

**PUBLIC NOTICE**

**INVITATION TO BID # 1036**

The Springfield Electric Department will be accepting sealed bids for the following wood poles:

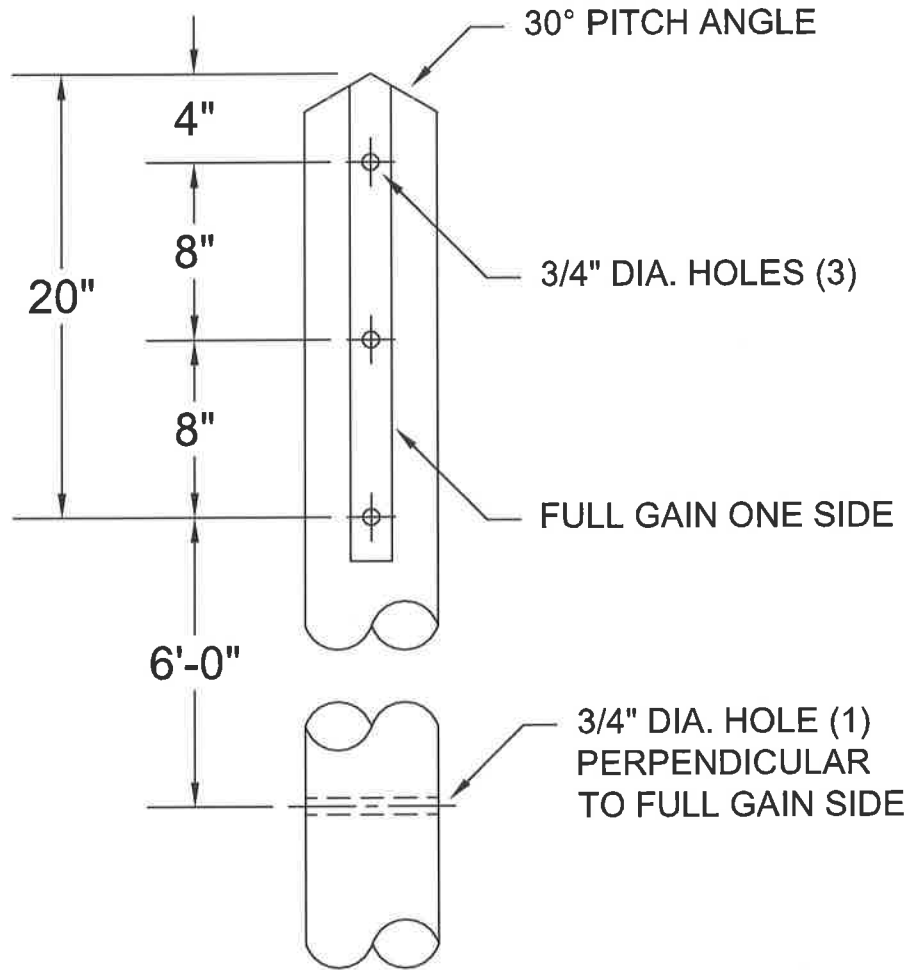
Fifty-four (54) ea., 35', class 5, .6# CCA treated wood pole.

Total Cubic Feet: 799.2

Specifications may be picked up at the Springfield Electric Department, 1000 Central Ave., during normal business hours or downloaded at [www.springfield-tn.org](http://www.springfield-tn.org). Call Robert Gardner at (615)384-6770 ext. 125 with questions. Bids must be received in the Office of the City Recorder, 405 North Main Street, Springfield, TN 37172 by 2:15 pm local time, Thursday, August 24, 2017.

The City of Springfield reserves the right to reject any or all bids.

Lisa H. Crockett  
City Recorder



Springfield Electric Department  
Wood Pole Specification  
(Revised 1-30-2014)

General Specifications:

- (1) All poles to be Southern yellow pine, ASA Class and length shall be as specified in the accompanying purchase order.
- (2) All poles shall meet the latest revision of ANSI 05.1 and ANPA standards for treatment of .60 lbs/cu.ft.
- (3) All poles shall be treated as specified in bid invitation.
- (4) All poles shall be inspected (unless otherwise specified).
- (5) All poles shall be shipped by truck unless otherwise specified, based on a full truckload of 800 ft<sup>3</sup>. DO NOT ADJUST POLE QUANTITIES OR SIZES.
- (6) Specify delivery date with bid. All vendors are expected to meet delivery date specified. Orders that do not meet delivery will be subject to cancellation.
- (7) Include unloading cost with bid.

# IRAN DIVESTMENT ACT NOTICE

Tenn. Code Ann. § 12-12-106 requires the chief procurement officer to publish, using credible information freely available to the public, a list of persons it determines engage in investment activities in Iran, as described in § 12-12-105.

For these purposes, the State intends to use the attached list of “Entities Ineligible to Contract with the State of South Carolina or any Political Subdivision of the State per the Iran Divestment Act of 2014, S.C. Code Ann §§ 11-57-10, et. Seq.”

While inclusion on the list would make a person ineligible to contract with the state of Tennessee, if a person ceases its engagement in investment activities in Iran, it may be removed from the list.

If you feel as though you have been erroneously included on this list, please contact the Central Procurement Office at [CPO.Website@tn.gov](mailto:CPO.Website@tn.gov).

NIKKI E. HALEY, CHAIR  
GOVERNOR

CURTIS M. LOFTIS, JR.  
COSTY TREASURER

RICHARD ECKSTROM, CPA  
COMPTROLLER GENERAL



OFFICE OF THE EXECUTIVE DIRECTOR

HUGH K. LEATHERMAN, SR.  
CHAIRMAN, SENATE FINANCE COMMITTEE

W. BRIAN WHITE  
CHAIRMAN, HOUSE WAYS AND MEANS  
COMMITTEE

List Date: July 1, 2016

---

**Entities Ineligible to Contract with the State of South Carolina or any  
Political Subdivision of the State per the Iran Divestment Act of 2014, S.C.  
Code Ann. §§ 11-57-10, et seq.**

---

- |  |  |
|--|--|
| 1. Abadan Petrochemical Co.                  | 36. Petro China Co. Ltd.                       |
| 2. Aban Offshore Ltd.                        | 37. Polskie Gornictwo Naftowe i Gazownictwo SA |
| 3. Arak Petrochemical Co.                    | 38. Royal Dutch Shell Plc                      |
| 4. Arvandan Oil & Gas                        | 39. Sepehr Energy                              |
| 5. Behran Oil Co.                            | 40. Shiraz Petrochemical Co.                   |
| 6. Bharat Petroleum Corporation Ltd.         | 41. Showa Shell Sekiyu K.K.                    |
| 7. China National Petroleum Corp. (CNPC)     | 42. Tabriz Oil Refining Co.                    |
| 8. China Petroleum & Chemical Corp           | 43. Total S.A.                                 |
| 9. Cosmo Energy Holdings Company Limited     | 44. Toyota Tsusho Corporation                  |
| 10. Dragon Oil Plc                           | 45. Tupras Turkiye Petrol Rafinerileri AS      |
| 11. Eni Spa                                  |  |
| 12. Esfahan Oil Refining Co.                 |  |
| 13. Essar Oil Ltd.                           |  |
| 14. Fanavaran Petrochemical Co.              |  |
| 15. Farabi Petrochemical Co.                 |  |
| 16. Gail (India) Ltd.                        |  |
| 17. Gazprom OAO                              |  |
| 18. Gubree Fabrikaları T.A.S.                |  |
| 19. Hindustan Petroleum Corporation Ltd.     |  |
| 20. Hyundai Heavy Industries                 |  |
| 21. Idemitsu Kosan Co. Ltd.                  |  |
| 22. Indian Oil Corporation Ltd.              |  |
| 23. JX Holdings, Inc.                        |  |
| 24. Koc Holding A.S.                         |  |
| 25. Lukoil Oil Co.                           |  |
| 26. Maire Tecnimont S.P.A.                   |  |
| 27. Mangalore Refinery & Petrochemicals Ltd. |  |
| 28. Mitsubishi Corporation                   |  |
| 29. Mitsui & Co. Ltd.                        |  |
| 30. National Iranian Oil Co.                 |  |
| 31. National Iranian South Oil Co.           |  |
| 32. Oil & Natural Gas Corporation Ltd.       |  |
| 33. Pardis Petrochemical Co.                 |  |
| 34. Pars Oil Co.                             |  |
| 35. Parsian Oil and Gas Development Co.      |  |

Contact [irandivestment@mmo.sc.gov](mailto:irandivestment@mmo.sc.gov) with questions regarding this list.

# IRAN DIVESTMENT ACT

“By the submission of this bid, each bidder and each person signing on behalf of any bidder certifies, and in the case of a joint bid each of a joint bid each party thereto certifies, and in the case of a joint bid each party thereto certifies as to its own organization, under penalty of perjury, that to the best of its knowledge and belief that each bidder is not a person included within the list created pursuant to § 12-12-106.”

Signature: \_\_\_\_\_

Date: \_\_\_\_\_

Title: \_\_\_\_\_