


SIGMA
CONSULTING
GROUP, INC.
1208 SUMMIT BOULEVARD, SUITE 32
PENSACOLA, FLORIDA 32503
PHONE: (850) 532-7912
CERTIFICATE OF AUTHORIZATION #26889

BOARD OF COUNTY
COMMISSIONERS
ESCAMBIA COUNTY, FLORIDA
ENGINEERING DEPARTMENT



GLYN FORD
BOARDWALK UPGRADES
OVERVIEW

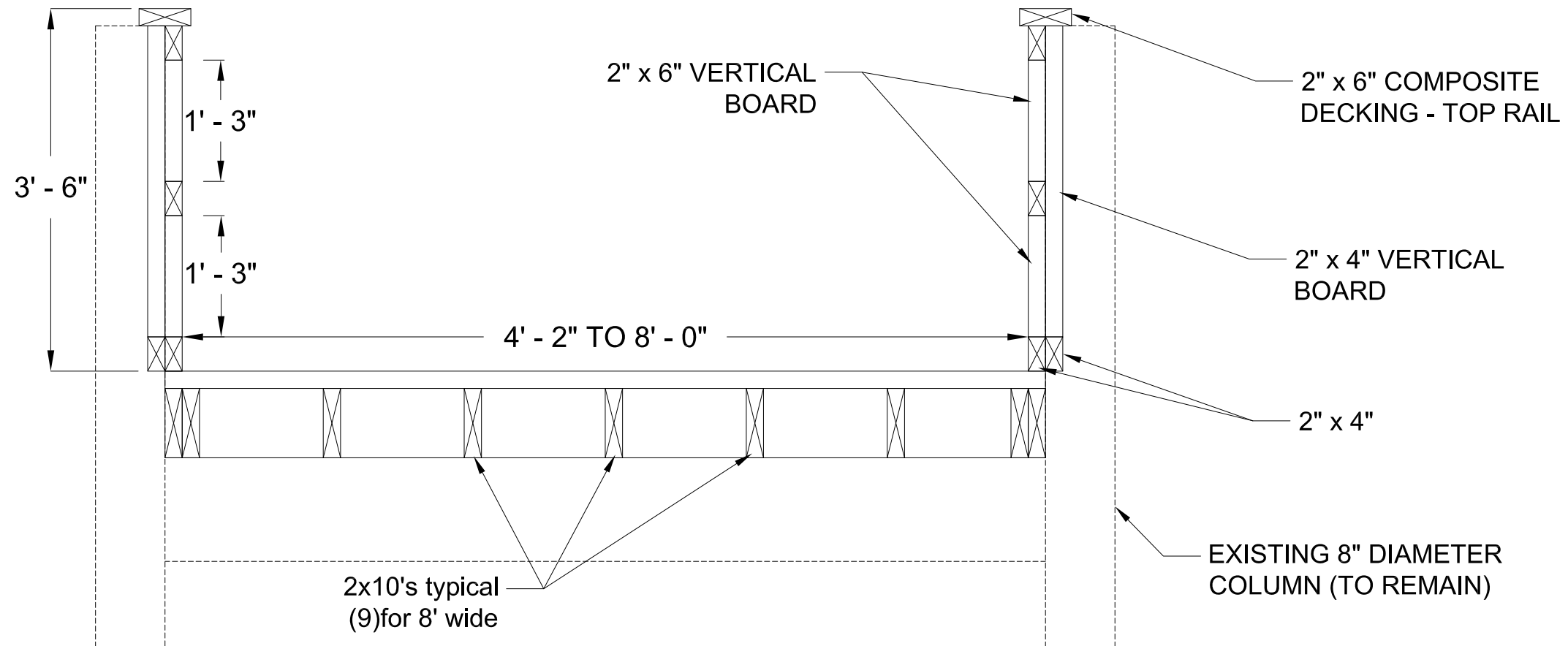
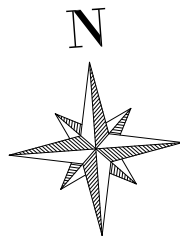
NO.	REVISION	DATE

Project Number:
180406
Date:
SEPTEMBER 2018
Drawn By:
F.E.A.
Designed By:
F.E.A.
Checked By:
J.L.L.
Sheet:
1

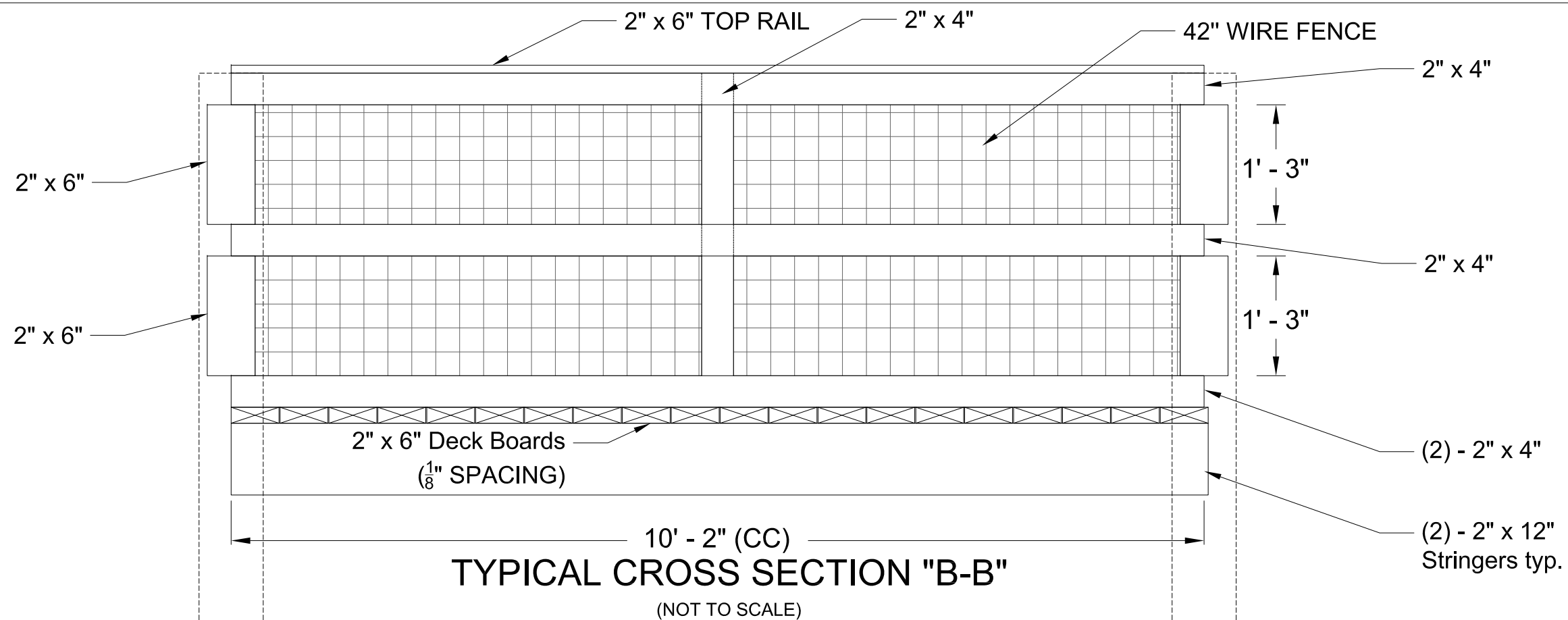
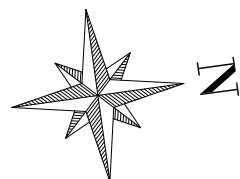
JASON L. LASHLEY
NAME
PRELIMINARY
SEE TITLE BLOCK
DATE:
57353
LICENSE NO.

THIS DOCUMENT IS NOT TO BE USED FOR
CONSTRUCTION, BIDDING, RECORDATION
CONVEYANCE, SALES OR AS THE BASIS
FOR THE ISSUANCE OF A PERMIT

C:\Projects\Director\180406 - 2018 Miscellaneous Engineering Services\03m Ford Boardwalk\01805 (000 Drawings)\DWG\18040601.dwg Oct 18, 2018 - 11:56:52AM sigma



TYPICAL CROSS-SECTION "A-A"
(NOT TO SCALE)



TYPICAL CROSS SECTION "B-B"
(NOT TO SCALE)

SIGMA
CONSULTING
GROUP, INC.

3208 SUMMIT BOULEVARD, SUITE 32
PENSACOLA, FLORIDA 32503
PHONE: (850) 332-7912
CERTIFICATE OF AUTHORIZATION #26889

BOARD OF COUNTY
COMMISSIONERS
ESCAMBIA COUNTY, FLORIDA
ENGINEERING DEPARTMENT

GLYN FORD
BOARDWALK UPGRADES
TYPICAL SECTIONS

NO.	REVISION	DATE

Project Number:
180406

Date:
SEPTEMBER 2018

Drawn By:
F.E.A.

Designed By:
F.E.A.

Checked By:
J.L.L.

Sheet:
2



THIS DOCUMENT IS NOT TO BE USED FOR
CONSTRUCTION, BIDDING, RECORDATION
CONVEYANCE, SALES OR AS THE BASIS
FOR THE ISSUANCE OF A PERMIT