

# N30

## CHRISTY®

### COVER

Style:	Flush
Material:	Composite with UV Inhibitor
Model:	14" x 23"
Weight:	44 lbs
Options:	Special Markings
Surface:	Skid Resistant & Marked*
Coefficient of Friction:	>0.6 ASTM 1028
Performance:	ASTM C 857, WUC 3.6

Cover comes standard with permanent markings for manufacturer, load rating, model size and manufacturing location.

### BODY

Material:	Reinforced Concrete with Composite Cap
Model:	18" x 27"
Weight:	138 lbs
Wall Type:	Straight
Mouseholes:	0 - 2
Performance:	ASTM C 857, WUC 3.6

### EXTENSION

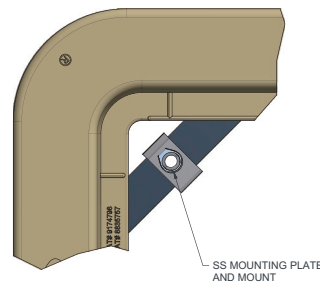
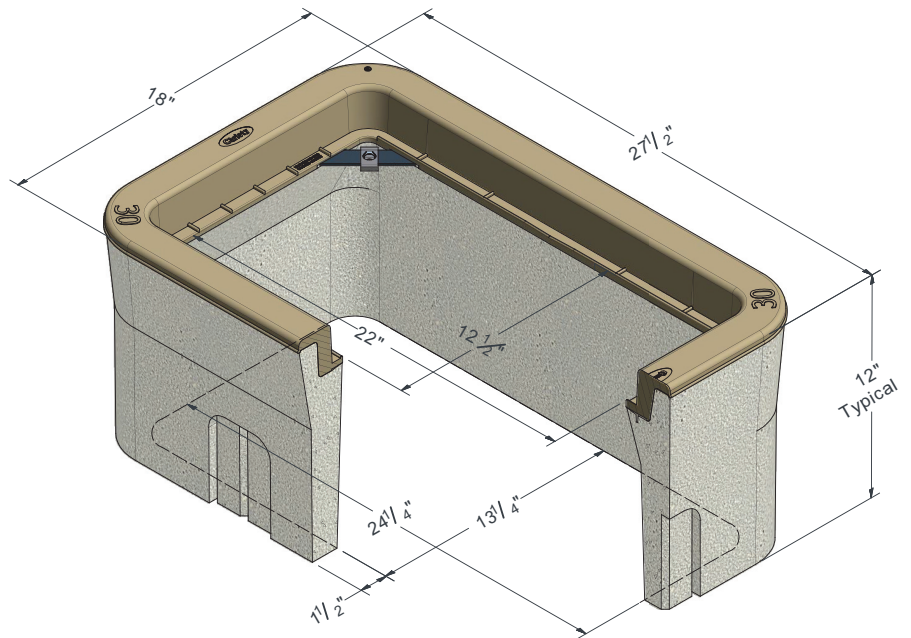
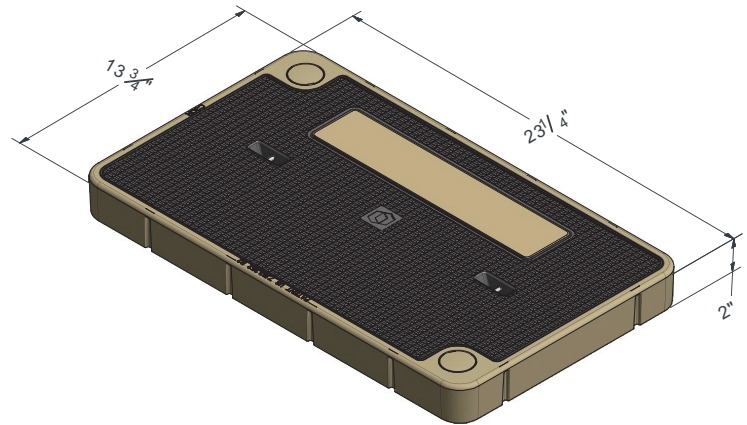
Material:	Reinforced Concrete
Depth:	12"
Weight:	116 lbs

### LOAD RATING / NOTES



LIGHT DUTY  
PEDESTRIAN / GREENBELT

For use in non-vehicular traffic situations only. Weights and dimensions may vary slightly. Actual load rating is determined by the box and cover combination.



Bolt Down Detail

# N30

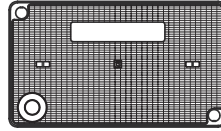
CHRISTY®

## COVER OPTIONS

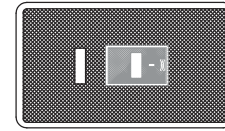
- R-Series, Flush Solid
- R-Series, Flush with AMR Opening
- Concrete, Flush with Cast Iron Reader Door
- Concrete, Flush with Concrete Reader Lid
- Steel Checker Plate, Solid
- Steel Checker Plate, with Reader Door

## COVER OPTIONS

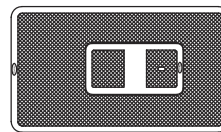
- Bolt Down Locking (R-Series Covers)
- Galvanizing (Steel Covers)
- EMS Marker



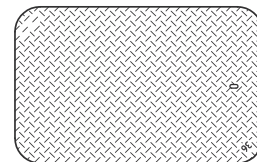
R-Series  
with AMR Opening



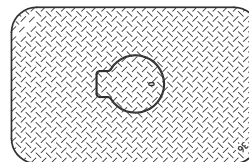
Concrete with  
Cast Iron Reader Door



Concrete with  
Concrete Reader Lid



Steel Checker Plate



Steel with 8" Round  
Reader Door

**WARNING:** Cancer and Reproductive Harm - [www.P65Warnings.ca.gov](http://www.P65Warnings.ca.gov)

All information contained on this sheet is current at the time of publication.  
Oldcastle reserves the right to discontinue or update product information without notice.

Revision 12/06/18  
© 2018 Oldcastle Infrastructure