



# CB 1 Series

Installation | Configuration | Operation | Troubleshooting

## Administrator Guide



**Code Blue**<sup>®</sup>

800.205.7186 • [www.codeblue.com](http://www.codeblue.com)



## WARNING

ONLY QUALIFIED PERSONNEL SHOULD INSTALL THESE UNITS. THE INSTALLATION SHOULD CONFORM TO ALL LOCAL CODES. IN SOME COUNTRIES, A CERTIFIED ELECTRICIAN MAY BE REQUIRED.

## NOTICE TO USERS

Copyright © Code Blue Corporation. All rights reserved. This guide or software described herein, in whole or part, shall not be reproduced, translated or reduced to any machine-readable form without prior written approval from Code Blue Corporation.

CODE BLUE CORPORATION PROVIDES NO WARRANTY WITH REGARD TO THIS GUIDE, THE SOFTWARE OR OTHER INFORMATION CONTAINED HEREIN AND HEREBY EXPRESSLY DISCLAIMS ANY IMPLIED WARRANTIES OF MERCHANTABILITY OR FITNESS FOR ANY PARTICULAR PURPOSE WITH REGARD TO THIS GUIDE, THE SOFTWARE OR SUCH OTHER INFORMATION. IN NO EVENT SHALL CODE BLUE CORPORATION BE LIABLE FOR ANY INCIDENTAL, CONSEQUENTIAL, OR SPECIAL DAMAGES, WHETHER BASED ON TORT, CONTRACT, OR OTHERWISE, ARISING OUT OF OR IN CONNECTIONS WITH THIS GUIDE, THE SOFTWARE OR OTHER INFORMATION CONTAINED HEREIN OR THE USE THEREOF.

Code Blue Corporation reserves the right to make any modifications to this guide or the information contained herein at any time without notice. The software described herein may also be governed by the terms of a separate user license agreement.

Code Blue® is a registered trademark of Code Blue Corporation.



### Table of Contents

(NOTE: Phone programming instructions can be found in the IP5000 and IA4100 Guides.)

Section	Page
2 Introduction.....	5
3 Getting Started.....	7
4 Spare Parts.....	9
5 Power Requirements.....	12
6 Legacy Power Requirements.....	15
7 Software Configuration.....	17
8 CB 1-e DIN Rail 24-277V Exploded View.....	18
9 CB 1-e DIN Rail PoE Exploded View.....	19
10 Legacy CB 1-e Low Voltage Exploded View.....	20
11 Legacy CB 1-e High Voltage Exploded View.....	21
12 CB 1-s DIN Rail 24-277V Exploded View.....	22
13 CB 1-s DIN Rail PoE Exploded View.....	23
14 Legacy CB 1-s Low Voltage Exploded View.....	24
15 Legacy CB 1-s High Voltage Exploded View.....	25
16 CB 1-s with Dual Faceplates DIN Rail 24-277V Exploded View.....	26
17 CB 1-s with Dual Faceplates DIN Rail PoE Exploded View.....	27
18 Legacy CB 1-s with Dual Faceplates Low Voltage Exploded View..	28
19 Legacy CB 1-s with Dual Faceplates High Voltage Exploded View.	29
20 CB 1-w Exploded View.....	30
21 How to Replace LED Light Connectors.....	31
22 CB 1-e and CB 1-s Installation Instructions.....	33
23 CB 1 Series Tower Base Gasket Installation Instructions.....	35
24 CB 1-s with AED Housing Installation Instructions.....	37
25 CB 1-w Installation Instructions.....	39
26 Cellular Retro Instructions.....	42
27 CB 1 Series Anchor Bolt Installation Instructions.....	47
28 Overhead Camera Mount Installation Instructions.....	48
29 Line Power Installation Instructions.....	50
30 CB 1 Series Public Address Installation Instructions.....	51
31 NightCharge® Installation Instructions.....	53



<b>32</b>	<b>Solar and WindAssist™ Installation Instructions.....</b>	<b>55</b>
<b>33</b>	<b>AED Access Instructions.....</b>	<b>59</b>
<b>34</b>	<b>S-1000/S-1050 Installation Instructions.....</b>	<b>60</b>
<b>35</b>	<b>LED Retro Area Light Installation Instructions.....</b>	<b>62</b>
<b>36</b>	<b>PoE Installation Instructions.....</b>	<b>66</b>
<b>37</b>	<b>Standard Installation Instructions.....</b>	<b>67</b>
<b>38</b>	<b>Blank Ring Installation Instructions.....</b>	<b>68</b>
<b>39</b>	<b>CB 1 Series Deck Mount Installation Instructions.....</b>	<b>69</b>
<b>40</b>	<b>CB 1-e and CB 1-s 24V or Multi-Tap Power Brick Wiring (prior 2015).....</b>	<b>70</b>
<b>41</b>	<b>CB 1-e and CB 1-s 24V or Multi-Tap Power Brick Wiring (current).....</b>	<b>71</b>
<b>42</b>	<b>CB 1-e and CB 1-s Standard Wiring (after 2015) (with 24V Fuse Block).....</b>	<b>72</b>
<b>43</b>	<b>CB 1-e and CB 1-s Standard Wiring (prior to 3/2013) (with Hammond Transformer).....</b>	<b>73</b>
<b>44</b>	<b>CB 1-e 120V Standard Wiring Diagram (after 2015) (with Triad Transformer).....</b>	<b>74</b>
<b>45</b>	<b>CB 1 Series DIN Rail NightCharge Wiring.....</b>	<b>75</b>
<b>46</b>	<b>CB 1 Series Standard NightCharge Wiring.....</b>	<b>76</b>
<b>47</b>	<b>CB 1 Series with Public Address Wiring.....</b>	<b>77</b>
<b>48</b>	<b>CB 1-w Standard Wiring.....</b>	<b>79</b>
<b>49</b>	<b>GSM Wireless Wiring Diagram.....</b>	<b>80</b>
<b>50</b>	<b>CB 1-s with AED, Public Address and IP Wireless.....</b>	<b>81</b>
<b>51</b>	<b>CB 1-s with AED Wiring.....</b>	<b>82</b>
<b>52</b>	<b>Multi-Tap Transformer Wiring.....</b>	<b>83</b>
<b>53</b>	<b>Maintenance Schedule.....</b>	<b>84</b>
<b>54</b>	<b>CB 1-s with AED Access and Maintenance.....</b>	<b>86</b>
<b>55</b>	<b>Locating Unit Serial Numbers.....</b>	<b>87</b>
<b>56</b>	<b>Warranty.....</b>	<b>88</b>
<b>57</b>	<b>Download Information.....</b>	<b>89</b>



## 2 Introduction

Thank you for choosing the **CB 1 Series** for your Code Blue application.

The **CB 1 Series** of products are the original Code Blue pedestal units that set the industry standard for rugged construction, full feature availability and high visibility. The **CB 1 Series** is easily recognized throughout a full 360-degree area. The user friendly lighted faceplate and the integral area light ensure rapid location in an open environment. The high output strobe is easily identifiable by security when activated.

The **CB 1 Series** is an excellent choice for walkways, parks, college and commercial campus areas, open landscape areas and anywhere a freestanding pedestal unit is required.

The exclusive analog InterAct and VoIP speakerphones are designed for maximum reliability, vandal resistance, auxiliary functions, mass notification control, and fault monitoring and reporting capability. (See IA4100 or IP5000 guides for more information.)

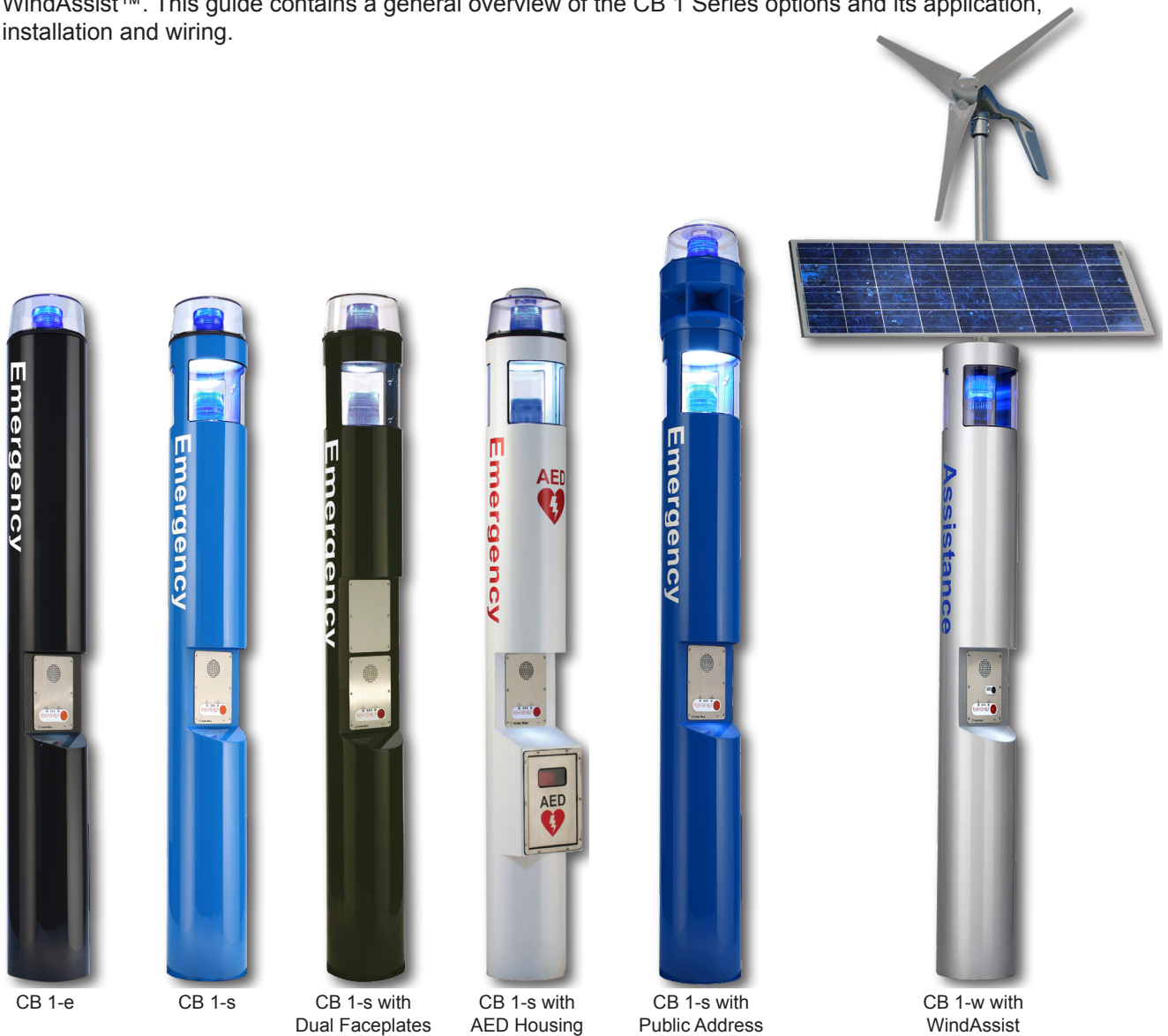
Our unmistakable craftsmanship makes our Help Points® the most rugged on the market, withstanding the punishment of natural and man-made disasters. With durable construction, our pedestal units can meet any requirement or purpose. **CB 1 Series** units have a rugged steel construction, shatterproof Lexan Lens, industrial engineering grade reflective graphics and weather, UV and graffiti resistant paint. They are illuminated by a high-powered, 270 lumens/92 candela LED blue beacon/strobe.

Other options include:

- IP and analog phones
- Long-life LED area light
- Low power consumption LED faceplate light
- Camera and card reader openings
- Temperature controlled automated external defibrillator (AED) housing
- 360° Public Address Speaker (PAS)
- Color IP camera
- Custom cut-out stainless steel plates
- Mounting rings
- Overhead Camera Mount
- Second opening



This guide contains all of the CB 1 Series information for the CB 1-e, CB 1-s and the CB 1-w with WindAssist™. This guide contains a general overview of the CB 1 Series options and its application, installation and wiring.





### 3 Getting Started

#### Basic Install Instructions

1. EIA/TIA, ANSI, CSA and BICSI cabling or similar standards shall be adhered to for proper operation of Code Blue communication devices connected to copper or fiber infrastructures. Communications cable and electrical cable in the same conduit is not an acceptable installation and shall not be supported. Analog phones require a minimum of 23mA for proper operation (26-29mA recommended).
2. Each analog speakerphone requires its own phone line or PBX extension. Multiple units shall not be supported.
3. Speakerphones require programming before operation. Consult the User Guide or Administrator Guide enclosed with the unit or visit [www.codeblue.com](http://www.codeblue.com) > Support > Downloads to read or download manuals.
4. If you are installing IP speakerphones, please read the appropriate manuals and consult with your Network Administrator.
5. Size electrical wiring based on length of run.
6. Consult the enclosed document packet for internal wiring instructions.

#### What's Included

Quantity	Part Description
1	Anchor Bolt Kit (4 L-Bolts, 8 Washers, 4 Hex Nuts, 1 Cardboard Template)
1	Security Bit
1	Enclosure
2	Access Door Screws
2	Key fobs – CB1-s w/AED only
1	URL listing sheet of Installation, Programming, Wiring & Warranty locations
2	55AMP Batteries (Solar Only)
1	55AMP Battery (NightCharge® Only)
1	PAS Top (PAS Option Only)
1	Dome Top Assembly (Solar not Included)
1	WindAssist™ (Solar Option Only)



#### **CB 1-e and CB 1-s Tools Required**

1. Ladder to reach the top of the units
2. Drill and security bit for removing and inserting security screws on phone, dome top and access door
3. 11/8 socket set and extension for installing anchor bolts or Deck Mount Kits
4. 3/8 socket set to mount the mounting plate containing the new toroid transformer (PAS only)
5. Phillips head screwdriver and flat head screwdriver
6. 1/2-inch wrench for NightCharge® batteries, if required

#### **CB 1-s with AED Tools Required**

1. Ladder to reach the top of the units
2. Drill and security bit for removing and inserting security screws on phone, dome top and access door
3. 11/8 socket set and extension for installing anchor bolts
4. Phillips head screwdriver and flat head screwdriver

#### **CB 1-w with WindAssist™ Tools Required**

1. Ladder to reach the top of the units
2. Drill and security bit for removing and inserting security screws on phone, dome top and access door
3. 11/8 socket set and extension for installing anchor bolts
4. Phillips head screwdriver and flat head screwdriver
5. 1/2-inch wrench for solar batteries





## 4 Spare Parts

### CB 1-e

Part	Part Number
LED Strobe Light	40159
Dome Top Lens	41402
LED Faceplate Light	40196
Faceplate Screws	41544 (6pk)
Dome Top Screws	41500 (3pk)
Access Door Screws	41545 (2pk)
DIN Rail Assembly - Standard	40110
DIN Rail Assembly - PoE	40111
Analog Surge Suppressor	41471
IP Surge Suppressor	41421

### CB 1-s with Dual Faceplates

Part	Part Number
LED Strobe Light	40159
LED Area Light	41539
Dome Top Lens	41402
LED Faceplate Light	40196
Faceplate Screws	41544 (6pk)
Dome Top Screws	41500 (3pk)
Access Door Screws	41545 (2pk)
Blank Lexan Plate	40067
DIN Rail Assembly - Standard	40110
DIN Rail Assembly - PoE	40111
Analog Surge Suppressor	41471
IP Surge Suppressor	41421



### CB 1-s

Part	Part Number
LED Strobe Light	40159
Dome Top Lens	41402
LED Area Light	41539
LED Faceplate Light	40196
Faceplate Screws	41544 (6pk)
Dome Top Screws	41500 (3pk)
Access Door Screws	41545 (2pk)
DIN Rail Assembly - Standard	40110
DIN Rail Assembly - PoE	40111
Analog Surge Suppressor	41471
IP Surge Suppressor	41421

### CB 1-s with AED Housing

Part	Part Number
LED Strobe Light	40159
LED Area Light	41539
Dome Top Lens	41402
LED Faceplate Light	40196
Faceplate Screws	41544 (6pk)
Dome Top Screws	41500 (3pk)
Access Door Screws	41545 (2pk)
Manifold R/B 5-way	40101
Analog Surge Suppressor	41471
IP Surge Suppressor	41421
AED Housing Door Release Mechanism	41104
AED Housing Heater	41105
AED Housing Thermostat	41106
AED Housing Door Controller	41107
AED Housing Retro Fit Kit	40012



### CB 1-w

Part	Part Number
LED Strobe Light	40159
Dome Top Lens	41402
LED Faceplate Light	40196
Faceplate Screws	41544 (6pk)
Dome Top Screws	41500 (3pk)
Access Door Screws	41545 (2pk)
Solar Batteries (2)	41537

### CB 1-e and CB 1-s Additional Options

Part	Part Number
NightCharge®	45005
NightCharge Batteries (1)	41537
Public Address Top	Need Color for Part#
Overhead Camera Mount	Need Color for Part#
Multi-Tap Transformer (powers accessories) 120V, 240V, 277V	40104
Directory Plate Assembly	40056
Color IP Camera with Mounting Plate	41420
Blank Lexan Plate Assembly	40067
Service Plate - Lexan w/graphics (This Location Being Serviced)	40208
Blank Mounting Rings – 5.25 in, 5.25 in with Antenna post, 16.5 in	Need Color for Part#
Deck Mount Kit	40215



### 5 Power Requirements (2020)

(The following power requirements include the 1 Series and also **ALL OTHER** Code Blue units.)

Faceplates	Voltage	Max Current	Max Watts	Norm Current	Norm Watts	KWHrs
IA4100	24V AC	0.40	9.60	0.22	5.28	0.13
	12V DC	0.90	10.80	0.39	4.68	0.11
	24V DC	0.90	21.60	0.39	9.36	0.22
IP5000	24V AC	0.10	2.40	0.07	1.68	0.04
	12V DC	0.19	2.28	0.15	1.8	0.04
	24V DC	0.19	4.56	0.15	3.6	0.09
Centry®	12V DC	0.50	6.00	0.38	4.56	0.11
Lights	Voltage	Max Current	Max Watts	Norm Current	Norm Watts	KWHrs
S-1000 LED Strobe	24V AC	2.80	67.20	0.22	5.28	0.13
	12V DC	0.26	3.12	0.24	2.88	0.07
	24V DC	0.26	6.24	0.24	5.76	0.14
A-700 Area Light	24 VAC	1.80	43.20	0.83	19.92	0.48
	12V DC	2.68	32.16	0.38	4.56	0.11
	24V DC	2.68	64.32	0.38	9.12	0.22
S-1050 LED Strobe w/ Photocell	24V AC	2.80	67.20	0.22	5.28	0.13
	12V DC	2.68	32.16	0.38	4.56	0.11
	24V DC	2.68	64.32	0.38	9.12	0.22
LED Light Bar	24V AC	0.04	0.96	0.04	0.96	0.02
	12V DC	0.04	0.48	0.04	0.48	0.01
	24V DC	0.04	0.96	0.04	0.96	0.02
WM-180 PAS with LED Strobe	24V AC	7.30	175.20	2.10	50.4	1.21

High Voltage AC Components	Voltage	Current	Watts	KWHrs
Multi-Tap Power Supply	120V AC	1.75A/210VAC	210	5.04
Din Rail Power Supply	120V AC	1.2A/115VAC	115	2.76
Heater -AED	120V AC	1.6	192	4.61
DC - PS AED	120V AC	2.6	312	7.49
PAS Amp	120V AC	3.83	459.6	11.03

High Voltage Models	Voltage	Current	Watts	KWHrs
CB 1 AED	120V AC	3.35	402	9.6
CB 2 AED	120V AC	3.35	402	9.6
CB 1 PAS	120V AC	3.83	460	11
CB 5 PAS	120V AC	3.33	400	9.6
CB 1-s w/ NightCharge®	120V AC	2.5	300	2.4
CB 4-u w/ NightCharge®	120V AC	2.5	300	2.4



### Power Requirements continued

Models With IA4100 Faceplate	Voltage	Current	Watts	KWHrs
CB 1-e	24V AC	0.48	11.52	0.28
	12V DC	0.67	8.04	0.19
	24V DC	0.67	16.08	0.39
CB 1-s	24V AC	1.31	31.44	0.75
	12V DC	1.05	12.60	0.30
	24V DC	1.05	25.20	0.60
CB 5-s/5-p	24V AC	0.48	11.52	0.28
	12V DC	0.67	8.04	0.19
	24V DC	0.67	16.08	0.39
CB 9-s	24V AC	0.26	6.24	0.15
	12V DC	0.43	5.16	0.12
	24V DC	0.43	10.32	0.25
CB 2-e	24V AC	0.44	10.56	0.25
	12V DC	0.63	7.56	0.18
	24V DC	0.63	15.12	0.36
CB 2-a	24V AC	0.48	11.52	0.28
	12V DC	0.67	8.04	0.19
	24V DC	0.67	16.08	0.39
CB 2-s	24V AC	1.31	31.44	0.75
	12V DC	1.05	12.60	0.30
	24V DC	1.05	25.20	0.60
CB 2-e W/ PAS	24V AC	6.44	154.56	3.71
CB 4-s	24V AC	0.22	5.28	0.13
	12V DC	0.39	4.68	0.11
	24V DC	0.39	9.36	0.22
CB 4-r	24V AC	0.26	6.24	0.15
	12V DC	0.43	5.16	0.12
	24V DC	0.43	10.32	0.25
CB 4-u	24V AC	0.26	6.24	0.15
	12V DC	0.43	5.16	0.12
	24V DC	0.43	10.32	0.25
Surface Mount/Flush Mount	24V AC	0.22	5.28	0.13
	12V DC	0.39	4.68	0.11
	24V DC	0.39	9.36	0.22
CB RT	24V AC	1.10	26.33	0.63
	12V DC	0.81	9.75	0.23
	24V DC	1.61	38.57	0.93



### Power Requirements continued

Models With IP5000 Faceplate	Voltage	Current	Watts	KWHrs
CB 1-e	24V AC	0.33	7.92	0.19
	12V DC	0.43	5.16	0.12
	24V DC	0.43	10.32	0.25
CB 1-s	24V AC	1.16	27.84	0.67
	12V DC	0.81	9.72	0.23
	24V DC	0.81	19.44	0.47
CB 5-s/5-p	24V AC	0.33	7.92	0.19
	12V DC	0.43	5.16	0.12
	24V DC	0.43	10.32	0.25
CB 9-s	24V AC	0.11	2.64	0.06
	12V DC	0.19	2.28	0.05
	24V DC	0.19	4.56	0.11
CB 2-e	24V AC	0.29	6.96	0.17
	12V DC	0.39	4.68	0.11
	24V DC	0.39	9.36	0.22
CB 2-a	24V AC	0.33	7.92	0.19
	12V DC	0.43	5.16	0.12
	24V DC	0.43	10.32	0.25
CB 2-s	24V AC	1.16	27.84	0.67
	12V DC	0.81	9.72	0.23
	24V DC	0.81	19.44	0.47
CB 2-e / PAS	24V AC	6.44	154.56	3.71
CB 4-s	24V AC	0.07	1.68	0.04
	12V DC	0.15	1.8	0.04
	24V DC	0.15	3.6	0.09
CB 4-r	24V AC	0.11	2.64	0.06
	12V DC	0.19	2.28	0.05
	24V DC	0.19	4.56	0.11
CB 4-u	24V AC	0.11	2.64	0.06
	12V DC	0.19	2.28	0.05
	24V DC	0.19	4.56	0.11
Surface Mount/Flush Mount	24V AC	0.07	1.68	0.04
	12V DC	0.15	1.8	0.04
	24V DC	0.15	3.6	0.09
CB RT	24V AC	1.21	28.96	0.70
	12V DC	1.03	12.37	0.30
	24V DC	1.13	27.10	0.65



### 6 Legacy Power Requirements

(The following power requirements include the 1 Series and also **ALL OTHER** Code Blue units.)

#### 24V AC Component Specs

AC low Voltage Components	AC Volts	Current (MAX)	Watts MAX	Watts (24)Hrs	KWHrs	Current (Norm)	Watts Norm	Watts (24) Hrs	KWHrs
IA4100	24.0	0.40	9.6	230.4	0.2	0.22	5.3	126.7	0.1
IP5000	24.0	0.07	1.7	40.3	0.0	0.10	2.4	57.6	0.1
LED Light Bar	24.0	0.04	1.0	23.0	0.0	0.04	1.0	23.0	0.0
HP LED Strobe S-1000	24.0	0.22	5.3	126.7	0.1	0.22	5.3	126.7	0.1
HP LED w/photocell S-1050	24.0	0.22	5.3	126.7	0.1	0.22	5.3	126.7	0.1
A-700 LED Area Light	24.0	1.80	43.2	1036.8	1.0	0.83	19.9	478.1	0.5
AC to DC Converter	24.0	5.00	120.0	2880.0	2.9	2.00	48.0	1152.0	1.2

#### 12V DC Components Specs

DC   Voltage Components	DC Volts	Current (MAX)	Watts MAX	Watts (24)Hrs	KWHrs	Current Nominal	Watts Nom	Watts (24_ Hrs	KWHrs
IA4100	12.0	0.90	10.8	259.2	0.26	0.39	4.68	112.32	0.11
IP5000	12.0	0.19	2.3	54.7	0.05	0.15	1.80	43.20	0.04
HP LED Strobe S-1000	12.0	0.26	3.1	74.9	0.07	0.24	2.88	69.12	0.07
HP LED w/photocell	12.0	0.26	3.1	74.9	0.07	0.24	2.88	69.12	0.07
LED Area Light A-700	12.0	2.68	32.2	771.8	0.77	0.38	4.56	109.44	0.11
LED Light Bar	12.0	0.04	0.5	11.5	0.01	0.04	0.48	11.52	0.01
A-700 DC	12.0	2.68	32.2	771.8	0.77	0.36	4.32	103.68	0.10

#### Special Models Max Consumption

Model	Pri AC	Current	Watts	WHR Max (24 hrs)	KWh Max	KWHrs a Year
CB 2-e w/AED	120	3.31	397.2	9532.8	9.5	3479.47
CB 1 w/AED	120	3.31	397.2	9532.8	9.5	3479.47
CB 1 w/PAS 460w	120	3.83	459.6	11030.4	11.0	4026.10
CB 2-e w/PAS 150w	24	3.86	92.6	2223.4	2.2	811.53
CB 5-s w/PAS 400w	120	3.33	399.6	9590.4	9.6	3500.50

#### 120V (9-2013) Combined Specs

Model	Pri AC	Current	Watts	Watt Hours Max (24 Hrs)	KWh Max
CB 1-s	120	1.71	205.2	4924.8	4.9
CB 1s Dual	120	1.71	205.2	4924.8	4.9
CB 1-s w/NightCharge®, GSM	120	2.50	300.0	2400.0	2.4
CB 2-s	120	1.71	205.2	4924.8	4.9
CB 4-u w/NightCharge®, GSM	120	2.50	300.0	2400.0	2.4



### 24V AC Combined Specs w/IA4100 Normal

Model	AC Volts	Current	Amp Hours (24)	Watts	Wh (24hrs)	KWh a day	KWHrs a Year
CB 1-e	24	0.48	11.52	11.52	276.48	0.28	100.92
CB 1-s	24	1.31	31.44	31.44	754.56	0.75	275.41
CB 2-e	24	0.48	11.52	11.52	276.48	0.28	100.92
CB 2-s	24	1.31	31.44	31.44	754.56	0.75	275.41
CB 4-s	24	0.22	5.28	5.28	126.72	0.13	46.25
CB 4-r	24	0.26	6.24	6.24	149.76	0.15	54.66
CB 5-s	24	0.48	11.52	11.52	276.48	0.28	100.92
CB 5-s w/dec top	24	0.36	8.64	8.64	207.36	0.21	75.69
CB 5-p	24	0.48	11.52	11.52	276.48	0.28	100.92
CB 6-s	24	0.22	5.28	5.28	126.72	0.13	46.25
CB 4-u	24	0.26	6.24	6.24	149.76	0.15	54.66
CB 9-s	24	0.26	6.24	6.24	149.76	0.15	54.66
CB 2-e w/PAS	24	3.86	92.64	92.64	2223.36	2.22	811.53

### Multi-tap Power Brick

Model	AC Volts	VA	Watts	Wh (24)	KWh a Day
FA-221 (Alternate Sup)	120.0	250.0	250.0	6000.00	6.00
H series (Main Sup)	120.0	250.0	205.0	4920.00	4.92

### AC Components

AC volt Components	AC Voltage	AC Current	AC Watts	Whr max(24 hrs)	KWh
Night Charge™	120.0	1.3	156.0	3744.0	3.7
Heater - AED	120.0	1.60	192.0	4608.0	4.6
DC PS - AED	120.0	2.60	312.0	7488.0	7.5
CB 1 w/PAS PS / Amp	120.0	3.83	459.6	11030.4	11.0
CB 2 w/PAS Amp	24.0	3.20	76.8	1843.2	1.8
LED Area Light	24.0	0.83	19.9	478.1	0.5
Power Brick	120.0	1.71	205.2	4924.8	4.9

### 24V AC Combined Specs w/IP5000 Normal

Model	AC Volts	Current	Amp Hours (24)	Watts	Wh (24hrs)	KWh a day	KWHrs a Year
CB 1-e	24	0.36	8.64	8.64	207.36	0.21	75.69
CB 1-s	24	1.19	28.56	28.56	685.44	0.69	250.19
CB 2-e	24	0.36	8.64	8.64	207.36	0.21	75.69
CB 2-s	24	1.19	28.56	28.56	685.44	0.69	250.19
CB 4-s	24	0.10	2.40	2.40	57.60	0.06	21.02
CB 4-r	24	0.14	3.36	3.36	80.64	0.08	29.43
CB 5-s	24	0.36	8.64	8.64	207.36	0.21	75.69
CB 5-s w/dec top	24	0.36	8.64	8.64	207.36	0.21	75.69
CB 5-p	24	0.66	15.84	15.84	380.16	0.38	138.76
CB 6-s	24	0.10	2.40	2.40	57.60	0.06	21.02
CB 4-u	24	0.26	6.24	6.24	149.76	0.15	54.66
CB 9-s	24	0.14	3.36	3.36	80.64	0.08	29.43
CB 2-e w/PAS	24	3.86	92.64	92.64	2223.36	2.22	811.53





## 7 Software Configuration

### Blue Alert® MNS Software

Blue Alert MNS (Mass Notification Software) fills a need in the marketplace for an incident response solution that is both comprehensive and cost-effective, while also providing an efficient way to detect and respond. The advanced mass notification system allows responders to deliver multi-layered emergency notifications via a wide range of platforms, including email, text message (SMS), emergency phones, public address speakers, social media, desktop alerts and more, quickly informing and directing people in emergency situations.

### Blue Alert® EMS

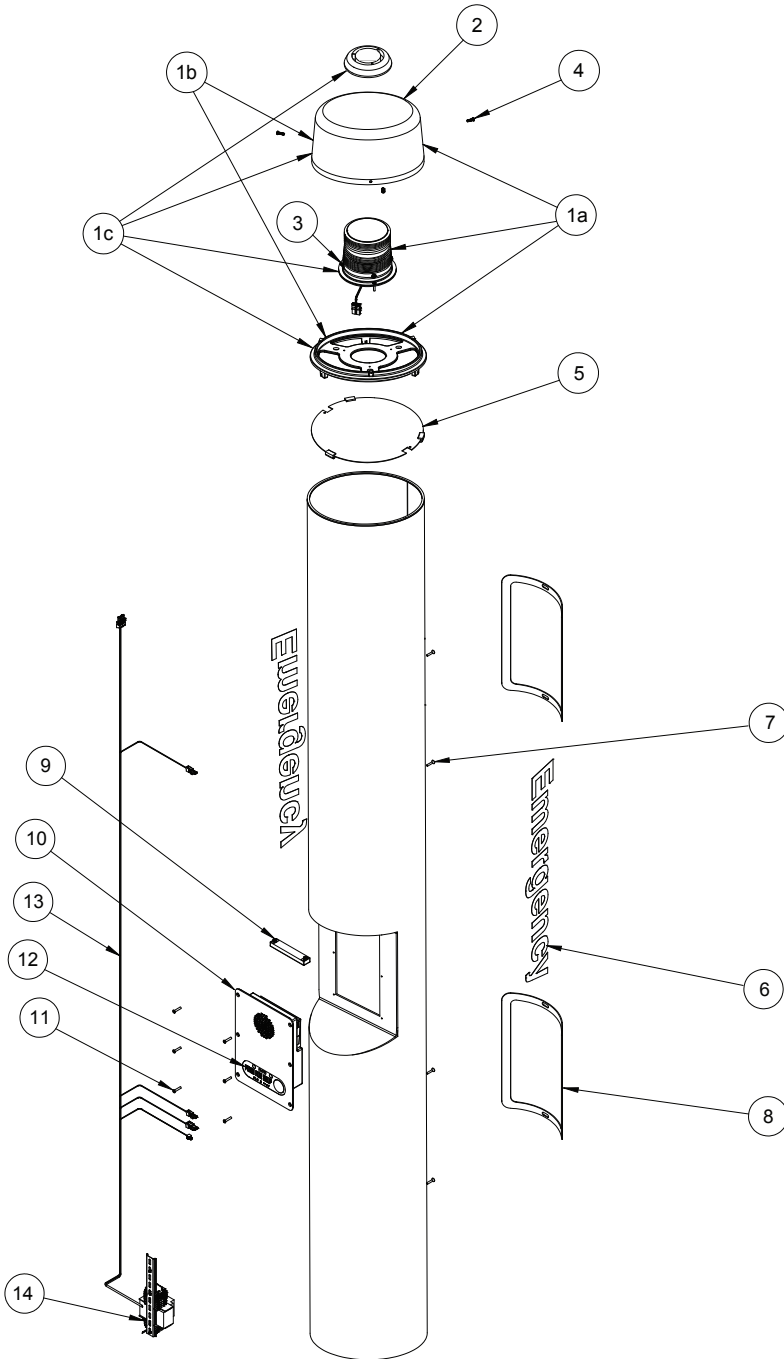
Blue Alert EMS is an advanced software solution that handles all incoming events effectively by remotely controlling emergency communication devices with an easy-to-use Graphical User Interface (GUI). You also will have the ability to open gates and AED access doors, turn LED beacon/strobes on or off, transfer calls to Public Address Systems to make area wide announcements and incorporate other ancillary devices and applications while the system securely archives data for future reference.

### ToolVox®

A sophisticated emergency management platform for your blue light phone network, ToolVox offers unique real-time monitoring and provisioning options for emergency phones and public address speakers, effectively acting as a hub for connecting Help Points® and other Code Blue devices. Using our proprietary incident response software, Blue Alert® MNS and EMS, you can send alerts via outdoor platforms, such as blue light phones and public address speakers. It also provides connections to PBX, public telephone (PSTN) and Internet (ISP) networks, in addition to third party security platforms.



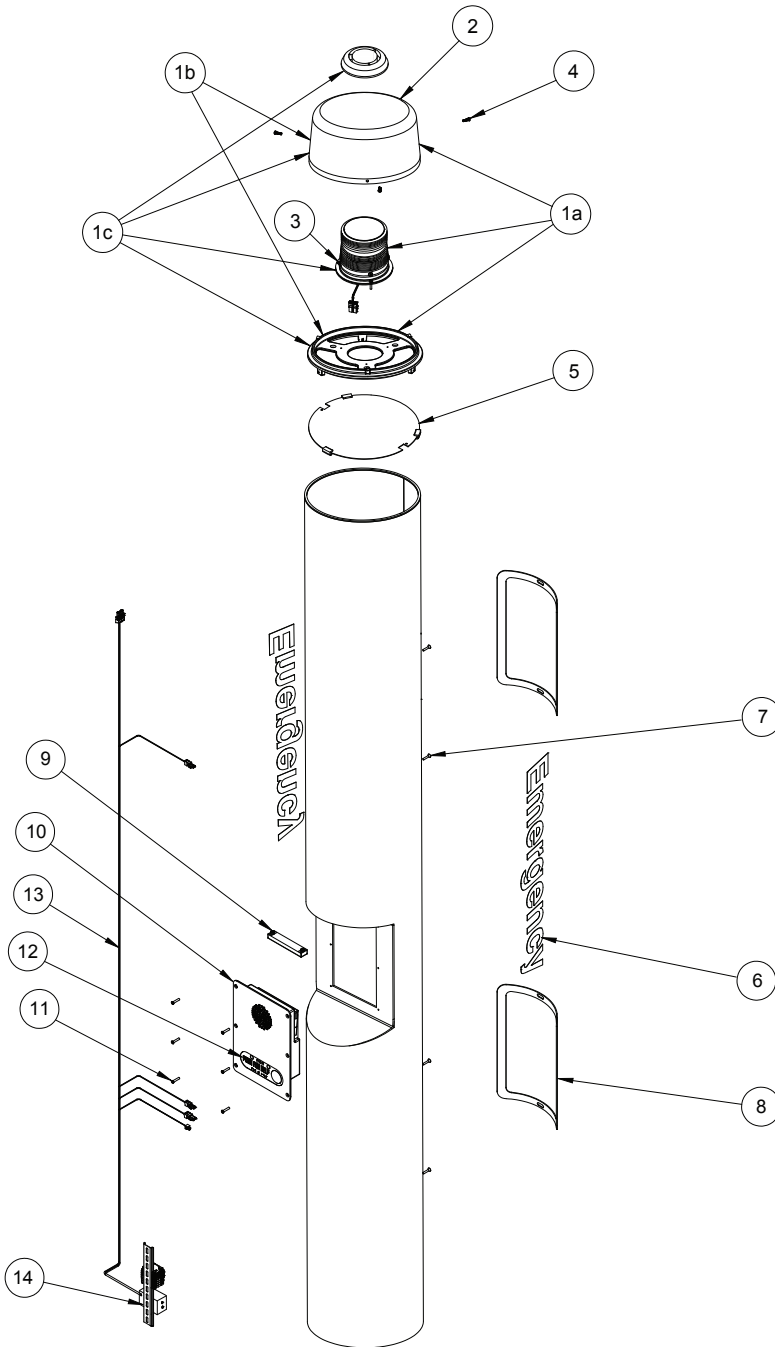
### 8 CB 1-e DIN Rail 24-277V Exploded View



BALL #	PART #	DESCRIPTION
1a	40260	Dome Top Kit with Strobe
1b	40165	Dome Top Kit w/o Strobe
1c	40166	Dome Top Kit w/o Strobe & Active Vent
2	41402	Dome Top Lens
3	40159	LED Blue Beacon Strobe
4	41500	Button Head Security Screws (3 pk)
5	40393	Reflective Disc
6	CALL	Standard / Custom Graphic
7	41545	Access Door Security Screws (2 pk)
8	40119	Gasket, Access Door
9	41548	LED Faceplate Light
10	50001	Single Button IA4100 Analog Phone – PUSH FOR HELP
10	50002	Double Button IA4100 Analog Phone – PUSH FOR HELP
10	50003	Keypad IA4100 Analog Phone – PUSH FOR HELP
10	50004	Single Button IA4100 Analog Phone – EMERGENCY
10	50005	Double Button IA4100 Analog Phone – EMERGENCY
10	50006	Keypad IA4100 Analog Phone – EMERGENCY
10	50101	Single Button IP5000 VoIP Phone – PUSH FOR HELP
10	50102	Double Button IP5000 VoIP Phone – PUSH FOR HELP
10	50103	Keypad IP5000 VoIP Phone – PUSH FOR HELP
10	50104	Single Button IP5000 VoIP Phone – EMERGENCY
10	50105	Double Button IP5000 VoIP Phone – EMERGENCY
10	50106	Keypad IP5000 VoIP Phone – EMERGENCY
11	41544	Faceplate Security Screw 10x24 (6 pk)
12	40357	Bezel Assembly IA4100 Analog Phone – PUSH FOR HELP
12	40407	Bezel Assembly IA4100 Analog Phone – EMERGENCY
12	40313	Bezel Assembly IP5000 VoIP Phone – PUSH FOR HELP
12	40405	Bezel Assembly IP5000 VoIP Phone – EMERGENCY
13	41116	114" 5-Connector Harness
14	40110	DIN Rail Assembly - Standard



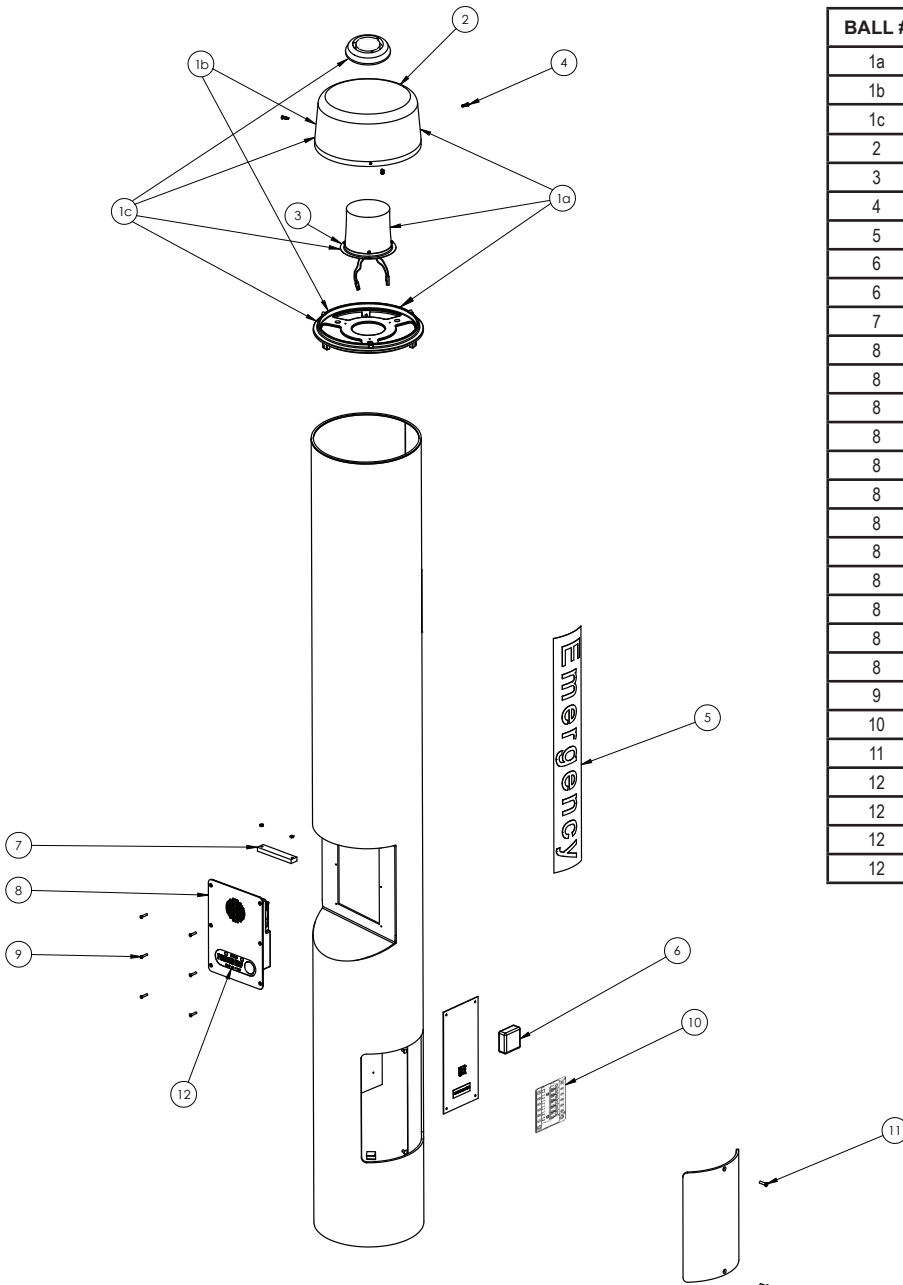
### 9 CB 1-e DIN Rail PoE Exploded View



BALL #	PART #	DESCRIPTION
1a	40260	Dome Top Kit with Strobe
1b	40165	Dome Top Kit w/o Strobe
1c	40166	Dome Top Kit w/o Strobe & Active Vent
2	41402	Dome Top Lens
3	40159	LED Blue Beacon Strobe
4	41500	Button Head Security Screws (3 pk)
5	40393	Reflective Disc
6	CALL	Standard / Custom Graphic
7	41545	Access Door Security Screws (2 pk)
8	40119	Gasket, Access Door
9	41548	LED Faceplate Light
10	50001	Single Button IA4100 Analog Phone – PUSH FOR HELP
10	50002	Double Button IA4100 Analog Phone – PUSH FOR HELP
10	50003	Keypad IA4100 Analog Phone – PUSH FOR HELP
10	50004	Single Button IA4100 Analog Phone – EMERGENCY
10	50005	Double Button IA4100 Analog Phone – EMERGENCY
10	50006	Keypad IA4100 Analog Phone – EMERGENCY
10	50101	Single Button IP5000 VoIP Phone – PUSH FOR HELP
10	50102	Double Button IP5000 VoIP Phone – PUSH FOR HELP
10	50103	Keypad IP5000 VoIP Phone – PUSH FOR HELP
10	50104	Single Button IP5000 VoIP Phone – EMERGENCY
10	50105	Double Button IP5000 VoIP Phone – EMERGENCY
10	50106	Keypad IP5000 VoIP Phone – EMERGENCY
11	41544	Faceplate Security Screw 10x24 (6 pk)
12	40357	Bezel Assembly IA4100 Analog Phone – PUSH FOR HELP
12	40407	Bezel Assembly IA4100 Analog Phone – EMERGENCY
12	40313	Bezel Assembly IP5000 VoIP Phone – PUSH FOR HELP
12	40405	Bezel Assembly IP5000 VoIP Phone – EMERGENCY
13	41116	114" 5-Connector Harness
14	40111	DIN Rail Assembly - PoE



### 10 Legacy CB 1-e Low Voltage Exploded View

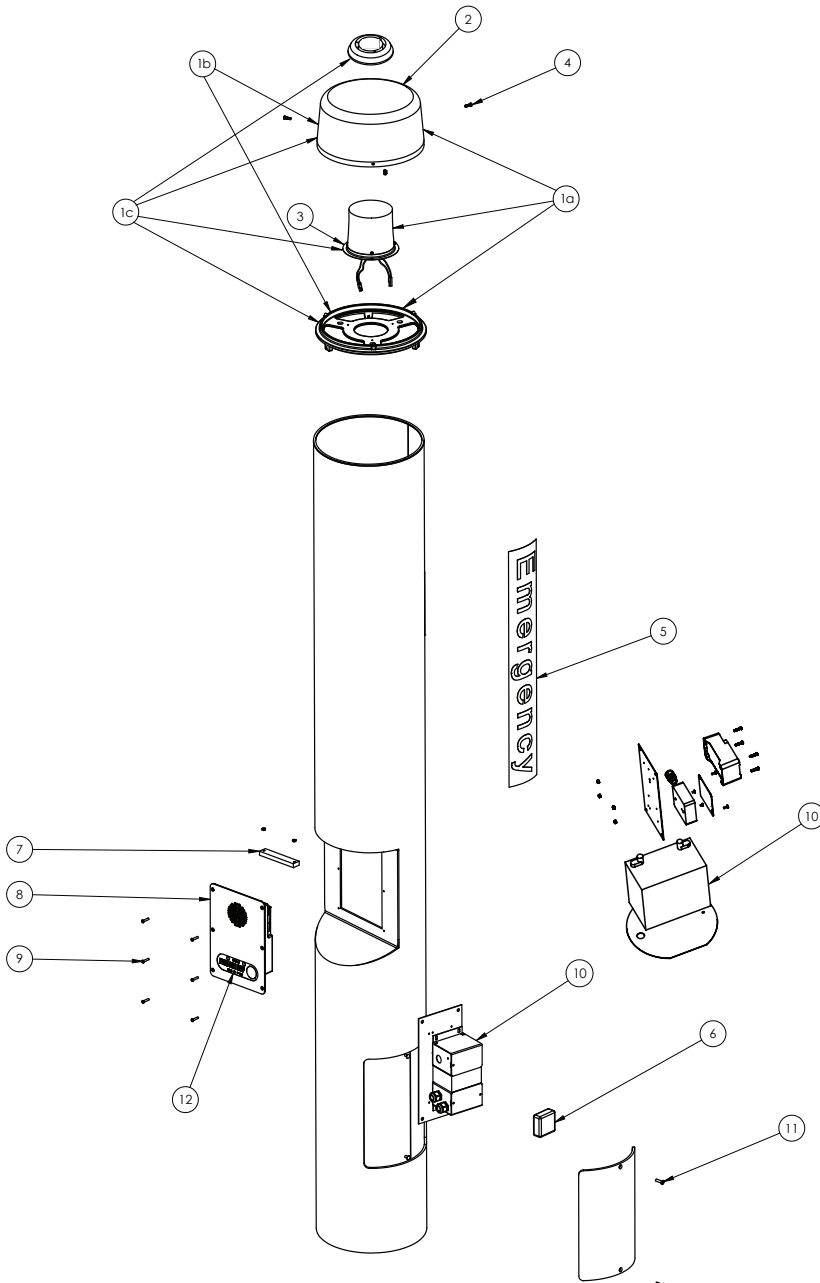


BALL #	PART #	DESCRIPTION
1a	40260	Dome Top Kit with Strobe
1b	40165	Dome Top Kit w/o Strobe
1c	40166	Dome Top Kit w/o Strobe & Active Vent
2	41402	Dome Top Lens
3	40159	LED Blue Beacon Strobe
4	41500	Button Head Security Screws (3 pk)
5	CALL	Standard / Custom Graphic
6	41471	Analog Surge Suppressor
6	41421	IP Surge Suppressor
7	41548	LED Faceplate Light
8	50001	Single Button IA4100 Analog Phone – PUSH FOR HELP
8	50002	Double Button IA4100 Analog Phone – PUSH FOR HELP
8	50003	Keypad IA4100 Analog Phone – PUSH FOR HELP
8	50004	Single Button IA4100 Analog Phone – EMERGENCY
8	50005	Double Button IA4100 Analog Phone – EMERGENCY
8	50006	Keypad IA4100 Analog Phone – EMERGENCY
8	50101	Single Button IP5000 VoIP Phone – PUSH FOR HELP
8	50102	Double Button IP5000 VoIP Phone – PUSH FOR HELP
8	50103	Keypad IP5000 VoIP Phone – PUSH FOR HELP
8	50104	Single Button IP5000 VoIP Phone – EMERGENCY
8	50105	Double Button IP5000 VoIP Phone – EMERGENCY
8	50106	Keypad IP5000 VoIP Phone – EMERGENCY
9	41544	Faceplate Security Screw 10x24 (6 pk)
10	41700	24V Fuse Block
11	41545	Access Door Security Screws (2 pk)
12	40357	Bezel Assembly IA4100 Analog Phone – PUSH FOR HELP
12	40407	Bezel Assembly IA4100 Analog Phone – EMERGENCY
12	40313	Bezel Assembly IP5000 VoIP Phone – PUSH FOR HELP
12	40405	Bezel Assembly IP5000 VoIP Phone – EMERGENCY

DISCLAIMER: Product design and component use subject to change without notice. Product shown reasonably represents current offering and is intended to assist in component identification. Reference the model and serial number from the unit ID tag and contact manufacturer to confirm replacement part version and availability.



### 11 Legacy CB 1-e High Voltage Exploded View

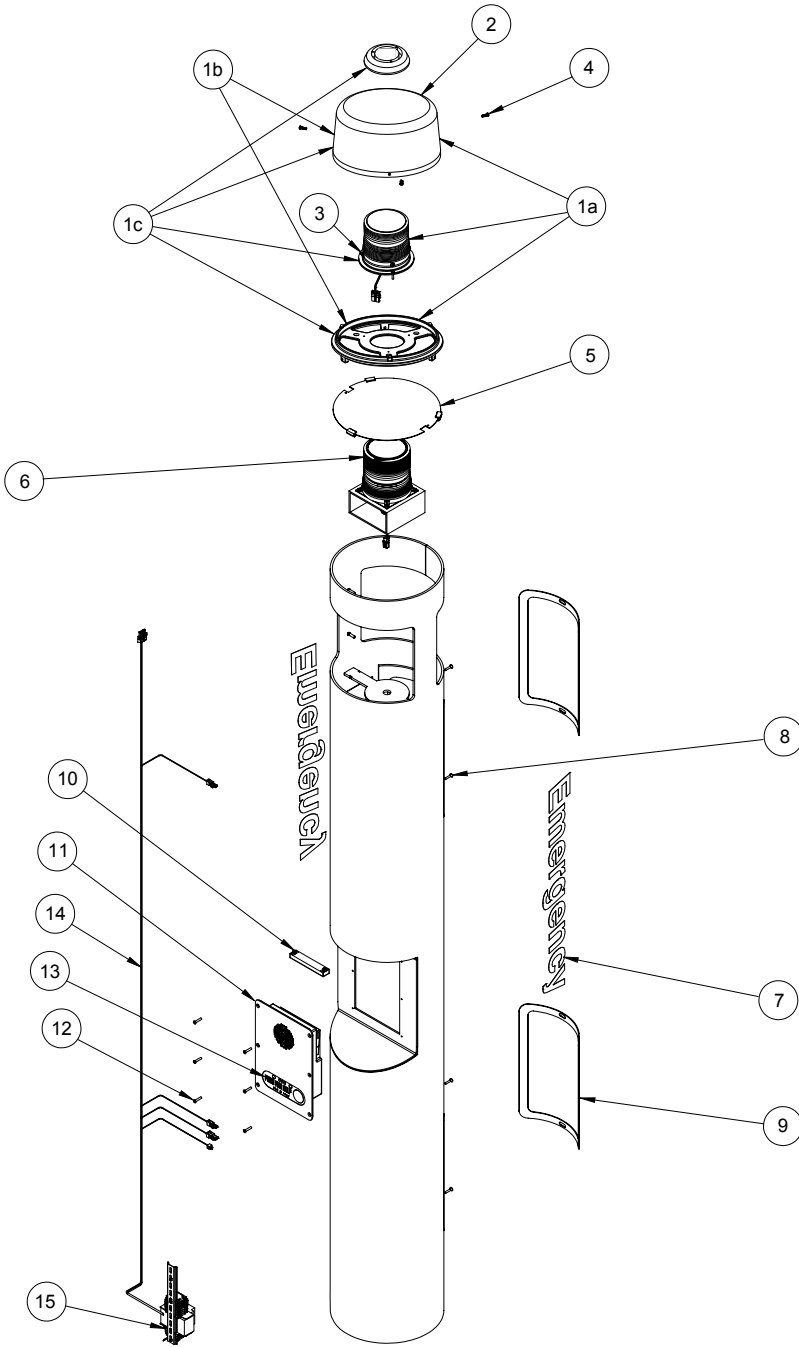


BALL #	PART #	DESCRIPTION
1a	40260	Dome Top Kit with Strobe
1b	40165	Dome Top Kit w/o Strobe
1c	40166	Dome Top Kit w/o Strobe & Active Vent
2	41402	Dome Top Lens
3	40159	LED Blue Beacon Strobe
4	41500	Button Head Security Screws (3 pk)
5	CALL	Standard / Custom Graphic
6	41471	Analog Surge Suppressor
6	41421	IP Surge Suppressor
7	41548	LED Faceplate Light
8	50001	Single Button IA4100 Analog Phone – PUSH FOR HELP
8	50002	Double Button IA4100 Analog Phone – PUSH FOR HELP
8	50003	Keypad IA4100 Analog Phone – PUSH FOR HELP
8	50004	Single Button IA4100 Analog Phone – EMERGENCY
8	50005	Double Button IA4100 Analog Phone – EMERGENCY
8	50006	Keypad IA4100 Analog Phone – EMERGENCY
8	50101	Single Button IP5000 VoIP Phone – PUSH FOR HELP
8	50102	Double Button IP5000 VoIP Phone – PUSH FOR HELP
8	50103	Keypad IP5000 VoIP Phone – PUSH FOR HELP
8	50104	Single Button IP5000 VoIP Phone – EMERGENCY
8	50105	Double Button IP5000 VoIP Phone – EMERGENCY
8	50106	Keypad IP5000 VoIP Phone – EMERGENCY
9	41544	Faceplate Security Screw 10x24 (6 pk)
10	40104	Power Brick 120V, 240V, 277V, 347V <b>Option</b>
10	45003	NightCharge® <b>Option</b>
11	41545	Access Door Security Screws (2 pk)
12	40357	Bezel Assembly IA4100 Analog Phone – PUSH FOR HELP
12	40407	Bezel Assembly IA4100 Analog Phone – EMERGENCY
12	40313	Bezel Assembly IP5000 VoIP Phone – PUSH FOR HELP
12	40405	Bezel Assembly IP5000 VoIP Phone – EMERGENCY

DISCLAIMER: Product design and component use subject to change without notice. Product shown reasonably represents current offering and is intended to assist in component identification. Reference the model and serial number from the unit ID tag and contact manufacturer to confirm replacement part version and availability.



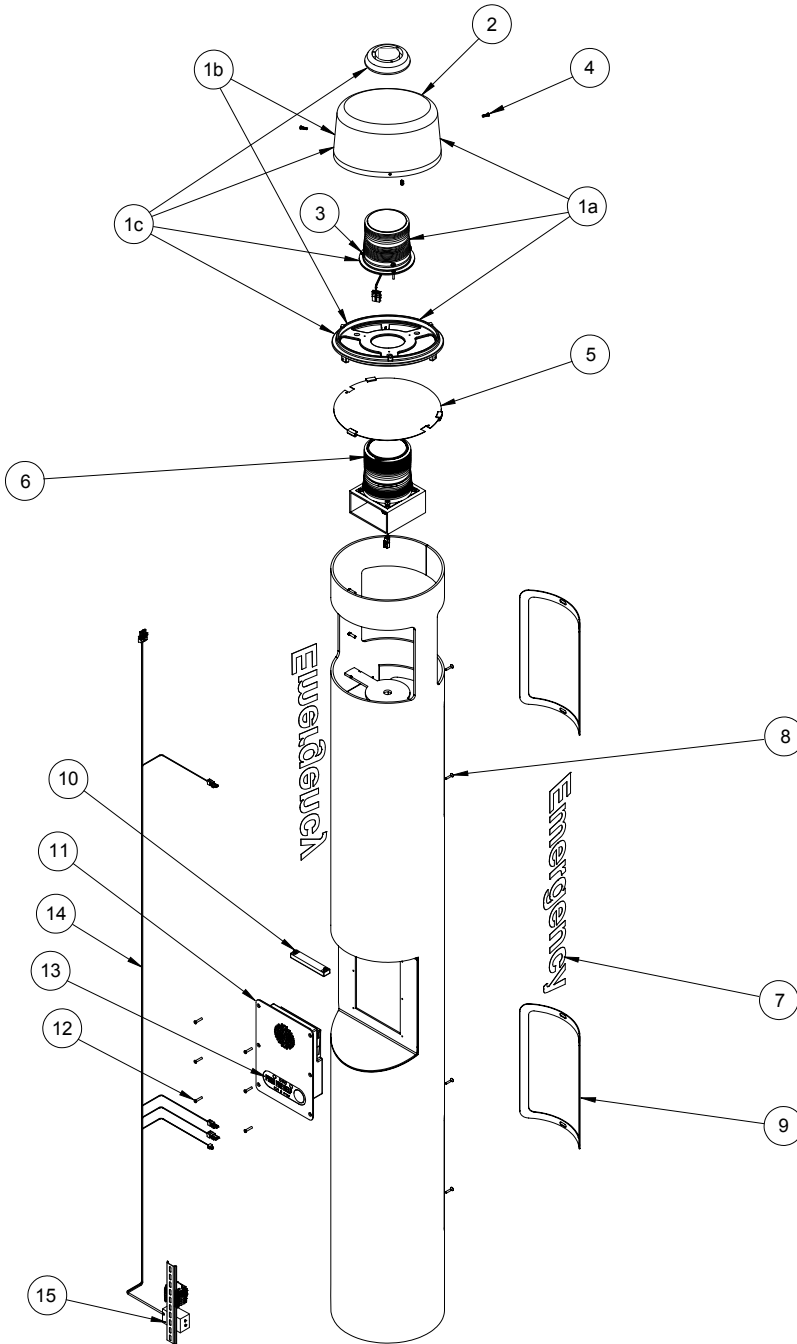
### 12 CB 1-s DIN Rail 24-277V Exploded View



BALL #	PART #	DESCRIPTION
1a	40260	Dome Top Kit with Strobe
1b	40165	Dome Top Kit w/o Strobe
1c	40166	Dome Top Kit w/o Strobe & Active Vent
2	41402	Dome Top Lens
3	40159	LED Blue Beacon Strobe
4	41500	Button Head Security Screws (3 pk)
5	40393	Reflective Disc
6	41539	LED Area Light
7	CALL	Standard / Custom Graphic
8	41545	Access Door Security Screws (2 pk)
9	40119	Gasket, Access Door
10	41548	LED Faceplate Light
11	50001	Single Button IA4100 Analog Phone – PUSH FOR HELP
11	50002	Double Button IA4100 Analog Phone – PUSH FOR HELP
11	50003	Keypad IA4100 Analog Phone – PUSH FOR HELP
11	50004	Single Button IA4100 Analog Phone – EMERGENCY
11	50005	Double Button IA4100 Analog Phone – EMERGENCY
11	50006	Keypad IA4100 Analog Phone – EMERGENCY
11	50101	Single Button IP5000 VoIP Phone – PUSH FOR HELP
11	50102	Double Button IP5000 VoIP Phone – PUSH FOR HELP
11	50103	Keypad IP5000 VoIP Phone – PUSH FOR HELP
11	50104	Single Button IP5000 VoIP Phone – EMERGENCY
11	50105	Double Button IP5000 VoIP Phone – EMERGENCY
11	50106	Keypad IP5000 VoIP Phone – EMERGENCY
12	41544	Faceplate Security Screw 10x24 (6 pk)
13	40357	Bezel Assembly IA4100 Analog Phone – PUSH FOR HELP
13	40407	Bezel Assembly IA4100 Analog Phone – EMERGENCY
13	40313	Bezel Assembly IP5000 VoIP Phone – PUSH FOR HELP
13	40405	Bezel Assembly IP5000 VoIP Phone – EMERGENCY
14	41116	114" 5-Connector Harness
15	40110	DIN Rail Assembly - Standard



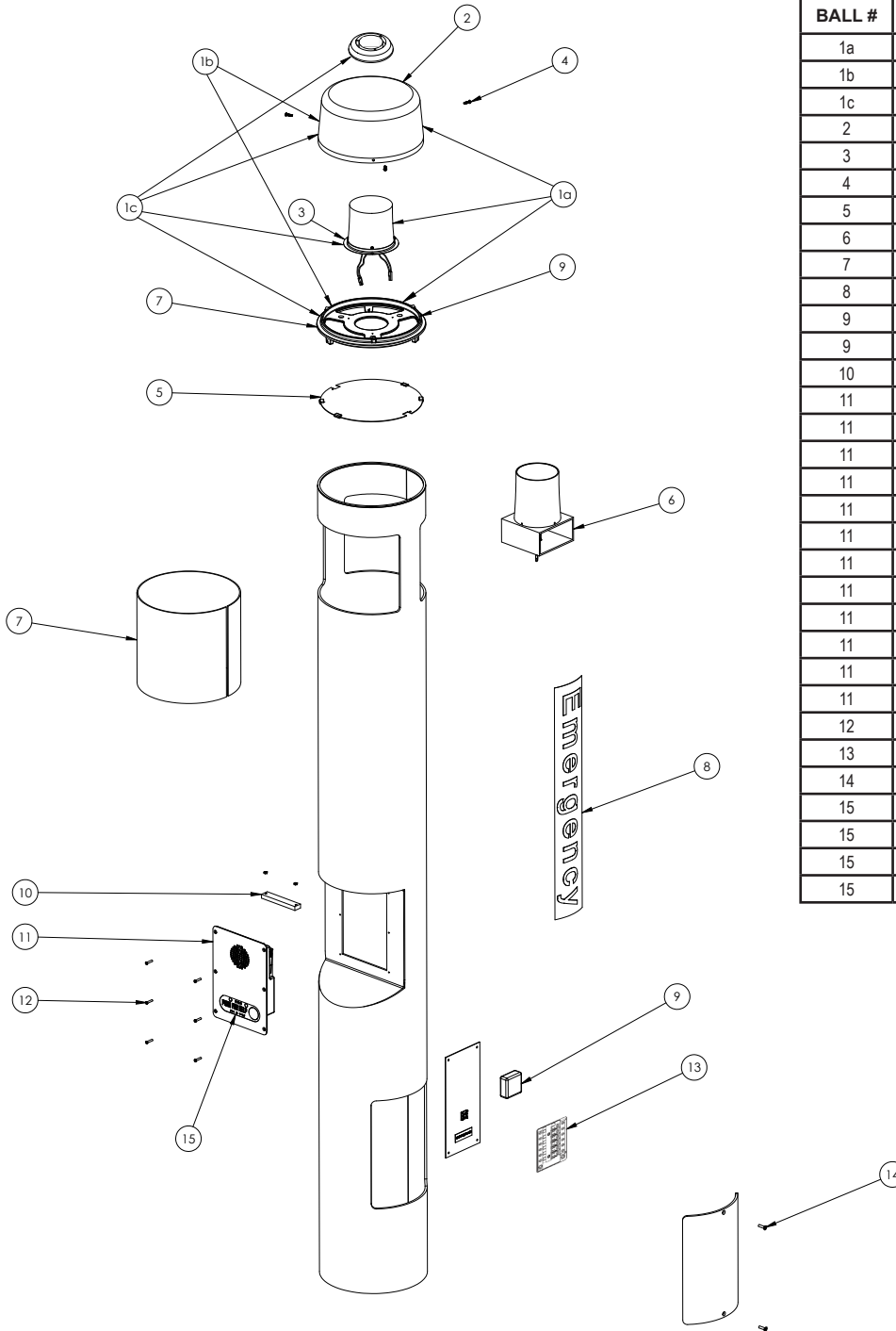
### 13 CB 1-s DIN Rail PoE Exploded View



BALL #	PART #	DESCRIPTION
1a	40260	Dome Top Kit with Strobe
1b	40165	Dome Top Kit w/o Strobe
1c	40166	Dome Top Kit w/o Strobe & Active Vent
2	41402	Dome Top Lens
3	40159	LED Blue Beacon Strobe
4	41500	Button Head Security Screws (3 pk)
5	40393	Reflective Disc
6	41539	LED Area Light
7	CALL	Standard / Custom Graphic
8	41545	Access Door Security Screws (2 pk)
9	40119	Gasket, Access Door
10	41548	LED Faceplate Light
11	50001	Single Button IA4100 Analog Phone – PUSH FOR HELP
11	50002	Double Button IA4100 Analog Phone – PUSH FOR HELP
11	50003	Keypad IA4100 Analog Phone – PUSH FOR HELP
11	50004	Single Button IA4100 Analog Phone – EMERGENCY
11	50005	Double Button IA4100 Analog Phone – EMERGENCY
11	50006	Keypad IA4100 Analog Phone – EMERGENCY
11	50101	Single Button IP5000 VoIP Phone – PUSH FOR HELP
11	50102	Double Button IP5000 VoIP Phone – PUSH FOR HELP
11	50103	Keypad IP5000 VoIP Phone – PUSH FOR HELP
11	50104	Single Button IP5000 VoIP Phone – EMERGENCY
11	50105	Double Button IP5000 VoIP Phone – EMERGENCY
11	50106	Keypad IP5000 VoIP Phone – EMERGENCY
12	41544	Faceplate Security Screw 10x24 (6 pk)
13	40357	Bezel Assembly IA4100 Analog Phone – PUSH FOR HELP
13	40407	Bezel Assembly IA4100 Analog Phone – EMERGENCY
13	40313	Bezel Assembly IP5000 VoIP Phone – PUSH FOR HELP
13	40405	Bezel Assembly IP5000 VoIP Phone – EMERGENCY
14	41116	114" 5-Connector Harness
15	40111	DIN Rail Assembly - PoE



### 14 Legacy CB 1-s Low Voltage Exploded View



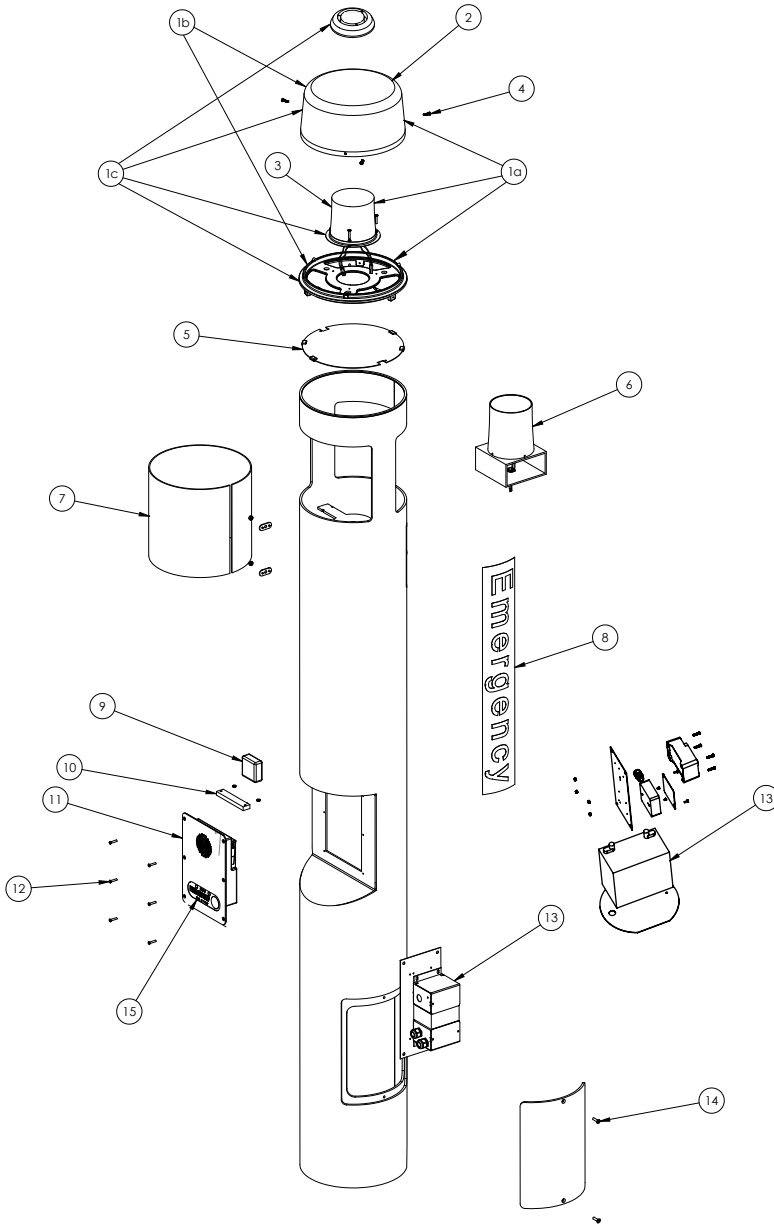
BALL #	PART #	DESCRIPTION
1a	40260	Dome Top Kit with Strobe
1b	40165	Dome Top Kit w/o Strobe
1c	40166	Dome Top Kit w/o Strobe & Active Vent
2	41402	Dome Top Lens
3	40159	LED Blue Beacon Strobe
4	41500	Button Head Security Screws (3 pk)
5	40393	Reflective Disk
6	41539	LED Area Light
7	41410	HID Lens
8	CALL	Standard / Custom Graphic
9	41471	Analog Surge Suppressor
9	41421	IP Surge Suppressor
10	41548	LED Faceplate Light
11	50001	Single Button IA4100 Analog Phone – PUSH FOR HELP
11	50002	Double Button IA4100 Analog Phone – PUSH FOR HELP
11	50003	Keypad IA4100 Analog Phone – PUSH FOR HELP
11	50004	Single Button IA4100 Analog Phone – EMERGENCY
11	50005	Double Button IA4100 Analog Phone – EMERGENCY
11	50006	Keypad IA4100 Analog Phone – EMERGENCY
11	50101	Single Button IP5000 VoIP Phone – PUSH FOR HELP
11	50102	Double Button IP5000 VoIP Phone – PUSH FOR HELP
11	50103	Keypad IP5000 VoIP Phone – PUSH FOR HELP
11	50104	Single Button IP5000 VoIP Phone – EMERGENCY
11	50105	Double Button IP5000 VoIP Phone – EMERGENCY
11	50106	Keypad IP5000 VoIP Phone – EMERGENCY
12	41544	Faceplate Security Screw 10x24 (6 pk)
13	41700	24V Fuse Block
14	41545	Access Door Security Screws (2 pk)
15	40357	Bezel Assembly IA4100 Analog Phone – PUSH FOR HELP
15	40407	Bezel Assembly IA4100 Analog Phone – EMERGENCY
15	40313	Bezel Assembly IP5000 VoIP Phone – PUSH FOR HELP
15	40405	Bezel Assembly IP5000 VoIP Phone – EMERGENCY

DISCLAIMER: Product design and component use subject to change without notice. Product shown reasonably represents current offering and is intended to assist in component identification. Reference the model and serial number from the unit ID tag and contact manufacturer to confirm replacement part version and availability.





### 15 Legacy CB 1-s High Voltage Exploded View

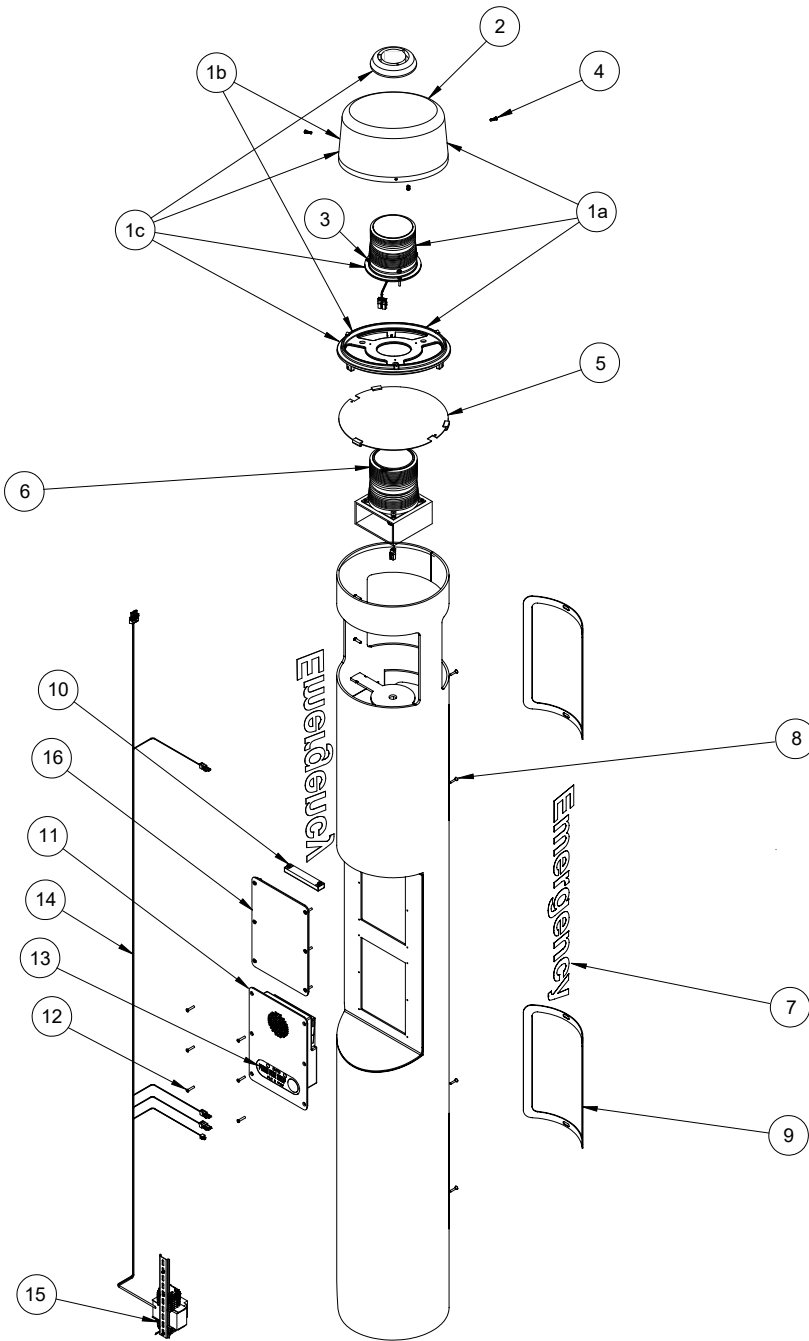


BALL #	PART #	DESCRIPTION
1a	40260	Dome Top Kit with Strobe
1b	40165	Dome Top Kit w/o Strobe
1c	40166	Dome Top Kit w/o Strobe & Active Vent
2	41402	Dome Top Lens
3	40159	LED Blue Beacon Strobe
4	41500	Button Head Security Screws (3 pk)
5	40393	Reflective Disk
6	41539	LED Area Light
7	41410	HID Lens
8	CALL	Standard / Custom Graphic
9	41471	Analog Surge Suppressor
9	41421	IP Surge Suppressor
10	41548	LED Faceplate Light
11	50001	Single Button IA4100 Analog Phone – PUSH FOR HELP
11	50002	Double Button IA4100 Analog Phone – PUSH FOR HELP
11	50003	Keypad IA4100 Analog Phone – PUSH FOR HELP
11	50004	Single Button IA4100 Analog Phone – EMERGENCY
11	50005	Double Button IA4100 Analog Phone – EMERGENCY
11	50006	Keypad IA4100 Analog Phone – EMERGENCY
11	50101	Single Button IP5000 VoIP Phone – PUSH FOR HELP
11	50102	Double Button IP5000 VoIP Phone – PUSH FOR HELP
11	50103	Keypad IP5000 VoIP Phone – PUSH FOR HELP
11	50104	Single Button IP5000 VoIP Phone – EMERGENCY
11	50105	Double Button IP5000 VoIP Phone – EMERGENCY
11	50106	Keypad IP5000 VoIP Phone – EMERGENCY
12	41544	Faceplate Security Screw 10x24 (6 pk)
13	40104	Power Brick 120V, 240V, 277V, 347V <b>Option</b>
13	45005	NightCharge® <b>Option</b>
14	41545	Access Door Security Screws (2 pk)
15	40357	Bezel Assembly IA4100 Analog Phone – PUSH FOR HELP
15	40407	Bezel Assembly IA4100 Analog Phone – EMERGENCY
15	40313	Bezel Assembly IP5000 VoIP Phone – PUSH FOR HELP
15	40405	Bezel Assembly IP5000 VoIP Phone – EMERGENCY

DISCLAIMER: Product design and component use subject to change without notice. Product shown reasonably represents current offering and is intended to assist in component identification. Reference the model and serial number from the unit ID tag and contact manufacturer to confirm replacement part version and availability.



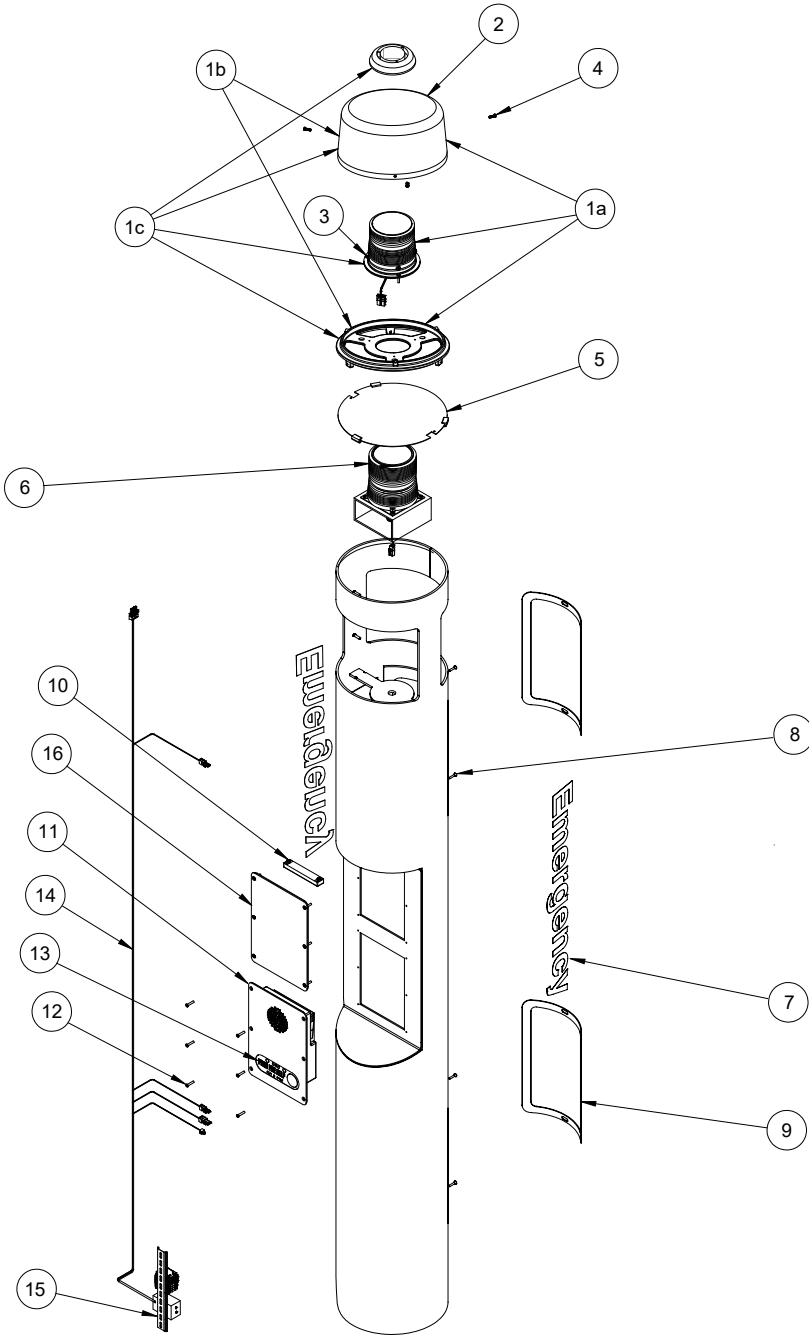
### 16 CB 1-s with Dual Faceplates DIN Rail 24-277V Exploded View



BALL #	PART #	DESCRIPTION
1a	40260	Dome Top Kit with Strobe
1b	40165	Dome Top Kit w/o Strobe
1c	40166	Dome Top Kit w/o Strobe & Active Vent
2	41402	Dome Top Lens
3	40159	LED Blue Beacon Strobe
4	41500	Button Head Security Screws (3 pk)
5	40393	Reflective Disc
6	41539	LED Area Light
7	CALL	Standard / Custom Graphic
8	41545	Access Door Security Screws (2 pk)
9	40119	Gasket, Access Door
10	41548	LED Faceplate Light
11	50001	Single Button IA4100 Analog Phone – PUSH FOR HELP
11	50002	Double Button IA4100 Analog Phone – PUSH FOR HELP
11	50003	Keypad IA4100 Analog Phone – PUSH FOR HELP
11	50004	Single Button IA4100 Analog Phone – EMERGENCY
11	50005	Double Button IA4100 Analog Phone – EMERGENCY
11	50006	Keypad IA4100 Analog Phone – EMERGENCY
11	50101	Single Button IP5000 VoIP Phone – PUSH FOR HELP
11	50102	Double Button IP5000 VoIP Phone – PUSH FOR HELP
11	50103	Keypad IP5000 VoIP Phone – PUSH FOR HELP
11	50104	Single Button IP5000 VoIP Phone – EMERGENCY
11	50105	Double Button IP5000 VoIP Phone – EMERGENCY
11	50106	Keypad IP5000 VoIP Phone – EMERGENCY
12	41544	Faceplate Security Screw 10x24 (6 pk)
13	40357	Bezel Assembly IA4100 Analog Phone – PUSH FOR HELP
13	40407	Bezel Assembly IA4100 Analog Phone – EMERGENCY
13	40313	Bezel Assembly IP5000 VoIP Phone – PUSH FOR HELP
13	40405	Bezel Assembly IP5000 VoIP Phone – EMERGENCY
14	41116	114" 5-Connector Harness
15	40110	DIN Rail Assembly - Standard
16	40066	2nd Faceplate - Blank Plate Assembly
16	40057	2nd Faceplate - Directory Assembly



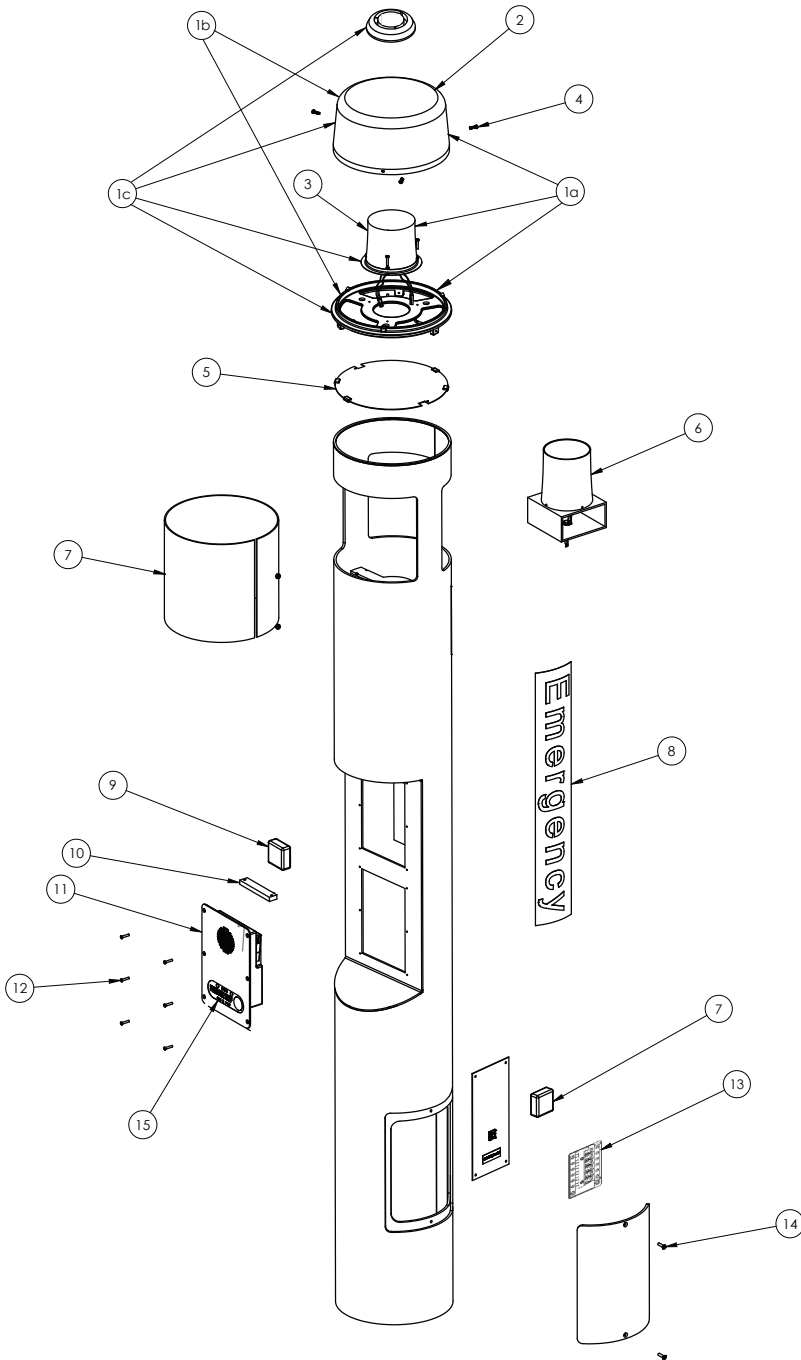
### 17 CB 1-s with Dual Faceplates DIN Rail PoE Exploded View



BALL #	PART #	DESCRIPTION
1a	40260	Dome Top Kit with Strobe
1b	40165	Dome Top Kit w/o Strobe
1c	40166	Dome Top Kit w/o Strobe & Active Vent
2	41402	Dome Top Lens
3	40159	LED Blue Beacon Strobe
4	41500	Button Head Security Screws (3 pk)
5	40393	Reflective Disc
6	41539	LED Area Light
7	CALL	Standard / Custom Graphic
8	41545	Access Door Security Screws (2 pk)
9	40119	Gasket, Access Door
10	41548	LED Faceplate Light
11	50001	Single Button IA4100 Analog Phone – PUSH FOR HELP
11	50002	Double Button IA4100 Analog Phone – PUSH FOR HELP
11	50003	Keypad IA4100 Analog Phone – PUSH FOR HELP
11	50004	Single Button IA4100 Analog Phone – EMERGENCY
11	50005	Double Button IA4100 Analog Phone – EMERGENCY
11	50006	Keypad IA4100 Analog Phone – EMERGENCY
11	50101	Single Button IP5000 VoIP Phone – PUSH FOR HELP
11	50102	Double Button IP5000 VoIP Phone – PUSH FOR HELP
11	50103	Keypad IP5000 VoIP Phone – PUSH FOR HELP
11	50104	Single Button IP5000 VoIP Phone – EMERGENCY
11	50105	Double Button IP5000 VoIP Phone – EMERGENCY
11	50106	Keypad IP5000 VoIP Phone – EMERGENCY
12	41544	Faceplate Security Screw 10x24 (6 pk)
13	40357	Bezel Assembly IA4100 Analog Phone – PUSH FOR HELP
13	40407	Bezel Assembly IA4100 Analog Phone – EMERGENCY
13	40313	Bezel Assembly IP5000 VoIP Phone – PUSH FOR HELP
13	40405	Bezel Assembly IP5000 VoIP Phone – EMERGENCY
14	41116	114" 5-Connector Harness
15	40111	DIN Rail Assembly - PoE
16	40066	2nd Faceplate - Blank Plate Assembly
16	40057	2nd Faceplate - Directory Assembly



### 18 Legacy CB 1-s with Dual Faceplates Low Voltage Exploded View

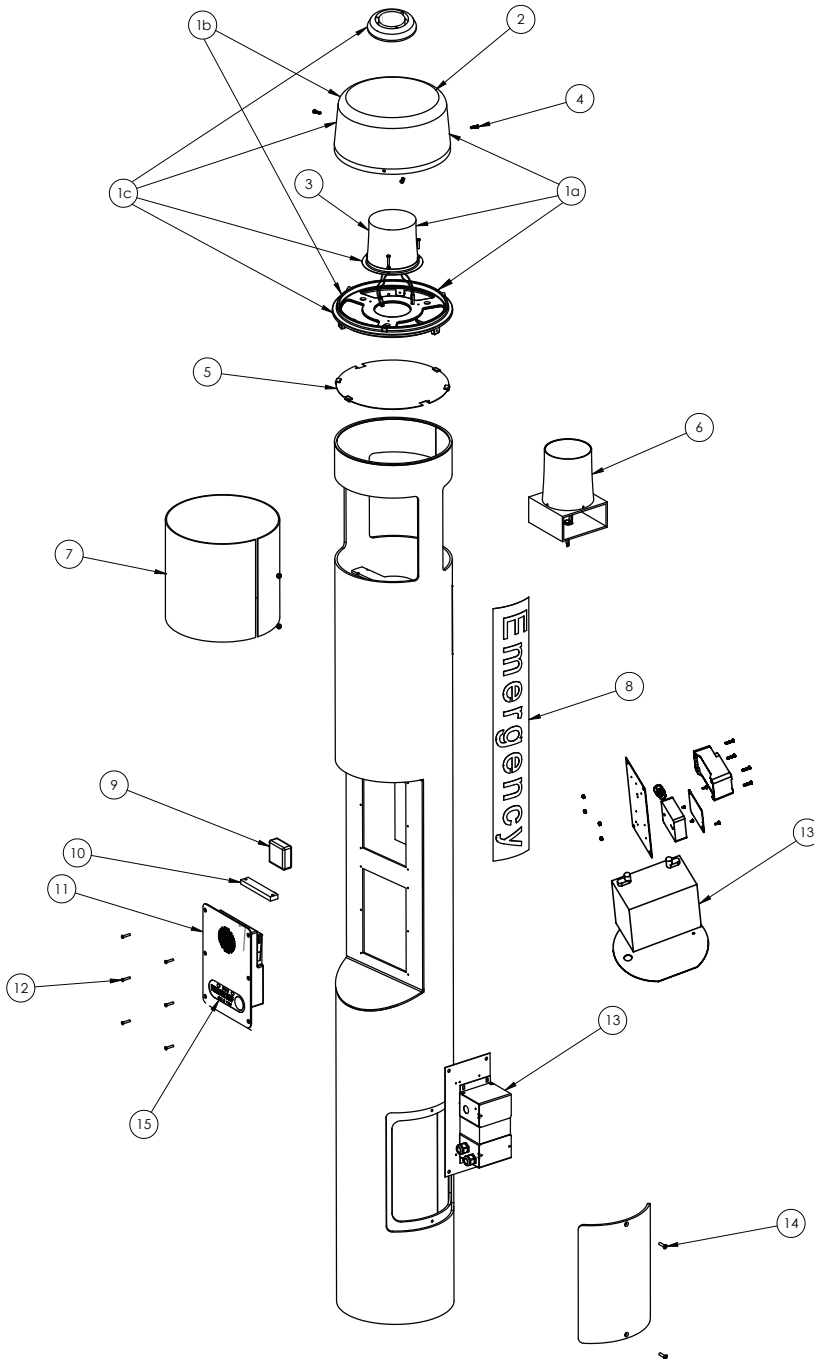


BALL #	PART #	DESCRIPTION
1a	40260	Dome Top Kit with Strobe
1b	40165	Dome Top Kit w/o Strobe
1c	40166	Dome Top Kit w/o Strobe & Active Vent
2	41402	Dome Top Lens
3	40159	LED Blue Beacon Strobe
4	41500	Button Head Security Screws (3 pk)
5	40393	Reflective Disk
6	41539	LED Area Light
7	41410	HID Lens
8	CALL	Standard / Custom Graphic
9	41471	Analog Surge Suppressor
9	41421	IP Surge Suppressor
10	41548	LED Faceplate Light
11	50001	Single Button IA4100 Analog Phone – PUSH FOR HELP
11	50002	Double Button IA4100 Analog Phone – PUSH FOR HELP
11	50003	Keypad IA4100 Analog Phone – PUSH FOR HELP
11	50004	Single Button IA4100 Analog Phone – EMERGENCY
11	50005	Double Button IA4100 Analog Phone – EMERGENCY
11	50006	Keypad IA4100 Analog Phone – EMERGENCY
11	50101	Single Button IP5000 VoIP Phone – PUSH FOR HELP
11	50102	Double Button IP5000 VoIP Phone – PUSH FOR HELP
11	50103	Keypad IP5000 VoIP Phone – PUSH FOR HELP
11	50104	Single Button IP5000 VoIP Phone – EMERGENCY
11	50105	Double Button IP5000 VoIP Phone – EMERGENCY
11	50106	Keypad IP5000 VoIP Phone – EMERGENCY
12	41544	Faceplate Security Screw 10x24 (6 pk)
13	41700	24V Fuse Block
14	41545	Access Door Security Screws (2 pk)
15	40357	Bezel Assembly IA4100 Analog Phone – PUSH FOR HELP
15	40407	Bezel Assembly IA4100 Analog Phone – EMERGENCY
15	40313	Bezel Assembly IP5000 VoIP Phone – PUSH FOR HELP
15	40405	Bezel Assembly IP5000 VoIP Phone – EMERGENCY

DISCLAIMER: Product design and component use subject to change without notice. Product shown reasonably represents current offering and is intended to assist in component identification. Reference the model and serial number from the unit ID tag and contact manufacturer to confirm replacement part version and availability.



### 19 Legacy CB 1-s with Dual Faceplates High Voltage Exploded View

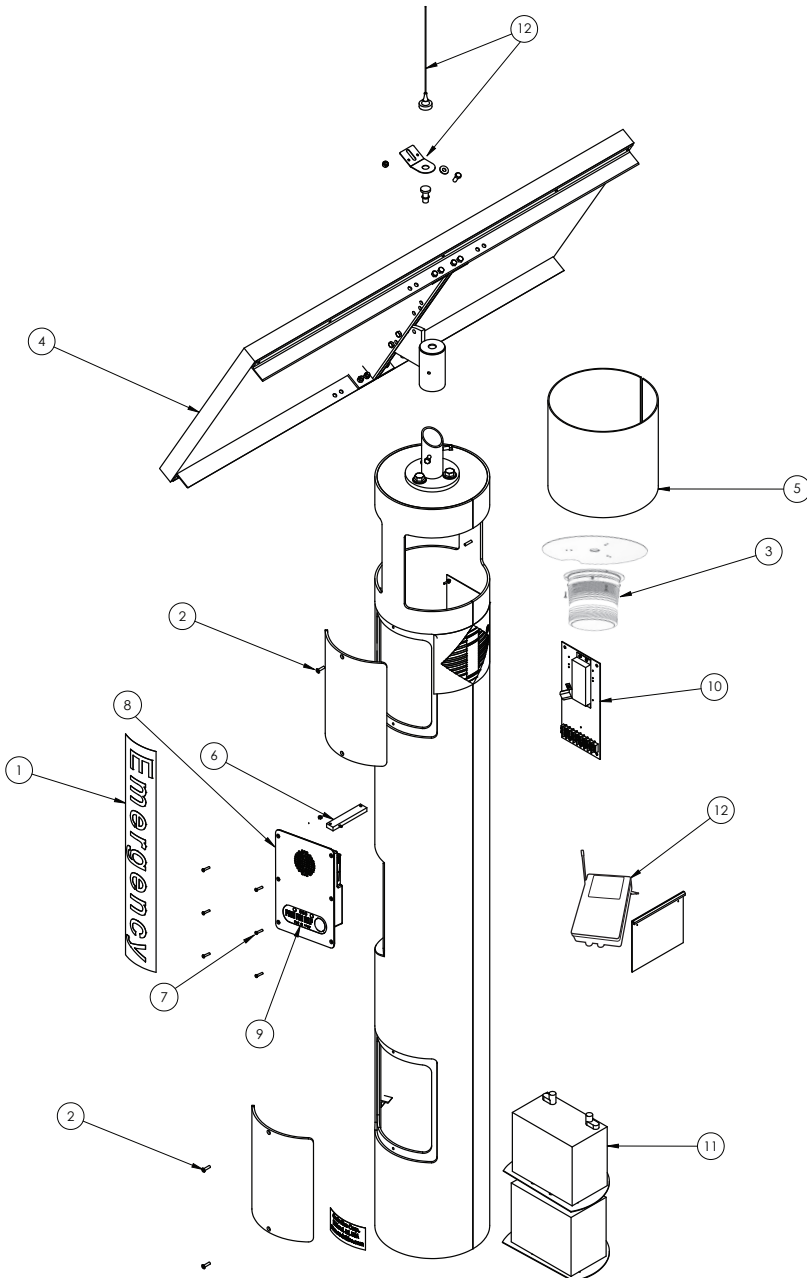


BALL #	PART #	DESCRIPTION
1a	40260	Dome Top Kit with Strobe
1b	40165	Dome Top Kit w/o Strobe
1c	40166	Dome Top Kit w/o Strobe & Active Vent
2	41402	Dome Top Lens
3	40159	LED Blue Beacon Strobe
4	41500	Button Head Security Screws (3 pk)
5	40393	Reflective Disk
6	41539	LED Area Light
7	41410	HID Lens
8	CALL	Standard / Custom Graphic
9	41471	Analog Surge Suppressor
9	41421	IP Surge Suppressor
10	41548	LED Faceplate Light
11	50001	Single Button IA4100 Analog Phone – PUSH FOR HELP
11	50002	Double Button IA4100 Analog Phone – PUSH FOR HELP
11	50003	Keypad IA4100 Analog Phone – PUSH FOR HELP
11	50004	Single Button IA4100 Analog Phone – EMERGENCY
11	50005	Double Button IA4100 Analog Phone – EMERGENCY
11	50006	Keypad IA4100 Analog Phone – EMERGENCY
11	50101	Single Button IP5000 VoIP Phone – PUSH FOR HELP
11	50102	Double Button IP5000 VoIP Phone – PUSH FOR HELP
11	50103	Keypad IP5000 VoIP Phone – PUSH FOR HELP
11	50104	Single Button IP5000 VoIP Phone – EMERGENCY
11	50105	Double Button IP5000 VoIP Phone – EMERGENCY
11	50106	Keypad IP5000 VoIP Phone – EMERGENCY
12	41544	Faceplate Security Screw 10x24 (6 pk)
13	40104	Power Brick 120V, 240V, 277V, 347V <b>Option</b>
13	45005	NightCharge® <b>Option</b>
14	41545	Access Door Security Screws (2 pk)
15	40357	Bezel Assembly IA4100 Analog Phone – PUSH FOR HELP
15	40407	Bezel Assembly IA4100 Analog Phone – EMERGENCY
15	40313	Bezel Assembly IP5000 VoIP Phone – PUSH FOR HELP
15	40405	Bezel Assembly IP5000 VoIP Phone – EMERGENCY

DISCLAIMER: Product design and component use subject to change without notice. Product shown reasonably represents current offering and is intended to assist in component identification. Reference the model and serial number from the unit ID tag and contact manufacturer to confirm replacement part version and availability.



### 20 CB 1-w Exploded View



BALL #	PART #	DESCRIPTION
1	CALL	Standard / Custom Graphic
2	41545	Access Door Security Screws (2 pk)
3	40542	LED Combo Strobe with Photo Cell
4	40156	Solar Panel Mounting Kit with Solar Panel
5	41410	HID Area Light Lens
6	41548	LED Faceplate Light
7	41544	Faceplate Security Screw 10x24 (6 pk)
8	50001	Single Button IA4100 Analog Phone – PUSH FOR HELP
8	50002	Double Button IA4100 Analog Phone – PUSH FOR HELP
8	50003	Keypad IA4100 Analog Phone – PUSH FOR HELP
8	50004	Single Button IA4100 Analog Phone – EMERGENCY
8	50005	Double Button IA4100 Analog Phone – EMERGENCY
8	50006	Keypad IA4100 Analog Phone – EMERGENCY
8	50101	Single Button IP5000 VoIP Phone – PUSH FOR HELP
8	50102	Double Button IP5000 VoIP Phone – PUSH FOR HELP
8	50103	Keypad IP5000 VoIP Phone – PUSH FOR HELP
8	50104	Single Button IP5000 VoIP Phone – EMERGENCY
8	50105	Double Button IP5000 VoIP Phone – EMERGENCY
8	50106	Keypad IP5000 VoIP Phone – EMERGENCY
9	40357	Bezel Assembly IA4100 Analog Phone – PUSH FOR HELP
9	40407	Bezel Assembly IA4100 Analog Phone – EMERGENCY
9	40313	Bezel Assembly IP5000 VoIP Phone – PUSH FOR HELP
9	40405	Bezel Assembly IP5000 VoIP Phone – EMERGENCY
10	40030	Power Panel Assembly
11	41537	55 AmpHr Battery
12	40023	GSM Cellular Transceiver Kit with Antenna

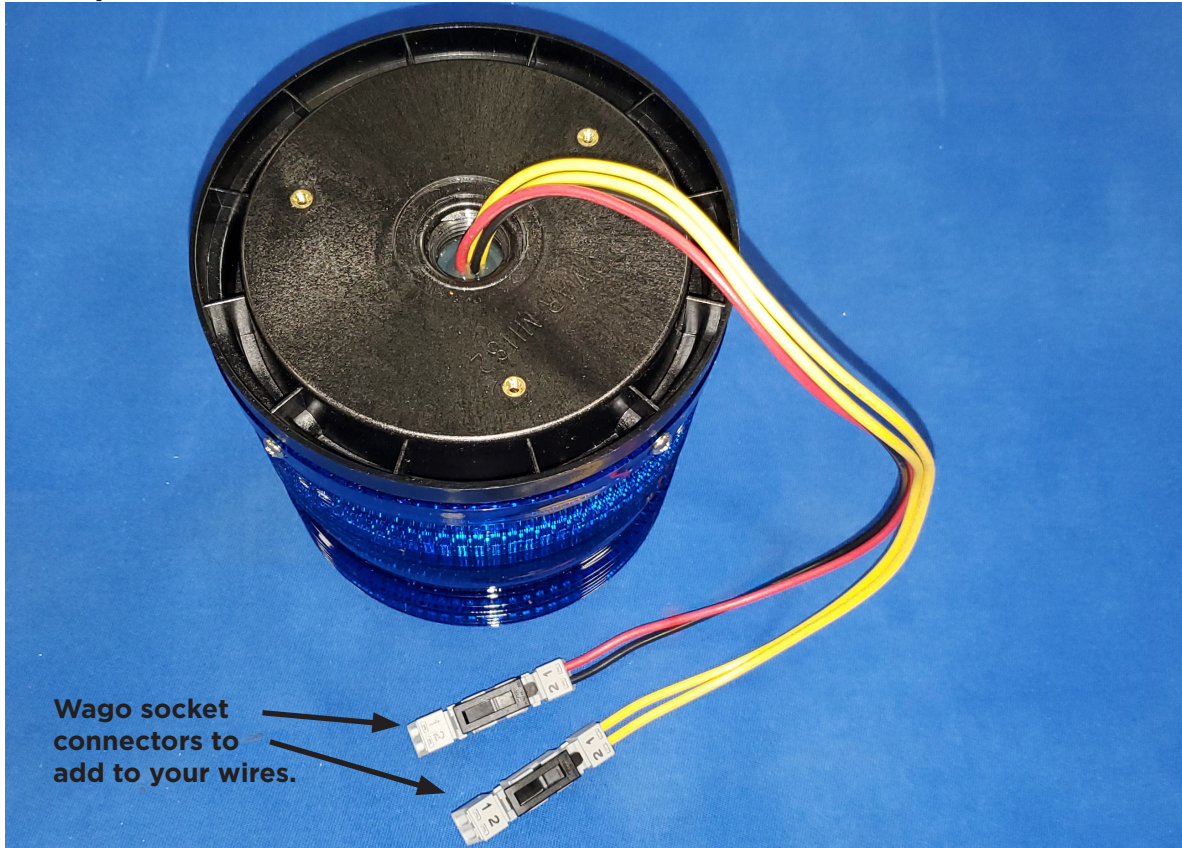
DISCLAIMER: Product design and component use subject to change without notice. Product shown reasonably represents current offering and is intended to assist in component identification. Reference the model and serial number from the unit ID tag and contact manufacturer to confirm replacement part version and availability.



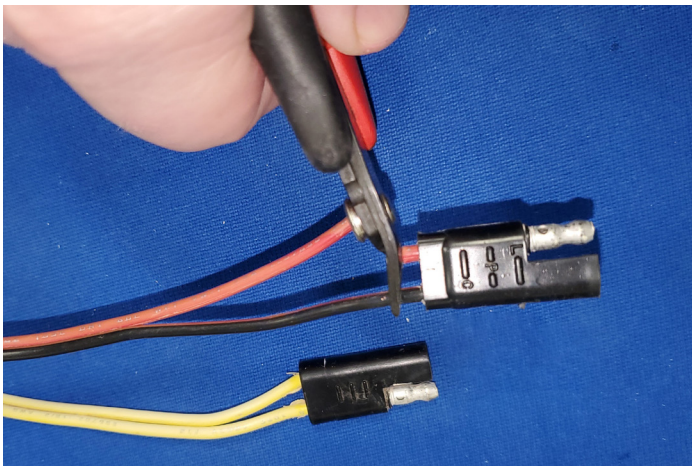
## 21 How to Replace LED Light Connectors

As of 2020, Code Blue strobe, area and faceplate lights come with Wago connectors. These connectors provide ease of use and a much stronger connection. Below are the steps needed to change to the new connectors. Each new LED light should come with both the plug-and-socket Wago connectors.

### Example:

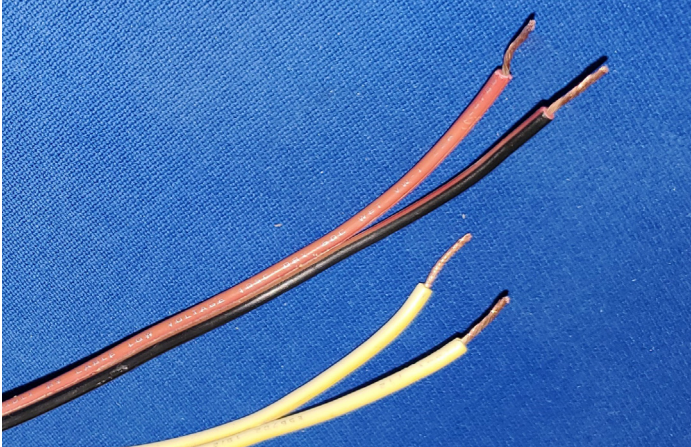


### Cut off both wires.

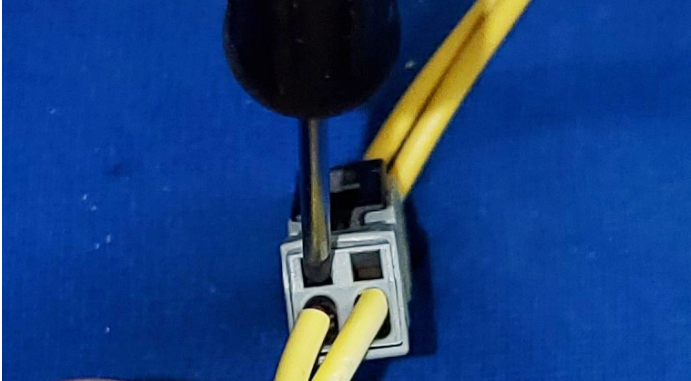




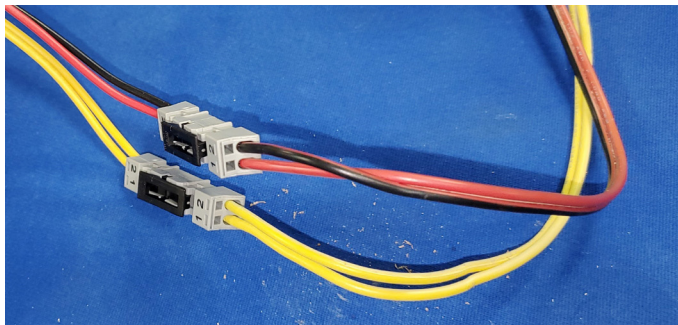
**Strip all wires and twist tight.**



**Place small screwdriver into square hole and push down. Insert cut wire into round hole and remove screwdriver. Repeat on the rest of the connectors.**



**Once all connectors have been switched, you are ready to apply power to the LED.**



This will work on strobe, area and faceplate lights.

Please contact [technicalsupport@codeblue.com](mailto:technicalsupport@codeblue.com) if you need further assistance.





## 22 CB 1-e and CB 1-s Installation Instructions

### 1.0 FOUNDATION (see anchor bolt installation instructions)

### 2.0 SET THE UNIT

- 2.1 **Screw one set of nuts and washers onto the anchor bolts** – After the foundation has set, screw one set of nuts followed by one set of washers onto the anchor bolts. Set the nuts so the lowest washer is about 2½ inches above the concrete and at an even height. To accomplish this, use a small level and check from front to back, side to side and diagonally. These nuts are NOT adjustable after the unit is in place. The bottom edge of the Code Blue unit will be ½-inch above the concrete when installed.

**IMPORTANT:** *The leveling of the bottom nuts is crucial to the leveling of the unit. A small error in the adjustment of these will be magnified after installation.*

**IMPORTANT:** *A ½-inch minimum air gap is required between the foundation and the unit. Moisture problems may result if this condition is not complied with.*

- 2.2 **Set the Code Blue unit on the anchor bolts** – Align the phone plate in the desired direction and lift the Code Blue unit over the anchor bolts. The unit may be lifted using the bracket on the inside of the unit. Note that the unit weighs approximately 330 pounds. Use appropriate lifting materials and methods to avoid possible injury and/or damage.
- 2.3 **Secure the Code Blue unit** – Access the mounting studs through the door on the side of the unit. Place the second washer, then nut and tighten the mounting nuts onto the anchor bolts. This may be more convenient if a long socket, extension and universal joint is used to tighten the hardware.

### 3.0 INSTALL THE AREA LIGHT (CB 1-s only)

- 3.1 **Remove packing material** – Remove all packing material and ensure that the bulb is tight.
- 3.2 **Install the light fixture** – Place the fixture on the bracket, just below the lens at the top of the unit.
- 3.3 **Connect the cord** – The power cord must be plugged into the plug near the bracket at the top of the pedestal.

### 4.0 INSTALL THE DOME TOP ASSEMBLY

- 4.1 Remove the clear Lexan dome from the black metal casting. The casting complete with strobe should be brought to the top of the unit (pedestal) where the wiring will be connected (match black and red wire connectors; match yellow to yellow connectors). After the wiring is complete, set the white disc on top of the lens located inside the unit (CB 1-s only). Set the casting on top of the pedestal and fasten the casting to the bollard by reaching through the openings and tightening the three 10-24 X 1-inch stainless steel thumbscrews against the inner wall. Finally, reattach the clear Lexan dome to the black metal casting with the security screws provided.

**NOTE:** *Take care not to overdrive the security screws against the Lexan as fracturing may occur.*

### 5.0 WIRING (refer to additional wiring instructions for the CB 1-s)

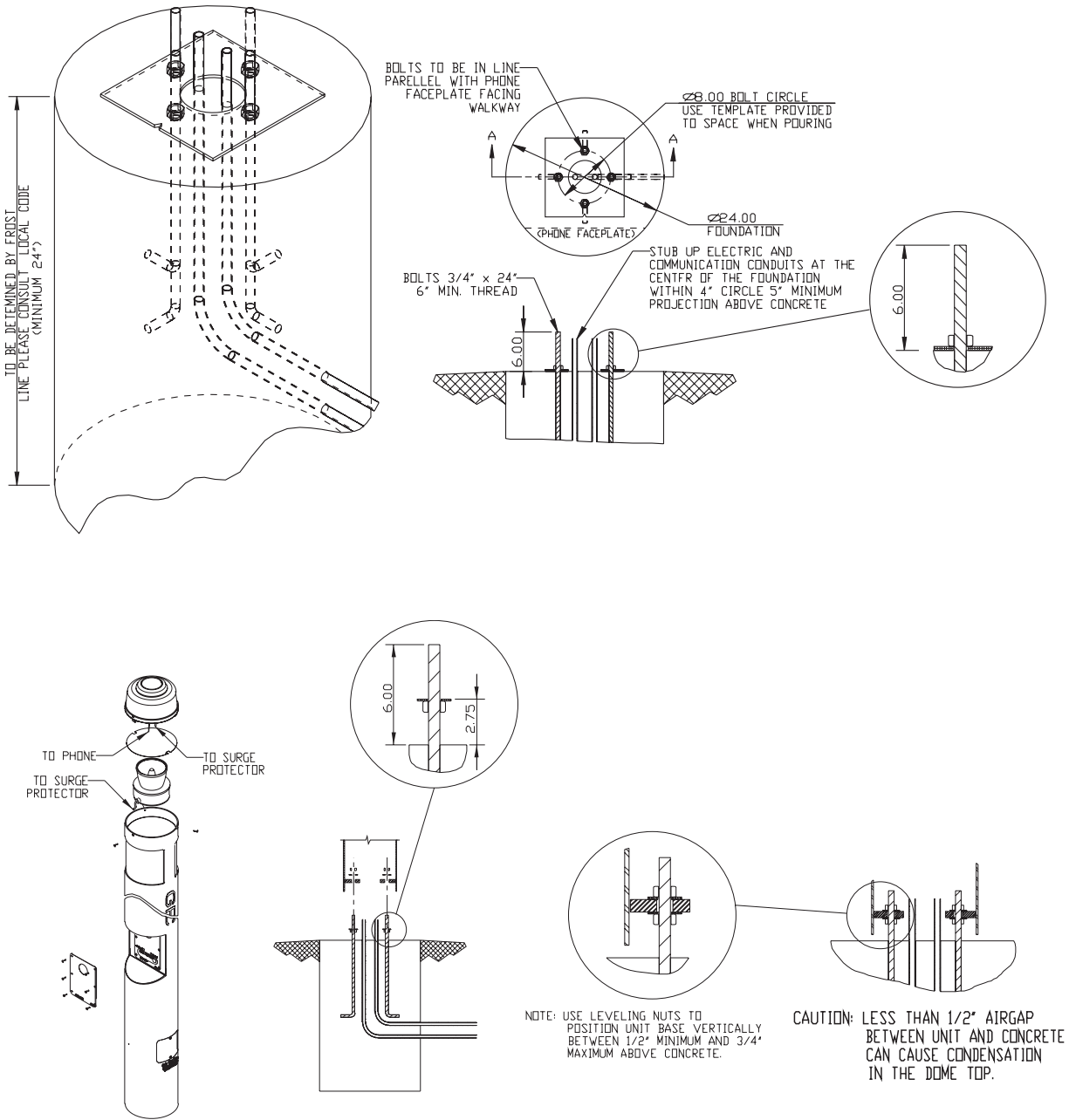
- 5.1 **Ground** – The ground (green) wire should be stripped and fastened to the supplied grounding lug.

*See diagrams next page*



**5.2 24V AC supply** – Bring the power connection into the unit and using the proper crimping tool, attach the incoming power wires to the appropriate black and red manifold wires or 24V fuse block.

**5.3 120V AC supply** – Bring the incoming power into the junction box. Using the proper crimping tool, attach and fasten each of the incoming power wires to the power brick's white/yellow and black/brown wires.



(CB 1-s as shown)

Figure 2

All wiring must be installed and connected by experienced and certified personnel to meet local and national electrical codes, and will include a service disconnect.



## 23 CB 1 Series Tower Base Gasket Installation Instructions

### 1.0 FOUNDATION (see anchor bolt installation instructions)

### 2.0 SET THE UNIT

**2.1** Screw one set of nuts and washers onto the anchor bolts. After the foundation has set, screw one set of nuts, followed by one set of washers, onto the anchor bolts. Set the nuts so the lowest washer is about 2½ inches above the concrete at an even height.

To accomplish this, use a small level and check from front to back, side to side and diagonally. These nuts are NOT adjustable after the unit is in place.

The bottom edge of the Code Blue unit will be ½-inch above the concrete when installed.



**IMPORTANT:** Leveling the bottom nuts is crucial to leveling the unit. A small error will be magnified after installation.

**2.2** Set the Code Blue unit on the anchor bolts. Align the phone plate in the desired direction and lift the Code Blue unit over the anchor bolts. The unit may be lifted using the bracket on the inside of the unit. Note that the unit weighs approximately 200-400 pounds and that the 1 Series does not contain a bracket on the inside of the unit. Use appropriate lifting materials and methods to avoid possible injury and/or damage.



**IMPORTANT:** A ½-inch minimum air gap is required between the foundation and the unit to prevent moisture problems.



#### 3.0 Install the Base Gasket

3.1 Access the mounting studs through the access door on the side of the unit.



3.2 Set the gasket on the bolts and cut a small hole where the conduit is located.

Stretch the screen tightly around the conduit pipe. Slide the gasket over the bolts to the base of unit.



3.3 Place the second washer on the anchor bolt and place the nut on top.

Tighten the mounting nuts onto the anchor bolts. This may be more convenient if a long socket, extension and universal joint is used to tighten the hardware.



**\*For an extra-strong seal, a bead of silicone caulk can be put on the gasket from bolt hole to bolt hole before setting the gasket into place and around the conduit.**



## 24 CB 1-s with AED Installation Instructions

### 1.0 FOUNDATION (see anchor bolt installation instructions)

### 2.0 SET THE UNIT

- 2.1 **Screw one set of nuts and washers onto the anchor bolts** – After the foundation has set, screw one set of nuts followed by one set of washers onto the anchor bolts. Set the nuts so the lowest washer is about 2½ inches above the concrete and at an even height. To accomplish this, use a small level and check from front to back, side to side and diagonally. These nuts are NOT adjustable after the unit is in place. The bottom edge of the Code Blue unit will be ½-inch above the concrete when installed.

**IMPORTANT:** The leveling of the bottom nuts is crucial to the leveling of the unit. A small error in the adjustment of these will be magnified after installation.

**IMPORTANT:** A ½-inch minimum air gap is required between the foundation and the unit. Moisture problems may result if this condition is not complied with.

- 2.2 **Set the Code Blue unit on the anchor bolts** – Align the phone plate in the desired direction and lift the Code Blue unit over the anchor bolts. The unit may be lifted using the bracket on the inside of the unit. Note that the unit weighs approximately 360 pounds. Use appropriate lifting materials and methods to avoid possible injury and/or damage.

- 2.3 **Secure the Code Blue unit** – Access the mounting studs through the door on the side of the unit. Place the second washer, then nut and tighten the mounting nuts onto the anchor bolts. This may be more convenient if a long socket, extension and universal joint is used to tighten the hardware.

### 3.0 INSTALL THE AREA LIGHT (CB 1-s with AED Housing only)

- 3.1 **Remove packing material** – Remove all packing material and ensure that the bulb is tight.
- 3.2 **Install the light fixture** – Place the fixture on the bracket, just below the lens at the top of the unit.
- 3.3 **Connect the cord** – The power cord must be plugged into the plug near the bracket at the top of the bollard.

### 4.0 INSTALL THE DOME TOP ASSEMBLY

- 4.1 Remove the clear Lexan dome from the black metal casting. The casting complete with strobe should be brought to the top of the unit (pedestal) where the wiring will be connected (match black and red wire connectors; match yellow to yellow connectors). After the wiring is complete, set the white disc on top of the lens located inside the unit (CB 1-s with AED Housing only). Set the casting on top of the pedestal and fasten the casting to the unit by reaching through the casting openings and tightening the three 10-24 X 1-inch stainless steel thumbscrews against the inner wall. Finally, reattach the clear Lexan dome to the black metal casting with the security screws provided.

**NOTE:** Take care not to overdrive the security screws against the Lexan as fracturing may occur.

All wiring must be installed and connected by experienced and certified personnel to meet local and national electrical codes, and will include a service disconnect.

See diagrams next page



### 5.0 WIRING (refer to additional wiring instructions for the CB 1-s with AED Housing)

5.1 **Ground** – The ground (green) wire should be stripped and fastened to the supplied grounding lug.

5.2 **24V AC supply** – Using the proper crimping tool, attach a #8 fork to each of the incoming power wires and fasten them to the terminal screws labeled “Line” and “Neutral.”

5.3 **120V AC supply** – Using the proper crimping tool, attach a #8 fork to each of the incoming power wires and fasten them to the terminals as labeled on the transformer. After completing the wire connections, install the supplied terminal covers.

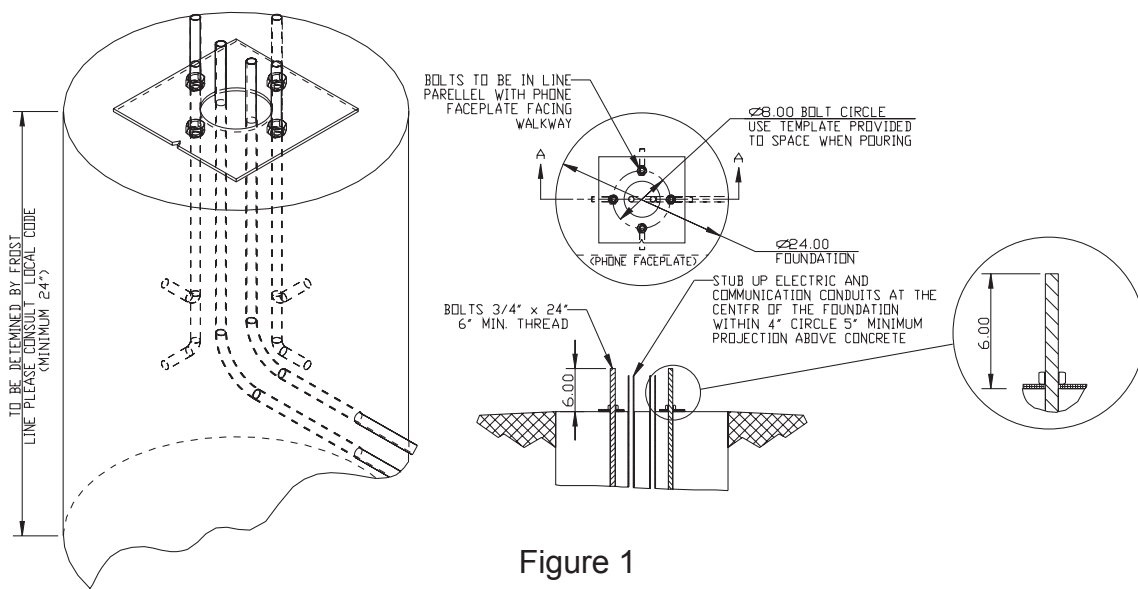
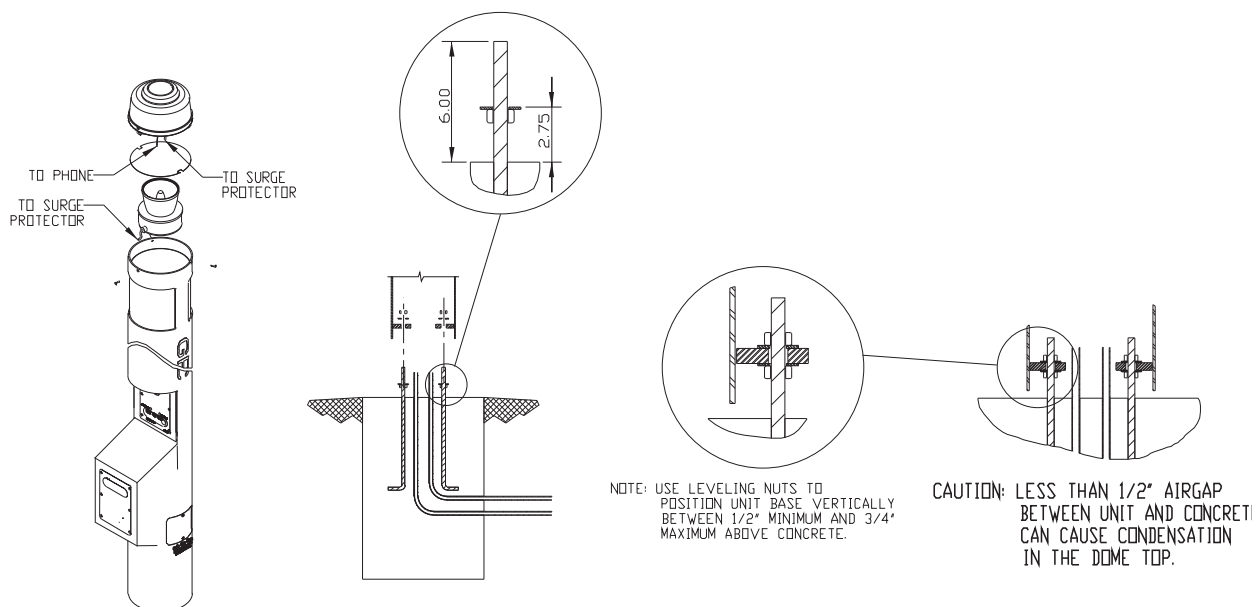


Figure 1



All wiring must be installed and connected by experienced and certified personnel to meet local and national electrical codes, and will include a service disconnect.



## 25 CB 1-w Installation Instructions

### IMPORTANT NOTICE

The following list is provided as a checklist for items required prior to installation or items that will be required on installation site:

1. Batteries must be FULLY bench charged before installation.
2. A local cellular dealer must provide a SIM card before unit can place calls.
3. Hand/Powered tools, including torque wrench; truck or mechanical lift for the CB 1 unit.
4. At least two people and ladders for attaching support collar, adjusting solar panel, etc.

### 1.0 FOUNDATION – (see Anchor Bolt Installation Instructions)

### 2.0 SET THE UNIT

- 2.1 **Turn One Set Of Nuts And Washers Onto The Anchor Bolts** – After the foundation has set, turn one set of nuts followed by one set of washers onto the anchor bolts. Set the nuts so the lowest washer is about 2½ inches above the concrete and at an even height. To accomplish this, use a small level and check from front to back, side to side and diagonally. These nuts are NOT adjustable after the unit is in place. The bottom edge of the Code Blue unit will be ½-inch above the concrete when installed.

**IMPORTANT:** The leveling of the bottom nuts is crucial to the leveling of the unit. A small error in the adjustment of these will be magnified after installation.

**IMPORTANT:** A ½-inch **minimum** air gap is required between the foundation and the unit. Moisture problems may result if this condition is not complied with.

- 2.2 **Set The Code Blue Unit On The Anchor Bolts** – Align the phone plate in the desired direction and lift the Code Blue unit over the anchor bolts. The unit may be lifted using the I-bolt provided and screwed into one of the solar threaded holes used to mount the solar panel. Note that the unit weighs approximately 400 pounds. Use appropriate lifting materials and methods to avoid possible injury and/or damage.

- 2.3 **Secure The Code Blue Unit** – Access the mounting studs through the door on the side of the unit, place the second set of washers and nuts on the studs and tighten the mounting nuts onto the anchor bolts. This may be more convenient if a long socket, extension and universal joint is used to tighten the hardware.

### 3.0 INSTALL THE SOLAR PANEL AND WIND GENERATOR

#### 3.1 Adjustable universal mount

- 3.1.1 **Attach The Aluminum Pole** – Place a combination washer (rubber, then metal) on each of the three 5/8 bolts with Loctite treated threads. Attach the pole to the top of the unit. See Fig. 1 below.

**NOTE:** Completely coat Loctite around the threads. Loctite MUST dry for 24 hours before being exposed to moisture.

**NOTE:** Each time the bolts are removed, they must be retreated with the Loctite PST.

**CAUTION:** Loctite PST is a skin irritant – use the enclosed rubber gloves to treat the threads.

See diagrams next page



*Dispose of gloves when completed.*

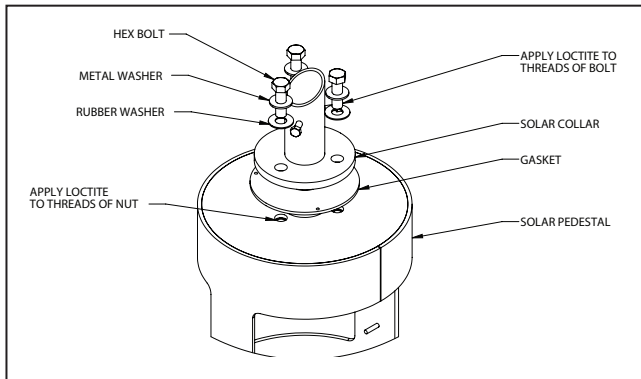


Figure 1

**3.1.2 Attach The Stainless Steel Sleeve** – The sleeve must be attached to the center of the solar panel and set at the correct angle based on the unit’s latitude. Use the two 3/8 bolts and nuts and four 3/8 washers provided. See the chart below for recommended settings (**Fig. 2**).

**3.1.3 Position The Solar Panel** – Slide the sleeve and panel assembly over the collar.

32° to 44° latitude	60° from horizontal
23.5° to 32° latitude	45° from horizontal
23.5° S to 23.5° N latitude	30° from horizontal

Figure 2

**NOTE:** Panel must face south and be at the proper angle.

**3.1.4** Once the panel is set in place, the two 3/8 set-screws should be tightened so that the panel is facing due south.

**3.1.5 Wiring** – Both the CB 1-w unit and the solar panel assembly are pre-wired from the factory with sufficient length wires to make the opposing connection with the exception of the antenna wire. The installer may choose to use one set as a “fish-tape” to pull the wires to the necessary opposing connection or shorten both sets of wires to make a “wire-nut” connection between the two wire sets within the stainless steel collar. Attach the antenna mount to the top of the solar panel using one of the top bracket cross head screws. The antenna wire must be run through the steel collar and passed to the solar panel conduit and run out of the power distribution box. Run the antenna cable along the back side of the solar panel frame.

**CAUTION:** Be sure wires are not pinched during panel assembly to unit. A shorted wire or loose connection will cause unit to fail.

## 4.0 INSTALL THE BATTERIES

**NOTE:** Batteries must be fully bench charged before installation.

**4.1 Place The Batteries Into The Unit** – Insert the battery shelf plates into the bottom access door.





One battery should be placed on each shelf.

4.2 **Connect The Wires** – First connect the red wire to the positive (+) lugs on the batteries, then connect the black wire to the negative (-) lugs.

**WARNING:** *Reversing the battery wires (reversed polarity) will cause damage to the charge controller.*



## 26 Cellular Retro Instructions (CB 4-u only)

### TELULAR SX-5E & CALLFINDER CX100FX2 GSM-4 TO GSM-5

#### Installation Instructions

#### Retrofit Instructions Telular & CallFinder

*We strongly advise reading these instructions before any work is started. In addition, the actual wiring may have changed by others, therefore the wiring guides provided are originals and here for your reference.*

*Some early 2002 designs: a total rebuild is more effective and easier to accomplish. Contact Customer Service a rebuild kit.*

#### Telular GSM Removal Instructions Specifically

If you still have a Telular cellular F.C.T. (Fixed Cellular Terminal), inside your CB 1 NightCharge® or CB 1-w (Solar), CB 4-u NightCharge® or CB 4-u Solar enclosure, it is a hardwired internal harness. The wiring in the enclosure is bundled, therefore removing two wires from the bundled group is very time consuming. You may choose to reuse existing wiring, or cutting and splicing the power wires is acceptable. If doing so, use self-sealing splices.

Consideration: abandoning the original power wires will require you to identify the harness and power panel in order to properly attach the new GSM-5 power wires. Review the list below for the most common configurations.

*Hint: Cellular power terminates on the same buss as the battery.*

#### Models involved in this Retro – Visual Refer document Attached

<b>CB1</b>	<b>CB 4-u</b>
<b>NightCharge® 2002, 2005, 2010</b>	<b>NightCharge® 2002, 2005, 2010</b>
<b>Solar 2005, 2008, 2010 - 13</b>	<b>Solar 2005, 2008, 2010 - 13</b>



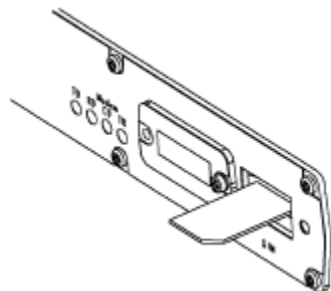
#### Multitech CallFinder™ Removal

The CallFinder unit is similar to the New GSM-5.

Antenna connector and antenna requirements are identical. Power connector is different in that the center connector is larger, therefore the power cable must be exchanged. Phone line connectors are also identical, RJ-11.

#### Steps

- a. Remove service door
- b. Disable the main source of power, as well as storage/battery power (positive)
  - Solar powered enclosures: Remove battery positive terminal from the barrier strip and insulate against accidental contact with barrier strip
- c. Remove Code Blue phone, 6 screws, then tilt the top of the faceplate outward and lift out.
  - Disconnect (unplug) all connections, and set phone aside.
- d. Locate the CallFinder. It's behind the phone and up. You should be able to see all three connections.
- e. Unscrew the antenna fitting
- f. Unplug the RJ-11 phone cable.
- g. Unscrew the threaded power connector, and mark this wire. You'll need to trace this wire later.
- h. Lift up the CallFinder ¼" and move forward. Gently lower and remove.
- i. With a #1 Philips screwdriver remove the two SIM cover plates.
  - Remove the SIM card with tweezers or needle nose pliers, and set aside. The same SIM card can be reused in the GSM-4.
- j. Follow the power harness wire to the terminal block, and remove the old CallFinder power forks from the barrier strip marking positive and negative.
- k. Next take the GSM-4 power cable and prep the wire as shown in Cellular Retro Instructions Doc supplied Page 3
  - Connect to the positive and negative terminals marked earlier.
- l. Now go to "Installing the GSM-4" step 5 on the next page.

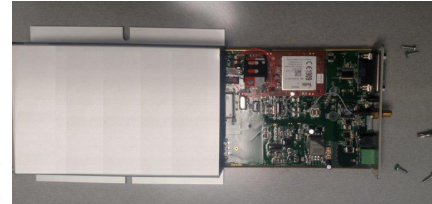




#### GSM-5

##### Installing the GSM-5

1. Before mounting the GSM-5 box, open the box by removing the four screws on the power input side of the GSM-5. You can slide out the tray and insert the SIM card into the SIM card holder. Unlock the card holder and tilt it up. Insert the SIM card with the contacts facing the PCB. Set the SIM card hold down flat and parallel with the board and slide to lock position. Return tray back in and secure screw in place.
2. Place the new GSM-5 in the same location, using same hanging method as the telular box did.
3. The new antenna (pulled in when you removed the original antenna), can now be threaded onto the GSM-5 SMA bulkhead fitting on the side of the blue box.
4. GSM-5 power connection: ID the positive and negative terminals from the previous device and mate the wire connections.
5. GSM-5 modular phone cable will directly plug into the A4100 series phones directly. If you have the IA3100 speakerphone, it has a screw terminal connector in place of a phone jack. Reuse the IA3100 phone cable in place of the GSM-5 phone cable. The RJ-11 connector will fit through the water tight fitting without damaging the RJ end.
6. Review all electrical connections related to the GSM-5: antenna, phone line, power (along with its correct polarity). CONNECT BATTERY POWER, BACK UP, THEN MAIN POWER in the case of NightCharge®.
7. Watch the status lights on the GSM-5 for registration. The middle LED indicator constant = Registered. See GSM-5 LED Indicator Readout on the next page.
8. Place the speakerphone back into the enclosure and replace the screws.
9. Activate the phone to test the GSM-5 ability to place a call. If you're able to place a complete call, it's time to wrap it up. If not, call Tech Support for assistance.
10. Replace the service door and screws.





### GSM-5 LED Indicator Readout External Interfaces - Front Panel



#### Received Signal Strength Indicator

A stack of four green LEDs on the left side of the front panel indicate the relative signal strength of the cellular radio signal. It is analogous to the 'bars' display on a cellular telephone handset.

#### RSSI Indicator

LEDs ILLUMINATED	SIGNAL STRENGTH	RSSI (dBm)
4	Excellent	-73 or better
3	Good	-83 to -74
2	OK	-93 to -84
1	Marginal	-109 to -94

If no signal is detected, the LEDs on the stack alternately illuminate from bottom to top and back in a 'scanning' manner.

#### GPS Indicator

The bottom (#1 'Marginal') LED on the RSSI indicator will blink several times for one second every 10 seconds to indicate a GPS location fix is available. This indication is independent of the cellular signal strength indication.

#### LED Operational Indicator

LED	LED COLOR	INDICATION
POWER	Red	Power status
CELLULAR	Yellow	Cellular radio status
STATUS	Green	System status

General status conditions can be inferred as follows:

- Green and Yellow LED continuously ON: during initialization (following the application of power or a manual RESET).
- Yellow LED blinks every 2.5 seconds – wireless registered on network.
- Yellow LED ON - when cellular call connected.
- Green LED fast blink - when on hook (no call in progress)
- Green LED - ON when off hook (during call)

#### Power (red) LED

LED STATUS	INDICATION
ON	System is powered
OFF	System has no power
Blinking	System Fault



#### Cellular (yellow) LED

LED STATUS	CELLULAR RADIO
OFF	Off
ON	* Not registered - or - Call active
Blinking 1sec on + 2 sec off	Registered in idle

\* When the CELLULAR LED stays on (not registered) for more than a few minutes after powering the POTSwap, it is usually an indication of a poor antenna connection or a problem with the activation on the cellular network. Check that the SIM card is properly installed and that it has valid activation with a cellular carrier.

#### Status (green) LED

LED STATUS	INDICATION
ON	Phone line (RJ11) is OFF-HOOK (also during initialization)
Blinking fast (12.5 Hz)	Phone line (RJ11) is ON-HOOK
Blinking slow (1 Hz)	Initializing



## 27 CB 1 Series Anchor Bolt Installation Instructions

### 1.0 FOUNDATION

1.1 Conduit – Electrical and telephone line conduit, with a maximum combined diameter of four inches, should be run up through the center of the foundation hole. A minimum of four inches and a maximum of six inches of conduit above the finished grade level is required. To ensure proper grounding, a ½-inch x 8-foot copper rod should be inserted in the center of the foundation and tied to the steel pedestal.

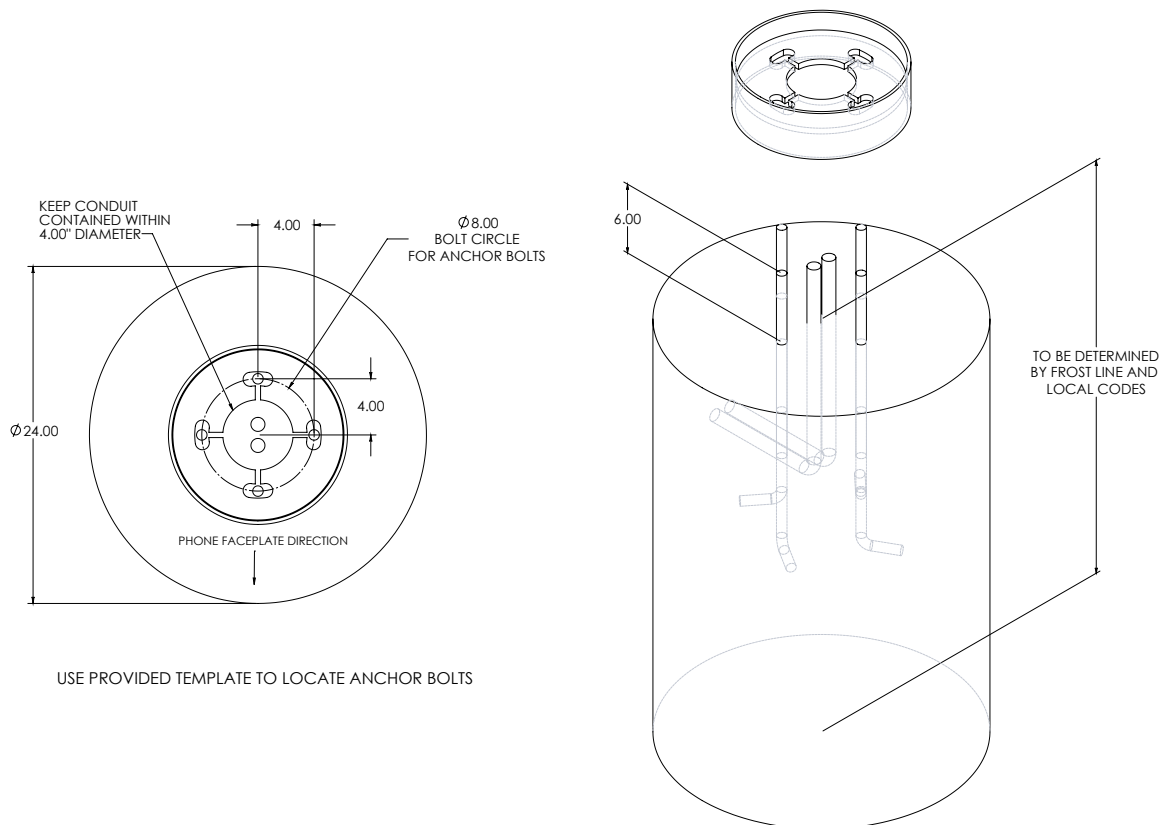
**NOTE:** Follow all national and local codes governing this installation.

1.2 Pour the Foundation – The foundation should be at least 24 inches in diameter and to the correct depth for the frost line in your area, with a minimum depth of at least three feet (follow local building codes for foundations).

1.3 Set the Anchor Bolts in the Wet Foundation – Four 24-inch L-shaped anchor bolts and an aligning template are supplied for anchoring the Code Blue unit. The bolts should be set into the foundation so that six inches are left showing above the finished grade level. The anchor bolts should be aligned, using the supplied template in such a way that the phone faceplate on the unit will face in the desired direction.

### 2.0 WIRING

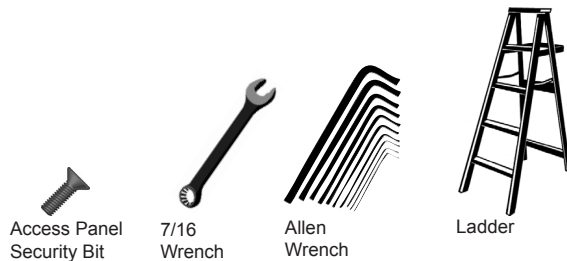
2.1 Pull power and phone line up through the conduits – A minimum of two feet of wire must be available from the conduit for electrical and communications wiring.





## 28 Overhead Camera Mount Installation Instructions

### TOOLS REQUIRED



#### 1.0 RETRO-FITTING EXISTING UNIT

- 1.1 If applicable, remove dome top assembly prior to installation. **New style dome top assembly is required to access installation screws on Overhead Camera Mount.**

#### 2.0 INSTALL CAMERA MOUNT

- 2.1 Locate and install the three ½ x 1-inch hex Allen screws from the inside of the mounting ring. Be sure the Allen screws do not extend beyond the outside of the ring.
- 2.2 Install the camera mount on top of the unit. Rotate to desired position.

**NOTE:** *If retrofitting existing unit with three countersunk holes near the top of the bollard, the Overhead Camera Mount may be rotated to align the clearance holes with holes in the unit. The three countersunk screws and nuts provided may be used to cover these holes. **The three Allen screws MUST be used to secure the Overhead Camera Mount to the unit.***

- 2.3 Verify camera mount is evenly positioned to ensure gasket seal is seated appropriately 360 degrees.
- 2.4 Apply downward pressure while simultaneously tightening the three ½-inch set screws until snug against the inside of the pedestal.

#### 3.0 INSTALL CAMERA

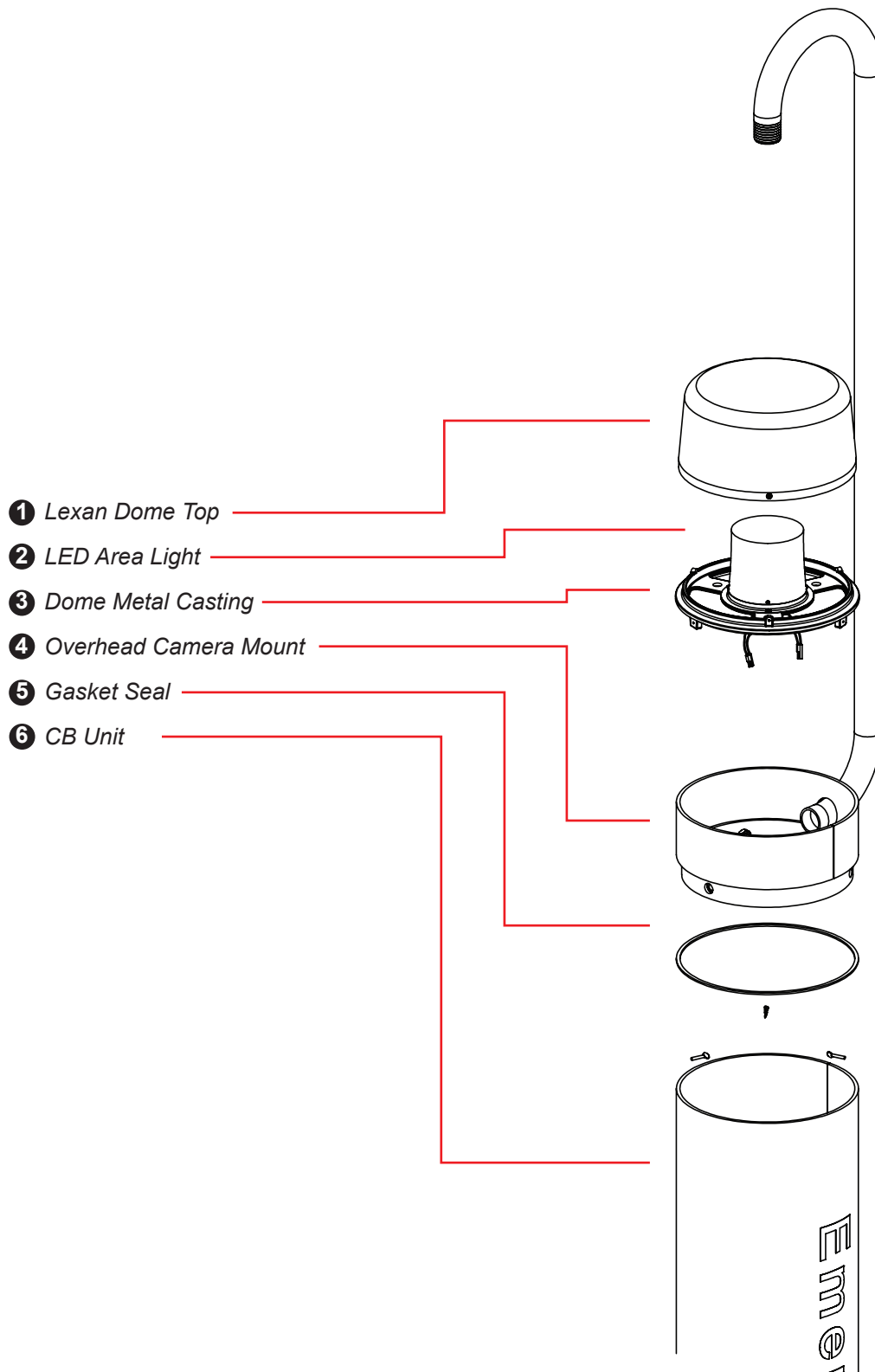
- 3.1 Camera and wiring (by others) is installed into the male 1 ½ NPT.

#### 4.0 INSTALL THE DOME TOP ASSEMBLY

- 4.1 Remove the clear Lexan dome from the black metal casting.
- 4.2 The casting, complete with strobe, should be brought to the top of the unit (Overhead Camera Mount) where the wiring will be connected (see wiring instructions).
- 4.3 After the wiring is complete, set the casting on top of the unit and fasten the casting to the Overhead Camera Mount by reaching through the casting openings and tightening the three 10-24 X 1-inch stainless steel thumbscrews against the inner wall.
- 4.4 Finally, reattach the clear Lexan dome to the black metal casting with the security screws provided.

All wiring must be installed and connected by experienced and certified personnel to meet local and national electrical codes, and will include a service disconnect.







## 29 Line Power Installation Instructions

(Excludes NightCharge® and Solar Options)

**IMPORTANT:** All wiring shall comply with national and local codes governing this installation. It is the responsibility of the installer to ensure these conditions are complied with.

### 1.0 SUPPLY WIRING

- 1.1 Pulling the power wires – Wire should be a minimum of 14 AWG and be pulled into the unit, leaving a minimum of two feet of wire from the opening of the conduit.
- 1.2 Pulling the communications wire (if needed) – Communications wire must be shielded phone line. The phone line must be pulled into the unit using a separate conduit from the power, and be run so as to extend a minimum of two feet out of the phone opening.

### 2.0 CONNECT THE POWER WIRES

- 2.1 Make the connections – Locate the grounding lug and connect the ground wire.
- 2.2 Using 115V AC supply – Connect the colored (hot) wire to the black wire, and connect the white or gray (neutral) wire to the white wire.
- 2.3 Higher voltage supply – If the unit was ordered for a higher voltage, a pre-wired power brick will be located on the top of the electrical panel with a 24 volt secondary to supply the low voltage manifold and power brick to supply the area light. Connect the colored (hot) wire and the white or gray (neutral) wire to the white wire in the junction box.

**3.0 CONNECT THE PHONE LINE** (if required) – See phone **Installation Instructions**.

**4.0 APPLY POWER** – The unit should become operational immediately after the power is energized.



## 30 CB 1 Series Public Address Installation Instructions

### 1.0 FOUNDATION (see Anchor Bolt Installation Instructions)

#### 2.0 SET THE UNIT

- 2.1 **Screw one set of nuts and washers onto the anchor bolts** – After the foundation has set, screw one set of nuts followed by one set of washers onto the anchor bolts. Set the nuts so the lowest washer is about 2½ inches above the concrete and at an even height. To accomplish this, use a small level and check from front to back, side to side and diagonally. These nuts are NOT adjustable after the unit is in place. The bottom edge of the Code Blue unit will be ½-inch above the concrete when installed.

**IMPORTANT:** *The leveling of the bottom nuts is crucial to the leveling of the unit. A small error in the adjustment of these will be magnified after installation.*

**IMPORTANT:** *A ½-inch minimum air gap is required between the foundation and the unit. Moisture problems may result if this condition is not complied with.*

- 2.2 **Set the Code Blue unit on the anchor bolts** – Align the phone plate in the desired direction and lift the Code Blue unit over the anchor bolts. The unit may be lifted using the bracket on the inside of the unit.

Note that the unit weighs approximately 390 pounds. Use appropriate lifting materials and methods to avoid possible injury and/or damage.

- 2.3 **Secure the Code Blue unit** – Access the mounting studs through the door on the side of the unit. Place the second washer then nut and then tighten the mounting nuts onto the anchor bolts. This may be more convenient if a long socket, extension and universal joint is used to tighten the hardware.

#### 3.0 INSTALL THE DOME TOP ASSEMBLY

- 3.1 Remove the clear Lexan dome from the black metal casting. The casting, complete with strobe, should be brought to the top of the unit where the wiring will be connected (match black and red wire connectors; match yellow to yellow connectors).
- 3.2 After the wiring is complete, set the white disc on top of the lens located inside the unit (CB 1-d/1-s with Public Address only).
- 3.3 Set the casting on top of the unit and fasten the casting by reaching through the casting openings and tightening the three 10-24 X 1-inch stainless steel thumbscrews against the inner wall.
- 3.4 Finally, reattach the clear Lexan dome to the black metal casting with the security screws provided.

**NOTE:** *Take care not to overdrive the security screws against the Lexan as fracturing may occur.*

#### 4.0 WIRING (refer to PAS WIRING DIAGRAM for additional details)

- 4.1 **Ground** – The ground (green) wire should be stripped and fastened to the supplied grounding lug.
- 4.2 **24V AC supply** – Using the proper crimping tool, attach a #8 fork to each of the incoming power wires and fasten them to the terminal screws labeled “Line” and “Neutral.”

*See diagrams next page*



4.3 120V AC supply – Using the proper crimping tool, attach a #8 fork to each of the incoming power wires and fasten them to the terminals as labeled on the transformer. After completing the wire connections, install the supplied terminal covers.

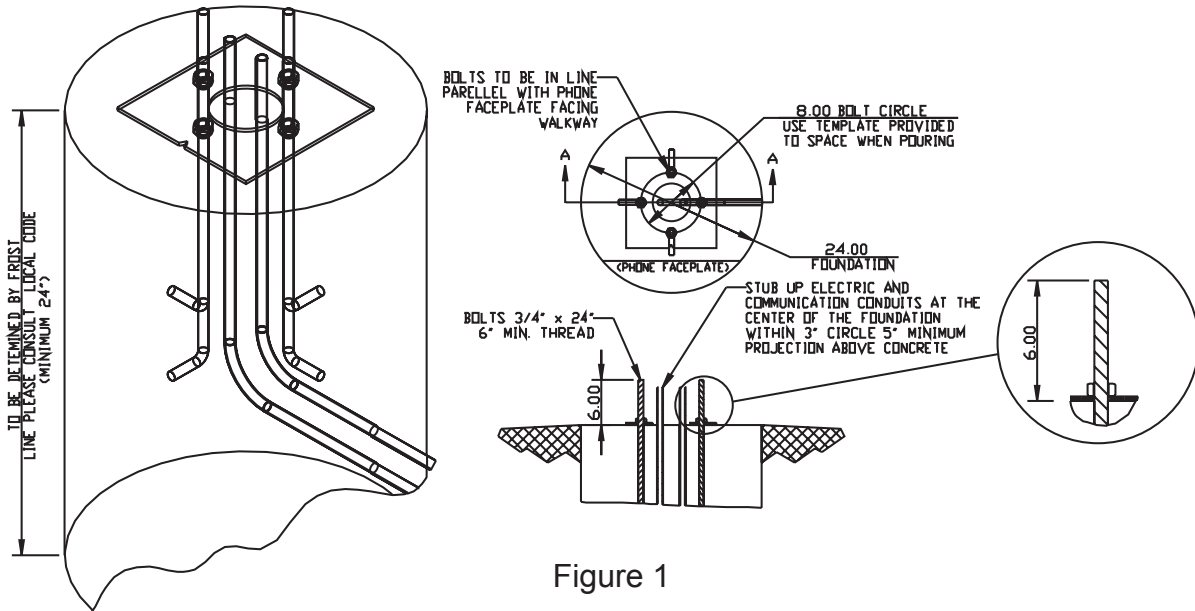
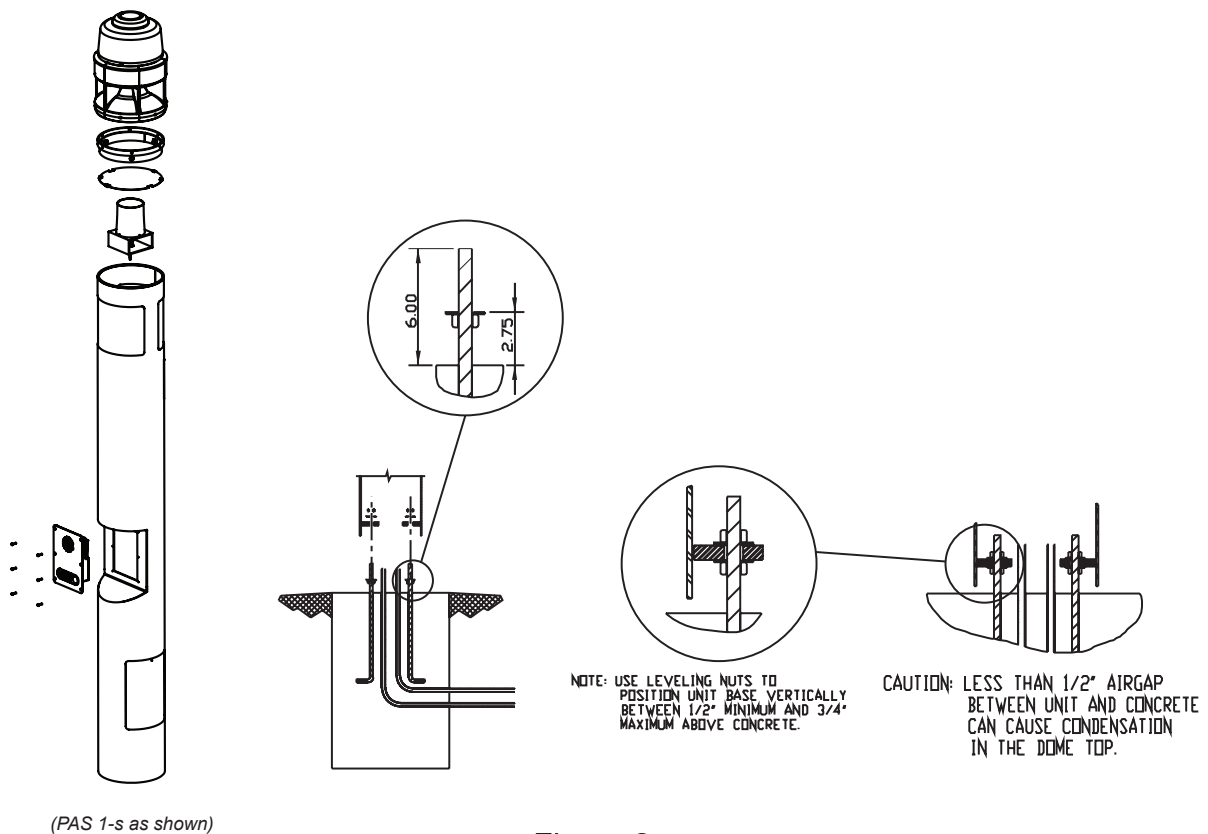


Figure 1



(PAS 1-s as shown)

Figure 2

All wiring must be installed and connected by experienced and certified personnel to meet local and national electrical codes, and will include a service disconnect.



## 31 NightCharge® Installation Instructions

**CAUTION:** Do NOT apply power to the unit until all other conditions are made. See Step 6.

**IMPORTANT:** All wiring shall comply with national and local codes governing this installation. It is the responsibility of the installer to ensure these conditions are complied with.

### 1.0 SUPPLY WIRING

- 1.1 Pulling the power wires – Wire should be a minimum of 14 AWG and be pulled into the unit, leaving a minimum of two feet of wire from the opening of the conduit.
- 1.2 Pulling the communications wire (if needed) – Communications wire must be shielded phone line. The phone line must be pulled into the unit using a separate conduit from the power, and run to extend a minimum of two feet out of the phone opening.

**2.0 CONNECT THE PHONE LINE** (if needed) – See phone installation instructions.

### 3.0 OPTIONAL DIGITAL TRANSCEIVER (Model CB 1)

- 3.1 Remove GSM digital panel assembly from carton and hang over mounting plate inside unit behind phone opening.
- 3.2 The antenna is installed inside the dome top assembly at the factory.  
**NOTE:** Dome top assembly may need to be rotated so antenna is positioned to achieve best signal.
- 3.3 Attach antenna cable male TNC fitting to the GSM enclosure female TNC fitting.
- 3.4 Attach the GSM positive Red wire to terminal strip screw #8 location and the negative Black wire to terminal strip location #5.
- 3.5 Attach the phone wires from the GSM assembly to terminals 1 and 2 on the IA4100 4 pin connector.
- 3.6 Set up GSM card. Refer to GSM digital set up instructions.

### 4.0 OPTIONAL DIGITAL TRANSCEIVER

- 4.1 Remove GSM digital housing assembly from carton and mount assembly to the pole using banding provided.
- 4.2 The antenna is installed to the 2-gang bell box at the factory. Mount the antenna assembly to the pole using the banding provided. Assembly may need to be rotated to achieve best signal.
- 4.3 Attach antenna cable male TNC fitting to the GSM enclosure female TNC fitting.
- 4.4 Attach the GSM positive red wire to terminal strip screw #8 location and the negative black wire to terminal strip location #5.



- 4.5 Attach the phone wires from the GSM assembly to terminals 1 and 2 on the IA4100 4 pin connector.
- 4.6 Set up GSM card. Refer to GSM digital set up instructions.

#### 5.0 CONNECT THE POWER WIRES

- 5.1 Make the connections – First, locate the grounding lug and connect the ground wire, leaving a minimum of six inches of slack. Second, using #8 forks, connect the power wires.
- 5.2 Using 115V AC supply: Connect the colored (hot) wire to the terminal screw furthest to the left (#1) on the terminal strip. Connect the white (neutral) wire to the terminal screw second to the left (#2) on the terminal strip.
- 5.3 Higher voltage supply: If the unit was ordered for a higher voltage, a multi-tap transformer will be located at the top of the electrical panel. Be sure to connect your power wires to the correct terminal screws on the top of the transformer as labeled. Complete the connection by attaching the terminal cover that is supplied.

**IMPORTANT:** *If the power is applied to the incorrect terminal screws, damage will occur to the unit. This damage will NOT be covered by any Code Blue warranty.*

#### 6.0 INSTALL THE BATTERY

**IMPORTANT:** *Batteries MUST be fully bench charged before installation.*

- 6.1 Place the battery into the unit – The battery should be placed in the bottom of the unit (in a CB 1 or CB 9 unit the battery shelf will need to be set in place first).
- 6.2 Connect the wires – First connect the blue wire to the positive lug on the battery, then connect the black wire to the negative lug.

#### 7.0 APPLY POWER

- 7.1 Once power is applied, the unit will start the charging process.



## 32 Solar and WindAssist™ Installation Instructions

### IMPORTANT NOTICE

The following list is provided as a checklist for items required prior to installation or items that will be required on installation site:

1. Batteries must be FULLY bench charged before installation.
2. A local cellular dealer must provide a SIM card before unit can place calls.
3. Hand/Powered tools, including torque wrench, truck or mechanical lift for the CB 1 unit.
4. At least two persons and ladders for attaching support collar, adjusting solar panel, etc.

### 1.0 FOUNDATION – (see Anchor Bolt Installation Instructions)

### 2.0 SET THE UNIT

- 2.1 **Turn one set of nuts and washers onto the anchor bolts** – After the foundation has set, turn one set of nuts followed by one set of washers onto the anchor bolts. Set the nuts such that the lowest washer is about 2½ inches above the concrete and at an even height. To accomplish this, use a small level and check from front to back, side to side and diagonally. These nuts are NOT adjustable after the unit is in place. The bottom edge of the Code Blue unit will be ½-inch above the concrete when installed.

**IMPORTANT:** The leveling of the bottom nuts is crucial to the leveling of the unit. A small error in the adjustment of these will be magnified after installation.

**IMPORTANT:** A ½-inch minimum air gap is required between the foundation and the unit. Moisture problems may result if this condition is not complied with.

- 2.2 **Set the Code Blue unit on the anchor bolts** – Align the phone plate in the desired direction and lift the Code Blue unit over the anchor bolts. The unit may be lifted using the I-bolt provided and screwed into one of the solar threaded holes used to mount the solar panel. Note that the unit weighs approximately 400 pounds. Use appropriate lifting materials and methods to avoid possible injury and/or damage.

- 2.3 **Secure the Code Blue unit** – Access the mounting studs through the door on the side of the unit, place the second set of washers and nuts on the studs and tighten the mounting nuts onto the anchor bolts. This may be more convenient if a long socket, extension and universal joint is used to tighten the hardware.

### 3.0 INSTALL THE SOLAR PANEL AND WIND GENERATOR

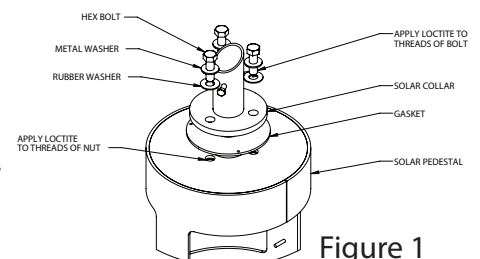
#### 3.1 Adjustable universal mount

- 3.1.1 **Attach the aluminum pole** – Place a combination washer (rubber, then metal) on each of the three 5/8 bolts with Loctite treated threads. Attach the pole to the top of the unit. See Fig. 1.

**NOTE:** Completely coat Loctite around the threads. Loctite MUST dry for 24 hours before being exposed to moisture.

**NOTE:** Each time the bolts are removed, they must be retreated with the Loctite PST.

**CAUTION:** Loctite PST is a skin irritant – use the enclosed rubber gloves to treat the threads. Dispose of gloves when completed.





3.1.2 **Attach the aluminum bracket to the solar panel** – Use the four 3/8 bolts and nuts and four 3/8 washers provided. Fish the pull wire out of the pull box to facilitate pulling the solar and wind generator wires into the unit for connection.

3.1.3 **Mount and position the solar panel** – Slide the aluminum bracket sleeve over the pole. The sleeve will rest on the collar of the aluminum pole just above the pull box. Point the solar panel due south and securely tighten the two 3/8 set-screws. Feed the power and antenna wires through the open hole in the bottom of the pull box. Attach the connector with the supplied lock nut and allow the wires to hang out of the box.

3.2 **Attach blades to the blade hub** - Assembly requires mounting the blades on the blade hub, securing the hub to the turbine body and installing the nosecone on the blade hub. The necessary hex key (Allen wrench) is furnished with WindAssist.

### 3.2.1 Torque Specifications

3.2.1.1 Blade to hub screw, 1/4 - 20 x 1.25, socket head screw 10 ft. lbs. (13.6 Nm)

3.2.1.2 Hub to rotor nut, 5/8-18, 50 ft. lbs. (68 Nm)

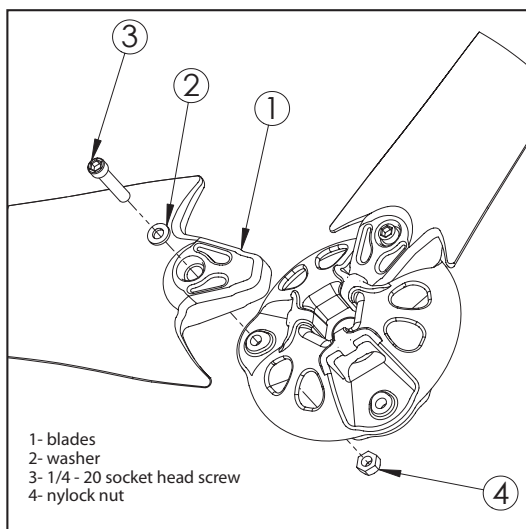
3.2.1.3 Yaw clamp bolts, M5-0.8 x 35 mm 6 ft. lbs. (8 Nm)

3.2.2 Start the assembly by mounting the blades (callout 1) to the blade hub as shown in **Fig. 2**. Place a nylock nut (callout 4) in the hexagonal detent on the back of the blade hub while positioning the blade on the hub. The blades must be “tilted” into position on the hub and can only be installed in one orientation.

3.2.3 Place a washer (callout 2) on a 1/4 - 20 socket head screw (callout 3) and coat the screw threads with Tef-Gel. Pass the screw through the base of the blade and screw it into the nylock nut. Tighten the screw to 10 ft. lbs. (13.6 Nm).

3.2.4 Repeat for the remaining two blades.

**NOTE:** Nylock nuts may only be used one time; replace after each use.



3.3 **Turbine wiring** – Before mounting the turbine, mate the red, black and green connectors of the turbine to the pre-installed wire harness in the mounting pole.

3.4 **Mount the wind generator** – Route the wires down the tower and slide the turbine yaw over the tower top. After the yaw is completely lowered onto the tower top, lift the yaw approximately 1/8 inch (3 mm) to 1/4 inch (6 mm) so the only contact between the yaw and tower top is through the rubber isolation pad. This will reduce noise and vibration transmission to the tower.

3.4.1 Once the yaw is positioned on the tower, secure the yaw clamp screws using the supplied 5/32 inch hex key wrench. Torque to 5 ft. lbs. (6.8 Nm). If blade/hub assembly is not already installed on turbine, it may be installed now. Position the 5/8-18

nut in the hexagonal detent at the center of the hub. Coat the shaft threads and blade hub bore with Tef-Gel and “spin” the hub completely onto the turbine alternator shaft. Fully tighten hub to 50 ft. lbs. (67.79 Nm) by inserting a 5/16 inch hex key wrench in the turbine alternator shaft and attempting to turn the shaft while holding the blades.



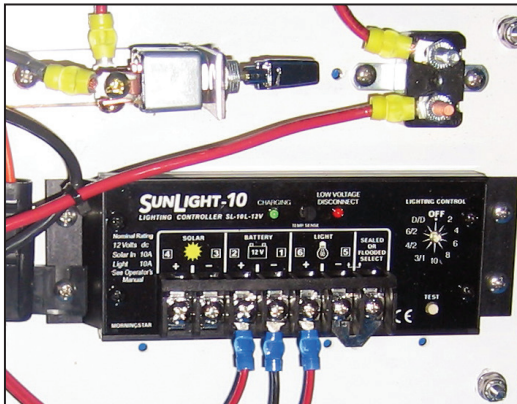


3.4.2 Snap the nosecone into position over the outside edges of the blade hub.

3.4.3 Make sure all three edges of the nosecone snap over the edge of the blade hub. After installation tug on the nosecone to make sure it is securely attached.

3.5 **Fish the wires into the unit and connect them to the battery** – Use the existing pull wire and attach the solar panel, wind generator and antenna wires to pull down into the unit. Once the wires are into the unit, separate them. Attach the supplied forks to each black and red wire. The green wire should be attached to the existing ground lug on the bottom of the panel. One set of wires will have white electrical tape approximately 8-10 inches from the end. These are the solar panel wires.

3.6 **Attach the solar panel wires** – Connect the red wire to the solar charge controller on the positive (+) lug and the black wire on the negative (-) lug. These lugs are under the sunshine icon (See **Figure 3**).



3.7 **Attach the wind generator wires** – Connect the red wire to the center screw terminal on the stop switch. Connect the black wire to the same screw terminal the existing black wire is connected to (See **Figure 3**).

3.7.1 When the stop switch is pushed towards the panel the unit is in charging mode.

3.7.2 When the stop switch is centered, it is not charging and the blades are in a free spin mode.

3.7.3 When the stop switch is pulled toward the access door, the blades will stop for maintenance.

## 4.0 INSTALL THE BATTERIES

**NOTE:** Batteries must be FULLY bench charged before installation.

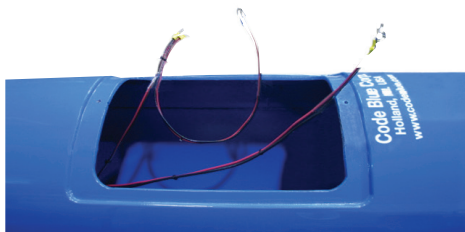
**WARNING:** Reversing the battery wires (reversed polarity) will cause damage to the solar charge controller, wind generator GSM and IP wireless circuits and is NOT covered by the warranty.

4.1 **Place the batteries into the unit** – Insert the battery shelf plates into the bottom access door. One battery should be placed on each shelf.

4.2 **Connect the wires** – Connect the large gauge wires with yellow rings to the bottom battery along with the smaller gauge blue ringed wires. Connect the red wires to the positive (+) lugs on the batteries, then connect the black wires to the negative (-) lugs. Install the second battery shelf plate and insert the top battery. Connect the small gauge yellow ringed wires to the battery. Connect the red wire to the positive (+) lugs on the batteries, then connect the black wire to the negative (-) lugs (See **Figure 4**).

## 5.0 INSTALLING THE GSM CELLULAR UNIT

**NOTE:** A local cellular dealer must provide a SIM card before it can place calls.



### 5.1 Installation

5.1.1 Remove the GSM unit from its shipping box.



5.1.2 Use a small Phillips screwdriver to remove the SIM cover screw that is closest to the edge of the chassis. Loosen the second SIM screw slightly, rotate the cover 180 degrees, and re-tighten the second SIM screw slightly to keep the SIM compartment open (See **Figure 5**).

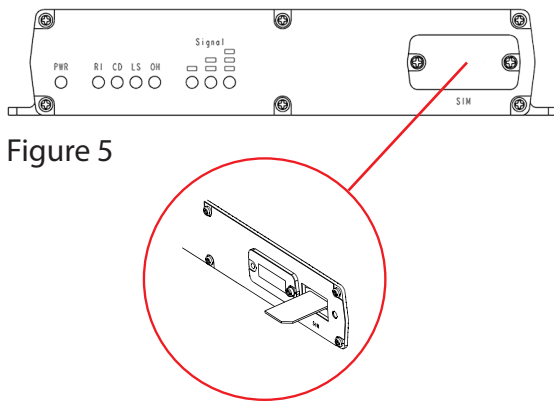


Figure 5

5.1.3 Orient the SIM to match the marking in the SIM compartment (the notched part of the SIM should be near the outer edge of the GSM unit). Insert the SIM into its receptacle (a small needle-nosed pliers can be helpful). Loosen the SIM cover screw slightly, rotate the SIM cover 180 degrees to its closed position and tighten both SIM cover screws.

5.1.4 Copy the unit's IMEI and Serial Number on the back for the cellular carrier before remounting the unit to the hanger plate.

5.1.5 Attach the antenna to the GSM unit.

5.1.6 Be sure that the **VOICE/DATA** switch is in the "VOICE" position.

5.1.7 Connect power to the GSM unit.

5.1.8 Connect the RJ-11 cable to the FXS port on the rear of the GSM unit.

**NOTE:** The FXO port is not used; see **Figure 6**

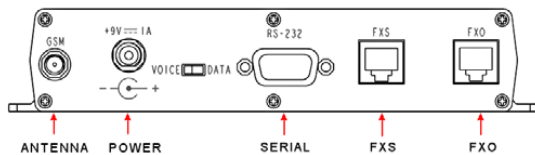


Figure 6

5.1.9 Mount the GSM unit on the plate behind the phone with the mounting plate provided.

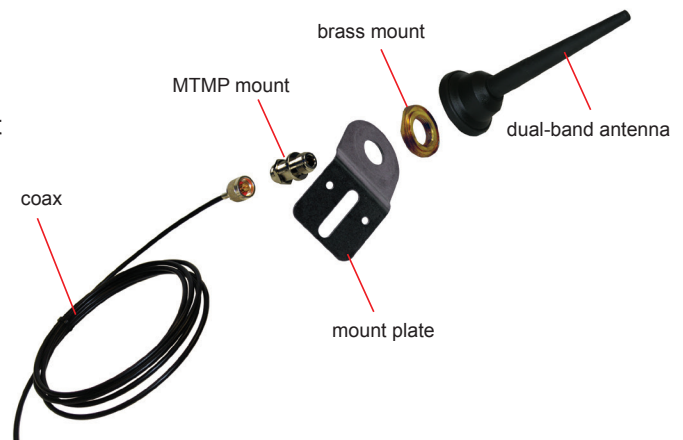
## 6.0 NMO MOUNT ANTENNA ASSEMBLY

6.1 Insert MTMP assembly through 5/8" mount plate hole and tighten securely with lock washer and hex nuts provided.

6.2 Use one seal gasket for watertight seal around 3/4" brass mount.

6.3 Attach antenna base securely to mount, then use an N-type connector to connect the mount to the cable.

6.4 See **Figure 7** for antenna parts assembly.





## 33 AED Access Instructions

The following four methods can be used to access the Automated External Defibrillator (AED) device:

1. When the red button is depressed, the unit will make a call. After the call has been answered, the answering party can then depress the appropriate incall command on their telephone keypad. This will release the door latch, giving the caller access to the AED device.
2. The units have a key fob supplied at the time of purchase. This key fob can be used within approximately a 20-foot radius to release the door latch, giving the caller access to the AED device.
3. The unit can be called and placed into two-way monitor mode. At this time, the person calling the unit can depress the 6 key on their telephone keypad which, will provide access to the AED device.
4. The access panel on the back of the Code Blue unit is removed and the manual latch release is pulled, granting access to the AED device.

Typically, AED manufacturers recommend that the device be checked once per week for proper operation. Some units will give an audible “chirp” if the self diagnostics have failed and the unit needs service; others may use another indicator to verify its status. Refer to manufacturers’ maintenance instructions for correct diagnostic testing to ascertain whether the device requires service or not.

In addition, review the manufacturer’s replacement policy for pad and battery replacement. Pay close attention to the AED temperature specifications and note that the life of the AED battery can be greatly affected by extreme heat or cold environments, reducing the capacity by up to 50 percent.

**Additional AED Housing key fobs are available under Part #41107.**

Each Code Blue unit can sync up to 40 different fobs. If a new user key fob is added, then the rule is “first in, first out”. For example, No. 41 will push out the first user of the system.

### PROGRAMMING:

Open the Code Blue unit (our special security bit will be required). Once inside, you will see the door controller (pictured below).

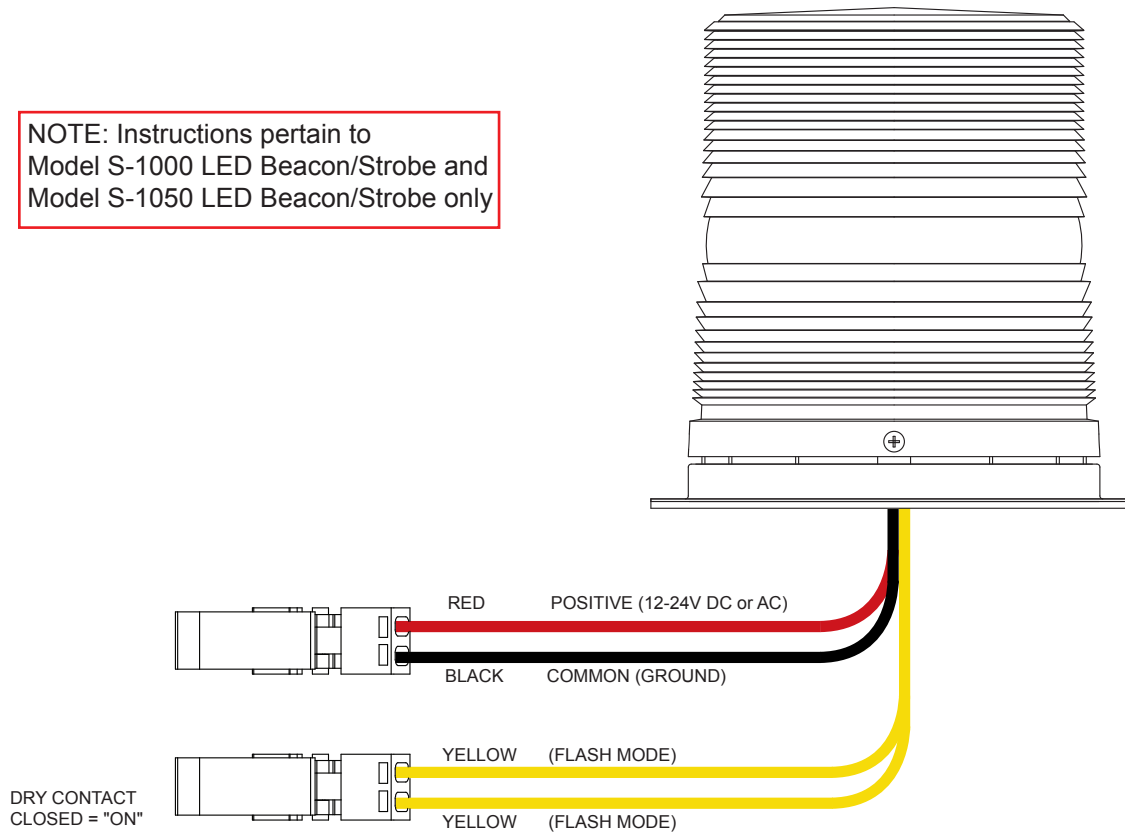


To program, insert a small screw driver into the hole next to the green light and hold down the button inside. When the green light starts flashing, hold down the button on the FOB until the green light is solid. The fob and controller will be synced.



### 34 S-1000 & S-1050 Installation Instructions

NOTE: Instructions pertain to Model S-1000 LED Beacon/Strobe and Model S-1050 LED Beacon/Strobe only



**CAUTION: REMOVE ALL POWER FROM UNIT BEFORE SERVICING.**

#### OPERATION

To activate the LEDs in the PRIMARY-STEADYBURN MODE, connect the BLACK and RED wires to 12-24 volts AC or DC.

When in PRIMARY-STEADYBURN MODE, to change the LEDs to SECONDARY-FLASH MODE, connect both YELLOW control wires together (i.e., CLOSED = ON).

#### PHOTOCELL FEATURE (S-1050 MODEL)

The Steadyburn Mode will be ON in dark or night ambient environments and OFF in bright or daylight ambient environments. The S-1050 LED Beacon/Strobe has two built-in photo response features: (a) dawn/dusk transition delay of 15-30 minutes and (b) transient light acknowledgement delay of at least 3 minutes.



### PROGRAMMING PRIMARY & SECONDARY MODES

1. Remove power from unit.
2. Short the Yellow wires together.
3. Restore power to the unit and wait until the unit begins to flash. Once the unit begins to flash, remove the short. The unit will alternately demonstrate the Secondary-Flash Mode and Primary-Steadyburn Mode that will be displayed during operation. For approximately 4 seconds the Secondary-Flash Mode will be demonstrated, followed by the Primary-Steadyburn Mode.
4. To select the next mode of operation, momentarily short the yellow wires. The unit will cycle to the next mode in the list above.

MODE NUMBER	PRIMARY-STEADYBURN MODE	SECONDARY-FLASH MODE
1	High	Single - 60 FPM
2	OFF	Single - 60 FPM
3	Low	Single - 60 FPM
4	High	Single - 150 FPM
5	OFF	Single - 150 FPM
6	Low	Single - 150 FPM
7	High	Single - 375 FPM
8	OFF	Single - 375 FPM
9	Low	Single - 375 FPM
10	High	Neobe - 75
11	OFF	Neobe - 75
12	Low	Neobe - 75
13	High	Neobe - 150
14	OFF	Neobe - 150
15	Low	Neobe - 150
16	High	Double - 125
17	OFF	Double - 125
18	Low	Double - 125
19	High	Double - 250
20	OFF	Double - 250
21	Low	Double - 250

5. There are seven Flash Modes and three Steadyburn Modes combinations to choose from.
6. When you reach the desired mode of operation, remove power from the unit. You MUST leave power disconnected for 20 seconds BEFORE reapplying. When power is reapplied, the unit will operate as programmed above.

**NOTE:** If you do not leave power disconnected for 20 seconds before reapplying power, the light will default to Program Mode.

<b>INPUT VOLTAGE RANGE:</b> 12-24V AC or DC		
<b>TEMPERATURE RATING:</b> -40° C to +65° C (-40° F to 149° F)		
<b>TYPICAL POWER CONSUMPTION AT 25°C</b>		
	Voltage Flash Mode	Steady Mode - High
12V DC	0.24 A Max	0.24 A
24V DC	0.12 A Max	0.12 A
12V AC	1.1 A rms Max	0.53 A rms
24V AC	0.22 A rms Max	0.22 A rms
NOTE: Average current draw in Flash Mode will vary by selected Flash Mode. The above maximum amperage draw is stated at Single 60 FPM.		



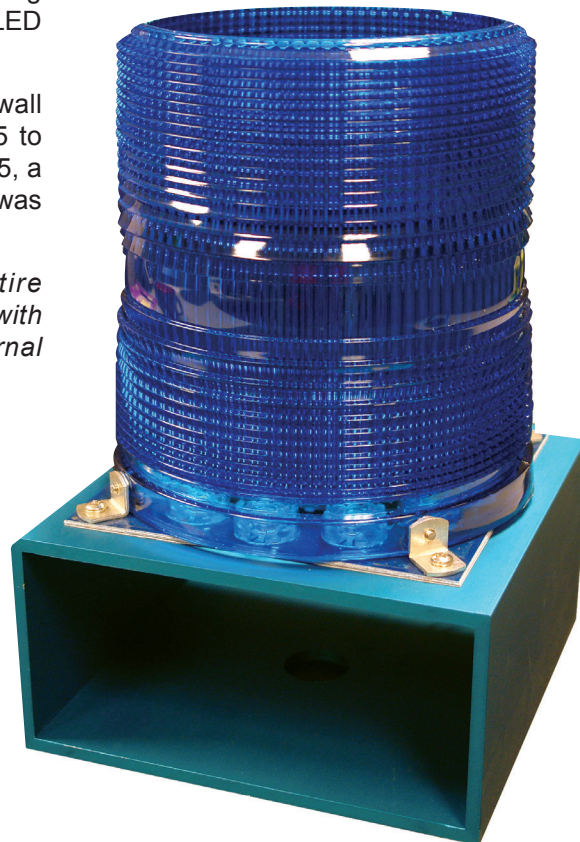
## 35 LED Retro Area Light Installation Instructions

### CB 1-s RETROFIT INSTALLATION

This manual provides instructions for upgrading existing Code Blue units to the new A-700 LED Low Voltage Area Light.

CB 1-s standing pedestal and CB 2-s wall mount units manufactured between 1995 to 2005 have plug-in power strips. After 2005, a terminal strip, along with a transformer, was used to power components.

**IMPORTANT:** *Read through the entire instruction packet to become familiar with the type of enclosures and their internal components.*





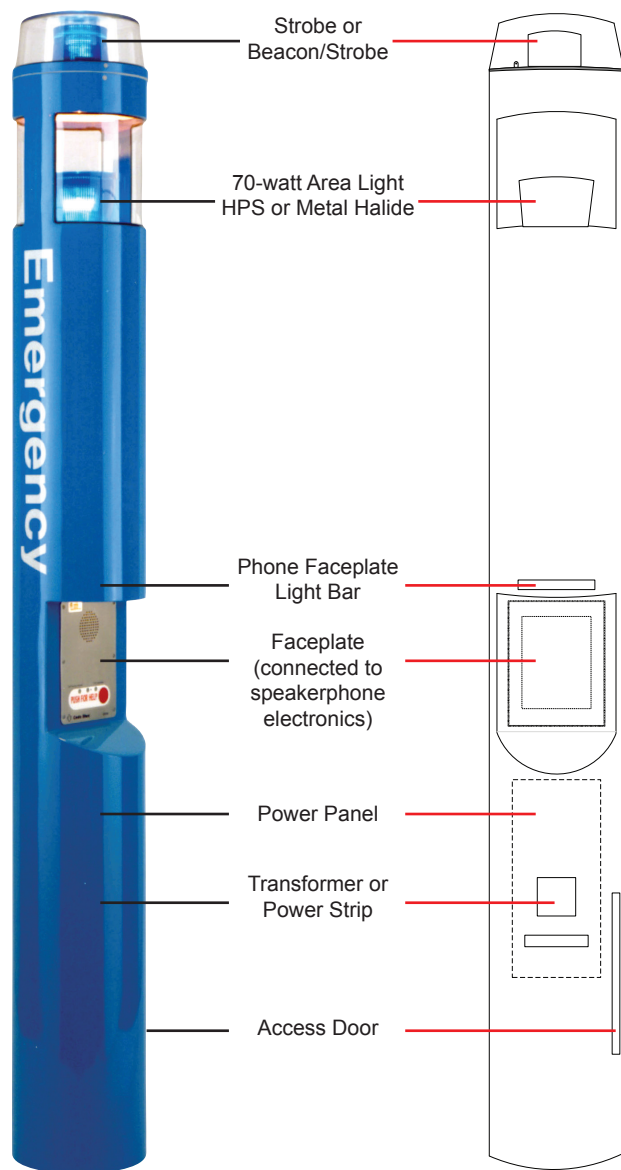
### CB 1-s COMPONENT NAMES & ENCLOSURE LOCATIONS

To assist with identifying the major electrical components of the CB 1-s free-standing pedestals, callouts are depicted in the photo and mirrored illustration below.

### REQUIRED TOOLS

- Zip ties (short & long assortment)
- Crimp on wire forks (18 gauge)
- Code Blue security bit & driver
- #2 Philips screwdriver
- 90° drill and drill bits
- Taps for #6 screws
- Digital volt meter
- Conduit punch
- Wire cutters
- 10-foot ladder
- Crimpers

Fig. 1





### CONVERTING 120 VOLT PLUG-IN STRIP TO A-700 LED

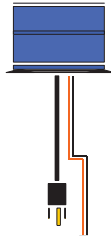
1. Remove the clear dome top lens
2. Remove strobe light Casting and set aside
3. Remove reflector plate
4. Reach down, alongside the area light and unplug the three prong plug
5. Uncouple and discard old area light

6. Set the new LED area light in the position and plug the transformer in (the transformer can be located in the LED area light channel or below on the power strip)
7. Set the new reflector plate in place
8. Replace the dome top and secure
9. Replace the dome top lens and secure
10. Test unit

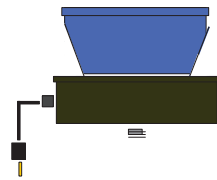
### PARTS LIST

- (1) A-700 LED Area Light
- (1) Red/Black Wire Harness
- (1) Plug-in Transformer

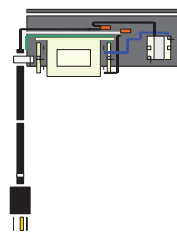
1. S-100 120V AC, obsolete



2. HPS Area Light, obsolete or Metal Halide 120V AC, obsolete



3. 7-watt Fluorescent Phone Faceplate Light, obsolete



4. 6 Plug-in Slot Power Strip, obsolete

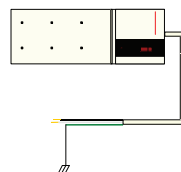


Fig. 2

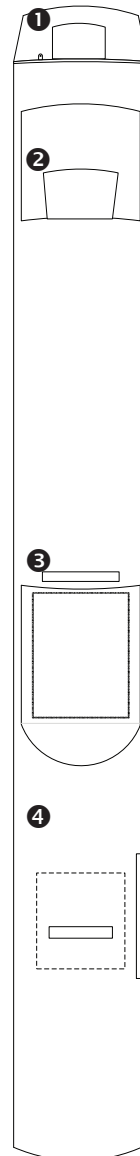
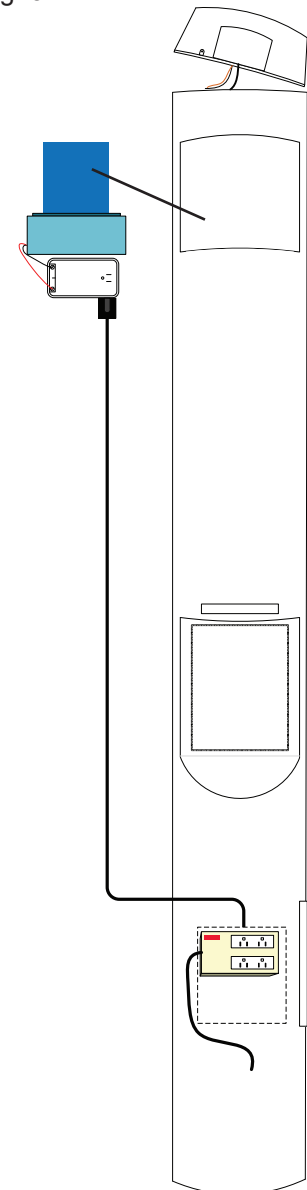


Fig. 3







### UPGRADING CURRENT AREA LIGHT TO A-700 LED

#### CALLOUTS

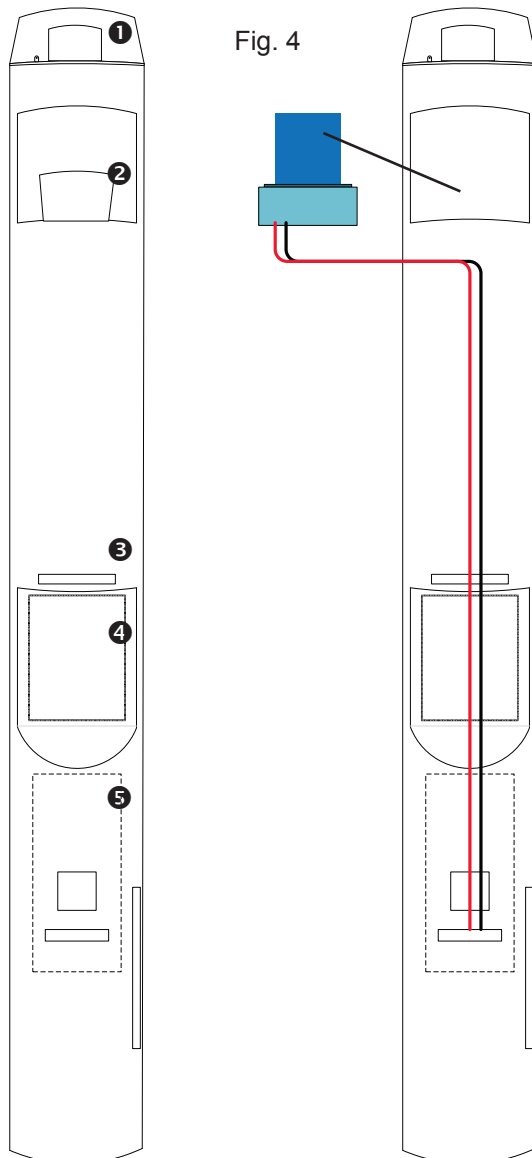
1. Low Voltage Strobe or LED Beacon/Strobe
2. HPS or Metal Halide fixture, 120V AC only
3. LED Faceplate Light
4. Faceplate/speakerphone electronics
5. Power Panel w/Terminal JBox Block & 120-24V Transformer
6. Phone Line Surge Suppressor w/Ground Wire for earth ground

#### PARTS LIST

- (1) A-700 LED Area Light
- (1) Red/Black Wire Harness

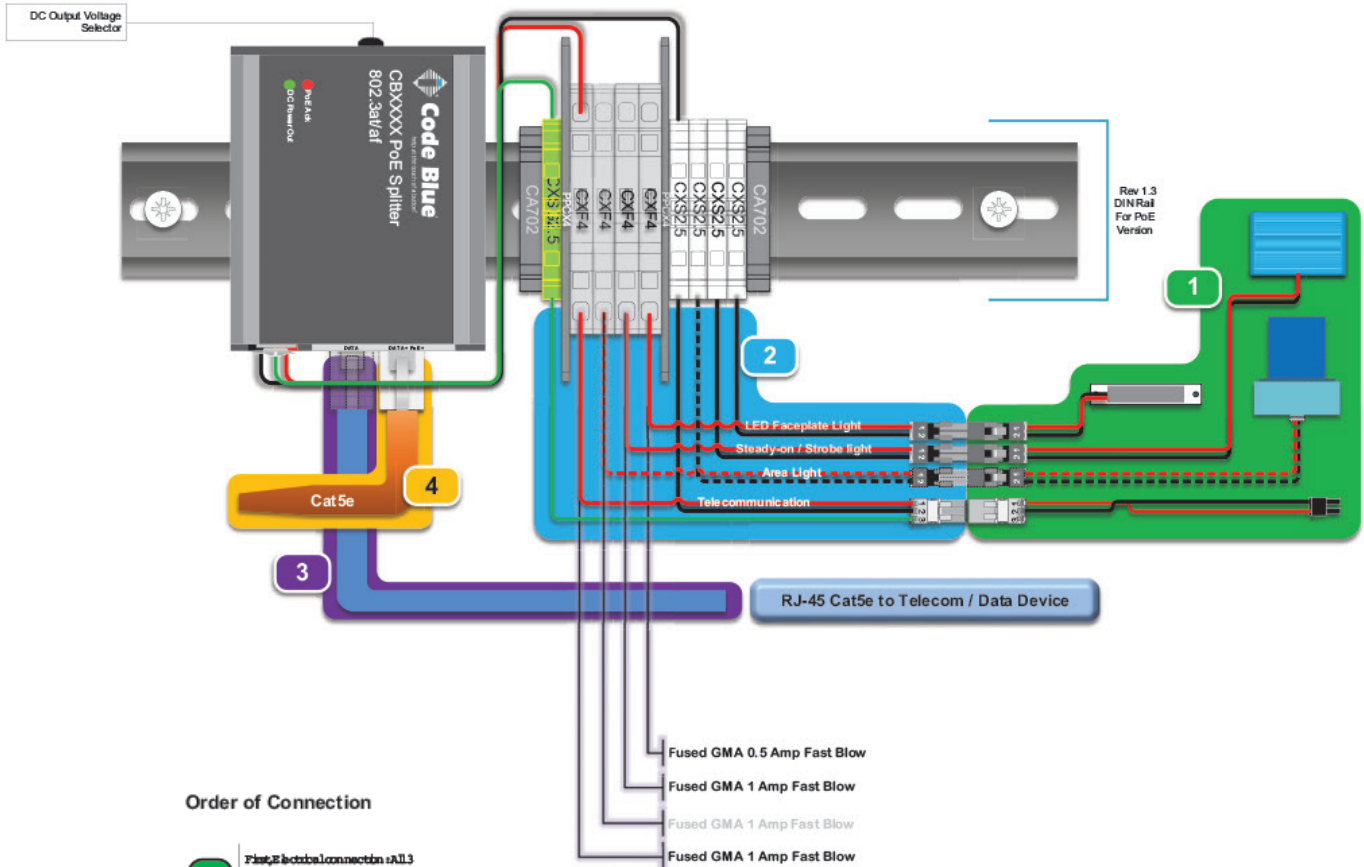
The following instructions pertain to modifying high voltage HPS/Metal Halide fixtures to A-700 LED low voltage area light

1. Disconnect power to the unit
2. Remove Dome Top Lens, then loosen the three thumb screws on the lower inside edge of the metal casting
3. Lift casting and unplug strobe light wiring
4. Secure wires, so they don't fall down inside the unit
5. Lift reflector plate from enclosure
6. Lift light fixture, locating the power cable and unplug; remove light out of the unit
7. Disconnect HPS/Metal Halide light power cable from the 120 volt side of the transformers
8. Grab the power cable at the top of the unit and cut the zip tie holding it to the cross member
9. Fully remove cable out of unit
10. Install the new LED area light with a plug-in wire harness
11. These wires will connect to the terminal strip as illustrated in the wiring diagram
12. Replace reflector plate and reconnect the strobe light
13. Line up the casting and tighten thumb screws
14. Replace clear lens and secure with button head screws removed earlier
14. **WIRING:** Follow the low voltage wiring diagram. The red wire goes on terminal #4 and black to terminal #7 as shown in Wire Diagram 3.
15. Reapply power and test





### 36 PoE Installation Instructions



#### Order of Connection

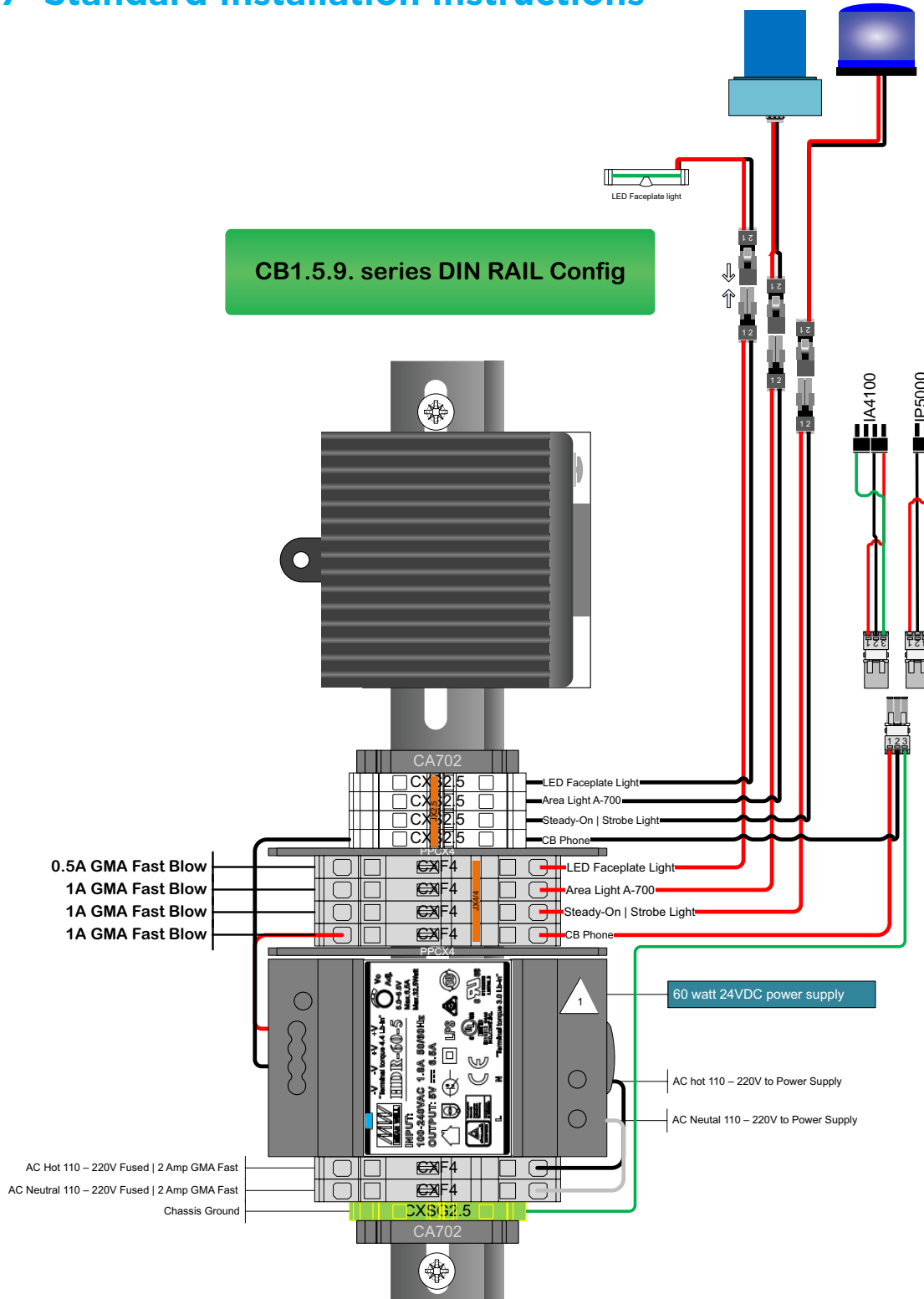
- 1** First Electrical Connection: All 3 Code Blue devices should be connected to the 2 & 3 Pole Spring Cage Plugs
- 2** Second 2 & 3 Pole Spring Cage and black pins are inserted in to the brass connectors. Next secure the wires in to these spring cage DIN Block and plug pins as seen in diagram
- 3** Third Step: Connect the DATA cable RJ-45 from the Splitter "DATA" to the IP Data WAN PoE port of the PD device
- 4** Fourth Step: Plug in the Ethernet PoE Cat5e Cable to Data+PoE Input jack on the Splitter. Upon PoE (per IEEE 802.3at protocol) Negotiation with the PoE switch power will be granted to the Splitter, and the individual plug with the device attached will turn on.

----- Dotted -- Found in Specific Configuration -----

**Grounding:**  
Should a ground be needed, there's a ground screw on the enclosure with grounding logo next to it. When the splitter is mounted to the mounting bracket the bracket becomes the ground to the chassis of the enclosure, however local codes may require a ground wire be attached to the screw in order to comply.



### 37 Standard Installation Instructions





## 38 Blank Ring Installation Instructions

Code Blue has blank Mounting Rings available as optional features for its 1 Series Pedestal Help Points® (CB 1-w not included). Designed in three varieties, these rings allow a customer to internally and externally mount third party communication and security equipment to their unit to enhance connectivity and functionality.

### INSTALLATION:

All Rings: CB 1-e and CB 1-s (including Public Address and AED Housing Options)

### TOOLS REQUIRED:

- Allen wrenches
- Security bit
- Ladder (if retrofitting)
- Mounting Ring with screws

### INSTRUCTIONS:

- If applicable, remove dome top assembly using security bit prior to installation. New style dome top assembly (part #40259) is required to access installation screws on Mounting Ring. Locate and install the three ½ x 1-inch hex Allen screws from the inside of the Mounting Ring using the Allen wrench. Be sure the Allen screws do not extend beyond the outside of the ring.
- Install the mounting ring on top of the unit. Rotate to desired position.
  - o **NOTE:** If retrofitting existing unit with three countersunk holes near the top of the unit, the Mounting Ring may be rotated to align the clearance holes with holes in the unit. The three countersunk screws and nuts provided may be used to cover these holes. The three Allen screws **MUST** be used to secure the mounting ring to the unit.
  - o **NOTE:** If installed on a unit with an Overhead Camera Mount, the Mounting Ring should be mounted on top of the Overhead Camera Mount ring.
- Verify Mounting Ring is evenly positioned to ensure gasket seal is seated appropriately 360 degrees.
- Apply downward pressure while simultaneously tightening the three ½-inch set screws until Mounting Ring is snug against the inside of the unit.
- Install Beacon/Strobe Dome Top Assembly.

### POWER:

- The 1 Series power configuration is only intended to support the electronics Code Blue installs as standard equipment.

**\*IF A CUSTOMER INSTALLS THEIR OWN POWER SOURCE, IT WILL VOID THE ENCLOSURE'S UL LISTING.**

**Please contact Customer Service with any questions or concerns.**

**Email:** [customerservice@codeblue.com](mailto:customerservice@codeblue.com)

**Phone:** 616-392-8396, Opt. 2



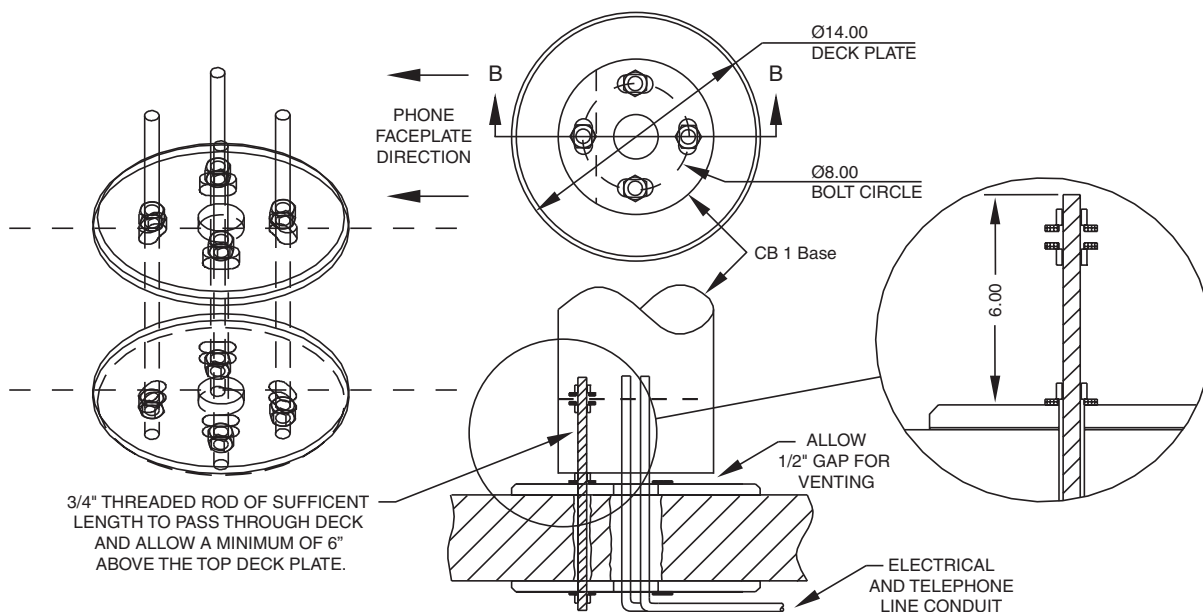
### 39 CB 1 Series Deck Mount Installation Instructions

#### 1.0 DECK MOUNT FOUNDATION

- 1.1 Drill Deck Holes – Drill four holes through the deck or floor for the four 3/4” threaded rods. The holes should be aligned, using the template provided in such a way that the phone faceplate on the unit will face in the desired direction (see figure below).
- 1.2 Drill a fifth hole in the center to accommodate the conduit.
- 1.3 Position Upper Deck Plate – Position the first plate working from above the deck.
  - 1.3.1 Thread a nut and washer on the end of each rod so that approximately six inches extends beyond the base of the washer.
  - 1.3.2 Insert each rod through the top side of the plate, plate gasket, and down through the four holes in the deck.
- NOTE:** *The top of the plate is the side with the tapered edge.*
- 1.4 Position Lower Deck Plate – Position the second plate working from below the deck. Have another worker hold the upper plate and rods in place from above the deck.
  - 1.4.1 Place the second plate gasket and then the second plate over the threaded rods.
  - 1.4.2 Secure the second plate with nuts and washers provided. If required, readjust the nuts so that six inches of the rods are above the top of the upper plate (see figure below).
- 1.5 Secure Lower Nuts – To prevent tampering, it is advisable to tack weld the lower nuts to the threaded rod.

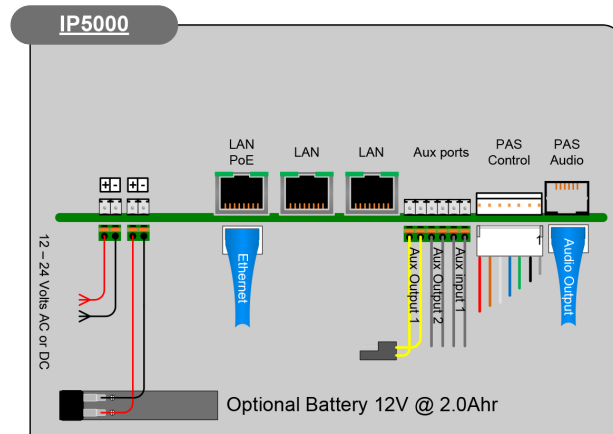
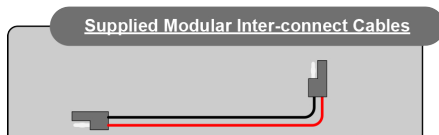
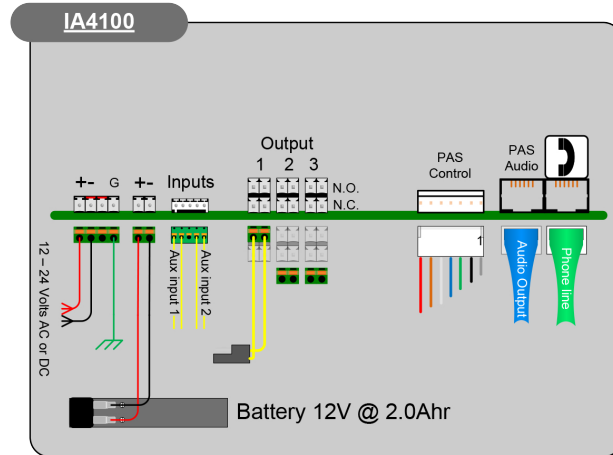
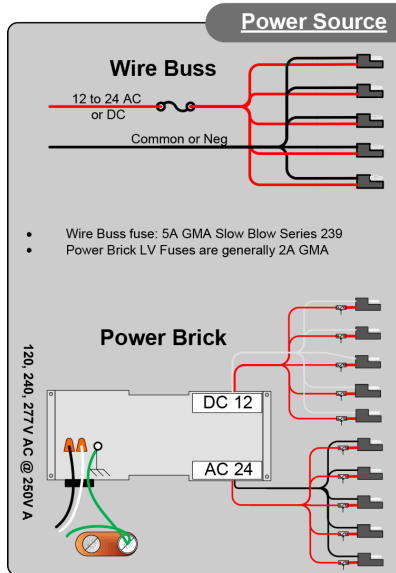
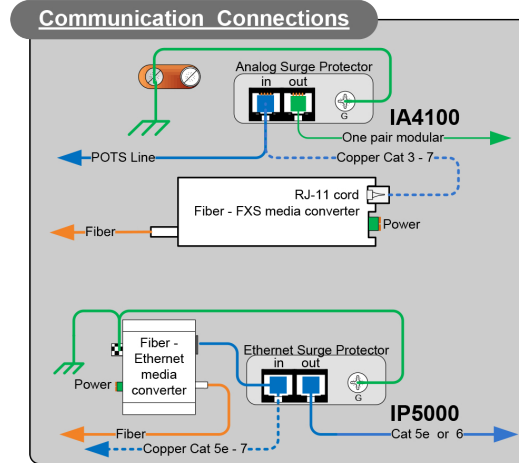
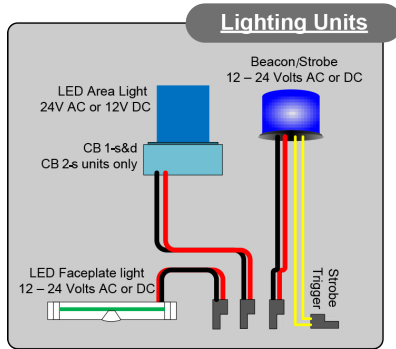
#### 2.0 WIRING

- 2.1 Pull power and phone line through conduits – A minimum of two feet of wire must be available from the conduit for electrical and communications wiring.
- 2.2 Conduit – Electrical and telephone line conduit is run through the deck and the center openings (two-inch diameter) of the upper and lower deck plates. A minimum of four inches and a maximum of six inches of conduit above the upper plate is required.





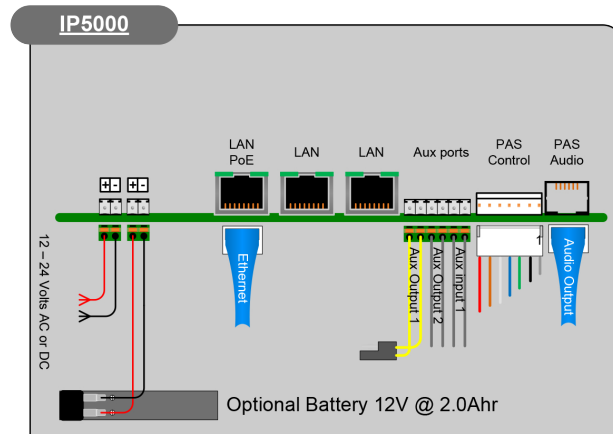
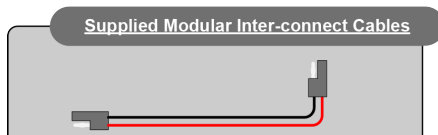
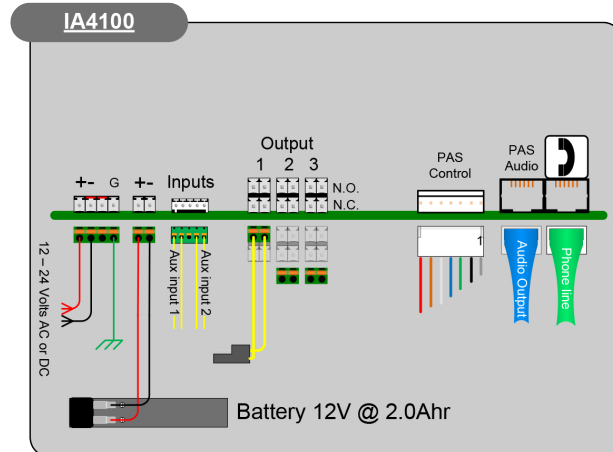
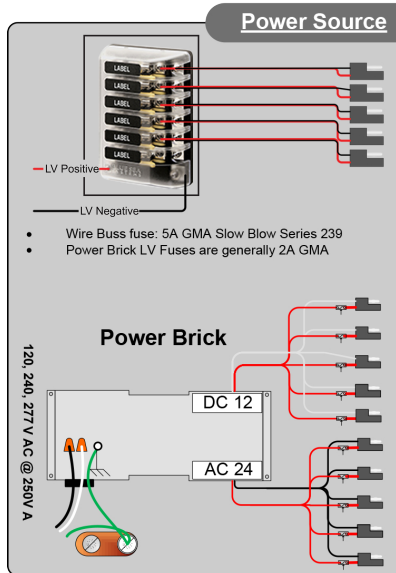
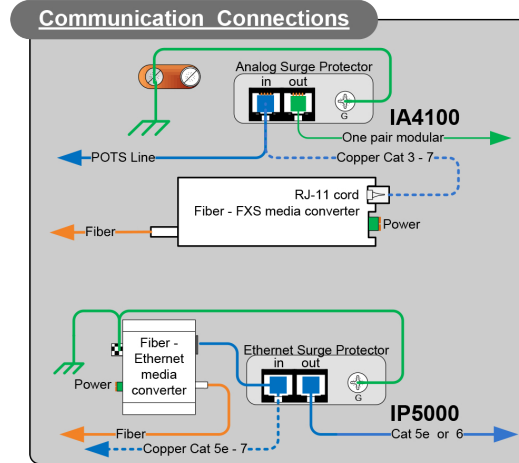
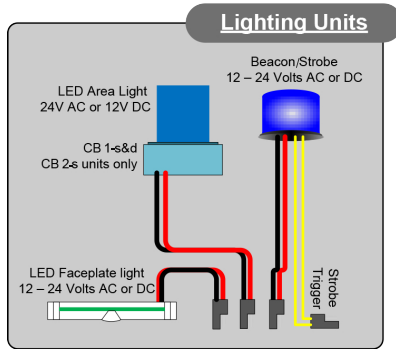
### 40 CB 1-e and CB 1-s 24V or 120V Multi-Tap Power Brick Wiring (prior to 2015)



Product wiring diagram shown reasonably represents current offering and is intended to assist in component identification and service. Earlier product production may have different components and wiring connections. Reference the model and serial number from the unit ID tag and contact manufacturer to confirm replacement part version and availability.



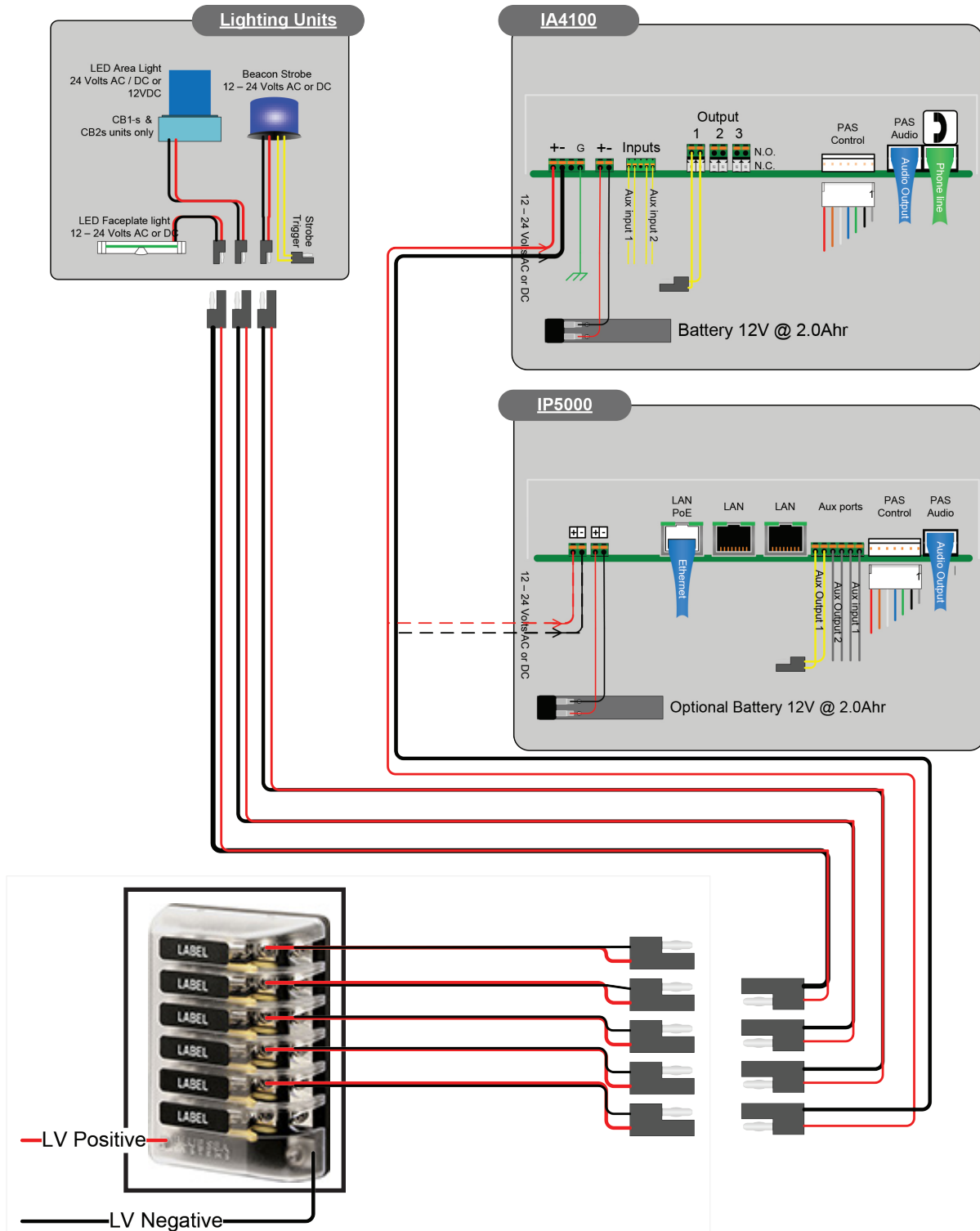
### 41 CB 1-e and CB 1-s 24V or 120V Multi-Tap Power Brick Wiring



Product wiring diagram shown reasonably represents current offering and is intended to assist in component identification and service. Earlier product production may have different components and wiring connections. Reference the model and serial number from the unit ID tag and contact manufacturer to confirm replacement part version and availability.



### 42 CB 1-e 24V Standard Wiring (after 2015) (with Fuse Block)

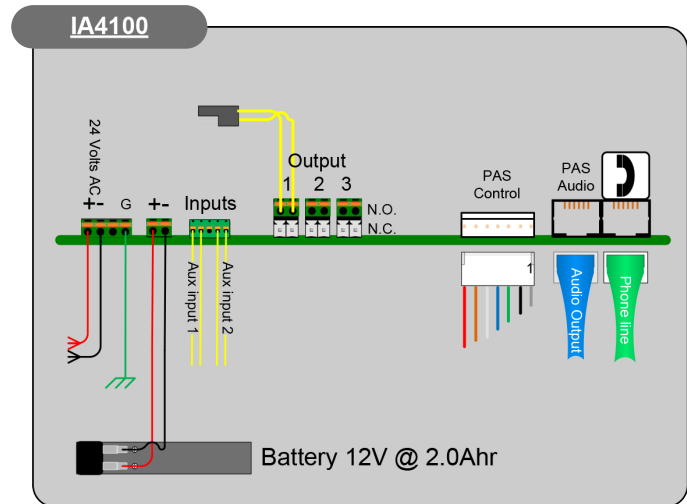
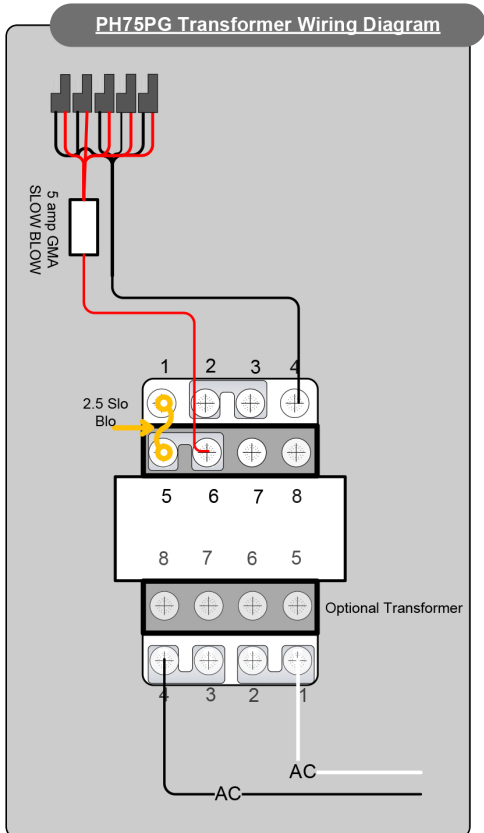
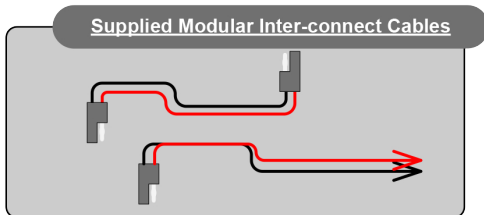
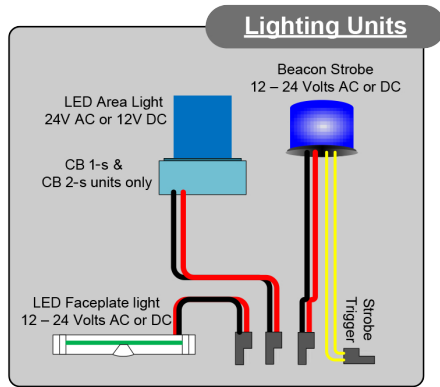


Product wiring diagram shown reasonably represents current offering and is intended to assist in component identification and service. Earlier product production may have different components and wiring connections. Reference the model and serial number from the unit ID tag and contact manufacturer to confirm replacement part version and availability.





### 43 CB 1-e and CB 1-s 120V Standard Wiring (prior to 03/2013) (with Hammond Transformer)



#### Optional Transformer Wiring

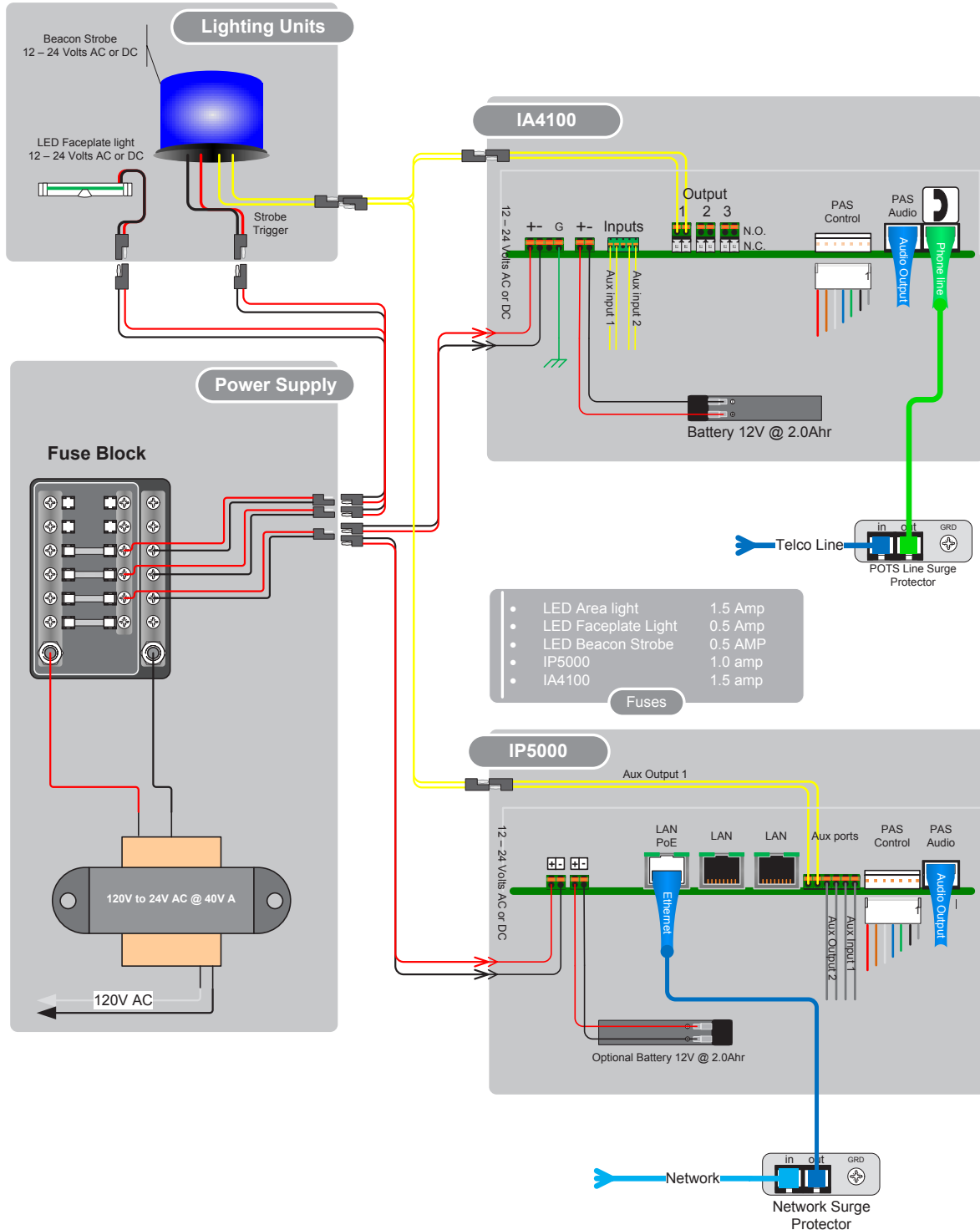
LV side of the transformer connects to the Code Blue harness.

HV side of the transformer is for supply side High Incoming Voltage

Product wiring diagram shown reasonably represents current offering and is intended to assist in component identification and service. Earlier product production may have different components and wiring connections. Reference the model and serial number from the unit ID tag and contact manufacturer to confirm replacement part version and availability.



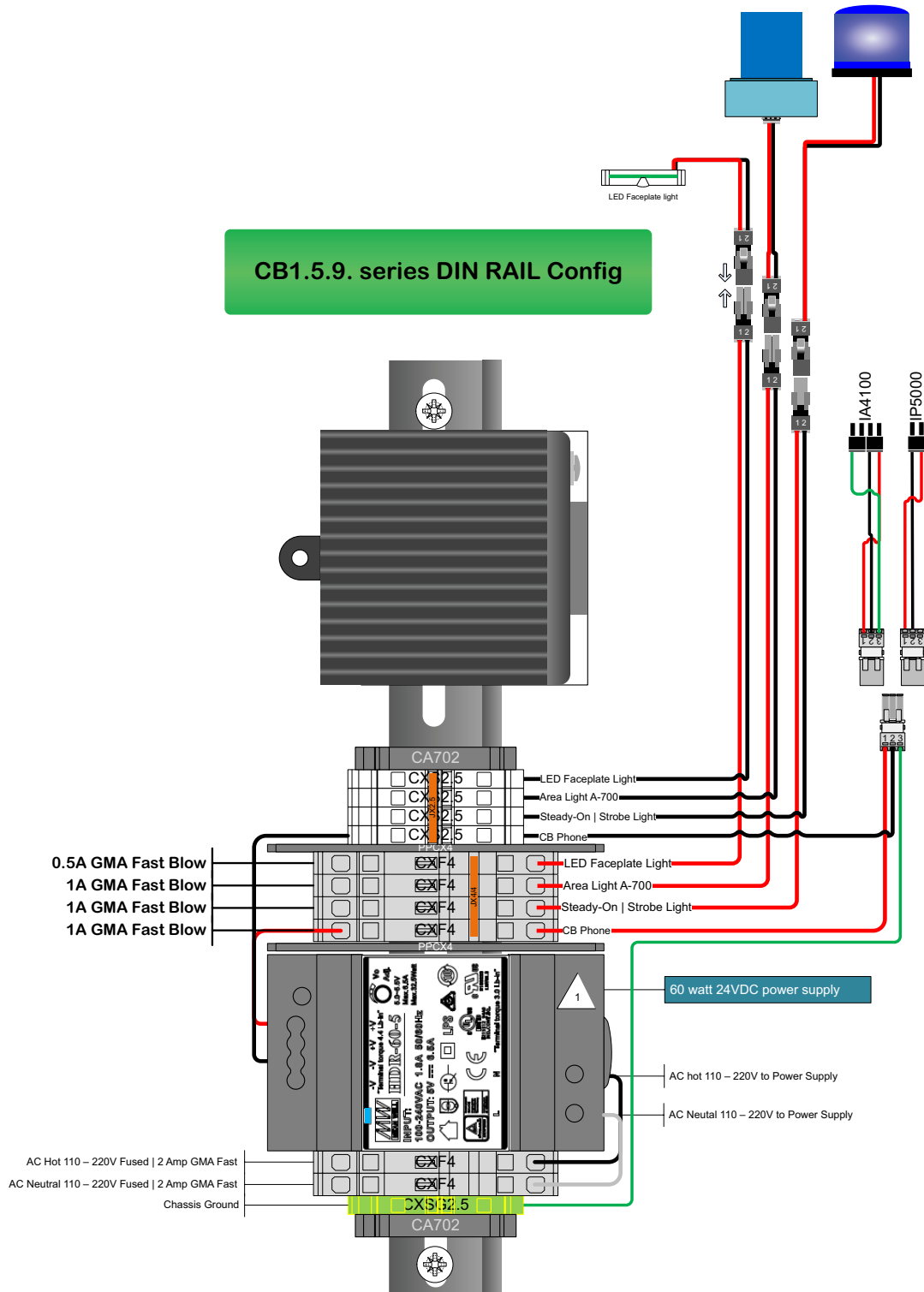
### 44 CB 1-e 120V Standard Wiring (after 2015) (with Triad Transformer)



Product wiring diagram shown reasonably represents current offering and is intended to assist in component identification and service. Earlier product production may have different components and wiring connections. Reference the model and serial number from the unit ID tag and contact manufacturer to confirm replacement part version and availability.



### 45 CB 1 Series DIN Rail NightCharge® Wiring

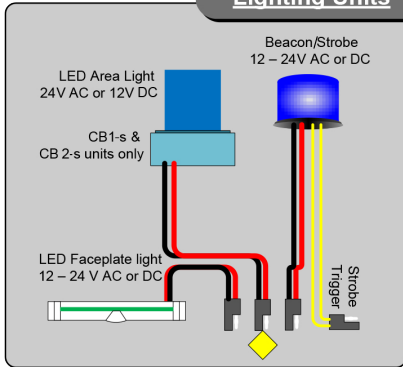


Product wiring diagram shown reasonably represents current offering and is intended to assist in component identification and service. Earlier product production may have different components and wiring connections. Reference the model and serial number from the unit ID tag and contact manufacturer to confirm replacement part version and availability.

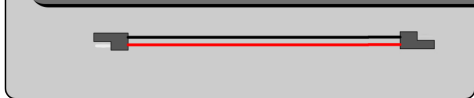


### 46 CB 1 Series Standard NightCharge® Wiring

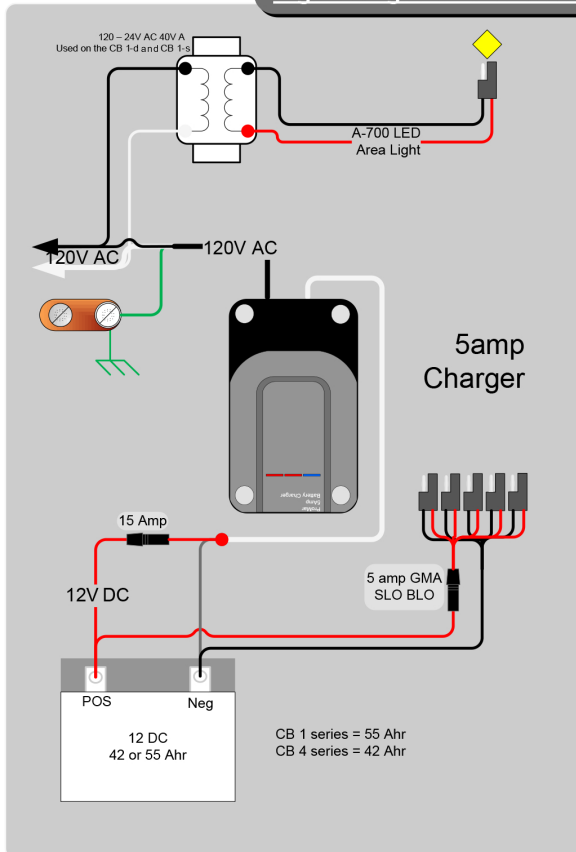
#### Lighting Units



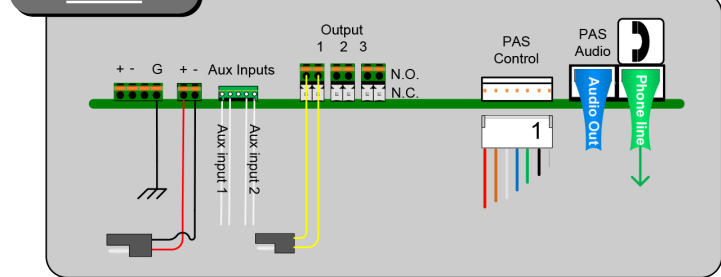
#### Supplied Modular Inter-Connects Cables



#### NightCharge Power Source

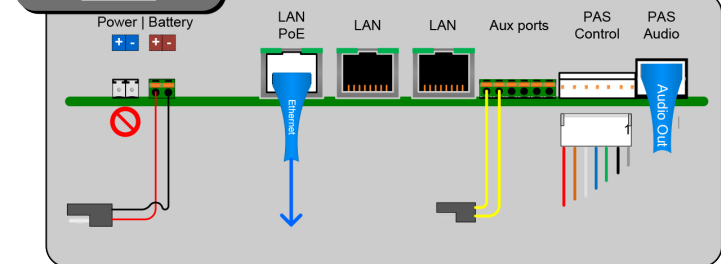


#### IA4100

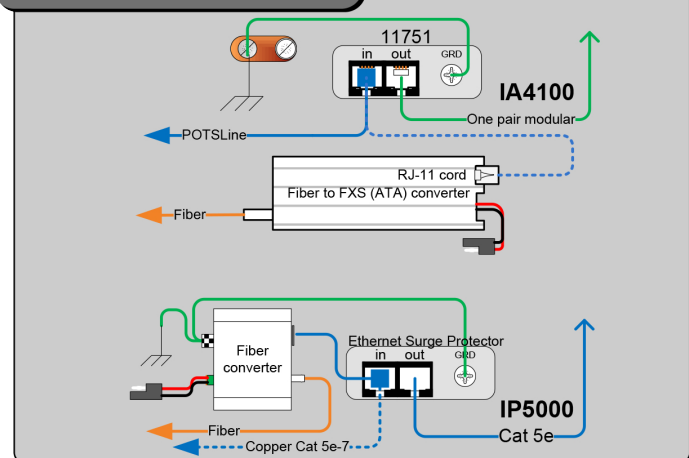


Yellow Diamond Key indicates  
24V AC Area Light Power  
Connection

#### IP5000



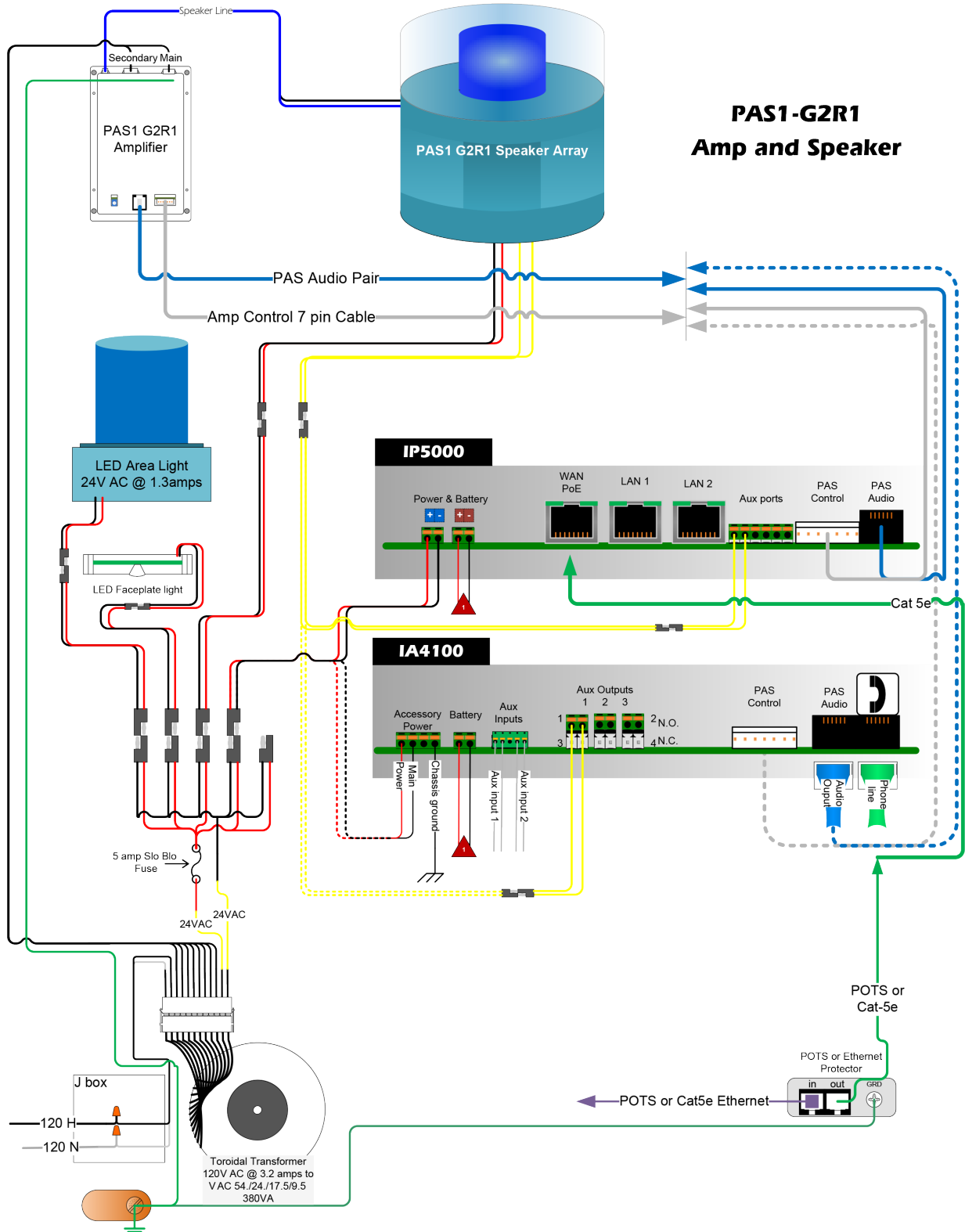
#### COMM CONNECTIONS

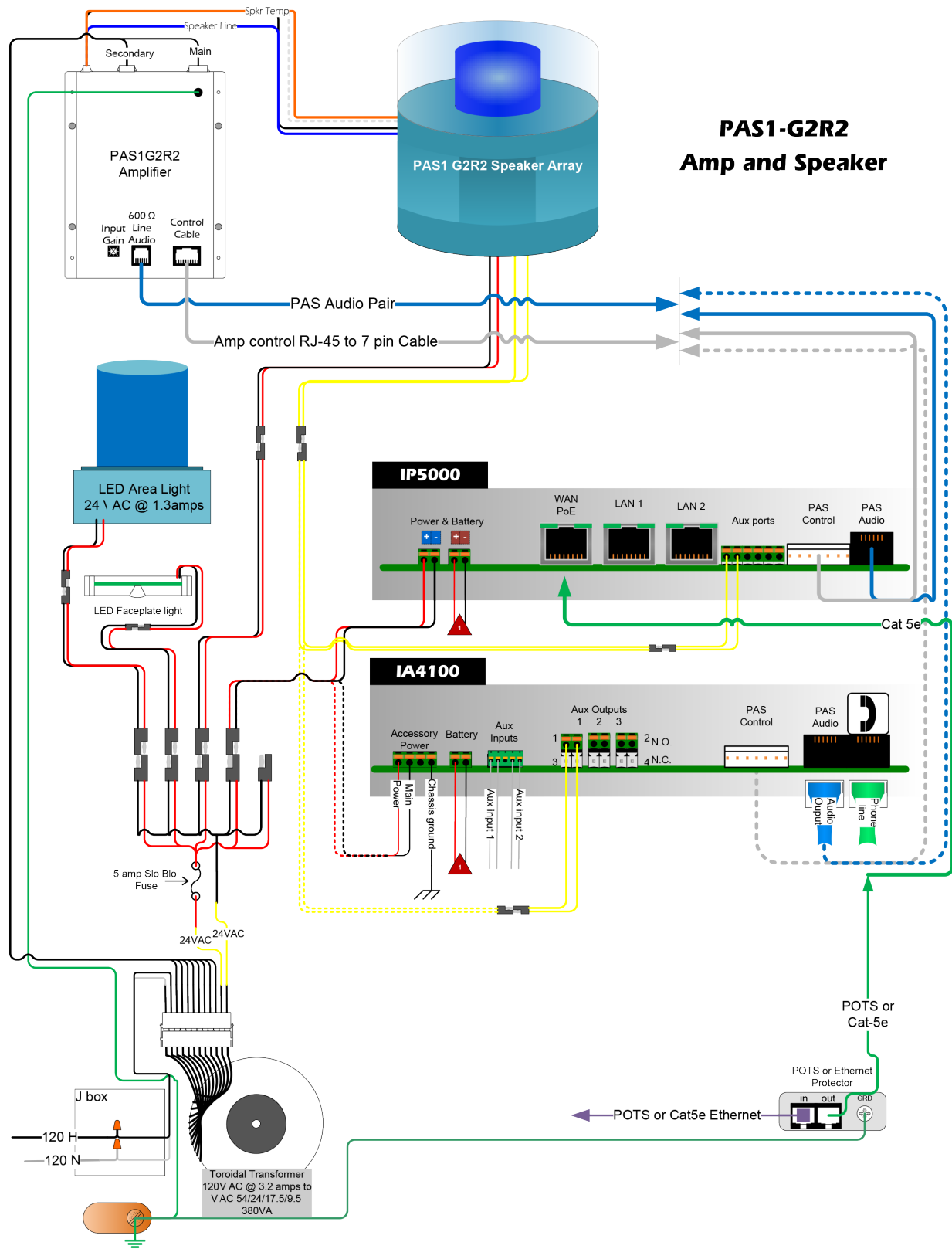


Product wiring diagram shown reasonably represents current offering and is intended to assist in component identification and service. Earlier product production may have different components and wiring connections. Reference the model and serial number from the unit ID tag and contact manufacturer to confirm replacement part version and availability.



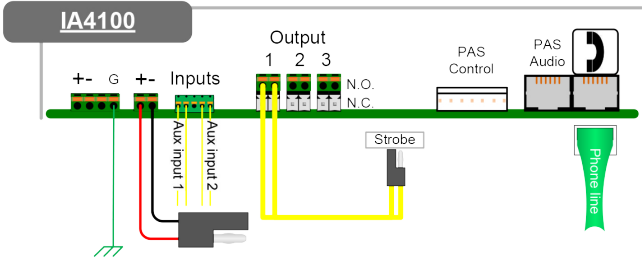
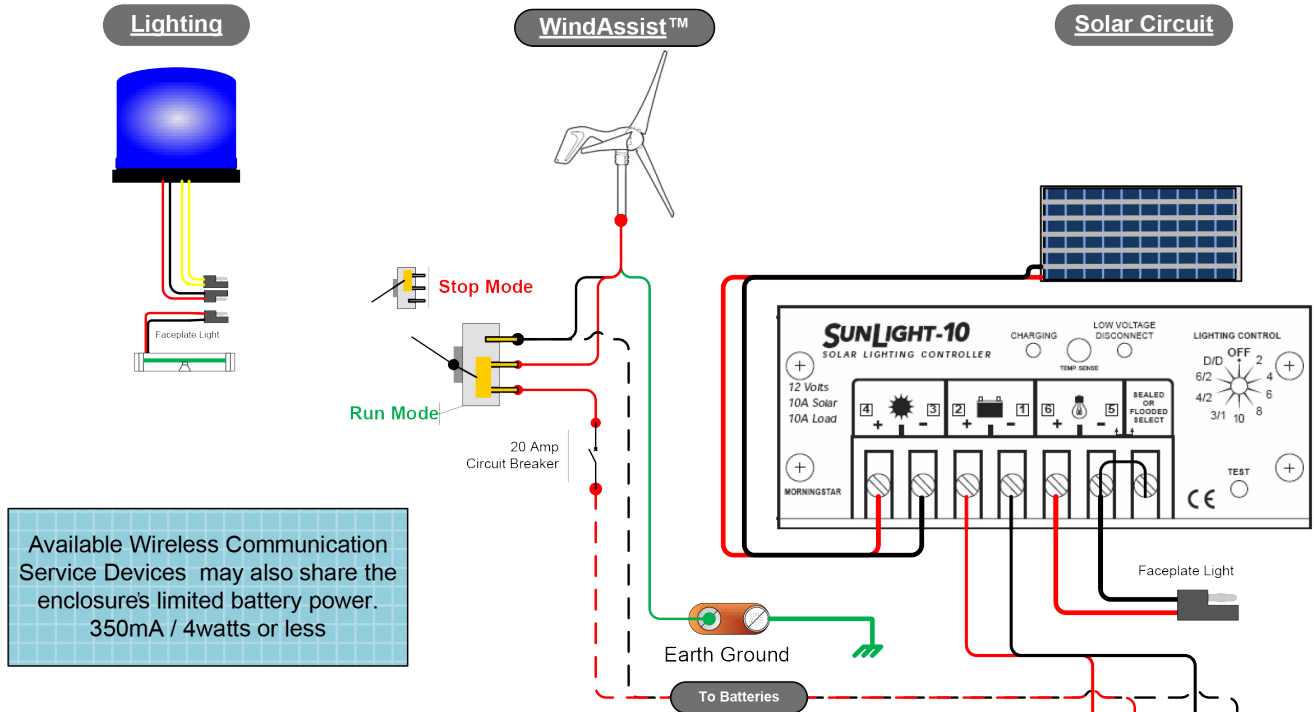
### 47 CB 1 Series with Public Address Wiring



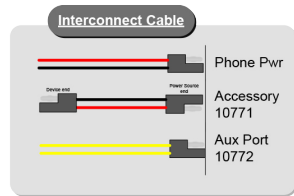
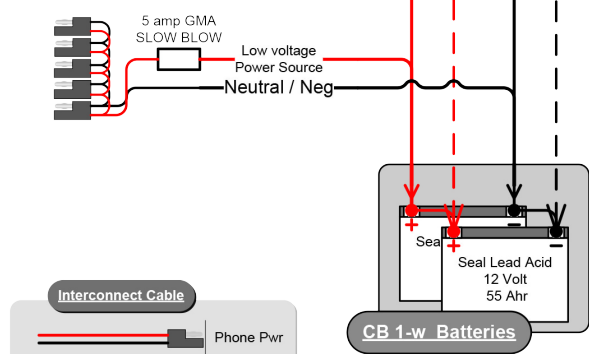
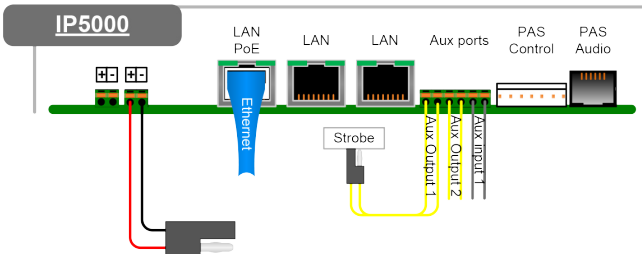




### 48 CB 1-w Standard Wiring



When using solar power, the speakerphones' main connection to power will not be used! Instead, use the phone's batteryport as main power. This single source of power allows the IA4100 & IP5000 to monitor the Solar/NightCharge® Batteries. Should the batteries drop below 11.1 volts, the phone will place a call, only if the "Low Battery Report" feature has been programmed to do so.

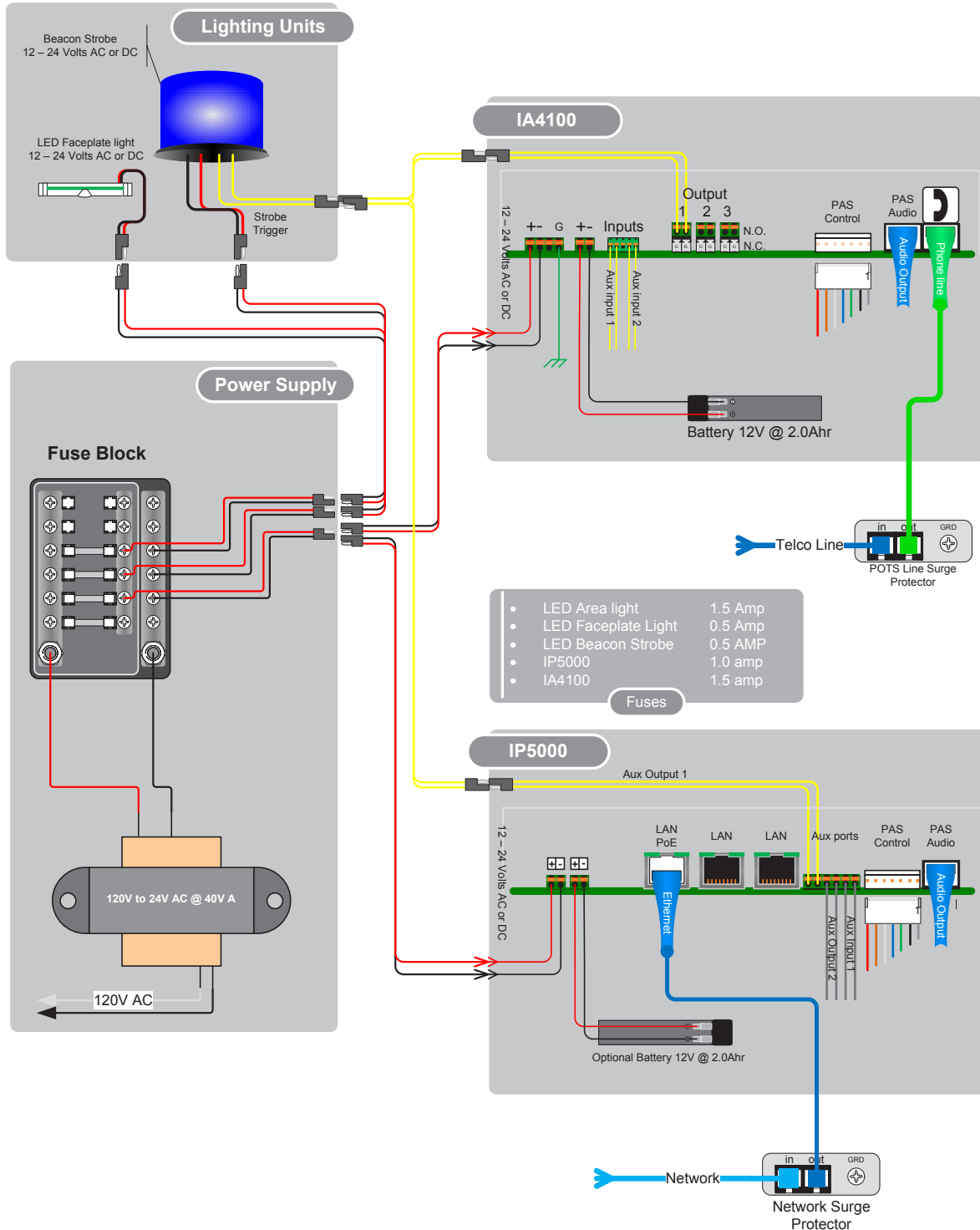


Note: Use the supplied modular Inter-connects harness to link the enclosure various powered devices

Product wiring diagram shown reasonably represents current offering and is intended to assist in component identification and service. Earlier product production may have different components and wiring connections. Reference the model and serial number from the unit ID tag and contact manufacturer to confirm replacement part version and availability.



### 49 CB 1-e 120V Standard Wiring (after 2015) (with Triad Transformer)

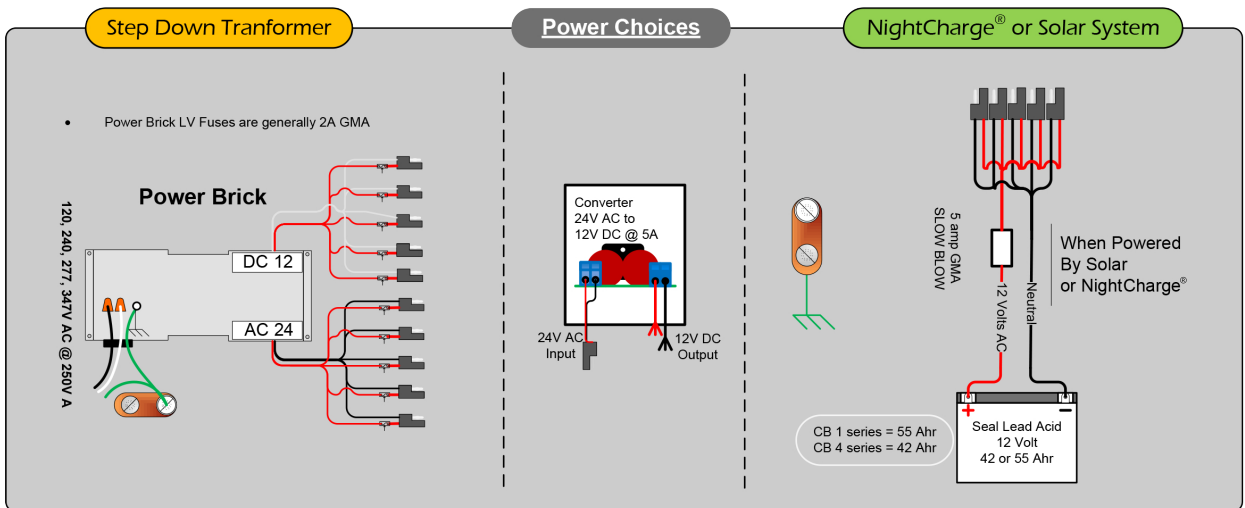
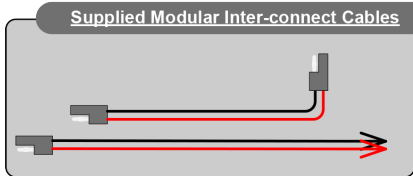
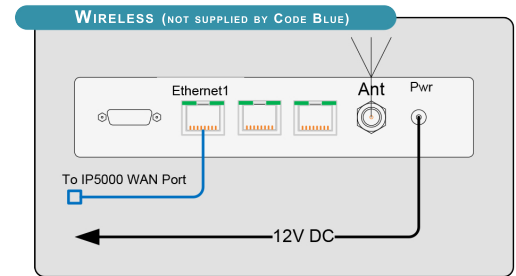
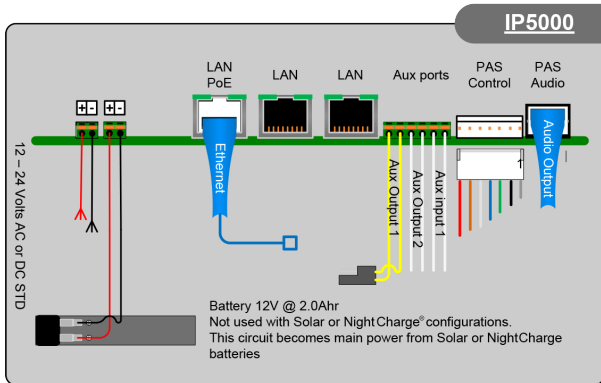
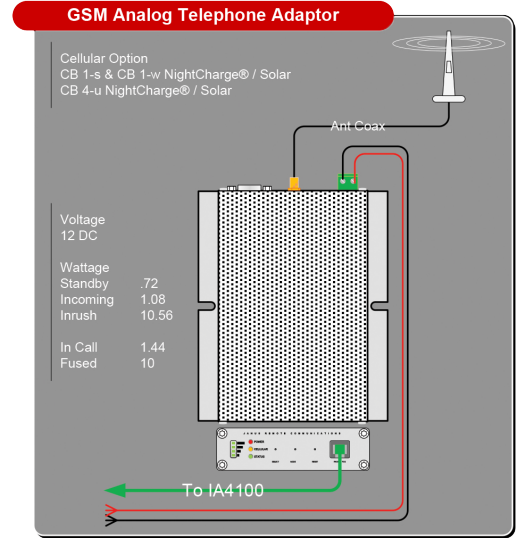
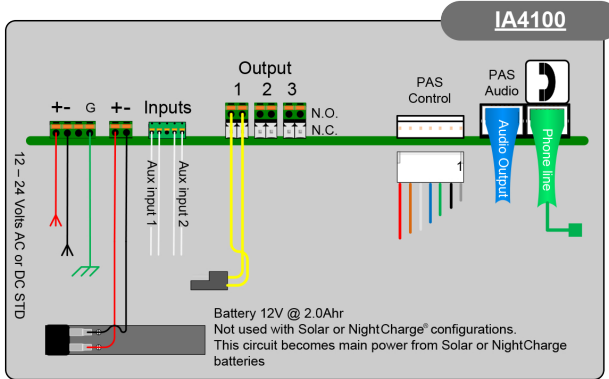


Product wiring diagram shown reasonably represents current offering and is intended to assist in component identification and service. Earlier product production may have different components and wiring connections. Reference the model and serial number from the unit ID tag and contact manufacturer to confirm replacement part version and availability.





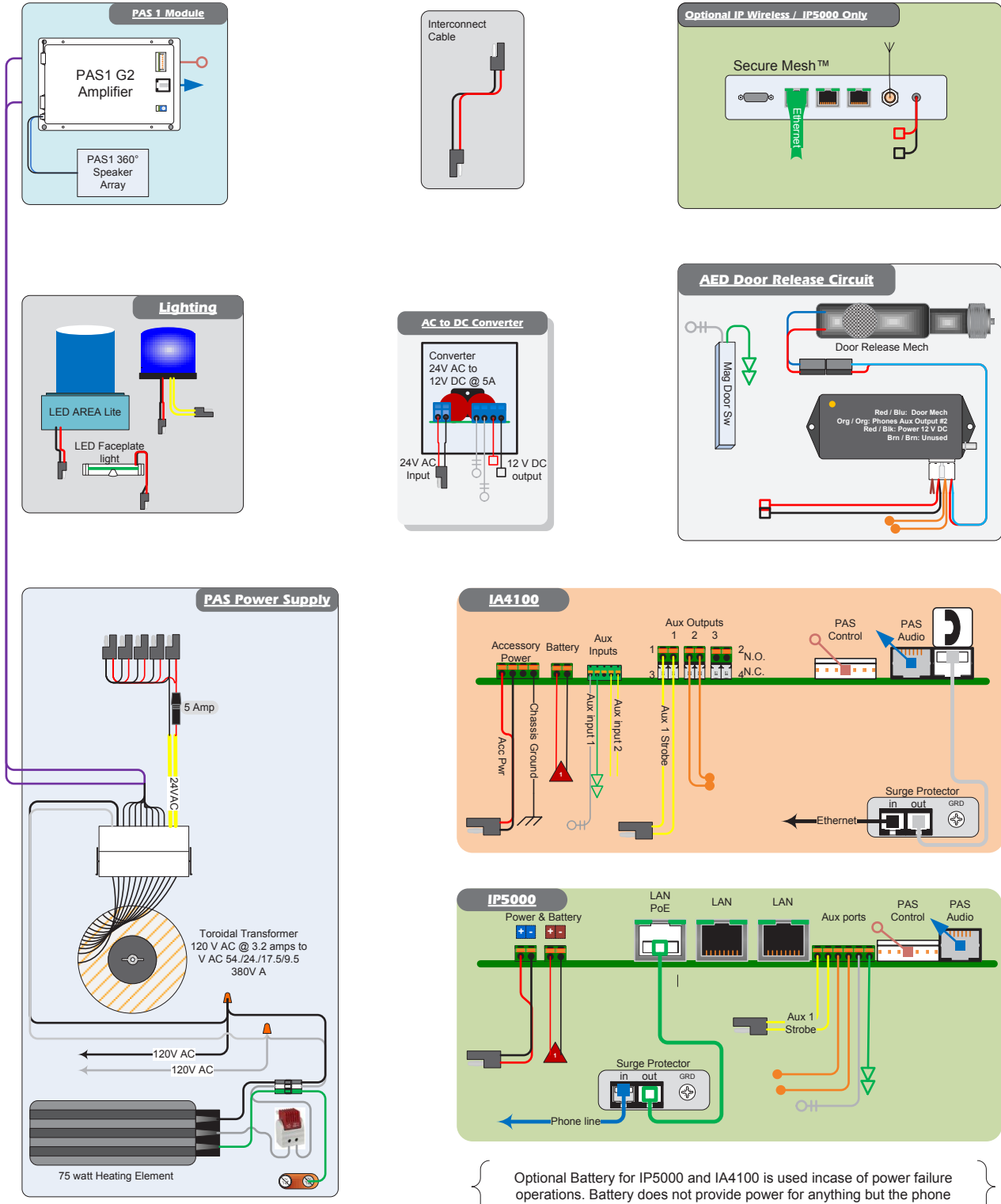
### 50 GSM Wireless Wiring Diagram



Product wiring diagram shown reasonably represents current offering and is intended to assist in component identification and service. Earlier product production may have different components and wiring connections. Reference the model and serial number from the unit ID tag and contact manufacturer to confirm replacement part version and availability.



### 51 CB 1-s with AED, Public Address and IP Wireless

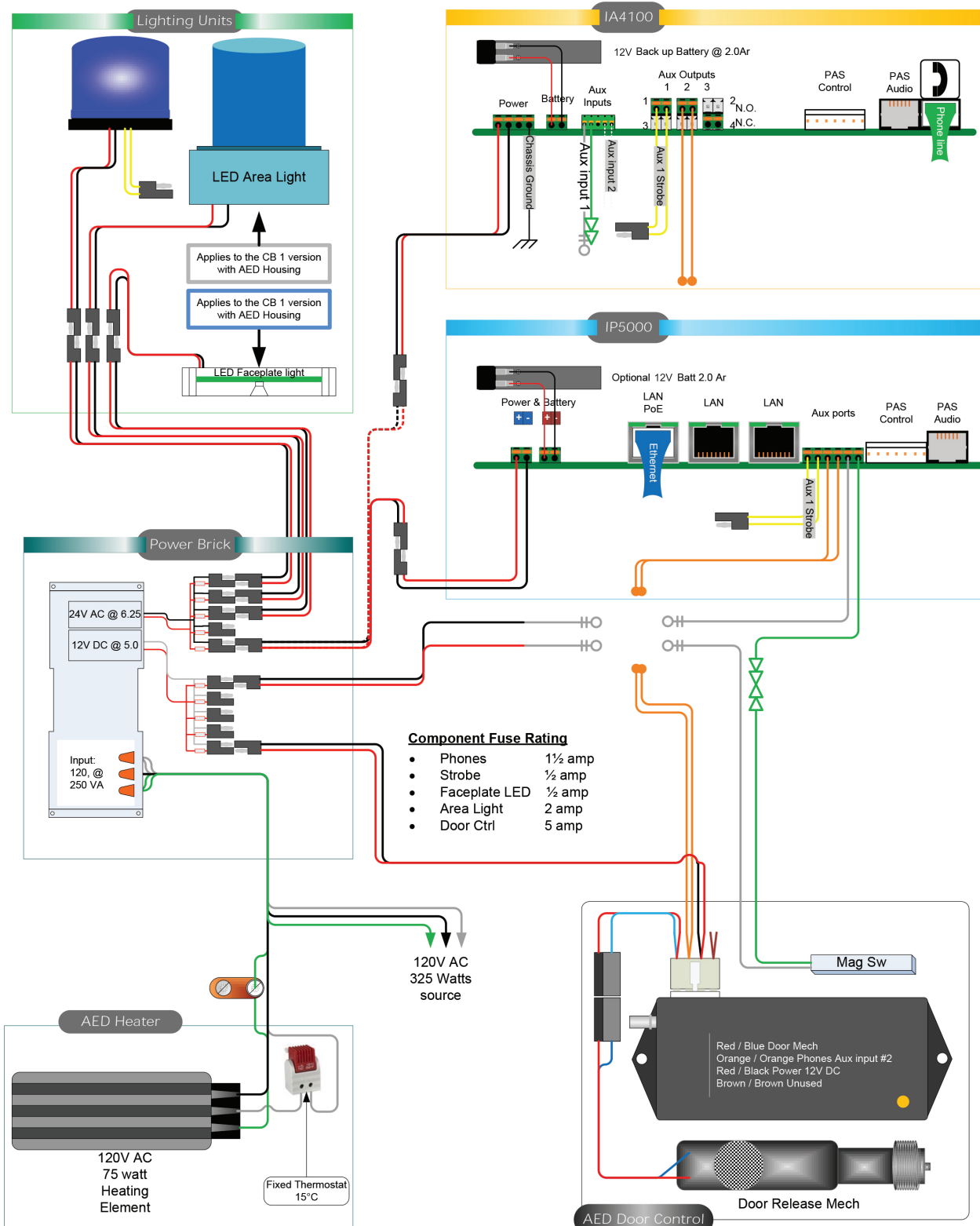


{ Optional Battery for IP5000 and IA4100 is used in case of power failure operations. Battery does not provide power for anything but the phone }

Product wiring diagram shown reasonably represents current offering and is intended to assist in component identification and service. Earlier product production may have different components and wiring connections. Reference the model and serial number from the unit ID tag and contact manufacturer to confirm replacement part version and availability.



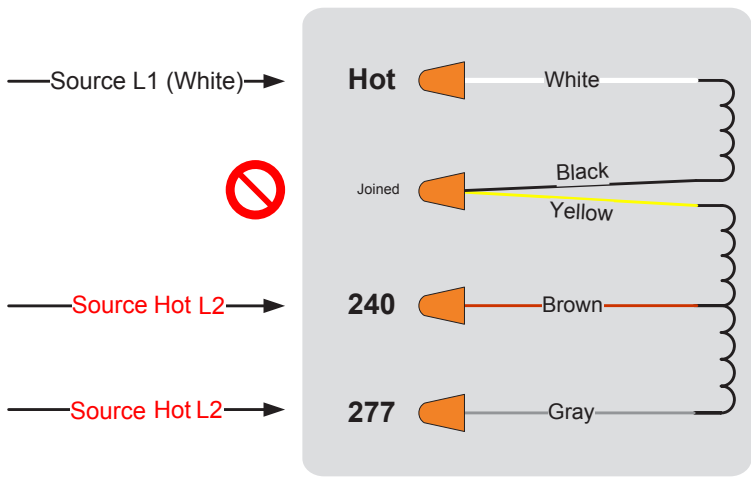
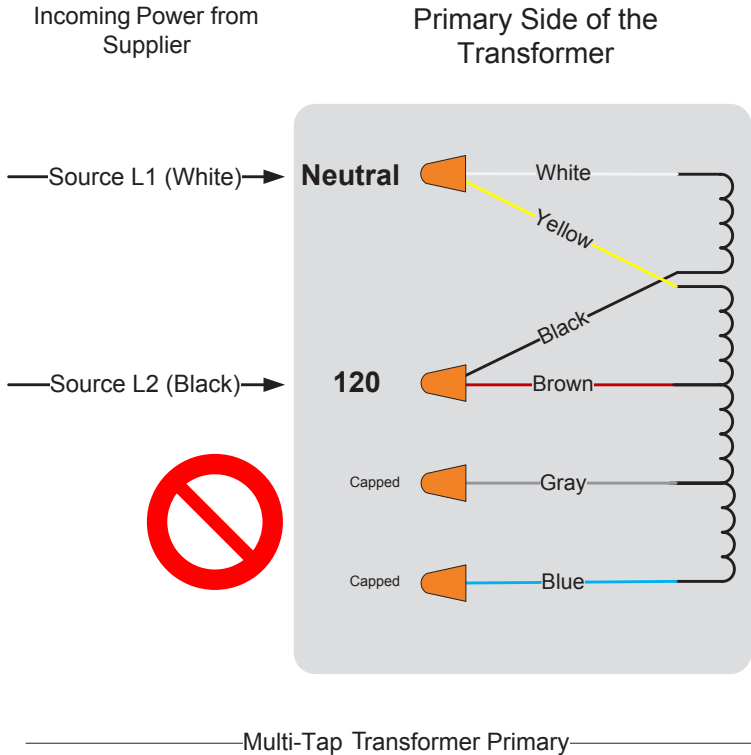
### 52 CB 1-s with AED Wiring



Product wiring diagram shown reasonably represents current offering and is intended to assist in component identification and service. Earlier product production may have different components and wiring connections. Reference the model and serial number from the unit ID tag and contact the manufacturer to confirm replacement part version and availability. The information contained herein is subject to change without notice.



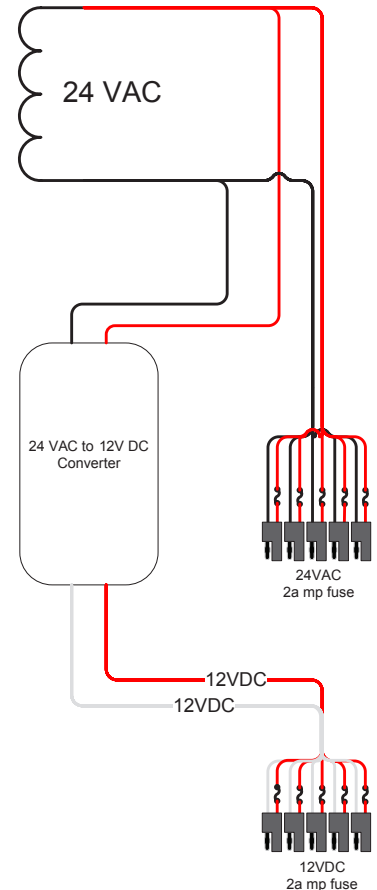
### 53 Multi-Tap Transformer Wiring



**Only connect one HOT wire to the voltage point matching your source voltage.**

Secondary Side of the Transformer

Primary Volt Amps 250  
Secondary Volt Amps 160  
ETL - UL \_\_\_\_\_



Low Voltage Outputs  
5 AmpsA C  
5 AmpsD C



### 54 Maintenance Schedule

#### LEGEND

**G** Guard tasks

**T** Technician tasks

#### DAILY OR WEEKLY

- G** Perform functional communications check  
**Action: Press red button**
  - Strobe activates
  - Red LED “Call Placed” light turns on
  - Message plays
  - Call connects, green LED “Call Received” light turns on
  - Confirm conversation clarity with dispatch

#### MONTHLY OR QUARTERLY

- G** Visually check lighting functions:
  - Faceplate light
  - Beacon
  - Strobe
- G** Visually inspect unit for damage to:
  - Faceplate
  - Piezo button
  - Microphone (*pest infestation, damage or obstructions*)
  - Speaker (*pest infestation, damage or obstructions*)
- T** Check batteries
  - Functioning with full charge
  - Recharging fully, including NightCharge®/Solar units (*NOTE: recommend mid- to late afternoon inspection*)

#### BIANNUALLY

- T** Remove access door and faceplate assembly to inspect the following:
  - Ensure all electrical connections are secure
  - Check all phone connections for corrosion (*If corroded, clean and coat with dielectric gel or replace*)
  - Ensure all battery connections are tight and clean
  - Verify no stains exist around gasket areas (*Stains indicate leaking and gasket should be replaced*)
  - Verify moisture weep hole on cabinet bottom is open and unobstructed
  - Verify bottom of bollards are at least 1/2 inch above footing and free of obstructions (*Only applies to CB 1, CB 5 and CB 9 units*)
- G** Apply automotive paint sealant to unit exterior for protecting finish against environmental pollutants (*Suggested products include Black Magic Wet Shine Liquid Wax, Nu Finish NFP-80, and 5 Star Shine*)
- G** Clean and coat exterior stainless steel cabinets with cleaner/polish (*Suggested products include Chase Products' Champion Sprayon Stainless Steel Cleaner to help protect finish against environmental pollutants*)
- T** Visually confirm line-of-sight is still clear to base station (*i.e., confirm that new tree growth, new building construction or other obstructions are not blocking view of base station*)

#### ANNUALLY

- T** Replace batteries used with NightCharge®, cellular or RF systems (*Replace with batteries recommended by the communication manufacturer to ensure optimal performance*)



### UNIT SURFACE MAINTENANCE

The painted and stainless steel Code Blue models require periodic care to sustain their aesthetic appearance. Units located outdoors are vulnerable to harsh environmental conditions, including UV rays, acid rain, diesel fumes and airborne iron particles (i.e., dust) which over time may cause unit discoloring. To prevent pollutants developing harmful chemical reactions on Code Blue units, an appropriate surface maintenance schedule should be adhered to. The Surface Care Frequency table below provides general guidelines to assist in configuring a schedule. Please note that the frequency of care required to guard the Code Blue unit's surface from damage will also be dictated by local environmental characteristics.

#### LEGEND: POLLUTANTS LEVEL

Low	★
Low/Moderate	★★
Moderate	★★★
Moderate/High	★★★★
High	★★★★★

#### SURFACE CARE FREQUENCY

	MONTHLY	BIMONTHLY	QUARTERLY	BIANNUAL	ANNUAL
Painted		★★★★★	★★★★	★★★	★
Stainless Steel	★★★★★	★★★★	★★★	★	

See scheduled tasks under Biannually for suggested paint sealants or stainless steel cleaners.

### AVERAGE COMPONENT LIFE

Component life is based on various mechanical, operational and environmental factors. Your local Code Blue dealer can assist you with a regularly scheduled maintenance program customized to your individual site requirements.

*Code Blue strongly recommends contacting a local CB dealer to establish a proactive maintenance schedule.*



## 55 CB 1-s with AED Access and Maintenance

The following methods can be used to access the Automated External Defibrillator (AED) device:

1. When the red button is depressed, the unit will make a call. After the call has been answered, the answering party can depress the 5 key on their telephone keypad. This will release the door latch, giving the caller access to the AED device.
2. The units have a key fob supplied at the time of purchase. This key fob can be used within a 20-foot radius to release the door latch, giving the caller access to the AED device.
3. The unit can be called and placed into two-way monitor mode. At this time, the person calling the unit can depress the 6 key on their telephone keypad, which will provide access to the AED device.
4. The access panel on the back of the Code Blue unit is removed and the manual latch release is pulled, granting access to the AED device.

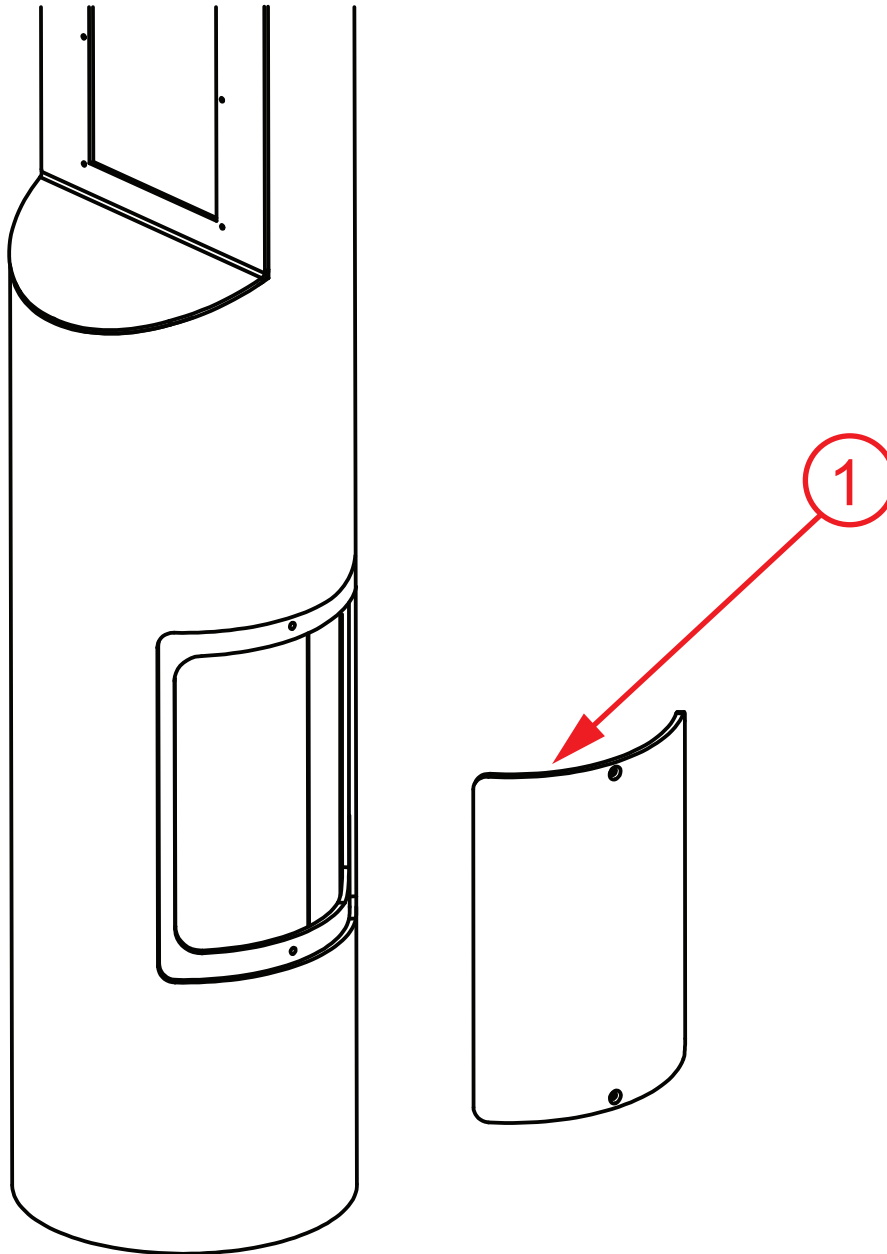
Typically, AED manufacturers recommend that the device be checked once per week for proper operation. Some units will give an audible “chirp” if the self-diagnostics have failed and the unit needs service. Others may use another indicator to verify its status. Refer to manufacturer’s maintenance instructions for correct diagnostic testing to ascertain whether the device requires service or not.

In addition, review the manufacturer’s replacement policy for pad and battery replacement. Pay close attention to the AED temperature specifications and consider the life of the AED battery, which can be greatly affected by extreme heat or cold environments and reduce the capacity by up to 50 percent.



## 56 Locating Unit Serial Numbers

Remove the access plate cover with the special security bit. The serial number will be listed on the manufacturer's label located on the backside of the access plate cover (1).







## 57 Warranty

Code Blue Corporation provides a limited warranty on this product. Refer to your sales agreement to establish the terms. In addition, Code Blue's standard warranty language, as well as information regarding support for this product while under warranty, is available at [www.codeblue.com/support](http://www.codeblue.com/support).

### In Case of Breakdown

In case of system breakdown, discontinue use and contact :

Tech Support at [ts@codeblue.com](mailto:ts@codeblue.com) or call **800-205-7186, option 3**.

### In Case of Abnormal Operation

If the unit emits smoke or an unusual smell, if water or other foreign material enters the enclosure, or if you drop the unit or damage the enclosure, power off the unit immediately and contact:

Code Blue Customer Service at [customerservice@codeblue.com](mailto:customerservice@codeblue.com) or call Customer Service at **800-205-7186, option 2**.



## 58 Download Information

**Code Blue now has a centralized location where you can find installation, setup, information, configuration and operation instructions.**

1. Centry® Administrator Guide: [www.codeblue.com/resources/guides](http://www.codeblue.com/resources/guides)
2. CB 1 Series Administrator Guide: [www.codeblue.com/resources/guides](http://www.codeblue.com/resources/guides)
3. CB 2 Series Administrator Guide: [www.codeblue.com/resources/guides](http://www.codeblue.com/resources/guides)
4. CB 4 Series Administrator Guide: [www.codeblue.com/resources/guides](http://www.codeblue.com/resources/guides)
5. CB 5 Series Administrator Guide: [www.codeblue.com/resources/guides](http://www.codeblue.com/resources/guides)
6. CB 9 Series Administrator Guide: [www.codeblue.com/resources/guides](http://www.codeblue.com/resources/guides)
7. CB RT Administrator Guide: [www.codeblue.com/resources/guides](http://www.codeblue.com/resources/guides)
8. Phone Enclosures Administrator Guide: [www.codeblue.com/resources/guides](http://www.codeblue.com/resources/guides)
9. Stainless Steel Maintenance Guide: [www.codeblue.com/support](http://www.codeblue.com/support)
10. IA4100 Administrator Guide: [www.codeblue.com/resources/guides](http://www.codeblue.com/resources/guides)
11. IP5000 Administrator Guide: [www.codeblue.com/resources/guides](http://www.codeblue.com/resources/guides)
12. IP1500/2500 Administrator Guide: [www.codeblue.com/resources/guides](http://www.codeblue.com/resources/guides)
13. ToolVox® X3 Administrator Guide: [www.codeblue.com/resources/guides](http://www.codeblue.com/resources/guides)
14. Public Address Administrator Guide: [www.codeblue.com/resources/guides](http://www.codeblue.com/resources/guides)
15. Blue Alert® MNS User Guide: [www.codeblue.com/resources/guides](http://www.codeblue.com/resources/guides)
16. Blue Alert® EMS User Guide: [www.codeblue.com/resources/guides](http://www.codeblue.com/resources/guides)
17. IP1500/IP2500 Firmware: [www.codeblue.com/support/firmware](http://www.codeblue.com/support/firmware)
18. IP5000 Versions 1.X & 2.X Firmware: [www.codeblue.com/support/firmware](http://www.codeblue.com/support/firmware)

### **For Legacy Product Information:**

[www.codeblue.com/legacy-products](http://www.codeblue.com/legacy-products)

These guides should contain all the information needed for your application. If further information is required, please contact **customerservice@codeblue.com**.