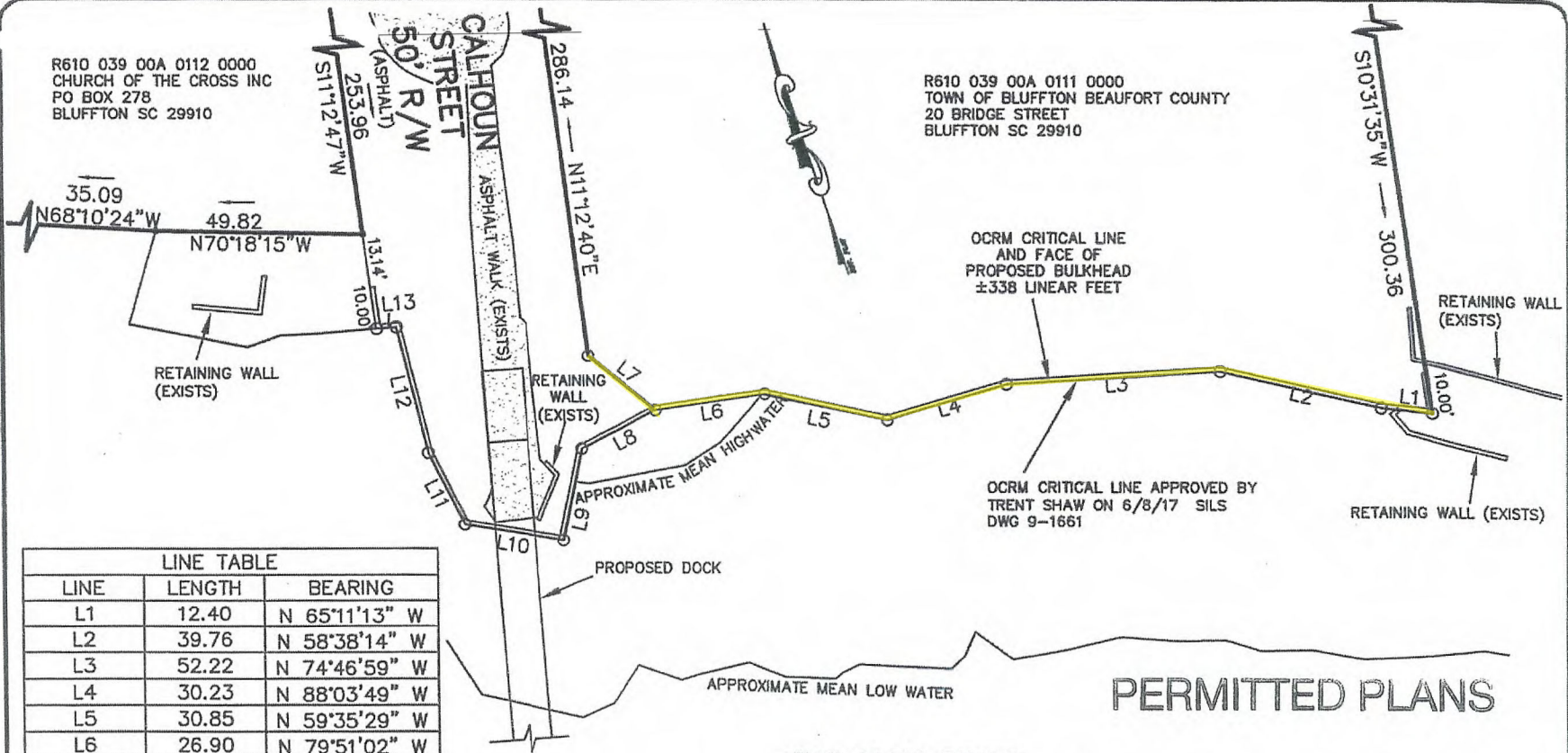


R610 039 00A 0112 0000
 CHURCH OF THE CROSS INC
 PO BOX 278
 BLUFFTON SC 29910

R610 039 00A 0111 0000
 TOWN OF BLUFFTON BEAUFORT COUNTY
 20 BRIDGE STREET
 BLUFFTON SC 29910



OCRM CRITICAL LINE AND FACE OF PROPOSED BULKHEAD ±338 LINEAR FEET

OCRM CRITICAL LINE APPROVED BY TRENT SHAW ON 6/8/17 SILS DWG 9-1661

RETAINING WALL (EXISTS)

RETAINING WALL (EXISTS)

RETAINING WALL (EXISTS)

RETAINING WALL (EXISTS)

PROPOSED DOCK

APPROXIMATE MEAN LOW WATER

PERMITTED PLANS

THE MAY RIVER SAC-2017-01038 Bluffton Town Bulkhead
 August 21, 2018 Sheet 4 of 4

SCALE: 1" = 40'



NOTE:
 PROPOSED BULKHEAD LAYOUT, TO BE VERIFIED BY APPROPRIATE STRUCTURAL PROFESSIONAL.

LINE TABLE		
LINE	LENGTH	BEARING
L1	12.40	N 65°11'13" W
L2	39.76	N 58°38'14" W
L3	52.22	N 74°46'59" W
L4	30.23	N 88°03'49" W
L5	30.85	N 59°35'29" W
L6	26.90	N 79°51'02" W
L7	21.04	N 32°18'26" W
L8	20.40	S 81°24'18" W
L9	22.84	S 30°29'43" W
L10	24.99	N 62°23'20" W
L11	19.46	N 08°05'18" W
L12	31.56	N 05°04'25" E
L13	4.65	N 76°02'05" W

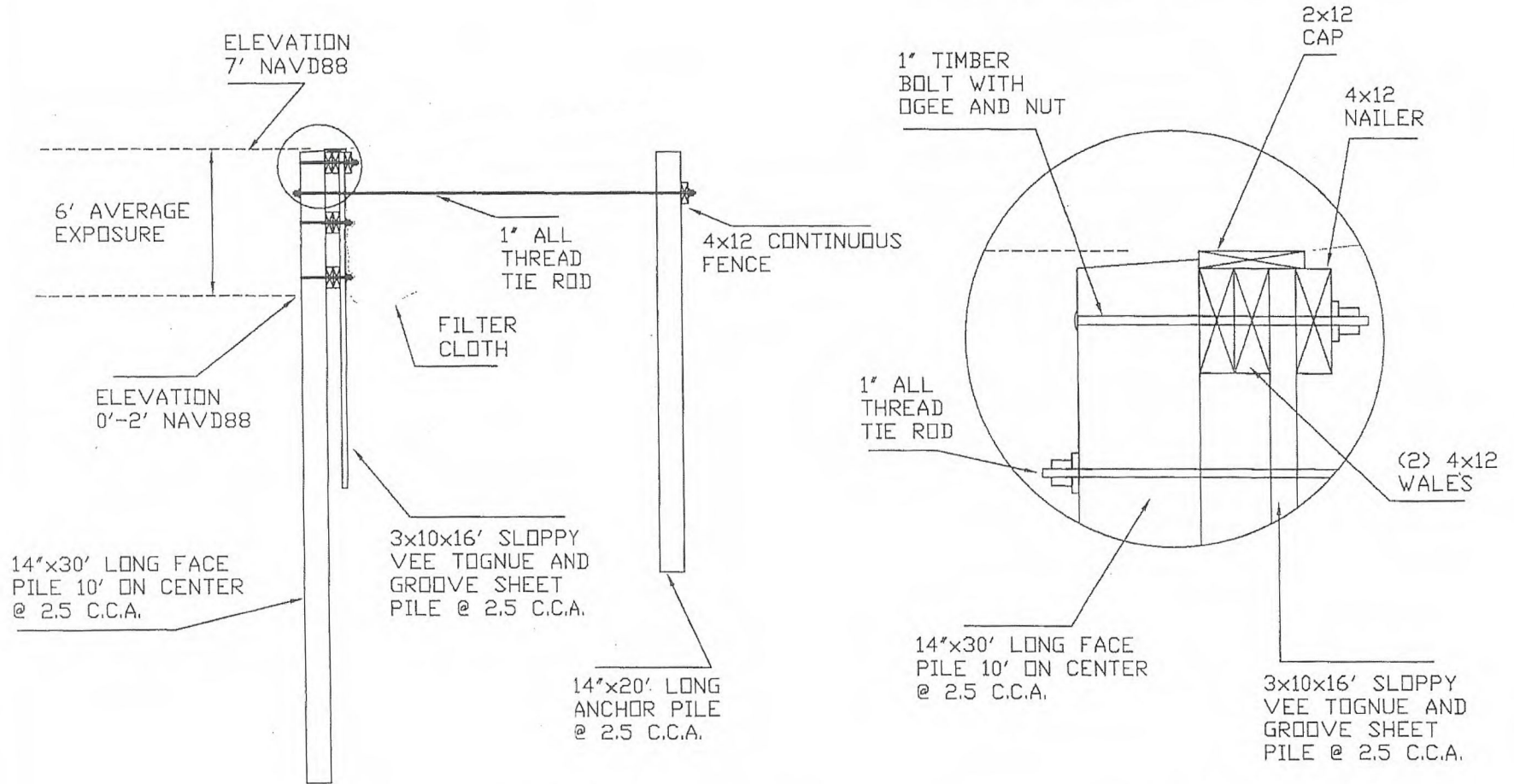
APPLICANT
 TOWN OF BLUFFTON
 ADDRESS: 20 BRIDGE STREET
 BLUFFTON SC 29910
 DATE: JUL. 31 2018
 WATERBODY: MAY RIVER

LOCATION
 ADDRESS: 111 CALHOUN STREET
 LEGAL: PARCEL 111
 CALHOUN STREET
 BLUFFTON TOWNSHIP
 SC, 29910
 BEAUFORT COUNTY,
 SOUTH CAROLINA
 TAX PARCEL #: R610 039 00A 0111 0000



PLAN VIEW
 PROPOSED BULKHEAD
 SHEET 4 of 4 Sheets
SILS Sea Island Land Survey, LLC.
 4D Mathews Court, Tel (843) 681-3248
 Hilton Head Island, Fax (843) 689-3871
 SC 29926 E-mail: sils@sprynet.com
 FILE No : 17099/2
 DWG No. : 9-1707

DETAIL:



PERMITTED PLANS

SAC-2017-01038 Bluffton Town Bulkhead
 August 21, 2018 Sheet 3 of 4



CUSTOMER..... BLUFFTON TOWN BULKHEAD
 PROPOSAL #.....
 DATE..... 4/4/18 PAGE OF