

**THE GOVERNING BOARD OF THE  
ST. JOHNS RIVER WATER MANAGEMENT DISTRICT  
FABRICATE AND INSTALL MANATEE BARRIERS - MOSS BLUFF  
INVITATION FOR BID 38618**

The Governing Board of the St. Johns River Water Management District (the “District”), requests that interested parties respond to the solicitation below by 2:00 p.m., April 20, 2023. Further information is available through DemandStar at *Demandstar.com* [(800) 711-1712], Vendor Registry at *Vendorregistry.com*, or the District’s website at *sjrwm.com*. Solicitation packages may be obtained from DemandStar, Vendor Registry, or the District by calling or emailing Amy Lucey, Senior Procurement Specialist, at 321-409-2156 or [ALucey@sjrwm.com](mailto:ALucey@sjrwm.com). Responses will be opened at the Palm Bay Service Center, 525 Community College Parkway SE, Palm Bay FL 32909.

This District is requesting Bid Submittals from qualified firms able to provide services to fabricate and install of two manatee barriers and support frames upstream from the Moss Bluff water control structure. It should be noted that two barriers and support frames are required as there are two independent spillways that make up the dam structure.

The estimated budget for the project is \$100,000.00, and the project completion date is July 31, 2023. Any deviation from this schedule shall be noted in Contractor’s bid.

**Americans With Disabilities Act (ADA)**

The District does not discriminate on the basis of disability in its services, programs, or activities. Special accommodations for disabilities may be requested through Amy Lucey, or by calling (800) 955-8771 (TTY), at least five business days before the date needed.

INSTRUCTIONS TO RESPONDENTS .....	- 3 -
1. <b>DEFINITIONS</b> .....	- 3 -
2. <b>CONTRACT ADMINISTRATION</b> .....	- 3 -
3. <b>WHERE TO DELIVER BID</b> .....	- 3 -
4. <b>OPENING OF BIDS</b> .....	- 4 -
5. <b>PREPARATION AND ORGANIZATION OF BID DOCUMENTS</b> .....	- 4 -
6. <b>INQUIRIES AND ADDENDA</b> .....	- 5 -
7. <b>BUDGET ESTIMATE</b> .....	- 5 -
8. <b>MINIMUM QUALIFICATIONS</b> .....	- 6 -
9. <b>BID GUARANTY</b> .....	- 6 -
10. <b>SUBCONTRACTS</b> .....	- 6 -
11. <b>SIGNATURE AND CERTIFICATION REQUIREMENTS</b> .....	- 6 -
12. <b>DISQUALIFICATION OF RESPONDENTS</b> .....	- 6 -
13. <b>REJECTION OF BID</b> .....	- 7 -
14. <b>WITHDRAWAL OF BIDS</b> .....	- 7 -
15. <b>AWARDING THE AGREEMENT</b> .....	- 7 -
16. <b>EXECUTION OF AGREEMENT</b> .....	- 8 -
17. <b>EXAMINATION OF AGREEMENT DOCUMENTS AND WORK AREA</b> .....	- 8 -
18. <b>DIVERSITY</b> .....	- 9 -
19. <b>FLORIDA SALES TAX</b> .....	- 9 -
20. <b>PUBLIC ENTITY CRIMES/DISCRIMINATORY VENDORS</b> .....	- 9 -
21. <b>USE BY OTHER FLORIDA GOVERNMENTAL ENTITIES</b> .....	- 9 -
22. <b>NOTICES AND SERVICES THEREOF</b> .....	- 9 -
23. <b>PROTEST PROCEDURES</b> .....	- 10 -
FORMS.....	- 11 -
BID FORM .....	- 11 -
PROPOSED SUBCONTRACTORS .....	- 13 -
CERTIFICATE AS TO CORPORATION .....	- 14 -
AFFIDAVIT AS TO NON-COLLUSION AND CERTIFICATION OF MATERIAL	
CONFORMANCE WITH SPECIFICATIONS .....	- 15 -
QUALIFICATIONS — GENERAL.....	- 16 -
QUALIFICATIONS — SIMILAR PROJECTS .....	- 17 -
QUALIFICATIONS — CLIENT REFERENCE .....	- 19 -
DRUG-FREE WORKPLACE FORM .....	- 21 -
NO RESPONSE FORM.....	- 22 -
<b>AGREEMENT</b> .....	- 23 -
ATTACHMENT A — STATEMENT OF WORK .....	- 42 -
ATTACHMENT B — INSURANCE REQUIREMENTS.....	- 45 -
ATTACHMENT C — DISTRICT’S SUPPLEMENTAL INSTRUCTIONS (sample) .....	- 47 -

**INSTRUCTIONS TO RESPONDENTS**

**1. DEFINITIONS**

The definitions of capitalized terms used in this solicitation that are not otherwise defined herein can be found in the sample contract document (the “Agreement”) that is at the end of these instructions. The Agreement includes these Instructions to Respondents, any addenda published by the District, the bid provided by Respondent (the “Bid”), and all required certifications and affidavits.

**2. CONTRACT ADMINISTRATION**

All inquiries related to this solicitation may only be directed to the Procurement Specialist:

Amy Lucey, Senior Procurement Specialist  
 Phone: 321-409-2156  
 Fax: 321-722-5357  
 Email: ALucey@sjrwmd.com

Between the release of this solicitation and the posting of the notice of intended decision, Respondents to this solicitation or persons acting on their behalf may not contact any employee or officer of the District concerning any aspect of this solicitation, except the procurement employee listed above. Violation of this provision is grounds for rejecting a response.

**3. WHERE TO DELIVER BID**

Bids may now be uploaded directly to [www.demandstar.com](http://www.demandstar.com)

OR

Digital bids must be mailed or hand-delivered, in a sealed envelope to:

Amy Lucey, Senior Procurement Specialist  
 St. Johns River Water Management District  
 Palm Bay Service Center  
 525 Community College Parkway SE, Palm Bay, FL 32909

Respondents mailing digital responses must clearly label the Bid envelope with **large bold, and/or colored lettering (place label on inner envelope if double sealed)** as follows:

SEALED BID — DO NOT OPEN  
 Respondent’s Name: \_\_\_\_\_  
 Invitation for Bid: 38618  
 Opening Time: 2:00 p.m.  
 Opening Date: April 20, 2023

#### 4. OPENING OF BIDS

Respondents or their authorized agents are invited to attend the opening of the Bids at the following time and place:

2:00 p.m., April 20, 2023  
 St. Johns River Water Management District  
 Palm Bay Service Center  
 525 Community College Parkway SE, Palm Bay, FL 32909

The Florida Public Records Act, §119.071(1)(b), Fla. Stat., exempts sealed Bids from inspection and copying until such time as the District provides notice of an intended decision pursuant to §120.57(3)(a), Fla. Stat., or until 30 days after opening of bids, proposals, submittals, or final replies, whichever is earlier. This exemption is not waived by the public opening of the Bids.

Unless otherwise exempt, Respondent's Bid is a public record subject to disclosure upon expiration of the above exemption period. If any information submitted with the Bid is a trade secret as defined in §812.081, Fla. Stat., and exempt from disclosure pursuant to §815.04, Fla. Stat., Respondent must clearly identify any such material as "CONFIDENTIAL TRADE SECRET" in its Bid and explain the basis for such exemption. The District reserves the right, in its sole judgment and discretion, to reject a Bid for excessive or unwarranted assertion of trade secret confidentiality and return the Bid to Respondent.

#### 5. PREPARATION AND ORGANIZATION OF BID DOCUMENTS

Respondent must submit its Bid either by uploading to Demandstar or in "digital format." Instructions for submitting are provided below.

1. Respondents must submit the following fully executed documents on reproduced copies of the attached forms provided in FORMS:
  - a. Bid Form
  - b. Cost Schedule
  - c. Certificate as to Corporation
  - d. Affidavit as to Non-collusion and Certification of Material Conformance with Specifications
  - e. Qualifications (General, Similar Projects, Client References, Subcontractors, and other required qualification forms)
  - f. Drug-Free Workplace Form (not required unless there is a tie bid)
2. Respondents must submit the original bid package in the form and manner specified herein. All blank spaces on the bid documents must be typewritten or legibly printed in ink. Respondent must specify the cost for any one complete bid item or the entire work described in the Agreement (the "Work") in figures as indicated by the spaces provided. In the event you decline to submit a bid, the District would appreciate submittal of the "No Response Form" provided at the end of the "FORMS" section to describe the reason for not submitting a bid.
3. Respondent must follow all procedures for uploading to Demandstar or digital submission or the Respondent's Bid may be determined as "non-responsive" and rejected.
4. Unless directed otherwise, all information required by the solicitation, including the forms and questionnaires listed under "1" above must be completed (typed or hand written) and included in the submission in electronic format (forms must be completed and converted/scanned to PDF format (Adobe)).
5. The file-naming conventions for the bid shall include:

- g. Bid: IFB # Respondent's name (abbreviated) Due Date  
(Example: IFB 12345 ABC Company 01-15-16)
6. All digitally submitted files shall be saved to a single CD or pin/thumb/jump drive. The CD or pin/thumb/jump drive MUST be placed in a sealed envelope pursuant to the instructions under Item 3 for sealed Bid – DO NOT SUBMIT YOUR BID BY EMAIL — THIS WILL RESULT IN THE BID BEING REJECTED AS NON-RESPONSIVE.
  7. Please do NOT password protect your files. The District recommends that Respondents confirm their Submittal will open correctly on a non-company owned computer. Any electronic submittal received by the District that does not open on a District-owned computer is subject to rejection as a defective response.

All of the forms and questionnaires in the Invitation for Bids package are available upon request in Microsoft® Word to aid the Respondent in submitting its Bid.

**If you need assistance or have any questions about the format, please call or email Amy Lucey at 321-409-2156 or Alucey@sjrwmd.com.**

**A RESPONDENT'S BID MAY BE REJECTED AS NON-RESPONSIVE FOR (1) FAILING TO COMPLETE ALL FORMS AND QUESTIONNAIRES; (2) FAILING TO PROVIDE ALL REQUIRED MATERIALS; AND (3) OTHERWISE FAILING TO COMPLY WITH INSTRUCTIONS FOR PREPARATION AND ORGANIZATION OF BID**

## 6. INQUIRIES AND ADDENDA

District staff are not authorized to orally interpret the meaning of the specifications or other Agreement documents, or correct any apparent ambiguity, inconsistency, or error therein. In order to be binding upon the District, the interpretation or correction must be given by the Procurement Specialist and must be in writing. The Procurement Specialist may orally explain the District's procedures and assist Respondents in referring to any applicable provision in the Invitation for Bids documents, but the Respondent is ultimately responsible for submitting the Bid in the appropriate form and in accordance with written procedures.

Every request for a written interpretation or correction must be received at least nine days prior to opening of Bids in order to be considered. Requests may be submitted by email to Amy Lucey at ALucey@sjrwmd.com. Interpretations, corrections, and supplemental instructions will be communicated by written addenda to this solicitation posted by DemandStar and Vendor Registry to all prospective Respondents (at the respective addresses furnished for such purposes) no later than five days before the opening of Bids.

Submission of a Bid constitutes acknowledgment of receipt of all addenda. Bids will be construed as though all addenda had been received. Failure of the Respondent to receive any addenda does not relieve Respondent from any and all obligations under the Bid, as submitted. All addenda become part of the Agreement.

## 7. BUDGET ESTIMATE

The estimated budget for the Work is \$100,000.00. The above amount is an estimate only and does not limit the District in awarding the Agreement. Respondents are cautioned to not make any assumptions from the budget estimate about the total funds available for the Work. The District retains the right to adjust the estimate in awarding the Agreement. The District also reserves the right to reject all Bids if subsequent negotiations with qualified Respondents result in costs over this estimated budget amount. In addition, the District reserves the right to increase, decrease, or delete any class, item, or part of the Work in order to reduce costs for any reason. The District may discuss alternatives for reducing the cost of the Work with Respondents and make such modifications as it determines to be in its best interest.

**8. MINIMUM QUALIFICATIONS**

Respondent must use the "Qualification" forms (General, Similar Projects, and Client References) provided in these documents to document the minimum qualifications listed below. Failure to include these forms with the Bid may be considered non-responsive.

- a. Respondent (or a combination of the firm, individual, or project manager assigned to the work) must have successfully completed at least three projects of a similar nature (fabrication and installation of manatee barriers) within the three years immediately preceding the date for receipt of Bids. Each project must have had a project value of at least \$50,000.00.
- b. Respondent must have no less than five years of experience on projects of a similar nature as specified above.
- c. Respondent must provide three client references. Up to two of the client references may be from the similar projects listed in response to subparagraph (a), above. No more than one of the references may be from completed District projects. If a District project is cited, do not contact District staff. Prior contract performance evaluations will be used.

Irrespective of the minimum qualifications stated above, the District may make such investigations as it deems necessary to determine the ability of the Respondent to perform the Work. The District reserves the right to reject any Bid if the evidence submitted by such Respondent and/or the District's independent investigation of such Respondent fails to satisfy the District that such Respondent is properly qualified to carry out the obligations of the Agreement and complete the Work in a manner acceptable to the District within the time period specified.

**9. BID GUARANTY**

For the purposes of this Bid, a Bid guaranty is not required.

**10. SUBCONTRACTS**

Respondent must submit with its Bid a list of all known subcontractors who will participate in more than ten percent of the Work on the attached "Proposed Subcontractors" form. Acceptance of the Bid does not constitute approval of the subcontractors identified with the Bid.

**11. SIGNATURE AND CERTIFICATION REQUIREMENTS**

An individual submitting a Bid must sign his/her name therein and state his/her address and the name and address of every other person interested in the Bid as principal. If a firm or partnership submits the Bid, state the name and address of each member of the firm or partnership. If a corporation submits the Bid, an authorized officer or agent must sign the Bid, subscribing the name of the corporation with his or her own name and affixing the corporate seal. Such officer or agent must also provide the name of the state under which the corporation is chartered, and the names and business addresses of the President, Secretary, and Treasurer. Corporations chartered in states other than Florida must submit evidence of registration with the Florida Secretary of State for doing business in the State of Florida. Respondent must certify that all persons or entities having an interest as principal in the Bid or in substantial performance of the Work have been identified in the Bid forms.

**12. DISQUALIFICATION OF RESPONDENTS**

Any of the following causes will be considered as sufficient grounds for disqualification of a Respondent and rejection of the Bid:

- a. Contacting a District employee or officer other than the procurement employee named in this solicitation about any aspect of this solicitation before the notice of intended decision is posted.
- b. Submission of more than one Bid for the same subject matter by an individual, firm, partnership, or corporation under the same or different names;

- c. Evidence of collusion among Respondents;
- d. Submission of materially false information with the Bid;
- e. Information gained through checking of references or other sources which indicates that Respondent may not successfully perform the Work;
- f. Respondent is failing to adequately perform on any existing contract with the District;
- g. Respondent has defaulted on a previous contract with the District;
- h. The evidence submitted by Respondent, or the District's investigation of Respondent, fails to satisfy the District that Respondent is properly qualified to carry out the obligations of the Agreement in a manner acceptable to the District and within the time period specified;
- i. Any other cause that is sufficient to raise doubt regarding the ability of a Respondent to perform the Work in a manner that meets the District's objectives for the Work.

### 13. REJECTION OF BID

Bids must be delivered to the specified location and received before the Bid opening in order to be considered. Untimely Bids will be returned to the Respondent unopened. Bids will be considered irregular and may be rejected if they show material omissions, alterations of form, additions not called for, conditions, limitations, or other material irregularities. The District may consider incomplete any Bid not prepared and submitted in accordance with the provisions specified herein, and reserves the right to waive any minor deviations or irregularities in an otherwise valid Bid.

The District reserves the right to reject any and all Bids and cancel this request for qualifications when it determines, in its sole judgment and discretion, that it is not in its best interest to award the agreement.

### 14. WITHDRAWAL OF BIDS

Respondent may withdraw its Bid if it submits such a written request to the District prior to the designated date and hour of opening of Bids. Respondent may be permitted to withdraw its Bid no later than 72 hours after the Bid opening for good cause, as determined by the District in its sole judgment and discretion.

### 15. AWARDING THE AGREEMENT

- a. The Agreement will be awarded to the lowest responsive, responsible Respondent, being the Respondent with the lowest Total Bid Cost who demonstrates, in accordance with the requirements of the bid documents, a verifiable history of the skill, ability, integrity, and reliability necessary for the faithful performance of the Agreement (the "Successful Respondent"). The Agreement may be modified based on the District's acceptance of any alternatives listed in the bid that the District deems in its best interest.
- b. Section 286.0113, Fla. Stat., exempts from being open to the public, any portion of a meeting at which: (1) a negotiation with a Respondent is conducted pursuant to a competitive solicitation; (2) a Respondent makes an oral presentation as part of a competitive solicitation; (3) a Respondent answers questions as part of a competitive solicitation; or (4) negotiation strategies are discussed. Also, recordings of, and any records presented at, the exempt meeting are exempt from §119.07(1) and §24(a), Art. I of the State Constitution (Public Records) until such time as the District provides notice of an intended decision or until 30 days after opening the bids, proposals, submittals, or final replies, whichever occurs earlier. A complete recording shall be made of any portion of an exempt meeting. No portion of the exempt meeting may be held off the record.
- c. Pursuant to §286.0113 Fla. Stat., if the District rejects all bids and concurrently provides notice of its intent to reissue the competitive solicitation, any recordings or records presented at any exempt meeting relating to the solicitation shall remain exempt from §119.07(1) and §24(a), Art. I of the State Constitution (Public Records) until such time as the District provides notice of an intended

decision concerning the reissued competitive solicitation or until the District withdraws the reissued competitive solicitation. A recording and any records presented at an exempt meeting are not exempt for longer than 12 months after the initial District notice rejecting all bids.

- d. If two or more bids are equal in all respects, the Agreement will be awarded as follows: (1) to the Respondent that certifies compliance with §287.087, Fla. Stat., via the Drug-Free Workplace Form; (2) to a Respondent university in the State University System pursuant to §373.63, Fla. Stat.; (3) to a Respondent whose bid contains commodities manufactured, grown, or produced within the State of Florida pursuant to §287.082 Fla. Stat. or (4) by lot.
- e. The District reserves the right to award the Agreement to the next lowest available bidder in the event the Successful Respondent fails to enter into the Agreement, or the Agreement with said Respondent is terminated within 90 days of the effective date.
- f. All Respondents will be notified of the District's intent to award or decision to award the Agreement. For the purpose of filing a bid protest under §120.57(3), Fla. Stat., the time period will commence as provided in "NOTICES AND SERVICES THEREOF."

## 16. EXECUTION OF AGREEMENT

Submittal of a Bid binds the Successful Respondent to perform the Work upon acceptance of the Bid and execution of the Agreement by the District.

Unless all Bids are rejected, a contract substantially in the form included in these documents will be provided to the Successful Respondent, who must execute and return the Agreement to the District within ten days of the date of receipt, along with the following:

- a. A completed Internal Revenue Service Form W-9
- b. Satisfactory evidence of all required insurance coverage
- c. Proof satisfactory to the District of the authority of the person or persons executing the Agreement on behalf of Respondent
- d. All other information and documentation required by the Agreement

The District will not execute the Agreement until the above documents have been executed and delivered to the District. The Agreement will not be binding until executed by the District. A copy of the fully executed Agreement will be delivered to the Successful Respondent. The District reserves the right to cancel award of the Agreement without liability at any time before the Agreement has been fully executed by all parties and delivered to the Successful Respondent.

Failure upon the part of the Successful Respondent to execute the Agreement or timely submit the required evidence of insurance coverage, or any other matter required by the Agreement, will be just cause, if the District so elects, for the recommended award to be annulled.

## 17. EXAMINATION OF AGREEMENT DOCUMENTS AND WORK AREA

Respondent is solely responsible for being fully informed of the conditions under which the Work is to be performed in relation to existing conditions. Respondent is responsible for carefully examining the general area of the Work, the requirements of the drawings and other contract documents related to the Work, the time in which the Work must be completed, and any other details of the Work. Respondent must satisfy itself from its own personal knowledge and experience or professional advice as to the character of the Work, the conditions and materials to be encountered, the character, quality, and quantities of the Work, and any other conditions affecting the Work, including surrounding land.

Failure to satisfy the obligations of this paragraph will not relieve a Successful Respondent of its obligation to furnish all material, equipment, and labor necessary to perform the Agreement and to complete the Work for the consideration set forth in its Bid. Any such failure will not be sufficient cause to submit a claim for additional compensation.



No verbal agreement or conversation with any District officer, agent or employee, either before or after the execution of the Agreement, will affect or modify any of its terms.

**18. DIVERSITY**

The District is committed to the opportunity for diversity in the award and performance of all procurement activities. The District encourages Respondents to make a good faith effort to ensure that women and minority-owned business enterprises (W/MBE) are given the opportunity for maximum participation as second and lower tier participants. The District will assist the Successful Respondent by sharing information on W/MBEs.

**19. FLORIDA SALES TAX**

The District is exempt from payment of State of Florida sales tax pursuant to §212.08(6), Fla. Stat. Any tangible personal property that is the subject of this Invitation for Bids is intended to remain tangible personal property and not become part of a public work owned by the District.

**20. PUBLIC ENTITY CRIMES/DISCRIMINATORY VENDORS**

In accordance with §287.133 and §287.134, Fla. Stat., a person or affiliate who has been placed on the convicted or discriminatory vendor lists following a conviction for a public entity crime or placement on the discriminatory vendor list may not submit a bid, proposal, or reply on a contract to provide any goods or services to a public entity; may not submit a bid, proposal, or reply on a contract with a public entity for the construction or repair of a public building or public work; may not submit bids, proposals, or replies on leases of real property to a public entity; may not be awarded or perform work as a contractor, supplier, subcontractor, or consultant under a contract with any public entity; and may not transact business with any public entity in excess of the threshold amount provided in §287.017 for CATEGORY TWO (\$35,000) for a period of 36 months following the date of being placed on the convicted or discriminatory vendor lists.

**21. USE BY OTHER FLORIDA GOVERNMENTAL ENTITIES**

Respondent may provide services to other State of Florida governmental entities pursuant to the terms and conditions of the Agreement. These governmental entities include other water management districts, state of Florida agencies (including members of the state university system and community college system), counties, school boards, municipalities, special districts, and other local public agencies or authorities. References to the St. Johns River Water Management District in the Agreement will be replaced with the purchasing entity and the District will not be a party to any other governmental entity's agreement to purchase. Nor will the District be responsible for payment for any goods or services delivered or performed for any other governmental entity that utilizes Respondent pursuant to this paragraph.

**22. NOTICES AND SERVICES THEREOF**

The District will publish notice of specifications and criteria, including addenda, intended agency decisions, or other matters pertinent to this solicitation on Onvia DemandStar at *DemandStar.com* and Vendor Registry at *vendorregistry.com*. Onvia DemandStar and Vendor Registry may also be accessed through the District's web site at *sjrwm.com*. In addition, the District will post notices of intended agency decisions at the District's headquarters, 4049 Reid Street, Palatka, Florida, Administration Building, Procurement Bulletin Board, on the date the publication is posted on Onvia DemandStar.

Notices that are posted on Onvia DemandStar and Vendor Registry are deemed received at 8:00 a.m. on the next business day following the date posted. Notices that are posted at the District's Procurement Bulletin Board are deemed received at 8:00 a.m. on the next business day following the date of posting. Notices will be posted for a minimum of 72 hours following the time at which they are deemed received.

The time period for filing a Notice of Protest pursuant to §120.57(3), Fla. Stat., and Rule 28-110.003, Fla. Admin. Code, commences at the time notices are deemed received.

As a courtesy to Respondents, the District may send copies of the notices of intended agency decisions via email or facsimile to Respondent. These courtesy communications neither constitute official notice nor vary the times of receipt set forth above.

### 23. **PROTEST PROCEDURES**

Pursuant to §120.57(3), Fla. Stat., and Rule 28-110.003, Fla. Admin. Code, any person adversely affected by the terms, conditions, or specifications contained in a solicitation, including addenda, must file a written Notice of Protest within 72 hours after its posting.

Pursuant to §120.57(3), Fla. Stat., and Rule 28-110.003, Fla. Admin. Code, any person adversely affected by a District decision or intended decision to award a contract, or to reject all bids, proposals, or qualifications, must file a written Notice of Protest within 72 hours after posting of the decision or intended decision.

Pursuant to §120.57(3), Fla. Stat., and Rule 28-110.004, Fla. Admin. Code, the protester must also file a Formal Written Protest within ten days after the date the Notice of Protest is filed with the District. The Formal Written Protest must state with particularity the facts and law upon which the protest is based. Pursuant to §287.042(2)(c), Fla. Stat., any person who files an action protesting the decision or intended decision must post with the District Clerk at the time of filing the Formal Written Protest a bond, cashier's check, or money order made payable to the St. Johns River Water Management District in an amount equal to one percent (1%) of the District's estimated contract amount.

No additional time will be added for mailing. All filings must comply with Rule 28-106.104, Fla. Admin. Code, and must be addressed to and received by the District Clerk at the District Headquarters in Palatka, Florida within the prescribed time periods. The District will not accept as filed any electronically transmitted facsimile pleadings, petitions, Notice of Protest, or other documents.

The District's acceptance of pleadings, petitions, Notice of Protest, Formal Written Protest, or other documents filed by email is subject to certain conditions set forth in the District's Statement of Agency Organization and Operation (issued pursuant to Rule 28-101.001, Florida Administrative Code), which is available for viewing at [sjrwmd.com](http://sjrwmd.com). These conditions include, but are not limited to, the document being in the form of a PDF or TIFF file and being capable of being stored and printed by the District.

Failure to file a protest within the time prescribed in §120.57(3), Fla. Stat., or failure to post the bond or other security required by law within the time allowed for filing a bond will constitute a waiver of proceedings under chapter 120, Fla. Stat. Mediation under §120.573, Fla. Stat., is not available.

**FORMS**  
**BID FORM**

Include this form in the response

**RESPONDENT:**

The undersigned, as Respondent, hereby declares and certifies that the only person(s) or entities interested in this bid as principal(s), or as persons or entities who are not principal(s) of the Respondent but are substantially involved in performance of the Work, is or are named herein, and that no person other than herein mentioned has any interest in this bid or in the Agreement to be entered into; that this bid is made without connection with any other person, company, or parties making a bid; and that this bid is in all respects fair and in good faith without collusion or fraud.

Respondent represents to the District that, except as may be disclosed in an addendum hereto, no officer, employee or agent of the District has any interest, either directly or indirectly, in the business of Respondent to be conducted under the Agreement, and that no such person shall have any such interest at any time during the term of the Agreement, should it be awarded to Respondent.

Respondent further declares that it has examined the Agreement and informed itself fully in regard to all conditions pertaining to this solicitation; it has examined the specifications for the Work and any other Agreement documents relative thereto; it has read all of the addenda furnished prior to the bid opening, as acknowledged below; and has otherwise satisfied itself that it is fully informed relative to the Work to be performed.

Respondent agrees that if its bid is accepted, Respondent shall contract with the District in the form of the attached Agreement, and shall furnish everything necessary to complete the Work in accordance with the time for completion specified in the Agreement, and shall furnish the required evidence of the specified insurance.

**Acknowledgment is hereby made of the following addenda (identified by number) received:**

Addendum No.	Date	Addendum No.	Date
_____	_____	_____	_____
_____	_____	_____	_____
_____	_____	_____	_____

\_\_\_\_\_  
Respondent (firm name) \_\_\_\_\_  
Date

\_\_\_\_\_  
Address

\_\_\_\_\_  
Email address

\_\_\_\_\_  
Signature \_\_\_\_\_  
Telephone number

\_\_\_\_\_  
Typed name and title \_\_\_\_\_  
Fax number

**COST SCHEDULE**

Include this form in the response

Bid to be opened at 2:00 p.m., April 20, 2023

To: ST. JOHNS RIVER WATER MANAGEMENT DISTRICT

In accordance with the advertisement requesting bids to Fabricate and Install Manatee Barriers - Moss Bluff, subject to the terms and conditions of the Agreement, the undersigned proposes to perform the Work for the price contained in the following schedule (fill in all blanks).

If said bid exceeds the estimated amount previously provided, the District expressly reserves the right to increase, decrease, or delete any class, item, or part of the Work, as may be determined by the District.

Respondents are reminded to refer to "PREPARATION AND ORGANIZATION OF BID DOCUMENTS" for information to be included with the bid package.

The bid will be awarded to the lowest responsive and responsible Respondent for the Total Bid Cost.

DESCRIPTION	TOTAL BID COST
Total Bid Cost to Fabricate and Install Manatee Barriers per the Statement of Work (lump sum)	\$

Pursuant to §287.084(2) Fla. Stat., a vendor whose principal place of business is outside the State of Florida must accompany any written bid, proposal, or reply documents with a written opinion of an attorney at law licensed to practice law in that foreign state, as to the preferences, if any or none, granted by the law of that state to its own business entities whose principal places of business are in that foreign state in the letting of any or all public contracts.

I HEREBY ACKNOWLEDGE, as Respondent's authorized representative, that I have fully read and understand all terms and conditions as set forth in this bid and upon award of such bid, shall fully comply with such terms and conditions.

\_\_\_\_\_  
Date

\_\_\_\_\_  
Respondent (firm name)

\_\_\_\_\_  
Address

\_\_\_\_\_  
E-mail address

\_\_\_\_\_  
Signature

\_\_\_\_\_  
Telephone number

\_\_\_\_\_  
Typed name and title

\_\_\_\_\_  
Fax number

PROPOSED SUBCONTRACTORS

Include this form in the response

Respondent must submit with its Bid a list of all known subcontractors who will participate in more than ten percent of the Work by providing the information requested below. Acceptance of the Bid does not constitute approval of the subcontractors identified with the Bid.

1. Name and address of subcontractor: \_\_\_\_\_

\_\_\_\_\_  
Description of work: \_\_\_\_\_

\_\_\_\_\_  
Estimated value of Work: \_\_\_\_\_

2. Name and address of subcontractor: \_\_\_\_\_

\_\_\_\_\_  
Description of work: \_\_\_\_\_

\_\_\_\_\_  
Estimated value of Work: \_\_\_\_\_

3. Name and address of subcontractor: \_\_\_\_\_

\_\_\_\_\_  
Description of work: \_\_\_\_\_

\_\_\_\_\_  
Estimated value of Work: \_\_\_\_\_

4. Name and address of subcontractor: \_\_\_\_\_

\_\_\_\_\_  
Description of work: \_\_\_\_\_

\_\_\_\_\_  
Estimated value of Work: \_\_\_\_\_

5. Name and address of subcontractor: \_\_\_\_\_

\_\_\_\_\_  
Description of work: \_\_\_\_\_

\_\_\_\_\_  
Estimated value of Work: \_\_\_\_\_

6. Name and address of subcontractor: \_\_\_\_\_

\_\_\_\_\_  
Description of work: \_\_\_\_\_

\_\_\_\_\_  
Estimated value of Work: \_\_\_\_\_

CERTIFICATE AS TO CORPORATION

Include this form in the response

The below Corporation is organized under the laws of the State of \_\_\_\_\_; is authorized by law to respond to this Invitation for Bids and perform all work and furnish materials and equipment required under the Agreement, and is authorized to do business in the state of Florida.

Corporation name: \_\_\_\_\_

Address: \_\_\_\_\_

Registration No.: \_\_\_\_\_

Registered Agent: \_\_\_\_\_

By: \_\_\_\_\_

(Official title)

(Affix corporate seal)

Attest: \_\_\_\_\_

(Secretary)

The full names and business or residence addresses of persons or firms interested in the foregoing bid as principals or officers of Respondent are as follows (specifically include the President, Secretary, and Treasurer and state the corporate office held of all other individuals listed):

\_\_\_\_\_  
\_\_\_\_\_  
\_\_\_\_\_  
\_\_\_\_\_

Identify any parent, subsidiary, or sister corporations involving the same or substantially the same officers and directors that will or may be involved in performance of the Project, and provide the same information requested above on a photocopy of this form.

\_\_\_\_\_  
\_\_\_\_\_  
\_\_\_\_\_

If applicable, attach a copy of a certificate to do business in the state of Florida, or a copy of the application that has been accepted by the state of Florida to do business in the state of Florida, for the Respondent and/or all out-of-state corporations that are listed pursuant to this form.

AFFIDAVIT AS TO NON-COLLUSION AND CERTIFICATION OF MATERIAL CONFORMANCE WITH SPECIFICATIONS

Include this form in the response

STATE OF \_\_\_\_\_

COUNTY OF \_\_\_\_\_

I, the undersigned, \_\_\_\_\_ being first duly sworn, depose and say that:

1. I am the owner or duly authorized officer, representative, or agent of:

\_\_\_\_\_ the Respondent that has submitted the attached bid.

2. The attached bid is genuine. It is not a collusive or sham bid.

3. I am fully informed respecting the preparation and contents of, and knowledgeable of all pertinent circumstances respecting the attached bid.

4. Neither Respondent nor any of its officers, partners, owners, agents, representatives, employees, or parties in interest, including this affiant, has in any way colluded, conspired, connived, or agreed, directly or indirectly, with any other Respondent, firm, or person to submit a collusive or sham bid in connection with the Agreement for which the attached bid has been submitted, or to refrain from bidding in connection with such Agreement, or has in any manner, directly or indirectly, sought by agreement, collusion, communication, or conference with any other Respondent, firm, or person to fix the price or prices in the attached bid of any other Respondent, or to fix any overhead, profit, or cost element of the bid prices or the bid price of any other Respondent, or to secure through collusion, conspiracy, connivance, or unlawful agreement any advantage against the District or any other person interested in the proposed Agreement.

5. The price(s) quoted in the attached bid are fair and proper and are not tainted by any collusion, conspiracy, connivance, or unlawful agreement on the part of the Respondent or any of its agents, representatives, owners, employees, or parties in interest, including this affiant.

6. No official or other officer or employee of the District, whose salary or compensation is payable in whole or in part by the District, is directly or indirectly interested in this bid, or in the supplies, materials, equipment, work, or labor to which it relates, or in any of the profits therefrom.

7. Any materials and equipment proposed to be supplied in fulfillment of the Agreement to be awarded conform in all respects to the specifications thereof. Further, the proposed materials and equipment will perform the intended function in a manner acceptable and suitable for the intended purposes of the District.

Signature: \_\_\_\_\_

Title: \_\_\_\_\_

Subscribed and sworn to before me this \_\_\_\_\_ day of \_\_\_\_\_, 20 \_\_\_\_.

Notary Public, state of \_\_\_\_\_ at Large

My commission expires:

(SEAL)

QUALIFICATIONS — GENERAL

Include this form in the response

As part of the bid, Respondent shall complete the following so that the District can determine Respondent's ability, experience, and facilities for performing the Work.

Name of Respondent: \_\_\_\_\_

Year company was organized/formed: \_\_\_\_\_

Number of years Respondent has been engaged in business under the present firm or trade name: \_\_\_\_\_

Total number of years Respondent has experience in projects similar to the fabrication and installation of manatee barriers, as described in the INSTRUCTIONS TO RESPONDENTS: \_\_\_\_\_

Has Respondent previously been engaged in the same or similar business under another firm or trade name? If so, please describe each such instance.

\_\_\_\_\_  
\_\_\_\_\_  
\_\_\_\_\_  
\_\_\_\_\_

Has Respondent ever been adjudicated bankrupt, initiated bankruptcy, or been the subject of bankruptcy proceedings on behalf of the current entity submitting this bid or a prior entity that Respondent substantially operated or controlled? If yes, please describe the nature and result of those proceedings and the entity involved.

\_\_\_\_\_  
\_\_\_\_\_  
\_\_\_\_\_  
\_\_\_\_\_

Describe the background/experience of the person or persons who will be primarily responsible for directing the Work that will be performed pursuant to this bid. This inquiry is intended to encompass the project manager and/or superintendent who will be engaged on a daily basis in directing performance of the Work.

\_\_\_\_\_  
\_\_\_\_\_  
\_\_\_\_\_  
\_\_\_\_\_



QUALIFICATIONS — SIMILAR PROJECTS

Include this form in the response

Respondent (or a combination of the firm, individual, or project manager assigned to the work) must have successfully completed at least three similar projects (fabrication and installation of manatee barriers) within the three years immediately preceding the date set for receipt of the response, as described in the INSTRUCTIONS TO RESPONDENTS. Each project shall have had a project value of at least \$50,000.00. (Add additional sheet for optional additional completed projects.)

**Completed Project 1:**

Agency/company: \_\_\_\_\_

Current contact person at agency/company: \_\_\_\_\_

Telephone: \_\_\_\_\_ Fax: \_\_\_\_\_ Email: \_\_\_\_\_

Address of agency/company: \_\_\_\_\_

Name of project: \_\_\_\_\_

Description: \_\_\_\_\_

Project value: \_\_\_\_\_ Start date: \_\_\_\_\_ Completion date: \_\_\_\_\_  
(month/year) (month/year)

**Name(s) of assigned personnel:**

Project manager: \_\_\_\_\_

Others: \_\_\_\_\_

**Completed Project 2:**

Agency/company: \_\_\_\_\_

Current contact person at agency/company: \_\_\_\_\_

Telephone: \_\_\_\_\_ Fax: \_\_\_\_\_ Email: \_\_\_\_\_

Address of agency/company: \_\_\_\_\_

Name of project: \_\_\_\_\_

Description: \_\_\_\_\_

Project value: \_\_\_\_\_ Start date: \_\_\_\_\_ Completion date: \_\_\_\_\_  
(month/year) (month/year)

**Name(s) of assigned personnel:**

Project manager: \_\_\_\_\_

Others: \_\_\_\_\_

**Completed Project 3:**

Agency/company: \_\_\_\_\_

Current contact person at agency/company: \_\_\_\_\_

Telephone: \_\_\_\_\_ Fax: \_\_\_\_\_ Email: \_\_\_\_\_

Address of agency/company: \_\_\_\_\_

Name of project: \_\_\_\_\_

Description: \_\_\_\_\_

\_\_\_\_\_

\_\_\_\_\_

Project value: \_\_\_\_\_ Start date: \_\_\_\_\_ Completion date: \_\_\_\_\_  
(month/year) (month/year)

Name(s) of assigned personnel:

Project manager: \_\_\_\_\_

Others: \_\_\_\_\_

\_\_\_\_\_

QUALIFICATIONS — CLIENT REFERENCE

Include this form in the response

Respondent must provide three client references. Up to two of the client references may be from the similar projects listed in response to subparagraph (a), above. No more than one of the references may be from completed District projects. If a District project is cited, do not contact District staff. Prior contract performance evaluations will be used.

**Client Reference 1:**

Agency/company: \_\_\_\_\_

Current contact person at agency/company: \_\_\_\_\_

Telephone: \_\_\_\_\_ Fax: \_\_\_\_\_ E-mail: \_\_\_\_\_

Agency/Company Address: \_\_\_\_\_

Name of project: \_\_\_\_\_

Description: \_\_\_\_\_

Project value: \_\_\_\_\_ Project manager: \_\_\_\_\_

Project Date: \_\_\_\_\_

**Client Reference 2:**

Agency/company: \_\_\_\_\_

Current contact person at agency/company: \_\_\_\_\_

Telephone: \_\_\_\_\_ Fax: \_\_\_\_\_ E-mail: \_\_\_\_\_

Agency/Company Address: \_\_\_\_\_

Name of project: \_\_\_\_\_

Description: \_\_\_\_\_

Project value: \_\_\_\_\_ Project manager: \_\_\_\_\_

Project Date: \_\_\_\_\_

**Client Reference 3:**

Agency/company: \_\_\_\_\_

Current contact person at agency/company: \_\_\_\_\_

Telephone: \_\_\_\_\_ Fax: \_\_\_\_\_ E-mail: \_\_\_\_\_

Agency/Company Address: \_\_\_\_\_

Name of project: \_\_\_\_\_

Description: \_\_\_\_\_

Project value: \_\_\_\_\_ Project manager: \_\_\_\_\_

Project Date: \_\_\_\_\_

DRUG-FREE WORKPLACE FORM

This form required only in the event of a tie response

The Respondent, (business name) \_\_\_\_\_, in accordance with §287.087, Fla. Stat., hereby certifies that Respondent does the following:

1. Informs employees about the dangers of drug abuse in the workplace, the business’s policy of maintaining a drug-free workplace, any available drug counseling, rehabilitation, and employee assistance programs, and the penalties that may be imposed upon employees for drug abuse violations
2. Publishes a statement notifying employees that
  - a. the unlawful manufacture, distribution, dispensing, possession, or use of a controlled substance is prohibited in the workplace and specifying the actions that will be taken against its employees for violations of such prohibition.
  - b. as a condition of working on the contractual services that are the subject of this solicitation, the employee will abide by the terms of the statement and will notify the employer of any conviction of, or plea of guilty or nolo contendere to, any violation of chapter 893, Fla. Stat., or of any controlled substance law of the United States or any state, for a violation occurring in the workplace no later than five days after such conviction.
3. Gives each employee engaged in providing the contractual services that are the subject of this solicitation a copy of the statement specified in paragraph 2, above.
4. Imposes a sanction on, or require the satisfactory participation in, a drug abuse assistance or rehabilitation program if such is available in the employee’s community, by any employee convicted of a violation listed in sub-paragraph 2.b., above.
5. Makes a good faith effort to continue to maintain a drug-free workplace through implementation of §287.087, Fla. Stat.

As the person authorized to sign this statement, I certify that this firm complies fully with the above requirements.

By: \_\_\_\_\_

Title: \_\_\_\_\_

Date: \_\_\_\_\_/

NO RESPONSE FORM  
ST. JOHNS RIVER WATER MANAGEMENT DISTRICT  
INVITATION FOR BIDS 38618

Your reasons for not responding to this Invitation for Bids are valuable to the St. Johns River Water Management District’s procurement process. Please complete this form and return it to the Office of Financial Services no later than the date set for receipt of bids. Thank you for your cooperation.

Please check (as applicable):

- Specifications too “general” (explain below)
- Insufficient time to respond to the solicitation
- Do not provide this type of work for this project
- Schedule would not permit us to perform
- Unable to meet solicitation specifications
- Specifications unclear (explain below)
- Disagree with solicitation or Agreement terms and conditions (explain below)
- Other (specify below)

Remarks: \_\_\_\_\_  
\_\_\_\_\_  
\_\_\_\_\_  
\_\_\_\_\_

DATE \_\_\_\_\_

RESPONDENT (FIRM NAME) \_\_\_\_\_

ADDRESS \_\_\_\_\_

E-MAIL ADDRESS \_\_\_\_\_

\_\_\_\_\_  
SIGNATURE

\_\_\_\_\_  
TYPED NAME AND TITLE

\_\_\_\_\_  
TELEPHONE NUMBER

\_\_\_\_\_  
FAX NUMBER

**AGREEMENT**  
**BETWEEN THE**  
**ST. JOHNS RIVER WATER MANAGEMENT DISTRICT**  
**AND \_\_\_\_\_ TO**  
**FABRICATE AND INSTALL MANATEE BARRIERS - MOSS BLUFF**

THIS AGREEMENT is entered into by and between the GOVERNING BOARD of the ST. JOHNS RIVER WATER MANAGEMENT DISTRICT (the "District"), whose address is 4049 Reid Street, Palatka, Florida 32177-2571, and \_\_\_\_\_ ("Contractor"), whose address is \_\_\_\_\_ . All references to the parties hereto include the parties, their officers, employees, agents, successors, and assigns.

In consideration of the payments hereinafter specified, Contractor agrees to furnish and deliver all materials and perform all labor required for 38618, Fabricate and Install Manatee Barriers - Moss Bluff (the "Work"). In accordance with IFB 38618, Contractor shall complete the Work in conformity with this Agreement, which consists of and incorporates all of the following documents: (1) advertisement for bids, proposals, or qualifications; (2) Instructions to Respondents; (3) addenda; certifications, and affidavits; (4) bid, proposal, or qualifications submittals; (5) Agreement, including the Statement of Work, and any Special Conditions or other attachments. If any provision in the body of this Agreement conflicts with any attachment hereto, the body of this Agreement shall prevail. This Agreement, including attachments, shall take precedence over all solicitation documents (items 1 – 4). The parties hereby agree to the following terms and conditions.

**1. TERM**

- (a) The term of this Agreement shall be from the Effective Date to the Completion Date. Time is of the essence for each and every aspect of this Agreement. Where additional time is allowed to complete the Work, the new time limit shall also be of the essence. All provisions of this Agreement that by their nature extend beyond the Completion Date survive termination or expiration hereof.
- (b) **Effective Date.** The Effective Date is the date upon which the last party to this Agreement has dated and executed the same.
- (c) **Completion Date.** The Completion Date of this Agreement is July 31, 2023, unless extended by mutual written agreement of the parties. The Work shall be completed for use no later than said date.

**2. LIQUIDATED DAMAGES**

- (a) If Contractor neglects, fails, or refuses to satisfactorily complete the Work by the Completion Date, Contractor shall, as a part of the consideration for this Agreement, pay the District the amount stipulated herein, not as a penalty, but as liquidated damages for such breach, for each day Contractor is in default thereafter. This amount is fixed and agreed upon between the parties due to the impracticability and extreme difficulty of ascertaining the actual damages the District would sustain in such event. The amount of liquidated damages shall be one half of one percent (.5%) of the total contract amount per day. Liquidated damages shall be deducted from payments as they become due and may be deducted from the retainage due upon completion. They constitute an agreed-upon liquidated sum solely for consequential damages attributable to delay and are not a substitute for any other consequential damages incurred by the District, such as the

cost of finding a replacement Contractor for completion of the Work if this Agreement is terminated by the District for non-performance.

- (b) Contractor shall not be charged with liquidated damages or any excess cost when the District determines that Contractor's reasons for the time extension are acceptable in accordance with **FORCE MAJEURE; DELAYS; EXTENSION OF COMPLETION DATE**. A written extension of the Completion Date constitutes a waiver of liquidated damages to the new Completion Date unless expressly provided therein to the contrary.

### 3. DELIVERABLES

- (a) The Work is specified in the Statement of Work, Attachment A. Contractor shall deliver all products and deliverables as stated therein. Contractor is responsible for the professional quality, technical accuracy, and timely completion of the Work. Both workmanship and materials shall be of good quality. Contractor shall, if required, furnish satisfactory evidence as to the kind and quality of materials provided. Unless otherwise specifically provided for herein, Contractor shall provide and pay for all materials, labor, and other facilities and equipment necessary for performance of the Work. The District's Project Manager shall make a final acceptance inspection of the deliverables when completed and finished in all respects.
- (b) If not otherwise addressed in the Statement of Work, upon written request, Contractor shall submit written progress reports to the District's Project Manager at the frequency requested in the form approved by the Project Manager at no additional cost to the District. The progress report shall provide an updated progress schedule, taking into account all delays and approved changes in the Work. Failure to provide a progress report will be cause to withhold payment.

- 4. **OWNERSHIP OF DELIVERABLES.** All deliverables, including Work not accepted by the District, are District property when Contractor has received compensation therefor, in whole or in part. Any District source documents or other District or non-District documents, specifications, materials, reports, or accompanying data developed, secured, or used in the performance of the Work, excluding proprietary materials, as outlined in a Statement of Work, are District property and shall be safeguarded and provided to the District upon request. District plans and specifications shall not be used on other work and, with the exception of the original plans and specifications, shall be returned to the District upon request. This obligation shall survive termination or expiration of this Agreement.

### 5. FUNDING OF AGREEMENT

- (a) For satisfactory performance of the Work, the District agrees to pay Contractor a sum not to exceed \_\_\_\_\_ (the "Total Compensation").

### 6. PAYMENT OF INVOICES

- (a) Contractor shall submit itemized invoices on a monthly basis by one of the following two methods: (1) by email to [acctpay@sjrwmd.com](mailto:acctpay@sjrwmd.com) (preferred) or (2) by mail to the St. Johns River Water Management District, Finance Director, 4049 Reid Street, Palatka, Florida 32177-2571. Each invoice shall be submitted in detail sufficient for proper pre-audit and post-audit review. If necessary for audit purposes, Contractor shall provide additional supporting information as required to document invoices.
- (b) **End of District Fiscal Year Reporting.** The District's fiscal year ends on September 30. Irrespective of the invoicing frequency, the District is required to account for all encumbered funds at that time. When authorized under the Agreement, submittal of an invoice for Work completed as of September 30 satisfies this requirement. The invoice shall be submitted no later than October 30. If the Agreement does not authorize submittal of an invoice for Work completed



as of September 30, Contractor shall submit, prior to October 30, a description of the additional Work completed between the last invoice and September 30, and an estimate of the additional amount due as of September 30 for such Work. If there have been no prior invoices, Contractor shall submit a description of the Work completed on the project through September 30 and a statement estimating the dollar value of that Work as of September 30.

- (c) **Final Invoice.** The final invoice must be submitted no later than 45 days after the Completion Date; provided, however, that when the Completion Date corresponds with the end of the District's fiscal year (September 30), the final invoice must be submitted no later than 30 days after the Completion Date. **Final invoices that are submitted after the requisite date shall be subject to a penalty of ten percent of the invoice. This penalty may be waived by the District, in its sole judgment and discretion, upon a showing of special circumstances that prevent the timely submittal of the final invoice. Contractor must request approval for delayed submittal of the final invoice not later than ten days prior to the due date and state the basis for the delay.**
- (d) All invoices shall include the following information: (1) District contract number; (2) Contractor's name and address (include remit address, if necessary); (3) Contractor's invoice number and date of invoice; (4) District Project Manager; (5) Contractor's Project Manager; (6) supporting documentation as to cost and/or project completion (as per the cost schedule and other requirements of the Statement of Work; (7) Progress Report (if required);. Invoices that do not correspond with this paragraph shall be returned without action, stating the basis for rejection. Payments shall be made within 45 days of receipt of an approved invoice. Disputes regarding invoice sufficiency are resolved pursuant to the dispute resolution procedure of this Agreement.
- (e) **Travel expenses.** If the cost schedule for this Agreement includes a line item for travel expenses, travel expenses shall be drawn from the project budget and are not otherwise compensable. If travel expenses are not included in the cost schedule, they are a cost of providing the service that is borne by Contractor and are only compensable when specifically approved by the District as an authorized District traveler. In such instance, travel expenses must be submitted on District or State of Florida travel forms and shall be paid pursuant to District Administrative Directive 391.
- (f) **Payments.** Absent exceptional circumstances, Contractor is required to sign up and receive payment(s) electronically from the District via Automated Clearing House (ACH) payment.
- (g) **Payments withheld.** The District may withhold or, on account of subsequently discovered evidence, nullify, in whole or in part, any payment to such an extent as may be necessary to protect the District from loss as a result of: (1) defective Work not remedied; (2) failure of to make payments when due to subcontractors or suppliers for materials or labor; (3) failure to maintain adequate progress in the Work; (4) damage to another contractor; or (5) any other material breach of this Agreement. Amounts withheld shall not be considered due and shall not be paid until the ground(s) for withholding payment have been remedied.
- (h) **Payments.** The District shall pay Contractor 100% of each approved invoice.
7. **PAYMENT AND RELEASE.** Upon satisfactory completion of the Work, the District will provide Contractor a written statement accepting all deliverables. Contractor's acceptance of final payment shall constitute a release in full of all Contractor claims against the District arising from the performance of this Agreement, with the exception of any pending claims for additional compensation that have been documented and filed as required by this Agreement.
8. **INDEMNIFICATION.** Contractor shall indemnify and hold harmless, release, and forever discharge the District, its public officers, employees, agents, representatives, successors, and assigns, from any and all liabilities, damages, losses, and costs, including, but not limited to, reasonable attorney's fees,

arising from or caused by the Contractor, its employees or subcontractors, in the performance of the Work. Contractor shall further indemnify the District for all costs and penalties the District incurs related to any failure to offer Patient Protection and Affordable Care Act compliant health care coverage to Contractor-employees performing under this contract.

- 9. **INSURANCE.** Contractor shall acquire and maintain all insurance required by Attachment B, Insurance Requirements, and shall not commence Work until it has provided Certificates of Insurance to the District as per Attachment B. Receipt of Certificates of Insurance indicating less coverage than required does not constitute a waiver of the Insurance Requirements. Contractor waives its right of recovery against the District to the extent permitted by its insurance policies. Contractor’s insurance shall be considered primary, and District insurance shall be considered excess, as may be applicable to Contractor’s obligation to provide insurance.
  
- 10. **FUNDING CONTINGENCY.** This Agreement is at all times contingent upon funding availability, which may include a single source or multiple sources, including, but not limited to: (1) ad valorem tax revenues appropriated by the District's Governing Board; (2) annual appropriations by the Florida Legislature, or (3) appropriations from other agencies or funding sources. Agreements that extend for a period of more than one Fiscal Year are subject to annual appropriation of funds in the sole discretion and judgment of the District's Governing Board for each succeeding Fiscal Year. Should the Work not be funded, in whole or in part, in the current Fiscal Year or succeeding Fiscal Years, the District shall so notify Contractor and this Agreement shall be deemed terminated for convenience five days after receipt of such notice, or within such additional time as the District may allow. For the purpose of this Agreement, “Fiscal Year” is defined as the period beginning on October 1 and ending on September 30.

**11. PROJECT MANAGEMENT PERSONNEL**

- (a) The Project Managers listed below shall be responsible for overall coordination and management of the Work. Either party may change its Project Manager upon three business days’ prior written notice to the other party. Written notice of change of address shall be provided within five business days. All notices shall be in writing to the Project Managers at the addresses below and shall be sent by one of the following methods: (1) hand delivery; (2) U.S. certified mail; (3) national overnight courier; (4) email or, (5) fax. Notices via certified mail are deemed delivered upon receipt. Notices via overnight courier are deemed delivered one business day after having been deposited with the courier. Notices via email or fax are deemed delivered on the date transmitted and received.

<u>DISTRICT</u>	<u>CONTRACTOR</u>
Rayford McCain, Project Manager	TBD, Project Manager
St. Johns River Water Management District	TBD
19561 S.E. Highway 42	TBD
Umatilla, FL 32784-7814	TBD
Phone: 321-473-1332	Phone: TBD
Email: rmccain@sjrwmd.com	Email: TBD

- (b) The District’s Project Manager shall have sole responsibility for transmitting instructions, receiving information, and communicating District policies and decisions regarding all matters pertinent to performance of the Work.
  
- (c) Contractor shall provide efficient supervision of the Work, using its best skill and attention. Contractor shall keep, on the worksite during its progress, a competent superintendent that is satisfactory to the District. The superintendent shall not be changed except with the District’s consent, unless the superintendent proves to be unsatisfactory to Contractor and/or ceases to be in

its employ. The superintendent shall represent Contractor in the absence of Contractor's Project Manager. All directions given to him shall be as binding as if given to Contractor. If the District produces documented evidence and informs the Contractor that any person on the job is incompetent, disorderly, or is working contrary to the Agreement or the District's instructions, that person shall thereupon be immediately dismissed from the project and shall not be given employment on any work connected with this Agreement. The District may request Contractor replace its Project Manager if said manager fails to carry the Work forward in a competent manner, follow instructions or specifications, or for other reasonable cause.

- (d) Contractor shall maintain an adequate and competent professional staff. Contractor's employees, subcontractors, or agents shall be properly trained to meet or exceed any specified licensing, training and/or certification applicable to their profession. Upon request, Contractor shall furnish proof thereof.

## 12. SCHEDULING AND WORK PLANNING; PROGRESS REPORTING

- (a) **Pre-work Conference.** Within ten days after execution of this Agreement, Contractor shall schedule a pre-work conference with the District's Project Manager to discuss scheduling and other matters. Contractor shall provide a work plan for the District's approval not less than five days prior to the pre-work conference. The District shall have ten days to review the work plan. Not less than five days prior to the pre-work conference, Contractor shall provide the District a list of each subcontract exceeding ten percent of the Total Compensation. The list shall include: (1) name, address, contract, phone number and email address of subcontractor, (2) description of subcontract work, and (3) estimated value of work.
- (b) **Progress Reports.** Contractor shall provide to the District the project schedule and update/status reports as provided in the Statement of Work. Reports will provide detail on progress of the Work and outline any potential issues affecting completion or the overall schedule. Reports may be submitted in any form agreed to by District's Project Manager and Contractor, and may include emails, memos, and letters.
- (c) **Critical Path Management.** The District may require Contractor to provide a Critical Path Management (CPM) network for the Work, which shall be provided within 15 days of request or when the work plan is submitted, whichever occurs last. Contractor shall utilize commonly available software for the CPM, with a separate line for each major section of work or operation. The CPM shall show: (1) the first workday of each week; (2) the complete sequence of construction by activity, identifying the Work in separate stages and other logically grouped activities; (3) the early and late start and the early and late finish, and (4) the submittal dates required for shop drawings, product data, samples, and product delivery dates, including those furnished by the District. The District shall have ten days to review the work plan. If deemed necessary by the District, Contractor shall revise and resubmit the CPM. Contractor shall submit an updated CPM schedule with each invoice, identifying any changes since the previous submission and indicating the estimated percentage of completion for each item of the Work. The District owns all float.
- (d) **Daily Reporting.** The District may require Contractor to provide a daily report regarding the progress of the Work. The need for a daily report shall be determined at the pre-work conference. If required, a form shall be completed for each day any Work is performed until the project is accepted by the District. Completed forms shall be submitted to the District's Project Manager or other authorized representative by 9:00 a.m. of the following day.
- (e) **Progress Meetings.** The District may elect to conduct on-site progress meetings with Contractor on a frequency to be determined by the District. In such event, Contractor shall make available its

Project Manager and/or superintendent and other appropriate personnel to discuss matters pertinent to the Work.

- (f) **Failure to Meet Schedule.** If progress of the Work falls five percent or more behind schedule, except as a result of District-approved delays, Contractor shall take all necessary steps to augment the work effort to get the project back on schedule. Should the progress of the Work fall ten percent or more behind schedule, the District may advise Contractor through a “cure” notice that this Agreement is subject to termination for cause if the failure is not cured within the time frame specified in said notice.

### 13. FORCE MAJEURE; DELAYS

- (a) **Force Majeure.** Contractor shall not be liable for failure to carry out the terms of this Agreement to the extent such failure is due to a Force Majeure event, except for failures that could have been reasonably foreseen and guarded against so as to avoid or reduce the adverse impact thereof. A Force Majeure event is hereby defined as the failure to carry out any of the terms of this Agreement due to any one of the following circumstances beyond the control of Contractor: (a) the operation and effect of rules, regulations, or orders promulgated by any commission, county, municipality, or governmental agency of the State of Florida or the United States, (b) a restraining order, injunction, or similar decree of any court of competent jurisdiction, (c) war, (d) flood, (e) earthquake, (f) fire, (g) severe wind storm, (h) acts of public disturbance, (i) quarantine restrictions, (j) epidemics, (k) strikes, (l) freight embargoes, or (m) sabotage. The times specified herein for performances include delays that can ordinarily be anticipated due to adverse weather conditions. The District is not obligated to grant an extension of time due to adverse weather conditions unless such conditions rise to the level of Force Majeure.
- (b) **Delay.** Contractor shall not be compensated for delays caused by Contractor’s inefficiency, rework made necessary by Contractor’s error, failure to perform the Work as scheduled, or any other corrective or productivity measures made necessary by errors, omissions, or failures to properly perform the Work. Within ten days after the onset of a delay, Contractor shall notify the District in writing of the delay, which shall provide: (1) a detailed description the delay and its probable duration, (2) the specified portion of the Work affected, and (3) an opinion as to the cause of the delay and liability (if any) for the delay. Notices provided more than ten days after the inception of the delay shall only be effective as to additional costs or delay incurred during the ten day period preceding receipt of such notice. In the case of continuing cause delay for the same cause, only one notice of delay is necessary. **Failure to provide this notice waives any claim for extension of time or additional compensation resulting from such delay.** If the delay is due to the failure of another District contractor to complete its work in a timely manner, changes ordered in the Work, a Force Majeure event, or any other cause which the District, in its sole judgment and discretion, determines to justify the delay, then the Completion Date may be extended as necessary to compensate for the delay. All time extensions shall be in the form of a written amendment signed by both parties.

### 14. AMENDMENTS; EMERGENCY CHANGES IN WORK

- (a) **Amendments.** The parties may not amend this Agreement except in writing. Modifications that alter, add to, or deduct from the Work, or otherwise modify the terms of this Agreement, shall be implemented through a change order or formal amendment, specifying the nature of the change and any associated change in the Total Compensation and/or Completion Date. The District’s Project Manager may also issue a District Supplemental Instruction (DSI) form (Attachment C) to authorize minor adjustments to the Work that are consistent with the purpose of the Work. Both parties must sign the DSI. A DSI may not be used to change the Total Compensation, quantity, quality or the Completion Date of the Work, or to change or modify the Agreement.

- (b) **Emergency Changes in Work.** In the event an emergency endangering life or property requires immediate action, the District may give Contractor an oral instruction to proceed with an emergency change in the Work, which will be confirmed in writing within five days. Within 15 days after commencement of the emergency change in the Work, Contractor shall provide the District with a written estimate of any increased costs or delays as a result thereof. **Failure to so notify the District constitutes a waiver of any right to an extension of time or increase in compensation.** Within 15 days after receipt of Contractor's estimate, the parties shall negotiate a Change Order. If unable to reach agreement, disputed issues shall be resolved pursuant to the dispute resolution procedure. In no event shall Contractor decline to perform the emergency change in the Work.

## 15. TERMINATION AND SUSPENSION

- (a) **District Termination for Cause.** The Agreement may be terminated by the District for cause in the event of any breach hereof, including, but not limited to, Contractor's: (1) failing to carry forward and complete the Work as provided herein; (2) failing to comply with applicable laws, regulations, permits, or ordinances; (3) failing to timely correct defective Work; (4) making a general assignment for the benefit of its creditors; (5) having a receiver appointed because of insolvency; (6) filing bankruptcy or having a petition for involuntary bankruptcy filed against it; (7) failing to make payments when due to subcontractors, vendors, or others for materials or labor used in the Work; (8) making a material misrepresentation to the District regarding the Work, or (9) any other material breach of this Agreement. In such event, the District shall provide Contractor with written notice of its intention to terminate this Agreement, stating the nature of the deficiency and the effective date of termination. At the District's sole judgment and discretion, the District may afford Contractor an opportunity to cure said deficiency, in which event the notice shall specify the time allowed. Upon termination, the District may take possession of the premises and of all materials thereon and finish the Work by whatever means it deems expedient. In such event, Contractor shall not receive any further payment until the Work is completed by the District. Contractor shall be liable for all costs involved in completing the Work, including additional managerial and administrative services, which shall be offset against any amount due to Contractor.
- (b) **District Termination for Convenience.** Notwithstanding any other provision hereof, the District may at any time terminate this Agreement or any Work issued under it, in whole or in part, without cause, upon 30 days' written notice to Contractor. In such event, Contractor shall be compensated for any Work performed prior to the date of termination and for materials that were ordered prior to receipt of notice of termination that cannot be returned to the vendor, which shall become District property. Upon receipt of notice, Contractor shall discontinue the Work on the date and to the extent specified therein and shall place no further orders for materials, equipment, services, or facilities, except as needed to continue any portion of the Work not terminated. Contractor shall also make every reasonable effort to cancel, upon terms satisfactory to the District, all orders or subcontracts related to the terminated Work. Contractor may not claim any compensation not specifically provided for herein, including, but not limited to: loss of anticipated profits; idle equipment, labor, and facilities; any additional claims of subcontractors and vendors.
- (c) **District Suspension for Cause.** The District may issue a written partial or full Stop Work Notice in the event Contractor fails to comply with or is negligent in performing any provision hereof. All performance shall immediately cease as per such notice and no further billable costs shall be incurred. The District may terminate this Agreement if Contractor fails or refuses to comply with a Stop Work Notice.

(d) **District Suspension for Convenience.** The District may direct Contractor to stop Work, in whole or in part, whenever, in the District's sole judgment and discretion, such stoppage is necessary to ensure proper completion of the Work, avoid injury to third persons, or otherwise meet the District's objectives. The District shall provide Contractor not less than five days' written notice, except in emergency circumstances. Contractor shall immediately comply with such notice. Should such stoppage increase Contractor's cost, an equitable adjustment will be made by Change Order. The notice shall be effective until rescinded in writing, unless the period of suspension is stated in the notice.

(e) **Contractor's Right to Stop Work or Terminate Agreement**

- (i) **Stop Work.** Contractor may stop work only under the following circumstances: (1) the Work is ordered temporarily discontinued by a court or other public authority; (2) it is necessary to stop work in order to protect the safety of Contractor or third persons; or (3) the District fails to pay Contractor when due any undisputed and adequately documented sum certified for payment by the District Project Manager. In such event, Contractor shall provide the District not less than seven days prior written notice of its intention to stop work, except in emergency circumstances or when necessary to prevent injury to persons or property.
- (ii) **Termination.** Contractor may terminate this Agreement under only the following circumstances: (1) the Work is ordered discontinued by a court or other public authority, through no act or fault of Contractor, for a period of not less than three months; (2) the District fails to pay Contractor when due any undisputed and adequately documented sum certified for payment by the District Project Manager. In such event, Contractor shall provide not less than 20 days written notice of its intention to terminate and afford the District the opportunity to cure said deficiency within said time period.
- (iii) **Duty to Perform.** Except as expressly provided above, in the event of any event, dispute, or other matter arising under this Agreement, Contractor shall fully perform the Work in accordance with the District's written instructions and may claim additional compensation as a Change Order, subject to the dispute resolution procedure.

**ADDITIONAL PROVISIONS  
(In Alphabetical Order)**

**16. DEFINITIONS**

**ADDENDA:** Written or graphic instruments issued prior to the opening of responses, which make additions, deletions, or revisions to the solicitation or contract documents.

**AGREEMENT:** The written contract between the District and Contractor covering the Work, which includes all documents attached to this Agreement or incorporated herein by reference. The words "contract" and "Agreement" are synonymous in these documents.

**AMENDMENT:** Any written change made to the terms and conditions of the Agreement.

**BID:** The written offer of Respondent (when submitted on the reproduced approved forms) to perform the Work and furnish the necessary materials in accordance with the provisions of this Agreement.

**BUSINESS DAY:** Monday through Friday, excepting those holidays observed by the District.

**CHANGE ORDER:** A written agreement of the parties after the Commencement Date to amend this Agreement so as to modify the Statement of Work or the Total Compensation or provide for an extension of time.

**CONTRACTOR:** Contractor, its officers, employees, agents, successors, and assigns.

**CONTRACTOR'S PROJECT MANAGER:** The individual designated by the Contractor to be responsible for overall coordination, oversight, and management of the Work for Contractor.

**CONTRACTOR'S SUPERINTENDENT:** Contractor's representative who is present during the progress of the Work and authorized to receive and fulfill instructions from the Contractor's Project Manager or the District.

**CPM or CRITICAL PATH METHOD:** The use of a calculated task duration with no regard for probabilities. A path has no float and is the longest path through the project. A critical path encompasses those project activities that are crucial and cannot be shifted, having a calculated task duration. They are the important activities driving the project. Float belongs to the District.

**DELIVERABLES:** All Work that is to be performed pursuant to the Statement of Work, in whole or in part, including, but not limited to, all equipment or materials that are incorporated within the Work.

**DISTRICT'S PROJECT MANAGER:** The District employee designated by the District to be responsible for overall coordination, oversight, and management of the Work for the District.

**FINAL RELEASE OF LIENS:** The instrument that is to be signed by Contractor and submitted to the District upon completion of the Work showing that all bills from subcontractors have been paid.

**HOLIDAY:** The following holidays as observed by the District: New Year's Day, Birthday of Martin Luther King, Jr., Memorial Day, Independence Day, Labor Day, Veterans' Day, Thanksgiving and the Friday after Thanksgiving, and Christmas Day

**INVITATION FOR BIDS:** An advertised solicitation for sealed competitive Bids, with the title, date, and hour of the public opening designated. It includes a detailed description of the goods and/or services sought, the date for submittal of Bids, and all contractual terms and conditions.

**INSPECTOR:** The District's Project Manager or an authorized representative of the District who is assigned to inspect the Work.

**PERSON:** Any individual, partnership, society, association, joint stock company, corporation, estate, receiver, trustee, assignee, referee, or capacity, whether appointed by a court or others, and any combination of individuals.

**STATEMENT OF WORK:** The District's written directions, requirements and technical specifications for completing the Work. Standards for specifying materials or testing that are incorporated therein by reference shall have the same force and effect as if fully set forth therein.

**SUBCONTRACTORS:** Those persons having a direct contract with Contractor relating to performance of the Work, including one who furnishes material worked into a special design in accordance with the plans or specifications of the Work, but not including one who merely furnishes material.

**TOTAL BID:** The total cost to be paid to Contractor for completion of the Work.

**TOTAL COMPENSATION:** The total funds to be expended pursuant to this Agreement upon satisfactory completion of the Work.

**WORK:** All labor, materials, equipment, transportation, supporting documentation, and other products, services, or facilities necessary for complete performance of the Agreement.

## 17. ACCESS; WORK AREA; GATES

- (a) **Access.** The District will provide sufficient access to accomplish Work performed on District property. Contractor shall maintain all on-site roadways and paved and unpaved access roadways to and from the worksite in an acceptable and passable condition at no additional cost to the

District, which shall, upon conclusion of the Work, be returned to their original condition. Land access to construction sites is restricted to the route designated by the District. Contractor is responsible for improvements and repairs to access routes required during construction. All access routes shall be used for the purpose of construction only. Contractor shall not disturb lands or waters outside the area of construction, except as may be found necessary and authorized by the District.

- (b) **Work Area.** All Work shall be confined to the designated work area(s). Contractor shall obtain written approval from the District before making any adjustments.
- (c) **Gates.** Contractor shall keep all gates to District lands or easements closed and locked in accordance with District specifications when not in use, and shall immediately notify the District when a gate has become impaired due to vandalism or other cause. Unless otherwise stated in the specifications, Contractor shall be responsible for providing lock(s) to District properties.

## 18. ASSIGNMENT AND SUBCONTRACTS

- (a) Contractor shall not sublet, assign, or transfer any Work without the District's prior written consent. As soon as practicable after signing this Agreement, but not less than seven business days prior to the effective date of any subcontracts, Contractor shall notify the District's Project Manager in writing of the name of any subcontractor that has not been previously disclosed in the procurement process. Within five business days the District shall indicate its approval or disapproval, which shall not be unreasonably withheld. Failure to timely provide such approval or disapproval shall constitute approval. Neither District approval of a subcontractor nor any other provision of this Agreement creates a contractual relationship between any subcontractor and the District.
- (b) Contractor is responsible for fulfilling all work elements in any subcontracts and payment of all monies due. Contractor is fully responsible to the District for the acts and omissions of its subcontractors and persons directly or indirectly employed by them, and shall hold the District harmless from any liability or damages resulting from any subcontract to the extent allowed by law.

19. **AUDIT; ACCESS TO RECORDS.** Contractor must preserve its books and other records involving transactions related to this Agreement and provide the District, or its duly authorized representatives, access and necessary facilities to inspect and audit those records for five years after the receipt of funds. If an examination or audit is performed, Contractor must continue to maintain all required records until such audit has been completed and all questions arising from it are resolved. Contractor shall refund any payment(s) that are found to not constitute allowable costs based upon an audit examination.

20. **CIVIL RIGHTS.** Pursuant to chapter 760, Fla. Stat., Contractor shall not discriminate against any employee or applicant for employment because of race, color, religion, sex, pregnancy, or national origin, age, handicap, or marital status.

21. **CLEANUP; EQUIPMENT REMOVAL.** Upon expiration or termination of this Agreement, Contractor shall restore the worksite to its original condition, except for replacement of vegetation, unless otherwise required by this Agreement. Contractor shall remove from District property and all public and private property all machinery, equipment, supplies, surplus materials, temporary structures, rubbish, and waste materials resulting from its activities. After 20 days, the District may sell or dispose of any materials left at the worksite as it sees fit and deduct the cost of sale or disposal from any amounts due to Contractor. Any revenues obtained shall be applied toward costs incurred by the District, with excess revenues paid to Contractor.



**22. COOPERATION WITH THE INSPECTOR GENERAL, PURSUANT TO §20.055(5) FLA.**

**STAT.** Contractor and any subcontractors understand and will comply with their duty, pursuant to §20.055(5), Fla. Stat., to cooperate with the inspector general in any investigation, audit, inspection, review, or hearing.

**23. COORDINATION WITH THE DISTRICT AND OTHER DISTRICT CONTRACTORS**

- (a) The District may let other contracts in connection with the Work. Wherever work done by the District or another District contractor is contiguous to Contractor's Work, the respective rights of the various interests shall be established by the District so as to secure completion of the Work. Contractor shall arrange its Work so as not to interfere with the District or other District contractors and join its Work to that of others in a proper manner, and in accordance with the intent of the Statement of Work. Contractor shall perform its Work in the proper sequence in relation to that of other District contractors, as may be directed by the District. Contractor shall afford other District contractors reasonable opportunity for introduction and storage of their materials and execution of their work, and shall properly conduct and coordinate its Work with theirs. Contractor shall take into account all contingent work to be done by others and shall not plead its want of knowledge of such contingent work as a basis for delay or non-performance. Contractor shall be liable for any damage it causes to the work performed by other District contractors.
- (b) If any part of the Work depends for proper execution or results upon the work of other District contractors, Contractor shall inspect and promptly report any defects in the other contractors' work that render it unsuitable for Contractor's Work. Failure to so inspect and report shall constitute an acceptance of the other contractors' work as fit and proper for the reception of its Work, except as to defects which may develop in the other contractors' work after execution of the Work.

**24. CORRELATION AND INTENT OF DOCUMENTS; QUESTIONS OR ISSUES REGARDING PERFORMANCE OF THE WORK**

- (a) This Agreement and all attachments are complementary. What is called for by one is as binding as if called for by all. The intent is to include all labor and materials, equipment, transportation, and incidentals necessary for the proper and complete execution of the Work. Materials or work described in words, which so applied have a well-known technical or trade meaning, shall be held to refer to such recognized standards.
- (b) It is the District's intention to fully assist Contractor in the successful performance of the Work and to respond in a timely manner to questions or issues that arise. Contractor should discuss any questions or issues with the District's Project Manager and communicate such questions or issues in writing when required by this Agreement. The District shall respond through its Project Manager.

**25. DISPUTE RESOLUTION**

- (a) **During the course of work.** In the event any dispute arises during the course of the Work, Contractor shall fully perform the Work in accordance with the District's written instructions and may claim additional compensation. Contractor is under a duty to seek clarification and resolution of any issue, discrepancy, or dispute by submitting a formal request for additional compensation, schedule adjustment, or other dispute resolution to the District's Project Manager no later than 15 days after the precipitating event. If not resolved by the Project Manager within five business days, the Project Manager shall forward the request to the District's Office of General Counsel, which shall issue a written decision within 15 days of receipt. This determination shall constitute final action of the District and shall then be subject to judicial review upon completion of the

**Work. Contractor shall proceed with the Work in accordance with said determination. This shall not waive Contractor's position regarding the matter in dispute.**

- (b) **Invoices.** In the event the District rejects an invoice as improper, and the Contractor declines to modify the invoice, the Contractor must notify the District in writing within ten days of receipt of notice of rejection that the Contractor will not modify the invoice and state the reason(s) therefor. Within five business days of receipt of such notice, if not informally resolved through discussion with the District Project Manager, the Project Manager shall forward the disputed invoice and the Contractor's written response to the District's Office of General Counsel. The matter shall then proceed as described in subsection (a), above.

26. **DIVERSITY OPPORTUNITIES.** The District is committed to the opportunity for diversity in its procurement activities, and encourages its vendors (contractors and suppliers) to make a good faith effort to ensure that women and minority-owned business enterprises (W/MBE) are given the opportunity for maximum participation as sub-contractors. The District will assist Contractor by sharing information on W/MBEs.

27. **DUTY TO INSPECT AND REPORT DEFICIENCIES IN PLANS AND SPECIFICATIONS**

- (a) For any Work that is dependent upon conditions at the worksite, Contractor's acceptance of contract award represents and warrants that Contractor has inspected and satisfied itself concerning the nature and location of the Work and general and local conditions, including, without limitation: (1) conditions affecting transportation, disposal, handling, and storage of materials; (2) availability and quality of labor; (3) availability and condition of roads; (4) climatic conditions and seasons; (5) hydrology of the terrain; (6) topography and ground surface conditions; (7) nature and quantity of surface materials to be encountered; (8) equipment and facilities needed preliminary to and during the Work; and (9) all other matters that can affect the Work and the cost thereof. Contractor's failure to acquaint itself with such conditions will not relieve it from its responsibility for properly estimating the time required or cost of performing the Work. Where the District has investigated subsurface conditions, this data may be provided to Contractor or is available upon request. Contractor must either seek clarification concerning the data or assume the responsibility for its interpretation.
- (b) If Contractor discovers hidden or subsurface conditions that differ materially from those normally expected or indicated in the technical specifications, Contractor shall immediately, and before such conditions are disturbed, notify the District in writing of: (1) subsurface or latent physical conditions differing materially from those indicated in the technical specifications, or (2) unknown physical conditions of an unusual nature differing materially from those ordinarily encountered and generally recognized as inherent in work of the character provided for herein. The District shall promptly investigate the conditions and determine whether they materially differ so as to cause an increase or decrease in Contractor's cost. Where the differing site conditions materially impact Contractor's cost, an equitable adjustment shall be made and the Agreement modified accordingly. No claim will be allowed if Contractor fails to provide the required notice.
- (c) If Contractor in the course of the Work finds any defect in the plans and specifications, including, but not limited to, any discrepancy between the drawings and the physical conditions at the worksite, or any errors or omissions in the drawings or in the layout, as given by points and instructions, it shall immediately inform the District in writing, which shall be promptly verified by the District. Any Work done after such discovery, until authorized, will be done at Contractor's risk as to cost overruns and modifications necessary to correct deficiencies in the Work. To ensure the proper execution of its subsequent Work, Contractor shall measure Work

already in place or completed and shall immediately report any discrepancy between the executed Work and the drawings or other specifications.

**28. EMPLOYMENT ELIGIBILITY.**

- (a) Pursuant to section 448.095, Fla. Stat., Contractor must use the United States Department of Homeland Security's E-Verify system ("E-Verify") to verify the work authorization status of all newly hired employees during the term of this Agreement. Within 30 days of this Agreement's Effective Date, Contractor must provide the District with evidence that Contractor is enrolled in the E-Verify system. Answers to questions regarding E-Verify as well as instructions on enrollment may be found at the E-Verify website: [www.e-verify.gov](http://www.e-verify.gov).
- (b) Contractor shall include in related subcontracts, if authorized under this Agreement, a requirement that subcontractors performing work or providing services pursuant to this Agreement utilize the E-Verify system to verify employment eligibility of all employees used by the subcontractor for the performance of the Work. The subcontractor must provide Contractor with an affidavit stating that the subcontractor does not employ, contract with, or subcontract with an unauthorized alien. Contractor must maintain a copy of such affidavit for the duration of the Agreement. If the District has a good faith belief that a subcontractor knowingly violated section 448.095, Fla. Stat., and notifies Contractor of such, but the Contractor otherwise complied with the statute, then Contractor shall immediately terminate the contract with the Subcontractor.

**29. GOVERNING LAW, VENUE, ATTORNEY'S FEES, WAIVER OF RIGHT TO JURY TRIAL.**

This Agreement shall be construed according to the laws of Florida and shall not be construed more strictly against one party than against the other because it may have been drafted by one of the parties. As used herein, "shall" is always mandatory. In the event of any legal proceedings arising from or related to this Agreement: (1) venue for any state legal proceedings shall be Putnam County and federal legal proceedings shall be in Orange County; (2) each party shall bear its own attorney's fees, including appeals; (3) for civil proceedings, the parties hereby consent to trial by the court and waive the right to jury trial.

**30. INTEREST IN THE BUSINESS OF CONTRACTOR; NON-LOBBYING.**

Contractor certifies that no officer, agent, or employee of the District has any material interest, as defined in chapter 112, Fla. Stat., either directly or indirectly, in the business of Contractor to be conducted under this Agreement, and that no such person shall have any such interest at any time during the term of this Agreement. Pursuant to §216.347, Fla. Stat., monies received from the District pursuant to this Agreement shall not be used to lobby the Florida Legislature or any other state agency.

**31. INDEPENDENT CONTRACTOR.**

Contractor is an independent contractor. Neither Contractor nor Contractor's employees are employees or agents of the District. Contractor controls and directs the means and methods by which the Work is accomplished. Contractor is solely responsible for compliance with all labor and tax laws pertaining to it, its officers, agents, and employees, and shall indemnify and hold the District harmless from any failure to comply with such laws. Contractor's duties include, but not be limited to: (1) providing Workers' Compensation coverage for employees as required by law; (2) hiring employees or subcontractors necessary to perform the Work; (3) providing any and all employment benefits, including, but not limited to, annual leave, sick leave, paid holidays, health insurance, retirement benefits, and disability insurance; (4) payment of all federal, state and local taxes, income or employment taxes, and, if Contractor is not a corporation, self-employment (Social Security) taxes; (5) compliance with the Fair Labor Standards Act, 29 U.S.C. §§ 201, et seq., including payment of overtime as required by said Act; (6) compliance with the Patient Protection and Affordable Care Act 42 U.S.C. §§ 18001, et seq.; and (7) providing employee training, office or other facilities, equipment and materials for all functions necessary to

perform the Work. In the event the District provides training, equipment, materials, or facilities to meet specific District needs or otherwise facilitate performance of the Work, this shall not affect Contractor's duties hereunder or alter Contractor's status as an independent contractor. This paragraph does not create an affirmative obligation to provide any employee benefits not required by law.

32. **LAND AND WATER RESOURCES.** Contractor shall not discharge or permit the discharge, directly or indirectly, of any fuels, oils, calcium chloride, acids, insecticides, herbicides, wastes, toxic or hazardous substances, or other pollutants or harmful materials, onto any lands or into any surface or ground waters, including, but not limited to, streams, lakes, rivers, canals, ditches, or reservoirs. Contractor shall investigate and comply with all applicable federal, state, county, and municipal laws concerning toxic wastes, hazardous substances, and pollution of surface and ground waters. If any waste, toxic or hazardous substance, or other material that can cause pollution, as defined in §403.031, Fla. Stat., is dumped or spilled in unauthorized areas, Contractor shall notify the District thereof within one workday and thereafter shall remove the material and restore the area to its original condition. If necessary, contaminated ground shall be excavated and disposed of as directed by the District and replaced with suitable fill material, compacted and finished with topsoil, and planted as required to re-establish vegetation. All cleanup and disposal costs shall be borne by Contractor.
33. **LIENS.** Retainage shall not become due until Contractor delivers to the District releases of all labor and material cost liens arising from Contractor's performance of the Work, including Contractor and any subcontractor(s), and an affidavit by Contractor stating that the releases and receipts include all labor and material costs for which a lien could be filed. If any subcontractor refuses to furnish Contractor a release or a receipt in full, Contractor may furnish to the District a bond satisfactory to the District, indemnifying the District against any such potential lien. If any lien or potential lien remains unsatisfied, the District may discharge the same forthwith and deduct the cost thereof from any amounts due to Contractor. In the event Contractor has been fully paid or the amount of such lien exceeds the amount due to Contractor, Contractor shall refund to the District all monies that the District paid in discharging such lien, including all costs and a reasonable attorney's fee. The discharging of such a lien by the District shall not constitute a waiver of any claims of defenses that Contractor may have against the lienor.
34. **NUISANCE.** Contractor shall exercise every reasonable means to avoid creating or continuing a public or private nuisance resulting from the Work, including, but not limited to: (1) excessive noise associated with radio or other forms of electronic entertainment for persons at the worksite; (2) dust from construction operations, and (3) the uncontrolled flow of surface waters.
35. **PERMITS AND LICENSES; COMPLIANCE WITH LAW.** Contractor shall comply with all applicable federal, state and local laws and regulations, including those pertaining to health and safety. Contractor shall include this requirement in all subcontracts. All materials used and work performed must conform to the laws of the United States, the State of Florida and county and municipal ordinances. Contractor represents and warrants that it is duly licensed to perform the Work in accordance with the laws of the State of Florida and the county or municipality in which the Work is to be performed. For out-of-state contractors, Contractor warrants that it is authorized to do business within the state of Florida and registered with the Secretary of State. Unless otherwise provided in the Statement of Work, the responsibility of the parties for obtaining permits is apportioned as follows:
- (a) The District shall procure all permits required from the Florida Department of Environmental Protection, the U.S. Environmental Protection Agency, and the U.S. Army Corps of Engineers.
  - (b) Contractor shall procure any permits required by the county or municipality wherein the Work is located.

- (c) Contractor shall:
- (i) give to the proper authorities all required notices relative to the Work;
  - (ii) obtain and pay for all official permits and any professional or other licenses, code stamps, and inspections that are Contractor's responsibility;
  - (iii) furnish any bonds, security, or deposits required to permit performance of the Work;
  - (iv) until the Work is accepted as substantially complete, comply with all conditions of governmental permits; and
  - (v) resolve any issues resulting from a finding of noncompliance by any governmental agencies, including all costs for delays, litigation, fines, or other costs.

36. **PETROLEUM STORAGE TANKS.** Any petroleum storage tanks with a capacity of 55 gallons or greater that Contractor brings onto District property must be either double-walled or kept within secondary containment that will contain 110% of the tank volume.

37. **PROTECTION OF THE WORK, DISTRICT EQUIPMENT, AND PROPERTY.** Contractor is responsible for the proper care of the Work and protecting the Work from damage until final acceptance by the District, whether or not the same has been covered by partial payments. Contractor is solely responsible for all District-owned equipment in its possession, if any. Contractor shall adequately protect and maintain all passageways, guard fences, lights, and other facilities as required by public authority or local conditions. Contractor is responsible for locating and protecting all utilities. Contractor shall conduct the Work so as to minimize damage to existing improvements, and shall restore, as nearly as practical, to its original condition, any such improvements damaged by its operations. In the event of temporary suspension of the Work, or during inclement weather, or whenever the District shall direct, Contractor shall carefully protect the Work from damage. If any Work is damaged due to Contractor's failure to so protect the Work, the loss shall be remedied at Contractor's expense. Contractor shall protect public and privately-owned property, structures, utilities, and work of any kind against damage or interruptions of service resulting from its activities. Contractor shall repair, replace, or restore any damage or loss to any public or private property to the District's satisfaction. Should Contractor fail to perform these obligations, the District may make good any such damage and deduct the cost thereof from Contractor's final payment.

38. **PUBLIC RECORDS**

- (a) Contractor is responsible for identifying confidential trade secret information as such upon submittal to the District. Notwithstanding any other provision hereof, the District shall not be liable to Contractor for release of confidential information not identified as such upon submittal. If the District receives a public records request that requests information claimed to be confidential by Contractor, the District shall take such steps as are necessary to comply with chapter 119, Fla. Stat., while protecting the confidentiality of trade secret information. In the event of a dispute as to whether the requested information is a trade secret, Contractor shall be liable for all costs incurred by the District resulting from the dispute, including any court costs and attorney's fees. The calculation of those costs shall not include costs that are charged to the public records requestor.
- (b) Contractor shall comply with Florida Public Records law under Chapter 119, Fla. Stat. Records made or received in conjunction with this Agreement are public records under Florida law, as defined in §119.011(12), Fla. Stat. Contractor shall keep and maintain public records required by the District to perform the services under this Agreement.

- (c) If Contractor meets the definition of “Contractor” found in §119.0701(1)(a), Fla. Stat.; [i.e., an individual, partnership, corporation, or business entity that enters into a contract for services with a public agency and is acting on behalf of the public agency], then the following requirements apply:
- (i) Pursuant to §119.0701, Fla. Stat., a request to inspect or copy public records relating to this Agreement for services must be made directly to the District. If the District does not possess the requested records, the District shall immediately notify the Contractor of the request, and the Contractor must provide the records to the District or allow the records to be inspected or copied within a reasonable time. If Contractor fails to provide the public records to the District within a reasonable time, the Contractor may be subject to penalties under s. 119.10, Fla. Stat.
  - (ii) Upon request from the District’s custodian of public records, Contractor shall provide the District with a copy of the requested records or allow the records to be inspected or copied within a reasonable time at a cost that does not exceed the cost provided in Chapter 119, Fla. Stat., or as otherwise provided by law.
  - (iii) Contractor shall identify and ensure that all public records that are exempt or confidential and exempt from public records disclosure requirements are not disclosed except as authorized by law for the duration of the Agreement term and following completion of the Agreement if the Contractor does not transfer the records to the District.
  - (iv) Upon completion of the Agreement, Contractor shall transfer, at no cost to District, all public records in possession of Contractor or keep and maintain public records required by the District to perform the services under this Agreement. If the Contractor transfers all public records to the District upon completion of the Agreement, the Contractor shall destroy any duplicate public records that are exempt or confidential and exempt from public disclosure requirements. If the Contractor keeps and maintains public records upon completion of the Agreement, the Contractor shall meet all applicable requirements for retaining public records. All records that are stored electronically must be provided to the District, upon request from the District’s custodian of public records, in a format that is accessible by and compatible with the information technology systems of the District.

**(d) IF THE CONTRACTOR HAS QUESTIONS REGARDING THE APPLICATION OF CHAPTER 119, FLA. STAT., TO THE CONTRACTOR’S DUTY TO PROVIDE PUBLIC RECORDS RELATING TO THIS CONTRACT, CONTACT THE DISTRICT’S CUSTODIAN OF PUBLIC RECORDS AT:**

**District Clerk  
 St. Johns River Water Management District  
 4049 Reid Street  
 Palatka, Florida 32177-2571  
 (386) 329-4127  
[clerk@sjrwmd.com](mailto:clerk@sjrwmd.com)**

39. **RELEASE OF INFORMATION.** Contractor shall not publish or release any information related to performance of this Agreement, or prepare, publish, or release any news or press release in any way related to this Agreement, without prior District review and written consent.

40. **REMEDIES FOR NON-PERFORMANCE.** In the event of incomplete or damaged Work caused by Contractor's failure of performance, the District may terminate this Agreement for cause. Alternatively, the District, in its sole discretion and judgment, may allow Contractor to correct the deficiency at its expense. If the District determines that it is not in its best interest for Contractor to correct the deficiency, the District may pursue any or all of the following remedies, in whole or in part: (1) accept the Work as is and deduct the reasonable value of the deficient Work from the Total Compensation; (2) complete the Work through the utilization of District employees and deduct the cost thereof from the Total Compensation; (3) contract with a third party to complete the deficient Work and deduct the cost thereof from the Total Compensation. In addition to the remedies set forth above, the District may avail itself of any statutory and/or common law remedies. Delay or failure by the District to enforce any right or remedy hereunder shall not impair, or be deemed a waiver of, any such right or remedy, or impair the District's rights or remedies for any subsequent breach of this Agreement.
41. **SAFETY.** For any Work that is to be performed on premises that are owned or controlled by the District (the Premises), Contractor has the sole and exclusive duty for the safety of the premises. Contractor shall provide and maintain sufficient protection for the safety of its employees and other persons who may utilize the Premises, and prevent damage to District property, materials, and equipment. Contractor shall at all times enforce strict discipline and good order among its employees and shall not employ any unfit person or anyone not skilled in the work assigned. Neither Contractor nor its subcontractors shall allow or cause to be allowed any hunting or any weapons, animals, alcohol, or drugs, on or from the Premises or adjacent property. Contractor employees shall not park their vehicles or store equipment or materials adjacent to roads where it may be a hazard to traffic. A clear distance of at least 30 feet from the edge of the pavement or right-of-way shall be kept free of any obstacles unless otherwise authorized by the District. Contractor shall ensure that only authorized personnel are allowed on the worksite and shall post notices warning both employees and the public of all safety hazards created by Contractor.
42. **SCRUTINIZED COMPANIES.** Contractor certifies that it is not on the Scrutinized Companies that Boycott Israel List or engaged in a boycott of Israel. Pursuant to §287.135, Fla. Stat., the District may terminate this Agreement at its sole option if the Contractor is found to have submitted a false certification; or if the Contractor is placed on the Scrutinized Companies that Boycott Israel List or is engaged in the boycott of Israel during the term of the Agreement.
- 43.
44. **SURVEYS; PRESERVATION OF MONUMENTS; POINTS AND INSTRUCTION**
- (a) **Surveys.** When necessary to performance of the Work, unless otherwise provided in the Statement of Work, the District will furnish horizontal and vertical control necessary to lay out the Work, including horizontal reference point(s) and a vertical control benchmark within 200 feet of the site. The District will set the horizontal reference point(s) and vertical control only at the beginning of the job. Contractor is responsible for interim staking during the job and all staking and layout work not otherwise furnished by the District. Contractor shall furnish all construction layout of the Work, including layout, centerline, and grade stakes for access roadways. Contractor shall furnish all personnel, equipment, and materials to make such surveys as are necessary to determine the quantity of Work performed. Field notes and computations for estimates shall be verified by the District's Project Manager as to the quantities estimated.
- (b) **Preservation of Monuments.** Contractor shall maintain and preserve all new and existing benchmarks, monuments, markers, reference points, and stakes established by others and/or the District. Should any of the aforesaid be destroyed or damaged by Contractor, the same shall be

replaced by Contractor's licensed land surveyor at no cost to the District. Contractor shall be responsible for the cost of any deficiencies in the Work caused by such loss or disturbance.

- (c) **Points and Instructions.** Contractor shall provide reasonable and necessary opportunities and facilities for setting points and making measurements. Contractor shall not proceed until it has made a timely request to the District for, and has received, such points and instructions as may be necessary as the Work progresses. The Work shall be done in strict conformity with such points and instructions.

45. **USE OF COMPLETED PORTIONS OF THE WORK.** The District shall have the right to take possession of and use any completed or partially completed portions of the Work, notwithstanding the fact that the time for completing the entire Work or such portions may not have expired. Such taking of possession and use will not be deemed an acceptance of any Work not completed. If such possession and use increases the cost of or delays the Work, Contractor shall be entitled to a Change Order for extra compensation, or extension of time, as necessary, to offset the effect of such prior possession and use.

46. **WARRANTY**

- (a) Contractor warrants that the Work, workmanship and material furnished by Contractor shall be new and of specified quality, shall conform to the requirements of this Agreement, shall be free from defects, and shall be free from any security interest, lien, or other encumbrances. This warranty shall remain in effect for a period of 12 months after completion of the Work, unless otherwise specified herein. Any defective Work, workmanship, or material corrected during the warranty period shall be similarly warranted for 12 months following its correction or for such other period as specified herein. The express warranty set forth herein shall not be exclusive and shall not act as a limitation upon any statutory or other warranty of any kind, express or implied, including any implied warranty of merchantability or fitness for a particular purpose.
- (b) In the event of breach of this warranty, Contractor shall take the necessary actions to correct the breach in the most expedient manner as dictated by then-existing circumstances. All costs incidental to the repair, replacement, redesign, and testing incurred as a result thereof, including the removal, replacement, and reinstallation of equipment in place when the Work was started, shall be Contractor's responsibility. Upon written notification of a breach, Contractor shall promptly send the necessary personnel to the project site to assume responsibility for corrective action. Time is of the essence. Contractor shall be afforded necessary and reasonable access to perform warranty work. If Contractor fails to promptly correct the breach, the District may take corrective action without waiving any other rights or remedies it may have, and Contractor shall reimburse the District for all expenses reasonably incurred in performing such corrective action.

47. **WORK SCHEDULE.** For construction or other services upon District property, no Work shall be accomplished on Holidays or weekends unless approved in advance by the District Project Manager. Unless otherwise approved by the District Project Manager, Contractor's work hours on District property shall not commence before 7:00 a.m. and shall conclude on or before 6:00 p.m. All requests to change the schedule shall be coordinated with the District a minimum of 24 hours in advance of the change and confirmed in writing.



**IN WITNESS WHEREOF**, the St. Johns River Water Management District has caused this Agreement to be executed on the day and year written below in its name by its Executive Director, or duly authorized designee, and Contractor has caused this Agreement to be executed on the day and year written below in its name by its duly authorized representatives, and, if appropriate, has caused the seal of the corporation to be attached. This Agreement may be executed in separate counterparts, which shall not affect its validity. Upon execution, this Agreement constitutes the entire agreement of the parties, notwithstanding any stipulations, representations, agreements, or promises, oral or otherwise, not printed or inserted herein. This Agreement cannot be changed by any means other than written amendments referencing this Agreement and signed by all parties.

ST. JOHNS RIVER WATER  
MANAGEMENT DISTRICT

CONTRACTOR

By: \_\_\_\_\_  
Mary Ellen Winkler, Assistant Executive Director, or designee

By: \_\_\_\_\_  
\_\_\_\_\_  
Typed Name and Title

Date: \_\_\_\_\_

Date: \_\_\_\_\_

Attest: \_\_\_\_\_  
\_\_\_\_\_  
Typed Name and Title

- Attachments:  
Attachment A — Statement of Work/Technical Specifications  
Attachment B — Insurance Requirements  
Attachment C — District’s Supplemental Instructions (sample)

ATTACHMENT A — STATEMENT OF WORK  
**FABRICATE AND INSTALL STEEL MANATEE BARRIER**

**I. INTRODUCTION/BACKGROUND**

The St. Johns River Water Management District (District) operates three locks and dams along the Ocklawaha River, and the largest of these is Moss Bluff. The Moss Bluff Dam structure (S-251) is located on the southern edge of the Ocala National Forest, along the Ocklawaha River in Marion County, Florida (see Figure 1). The dam structure was designed and constructed by the US Army Corps of Engineers (USACE) in 1968 and the District has operated and maintained the structures since. The dam is constructed of reinforced concrete and has a width of 43.25 feet between abutment walls and a total length of approximately 135 feet.

Providing a manatee barrier upstream of the dam is a critical component of protecting the manatees that navigate in the area.

**II. OBJECTIVE**

The objective of this procurement is to purchase and have installed a manatee barrier upstream of the Moss Bluff water control structure.

**III. SCOPE OF WORK**

The scope of work generally includes the fabrication and installation of steel manatee barrier and support frame. It should be noted that two barriers and support frames are required as there are two independent spillways that make up the dam structure.

**IV. TASK IDENTIFICATION**

Contractor's Responsibilities:

- Provide shop drawings for final approval prior to fabrication.
- Provide District with estimated fabrication and delivery schedule.
- Fabricate Manatee Barrier and Support Frame per the approved shop drawings
- Mobilize to site and provide all labor, equipment and material to complete the project.
- Install Manatee and Support Frame per the attached drawings (Exhibit 1)
- Demobilize from site. The Contractor shall take care to protect all existing structures, roads, utilities and other improvements from damage. Additionally, the Work will be considered complete only after all rubbish and unused material associated with the Work has been removed and the premises left in a condition satisfactory to the District. All property disturbed or damaged during prosecution of the Work shall be restored to its former condition or better at no additional expense to the District.

District's Responsibilities:

- Review and approve shop drawings
- Provide access to the Contractor
- Oversee all aspects of fabrication and installation process
- Conduct final walk-through with Contractor

**V. TIME FRAMES AND DELIVERABLES**

Deliverables for the Work includes the installation and fabrication of two manatee barriers and support frames in accordance with the approved shop drawings. The Work shall be completed by July 31, 2023. .

**VI. BUDGET AND INVOICE REQUIREMENTS**

The work is authorized to proceed on the date the contract is executed by the District. The District shall inspect the Contractor's work within 24-hours on completion. The Contractor shall correct any deficiencies noted.

**Project Manager**  
Rayford "Flint" McCain  
Bureau of Operations and Maintenance  
321-212-9329 (cell)  
rmccain@sjrwmd.com (email)

Attachments:

Figure 1 - Moss Bluff Lock and Dam Map  
Exhibit 1 - – Moss Bluff Manatee Barrier Drawings

FIGURE 1  
MOSS BLUFF LOCK AND DAM MAP

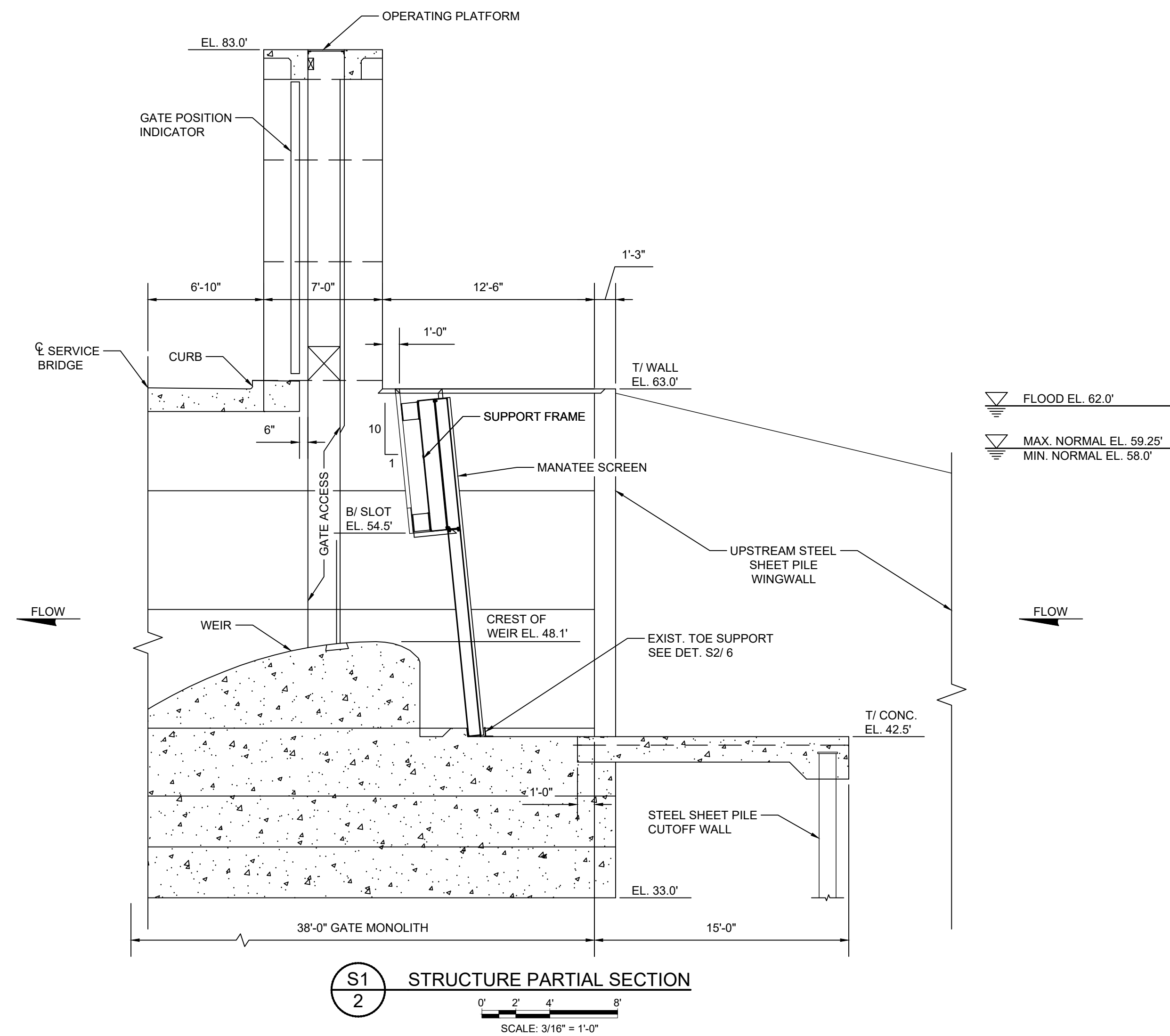
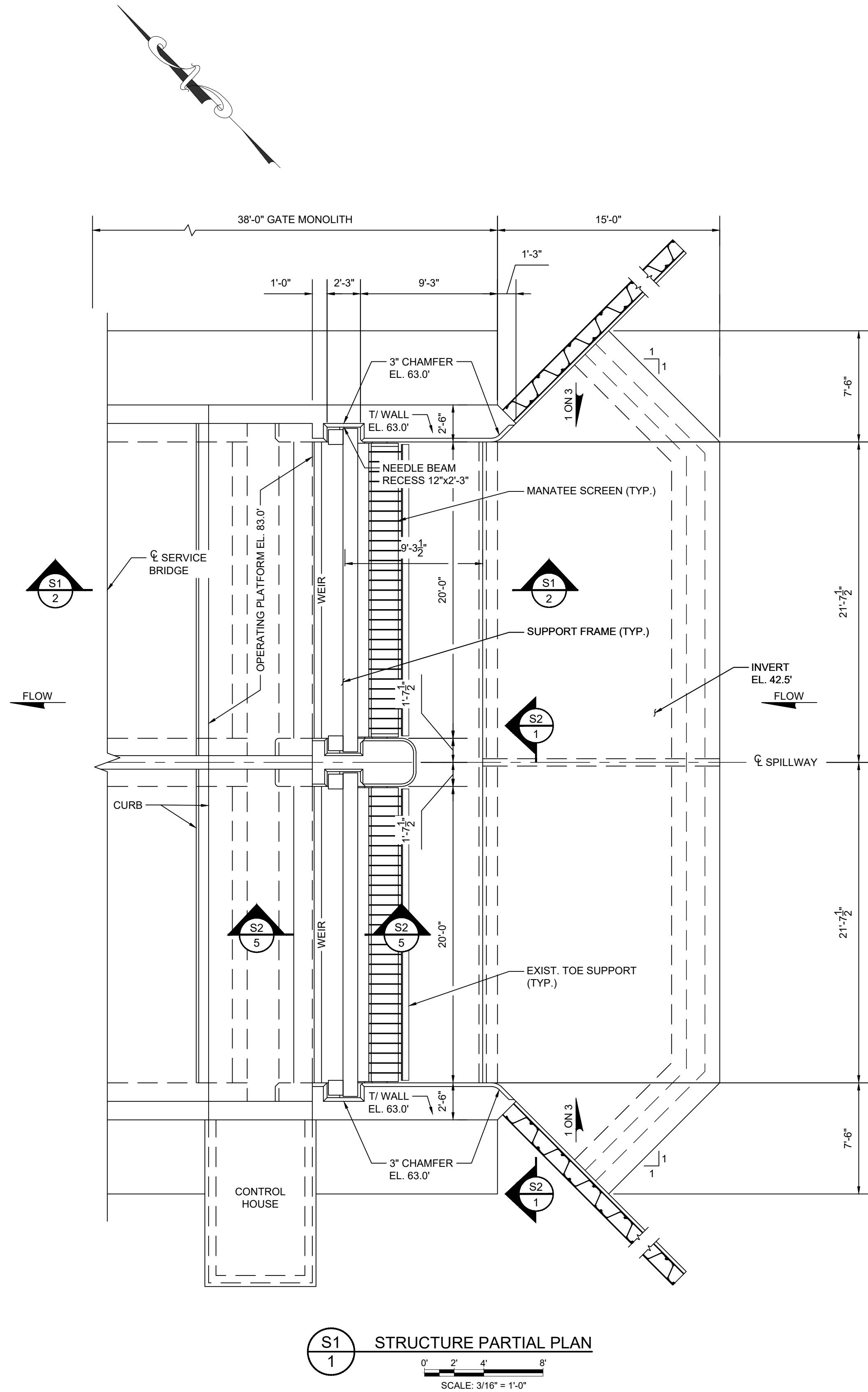


EXHIBIT 1 – MOSS BLUFF MANATEE BARRIER DRAWING

*(This exhibit is located on the following page.)*

**STRUCTURAL STEEL NOTES:**


1. STRUCTURAL STEEL DESIGN, FABRICATION, AND ERECTION SHALL BE IN ACCORDANCE WITH THE AMERICAN INSTITUTE OF STEEL CONSTRUCTION (AISC) SPECIFICATION FOR THE DESIGN, FABRICATION AND ERECTION OF STRUCTURAL STEEL FOR BUILDINGS, LATEST EDITION.
2. ALL BOLTS SHALL BE STAINLESS STEEL CONFIRMING TO ASTM A276, TYPE 316.
3. WELDING SHALL BE IN ACCORDANCE WITH THE AMERICAN WELDING SOCIETY (AWS) STRUCTURAL WELDING CODE AWS D1.1.
4. ALL STRUCTURAL AND MISCELLANEOUS STEEL SHALL BE NEW AND CONFORM TO THE REQUIREMENTS OF THE AMERICAN SOCIETY OF TESTING AND MATERIALS (ASTM) STANDARD A36 UNLESS NOTED OTHERWISE.
5. ALL BOLTED CONNECTIONS SHALL UTILIZE ASTM SS-316 BOLTS IN BEARING-TYPE CONNECTIONS UNLESS NOTED OTHERWISE. THE MINIMUM SIZE OF BOLT SHALL BE 3/4 INCH DIAMETER UNLESS NOTED OTHERWISE.
6. ALL WELDING SHALL BE SHOP WELDED AND UTILIZE E70XX ELECTRODES UNLESS NOTED OTHERWISE.
7. ALL STEEL ASSEMBLIES SHALL BE GALVANIZED IN ACCORDANCE WITH ASTM A123 STANDARD SPECIFICATION FOR ZINC (HOT-DIP GALVANIZED) COATINGS ON IRON AND STEEL PRODUCTS.
8. FIELD CORRECTING OF FABRICATED STEEL SHALL NOT BE PERMITTED ON MAJOR STRUCTURAL MEMBERS WITHOUT PRIOR APPROVAL OF THE ENGINEER.
9. THE STRUCTURAL STEEL FABRICATOR SHALL SUBMIT SHOP DRAWINGS TO THE ENGINEER FOR REVIEW AND APPROVAL.



**ISSUED FOR CONSTRUCTION**

NO.	REVISION	BY	DATE	APPROVED	DATE

**UPPER OCKLAWAHA RIVER BASIN**  
**MOSS BLUFF DAM MANATEE PROTECTION SCREEN**  
**MARION COUNTY, FLORIDA**

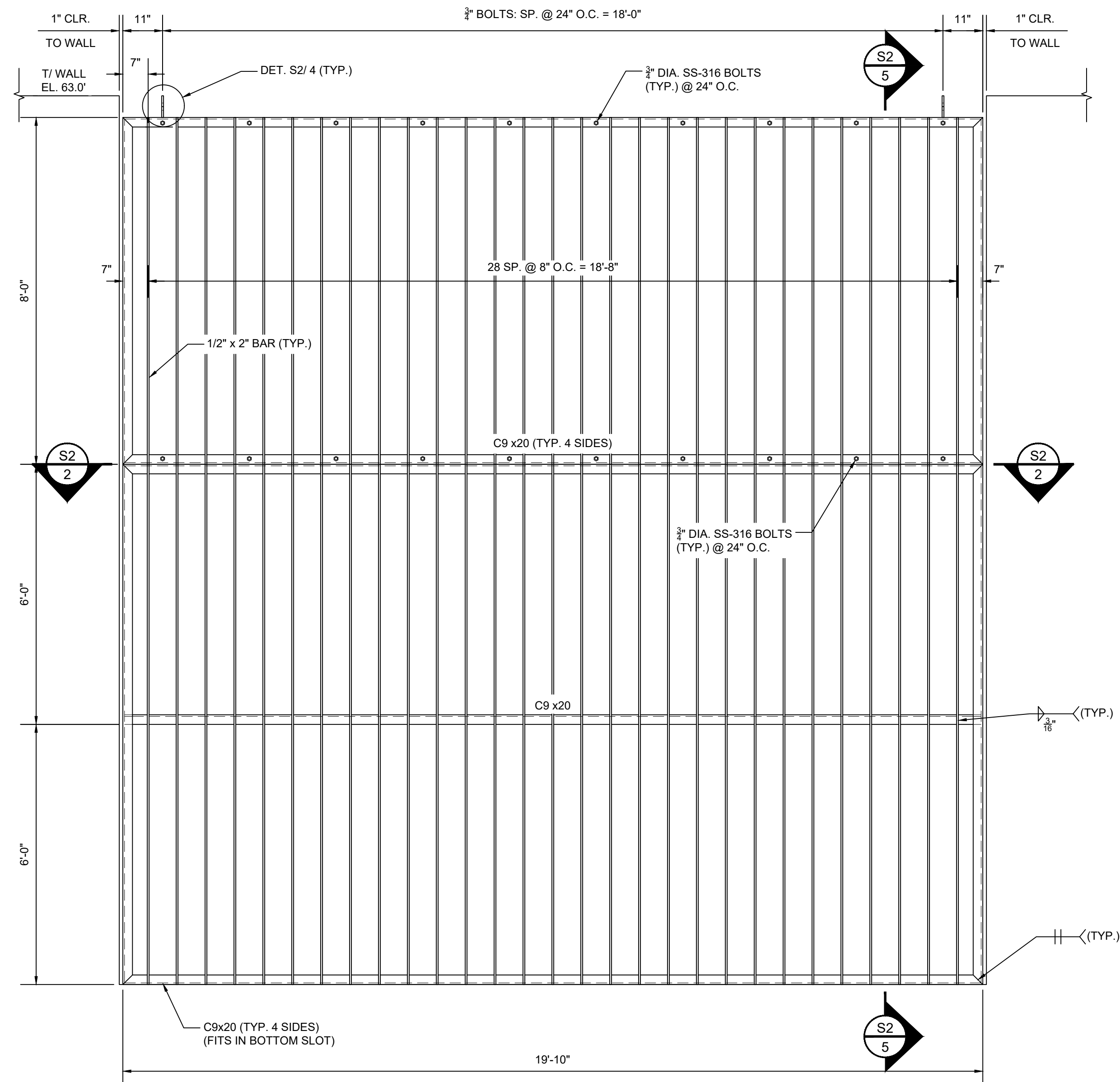

**ST. JOHNS RIVER**  
**WATER MANAGEMENT DISTRICT**  
P.O. BOX 1429 PALATKA, FLORIDA

DRAWN: N.J.G.	DATE: MARCH 7, 2023	REVIEWER: W.R.C.
SCALE: AS NOTED	DESIGNER: W.R.C.	SECTION CHIEF: W.R.C.

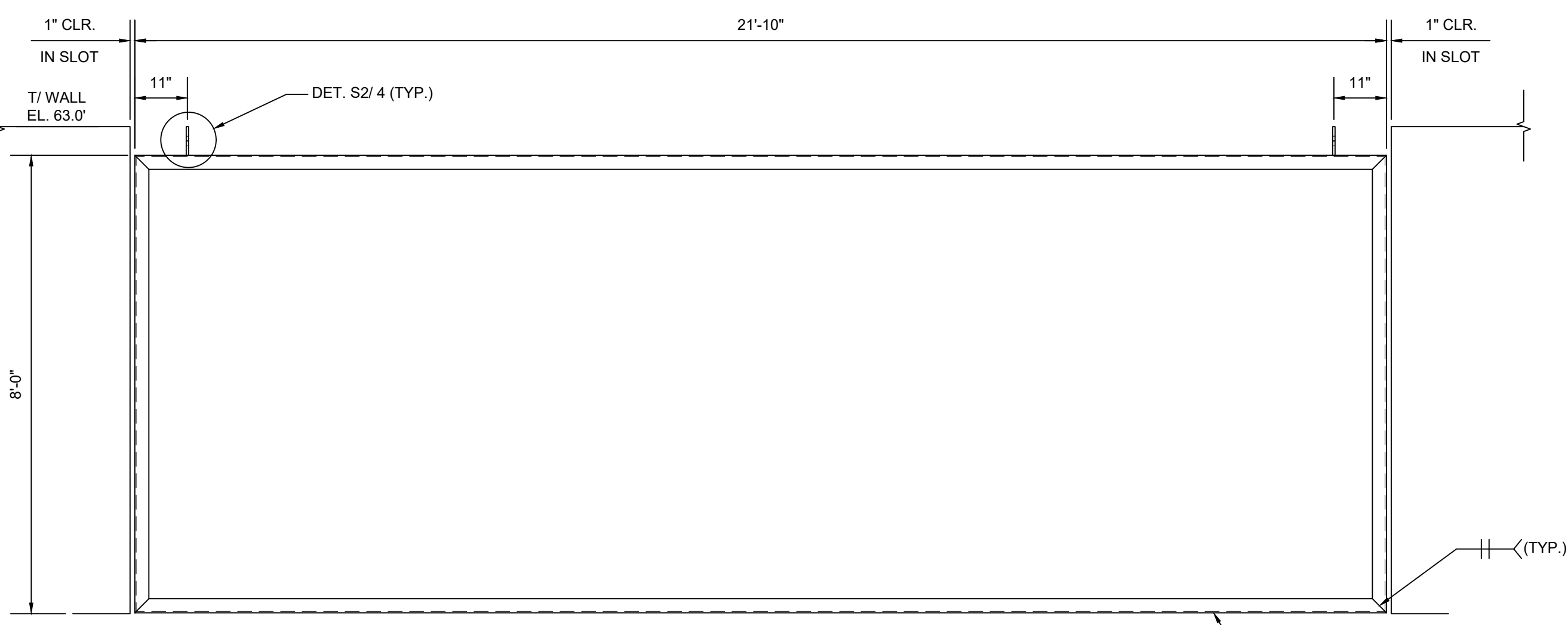
**MANATEE PROTECTION SCREEN**  
**PLAN AND SECTION**

CERTIFICATION:  
 WILLIAM R. COTE  
 P. E. NUMBER: 53746  
 DATE: MARCH 7, 2023

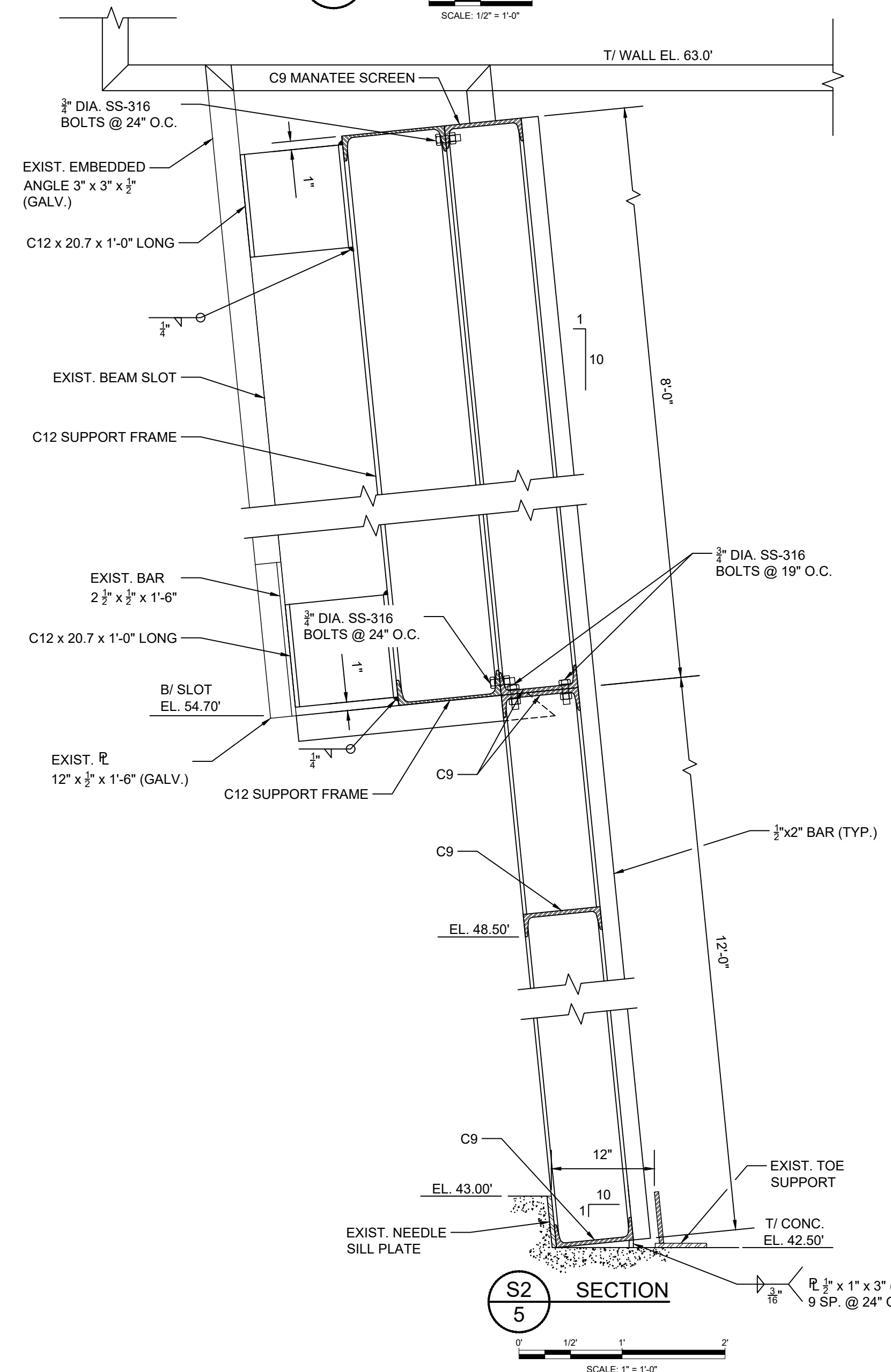
FILE NAME:  
 MOSS BLUFF DAM MPS.dwg  
 PROJECT NO.:  
 SHEET:  
**S1**



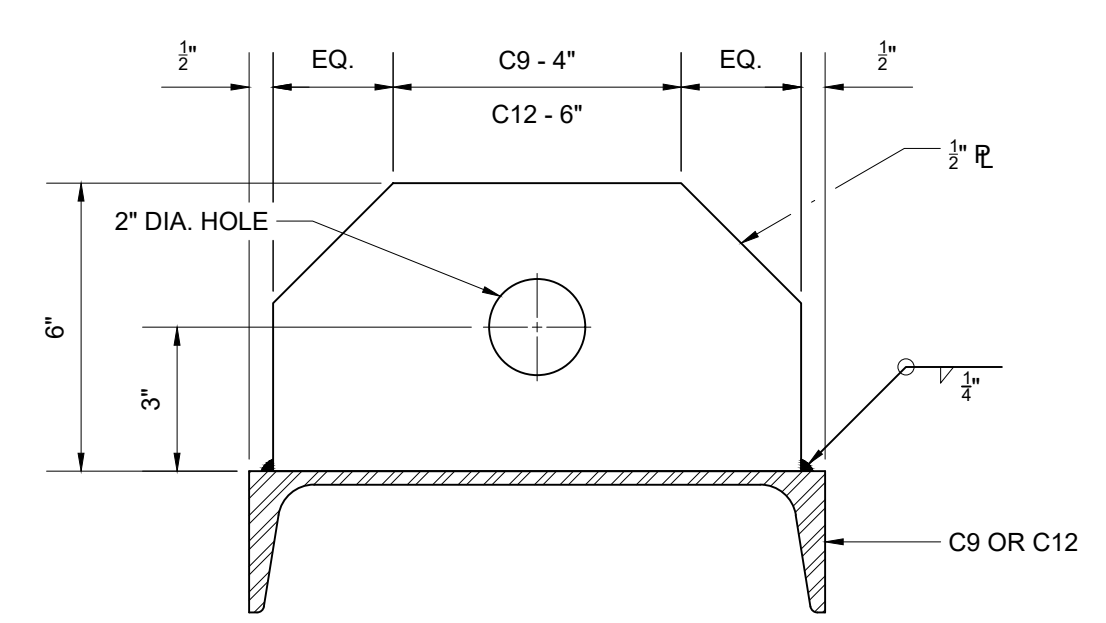
**S2 1**  
ELEVATION  
MANATEE PROTECTION SCREEN  
SCALE: 1/2" = 1'-0"



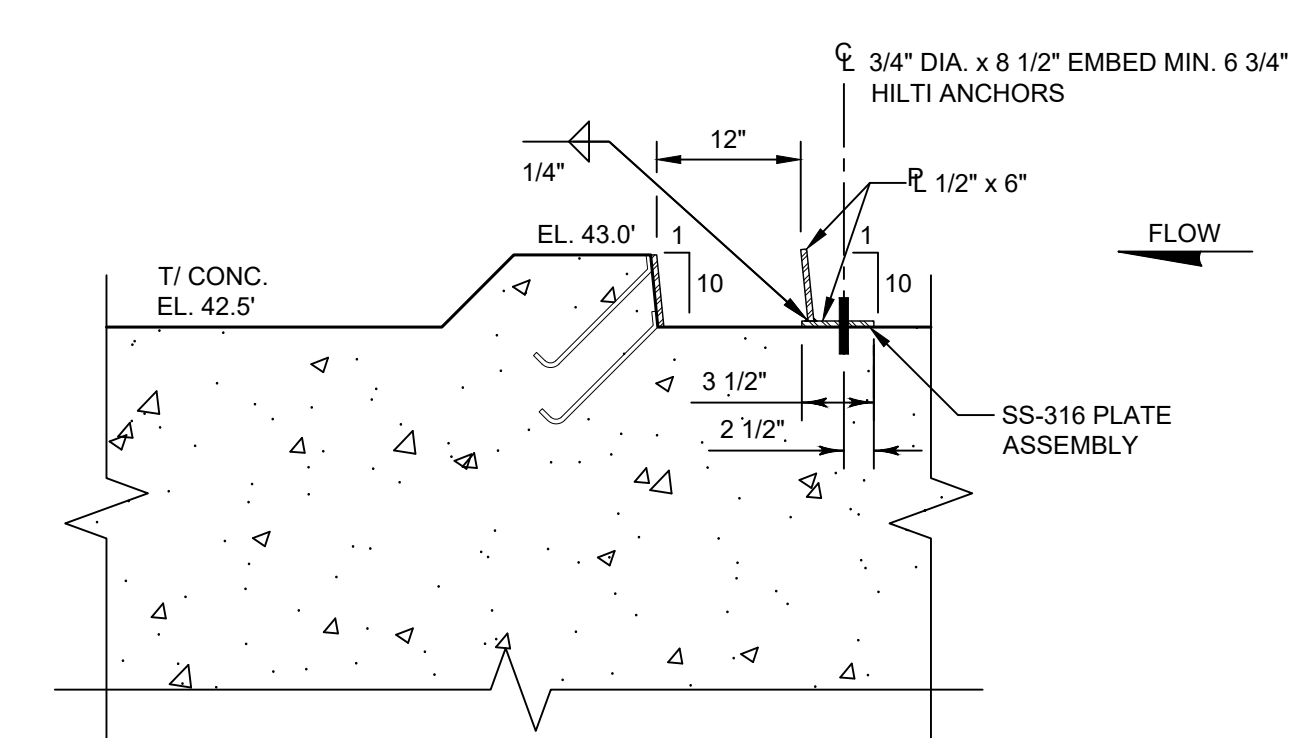
**S2 3**  
ELEVATION  
SUPPORT FRAME  
SCALE: 1/2" = 1'-0"



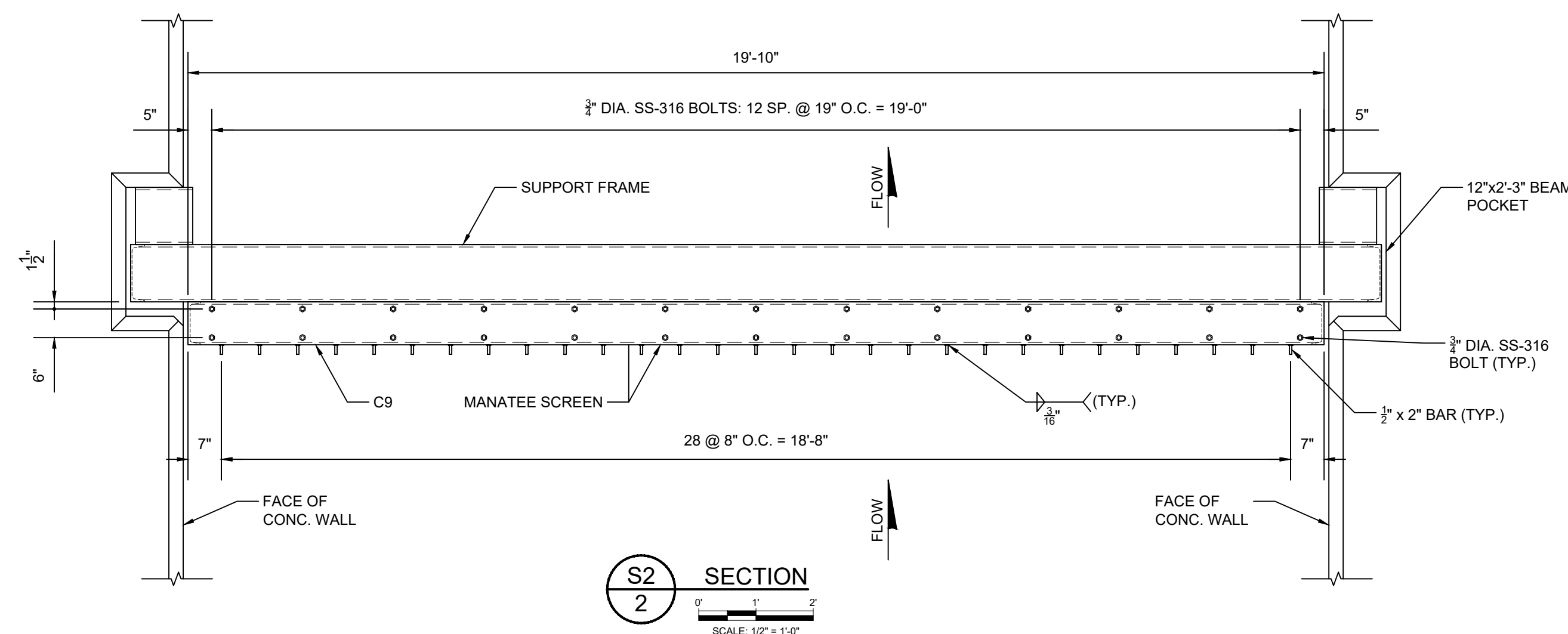
**S2 5**  
SECTION  
SCALE: 1" = 1'-0"



**S2 4**  
LIFT PLATE DETAIL  
SCALE: 3/4" = 1'-0"



**S2 6**  
EXIST TOE SUPPORT  
SCALE: 3/4" = 1'-0"



**S2 2**  
SECTION  
SCALE: 1/2" = 1'-0"

**ISSUED FOR CONSTRUCTION**

U:\PROJECTS\2023\MOSS BLUFF DAM\MANATEE PROTECTION SCREEN\MOSS BLUFF DAM MPS.dwg

NO.	REVISION	BY	DATE	APPROVED	DATE

**UPPER OCKLAWAHA RIVER BASIN  
MOSS BLUFF DAM MANATEE PROTECTION SCREEN  
MARION COUNTY, FLORIDA**

**ST. JOHNS RIVER  
WATER MANAGEMENT DISTRICT**  
P.O. BOX 1429 PALATKA, FLORIDA

DRAWN: N.J.G.    DATE: MARCH 7, 2023    REVIEWER: W.R.C.  
SCALE: AS NOTED    DESIGNER: W.R.C.    SECTION CHIEF: W.R.C.

**MANATEE PROTECTION SCREEN  
DETAILS AND NOTES**

CERTIFICATION:  
WILLIAM R. COTE  
P.E. NUMBER: 53746  
DATE: MARCH 7, 2023

FILE NAME:  
MOSS BLUFF DAM MPS.dwg  
PROJECT NO.:  
SHEET:  
**S2**

## ATTACHMENT B — INSURANCE REQUIREMENTS

Contractor shall acquire and maintain until completion of the Work the insurance coverage listed below, which constitutes primary coverage. Contractor shall not commence the Work until the District receives and approves Certificates of Insurance documenting required coverage. Contractor's General Liability policy shall include Endorsement CG 20 10 04 13, or equivalent, naming the St. Johns River Water Management District (the "District") as Additional Insured. All required policies shall include: (1) endorsement that waives any right of subrogation (Endorsement CG 24 04 05 09, or equivalent) against the District for any policy of insurance provided under this requirement or under any state or federal worker's compensation or employer's liability act; (2) endorsement to give the District no less than 30 days' notice in the event of cancellation or material change. Certificates of Insurance must be accompanied by copies of the requested endorsements.

Any deductibles or self-insured retentions above \$100,000 must be declared to and approved by the District. Approval will not be unreasonably withheld. Contractor is responsible for any deductible or self-insured retention. Insurance must be placed with insurers having an A.M. Best rating of A-V or greater. District receipt of insurance certificates providing less than the required coverage does not waive these insurance requirements.

48. **Workers' Compensation Insurance.** Workers' compensation and employer's liability coverage, including maritime workers' compensation, if applicable, in not less than the minimum limits required by Florida law. If Contractor claims an exemption from workers' compensation coverage, Contractor must provide a copy of the Certificate of Exemption from the Florida Division of Workers' Compensation for all officers or members of an LLC claiming exemption who will be participating in the Work. In addition, Contractor must provide a completed District "Affidavit (Non-Construction)" for non-construction contracts. Contractor is solely responsible for compliance with any Federal workers' compensation laws such as Jones Act and USL&H Act, including any benefits available to any workers performing work on this project.

- (a) **General Liability.** Commercial General Liability Insurance on an "Occurrence Basis," with limits of liability for each occurrence of not less than \$1,000,000 for personal injury, bodily injury, and property damage, with a project aggregate of \$2,000,000. Coverage shall include: (1) contractual liability, (2) products and completed operations, (3) independent contractors, and (4) property in the care, control, or custody of the Contractor. Extensions shall be added or exclusions deleted to provide the necessary coverage.
- (b) **Automobile Liability.** Minimum limits of \$100,000/\$300,000/\$100,000.
- (c) **Watercraft Liability.** \$1,000,000 (each occurrence) for bodily injury and property damage.



ATTACHMENT C — DISTRICT’S SUPPLEMENTAL INSTRUCTIONS (sample)

DISTRICT SUPPLEMENTAL INSTRUCTIONS #

DATE:

TO: \_\_\_\_\_  
\_\_\_\_\_  
\_\_\_\_\_  
, \_\_\_\_\_

FROM: Rayford McCain, Project Manager

CONTRACT NUMBER: 38618

CONTRACT TITLE: Fabricate and Install Manatee Barriers - Moss Bluff

The Work shall be carried out in accordance with the following supplemental instruction issued in accordance with the Contract Documents without change in the Contract Sum or Contract Time. Prior to proceeding in accordance with these instructions, indicate your acceptance of these instructions for minor adjustments to the work as consistent with the Contract Documents and return to the District’s Project Manager.

1. CONTRACTOR’S SUPPLEMENTAL INSTRUCTIONS:
2. DESCRIPTION OF WORK TO BE CHANGED:
3. DESCRIPTION OF SUPPLEMENTAL INSTRUCTION REQUIREMENTS: .

**Contractor’s approval: (choose one of the items below):**

Approved: \_\_\_\_\_ Date: \_\_\_\_\_

(It is agreed that these instructions shall not result in a change in the Total Compensation or the Completion Date.)

Approved: \_\_\_\_\_ Date: \_\_\_\_\_

(Contractor agrees to implement the Supplemental Instructions as requested but reserves the right to seek a Change Order in accordance with the requirements of the Agreement.)

Approved: \_\_\_\_\_ Date: \_\_\_\_\_  
Rayford McCain, District Project Manager

Acknowledged: \_\_\_\_\_ Date: \_\_\_\_\_  
Amy Lucey, District Senior Procurement Specialist

c: Contract file  
Financial Services