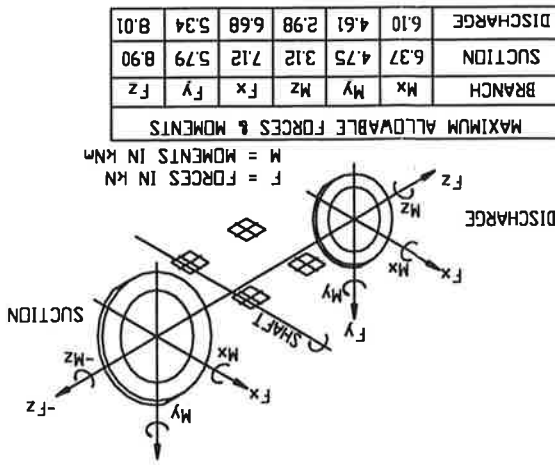


1 FOUNDATION BOLTS AND CONNECTING PIPING MUST NOT BE FIXED RIGIDLY UNTIL MACHINE IS IN PLACE. WHEN EXPANSION JOINTS ARE USED IN THE DISCHARGE AND/OR SUCTION PIPING SUITABLY SIZED PIPE ANCHORS OR THE RODS MUST BE INSTALLED BETWEEN THE EXPANSION JOINT AND THE PUMP PROPER. THESE MEASURES ARE REQUIRED TO PREVENT THE TRANSMISSION OF EXCESSIVE HYDRAULIC FORCES TO THE PUMP.



MAXIMUM ALLOWABLE FORCES & MOMENTS

BRANCH	Mx	My	Mz	Fx	Fy	Fz
SUCTION	6.37	4.75	3.12	7.12	5.79	8.90
DISCHARGE	6.10	4.61	2.98	6.68	5.34	8.01

DRIVER DATA

MANUFACTURER	FRAME	US MOTORS	PHASE/HERTZ/VOLTS
581ML			3/60/4160
HORSEPOWER			
700			
RPM			
1800			
FURNISHED BY			
FLOWSERVE			
ENCLOSURE			
TEFC			
FLOWSERVE			
TOTAL			
9643			

APPROX WEIGHTS-LBS.

PUMP (DRY)	2800
MOTOR	5700
COUPLING	93
BASEPLATE	1050
TOTAL	9643

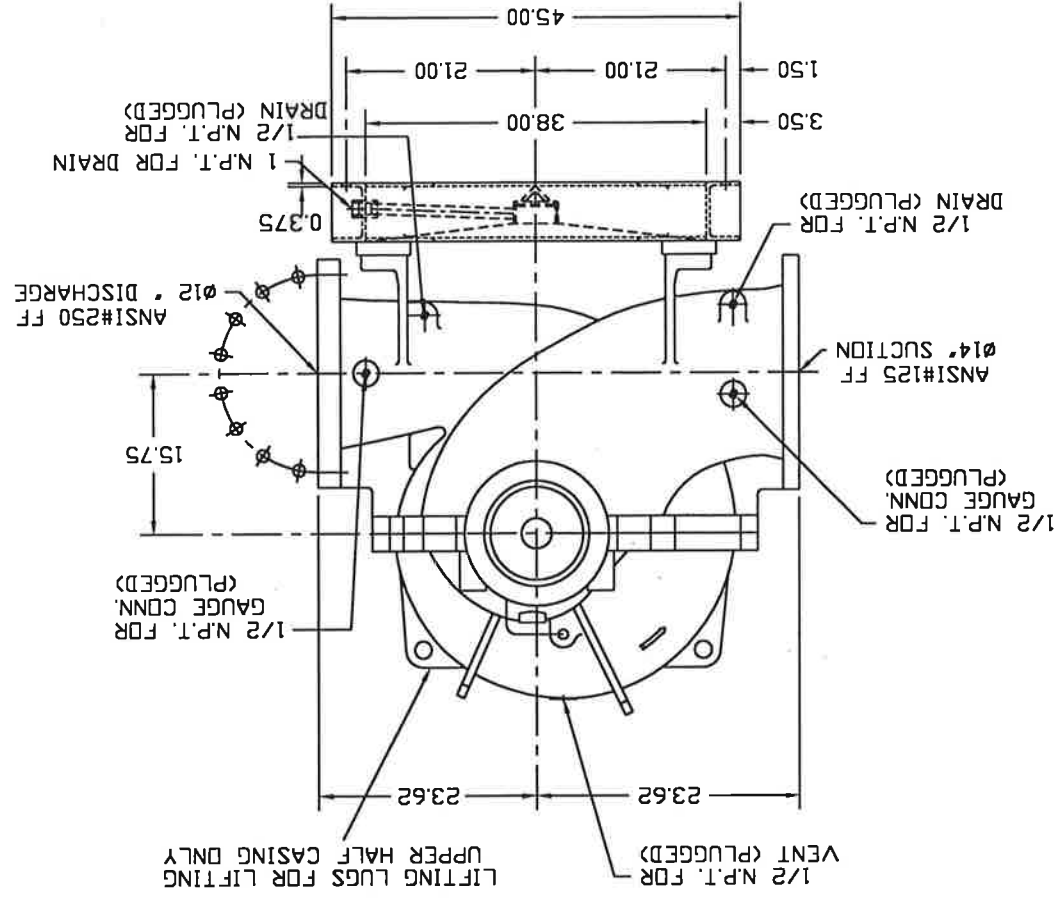
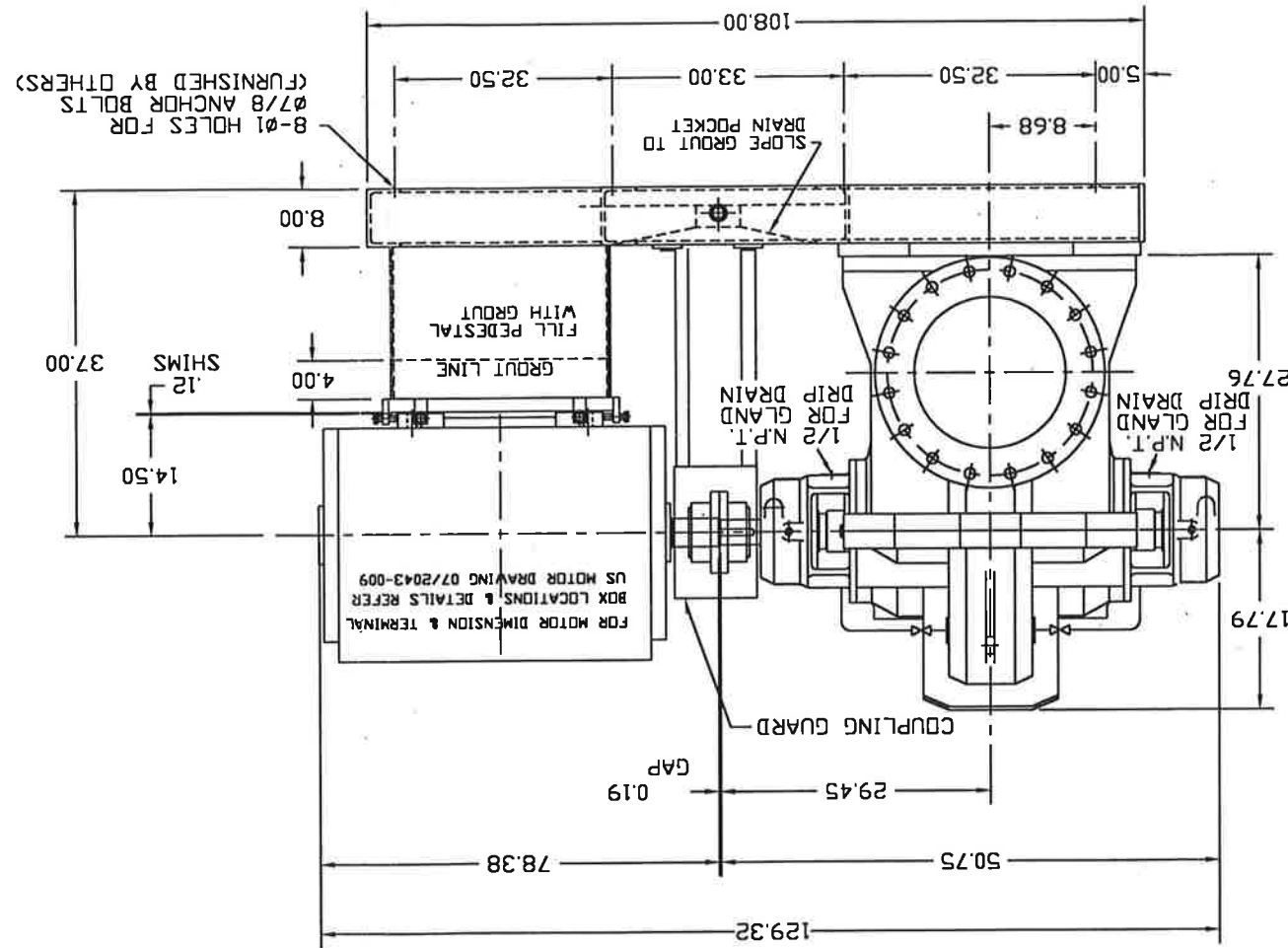
COUPLING: FALK 1100T-10

PIPE STUFFING BOX SEAL: FLOWSERVE TYPE RD

PUMP BEARING LUBRICATION: GREASE

BASEPLATES ARE FABRICATED STEEL TO ASTM A-36.

CLOCKWISE ROTATION VIEWING FROM COUPLING END - PER HI



3440 CAD DWG-NO MANUAL CHANGES PERMITTED

300LNN600 PUMP ELEVATION

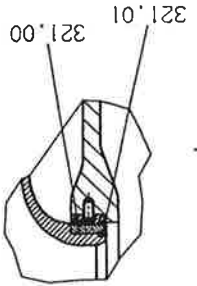
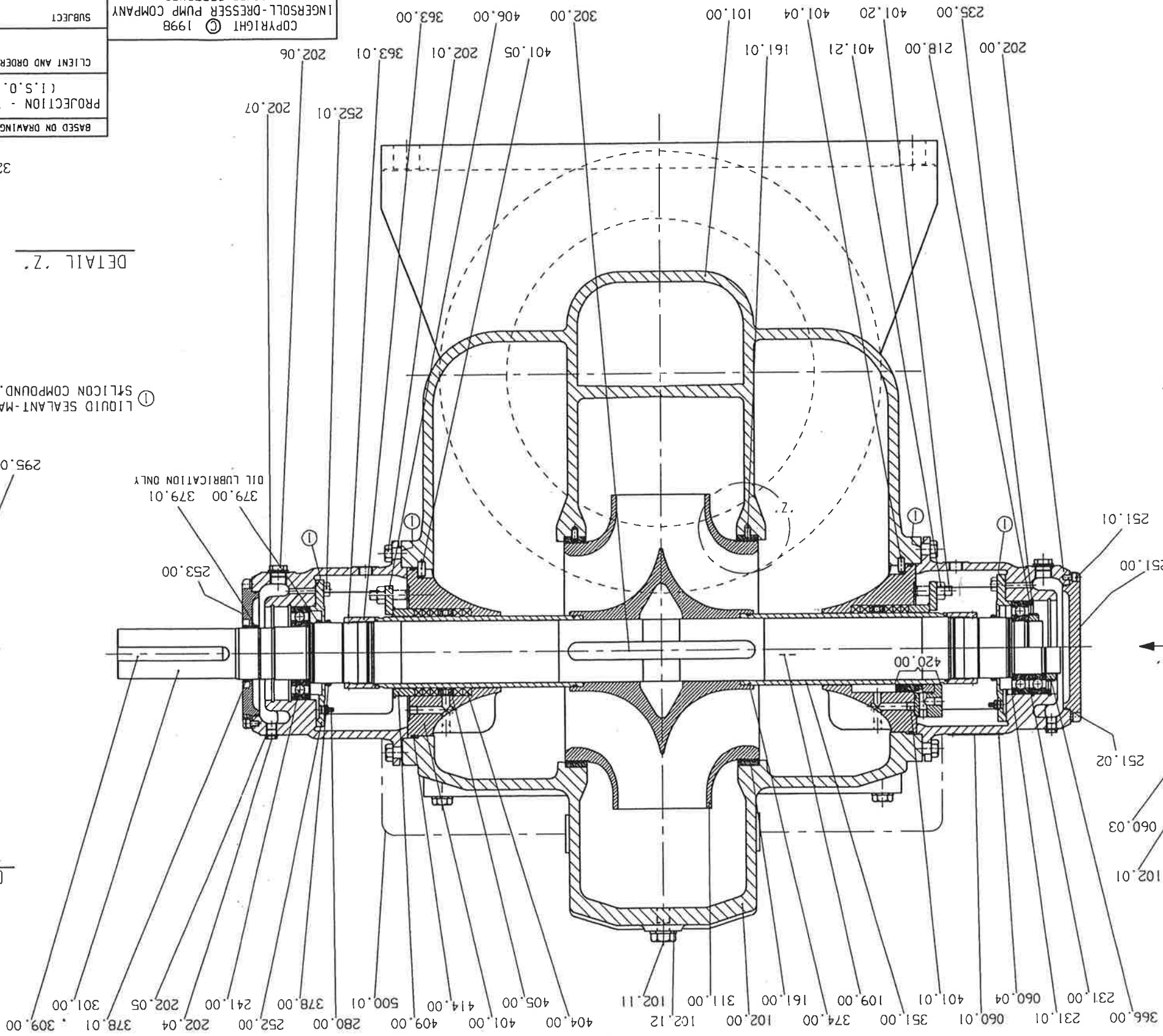
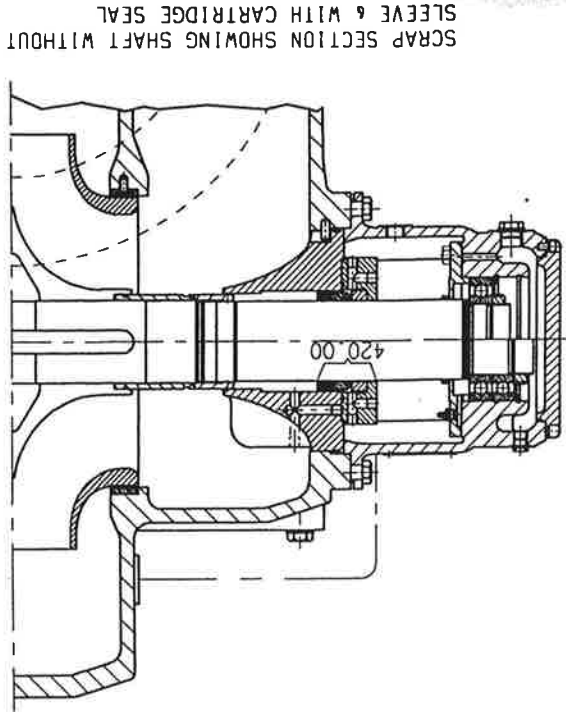
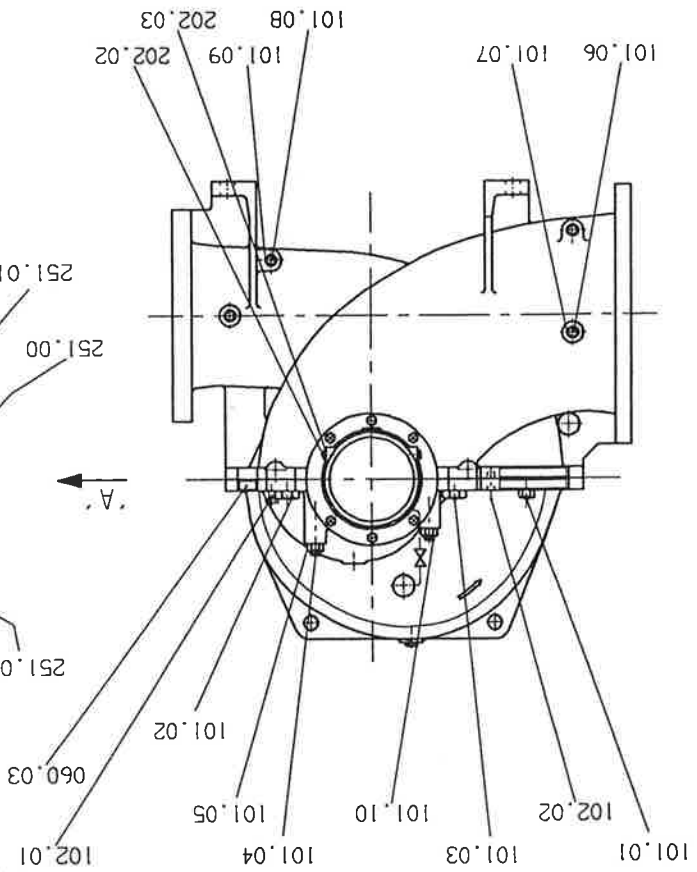
AS DRAWN CHECKED APPROVED  
 TANEY TOWN, MARYLAND  
 ORDER S-001588 DATE 01/03/01 SCALE N. I. S.  
 GS001588

PROJECT - ROCKDALE WATER TREATMENT PLANT  
 CAPACITY: 6000 GPM, HEAD:360 FT  
 TAG NO: P-8-3, P-8-4, P-8-5

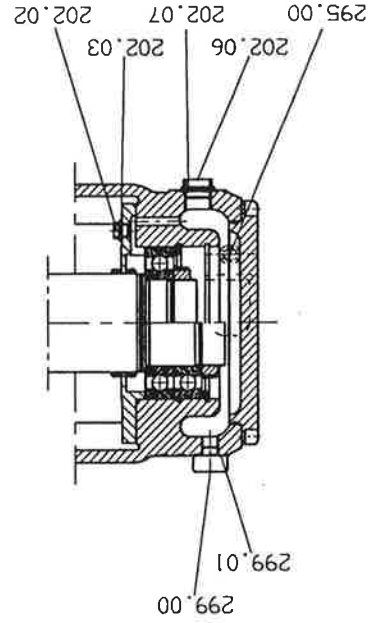
ALL DIMENSIONS ARE IN INCHES  
 TOLERANCE ±0.12  
 BY: AS, DATE:2/24/01  
 SUCTION FLANGE WAS 250# RATING

CORRECT FOR CUSTOMER'S ORDER 69221-11212  
 CUSTOMER BEERS CONSTRUCTION / ROCKDALE COUNTY WTP  
 DISTRICT OFFICE ORDER 047-82233 WORKS ORDER S-001588  
 CERTIFIED BY AMBI DATE 01/03/01  
 DIMENSIONS ARE FROM DRAWINGS. CASTINGS MAY VARY SLIGHTLY. FOUNDATION BOLTS MUST NOT BE FIXED RIGIDLY UNTIL MACHINE IS IN PLACE. THIS PRINT IS LOANED SUBJECT TO RETURN ON DEMAND AND UNDER CONDITION THAT IT IS NOT TO BE USED IN ANY RETRIBUTION TO OUR INTERESTS.  
 DO NOT SCALE. ADDITIONAL DIMENSIONS WILL BE FURNISHED UPON REQUEST.

VIEW 'A'



DETAIL 'Z'



OIL LUBRICATION

① LIQUID SEALANT-MARSTON HYDROSL 100 RTV  
② SILICON COMPOUND, OR CASCO 145.

PROJECTION - THIRD ANGLE  
(I.S.O. 128)

CLIENT AND ORDER No. FACTORY

SUBJECT STD. SECTION LNM SPLICASTING PUMP



INGERSOLL-DRESSER PUMPS (UK) LTD  
NEWARK, ENGLAND

C751/006

DRAWING NUMBER  
1 OF 3 SHEET

DRAWN BY CPS  
DATE 08/04/98  
AGREED FOR MFG.  
DATE 08/04/98  
DRAWN SCALE .28

THIS DOCUMENT CONTAINS CONFIDENTIAL AND TRADE SECRET INFORMATION. IS THE PROPERTY OF INGERSOLL-DRESSER PUMPS AND IS GIVEN TO THE RECEIVER IN CONFIDENCE. THE RECEIVER BY RECEIVING AND RETENTION OF THE DOCUMENT ACCEPTS THE DOCUMENTS IN CONFIDENCE AND AGREES THAT, EXCEPT AS AUTHORIZED IN WRITING BY INGERSOLL-DRESSER PUMPS, IT WILL NOT USE THE DOCUMENT OR ANY COPY THEREOF OR THE CONFIDENTIAL OR TRADE SECRET INFORMATION THEREIN OR THE COPY OF THE DOCUMENT (2) NOT DISCLOSE TO OTHERS EITHER THE DOCUMENT OR THE CONFIDENTIAL OR TRADE SECRET INFORMATION THEREIN, AND (3) FROM DEMAND RETURN THE DOCUMENT, ALL COPIES THEREOF, AND ALL MATERIAL COPIES THEREFROM.

WARNING: THE EXPORT OR RE-EXPORT OF THIS DRAWING OR A PRODUCT PRODUCED BY THIS DRAWING IS SUBJECT TO UK EXPORT ADMINISTRATION REGULATIONS AND OTHER APPLICABLE GOVERNMENTAL RESTRICTIONS OR REGULATIONS.

REV	DATE	INITIAL	ZONE	DESCRIPTION OF ALTERATION
A	22/8/2000	KV		GENERAL UPDATE

ISSUE DATE	INITIAL	ZONE	DESCRIPTION OF ALTERATION
23/8/2000	KV		GENERAL UPDATE


DRAWN BY CPS  
DATE 08/04/98  
AGREED FOR MFG.

THIS DOCUMENT CONTAINS CONFIDENTIAL AND TRADE SECRET INFORMATION, IS THE PROPERTY OF INGERSOLL-DRESSER PUMPS AND IS GIVEN TO THE RECEIVER IN COMPLIANCE WITH THE RECEIPT AND RETENTION OF THE DOCUMENT. THE RECEIVER BY RECEIVING AND RETENTION OF THE DOCUMENT ACCEPTS THE DOCUMENTS IN CONFIDENCE AND AGREES THAT, EXCEPT AS AUTHORIZED IN WRITING BY INGERSOLL-DRESSER PUMPS, IT WILL (1) NOT USE THE DOCUMENT OR ANY COPY THEREOF OR THE CONFIDENTIAL OR TRADE SECRET INFORMATION THEREIN, (2) NOT COPY THE DOCUMENT, (3) NOT DISCLOSE TO OTHERS EITHER THE DOCUMENT OR THE CONFIDENTIAL OR TRADE SECRET INFORMATION THEREIN, AND (4) UPON DEMAND, RETURN THE DOCUMENT, ALL COPIES THEREOF, AND ALL MATERIAL COPIES THEREFROM.

WARNING: THE EXPORT OR RE-EXPORT OF THIS DRAWING OR A PRODUCT PRODUCED BY THIS DRAWING IS SUBJECT TO UK EXPORT ADMINISTRATION REGULATIONS. THE EXPORT OR RE-EXPORT OF THIS DRAWING OR A PRODUCT PRODUCED BY THIS DRAWING IS SUBJECT TO UK EXPORT ADMINISTRATION REGULATIONS.

DRAWING NUMBER  
C751/006  
SHEET 2 OF 3

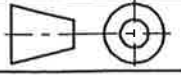
INGERSOLL-DRESSER PUMPS (UK) LTD  
NEWMARK, ENGLAND



SUBJECT  
LNN SPLIT CASING PUMP  
STD. SECTION

CLIENT AND ORDER No.  
FACTORY

PROJECTION - THIRD ANGLE  
(I.S.O. 128)



BASED ON DRAWING No.

REF. No.	DESCRIPTION	MATERIAL
060.01	NAMEPLATE	ST. ST.
060.03	NAMEPLATE	BRASS
060.04	DRIVE SCREW	ST. ST.
101.00	CASING LOWER HALF	BS1452 GD250
101.01	SCREW	STEEL GD 8.8
101.02	SCREW	"
101.03	SCREW	"
101.04	STUD	"
101.05	NUT	"
101.06	PLUG	"
101.07	WASHER	COPPER
101.08	PLUG	STEEL GD 5.8
101.09	WASHER	COPPER
101.10	STUD	STEEL GD 8.8
102.00	CASING UPPER HALF	BS1452 GD250
102.01	FORCING SCREW	STEEL GD 8.8
102.02	LOCATING DOWEL	BS970 070M20
102.11	PLUG	"
102.12	WASHER	COPPER
109.00	GASKET	KLINGERSIL C4200
161.00	CASING RING	BRONZE BS1400 PB1
161.01	PIN	ST. ST. GD302
202.00	BEARING HOUSING	BS1452 GD180
202.01	SETSCREW	STEEL GD 8.8
202.02	PLUG	STEEL GD 5.8

REF. No.	DESCRIPTION	MATERIAL
202.03	WASHER	COPPER
202.04	PLUG	STEEL GD 5.8
202.05	WASHER	COPPER
202.06	PLUG	STEEL GD 5.8
202.07	WASHER	COPPER
218.00	THRUST WASHER	BS970 070M20
231.00	RADIAL BALL BEARING	STEEL
231.01	SHIM SET	M. STEEL
235.00	CIRCLIP	SPRING STEEL
241.00	RADIAL BALL BEARING	STEEL
251.00	END COVER	BS1452 GD180
251.01	CAPSCREW	STST 316
251.02	O. RING	NITRILE
252.00	BEARING COVER	BS1452 GD180
252.01	SETSCREW	STEEL GD 8.8
253.00	END COVER D.E.	BS1452 GD180
280.00	GREASE NIPPLE	PLATED STEEL
295.00	CONSTANT LEVEL OILER	STEEL/GLASS
299.00	BREATHER	PLATED STEEL
299.01	REDUCING BUSH	STEEL
301.00	SHAFT	BS970 080M40
302.00	KEY	"
309.00	KEY	"
311.00	IMPELLER	10 TIN/BRONZE

REF. No.	DESCRIPTION	MATERIAL
321.00	WEAR RING	BRONZE BS1400 PB1
321.01	LOCKING SCREW	ST. ST. 316
351.00	SLEEVE	BRONZE BS1400 PB1
363.00	SHAFT NUT	"
363.01	LOCKING SCREW	ST. ST. 316
366.00	LOCKNUT	STEEL ZINC PLATED
374.00	O. RING SEAL	NITRILE RUBBER
378.00	V. RING SEAL	"
378.01	V. RING SEAL	"
379.00	V. RING SEAL (PERFORATED)	"
379.01	V. RING SEAL (PERFORATED)	"
401.00	STUFFING BOX HOUSING	BS1452 180
401.01	PLUG	STEEL GD 5.8
401.04	PIN	ST. ST. 302
401.05	PIN	"
401.20	STUD	STEEL GD 8.8
401.21	NUT	"
404.00	GLAND PACKING	LATTITEX 2773
405.00	LANTERN RING	BRONZE BS1400 PB1
406.00	GLAND	BS970 070M20
409.00	GLAND RING	BS4360 GD43A
414.00	O. RING SEAL	NITRILE RUBBER
420.00	MECHANICAL SEAL ASS.Y	"
500.01	FLUSH LINE ASS.Y	"

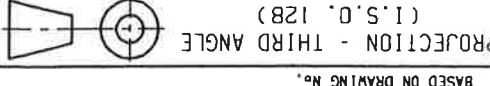
REF. No.	DESCRIPTION
060.01	NAMEPLATE
060.03	NAMEPLATE
060.04	DRIVE SCREW
101.00	CASING LOWER HALF
101.01	SCREW
101.02	SCREW
101.03	SCREW
101.04	STUD
101.05	NUT
101.06	PLUG
101.07	WASHER
101.08	PLUG
101.09	WASHER
101.10	STUD
102.00	CASING UPPER HALF
102.01	FORCING SCREW
102.02	LOCATING DOWEL
102.11	PLUG
102.12	WASHER
109.00	GASKET
161.00	CASING RING
161.01	PIN
202.00	BEARING HOUSING
202.01	SETSCREW
202.02	PLUG

REF. No.	DESCRIPTION
202.03	WASHER
202.04	PLUG
202.05	WASHER
202.06	PLUG
202.07	WASHER
218.00	THRUST WASHER
231.00	RADIAL BALL BEARING
231.01	SHIM SET
235.00	CIRCLIP
241.00	RADIAL BALL BEARING
251.00	END COVER
251.01	CAPSCREW
251.02	O-RING
252.00	BEARING COVER
252.01	SETSCREW
253.00	END COVER D.E.
280.00	GREASE NIPPLE
295.00	CONSTANT LEVEL OILER
299.00	BREATHER
299.01	REDUCING BUSH
301.00	SHAFT
302.00	KEY
309.00	KEY
311.00	IMPELLER

REF. No.	DESCRIPTION
321.00	WEAR RING
321.01	LOCKING SCREW
351.00	SLEEVE
363.00	SHAFT NUT
363.01	LOCKING SCREW
366.00	LOCKNUT
374.00	O-RING SEAL
378.00	V-RING SEAL
378.01	V-RING SEAL
379.00	V-RING SEAL (PERFORATED)
379.01	V-RING SEAL (PERFORATED)
401.00	STUFFING BOX HOUSING
401.01	PLUG
401.04	PIN
401.05	PIN
401.20	STUD
401.21	NUT
404.00	GLAND PACKING
405.00	LANTERN RING
406.00	GLAND
409.00	GLAND RING
414.00	O-RING SEAL
420.00	MECHANICAL SEAL ASS'Y
500.01	FLUSH LINE ASS'Y

COPYRIGHT © 1998  
INGERSOLL-DRESSER PUMP COMPANY  
ALL RIGHTS RESERVED

SUBJECT  
STD. SECTION  
LNN SPLIT CASING PUMP



THIS DOCUMENT CONTAINS CONFIDENTIAL AND TRADE SECRET INFORMATION. IS THE PROPERTY OF INGERSOLL-DRESSER PUMPS AND IS GIVEN TO THE RECEIVER IN CONFIDENCE. THE RECEIVER BY RECEIVING AND RETENTION OF THE DOCUMENT ACCEPTS THE DOCUMENTS IN CONFIDENCE AND AGREES THAT, EXCEPT AS AUTHORIZED OR ANY COPY HEREOF OR THE CONFIDENTIAL OR TRADE SECRET INFORMATION IN WRITING BY INGERSOLL-DRESSER PUMPS, IT WILL (1) NOT USE THE DOCUMENT OR ANY COPY THEREOF OR TRADE SECRET INFORMATION, (2) NOT DISCLOSE EITHER THE DOCUMENT OR THE CONFIDENTIAL OR TRADE SECRET INFORMATION THEREIN, AND (3) NOT DISCLOSE TO OTHERS EITHER THE DOCUMENT OR THE CONFIDENTIAL OR TRADE SECRET INFORMATION THEREIN, AND (4) UPON DEMAND, RETURN THE DOCUMENT, ALL COPIES THEREOF, AND ALL MATERIAL COPIES THEREOF.

WARNING: THE REPORT OR RE-EXPORT OF THIS DRAWING OR A PRODUCT PRODUCED BY THIS DRAWING IS SUBJECT TO UK EXPORT ADMINISTRATION REGULATIONS AND OTHER APPLICABLE GOVERNMENTAL RESTRICTIONS OR

DATE 19980408  
DRAWN BY CPS  
DATE 19980408  
AGREED FOR MFG.

DRAWING NUMBER  
C751/006  
SHEET  
3 OF 3

INGERSOLL-DRESSER PUMPS (UK) LTD  
NEWMARK, ENGLAND

REV	DATE	INITIAL	ZONE	DESCRIPTION OF ALTERATION
A	23/8/2000	KV		GENERAL UPDATE