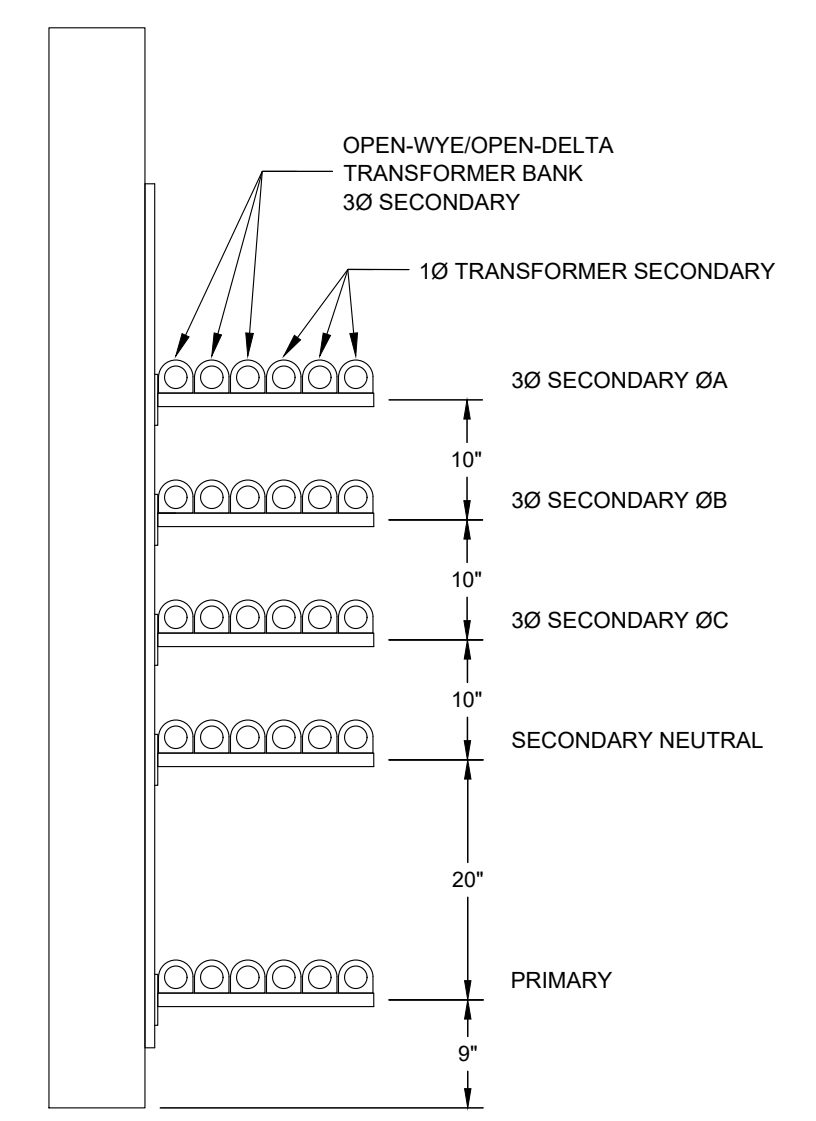


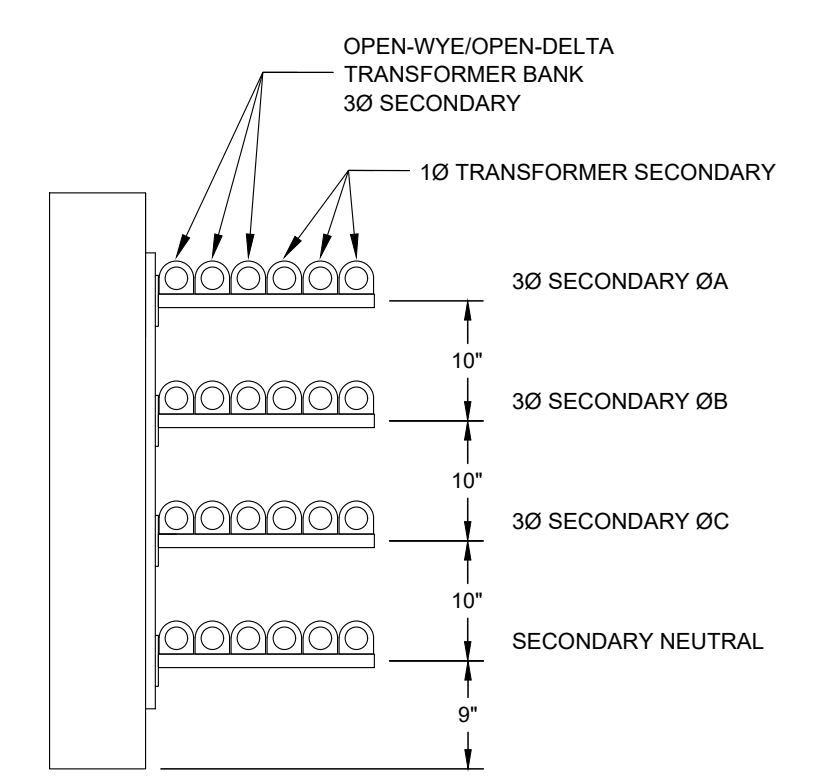
CABLE RACK ASSEMBLY DETAILS  
NTS

NOTES: CABLE RACKING

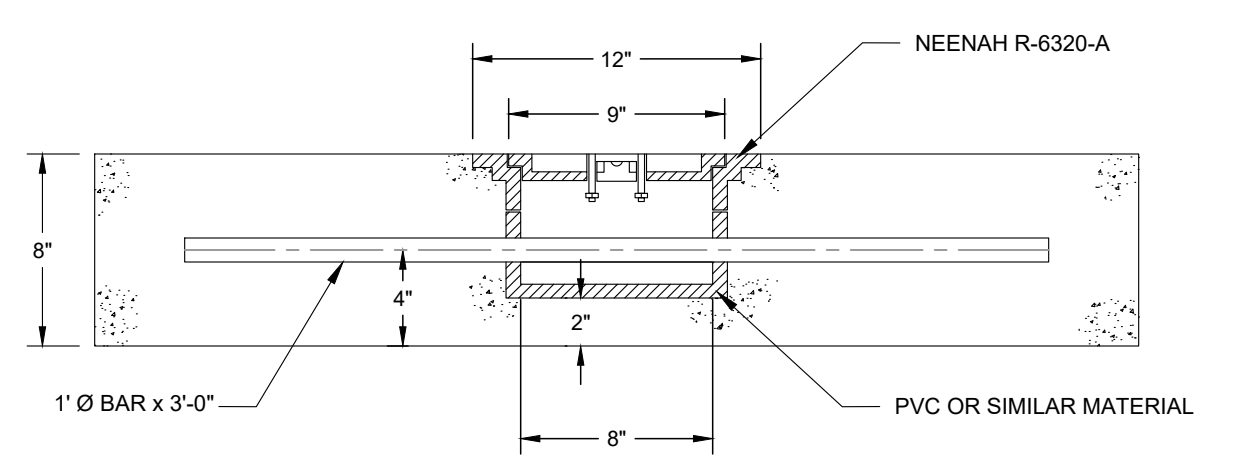
1. CABLE SUPPORT BRACKETS TO BE INSTALLED ONLY WHERE SHOWN ON THE MANHOLE AND PULLBOX DRAWINGS.
2. SIX CABLE INSULATORS SHOWN PER BRACKET. INSTALL ONLY ENOUGH INSULATORS FOR THE CABLES AS SHOWN ON THE MANHOLE AND PULLBOX DRAWINGS.



MANHOLE BRACKET  
ELEVATION - TYPICAL  
3/4" = 1'-0"



PULLBOX BRACKET  
ELEVATION - TYPICAL  
3/4" = 1'-0"



EXISTING LIFT LUGS  
3/4" = 1'-0"

Y:\Georgetown\Front St\Phase 1E1011 FSEU Misc Dets Rev 0.dwg Layout: E1011 Apr 04, 2019 - 10:06am

<p><b>PRELIMINARY</b> NOT TO BE USED FOR CONSTRUCTION</p> <p>REVISION 03/22/19</p>		<p>CITY OF GEORGETOWN GEORGETOWN, SC</p> <p>FRONT ST ELECTRIC UPGRADE - PH. 1 MISCELLANEOUS DETAILS</p>	
<p>0 BID ISSUE 04/05/19</p>		<p><b>UTEC</b> UTILITY TECHNOLOGY ENGINEERS - CONSULTANTS P.O. Box 2629 • Asheboro, North Carolina • 27204</p>	
NO.	REVISIONS	DATE	<p>DWN. LMB DATE: 03/22/19 DWG. NO. E1011</p> <p>SCALE: NOTED JOB NO. 171007 SHEET NO. 1 OF 1</p>