

## ADDENDUM NO. 1

For project contract document, specifications, construction plans and related documents for:  
**Mel Roberts Park Pavilion**

This Addendum No. 1 contains the following:

- Product data sheets for LED Lights with motion occupancy sensor controls
- Product data sheets for bathroom fixtures with motion sensor controls
  - Specified product data can be an equivalent preapproved item
  - This must be submitted to Project Manager approval before ordering of product during the submittal phase of the project
- 4 (four) exterior flood lights with motion sensor/program dusk to dawn (includes wiring)

## FEATURES & SPECIFICATIONS

**INTENDED USE** — The BLT Best-in-Value Low Profile LED luminaire features a popular center basket design that offers a clean, versatile style and volumetric distribution. High efficacy LED light engines deliver energy savings and low maintenance compared to traditional sources. An extensive selection of configurations and options make the BLT the perfect choice for many lighting applications including schools, offices and other commercial spaces, retail, hospitals and healthcare facilities. The low profile BLT design (2-3/8") also makes it an excellent choice for renovation projects.

**CONSTRUCTION** — BLT enclosure components are die-formed for dimensional consistency and painted after fabrication with a polyester powder paint for improved performance and protection.

The reflector is finished with a high reflective matte white powder paint for improved aesthetics and increased light diffusion.

End plates contain easy-to-position integral T-bar clips for securely attaching the luminaire to the T-grid. For additional T-grid security, optional screw on T-bar clips are available.

Diffusers are extruded from impact modified acrylic for increased durability.

LED boards and drivers are accessible from the plenum.

**OPTICS** — Volumetric illumination is achieved by creating an optimal mix of light to walls, partitions and vertical and horizontal work surfaces — rendering the interior space, objects and occupants in a more balanced, complimentary luminous environment. High performance extruded acrylic diffusers conceal LEDs and efficiently deliver light in a volumetric distribution. Four diffuser choices available - curved and square designs with linear prisms or a smooth frosted finish.

**ELECTRICAL** — Long-life LEDs, coupled with high-efficiency drivers, provide superior quantity and quality of illumination for extended service life. 80% LED lumen maintenance at 60,000 hours (L80/60,000). Color Variation within 3-step MacAdam ellipse (3SDCM).

**Non-Configurable BLT:** Generic 0-10 volt dimming driver. Dims to 10%

**Configurable BLT:** available in High Efficiency (HE) versions for applications where a lower wattage (over the standard product) is required. The High Efficiency versions deliver > 130 LPW and can be specified via the Lumen Package designations in the Ordering Information below.

eldoLED driver options deliver choice of dimming range, and choices for control, while assuring flicker-free, low-current inrush, 89% efficiency and low EMI.

Optional integrated nLight® controls make each luminaire addressable - allowing it to digitally communicate with other nLight enabled controls such as dimmers, switches, occupancy sensors and photocontrols. Connection to nLight is simple. It can be accomplished with integrated nLight AIR wireless RIO, RES7 sensors, or through standard Cat-5 cabling. nLight offers unique plug-and-play convenience as devices and luminaires automatically discover each other and self-commission. nLight AIR is commissioned easily through an intuitive mobile app.

**Lumen Management:** Unique lumen management system (option N80) provides on board intelligence that actively manages the LED light source so that constant lumen output is maintained over the system life, preventing the energy waste created by the traditional practice of over-lighting.

Step-level dimming option allows system to be switched to 50% power for compliance with common energy codes while maintaining fixture appearance.

Driver disconnect provided where required to comply with US and Canadian codes.

**SENSOR — Integrated sensor (individual control):** Sensor Switch MSD7ADCX ((Passive infrared (PIR)) or MSDPD7ADCX ((PIR/Microphonics Dual Tech (PDT)) integrated occupancy sensor/automatic dimming photocell allows the luminaire to power off when the space is unoccupied or enough ambient light is entering the space. See page 4 for more details on the integrated sensor.

**Integrated Sensor (nLight Wired Networking):** This sensor is nLight-enabled, meaning it has the ability to communicate over an nLight network. When wired, using CAT-5 cabling, with other nLight-enabled sensors, power packs, or WallPods, an nLight control zone is created. Once linked to a Gateway, directly or via a Bridge, the zone becomes capable of remote status monitoring and control via SensorView software. See page 4 for the nLight sensor options.

**Integrated Smart Sensor (nLight Air Wireless Platform):** The RES7 sensor is nLight AIR enabled, meaning it has the ability to communicate over the wireless nLight control platform. It is available with an automatic dimming photocell, and either a digital PIR or a microphonics (PDT) dual technology occupancy sensor. It pairs to other luminaires and wall switches through our mobile app, CLAIRITY, which allows for simple sensor adjustment. See page 4 for more details on the Integrated Smart Sensor.

**INSTALLATION** — The BLT's low profile design of only 2-3/8" provides increased installation flexibility especially in restrictive plenum applications. The BLT fits into standard 15/16" and narrow 9/16" T-grid ceiling systems.

Suitable for damp location.

For recessed mounting in hard ceiling applications, Drywall Grid Adapters (DGA) are available as an accessory. See Accessories section.

**LISTINGS** — CSA Certified to meet U.S. and Canadian standards. IC rated.

DesignLights Consortium® (DLC) Premium qualified product. Not all versions of this product may be DLC Premium qualified. Please check the DLC Qualified Products List at [www.designlights.org/QPL](http://www.designlights.org/QPL) to confirm which versions are qualified.

**WARRANTY** — 5-year limited warranty. Complete warranty terms located at: [www.acuitybrands.com/CustomerResources/Terms\\_and\\_conditions.aspx](http://www.acuitybrands.com/CustomerResources/Terms_and_conditions.aspx)

**NOTE:** Actual performance may differ as a result of end-user environment and application.

All values are design or typical values, measured under laboratory conditions at 25 °C.

Specifications subject to change without notice.

Catalog Number
Notes
Type

BLT Series LED

# 2BLT

2' x 4'  
LED



eldoLED



### Specifications

Length: 47-3/4 (121.2)

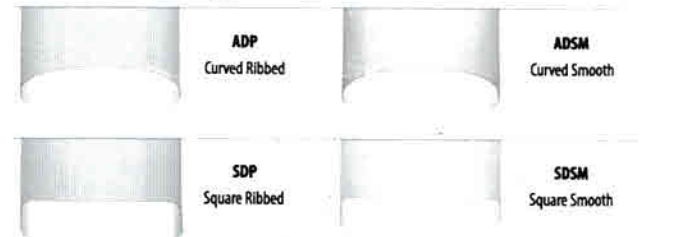
Width: 23-3/4 (60.3)

Depth: 2-3/8 (6.0)

Depth with Air supply/return: 2-3/4 (6.9)

All dimensions are inches (centimeters) unless otherwise specified.

### Multiple Diffuser Options



### A+ Capable Luminaire

This item is an A+ capable luminaire, which has been designed and tested to provide consistent color appearance and out-of-the-box control compatibility with simple commissioning.

- All configurations of this luminaire meet the Acuity Brands' specification for chromatic consistency
- This luminaire is part of an A+ Certified solution for nLight® control networks when ordered with drivers marked by a shaded background\*
- This luminaire is part of an A+ Certified solution for nLight control networks, providing advanced control functionality at the luminaire level, when selection includes driver and control options marked by a shaded background\*

To learn more about A+, visit [www.acuitybrands.com/aplus](http://www.acuitybrands.com/aplus).

\*See ordering tree for details

# 2BLT Volumetric Recessed Lighting 2'x4'

Non-Configurable BLT								
Stock/MTD	Catalog Description *	UPC	Lumens	Wattage	LPW	Color Temperature	Voltage	Pallet Qty
Stock	2BLT4 40L ADP LP835	00190887470789	4000	31	129	3500K/82 CRI	120-277	26
	2BLT4 40L ADP LP840	00190887470765	4063	31	131	4000K/82CRI	120-277	26
	2BLT4 48L ADP LP835	00190887468656	4960	38	131	3500K/82 CRI	120-277	26
	2BLT4 48L ADP LP840	00190887468649	5039	38	133	4000K/82CRI	120-277	26
	2BLT4 40L ADP EL14L LP835	00190887470925	4000	31	129	3500K/82 CRI	120-277	26
	2BLT4 40L ADP EL14L LP840	00190887470918	4063	31	131	4000K/82 CRI	120-277	26
	2BLT4 48L ADP EL14L LP835	00190887468670	4960	38	131	3500K/82 CRI	120-277	26
	2BLT4 48L ADP EL14L LP840	00190887468663	5039	38	133	4000K/82 CRI	120-277	26
MTD	2BLT4 40L ADP 347 LP835		4000	31	129	3500K/82 CRI	347	26
	2BLT4 40L ADP 347 LP840		4063	31	131	4000K/82CRI	347	26
	2BLT4 48L ADP 347 LP835		4960	38	131	3500K/82 CRI	347	26
	2BLT4 48L ADP 347 LP840		5039	38	133	4000K/82CRI	347	26

\*Generic 0-10V Dimming to 10%.

Accessories: Order as separate catalog number.	
DGA24	Drywall grid adapter for 2x4 recessed fixture
2X4SMK	Surface Mount Troffer Kit

nLight® Wired Control Accessories: Order as separate catalog number. Visit <a href="http://www.acuitybrands.com/products/controls/nlight">www.acuitybrands.com/products/controls/nlight</a> .			
<b>WallPod stations</b>	<b>Model number</b>	<b>Occupancy sensors</b>	<b>Model number</b>
On/Off	nPODM [color]	Small motion 360°, ceiling (PIR / dual tech)	nCM 9 RJB / nCM PDT 9 RJB
On/Off & raise/lower	nPODM DX [color]	Large motion 360°, ceiling (PIR / dual tech)	nCM10 RJB / nCM PDT 10 RJB
Graphic touchscreen	nPOD GFX [color]	Wall switch with raise/lower	nWSX PDT LV DX [color]
<b>Photocell controls</b>	<b>Model number</b>	<b>Cat-5 cable (plenum rated)</b>	<b>Model number</b>
Full range dimming	nCM ADCX RJB	10' cable	CATS 10FT J1
		30' cable	CATS 30FT J1

nLight® AIR Control Accessories: Order as separate catalog number. Visit <a href="http://www.acuitybrands.com/products/controls/nlightair">www.acuitybrands.com/products/controls/nlightair</a> .	
<b>Wall switches</b>	<b>Model number</b>
On/Off single pole	rPODB [color] G2
On/Off two pole	rPODB 2P [color] G2
On/Off & raise/lower single pole	rPODB DX [color] G2
On/Off & raise/lower two pole	rPODB 2P DX [color] G2
On/Off & raise/lower single pole	rPODBZ DX WH G2

rCMS						Example: RCMS PDT 10 AR G2	
Series / Detection	Power Supply <sup>1</sup>	Occupancy Detection	Lens (Required)		Operating Mode		Generation
RCMS nLight AIR occupancy and daylight sensor	[blank] Power Supply ordered separately PS 150 Standard 150 mA Power Supply	[blank] PIR Detection PDT Dual Tech PIR/Microphonics	10 Large Motion/ Extended Range 360°	9 Small Motion/ Extended Range 360°	[BLANK] None AR Auxiliary Relay	G2 Generation 2 compatibility	
			6 High Bay 360° Lens				

Replacement Parts: Order as separate catalog number.		
*249P2N	2DBLT48 ADP LENS ASSEMBLY	4 ft. replacement lens
*249P2T	2DBLT48 SDP LENS ASSEMBLY	4 ft. replacement lens
*249P30	2DBLT48 ADSM LENS ASSEMBLY	4 ft. replacement lens
*249P33	2DBLT48 SDSM LENS ASSEMBLY	4 ft. replacement lens
*237LT2	2DBLT48 ADPT LENS ASSEMBLY	4 ft. replacement lens
*237LT4	2DBLT48 SDPT LENS ASSEMBLY	4 ft. replacement lens
*237LT6	2DBLT48 ADSMT LENS ASSEMBLY	4 ft. replacement lens
*237LT8	2DBLT48 SDSMT LENS ASSEMBLY	4 ft. replacement lens
*237LTA	2DBLT48 ADPT SENSOR LENS ASSEMBLY	4 ft. replacement lens
*237MS2	2DBLT48 SDPT SENSOR LENS ASSEMBLY	4 ft. replacement lens
*237M5A	2DBLT48 ADSMT SENSOR LENS ASSEMBLY	4 ft. replacement lens
*237M5L	2DBLT48 SDSMT SENSOR LENS ASSEMBLY	4 ft. replacement lens

**Notes**

- 1 RCMS requires low voltage power from either RPP20 D5 24V G2 or PS150.



# 2BLT Volumetric Recessed Lighting 2'x4'

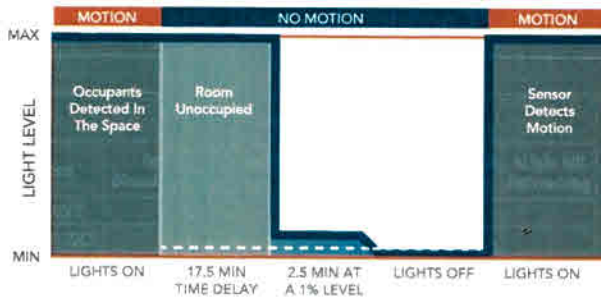
Sensor Options					
Option	Automatic Dimming Photocell	Occupancy Sensing		nLight Wired Networking	nLight AIR Networking
		PIR	PDT		
MSD7ADCX	X	X			
MSDPDT7ADCX	X		X		
NES7		X		X	
NES7ADCX	X	X		X	
NESPD7			X	X	
NESPD7ADCX	X		X	X	
RES7	X	X			X
RESPDT7	X	X	X		X

### Integrated Sensor with Individual Control

The MSD7ADCX PIR occupancy sensor/automatic dimming photocell is ideal for areas without obstructions and where daylight harvesting may be desired. Suggested applications include, but not limited to, hallways, corridors, storage rooms, and breakrooms or other areas where people are typically moving.

The MSDPDT7ADCX PIR/Microphonics Dual Tech occupancy sensor/automatic dimming photocell is ideal for areas with obstructions and where daylight harvesting is desired. Suggested applications include, but not limited to, open offices, private offices, classrooms, public restrooms, and conference rooms.

### Sequence of Operation

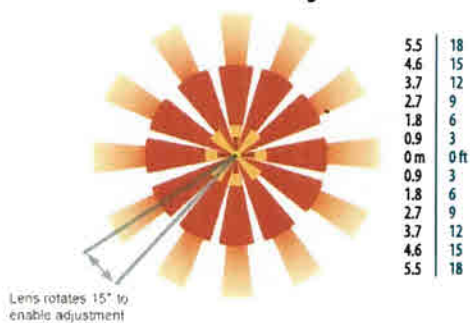


\*The presetting on the automatic dimming photocell is 5fc.

### Sensor Coverage Pattern Mini 360° Lens

- Recommended for walking motion detection from mounting heights between 8 ft (2.44 m) and 20 ft (6.10 m)
- Initial detection of walking motion along sensor axes at distances of 2x the mounting height up to 15 ft (4.57 m) and
- 1.75x up to 20 ft (6.10 m).
- Provides 12 ft (3.66 m) radial detection of small motion when mounted at 9 ft (2.74 m)
- Initial detection will occur earlier when walking across sensor's field of view than when walking directly at sensor

### 9 FT Mounting



### Simple as 1,2,3

1. Install the nLight® AIR fixtures with embedded smart sensor
2. Install the wireless battery-powered wall switch
3. With CLAIRITY app, pair the fixtures with the wall switch and if desired, customize the sensor settings for the desired outcome



nLight AIR -PQDB 2P DX

Mobile Device

### Basic nLight Zone

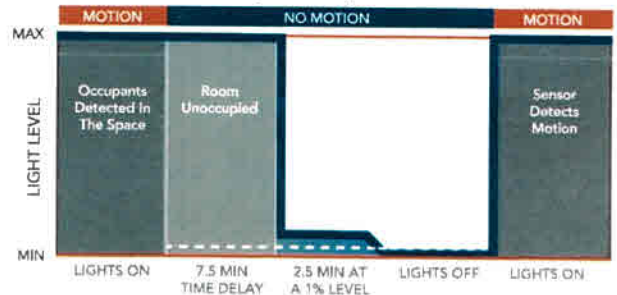


### nLight Wired Networking

The nES 7 is ideal for small rooms without obstructions or areas with primarily walking motion. Ideal areas include hallways, corridors, storage rooms, and breakrooms. Additionally, the NES7ADCX includes an integrated photocell, which enables daylight harvesting controls.

For areas like restrooms, private offices, open offices, conference rooms or any space with obstructions, the nES PDT 7 dual technology sensor is recommended. The nES PDT 7 utilizes both PIR (passive infrared) and Microphonics technologies to detect occupancy. Additionally, the NESPD7ADCX includes an integrated photocell, which enables daylight harvesting controls which is ideal for areas where windows are present.

### Sequence of Operation

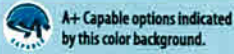


\*The presetting on the automatic dimming photocell is 5fc.

### nLight AIR Wireless

nLight AIR is the ideal solution for retrofit or new construction spaces where adding additional wiring can be labor intensive and nLight AIR is available with or without an integral sensor. Integrated RES7 or RES7PDT smart sensors are part of each luminaire in the nLight AIR network, which can be grouped to control multiple luminaires. The granularity of control with the digital PIR occupancy detection and daylight sensing makes a great solution for any application.

# 2BLT Volumetric Recessed Lighting 2'x4'



A+ Capable options indicated by this color background.

## ORDERING INFORMATION

Lead times will vary depending on options selected. Consult with your sales representative.

Example: 2BLT4 40L ADP E71 LP840

2BLT4		Air function		Lumens <sup>2</sup>		Diffuser		Voltage		Driver		Color temperature	
2BLT4	2x4 BLT	(blank) Static A Air supply/ return <sup>1</sup>		<b>Standard efficiency (&gt;100 LPW)</b>	<b>High efficiency<sup>3,4</sup> (&gt;130 LPW)</b>	ADP Curved, linear prisms ADSM Curved, smooth SDP Square, linear prisms SDSM Square, smooth <b>Includes trim rings to match sensored version</b> ADPT Curved, linear prisms ADSMT Curved, smooth SDPT Square, linear prisms SDSMT Square, smooth		(blank) MVOLT 120 120V 277 277V 347 347V <sup>5</sup>		EZ1 eldoLED dims to 1% (0-10 volt dimming) GZ1 Dims to 1% (0-10V dimming) <sup>6</sup> GZ10 Dims to 10% (0-10V dimming) <sup>6</sup> SLD Step-level dimming <sup>6</sup>		LP830 82CRI, 3000 K LP835 82CRI, 3500 K LP840 82CRI, 4000 K LP850 82CRI, 5000 K LP930 90CRI, 3000K LP935 90CRI, 3500K LP940 90CRI, 4000K LP950 90CRI, 5000K	
				30L 3000 40L 4000 48L 4800 60L 6000 72L 7200 85L 8500 100L 10000 120L 12000	30LHE 3000 40LHE 4000 48LHE 4800 60LHE 6000 72LHE 7200 85LHE 8500								

nLight Interface		Control <sup>12</sup>		Options	
<b>nLight Wired</b>		<b>nLight Wired</b>		<b>Individual Control</b>	
(blank) no nLight <sup>®</sup> interface		(blank) No sensor control		MSD7ADCX PIR integral occupancy sensor with automatic dimming control photocell <sup>7,13</sup>	EL7L 700 lumen battery pack (non-CEC compliant) <sup>14</sup>
N80 nLight with 80% lumen management		NES7 nLight™ nES 7 PIR integral occupancy sensor <sup>12</sup>		MSDPDT7ADCX PDT integral occupancy sensor with automatic dimming control photocell <sup>7,13</sup>	EL14L 1400 lumen battery pack (non-CEC compliant) <sup>14</sup>
N80EMG nLight with 80% lumen management For use with generator supply EM power <sup>9</sup>		NESPDT7 nLight™ nES PDT 7 dual technology integral occupancy control <sup>12</sup>			EL14LSD 1400 lumen battery pack with self-diagnostic testing feature (non-CEC compliant) <sup>14,15</sup>
N100 nLight without lumen management		NES7ADCX nLight™ nES 7 ADCX PIR integral occupancy sensor with automatic dimming photocell <sup>12</sup>			E10WLCP EM Self-Diagnostic battery pack, 10W Constant Power, CEC compliant <sup>14</sup>
N100EMG nLight without lumen management For use with generator supply EM power <sup>9</sup>		NESPDT7ADCX nLight™ nES PDT 7 dual technology integral occupancy sensor with automatic dimming photocell <sup>12</sup>			CP Chicago plenum <sup>16</sup>
<b>nLight Wireless</b>		<b>nLight Wireless</b>			CP Bodine Generator Transfer Device <sup>17</sup>
(blank) no nLight <sup>®</sup> interface		RES7 nLight AIR PIR integral occupancy sensor with automatic dimming photocell for Networking Capabilities <sup>13</sup>			BGTD 6' pre-wire, 3/8" diameter, 18 gauge, 1 circuit
NLTAIR2 nLight AIR Generation 2 enabled <sup>18</sup>		RES7PDT nLight AIR microphonics dual technology occupancy sensor with automatic dimming photocell <sup>13</sup>			PWS1836 6' pre-wire, 3/8" diameter, 18 gauge, 2 circuit
		RIO nLight AIR radio module without sensor			PWS1846 6' pre-wire, 3/8" diameter, 18 gauge, 2 circuit
					PWS1846 PWSLV Two cables: one 6' pre-wire, 3/8" diameter, 18 gauge, 2 circuits; one 6' pre-wire, 3/8" diameter, 18 gauge, purple and gray <sup>18</sup>
					PWS1856LV 6' pre-wire, 3/8" diameter, 18 gauge, 1 circuit w/low voltage purple and grey wires <sup>18</sup>
					GLR Fast-blowing fuse <sup>19</sup>
					GMF Slow-blowing fuse <sup>19</sup>
					NPLT Narrow pallet
					RRL_ RELOC™-ready luminaire <sup>20</sup>
					LATC Earthquake clip
					DWAM Anti-Microbial paint
					JP16 Job packaging
					IP5X Gasketed diffuser compartment to meet IP5X rating <sup>21</sup>

Accessories next page

### Notes

- Consult factory for airflow data.
- Approximate lumen output.
- All versions may not achieve 130+ LPW. Refer to photometry on [www.acuitybrands.com](http://www.acuitybrands.com).
- Air supply/return option, 90 CRI, and versions with integral sensor trim rings may not achieve 130 LPW.
- Not available with SLD, EL7L, EL14L, or E10WLCP options.
- GZ1 and GZ10 not available with any Control or Sensor options
- Not available with N80, N80EMG, N100, N100EMG, NLTAIR, or occupancy control.

- Not available with controls, occupancy controls, or PWS options. Consult factory for Hi-Lume dimming.
- nLight EMG option requires a connection to existing nLight network. Power is provided from a separate N80 or N100 enabled fixture.
- Must order with RES7, RES7PDT, or RIO module. Only available with EZ1 driver. Not available with 85L, 100L, or 120L options.
- Must specify diffuser with trim rings. See sensor options on page 4.
- Requires N80, N80EMG, N100, or N100EMG.
- Only available with EZ1 driver option. 0-10v dimming wires not accessible via access plate.
- When using pre-wire option, use PWS1846 or PWS1846 PWSLV.

- For more information, please see the [PSSD2 specification sheet](#).
- Not available with N80, N80EMG, N100, or N100EMG.
- Must specify voltage. Requires BSE labeling, voltage specific. Consult factory for options.
- Not available with nLight wired/wireless network or individual controls.
- Must specify voltage, 120 or 277, with GLR and GMF fusing.
- For ordering logic consult [RRL\\_2013](#).
- Not available with air supply/return or Wired Networking (NES\_) and Individual Control (MSD\_) sensors.

## 2BLT Volumetric Recessed Lighting 2'x4'

Performance Data					
Material	Lumens	LPW	Watts	DLC Listing	DLC ID
2BLT4 30L ADP EZ1 (GZ1, GZ10) LP835 (ALL OPTIONS)	2962.0	127.3	23.3	Premium	PWJDEMHS
2BLT4 30L ADPT EZ1 (GZ1, GZ10) LP835 (ALL OPTIONS)	2828.0	123.3	22.9	Premium	PX3HLIFK
2BLT4 30L ADP EZ1 (GZ1, GZ10) LP840 (ALL OPTIONS)	3009.3	129.3	23.3	Premium	P18J5GLD
2BLT4 30L ADPT EZ1 (GZ1, GZ10) LP840 (ALL OPTIONS)	2969.2	127.6	23.3	Premium	P3HB2XSG
2BLT4 40L ADP LP835	4000.0	126.2	31.7	Premium	PV1X7BV6
2BLT4 40L ADP EZ1 (GZ1, GZ10) LP835 (ALL OPTIONS)	4000.0	126.2	31.7	Premium	PDWKYXFD
2BLT4 40L ADP LP835	4000.0	126.2	31.7	Premium	PV1X7BV6
2BLT4 40L ADP EZ1 (GZ1, GZ10) LP835 (ALL OPTIONS)	4000.0	126.2	31.7	Premium	PDWKYXFD
2BLT4 40L ADPT EZ1 (GZ1, GZ10) LP835 (ALL OPTIONS)	3946.7	124.5	31.7	Premium	PS63CPK6
2BLT4 40L ADP LP840	4063.9	128.2	31.7	Premium	P7GINP7R
2BLT4 40L ADP EZ1 (GZ1, GZ10) LP840 (ALL OPTIONS)	4063.9	128.2	31.7	Premium	PEYXAZWD
2BLT4 40L ADPT EZ1 (GZ1, GZ10) LP840 (ALL OPTIONS)	4009.7	126.5	31.7	Premium	PK79UR9W
2BLT4 48L ADP LP835	4960.0	130.5	38.0	Premium	PFRUJ4KY
2BLT4 48L ADP EZ1 (GZ1, GZ10) LP835 (ALL OPTIONS)	4960.0	130.5	38.0	Premium	PJ9CK6C1
2BLT4 48L ADPT EZ1 (GZ1, GZ10) LP835 (ALL OPTIONS)	4893.9	128.8	38.0	Premium	PPFKZU3U
2BLT4 48L ADP LP840	5039.2	132.6	38.0	Premium	P3SXAERT
2BLT4 48L ADP EZ1 (GZ1, GZ10) LP835 (ALL OPTIONS)	4960.0	130.5	38.0	Premium	PJ9CK6C1
2BLT4 48L ADPT EZ1 (GZ1, GZ10) LP835 (ALL OPTIONS)	4893.9	128.8	38.0	Premium	PPFKZU3U
2BLT4 60L ADP EZ1 (GZ1, GZ10) LP835 (ALL OPTIONS)	6016.0	126.4	47.6	Premium	PSJ6QERM
2BLT4 60L ADPT EZ1 (GZ1, GZ10) LP835 (ALL OPTIONS)	5935.8	124.7	47.6	Premium	PHT84B4
2BLT4 60L ADP EZ1 (GZ1, GZ10) LP840 (ALL OPTIONS)	6112.0	128.4	47.6	Premium	PVXQXPV
2BLT4 60L ADPT EZ1 (GZ1, GZ10) LP840 (ALL OPTIONS)	6030.6	126.7	47.6	Premium	PXV55BC8

DLC information is subject to change, for the most up-to-date information please refer to [www.dlc.org](http://www.dlc.org). Above listings do not cover 347v or SLD.

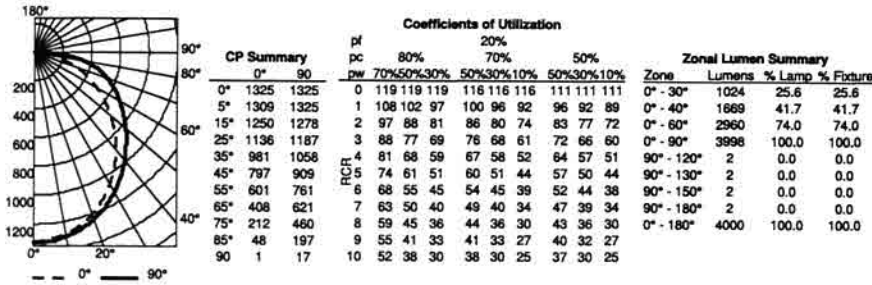
HE Performance Data					
Material	Lumens	LPW	Watts	DLC Listing	DLC ID
2BLT4 30LHE ADP EZ1 (GZ1, GZ10) LP835 (ALL OPTIONS)	3107.0	135.2	23.0	Premium	P7KEICW5
2BLT4 30LHE ADPT EZ1 (GZ1, GZ10) LP835 (ALL OPTIONS)	3065.6	133.4	23.0	Premium	P7PZAJDZ
2BLT4 30LHE ADP EZ1 (GZ1, GZ10) LP840 (ALL OPTIONS)	3156.6	137.3	23.0	Premium	PDOM06BH
2BLT4 30LHE ADPT EZ1 (GZ1, GZ10) LP840 (ALL OPTIONS)	3114.5	135.5	23.0	Premium	P2N23EBP
2BLT4 40LHE ADP EZ1 (GZ1, GZ10) LP835 (ALL OPTIONS)	4085.0	138.6	29.5	Premium	P67P655Y
2BLT4 40LHE ADPT EZ1 (GZ1, GZ10) LP835 (ALL OPTIONS)	4030.5	136.7	29.5	Premium	PC15DQEC
2BLT4 40LHE ADP EZ1 (GZ1, GZ10) LP840 (ALL OPTIONS)	4150.0	140.8	29.5	Premium	P95UQD66
2BLT4 40LHE ADPT EZ1 (GZ1, GZ10) LP840 (ALL OPTIONS)	4094.9	138.9	29.5	Premium	PGRC5J2T
2BLT4 48LHE ADP EZ1 (GZ1, GZ10) LP835 (ALL OPTIONS)	4770.0	138.2	34.5	Premium	PXBJBG8
2BLT4 48LHE ADPT EZ1 (GZ1, GZ10) LP835 (ALL OPTIONS)	4706.4	136.3	34.5	Premium	P2NK2H33
2BLT4 48LHE ADP EZ1 (GZ1, GZ10) LP835 (ALL OPTIONS)	4770.0	138.2	34.5	Premium	PXBJBG8
2BLT4 48LHE ADPT EZ1 (GZ1, GZ10) LP835 (ALL OPTIONS)	4706.4	136.3	34.5	Premium	P2NK2H33
2BLT4 60LHE ADP EZ1 (GZ1, GZ10) LP835 (ALL OPTIONS)	5894.0	135.1	43.6	Premium	PQZN176R
2BLT4 60LHE ADPT EZ1 (GZ1, GZ10) LP835 (ALL OPTIONS)	5815.4	133.3	43.6	Premium	PZ72TAWM
2BLT4 60LHE ADP EZ1 (GZ1, GZ10) LP840 (ALL OPTIONS)	5988.1	137.3	43.6	Premium	PG5CYJUC
2BLT4 60LHE ADPT EZ1 (GZ1, GZ10) LP840 (ALL OPTIONS)	5908.3	135.5	43.6	Premium	PRC4W72B

DLC information is subject to change, for the most up-to-date information please refer to [www.dlc.org](http://www.dlc.org). Above listings do not cover 347v or SLD.

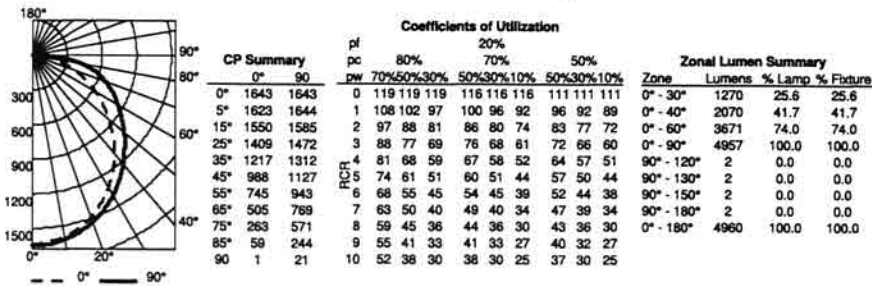
# 2BLT Volumetric Recessed Lighting 2'x4'

## PHOTOMETRICS

2BLT4 40L ADP LP835, 4000 delivered lumens, test no. ISF36900P109, tested in accordance to IESNA LM-79

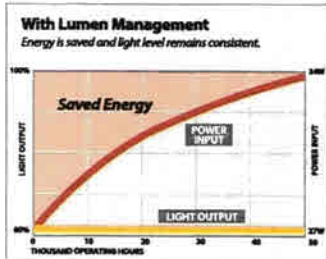
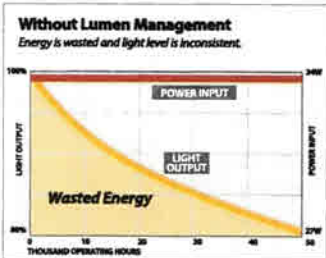


2BLT4 48L ADP LP835, 4960 delivered lumens, test no. ISF 36900P117, tested in accordance to IESNA LM-79



### Constant Lumen Management

Enabled by the embedded nLight control, the BLT actively tracks its run-time and manages its light source such that constant lumen output is maintained over the system life. Referred to as lumen management, this feature eliminates the energy waste created by the traditional practice of over-lighting.



### How to Estimate Delivered Lumens in Emergency Mode

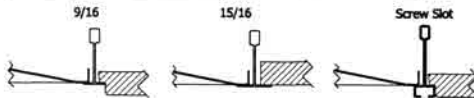
Use the formula below to estimate the delivered lumens in emergency mode

$$\text{Delivered Lumens} = 1.25 \times P \times \text{LPW}$$

P = Output power of emergency driver. P = 10W for E10WLCP option.

LPW = Lumen per watt rating of the luminaire. This information is available on the ABL luminaire spec sheet. LPW = Lumen per watt rating of the luminaire. LPW information available in Performance Data section.

MOUNTING DATA	
Ceiling Type	Appropriate Trim Type
Exposed grid tee (1" and 9/16")	G
Concealed grid tee	G
Plaster or plasterboard	G*



\*DGA accessory available to provide ceiling trim flange and fixture support for plaster or plasterboard ceiling. Recommended rough-in dimensions for DGA installation is 24-3/4" x 48-3/4" (Tolerance is +1/8", -0").



# ACPOLED Series American Compact LED Floodlight

## PRODUCT OVERVIEW



### Applications:

Auto dealerships  
Schools  
Churches  
Industrial sites

Shopping centers  
Parking lots  
Substations  
Building facades

### Features:

#### Mechanical

Low copper content die cast aluminum housings has integral heat sink fins to optimize thermal management through conductive and convective cooling. Bolted or optional stainless steel latch disengages electrical cover for easy access to LED driver, surge protection, and terminal block.

Luminaire is vibration rated to 3G per ANSI C136.31-2001 and rated IP66 per IEC60068-2-3.

Rigorous five-stage pre-treating and painting process yields a finish that achieves a scribe creepage rating of 8 (per ASTM D1654) after over 5,000 hours exposure to salt fog chamber per ASTM B117.

Yoke shall be painted steel or galvanized steel. Knuckle mount shall be adjustable to fit 2-3/8 inch to 2-7/8 inch tenon.

#### Electrical

LED light engine is rated for > 100,000 hours at 25C, L70. Electronic driver has an expected life of 100,000 hours at a 25C ambient.

Robust surge protection: 20kV/10kA surge protection per ANSI C136.2 is the default, with 10kV/5kA surge optional.

Driver power factor is 90% minimum. Driver meets maximum total harmonic distortion (THD) of 20% and is ROHS compliant.

0-10V continuous dimming functionality is standard. Step dimming is available with the DALI driver option. Dimming control can be accomplished via AO, RSBOR options integrally or via photocontrol installed on P7 receptacle option.

#### Optical

Three multi-die LED's combined with highly specular reflectors provide superior field to beam ratios, uniformity, and spacing.

NEMA optical pattern choice of medium flood (4X4), flood (5x5) wide flood (6x6), and wide flood rectangle (6x5). The luminaire is available with 3000K, 4000K, and 5000K CCT with minimum CRI of 70.

Optional shielding available to control light trespass and uplight. Optical enclosure shall be glass lens.

#### Controls

3 pin and 7 pin rotatable NEMA photocontrol receptacles available.

Optional premium solid state locking- style photocontrol – DSS (10 year rated life).

Optional extreme long life solid state locking –style photocontrol – DLL (20 year rated life).

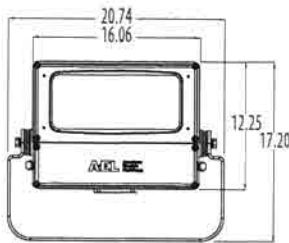
Optional onboard adjustable output module (AO) allows the light output and input wattage to be modified to meet site specific requirements.

#### Standards

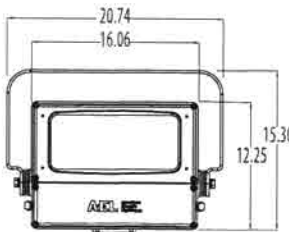
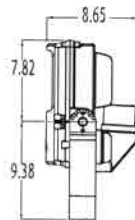
Suitable for ambient temperature -40C to 40C.

CSA Certified to U.S. and Canadian standards.

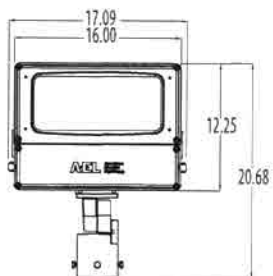
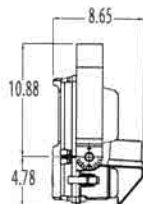
DesignLights Consortium® (DLC) Premium qualified product. Not all versions of this product may be DLC Premium qualified. Please check the DLC Qualified Products List at [www.designlights.org/QPL](http://www.designlights.org/QPL) to confirm which versions are qualified.



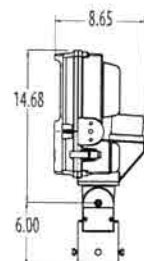
YK/YG - Yoke Mount Luminaire EPA of 1.76 Ft<sup>2</sup> and max weight 30 lbs.



YE - Extended Yoke Mount Luminaire EPA of 1.76 Ft<sup>2</sup> and max weight 31 lbs.



TM/TS - Tenon Mount Luminaire EPA of 1.89 Ft<sup>2</sup> and max weight 28 lbs.





# ACPOLED Series

## American Compact LED Floodlight

### PERFORMANCE PACKAGES

Performance Package	Distribution	Input Watts	3K (3000K CCT, 70 CRI)		4K (4000K CCT, 70 CRI)		5K (5000K CCT, 70 CRI)		LLD @ 25°C		
			Lumens	LPW	Lumens	LPW	Lumens	LPW	50k Hours	75k Hours	100k Hours
P05	44	37	5,441	147	5,548	150	5,648	153	0.92	0.89	0.85
	55		5,677	153	5,789	156	5,893	159			
	65		5,248	142	5,351	145	5,448	147			
	66		5,539	150	5,649	153	5,751	155			
P10	44	52	7,271	140	7,414	143	7,548	145	0.92	0.89	0.85
	55		7,586	146	7,736	149	7,876	151			
	65		7,013	135	7,151	138	7,280	140			
	66		7,403	142	7,548	145	7,685	148			
P20	44	83	12,135	138	12,374	141	12,598	143	0.92	0.89	0.85
	55		12,663	144	12,912	147	13,145	149			
	65		11,705	133	11,936	136	12,152	138			
	66		12,356	140	12,599	143	12,827	146			
P30	44	123	17,391	141	17,733	144	18,054	147	0.92	0.89	0.85
	55		18,146	148	18,503	150	18,838	153			
	65		16,774	136	17,104	139	17,414	142			
	66		17,707	144	18,055	147	18,382	149			
P40	44	154	21,540	138	21,965	141	22,362	143	0.92	0.89	0.85
	55		22,476	144	22,919	147	23,333	150			
	65		20,777	133	21,186	136	21,569	138			
	66		21,932	141	22,364	143	22,768	146			
P50	44	201	26,719	133	27,245	136	27,738	138	0.92	0.89	0.85
	55		27,878	139	28,428	141	28,942	144			
	65		25,771	128	26,278	131	26,754	133			
	66		27,204	135	27,740	138	28,241	141			
P60	44	254	32,284	127	32,920	130	33,515	132	0.92	0.89	0.85
	55		33,685	133	34,349	135	34,970	138			
	65		31,138	123	31,752	125	32,326	127			
	66		32,870	129	33,517	132	34,123	134			



AEL Headquarters, 3825 Columbus Road, Granville, OH 43023  
www.americanelectriclighting.com

© 2016-2021 Acuity Brands Lighting, Inc. All Rights Reserved. ACP0LED Rev. 06/25/21

**Warranty** Five-year limited warranty. Complete warranty terms located at: <https://www.acuitybrands.com/support/customer-support/terms-and-conditions>  
Actual performance may differ as a result of end-user environment and application. All values are design or typical values, measured under laboratory conditions at 25 °C. Specifications subject to change without notice.

*Please contact your sales representative for the latest product information.*

# ACPOLED Series

## American Compact LED Floodlight

### OPTIONS MATRIX

ACPOLED		LED Packages						Voltage				Options									
		P05	P10	P20	P30	P40	P50	P60	MVOLT	347	480	XVOLT	P7	P3	NR	PCLL	PCSS	xRSBOR	SH	AO	DL
LED Packages	P05							Y	Y	Y	Y	Y	Y	Y	Y	Y	Y	Y	Y	Y	Y
	P10							Y	Y	Y	Y	Y	Y	Y	Y	Y	Y	Y	Y	Y	Y
	P20							Y	Y	Y	Y	Y	Y	Y	Y	Y	Y	Y	Y	Y	Y
	P30							Y	Y	Y	Y	Y	Y	Y	Y	Y	Y	Y	Y	Y	Y
	P40							Y	Y	Y	Y	Y	Y	Y	Y	Y	Y	Y	Y	Y	Y
	P50							Y	N	N	N	Y	Y	Y	Y	Y	Y	Y	Y	Y	N
	P60							Y	N	N	N	Y	Y	Y	Y	Y	Y	Y	Y	Y	N
Voltage	MVOLT	Y	Y	Y	Y	Y	Y					Y	Y	Y	Y	Y	Y	Y	Y	Y	
	347	Y	Y	Y	Y	Y	N	N				Y	Y	Y	Y	N	Y	Y	Y	Y	
	480	Y	Y	Y	Y	Y	N	N				Y	Y	Y	N	N	Y	Y	Y	Y	
	XVOLT	Y	Y	Y	Y	Y	N	N				Y	Y	Y	Y	N	Y	Y	Y	Y	
Options	P7	Y	Y	Y	Y	Y	Y	Y	Y	Y	Y		N	N	Y	Y	N	Y	Y	Y	
	P3	Y	Y	Y	Y	Y	Y	Y	Y	Y	Y	N		N	Y	Y	N	Y	Y	Y	
	NR	Y	Y	Y	Y	Y	Y	Y	Y	Y	Y	N	N		N	N	Y	N	Y	Y	
	PCLL	Y	Y	Y	Y	Y	Y	Y	Y	Y	Y	N	Y	N		N	N	N	Y	Y	
	PCSS	Y	Y	Y	Y	Y	Y	Y	Y	N	N	N	Y	Y	N	N		N	N	Y	Y
	xRSBOR	Y	Y	Y	Y	Y	Y	Y	Y	Y	Y	Y	N	N	Y	N	N		N	N	N
	SH	Y	Y	Y	Y	Y	Y	Y	Y	Y	Y	Y	Y	Y	N	N	N	N		Y	Y
	AO	Y	Y	Y	Y	Y	Y	Y	Y	Y	Y	Y	Y	Y	Y	Y	Y	N	Y		N
	DL	Y	Y	Y	Y	Y	N	N	Y	Y	Y	Y	Y	Y	Y	Y	Y	N	Y	N	

### ELECTRICAL LOAD

Performance Package	Watts	Current (A)					
		120V	208V	240V	277V	347V	480V
P05	37	0.307	0.176	0.154	0.135	0.104	0.079
P10	52	0.417	0.238	0.207	0.18	0.143	0.105
P20	83	0.694	0.405	0.358	0.315	0.245	0.18
P30	123	0.995	0.574	0.501	0.442	0.349	0.254
P40	154	1.266	0.727	0.633	0.551	0.443	0.32
P50	201	1.69	0.96	0.84	0.74		
P60	254	2.31	1.33	1.15	0.999		

### Luminaire Ambient Temperature Factor

0°C	15°C	25°C	35°C	40°C
1.03	1.01	1.00	0.99	0.98



AEL Headquarters, 3825 Columbus Road, Granville, OH 43023  
www.americanelectriclighting.com

© 2016-2021 Acuity Brands Lighting, Inc. All Rights Reserved. ACP0LED Rev. 06/25/21

**Warranty** Five-year limited warranty. Complete warranty terms located at: <https://www.acuitybrands.com/support/customer-support/terms-and-conditions>  
Actual performance may differ as a result of end-user environment and application. All values are design or typical values, measured under laboratory conditions at 25 °C. Specifications subject to change without notice.

*Please contact your sales representative for the latest product information.*

# ACPOLED Series

## American Compact LED Floodlight

### ORDERING INFORMATION

ACPOLED	P50	MVOLT	66	
Series	LED Performance Package	Voltage	Optics	Color Temperature
<b>ACPOLED</b>	<b>P05</b> 5,600 lumens <b>P10</b> 7,500 lumens <b>P20</b> 12,800 lumens <b>P30</b> 18,000 lumens <b>P40</b> 22,500 lumens <b>P50</b> 27,700 lumens <b>P60</b> 33,500 lumens	<b>MVOLT</b> Multiple voltage (120V - 277V) <b>347</b> 347V <b>480</b> 480V <b>XVOLT</b> 277V-480V	<b>44</b> Medium Flood (4x4) <b>55</b> Flood (5x5) <b>66</b> Wide Flood (6x6) <b>65</b> Wide Flood Rectangle (6x5)	<b>Blank</b> 4000K CCT <b>3K</b> 3000K CCT <b>5K</b> 5000K CCT
YK	BZ		NR	04
Mounting Methods	Color	Surge Protection	Options/Controls	Cord Length
<b>TM</b> Tenon Slipfitter - knuckle (cord/leads exit bottom slipfitter) <b>TS</b> Tenon Slipfitter - knuckle (cord exit side of slipfitter) <b>YK</b> Yoke Painted Steel <b>YE</b> Yoke Painted Steel Extended Length <b>YG</b> Yoke Galvanized Steel	<b>Blank</b> Gray Paint <b>BK</b> Black Paint <b>BZ</b> Bronze Paint <b>GI</b> Graphite Paint <b>WH</b> White Paint	<b>Blank</b> default: 20kV/10kA w/Indicator Light Extreme Surge (fail off) <b>MP</b> 10kV/5kA MOV (fail on)	<b>Blank</b> 3 pin rotatable NEMA receptacle <b>P7</b> 7 pin rotatable NEMA receptacle <b>NR</b> No PER receptacle <b>PCLL</b> Solid State Long Life Photocontrol <b>PCSS</b> Solid State Photocontrol <b>HRSBOR</b> <sup>1</sup> nLight Air Occ. and daylight sensor (15-30 ft) <b>LRSBOR</b> <sup>1</sup> nLight Air Occ. and daylight sensor (8-15 ft) <b>SH</b> Shorting Cap <b>AO</b> Field Adjustable Output <b>DL</b> DALI Driver - Consult Factory	<b>04</b> 4 ft cord length <b>05</b> 5 ft cord length <b>06</b> 6 ft cord length <b>08</b> 8 ft cord length <b>10</b> 10 ft cord length
43				
Cord Type	Miscellaneous		Accessories (Shipped Separately)	
<b>23</b> 12 gage, 3 conductor <b>43</b> 14 gage, 3 conductor <b>63</b> 16 gage, 3 conductor	<b>TL</b> Tool-less entry with latches <b>NL</b> Nema Label <b>XL</b> No terminal block cover and not certified		<b>ACPOLEDFV-BK</b> Full Visor - Black Paint <b>ACPOLEDFV-BZ</b> Full Visor - Bronze Paint <b>ACPOLEDFV-GH</b> Full Visor - Graphite Paint <b>ACPOLEDFV-GY</b> Full Visor - Gray Paint <b>ACPOLEDFV-WH</b> Full Visor - White Paint <b>ACPOLEDUBV-BK</b> Upper/Bottom Visor - Black Paint <b>ACPOLEDUBV-BZ</b> Upper/Bottom Visor - Bronze Paint <b>ACPOLEDUBV-GH</b> Upper/Bottom Visor - Graphite Paint <b>ACPOLEDUBV-GY</b> Upper/Bottom Visor - Gray Paint <b>ACPOLEDUBV-WH</b> Upper/Bottom Visor - White Paint <b>ACPOLEDVG</b> Vandal Guard <b>ACPOLEDWG</b> Wire Guard	

Note: Check the OPTIONS MATRIX on Page 3 for compatibility & restrictions

1. Requires TS mount selection.



AEL Headquarters, 3825 Columbus Road, Granville, OH 43023  
www.americanelectriclighting.com

© 2016-2021 Acuity Brands Lighting, Inc. All Rights Reserved. ACPOLED Rev. 06/25/21

**Warranty** Five-year limited warranty. Complete warranty terms located at: <https://www.acuitybrands.com/support/customer-support/terms-and-conditions>  
Actual performance may differ as a result of end-user environment and application. All values are design or typical values, measured under laboratory conditions at 25 °C. Specifications subject to change without notice.

*Please contact your sales representative for the latest product information.*

**CODE NUMBER**

3400100

**DESCRIPTION**

1.6 gpf, Polished Chrome Finish, Fixture Connection Top Spud, Single Flush, Electrical Override, Battery, TruFlush Concealed Sensor Water Closet Flushometer.

**DETAILS**

- Flush Volume: 1.6 gpf (6.0 Lpf)
- Finish: Polished Chrome (CP)
- Power Type: Battery ( )
- Battery Life: 5 years
- Valve: Piston
- Valve Body Material: Semi-red Brass
- Fixture Type: Water Closet
- Fixture Connection: Top Spud
- Override: Electrical (OR)

does work with concealed rear spud connection

**FEATURES**

- Piston color-coded by flush volume for easy identification
- Corrosion-resistant, vandal resistant wall plate
- Self-adaptive Infrared Sensor with Lobular Sensing Fields for accurate target detection
- Electronic Courtesy Flush® Override Button
- Four (4) Size AA alkaline Batteries included
- “Low Battery” Flashing LED
- Ability to hardwire with battery backup
- Initial target detection Indicator Light (first 10 minutes)
- Flood prevention feature limits flow to a trickle in wide open position
- Heavy duty brass valve body
- Safety collar locks activation assembly to prevent access of internal components without shutting off water
- Replaceable piston assembly, accessible by removing front wall plate
- Concealed shut off sleeve adjusts flow rate
- 1-1/2” NPT (female) Inlet standard
- 1-1/2” NPSM Outlet standard
- Fixed Volume Piston with Filtered O-ring Bypass

**VIDEOS**

- TruFlush
- TruFlush Installation
- TruFlush Maintenance
- TruFlush Flush Line



**COMPLIANCES & CERTIFICATIONS**



ADA Compliant, cUPC Certified (Requires use of listed vacuum breaker that complies with ASSE 1001), EPD

**RECOMMENDED SPECIFICATION**

Valve shall be concealed with front access wall plate smaller than 7” x 7” and shall have integrated control stop. Valve shall be in compliance with ASTM Alloy Classification for Semi-Red Brass.

**ELECTRICAL SPECIFICATIONS**

- Arming Delay: 8 seconds
- Battery Life: 5 years
- Control Circuit: 6 VDC Input/Solid State
- Flush Delay: 3s
- Self-Adaptive Window: ±12
- Sensor Range: 22”-46” (559-1,168mm)
- Solenoid Operator: 6 VAC
- Transformers:
  - EL-386 (Up to 1 flushometer)
  - EL-451 (up to 6 flushometers)

**VALVE OPERATING PRESSURE (FLOWING)**

15-80 PSI (103-552 kPa). Specific fixtures may require greater minimum flowing pressure - consult manufacturer requirements.

**DOWNLOADS**

- [TruFlush Sensor Installation Instructions](#)
- [TruFlush Sensor Installation Instructions \(Spanish\)](#)
- [TruFlush Sensor Repair and Maintenance Guide](#)
- [Additional Downloads](#)

**NOTES**

All information contained within this document subject to change without notice.

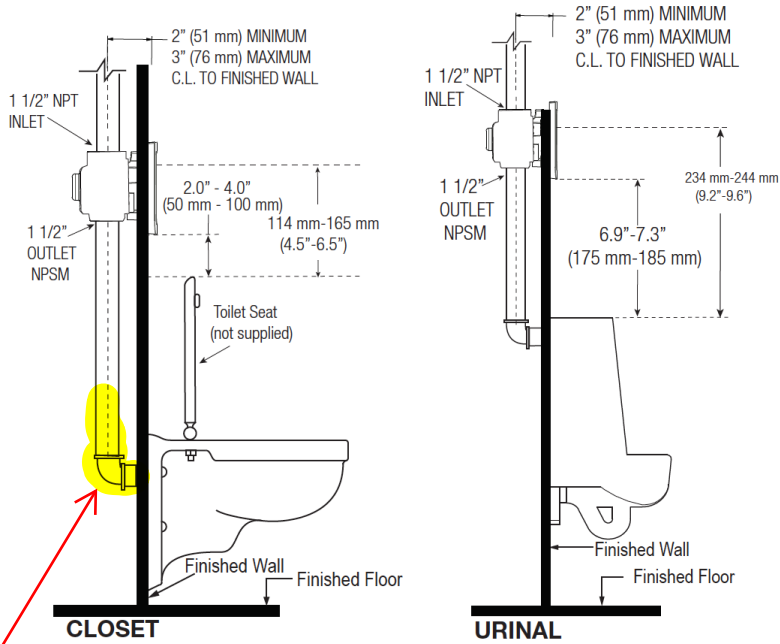
Looking for other variations of the TRF 8156 product? [View the general spec sheet with all options.](#)

**Sloan 10500 Seymour Ave, Franklin Park, IL 60131**

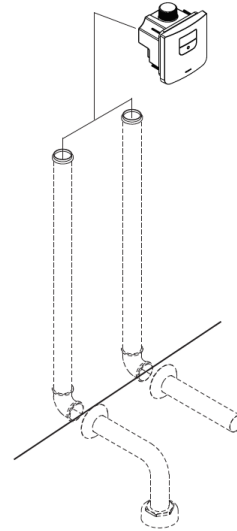
Phone: 800.982.5839 • Fax: 800.447.8329 • [sloan.com](http://sloan.com)

Find a compatible urinal for this flushometer.  
Find a compatible water closet for this flushometer.

**ROUGH-IN**



NOTE : Flush Connections shown in dotted lines not included.



rear spud connection

**CODE NUMBER**

3873073

**DESCRIPTION**

Vitreous China Wall-Mounted Backsplash Lavatory with SloanTec® Glaze.

**DETAILS**

- Centerset: 4"
- Nominal Dimensions: 18 ¾" x 20 ¾" x 12 ¼" (464 x 527 x 311mm)

**FEATURES**

- White Vitreous China
- Permanent SloanTec™ hydrophobic antimicrobial glaze inhibits the growth and buildup of germs, bacteria, mold, mildew and mineral scale on the surfaces
- Wall mounted with 4" backsplash
- Front overflow
- 4" (102mm) centerset
- Carrier not included
- Mounting hardware included
- 20 ¾" x 18 ¼" (527 mm x 464 mm)

**DOWNLOADS**

- [Sloan SS-3003 Installation Instructions](#)
- [SS/ST/SU/WETS/WEUS Fixtures Repair and Maintenance Guide](#)
- [Vitreous China Lavatories Repair and Maintenance Guide](#)
- [Additional Downloads](#)

**ROUGH-IN**



**COMPLIANCES & CERTIFICATIONS**

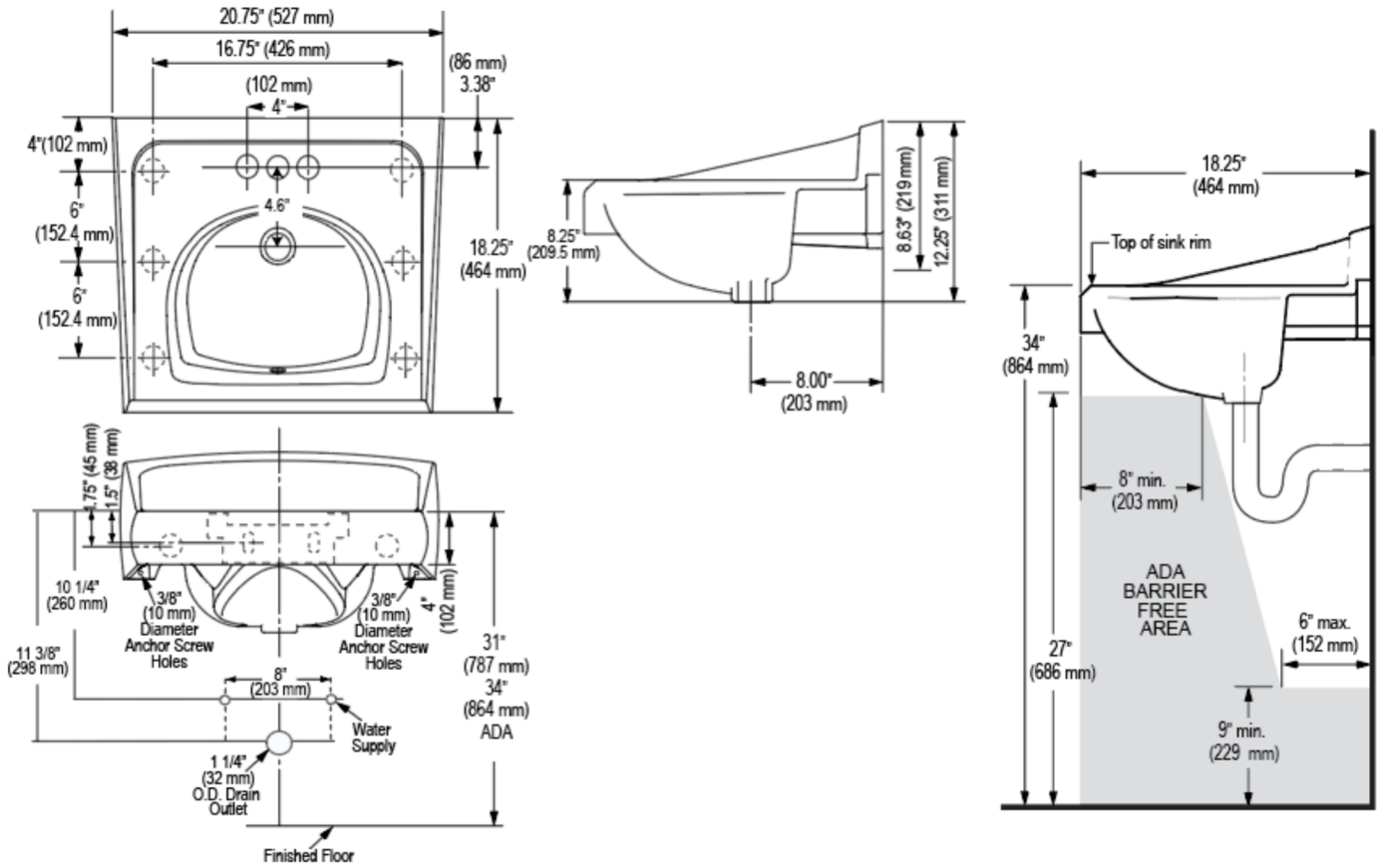


(BAA Compliant, BREEAM Materials Credit, EPD, HPD, LEED Materials & Resources EPD Credit, LEED Materials & Resources HPD Credit, Satisfies LEED Credits)

**NOTES**

All information contained within this document subject to change without notice.

All vitreous china dimensions shown in these drawings are nominal and not to scale. Dimensions can vary within the tolerances established in the governing ASME A112.19.2/CSA B45.1 standard. It is important to consider this when planning rough-in and plumbing layouts.



Sloan 10500 Seymour Ave, Franklin Park, IL 60131  
 Phone: 800.982.5839 • Fax: 800.447.8329 • [sloan.com](http://sloan.com)

**CODE NUMBER**

3362154

supplied with faucet

**DESCRIPTION**

Battery Power Supply, Below Deck Thermostatic Mixing Valve, Polished Chrome Finish, 0.5 gpm, Multi-Laminar Spray, Infrared Sensor, Sloan® Battery-Powered Deck-Mounted Mid Integrated Base Body Faucet.

**DETAILS**

- Flow Rate: 0.5 gpm (2 Lpm) (0.5GPM)
- Spray Type: Multi-Laminar (MLM)
- Sensor Type: Infrared (IR)
- Mounting Type: 4" Centerset ( )
- Power Supply: Battery (BAT)
- Temperature Mixer: Below Deck Thermostatic Mixing Valve (BDT)
- Finish: Polished Chrome (CP)
- Factory Default Timeout: 30s
- Factory Default GPC: 0.25

**FEATURES**

Commercial Grade, ADA Compliant, Electronic, Sensor-Activated, Brass 4 Centerset Hand Washing Faucet with the following features:

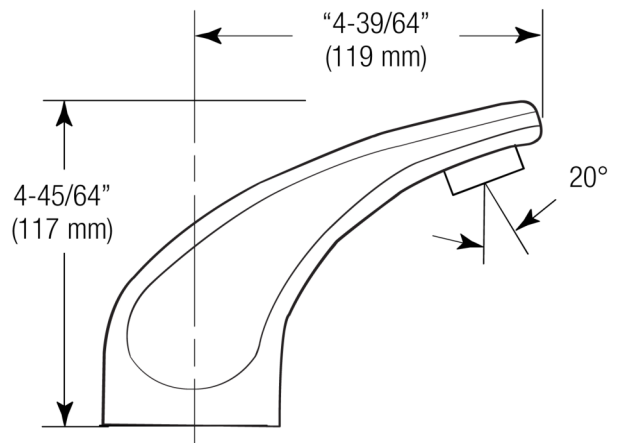
- Splash-proof Circuit Control Module
- Adjustable Infrared Sensor Range
- 36" (914 mm) Long Sensor Cable
- 24" (610 mm) Long Flex Hose
- Filtered Solenoid Valve with serviceable Strainer Filter
- Includes Four (4) AA-size Batteries
- Includes appropriate Mounting Hardware

**ELECTRICAL SPECIFICATIONS**

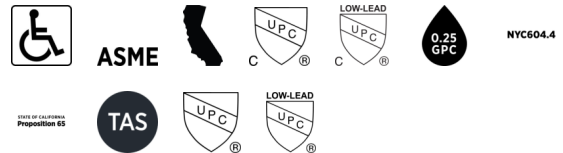
- Battery Life: 2 years 8,000 cycles/month
- Sensor Range: 4" - 12" (102 - 305mm)
- Timeout Adjustment Settings: 30s

**DOWNLOADS**

- [SF Series Installation Instructions](#)
- [SF Series \(FR\) Installation Instructions](#)
- [SF Series \(SP\) Installation Instructions](#)
- [SFP 35-A Installation Instructions](#)
- [Trim Plate Guide](#)
- [Sloan 2300/2350 Repair and Maintenance Guide](#)
- [Additional Downloads](#)



**COMPLIANCES & CERTIFICATIONS**



(ADA Compliant, ASME A112.18.1 Compliant, CEC Compliant, cUPC Certified, cUPC Low Lead Compliant, GPC 0.25 or less, NYC604.4, Proposition 65, TAS, UPC Certified, UPC Low Lead Compliant)

**NOTES**

All information contained within this document subject to change without notice.

Looking for other variations of the SF-2350 product? [View the general spec sheet with all options.](#)

[Find a matching soap dispenser](#) for this faucet.

[Find a compatible sink](#) for this faucet.

**WARRANTY**

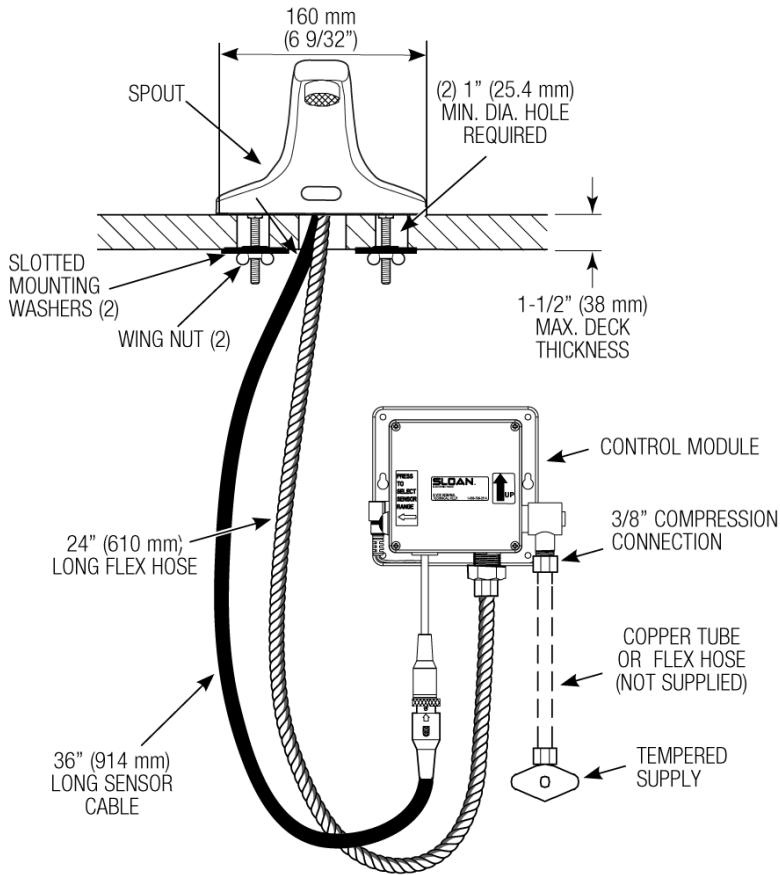
1 Year

**Sloan 10500 Seymour Ave, Franklin Park, IL 60131**

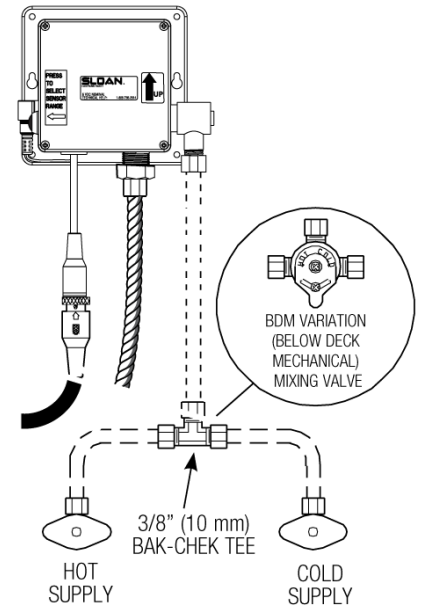
Phone: 800.982.5839 • Fax: 800.447.8329 • [sloan.com](http://sloan.com)



**ROUGH-IN**



**HOT AND COLD WATER SUPPLY APPLICATIONS**  
 (SPECIFY IN MODEL VARIATION)



**CODE NUMBER**

2172469

**DESCRIPTION**

Vitreous China Wall-Mounted Water Closet with SloanTec® Glaze.

**DETAILS**

- Flush Volume: 1.1 - 1.6 gpf (4.2 - 6.0 Lpf)
- Flush volume determined by the flushometer used with the fixture
- Rim Height: 13 ¼" - 17" (337 - 432mm)
- Nominal Dimensions: 26 ¾" x 15" x 16 ¾" (679 x 381 x 425mm)

**FEATURES**

- White Vitreous China
- Permanent SloanTec® hydrophobic antimicrobial glaze inhibits the growth and buildup of germs, bacteria, mold, mildew and mineral scale on the surfaces
- Elongated bowl
- Wall mounted, wall outlet
- Siphon jet flushing action achieves 1000g Map score when used with any Sloan flushometer
- Static load rating of 750 lbs (see Notes)
- Water spot area: 10½" x 9¾" (26 cm x 24 cm)
- 1½ I.P.S. rear spud inlet
- 2½" fully glazed trapway
- Toilet seat not included
- Static load rating of 750 lbs. (See Notes)

**RECOMMENDED SEATS**

- Bemis - 1955CT/1955SSCT & 2155CT/2155SSCT
- Church - 295CT/295SSCT & 2155CT/2155SSCT

*select one of these*

**PLUMBING SYSTEM REQUIREMENTS**

- Minimum Flowing Pressure: 25 PSI (172 kPa)
- Maximum Static Pressure: 80 PSI (552 kPa)

**DOWNLOADS**

- [ST-2469 Installation Instructions](#)
- [SS/ST/SU/WETS/WEUS Fixtures Repair and Maintenance Guide](#)
- [Additional Downloads](#)



**COMPLIANCES & CERTIFICATIONS**



(ADA Compliant, BAA Compliant, BREEAM Materials Credit, cUPC Certified, EPD, Green Globes Materials & Resources Credit, HPD, LEED Materials & Resources EPD Credit, LEED Materials & Resources HPD Credit, WaterSense Listed, Satisfies LEED Credits)

**NOTES**

All information contained within this document subject to change without notice.

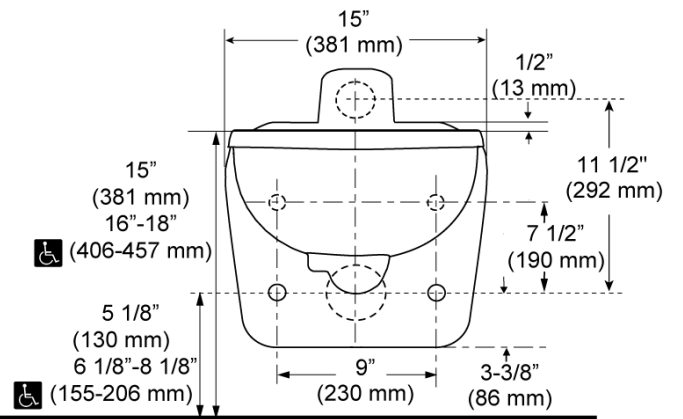
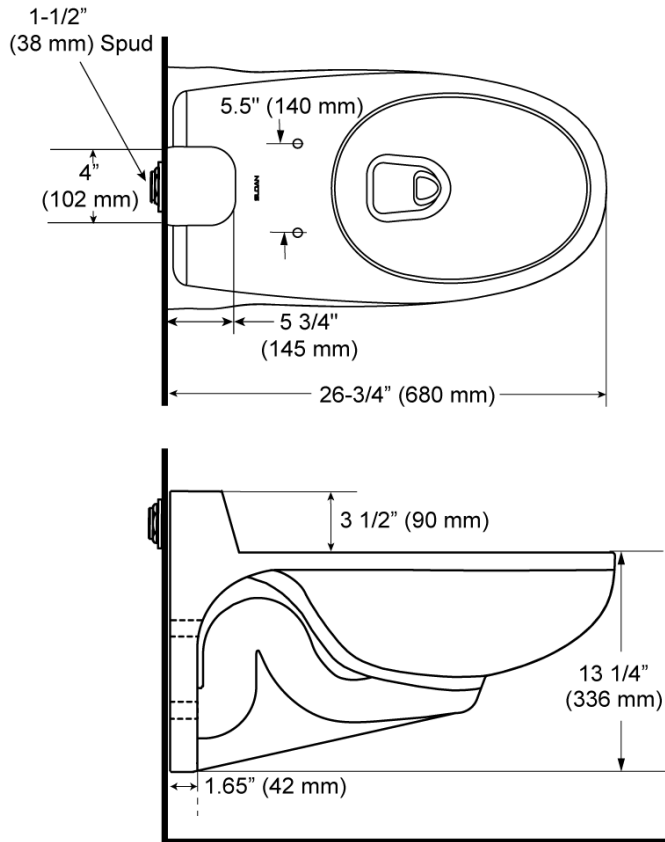
All vitreous china dimensions shown in these drawings are nominal and not to scale. Dimensions can vary within the tolerances established in the governing ASME A112.19.2/CSA B45.1 standard. It is important to consider this when planning rough-in and plumbing layouts.

Static load tested according to the procedure outlined in Section 6.7 of ASME A112.19.2. Not recommended for bariatric use.

[Find a compatible flushometer](#) for this water closet.

WaterSense compliant when used with a WaterSense compliant flushometer

**ROUGH-IN**



Sloan 10500 Seymour Ave, Franklin Park, IL 60131  
Phone: 800.982.5839 • Fax: 800.447.8329 • [sloan.com](http://sloan.com)