

EXISTING LETTERS AND MOUNTING HARDWARE TO BE REUSED

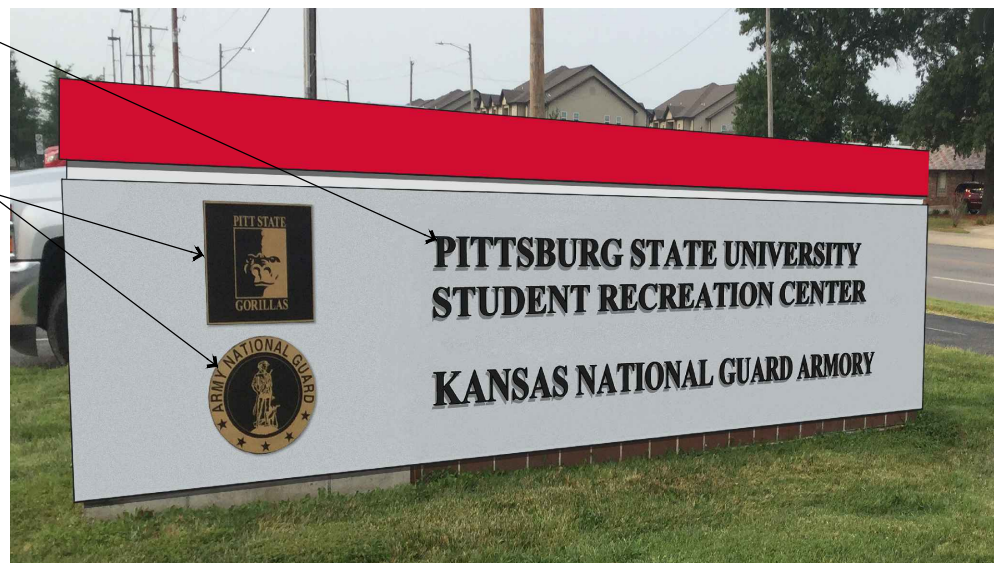
NEW PLAQUES PER SHEET A2



**BID ALTERNATE SIGNAGE (PROVIDE NEW PLAQUES)**

EXISTING LETTERS AND MOUNTING HARDWARE TO BE REUSED

EXISTING PLAQUES TO BE RE-USED



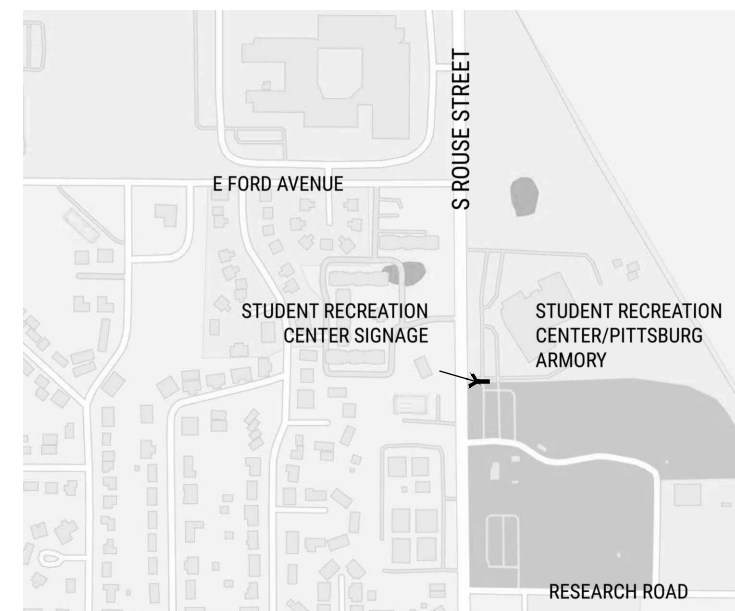
**BASE BID SIGNAGE (RE-USE EXISTING PLAQUES)**



**EXISTING SIGN**

**SHEET INDEX**

- G1 COVER
- A1 PLAN, ELEVATION, AND DETAILS
- A2 BID ALTERNATE SIGNAGE



**LOCATION PLAN | NTS**

**clark huesemann**

CLARK HUESEMANN  
927 1/2 MASSACHUSETTS ST  
LAWRENCE, KS 66044  
(785) 691-5547  
jhuesemann@clarkhuesemann.com

CH PROJECT NUMBER 021019

PITTSBURG STATE UNIVERSITY  
PLANNING, DESIGN, & CONSTRUCTION  
105 WHITESITT HALL  
PITTSBURG, KS 66762

**PITTSBURG STATE UNIVERSITY  
STUDENT RECREATION CENTER  
SIGNAGE**

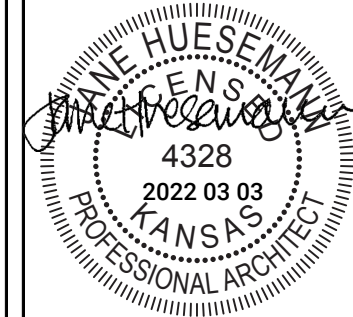
PITTSBURG STATE UNIVERSITY  
PITTSBURG, KANSAS 66762

CHECKED BY: JH

DRAWN BY: CK

**VERSIONS**

NAME	DATE
Construction Documents	03 03 2022



**G1** (1 OF 3)

COVER

CONSTRUCTION DOCUMENTS

BASE BID: EXISTING PLAQUES SALVAGED FOR REUSE, ATTACH TO NEW ALUMINUM CABINETS USING SALVAGED HARDWARE. BID ALTERNATE: PROVIDE NEW SIGNAGE, RE: A2

EXISTING LETTERS AND MOUNTING HARDWARE TO BE REUSED

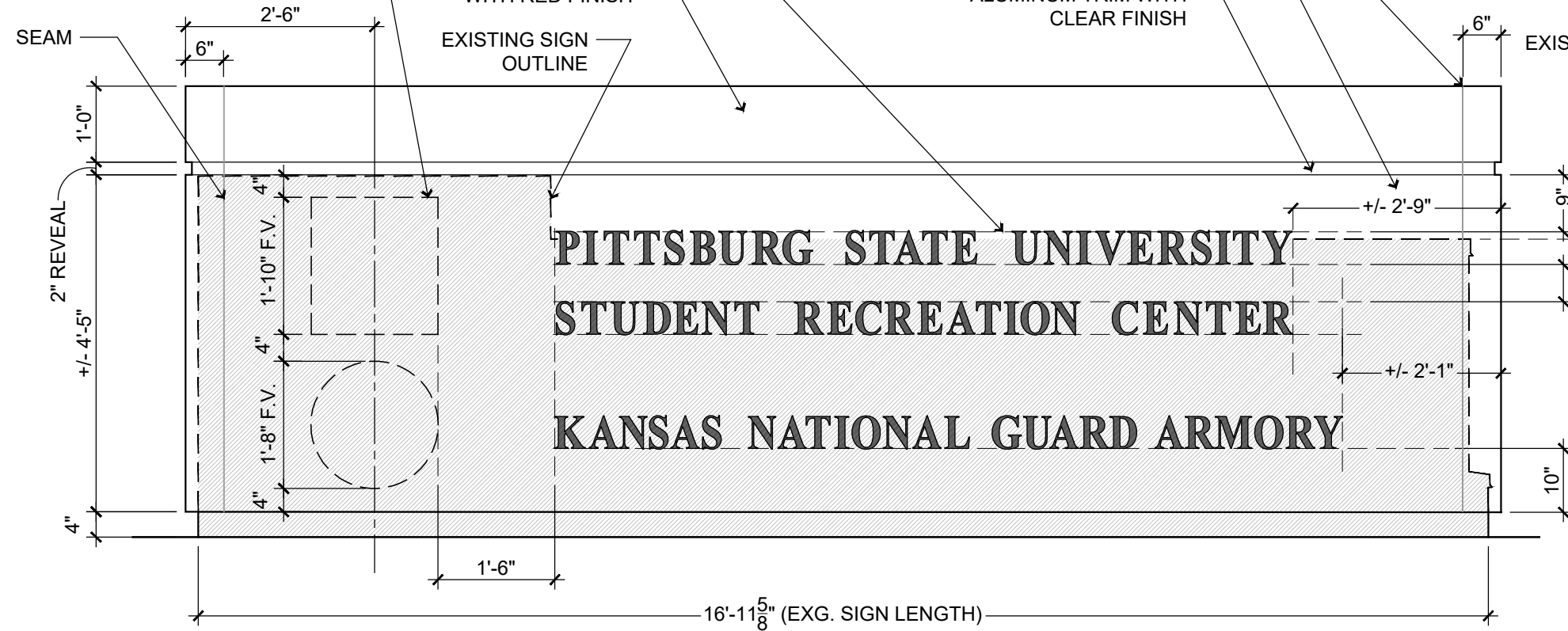
ALUMINUM CABINET WITH RED FINISH

ALUMINUM CABINET WITH ETCHED GRAY FINISH

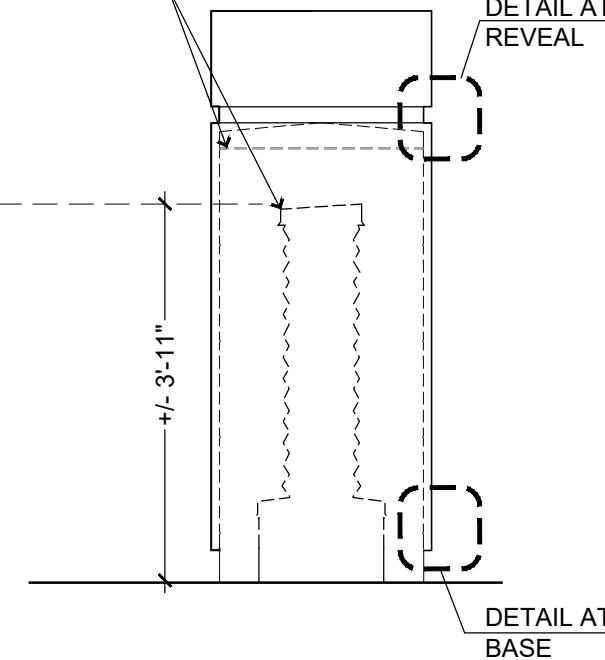
ALUMINUM TRIM WITH CLEAR FINISH

NOTE: FIELD VERIFY ALL DIMENSIONS

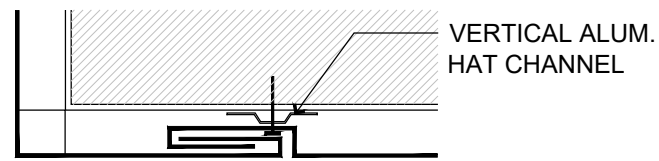
ARCHITECT TO VERIFY FINAL LOCATION/PLACEMENT OF SEAMS



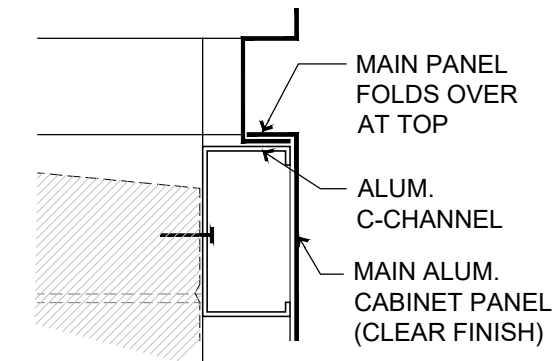
OUTLINE OF EXISTING SIGNAGE TO REMAIN



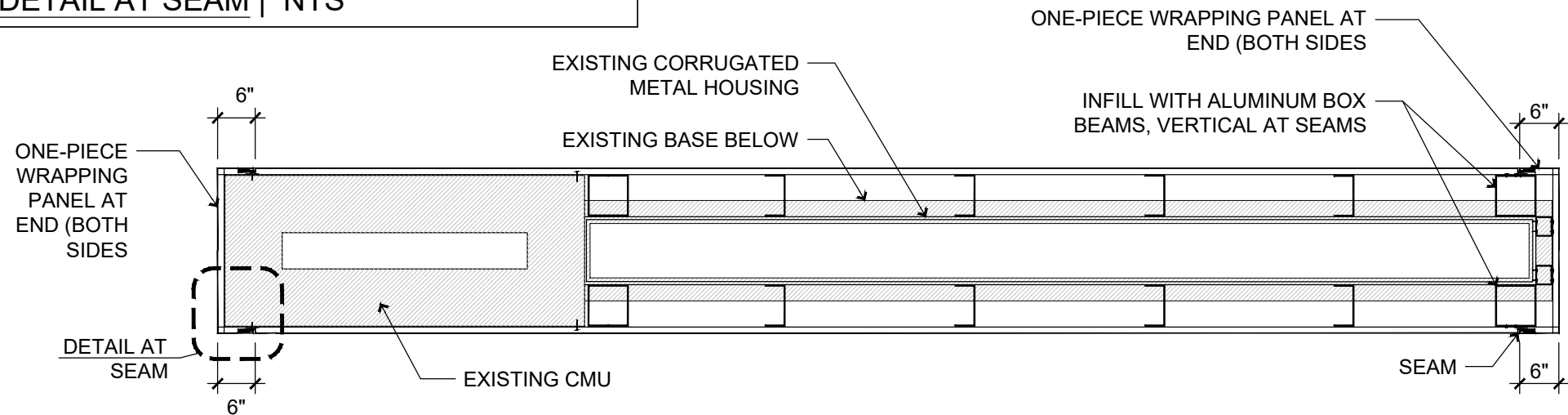
ELEVATIONS | 1/2" = 1'-0"



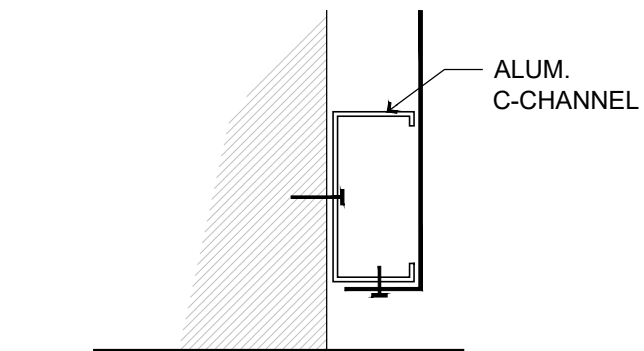
DETAIL AT SEAM | NTS



DETAIL AT REVEAL | NTS



PLAN | 1/2" = 1'-0"



DETAIL AT BASE | NTS

clark huesemann

CLARK HUESEMANN  
927 1/2 MASSACHUSETTS ST  
LAWRENCE, KS 66044  
(785) 691-5547  
jhuesemann@clarkhuesemann.com

CH PROJECT NUMBER 021019

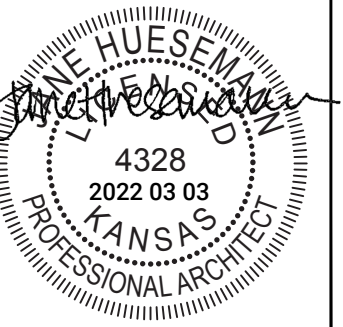
PITTSBURG STATE UNIVERSITY  
PLANNING, DESIGN, & CONSTRUCTION  
105 WHITESITT HALL  
PITTSBURG, KS 66762

PITTSBURG STATE UNIVERSITY  
**STUDENT RECREATION CENTER  
SIGNAGE**  
PITTSBURG STATE UNIVERSITY  
PITTSBURG, KANSAS 66762

CHECKED BY: JH

DRAWN BY: CK

VERSIONS	
NAME	DATE
Construction Documents	03 03 2022



**A1** (2 OF 3)

PLAN, ELEVATION, AND  
DETAILS

CONSTRUCTION  
DOCUMENTS



PITTSBURG STATE UNIVERSITY  
**STUDENT RECREATION CENTER  
 SIGNAGE**

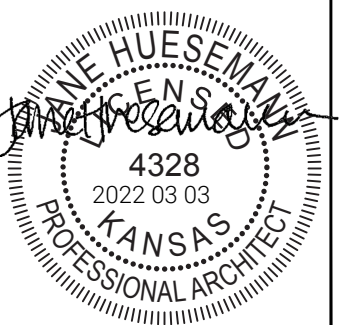
PITTSBURG STATE UNIVERSITY  
 PITTSBURG, KANSAS 66762

CHECKED BY: JH

DRAWN BY: CK

VERSIONS

NAME	DATE
Construction Documents	03 03 2022



**A2** (3 OF 3)

BID ALTERNATE SIGNAGE

CONSTRUCTION DOCUMENTS

VINYL PRINT (PMS 116 C GOLD)

ALUMINUM 1" DEPTH.  
 EDGES & FACE PAINTED  
 RED (PMS 186)



SPLIT-FACE LOGO

VINYL PRINT ARMY WHITE  
 (HEX # ffffff)

VINYL PRINT ARMY GOLD  
 (HEX # ff530)

ALUMINUM 1" DEPTH. EDGES &  
 FACE PAINTED ARMY BLACK  
 (HEX #030000)



KANSAS ARMY NATIONAL GUARD LOGO

BID ALTERNATE: PROVIDE NEW SIGN  
 PLAQUES IN LIEU OF RE-INSTALLING EXISTING