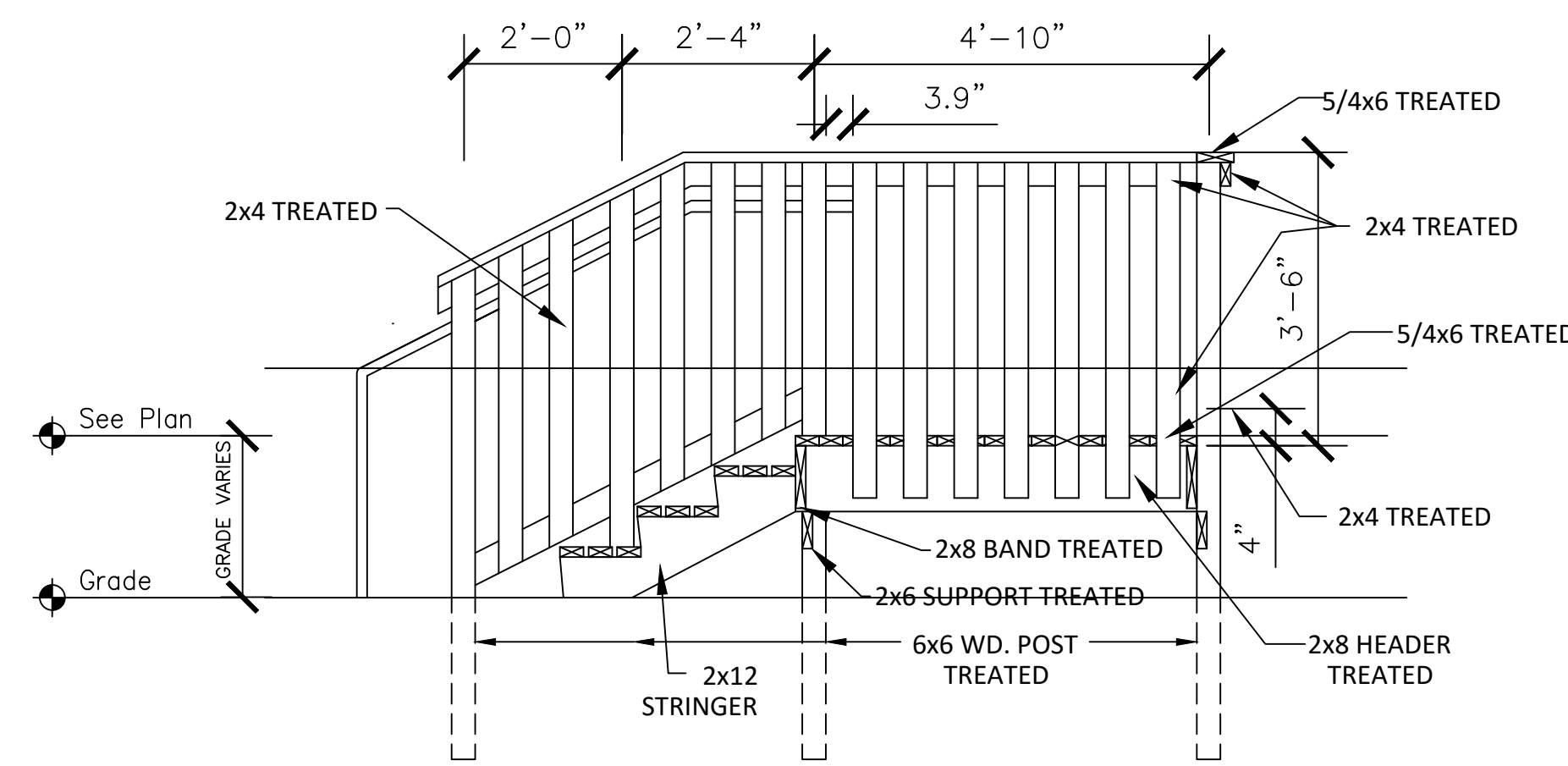


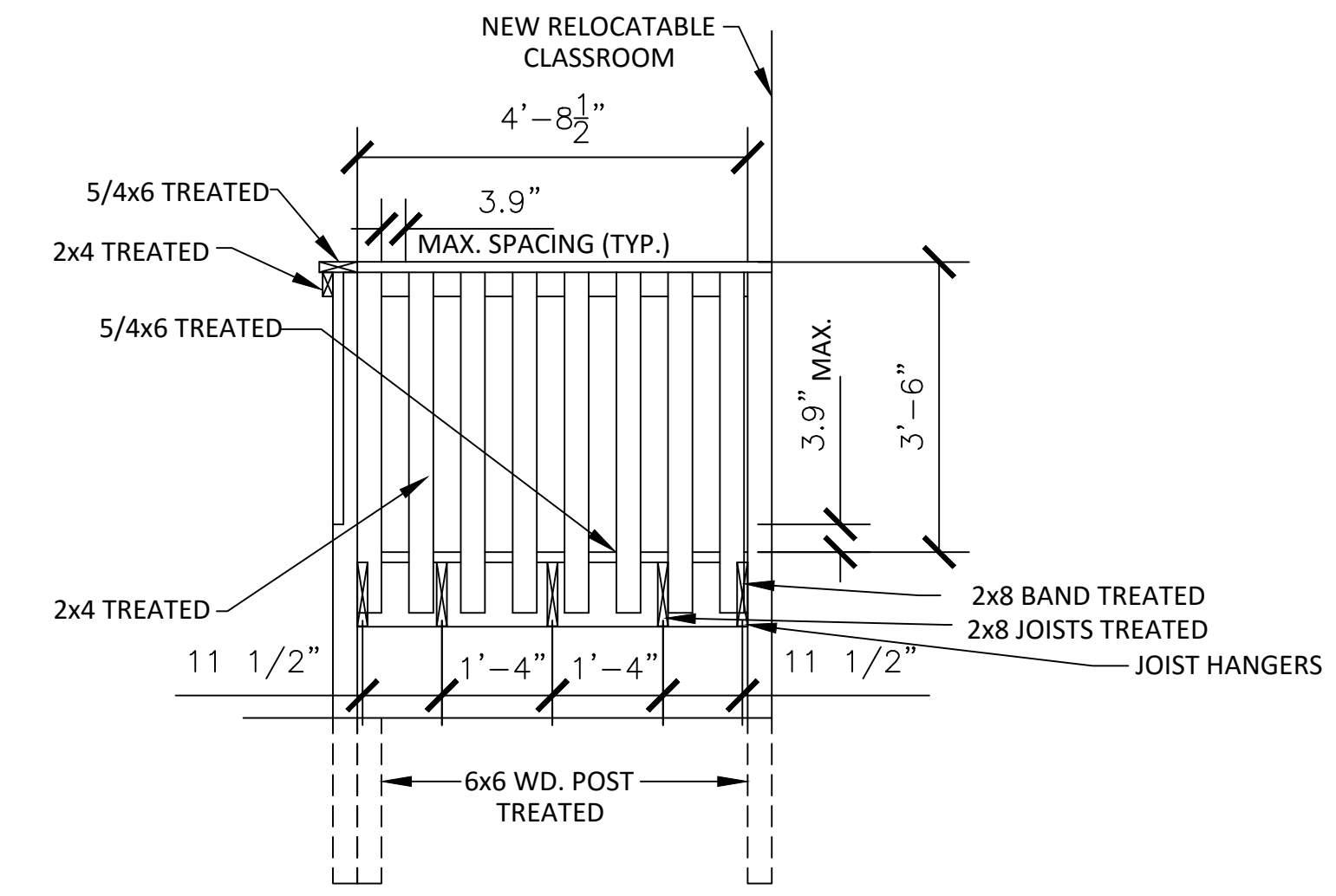
**1 Stair Plan**

Scale: NTS



**A Stair Section**

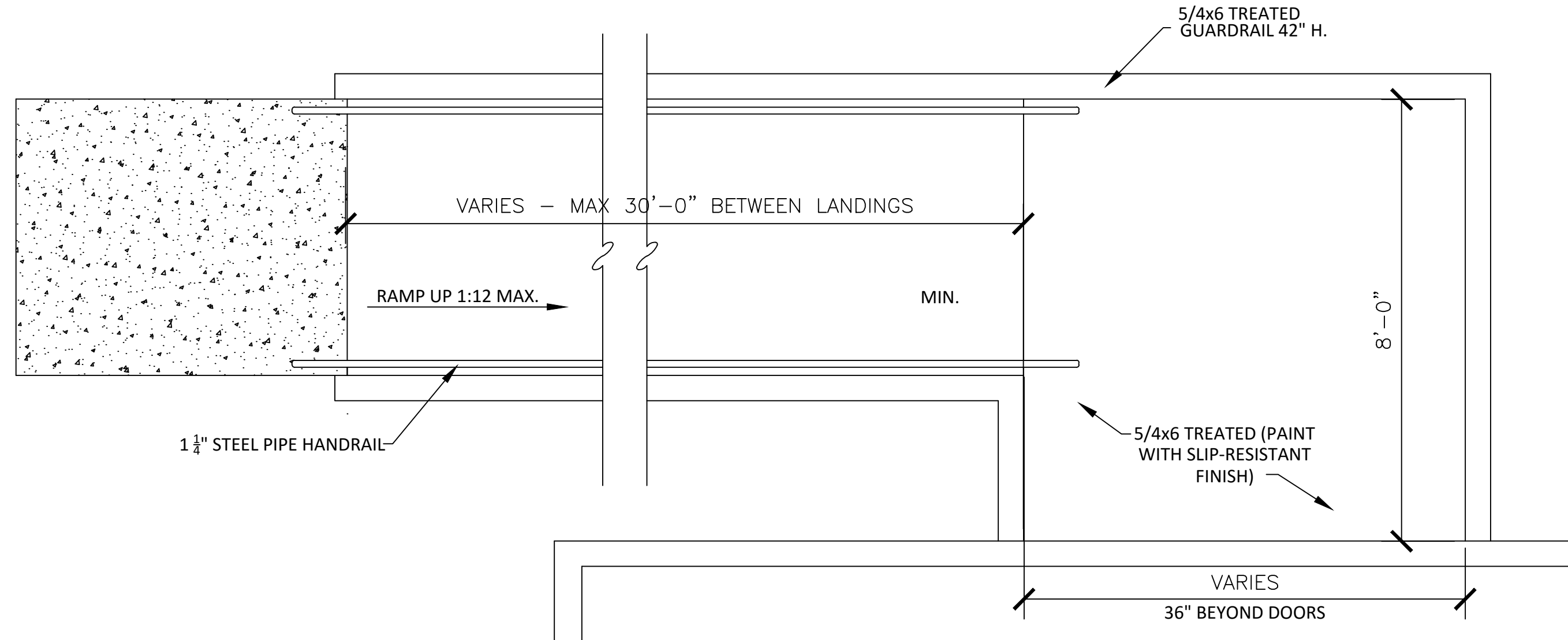
Scale: NTS



**B Stair Section**

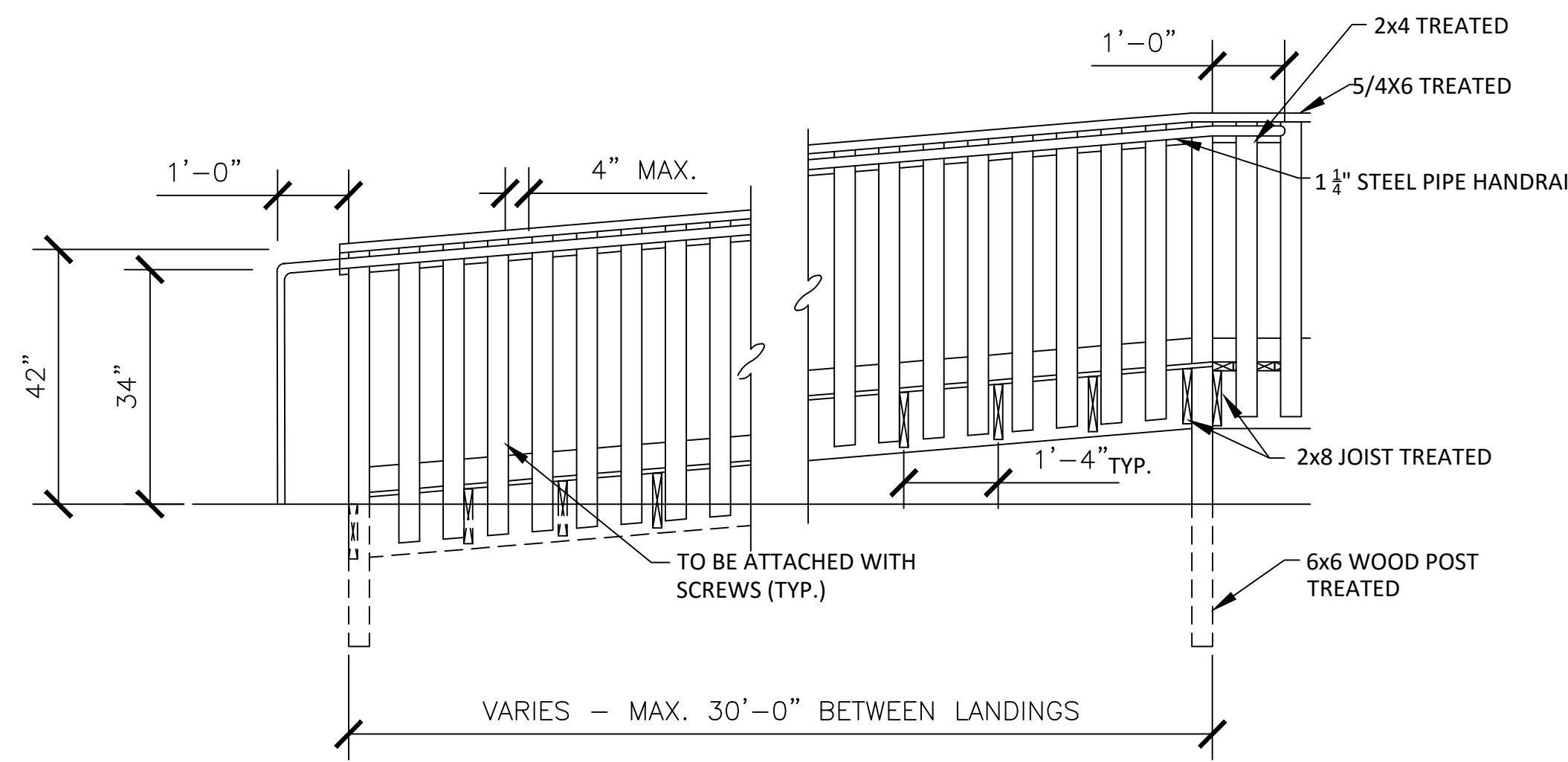
Scale: NTS

GUARD BALUSTERS SHALL BE SPACED SUCH THAT A 4-INCH DIAMETER SPHERE CANNOT PASS THROUGH ANY OPENING UP TO A HEIGHT OF 34 INCHES. SECTION 1003.2.12.2 2002 KBC  
 THE SPACE BETWEEN THE TREATED 2x4's USED IN THE CONSTRUCTION OF STAIR TREADS SHALL NOT EXCEED 1/2" MAXIMUM. SECTION 1108.16 2002 KBC AND SECTIONS 210.1, 302.3 AND 504.4 AMERICANS DISABILITIES ACT ASSESSIBILITY GUIDELINES



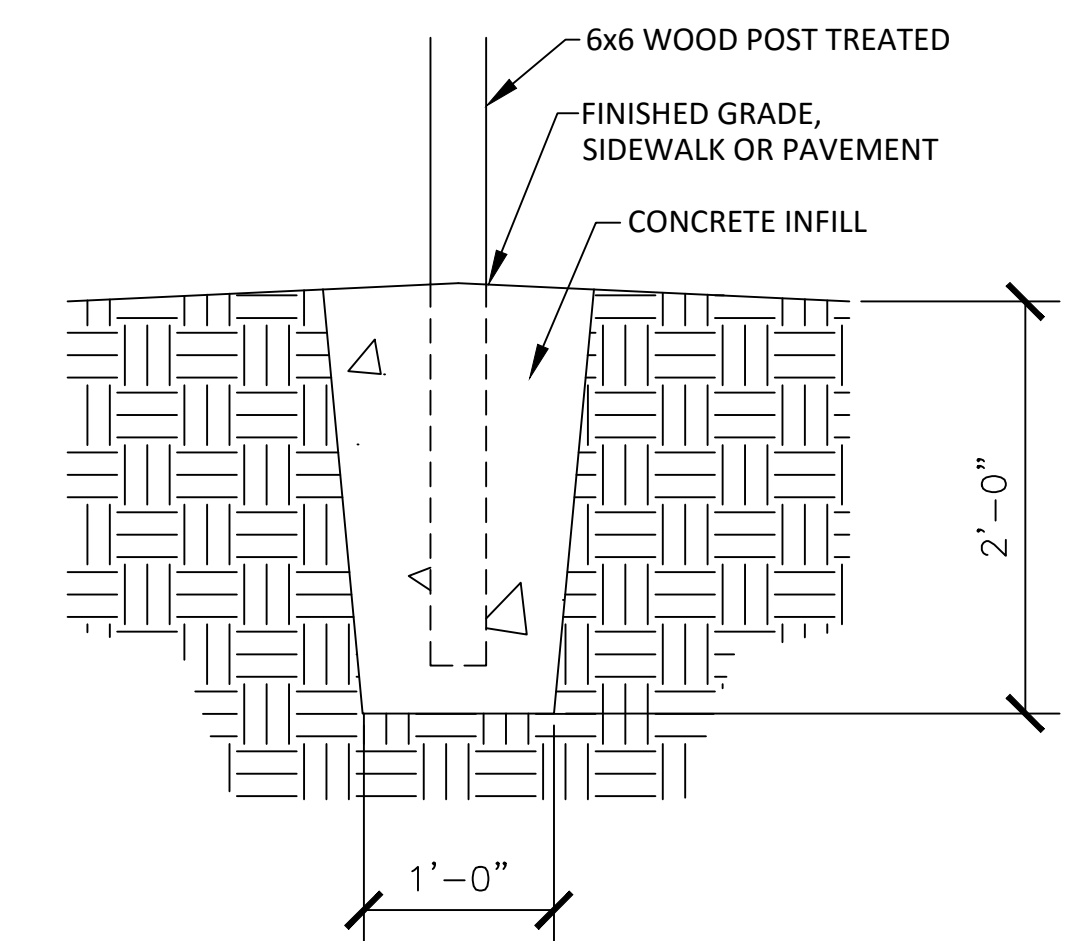
**2 Ramp Plan**

Scale: NTS



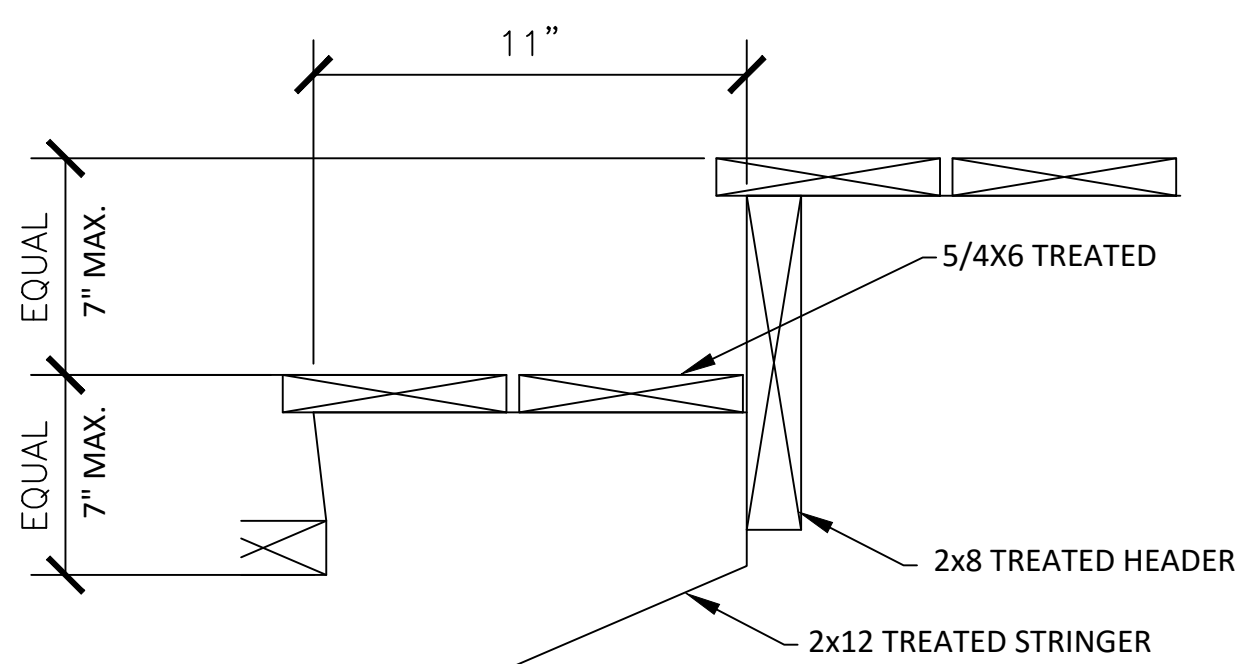
**C Ramp Section**

Scale: NTS



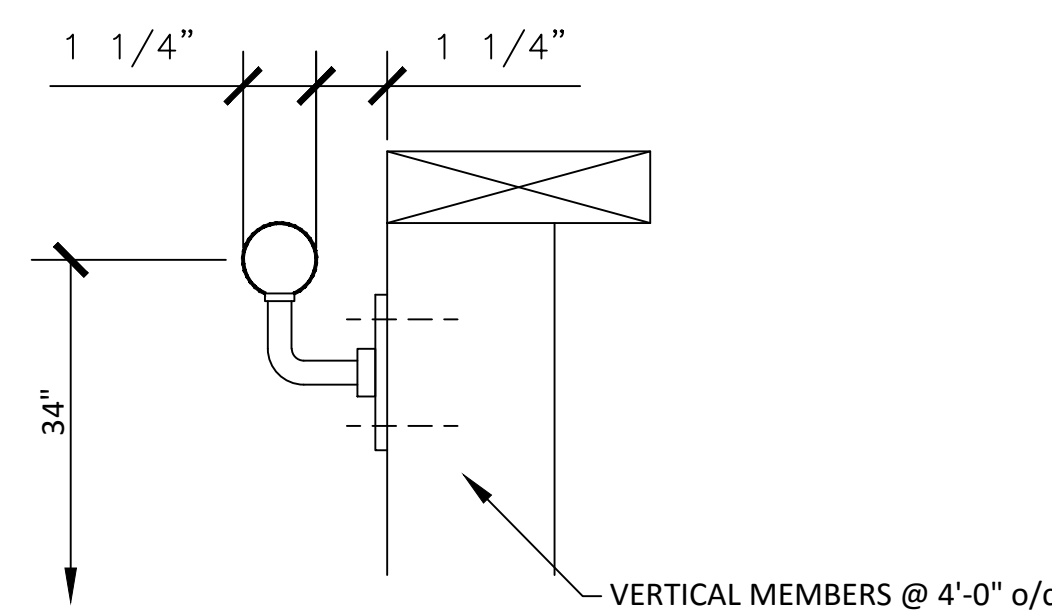
**6 Post Foundation Detail**

Scale: NTS



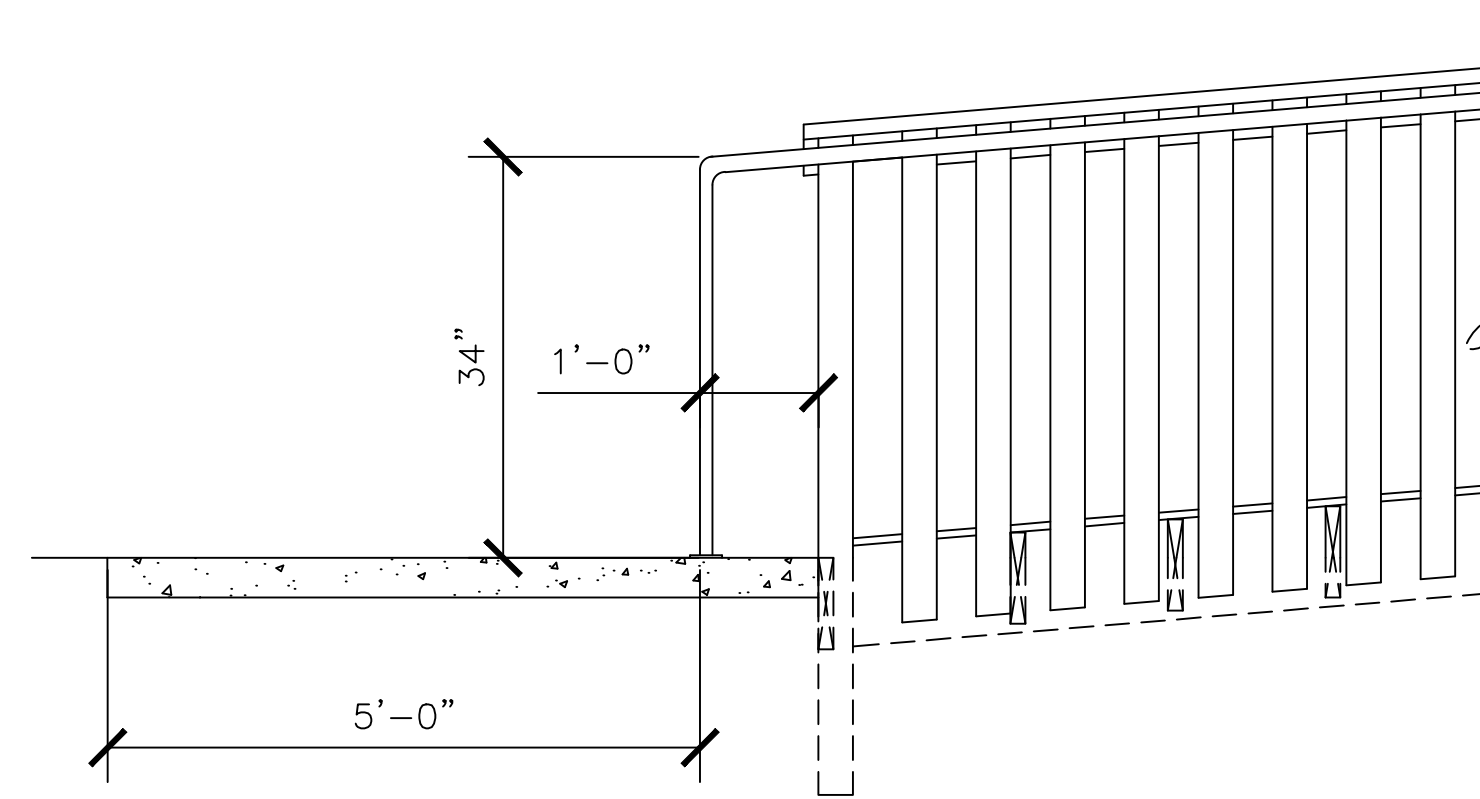
**4 Stair Detail**

Scale: NTS



**5 Handrail Detail**

Scale: NTS



**7 Handrail Termination Detail**

Scale: NTS

**GENERAL NOTES:**

The architect or engineer using these portable details provided by FCPS as a basis for submittal requirements to KHBC or any other use, must complete at a minimum the following:

- (1) Take full responsibility for current code review and compliance.
- (2) Request from Owner confirmation of actual portable size/type to be used with appropriate support points for structural attachments.
- (3) Review in full with owner the location of the new portables, how utilities are connected, and how sidewalk connections are to be located. Modifications in ramps or stairs may be necessary to accommodate these requirements.

REVISED	BY
12/2/10	GSF
4/9/12	GSF
5/4/16	GSF
8/30/16	GSF

EXAMPLE OF  
 STANDARD PORTABLE  
 SECTION & DETAIL VIEWS

FAYETTE COUNTY SCHOOLS  
 DIVISION OF MAINTENANCE  
 461 Springhill Dr. Lexington, KY 40503

DRAWN S. FITCH
CHECKED
APPROVED
DATE 8/12/08
PROJECT NUMBER
SHEET 3
of 3