

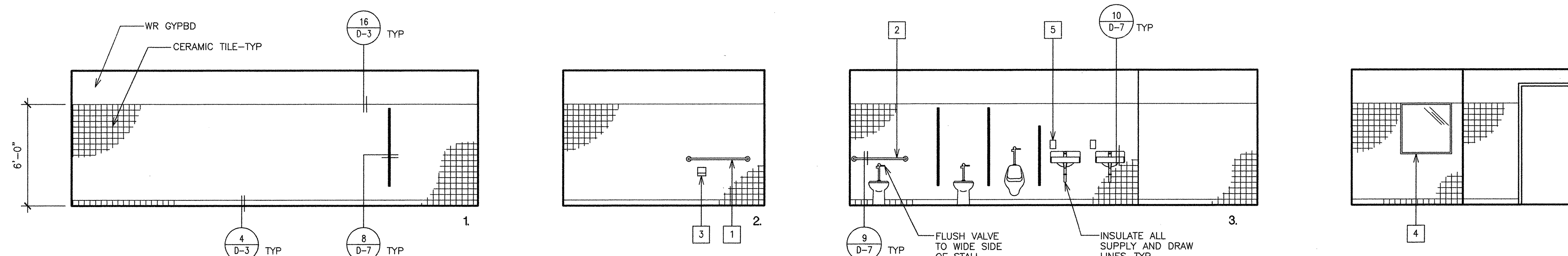
**TOILET ACCESSORIES**

\* OPC = OWNER PROVIDED CONTRACTOR INSTALLED

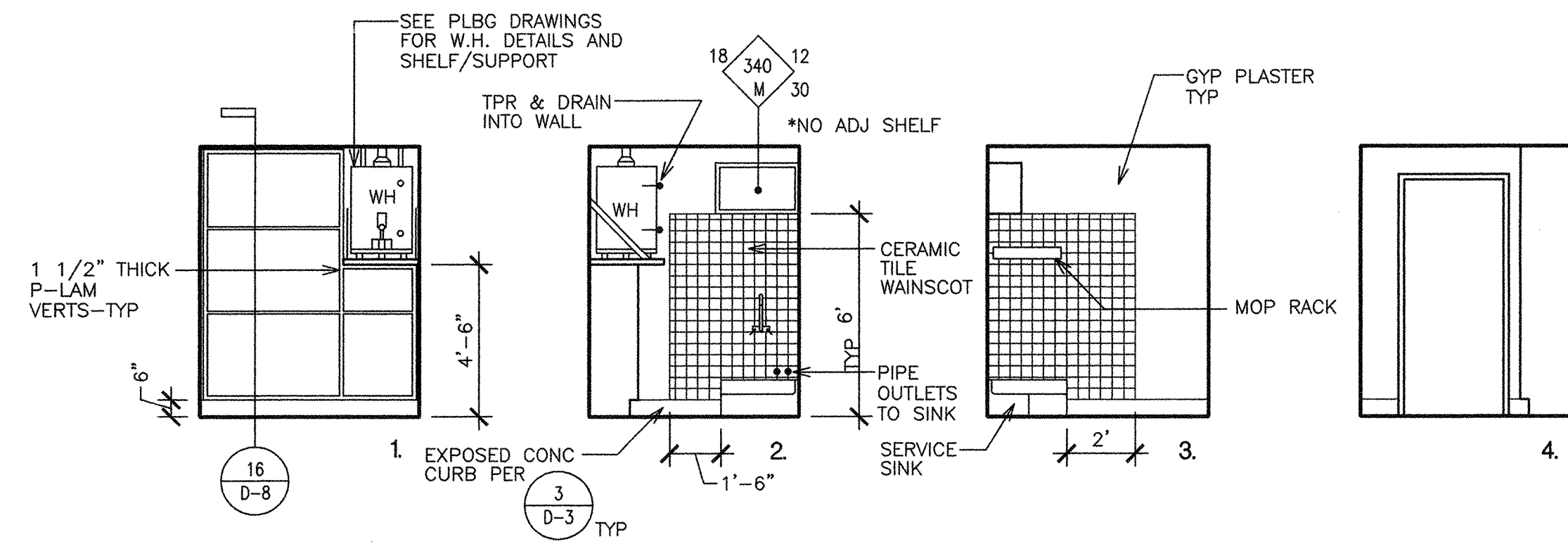
- 1 GRAB BAR 42" LONG
- 2 GRAB BAR 36" LONG
- 3 TOILET PAPER DISPENSER (OPC) EXCEPT CONTRACTOR PROVIDED • HC STALLS
- 4 MIRROR 36"W x 36"H
- 5 SOAP DISPENSER (OPC)

**NOTE:**

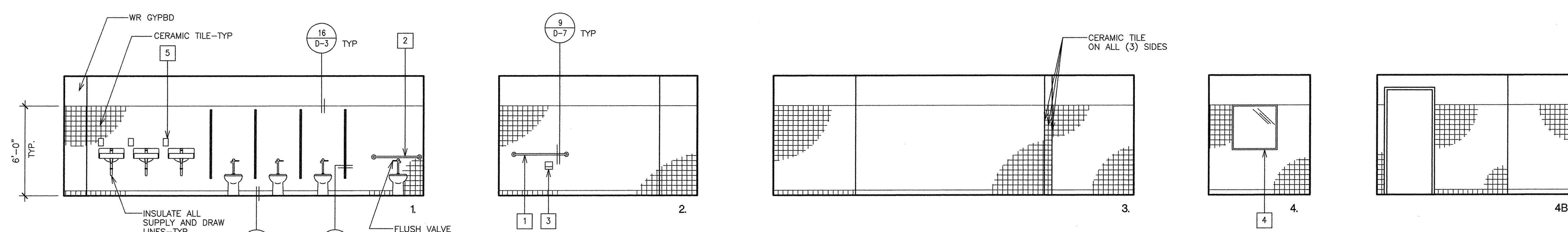
- ① 18" CLEARANCE FROM CENTER OF TOILET TO FACE OF WALL FINISH (20" ROUGH-IN MINUS 2" FINISHES)



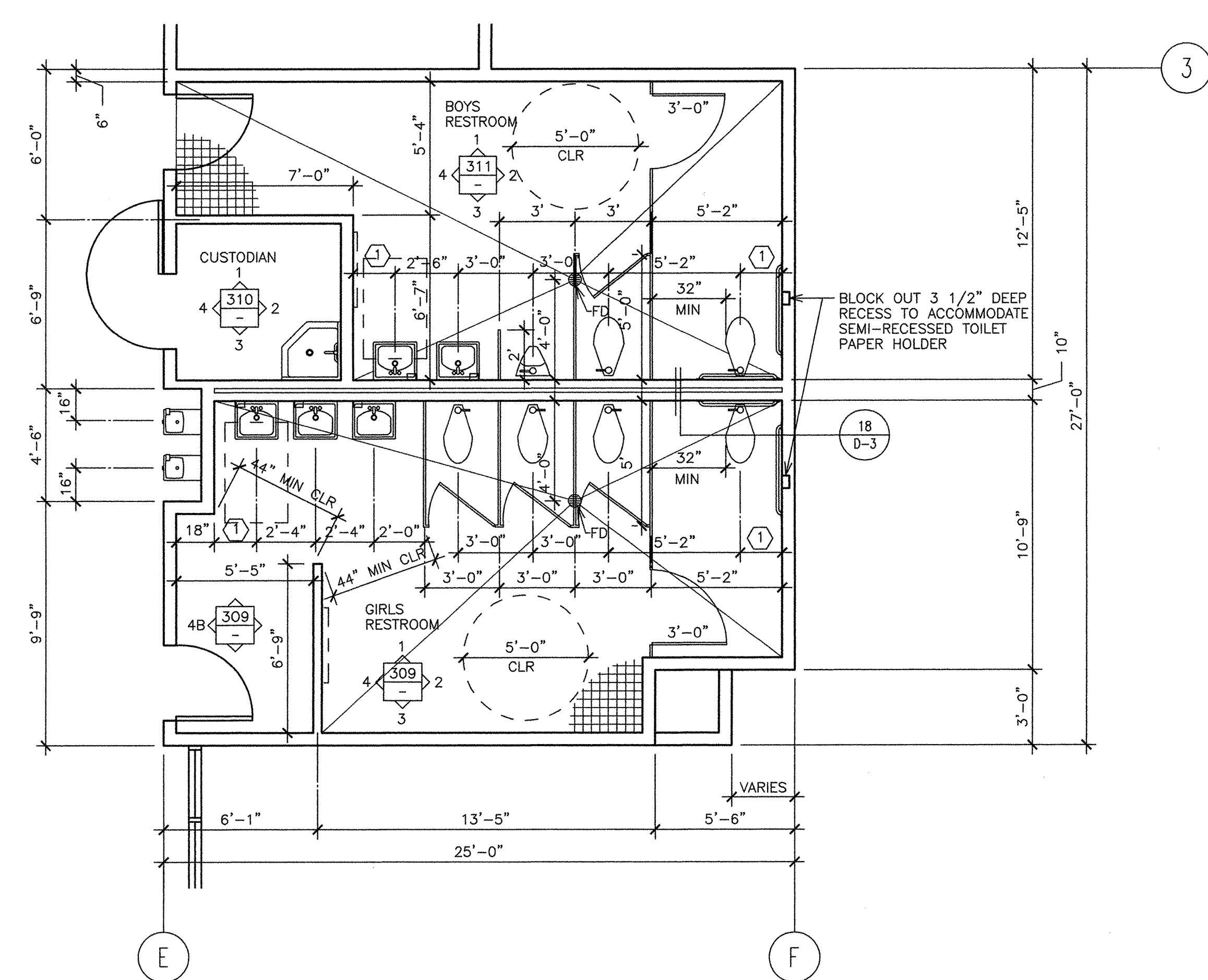
**311 BOYS RESTROOM**  
(FOR MOUNTING HEIGHTS SEE 13/D-9 & 14/D-9)



**310 CUSTODIAN**

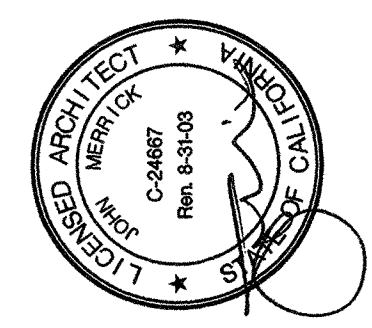


**309 GIRLS RESTROOM**  
(FOR MOUNTING HEIGHTS SEE 13/D-9 & 14/D-9)



M P A G

Project  
**OJAI UNIFIED SCHOOL DISTRICT  
NEW BUILDINGS  
AT NORDHOFF HIGH SCHOOL**



Sheet

Date: 5/6/02  
Job #: 990709  
Code: OUNA  
Sheet: A-3.8

REVISED  
IDENTIFICATION STAMP  
DIV. OF THE STATE ARCHITECT  
OFFICE OF REGULATION SERVICES  
APPL 03-103668  
AC, P, E, S, S, P, E, S, S, P, E, S, S  
DATE: 1 8 2002