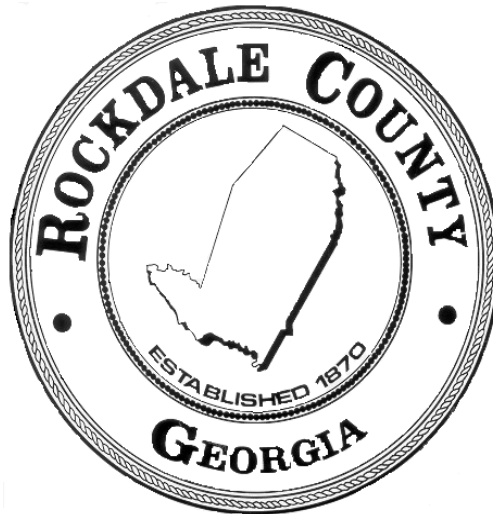


ROCKDALE COUNTY, GEORGIA

January 29, 2020

Fencing for Various Rockdale County Projects – Unit Prices/On Call Contract (Re-Bid)

INVITATION TO BID No. 20-05



**ROCKDALE COUNTY FINANCE DEPARTMENT
PROCUREMENT DIVISION
958 MILSTEAD AVENUE
CONYERS, GA 30012
770-278-7552**

INTRODUCTION:

This is an Invitation to Bid (ITB) for **Fencing for Various Rockdale County Projects – Unit Price on Call Contract** in Rockdale County. Instructions for preparation and submission of a bid are contained in this packet. Bids must be typed or printed in ink.

Rockdale County provides equal opportunity for all businesses and does not discriminate against any person or business because of race, color, religion, sex, national origin, and handicap or veterans status. This policy ensures all segments of the business community have access to supplying the goods and services needed by Rockdale County.

PURCHASING CONTACT FOR THIS REQUEST:

All questions concerning this ITB and all questions arising subsequent to award are to be addressed to the Purchasing Division via email to Meagan Porch, Buyer, at meagan.porch@rockdalecountyga.gov or the following address:

Rockdale County Finance Department
Purchasing Division
Attn: Meagan Porch
958 Milstead Avenue
Conyers, GA 30012
Phone: (770) 278-7557, Fax (770) 278-8910
E-mail: meagan.porch@rockdalecountyga.gov

To maintain a “level playing field”, and to assure that all bidders receive the same information, bidders are requested **NOT** to contact anyone other than the contact above until after the award of the contract. Doing so could result in disqualification of the bidder.

BID COPIES FOR EVALUATION:

Three (3) hard copies and one (1) original hard copy and one (1) Flash Drive in Adobe PDF format will be required for review purposes. *(Original must be clearly marked “Original” and the Copies clearly marked “Copies.”)*. Flash Drives that are blank or have incorrect information on them will not be acceptable and may be justification for disqualification. Check your Flash Drive(s) to ensure that they have the appropriate material on it before submitting.

All bid materials must be completed and enclosed in a sealed envelope prior to submittal. The ITB number must be clearly written on the outside of the envelope. **Incomplete, incorrect, unsealed, unmarked, or improperly submitted bids may be rejected.**

CONTRACT TERM:

The Contract Term will be for one (1) year with the option to renew two (2) additional years renewable each year for a twelve-month term.

DUE DATE:

Sealed bids will be received at the Rockdale County Finance Department, Procurement Division, 958 Milstead Avenue, Conyers, GA 30012 no later than **2:00 P.M., local time, Thursday, February 20, 2020**. Bids received after this time will not be accepted. Bidders are not required to attend bid opening.

PRE-BID CONFERENCE:

N/A

QUESTIONS AND CLARIFICATIONS:

All questions and/or requests for clarifications concerning this ITB must be submitted to the Purchasing Division via email to meagan.porch@rockdalecountyga.gov or at the above address no later than **2:00 p.m., local time, on Thursday, February 13, 2020**. It shall be the Bidders responsibility to seek clarification as early as possible prior to the due date and time. Written responses from the County to the questions it receives will be in an addendum and posted to the County's website at www.rockdalecountyga.gov, under Bid Opportunities. Questions or requests for clarifications received after this deadline will not receive a response.

ADDENDA:

Answers to questions submitted that materially change the conditions and specifications of this ITB will be issued in an addendum and posted to the County's website at www.rockdalecountyga.gov under Bid Opportunities. Any discussions or documents will be considered non-binding unless incorporated and issued in an addendum.

It is the bidder's responsibility to check the Rockdale County website at www.rockdalecountyga.gov, under Bid Opportunities for any addenda that may be issued, prior to submitting a bid for this ITB.

WARRANTY AND / OR GUARANTY:

The bidder will state below or will furnish a separate letter attachment which fully explains the condition of Warranty and/or Guaranty. If no Warranty and/or Guaranty is applicable, it must be so stated. NOTE: Failure to respond to the requirement of this paragraph may result in the bid being non-responsive.

FOREIGN PRODUCTS:

Rockdale County prefers to buy items produced and/or manufactured in the United States of America; however, foreign products may be considered provided it is so stated. Bidder certifies that item(s) offered on this bid is/are manufactured/produced in the United States.

Yes _____ No _____

If "No" state place: _____

QUALIFICATIONS OF OFFERORS:

Bidders must have a current business license from their home office jurisdiction and provide a copy of that license with the submittal of their bid response. Rockdale County vendors doing business in Rockdale County must have a current Rockdale County Business License.

Bids from any offeror that is in default on the payment of any taxes, license fees, or other monies due to Rockdale County will not be accepted.

Bidders are to submit at least **three (3) three references** from projects with similar experience using the materials and process in this Invitation to Bid.

ESCALATION CLAUSE:

During the life of the contract, if the successful bidder requests a price increase, the successful bidder shall furnish price lists to the County for his/her increases and those of his/her supplier (e.g. factory) increases, as and if prices are changed. Furnish also a list of his/her supplier's (e.g. factory) prices that had been in effect during bidder's earlier prices; so that County can see the difference. Price change will be in effect only after receipt and approval of one copy of these price lists, (or catalogs), by the Rockdale County Purchasing Department. Price lists and changes thereto are to be furnished under the contract and without charge to the County. Catalogue(s) or Price List(s) are to be submitted to Purchasing Department, P.O. Box 289, Conyers, GA 30012. All price increases will require Board of Commissioners approval as a change order to the contract.

SILENCE OF SPECIFICATIONS

The apparent silence of these specifications and any supplemental specifications as to any details, or the omission from it of a detailed description concerning any point, shall be regarded as meaning that only the best commercial practices are to prevail and that only materials of first quality and correct type, size and design are to be used. All workmanship is to be first quality. All interpretations of this specification shall be made upon the basis of this statement, with County interpretation to prevail.

OPTION TO AUDIT

Successful bidder will be required to maintain complete records during the life of the contract and for a period of one year after completion of the contract. Such records are to be made available to the County if officially requested, to be audited by a designated County auditing staff. In such audits reveal overcharges and/or undercharges, such will be adjusted and compensation made by either party to correct charges.

TORT IMMUNITY:

No officer, employee, or agent of the County acting within the scope of his/her employment or function shall be held personally liable in tort or named as a defendant in any action for injury or damage suffered because of any act, event, or failure to act.

PROPRIETARY INFORMATION:

Careful consideration should be given before submitting confidential information to Rockdale County. The Georgia Open Records Act permits public scrutiny of most materials collected as part of this process. Please clearly mark any information that is considered a trade secret, as defined by the Georgia Trade Secrets Act of 1990, O.C.G.A. §10-1-760 et seq., as trade secrets are exempt from disclosure under the Open Records Act. Rockdale County does not guarantee the confidentiality of any information not clearly marked as a trade secret.

AWARD OF CONTRACT:

The Rockdale County Procurement Office and/or Evaluation Committee make a recommendation for award. The Board of Commissioners will make the actual award of the contract and has the authority to award the contract to a company different than the company recommended by the Procurement Office and/or Evaluation Committee. Rockdale County reserves the right to make no awards, multiple awards, one award for all items; or whatever the County deems to be in its best interest.

QUANTITIES:

The quantities listed in the Bidders Response Schedule are provided as an estimate for bid purposes. The County will not be obligated to quantities beyond actual needs.

SELECTION PROCESS:

The Rockdale County Procurement Office and/or Evaluation Committee make a recommendation for award. The Board of Commissioners will make the actual award of the contract and has the authority to award the contract to a company different than the company recommended by the Purchasing Department and/or Evaluation Committee.

This is a past performance/quality/price trade-off source selection in which competing offeror's past and present performance history and product quality will be evaluated on a basis approximately equal to price. Award will be made to the responsible offeror whose bid represents the best value after evaluation in accordance with the factors listed below. Rockdale County Board of Commissioners may reject any or all bids if such action is in the county's interest.

Rockdale County may evaluate bids and award a contract without discussions with offerors. Therefore, the offeror's initial bid should contain the offeror's best terms from a price and technical standpoint. The County reserves the right to conduct discussions if the County later determines them to be necessary.

INSURANCE:

Before starting any work, the successful contractor must furnish to Rockdale County certificate(s) of insurance from companies doing business in Georgia. The Company shall maintain in full force and effect the following insurance during the term of the Agreement:

Coverages:	Limits of Liability:
Workers' Compensation	Statutory
Employers' Liability	\$1,000,000.00
Bodily Injury Liability	\$1,000,000.00 each occurrence
except Automobile	\$1,000,000.00 aggregate
Property Damage Liability	\$1,000,000.00 each occurrence
except Automobile	\$1,000,000.00 aggregate
Personal & Advertising Injury Limit	\$1,000,000.00
Products / Completed Ops.	\$2,000,000.00 aggregate
Automobile Bodily Injury	\$1,000,000.00 each person
Liability	\$1,000,000.00 each occurrence
Automobile Property Damage	\$1,000,000.00 each occurrence
Liability	
Professional Liability/General Liability	\$1,000,000.00

All insurance shall be provided by an insurer(s) acceptable to the County, and shall provide for thirty (30) days prior notice of cancellation to the County. Upon contract award, Contractor shall deliver to the County a certificate or policy of insurance evidencing Contractor's compliance with this paragraph. Contractor shall abide by all terms and conditions of the insurance and shall do nothing to impair or invalidate the coverage.

Rockdale, GA shall be named as Additional Insured under any General Liability, Business Auto and Umbrella Policies using ISO Additional Insured Endorsement forms CG 2010 or its equivalent. Coverage shall apply as Primary and non-contributory with Waiver of Subrogation in favor of Rockdale County, Georgia.

The insurance carrier must have a minimum rating of A or higher as determined by the rating firm A.M. Best.

Certificates must contain policy number, policy limits, and policy expiration date of all policies. The Invitation to Bid (ITB) number and project name must be inserted in the Description of Operations section of the certificate.

Certificates are to be issued to:

Rockdale County, Georgia
958 Milstead Avenue
Conyers, GA 30012

BONDS:

N/A

PERMITS:

The awarded contractor will be responsible for acquiring any permits that are required for this project/purchase. Rockdale County will waive fees on all permits issued by Rockdale County.

ILLEGAL IMMIGRATION REFORM AND ENFORCEMENT ACT OF 2011

Vendors submitting a Qualification package in response to this ITB must complete the Contractor Affidavit under O.C.G.A. §13-10-91(b)(1) which is provided with the ITB package to verify compliance with the Illegal Immigration Reform and Enforcement Act of 2011.

- A. The form must be signed by an authorized officer of the contractor or their authorized agent.
- B. The form must be notarized.
- C. The contractor will be required to have all subcontractors and sub-subcontractors who are engaged to complete physical performance of services under the final contract executed between the County and the contractor complete the appropriate subcontractor and sub-subcontractor affidavits and return them to the County a minimum of five (5) days prior to any work being accomplished by said subcontractor or sub-subcontractor. Format for this affidavit can be provided to the contractor if necessary.

GENERAL INFORMATION:**RECEIPT OF BID:**

No bids received after said time or at any place other than the time and place as stated in the notice shall be considered. No responsibility shall attach to Rockdale County for the premature opening of a bid not properly addressed and identified.

WITHDRAWAL OF BID:

A bidder may withdraw his bid before the bid due date, without prejudice to the bidder, by submitting a written request of withdrawal to the Rockdale County Procurement Office.

REJECTION OF BID:

Rockdale County may reject any and all bids and must reject a bid of any party who has been delinquent or unfaithful in any formal contract with Rockdale County. Also, the right is reserved to waive any irregularities or informalities in any bid in the proposing procedure. Rockdale County shall be the sole judge as to which bid is best, and in ascertaining this, will take into consideration the business integrity, financial resources, facilities for performing the work, and experience in similar operations of the various bidders.

STATEMENT OF EXPERIENCE AND QUALIFICATIONS:

The bidder may be required, upon request, to prove to the satisfaction of Rockdale County that he/she has the skill, experience, necessary facilities and ample financial resources to perform the contract(s) in a satisfactory manner and within the required time. If the available evidence of competency of any bidder is not satisfactory, the bid of such bidder may be rejected. The successful bidder is required to comply with and abide by all applicable federal and state laws in effect at the time the contract is awarded.

NON-COLLUSION AFFIDAVIT:

By submitting a bid, the bidder represents and warrants that such bid is genuine and not sham or collusive or made in the interest or in behalf of any person not therein named, that the bidder has not directly or indirectly induced or solicited any other bidder to put in a sham bid, or any other person, firm or corporation to refrain from proposing and that the bidder has not in any manner sought by collusion to secure to that bidder any advantage over any other bidder.

INTEREST OF:

By submitting a bid, the bidder represents and warrants that a Commissioner, Administrator, employee, nor any other person employed by Rockdale County has, in any manner, an interest, directly or indirectly, in the bid or in the contract which may be made under it, or in any expected profits to arise therefrom.

DOCUMENTS DEEMED PART OF THE CONTRACT:

The notice, invitation to bidders, general conditions, and instructions for bidders, special conditions, specifications, bid, and addenda, if any, will be deemed part of the contract.

GOVERNING LAWS:

This contract is made under and shall be governed and construed in accordance with the laws of the State of Georgia.

ERRORS AND OMISSIONS:

The vendor shall not take advantage of any errors or omissions in this Bid Request, and shall promptly notify Rockdale County of any omissions or errors found in this document.

STANDARD INSTRUCTIONS:

1. The instructions contained herein shall be construed as a part of any bid invitation and/or specifications issued by Rockdale County and must be followed by each bidder.
2. The written specifications contained in this bid shall not be changed or superseded except by written addendum from Rockdale County. Failure to comply with the written specifications for this bid may result in disqualification by Rockdale County.
3. All goods and materials shall be F.O.B. Destination Conyers, Georgia and no freight or postage charges will be paid by Rockdale County unless such charges are included in the bid price.
4. The following **ITB# 20-05** must be written clearly on the outside of each bid envelope in order to avoid prior opening in error.
5. All bids must be received and in-hand at bid due date and time. Each bidder assumes the responsibility for having his/her bid received at the designated time and place of bid due date. Bids received after the stated time and date may be subject to rejection without consideration, regardless of postmark. Rockdale County accepts no responsibility for mail delivery.
6. Unless otherwise stated, all bids submitted shall be valid and may not be withdrawn for a period of 120 days from the due date.
7. Each bid form submitted must include the name of the business, mailing address, the name, title and signature of the person submitting the bid. When submitting a bid to Rockdale County the first page of your bid package should be the bid form listing the price, delivery date, etc., unless the bid form is requested to be in a separate envelope.
8. Rockdale County reserves the right to accept a bid that is not the lowest price if, in the County's judgment, such bid is in the best interest of the County and the public. The County reserves the right to reject any and all bids.
9. Telephone, Emailed or Facsimile bids will not be accepted.
10. No sales tax will be charged on any orders except for contracts that include construction materials being purchased through a third party.

Federal I.D. #58-6000882
Sales Tax Exempt #58-800068K
11. If applicable, completed questionnaires must be signed manually. Rockdale County reserves the right to accept or reject any bid on the basis of incomplete or inaccurate answers to the questionnaire.
12. If applicable, warranty information shall be provided.
13. Bidders shall state delivery time after receiving order.
14. Bidders shall identify any subcontractors, and include an explanation of the service or product that they may provide.

BID SPECIFICATIONS:

General: Rockdale is seeking unit pricing for a variety of fencing for various projects.

1. Locations:

- a. The county has 14 parks in Rockdale county and may utilize fencing contractor at any park.
- b. All locations are within 20 miles from downtown Conyers.
- c. The County may use this contract to negotiate fence prices at other properties.

2. Experience:

- a. Contractor shall have not less than 3 years experience furnishing and installing chain link fencing.
- b. Contractor shall provide 3 references and complete the Contractor Qualification Statement and Questionnaire.

3. Sitework:

- a. Contractor is not required to perform any site work with this scope.
- b. The county will clear the path of the fence line.
- c. County will provide any grading necessary to smooth site down to allow contractor to install the fencing.

4. Work in place:

- a. Contractor is responsible for furnishing and installing all fence posts, top rails, bottom tension line, braces fabric, brackets, fasteners, and all equipment needed to perform the scope of work.
- b. Contractor is responsible for digging holes for posts and providing concrete to stabilize the posts as needed.

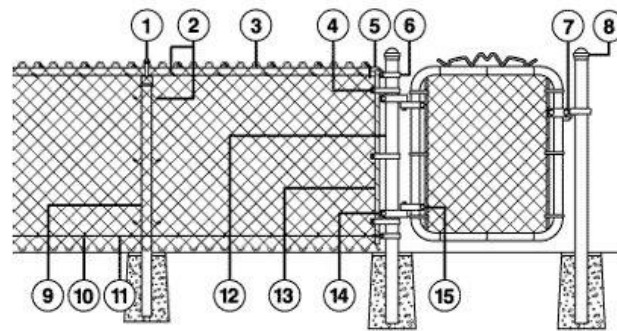
5. Chain link Fencing:

- a. Contractor shall provide fencing per the diagram below to include the following:
 - i. Corner and end posts shall be 16 gauge no less than 2 3/8" diameter
 - ii. Line posts shall be 16 gauge no less than 1 5/8" diameter
 - iii. Fence fabric to be 2" x 9 gauge or 2" x 11 gauge
 - iv. Top rail
 - v. Bottom tension wire
 - vi. Bands, ties, brackets, post tops, latches, hinges, clips and tensions bars
- b. Fence options to be as follows:
 - i. Galvanized fencing:
 1. Pricing to be per linear foot furnished and installed
 2. posts, fabric and all items to be galvanized
 3. height options to be 4ft, 5ft, and 6ft
 - ii. Black vinyl fencing:
 1. Pricing to be per linear foot furnished and installed
 2. Posts and all items shall be painted black to match fabric
 3. fabric shall be black vinyl coated

4. height options to be 4ft, 5ft, and 6ft
- iii. Green vinyl fencing:
 1. Pricing to be per linear foot furnished and installed
 2. Posts and all items shall be painted green to match fabric
 3. fabric shall be green vinyl coated
 4. height options to be 4ft, 5ft, and 6ft
- c. Gates:
 - i. Contractor shall provide pricing for the following options:
 1. Single gates, 4ft high, 5ft high and 6ft high:
 - a. 4ft wide galvanized, black or green vinyl
 - b. 8ft wide galvanized, black or green vinyl
 - c. 12ft wide galvanized, black or green vinyl
 2. Double gates, 6ft high:
 - a. 6ft wide galvanized, black or green vinyl
 - b. 12ft wide galvanized, black or green vinyl
 - c. 20ft wide galvanized, black or green vinyl

CHAIN-LINK FENCE AND GATE

PARTS LIST

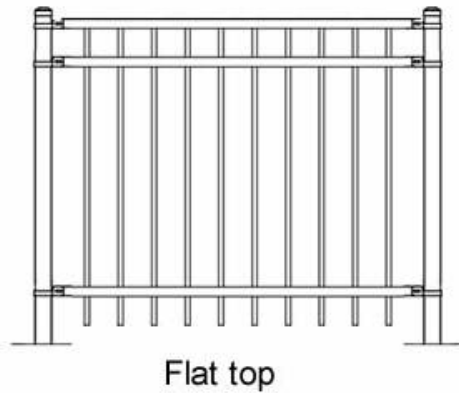


- | | | |
|-----------------|---------------------|-----------------------|
| ① Line Post Top | ⑥ Rail End Band | ⑪ Bottom Tension Wire |
| ② Fence Tie | ⑦ Gate Fork Latch | ⑫ Terminal Post |
| ③ Top Rail | ⑧ Terminal Post Cap | ⑬ Tension Bar |
| ④ Tension Band | ⑨ Line Post | ⑭ Gate Post Hinge |
| ⑤ Rail End | ⑩ Tension Wire Clip | ⑮ Gate Frame Hinge |

6. Steel fencing:

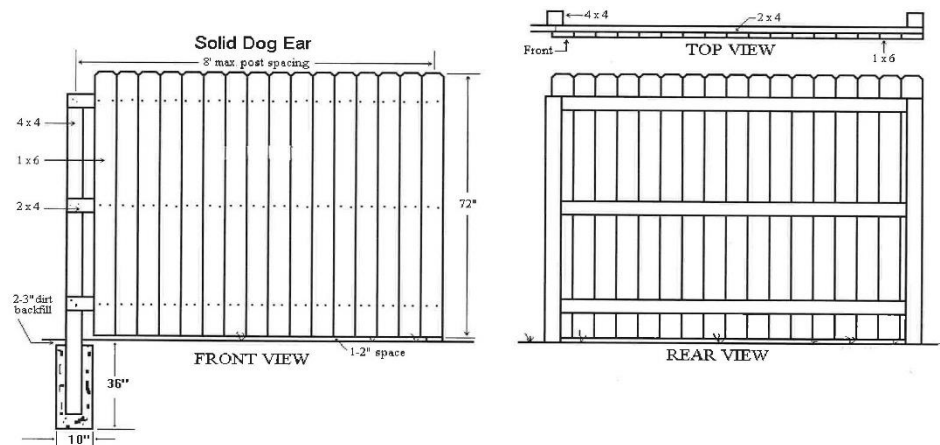
- a. Contractor to provide light commercial steel fencing per the diagram below to include the following at minimum:
 - i. Posts shall be 2.5" x 16 ga nominal
 - ii. Rails shall be 1.5" x 14 ga nominal
 - iii. Pickets shall be 5/8" or 3/4" x 18 ga nominal
 - iv. All posts, rails, pickets, brackets, and screws to be powder coated black
 - v. Fence shall be three rail (2 top, 1 bottom) with flush top posts
 - vi. Joints shall be welded
- b. Fence height shall be 4ft, 5ft, and 6ft
- c. Gate options shall be as follows:
 - i. Single flat top, 4ft, 5ft, or 6ft tall by 4ft and 6ft wide
 - ii. Double flat top, 6ft tall by 8ft and 10ft wide

- iii. Double bell arch top (5ft to 6ft tall) shall be 15ft, 20ft, and 24ft wide
- iv. Posts for gates shall be 4ft or 6ft as required
- d. Basis for design shall be Ameristar "Montage Plus" or equal



7. Privacy fencing:

- a. Contractor shall provide wood privacy fence to include the following:
 - i. Material shall be pressure treated pine
 - ii. Height shall be 6ft
 - iii. Pickets shall be 1x6 dog eared spaced approx 6" on center
 - iv. Rails shall be 2x4's at top, middle and bottom
 - v. Posts shall be 4x4 pressure treated embedded min 24" with 10" concrete footings
 - vi. Gate options shall be single 4ft and double 8ft



BID FORM – ITB #20-05

Instructions: Complete all THREE parts of this bid form.

PART I: Bid Summary

Complete the information below. If you wish to submit more than one brand, make a photocopy of this Bid Form.

	Chain Link Fencing		
1.	Furnish & Install - galvanized, 9ga, 4ft	\$	/LF
2.	Furnish & Install – galvanized, 9ga, 5ft	\$	/LF
3.	Furnish & Install – galvanized, 9ga, 6ft	\$	/LF
4.	Furnish & Install – galvanized, 11ga, 4ft	\$	/LF
5.	Furnish & Install – galvanized, 11ga, 5ft	\$	/LF
6.	Furnish & Install – galvanized, 11ga, 6ft	\$	/LF
7.	Furnish & Install – black or green vinyl, 9ga, 4ft	\$	/LF
8.	Furnish & Install – black of green vinyl, 9ga 5ft	\$	/LF
9.	Furnish & Install – black or green vinyl, 9ga, 6ft	\$	/LF
10.	Furnish & Install – black or green vinyl, 11ga, 4ft	\$	/LF
11.	Furnish & Install – black or green vinyl, 11ga, 5ft	\$	/LF
12.	Furnish & Install – black or green vinyl, 11ga, 6ft	\$	/LF
13.	Furnish & Install gate – galvanized, 4ft high, 4ft single	\$	/EA
14.	Furnish & Install gate – galvanized, 4ft high, 8ft single	\$	/EA
15.	Furnish & Install gate – galvanized, 4ft high, 12ft single	\$	/EA
16.	Furnish & Install gate – galvanized, 5ft high, 4ft single	\$	/EA
17.	Furnish & Install gate – galvanized, 5ft high, 8ft single	\$	/EA
18.	Furnish & Install gate – galvanized, 5ft high, 12ft single	\$	/EA
19.	Furnish & Install gate – galvanized, 6ft high, 4ft single	\$	/EA
20.	Furnish & Install gate – galvanized, 6ft high, 8ft single	\$	/EA
21.	Furnish & Install gate – galvanized, 6ft high, 12ft single	\$	/EA

22.	Furnish & Install gate – galvanized, 6ft high, 6ft double	\$	/EA
23.	Furnish & Install gate – galvanized, 6ft high, 12ft double	\$	/EA
24.	Furnish & Install gate – galvanized, 6ft high, 20ft double	\$	/EA
25.	Furnish & Install gate – black or green vinyl, 4ft high, 4ft single	\$	/EA
26.	Furnish & Install gate – black or green vinyl, 4ft high, 8ft single	\$	/EA
27.	Furnish & Install gate – black or green vinyl, 4ft high, 12ft single	\$	/EA
28.	Furnish & Install gate – black or green vinyl, 5ft high, 4ft single	\$	/EA
29.	Furnish & Install gate – black or green vinyl, 5ft high, 8ft single	\$	/EA
30.	Furnish & Install gate – black or green vinyl, 5ft high, 12ft single	\$	/EA
31.	Furnish & Install gate – black or green vinyl, 6ft high, 4ft single	\$	/EA
32.	Furnish & Install gate – black or green vinyl, 6ft high, 8ft single	\$	/EA
33.	Furnish & Install gate – black or green vinyl, 6ft high, 12ft single	\$	/EA
34.	Furnish & Install gate – black or green vinyl, 6ft high, 6ft double	\$	/EA
35.	Furnish & Install gate – black or green vinyl, 6ft high, 12ft double	\$	/EA
36.	Furnish & Install gate – black or green vinyl, 6ft high, 20ft double	\$	/EA
	Welded Steel Fencing		
37.	Furnish & Install – black steel, 4ft high	\$	/LF
38.	Furnish & Install – black steel, 5ft high	\$	/LF
39.	Furnish & Install – black steel, 6ft high	\$	/LF
40.	Furnish & Install gate – black steel, 4ft high, 4ft single	\$	/EA
41.	Furnish & Install gate – black steel, 5ft high, 4ft single	\$	/EA
42.	Furnish & Install gate – black steel, 6ft high, 4ft single	\$	/EA
43.	Furnish & Install gate – black steel, 4ft high, 6ft single	\$	/EA
44.	Furnish & Install gate – black steel, 5ft high, 6ft single	\$	/EA

45.	Furnish & Install gate – black steel, 6ft high, 6ft single	\$	/EA
46.	Furnish & Install gate – black steel, 6ft high, 8ft double	\$	/EA
47.	Furnish & Install gate – black steel, 6ft high, 10ft double	\$	/EA
48.	Furnish & Install gate – black steel, bell arch, 15ft double	\$	/EA
49.	Furnish & Install gate – black steel, bell arch, 20ft double	\$	/EA
46.	Furnish & Install gate – black steel, bell arch, 24ft double	\$	/EA
	Wood Privacy Fencing		
47.	Furnish & Install – 6ft high	\$	/LF
48.	Furnish & Install gate – 4ft single	\$	/EA
49.	Furnish & Install gate – 8ft double	\$	/EA

PART II: Addenda Acknowledgements (if applicable)

Each vendor is responsible for determining that all addenda issued by the Rockdale County Finance Department – Purchasing Division have been received before submitting a bid.

Addenda	Date Vendor Received	Initials
"1"		
"2"		
"3"		
"4"		
"5"		
"6"		

PART III: Vendor Information:

Company Name	
Address	
Telephone	
E-Mail	
Representative (print name)	
Signature of Representative	
Date Submitted	

Contractor Affidavit under O.C.G.A. §13-10-91(b)(1)

By executing this affidavit, the undersigned contractor verifies its compliance with O.C.G.A. §13-10-91, stating affirmatively that the individual, firm or corporation which is engaged in the physical performance of services on behalf of (name of public employer) has registered with, is authorized to use and uses the federal work authorization program commonly known as E-Verify, or any subsequent replacement program, in accordance with the applicable provisions and deadlines established in O.C.G.A. §13-10-91. Furthermore, the undersigned contractor will continue to use the federal work authorization program throughout the contract period and the undersigned contractor will contract for the physical performance of services in satisfaction of such contract only with subcontractors who present an affidavit to the contractor with the information required by O.C.G.A. §13-10-91(b). Contractor hereby attests that its federal work authorization user identification number and date of authorization are as follows:

Federal Work Authorization User Identification Number

Date of Authorization

Name of Contractor

Name of Project

Name of Public Employer

I hereby declare under penalty of perjury that the foregoing is true and correct.

Executed on _____, ____, 202__ in _____(city), _____(state).

Signature of Authorized Officer or Agent

Printed Name and Title of Authorized Officer or Agent

SUBSCRIBED AND SWORN BEFORE ME
ON THIS THE _____ DAY OF _____, 202__.

NOTARY PUBLIC
My Commission Expires:

Subcontractor Affidavit under O.C.G.A. § 13-10-91(b)(3)

By executing this affidavit, the undersigned subcontractor verifies its compliance with O.C.G.A. § 13-10-91, stating affirmatively that the individual, firm or corporation which is engaged in the physical performance of services under a contract with (name of contractor) on behalf of (name of public employer) has registered with, is authorized to use and uses the federal work authorization program commonly known as E-Verify, or any subsequent replacement program, in accordance with the applicable provisions and deadlines established in O.C.G.A. § 13-10-91. Furthermore, the undersigned subcontractor will continue to use the federal work authorization program throughout the contract period and the undersigned subcontractor will contract for the physical performance of services in satisfaction of such contract only with sub-subcontractors who present an affidavit to the subcontractor with the information required by O.C.G.A. § 13-10-91(b). Additionally, the undersigned subcontractor will forward notice of the receipt of an affidavit from a sub-subcontractor to the contractor within five business days of receipt. If the undersigned subcontractor receives notice that a sub-subcontractor has received an affidavit from any other contracted sub-subcontractor, the undersigned subcontractor must forward, within five business days of receipt, a copy of the notice to the contractor. Subcontractor hereby attests that its federal work authorization user identification number and date of authorization are as follows:

Federal Work Authorization User Identification Number

Date of Authorization

Name of Subcontractor

Name of Project

Name of Public Employer

I hereby declare under penalty of perjury that the foregoing is true and correct.

Executed on _____, ____, 202__ in _____(city), _____(state).

Signature of Authorized Officer or Agent

Printed Name and Title of Authorized Officer or Agent

SUBSCRIBED AND SWORN BEFORE ME
ON THIS THE _____ DAY OF _____, 202__.

NOTARY PUBLIC
My Commission Expires:

Sub-subcontractor Affidavit under O.C.G.A. §13-10-91(b)(4)

By executing this affidavit, the undersigned sub-subcontractor verifies its compliance with O.C.G.A. §13-10-91, stating affirmatively that the individual, firm or corporation which is engaged in the physical performance of services under a contract for (name of subcontractor or sub-subcontractor with whom such sub-subcontractor has privity of contract) and (name of contractor) on behalf of (name of public employer) has registered with, is authorized to use and uses the federal work authorization program commonly known as E-Verify, or any subsequent replacement program, in accordance with the applicable provisions and deadlines established in O.C.G.A. §13-10-91. Furthermore, the undersigned sub-subcontractor will continue to use the federal work authorization program throughout the contract period and the undersigned sub-subcontractor will contract for the physical performance of services in satisfaction of such contract only with sub-subcontractors who present an affidavit to the sub-subcontractor with the information required by O.C.G.A. §13-10-91(b). The undersigned sub-subcontractor shall submit, at the time of such contract, this affidavit to (name of subcontractor or sub-subcontractor with whom such sub-subcontractor has privity of contract). Additionally, the undersigned sub-subcontractor will forward notice of the receipt of any affidavit from a sub-subcontractor to (name of subcontractor or sub-subcontractor with whom such sub-subcontractor has privity of contract). Sub-subcontractors hereby attest that its federal work authorization user identification number and date of authorization are as follows:

Federal Work Authorization User Identification Number

Date of Authorization

Name of Sub-Subcontractor

Name of Project

Name of Public Employer

I hereby declare under penalty of perjury that the foregoing is true and correct.

Executed on _____, ____, 202__ in _____(city), _____(state).

Signature of Authorized Officer or Agent

Printed Name and Title of Authorized Officer or Agent

SUBSCRIBED AND SWORN BEFORE ME
ON THIS THE _____ DAY OF _____, 202__.

NOTARY PUBLIC
My Commission Expires: _____

Affidavit Verifying Status for County Public Benefit Application

By executing this affidavit under oath, as an applicant for the award of a contract with Rockdale, County Georgia, I _____ . [Name of natural person applying on behalf of individual, business, corporation, partnership, or other private entity] am stating the following as required by O.C.G.A. Section 50-36-1:

1) _____ I am a United States citizen

OR

2) _____ I am a legal permanent resident 18 years of age or older or I am an otherwise qualified alien or non-immigrant under the Federal Immigration and Nationality Act 18 years of age or older and lawfully present in the United States.*

In making the above representation under oath, I understand that any person who knowingly and willfully makes a false, fictitious, or fraudulent statement or representation in an affidavit shall be guilty of a violation of Code Section 16-10-20 of the Official Code of Georgia.

Signature of Applicant:

Date

Printed Name:

*

Alien Registration number for non-citizens

SUBSCRIBED AND SWORN
BEFORE ME ON THIS THE
_____ DAY OF _____, 20____.

Notary Public
My commission Expires:

***Note:** O.C.G.A. § 50-36-1(e)(2) requires that aliens under the federal Immigration and Nationality Act, Title 8 U.S.C., as amended, provide their registration number. Because legal permanent residents are included in the federal definition of "alien", legal permanent residents must also provide their alien registration number. Qualified aliens that do not have an alien registration number may supply another identifying number below.

CONTRACTOR'S QUALIFICATION STATEMENT AND QUESTIONNAIRE

NAME OF PROPOSED CONTRACTOR: _____

I. INSTRUCTIONS

- A. All questions are to be answered in full. If copies of other documents will answer the question completely, they may be attached and clearly labeled. If additional space is needed, additional pages may be attached and clearly labeled.
- B. The owner, Rockdale County, Georgia, its agents and representatives, shall be entitled to contact each and every reference listed in response to this questionnaire, and each entity referenced in any response to any question in this questionnaire. By completing this questionnaire, the contractor expressly agrees that any information concerning the contractor in possession of said entities and references may be made available to the owner.
- C. Only complete and accurate information shall be provided by the contractor. The contractor hereby warrants that, to the best of its knowledge and belief, the responses contained herein are true, accurate, and complete. The contractor also acknowledges that the owner is relying on the truth and accuracy of the responses contained herein. If it is later discovered that any material information given in response to a question was provided by the contractor, knowing it was false, it shall constitute grounds for immediate termination or rescission by the owner of any subsequent agreement between the owner and the contractor. The owner shall also have and retain any other remedies provided by law.
- D. The completed form shall be submitted with contractor's proposals.
- E. This form, its completion by the contractor, and its use by the contractor, and its use by the owner, shall not give rise to any liability on the part of the owner to the contractor or any third party or person.

II. GENERAL BACKGROUND

- A. Current address of contractor: _____

- B. Previous Name or address of contractor: _____

- C. Current president or CEO and years in position: _____
- D. Number of permanent employees: _____
- E. Name and address of affiliated companies: _____

III. FINANCIAL STATUS

- A. Please attach financial statements for the past three years for which they are complete. If such statements are not available, please furnish the following information:

1. LAST COMPLETE FISCAL YEAR:

- A. Revenues (Gross) _____
- B. Expenditures (Gross) _____
- C. Overhead & Admin (Gross) _____
- D. Profit (Gross) _____

2. YEAR PRIOR TO "1" ABOVE:

- A. Revenues (Gross) _____
- B. Expenditures (Gross) _____
- C. Overhead & Admin (Gross) _____
- D. Profit (Gross) _____

3. YEAR PRIOR TO "2" ABOVE:

- A. Revenues (Gross) _____
- B. Expenditures (Gross) _____
- C. Overhead & Admin (Gross) _____
- D. Profit (Gross) _____

B. BANKRUPTCIES

1. Has the Contractor, or any of its parents or subsidiaries, ever had a Bankruptcy Petition filed in its name, voluntarily or involuntarily? (If yes, specify date, circumstances, and resolution).

2. Has any Majority Shareholder ever had a Bankruptcy Petition filed in his/her name, voluntarily or involuntarily? (If yes, specify date, circumstances, and resolution).

C. BONDING

1. What is the Contractor's current bonding capacity? _____

2. What is the value of the Contractor's work currently under contract? _____

IV. COMPANY EXPERIENCE – SIMILAR PROJECTS

A. List three projects of reasonably similar nature, scope, and duration performed by your company in the last five years, specifying, where possible, the name and last known address of each owner of those projects:

Reference/Project #1:

Name and Address: _____

Date of Construction/Project:

Type of Construction/Project:

Contract Price:

Owner contact info:

Architect/Engineer contact info:
(if applicable)

Reference/Project #2:

Name and Address:

Date of Construction/Project:

Type of Construction/Project:

Contract Price:

Owner contact info:

Architect/Engineer contact info:
(if applicable)

Reference/Project #3:

Name and Address:

Date of Construction/Project:

Type of Construction/Project:

Contract Price:

Owner contact info:

Architect/Engineer contact info:
(if applicable)

V. ARBITRATIONS, LITIGATIONS, AND OTHER PROCEEDINGS

Has your company been involved in any construction arbitration demands filed by, or against, you in the last five years? _____

Has your company been involved in any construction-related lawsuits (other than labor or personal injury litigation) filed by, or against, you in the last five years? _____

Has your company been involved in any lawsuits, proceedings, or hearings initiated by the National Labor Relations Board or similar state agency in the past seven years? _____

Has your company been involved in any lawsuits, proceedings, or hearings initiated by the Occupational Safety and Health Administration concerning the project safety practices of the Contractor in the last seven years? _____

Has your company be involved in any lawsuits, proceedings, or hearings initiated by the Internal Revenue Service, or any state revenue department, concerning the tax liability of the Contractor (other than audits) in the last seven years? _____

Have any criminal proceedings or investigations been brought against the Contractor in the last ten years? _____

If you answered yes to any of the questions above, please identify the nature of the claim, the amount in dispute, the parties, and the ultimate resolution of the proceeding (attach documentation if needed):

VI. COMMENTS

Please list any additional information that you believe would assist the Owner in evaluating the possibility of using the Contractor on this Project. You may attach such additional information as an Exhibit to this Statement and Questionnaire.

I certify to the Owner that the information and responses provided on this Questionnaire are true, accurate and complete. The Owner, or its designated representative, may contact any entity or reference listed in this Questionnaire. Each entity or reference may make any information concerning the Contractor available to the Owner, or its designated representative.

Contractor:

Signature

Date

Title

Sworn to and subscribed before me
This _____ day of _____

Signature

Notary Public

My Commission Expires: