

LAKE WILSON ROAD GRAVITY SEWER EXTENSION CONSTRUCTION PLAN

for

CITY OF WILSON Wilson County, North Carolina DECEMBER, 2020



MAYOR:

CARLTON L. STEVENS

COUNCIL MEMBERS:

MICHAEL S. BELL
DEREK D. CREECH
DONALD I. EVANS
WILLIAM THOMAS "TOM" FYLE
JAMES M. JOHNSON, III
LOGAN T. LILES
GILLETTIA MORGAN

CITY MANAGER:

GRANT W. GOINGS

DEPUTY CITY MANAGER:

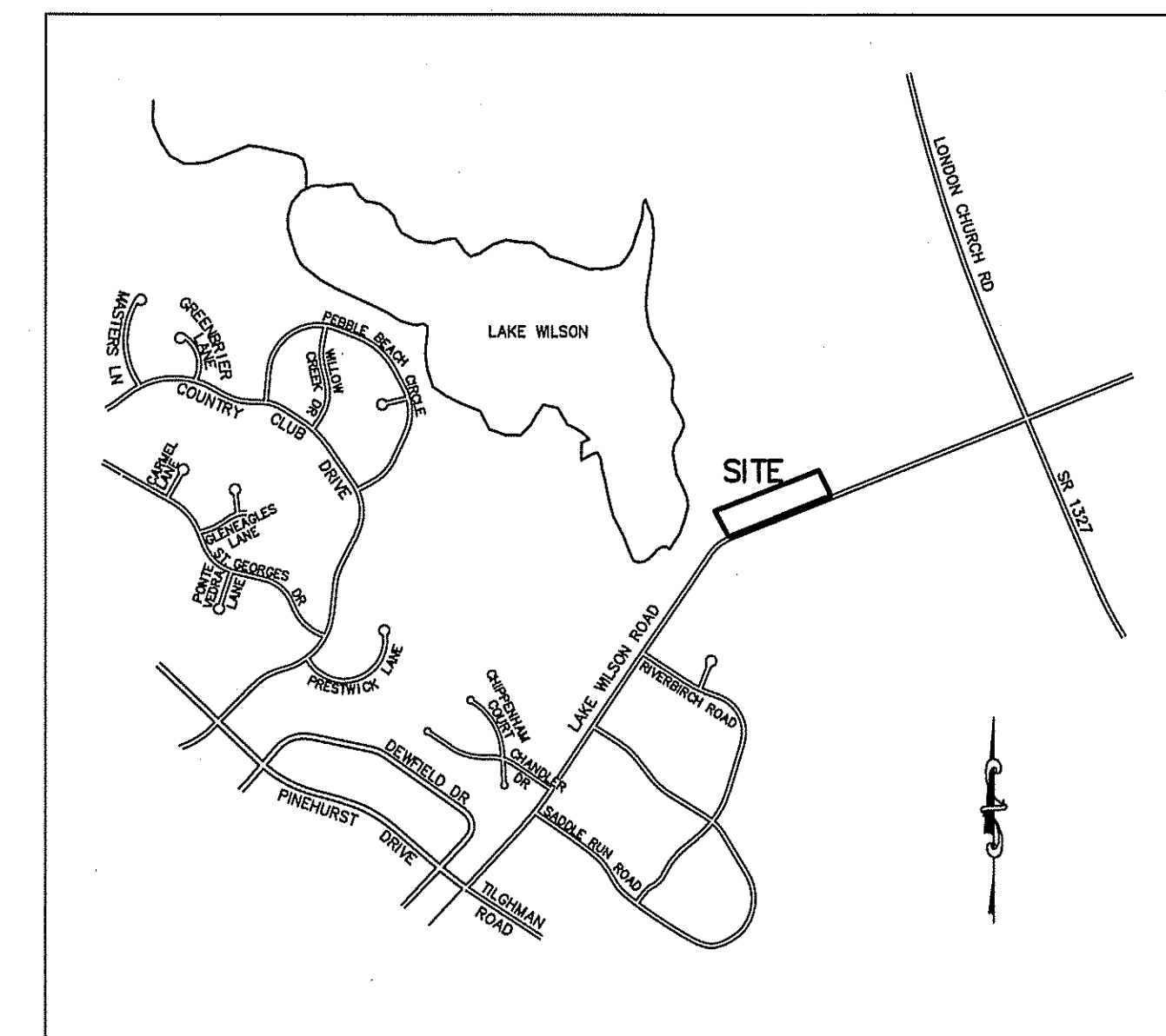
HARRY TYSON

CITY CLERK:

TONYA A. WEST

PUBLIC WORKS DIRECTOR:

W.T. "BILL" BASS, IV



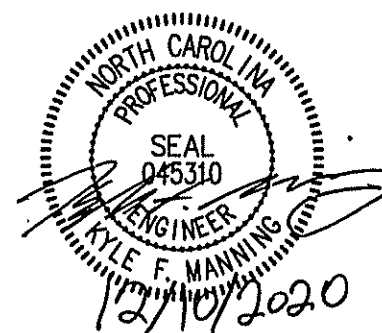
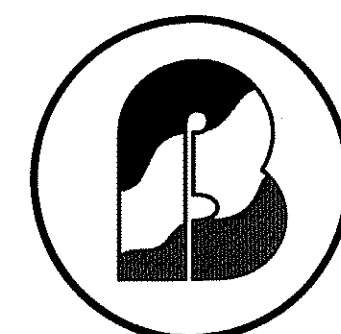
LOCATION MAP
NO SCALE

SHEET INDEX

CV	COVER SHEET
CP1	PLAN & PROFILE
DT1	DETAILS

PREPARED BY:

BARTLETT ENGINEERING & SURVEYING, PC
1906 NASH STREET NORTH
WILSON, NORTH CAROLINA 27893-1726



BARTLETT
ENGINEERING & SURVEYING, PC
1906 NASH STREET NORTH
WILSON, N.C. 27893-1726
TELE: (252) 399-0704
FAX: (252) 399-0804
LICENSE# C-1551
www.bartlett.us.com

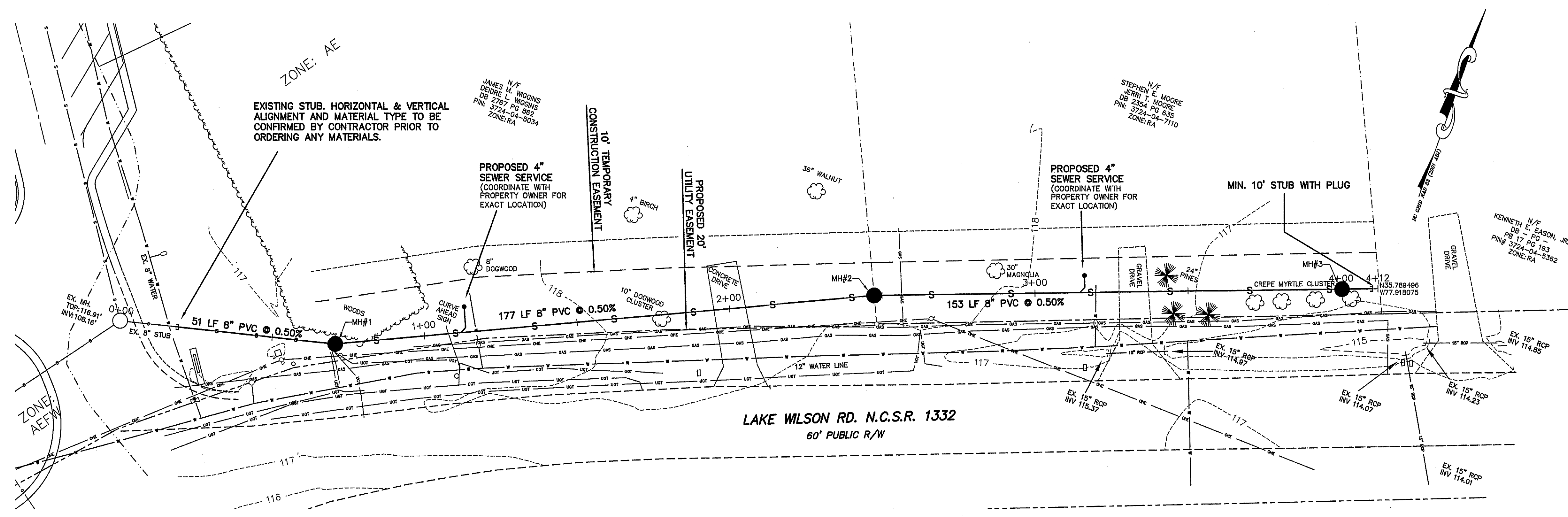
COVER SHEET

LAKE WILSON ROAD
SANITARY SEWER EXTENSION
CITY OF WILSON
WILSON COUNTY

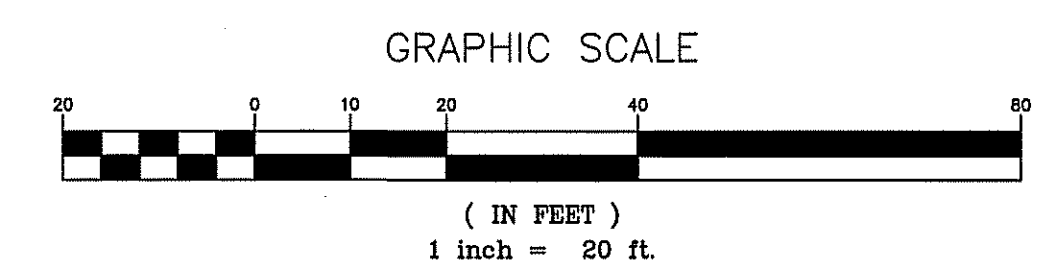
DATE: DECEMBER 2020
SURVEY BY:
DRAWN BY: LR
CLIENT CODE: WC
PROJECT: 18-307
CADFILE: 18307CP2
SCALE: NTS

REVISIONS

SHEET
CV



SANITARY SEWER MAIN - L1 -
 (Sta. 0+00 to Sta. 4+10)
PLAN VIEW



EXISTING CONDITIONS:
 THE CONTRACTOR SHALL BE RESPONSIBLE FOR REVIEWING ALL EXISTING JOB CONDITIONS. ANY ADVERSE CONDITIONS AFFECTING WORK SHOWN ON THESE DRAWINGS SHALL BE BROUGHT TO THE ATTENTION OF THE ARCHITECT OR ENGINEER FOR POSSIBLE CLARIFICATION OR RECONCILIATION.

CONSTRUCTION SAFETY:
 THESE DRAWINGS DO NOT CONTAIN THE REQUIREMENTS FOR JOB SAFETY. ALL PROVISIONS FOR SAFETY SHALL BE SOLE RESPONSIBILITY OF THE CONTRACTOR.

GENERAL NOTES:
 WORK WITHIN THE NCDOT RIGHT-OF-WAY SHALL CONFORM TO NCDOT STANDARDS AND SPECIFICATIONS. CALL ONE CALL CENTER AT 1-800-632-4949 FOR LOCATIONS OF EXISTING UTILITIES PRIOR TO EXCAVATION.

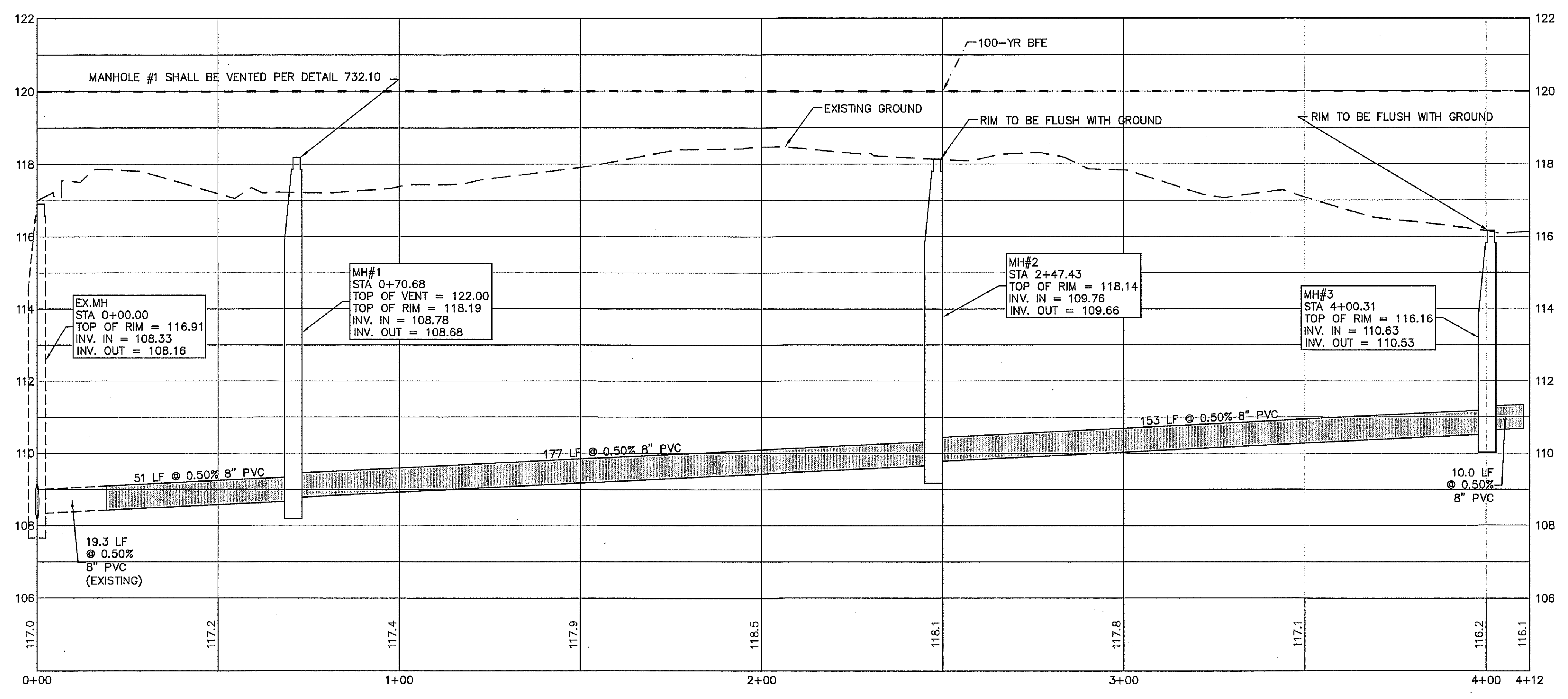
THE CONTRACTOR SHALL BE RESPONSIBLE FOR ALL WORK ZONE TRAFFIC CONTROL IN OR ADJACENT TO NCDOT OR CITY RIGHT-OF-WAY. ALL METHODS SHALL CONFORM TO THE MANUAL ON UNIFORM TRAFFIC CONTROL DEVICES (MUTCD) AND NCDOT STANDARDS.

DEMOLITION NOTES:

- UNUSABLE EXCAVATED MATERIALS SHALL BE DISPOSED OF AT AN APPROVED PERMITTED OFF-SITE LOCATION BY CONTRACTOR.
- CONTRACTOR SHALL NOTIFY AND COOPERATE WITH ALL UTILITY COMPANIES OR FIRMS HAVING FACILITIES ON OR ADJACENT TO THE SITE BEFORE DISTURBING, ALTERING, REMOVING, RELOCATING, ADJUSTING OR CONNECTING TO SAID FACILITIES.
- COORDINATE WITH THE LOCAL UTILITY PROVIDER FOR REMOVAL/RELOCATION OF EXISTING ELECTRICAL TRANSFORMERS AND/OR LIGHT POLES.
- CONCRETE DRIVEWAYS TO BE REMOVED TO NEAREST JOINT OR SAW-CUT IN A MANNER SUCH THAT NO JOINT IS LESS THAN 5 FEET.
- ANY EXISTING CURB & GUTTER OR ASPHALT DAMAGED DURING CONSTRUCTION WILL BE REPLACED BY THE CONTRACTOR AT NO ADDITIONAL COST TO THE OWNER.

NOTES:

- AREAS COMPUTED BY COORDINATE CALCULATIONS.
- ALL DISTANCES SHOWN ARE HORIZONTAL UNLESS NOTED OTHERWISE.
- ALL RIGHTS-OF-WAY ARE PUBLIC UNLESS NOTED OTHERWISE.
- WETLANDS, IF ANY, HAVE NOT BEEN DELINEATED
- THERE ARE NO CEMETERIES VISIBLE.
- THIS PROPERTY IS SUBJECT TO ALL RIGHTS-OF-WAY, EASEMENTS, RESTRICTIVE COVENANTS AND ORDINANCES.
- UNDERGROUND UTILITIES SHOWN ARE APPROXIMATE LOCATIONS ONLY.
- THIS PROPERTY IS LOCATED IN THE 100-YR FLOOD HAZARD AREA AND THE FLOODWAY, PANEL NO. 3720371400K & 3720372400K DATED 4/16/2013.
- A TITLE REPORT HAS X HAS NOT BEEN SUPPLIED FOR THIS PROPERTY OR THIS SURVEY.



ALL MANHOLES ARE LOCATED BELOW THE 100-YR BFE, THUS WATERTIGHT MANHOLE COVERS SHALL BE USED FOLLOWING DETAIL 735.01 ON ALL MANHOLES.

WATER, SEWER, AND STORM DRAINAGE LINES SHALL BE CONSTRUCTED TO THE FOLLOWING SPECIFICATIONS:

- MIN. 10' LATERAL SEPARATION BETWEEN WATER/SEWER LINES.
- MIN. 24" VERT. SEPARATION BETWEEN WATER/SEWER, IF WATER MUST BE PLACED BELOW SEWER, DUCTILE IRON IS REQUIRED ON BOTH LINES. DUCTILE IRON SHOULD EXTEND 10' PAST INTERSECTION ON WATER LINE AND TO THE NEXT MANHOLE ON SEWER LINE PER CITY OF WILSON SPECIFICATIONS.
- WATER/SEWER CROSSINGS SHALL BE ARRANGED SO THAT SEWER JOINTS ARE EQUIDISTANT AND AS FAR AS POSSIBLE FROM THE WATER MAIN JOINTS.
- MIN. 24" VERT. SEPARATION BETWEEN STORM DRAIN AND SAN. SEWER OR DUCTILE IRON IS REQUIRED.

CONTRACTOR RESPONSIBLE FOR COMPLYING WITH ALL REQUIREMENTS/CONDITIONS OF ALL ENCROACHMENTS & PERMITS INCLUDING PROVIDING BONDS/INSURANCE IF REQUIRED.

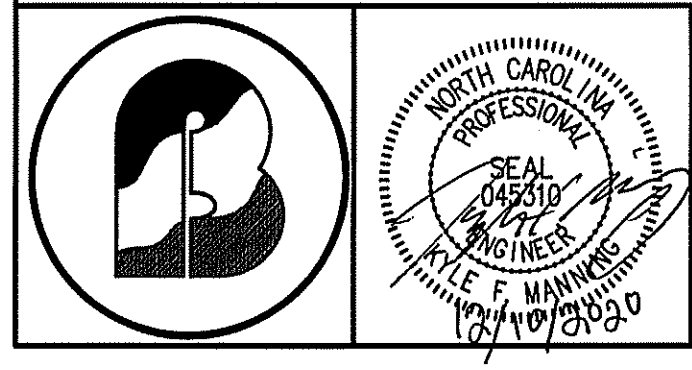
CONTRACTOR IS RESPONSIBLE FOR COORDINATING REQUIRED INSPECTIONS BY NCDOT AND/OR WITH MUNICIPALITY.

LOCATION, QUANTITY AND PLACEMENT OF DRAINAGE PIPES AND EROSION CONTROL DEVICES MAY VARY TO BETTER CONFORM TO FIELD CONDITIONS.

UTILITIES SHOWN ON PLANS ARE LOCATED APPROXIMATELY. CONTRACTOR SHALL BE RESPONSIBLE FOR VERIFYING THE LOCATION OF ALL EXISTING UTILITIES AND SERVICES WHETHER SHOWN ON PLANS OR NOT.

CALL ONE CALL CENTER AT 1-800-632-4949 FOR LOCATIONS OF EXISTING UTILITIES PRIOR TO ANY CONSTRUCTION

CONTRACTOR TO BE RESPONSIBLE FOR REMOVAL AND REPLACEMENT OF THESE FACILITIES IF DAMAGED.



BARTLETT
 ENGINEERING & SURVEYING, PC

1906 NASH STREET NORTH
 WILSON, N.C. 27893-1726
 License No. C-1551

TELE: (252) 399-0704
 FAX: (252) 399-0804
 www.bartlett.us.com

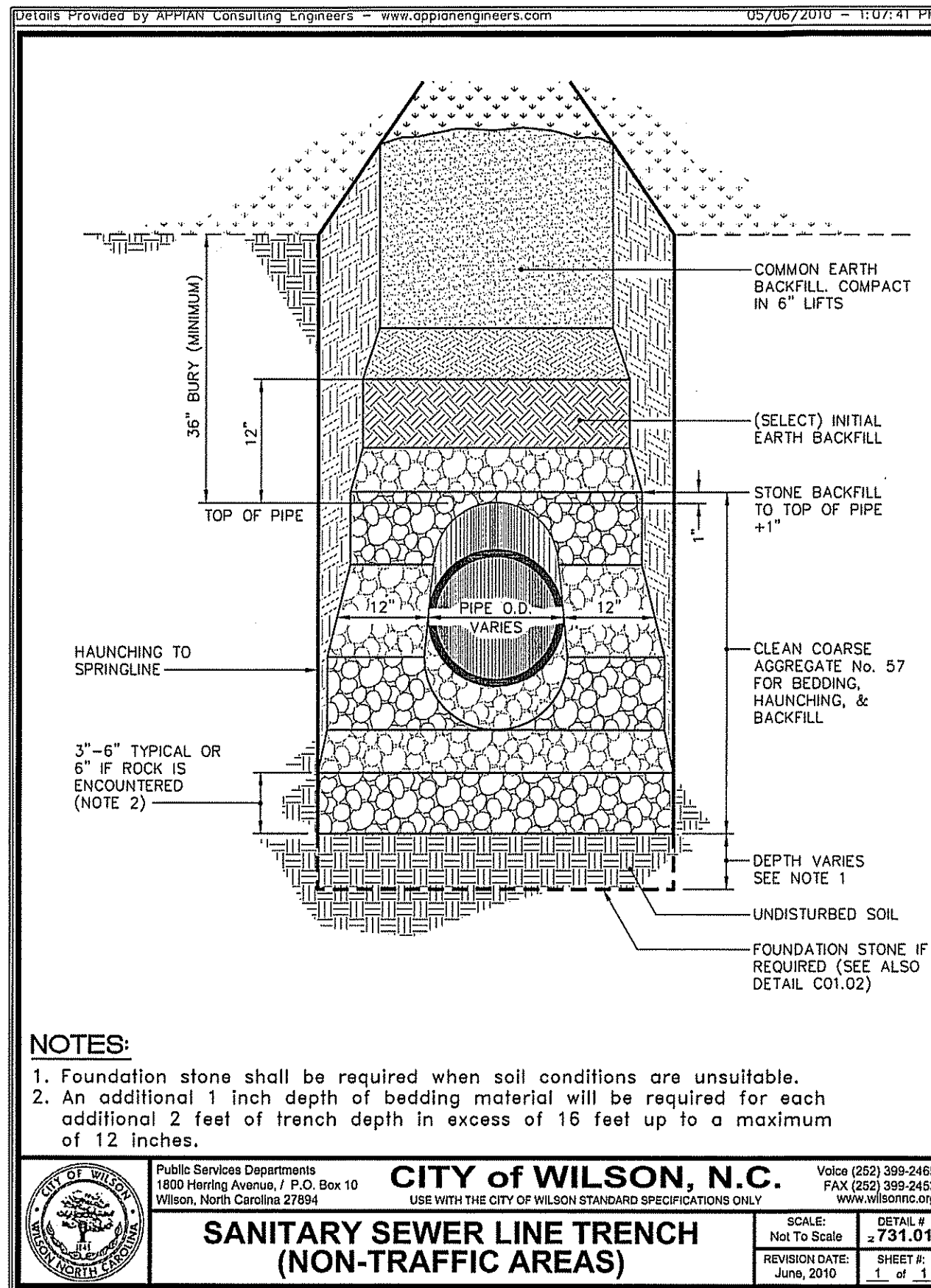
PLAN AND PROFILE

LAKE WILSON RD
 GRAVITY SEWER EXTENSION

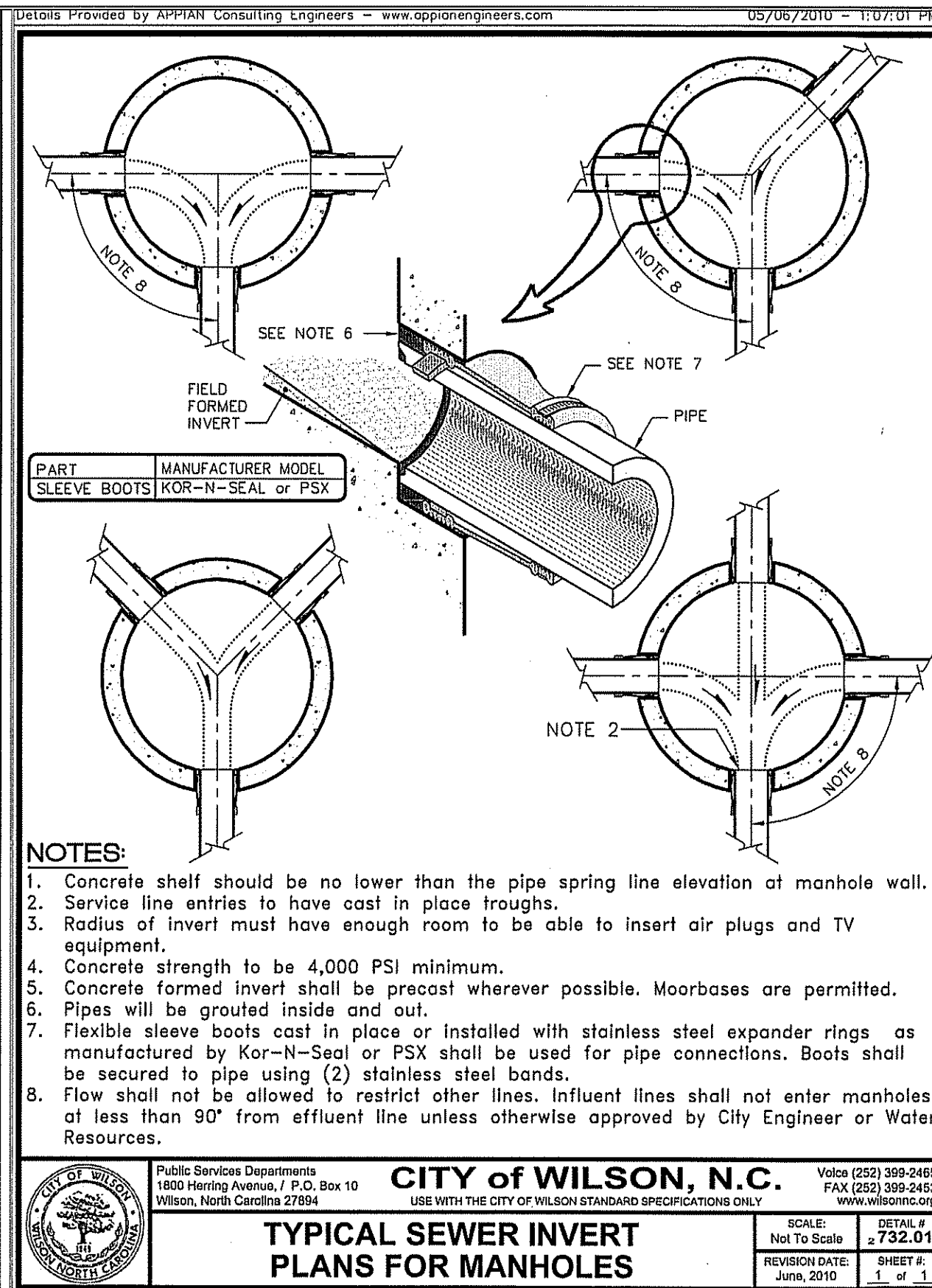
DATE: DEC. 2020
 SCALE(HORZ): 1" = 20'
 SCALE(VERT): 1" = 2'
 REVISIONS:

PROJECT: 18-307 CLIENT CODE: WC CAD FILE: 18307CP2-ROAD.EXT FIELD BOOK: 350 DRAWN BY: TRB/RF SURVEY BY: DAB/JEB	CITY OF WILSON	WILSON COUNTY
	NORTH CAROLINA	ZONE: OS
	PIN #	SHEET CP1

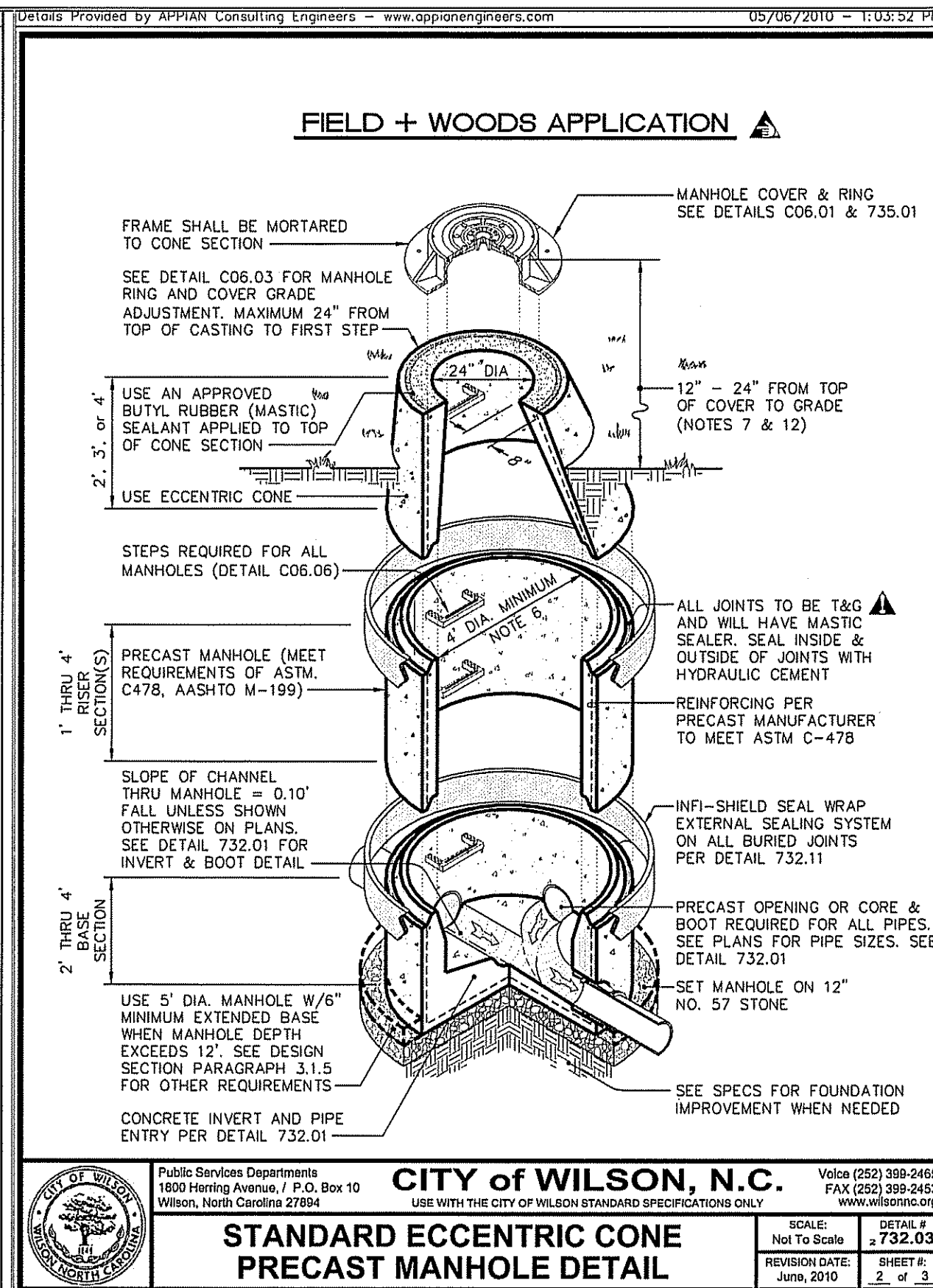
P:\CADD\LANDPROJETS\18307\08\18307CP2-ROAD.EXT.dwg, Dec 10, 2020 4:30PM EST



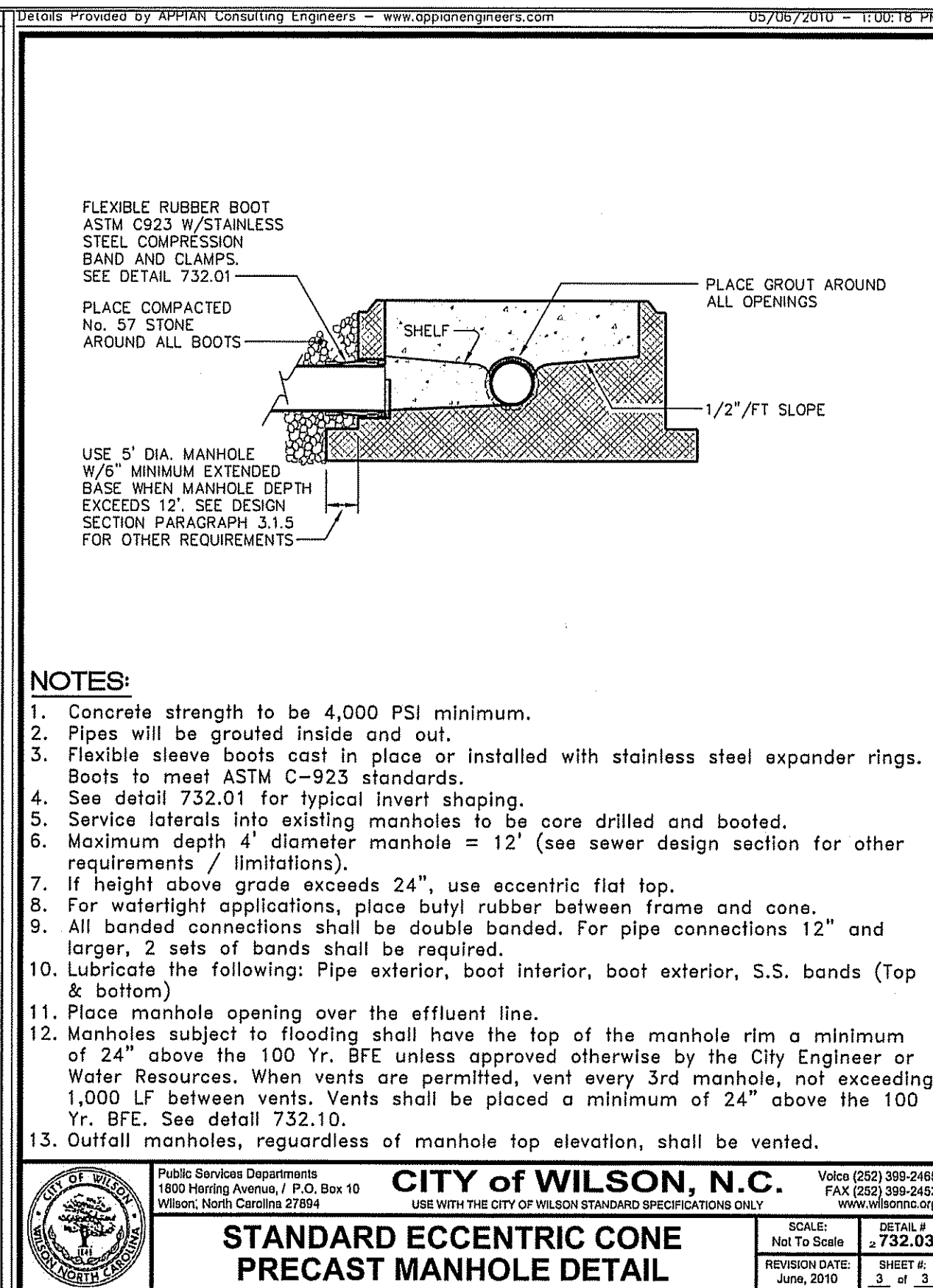
CITY OF WILSON, N.C.
SANITARY SEWER LINE TRENCH (NON-TRAFFIC AREAS)



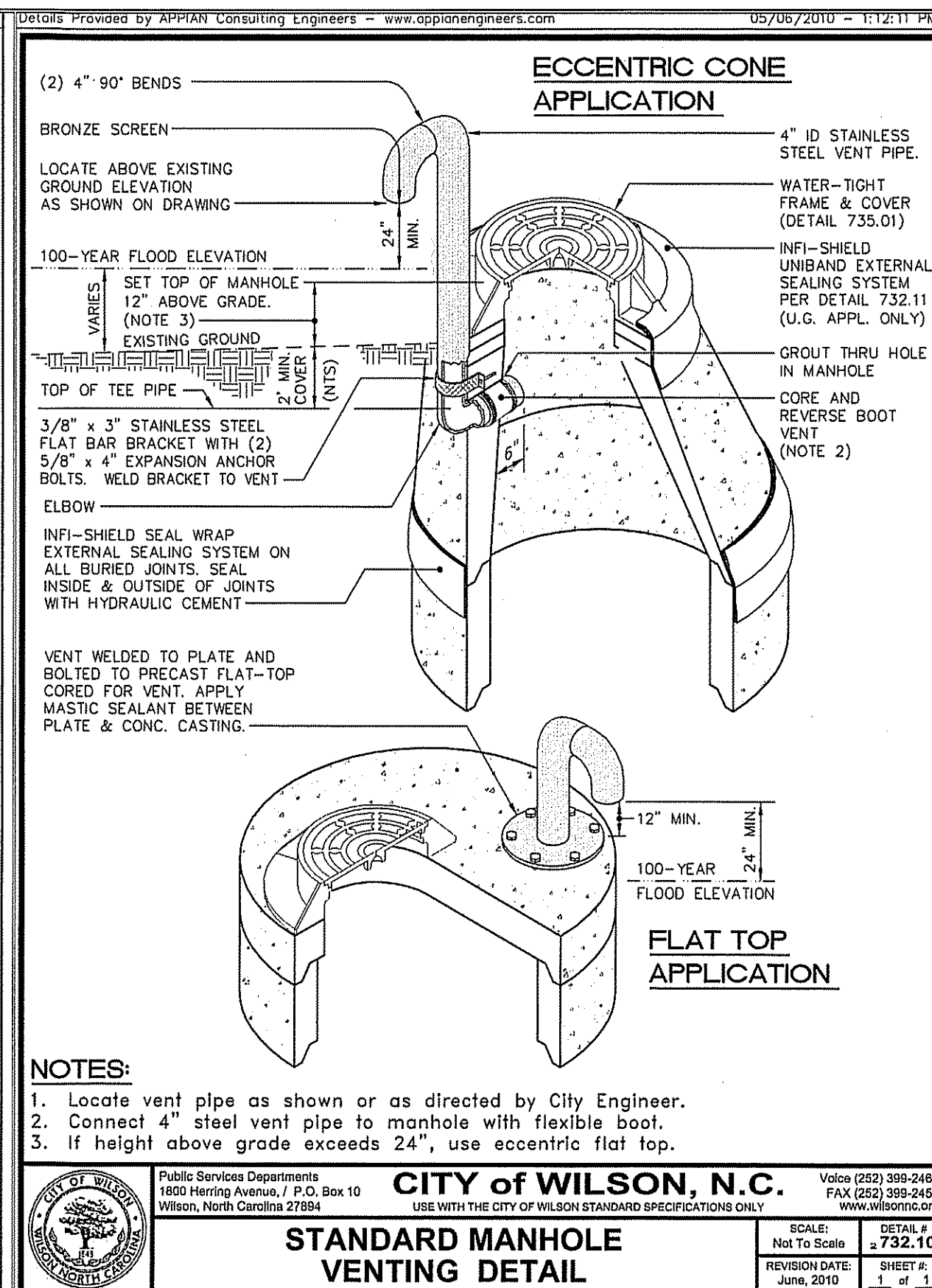
CITY OF WILSON, N.C.
TYPICAL SEWER INVERT PLANS FOR MANHOLES



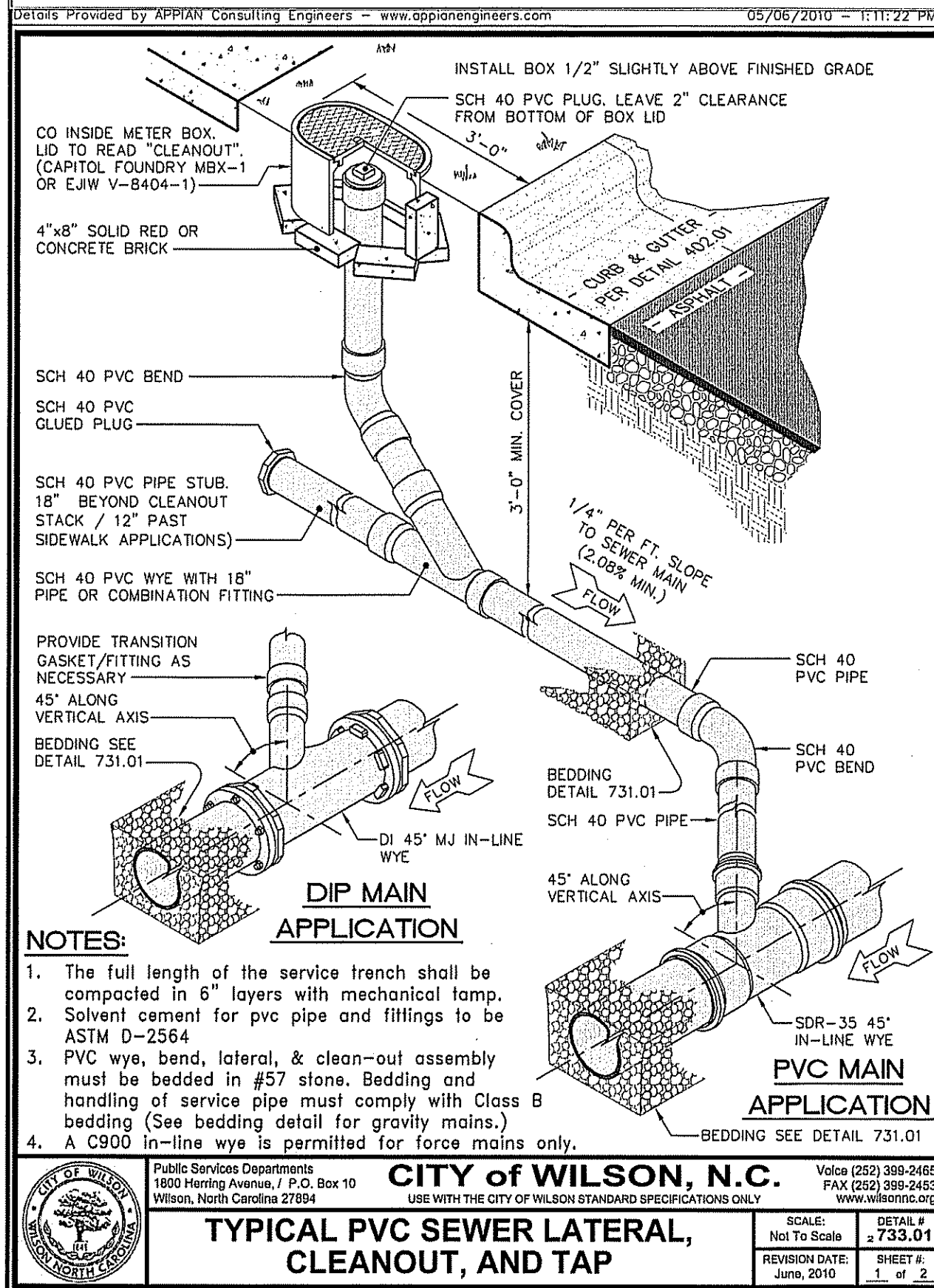
CITY OF WILSON, N.C.
STANDARD ECCENTRIC CONE PRECAST MANHOLE DETAIL



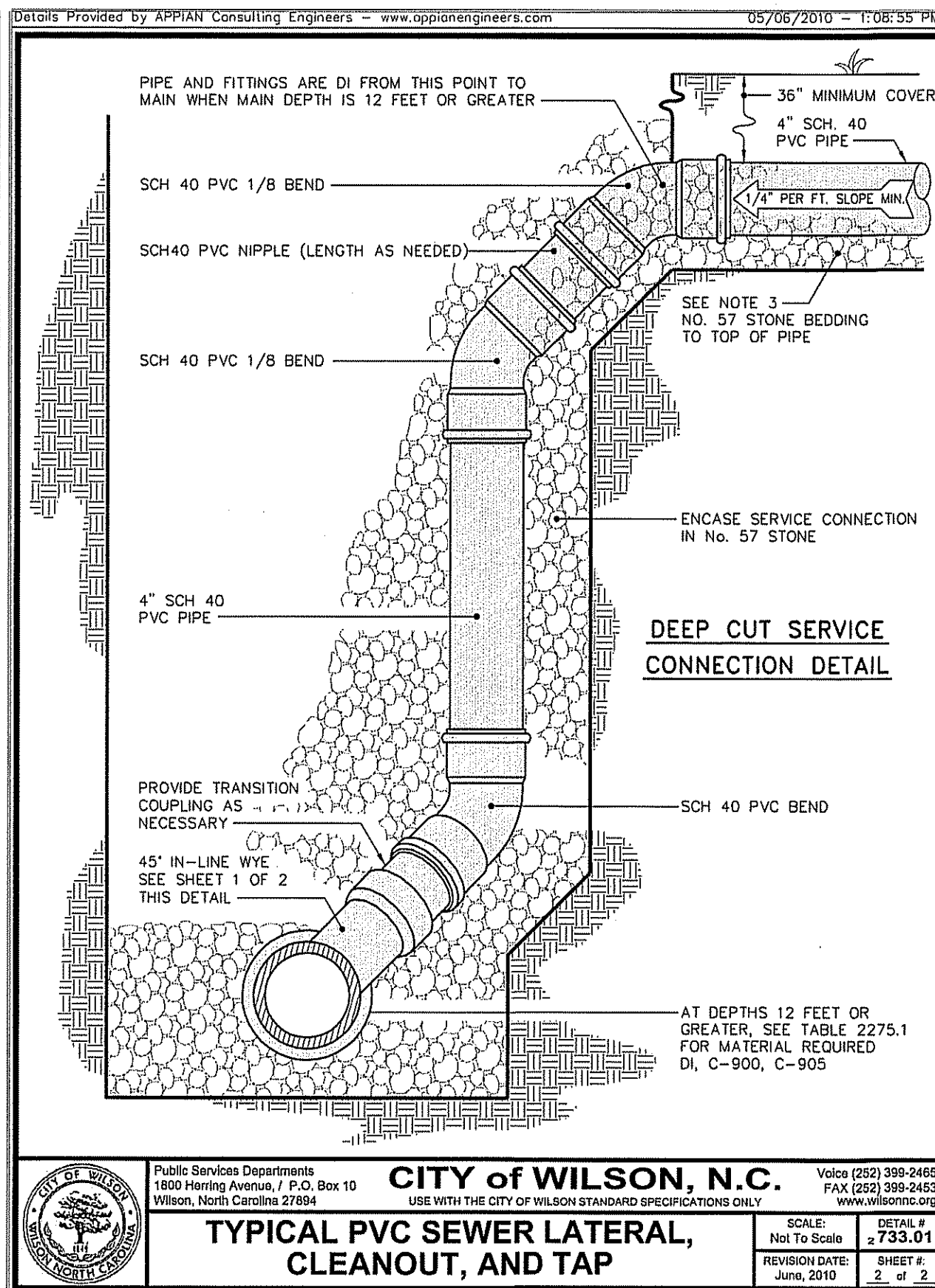
CITY OF WILSON, N.C.
STANDARD ECCENTRIC CONE PRECAST MANHOLE DETAIL



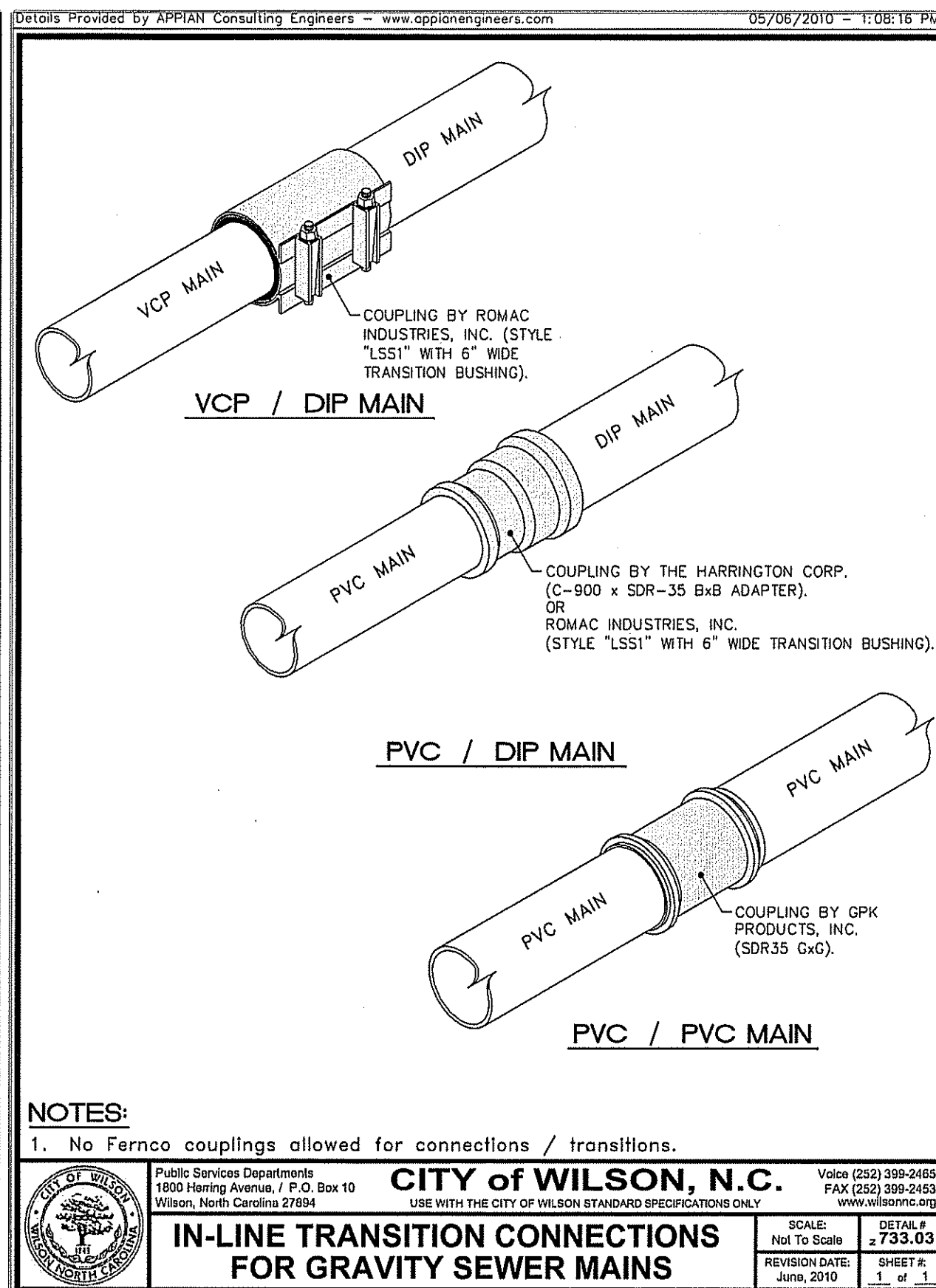
CITY OF WILSON, N.C.
STANDARD MANHOLE VENTING DETAIL



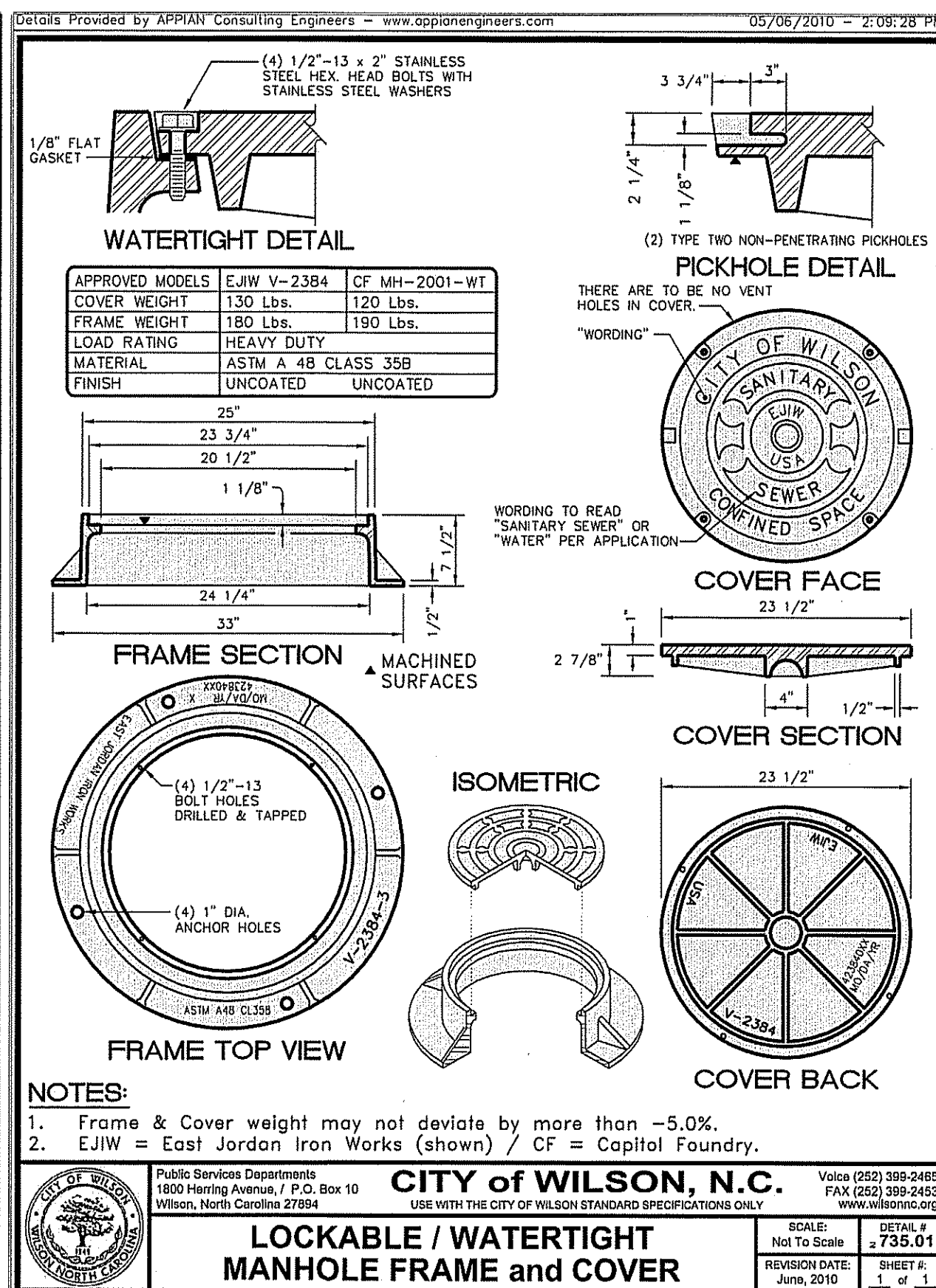
CITY OF WILSON, N.C.
TYPICAL PVC SEWER LATERAL, CLEANOUT, AND TAP



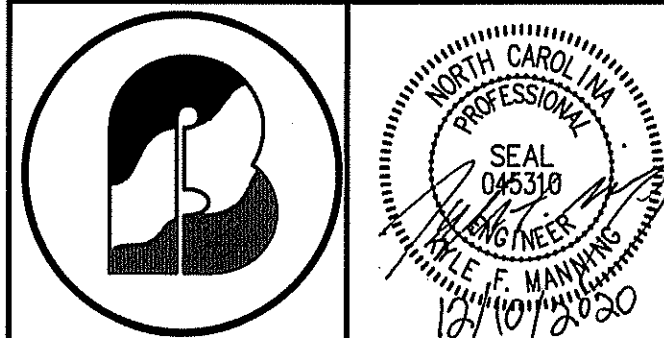
CITY OF WILSON, N.C.
TYPICAL PVC SEWER LATERAL, CLEANOUT, AND TAP



CITY OF WILSON, N.C.
IN-LINE TRANSITION CONNECTIONS FOR GRAVITY SEWER MAINS



CITY OF WILSON, N.C.
LOCKABLE / WATERTIGHT MANHOLE FRAME AND COVER



BARTLETT
ENGINEERING & SURVEYING, PC
 1906 NASH STREET NORTH
 WILSON, N.C. 27893-1726
 License No. C-1551

TELE: (252) 399-0704
 FAX: (252) 399-0804
 www.bartlett.us.com

DETAILS

LAKE WILSON RD
GRAVITY SEWER EXTENSION

DATE: DEC. 2020
 SCALE(HORZ): AS SHOWN
 SCALE(VERT):
 REVISIONS:

PROJECT: 18-307
 CLIENT CODE: WC
 CADFILE: 18307CP2-ROAD.EXT
 FIELD BOOK: 349
 DRAWN BY: TRB/LR
 SURVEY BY: TRB/HMO

CITY OF WILSON WILSON COUNTY
 NORTH CAROLINA ZONE: OS
 PIN # SHEET DT1