



INVITATION TO BIDDERS

The City of Gatlinburg is soliciting sealed bids for City of Gatlinburg Public Restrooms. Bids will be received at Gatlinburg City Hall until **2:30 p.m. July 7, 2022**, at which time they will be publicly opened and read aloud.

For questions concerning the Bid Documents, Bidders may contact City of Gatlinburg, Delea Patterson, AP/Purchasing, 1230 Parkway East, Suite 2, P.O. Box 5, Gatlinburg, Tennessee 37738 at 865-436-1409 or deleap@gatlinburgtn.gov.

Questions regarding project specifications may be directed to Parks and Recreation Director, Laurence Evans, 865-436-4990 or LaurenceE@gatlinburgtn.gov. No bid may be withdrawn for thirty (30) days.

Bid specifications will also be available on the City of Gatlinburg website at www.gatlinburgtn.gov under "Out for Bids" tab. This bid tab is located under Gatlinburg Government, and then Purchasing. Bid results are posted in the same area as shortly after bid opening as possible.

The Bidder's name, address, bid opening time and the quotation "**City of Gatlinburg Public Restrooms**" must be printed on the sealed envelope containing the bid.

The City of Gatlinburg reserves the right to waive any informalities in or to accept or reject any and/or all bids and to accept the bid deemed most favorable to the interest of the City.

GENERAL PROVISIONS

Prices quoted shall not include Federal or State taxes, if any are applicable. The successful bidder shall furnish tax exemption forms, if required, with their invoices.

The prices quoted are that for which the materials or services will be delivered F.O.B. Gatlinburg, Tennessee.

Any additions, deletions, or variations from the following specifications must be noted.

Inspection of the materials or equipment will be made by an agent of the City of Gatlinburg, and if found defective or fails in any way to meet the terms of this agreement, it will be rejected. Rejected materials or equipment will be replaced at the expense of the bidder.

All technical specifications must accompany bid.

The City of Gatlinburg reserves the right to purchase additional units or services under the same terms and conditions for a period of one (1) year if agreeable with vendor.

The City of Gatlinburg reserves the right to extend this agreement for one (1) additional year after the completion of the first-year agreement if agreeable with vendor.

The City of Gatlinburg reserves the right to defer payment for thirty (30) days after delivery. The City of Gatlinburg also reserves the right to reject any and/or all bids.

The bidder agrees to indemnify the City of Gatlinburg from any and all liability, loss or damage the City may suffer as a result of claims, demands, costs, or judgments against it arising from any and all work under this agreement.

The bidder agrees to notify the City, in writing, within thirty (30) days, by registered mail, at the City's address as stated in this agreement, of any claim against the bidder on the obligations indemnified against.

It is the policy of the City of Gatlinburg not to discriminate on the basis of race, color, national origin, age, sex, or disability in its hiring and employment practices, or in admission to, access to, or operation of its programs, services and activities. With regard to all aspects of this contract, contractor certifies and warrants it will comply with this policy.

Vendor shall possess all the necessary insurances and licenses required to perform this type and size of project.

Certain projects with a total cost of \$25,000 or more require a TN Contractors license. This License #, Classification and Expiration date MUST be listed on the bid envelope. Bidders cannot use license of another to bid on any City of Gatlinburg project.

SPECIFICATIONS

This project involves demolition and refurbishing the interior of three city public restrooms as listed.

Work includes demolition and removal of all fixtures, surface preparation, refinishing of surfaces with approved tile on the walls and floors, painting of doors, ceiling, and trim.

It also includes installation of new bathrooms and light fixtures and all other items specified in the attached documents.

Noted products may be replaced with products of an equal or greater quality, at no additional cost to the City, with the City's approval.

Information on individual locations is attached.

Delea Patterson, AP/Purchasing
City of Gatlinburg
1230 Parkway, East, Suite 2
P.O. Box 5
Gatlinburg, Tennessee 37738

RE: Bid on City of Gatlinburg Public Restroom Renovation:

\$ _____

Parkway/McMahan Parking Garage Restrooms

_____ Number of days after Bid Award that work can begin

_____ Estimated Days to complete project

\$ _____

Hwy 321 (Hillbilly Golf) Restrooms

_____ Number of days after Bid Award that work can begin

_____ Estimated Days to complete project

\$ _____

Glades Craft Community Restrooms

_____ Number of days after Bid Award that work can begin

_____ Estimated Days to complete project

Our bid prices, listed above, contain no deviation from the advertised items, except as listed below:

Signed/ _____

_____ Date

Name (Print)

Telephone Number

Company

Fax Number

Address

Email

City State Zip

EACH BIDDER SHALL SUBMIT THIS STATEMENT OF COMPLIANCE WITH THEIR BID.

For Title VI and IX compliance, we ask for voluntary disclosure of the following information:

Gender: Male ___

 Female ___

Race: Caucasian ___

 African American ___

 Other (please specify)_____

BIDDER'S LIST

(Any qualified vendor may submit a bid)

D&S Builders, LLC
John Mathews
johnmathews@dsbuilders.org

Citadel Construction, LLC
Eric Horner
ehorner@citadelconstruction.com

Joseph Construction Company
865-428-7900
bids@jcc1972.com

Landon Smelcer
lsmelcer@comcast.net

Custom Crafted Construction David
Proctor
david@c-c-construction.com

Kevin Cantillon
City Wide Facility Solutions
117 Center Park Dr Suite 225 |
Knoxville, TN 37922
M (865) 466-4512 O (865) 935-8180
GoCityWide.com/Knoxville
kcantillon@gocitywide.com

Colton Madison
Whaley Construction, LLC
Vice President of Concrete
Phone: 865-932-0003
Cell: 865-801-0478
Email:
cmadison@whaleyconstructionllc.com

Gatlinburg Public Restrooms Renovations

City of Gatlinburg
Parks & Recreation



Contact Info:
JESSICA SMELCER
Licensed Interior Designer
jessica@genesisinteriors-tn.com
865-227-2314
2033 James Rd
Sevierville, TN 37876



Delta Commercial Chrome 2-handle 4-in Centerset Bathroom Sink Faucet



American Dryer Extreme Air ADA Hand Dryer



Bradley, Channel Frame Mirror, 18" x 36"



Stainless Steel Toilet Partitions



Urinal Flush Valve



Koola Kare Products KB110-SSWM



Bradley, Express GLX Series Two Station, Terreon Standard Avalanche Top, Trap Cover Coal, Add manual faucet, no soap dispenser



Portobello America,
Krea Arctic, 4" x 16",
Glossy (Walls)

Ragno USA, Look,
Olivia, 2" x 9", Glossy
(Accent Walls)



Kenall High Abuse
Millenium Auracyl
Sconce, 8" x 13",
Surface Mount, LED

Kenall Correctional Lighting,
WCU Mighty Mac, Surface Wall
Mount, Up & Down Light



Stainless Steel Toilet Partitions



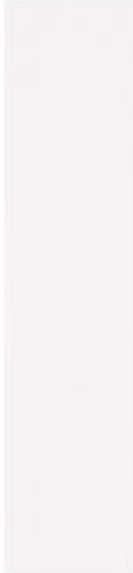
Bradley, Express GLX Series Two Station, Terreon
Standard Avalanche Top, Trap Cover Coal, Add
manual faucet, no soap dispenser



Portobello America,
Adrock, Espresso
#79062, 12" x 24"
(General Flooring)



Florida Tile, Distillery
HDP, Wheat
#FTIDIS108x48 & Malt
#FTIDIS508x48, 8" x 48"
(Accent Flooring &
Walls)



Portobello America,
Krea Arctic, 4" x 16",
Glossy (Walls)



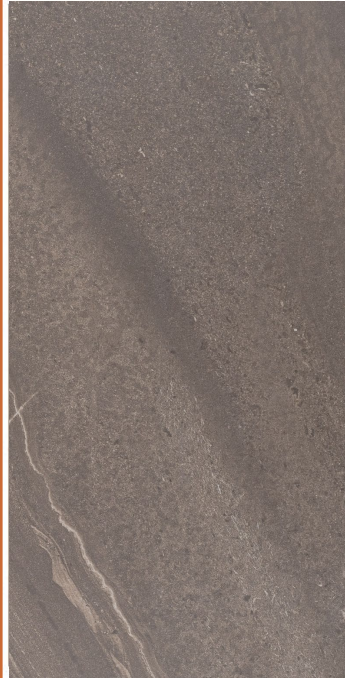
Bradley, Channel Frame
Mirror, 18" x 36"



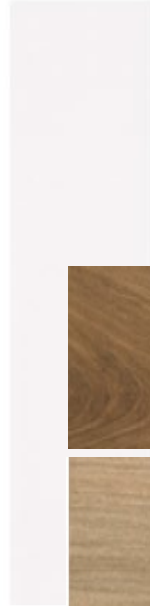
Stainless Steel Toilet Partitions



Bradley, Express GLX Series Two Station, Terreon
Standard Avalanche Top, Trap Cover Coal, Add
manual faucet, no soap dispenser



Portobello America,
Adrock, Espresso
#79062, 12" x 24"
(General Flooring)



Portobello America,
Krea Arctic, 4" x 16",
Glossy (Walls)

Florida Tile, Distillery HDP, Wheat
#FTIDIS 108x48 & Malt #FTIDIS
508x48, 8" x 48" (Accent Walls)



Bradley, Channel Frame
Mirror, 18" x 36"



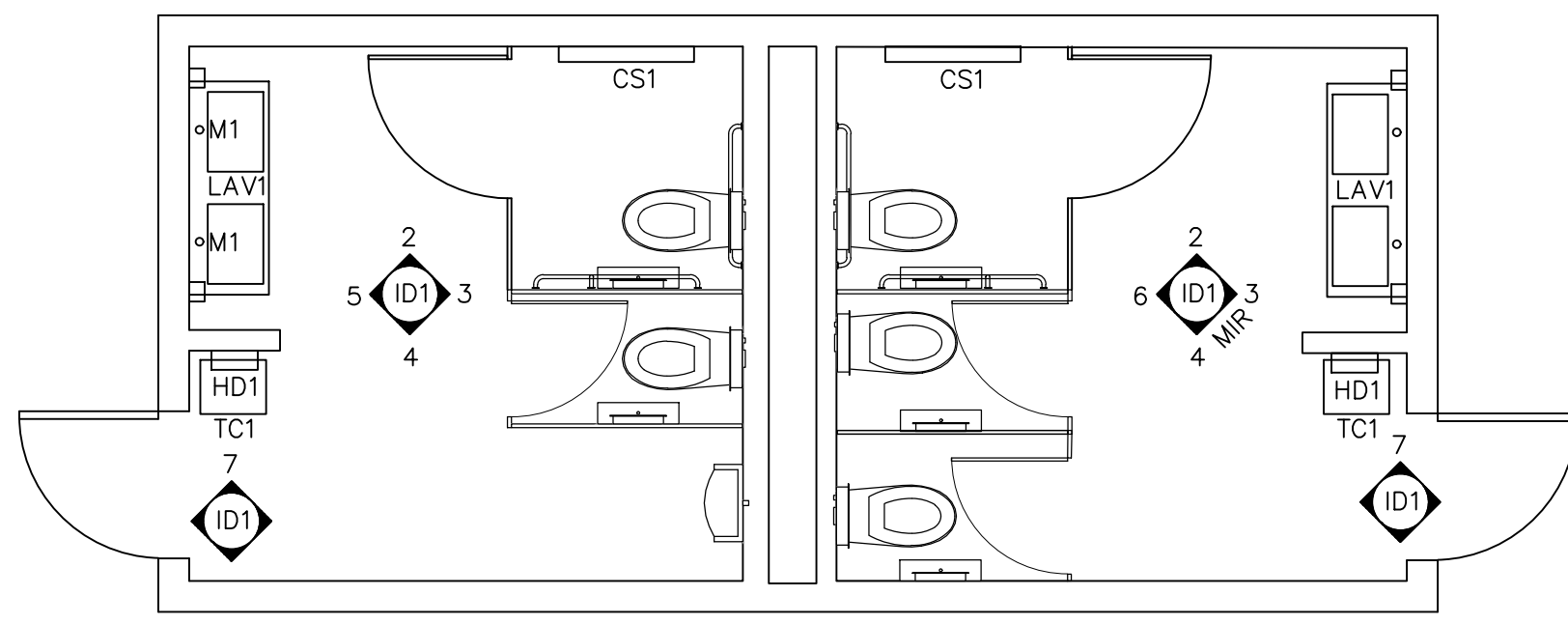
Stainless Steel Toilet Partitions



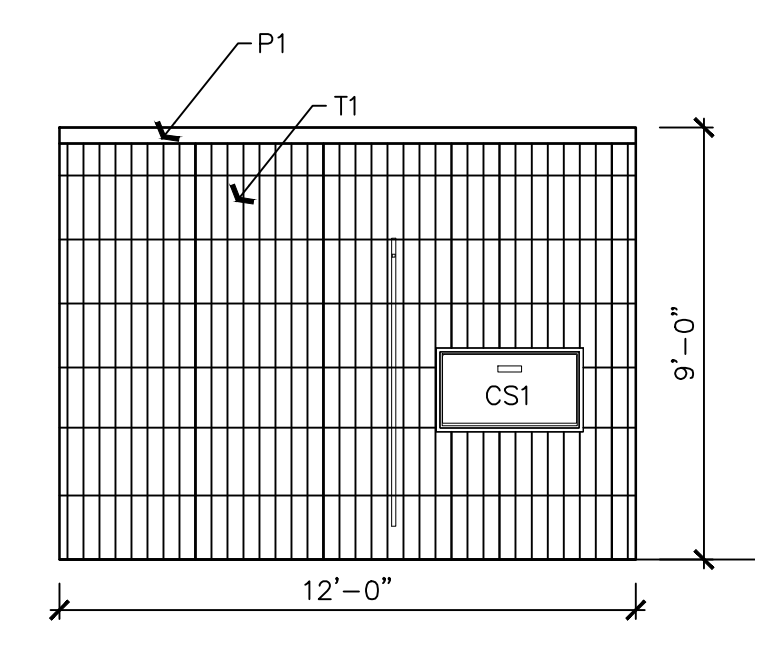
Bradley, Express GLX Series Two Station, Terreon
Standard Avalanche Top, Trap Cover Coal, Add
manual faucet, no soap dispenser



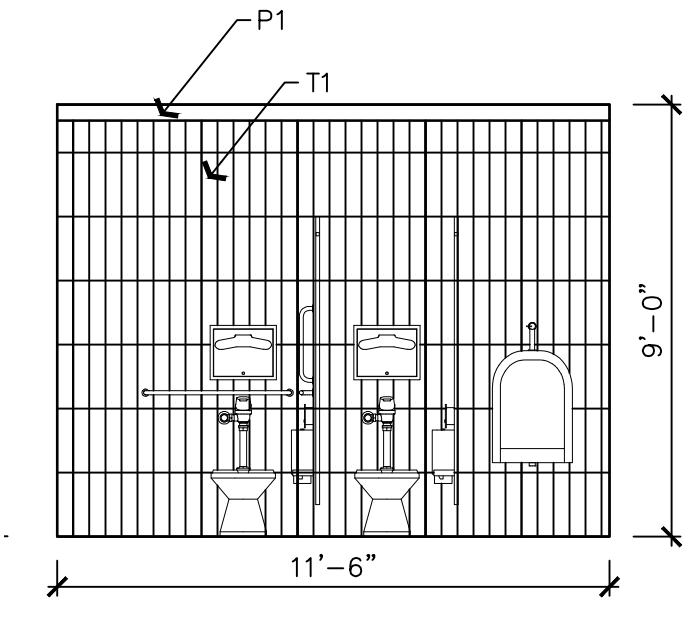
GATLINBURG GLADES CRAFT RESTROOMS FINISH SCHEDULE			
LOCATION	CODE	MANUFACTURER	DESCRIPTION
WALLS	T1	PORTOBELLO AMERICA (CONTACT: LOUISVILLE TILE DISTRIBUTORS 865-201-5180)	PORTOBELLO AMERICA, STYLE: KREA, COLOR: KREA ARCTIC, SIZE: 4" X 16", FINISH: GLOSSY BOLD #29384E (OVERALL WALLS) + EPOXY GROUT; LATICRETE, COLOR: 7B STERLING SILVER, NOMINAL GROUT JOINT (1/8" - 3/8" UNSANDED)
	T2	RAGNO USA (CONTACT: LOUISVILLE TILE DISTRIBUTORS 865-201-5180)	RAGNO, SERIES: LOOK, STYLE#R8FS, COLOR: OLIVA GLOSSY, SIZE: 2" X 9" + EPOXY GROUT, LATICRETE, COLOR: 35 MOCHA, NOMINAL GROUT JOINT (1/8" - 3/8" UNSANDED)
TRIM PAINT	P1	SHERWIN WILLIAMS	SHERWIN WILLIAMS, COLOR: SW 7048 URBAN BRONZE, FINISH: SEMI GLOSS (DOOR TRIM, 2X TRIM AROUND PERIMETER, COLUMN & CEILING BEAM)
CEILING PAINT	P2	SHERWIN WILLIAMS	SHERWIN WILLIAMS, COLOR: SW 7757 HIGH REFLECTIVE WHITE, FINISH: EGGSHELL (CEILING VAULT)
DOOR PAINT	P3	SHERWIN WILLIAMS	SHERWIN WILLIAMS, COLOR: SW 7048 URBAN BRONZE, FINISH: SEMI GLOSS (DOORS)
CEILING	-	EXISTING	CLEAN AND PATCH EXISTING CEILING TO ACHIEVE SMOOTH FINISH; PAINT WITH P2
FLOOR	-	EXISTING	KEEP EXISTING TILE
LIGHTING	WS1	KENALL	KENALL, MILLENIUM AURACYL SCONCE FOR ARCHITECTURAL HIGH ABUSE, #MLASB13, SURFACE WALL MOUNT, SIZE: 8" X 13", LED, FRAME TYPE: PANE, OUTER LENS: FROSTED ACRYLIC, FINISH: WS WARM SATIN (WALL SCONCE)
MIRROR	-	EXISTING	KEEP EXISTING MIRROR - REMOVE AND REINSTALL
TOILET PARTITIONS	TP1	GENERAL PARTITIONS	GENERAL PARTITIONS, STAINLESS STEEL, SERIES 40, FLOOR MOUNTED HEAD RAIL BRACED, DIAMOND TEXTURED STAINLESS STEEL, CONTINUOUS STAINLESS STEEL GRAVITY HINGE, CONTINUOUS STAINLESS STEEL BRACKETS, STAINLESS STEEL SURFACE SLIDE LATCH & KEEPER
LAVATORY	LAV1	BRADLEY	BRADLEY, EXPRESS GLX SERIES TWO STATION, TERREON STANDARD AVALANCHE TOP, TRAP COVER COAL (NO SOAP DISPENSER, ADD MANUAL STAINLESS STEEL COMMERCIAL FAUCET BY OTHERS), ADA COMPLIANT, SIZE: 55 3/8" X 20 3/8"
HAND DRYER	HD1	AMERICAN DRYER	AMERICAN DRYER, EXTERME AIR ADA, HI SPEED SURFACE MOUNTED ADA COMPLIANT HAND DRYER WITH HEPA FILTER, COLOR: BRUSHED STAINLESS STEEL, SIZE: 13 1/8"H X 11 3/8"W.
GRAB BAR	GB1	ASI	AMERICAN SPECIALTIES, INC., 1 1/2" DIAMETER GRAB BAR SERIES WITH SNAP ON FLANGE COVERS, 304 STAINLESS STEEL ALLOY, ADA COMPLIANT.
CHANGING STATION	CS1	KOALA KARE	KOALA KARE PRODUCTS, #KB110-SSWM HORIZONTAL WALL MOUNTED STAINLESS STEEL FINISH BABY CHANGING STATION, SIZE: 35 1/2"W X 20"H X 4"D
SANITARY WASTE RECEPTACLE	SWR1	VANDAL STOP PRODUCTS	VANDAL STOP PRODUCTS, VANDAL RESISTANT SANITARY WASTE RECEPTACLE, #VSP-SWR-304L-12G, 12G HEAVY DUTY STAINLESS STEEL CONSTRUCTION, LOCKING, SIZE: 9 3/4"W X 8 3/8"H X 3 1/4"D
TOILET PAPER DISPENSER	TPD1	VANDAL STOP PRODUCTS	VANDAL STOP PRODUCTS, TWO MINI JUMBO ROLL TOILET PAPER DISPENSER WITH KEY LOCK, #AA-MKRD-KLX2, 2 3/8" X 11" X 4 3/8", 12 GAUGE STAINLESS STEEL.
SEAT COVER DISPENSER	SCD1	VANDAL STOP PRODUCTS	VANDAL STOP PRODUCTS, SEAT COVER DISPENSER, MODEL#VSP-TSCD, VANDAL RESISTANT, DIMENSIONS: 15 3/8" X 12 1/2" X 3 1/2", BRUSHED SATIN FINISH.
SOAP DISPENSER	SD1	VANDAL STOP PRODUCTS	VANDAL STOP PRODUCTS, VANDAL RESISTANT PUSH FRONT SOAP DISPENSER, BOXED LIQUID SOAP, #AA-SD-PF-CDCR-304L-12G, LOCKING, HEAVY DUTY STAINLESS STEEL 12G, SIZE: 4 3/8" X 12 1/4" X 3 1/2"
TRASH CAN	TC1	VANDAL STOP PRODUCTS	VANDAL STOP PRODUCTS, VANDAL RESISTANT TRASH CAN/ WASTE RECEPTACLE, #VSP-TR-16-304L-12G, STAINLESS STEEL, 12 GAUGE, BASE MOUNT ANCHORED, TOP LID OPENING/ LOCKABLE, NON FLOODABLE, SIZE: 17 3/8" X 29"H X 14 3/8"D
TOILET SYSTEM	TS1	ZURN	ZURN, HET ELONGATED FLOOR MOUNTED, ADA HEIGHT ECOVANTAGE FLUSH VALVE TOILET SYSTEM, #Z5665-BWL1, WITH CUSTOM FOOT FLUSH, COMMERCIAL TOILET SEAT/ WHITE.
URINAL	U1	ZURN	ZURN, OMNI-FLO TOP SPUD URINAL #Z5755-U



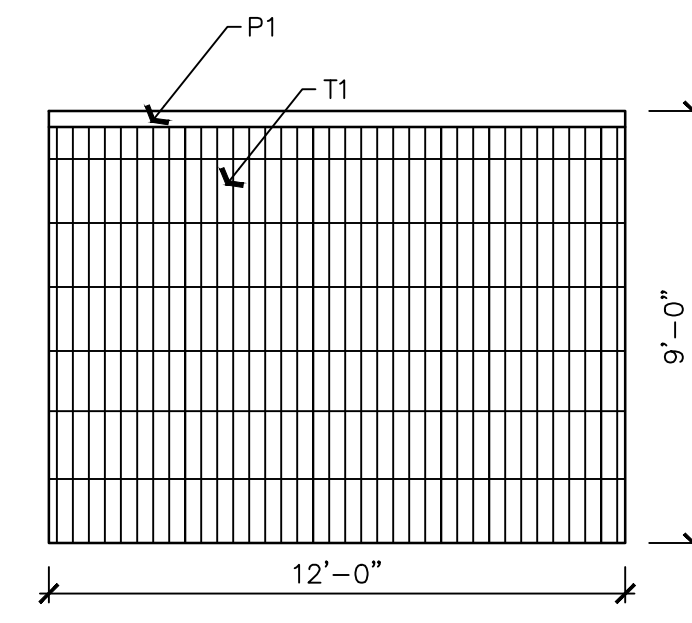
1 ID1 Finish Floor Plan
SCALE: 1/4" = 1'-0" 0 2' 4' 8'



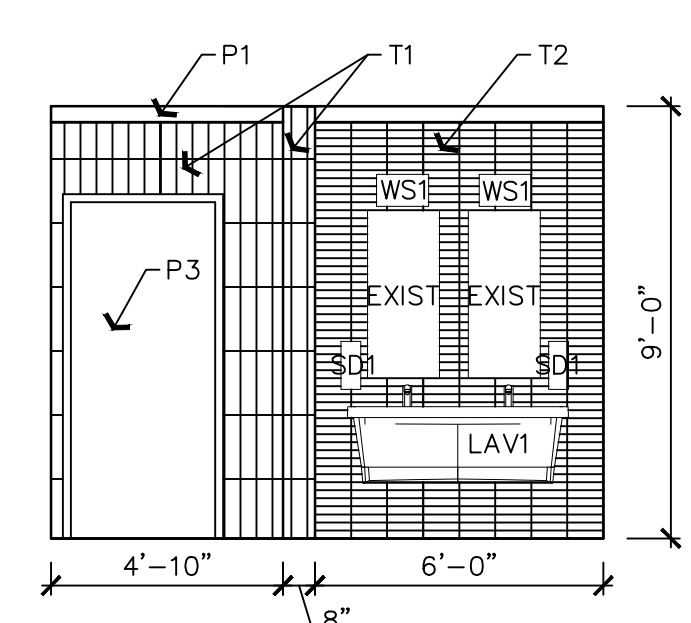
2 ID1 Interior Elevation
SCALE: 1/4" = 1'-0" 0 2' 4' 8'



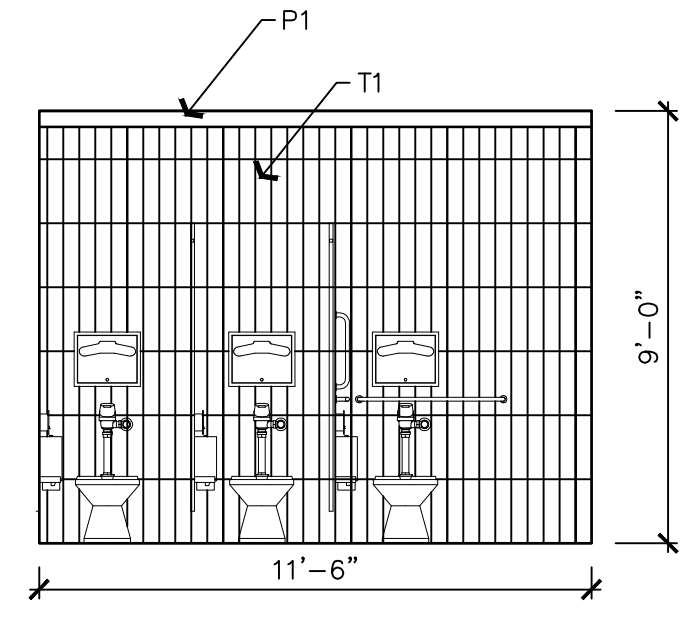
3 ID1 Interior Elevation
SCALE: 1/4" = 1'-0" 0 2' 4' 8'



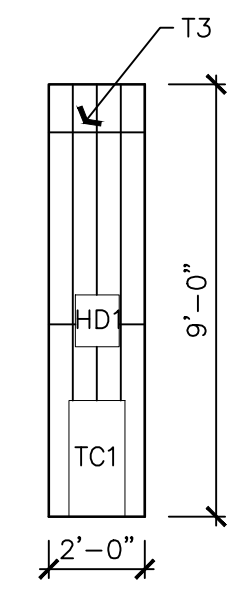
4 ID1 Interior Elevation
SCALE: 1/4" = 1'-0" 0 2' 4' 8'



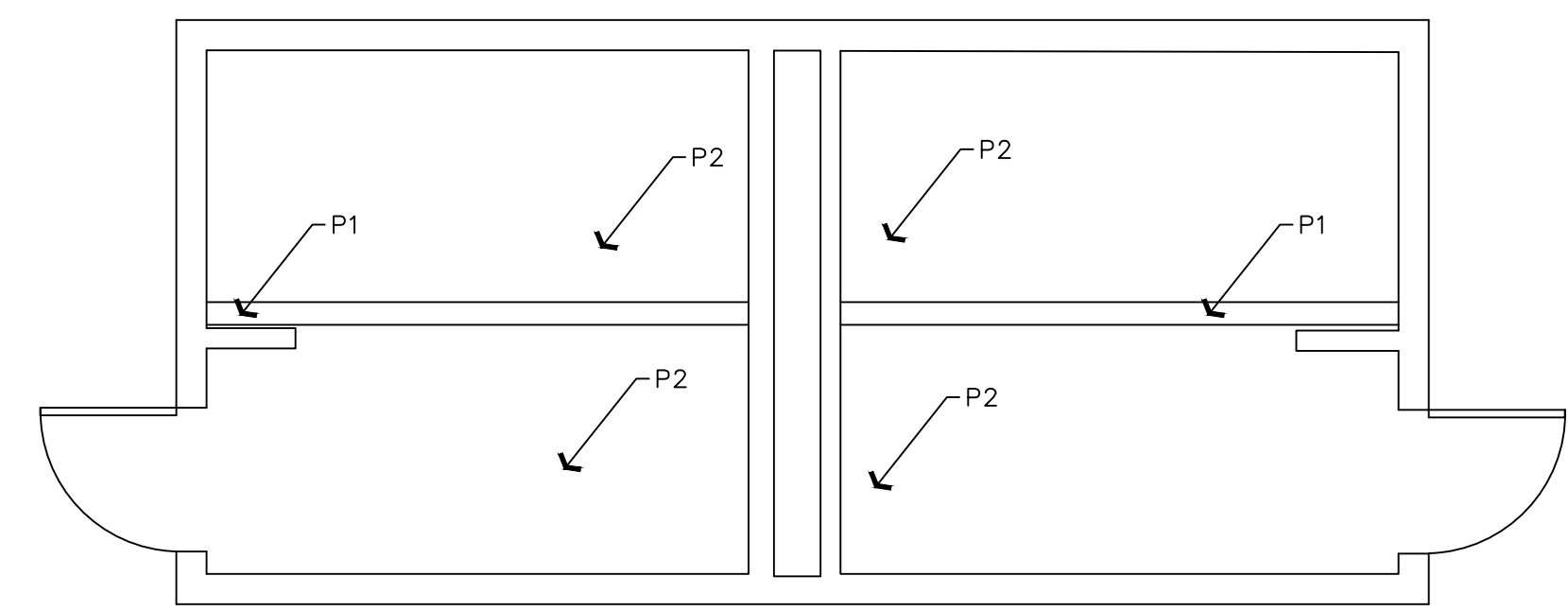
5 ID1 Interior Elevation
SCALE: 1/4" = 1'-0" 0 2' 4' 8'



6 ID1 Interior Elevation
SCALE: 1/4" = 1'-0" 0 2' 4' 8'



7 ID1 Interior Elevation
SCALE: 1/4" = 1'-0" 0 2' 4' 8'



8 ID1 Reflected Ceiling Plan
SCALE: 1/4" = 1'-0" 0 2' 4' 8'

The documents for this project, including its electronic form, are instruments of service for use solely on this project. These documents may not be used for other projects, buildings or structures on this or other sites. The user agrees to indemnify and hold the architect harmless from any and all claims, damages, and expenses, including reasonable attorney's fees, that may be asserted against the architect by any third party, arising out of or from the use of these documents. Written dimensions have precedence. All rights reserved by Genes Interiors.

Interior Elevations

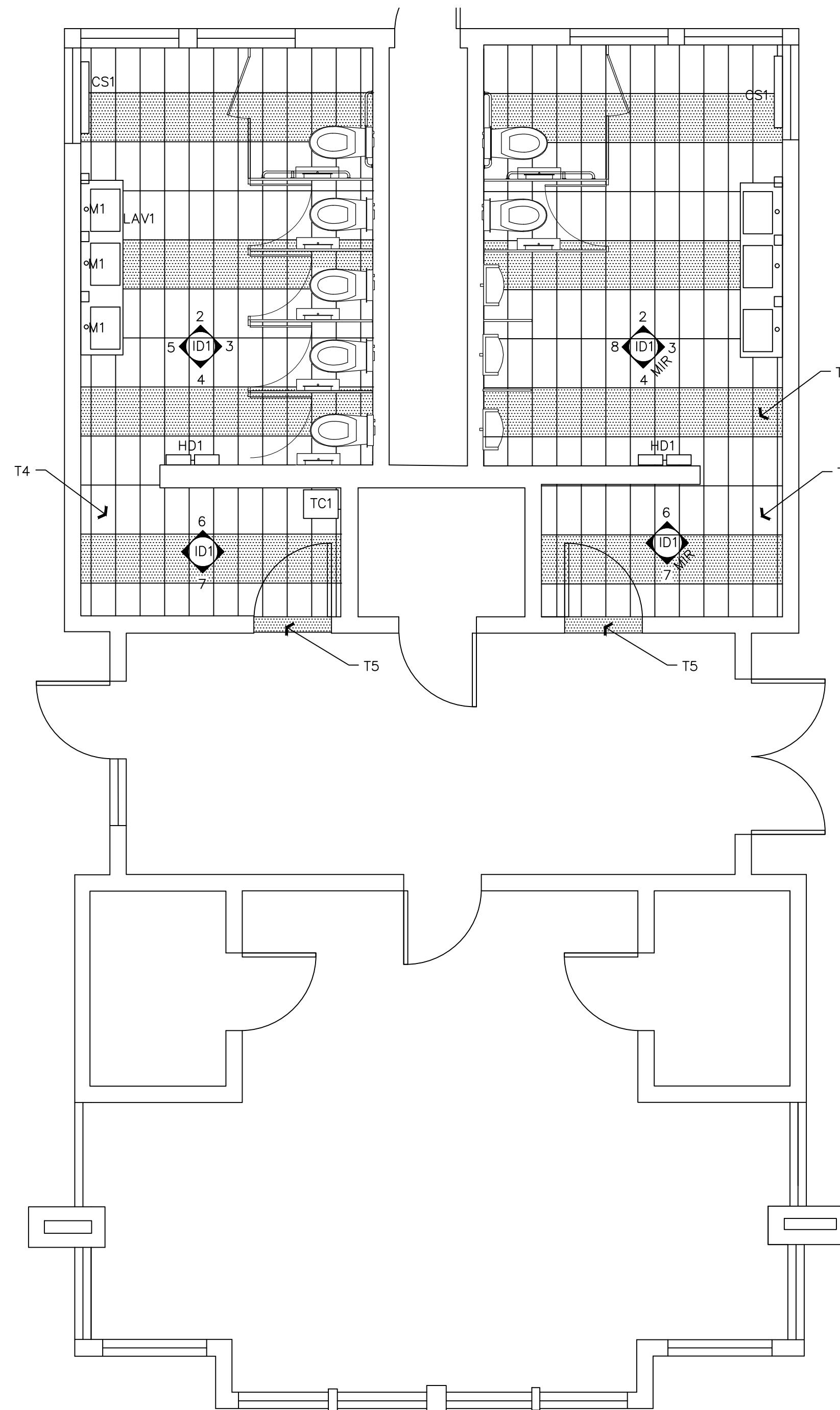
GENES
 interiors
 664-227-2314 | jenkins@genesinteriors.com | 1000 Co. Rd. 100
 3704 Glades Rd., Gatlinburg, TN 37626

Additions and Renovations:
Gatlinburg Glades Craft Restrooms
 704 Glades Rd
 Gatlinburg, TN

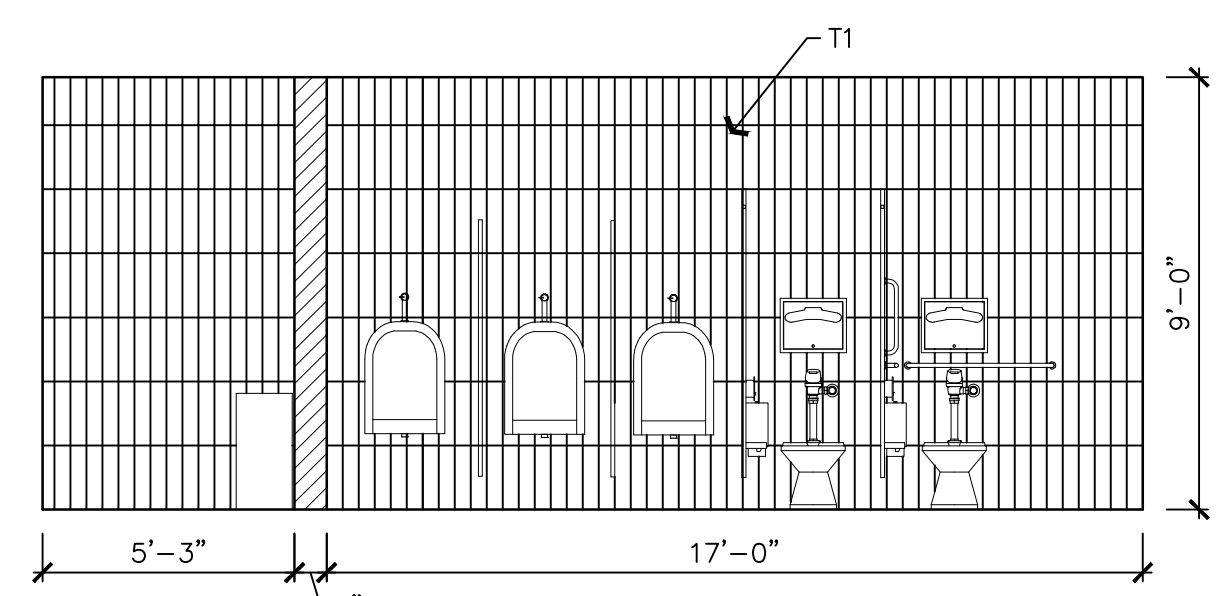
DATE	5-09-22
REVISED	JOB NUMBER
	DRAWN MKW
Sheet #	ID1

GATLINBURG WELCOME CENTER RESTROOMS
FINISH SCHEDULE

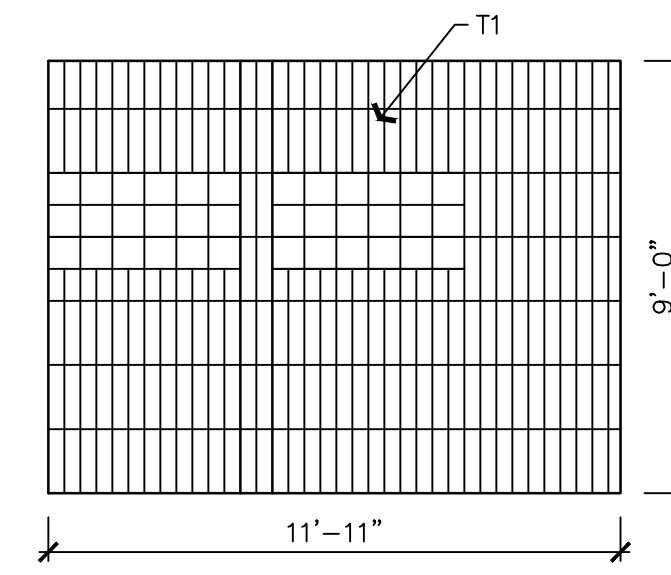
LOCATION	CODE	MANUFACTURER	DESCRIPTION
WALLS	T1	PORTOBELLO AMERICA (CONTACT: LOUISVILLE TILE DISTRIBUTORS 865-201-5180)	PORTOBELLO AMERICA, STYLE: KREA ARCTIC, COLOR: KREA ARCTIC, SIZE: 4" X 16", FINISH: GLOSSY BOLD #29384E (OVERALL WALLS) + EPOXY GROUT: LATICRETE, COLOR: 78 STERLING SILVER, NOMINAL GROUT JOINT (1/16" - 1/8" UNSANDED)
	T2	FLORIDA TILE	FLORIDA TILE, STYLE: DISTILLERY, COLOR: DIS10 WHEAT, SIZE: 8" X 48", EPOXY GROUT: LATICRETE, COLOR: 56 DESERT KHAKI, NOMINAL GROUT JOINT (1/16" - 1/8" UNSANDED)
	T3	FLORIDA TILE	FLORIDA TILE, STYLE: DISTILLERY, COLOR: DIS50 MALT, SIZE: 8" X 48", EPOXY GROUT: LATICRETE, COLOR: 56 DESERT KHAKI, NOMINAL GROUT JOINT (1/16" - 1/8" UNSANDED)
	TR1	SCHLUTER SYSTEMS	SCHLUTER SYSTEMS, SCHLUTER SCHIENE, COLOR: BRUSHED CHROME (AS NEEDED TO TRANSITION WALL TILE THICKNESS FROM T1 TO T2)
TRIM PAINT	P1	SHERWIN WILLIAMS	SHERWIN WILLIAMS, COLOR: SW 7048 URBAN BRONZE, FINISH: SEMI GLOSS (DOOR TRIM, 2X TRIM AROUND PERIMETER, COLUMN & CEILING BEAM)
CEILING PAINT	P2	SHERWIN WILLIAMS	SHERWIN WILLIAMS, COLOR: SW 7757 HIGH REFLECTIVE WHITE, FINISH: EGGSHELL (CEILING)
DOOR PAINT	P3	SHERWIN WILLIAMS	SHERWIN WILLIAMS, COLOR: SW 7048 URBAN BRONZE, FINISH: SEMI GLOSS (DOORS)
FLOOR	T4	PORTOBELLO AMERICA (CONTACT: LOUISVILLE TILE DISTRIBUTORS 865-201-5180)	PORTOBELLO AMERICA, STYLE: ADROCK, COLOR: ESPRESSO NAT BOLD, #79062 MATTE, SIZE: 12" X 24" (RESTROOM FLOORING) + EPOXY GROUT: LATICRETE, COLOR: 35 MOCHA, NOMINAL JOINT SIZE 1/8", SANDED.
	T5	FLORIDA TILE	FLORIDA TILE, STYLE: DISTILLERY, COLOR: DIS10 WHEAT, SIZE: 8" X 48", EPOXY GROUT: LATICRETE, COLOR: 56 DESERT KHAKI, NOMINAL GROUT JOINT: 1/8" SANDED
LIGHTING	-	CHANGE TO LED	REPLACE EXISTING LIGHTING WITH NEW LED FIXTURES
MIRROR	M1	VANDAL STOP PRODUCTS	VANDAL STOP PRODUCTS, #AA-MVL, SAFETY MIRROR, SIZE: 18" X 42", VANDAL RESISTANT, REFLECTIVE MIRROR POLISHED STAINLESS STEEL WITH SACRIFICIAL PLEXI GLASS, SURFACE MOUNTED.
TOILET PARTITIONS	TP1	GENERAL PARTITIONS	GENERAL PARTITIONS, STAINLESS STEEL, SERIES 40, FLOOR MOUNTED HEAD RAIL BRACED, DIAMOND TEXTURED STAINLESS STEEL, CONTINUOUS STAINLESS STEEL GRAVITY HINGE, CONTINUOUS STAINLESS STEEL BRACKETS, STAINLESS STEEL SURFACE SLIDE LATCH & KEEPER
LAVATORY	LAV1	BRADLEY	BRADLEY, EXPRESS CLX SERIES THREE STATION, #CLX-3, TERREON STANDARD AVALANCHE TOP, TRAP COVER COAL (NO SOAP DISPENSER, ADD MANUAL STAINLESS STEEL COMMERCIAL FAUCET BY OTHERS), ADA COMPLIANT, SIZE: 85 3/8" X 20 3/8"
HAND DRYER	HD1	AMERICAN DRYER	AMERICAN DRYER, EXTERME AIR ADA, HI SPEED SURFACE MOUNTED ADA COMPLIANT HAND DRYER WITH HEPA FILTER, COLOR: BRUSHED STAINLESS STEEL, SIZE: 13 1/8"H X 11 3/8"W.
GRAB BAR	GB1	ASI	AMERICAN SPECIALTIES, INC., 1 1/2" DIAMETER GRAB BAR SERIES WITH SNAP ON FLANGE COVERS, 304 STAINLESS STEEL ALLOY, ADA COMPLIANT.
CHANGING STATION	CS1	KOALA KARE	KOALA KARE PRODUCTS, #KB110-SSWM HORIZONTAL WALL MOUNTED STAINLESS STEEL FINISH BABY CHANGING STATION, SIZE: 35 1/2"W X 20"H X 4"D
SANITARY WASTE RECEPTACLE	SWR1	VANDAL STOP PRODUCTS	VANDAL STOP PRODUCTS, VANDAL RESISTANT SANITARY WASTE RECEPTACLE, #VSP-SWR-304L-12G, 12G HEAVY DUTY STAINLESS STEEL CONSTRUCTION, LOCKING, SIZE: 9 1/2"W X 8 1/8"H X 3 1/2"D
TOILET PAPER DISPENSER	TPD1	VANDAL STOP PRODUCTS	VANDAL STOP PRODUCTS, TWO MINI JUMBO ROLL TOILET PAPER DISPENSER WITH KEY LOCK, #AA-MKRD-KLX2, 2 3/8" X 11" X 4 3/8", 12 GAUGE STAINLESS STEEL.
SEAT COVER DISPENSER	SCD1	VANDAL STOP PRODUCTS	VANDAL STOP PRODUCTS, SEAT COVER DISPENSER, MODEL#VSP-TSCD, VANDAL RESISTANT, DIMENSIONS: 15 3/8" X 12 1/2" X 3 1/2", BRUSHED SATIN FINISH.
SOAP DISPENSER	SD1	VANDAL STOP PRODUCTS	VANDAL STOP PRODUCTS, VANDAL RESISTANT PUSH FRONT SOAP DISPENSER, BOXED LIQUID SOAP, #AA-SD-PF-CDOR-304L-12G, LOCKING, HEAVY DUTY STAINLESS STEEL 12G, SIZE: 4 3/8" X 12 1/2" X 3 3/8"
TRASH CAN	TC1	VANDAL STOP PRODUCTS	VANDAL STOP PRODUCTS, VANDAL RESISTANT TRASH CAN/ WASTE RECEPTACLE, #VSP-TR-16-304L-12G, STAINLESS STEEL, 12 GAUGE, BASE MOUNT ANCHORED, TOP LID OPENING/ LOCKABLE, NON FLOODABLE, SIZE: 17 3/8" X 29"H X 14 3/8"D
TOILET SYSTEM	TS1	ZURN	ZURN, HET ELONGATED FLOOR MOUNTED, ADA HEIGHT ECOVANTAGE FLUSH VALVE TOILET SYSTEM, #Z5665-BWL1, WITH CUSTOM FOOT FLUSH, COMMERCIAL TOILET SEAT/ WHITE.
URINAL	U1	ZURN	ZURN, OMNI-FLO TOP SPUD URINAL #Z5755-U



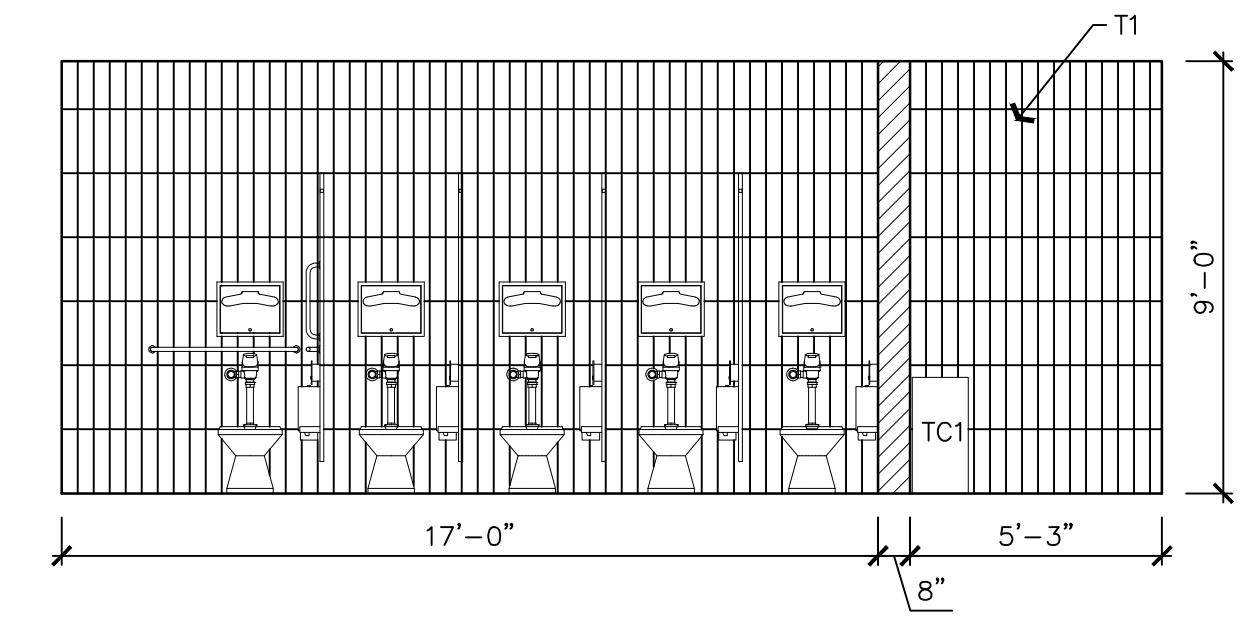
1 ID1 Finish Floor Plan
SCALE: 1/4" = 1'-0"



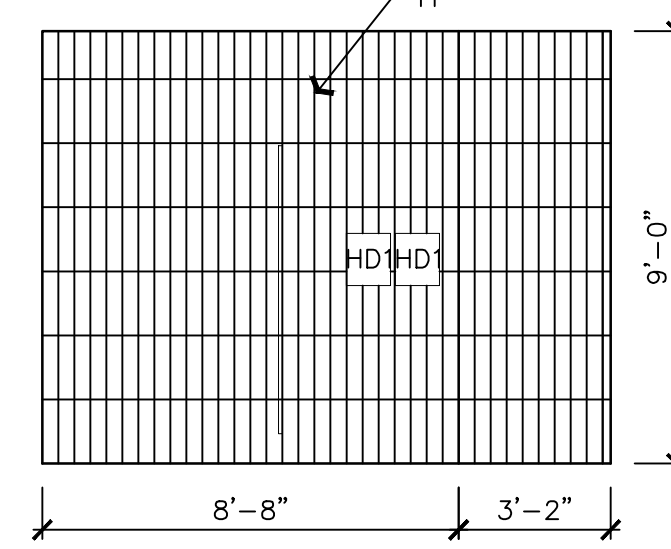
8 ID1 Interior Elevation
SCALE: 1/4" = 1'-0"



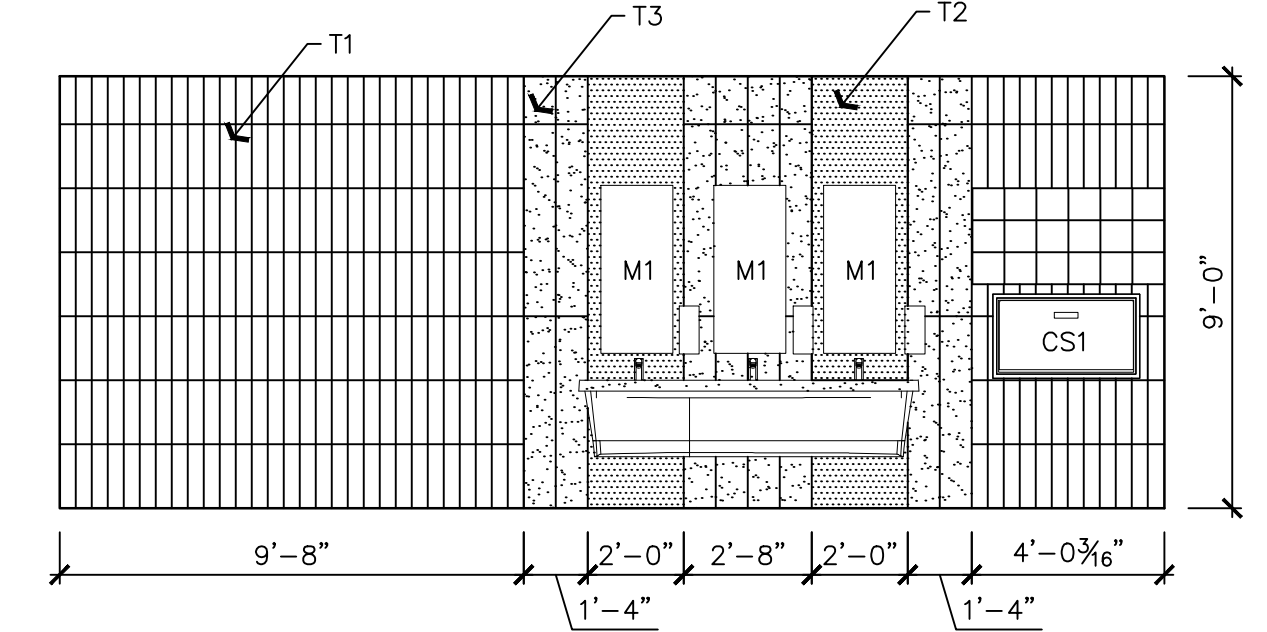
2 ID1 Interior Elevation
SCALE: 1/4" = 1'-0"



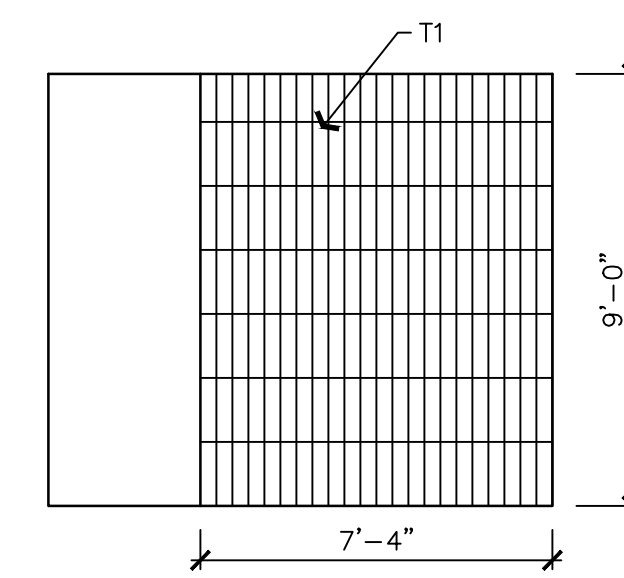
3 ID1 Interior Elevation
SCALE: 1/4" = 1'-0"



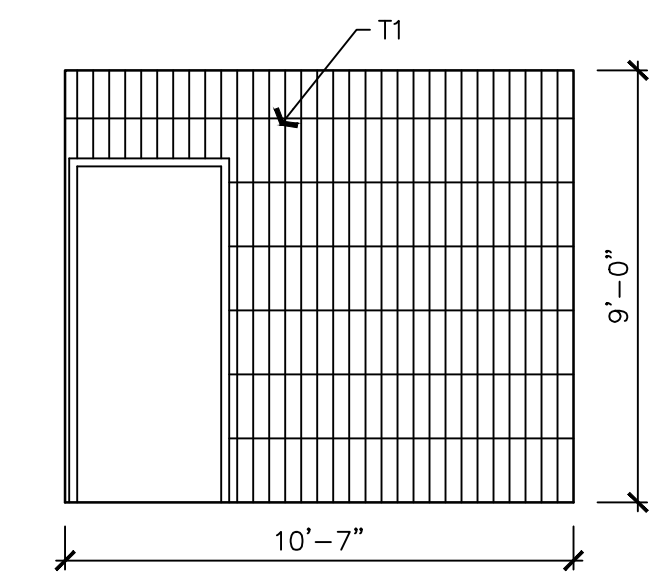
4 ID1 Interior Elevation
SCALE: 1/4" = 1'-0"



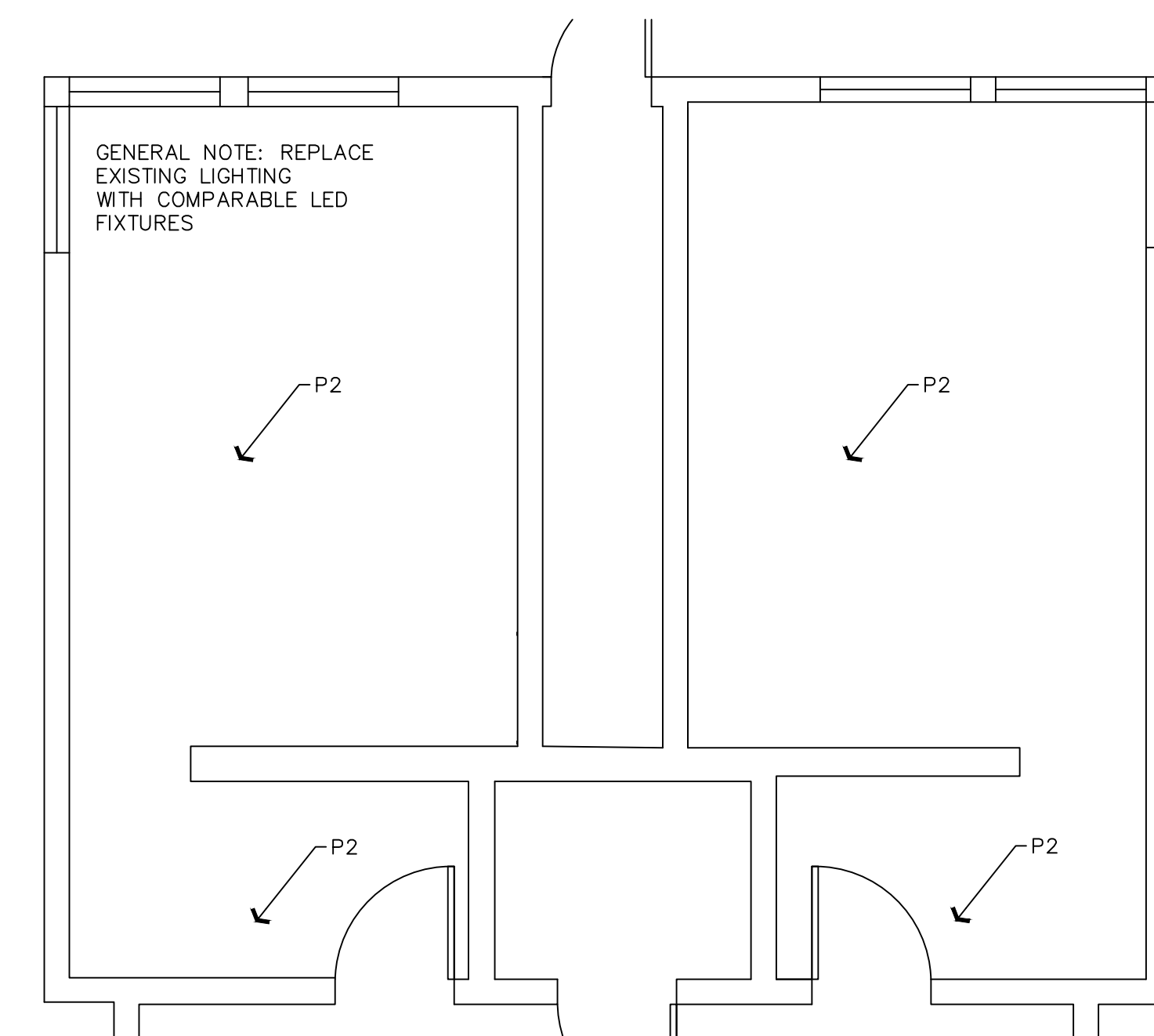
5 ID1 Interior Elevation
SCALE: 1/4" = 1'-0"



6 ID1 Interior Elevation
SCALE: 1/4" = 1'-0"



7 ID1 Interior Elevation
SCALE: 1/4" = 1'-0"



9 ID1 Reflected Ceiling Plan
SCALE: 1/4" = 1'-0"

The documents for this project, including its electronic form, are instruments of service for use solely on this project. These documents may not be used for other projects, buildings or structures on this or other sites. Designer encourages scaling from these drawings. Written dimensions have precedence. All rights reserved by Genesis Interiors.

GENESIS Interiors
665-272-9314 | info@genesiinteriors.com
2033 Highland, Brentwood, TN 37026

Additions and Renovations:
Gatlinburg Parking Garage Restrooms
520 Parkway
Gatlinburg, TN

DATE	5-09-22
REVISED	JOB NUMBER
	DRAWN MKW
Sheet #	1D1

