

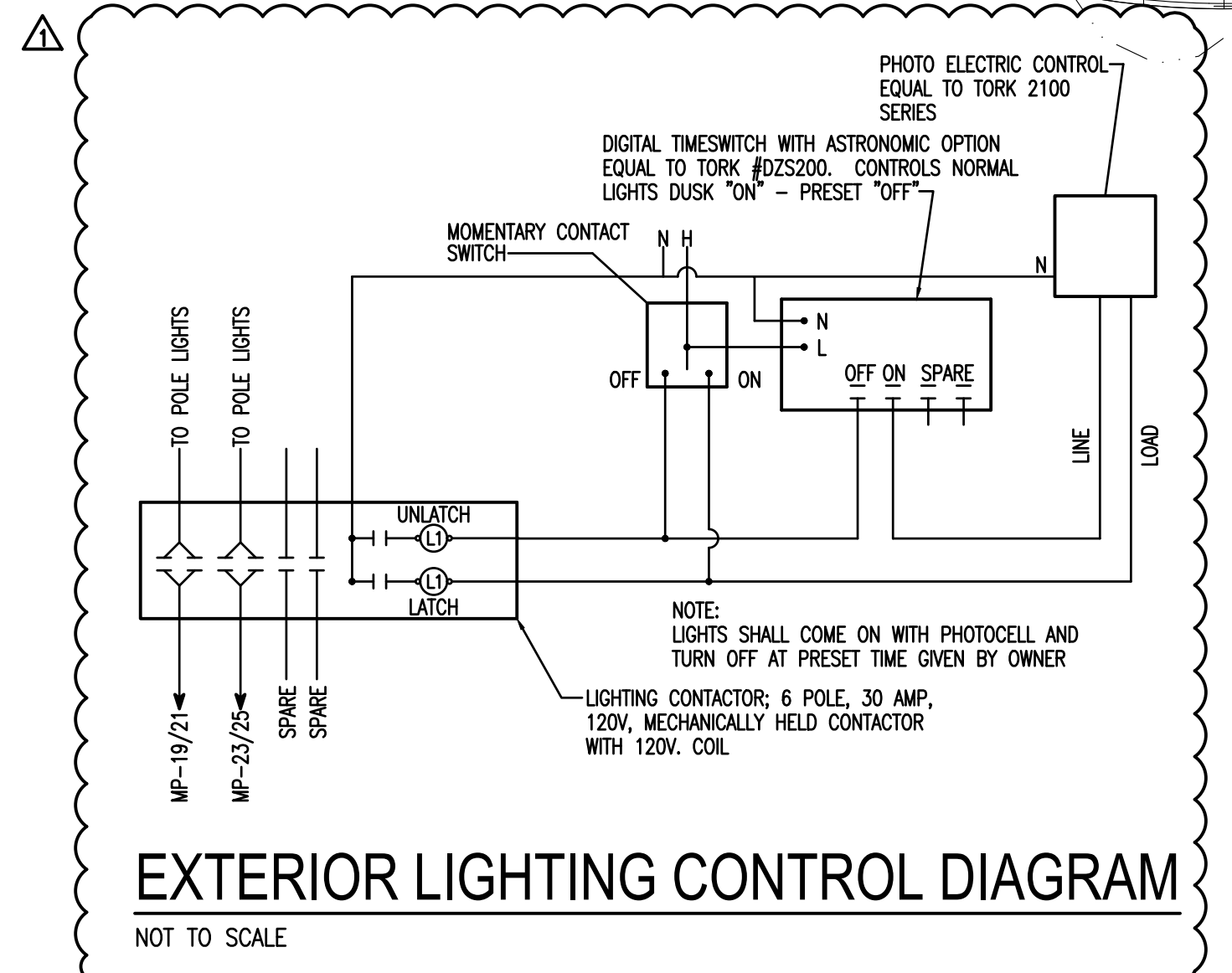
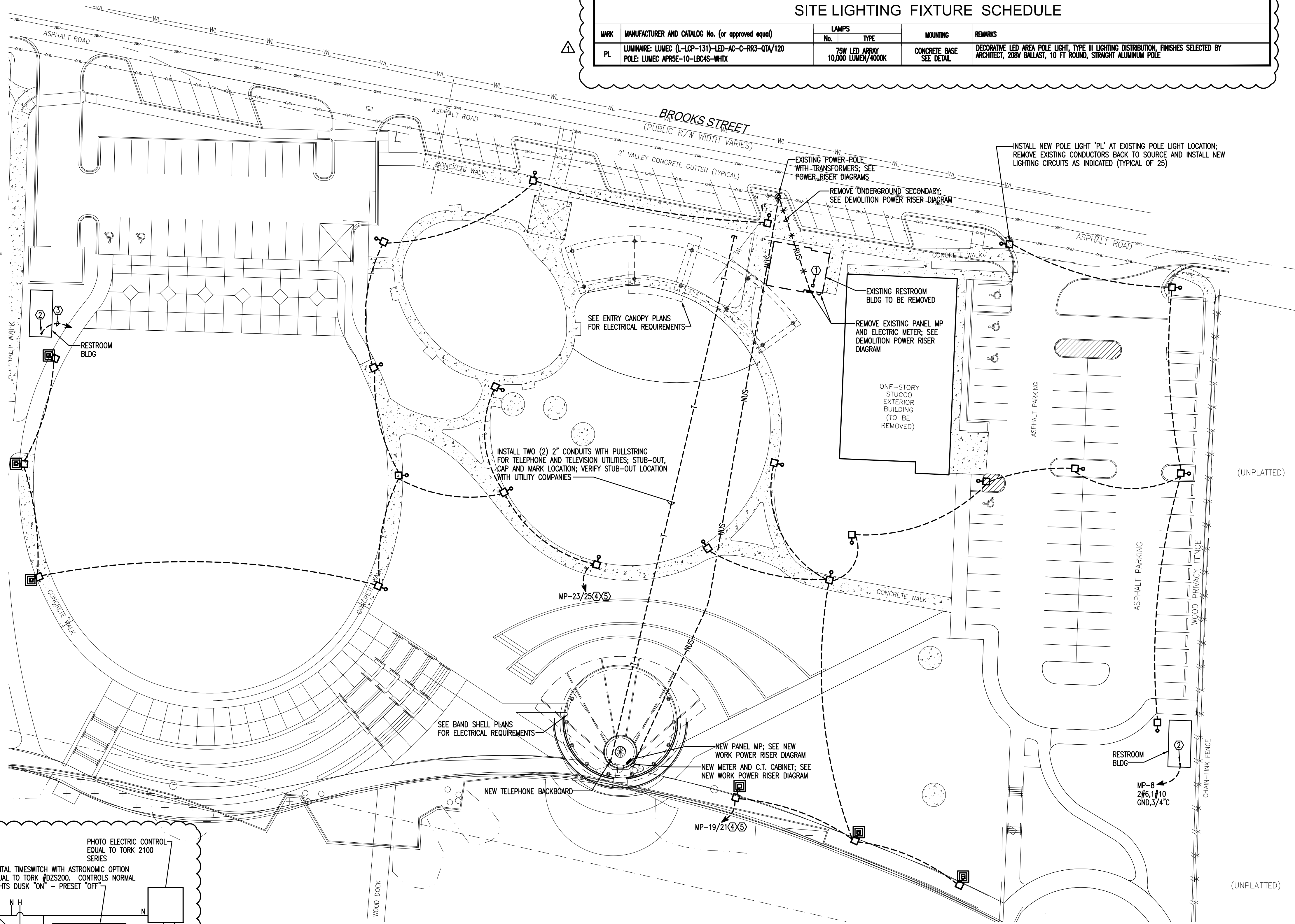
NOTES:

- INSTALL CONCRETE POLE BASE ACCORDING TO MANUFACTURER'S RECOMMENDATIONS
- VERIFY BOLT PATTERN WITH MANUFACTURER

**CONCRETE POLE BASE FOR FIXTURE 'PL', 'PL2' & 'PL2A'**

NOT TO SCALE

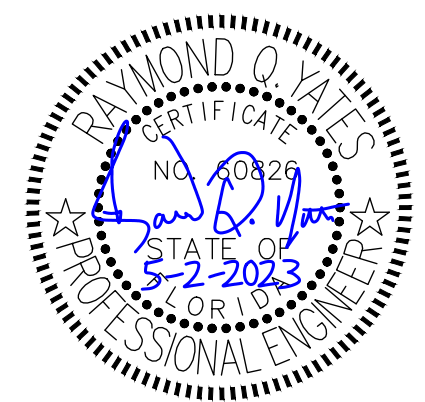
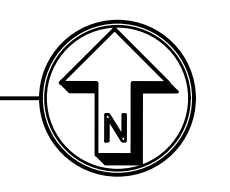
SITE LIGHTING FIXTURE SCHEDULE					
MARK	MANUFACTURER AND CATALOG No. (or approved equal)	LAMPS		MOUNTING	REMARKS
		No.	TYPE		
PL	LUMINAIRE: LUMEC (L-LOP-131)-LED-AC-C-RR3-07A/120 POLE: LUMEC APRSE-10-LBCAS-WHTX	75W	LED ARRAY 10,000 LUMEN/4000K	CONCRETE BASE SEE DETAIL	DECORATIVE LED AREA POLE LIGHT, TYPE III LIGHTING DISTRIBUTION, FINISHES SELECTED BY ARCHITECT, 208V BALLAST, 10 FT ROUND, STRAIGHT ALUMINUM POLE



**ELECTRICAL SITE PLAN**

SCALE: 1" = 30'

- KEYNOTES:
- EXISTING SOUND EQUIPMENT RACKS AND ASSOCIATED CONDUCTORS; SEE DEMOLITION POWER RISER DIAGRAM. EXISTING SOUND EQUIPMENT CONDUCTORS SHALL BE EXTENDED TO NEW TBB IN STORAGE RM 102; SEE BAND SHELL POWER & SIGNAL PLAN FOR LOCATION.
  - CONNECT TO RESTROOM BUILDING 20 AMP/1 POLE CIRCUIT
  - CONNECT TO CLOSEST AVAILABLE 20 AMP/1 POLE CIRCUIT WHICH IS CONNECTED TO A METER CONTROLLED BY THE CITY OF FORT WALTON BEACH. INCREASE CONDUCTOR SIZE AS REQUIRED BY VOLTAGE DROP.
  - ROUTE CIRCUIT THROUGH LIGHTING CONTACTOR FOR CONTROLS; SEE EXTERIOR LIGHTING CONTROL DIAGRAM
  - INSTALL 2#10, 1#10 GND, 3/4" C FROM HOMERUN TO PANEL MP TO ALL LIGHT POLES IN EXTERIOR LIGHTING CIRCUITS MP-19/21 & MP-23/25



THIS ITEM HAS BEEN ELECTRONICALLY SIGNED AND SEALED BY R.Q. YATES, P.E. ON 5/2/2023 USING A SHA AUTHENTICATION CODE. PRINTED COPIES OF THIS DOCUMENT ARE NOT CONSIDERED SIGNED AND SEALED AND THE SHA AUTHENTICATION CODE MUST BE VERIFIED ON ANY ELECTRONIC COPIES.

**YATES ENGINEERING SOLUTIONS**

7159 Blue Jack Dr.  
Merritt, FL 32666  
P.E. Authorization No. 30242

Phone: (850) 612-9579  
Email: yates@yateseng.com  
FL P.E. No. 08208

**AVCON, INC.**  
ENGINEERS & PLANNERS  
320 BAYSHORE DRIVE, SUITE A  
NICEVILLE, FL 32578-2425  
OFFICE: (850) 678-0040  
FAX: (850) 678-0040  
CORPORATE CERTIFICATE OF AUTHORIZATION NUMBER: 6067  
WWW.AVCONINC.COM

**AVCON**

TRANSFORMING TODAY'S IDEAS INTO TOMORROW'S REALITY

**jdf+ architecture**

JDF ARCHITECTURE, LLC  
201 HOLLYWOOD BLVD, NE  
FT WALTON BEACH, FLORIDA 32548  
(850) 486-2166

NO.	DATE	REVISION	BY
1	05/02/23	ISSUE FOR PERMIT	AVCON
2			
3			
4			
5			
6			
7			
8			
9			
10			

18/27/23 AND 25 POLE LIGHTS AND CIRCUITS

**ELECTRICAL SITE PLAN**

**FORT WALTON BEACH LANDING IMPROVEMENTS**

PREPARED FOR  
**CITY OF FORT WALTON BEACH**

DESIGNED BY: R.Q.Y.  
DRAWN BY: R.Q.Y.  
CHECKED BY: R.Q.Y.  
APPROVED BY: R.Q.Y.  
PROJECT NO: 2015.238.03  
DATE: 05/02/2023

**SHEET NUMBER E2.0**

FOR CONSTRUCTION

THIS DOCUMENT CONTAINS PRIVILEGED AND PROPRIETARY INFORMATION. ALL OF WHICH IS EXPRESSLY PROVIDED BY AVCON, INC. FOR USE BY THE INTENDED RECIPIENT, AND FOR A SPECIFIC PURPOSE. WITHOUT THE EXPRESS WRITTEN CONSENT OF AVCON, INC. ANY DISTRIBUTION, REPRODUCTION, OR OTHER USE OF THIS DOCUMENT, IN WHOLE OR IN PART, IS STRICTLY PROHIBITED.

