

1 TORO LYNX SMART HUB
NTS

JPD-IR-GIRR-01

2 HUB GROUNDING
NTS

DETAIL-FILE

3 LATERAL SYSTEM DETAIL
NTS

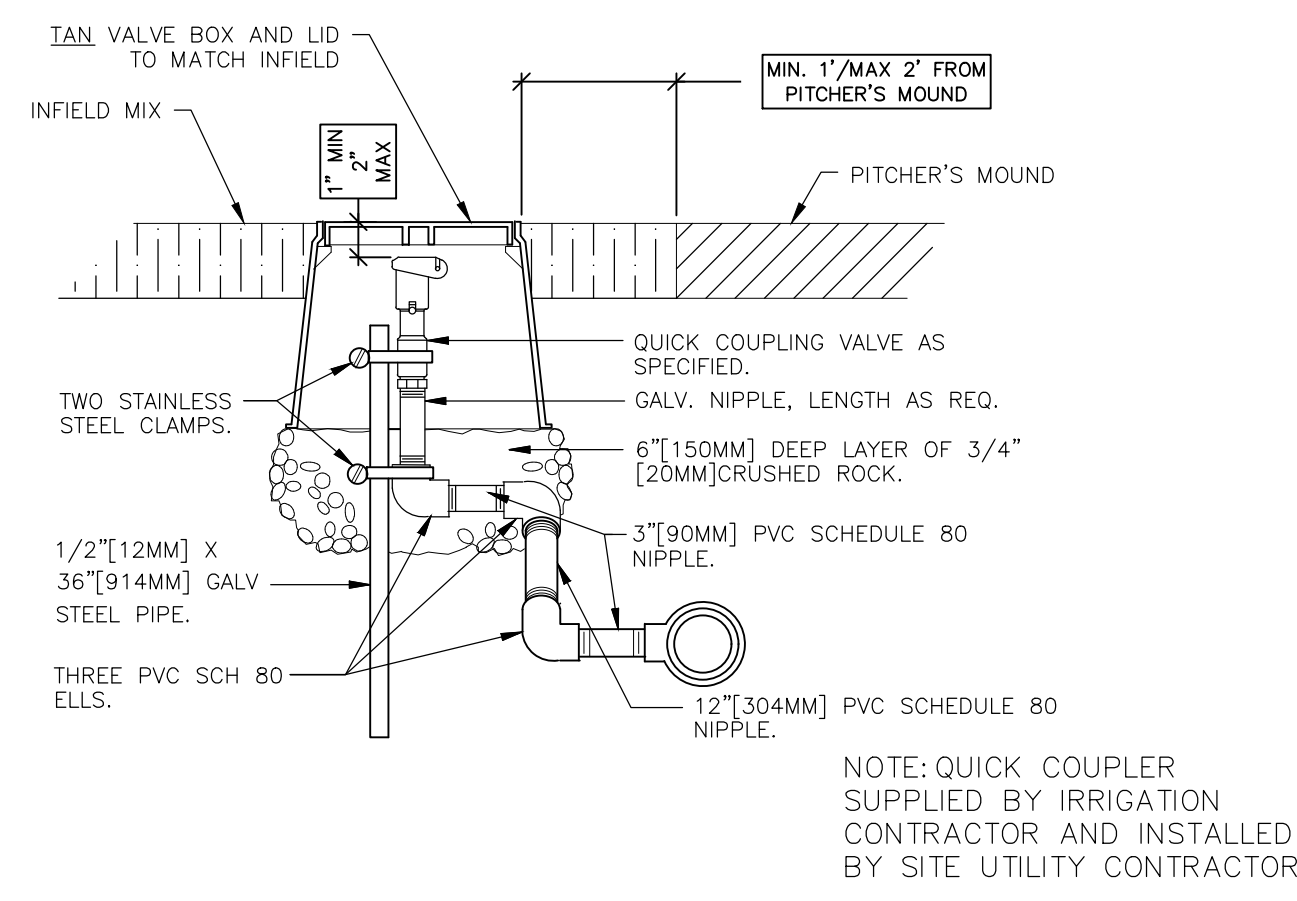
DETAIL-FILE

4 FLANGED GATE VALVE IN PE APPLICATION
NTS

DETAIL-FILE

5 VAL Matic 15A - 50HP AIR RELIEF VALVE DETAIL
NTS

JPD-IR-GIRR-328409-18



NOTE: QUICK COUPLER SUPPLIED BY IRRIGATION CONTRACTOR AND INSTALLED BY SITE UTILITY CONTRACTOR.

6 QUICK COUPLER VALVE IN BOX - BASEBALL FIELD
NTS

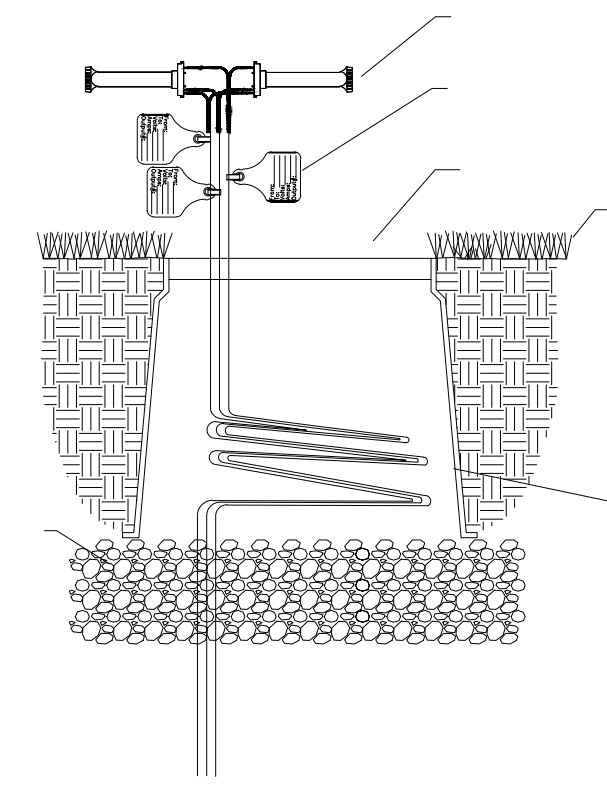
JPD-IR-GIRR-VALV-328413-25

7 3-WAY SPLICE IN INFINITY SPRINKLER
NTS

JPD-IR-GIRR-04

8 3-WAY SPLICE IN VALVE BOX
NTS

JPD-IR-GIRR-328409-19



DATE REVISIONS

SCALE: 1" = 20'

DATE: 05/11/2021

SHEET NO.

IR201