

**PORTERVILLE UNIFIED SCHOOL DISTRICT**

*Creating Opportunities: Changing Lives*

DISTRICT BOARD OF TRUSTEES

PETE LARA, JR.  
President

LILLIAN DURBIN  
Vice President

SHARON GILL  
Clerk

600 West Grand Avenue  
Porterville, CA 93257  
(559) 793-2400

**NATE NELSON, Ed.D.**  
DISTRICT SUPERINTENDENT  
(559) 793-2455  
(559) 793-1088 FAX

DISTRICT BOARD OF TRUSTEES

DAVID DePAOLI  
Member

FELIPE MARTINEZ  
Member

TOMAS VELASQUEZ  
Member

BRAD ROHRBACH, Ed.D.  
Asst. Superintendent  
Business Services  
(559) 793-2450  
(559) 781-8386 FAX

ANDY BUKOSKY, Ed.D.  
Asst. Superintendent  
Human Resources  
(559) 793-2480  
(559) 791-0401 FAX

MARTHA STUEMKY, Ed.D.  
Asst. Superintendent  
Instructional Services  
(559) 793-2452  
(559) 793-1083 FAX

School Site Address: Multiple School Sites **2021 FENCING AND ROLLING GATES PROJECT**

Job Walk: **JANUARY 15, 2021 @ 10:00AM** WESTFIELD ELEMENTARY SCHOOL  
1151 PIONEER AVE - PORTERVILLE, CA 93257

Bids Due: **JANUARY 22, 2021 @ 3:00 PM All Bid must be submitted via Vendor Registry.**

Anticipated Start date if approved **Mid-FEBRUARY**

SCOPE OF WORK PER SITE:

WESTFIELD ELEMENTARY SCHOOL  
1151 PIONEER AVE  
PORTERVILLE, CA 93257:

#1. Remove and install new 6' Chain Link Fence and Gates as noted on the job walk. Gates sizes and locations shall be discussed at the job walk. Chain Link Fencing shall be installed per district details and specs.

= \$ \_\_\_\_\_

MONACHE HIGH SCHOOL  
960 N NEWCOMB ST  
PORTERVILLE, CA 93257:

1. Install new 20' matching rolling gate w/ gate opener, card reader and sensors per the attached product submittal. Gate shall be installed per the district details and specs. All Electrical scope of work shall be provided by the district.

= \$ \_\_\_\_\_

PORTERVILLE HIGH SCHOOL  
465 W OLIVE ST  
PORTERVILLE, CA 93257:

1. Install new 8' X 20' rolling gate w/ gate opener, card reader and sensors per the attached product submittal.  
Demo and replace existing chain link with new 8' high fabric and post. Install (1) 5'x8' high gate at entrance. Gates and fencing shall be installed per the district details and specs. All Electrical scope of work shall be provided by the district.  
= \$ \_\_\_\_\_

DOYLE ELEMENTARY SCHOOL  
1040 E ORANGE AVE  
PORTERVILLE, CA 93257:

1. Install gate opener, card reader and sensors at existing rod Iron Gate. Existing rod Iron Gate shall be reused and fabricated into a complete (1) piece rolling gate. Re painting of gate shall be painted with SHER-LOXANE paint color to match existing paint color. Gates and fencing shall be installed per the district plans and specs. All Electrical scope of work shall be provided by the district.  
= \$ \_\_\_\_\_

If you should have any questions, please feel free to contact me @ (559) 310-9274.

Thank you

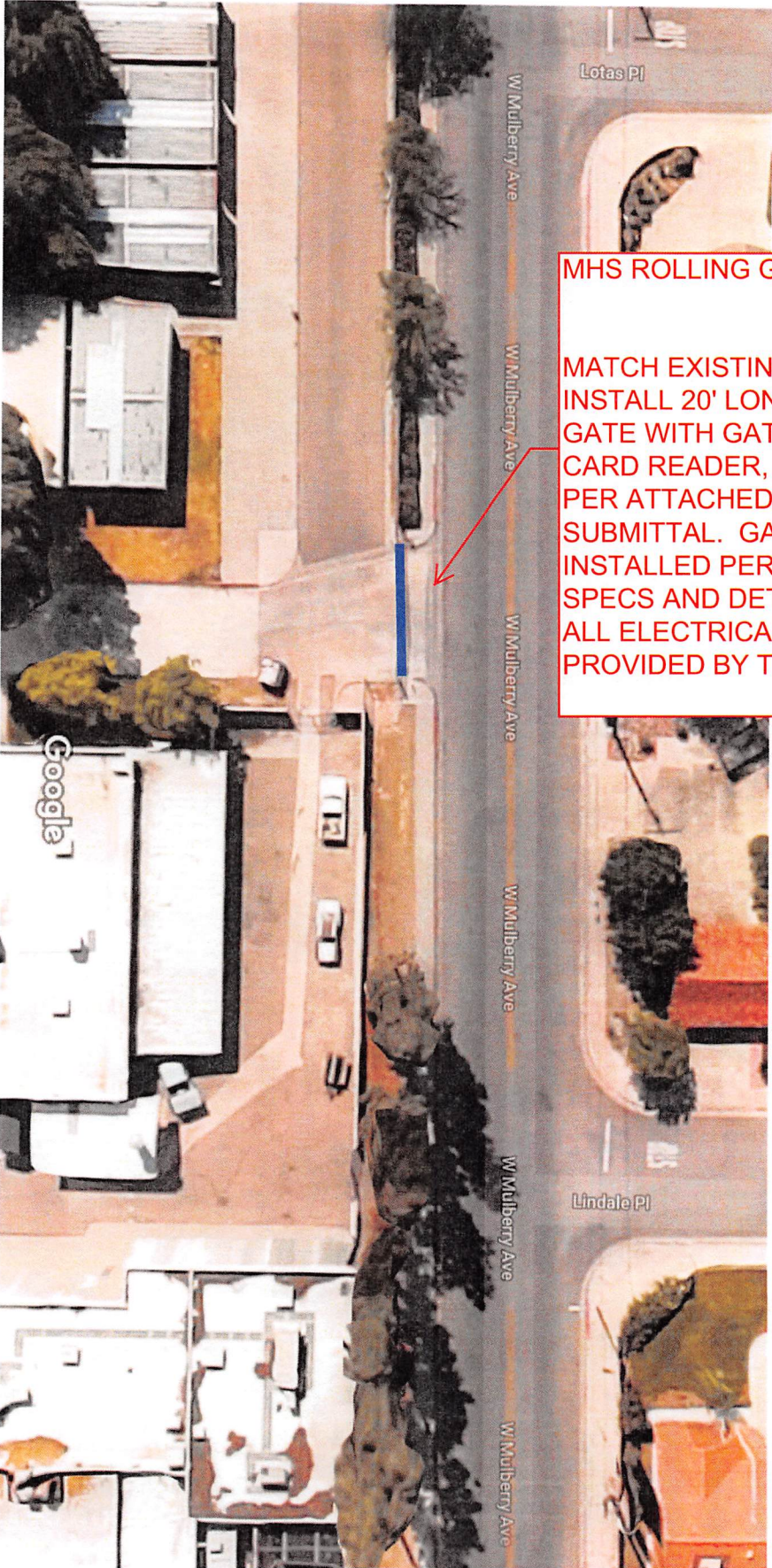
Omar Flores  
Project Manager  
Porterville Unified School District  
(559) 782-7066 ext. 4640  
[omarflores@portervilleschools.org](mailto:omarflores@portervilleschools.org)





WESTFIELD ELEMENTARY  
INSTALL 6' HIGH CHAIN LINK  
FENCING GATES SHALL BE  
DETERMINED AT THE JOB  
WALK FENCING SHALL BE  
INSTALLED PER DISTRICT  
SPEC AND DETAILS

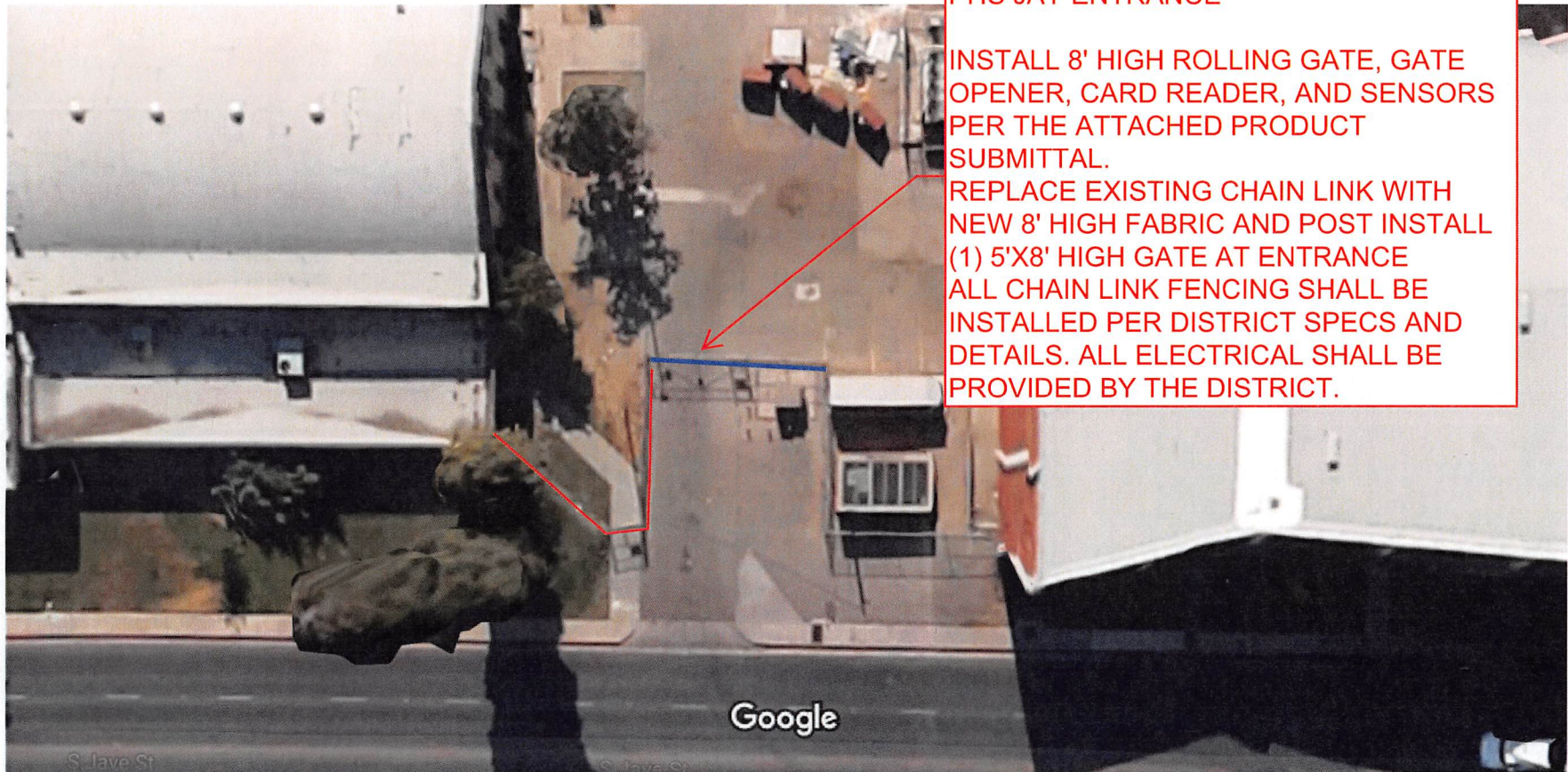




**MHS ROLLING GATE**

**MATCH EXISTING HEIGHT GATE  
INSTALL 20' LONG ROLLING  
GATE WITH GATE OPENER,  
CARD READER, AND SENSORS  
PER ATTACHED PRODUCT  
SUBMITTAL. GATE SHALL BE  
INSTALLED PER DISTRICT  
SPECS AND DETAILS.  
ALL ELECTRICAL SHALL BE  
PROVIDED BY THE DISTRICT.**





**PHS JAY ENTRANCE**

**INSTALL 8' HIGH ROLLING GATE, GATE OPENER, CARD READER, AND SENSORS PER THE ATTACHED PRODUCT SUBMITTAL.**

**REPLACE EXISTING CHAIN LINK WITH NEW 8' HIGH FABRIC AND POST INSTALL (1) 5'X8' HIGH GATE AT ENTRANCE ALL CHAIN LINK FENCING SHALL BE INSTALLED PER DISTRICT SPECS AND DETAILS. ALL ELECTRICAL SHALL BE PROVIDED BY THE DISTRICT.**





Image capture: Apr 2019 © 2021 Google

Porterville, California

Google

Street View

PORTERVILLE HIGH SCHOOL JAY ENTRANCE

Wairgrecino

N

Olive Stree  
Elementar.



S F St

S G St

W Walnut Ave

S H St

Olive Ave

S H St

S Kessing St

S Dun

S Kessing St

S Weste



School

S Villa St



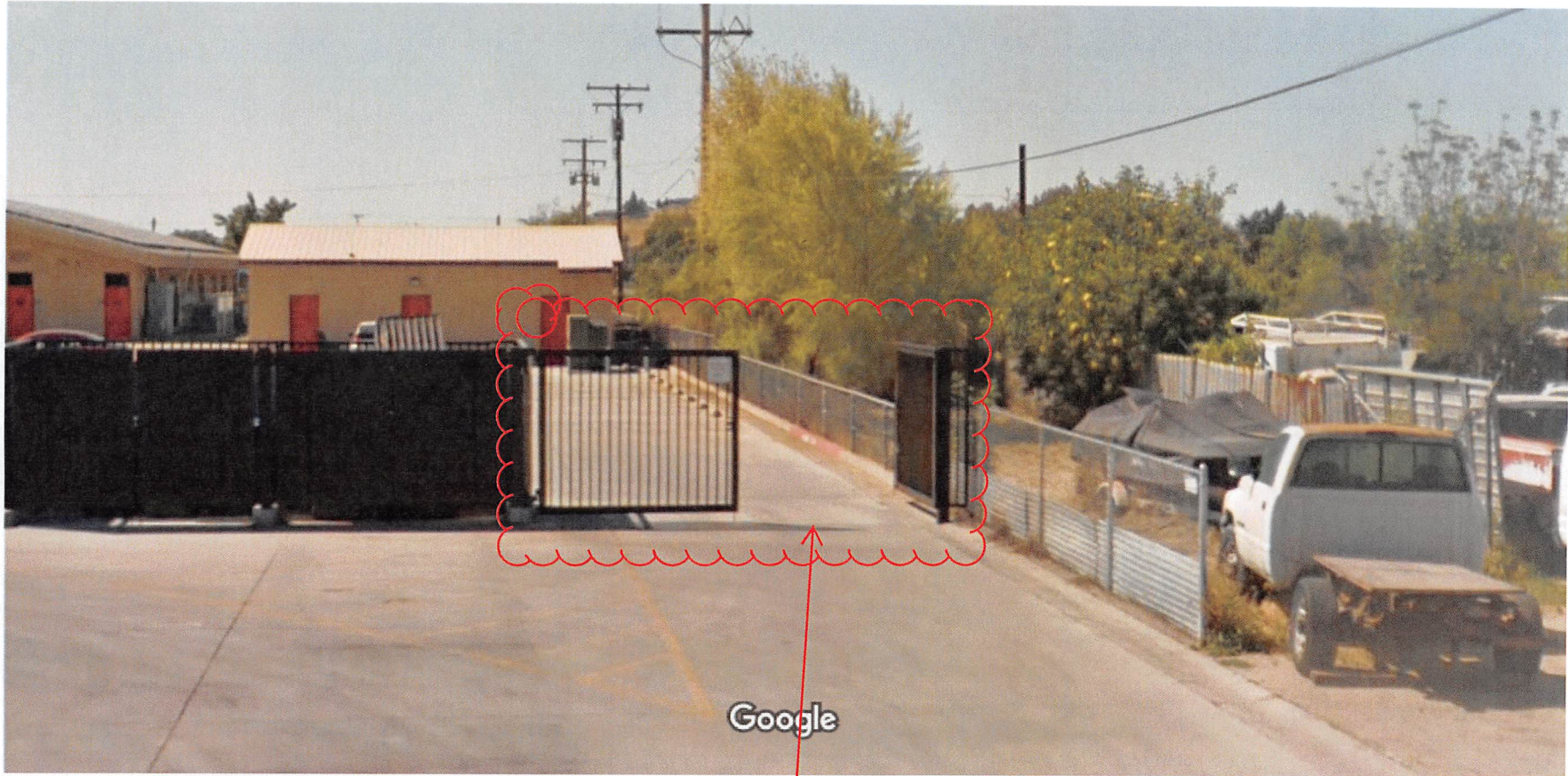


Image capture: Apr 2019 © 2021 Google

Porterville, California

Google

Street View

**DOYLE ELEMENTARY SCHOOL**

**USE EXISTING ROD IRON FENCE PANELS AND CREATE ROLLING GATE NO NEW POST NEEDED TO BE INSTALLED.**

**INSTALL GATE OPENER, CARD READER AND SENSORS PER THE ATTACHED PRODUCT SUBMITTAL.**

**INSTALL CLOSURE PER THE DISTRICT PLANS AND SPECS.**

**ALL ELECTRICAL SHALL BE PROVIDED BY THE DISTRICT.**



view St

Dixie Dr

E Isham Ave

Midstate Nursery

E Roby Ave

John J. Doyle  
Elementary School

E Orange Ave

5 W St

E Date Ave

Dollar General

# Commercial

# SlideSmart DC™



Slide Gate Operator

## Quick and easy install

Long life slide gate operator with best in class controller and battery backup.



Move up to 1,500 lb/40 ft gate. Cycle big, heavy gates with SlideSmart HD



Intelligent charging system, monitors battery condition to maximize battery life



Keep your gate moving after power loss: up to 4,000 ft/standard batteries and 25,000 ft/extended batteries



Onboard event log for easy troubleshooting



Field Programmable to specific site requirements



Independent, field-adjustable open and close speeds



Real time system security alerts with optional HyNet™ Gateway



5 year warranty  
7 year single-family



**PREMIUM  
Photo Eye\*  
& ASO Edge**

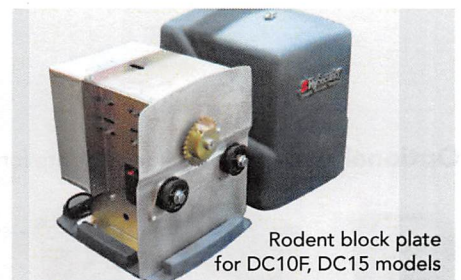
& hardware included  
\*Through Beam



SlideSmart DC



SlideSmart DC



Rodent block plate  
for DC10F, DC15 models

**SYSTEM DESIGN SUPPORT:** Contact Nice | HySecurity for help with custom site requirements, CAD drawings, tech manuals or other specifications support.

**VISIT HYSECURITY.COM** for installation manuals, parts diagrams, wiring diagrams, specifications, image gallery, videos, training and much more.



hysecurity.com | 800-321-9947

Manufacturer of rural/ranch, residential, commercial and parking gate operators and accessories.





# Residential and Commercial



Slide Gate Operator

## 4 SlideSmart™ DC Models, AC and Solar

	FAST	
<b>Standard</b>	SlideSmart DC 10F	SlideSmart DC 15
<b>Solar</b>	SlideSmart DCS 10F	SlideSmart DCS 15
<b>Gate Weight Max.</b>	1,000 lb (453 kg)	1,500 lb (680 kg)
<b>Gate Length Max.</b>	40 ft (12 m)	
<b>Pull Force*</b>	200 lb	300 lb
<b>Rate of Travel</b>	1.75, 2 or 2.25 ft/s (53, 61 or 69 cm/s) Open/Close speed set independently	0.75, 1 or 1.25 ft/s (23, 30 or 38 cm/s)** Open/Close speed set independently
<b>Duty Cycle</b>	Continuous	
<b>Horsepower</b>	1/2 hp	
<b>Drive</b>	Electromechanical	
<b>UPS Battery Backup Cycles*</b>	Field configurable to fail open or secure when batteries deplete. Standard battery backup gate travel: Two 8Ah batteries. Up to 4,000 ft (1,219 m) after AC power loss. Extended battery backup gate travel: Two 50Ah batteries. Up to 25,000 ft (7,620 m) after AC power loss.	
<b>Temperature Rating</b>	-13°F to 158°F (-25°C to 70°C)	
<b>Operating Voltage</b>	24VDC	
<b>Input Voltage</b>	115V or 208-230V, 60/50 Hz. Solar: 24VDC solar panels ††	
<b>Accessory Power</b>	12VDC and 24VDC 1A each	
<b>Communication</b>	USB, RS-232, RS-485. Ethernet/fiber using optional HyNet™ Gateway accessory	
<b>User Controls</b>	Smart DC Controller with 70+ configurable settings. 32 character LCD display and 5 tact buttons or a PC using S.T.A.R.T. software.	
<b>Relays</b>	Two configurable user relays: 30VDC, 3A solid state and 250VAC, 10A electromechanical; Optional Hy8Relay™ for 8 additional relay outputs	
<b>Finish</b>	Zinc plated chassis; molded polyethylene cover	
<b>ETL Listed (UL 325)</b>	Usage Class III, IV***	Usage Class I, II, III, IV**
<b>Cycle Tested</b>	500,000 cycles	
<b>Warranty</b>	5 year w/product registration	5 year (7 year single-family residential) w/product registration

\* HySecurity manufactures only reliable and powerful gate operators and provides an extra margin of power to be certain the gate works in adverse conditions. Some manufacturers overstate the length and weight capacity of their operators, but HySecurity rates conservatively. Note that our pull force ratings are substantial and that extra margin of power is part of the HySecurity reputation for reliability.

\*\* Speed setting cannot be configured to exceed 1 ft/s for Class I and II usage.

\*\*\*Not for residential use or applications intended to serve the general public.

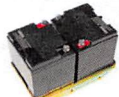
† The actual number of gate cycles available from battery depends upon gate resistance to travel, cycle length, battery size, state of charge and health, ambient temperature, accessory power draw and frequency of gate cycles during power outage.

To enable fully automatic operation, all SLIDE gate operators require a minimum of TWO monitored external entrapment protection sensors (one for each direction) to protect entrapment zones in both the open and close direction of travel. Visit [hysecurity.com/gatesafety](http://hysecurity.com/gatesafety) for more information on UL 325 standards and gate safety.

### Optional Accessories - See website for complete list



Base Extension



Battery Backup Kit - 50Ah



Rodent Barrier - 10F, 15 models



Hy5B Vehicle Detector



HyNet™ Gateway Integration



Photo Eye Kits



ASO Edge Sensors



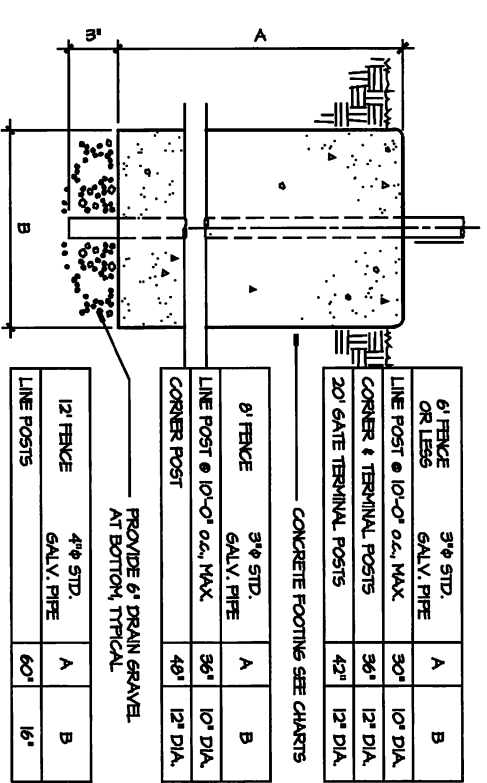
Post Mount Kit



Contact Nice | HySecurity for an operator/parts distributor near you.  
phone 253-867-3700 | 800-321-9947  
[hysecurity.com](http://hysecurity.com) | [sales@hysecurity.com](mailto:sales@hysecurity.com)

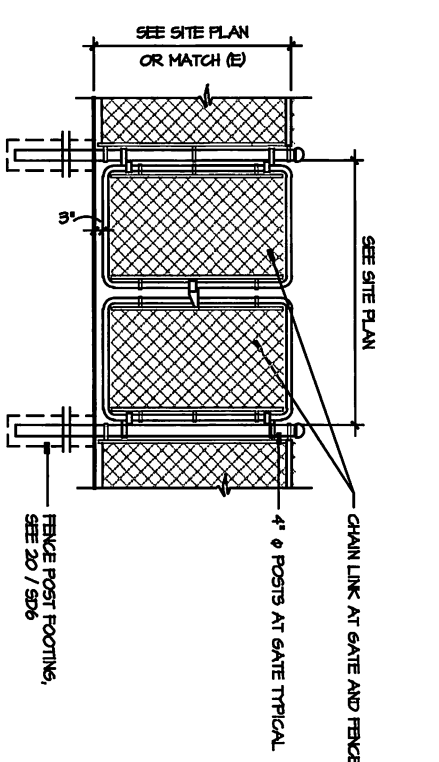


D0539 020520

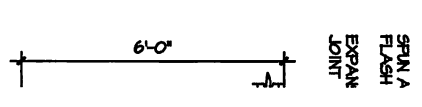


6" FENCE OR LESS	3" $\phi$ STD. GALV. PIPE	A	B
LINE POST @ 10'-0" o.c. MAX.	30"	10" DIA.	
CORNER & TERMINAL POSTS	36"	12" DIA.	
20' GATE TERMINAL POSTS	42"	12" DIA.	
CONCRETE FOOTING: SEE CHARTS			
6" FENCE	3" $\phi$ STD. GALV. PIPE	A	B
LINE POST @ 10'-0" o.c. MAX.	36"	10" DIA.	
CORNER POST	48"	12" DIA.	
PROVIDE 6" DRAIN GRAVEL AT BOTTOM, TYPICAL			
12" FENCE	4" $\phi$ STD. GALV. PIPE	A	B
LINE POSTS		60"	16"

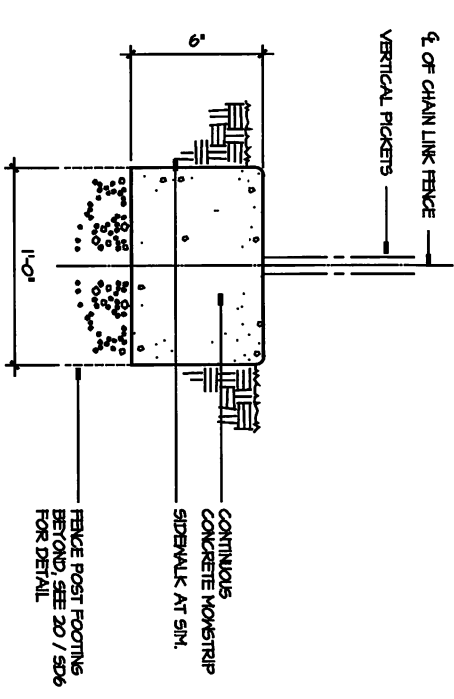
**20 C.L. FENCE POST FOOTING**  
1/2" = 1'-0"



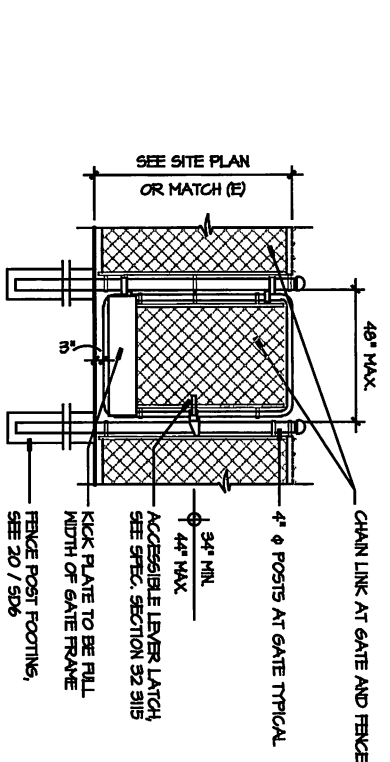
**15 C.L. DBL. MAINT. GATES**  
SCALE: 1/4" = 1'-0"  
(NOT ACCESSIBLE)



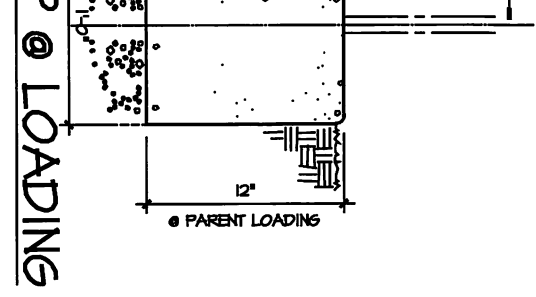
**10**



**19 FENCE MON STRIP**  
1/2" = 1'-0"



**14 C.L. PEDESTRIAN GATE**  
SCALE: 1/4" = 1'-0"



**9 I**

FACE OF METAL I  
TERMINA DRAININ POSTS (AN SLOPED)  
EXT. PAN GRADE 1  
R/C STC CIVIL FC  
CON/PAC