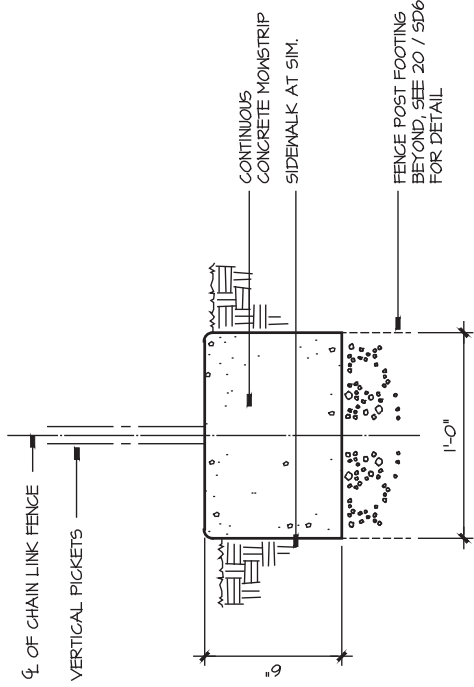


6' FENCE OR LESS	3" φ STD. GALV. PIPE	A	B
LINE POST @ 10'-0" o.c., MAX.		30"	10" DIA.
CORNER & TERMINAL POSTS		36"	12" DIA.
20' GATE TERMINAL POSTS		42"	12" DIA.

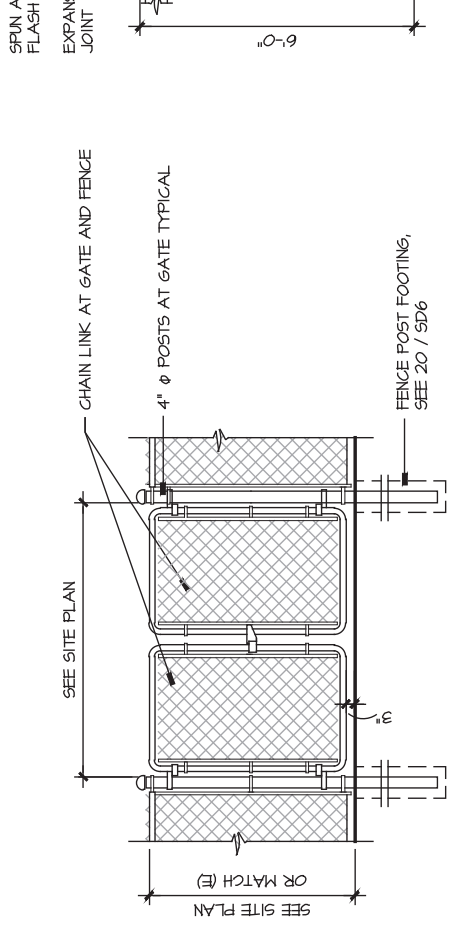
8' FENCE	3" φ STD. GALV. PIPE	A	B
LINE POST @ 10'-0" o.c., MAX.		36"	10" DIA.
CORNER POST		40"	12" DIA.

12' FENCE	4" φ STD. GALV. PIPE	A	B
LINE POSTS		60"	16"

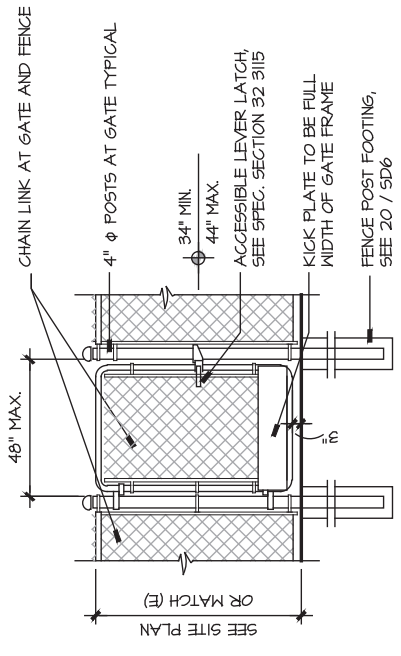
20 C.L. FENCE POST FOOTING
SCALE: 1/2" = 1'-0"



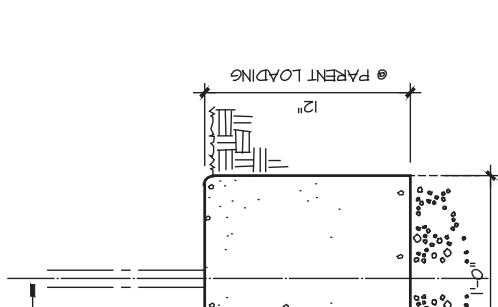
19 FENCE MOW STRIP
SCALE: 1/2" = 1'-0"



15 C.L. DBL. MAINT. GATES
SCALE: 1/4" = 1'-0" (NOT ACCESSIBLE)



14 C.L. PEDESTRIAN GATE
SCALE: 1/4" = 1'-0"



13 @ LOADING
SCALE: 1/2" = 1'-0"

SPIN A
FLASH
EXPAN
JOINT

0-9

10

FACE OF
METAL D
TERMINA
DRAINAG
PORTLA
SLOPED
EXT. PA
GRADE

PVC STC
CIVIL FC
COMPAC

9