

CITY OF GEORGETOWN

SOUTH CAROLINA

MARYVILLE SCHOOL LIFT STATION REPLACEMENT

PROJECT #1815
 R.I.A. GRANT #S-21-1287
 JUNE 30, 2021

REBID DATE: NOVEMBER 10, 2021

SHEET INDEX

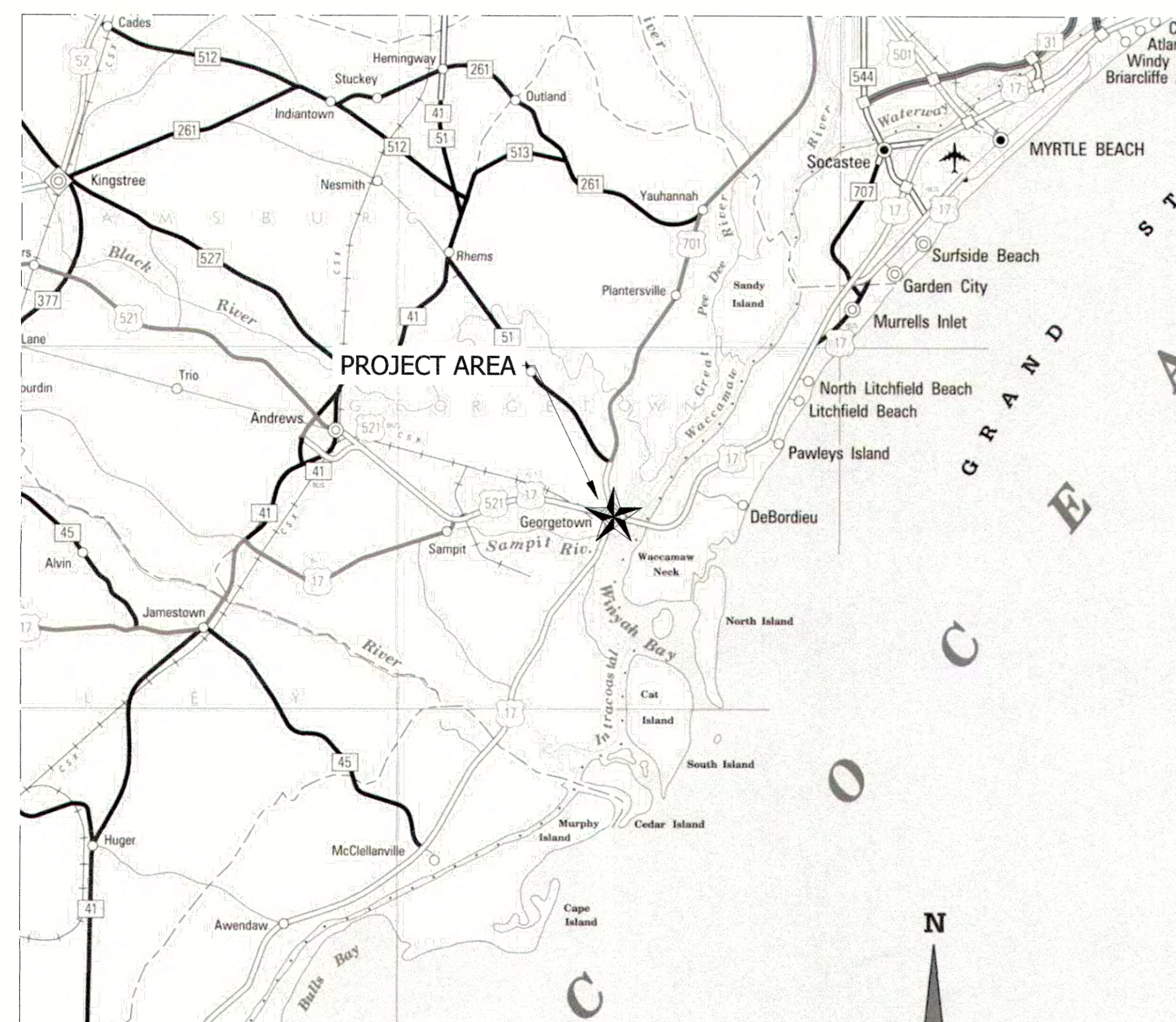
C - 01	COVER SHEET
C - 02	LEGEND, ABBREVIATIONS AND GENERAL NOTES
C - 03	LIFT STATION PLAN SHEET
C - 04	MISCELLANEOUS DETAILS
E - 01	ELECTRICAL PLAN SHEET



Wooten

1411 Gervais St., Suite 315 • Columbia, SC 29201-2528
 (803) 978-2488 • thewootencompany.com
 Certificate of Authorization : 5119

BID SET



VICINITY MAP
 NOT TO SCALE



PROJECT AREA MAP
 NOT TO SCALE

ABBREVIATIONS:

A	AREA	FOPD	FIBER OPTIC PEDESTAL	PSI	POUNDS PER SQUARE INCH
ABND	ABANDONED	FP	FIRE PROTECTION	PT	POINT OR POINT OF TANGENCY
ABC	AGGREGATE BASE COURSE	FPS	FEET PER SECOND	PUE	PERMANENT UTILITY EASEMENT
AFF	ABOVE FINISHED FLOOR	FT	FEET	PVC	POLYVINYL CHLORIDE
APRX	APPROXIMATE			PVMT	PAVEMENT
ASPH	ASPHALT	G	GAS	R	RADIUS
ASSY	ASSEMBLY	GA	GAUGE	GM	REINFORCED CONCRETE PIPE
ATS	AUTOMATIC TRANSFER SWITCH	GPM	GALLONS PER MINUTE	REF	REFERENCE
AVG	AVERAGE	GR	GRADE	REQD	REQUIRED
ARV	AIR RELEASE VALVE	GTV	GATE VALVE	REINF	REINFORCED
AWWA	AMERICAN WATER WORKS ASSOCIATION	GV	GAS VALVE	RET	RETAINING
				REV	REVISED
B-B	BACK OF CURB TO BACK OF CURB	HH	HAND HOLE	RPM	REVOLUTIONS PER MINUTE
BLDG	BUILDING	HORZ	HORIZONTAL	RPZ	REDUCED PRESSURE ZONE
BM	BENCHMARK	HP	HORSE POWER	RS	RIGID STEEL
BO	BLOW-OFF	HWA	HIGH WATER ALARM	RT	RIGHT
BOA	BLOW-OFF ASSEMBLY	HWL	HIGH WATER LEVEL	RTU	REMOTE TERMINAL UNIT
BOT	BOTTOM			R/W	RIGHT-OF-WAY
		ID	INSIDE DIAMETER	S	SOUTH
C&G	CURB AND GUTTER	IN	INCH	SCH	SCHEDULE
CB	CATCH BASIN	IN/HR	INCHES PER HOUR	SDMH	STORM DRAINAGE MANHOLE
C	CENTERLINE	INF	INFLUENT	SF	SILT FENCE
CIP	CAST IRON PIPE	INT	INTERSECTION	SHT	SHEET
CI	CURB INLET	INV	INVERT	SGNL	SIGNAL POLE
CLR	CLEARANCE	IPS	IRON PIPE SET	SPECS	SPECIFICATIONS
CM	CONCRETE MONUMENT	ISL	ISLAND	SQ	SQUARE
CMP	CORRUGATED METAL PIPE			SS	SANITARY SEWER
CO	CLEAN OUT	JB	JUNCTION BOX	SSM	SANITARY SEWER MANHOLE
CONC	CONCRETE			SSTL	STAINLESS STEEL
CONT	CONTINUOUS	L	LENGTH	ST	STREET
CSTR	CONSTRUCTION	LF	LINEAR FEET	STA	STATION
CONTR	CONTRACTOR	LP	LIGHT POLE	STD	STANDARD
COR	CORNER	LT	LEFT	SYM	SYMBOL
CPED	CABLE TV PEDESTAL	LWL	LOW WATER LEVEL	S/W	SIDEWALK
CLVT	CURVERT				
D	DEPTH	MAX	MAXIMUM	T	TANGENT
DI	DROP INLET	MATL	MATERIAL	TBM	TEMPORARY BENCHMARK
DIA	DIAMETER	MECH	MECHANICAL	TCE	TEMPORARY CONSTRUCTION EASEMENT
DIP	DUCTILE IRON PIPE	MFR	MANUFACTURER	TEMP	TEMPORARY
DIM	DIMENSION	MH	MANHOLE	THH	TELEPHONE HAND HOLE
DIST	DISTANCE	MIN	MINIMUM	THK	THICK
DNF	DID NOT FIND	MON	MONUMENT	TOC	TOP OF CURB
DOT	DEPARTMENT OF TRANSPORTATION	MPZ	MAIN POWER ZONE	TOP	TOP OF SLOPE
DW	DOMESTIC WATER			TPED	TELEPHONE PEDESTAL
		N	NORTH	TPHN	TELEPHONE
E	EAST	NAD 83	NORTH AMERICAN DATUM 83	TRANS	TRANSFORMER
E-E	EDGE OF PAVEMENT TO EDGE OF PAVEMENT	NCWN	NORMAL CROWN	TRFCBX	TRAFFIC SIGNAL CONTROL BOX
EFF	EFFLUENT	NC GRID	NORTH CAROLINA GRID	TRFCPL	TRAFFIC SIGNAL POLE
EIP	EXISTING IRON PIPE	NCGS	NORTH CAROLINA GEODETIC SURVEY	TYP	TYPICAL
EL	ELEVATION	No.	NUMBER		
ELEC	ELECTRIC	NOM	NOMINAL	UMKR	UTILITY MARKER
EPED	ELECTRIC PEDESTAL	NTS	NOT TO SCALE	UP	UTILITY POLE
EP	EDGE OF PAVEMENT	NWL	NORMAL WATER LEVEL	U/G	UNDERGROUND
EW	EACH WAY	N/A	NOT AVAILABLE		
EWTR	EDGE OF WATER	N/R	NOT REQUIRED	VC	VERTICAL CURVE
Ex	EXISTING			VCP	VITRIFIED CLAY PIPE
EXPJT	EXPANSION JOINT	OC	ON CENTER	VERT	VERTICAL
		OD	OUTSIDE DIAMETER	VOL	VOLUME
		OH	OVERHEAD	VPC	VERTICAL POINT OF CURVATURE
FDC	FIRE DEPARTMENT CONNECTION	ORIG	ORIGINAL	VPI	VERTICAL POINT OF INTERSECTION
FFE	FINISHED FLOOR ELEVATION			WL	WATER LINE
FG	FINISHED GRADE	P	PROPERTY LINE	WM	WATER METER
FH	FIRE HYDRANT	PC	POINT OF CURVATURE	WT	WEIGHT
FHA	FIRE HYDRANT ASSEMBLY	PE	PLAIN END	WV	WATER VALVE
FHL	FIRE HYDRANT LEG	PED	PEDESTAL	WTP	WATER TREATMENT PLANT
FHV	FIRE HYDRANT VALVE	PI	POINT OF INTERSECTION	WWF	WELDED WIRE FABRIC
FIN	FINISH	PIV	POST INDICATOR VALVE	WWTP	WASTE WATER TREATMENT PLANT
FLG	FLAG	POB	POINT OF BEGINNING		
FLNG	FLANGE	POC	POINT OF CONNECTION		
FM	FORCE MAIN	POE	POINT OF ENDING	YH	YARD HYDRANT
FOHH	FIBER OPTIC HAND HOLE	PRV	PRESSURE REDUCING VALVE	YI	YARD INLET
FOM	FIBER OPTIC MARKER				

GENERAL NOTES:

- ALL PROPOSED UTILITIES TO BE BUILT TO CITY OF GEORGETOWN STANDARDS AND THE PROJECT SPECIFICATIONS. IF THERE ARE ANY DISCREPANCIES, THE MORE STRINGENT OF THE TWO SHALL BE ADHERED TO.
- EXISTING UTILITIES ARE LOCATED APPROXIMATELY ON THE DRAWINGS. CONTRACTOR SHALL CONTACT UTILITY LOCATE TO CONFIRM THE LOCATIONS OF ALL EXISTING TELEPHONE, ELECTRICAL AND TV CABLES, GAS LINES AND OTHER UTILITIES AT LEAST 48 HOURS PRIOR TO COMMENCING WORK. CONTRACTOR RESPONSIBLE FOR VERIFYING EXACT LOCATION OF THESE EXISTING UTILITIES. THE COST TO REPAIR THESE FACILITIES IF DAMAGED, SHALL BE THE RESPONSIBILITY OF THE CONTRACTOR.
- THE CONTRACTOR SHALL NOTIFY SCDOT AT LEAST 48 HOURS PRIOR TO BEGINNING ANY WORK WITHIN SCDOT RIGHTS-OF-WAY. RIGHTS-OF-WAY AND/OR TEMPORARY EASEMENT ARE THE LIMITS FOR CONSTRUCTION.
- THE CONTRACTOR SHALL TAKE PRECAUTIONS NOT TO DISTURB EXISTING PROPERTY CORNER MARKERS. PROPERTY CORNERS, RIGHTS-OF-WAY LINES, AND EASEMENTS SHALL BE CLEARLY MARKED FOR CONSTRUCTION LIMITS. ALL DISTURBED PROPERTY CORNERS SHALL BE REPLACED BY A REGISTERED LAND SURVEYOR.
- TEMPORARILY REMOVE MINOR ITEMS AS REQUIRED FOR THE INSTALLATION OF THE UTILITY. MINOR ITEMS SHALL INCLUDE, BUT ARE NOT LIMITED TO, EXISTING SIGNS, MAIL BOXES, FENCES, AND STORM SEWER PIPES. FENCES WITHIN RIGHTS-OF-WAY SHALL BE RELOCATED TO THE RIGHT-OF-WAY LINE AND FENCES WITHIN EASEMENTS SHALL BE REMOVED UNLESS OTHERWISE NOTED. INCLUDE COST IN THE PER FOOT COST OF THE UTILITY BEING INSTALLED.
- SUPPORT EXISTING POLES, FENCES, CURBS, PAVEMENT, UTILITIES, CURBING AND OTHER STRUCTURES DURING CONSTRUCTION. REPAIR DAMAGED ITEMS TO THEIR ORIGINAL CONDITION AT NO ADDITIONAL COST.
- OPEN CUT PAVED DRIVEWAYS PER SPECIFICATION. PROVIDE PAVEMENT PATCHING PER DETAIL. UNPAVED ROADS OR DRIVEWAYS SHALL BE PROVIDED WITH STONE PER PATCHING DETAIL.
- EXCAVATED MATERIAL SHALL NOT BE PLACED ON THE ROADWAYS AT ANY TIME, UNLESS APPROVED BY THE SCDOT DISTRICT ENGINEER.
- EDGE OF UTILITY TRENCH SHALL BE NO CLOSER THAN 3 FEET TO THE EXISTING EDGE OF PAVEMENT.
- CONTRACTOR TO NOTIFY ORLANDO ARTEAGA; WITH CITY OF GEORGETOWN, AT 843-545-4000 PRIOR TO BEGINNING WORK.
- THE LIMITS OF DISTURBANCE SHALL BE AS SHOWN ON THE PLANS.

EROSION CONTROL NOTES:

- INSTALL SILT FENCE OVER AND AROUND TOP OF EXISTING PIPE AND INLETS AT DISTURBED AREAS.
- INSTALL SILT FENCE AROUND SPOIL PILES.
- PROVIDE EROSION CONTROL MEASURES AROUND STOCK/WASTE PILES AND STAGING AREAS AS APPROVED BY ENGINEER.
- PROTECT STORM PIPE INLETS FROM SEDIMENT RUNOFF DUE TO LAND DISTURBING ACTIVITIES WITH STONE CHECK DAM OR ARC FILTER AS APPROPRIATE FOR SITE CONDITIONS.
- REPLACE DISTURBED STORM PIPE OUTLET PROTECTION WITH EQUAL OR GREATER AMOUNT OF RIP-RAP WITHIN 14 DAYS OF DISTURBANCE.
- WHERE AREA AROUND OUTLET IS DISTURBED AND NO OUTLET PROTECTION EXISTS, CLASS "1" RIP-RAP SHALL BE PLACED AROUND PIPE OUTLET AS DIRECTED BY ENGINEER.
- PROVIDE EROSION CONTROL MATTING IN DITCHES AND SWALES AS DIRECTED BY ENGINEER.
- ANY SEEPAGE PUMPED OUT OF BORE PITS OR TRENCHES SHALL BE PUMPED THROUGH A DEWATER BAG.
- TEMPORARY CHECK DAMS SHALL BE ESTABLISHED AT LOW END OF WORK AS THE JOB PROGRESSES.
- SWEEP PAVED AREAS CLEAN AS NECESSARY TO PREVENT SILT RUNOFF.

EROSION CONTROL SEQUENCE:

- CLEAR SITE ONLY AS NECESSARY TO INSTALL EROSION CONTROL DEVICES AS INDICATED ON THE DRAWINGS.
- NOTIFY OWNER PRIOR TO COMMENCING MAIN CONSTRUCTION OPERATIONS.
- ONCE EROSION CONTROL DEVICES ARE APPROVED, BEGIN CONSTRUCTION OPERATION.
- MAINTAIN EROSION CONTROL DEVICES AS NECESSARY DURING CONSTRUCTION. INSPECT DEVICES AFTER EVERY RAINFALL EVENT AN REMOVE ACCUMULATED SEDIMENT WHEN HALF FULL. RECORD INSPECTION ON STORM WATER INSPECTION FORMS. SUBMIT FORMS EACH MONTH WITH PAY REQUEST.
- AS CONSTRUCTION PROGRESSES, INSTALL ADDITIONAL EROSION CONTROL DEVICES AS NEEDED OR DIRECTED BY ENGINEER.
- SEED AND MULCH DISTURBED AREA WITHIN FOURTEEN (14) WORKING DAYS:
 - UPON COMPLETION OF ANY PHASE OF CONSTRUCTION.
 - WHEN WORK WILL NOT PROCEED IN AN AREA WITHIN THE ABOVE TIME FRAME.
- AFTER SITE IS STABILIZED, REQUEST AN INSPECTION BY THE ENGINEER. UPON APPROVAL OF SITE STABILIZATION, REMOVE TEMPORARY EROSION CONTROL DEVICES, DRESS-OUT AREA, AND SEED AND MULCH.

CONSTRUCTION SEQUENCE:

- INSTALL ALL EROSION AND SEDIMENT CONTROL ITEMS.
- CLEARING AND GRUBBING.
- REMOVE CHAIN LINK FENCE.
- INSTALL TEMPORARY 6' MINIMUM CONSTRUCTION FENCING. CONTRACTOR IS RESPONSIBLE FOR MAINTAINING JOB SITE SECURITY.
- LOCATE EXISTING UTILITIES.
- EXCAVATE FOR NEW WET WELL.
- INSTALL NEW WET WELL AND EQUIPMENT.
- SHUT DOWN EXISTING FACILITY WITH BYPASS PUMPING. (SEE SPECIFICATIONS)
- TIE NEW WET WELL PUMPS INTO SCADA SYSTEM.
- DISCONNECT ELECTRICAL LINES FOR EXISTING SYSTEM AND CONNECT INTO THE NEW SYSTEM. WILL REQUIRE HAULING INFLUENT OFF SITE.
- CONNECT OLD WET WELL TO NEW WET WELL.
- MODIFY EXISTING WET WELL FOR SEWER WATER FLOW AND TRASH BASKET/ GRINDER PUMP INSTALLATION.
- START UP AND TESTING NEW SUBMERSIBLE PUMPS AND GENERATOR.
- SHUT DOWN BYPASS PUMP TO INSTALL NEW FM CONNECTION AND SWITCH FLOW TO NEW PUMP STATION.
- AFTER 48 HOURS OF SUCCESSFUL OPERATION OF NEW PUMP STATION, SHUT DOWN AND REMOVE BYPASS PUMP OPERATION.
- COMPLETE SITE GRADING, GRAVEL INSTALLATION AND STABILIZATION OF SITE.
- INSTALL NEW CHAIN LINK FENCE.
- COMPLETE SITE GRADING AND STABILIZATION.
- INSTALL NEW CHAIN LINK FENCE.

LEGEND

		<i>Font Style Indicates Existing Features</i>		FONT STYLE INDICATES DESIGN FEATURES	
SURVEY					
	<u>CODE</u>	<u>Existing</u>	<u>PROPOSED</u>		
BENCHMARK	BM				
CONCRETE MONUMENT FOUND	CMF				
CONCRETE MONUMENT SET	CMS				
CONTROL POINT	CP				
GEOTECHNICAL BORE	BORE				
IRON PIPE FOUND	IPF				
IRON PIPE SET	IPS				
IRON ROD FOUND	IRF				
IRON ROD SET	IRS				
MAG NAIL FOUND	MNF				
MAG NAIL SET	MNS				
MILE MARKER (HWY)	MM				
MILE MARKER (RR)	MM				
NAIL FOUND	NLF				
NAIL SET	NLS				
PK NAIL FOUND	PKF				
PK NAIL SET	PKS				
PROPERTY LINE					
TEMPORARY BENCHMARK	TBM				
WETLAND FLAG	WLF				
SITE					
	<u>CODE</u>	<u>Existing</u>	<u>PROPOSED</u>		
AREA LIGHT / LIGHT POLE	LP				
BOLLARD	BOLL				
BUFFER					
CURB FLOW LINE					
FENCE	FNC				
FIRE HOSE	HOSE				
FIRE WATER LINE	FWL				
SIGN	SN				
EASEMENTS					
	<u>Existing</u>	<u>PROPOSED</u>			
ACCESS EASEMENT	AE				
DRAINAGE EASEMENT	SDE				
PUBLIC UTILITY EASEMENT	UE/PUE				
RIGHT-OF-WAY	RW				
SEWER EASEMENT	SSE				
TEMPORARY CONSTRUCTION EASEMENT	TCE				
WATER EASEMENT	WLE				
EROSION CONTROL					
	<u>CODE</u>	<u>Existing</u>	<u>PROPOSED</u>		
CHECK DAM	RCHK				
INLET PROTECTION					
RIP-RAP	RPRP				
LIMITS OF DISTURBANCE					
LIMITS OF DISTURBANCE @ ACCESS EASEMENT					
LIMITS OF DISTURBANCE @ EDGE OF PAVEMENT					
LIMITS OF DISTURBANCE @ RIGHT-OF-WAY					
LIMITS OF DISTURBANCE @ UTILITY EASEMENT					
LIMITS OF DISTURBANCE @ TEMPORARY CONSTRUCTION EASEMENT					
LIMITS OF DISTURBANCE @ TEMPORARY CONSTRUCTION ACCESS					
RIPARIAN BUFFER - ZONE 1	RBZ1				
RIPARIAN BUFFER - ZONE 2	RBZ2				
SILT FENCE	SF				
SILT FENCE OUTLET	SFLT				
SILT FENCE / TREE PROTECTION FENCE	SF/TPF				
SUPER SILT FENCE	SSF				
TREE PROTECTION FENCE	TPF				
WATTLE	WTTL				
WATTLE BARRIER	WB				
UTILITIES					
	<u>CODE</u>	<u>Existing</u>	<u>PROPOSED</u>		
CABLE TV CABLE	CTV				
CABLE TV HAND HOLE	CHH				
CABLE TV PEDESTAL	CPED				
UNDERGROUND ELECTRICAL CABLE	UGE				
OVERHEAD ELECTRICAL WIRE	OHE				
ELECTRICAL HAND HOLE	EHH				
ELECTRICAL MANHOLE	EMH				
ELECTRICAL METER	EM				
ELECTRICAL PEDESTAL	EPED				
FIBER OPTIC CABLE	FOC				
FIBER OPTIC HAND HOLE	FOHH				
GAS LINE	GL				
GAS METER	GM				
GAS VALVE	GV				
GUY / ANCHOR WIRE	GUY				
LIGHT POLE / AREA LIGHT	LP				
POWER POLE	PP				
STEAM MANHOLE	STMH				
TELECOMMUNICATIONS CABLE	COM				
TELECOMMUNICATIONS MANHOLE	TMH				
TELEPHONE CABLE	COM				
TELEPHONE HAND HOLE	THH				
TELEPHONE PEDESTAL	TPED				
TRAFFIC SIGNAL BOX	TECB				
TRAFFIC SIGNAL POLE	TECP				
TRANSFORMER	TRNS				
UTILITY MARKER / WARNING POST	WIT				
UTILITY POLE	UP				
VEGETATION					
	<u>CODE</u>	<u>Existing</u>	<u>PROPOSED</u>		
CONIFEROUS TREE	CTREE				
DECIDUOUS TREE	DTREE				
HEDGE / SHRUB ROW	HED				
LANDSCAPING	LSCP				
TREELINE / WOODS					
WATER					
	<u>CODE</u>	<u>Existing</u>	<u>PROPOSED</u>		
AIR RELEASE VALVE IN MANHOLE	ARVMH				
BLOW OFF	BO				
BLOW OFF (TEMPORARY)	BO				
FIRE HYDRANT	FH				
FIRE HYDRANT VALVE	FHV				

REVISIONS

Wooten
 1411 Gervais St., Suite 315 • Columbia, SC 29201-2528
 (803) 976-2488 • thewootencompany.com
 Certificate of Authorization: 5119

SOUTH CAROLINA
 CITY OF GEORGETOWN

MARYVILLE SCHOOL LIFT STATION REPLACEMENT

LIFT STATION

DESIGNED BY: JPM

DRAWN BY: BGF

CHECKED BY: JPM

PROJECT NO.: 3383 - A

DATE: JUNE 30, 2021

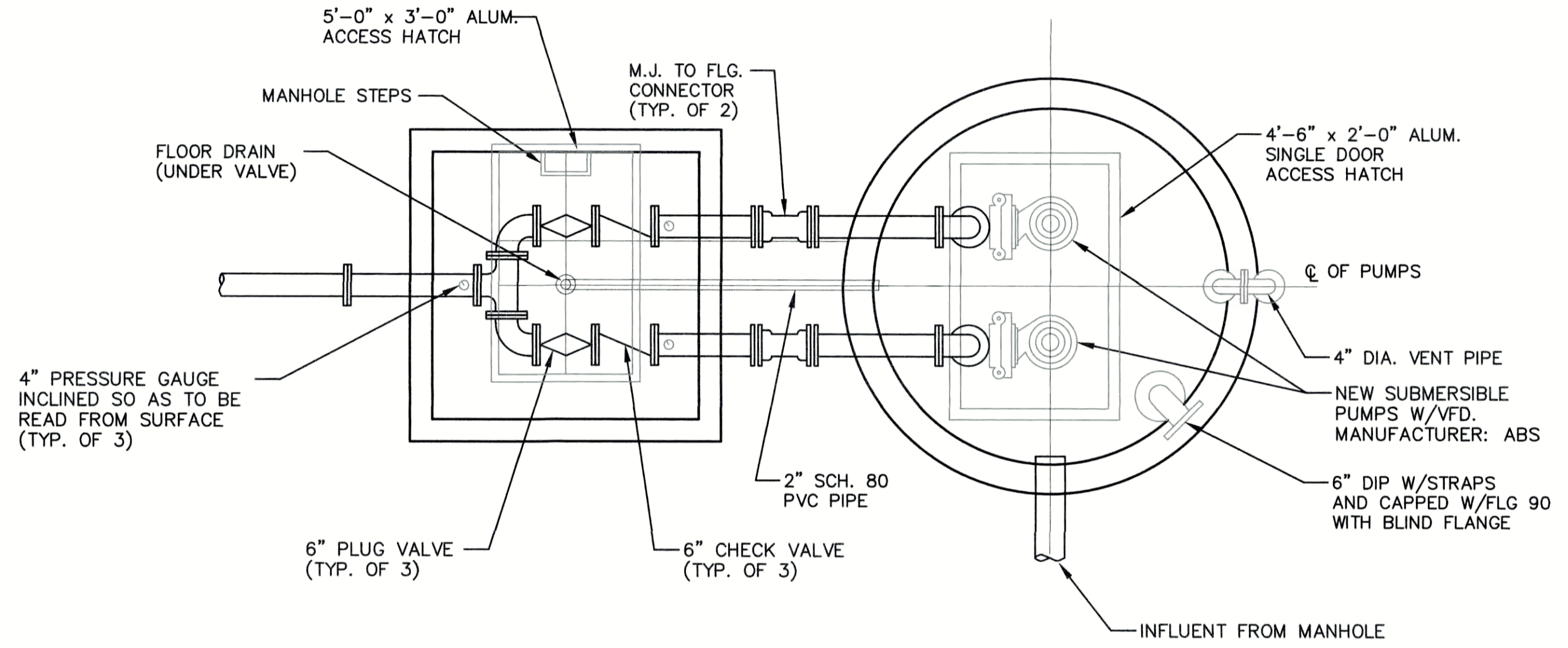
SCALE: HORZ.: 1" = 10'

VERT.: 1" = 5'

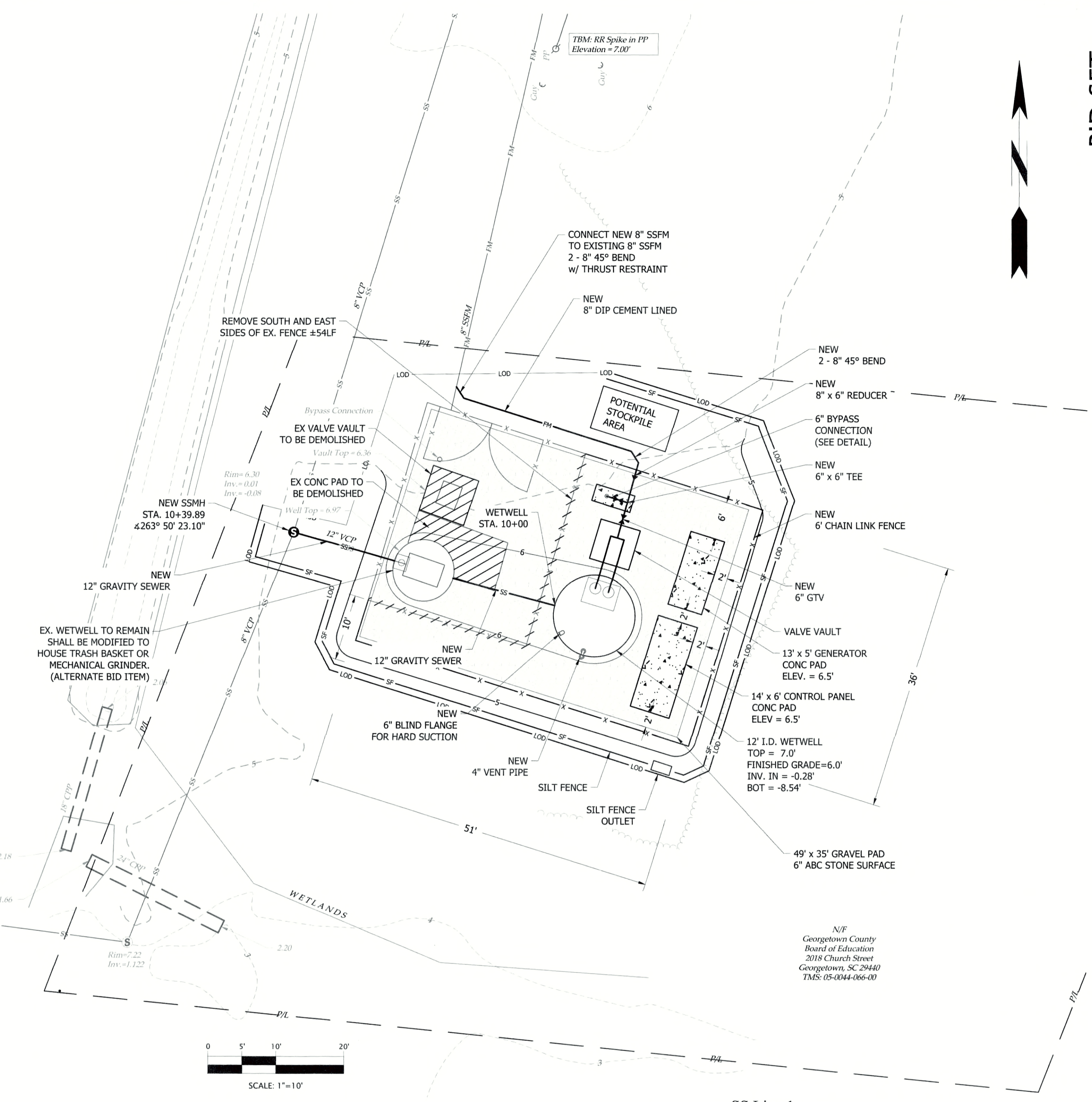
C-03

PUMP STATION SCHEDULE

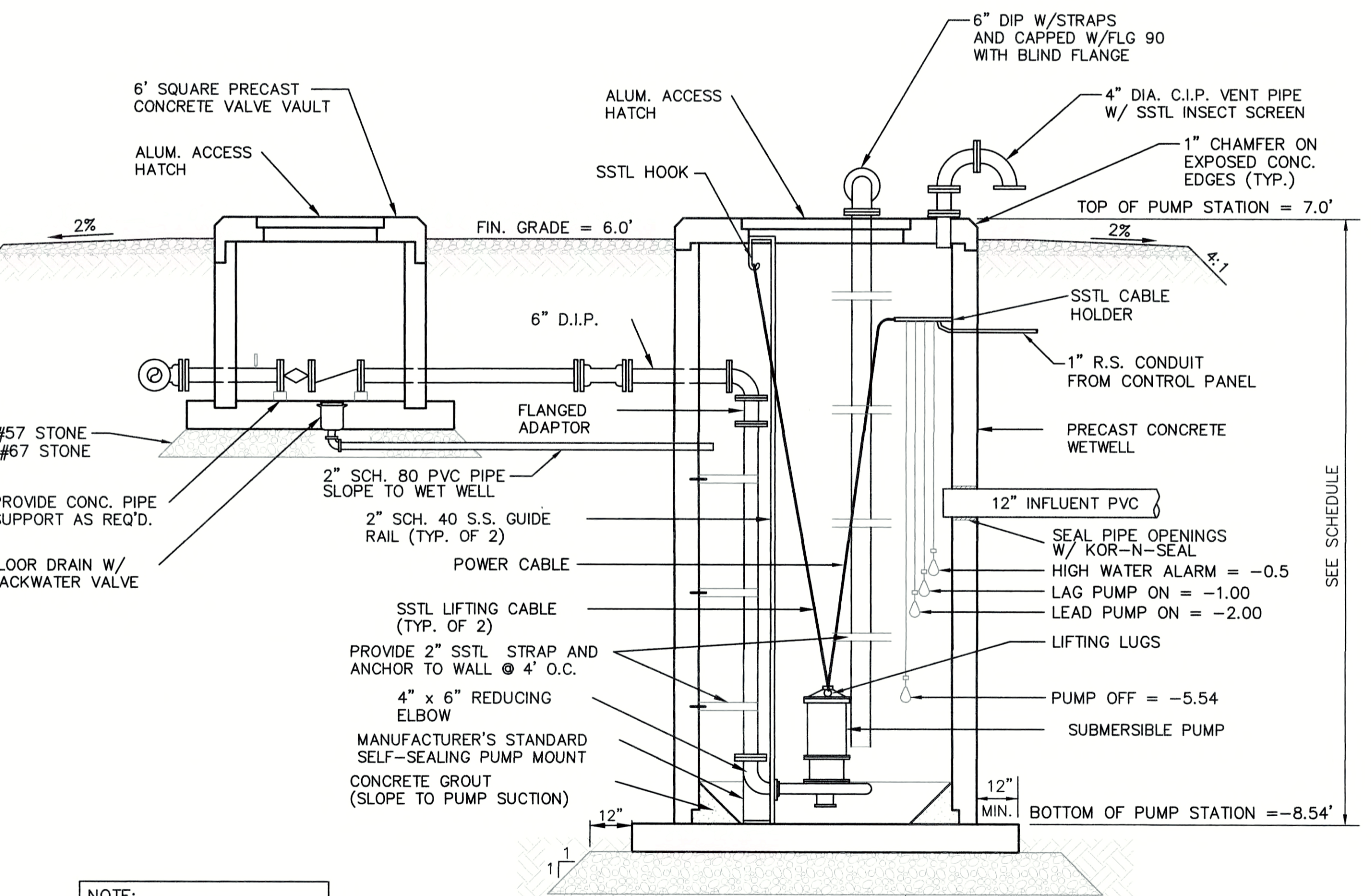
WET WELL DIAMETER (FT)	CAPACITY (GPM)	T.D.H. (FT)	MOTOR (HP)	TOP OF STATION ELEV (FT)	BOTTOM OF STATION ELEV (FT)	FINISHED GRADE (FT)	PUMP OFF ELEVATION (FT)	LEAD PUMP ON ELEV (FT)	LAG PUMP ON ELEV (FT)	HIGH WATER ALARM ELEV (FT)	12" INV IN ELEVATION (FT)
12	780	126	58	7	-8.54	6.0	-5.54	-2	-1	-0.5	-1.10



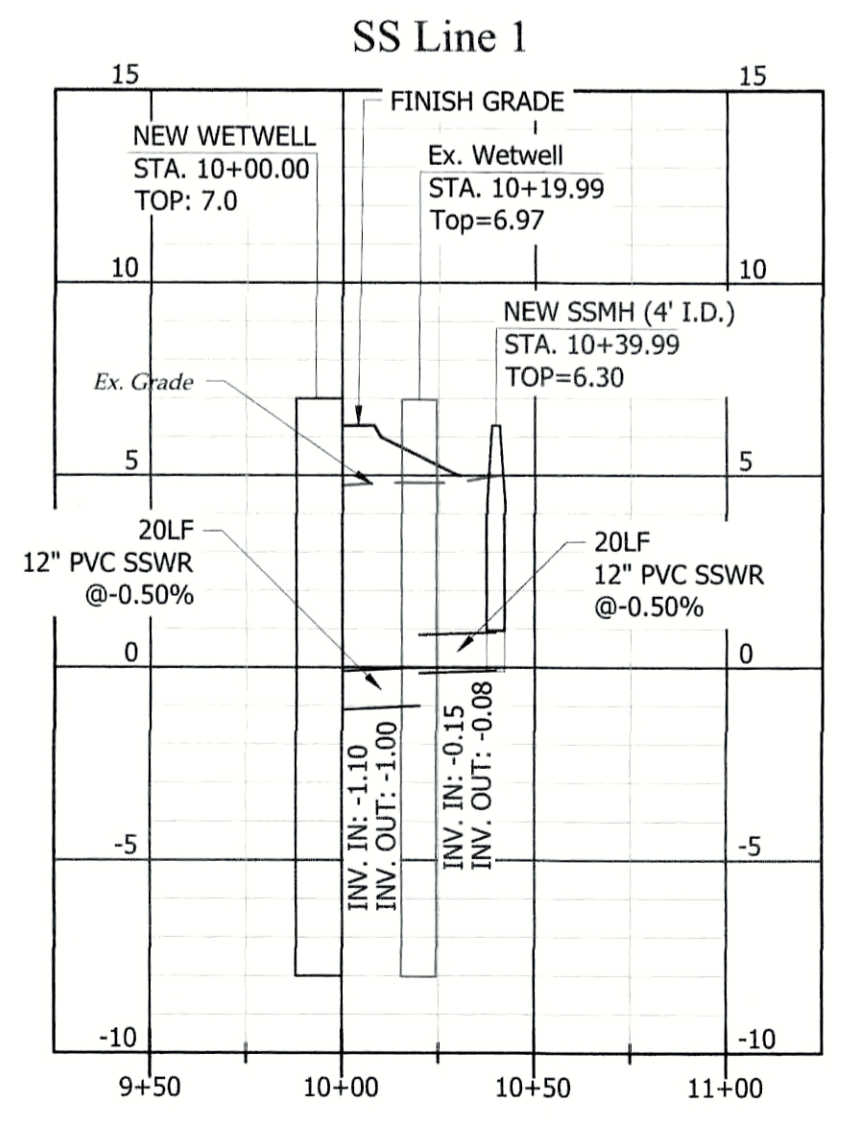
PUMP STATION PLAN
NOT TO SCALE



- NOTES:
1. INFORMATION SHOWN COLLECTED THRU SURVEY DATA AND PREVIOUS PLANS. CONTRACTOR SHALL FIELD VERIFY ALL INFORMATION REQUIRED TO CONSTRUCT PROJECT.
 2. CONTRACTOR SHALL INSTALL ALL EROSION AND SEDIMENT CONTROL ITEMS PRIOR TO COMMENCING CONSTRUCTION OR EARTH DISTURBING ACTIVITIES, AND MAINTAIN IN WORKING ORDER FOR THE DURATION OF THE PROJECT.
 3. CONTRACTOR IS RESPONSIBLE FOR TEMPORARY SHEET PILE DESIGN, SHORE AND BRACE SYSTEM DESIGN.
 4. CONTRACTOR IS RESPONSIBLE FOR ANY DEWATERING SYSTEM.
 5. CONTRACTOR IS RESPONSIBLE FOR INSPECTIONS AND TESTING.



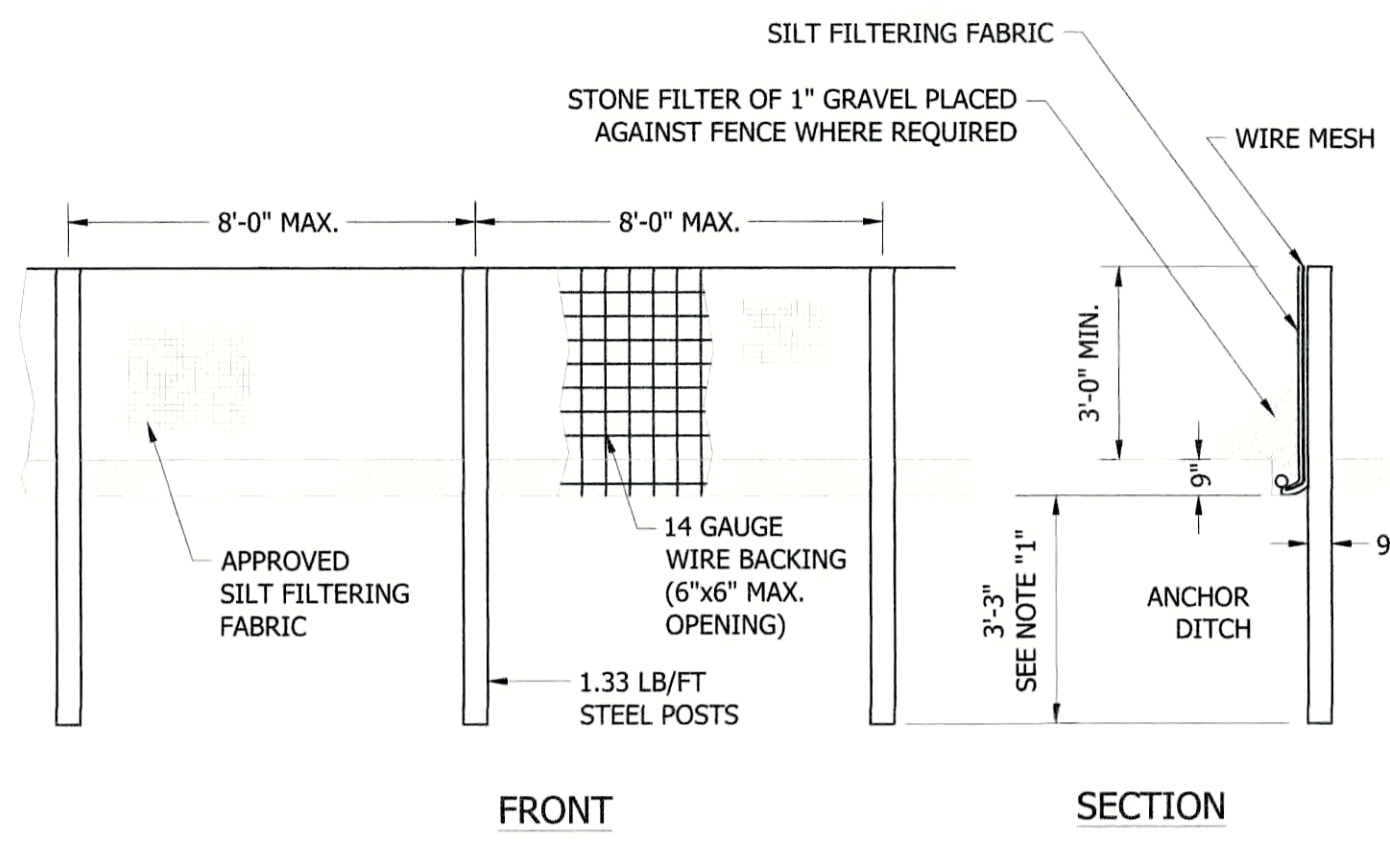
PUMP STATION SECTION
NOT TO SCALE



PROPOSED SEWER PROFILE
SCALE: 1" = 50' Horz.
1" = 5' Vert.

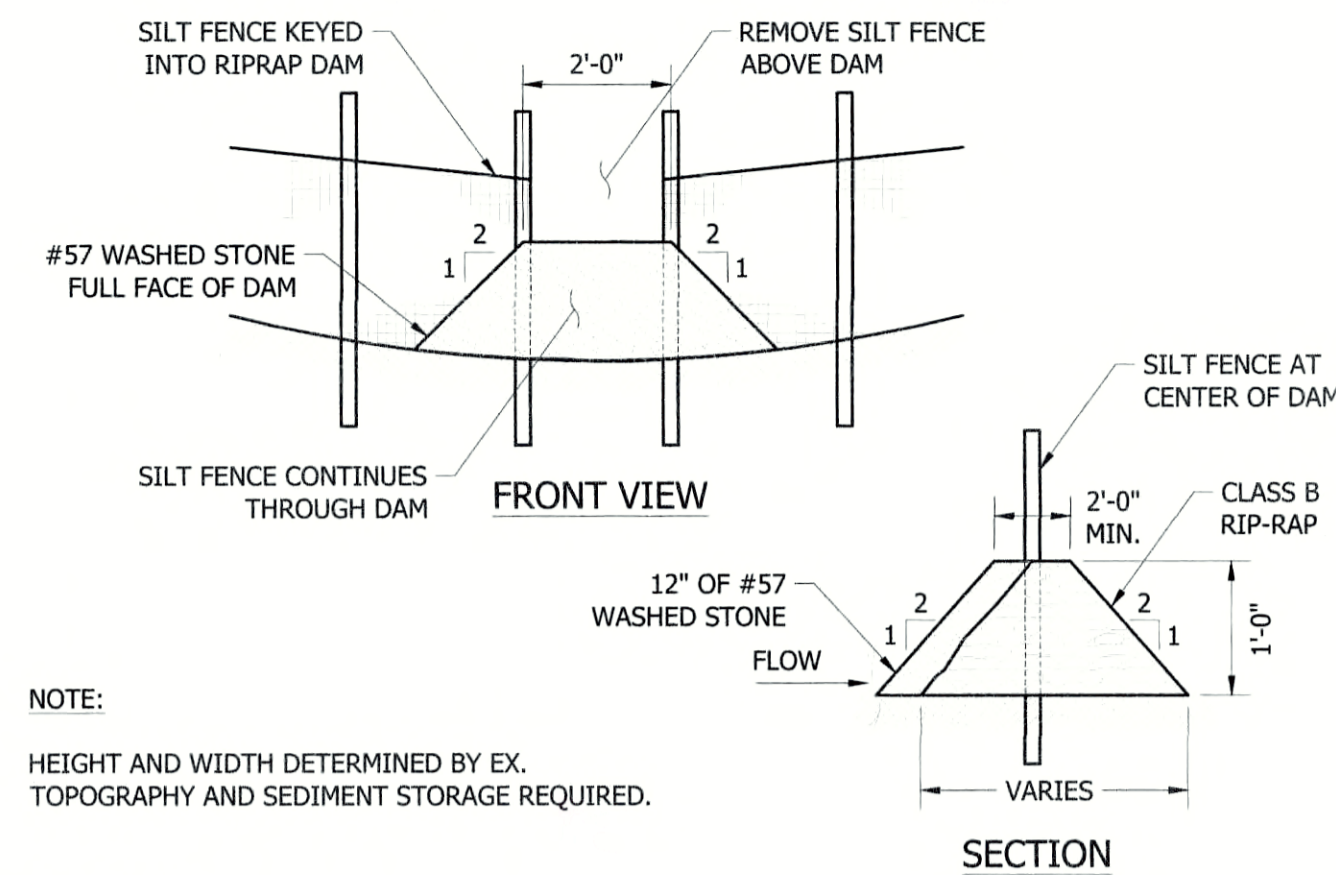
NOTE:
NEW WET WELL TO HAVE EPOXY COATED INSIDE.

T:\Projects\Georgetown-3383\A-MaryvilleSchool_LiftStation\CADD\3383-A_SHTS_C-01.dwg BFAULK 11/4/2021 9:19 AM



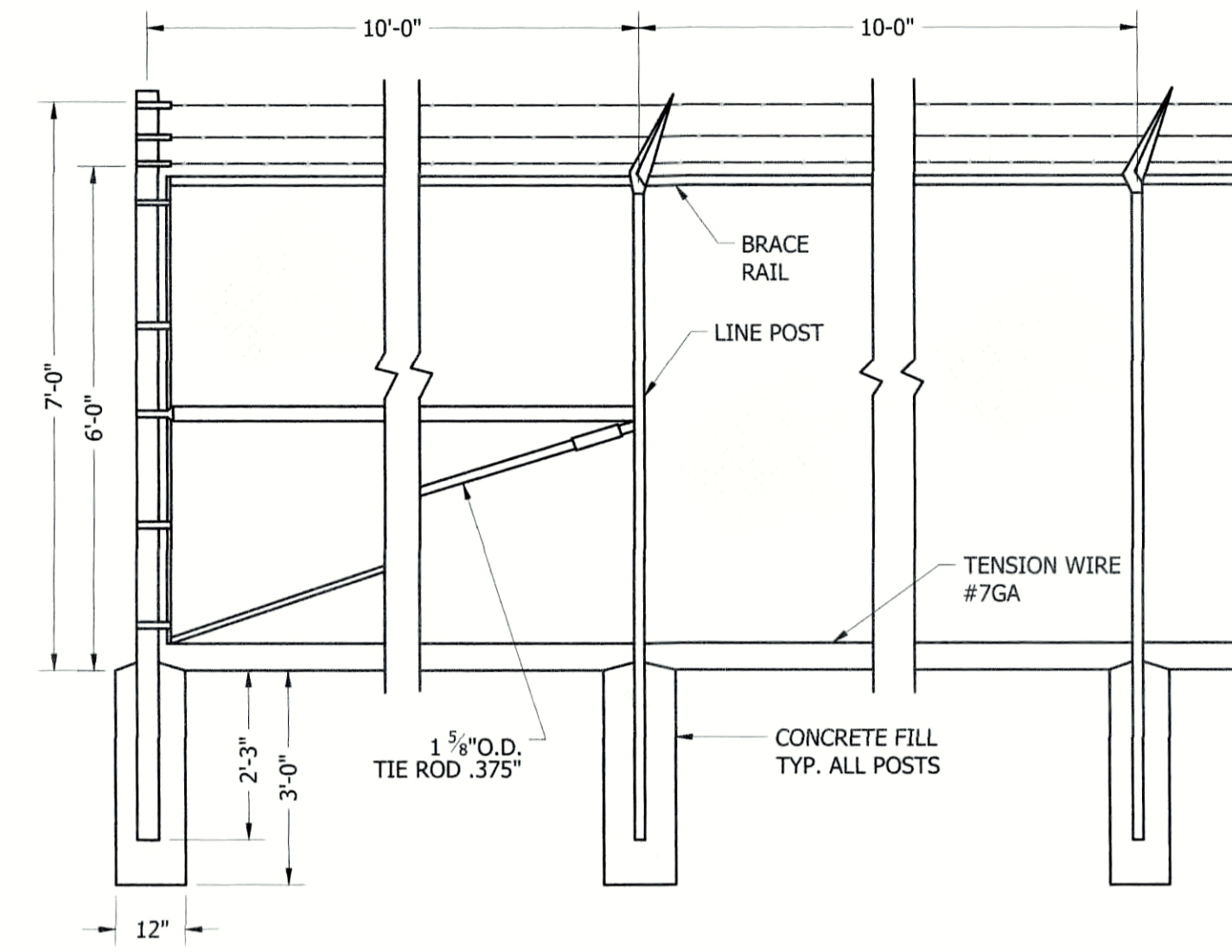
- NOTES:
- POSTS SET AT DEPTHS OF 4' FOR EARTH BACKFILL. ANCHOR DITCH IS 9" x 9" AND FILL IS TO BE COMPACTED.
 - PROVIDE ADEQUATE EXCAVATION AHEAD OF SILT FENCE TO ACT AS A VELOCITY BREAK AND SILT TRAP.
 - CONTRACTOR MAY USE ALTERNATE MATERIAL OR METHOD UPON APPROVAL FROM ENGINEER.

1 SILT FENCE
C-04 NOT TO SCALE

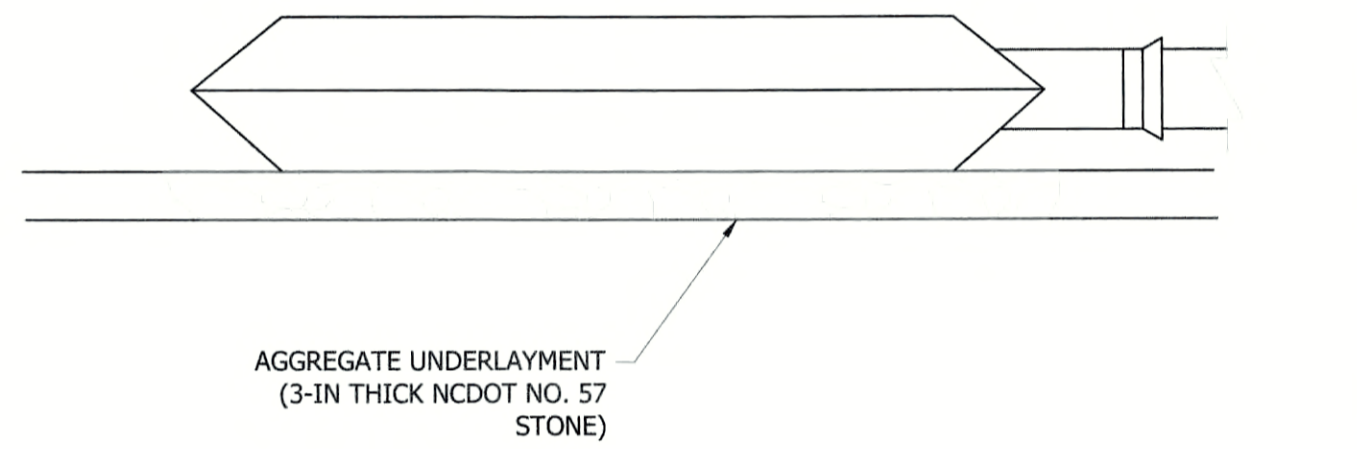
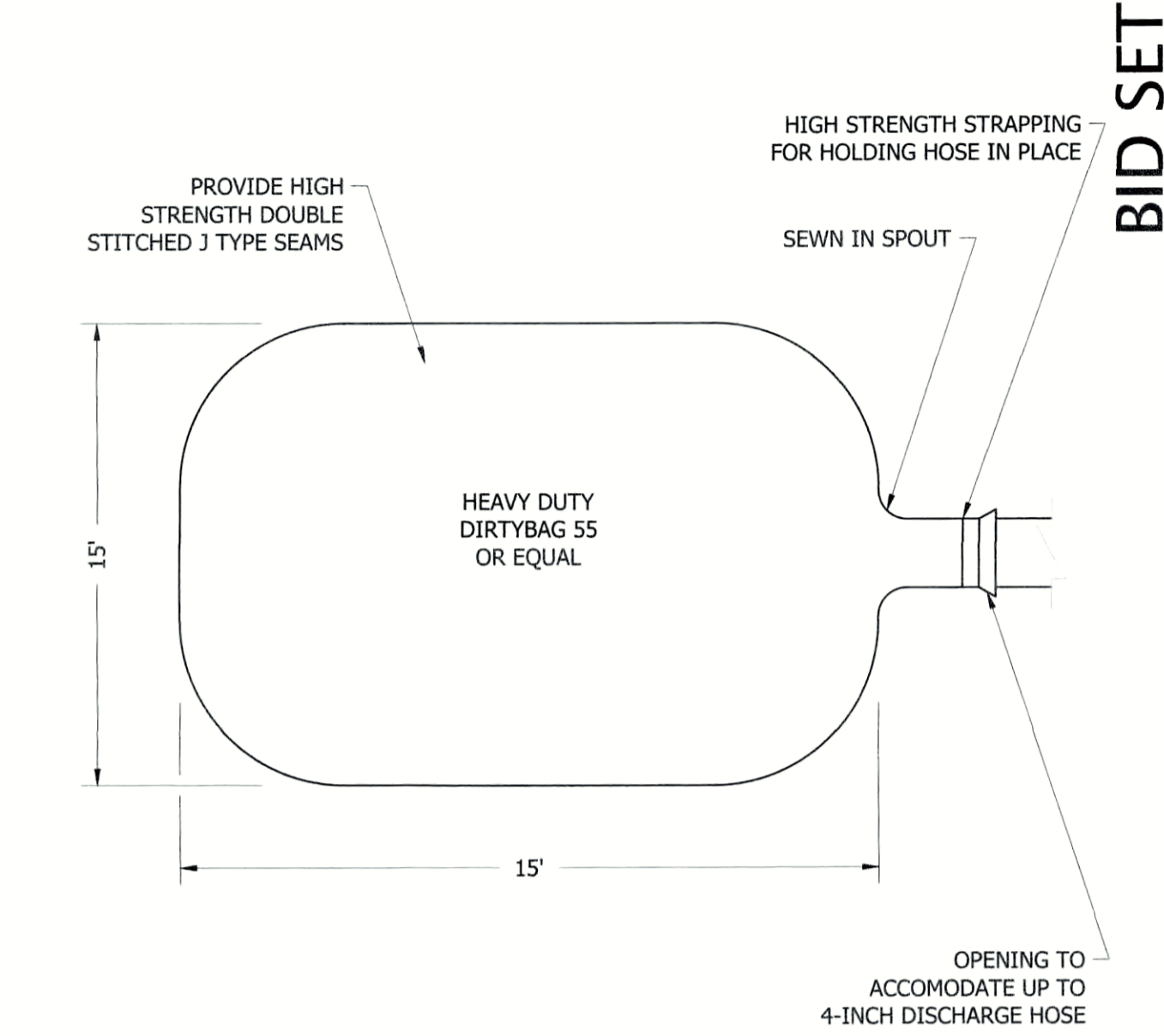


- NOTE:
HEIGHT AND WIDTH DETERMINED BY EX. TOPOGRAPHY AND SEDIMENT STORAGE REQUIRED.
- MAINTENANCE:
- INSPECT STONE OUTLETS AT LEAST ONCE A WEEK AND AFTER EACH RAINFALL. CHECK THE STRUCTURE FOR EROSION, PIPING, AND ROCK DISPLACEMENT. MAKE ANY REQUIRED REPAIRS IMMEDIATELY.
 - REMOVE SEDIMENT DEPOSITS AS NECESSARY TO PROVIDE ADEQUATE STORAGE VOLUME FOR THE NEXT RAIN.
 - REMOVE STONE OUTLET AND UNSTABLE SEDIMENT DEPOSITS AND BRING AREA TO GRADE AND STABILIZE IT AFTER THE CONTRIBUTING DRAINAGE AREA HAS BEEN PROPERLY STABILIZED.

2 STONE OUTLET
C-04 NOT TO SCALE

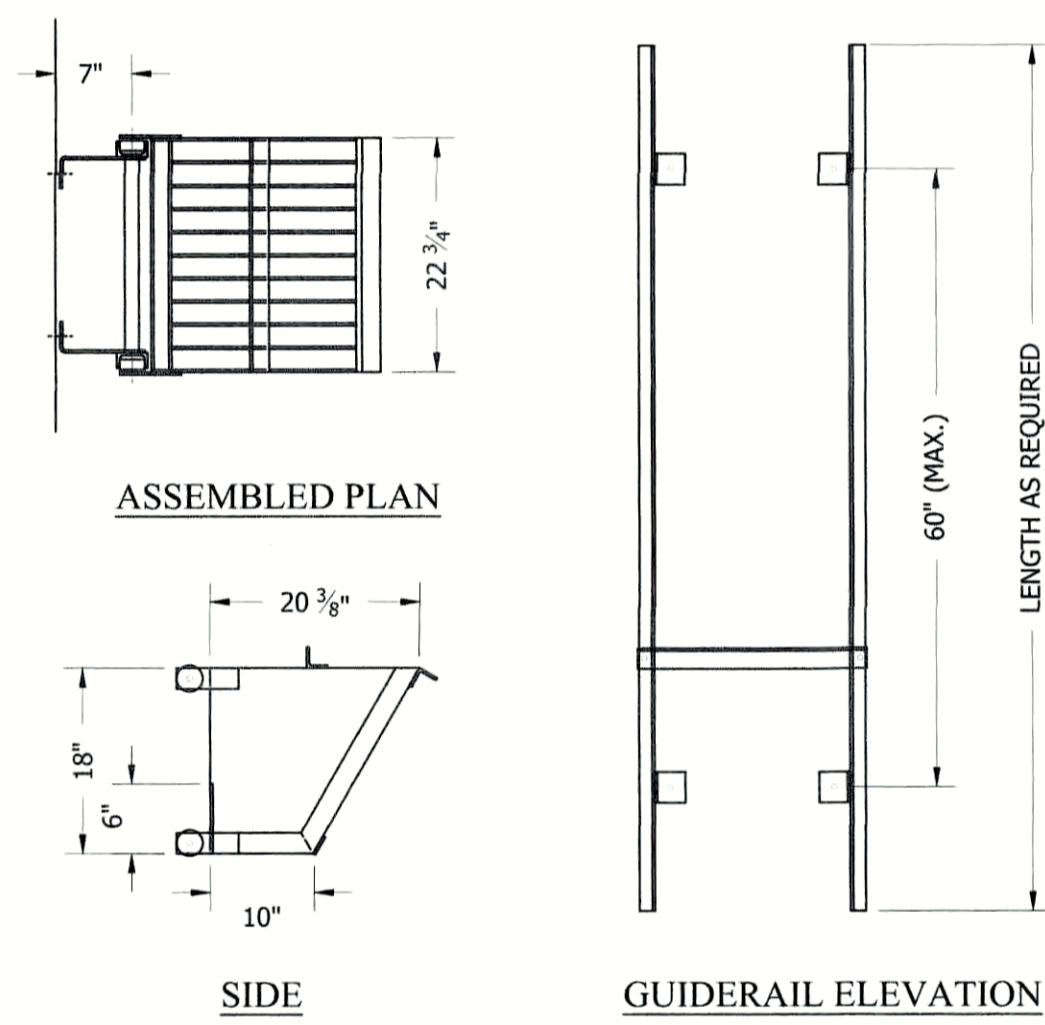


3 TYPICAL CHAIN LINK FENCE
C-04 NOT TO SCALE



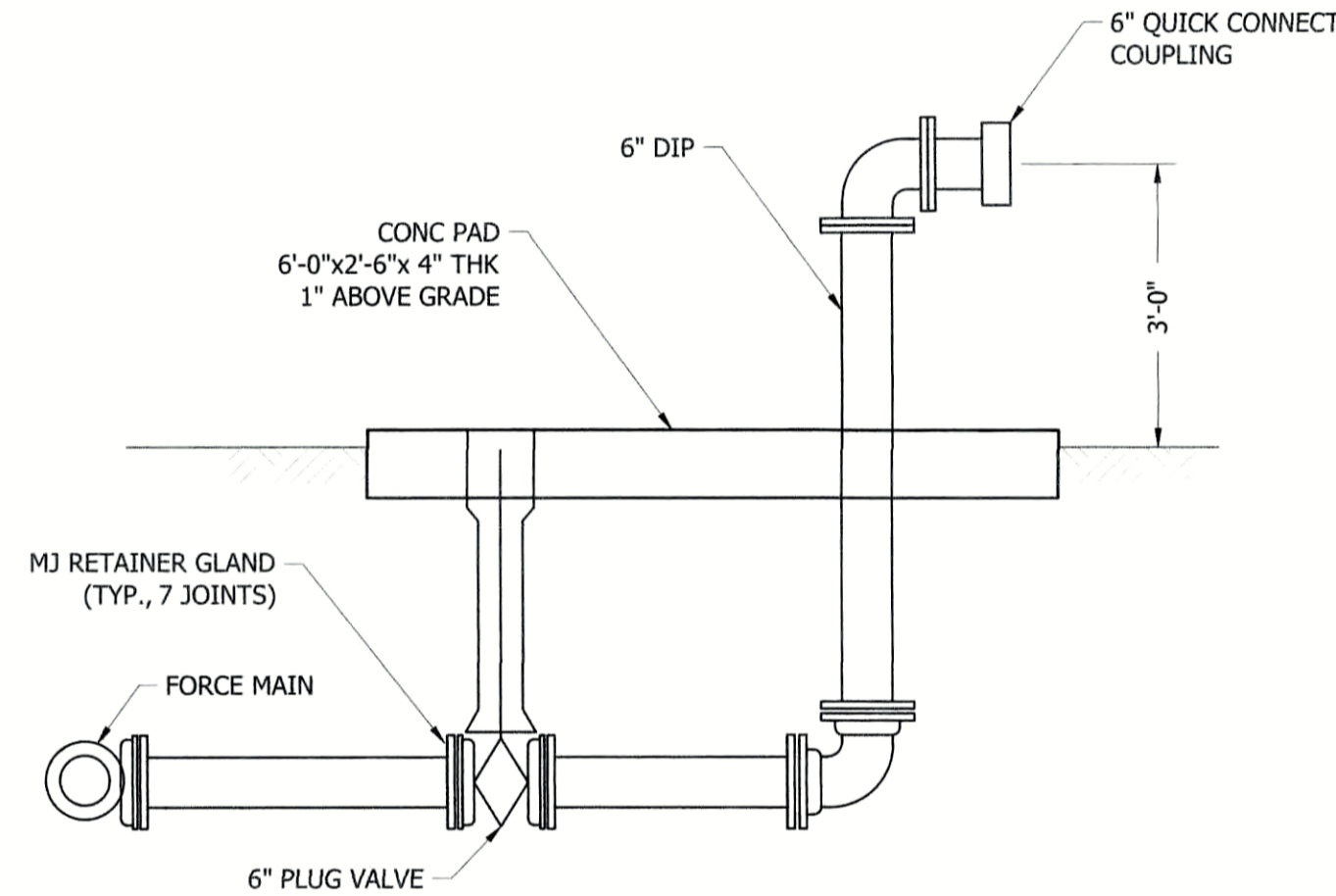
- NOTES:
- THE DEWATERING BAG SHALL BE MADE OF NON-WOVEN GEOTEXTILE WITH A MIN. SURFACE AREA OF 223 SQUARE FEET PER SIDE.
 - ALL STRUCTURAL SEAMS SHALL BE SEWN WITH A DOUBLE STITCH USING A DOUBLE NEEDLE MACHINE WITH HIGH STRENGTH THREAD.
 - THE SEAM STRENGTH SHALL WITHSTAND 100 LB/IN USING ASTM D-4848 TEST METHOD.
 - THE GEOTEXTILE FABRIC SHALL BE A 10 OZ NON-WOVEN FABRIC.
 - DISCHARGE FROM THE DEWATERING BAG SHALL BE DIRECTED SUCH THAT PRE-DISTURBANCE HYDROLOGY IS NOT CHANGED.

8 DEWATERING BAG
C-04 NOT TO SCALE

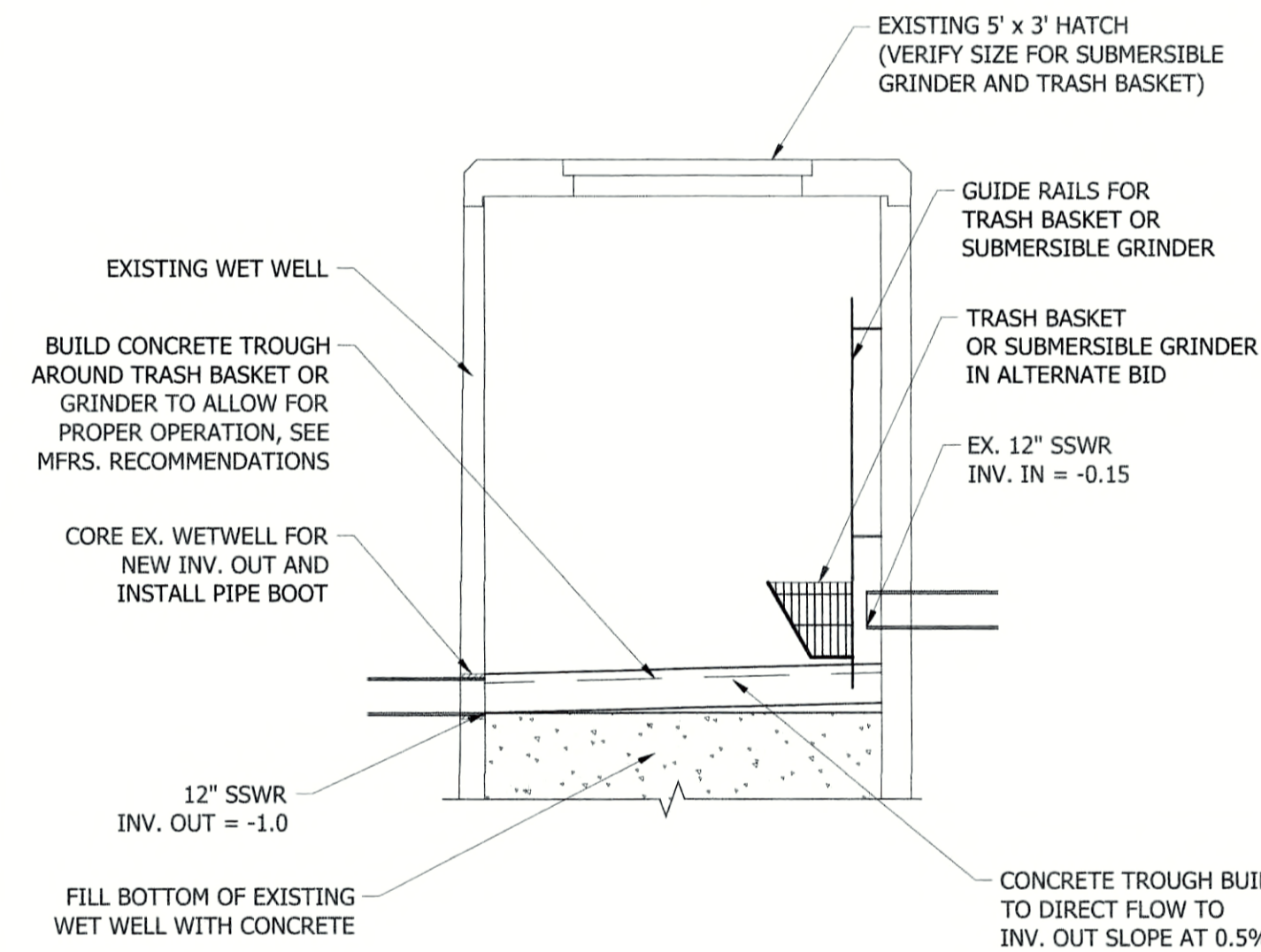


- NOTES:
- BAR SCREEN STYLE BASKET SHALL HAVE 2" CLEAR OPENING BETWEEN 1/4" THICK BARS AND SOLID SIDES.
 - HEAVY DUTY LADDER/GUIDE RAIL SYSTEM SHALL BE OF 3" STRUCTURAL ALUMINUM CHANNEL AND INCORPORATE 1-3/8" DIA. SLIP RESISTANT ALUMINUM RUNGS 12" O.C.
 - BASKET TO HAVE (4) 2.5" SOLID ALUMINUM WHEELS W/ 1/2" STAINLESS STEEL AXLES AND ALUMINUM BASKET STOP

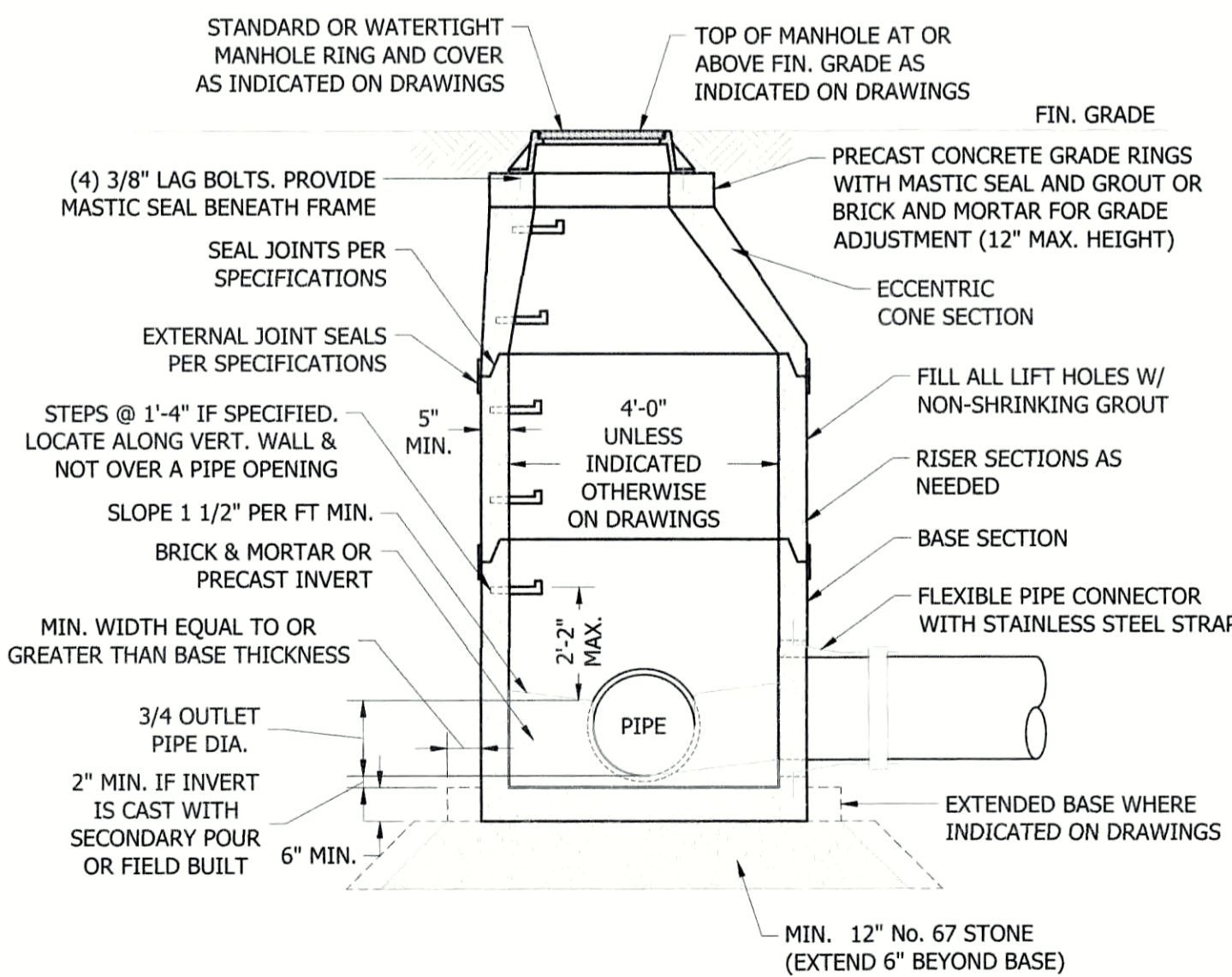
5 TRASH BASKET DETAIL
C-1.01 NOT TO SCALE



6 BYPASS PUMPING CONNECTION
C-1.01 NOT TO SCALE



7 EXISTING WET WELL MODIFICATIONS
C-04 NOT TO SCALE



9 STANDARD PRECAST CONCRETE MANHOLE
C-04 NOT TO SCALE

REVISIONS

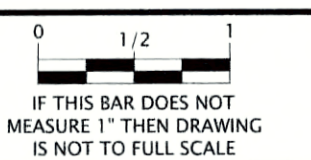
Wooten
1411 Geneva St., Suite 315 • Columbia, SC 29201-2528
(803) 978-2488 • thewootencompany.com
Certificate of Authorization - 5119

CITY OF GEORGETOWN SOUTH CAROLINA
MARVILLE SCHOOL LIFT STATION REPLACEMENT

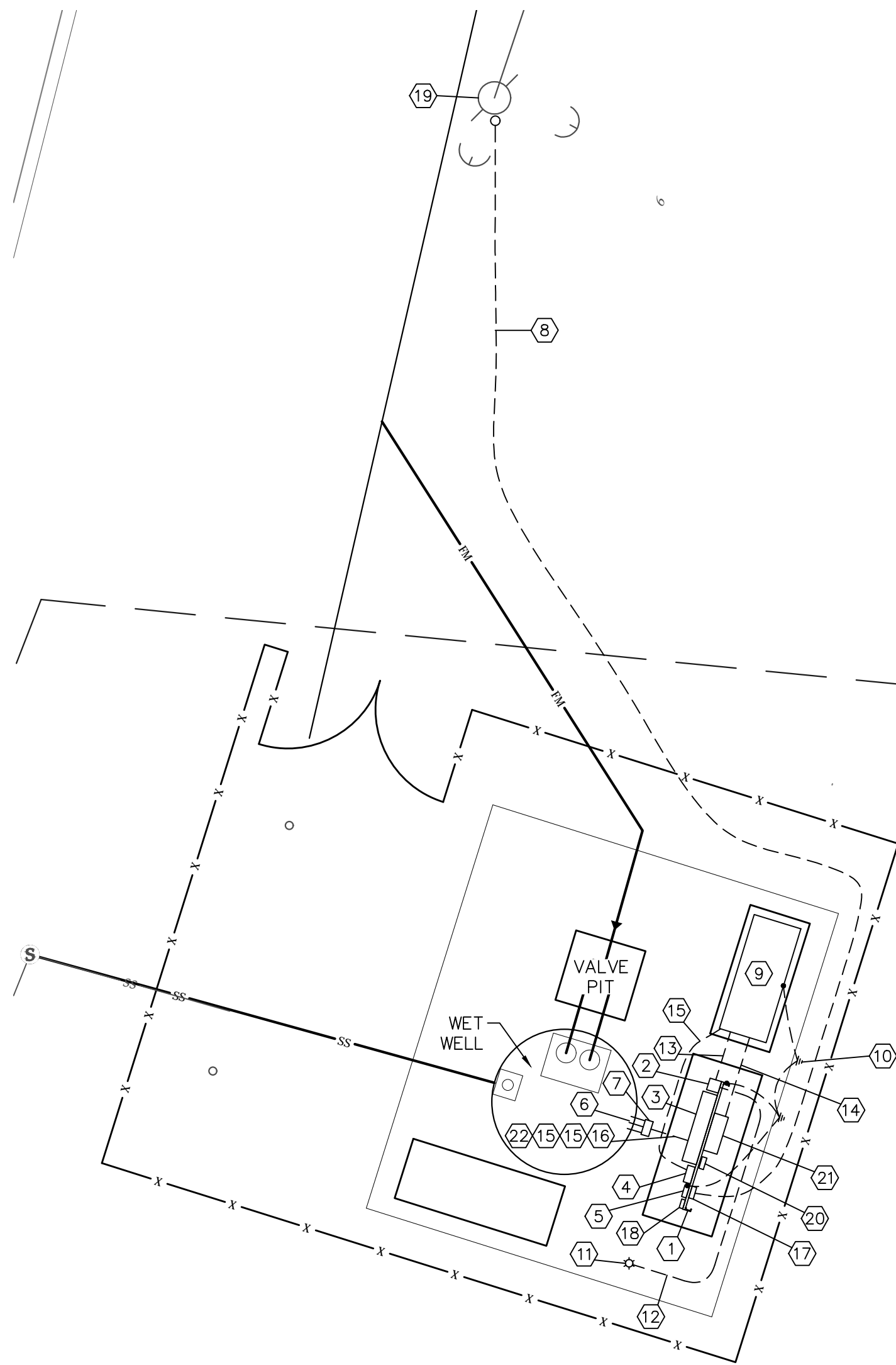
LIFT STATION



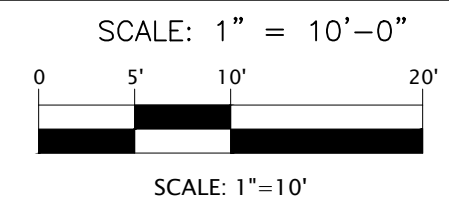
DESIGNED BY: JPM
DRAWN BY: BGF
CHECKED BY: JPM
PROJECT NO.: 3383 - A
DATE: JUNE 30, 2021
SCALE: HORZ.: 1" = 10'



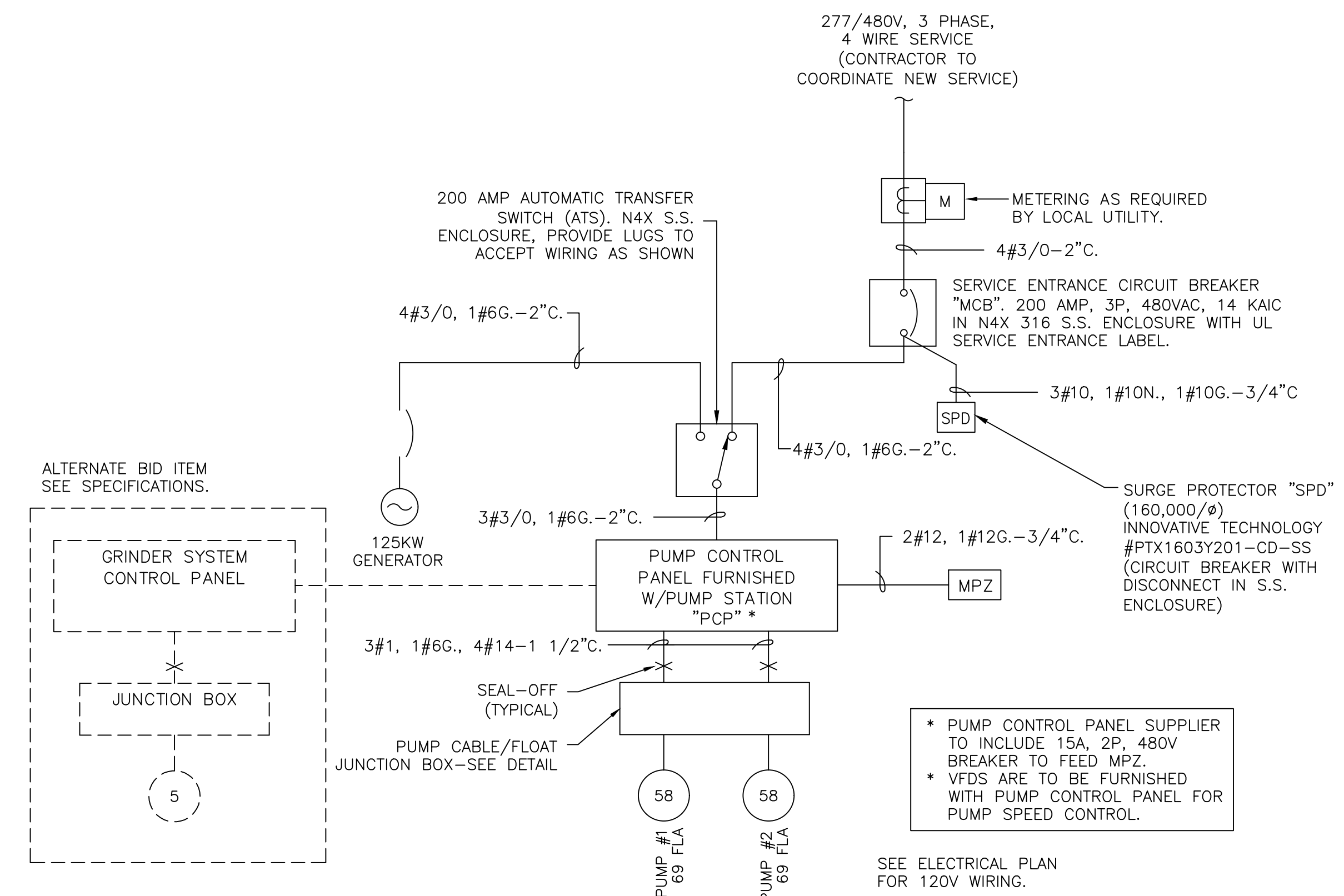
C-04



ELECTRICAL SITE PLAN



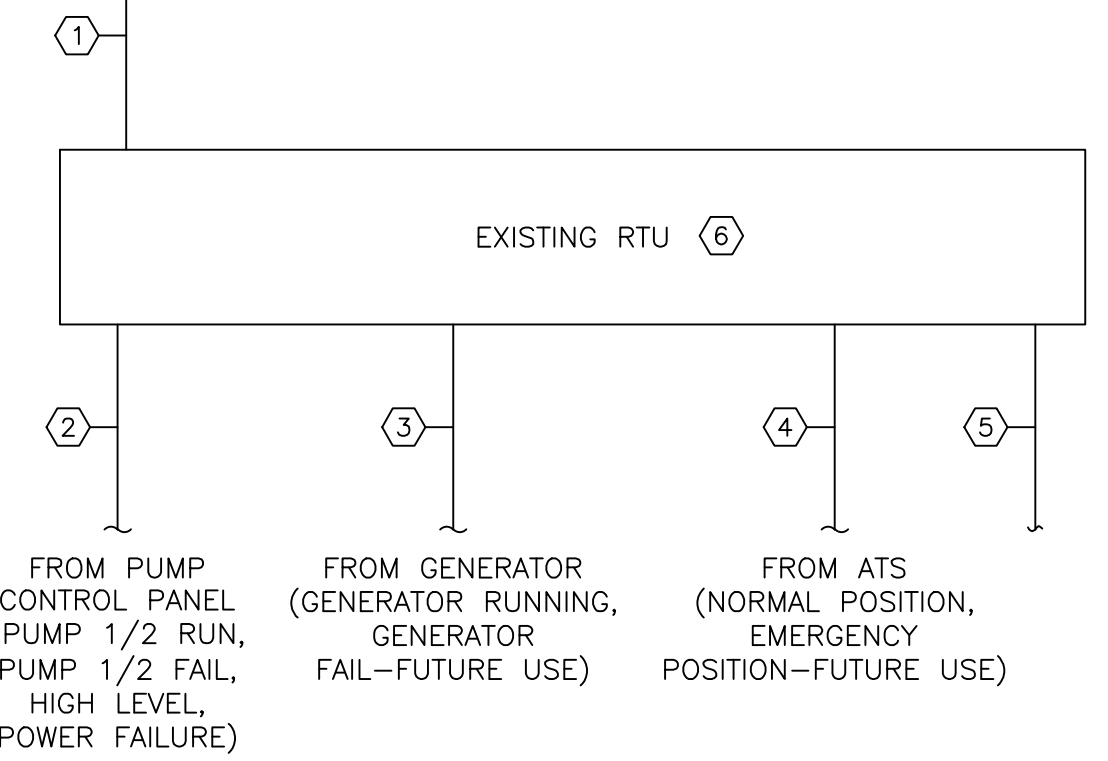
- (X) ELECTRICAL SITE PLAN NOTES:**
- NEW ELECTRICAL EQUIPMENT RACK. SEE ONE-LINE AND RACK DETAIL.
 - MPZ. SEE SCHEDULE.
 - PUMP CONTROL PANEL
 - AUTOMATIC TRANSFER SWITCH
 - MAIN CIRCUIT BREAKER
 - STUB CONDUITS INTO WETWELL AND INSTALL BUSHING.
 - WETWELL JUNCTION BOX. SEE DETAIL THIS SHEET.
 - SECONDARY SERVICE. SEE ONE-LINE DIAGRAM.
 - GENERATOR. CONNECT TO OUTPUT BREAKER, BATTERY CHARGER, BLOCK HEATER AND FOR CONTROL STATUS AND ALARM. VERIFY CONNECTIONS FROM SUPPLIER'S SHOP DRAWINGS. INSTALL ON REINFORCED CONCRETE PAD.
 - BOND TO 2-3/4" X 10" COPPERCLAD GROUND RODS SPACED 10' APART AND WATERLINE (#2 BARE CU. GROUNDING ELECTRODE CONDUCTOR).
 - LED WIDE AREA FLOOD ON 20' TREATED POLE. CREE #E-HL7F07C2Z. PROVIDE MOUNTING BOX.
 - 2#12, 1#12G.-3/4"C.
 - 2#10, 1#10G.-3/4"C. (SHORE POWER. VERIFY REQUIREMENTS)
 - 4#14, 1#14G.-3/4"C. (GENERATOR STATUS, ALARM)
 - 480V WIRING. SEE ONE-LINE DIAGRAM.
 - 8#14, 1#14G.-1"C.
 - METER ON BACK OF RACK.
 - SURGE PROTECTIVE DEVICE.
 - EXISTING TRANSFORMER POLE. EXTEND CONDUIT UP POLE TO HEIGHT AS DIRECTED BY UTILITY. INSTALL WEATHERHEAD AND LEAVE 5' OF CABLE FOR CONNECTION BY UTILITY. COORDINATE TIME OF TRANSFORMER CONNECTION WITH UTILITY.
 - FIBER INTERCONNECT BOX BY OWNER.
 - EXISTING RTU TO BE RE-USED. SEE RISER DIAGRAM.
 - 2/C SH, 1#14G.-3/4"C.



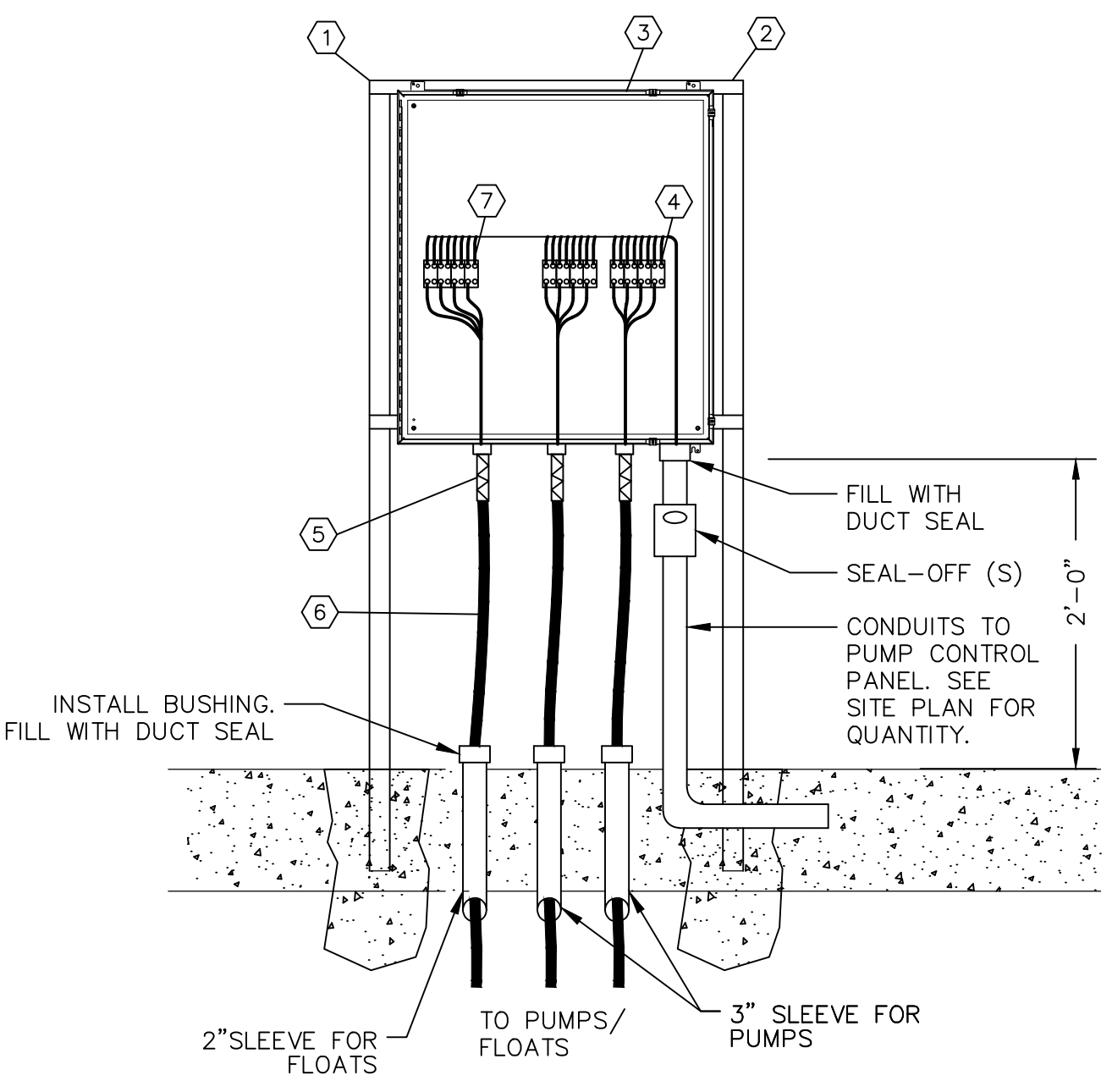
ONE LINE DIAGRAM
NO SCALE

PHASE	MINI POWER ZONE: "MPZ"	BUS: COPPER	5 KVA, 10 TRANSFORMER	PHASE	
"L1"	"L2"	RATING: N3R, STAINLESS	LOCATION: EQUIPMENT RACK	"L1"	"L2"
V.A	V.A	STEEL		V.A	V.A
LOAD					
2400	BLOCK HEATER/ BATTERY CHARGER	1	30	1	2
300	LIGHT	1	20	3	4
	SPARE	1	20	5	6
	SPARE	1	20	7	8
	SPARE	1	20	9	10
2400	TOTAL "L1"		2580		
300	TOTAL "L2"		1500		
		TOTAL LOAD =			
				180	1200

- (X) RTU RISER DIAGRAM NOTES:**
- 2#12, 1#12G.(120VAC FROM MPZ)
 - 10#14, 1#14G.-1"C.
 - 6#14, 1#14G.-3/4"C.
 - 6#14, 1#14G.-3/4"C.
 - 3/4" CONDUIT FOR F/O CABLE FROM FIBER INTERCONNECT BOX. FIBER BY OWNER.
 - CONFIRM INPUTS FROM OWNER. TAPE AND TAG INPUTS NOT USED FOR FUTURE USE.

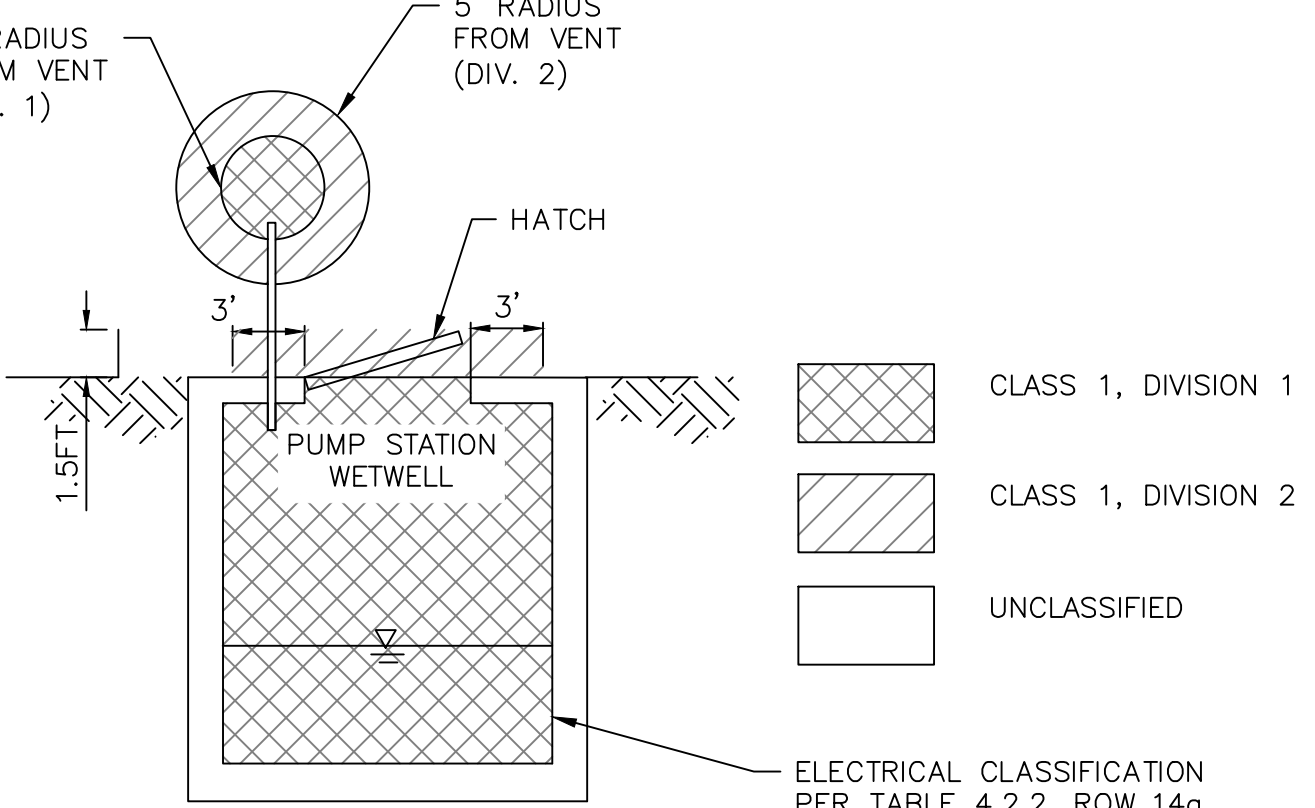


RTU RISER DIAGRAM



JUNCTION BOX DETAIL
NO SCALE

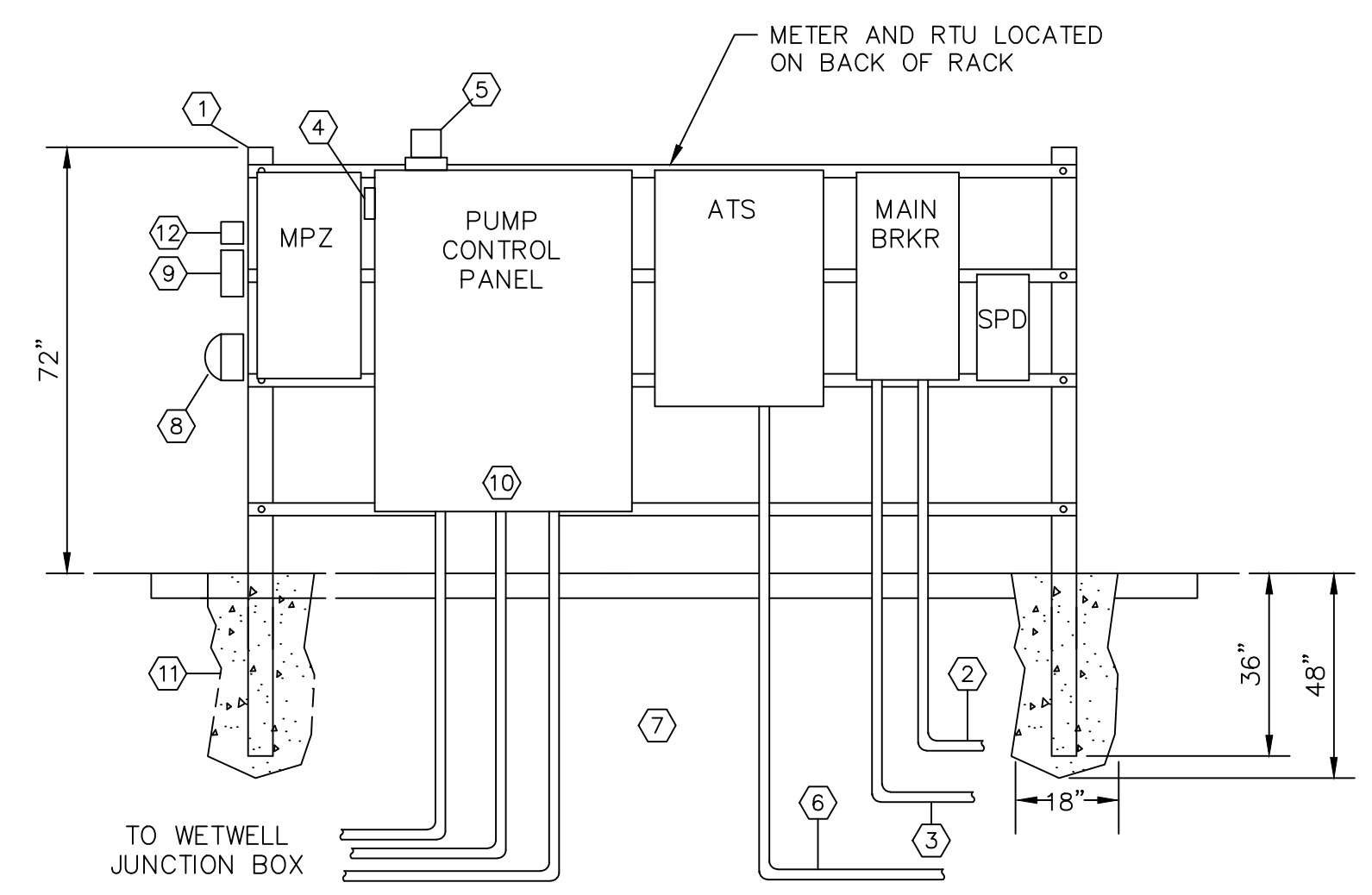
- (X) JUNCTION BOX DETAIL NOTES:**
- 3" X 2" 316 STAINLESS STEEL TUBING. COAT PORTIONS OF RACK IN CONTACT WITH CONCRETE WITH TWO COATS OF BITUMASTIC.
 - 1 1/2" X 1 1/2" STAINLESS STEEL CROSS MEMBERS & SS HARDWARE.
 - PUMP CABLE JUNCTION BOX. 24" X 24" X 8" DEEP NEMA 4X 316 STAINLESS STEEL ENCLOSURE WITH STAINLESS STEEL INNER PANEL.
 - POWER DISTRIBUTION BLOCKS WITH COVERS FOR PUMP CABLES. VERIFY SIZE TO ACCOMMODATE CABLE.
 - CORD CONNECTOR W/STAINLESS STEEL STRAIN RELIEF GRIP (TYPICAL EACH CABLE). PROVIDE ADDITIONAL GRIPS WHERE MOTOR MONITORING LEADS ARE FURNISHED IN SEPARATE CABLE.
 - CABLE FURNISHED WITH EQUIPMENT. (TYPICAL)
 - TERMINAL BLOCKS FOR FLOATS. PROVIDE 6 SPARE TERMINALS. PROVIDE 6" SEPARATION BETWEEN POWER AND FLOAT CABLES.



AREA CLASSIFICATIONS

(X) EQUIPMENT RACK DETAIL NOTES:

- 4"x4"x1/4" 316 STAINLESS STEEL TUBING WITH END CAP AND 1 1/2" X 1 1/2" S.S. CROSS MEMBERS. COAT PORTIONS IN CONTACT WITH CONCRETE WITH 2 COATS OF BITUMASTIC.
- 1" SCH. 80 PVC WITH #2 BARE COPPER GROUNDING ELECTRODE CONDUCTOR TO GROUNDING ELECTRODES.
- UNDERGROUND SERVICE FROM METER POLE.
- ALARM HORN FURNISHED WITH CONTROL PANEL.
- ALARM LIGHT FURNISHED WITH CONTROL PANEL.
- TO GENERATOR.
- SEE ONE-LINE FOR ADDITIONAL REQUIREMENTS.
- 20A WEATHERPROOF "WHILE IN USE" GFI RECEPTACLE.
- 20A WEATHERPROOF LIGHT SWITCH.
- SEAL CONDUITS FROM WETWELL WITH DUCT SEAL.
- ENCASE IN CONCRETE.
- DUSK TO DAWN PHOTOCELL, DIE-CAST TORK #2115 OR EQUAL.



EQUIPMENT RACK DETAIL
NO SCALE

REVISIONS
 SOUTH CAROLINA
 CITY OF GEORGETOWN
 MARYVILLE SCHOOL LIFT STATION
 LIFT STATION ELECTRICAL PLAN
 THE WOOTEN COMPANY
 1830 Marion St., Suite A, Columbia, SC 29201-2528
 803.978.2488
 Certificate of Authorization: 5119
 SOUTH CAROLINA
 CERTIFICATE OF AUTHORIZATION
 HOWARD ENGINEERING
 No. 001366
 SOUTH CAROLINA
 REGISTERED PROFESSIONAL ENGINEER
 No. 16565
 DESIGNED BY: STS
 DRAWN BY: HWH
 CHECKED BY: ATH
 PROJECT NO.: 3383 - A
 DATE: JUNE 2021
 SCALE: HORZ.: 1" = 10'
 E-01