

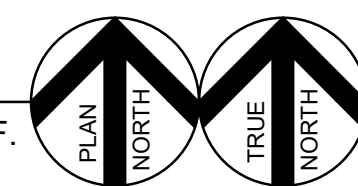
THIS DRAWING AS PREPARED BY CARROLLTON ARCHITECTS SHALL BE USED FOR THE SPECIFIC IDENTIFIED PROJECT ONLY THIS DRAWING IS THE PROPERTY OF CARROLLTON ARCHITECTS AND SHALL BE RETURNED PER THEIR REQUEST



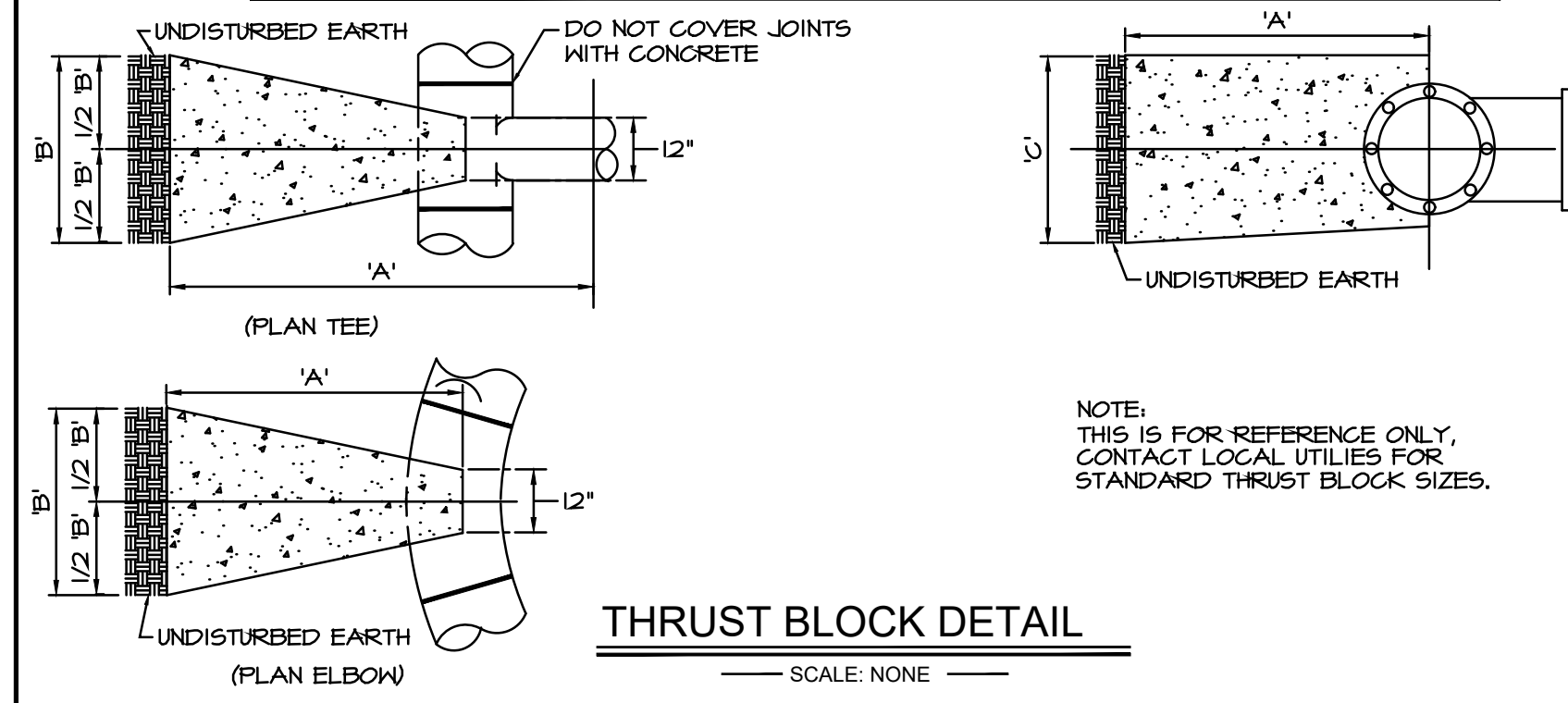
SPRINKLER SITE PLAN

SCALE: 1" = 20'-0"

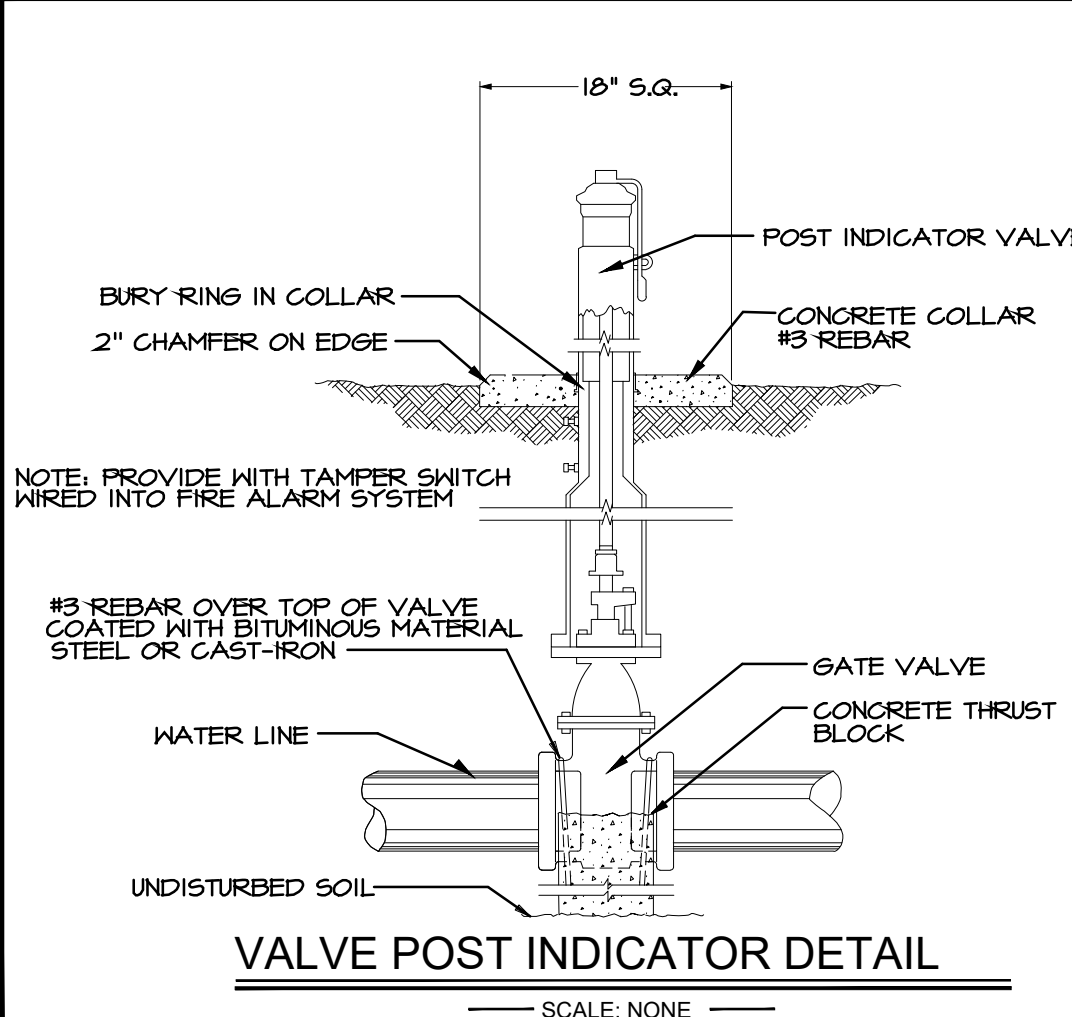
3,843 S.F.



PIPE DIA.	90° BEND			45° BEND			22 1/2° BEND			11 1/4° BEND			TEE & FLUG		
	A	B	C	A	B	C	A	B	C	A	B	C	A	B	C
1'-0"	2'-6"	1'-6"	1'-0"	2'-0"	1'-0"	1'-0"	1'-6"	1'-0"	1'-0"	1'-6"	1'-0"	1'-0"	2'-4"	1'-3"	
1'-0"	2'-4"	2'-0"	1'-0"	2'-6"	1'-3"	1'-0"	1'-6"	1'-0"	1'-0"	1'-6"	1'-0"	1'-0"	2'-6"	1'-6"	
1'-0"	4'-0"	2'-0"	1'-0"	3'-0"	1'-6"	1'-0"	2'-0"	1'-6"	1'-0"	1'-6"	1'-0"	1'-0"	3'-0"	1'-4"	
1'-0"	3'-6"	3'-0"	1'-0"	3'-4"	2'-0"	1'-0"	2'-4"	1'-6"	1'-0"	1'-6"	1'-0"	1'-0"	4'-0"	2'-6"	

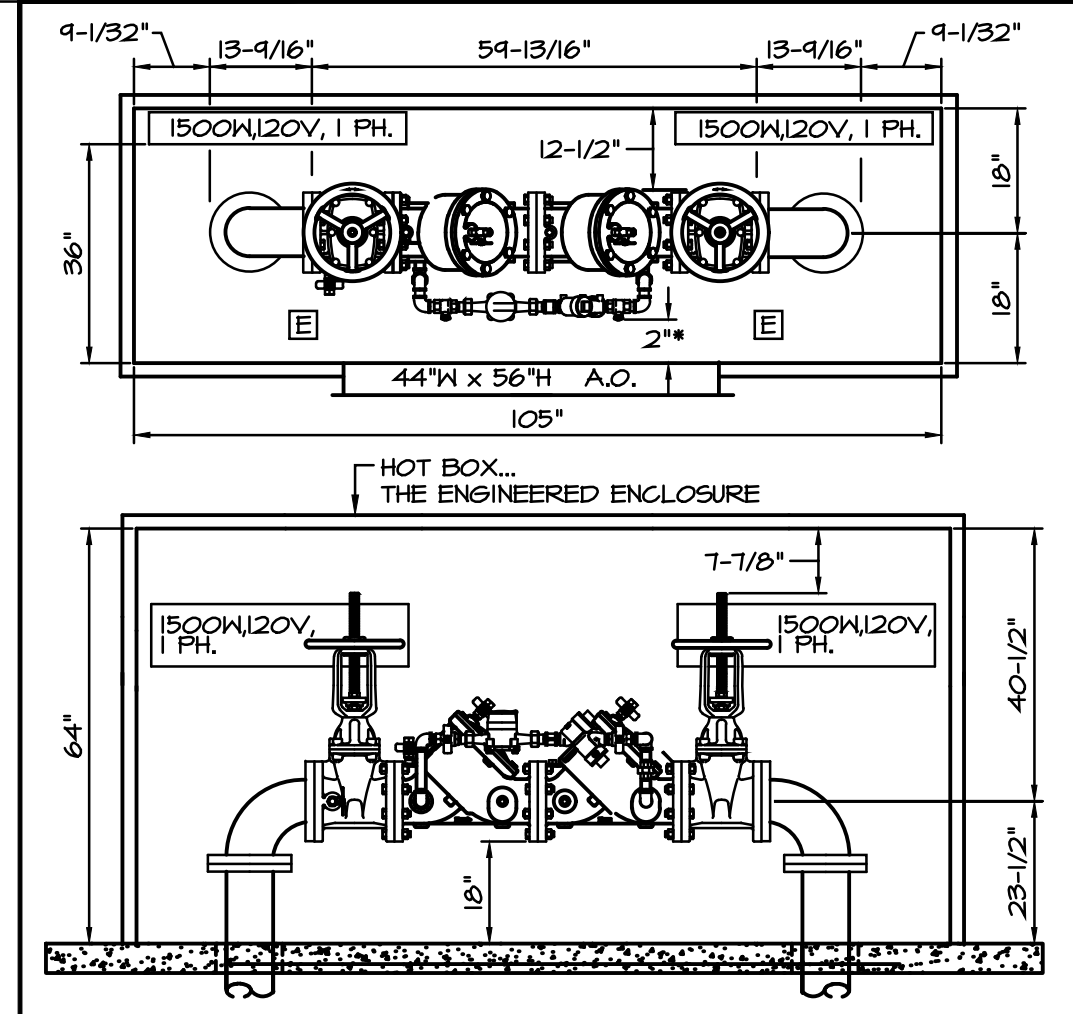


THRUST BLOCK DETAIL
SCALE: NONE



VALVE POST INDICATOR DETAIL
SCALE: NONE

- MATERIALS**
- 1. GENERAL**
- Scope: Furnish all labor, materials and equipment necessary for the installation of all plumbing work required on the drawings and as specified herein.
 - Work Required: In general, the work consists of, but is not limited to, the following:
 - Domestic Water System connecting to existing utility
 - Sanitary Sewer System connecting to existing utility
 - Permits, Ordinances, and Inspections:
 - Obtain and pay for all permits and inspection fees required. Deliver to architect certificates of inspections issued by the authorities.
 - All work shall be done in accordance with all applicable City, County, State, or National Ordinances and Codes. Effort has been made to meet or exceed requirements. The Contractor shall make any minor adjustments to meet these requirements at no additional cost to the Owner.
 - Instructions and Instruction Booklets: The Contractor shall instruct the Owner's representative in the proper operation of all equipment. Furnish literature provided by the manufacturer. Printed instructions and maintenance data shall be bound with cover in duplicate and delivered to the Architect.
- 2. BASIC PIPES AND PIPE FITTINGS:**
- A. GENERAL: PROVIDE PIPES AND PIPE FITTINGS COMPLYING WITH DIVISION-15 "PIPES AND PIPE FITTINGS", IN ACCORDANCE WITH THE FOLLOWING LISTING:**
- EXTERIOR FIRE LINE PIPING:
 - DUCTILE IRON CLASS 350, AS ALLOWED BY LOCAL UTILITY.



HOT BOX 6" FEBCO
808YD (805YD) - OS&Y
SCALE: NONE

(STANDARD #H6E ENCLOSURE - 2 SECTION ALUMINUM)

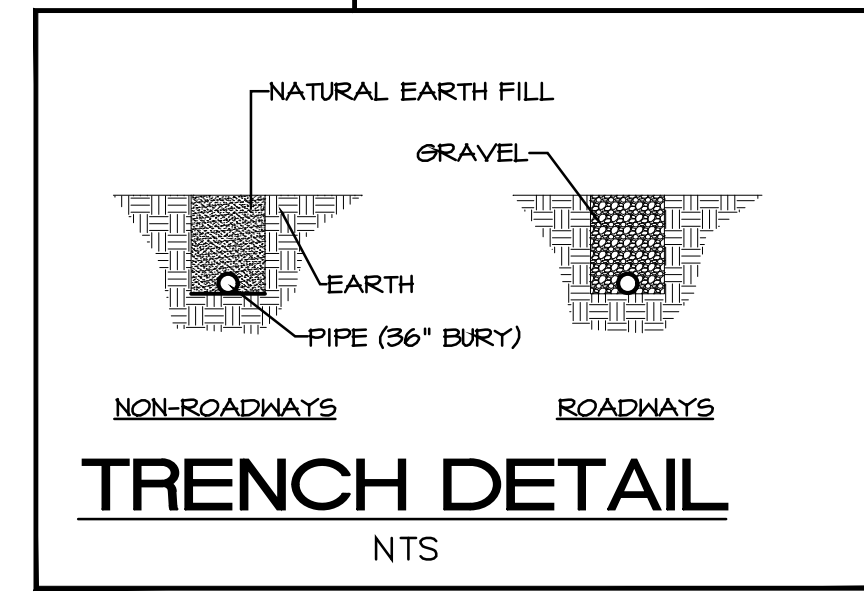
NOTES:

- ALL DIMENSIONS ARE APPROXIMATED IN INCHES.
- RECOMMENDED SLAB SIZE: 11'1" x 48'1" x 4" MINIMUM THICKNESS.
- "E" INDICATES THE ELECTRICAL RECEPTACLE. IT SHALL BE MOUNTED A MINIMUM OF 30" ABOVE THE SLAB.
- "A.O." INDICATES THE SIZE AND GENERAL LOCATION OF THE ACCESS OPENING.
- (*) THIS DIMENSION CHANGES TO 4 3/4" WHEN THE 805YD IS INSTALLED.
- NEW YORK INSTALLATION: ADJUST THE CENTERLINE HEIGHT TO 30".
- UNIT IS A LB6E WHEN INSTALLED WITHOUT A HEATERS.

POINT OF CONNECTION
 ⊗ = POINT OF CONNECTION FOR NEW PIPING. CONNECT NEW PIPING TO EXISTING PIPING. VERIFY EXACT SIZE, DISTANCE, LOCATION & DEPTH IN FIELD BEFORE STARTING WORK.

SITE LEGEND

⊗	POST INDICATOR VALVE
▲	THRUST BLOCK
⊕	FIRE HYDRANT



TRENCH DETAIL
NTS

THE DESIGN PROFESSIONAL WAIVES ANY AND ALL RESPONSIBILITY AND LIABILITY FOR PROBLEMS WHICH ARISE FROM FAILURE TO FOLLOW THESE PLANS, SPECIFICATIONS AND THE DESIGN INTENT THEY CONVEY, OR PROBLEMS WHICH ARISE FROM OWNER'S FAILURE TO OBTAIN AND/OR FOLLOW THE DESIGN PROFESSIONAL'S GUIDANCE WITH RESPECT TO ANY ERRORS, OMISSIONS, INCONSISTENCIES, AMBIGUITIES OR CONFLICTS WHICH ARE ALLEGED. THE DRAWINGS ARE GENERALLY QUANTITATIVE IN NATURE. THIS DRAWING AND ITS CONTENTS AND DESIGN ARE THE PROPERTY OF KELSO-REGEN ASSOCIATES, INC. CONSULTING ENGINEERS, KNOXVILLE, TN. NOTICE IS HEREBY GIVEN THAT UNLESS AN ORIGINAL STATE SEAL AND ORIGINAL SIGNATURE AND DATE ARE AFFIXED TO THIS DRAWING, THIS DRAWING SHALL BE DEEMED NOT FOR CONSTRUCTION. INFORMATION ONLY. ONLY WHEN AN ORIGINAL STATE SEAL AND ORIGINAL SIGNATURE AND DATE ARE AFFIXED WILL THIS DRAWING BE FOR CONSTRUCTION.

KRA NO: 19002
 CEA No. 10064440
 DRAWN BY: DG
 APPROVED BY: JGC

KELSO-REGEN ASSOCIATES, INC.
 Consulting Engineers
 Engineering Analysis
 Energy Management

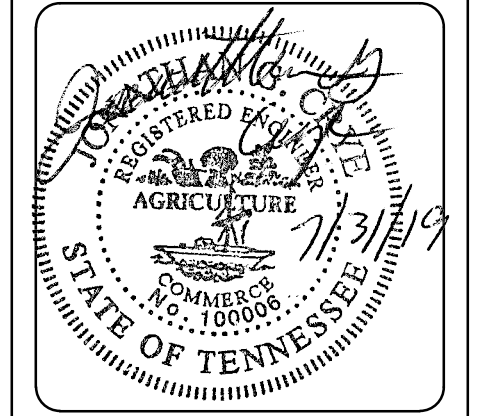
201 Sherlake Lane, Suite 101
 Knoxville, TN 37922
 www.kelso-regen.com
 P-865-598-5348 F-865-247-0293

no.	date	revision	by

Building Renovations for:
Bonnie Kate Theatre
 Elizabethton, Tennessee

Architectural Services
Cain Rash West Architects

130 Regional Park Dr.
 Kingsport, TN 37660
 Phn (423) 349-7760
 Fax (423) 349-7413
 www.grcinc.com



issued	00-00-00
checked	JGC
approved	JGC
drawn	DG
project no.	00-00
drawing name	SPRINKLER SITE PLAN

FP-10

printed: 7/31/2019 7:50:25 AM file: 19052_SPRINKLER_SITE.DWG