

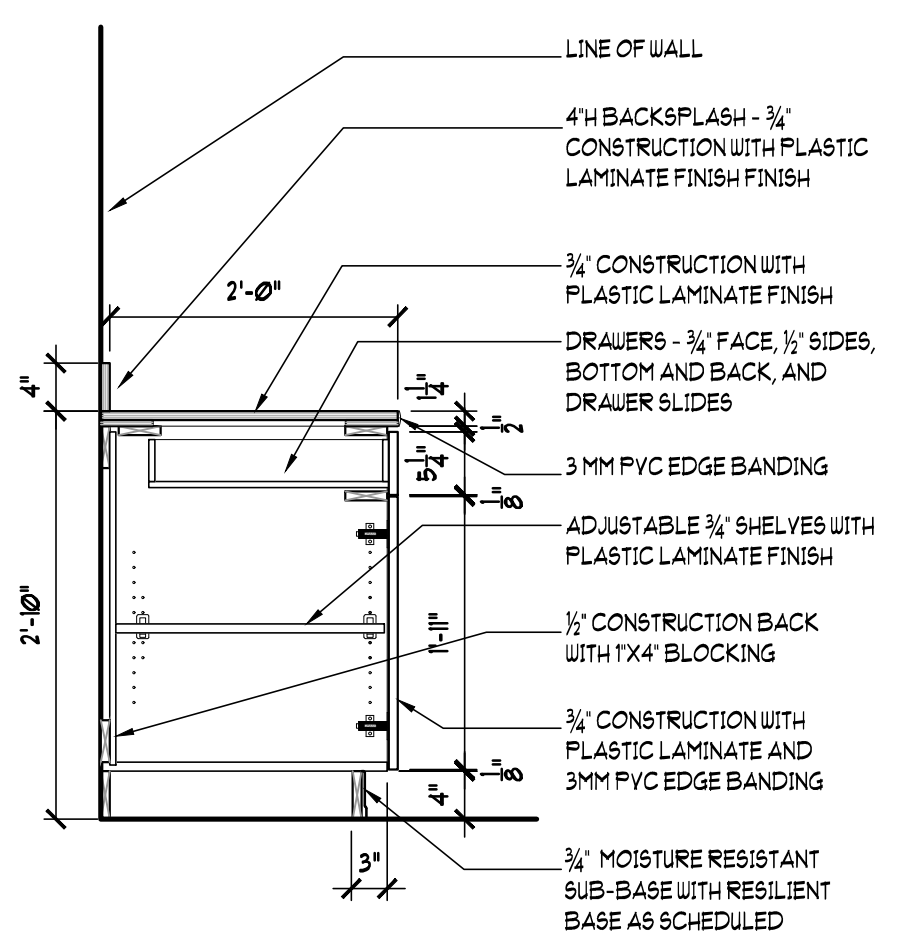
- ### EQUIPMENT LEGEND
- 1 INTERACTIVE MONITOR MOUNT (OFOU)
 - 2 6 FT X 4 FT MARKER BOARD (CFCD)
 - 3 4 FT X 4 FT TACKBOARD (CFCD)
 - 4 EDUCATION CELL (OFOU)
 - 5 VR 360 EDUCATION CELL (OFOU)
 - 6 5 FT X 5 FT WELDING BOOTH (OFOU)
 - 7 6 FT X 10 FT WELDING BOOTH (OFOU)
 - 8 PIPE PROFILER AND HOOD (OFOU)
 - 9 TABLE (OFOU)
 - 10 PLASMA TABLE (OFOU)
 - 11 3 FT X 3 FT GRINDING STATION (OFOU)
 - 12 HORIZONTAL BAND SAW (OFOU)
 - 13 FIRE BLANKET AND CABINET (CFCD)

- ### LEGEND
- NEW WALL
 - SMOKE PARTITION
 - NEW DOOR
 - FURNISHINGS BY OWNER (FOR REFERENCE ONLY)
 - OFFICE 102 100 SF.
 - ROOM NAME, NUMBER, AND AREA (S.F.)
 - DOOR SYMBOL
 - WINDOW SYMBOL
 - EQUIPMENT FLAG
 - PARTITION TYPE
 - TOILET ACCESSORY NUMBER
 - STRUCTURAL GRID AND COLUMN TAG
 - BUILDING SECTION TAG INDICATES DIRECTION, SECTION LTR. AND SHEET NO. CUT & DRAWN
 - WALL SECTION TAG INDICATES DIRECTION, SECTION NO. AND SHEET NO. CUT & DRAWN
 - ELEVATION TAG INDICATES DIRECTION, ELEV. NO. AND SHEET NO. CUT & DRAWN
 - DETAIL MARKER INDICATES DETAIL NO. AND SHEET NO. CUT & DRAWN

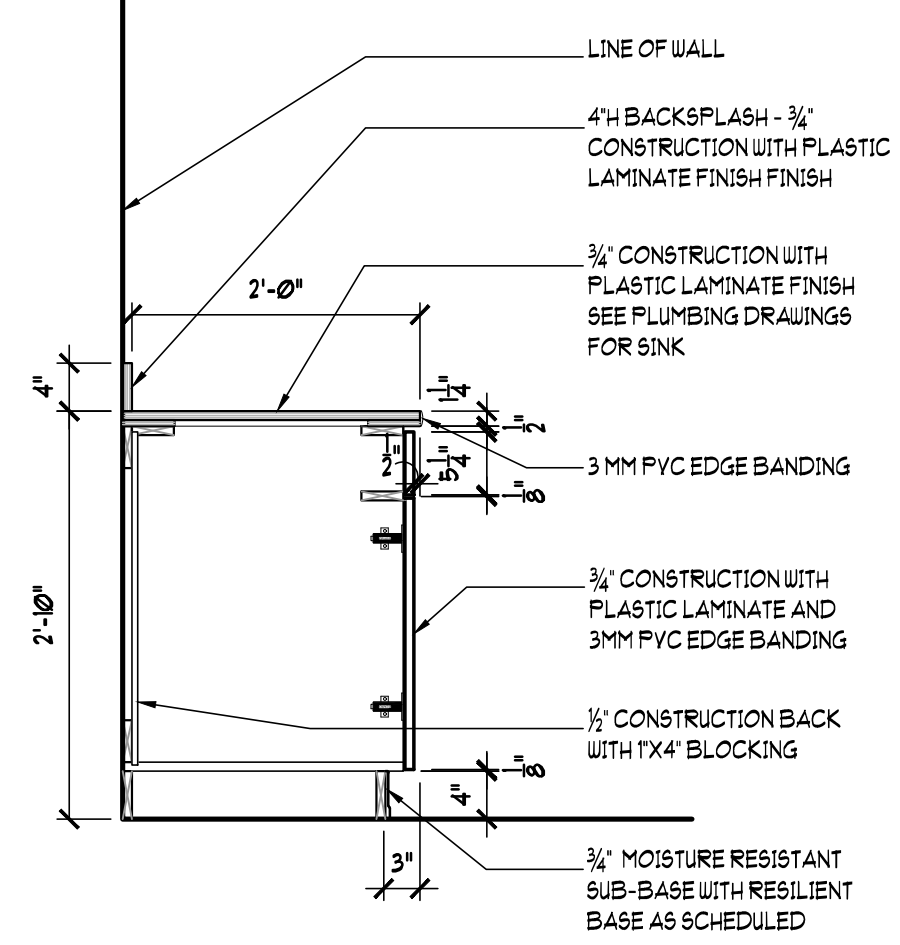
FRANKLIN COUNTY SCHOOL BOARD
FRANKLIN COUNTY K-12 NEW WELDING LAB
PHASE II
EASTPOINT, FL

Clemons, Rutherford & Associates Inc.
 Architects
 Planners
 Interior Designers
 Construction Managers
 2027 Thomasville Road
 Tallahassee, Florida 32308
 (850) 385-6153
 Fax (850) 386-8420
 e-mail cra@craarchitects.com
 Website www.craarchitects.com

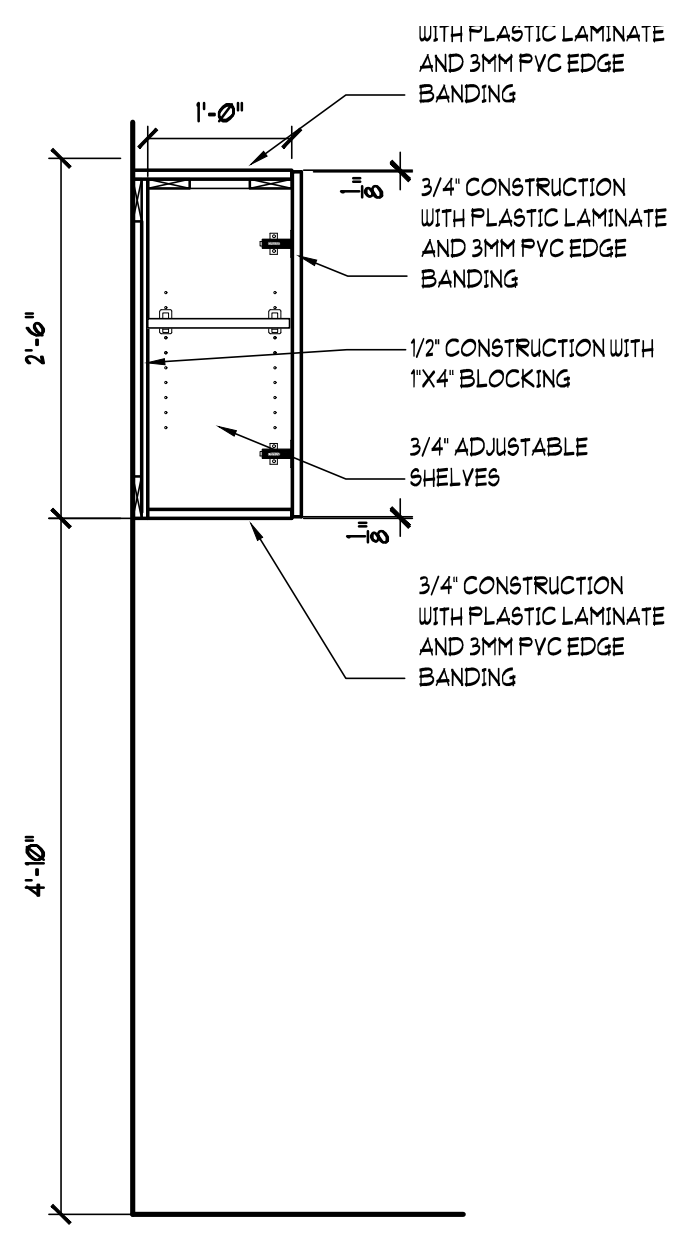
WELDING LAB - FLOOR PLAN
 SCALE: 1/8"=1'-0"
 4,830 S.F.



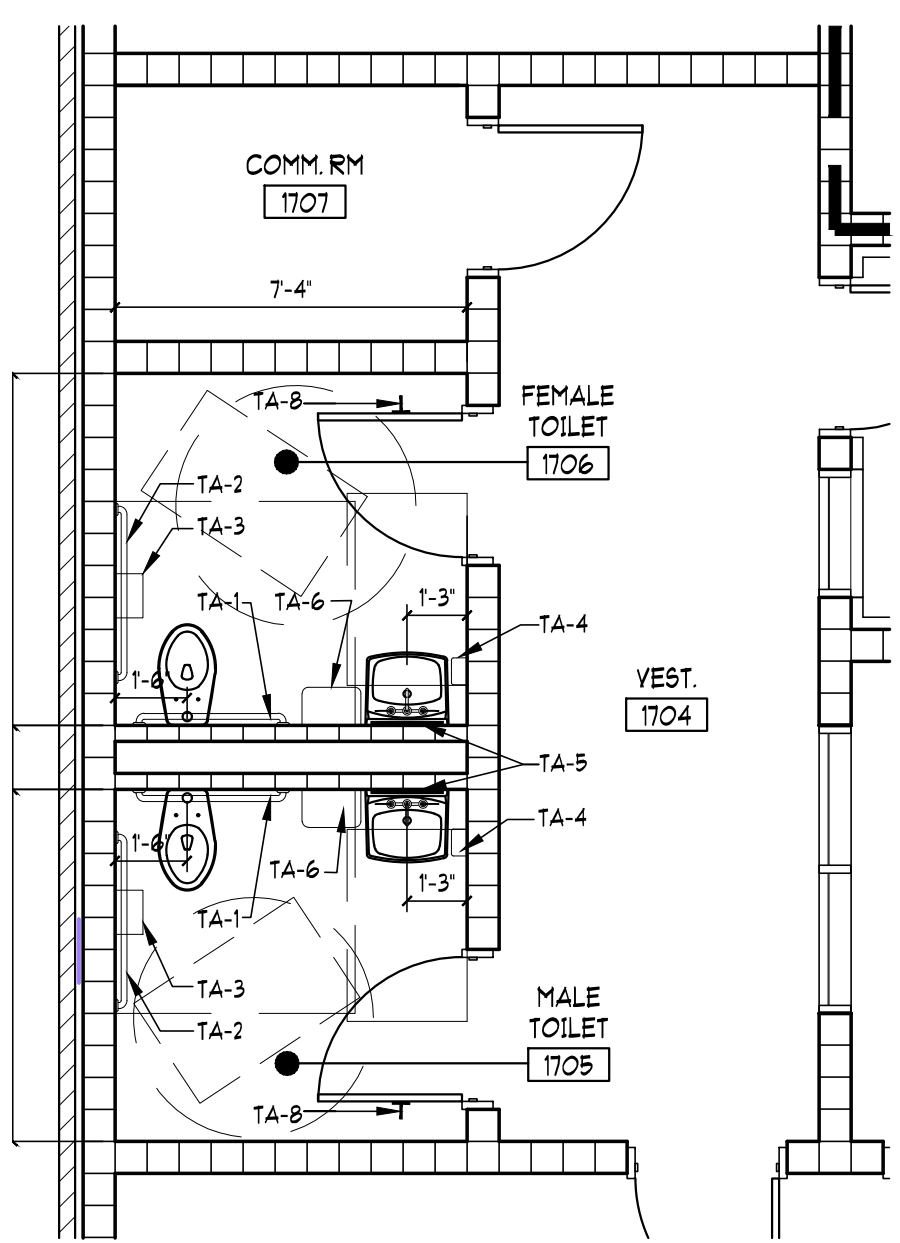
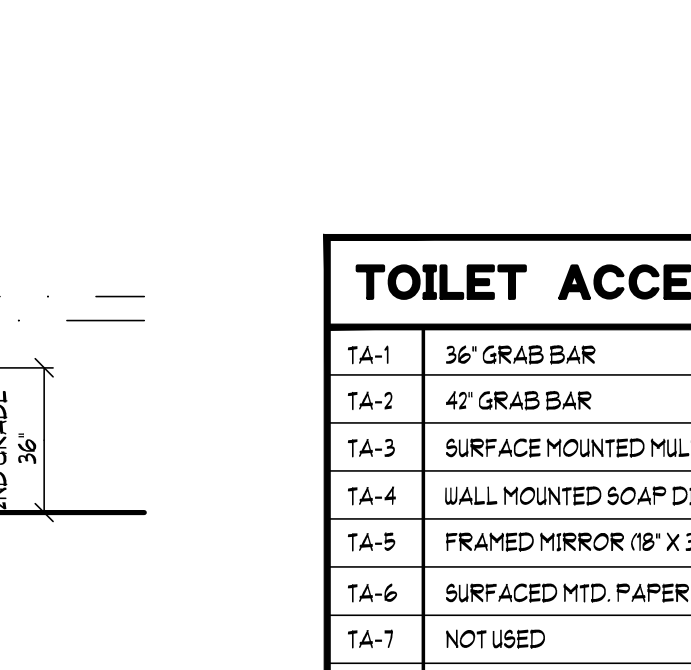
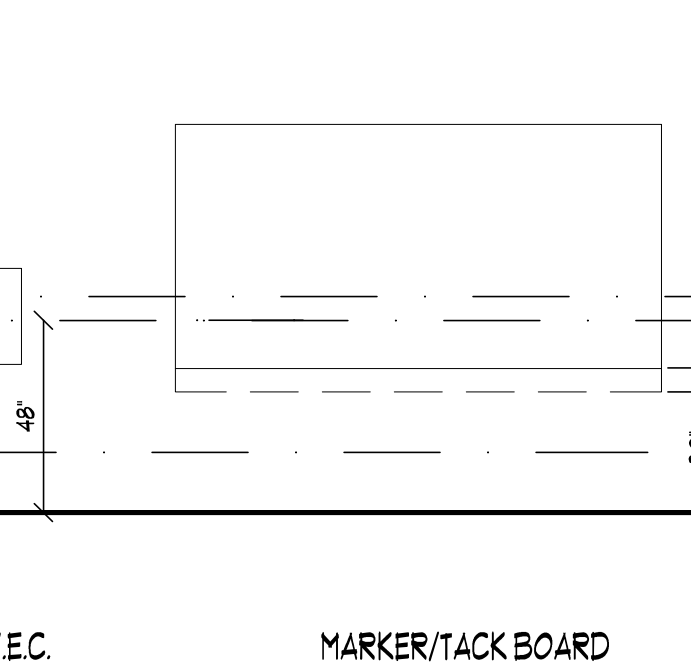
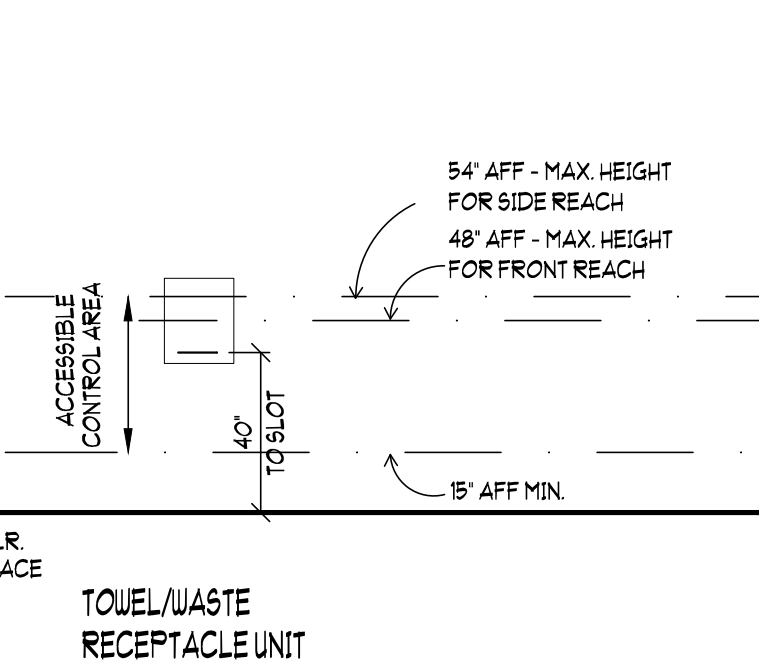
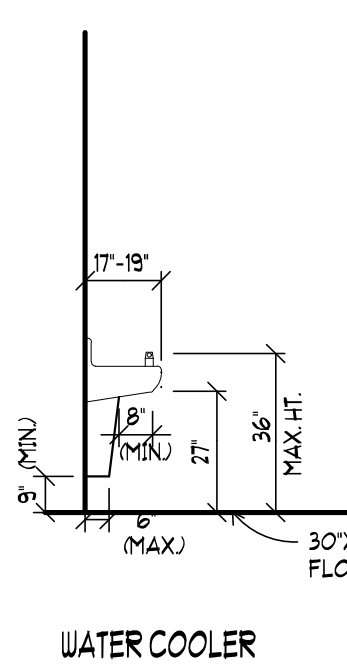
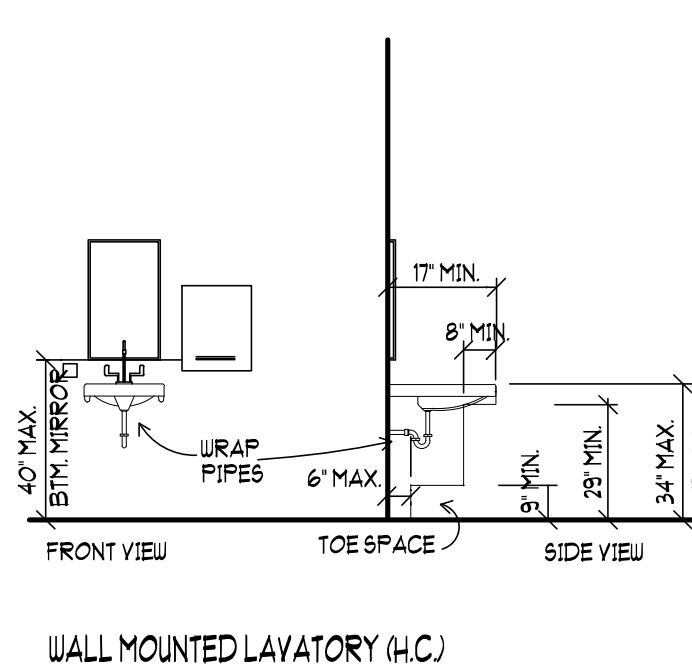
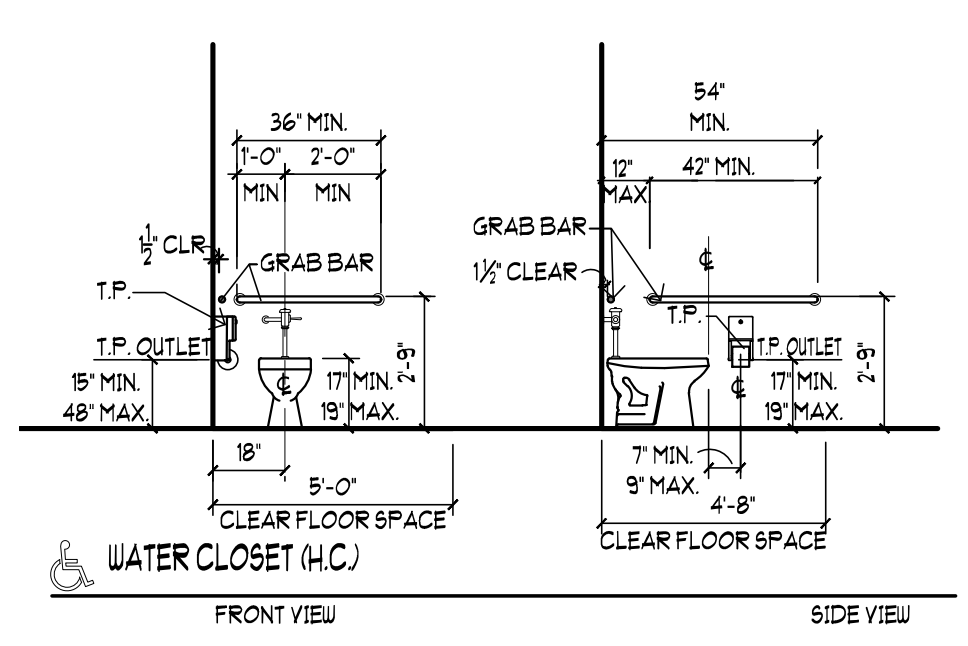
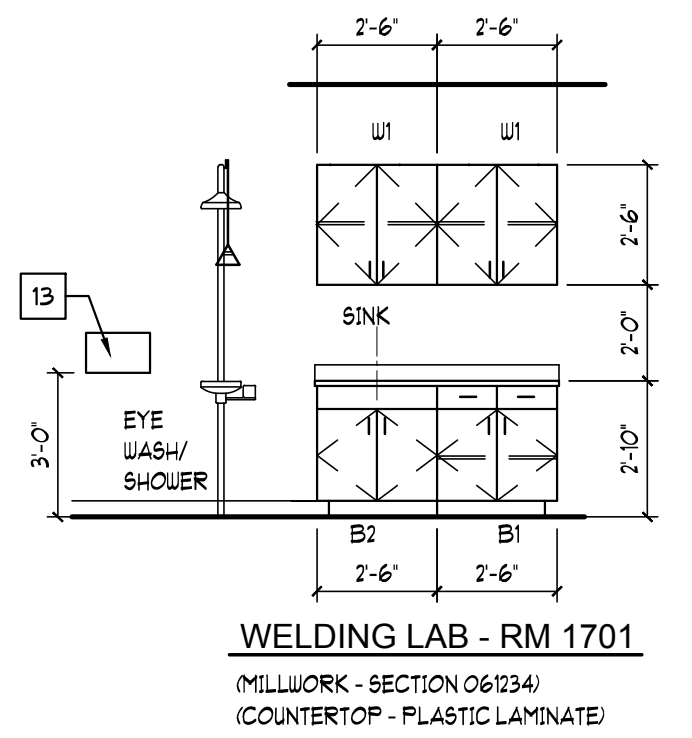
B1 BASE CABINET SECTION
 A1.1 SCALE: 3/4"=1'-0"



B2 BASE CABINET SECTION
 A1.1 SCALE: 3/4"=1'-0"



W1 CABINET SECTION
 A2.1 SCALE: 3/4"=1'-0"



1 TOILET PLAN
 A1.1 SCALE: 1/4"=1'-0"

TA-1	36" GRAB BAR
TA-2	42" GRAB BAR
TA-3	SURFACE MOUNTED MULTI-ROLL TOILET TISSUE DISPENSER
TA-4	WALL MOUNTED SOAP DISPENSER
TA-5	FRAMED MIRROR (18" X 36")
TA-6	SURFACED MTD. PAPER TOWEL DISPENSER
TA-7	NOT USED
TA-8	HOOK & DOOR STOP

The drawings, specifications and other documents prepared by Clemons, Rutherford & Associates, Inc. (CRA) for this Project are intended to be used by the contractor in accordance with the contract documents. CRA shall not be responsible for any errors or omissions in these documents and shall not be liable for any damages, including consequential damages, arising from the use of these documents. The contractor shall be responsible for obtaining all necessary permits and for obtaining all necessary approvals from the appropriate authorities. The contractor shall be responsible for obtaining all necessary approvals from the appropriate authorities. The contractor shall be responsible for obtaining all necessary approvals from the appropriate authorities.

PHASE	DATE	DRAWN	CHECK
30% CD'S	2/7/20	R. SHAH	G. KELLEY
100% CD'S	4/16/20	R. SHAH	M. LINDSEY

#	DATE	COMMENTS

PROJ. NO. 20012
PHASE: CONSTRUCTION DOCUMENTS
 SHEET TITLE: WELDING LAB FLOOR PLAN, ENLARGED T.L. PLAN, MILLWORK ELEV. & DETAILS
A1.1 of .