

Request for Quotes

This is not a sealed bid. Quotes can be emailed or faxed to the Office of the Purchasing Division.

See instructions below.

The City of Knoxville requests your delivered price for Traffic Signal Cable to 1025 Elm St., Knoxville, TN 37921 per attached specifications;

Specifications:

The City of Knoxville is seeking to purchase: Traffic Signal Cable that the City would purchase on an as-needed basis. Bidders should indicate on the bid form if they are willing to enter into a fixed price agreement. If agreed, the fixed price agreement shall be for six (6) months with three (3) optional six-month renewals, subject to agreement of both parties. There is no guarantee of future purchases.

An award **does not** guarantee a vendor will receive an order during the term of this contract or that the awarded items will be requested by the department. The City may purchase all, some, or none of the items contained in this request for quotes. **NO SPECIFIC QUANTITY IS GUARANTEED.**

Estimated Quantities:

For the purposes of pricing it is estimated that the City would purchase approximately 2500 feet of each cable. **This is an estimated quantity only and NO SPECIFIC QUANTITY IS GUARANTEED.** All future orders would be purchased in increments of 2500 feet. There is no guarantee of any future purchases.

Renewal Pricing:

All agreement pricing shall remain firm and fixed for the period of six months following contract execution. After the completion of the first six month term and any renewal terms thereof, the Contractor may adjust the contract price in accordance with the increase or decrease, if any, in the **Producer Price Index (PPI), using a basis of such adjustment the "Other insulated wire & cable, incl control & signal, made of nonferrous metals (purchased wire) PCU335929335929F" ("Index") not seasonally adjusted** for the month prior to the term expiration, published by the Bureau of Labor Statistics of the United States Department of Labor, excepting that the maximum annual increase shall not exceed 5.0% ("annual cap"). The City reserves the right to renegotiate the annual cap based on extreme market conditions. The new rate for each year will be calculated as per the following example:

PPI for current period (Current October Index): 141.236
PPI for previous period (Prior year October Index): 133.542
= Index point change: 7.70

Index point change (7.70) ÷ Prior year October Index (133.542) = 0.06 x 100 = 5.8% index change
5.0% annual cap x current **contract price = New Price**

The increase in the unit prices may occur after Contractor has given the City written notice of such change and received written approval of the increase from the City's Contract Manager.

The City reserves the right to negotiate the annual cap, if extreme market conditions exist, based on review of the annual PPI index change and justifiable cost increases.

Item Descriptions:

International Municipal Signal Association, Inc., Specification No. 20-1 High Density Polyethylene Insulated, High Density Polyethylene Jacket Signal Cable, 7 conductors, 14 AWG, Stranded Copper ADV 8307. Reels must be able to handle between 1000 and 2500 linear feet of cable. Plastic or steel cable reels *ONLY*. Arbor hole or center of spool must be between $2\frac{1}{2}$ – – – – $2\frac{7}{8}$ ”

International Municipal Signal Association, Inc., Specification No. 20-1 High Density Polyethylene Insulated, High Density Polyethylene Jacket Signal Cable, 12 conductors, 14 AWG, Stranded Copper ADV 8312. Reels must be able to handle between 1000 and 2500 linear feet of cable. Plastic or steel cable reels *ONLY*. Arbor hole or center of spool must be between $2\frac{1}{2}$ – – – – $2\frac{7}{8}$ ”

International Municipal Signal Association, Inc., Specification No. 50-2 Polyethylene Insulated, Polyethylene Jacketed Shielded Loop Detector Lead-in Cable, 2 conductors, 14 AWG, Stranded Copper ADV8780. Reels must be able to handle between 500 and 1000 linear feet of cable. Plastic or steel cable reels *ONLY*. Arbor hole or center of spool must be between $2\frac{1}{2}$ – – – – $2\frac{7}{8}$ ”

International Municipal Signal Association, Inc., Specification No. 50-2 Polyethylene Insulated, Polyethylene Jacketed Shielded Loop Detector Lead-in Cable, 4 conductors, 14 AWG, Stranded Copper ADV 8782A. Reels must be able to handle between 500 and 1000 linear feet of cable. Plastic or steel cable reels *ONLY*. Arbor hole or center of spool must be between $2\frac{1}{2}$ – – – – $2\frac{7}{8}$ ”

THHN Wire

- Conductors are annealed (soft) copper
- Insulated with tough, heat and moisture resistant PVC
- Jacket is abrasion, moisture, gasoline and oil resistant nylon
- For use as THWN-2 in wet or dry locations at temperatures not to exceed 194 ° Fahrenheit (90 ° Celsius) or not to exceed 167 ° Fahrenheit (75 ° Celsius) when exposed to oil or coolant
- Voltage for all applications is 600 volts
- UL Listed

THWN

- Type THHN or THWN-2 conductors are primarily used in conduit and cable trays for services, feeders, and branch circuits in commercial or industrial applications as specified in the National Electric Code
- When used as a type THHN conductor it is suitable for use in dry locations that are not to exceed temperatures of 90°C
- THHN copper conductors are annealed (soft) copper
- Jacket is abrasion, heat, moisture, gasoline and oil resistant nylon
- Voltage for all applications is 600 volts
- UL Listed

SJOOW Portable Cable

- Designed for extra hard usage on industrial equipment, battery chargers, power extensions and mining applications
- Flexible outer jacket resists heat, oil and moisture as well as flames, solvents and ozone
- Tissue-paper separator for easier removal of the jacket
- Extra flexible stranding
- Designed for continuous submersion in water
- Certified for indoor and outdoor use

ACSR-Shepherd, Duplex Service Drop Cable

- Service Drop Cable
- Conductor Size 6 AWG
- Number of Conductors 2
- Neutral Conductor Size 6 AWG
- Number of Neutral Conductors 1
- Type Code ACSR, Duplex
- Conductor Material Aluminum
- Insulation Material PE
- Voltage 600 V
- Temperature 75 Deg C
- Trade Name Shepherd
- Number of Strands 7 (Phase)
- Insulation Thickness 45 Mil
- Rated Strength 1190 Lb
- Weight 75 Lb/MFt
- Applicable Standard ANSI/ICEA S-76-474
- Application Street Lighting, Outdoor Lighting and Temporary Service for Construction

Description:
7 Conductor, #14, Black, 20-1 Stranded Signal Cable, 2500' reel
12 Conductor, #14, Black, 20-1 Stranded Signal Cable
2 Conductor, #14, 50-2 Stranded Signal Cable
4 Conductor, #14, 50-2 Stranded Signal Cable
6 AWG White, Type THHN conductor stranded
6 AWG Black, Type THHN conductor stranded
6 AWG Green, Type THHN conductor stranded
6 AWG Bare copper conductor, solid ground wire
6 AWG Black, Type THWN conductor stranded
6 AWG White, Type THWN conductor stranded
6 AWG Red, Type THWN conductor stranded
6 AWG Blue, Type THWN conductor stranded
8 AWG Black, Type THWN conductor stranded
8 AWG White, Type THWN conductor stranded
8 AWG Red, Type THWN conductor stranded
8 AWG Blue, Type THWN conductor stranded
10 AWG SOOW or SJOOW portable cord 2 Conductor Rubber Black
10 AWG Green Solid Conductor
6 AWG-2 Conductor-ACSR-Shepherd, Duplex Service Drop Cable

MODIFICATIONS: If modifications to this document are necessary, such changes will be made in the form of an addendum, posted to the Purchasing website: www.knoxvilletn.gov/bids. It is the vendor's responsibility to review the website to ascertain whether such addenda have been posted.

INCLEMENT WEATHER: During periods of inclement weather, the Purchasing Division will enact the following procedures with regard to solicitations and weather delays:

- If City offices are closed due to inclement weather on the date that quotes are due into the Purchasing Office, all solicitations due that same day will be moved to the next operational business day.
- The City of Knoxville shall not be liable for any commercial carrier's decision regarding deliveries during inclement weather.

In order for your quote to be considered for award, your completed form must be received by the Purchasing Office via email, fax, or hard copy no later than 2:30 p.m. (Eastern Time) on November 29, 2022. Late submissions shall not be accepted.

Prior to submitting their quote, vendors are to be registered with the Purchasing Division through the City of Knoxville's online Vendor Registration system. Instructions for registering on-line are available at www.knoxvilletn.gov/purchasing.

Instructions and Conditions:

By submitting a quote to the City of Knoxville, the submitter warrants the following:

1. The quote is good for 60 days.
2. The Quoter is licensed to conduct business in the City or County where it is headquartered.
3. The Quoter will use environmentally friendly products and services whenever possible.
4. The Quoter has not entered into any collusion with any person in respect to the pricing of this order or any other.
5. The Quoter represents and agrees to the termination clause, and indemnification clause attached to this document.

The Quoter, to the best of its knowledge and belief, does not engage in investment activities in Iran and is not on the list created pursuant to T.C.A § 12-12-106 (available at https://www.tn.gov/content/dam/tn/generalservices/documents/cpo/cpo-library/public-information-library/List_of_persons_pursuant_to_Tenn._Code_Ann._12-12-106_Iran_Divestment_Act_updated_7.7.17.pdf)

6. The Quoter shall be responsible for full compliance with all applicable federal, state, and local laws, rules and regulations.

Please complete the Quote Section below and send your written quote to either the email address or fax number shown below:

Suzanne Daws

Procurement Specialist

City of Knoxville

sdaws@knoxvilletn.gov

FAX:(865) 215-2277

QUOTE SECTION

Having carefully examined the specifications detailed above, we hereby propose to furnish the supervision, labor, materials, equipment, delivery, and services as stated for the following sum:

Bidder Agrees to a fixed price agreement for six months with three (3) optional six-month renewals, the first beginning at the time of award and subject to agreement of both parties. There is no guarantee of additional purchases.

Yes

No

GUARANTEE of delivery no later than: _____

Firm Name: _____

Signature of Quoting Official: _____

Telephone: _____

Email: _____

DUNS #: _____

Description:	Price Per Foot:	Lead Time:
7 Conductor, #14, Black, 20-1 Stranded Signal Cable, 2500' reel		
12 Conductor, #14, Black, 20-1 Stranded Signal Cable		
2 Conductor, #14, 50-2 Stranded Signal Cable		
4 Conductor, #14, 50-2 Stranded Signal Cable		
6 AWG White, Type THHN conductor stranded		
6 AWG Black, Type THHN conductor stranded		
6 AWG Green, Type THHN conductor stranded		
6 AWG Bare copper conductor, solid ground wire		
6 AWG Black, Type THWN conductor stranded		
6 AWG White, Type THWN conductor stranded		
6 AWG Red, Type THWN conductor stranded		
6 AWG Blue, Type THWN conductor stranded		
8 AWG Black, Type THWN conductor stranded		
8 AWG White, Type THWN conductor stranded		
8 AWG Red, Type THWN conductor stranded		
8 AWG Blue, Type THWN conductor stranded		
10 AWG SOOW or SJOOW portable cord 2 Conductor Rubber Black		
10 AWG Green Solid Conductor		
6 AWG-2 Conductor-ACSR-Shepherd, Duplex Service Drop Cable		
Total Quote Price:		

Indemnification Clause:

Contractor shall defend, indemnify and hold harmless the City, its officers, employees and agents from any and all liabilities which may accrue against the City, its officers, employees and agents or any third party for any and all lawsuits, claims, demands, losses or damages alleged to have arisen from an act or omission of Contractor in performance of this Agreement or from Contractor's failure to perform this Agreement using ordinary care and skill, except where such injury, damage, or loss was caused by the sole negligence of the City, its agents or employees.

Contractor shall save, indemnify and hold the City harmless from the cost of the defense of any claim, demand, suit or cause of action made or brought against the City alleging liability referenced above, including, but not limited to, costs, fees, attorney fees, and other expenses of any kind whatsoever arising in connection with the defense of the City; and Contractor shall assume and take over the defense of the City in any such claim, demand, suit, or cause of action upon written notice and demand for same by the City. Contractor will have the right to defend the City with counsel of its choice that is satisfactory to the City, and the City will provide reasonable cooperation in the defense as Contractor may request. Contractor will not consent to the entry of any judgment or enter into any settlement with respect to an indemnified claim without the prior written consent of the City, such consent not to be unreasonably withheld or delayed. The City shall have the right to participate in the defense against the indemnified claims with counsel of its choice at its own expense.

Contractor shall save, indemnify and hold City harmless and pay judgments that shall be rendered in any such actions, suits, claims or demands against City alleging liability referenced above.

The indemnification and hold harmless provisions of this Agreement shall survive termination of the Agreement.

GENERAL COPPER WIRE

TYPE	OIL	WET	DRY	VOLTAGE
✓✓ THHN-THWN	75°C	75°C	90°C	600V
THWN-2	75°C	90°C	90°C	600V
MTW	60°C	60°C	90°C	600V
AWM 1316 to 1321	80°C	-	105°C	600V
AWM 1408 to 1414	60°C	60°C	90°C	600V**
AWM 1452 to 1453 *	80°C	-	90°C	100V
T90 NYLON	60°C	-	90°C	600V
TWN 75	-	75°C	-	600V

* 14-10 AWG only
 ** 14-10 AWG only 2500 volts peak for electronic use only

THWN /
THHN / MTW



SIZE (AWG OR KCMIL)	NO. STRANDS	PVC INSUL. THICK (INCHES)	NYLON JACKET THICK. (INCHES)	APPROX. OUTSIDE DIAMETER (INCHES)	AMPACITY			APPROX. WEIGHT 1000 FT. (LBS)
					THWN. 75°C	THHN. 90°C	MTW. 60°C	
14	Solid	0.015	0.004	0.104	15	15	-	16
12	Solid	0.015	0.004	0.121	20	20	-	24
10	Solid	0.020	0.004	0.152	30	30	-	38
14	19	0.015	0.004	0.112	15	15	15	17
12	19	0.015	0.004	0.131	20	20	20	26
10	19	0.020	0.004	0.164	30	30	30	40
✓✓ 8	19	0.030	0.005	0.216	50	55	40	66
✓✓ 6	19	0.030	0.005	0.253	65	75	55	100
4	19	0.040	0.006	0.322	85	95	70	159
3	19	0.040	0.006	0.350	100	110	85	191
2	19	0.040	0.006	0.381	115	130	95	241
1	19	0.040	0.007	0.443	130	150	110	305
1/0	19	0.050	0.007	0.483	150	170	125	377
2/0	19	0.050	0.007	0.528	175	195	145	468
3/0	19	0.050	0.007	0.579	200	225	165	581
4/0	19	0.050	0.007	0.636	230	260	195	722
250	37	0.060	0.008	0.704	255	290	215	860
300	37	0.060	0.008	0.758	285	320	240	1018
350	37	0.060	0.008	0.808	310	350	260	1180
400	37	0.060	0.008	0.855	335	380	280	1342
500	37	0.060	0.008	0.938	380	430	320	1661
600	61	0.070	0.009	1.039	420	475	355	2007
750	61	0.070	0.009	1.143	475	535	400	2497

NOTES:

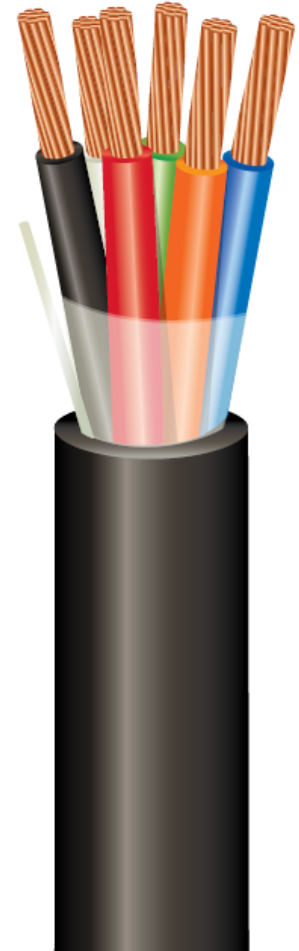
* Allowable ampacity of not more than three conductors in raceway or cable based on ambient temperatures of 30°C (86°F), per Table 310.16 on 2008 . National Electrical Code (NFPA 70 2008).

* Allowable ampacity of Type MTW conductors 60°C wet or dry in cable or raceway per Table 12.5.1 of the Electrical Standard for Industrial Machinery, NFPA 79-2008 (ANSI).

IMSA Spec 20-1 • Stranded Conductor

Specifications		Color Code	Put-Ups
Conductor - Stranded Bare Copper per ASTM B-3, B-8 Insulation 16 AWG - .025" (.635mm) PE 14 AWG - .025" (.635mm) PE 12 AWG - .030" (.762mm) PE	Jacket - PE Voltage Rating - 600 V Temp. Rating - 75°C	Per Specification, See Color Code Tables on Page 15.	Standard Reels 2,500' and 5,000' <i>Other lengths available. Please consult your factory representative for availability.</i>

PART NO.	NO. OF COND	OUTER JKT THICKNESS		NOMINAL O.D.		WEIGHT lbs. / 1M'
		INCH	mm	INCH	mm	
16 AWG						
8362	2	.045	1.143	.310	7.88	45
8363	3	.045	1.143	.326	8.28	56
8364	4	.045	1.143	.354	8.99	73
8365	5	.045	1.143	.386	9.80	87
8367	7	.045	1.143	.417	10.59	108
8369	9	.060	1.524	.497	12.62	147
83610	10	.060	1.524	.517	13.13	160
83612	12	.060	1.524	.554	14.07	195
83616	16	.060	1.524	.620	15.75	235
83620	20	.060	1.524	.678	17.22	284
14 AWG						
8302	2	.045	1.143	.340	8.64	58
8303	3	.045	1.143	.358	9.09	76
8304	4	.045	1.143	.390	9.91	94
8305	5	.045	1.143	.428	10.87	113
8307	7	.045	1.143	.465	11.81	148
8309	9	.060	1.524	.570	14.48	203
8310	10	.060	1.524	.612	15.55	224
8312	12	.060	1.524	.612	15.55	256
8314	14	.060	1.524	.666	16.92	293
8315	15	.060	1.524	.702	17.83	315
8316	16	.060	1.524	.702	17.83	332
8319	19	.060	1.524	.739	18.77	383
8320	20	.060	1.524	.771	19.58	403
8321	21	.060	1.524	.777	19.74	419
8325	25	.060	1.524	.911	23.14	529
8326	26	.060	1.524	.991	25.17	544



IMSA Specification 50-2 Loop Lead-In Cable



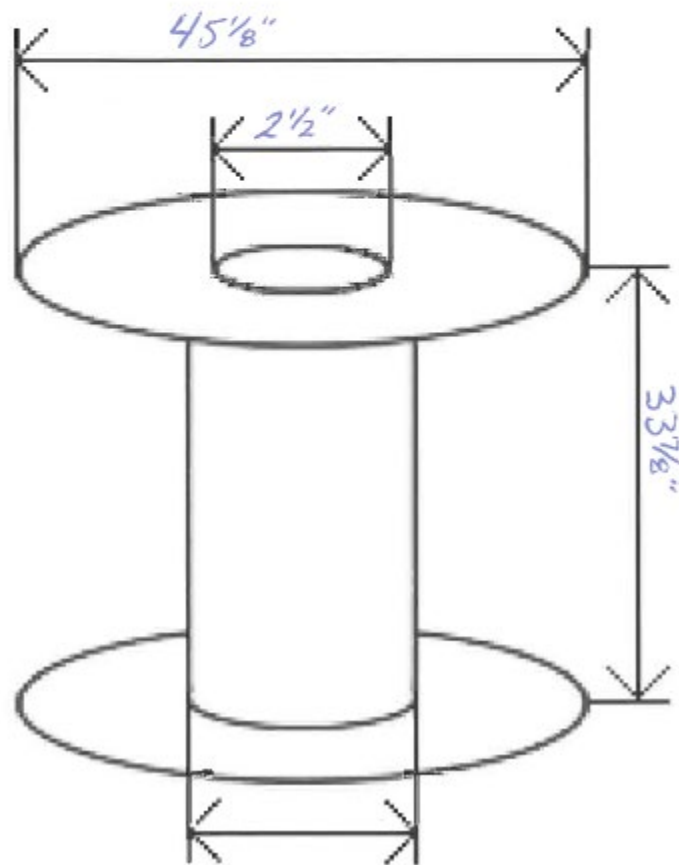
Cable Identification

Marker tape under jacket
 "ADVANCED DIGITAL CABLE
 YYYY IMSA 50-2 600V"
 *replace YYYY with year of manufacture

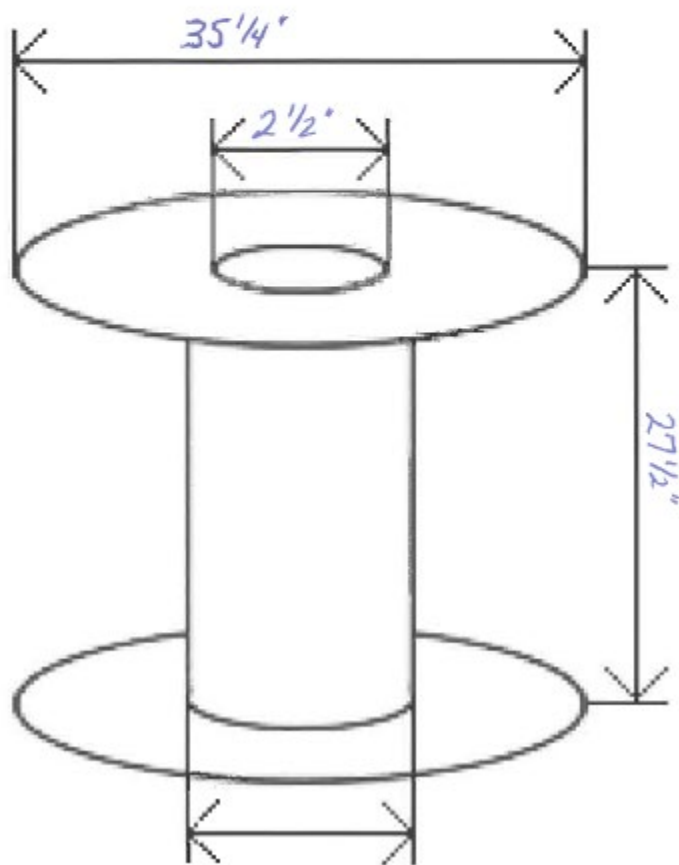
Specifications		Color Code	Put-Ups
Conductor - Stranded Tinned Copper per ASTM B-8, B-33 Insulation - 18 AWG - .030" PE 16 AWG - .030" PE 14 AWG - .030" PE 12 AWG - .030" PE	Shielding - Aluminum Jacket - Polyethylene Voltage Rating - 600 V Temp. Rating - 75°C	Clear/Black (1 Pair Types) See Color Code Tables on Page 15 for Multi-Pair Cables	Standard Reels 1,000', 2,500', 5,000' Other lengths available. Please consult your factory representative for availability.

PART NO.	AWG	NO. OF PAIRS	OUTER JKT THICKNESS		NOMINAL O.D.		WEIGHT lbs. / 1M'
			INCH	mm	INCH	mm	
18 AWG							
8740	18	1	.030	.762	.286	7.26	29
8742A	18	2	.030	.762	.322	8.19	54
8743A	18	3	.030	.762	.465	11.81	78
16 AWG							
8750	16	1	.030	.762	.292	7.42	38
14 AWG							
8780	14	1	.030	.762	.332	8.43	55
8782A	14	2	.030	.762	.400	10.16	102
8783A	14	3	.030	.762	.566	14.38	120
8784A	14	4	.030	.762	.584	14.83	171
12 AWG							
8790	12	1	.030	.762	.356	9.04	75

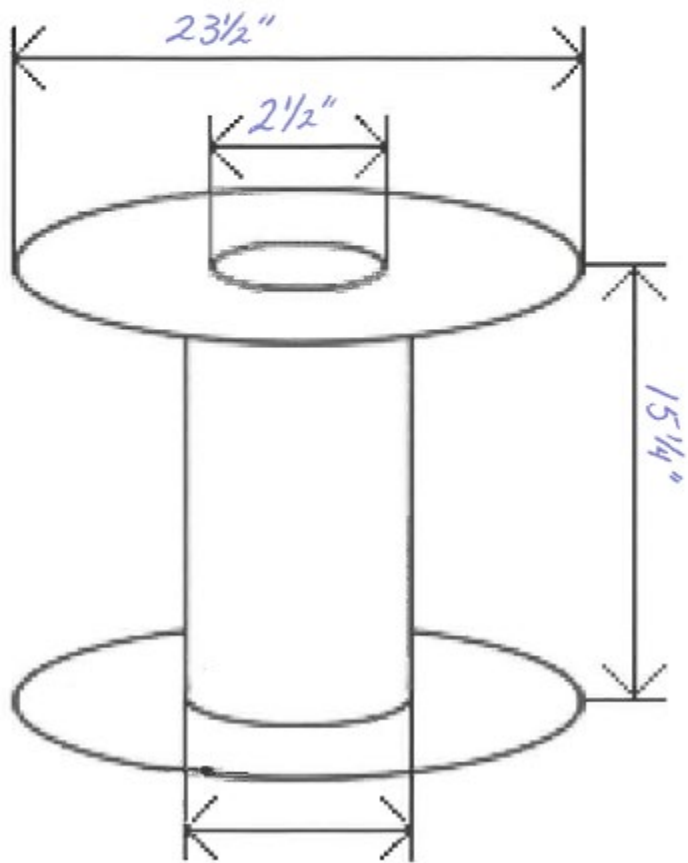
12 CONDUCTOR



7 CONDUCTOR



4 CONDUCTOR



2 CONDUCTOR

