

# BIKE RACK

## HOOP RACK

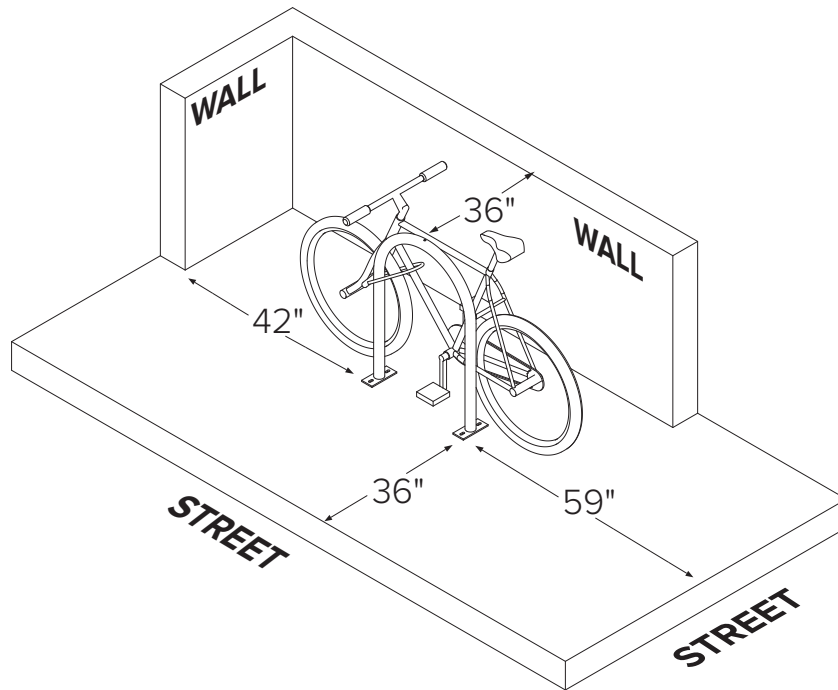


# BIKE RACK

## HOOP RACK

### HOOP RACK Setbacks

---



**DERO**  
A PLAYCORE company

[www.dero.com](http://www.dero.com) | 1-888-337-6729

# BIKE RACK

## HOOP RACK

### HOOP RACK

## Installation Instructions – Surface Mount

---

#### TOOLS NEEDED

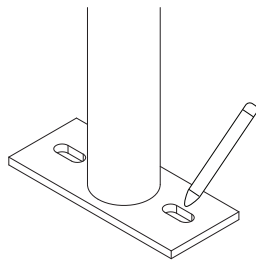
Tape Measure  
Marker or Pencil  
Masonry Drill Bit  
Drill (Hammer drill recommended)  
Hammer  
Wrench 9/16"  
Level

#### RECOMMENDED BASE MATERIAL

Solid concrete is the best base material for installation. To ensure the proper anchors are shipped with your rack, ask your Dero Rack representative which anchor is appropriate for your application. Be sure nothing is underneath the base material that could be damaged by drilling.

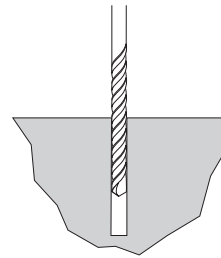
---

**1**



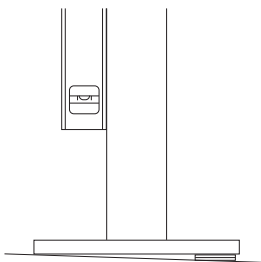
Place the rack in the desired location. Use a marker or pencil to outline the holes of the flange onto the base material.

**2**



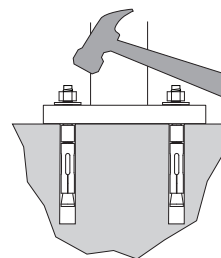
Drill 3/8" diameter holes 3" deep into surface. Make sure the holes are at least 3" away from any cracks in the base material.

**3**



Place rack (and washers to level rack if necessary) over holes.

**4**



Thread nuts onto anchors, leaving approximately 1/4" of the anchor protruding, and tap into surface. Tighten nuts down to secure rack.



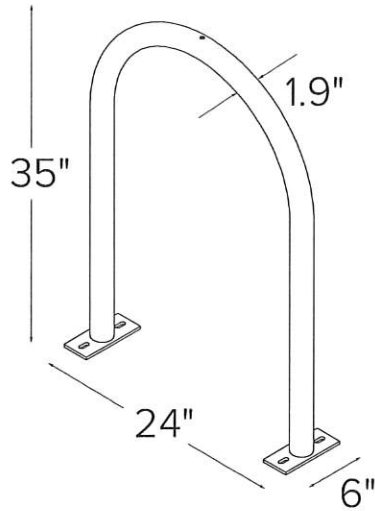
**DERO**  
A PLAYCORE company

www.dero.com | 1-888-337-6729

# HOOP RACK

## Submittal Sheet

**CAPACITY** 2 Bikes



**MATERIALS**

- Standard**  
1.5" schedule 40 pipe (1.9" OD)
- Lightweight**  
1.5" schedule 10 pipe (1.9" OD)

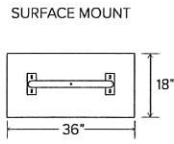
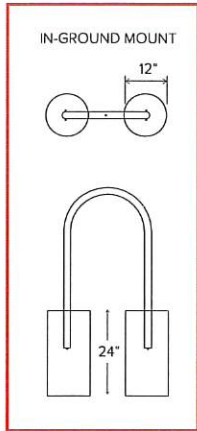
**FINISHES**

- Galvanized**  
An after fabrication hot dipped galvanized finish is our standard option.

- Powder Coat**  
Our powder coat finish assures a high level of adhesion and durability by following these steps:
  1. Sandblast
  2. Epoxy primer electrostatically applied
  3. Final thick TGIC polyester powder coat

- PVC Dip (plastisol)**  
Other colors available by special order (minimum orders apply)

- Stainless**  
Stainless Steel: 304 grade stainless steel material finished in either a high polished shine or a satin finish.

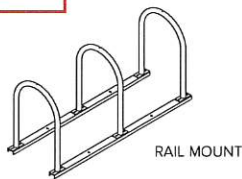


**MOUNT OPTIONS**

- In-ground**  
In ground mount is embedded into concrete base. Specify in ground mount for this option.

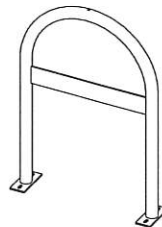
- Surface**  
Foot Mount has two 2.5"x6"x.25" feet with two anchors per foot. Specify foot mount for this option.

- Rail**  
Rail Mounted Racks are bolted to two parallel rails which can be left freestanding or anchored to the ground. Rails are heavy duty 3"x1.4"x3/16" thick galvanized mounting rails. Specify rail mount for this option.



**OPTIONAL LEAN BAR**

- Add Lean Bar**



**DERO**  
A PLAYCORE Company

www.dero.com | 1-888-337-6729

# OUTDOOR TABLE/BENCH

LANDSCAPE FORM - HARVEST



# OUTDOOR TABLE/BENCH

## LANDSCAPE FORM - HARVEST

# HARVEST

landscapeforms®

### Product Data Sheet






The Harvest table's generous size comfortably gathers four people on each side of the table in daylight or moonlight. An optional light spanning table center sets the mood—think candlelight or campfire. The table's durable, 100-percent post-consumer recycled HDPE plastic surface won't get too hot or cold and requires low-to-no maintenance. Harvest's four vibrant colors are blended into the plastic, not surface applied, and a UV-resistant compound is added to the pigment. The metal structure and legs are finished in Pangard II® HAPS, VOC, and lead-free polyester powdercoat that resists fading and chipping. Harvest is the result of a partnership between Loll Designs and Landscape Forms, two design leaders bettering people's outdoor experiences. Together, the companies share a passion for design and cultures that value people, community, and the environment.

#### Harvest Table

- Harvest table is available in dining and standing heights.
- The dining-height table is ADA compliant.
- Harvest table is constructed of extruded aluminum legs bolted to steel table top supports.
- All metal components are finished with Landscape Forms' proprietary Pangard II polyester powdercoat, a hard yet flexible finish that resists rusting, chipping, peeling and fading.
- Table top material is made of Loll Designs' 100% recycled high-density polyethylene (HDPE) sourced primarily from recycled milk jugs.
- Harvest table is available in four standard colors: charcoal, apple red, leaf green, and sunset orange.
- Table leg glides are made of tough nylon to resist damage from dragging on rough surfaces.
- Harvest table is available freestanding only.

#### Harvest Bench

- Harvest bench is constructed of extruded aluminum legs bolted to steel bench top supports.
- All metal components are finished with Landscape Forms' proprietary Pangard II polyester powdercoat, a hard yet flexible finish that resists rusting, chipping, peeling and fading.
- Bench top material is made of Loll Designs' 100% recycled high-density polyethylene (HDPE) sourced primarily from recycled milk jugs.
- Harvest bench is available in four standard colors: charcoal, apple red, leaf green, and sunset orange.
- Bench leg glides are made of tough nylon to resist damage from dragging on rough surfaces.
- Harvest bench is available freestanding only.

HARVEST	STYLE	DEPTH	WIDTH	HEIGHT	WEIGHT
	Dining Height Table	47.75"	94.75"	30.25"	260 lbs
	Standing Height Table	36.75"	94.75"	40"	230 lbs
	Bench	15.25"	94"	18.75"	90 lbs



# OUTDOOR CHAIR

## LOLL DESIGN - ADIRONDACK TALL

loll designs

adirondack



**adirondack**

SKU: AD-4SFC-(color code)



**adirondack tall**

SKU: AD-4SFT-(color code)



**adirondack rocker**

SKU: AD-4SFR-(color code)



**adirondack curve**

SKU: AD-4SCC-(color code)



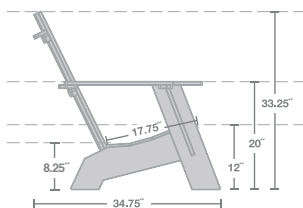
**adirondack curve tall**

SKU: AD-4SCT-(color code)



**adirondack curve rocker**

SKU: AD-4SCR-(color code)



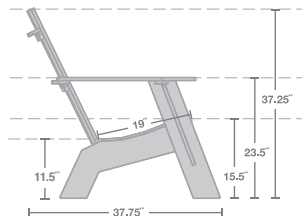
**dimensions:**

width: 28.5 (72.4cm)  
depth: 34.75 (88.1cm)  
height: 33.25 (84.2cm)  
seat depth: 17.75 (45.1cm)

**weight:** 39 lbs (17.7kg)

**ship dimensions:** 30" x 6" x 30"  
**ship weight:** 53 lbs (24.0kg)

use with: **ottoman:** OT-C



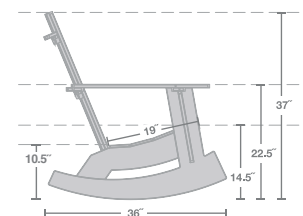
**dimensions:**

width: 30 (76.2cm)  
depth: 37.75 (95.7cm)  
height: 37.25 (94.3cm)  
seat depth: 19 (48.1cm)

**weight:** 49 lbs (22.2kg)

**ship dimensions:** 30" x 6" x 30"  
**ship weight:** 49 lbs (22.2kg)

use with: **tall ottoman:** OT-4ST



**dimensions:**

width: 30 (76.2cm)  
depth: 36 (91.1cm)  
height: 37 (93.7cm)  
seat depth: 19 (48.1cm)

**weight:** 52 lbs (23.6kg)

**ship dimensions:** 36" x 8" x 30"  
**ship weight:** 60 lbs (27.2kg)

use with: **adirondack table:** SA-ADT



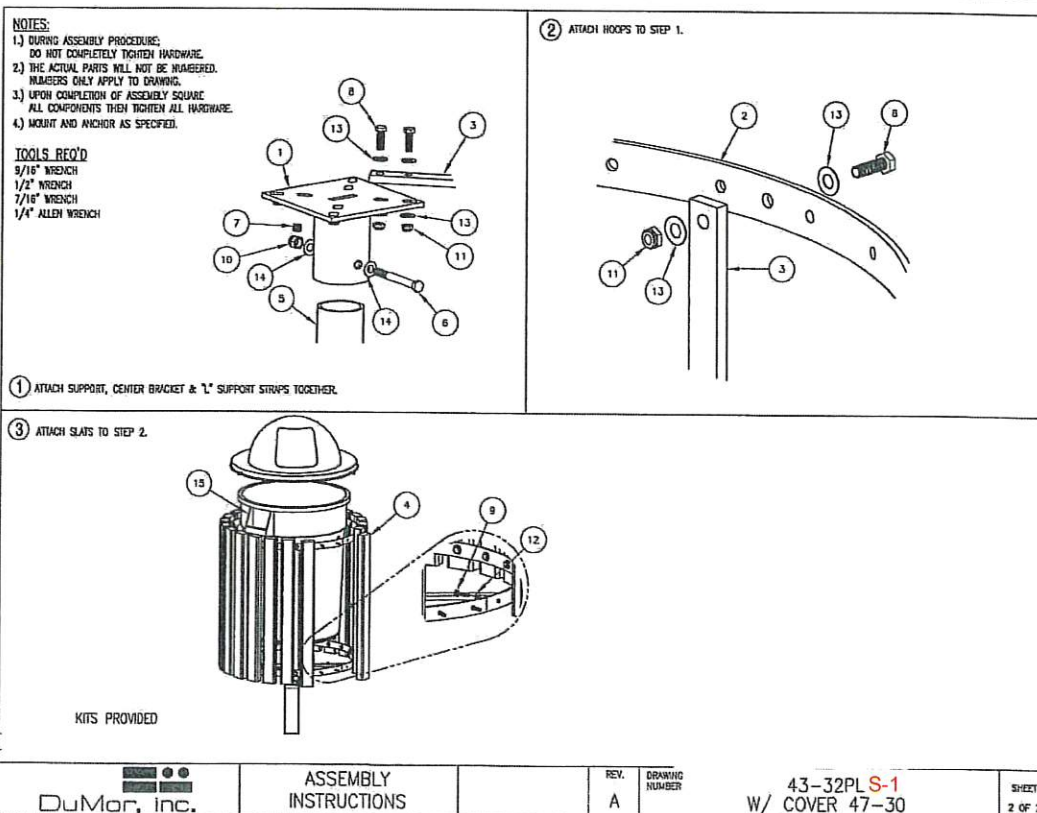
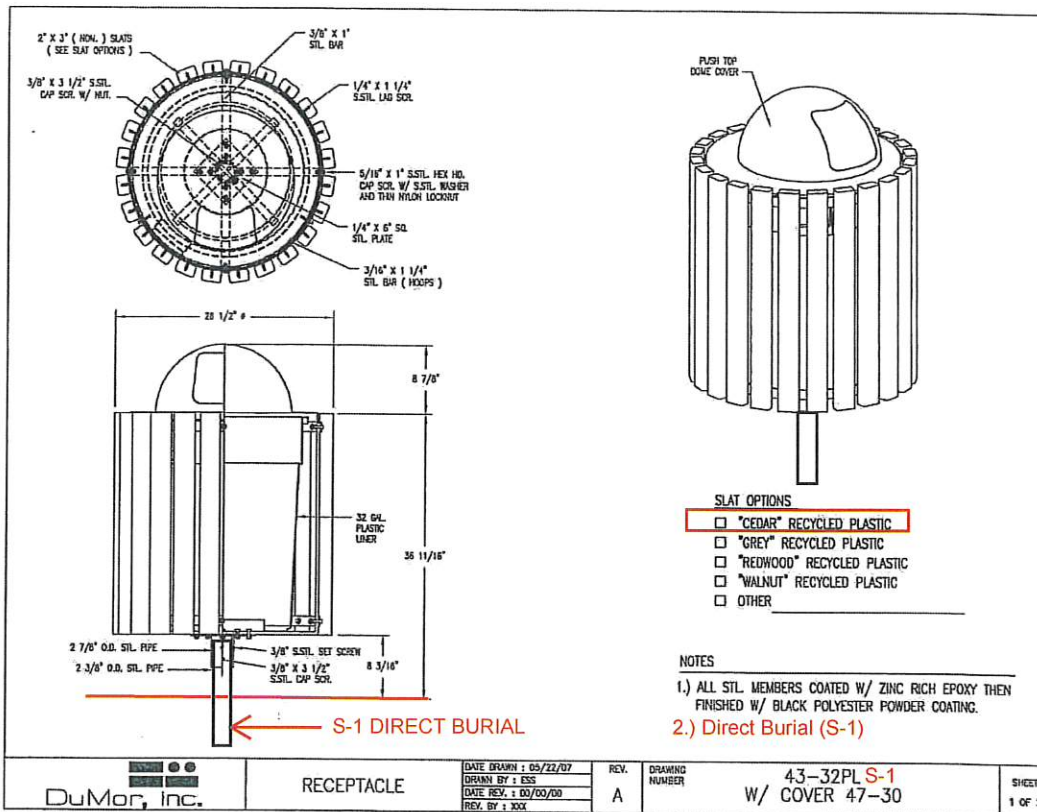
loll designs.com



it's good to be recycled

# TRASH/RECYCLE RECEPTACLE

DUMOR - RECEPTACLE 43 (TO MATCH DUBOIS PARK)





# WATER FOUNTAIN

## WILLIAMS - MODEL 7700-90

**STERN**  
**WILLIAMS** DIMENSIONAL INFORMATION

MODEL 7700-90

MODEL 7700-90  
Single Fountain with  
Water Bottle Filler Station and Pet Fountain

