



105 SILVER PINE CT  
GREER, SC 2950

# FAIRFIELD COUNTY SCHOOLDISTRICT

1226 US-321 BYP  
WINNSBORO, SC 29180

# ENTRYWAY UPGRADES



FAIRFIELD COUNTY  
SCHOOLDISTRICT  
1226 US-321 BYP  
WINNSBORO, SC 29180

© 2020 DivTech

THIS DRAWING AND THE  
DESIGN THEREON ARE THE  
PROPERTY OF

DivTech

ANY REPRODUCTION OR UNAUTHORIZED USE  
THEREOF WITHOUT WRITTEN PERMISSION MAY  
BE SUBJECT TO LEGAL ACTION.

### REVISIONS

NO.	DATE	DESCRIPTION
A	07/16/2020	ISSUED FOR BIDS
B	07/24/2020	ADDENDUM 1

ITEM	DATE	BY
DESIGN	07/16/2020	MAG
DRAWN	07/16/2020	MAG
CHECKED	07/16/2020	MAG
APPR		
CLIENT APP		

### COVER SHEET

DivTech Project # 20-02

DWG	REVISION
<b>GA-0</b>	<b>B</b>

- GA-1 DISTRICT ADMINISTRATIVE OFFICE**  
1226 US HWY 321 BY-PASS SOUTH WINNSBORO, SC 29180
- GA-2 FAIRFIELD CENTRAL HIGH SCHOOL**  
836 US HWY 321 BY-PASS WINNSBORO, SC 29180
- GA-3 FAIRFIELD CAREER & TECHNOLOGY CENTER**  
790 US HWY 321 BY-PASS WINNSBORO, SC 29180
- GA-4 FAIRFIELD ELEMENTARY SCHOOL**  
175 MEDLEY ROAD WINNSBORO, SC 29180
- GA-5 FAIRFIELD MAGNET SCHOOL FOR MATH & SCIENCE**  
1647 US HWY 321 BY-PASS WINNSBORO, SC 29180

- GA-6 FAIRFIELD MIDDLE SCHOOL**  
728 US HWY 321 BY-PASS WINNSBORO, SC 29180
- GA-7 GEIGER ELEMENTARY SCHOOL**  
150 TM COOK LANE RIDGEWAY, SC 29130
- GA-8 KELLY MILLER ELEMENTARY SCHOOL**  
255 KELLY MILLER ROAD WINNSBORO, SC 29180
- GA-9 McCROREY-LISTON SCHOOL OF TECHNOLOGY**  
1978 STATE HWY 215 BLAIR, SC 29015

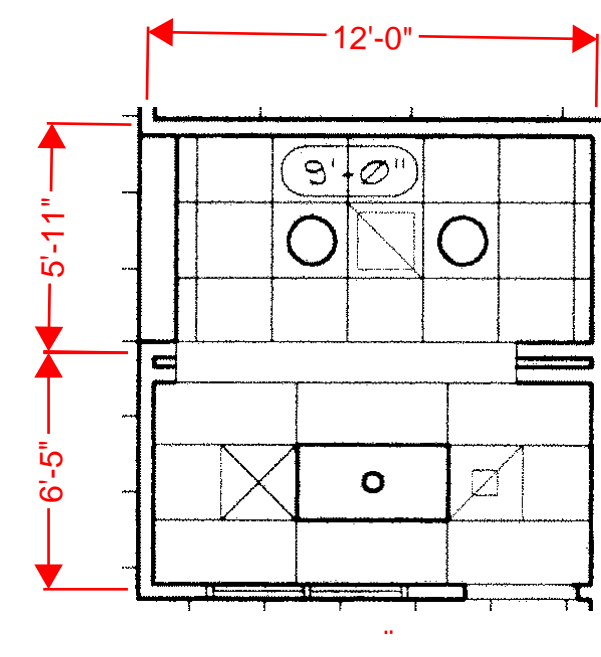
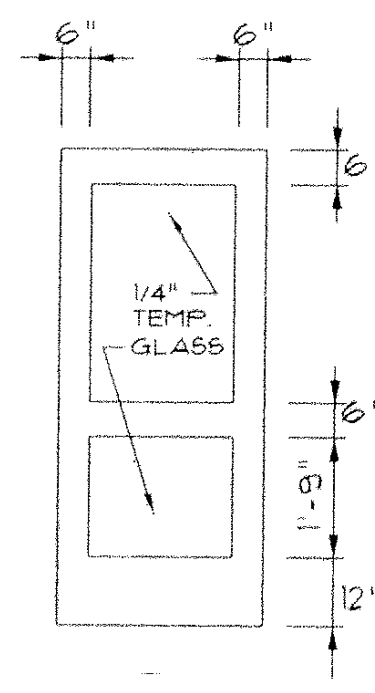
NEW 3'-0" X 6'-8" X 1 3/4" HOLLOW METAL STEEL SECURITY DOORS W/ LOCKING REMOVEABLE CENTER MULLION  
 NOMINAL 7'-0" OVERALL ASSEMBLY HEIGHT  
 ASSEMBLY FRAME NOMINAL 2" WIDE X 5" DEEP W/ WELDED STEEL REINFORCED HEADER BRACING

(ELECTRIC STRIKE LOCK ON RIGHT SIDE DOOR BY OWNER)

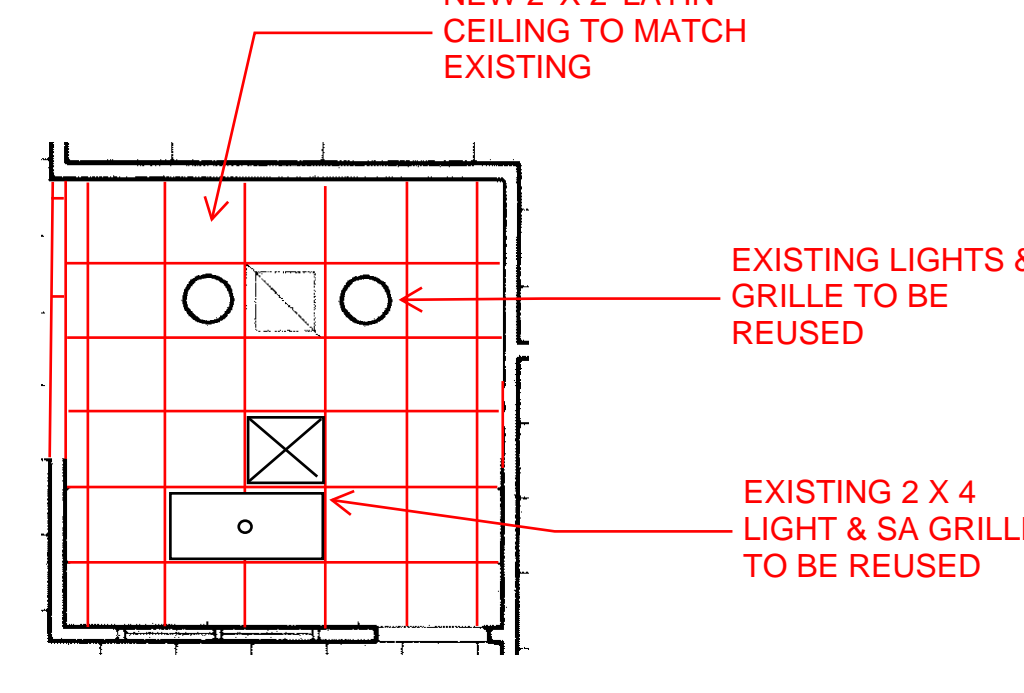
DOOR HARDWARE SHALL INCLUDE :  
 VON DUPRIN 99 PANIC BAR  
 LCN 4040XP DOOR CLOSER W/ HOLD OPEN  
 CUSH-N-STOP ARM (HCUSH)  
 4 1/2" HEAVY DUTY BALL BEARING SS HINGES,  
 BOMMER OR EQUAL  
 THRESHOLDS (NOT REQUIRED)  
 CORBIN RUSWIN LOCK CYLINDERS THAT ARE RIM  
 TYPE D2, 6 PIN  
 HANDLES SHALL BE D SHAPE PULL TYPE W/  
 ESCUTCHEON  
 DOORS SHALL BE AS MANUFACTURED BY  
 PIONEER, STEELCRAFT, KAWNEER OR APPROVED  
 EQUAL



NEW DOUBLE SECURITY DOOR ASSEMBLY  
 (SIMILAR TO ABOVE)  
 (COLOR TO BE SELECTED BY OWNER)

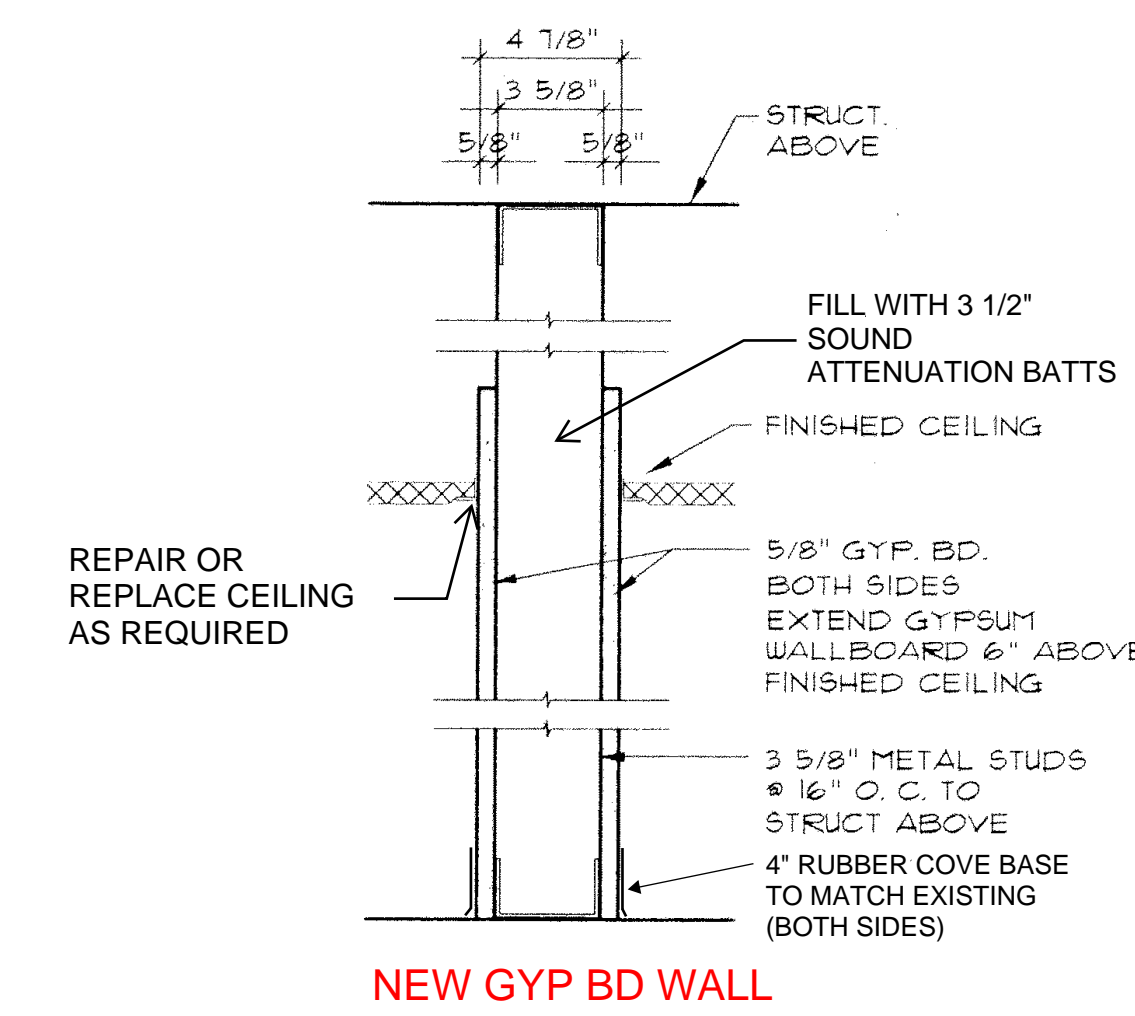


EXISTING CEILING

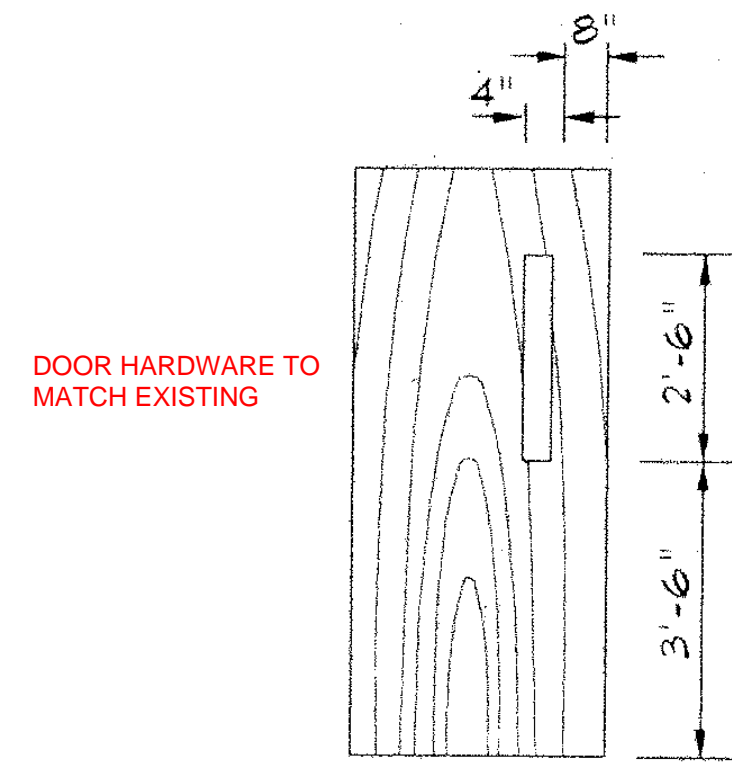


NEW CEILING

PARTIAL CEILING PLAN

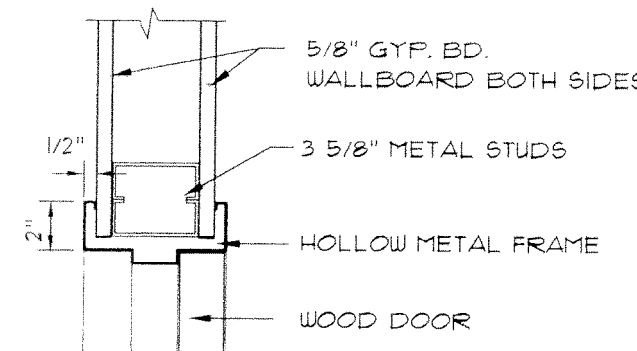


NEW GYP BD WALL

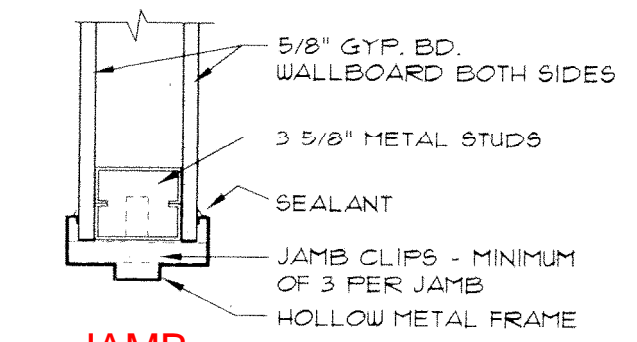


DOOR HARDWARE TO MATCH EXISTING

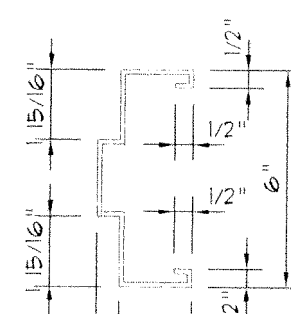
SOLID CORE NON-RATED WOOD DOOR  
 (TO MATCH EXISTING)



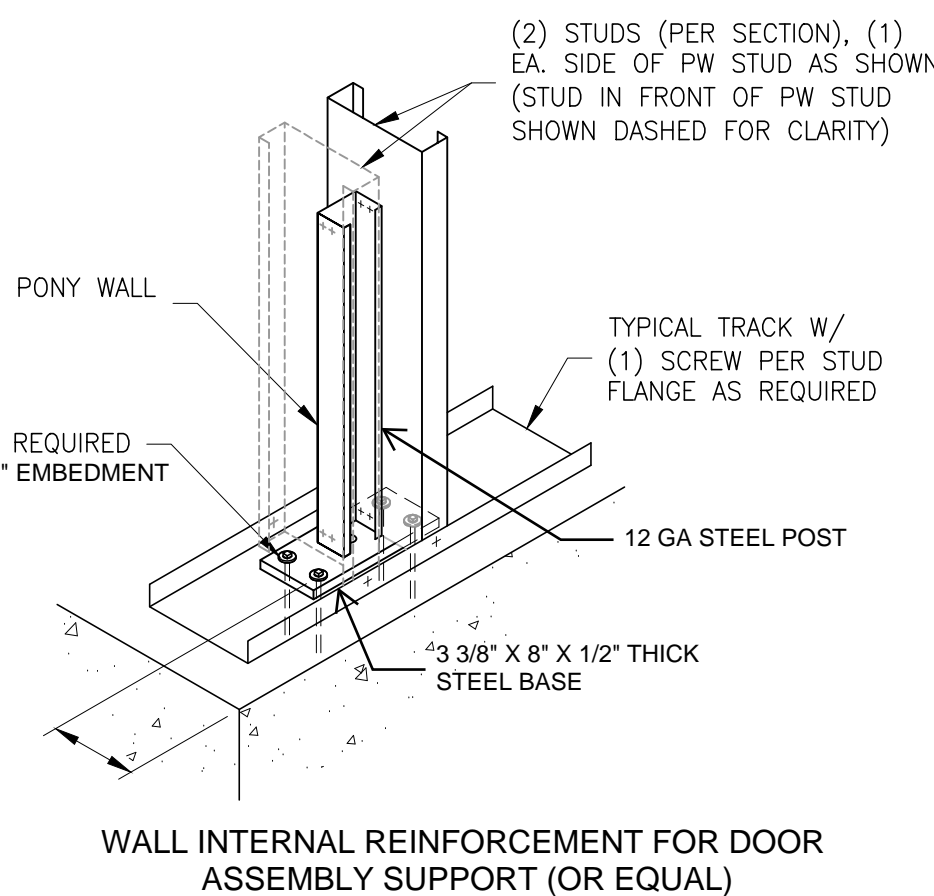
HEAD



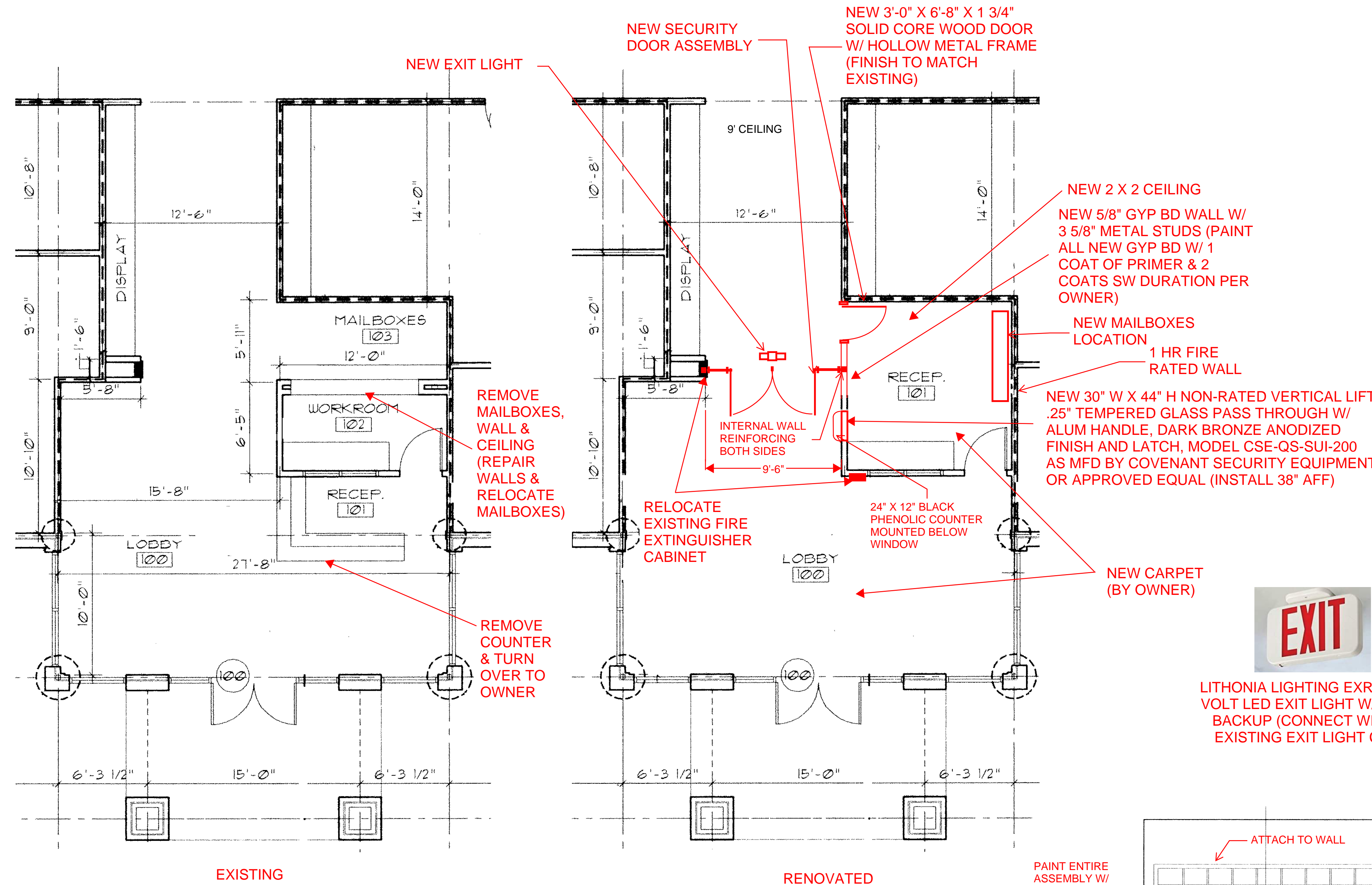
JAMB



FRAME



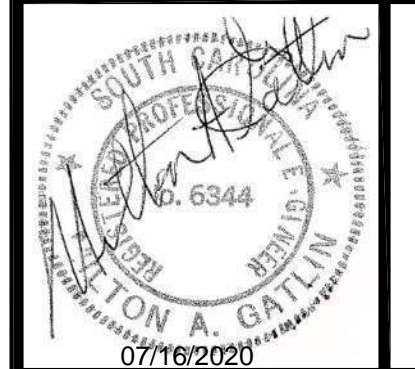
WALL INTERNAL REINFORCEMENT FOR DOOR ASSEMBLY SUPPORT (OR EQUAL)



EXISTING

RENOVATED

**DISTRICT ADMINISTRATIVE OFFICE**  
 NOT TO SCALE



**DISTRICT ADMINISTRATIVE OFFICE**

1226 US HWY 321 BY-PASS SOUTH  
 WINNSBORO, SC 29180



**FAIRFIELD COUNTY SCHOOLDISTRICT**  
 1226 US-321 BYP  
 WINNSBORO, SC 29180

© 2020 DivTech  
 THIS DRAWING AND THE DESIGN THEREON ARE THE PROPERTY OF  
 DivTech  
 ANY REPRODUCTION OR UNAUTHORIZED USE THEREOF WITHOUT WRITTEN PERMISSION MAY BE SUBJECT TO LEGAL ACTION.

**REVISIONS**

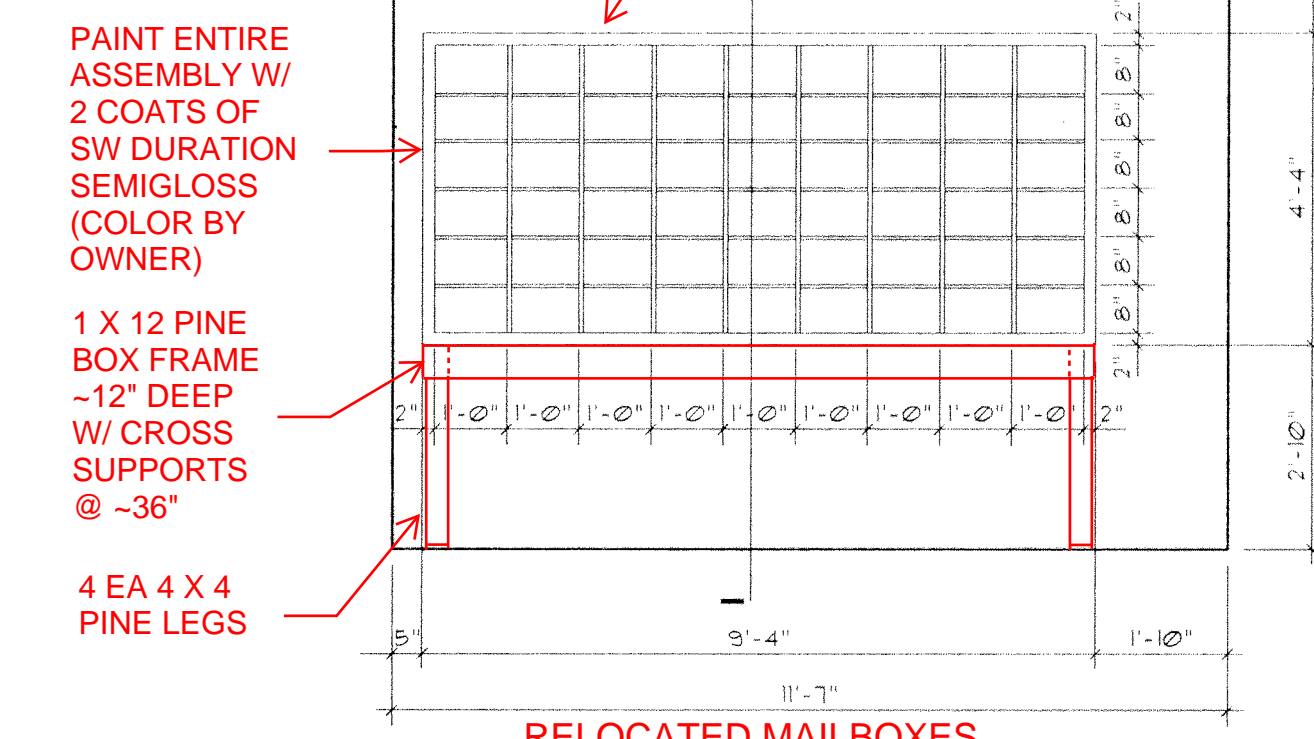
NO.	DATE	DESCRIPTION
A	07/16/2020	ISSUED FOR BIDS
B	07/24/2020	ADDENDUM 1

ITEM	DATE	BY
DESIGN	07/16/2020	MAG
DRAWN	07/16/2020	MAG
CHECKED	07/16/2020	MAG
APPR		
CLIENT APPR		

**ENTRYWAY UPGRADES**

DivTech Project # 20-02

DWG	GA-1	REVISION	B
-----	------	----------	---



RELOCATED MAILBOXES

LITHONIA LIGHTING EXR EL M6 120 VOLT LED EXIT LIGHT W/ BATTERY BACKUP (CONNECT WIRING TO EXISTING EXIT LIGHT CIRCUIT)



PAINT ENTIRE ASSEMBLY W/ 2 COATS OF SW DURATION SEMIGLOSS (COLOR BY OWNER)

1 X 12 PINE BOX FRAME -12" DEEP W/ CROSS SUPPORTS @ -36"

4 EA 4 X 4 PINE LEGS

NEW CARPET (BY OWNER)

NEW MAILBOXES LOCATION

NEW 2 X 2 CEILING  
 NEW 5/8" GYP BD WALL W/ 3 5/8" METAL STUDS (PAINT ALL NEW GYP BD W/ 1 COAT OF PRIMER & 2 COATS SW DURATION PER OWNER)

NEW 3'-0" X 6'-8" X 1 3/4" SOLID CORE WOOD DOOR W/ HOLLOW METAL FRAME (FINISH TO MATCH EXISTING)

NEW SECURITY DOOR ASSEMBLY

NEW EXIT LIGHT

REMOVE MAILBOXES, WALL & CEILING (REPAIR WALLS & RELOCATE MAILBOXES)

REMOVE COUNTER & TURN OVER TO OWNER

RELOCATE EXISTING FIRE EXTINGUISHER CABINET

INTERNAL WALL REINFORCING BOTH SIDES

24" X 12" BLACK PHENOLIC COUNTER MOUNTED BELOW WINDOW

NEW 30" W X 44" H NON-RATED VERTICAL LIFT .25" TEMPERED GLASS PASS THROUGH W/ ALUM HANDLE, DARK BRONZE ANODIZED FINISH AND LATCH, MODEL CSE-QS-SUI-200 AS MFD BY COVENANT SECURITY EQUIPMENT OR APPROVED EQUAL (INSTALL 38" AFF)

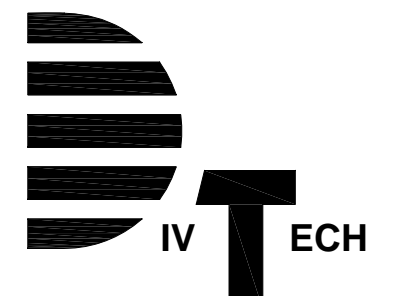
9' CEILING

REPAIR OR REPLACE CEILING AS REQUIRED

EXISTING LIGHTS & GRILLE TO BE REUSED  
 EXISTING 2 X 4 LIGHT & SA GRILLE TO BE REUSED

NEW 2' X 2' LAYIN CEILING TO MATCH EXISTING

STRUC. ABOVE  
 FILL WITH 3 1/2" SOUND ATTENUATION BATTS  
 FINISHED CEILING  
 5/8" GYP. BD. BOTH SIDES  
 EXTEND GYPSUM WALLBOARD 6" ABOVE FINISHED CEILING  
 3 5/8" METAL STUDS @ 16" O. C. TO STRUC. ABOVE  
 4" RUBBER COVE BASE TO MATCH EXISTING (BOTH SIDES)



105 SILVER PINE CT  
GREER, SC 29550



**FAIRFIELD CENTRAL  
HIGH SCHOOL**  
836 US HWY 321 BY-PASS  
WINNSBORO, SC 29180



**FAIRFIELD COUNTY  
SCHOOLDISTRICT**  
1226 US-321 BYP  
WINNSBORO, SC 29180

© 2020 DivTech

THIS DRAWING AND THE  
DESIGN THEREON ARE THE  
PROPERTY OF

DivTech

ANY REPRODUCTION OR UNAUTHORIZED USE  
THEREOF WITHOUT WRITTEN PERMISSION MAY  
BE SUBJECT TO LEGAL ACTION.

**REVISIONS**

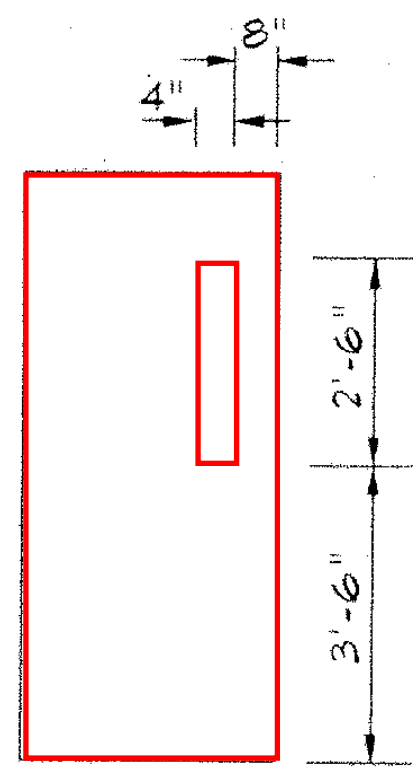
NO.	DATE	DESCRIPTION
A	07/16/2020	ISSUED FOR BIDS
B	07/24/2020	ADDENDUM 1

ITEM	DATE	BY
DESIGN	07/16/2020	MAG
DRAWN	07/16/2020	MAG
CHECKED	07/16/2020	MAG
APPR		
CLIENT APPR		

**ENTRYWAY UPGRADES**

DivTech Project # 20-02

DWG	<b>GA-2</b>	REVISION	<b>B</b>
-----	-------------	----------	----------

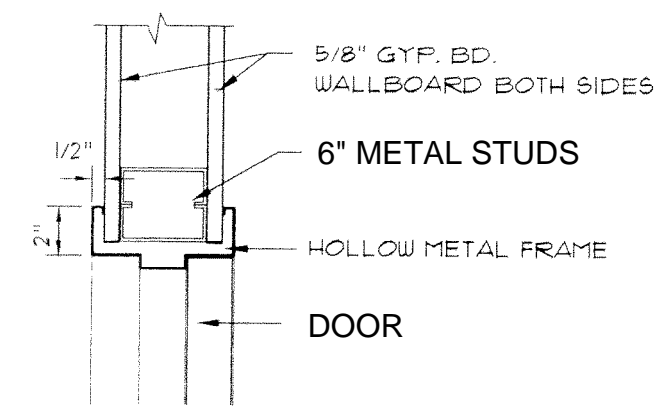


DOOR HARDWARE SHALL INCLUDE:  
LCN 4040XP DOOR CLOSER W/ HOLD OPEN  
CUSH-N-STOP ARM (HCUSH)  
4 1/2" HEAVY DUTY BALL BEARING SS HINGES,  
BOMMER OR EQUAL  
THRESHOLDS (NOT REQUIRED)  
CORBIN RUSWIN LOCK CYLINDERS THAT ARE RIM  
TYPE D2, 6 PIN  
HANDLES SHALL BE LEVER TYPE, FINISH  
SELECTED BY OWNER  
DOORS SHALL BE AS MANUFACTURED BY  
PIONEER, STEELCRAFT, KAWNEER OR APPROVED  
EQUAL

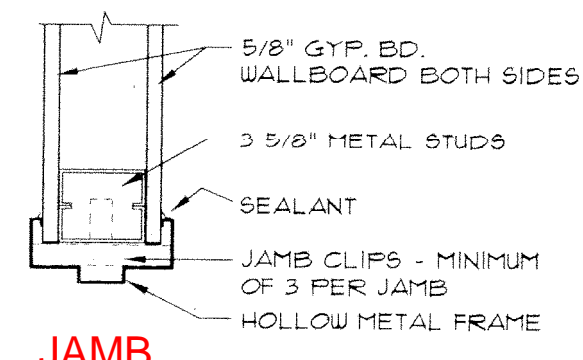


LITHONIA LIGHTING EXR EL M6 120  
VOLT LED EXIT LIGHT W/ BATTERY  
BACKUP (CONNECT WIRING TO  
EXISTING EXIT LIGHT CIRCUIT)

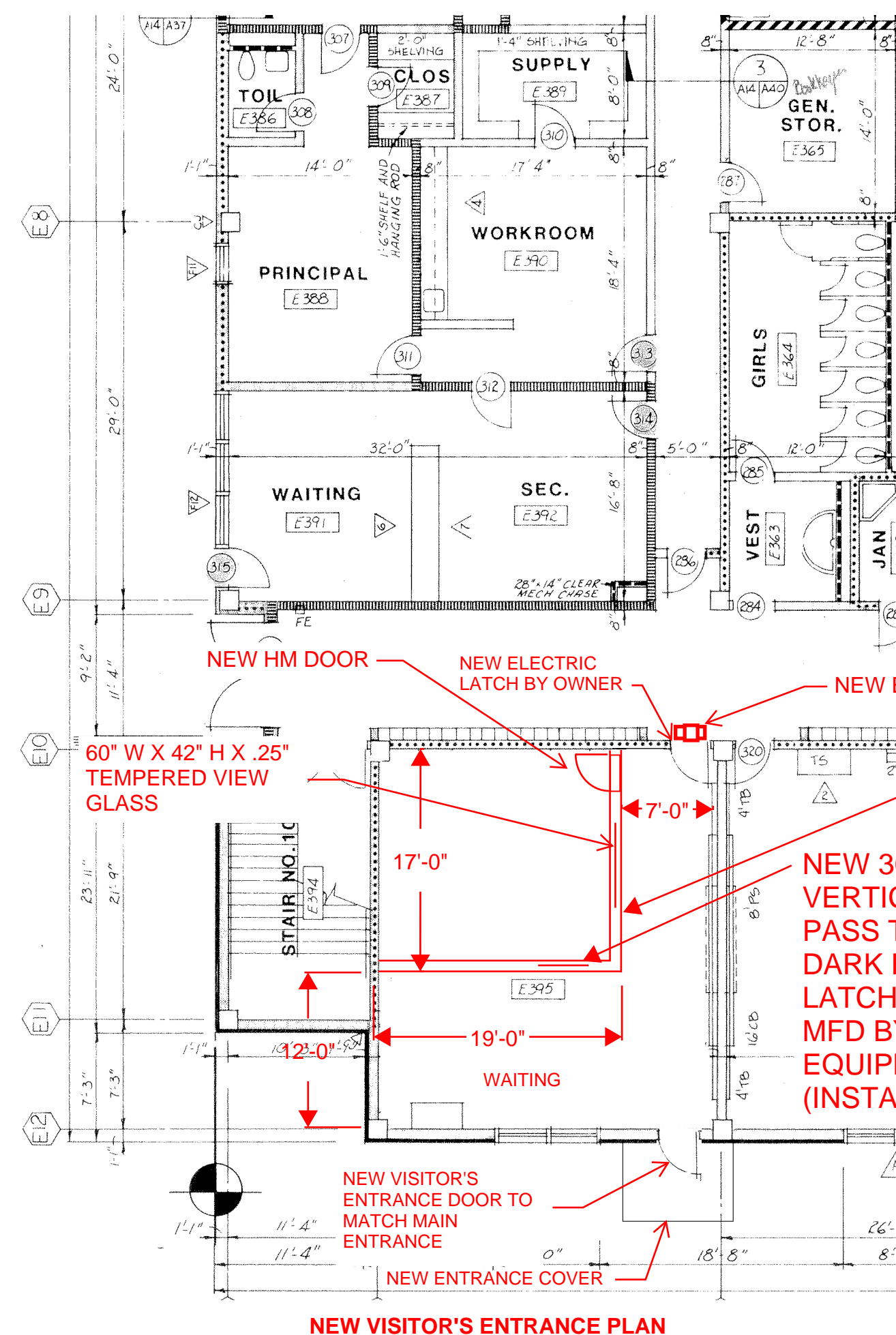
3'-0" X 6'-8" X 1 3/4" NON RATED  
HM STEEL DOOR & FRAME



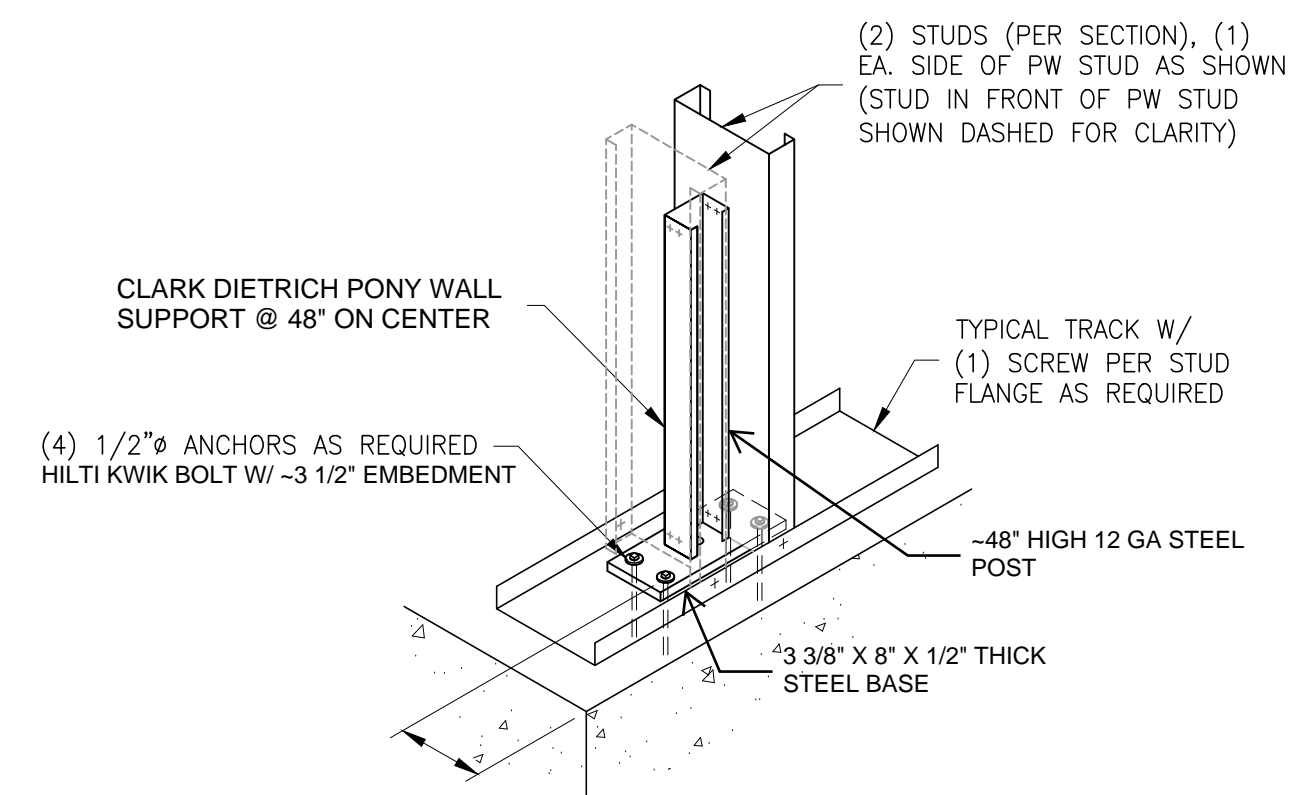
HEAD



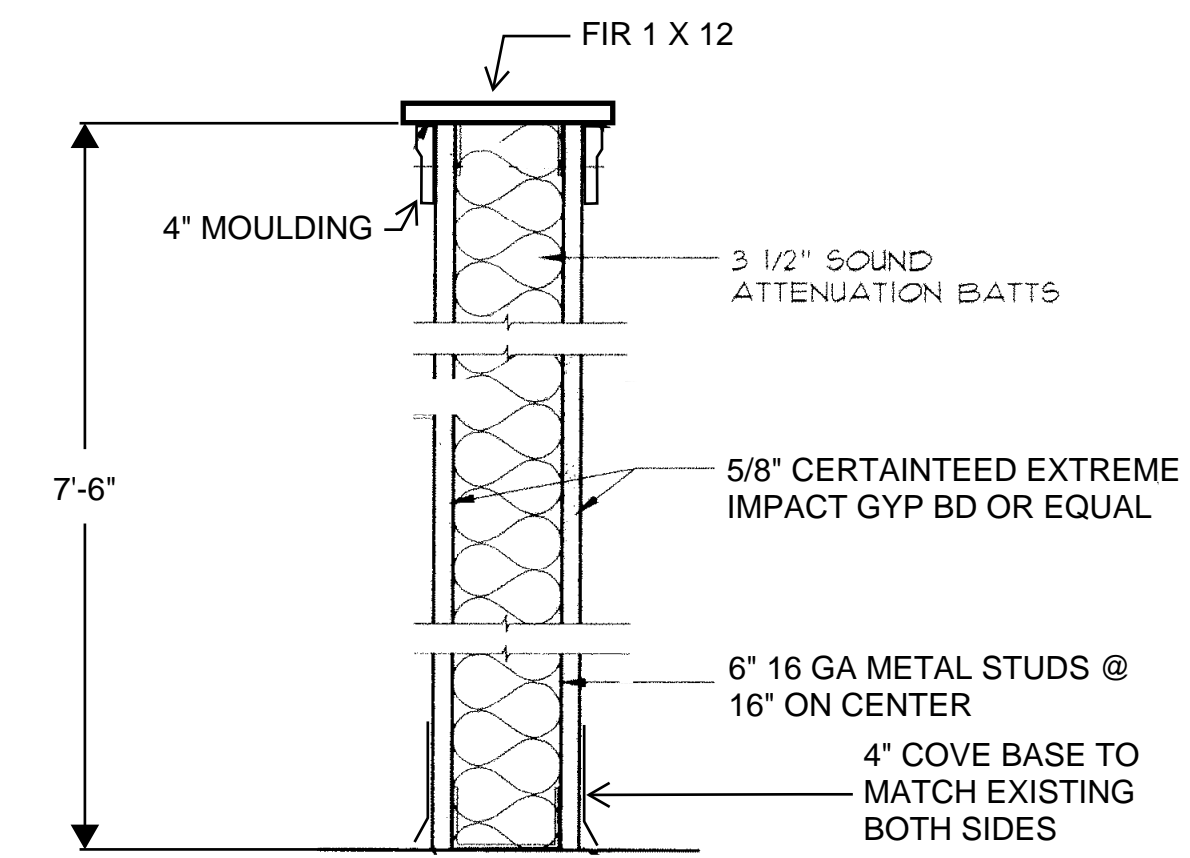
JAMB



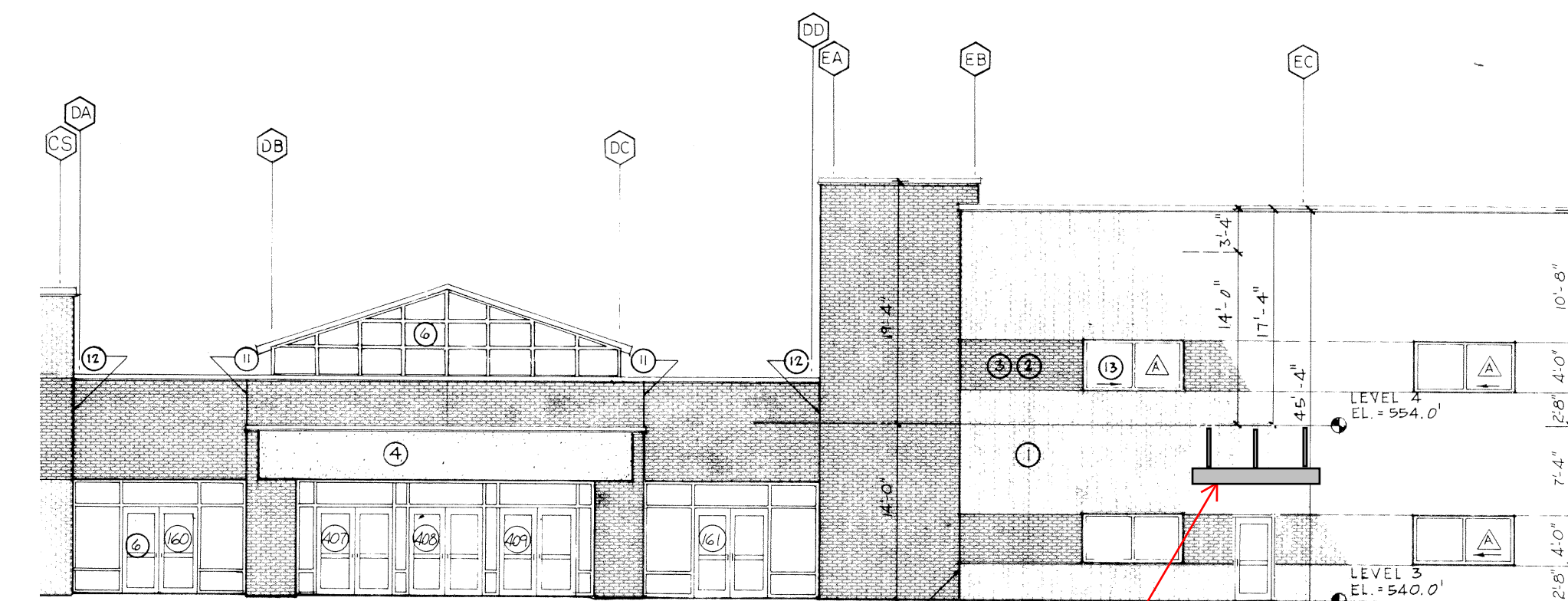
NEW HM DOOR  
NEW ELECTRIC LATCH BY OWNER  
NEW EXIT LIGHT  
60" W X 42" H X .25" TEMPERED VIEW GLASS  
NEW 5/8" GYP BD WALL W/ 6" METAL STUDS (PAINT ALL NEW GYP BD W/ 1 COAT OF PRIMER & 2 COATS SW DURATION PER OWNER)  
NEW 30" W X 42" H NON-RATED VERTICAL LIFT .25" TEMPERED GLASS PASS THROUGH W/ ALUM HANDLE, DARK BRONZE ANODIZED FINISH AND LATCH, MODEL CSE-QS-SUI-200 AS MFD BY COVENANT SECURITY EQUIPMENT OR APPROVED EQUAL (INSTALL 38" AFF)  
NEW VISITOR'S ENTRANCE DOOR TO MATCH MAIN ENTRANCE  
NEW ENTRANCE COVER  
NEW VISITOR'S ENTRANCE PLAN



PONY WALL INTERNAL REINFORCEMENT  
OR EQUAL

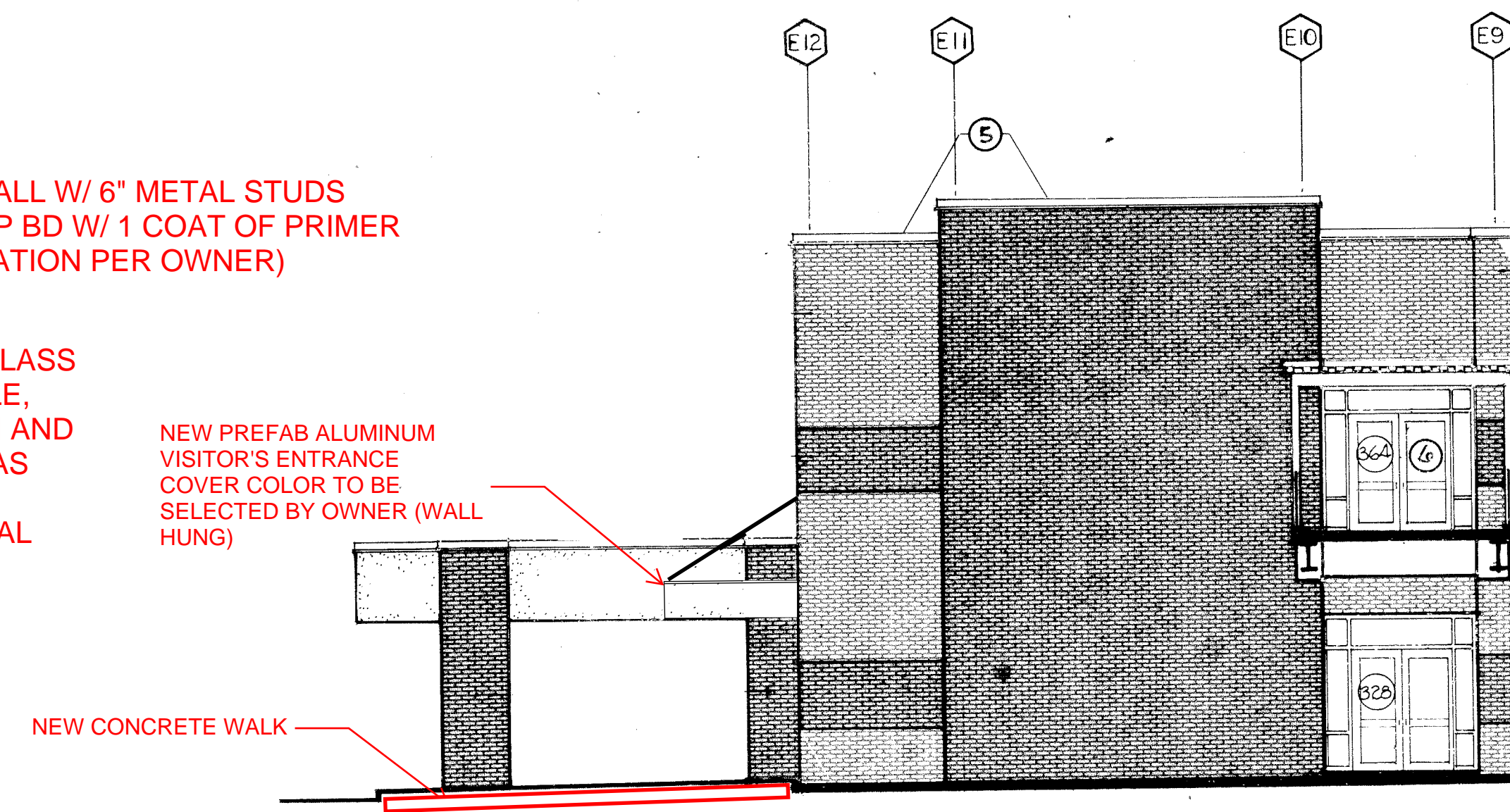


NEW 1 HR FIRE RATED GYP BD WALL  
PAINT ALL NEW GYP BD W/ 1 COAT OF PRIMER  
& 2 COATS SW DURATION, COLOR PER OWNER



NEW VISITOR'S ENTRANCE FRONT ELEVATION

NEW WALL HUNG  
ENTRANCE COVER  
NEW VISITOR'S  
ENTRANCE DOOR  
(TO MATCH MAIN  
ENTRANCE)



NEW VISITOR'S ENTRANCE SIDE ELEVATION

NEW PREFAB ALUMINUM  
VISITOR'S ENTRANCE  
COVER COLOR TO BE  
SELECTED BY OWNER (WALL  
HUNG)

NEW CONCRETE WALK

**FAIRFIELD CENTRAL HIGH SCHOOL**  
NOT TO SCALE



105 SILVER PINE CT  
GREER, SC 2950



**FAIRFIELD CAREER & TECHNOLOGY CENTER**  
790 US HWY 321 BY-PASS  
WINNSBORO, SC 29180



**FAIRFIELD COUNTY SCHOOLDISTRICT**  
1226 US-321 BYP  
WINNSBORO, SC 29180

© 2020 DivTech

THIS DRAWING AND THE DESIGN THEREON ARE THE PROPERTY OF

DivTech

ANY REPRODUCTION OR UNAUTHORIZED USE THEREOF WITHOUT WRITTEN PERMISSION MAY BE SUBJECT TO LEGAL ACTION.

**REVISIONS**

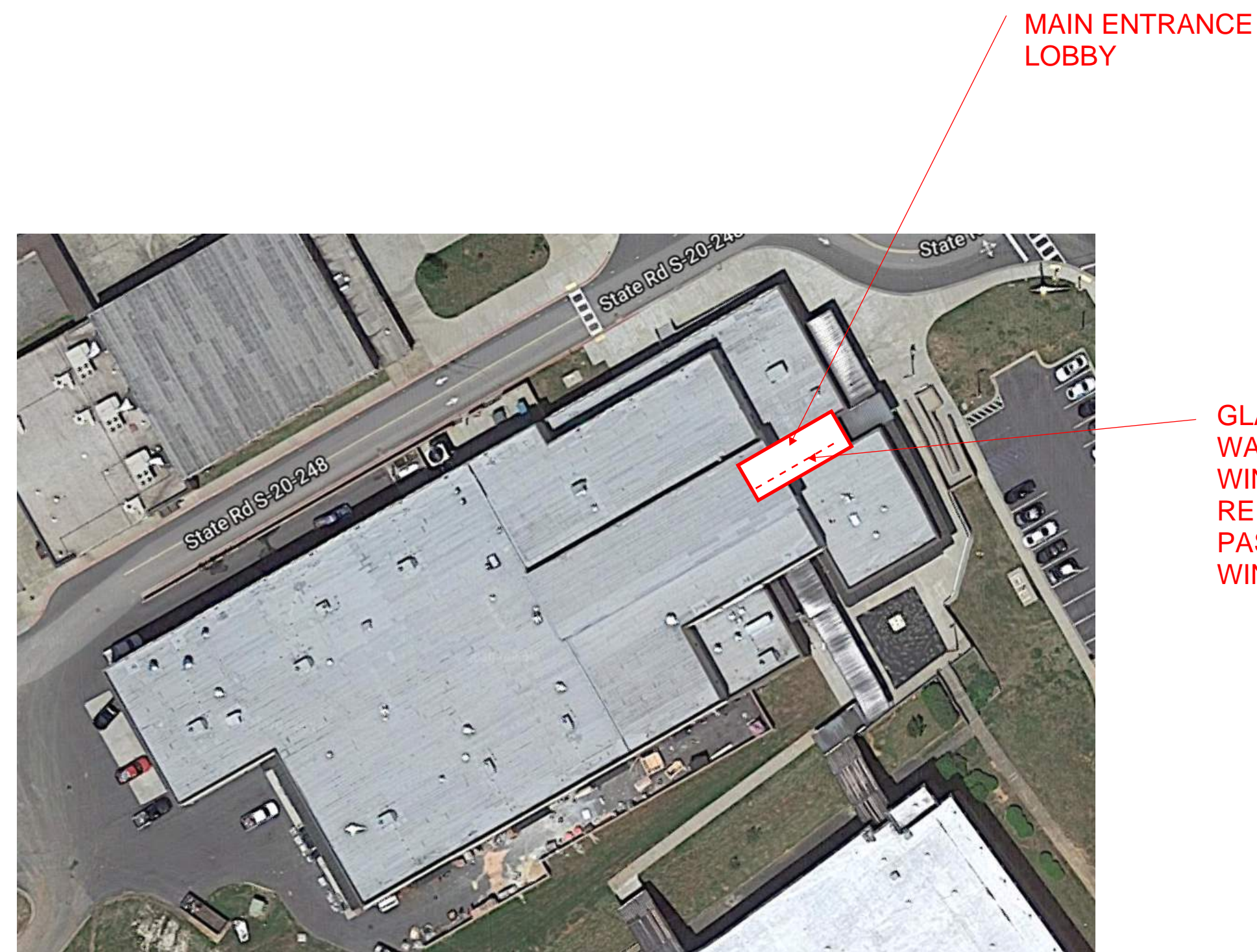
NO.	DATE	DESCRIPTION
A	07/16/2020	ISSUED FOR BIDS
B	07/24/2020	ADDENDUM 1

ITEM	DATE	BY
DESIGN	07/16/2020	MAG
DRAWN	07/16/2020	MAG
CHECKED	07/16/2020	MAG
APPR		
CLIENT APP		

**ENTRYWAY UPGRADES**

DivTech Project # 20-02

DWG	REVISION
<b>GA-3</b>	<b>B</b>



**FAIRFIELD CAREER & TECHNOLOGY CENTER**  
NOT TO SCALE

GLASS CURTAIN WALL (ONE WINDOW TO BE REPLACED BY PASS THROUGH WINDOW)



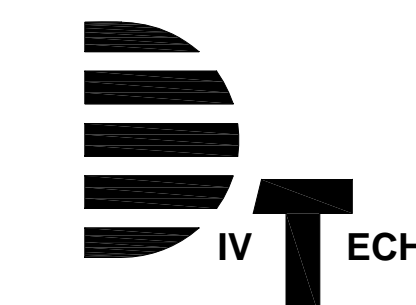
**CURTAIN WALL**

REMOVE GLASS AND INSTALL PASS THROUGH INSIDE EXISTING METAL FRAME

TOUCH UP PAINT ON EXISTING FRAME



INSTALL NEW NON RATED VERTICAL LIFT .25" TEMPERED SLIDING GLASS SINGLE HUNG STEEL PASS THROUGH, SERIES 925N W/ SUBFRAME KIT AS MFG BY FYRE TECH OR APPROVED EQUAL (REMOVE EXISTING GLASS, TURN OVER TO OWNER AND INSTALL PASS THROUGH INSIDE NOMINAL 36 3/4" W X 44 3/4" H OPENING IN EXISTING METAL FRAME, COLOR OF NEW FRAME TO BE SELECTED BY OWNER))



105 SILVER PINE CT  
GREER, SC 2950



**FAIRFIELD  
ELEMENTARY SCHOOL**  
175 MEDLEY ROAD  
WINNSBORO, SC 29180



**FAIRFIELD COUNTY  
SCHOOLDISTRICT**  
1226 US-321 BYP  
WINNSBORO, SC 29180

© 2020 DivTech

THIS DRAWING AND THE  
DESIGN THEREON ARE THE  
PROPERTY OF

DivTech

ANY REPRODUCTION OR UNAUTHORIZED USE  
THEREOF WITHOUT WRITTEN PERMISSION MAY  
BE SUBJECT TO LEGAL ACTION.

### REVISIONS

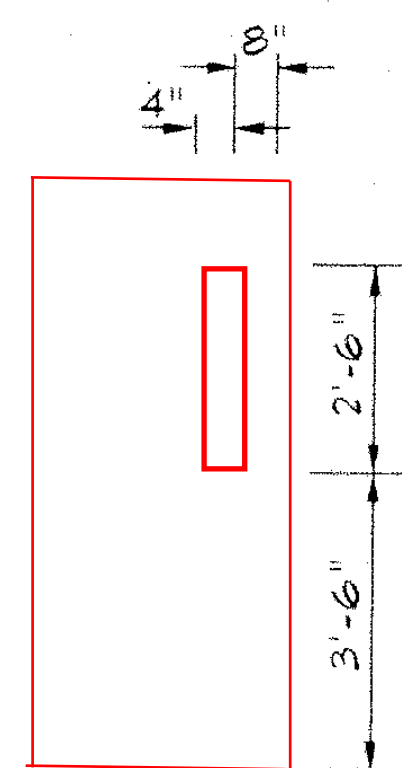
NO.	DATE	DESCRIPTION
A	07/16/2020	ISSUED FOR BIDS
B	07/24/2020	ADDENDUM 1

ITEM	DATE	BY
DESIGN	07/16/2020	MAG
DRAWN	07/16/2020	MAG
CHECKED	07/16/2020	MAG
APPR		
CLIENT APPR		

### ENTRYWAY UPGRADES

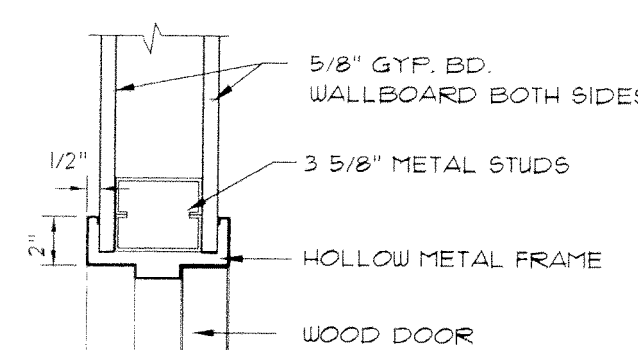
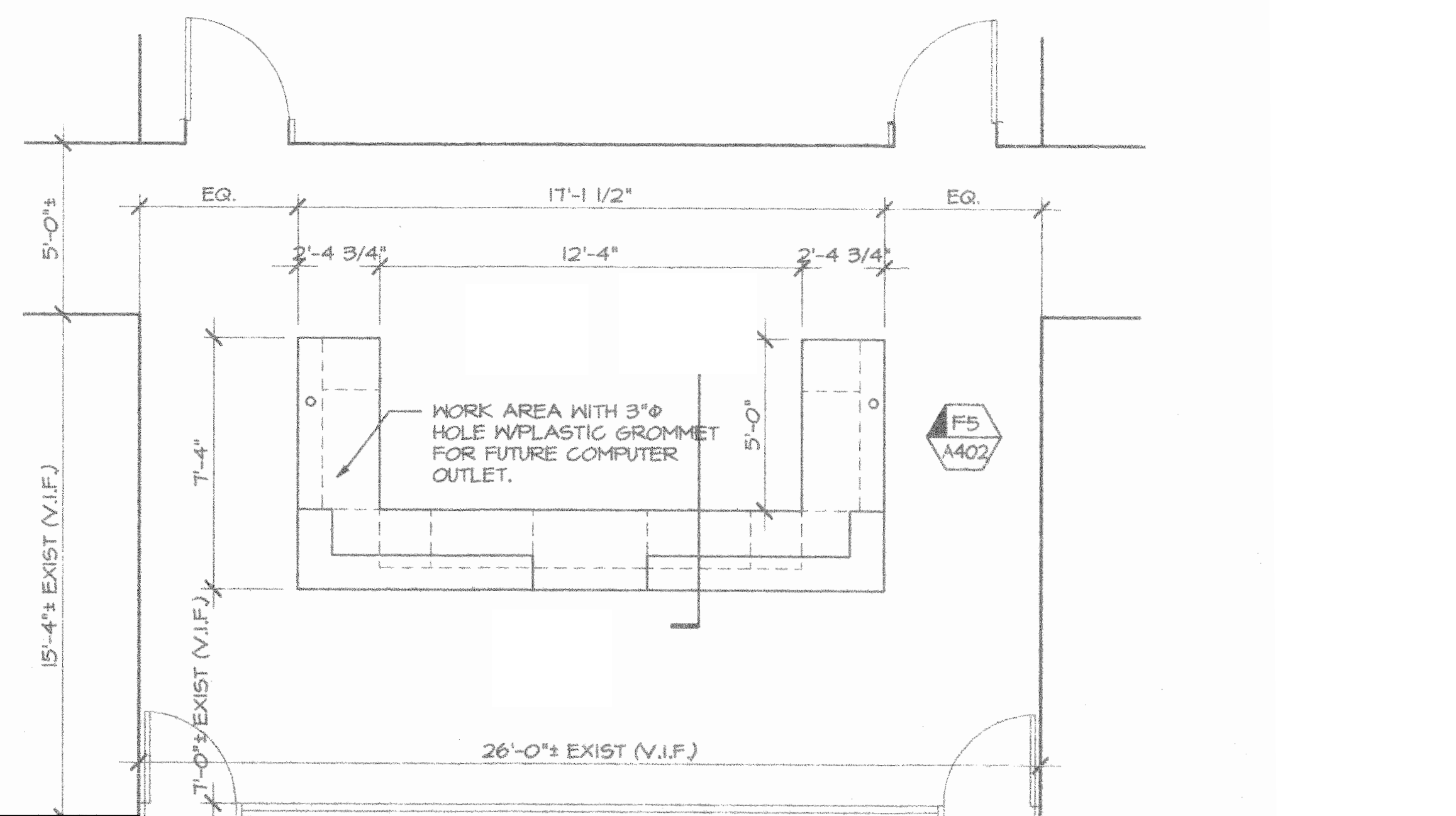
DivTech Project # 20-02

DWG GA-4 REVISION B

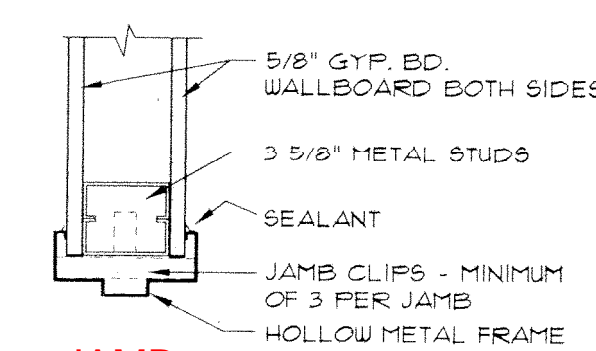


DOOR HARDWARE SHALL INCLUDE :  
LCN 4040XP DOOR CLOSER W/ HOLD OPEN  
CUSH-N-STOP ARM (HCUSH)  
4 1/2" HEAVY DUTY BALL BEARING SS HINGES,  
BOMMER OR EQUAL  
THRESHOLDS (NOT REQUIRED)  
CORBIN RUSWIN LOCK CYLINDERS THAT ARE RIM  
TYPE D2, 6 PIN  
HANDLES SHALL BE LEVER TYPE, FINISH  
SELECTED BY OWNER  
DOORS SHALL BE AS MANUFACTURED BY  
PIONEER, STEELCRAFT, KAWNEER OR APPROVED  
EQUAL

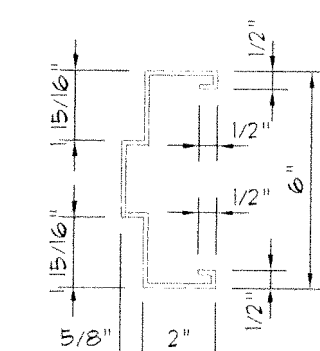
20 MIN RATED HM STEEL DOOR & FRAME  
(TO MATCH EXISTING)



HEAD

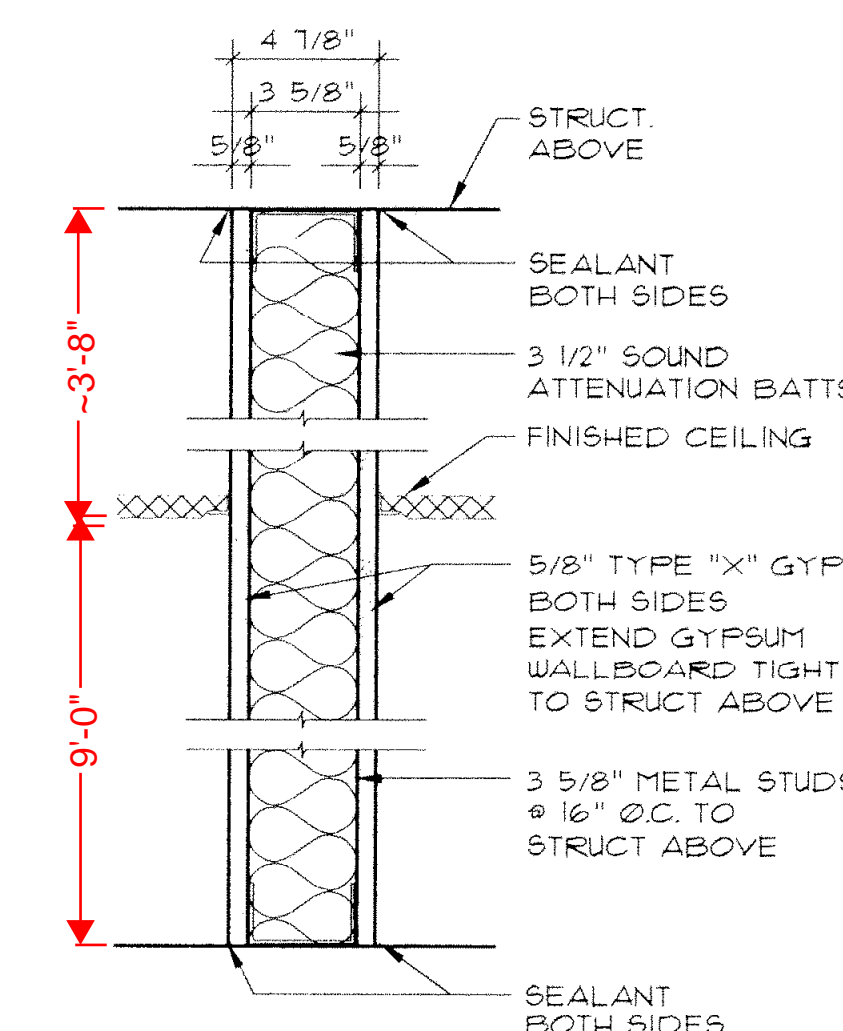
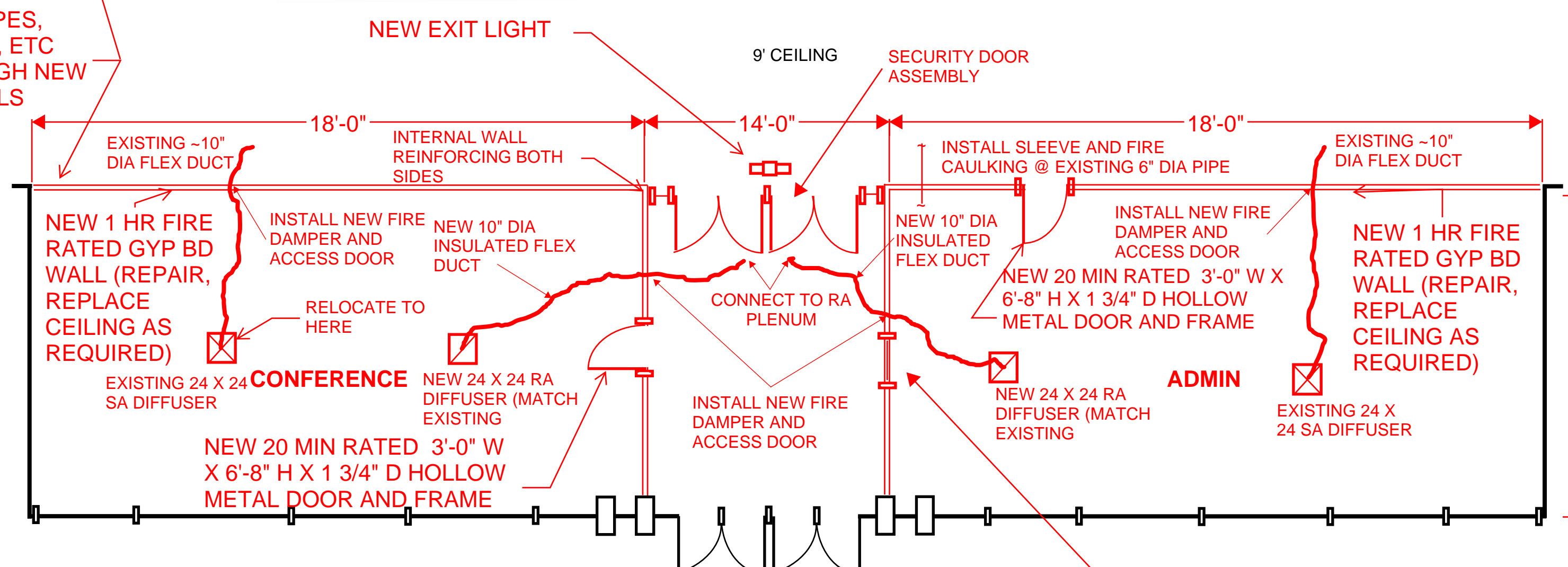


JAMB



FRAME

FIRESAFE ALL PIPES,  
CONDUIT, CABLE, ETC  
PASSING THROUGH NEW  
FIRE RATED WALLS



NEW 1 HR FIRE RATED GYP BD WALL  
PAINT ALL NEW GYP BD W/ 1 COAT OF PRIMER  
& 2 COATS SW DURATION, COLOR PER OWNER

INSTALL NEW NOMINAL 30" W X 44" H 60 MIN  
FIRE RATED VERTICAL LIFT GLASS PASS  
THROUGH, SERIES 925 FIRELITE PLUS W/  
SUBFRAME KIT AS MFG BY FYRE TECH OR  
APPROVED EQUAL (FRAME COLOR TO BE  
SELECTED BY OWNER) (INSTALL 38" AFF)

## FAIRFIELD ELEMENTARY SCHOOL

NOT TO SCALE

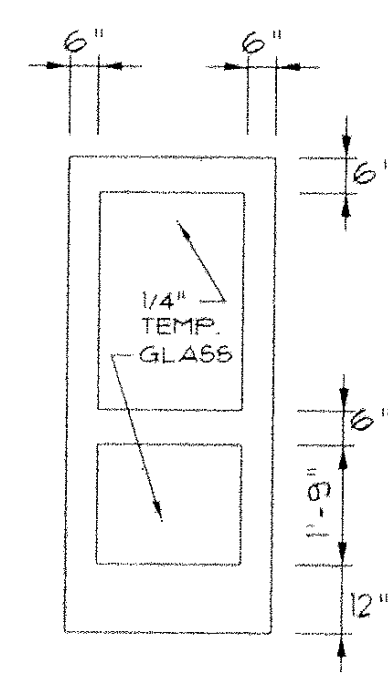
NEW 3'-0" X 6'-8" X 1 3/4" HOLLOW METAL STEEL  
SECURITY DOORS W/ LOCKING REMOVEABLE  
CENTER MULLION  
NOMINAL 7'-0" OVERALL ASSEMBLY HEIGHT  
ASSEMBLY FRAME NOMINAL 2" WIDE X 5" DEEP W/  
WELDED STEEL REINFORCED HEADER BRACING

(ELECTRIC STRIKE LOCK ON 1 RIGHT SIDE DOOR BY  
OWNER)

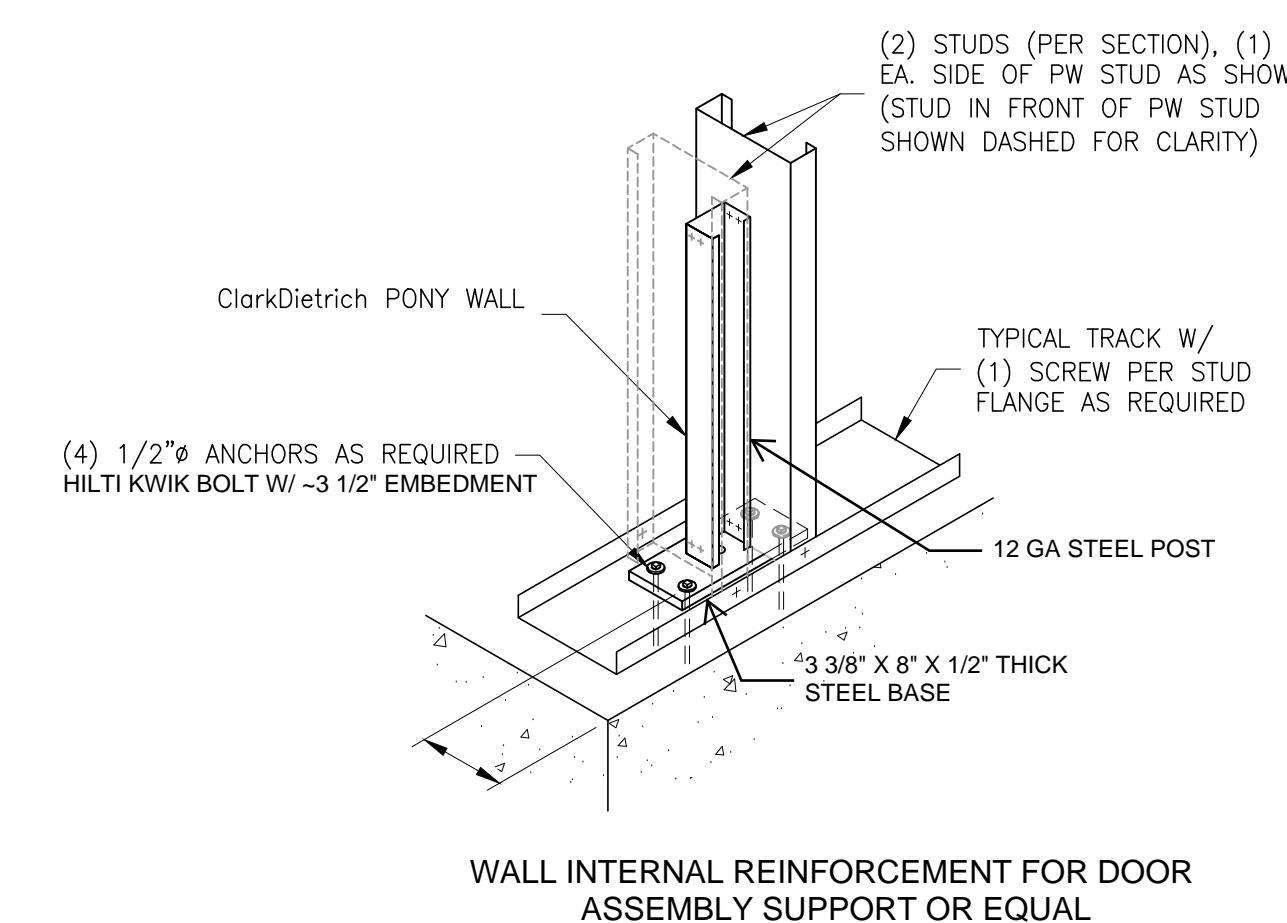
DOOR HARDWARE SHALL INCLUDE :  
VON DUPRIN 99 PANIC BAR  
LCN 4040XP DOOR CLOSER W/ HOLD OPEN  
CUSH-N-STOP ARM (HCUSH)  
4 1/2" HEAVY DUTY BALL BEARING SS HINGES,  
BOMMER OR EQUAL  
THRESHOLDS (NOT REQUIRED)  
CORBIN RUSWIN LOCK CYLINDERS THAT ARE RIM  
TYPE D2, 6 PIN  
HANDLES SHALL BE D SHAPE PULL TYPE W/  
ESCUTCHEON  
DOORS SHALL BE AS MANUFACTURED BY  
PIONEER, STEELCRAFT, KAWNEER OR APPROVED  
EQUAL



DOUBLE SECURITY DOOR ASSEMBLY  
(SIMILAR TO ABOVE)



LITHONIA LIGHTING EXR EL M6 120  
VOLT LED EXIT LIGHT W/ BATTERY  
BACKUP (CONNECT WIRING TO  
EXISTING EXIT LIGHT CIRCUIT)



WALL INTERNAL REINFORCEMENT FOR DOOR  
ASSEMBLY SUPPORT OR EQUAL



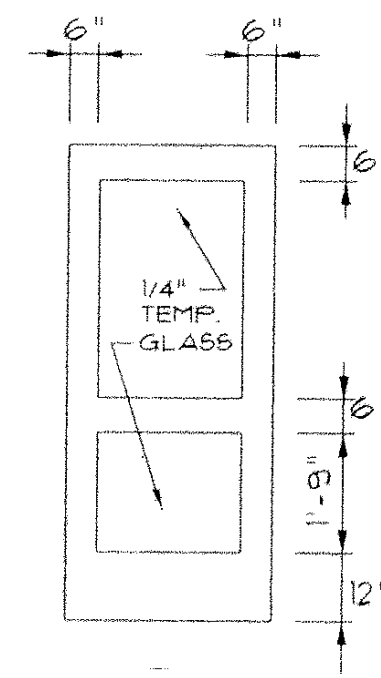
105 SILVER PINE CT  
GREER, SC 2950

NEW 3'-0" X 6'-8" X 1 3/4" HOLLOW METAL STEEL SECURITY DOORS W/ LOCKING REMOVEABLE CENTER MULLION  
NOMINAL 7'-0" OVERALL ASSEMBLY HEIGHT  
ASSEMBLY FRAME NOMINAL 2" WIDE X 5" DEEP W/ WELDED STEEL REINFORCED HEADER BRACING

DOOR HARDWARE SHALL INCLUDE :  
VON DUPRIN 99 PANIC BAR  
LCN 4040XP DOOR CLOSER W/ HOLD OPEN CUSH-N-STOP ARM (HCUSH)  
4 1/2" HEAVY DUTY BALL BEARING SS HINGES, BOMMER OR EQUAL  
THRESHOLDS (NOT REQUIRED)  
CORBIN RUSWIN LOCK CYLINDERS THAT ARE RIM TYPE D2, 6 PIN  
HANDLES SHALL BE D SHAPE PULL TYPE W/ ESCUTCHEON  
DOORS SHALL BE AS MANUFACTURED BY PIONEER, STEELCRAFT, KAWNEER OR APPROVED EQUAL



DOUBLE SECURITY DOOR ASSEMBLY (SIMILAR TO ABOVE)  
(COLOR TO BE SELECTED BY OWNER)



LITHONIA LIGHTING EXR EL M6 120 VOLT LED EXIT LIGHT W/ BATTERY BACKUP (CONNECT WIRING TO EXISTING EXIT LIGHT CIRCUIT)



**FAIRFIELD MAGNET SCHOOL FOR MATH & SCIENCE**

1647 US HWY 321 BY-PASS  
WINNSBORO, SC 29180



**FAIRFIELD COUNTY SCHOOLDISTRICT**

1226 US-321 BYP  
WINNSBORO, SC 29180

© 2020 DivTech

THIS DRAWING AND THE DESIGN THEREON ARE THE PROPERTY OF

DivTech

ANY REPRODUCTION OR UNAUTHORIZED USE THEREOF WITHOUT WRITTEN PERMISSION MAY BE SUBJECT TO LEGAL ACTION.

**REVISIONS**

NO.	DATE	DESCRIPTION
A	07/16/2020	ISSUED FOR BIDS
B	07/24/2020	ADDENDUM 1

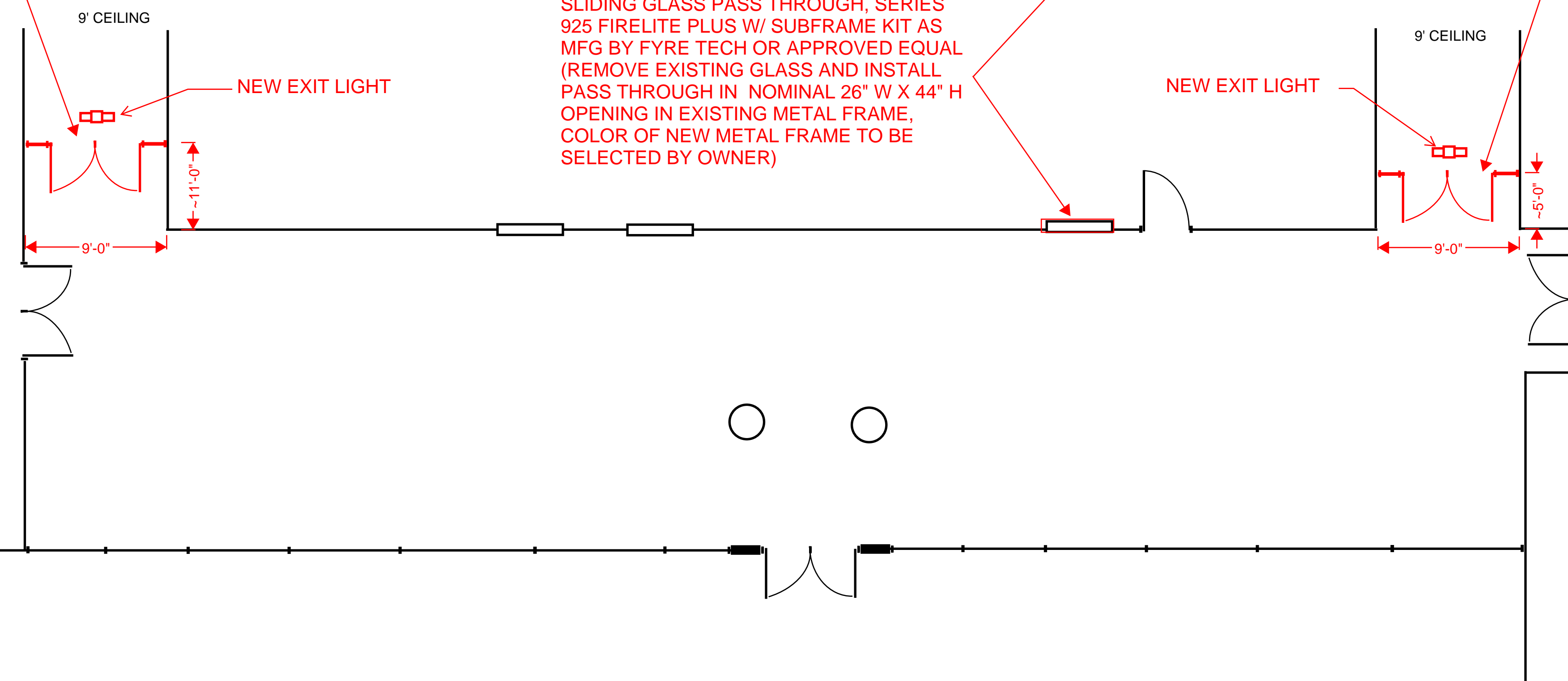
ITEM	DATE	BY
DESIGN	07/16/2020	MAG
DRAWN	07/16/2020	MAG
CHECKED	07/16/2020	MAG
APPR		
CLIENT APP		

**ENTRYWAY UPGRADES**

DivTech Project # 20-02

DWG	REVISION
<b>GA-5</b>	<b>B</b>

NEW DOUBLE SECURITY DOOR ASSEMBLY



INSTALL NEW 60 MIN FIRE RATED VERTICAL SLIDING GLASS PASS THROUGH, SERIES 925 FIRELITE PLUS W/ SUBFRAME KIT AS MFG BY FYRE TECH OR APPROVED EQUAL (REMOVE EXISTING GLASS AND INSTALL PASS THROUGH IN NOMINAL 26" W X 44" H OPENING IN EXISTING METAL FRAME, COLOR OF NEW METAL FRAME TO BE SELECTED BY OWNER)

**FAIRFIELD MAGNET SCHOOL FOR MATH AND SCIENCE**  
NOT TO SCALE



105 SILVER PINE CT  
GREER, SC 2950



**FAIRFIELD MIDDLE SCHOOL**  
728 US HWY 321 BY-PASS  
WINNSBORO, SC 29180



**FAIRFIELD COUNTY SCHOOLDISTRICT**  
1226 US-321 BYP  
WINNSBORO, SC 29180

© 2020 DivTech

THIS DRAWING AND THE DESIGN THEREON ARE THE PROPERTY OF

DivTech

ANY REPRODUCTION OR UNAUTHORIZED USE THEREOF WITHOUT WRITTEN PERMISSION MAY BE SUBJECT TO LEGAL ACTION.

**REVISIONS**

NO.	DATE	DESCRIPTION
A	07/16/2020	ISSUED FOR BIDS
B	07/24/2020	ADDENDUM 1

ITEM	DATE	BY
DESIGN	07/16/2020	MAG
DRAWN	07/16/2020	MAG
CHECKED	07/16/2020	MAG
APPR		
CLIENT APPR		

**ENTRYWAY UPGRADES**

DivTech Project # 20-02

DWG	REVISION
<b>GA-6</b>	<b>B</b>



LITHONIA LIGHTING EXR EL M6 120 VOLT LED EXIT LIGHT W/ BATTERY BACKUP (CONNECT WIRING TO EXISTING EXIT LIGHT CIRCUIT)

INSTALL NEW NON RATED VERTICAL LIFT .25" TEMPERED SLIDING GLASS SINGLE HUNG STEEL PASS THROUGH, SERIES 925N W/ SUBFRAME KIT AS MFG BY FYRE TECH OR APPROVED EQUAL (REMOVE EXISTING GLASS, TURN OVER TO OWNER AND INSTALL PASS THROUGH INSIDE NOMINAL 28 3/4" W X 40 1/2" H OPENING IN EXISTING METAL FRAME, COLOR OF NEW FRAME TO BE SELECTED BY OWNER))

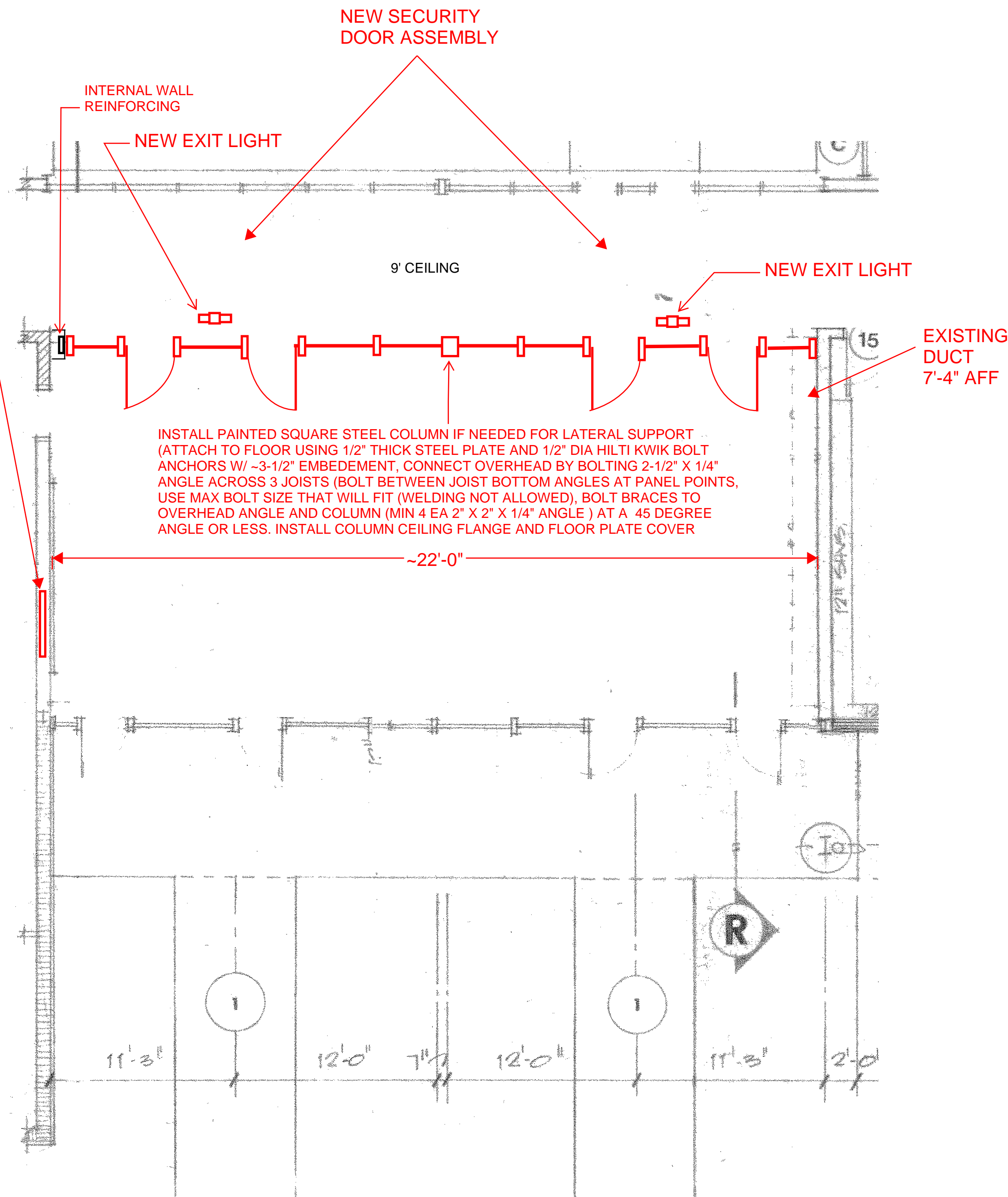
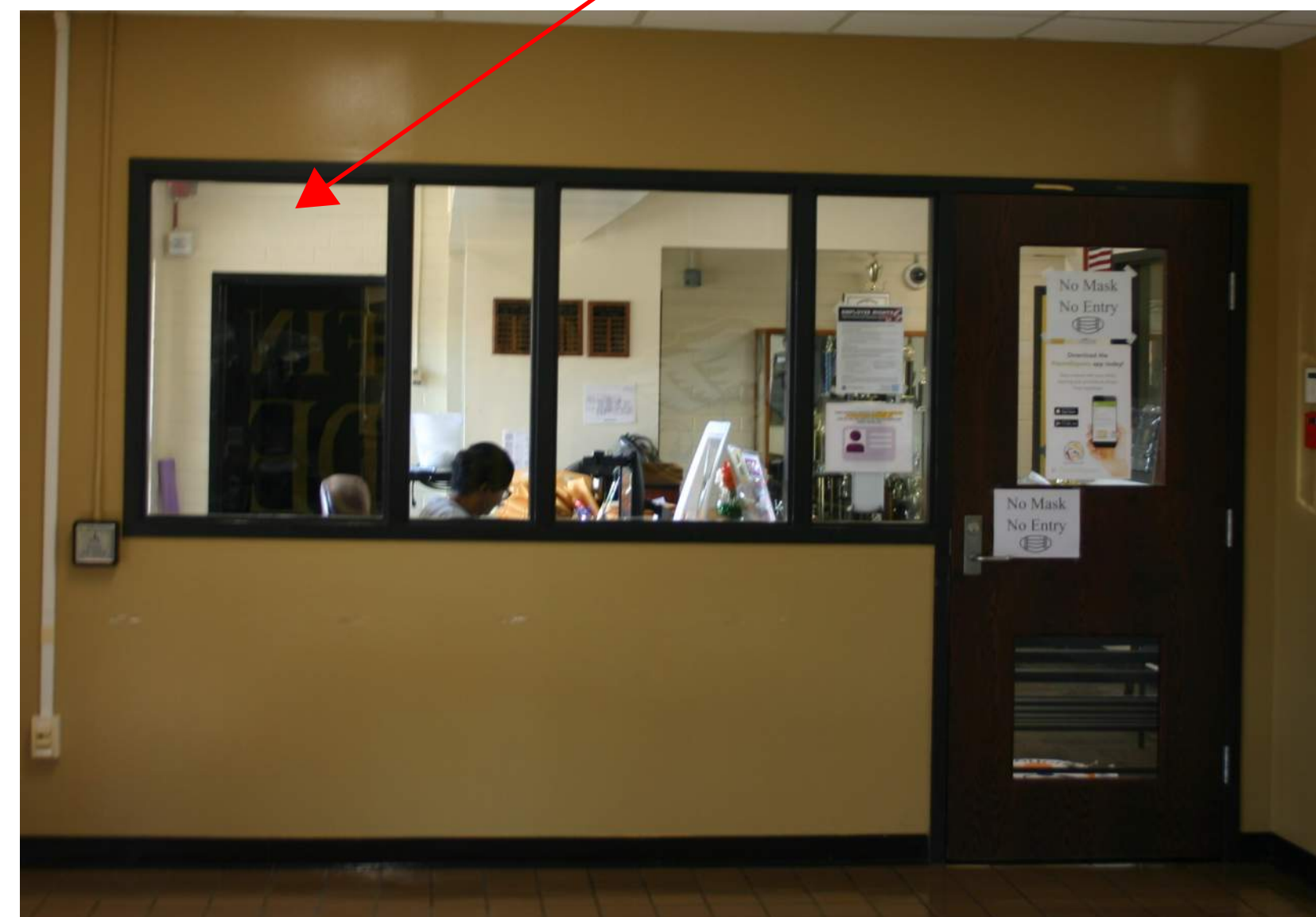
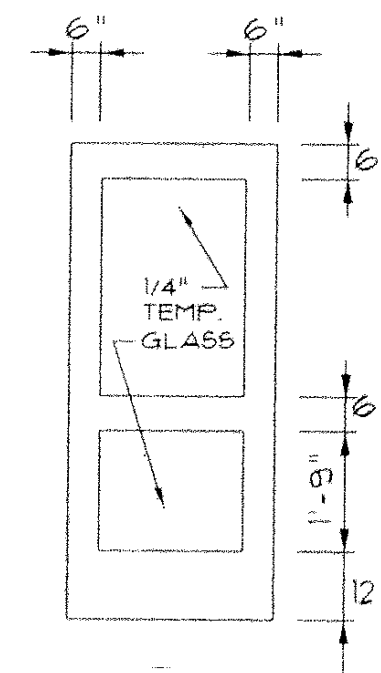
NEW 3'-0" X 6'-8" X 1 3/4" HOLLOW METAL STEEL SECURITY DOORS W/ LOCKING REMOVEABLE CENTER MULLION  
NOMINAL 7'-0" OVERALL ASSEMBLY HEIGHT  
ASSEMBLY FRAME NOMINAL 2" WIDE X 5" DEEP W/ WELDED STEEL REINFORCED HEADER BRACING

(ELECTRIC STRIKE LOCK ON 1 RIGHT SIDE DOOR BY OWNER)

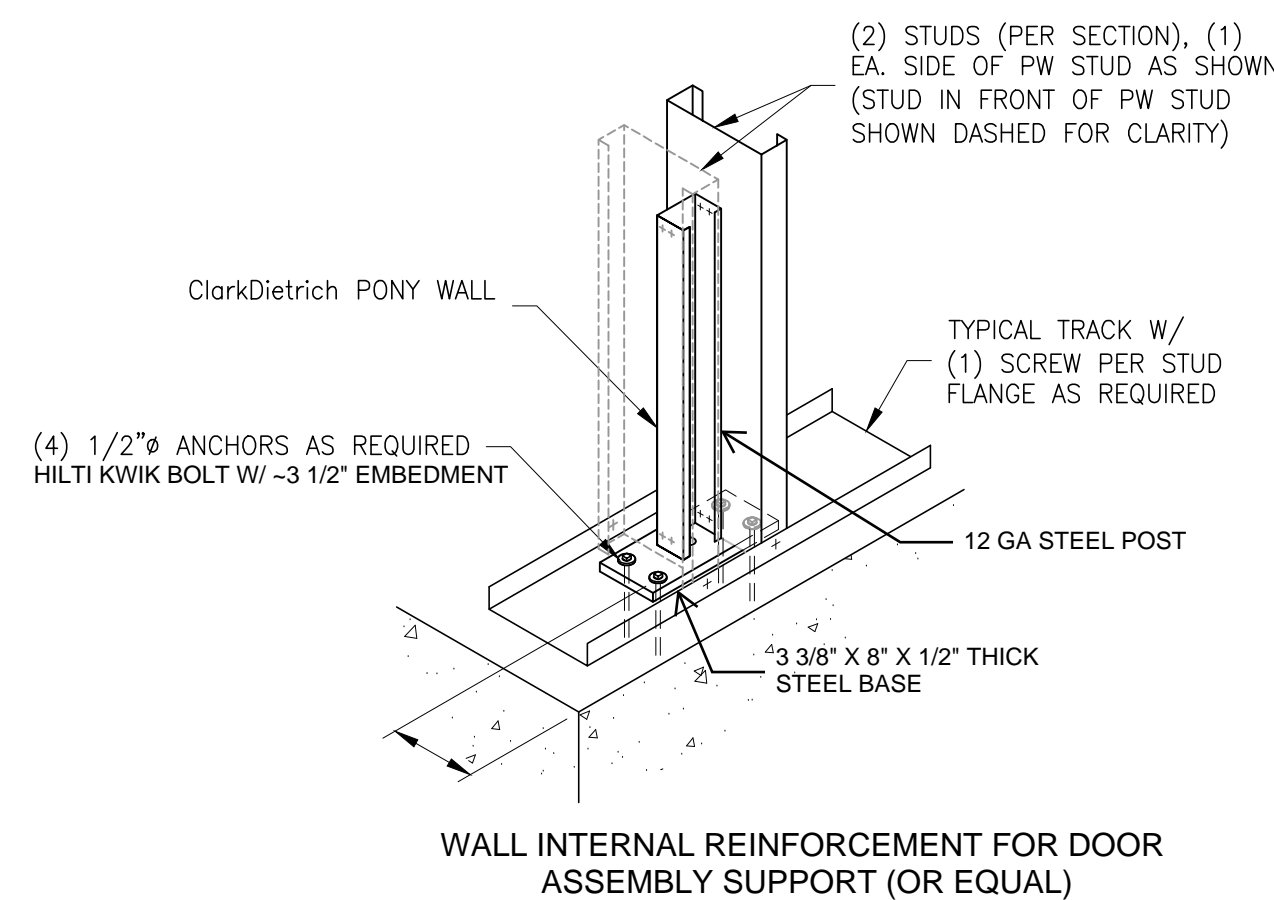
DOOR HARDWARE SHALL INCLUDE :  
VON DUPRIN 99 PANIC BAR  
LCN 4040XP DOOR CLOSER W/ HOLD OPEN CUSH-N-STOP ARM (HCUSH)  
4 1/2" HEAVY DUTY BALL BEARING SS HINGES, BOMMER OR EQUAL  
THRESHOLDS (NOT REQUIRED)  
CORBIN RUSWIN LOCK CYLINDERS THAT ARE RIM TYPE D2, 6 PIN  
HANDLES SHALL BE D SHAPE PULL TYPE W/ ESCUTCHEON  
DOORS SHALL BE AS MANUFACTURED BY PIONEER, STEELCRAFT, KAWNEER OR APPROVED EQUAL



NEW DOUBLE SECURITY DOOR ASSEMBLY (SIMILAR TO ABOVE) (COLOR TO BE SELECTED BY OWNER)



**FAIRFIELD MIDDLE SCHOOL**  
NOT TO SCALE





105 SILVER PINE CT  
GREER, SC 29550



**GEIGER ELEMENTARY SCHOOL**  
150 TM COOK LANE  
RIDGWAY, SC 29130



**FAIRFIELD COUNTY SCHOOLDISTRICT**  
1226 US-321 BYP  
WINNSBORO, SC 29180

© 2020 DivTech

THIS DRAWING AND THE DESIGN THEREON ARE THE PROPERTY OF

DivTech

ANY REPRODUCTION OR UNAUTHORIZED USE THEREOF WITHOUT WRITTEN PERMISSION MAY BE SUBJECT TO LEGAL ACTION.

**REVISIONS**

NO.	DATE	DESCRIPTION
A	07/16/2020	ISSUED FOR BIDS
B	07/24/2020	ADDENDUM 1

ITEM	DATE	BY
DESIGN	07/16/2020	MAG
DRAWN	07/16/2020	MAG
CHECKED	07/16/2020	MAG
APPR		
CLIENT APPR		

**ENTRYWAY UPGRADES**

DivTech Project # 20-02

DWG	REVISION
<b>GA-7</b>	<b>B</b>

NEW 3'-0" X 6'-8" X 1 3/4" HOLLOW METAL STEEL SECURITY DOORS W/ LOCKING REMOVEABLE CENTER MULLION  
NOMINAL 7'-0" OVERALL ASSEMBLY HEIGHT  
ASSEMBLY FRAME NOMINAL 2" WIDE X 5" DEEP W/ WELDED STEEL REINFORCED HEADER BRACING

(ELECTRIC STRIKE LOCK ON RIGHT SIDE DOOR BY OWNER)

DOOR HARDWARE SHALL INCLUDE :  
VON DUPRIN 99 PANIC BAR  
LCN 4040XP DOOR CLOSER W/ HOLD OPEN CUSH-N-STOP ARM (HCUSH)  
4 1/2" HEAVY DUTY BALL BEARING SS HINGES, BOMMER OR EQUAL  
THRESHOLDS (NOT REQUIRED)  
CORBIN RUSWIN LOCK CYLINDERS THAT ARE RIM TYPE D2, 6 PIN  
HANDLES SHALL BE D SHAPE PULL TYPE W/ ESCUTCHEON  
DOORS SHALL BE AS MANUFACTURED BY PIONEER, STEELCRAFT, KAWNEER OR APPROVED EQUAL



NEW DOUBLE SECURITY DOOR ASSEMBLY (SIMILAR TO ABOVE)  
(COLOR TO BE SELECTED BY OWNER)



LITHONIA LIGHTING EXR EL M6 120 VOLT LED EXIT LIGHT W/ BATTERY BACKUP (CONNECT WIRING TO EXISTING EXIT LIGHT CIRCUIT)

REPAINT BOTH SIDES OF EXISTING FRAME WITH 2 COATS OF SW DURATION GLOSS, COLOR SELECTED BY OWNER

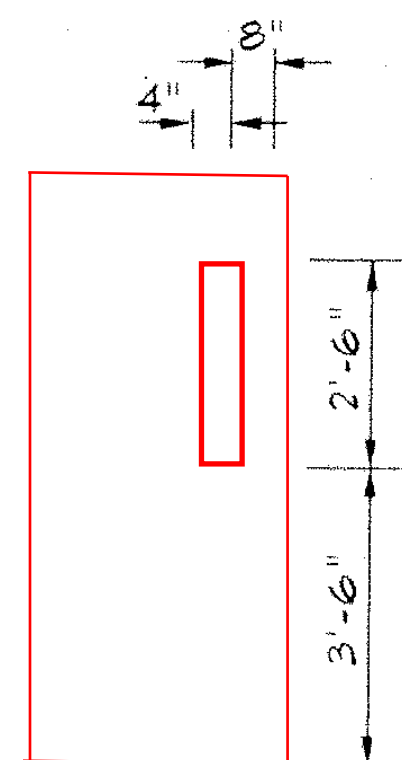
MODIFY FRAME AS REQUIRED TO ACCEPT NEW GLASS

REMOVE 3' WIDE DOOR & INSTALL NEW CLEAR 60 MIN FIRE RATED CERAMIC GLASS IN OPENINGS

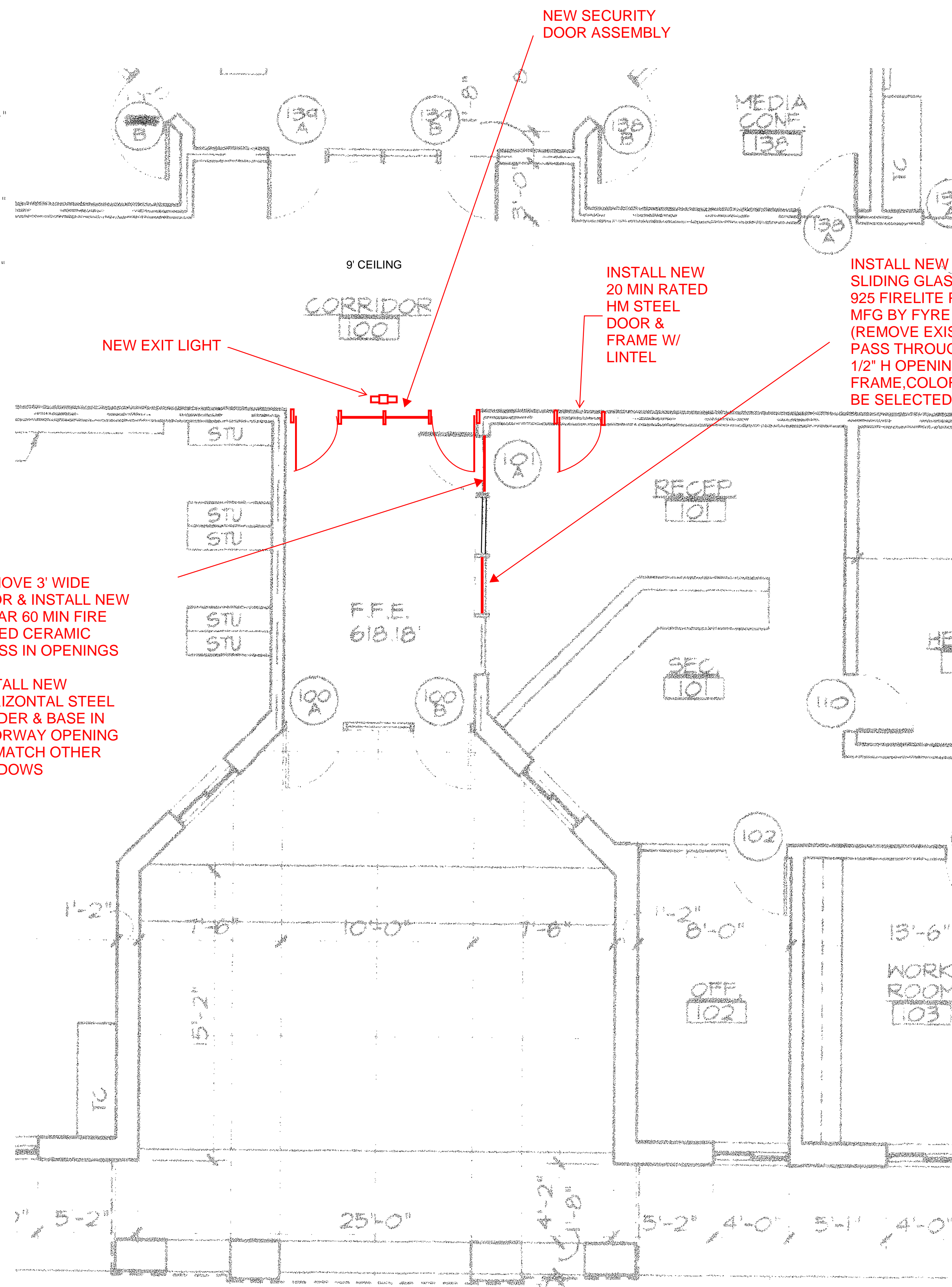
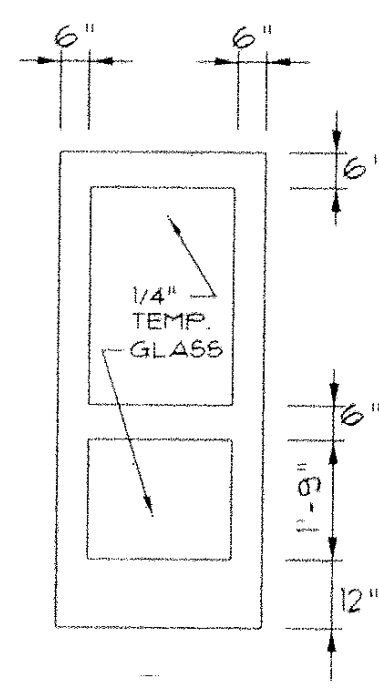
INSTALL NEW HORIZONTAL STEEL DIVIDER & BASE IN DOORWAY OPENING TO MATCH OTHER WINDOWS



DOOR HARDWARE & FINISH TO MATCH EXISTING



20 MIN RATED HM STEEL DOOR & FRAME (TO MATCH EXISTING)



**GEIGER ELEMENTARY SCHOOL**  
NOT TO SCALE



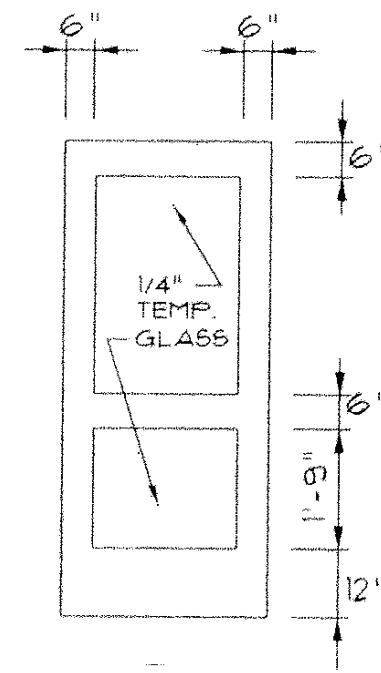
NEW 3'-0" X 6'-8" X 1 3/4" HOLLOW METAL STEEL SECURITY DOORS W/ LOCKING REMOVEABLE CENTER MULLION  
 NOMINAL 7'-0" OVERALL ASSEMBLY HEIGHT  
 ASSEMBLY FRAME NOMINAL 2" WIDE X 5" DEEP W/ WELDED STEEL REINFORCED HEADER BRACING

(ELECTRIC STRIKE LOCK ON RIGHT SIDE DOOR BY OWNER)

DOOR HARDWARE SHALL INCLUDE :  
 VON DUPRIN 99 PANIC BAR  
 LCN 4040XP DOOR CLOSER W/ HOLD OPEN  
 CUSH-N-STOP ARM (HCUSH)  
 4 1/2" HEAVY DUTY BALL BEARING SS HINGES, BOMMER OR EQUAL  
 THRESHOLDS (NOT REQUIRED)  
 CORBIN RUSWIN LOCK CYLINDERS THAT ARE RIM TYPE D2, 6 PIN  
 HANDLES SHALL BE D SHAPE PULL TYPE W/ ESCUTCHEON  
 DOORS SHALL BE AS MANUFACTURED BY PIONEER, STEELCRAFT, KAWNEER OR APPROVED EQUAL



NEW DOUBLE SECURITY DOOR ASSEMBLY (SIMILAR TO ABOVE)  
 (COLOR TO BE SELECTED BY OWNER)

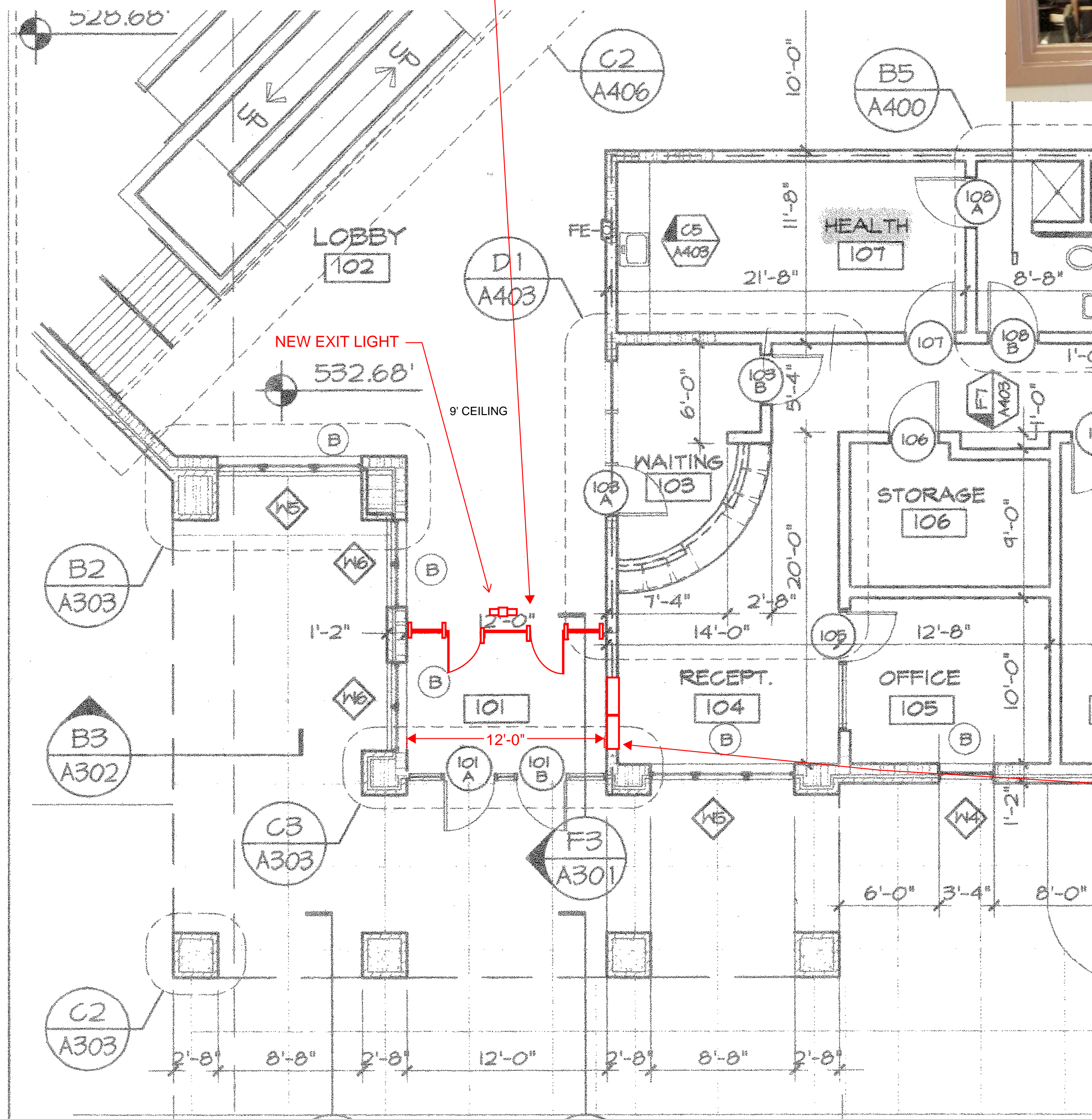


LITHONIA LIGHTING EXR EL M6 120 VOLT LED EXIT LIGHT W/ BATTERY BACKUP (CONNECT WIRING TO EXISTING EXIT LIGHT CIRCUIT)

REPAINT BOTH SIDES OF EXISTING FRAME WITH 2 COATS OF SW DURATION GLOSS TO MATCH NEW PASS THROUGH FRAME COLOR



NEW SECURITY DOOR ASSEMBLY



INSTALL NEW 60 MIN FIRE RATED VERTICAL SLIDING GLASS PASS THROUGH, SERIES 925 FIRELITE PLUS W/ SUBFRAME KIT AS MFG BY FYRE TECH OR APPROVED EQUAL (REMOVE EXISTING GLASS AND INSTALL PASS THROUGH INSIDE NOMINAL 19 1/2" W X 26 1/2" H OPENING IN EXISTING METAL FRAME, COLOR OF NEW METAL FRAME TO BE SELECTED BY OWNER)

**KELLY MILLER ELEMENTARY SCHOOL**  
 NOT TO SCALE



105 SILVER PINE CT  
 GREER, SC 29550



**KELLY MILLER ELEMENTARY SCHOOL**  
 255 KELLY MILLER ROAD  
 WINNSBORO, SC 29180



**FAIRFIELD COUNTY SCHOOLDISTRICT**  
 1226 US-321 BYP  
 WINNSBORO, SC 29180

© 2020 DivTech

THIS DRAWING AND THE DESIGN THEREON ARE THE PROPERTY OF

DivTech

ANY REPRODUCTION OR UNAUTHORIZED USE THEREOF WITHOUT WRITTEN PERMISSION MAY BE SUBJECT TO LEGAL ACTION.

**REVISIONS**

NO.	DATE	DESCRIPTION
A	07/16/2020	ISSUED FOR BIDS
B	07/24/2020	ADDENDUM 1

ITEM	DATE	BY
DESIGN	07/16/2020	MAG
DRAWN	07/16/2020	MAG
CHECKED	07/16/2020	MAG
APPR		
CLIENT APP		

**ENTRYWAY UPGRADES**

DivTech Project # 20-02

DWG	REVISION
<b>GA-8</b>	<b>B</b>



LITHONIA LIGHTING EXR EL M6 120 VOLT LED EXIT LIGHT W/ BATTERY BACKUP (CONNECT WIRING TO EXISTING EXIT LIGHT CIRCUIT)

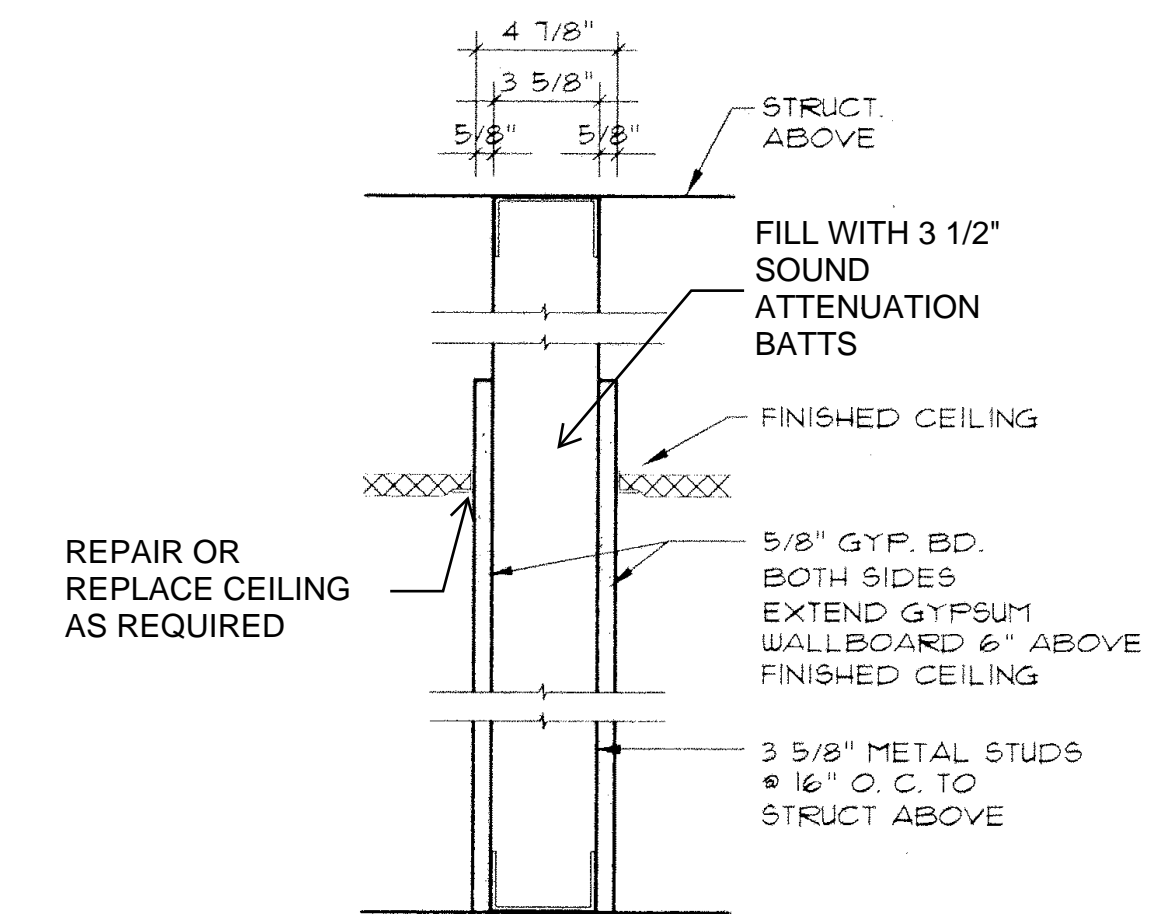
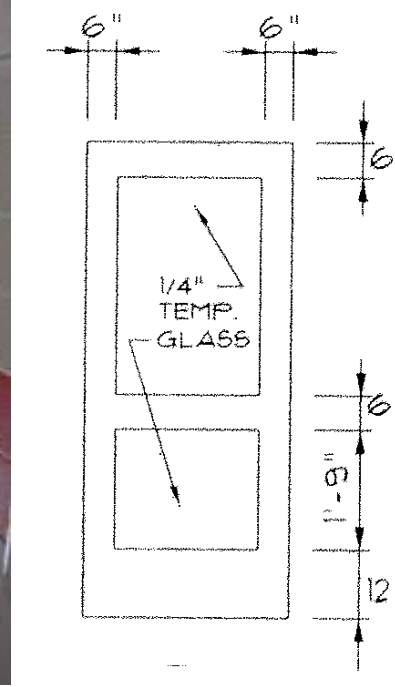
NEW 3'-0" X 6'-8" X 1 3/4" HOLLOW METAL STEEL SECURITY DOORS W/ LOCKING REMOVEABLE CENTER MULLION  
 NOMINAL 7'-0" OVERALL ASSEMBLY HEIGHT  
 ASSEMBLY FRAME NOMINAL 2" WIDE X 5" DEEP W/ WELDED STEEL REINFORCED HEADER BRACING

(ELECTRIC STRIKE LOCK ON RIGHT SIDE DOOR BY OWNER)

DOOR HARDWARE SHALL INCLUDE :  
 VON DUPRIN 99 PANIC BAR  
 LCN 4040XP DOOR CLOSER W/ HOLD OPEN CUSH-N-STOP ARM (HCUSH)  
 4 1/2" HEAVY DUTY BALL BEARING SS HINGES, BOMMER OR EQUAL  
 THRESHOLDS (NOT REQUIRED)  
 CORBIN RUSWIN LOCK CYLINDERS THAT ARE RIM TYPE D2, 6 PIN  
 HANDLES SHALL BE D SHAPE PULL TYPE W/ ESCUTCHEON  
 DOORS SHALL BE AS MANUFACTURED BY PIONEER, STEELCRAFT, KAWNEER OR APPROVED EQUAL



NEW DOUBLE SECURITY DOOR ASSEMBLY (SIMILAR TO ABOVE) (COLOR TO BE SELECTED BY OWNER)



NEW GYP BD WALL



McCROREY-LISTON SCHOOL OF TECHNOLOGY  
 1978 STATE HWY 215  
 BLAIR, SC 29015



FAIRFIELD COUNTY SCHOOLDISTRICT  
 1226 US-321 BYP  
 WINNSBORO, SC 29180

© 2020 DivTech  
 THIS DRAWING AND THE DESIGN THEREON ARE THE PROPERTY OF  
 DivTech  
 ANY REPRODUCTION OR UNAUTHORIZED USE THEREOF WITHOUT WRITTEN PERMISSION MAY BE SUBJECT TO LEGAL ACTION.

REVISIONS

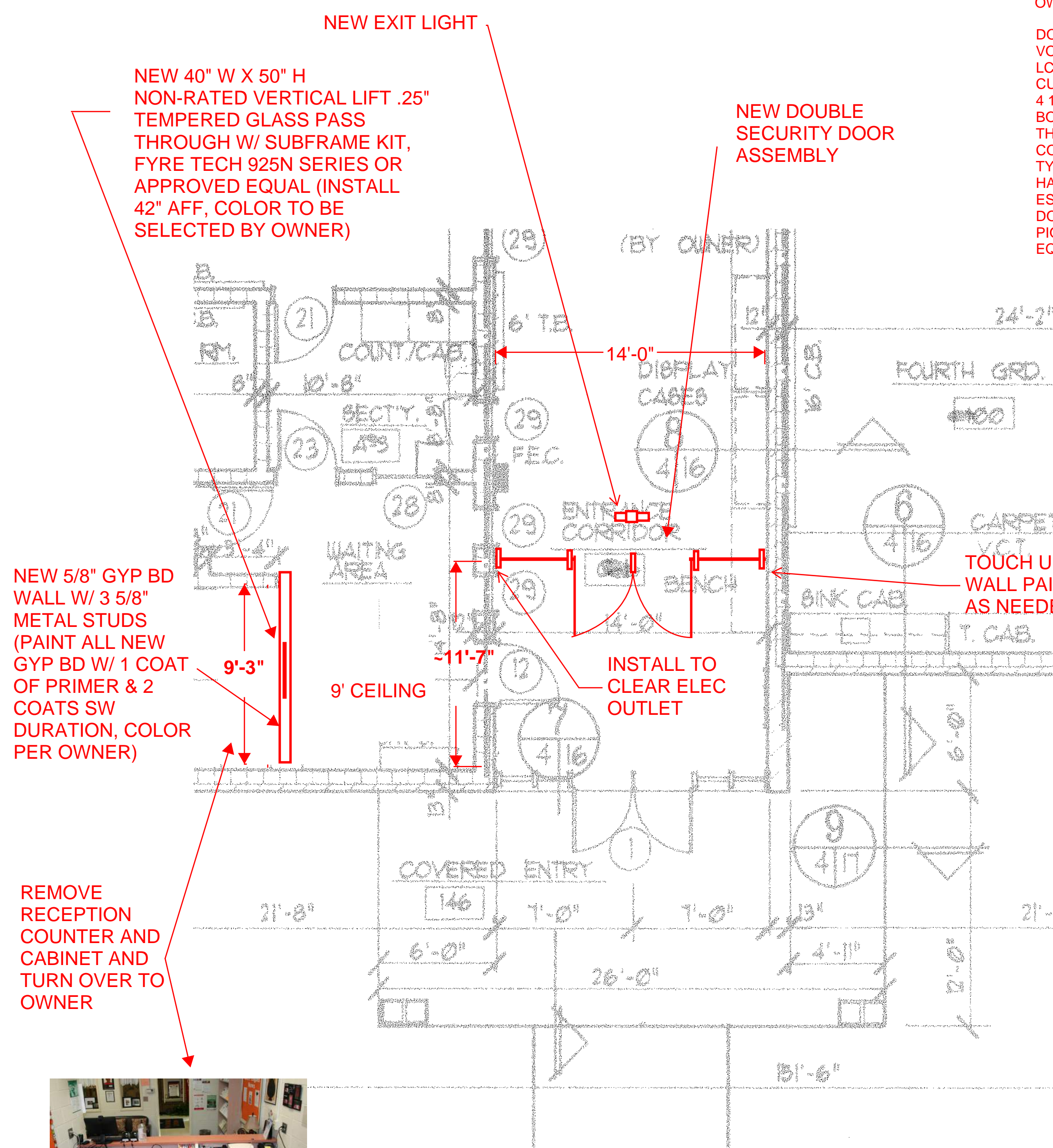
NO.	DATE	DESCRIPTION
A	07/16/2020	ISSUED FOR BIDS
B	07/24/2020	ADDENDUM 1

ITEM	DATE	BY
DESIGN	07/16/2020	MAG
DRAWN	07/16/2020	MAG
CHECKED	07/16/2020	MAG
APPR		
CLIENT APPR		

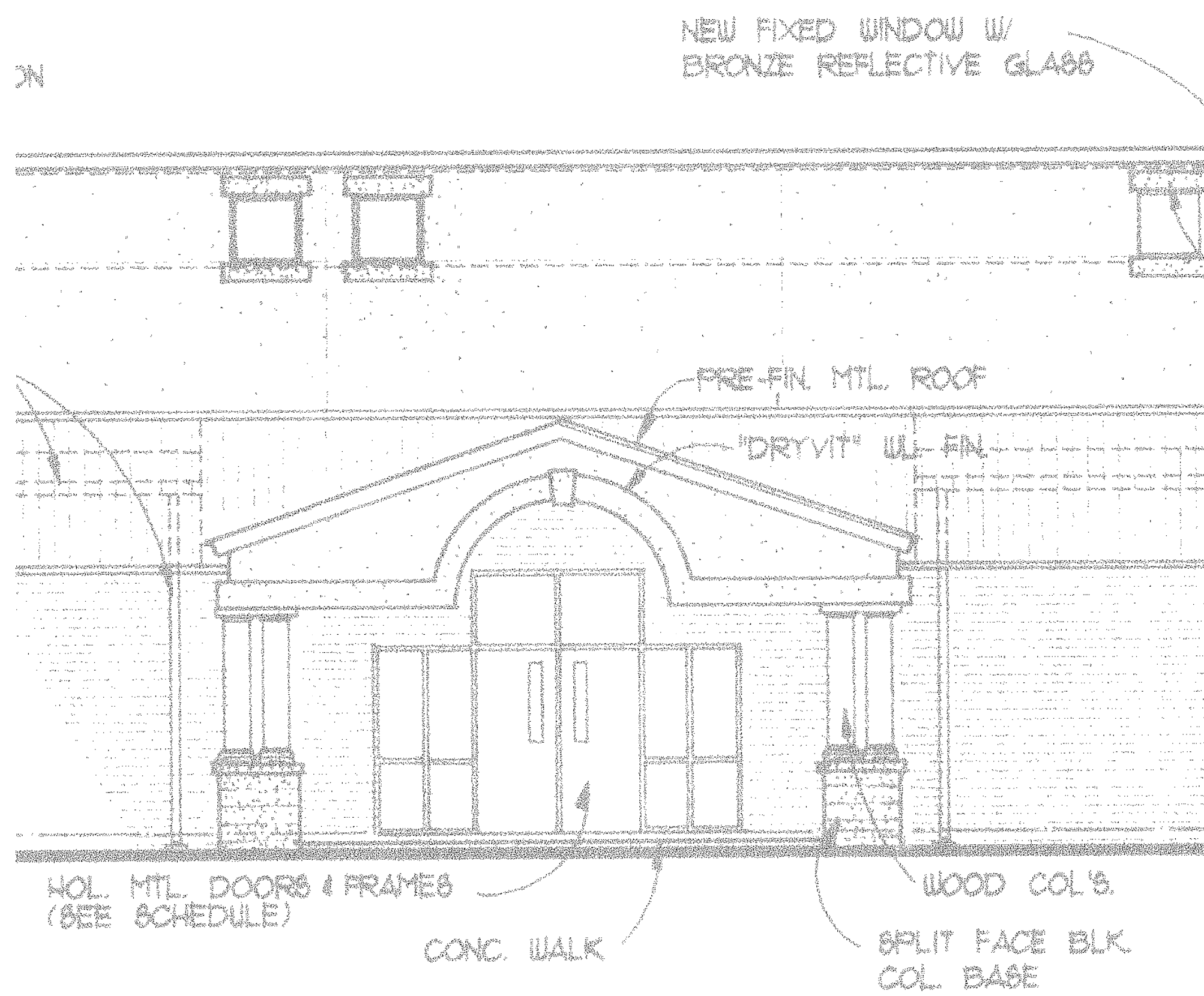
ENTRYWAY UPGRADES

DivTech Project # 20-02

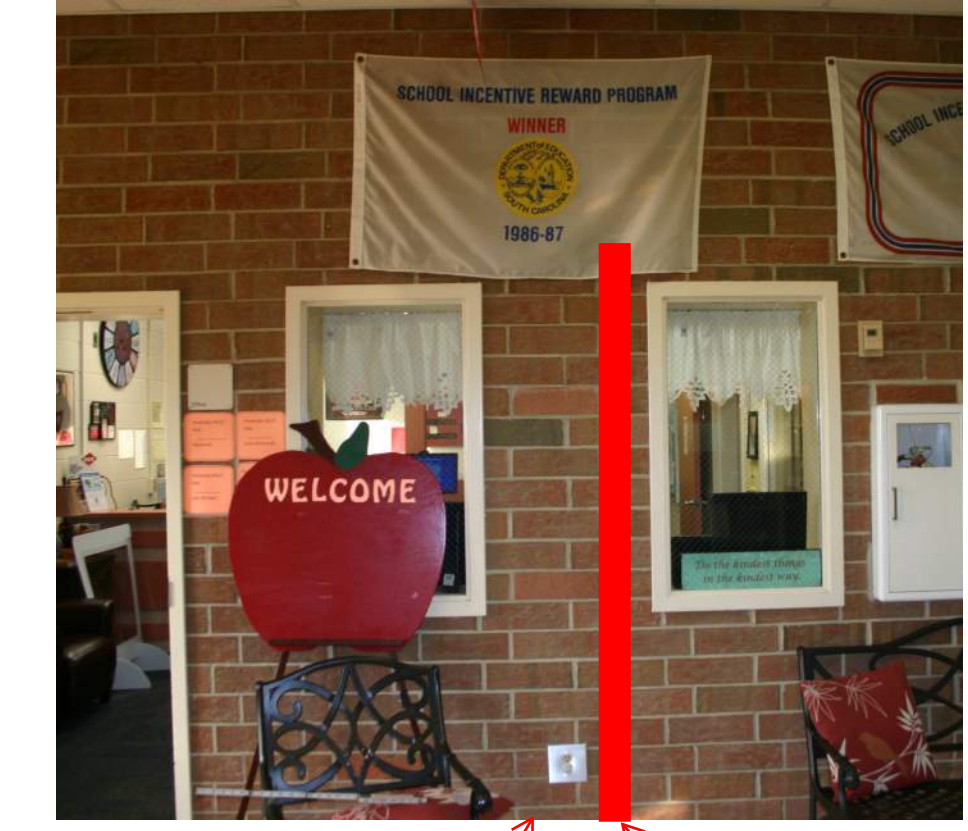
DWG	REVISION
<b>GA-9</b>	<b>B</b>



ENTRANCE PLAN



FRONT ENTRANCE

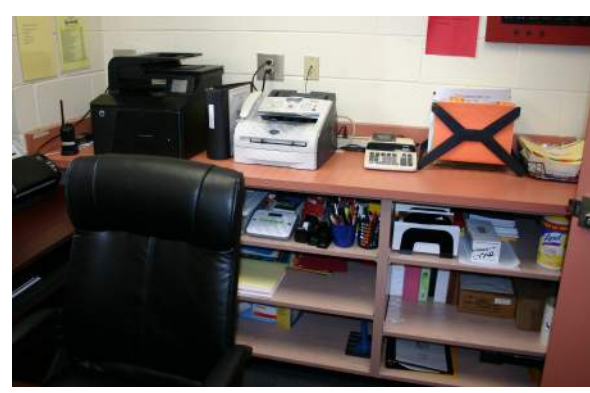


INSTALL TO CLEAR ELEC OUTLET  
 NEW DOOR ASSEMBLY

McCROREY-LISTON SCHOOL OF TECHNOLOGY  
 NOT TO SCALE



RECEPTION COUNTER



CABINET

NEW 5/8" GYP BD WALL W/ 3 5/8" METAL STUDS (PAINT ALL NEW GYP BD W/ 1 COAT OF PRIMER & 2 COATS SW DURATION, COLOR PER OWNER)

REMOVE RECEPTION COUNTER AND CABINET AND TURN OVER TO OWNER

NEW EXIT LIGHT  
 NEW 40" W X 50" H NON-RATED VERTICAL LIFT .25" TEMPERED GLASS PASS THROUGH W/ SUBFRAME KIT, FYRE TECH 925N SERIES OR APPROVED EQUAL (INSTALL 42" AFF, COLOR TO BE SELECTED BY OWNER)

NEW DOUBLE SECURITY DOOR ASSEMBLY

TOUCH UP WALL PAINT AS NEEDED

INSTALL TO CLEAR ELEC OUTLET

NEW FIXED WINDOW W/ BRONZE REFLECTIVE GLASS