

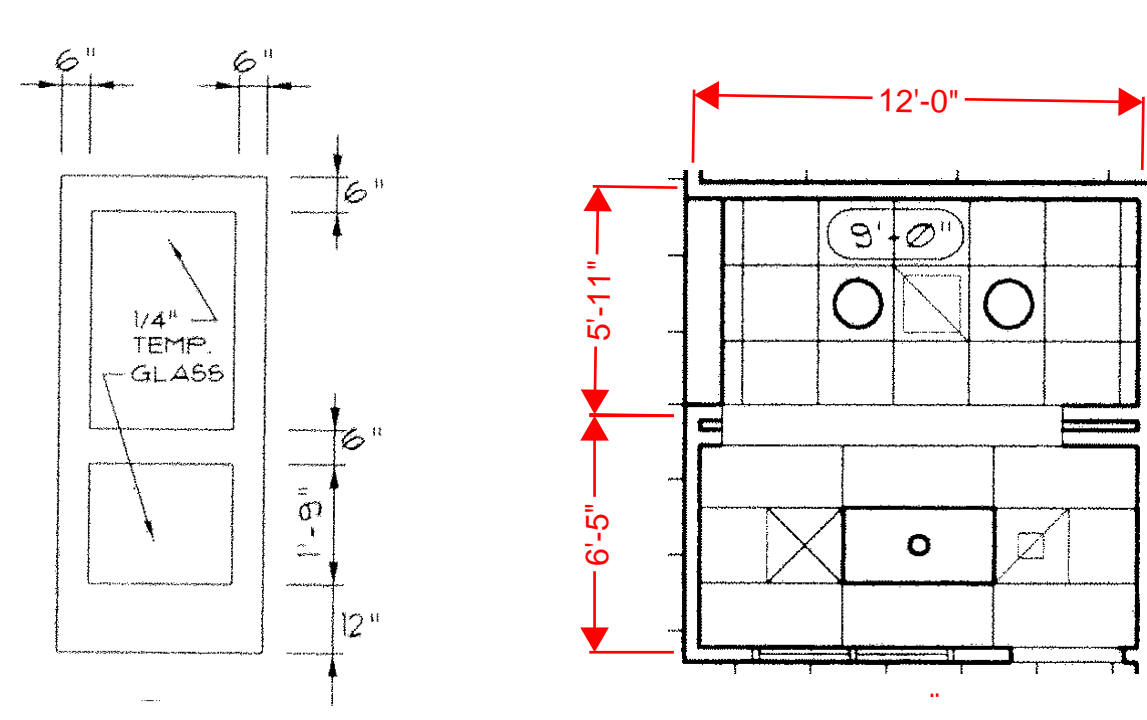
NEW 3'-0" X 6'-8" X 1 3/4" HOLLOW METAL STEEL SECURITY DOORS W/ LOCKING REMOVEABLE CENTER MULLION
 NOMINAL 7'-0" OVERALL ASSEMBLY HEIGHT
 ASSEMBLY FRAME NOMINAL 2" WIDE X 5" DEEP W/ WELDED STEEL REINFORCED HEADER BRACING

(ELECTRIC STRIKE LOCK ON RIGHT SIDE DOOR BY OWNER)

DOOR HARDWARE SHALL INCLUDE :
 VON DUPRIN 99 PANIC BAR
 LCN 4040XP DOOR CLOSER W/ HOLD OPEN
 CUSH-N-STOP ARM (HCUSH)
 4 1/2" HEAVY DUTY BALL BEARING SS HINGES,
 BOMMER OR EQUAL
 THRESHOLDS (NOT REQUIRED)
 CORBIN RUSWIN LOCK CYLINDERS THAT ARE RIM
 TYPE D2, 6 PIN
 HANDLES SHALL BE D SHAPE PULL TYPE W/
 ESCUTCHEON
 DOORS SHALL BE AS MANUFACTURED BY
 PIONEER, STEELCRAFT, KAWNEER OR APPROVED
 EQUAL

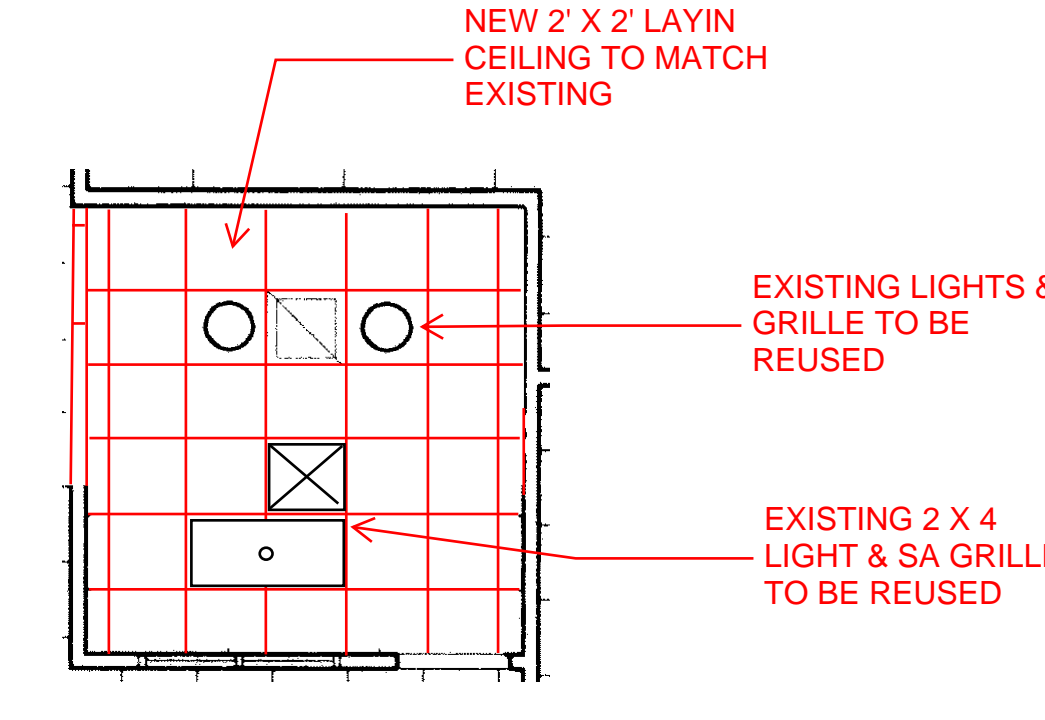


NEW DOUBLE SECURITY DOOR ASSEMBLY
 (SIMILAR TO ABOVE)
 (COLOR TO BE SELECTED BY OWNER)

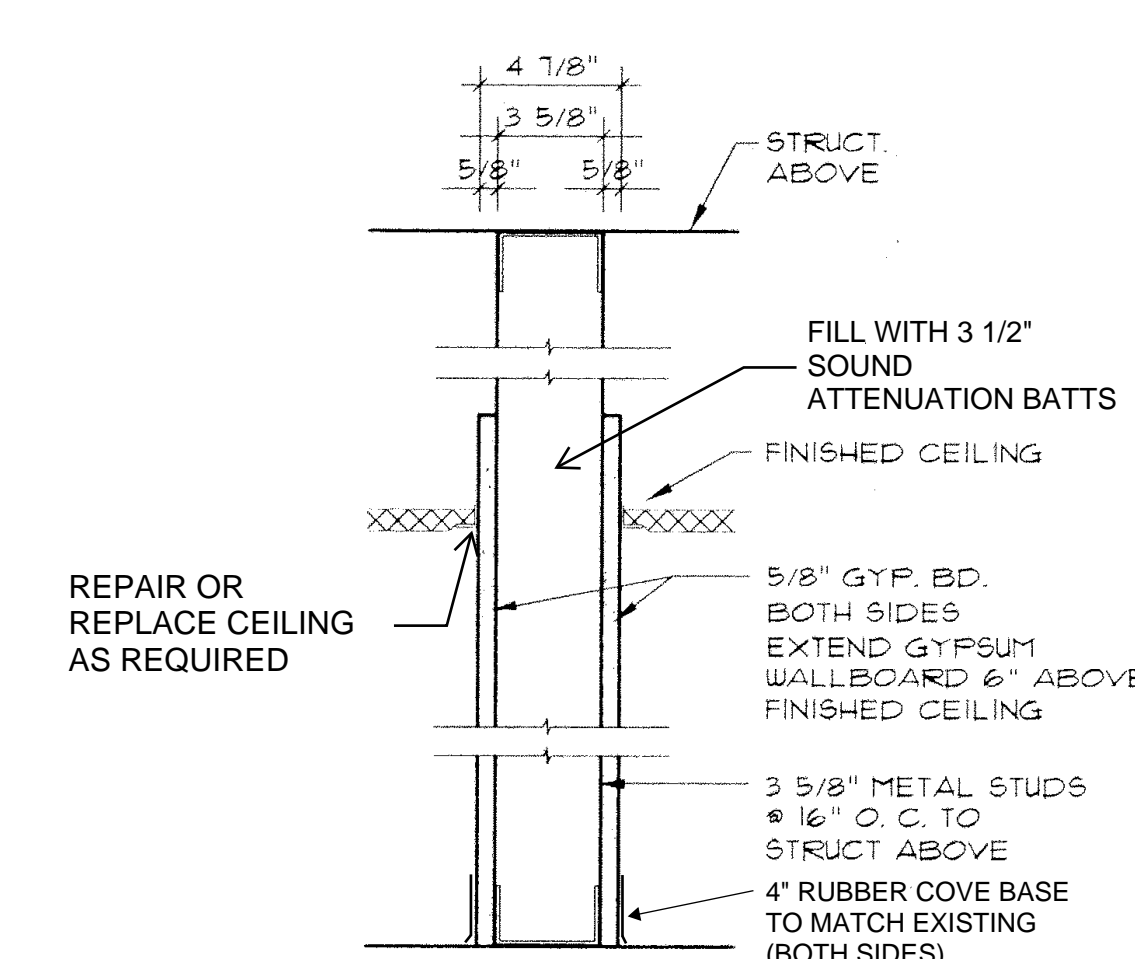


EXISTING CEILING

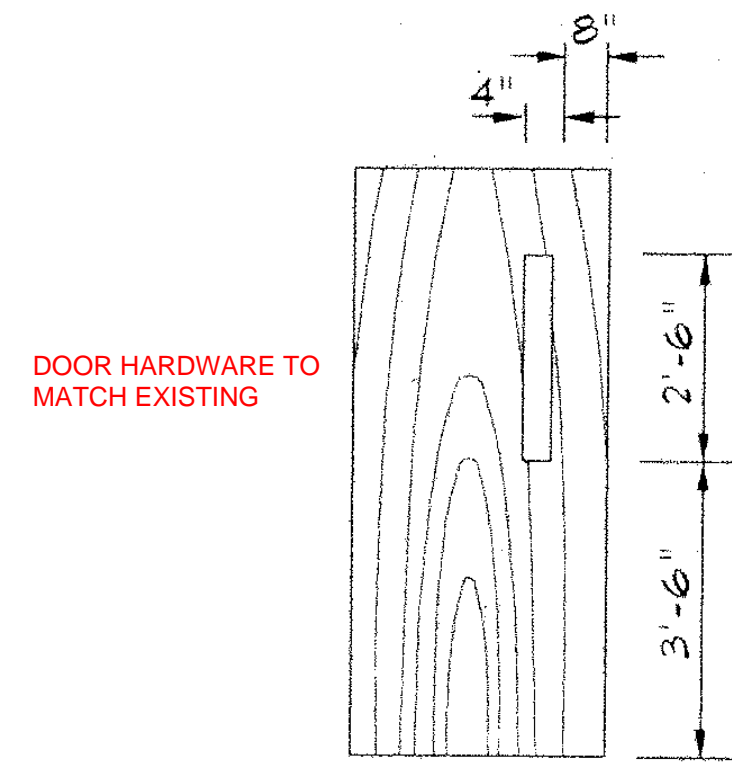
PARTIAL CEILING PLAN



NEW CEILING

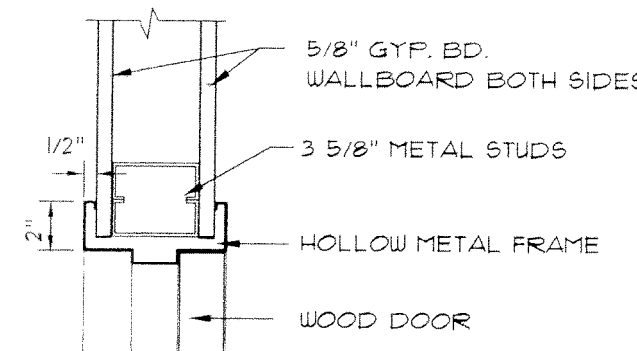


NEW GYP BD WALL

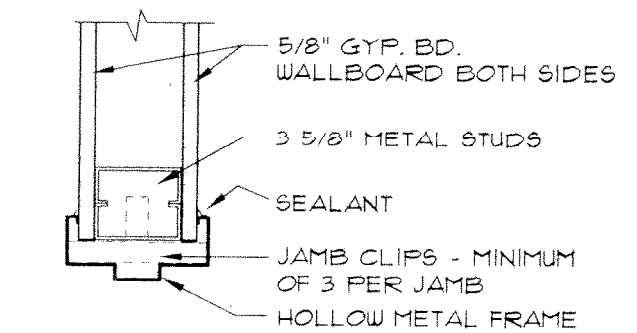


DOOR HARDWARE TO MATCH EXISTING

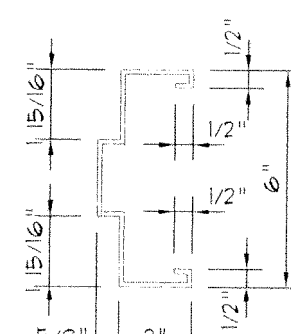
SOLID CORE NON-RATED WOOD DOOR
 (TO MATCH EXISTING)



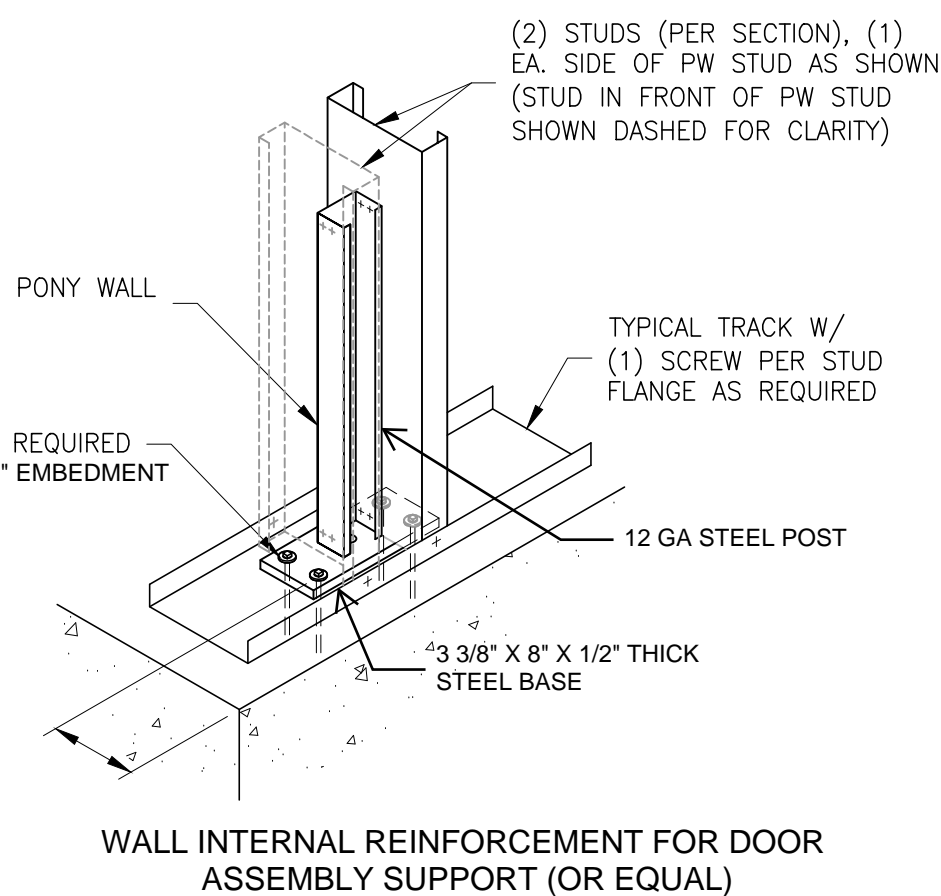
HEAD



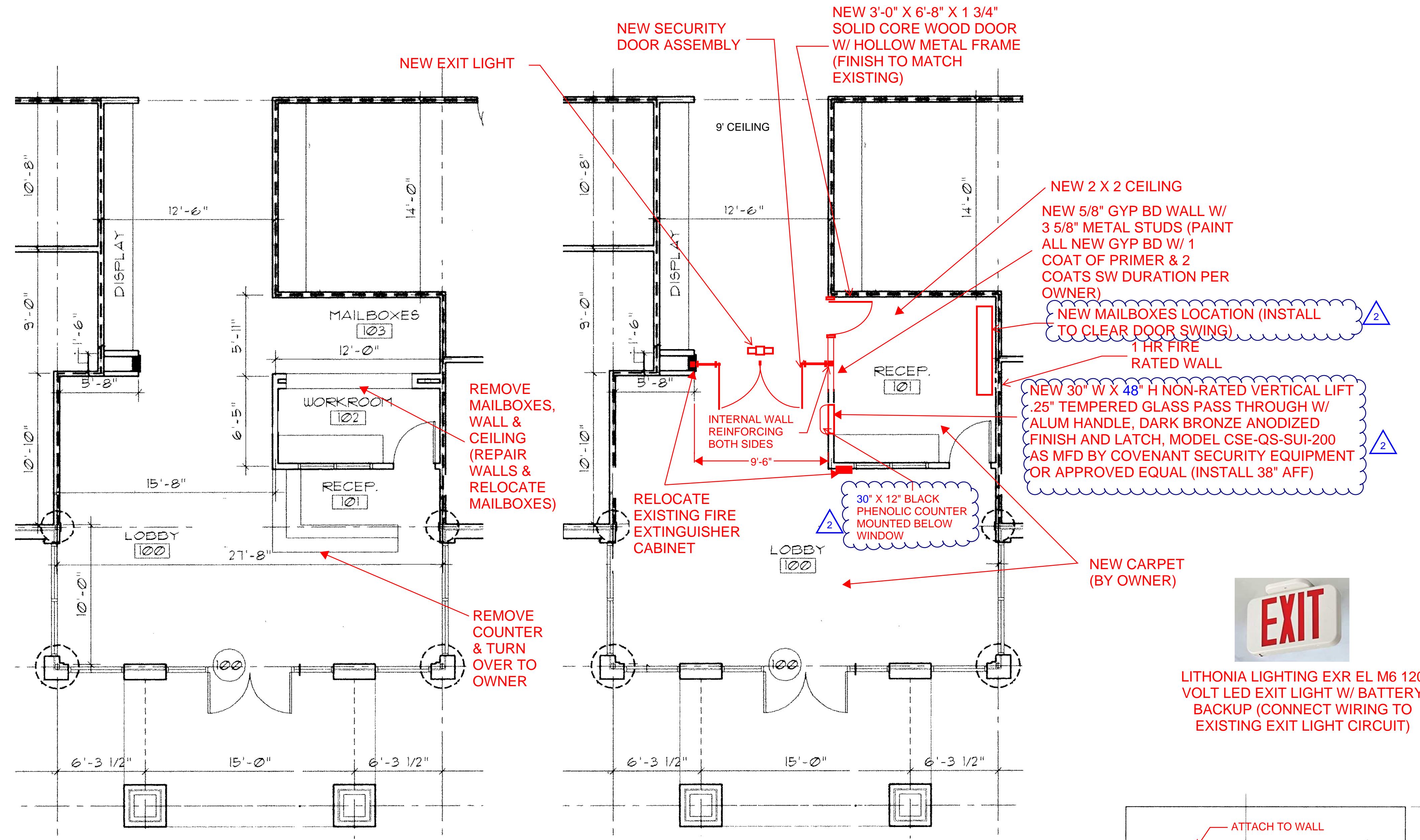
JAMB



FRAME



WALL INTERNAL REINFORCEMENT FOR DOOR ASSEMBLY SUPPORT (OR EQUAL)



EXISTING

RENOVATED

DISTRICT ADMINISTRATIVE OFFICE
 NOT TO SCALE

DISTRICT ADMINISTRATIVE OFFICE
 1226 US HWY 321 BY-PASS SOUTH
 WINNSBORO, SC 29180

FAIRFIELD COUNTY SCHOOLDISTRICT
 1226 US-321 BYP
 WINNSBORO, SC 29180

© 2020 DivTech
 THIS DRAWING AND THE DESIGN THEREON ARE THE PROPERTY OF
 DivTech
 ANY REPRODUCTION OR UNAUTHORIZED USE THEREOF WITHOUT WRITTEN PERMISSION MAY BE SUBJECT TO LEGAL ACTION.

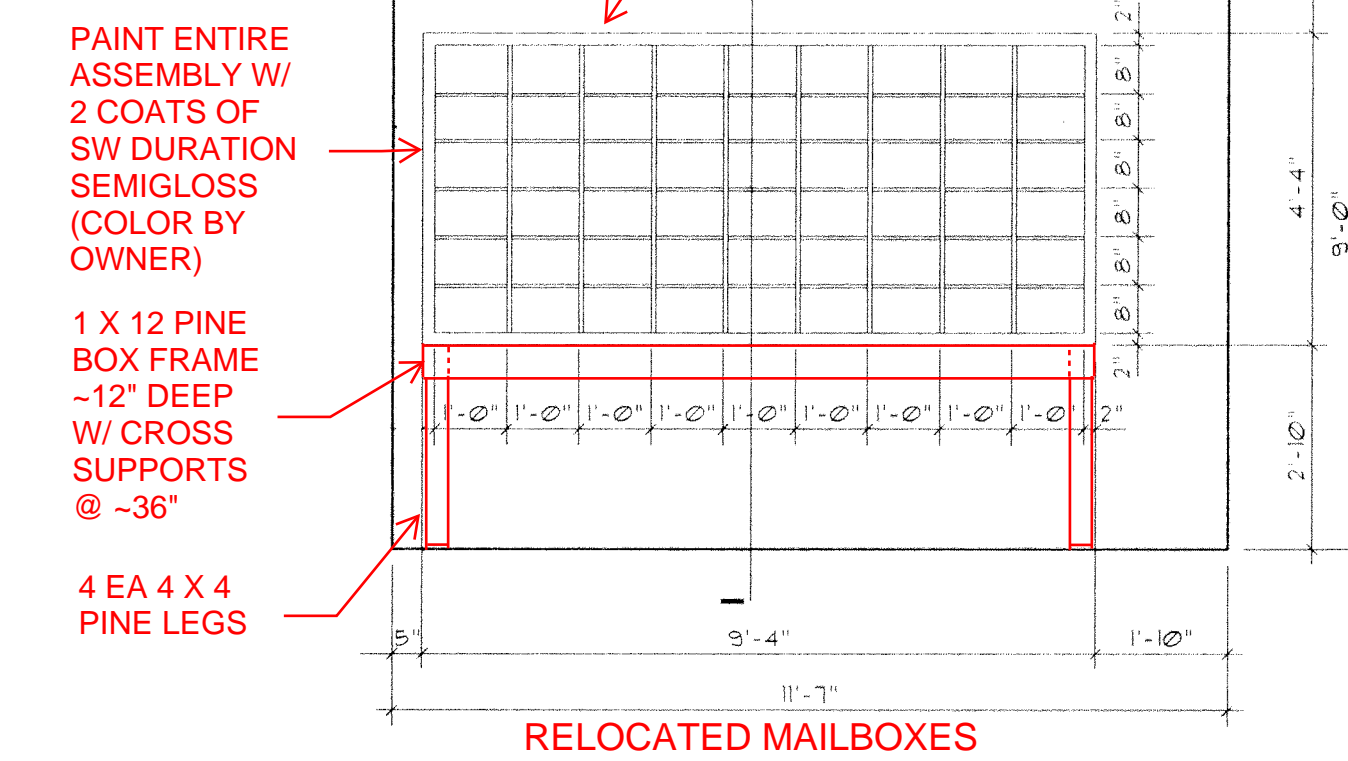
REVISIONS		
NO.	DATE	DESCRIPTION
A	07/16/2020	ISSUED FOR BIDS
B	07/24/2020	ADDENDUM 1
C	07/28/2020	ADDENDUM 2

ITEM	DATE	BY
DESIGN	07/16/2020	MAG
DRAWN	07/16/2020	MAG
CHECKED	07/16/2020	MAG
APPR		
CLIENT APPR		

ENTRYWAY UPGRADES

DivTech Project # 20-02

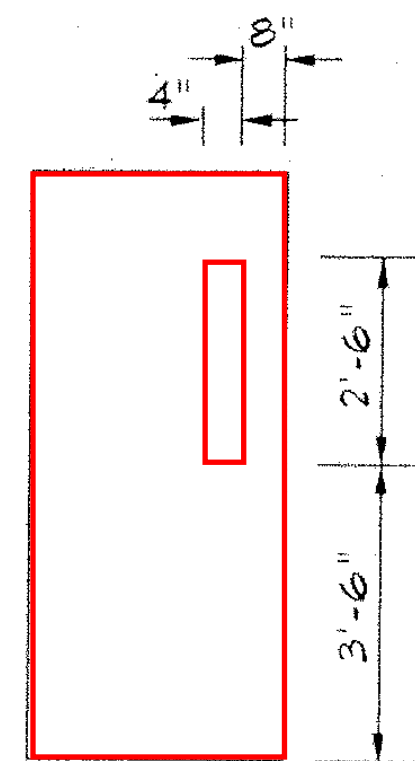
DWG	GA-1	REVISION	C
-----	------	----------	---



RELOCATED MAILBOXES

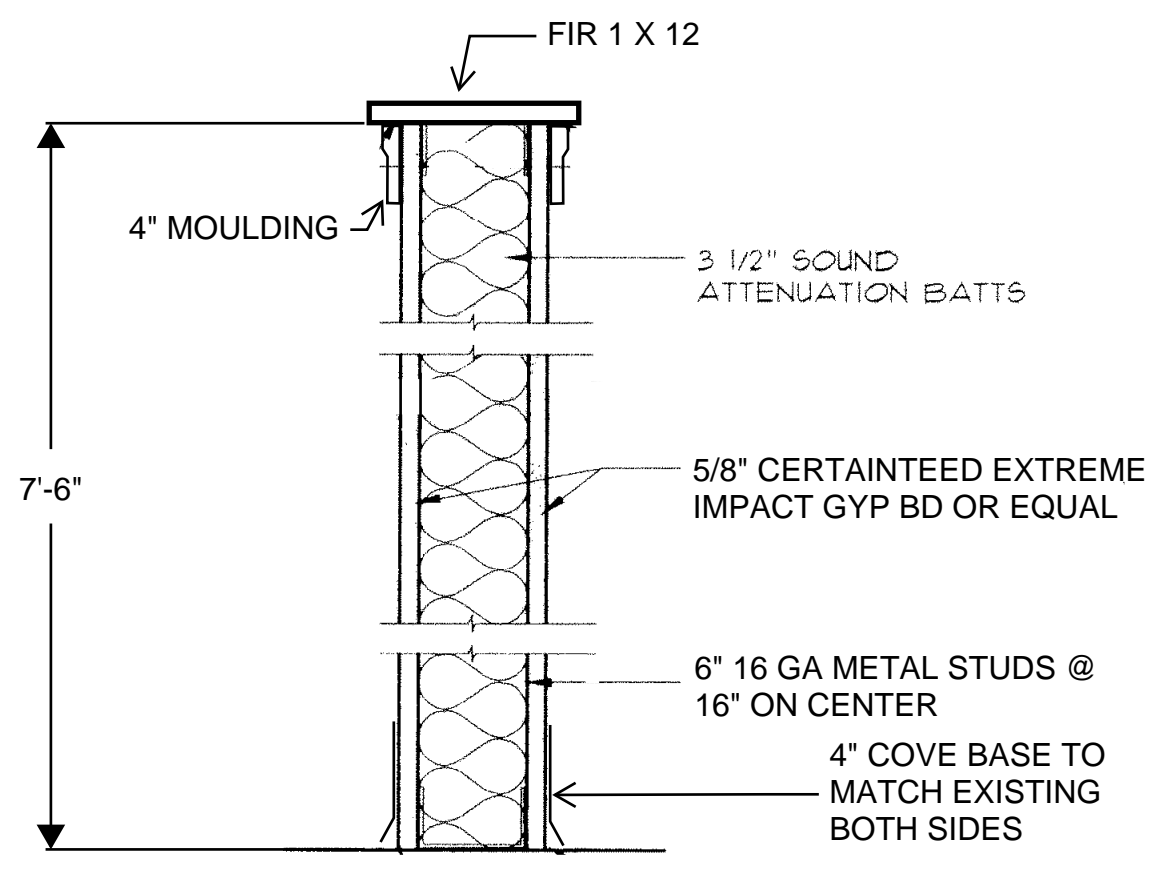
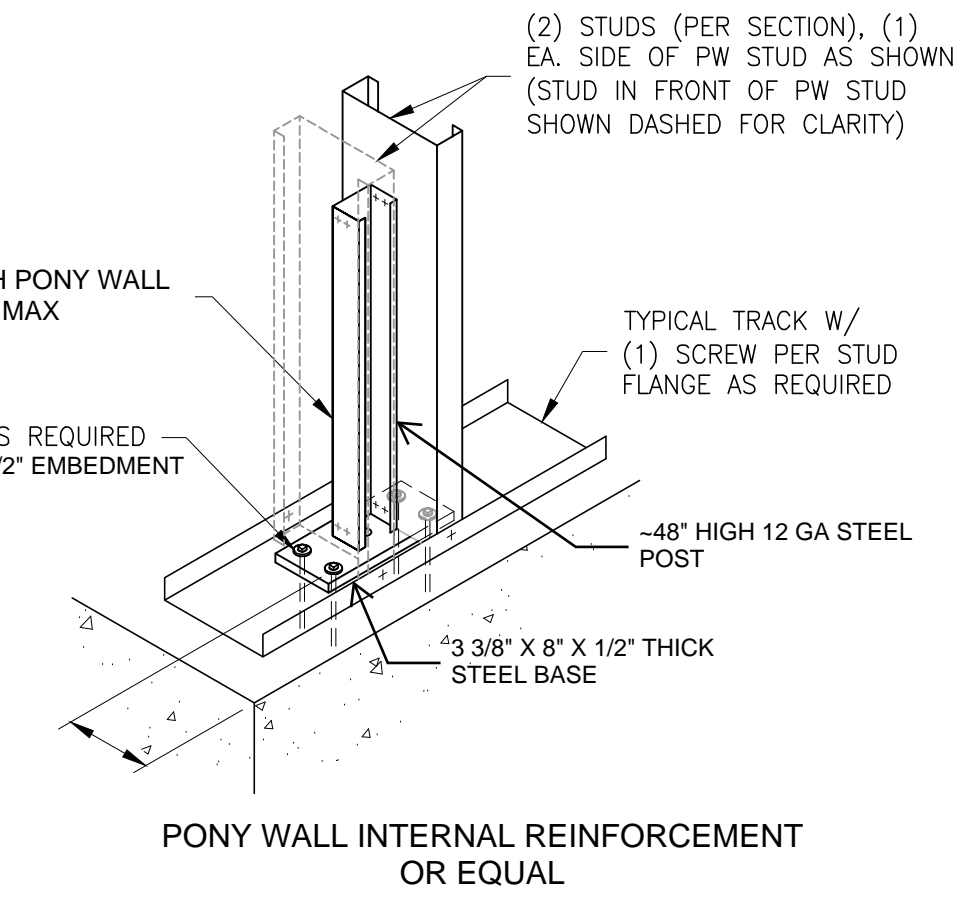
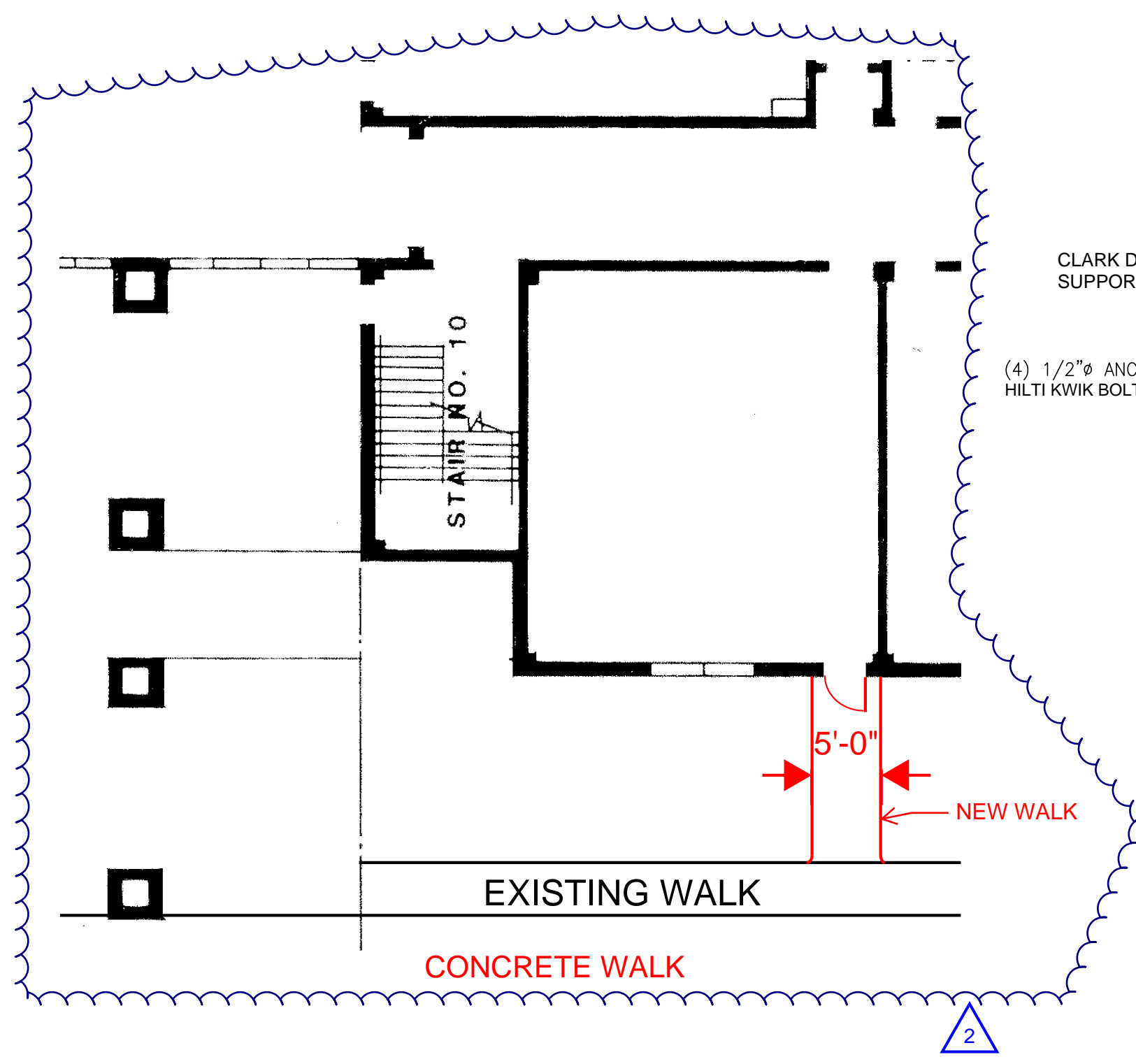
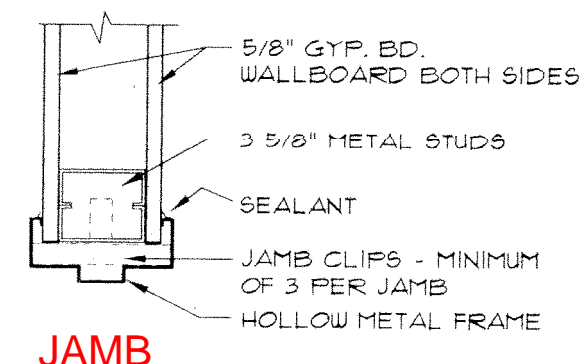
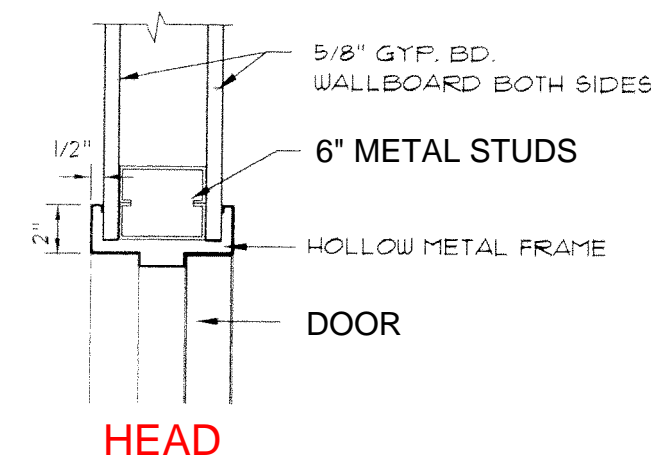
EXIT

LITHONIA LIGHTING EXR EL M6 120 VOLT LED EXIT LIGHT W/ BATTERY BACKUP (CONNECT WIRING TO EXISTING EXIT LIGHT CIRCUIT)



DOOR HARDWARE SHALL INCLUDE:
 LCN 404XP DOOR CLOSER W/HOLD OPEN
 CUSH-N-STOP ARM (HCUSH)
 4 1/2" HEAVY DUTY BALL BEARING SS HINGES,
 BOMMER OR EQUAL
 THRESHOLDS (NOT REQUIRED)
 CORBIN RUSWIN LOCK CYLINDERS THAT ARE RIM
 TYPE D2, 6 PIN
 HANDLES SHALL BE LEVER TYPE, FINISH
 SELECTED BY OWNER
 DOORS SHALL BE AS MANUFACTURED BY
 PIONEER, STEELCRAFT, KAWNEER OR APPROVED
 EQUAL

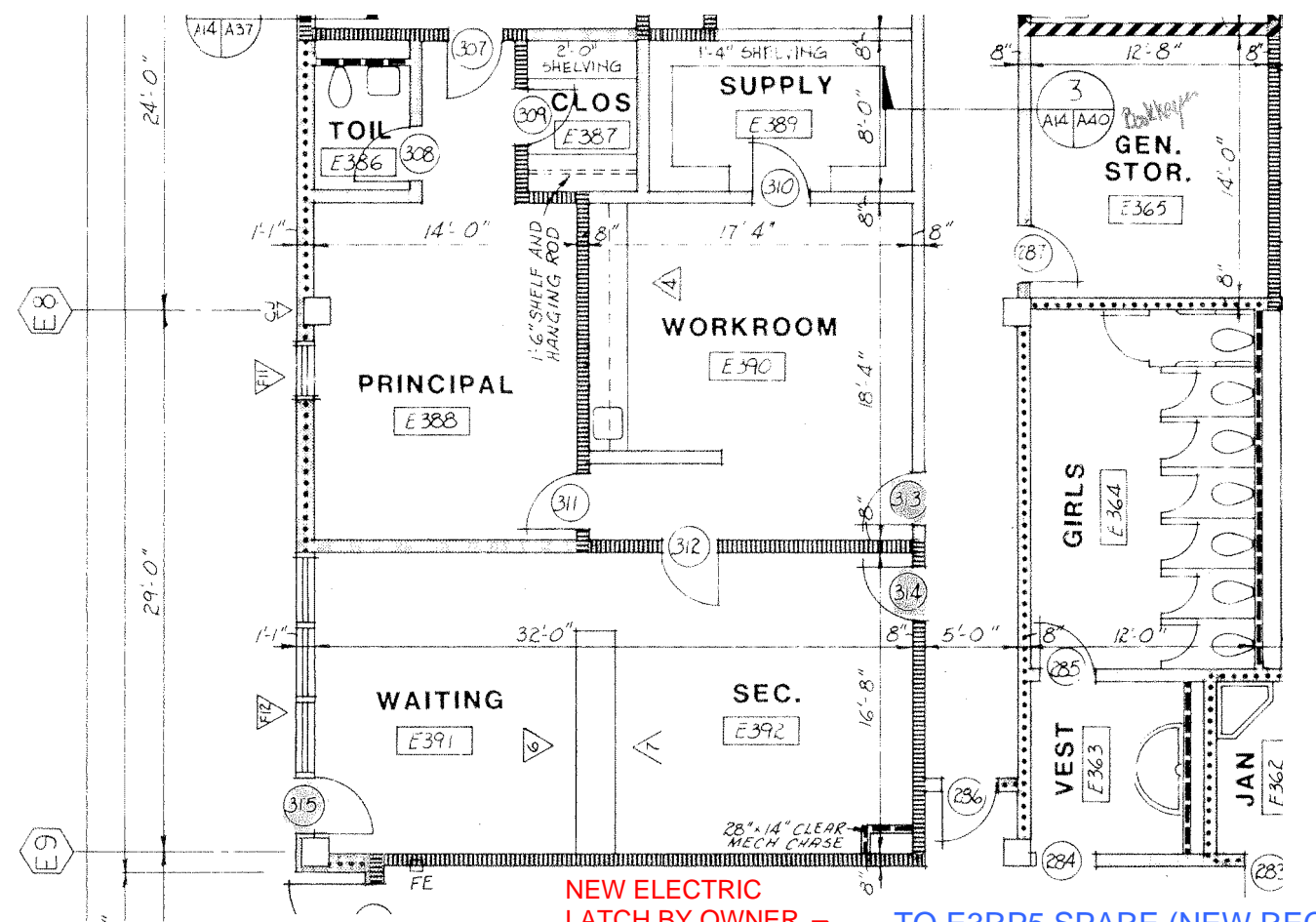
3'-0" X 6'-8" X 1 3/4" NON RATED
 HM STEEL DOOR & FRAME



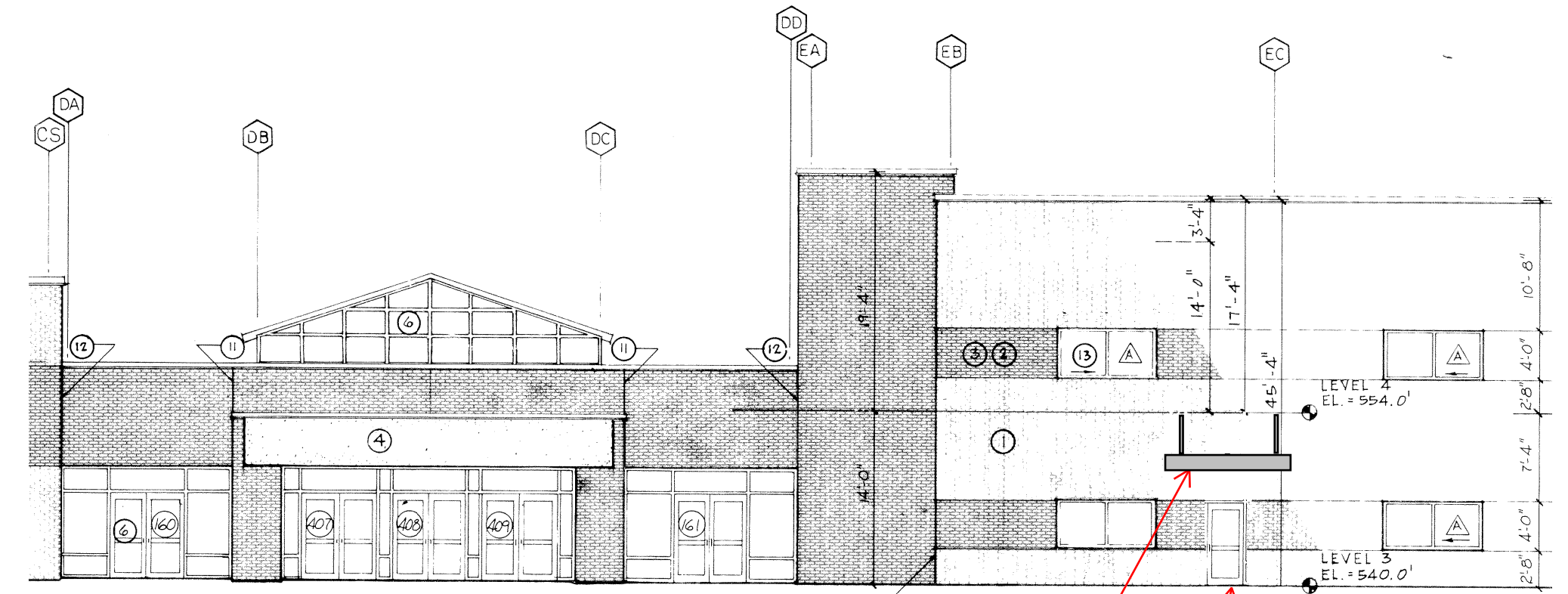
NEW 1 HR FIRE RATED GYP BD WALL
 PAINT ALL NEW GYP BD W/ 1 COAT OF PRIMER
 & 2 COATS SW DURATION, COLOR PER OWNER



80" WIDE X 60" PROJECTION IMPERIAL
 MARQUEE ALUMINUM AWNING WITH 8" WIDE
 FLAT PANELS, SQUARE TUBING OVERHEAD
 BRACES, EXTRUDED ALUMINUM 6" TALL
 GUTTER AND DOWNSPOUT KIT AS
 MANUFACTURED BY GENERAL AWNINGS, LLC
 OR APPROVED EQUAL (POWDERCOATED
 COLOR TO BE SELECTED BY OWNER)

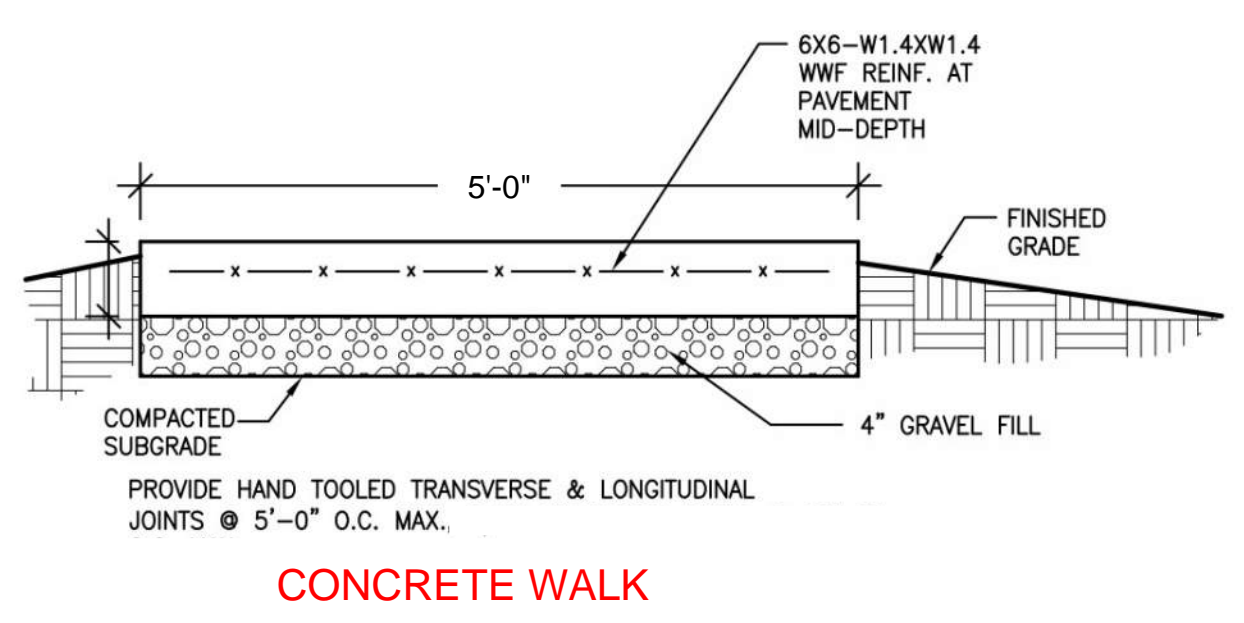


LITHONIA LIGHTING EXR EL M6 120
 VOLT LED EXIT LIGHT W/ BATTERY
 BACKUP (CONNECT WIRING TO
 EXISTING EXIT LIGHT CIRCUIT)

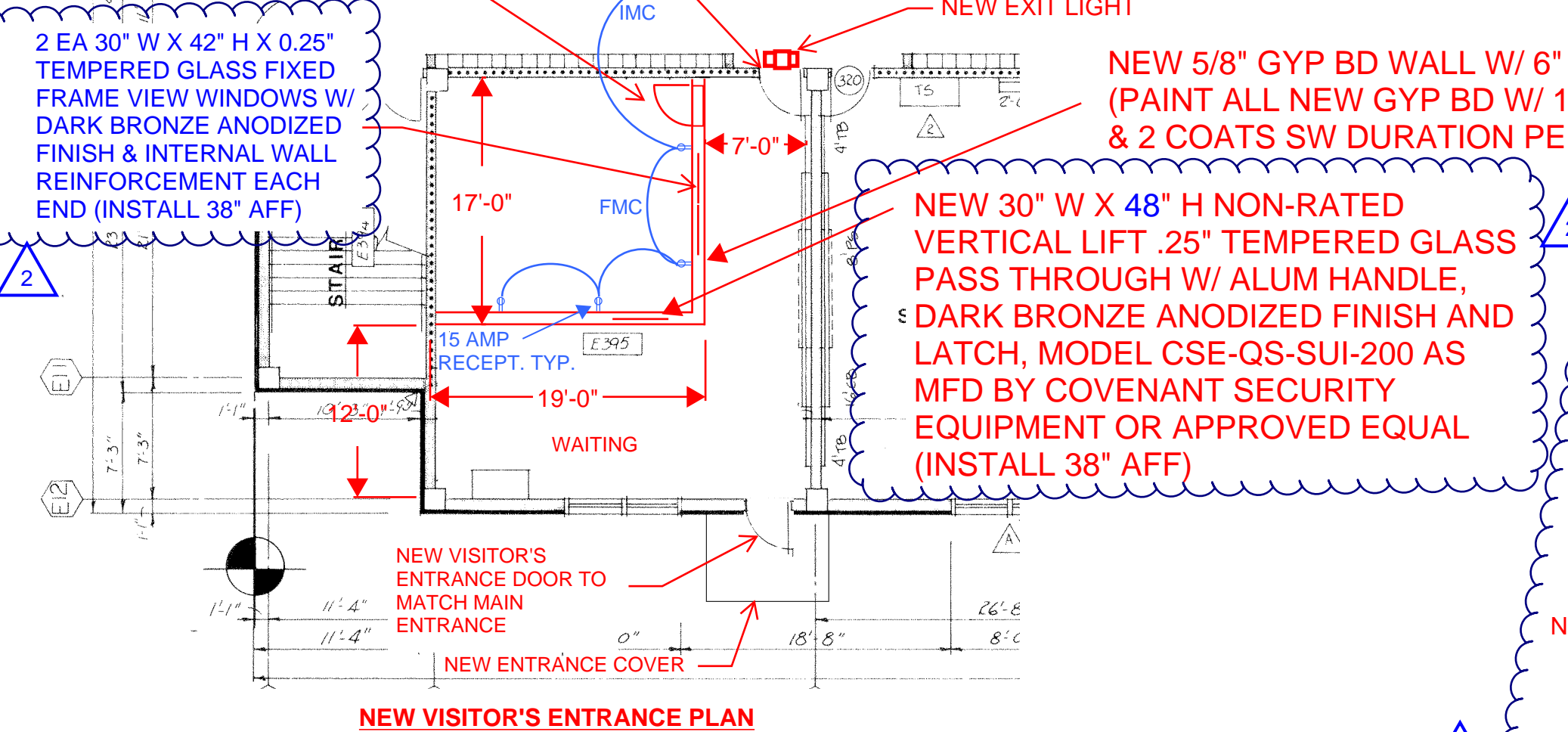


NEW VISITOR'S ENTRANCE FRONT ELEVATION

NEW VISITOR'S ENTRANCE DOOR
 (TO MATCH MAIN ENTRANCE)
 (INSTALL 4" X 6" X 3/8" STEEL
 ANGLE LINTEL & 6" X 7.5" X 3/8"
 STEEL ANGLE PLATE LINTEL WITH
 6" MIN BEARING EACH END)



CONCRETE WALK



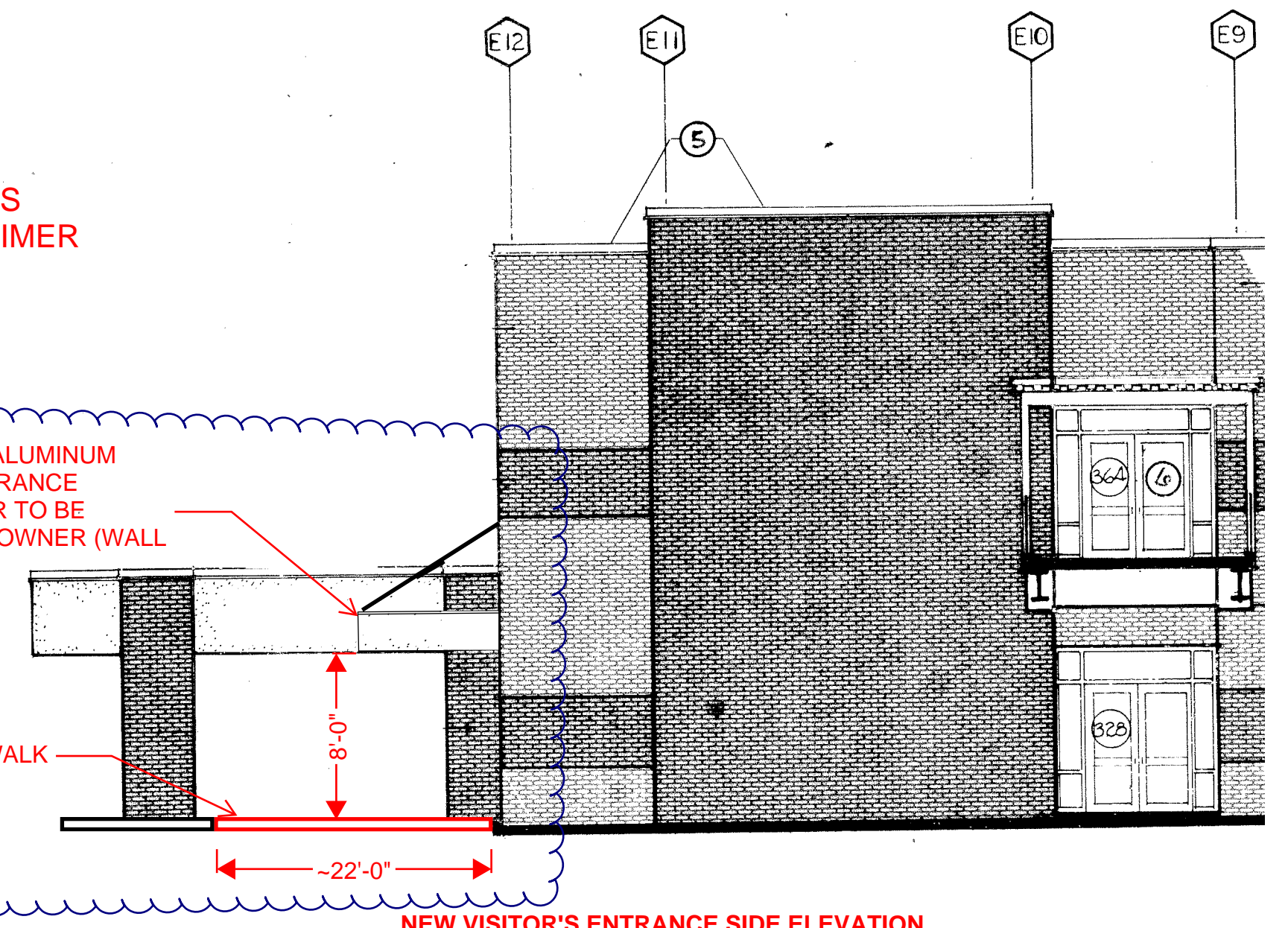
NEW VISITOR'S ENTRANCE PLAN

NEW 5/8" GYP BD WALL W/ 6" METAL STUDS
 (PAINT ALL NEW GYP BD W/ 1 COAT OF PRIMER
 & 2 COATS SW DURATION PER OWNER)

NEW 30" W X 48" H NON-RATED
 VERTICAL LIFT .25" TEMPERED GLASS
 PASS THROUGH W/ ALUM HANDLE,
 DARK BRONZE ANODIZED FINISH AND
 LATCH, MODEL CSE-QS-SUI-200 AS
 MFD BY COVENANT SECURITY
 EQUIPMENT OR APPROVED EQUAL
 (INSTALL 38" AFF)

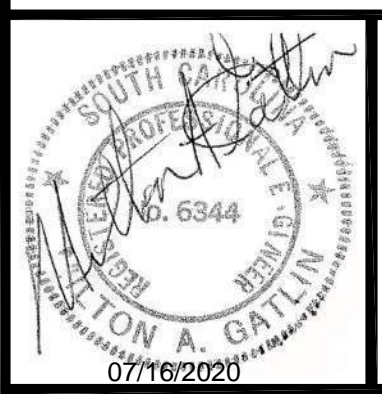
NEW PREFAB ALUMINUM
 VISITOR'S ENTRANCE
 AWNING COLOR TO BE
 SELECTED BY OWNER (WALL
 HUNG)

NEW CONCRETE WALK



NEW VISITOR'S ENTRANCE SIDE ELEVATION

FAIRFIELD CENTRAL HIGH SCHOOL
 NOT TO SCALE



**FAIRFIELD CENTRAL
 HIGH SCHOOL**
 836 US HWY 321 BY-PASS
 WINNSBORO, SC 29180



**FAIRFIELD COUNTY
 SCHOOLDISTRICT**
 1226 US-321 BYP
 WINNSBORO, SC 29180

© 2020 DivTech
 THIS DRAWING AND THE
 DESIGN THEREON ARE THE
 PROPERTY OF
 DivTech
 ANY REPRODUCTION OR UNAUTHORIZED USE
 THEREOF WITHOUT WRITTEN PERMISSION MAY
 BE SUBJECT TO LEGAL ACTION.

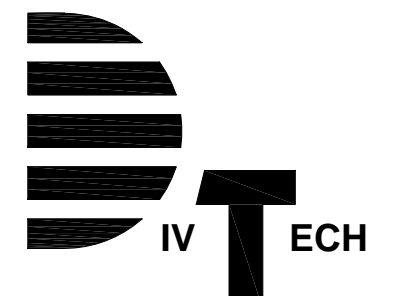
REVISIONS		
NO.	DATE	DESCRIPTION
A	07/16/2020	ISSUED FOR BIDS
B	07/24/2020	ADDENDUM 1
C	07/28/2020	ADDENDUM 2

ITEM	DATE	BY
DESIGN	07/16/2020	MAG
DRAWN	07/16/2020	MAG
CHECKED	07/16/2020	MAG
APPR		
CLIENT APP		

ENTRYWAY UPGRADES

DivTech Project # 20-02

DWG	GA-2	REVISION	C
-----	-------------	----------	----------



105 SILVER PINE CT
GREER, SC 2950



**FAIRFIELD
ELEMENTARY SCHOOL**
175 MEDLEY ROAD
WINNSBORO, SC 29180



**FAIRFIELD COUNTY
SCHOOLDISTRICT**
1226 US-321 BYP
WINNSBORO, SC 29180

© 2020 DivTech

THIS DRAWING AND THE
DESIGN THEREON ARE THE
PROPERTY OF

DivTech

ANY REPRODUCTION OR UNAUTHORIZED USE
THEREOF WITHOUT WRITTEN PERMISSION MAY
BE SUBJECT TO LEGAL ACTION.

REVISIONS

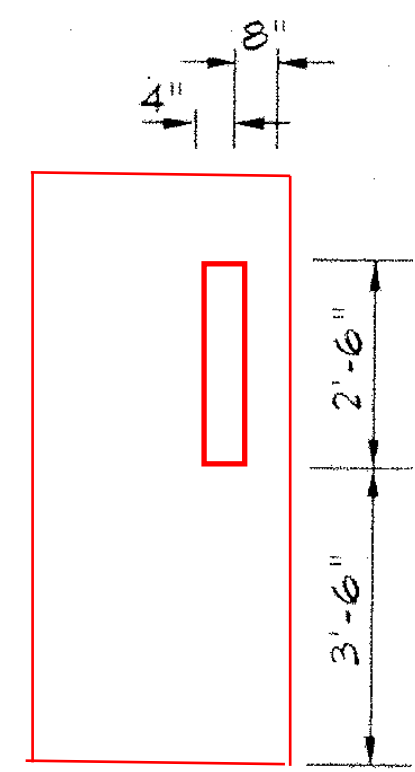
NO.	DATE	DESCRIPTION
A	07/16/2020	ISSUED FOR BIDS
B	07/24/2020	ADDENDUM 1
C	07/28/2020	ADDENDUM 2

ITEM	DATE	BY
DESIGN	07/16/2020	MAG
DRAWN	07/16/2020	MAG
CHECKED	07/16/2020	MAG
APPR		
CLIENT APPR		

ENTRYWAY UPGRADES

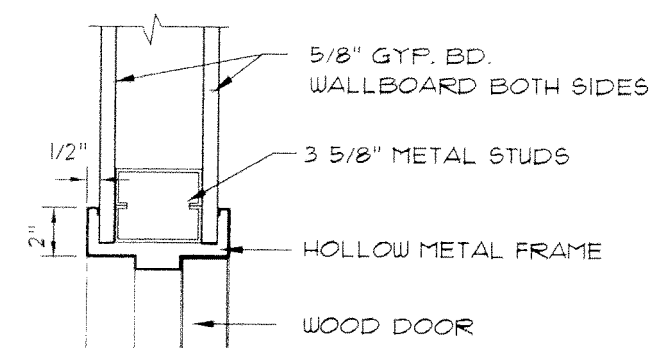
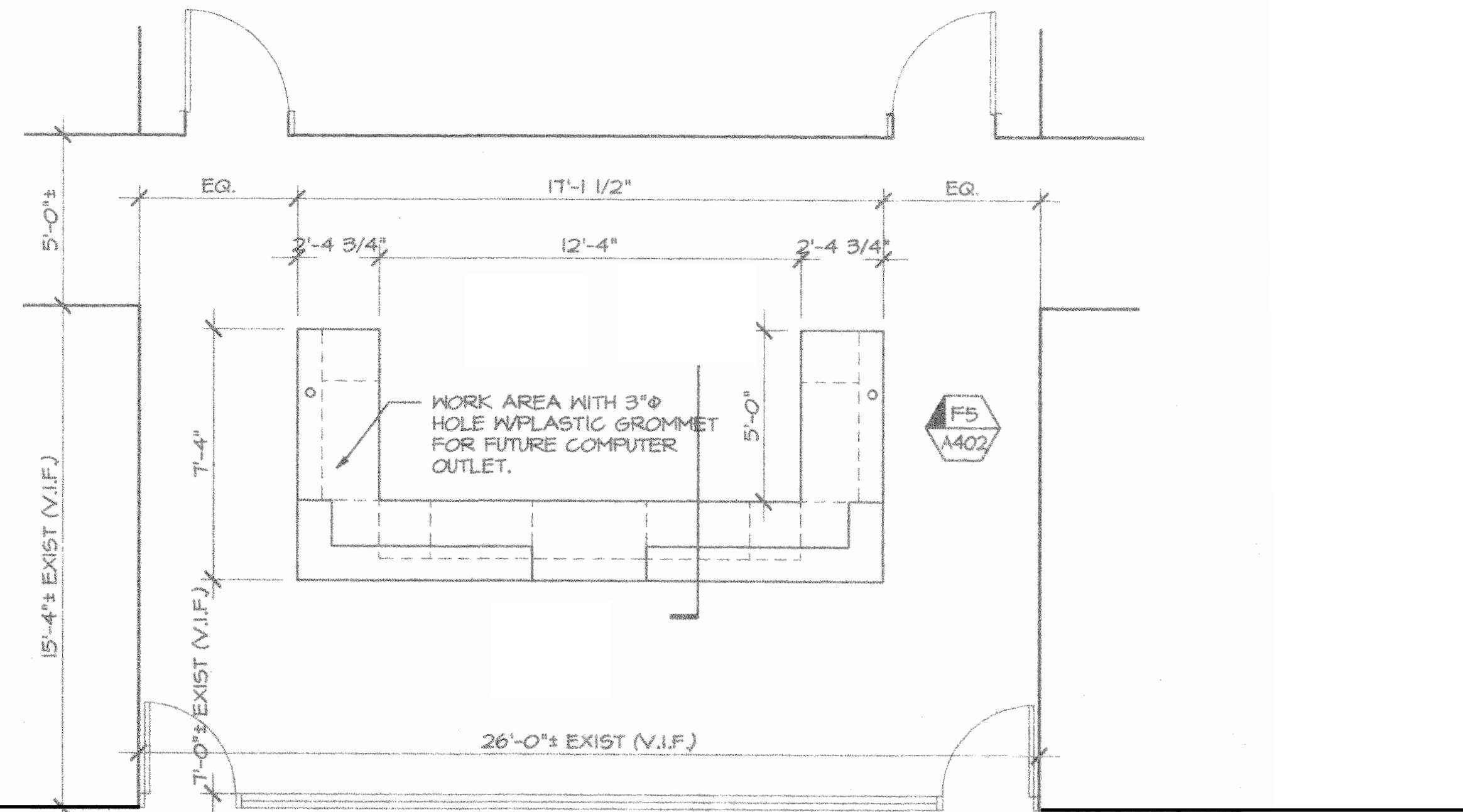
DivTech Project # 20-02

DWG GA-4 REVISION C

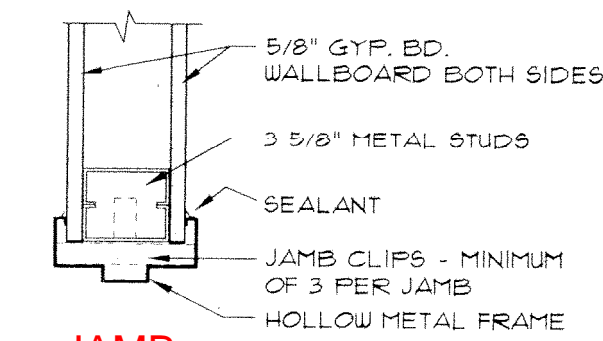


DOOR HARDWARE SHALL INCLUDE :
LCN 4040XP DOOR CLOSER W/ HOLD OPEN
CUSH-N-STOP ARM (HCUSH)
4 1/2" HEAVY DUTY BALL BEARING SS HINGES,
BOMMER OR EQUAL
THRESHOLDS (NOT REQUIRED)
CORBIN RUSWIN LOCK CYLINDERS THAT ARE RIM
TYPE D2, 6 PIN
HANDLES SHALL BE LEVER TYPE, FINISH
SELECTED BY OWNER
DOORS SHALL BE AS MANUFACTURED BY
PIONEER, STEELCRAFT, KAWNEER OR APPROVED
EQUAL

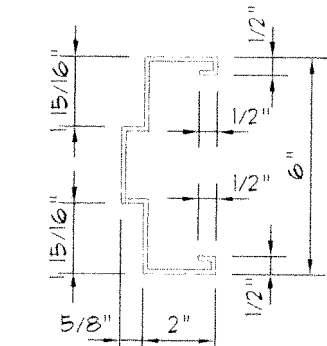
20 MIN RATED HM STEEL DOOR & FRAME
(TO MATCH EXISTING)



HEAD

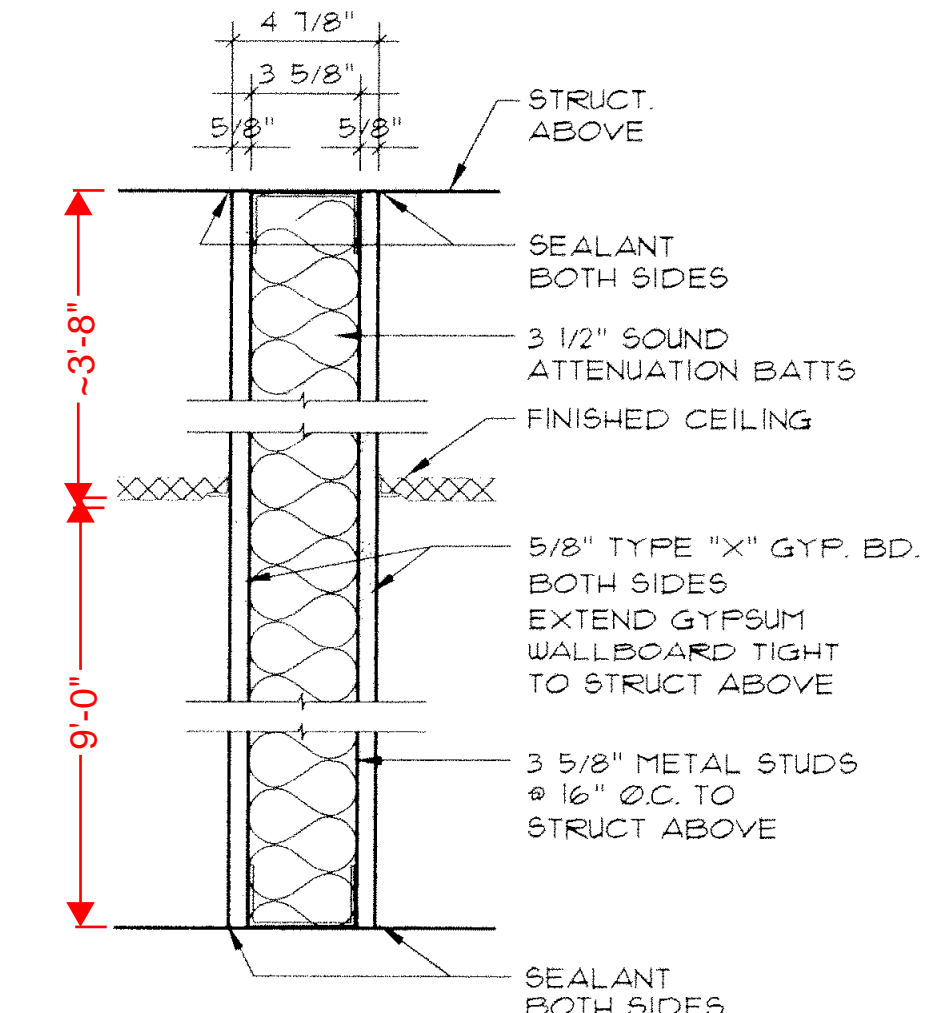
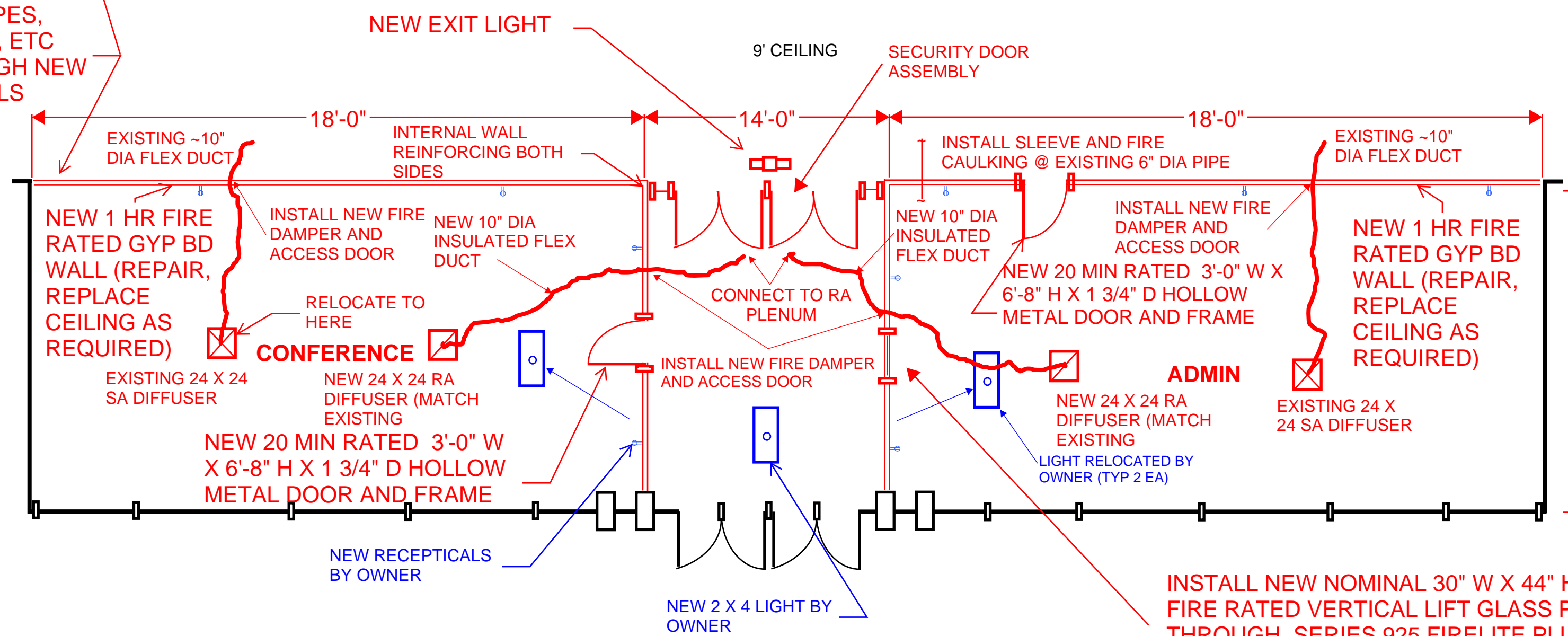


JAMB



FRAME

FIRESAFE ALL PIPES,
CONDUIT, CABLE, ETC
PASSING THROUGH NEW
FIRE RATED WALLS



NEW 1 HR FIRE RATED GYP BD WALL
PAINT ALL NEW GYP BD W/ 1 COAT OF PRIMER
& 2 COATS SW DURATION, COLOR PER OWNER

INSTALL NEW NOMINAL 30" W X 44" H 60 MIN
FIRE RATED VERTICAL LIFT GLASS PASS
THROUGH, SERIES 925 FIRELITE PLUS W/
SUBFRAME KIT AS MFG BY FYRE TECH OR
APPROVED EQUAL (FRAME COLOR TO BE
SELECTED BY OWNER) (INSTALL 38" AFF)

FAIRFIELD ELEMENTARY SCHOOL
NOT TO SCALE

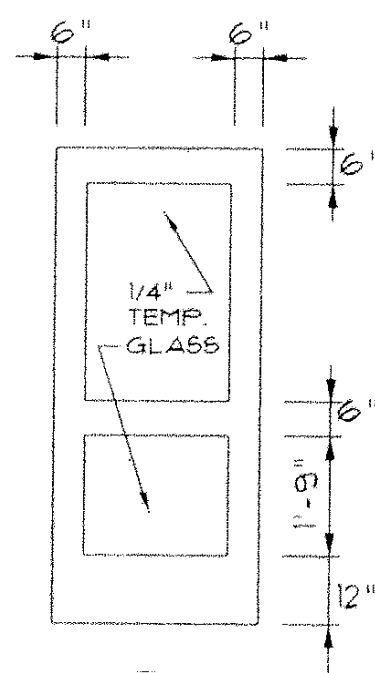
NEW 3'-0" X 6'-8" X 1 3/4" HOLLOW METAL STEEL
SECURITY DOORS W/ LOCKING REMOVEABLE
CENTER MULLION
NOMINAL 7'-0" OVERALL ASSEMBLY HEIGHT
ASSEMBLY FRAME NOMINAL 2" WIDE X 5" DEEP W/
WELDED STEEL REINFORCED HEADER BRACING

(ELECTRIC STRIKE LOCK ON 1 RIGHT SIDE DOOR BY
OWNER)

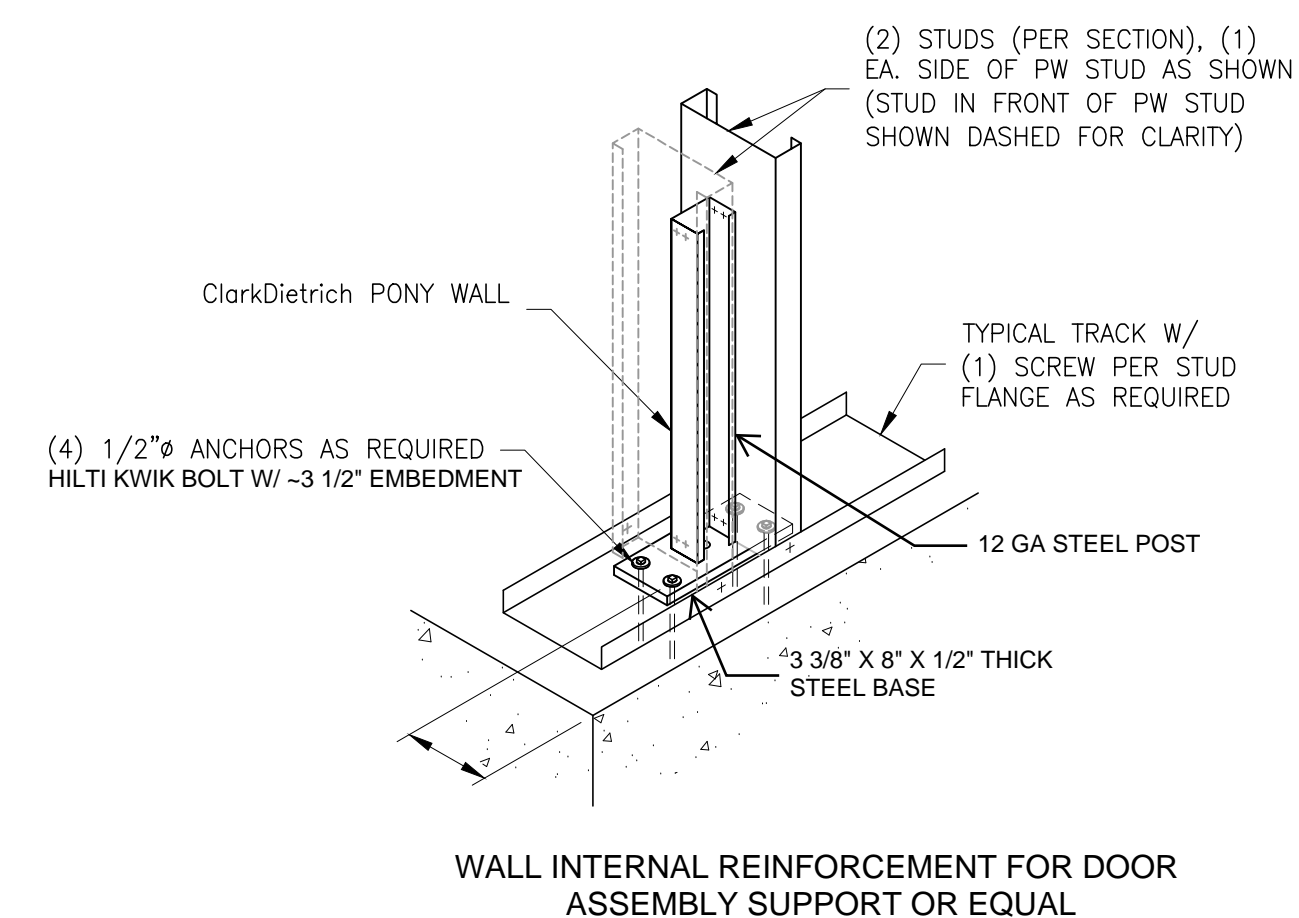
DOOR HARDWARE SHALL INCLUDE :
VON DUPRIN 99 PANIC BAR
LCN 4040XP DOOR CLOSER W/ HOLD OPEN
CUSH-N-STOP ARM (HCUSH)
4 1/2" HEAVY DUTY BALL BEARING SS HINGES,
BOMMER OR EQUAL
THRESHOLDS (NOT REQUIRED)
CORBIN RUSWIN LOCK CYLINDERS THAT ARE RIM
TYPE D2, 6 PIN
HANDLES SHALL BE D SHAPE PULL TYPE W/
ESCUTCHEON
DOORS SHALL BE AS MANUFACTURED BY
PIONEER, STEELCRAFT, KAWNEER OR APPROVED
EQUAL



DOUBLE SECURITY DOOR ASSEMBLY
(SIMILAR TO ABOVE)
(COLOR TO BE SELECTED BY OWNER)



LITHONIA LIGHTING EXR EL M6 120
VOLT LED EXIT LIGHT W/ BATTERY
BACKUP (CONNECT WIRING TO
EXISTING EXIT LIGHT CIRCUIT)



WALL INTERNAL REINFORCEMENT FOR DOOR
ASSEMBLY SUPPORT OR EQUAL



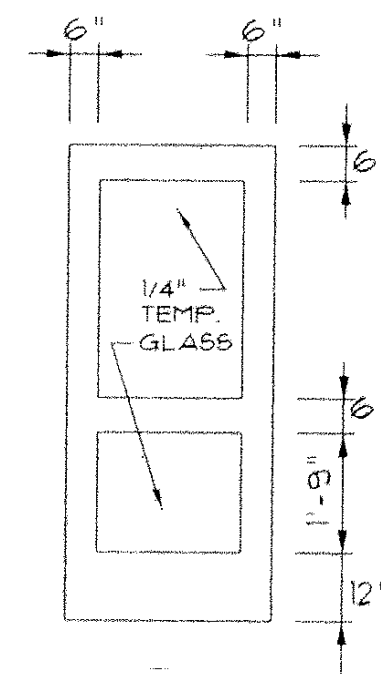
105 SILVER PINE CT
GREER, SC 2950

NEW 3'-0" X 6'-8" X 1/4" HOLLOW METAL STEEL SECURITY DOORS W/ LOCKING REMOVEABLE CENTER MULLION
NOMINAL 7'-0" OVERALL ASSEMBLY HEIGHT
ASSEMBLY FRAME NOMINAL 2" WIDE X 5" DEEP W/ WELDED STEEL REINFORCED HEADER BRACING

DOOR HARDWARE SHALL INCLUDE :
VON DUPRIN 99 PANIC BAR
LCN 4040XP DOOR CLOSER W/ HOLD OPEN CUSH-N-STOP ARM (HCUSH)
4 1/2" HEAVY DUTY BALL BEARING SS HINGES, BOMMER OR EQUAL
THRESHOLDS (NOT REQUIRED)
CORBIN RUSWIN LOCK CYLINDERS THAT ARE RIM TYPE D2, 6 PIN
HANDLES SHALL BE D SHAPE PULL TYPE W/ ESCUTCHEON
DOORS SHALL BE AS MANUFACTURED BY PIONEER, STEELCRAFT, KAWNEER OR APPROVED EQUAL



DOUBLE SECURITY DOOR ASSEMBLY (SIMILAR TO ABOVE)
(COLOR TO BE SELECTED BY OWNER)



LITHONIA LIGHTING EXR EL M6 120 VOLT LED EXIT LIGHT W/ BATTERY BACKUP (CONNECT WIRING TO EXISTING EXIT LIGHT CIRCUIT)



FAIRFIELD MAGNET SCHOOL FOR MATH & SCIENCE

1647 US HWY 321 BY-PASS
WINNSBORO, SC 29180



FAIRFIELD COUNTY SCHOOLDISTRICT
1226 US-321 BYP
WINNSBORO, SC 29180

© 2020 DivTech

THIS DRAWING AND THE DESIGN THEREON ARE THE PROPERTY OF

DivTech

ANY REPRODUCTION OR UNAUTHORIZED USE THEREOF WITHOUT WRITTEN PERMISSION MAY BE SUBJECT TO LEGAL ACTION.

REVISIONS

NO.	DATE	DESCRIPTION
A	07/16/2020	ISSUED FOR BIDS
B	07/24/2020	ADDENDUM 1
C	07/28/2020	ADDENDUM 2

ITEM	DATE	BY
DESIGN	07/16/2020	MAG
DRAWN	07/16/2020	MAG
CHECKED	07/16/2020	MAG
APPR		
CLIENT APP		

ENTRYWAY UPGRADES

DivTech Project # 20-02

DWG	REVISION
GA-5	C

NEW DOUBLE SECURITY DOOR ASSEMBLY

9' CEILING

NEW EXIT LIGHT

TOUCH UP WALL PAINT AS NEEDED

INSTALL NEW 60 MIN FIRE RATED VERTICAL SLIDING GLASS PASS THROUGH, SERIES 925 FIRELITE PLUS W/ SUBFRAME KIT AS MFG BY FYRE TECH OR APPROVED EQUAL (REMOVE EXISTING GLASS AND INSTALL PASS THROUGH IN NOMINAL 26" W X 44" H OPENING IN EXISTING METAL FRAME, COLOR OF NEW METAL FRAME TO BE SELECTED BY OWNER)

NEW DOUBLE SECURITY DOOR ASSEMBLY

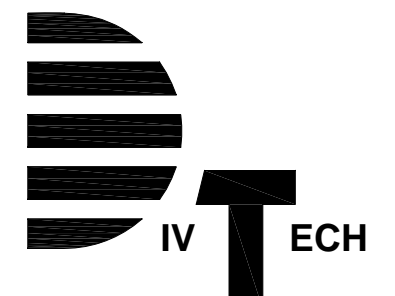
9' CEILING

NEW EXIT LIGHT

TOUCH UP WALL PAINT AS NEEDED

REPAINT EXISTING FRAMES

FAIRFIELD MAGNET SCHOOL FOR MATH AND SCIENCE
NOT TO SCALE



105 SILVER PINE CT
GREER, SC 29550



GEIGER ELEMENTARY SCHOOL
150 TM COOK LANE
RIDGWAY, SC 29130



FAIRFIELD COUNTY SCHOOLDISTRICT
1226 US-321 BYP
WINNSBORO, SC 29180

© 2020 DivTech

THIS DRAWING AND THE DESIGN THEREON ARE THE PROPERTY OF

DivTech

ANY REPRODUCTION OR UNAUTHORIZED USE THEREOF WITHOUT WRITTEN PERMISSION MAY BE SUBJECT TO LEGAL ACTION.

REVISIONS

NO.	DATE	DESCRIPTION
A	07/16/2020	ISSUED FOR BIDS
B	07/24/2020	ADDENDUM 1
C	07/28/2020	ADDENDUM 2

ITEM	DATE	BY
DESIGN	07/16/2020	MAG
DRAWN	07/16/2020	MAG
CHECKED	07/16/2020	MAG
APPR		
CLIENT APPR		

ENTRYWAY UPGRADES

DivTech Project # 20-02

DWG **GA-7** REVISION **C**

NEW 3'-0" X 6'-8" X 1 3/4" HOLLOW METAL STEEL SECURITY DOORS W/ LOCKING REMOVEABLE CENTER MULLION
NOMINAL 7'-0" OVERALL ASSEMBLY HEIGHT
ASSEMBLY FRAME NOMINAL 2" WIDE X 5" DEEP W/ WELDED STEEL REINFORCED HEADER BRACING

(ELECTRIC STRIKE LOCK ON RIGHT SIDE DOOR BY OWNER)

DOOR HARDWARE SHALL INCLUDE :
VON DUPRIN 99 PANIC BAR
LCN 4040XP DOOR CLOSER W/ HOLD OPEN CUSH-N-STOP ARM (HCUSH)
4 1/2" HEAVY DUTY BALL BEARING SS HINGES, BOMMER OR EQUAL
THRESHOLDS (NOT REQUIRED)
CORBIN RUSWIN LOCK CYLINDERS THAT ARE RIM TYPE D2, 6 PIN
HANDLES SHALL BE D SHAPE PULL TYPE W/ ESCUTCHEON
DOORS SHALL BE AS MANUFACTURED BY PIONEER, STEELCRAFT, KAWNEER OR APPROVED EQUAL



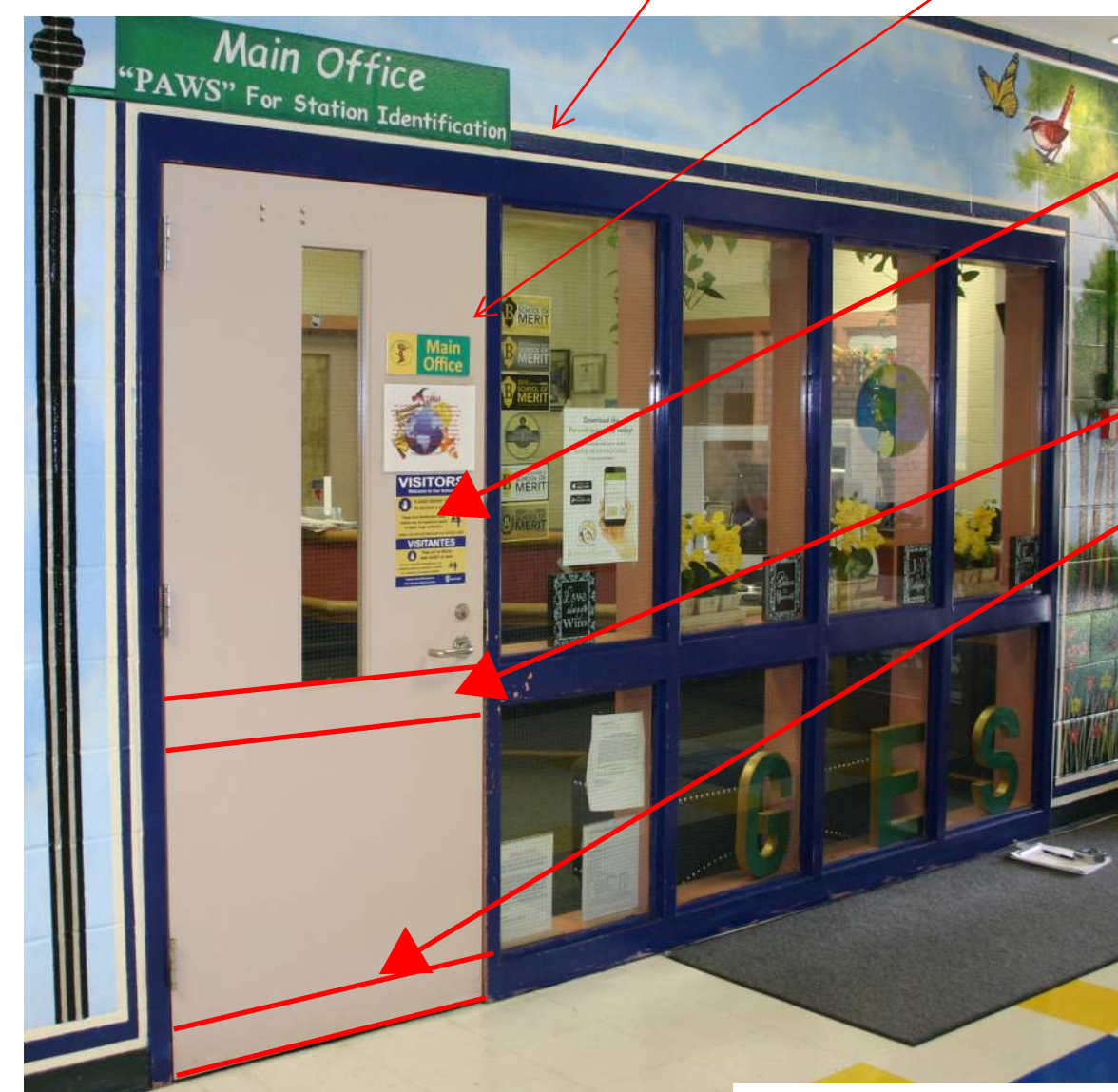
NEW DOUBLE SECURITY DOOR ASSEMBLY (SIMILAR TO ABOVE)
(COLOR TO BE SELECTED BY OWNER)



LITHONIA LIGHTING EXR EL M6 120 VOLT LED EXIT LIGHT W/ BATTERY BACKUP (CONNECT WIRING TO EXISTING EXIT LIGHT CIRCUIT)

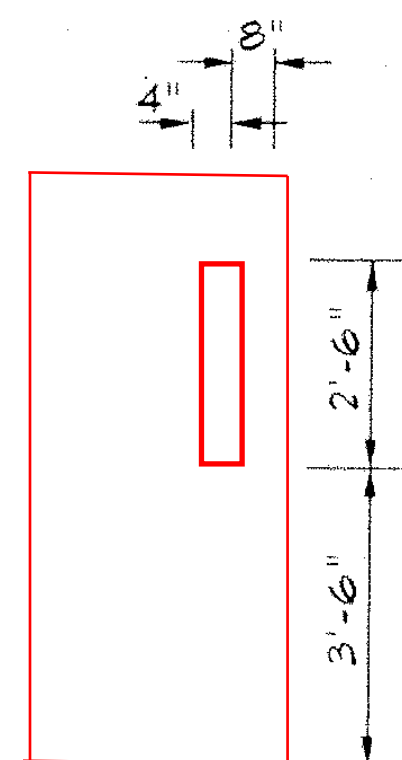
REPAINT BOTH SIDES OF EXISTING FRAME WITH 2 COATS OF SW DURATION GLOSS, COLOR SELECTED BY OWNER

MODIFY FRAME AS REQUIRED TO ACCEPT NEW GLASS



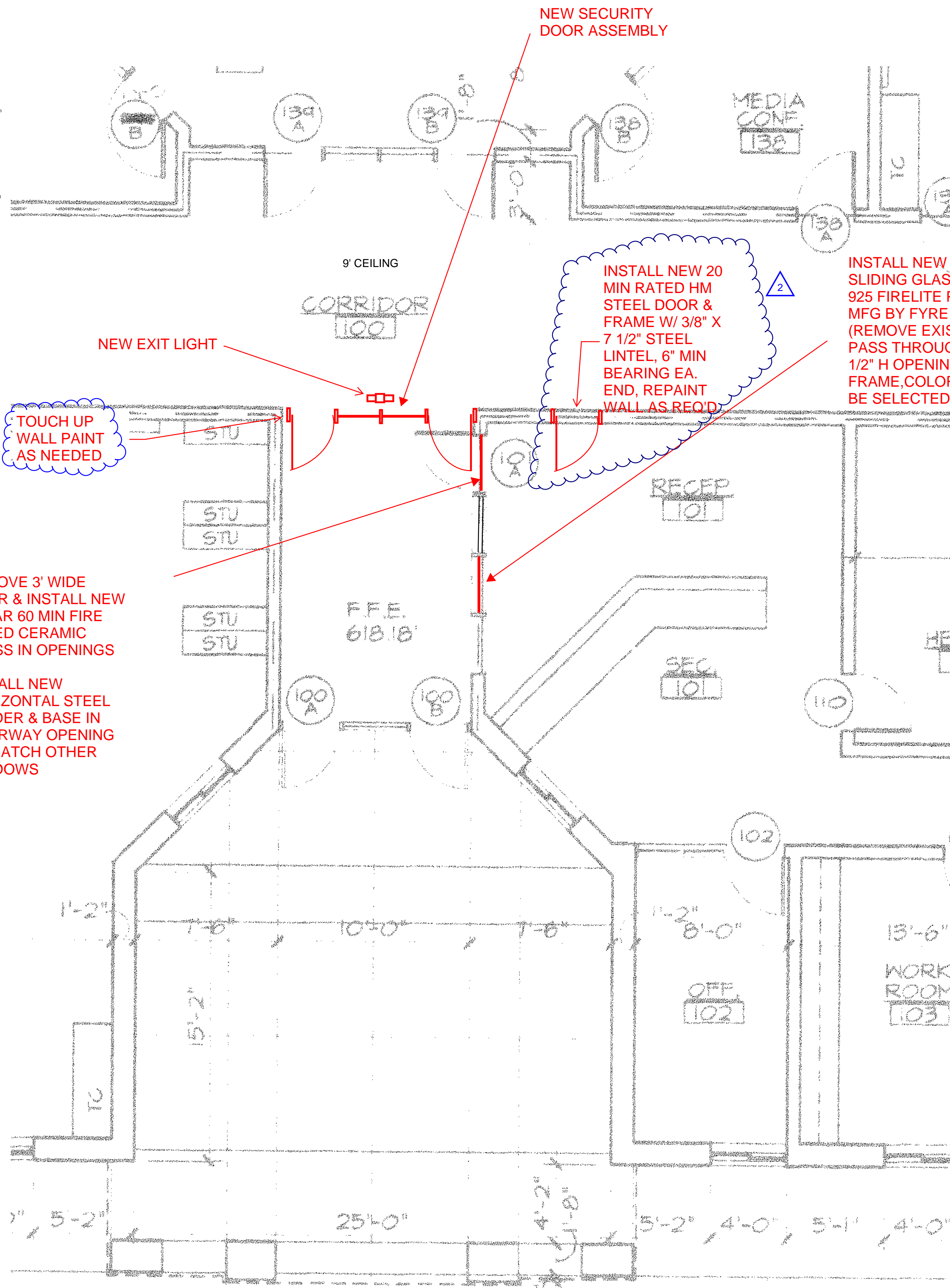
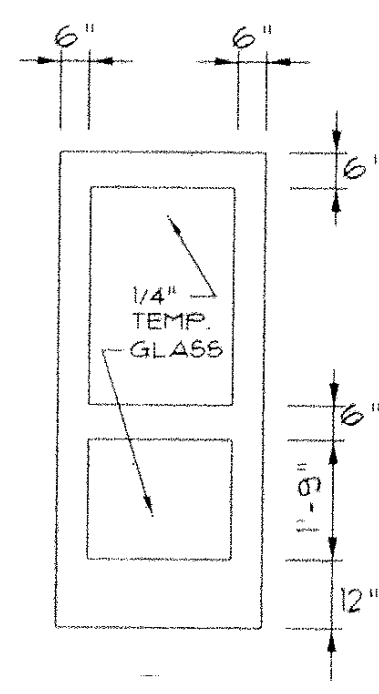
REMOVE 3' WIDE DOOR & INSTALL NEW CLEAR 60 MIN FIRE RATED CERAMIC GLASS IN OPENINGS

INSTALL NEW HORIZONTAL STEEL DIVIDER & BASE IN DOORWAY OPENING TO MATCH OTHER WINDOWS



DOOR HARDWARE & FINISH TO MATCH EXISTING

20 MIN RATED HM STEEL DOOR & FRAME (TO MATCH EXISTING)



GEIGER ELEMENTARY SCHOOL
NOT TO SCALE

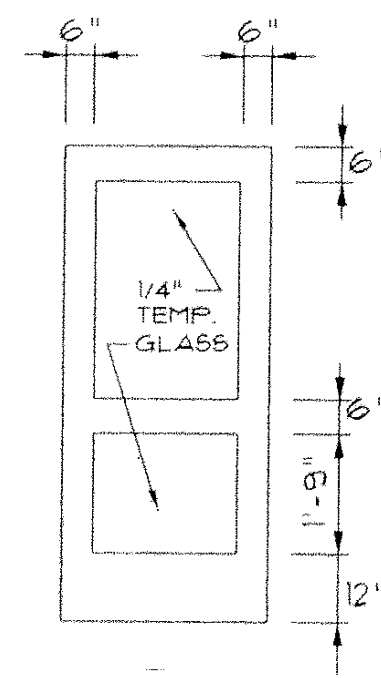
NEW 3'-0" X 6'-8" X 1 3/4" HOLLOW METAL STEEL SECURITY DOORS W/ LOCKING REMOVEABLE CENTER MULLION
 NOMINAL 7'-0" OVERALL ASSEMBLY HEIGHT
 ASSEMBLY FRAME NOMINAL 2" WIDE X 5" DEEP W/ WELDED STEEL REINFORCED HEADER BRACING

(ELECTRIC STRIKE LOCK ON RIGHT SIDE DOOR BY OWNER)

DOOR HARDWARE SHALL INCLUDE :
 VON DUPRIN 99 PANIC BAR
 LCN 4040XP DOOR CLOSER W/ HOLD OPEN
 CUSH-N-STOP ARM (HCUSH)
 4 1/2" HEAVY DUTY BALL BEARING SS HINGES, BOMMER OR EQUAL
 THRESHOLDS (NOT REQUIRED)
 CORBIN RUSWIN LOCK CYLINDERS THAT ARE RIM TYPE D2, 6 PIN
 HANDLES SHALL BE D SHAPE PULL TYPE W/ ESCUTCHEON
 DOORS SHALL BE AS MANUFACTURED BY PIONEER, STEELCRAFT, KAWNEER OR APPROVED EQUAL

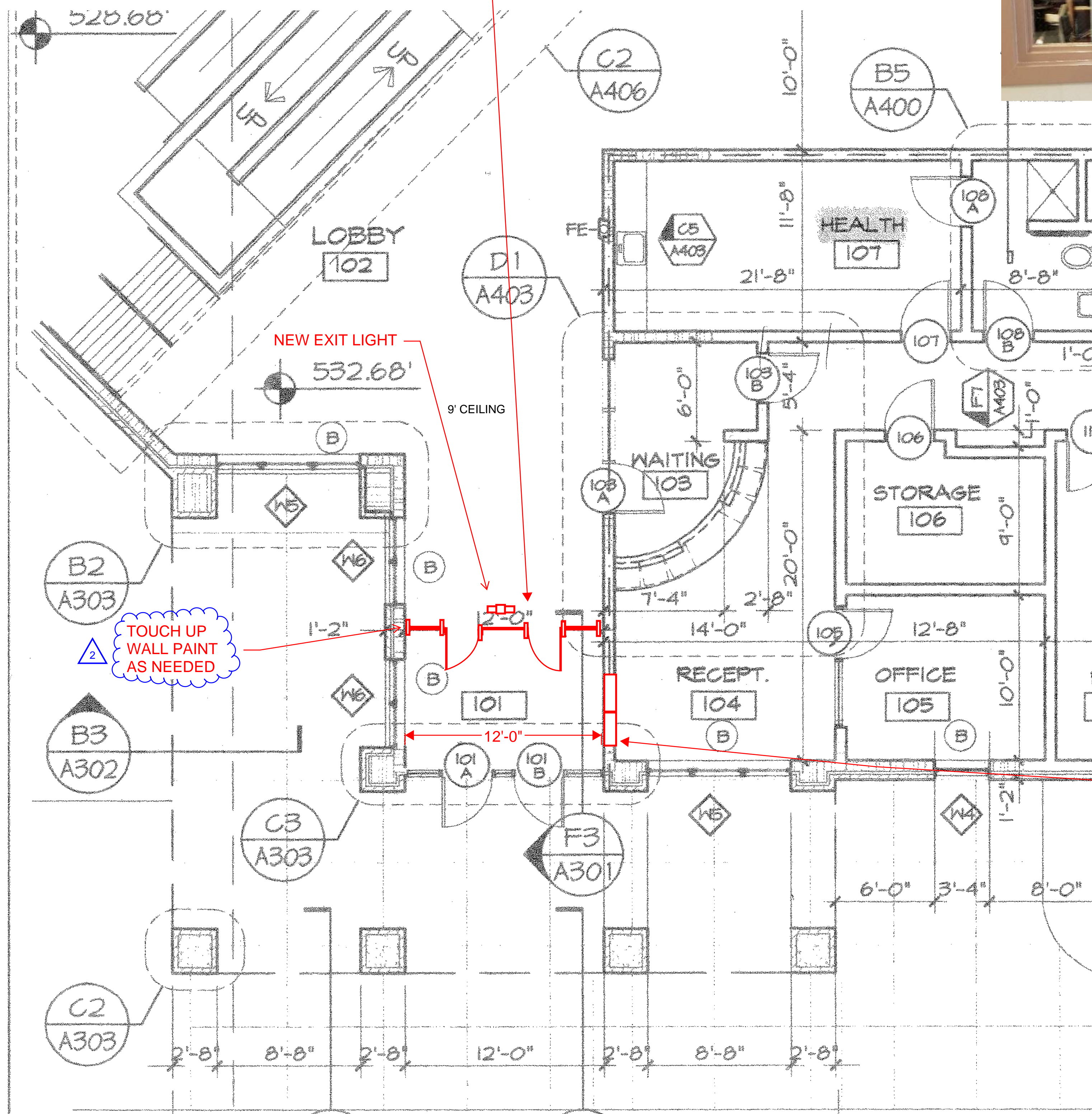


NEW DOUBLE SECURITY DOOR ASSEMBLY (SIMILAR TO ABOVE)
 (COLOR TO BE SELECTED BY OWNER)



LITHONIA LIGHTING EXR EL M6 120 VOLT LED EXIT LIGHT W/ BATTERY BACKUP (CONNECT WIRING TO EXISTING EXIT LIGHT CIRCUIT)

REPAINT BOTH SIDES OF EXISTING FRAME WITH 2 COATS OF SW DURATION GLOSS TO MATCH NEW PASS THROUGH FRAME COLOR



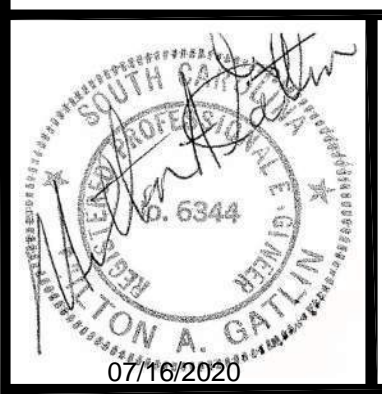
TOUCH UP WALL PAINT AS NEEDED

INSTALL NEW 60 MIN FIRE RATED VERTICAL SLIDING GLASS PASS THROUGH, SERIES 925 FIRELITE PLUS W/ SUBFRAME KIT AS MFG BY FYRE TECH OR APPROVED EQUAL (REMOVE ONE GLASS PANE AND INSTALL PASS THROUGH INSIDE NOMINAL 19 1/2" X 26 1/2" H OPENING IN EXISTING METAL FRAME, COLOR OF NEW METAL FRAME TO BE SELECTED BY OWNER)

KELLY MILLER ELEMENTARY SCHOOL
 NOT TO SCALE



105 SILVER PINE CT
 GREER, SC 29550



KELLY MILLER ELEMENTARY SCHOOL
 255 KELLY MILLER ROAD
 WINNSBORO, SC 29180



FAIRFIELD COUNTY SCHOOLDISTRICT
 1226 US-321 BYP
 WINNSBORO, SC 29180

© 2020 DivTech
 THIS DRAWING AND THE DESIGN THEREON ARE THE PROPERTY OF DivTech
 ANY REPRODUCTION OR UNAUTHORIZED USE THEREOF WITHOUT WRITTEN PERMISSION MAY BE SUBJECT TO LEGAL ACTION.

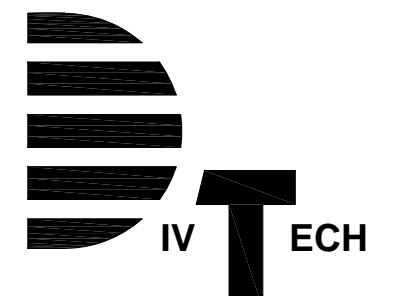
REVISIONS		
NO.	DATE	DESCRIPTION
A	07/16/2020	ISSUED FOR BIDS
B	07/24/2020	ADDENDUM 1
C	07/28/2020	ADDENDUM 2

ITEM	DATE	BY
DESIGN	07/16/2020	MAG
DRAWN	07/16/2020	MAG
CHECKED	07/16/2020	MAG
APPR		
CLIENT APPR		

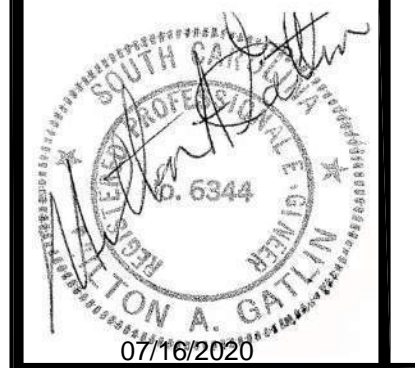
ENTRYWAY UPGRADES

DivTech Project # 20-02

DWG	GA-8	REVISION	C
-----	------	----------	---



105 SILVER PINE CT
GREER, SC 29550



**McCROREY-LISTON
SCHOOL OF
TECHNOLOGY**
1978 STATE HWY 215
BLAIR, SC 29015



**FAIRFIELD COUNTY
SCHOOLDISTRICT**
1226 US-321 BYP
WINNSBORO, SC 29180

© 2020 DivTech

THIS DRAWING AND THE
DESIGN THEREON ARE THE
PROPERTY OF

DivTech

ANY REPRODUCTION OR UNAUTHORIZED USE
THEREOF WITHOUT WRITTEN PERMISSION MAY
BE SUBJECT TO LEGAL ACTION.

REVISIONS

NO.	DATE	DESCRIPTION
A	07/16/2020	ISSUED FOR BIDS
B	07/24/2020	ADDENDUM 1
C	07/28/2020	ADDENDUM 2

ITEM	DATE	BY
DESIGN	07/16/2020	MAG
DRAWN	07/16/2020	MAG
CHECKED	07/16/2020	MAG
APPR		
CLIENT APPR		

ENTRYWAY UPGRADES

DivTech Project # 20-02

DWG	GA-9	REVISION	C
-----	-------------	----------	----------



LITHONIA LIGHTING EXR EL M6 120
VOLT LED EXIT LIGHT W/ BATTERY
BACKUP (CONNECT WIRING TO
EXISTING EXIT LIGHT CIRCUIT)

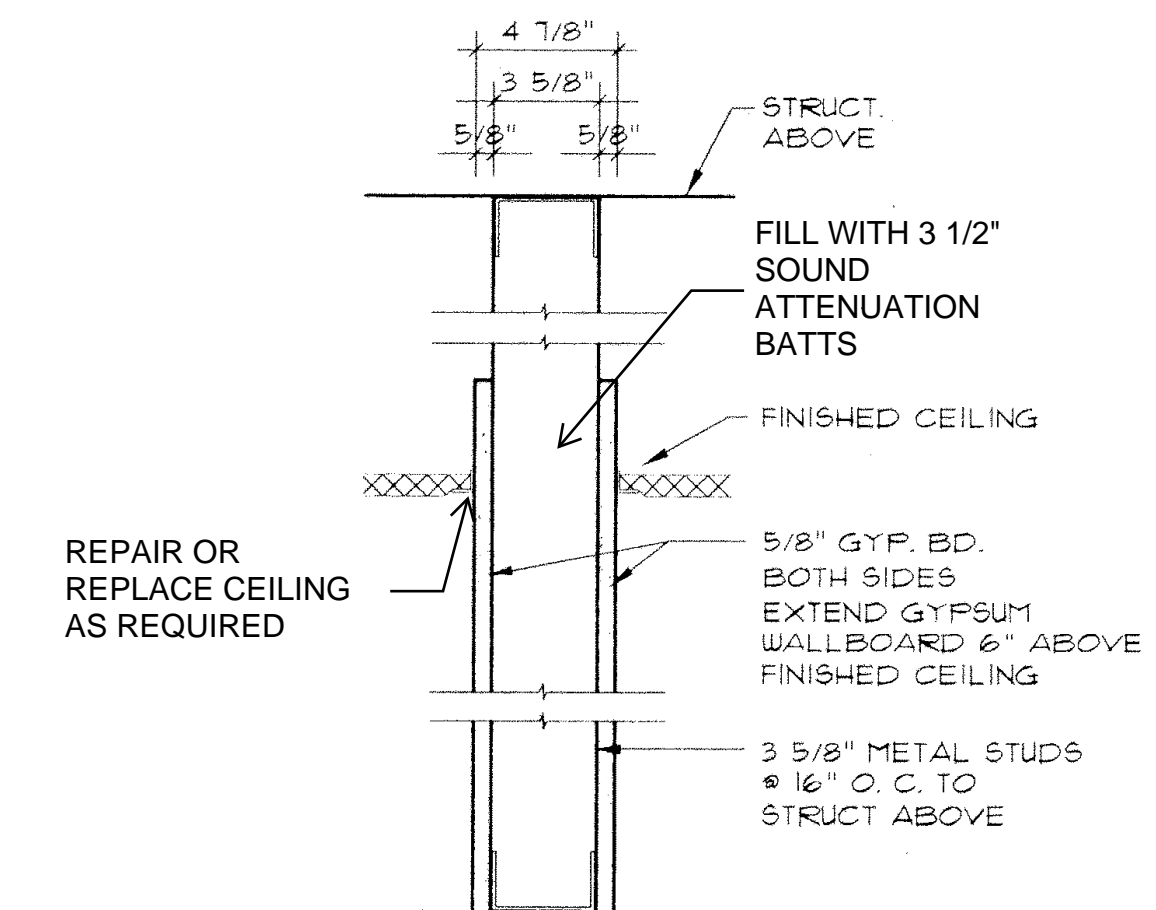
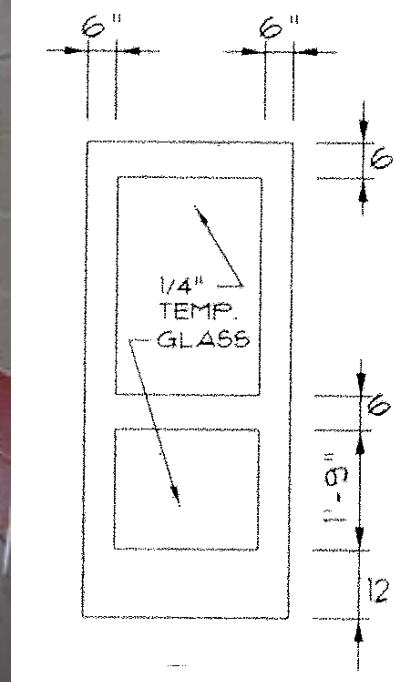
NEW 3'-0" X 6'-8" X 1 3/4" HOLLOW METAL STEEL
SECURITY DOORS W/ LOCKING REMOVEABLE
CENTER MULLION
NOMINAL 7'-0" OVERALL ASSEMBLY HEIGHT
ASSEMBLY FRAME NOMINAL 2" WIDE X 5" DEEP W/
WELDED STEEL REINFORCED HEADER BRACING

(ELECTRIC STRIKE LOCK ON RIGHT SIDE DOOR BY
OWNER)

DOOR HARDWARE SHALL INCLUDE :
VON DUPRIN 99 PANIC BAR
LCN 4040XP DOOR CLOSER W/ HOLD OPEN
CUSH-N-STOP ARM (HCUSH)
4 1/2" HEAVY DUTY BALL BEARING SS HINGES,
BOMMER OR EQUAL)
THRESHOLDS (NOT REQUIRED)
CORBIN RUSWIN LOCK CYLINDERS THAT ARE RIM
TYPE D2, 6 PIN
HANDLES SHALL BE D SHAPE PULL TYPE W/
ESCUTCHEON
DOORS SHALL BE AS MANUFACTURED BY
PIONEER, STEELCRAFT, KAWNEER OR APPROVED
EQUAL



NEW DOUBLE SECURITY DOOR ASSEMBLY
(SIMILAR TO ABOVE)
(COLOR TO BE SELECTED BY OWNER)



NEW GYP BD WALL

REPAIR OR
REPLACE CEILING
AS REQUIRED

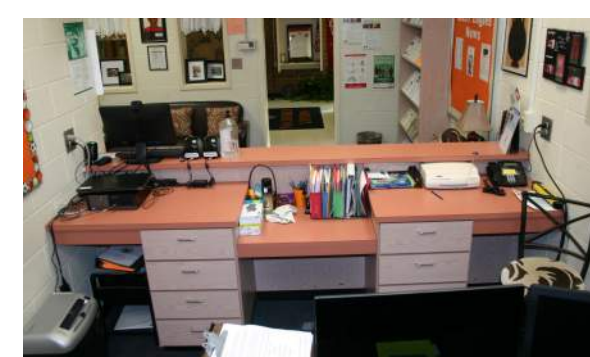
NEW 30" W X 48" H NON-RATED
VERTICAL LIFT .25" TEMPERED GLASS
PASS THROUGH W/ ALUM HANDLE,
DARK BRONZE ANODIZED FINISH AND
LATCH, MODEL CSE-QS-SUI-200 AS
MFD BY COVENANT SECURITY
EQUIPMENT OR APPROVED EQUAL
(INSTALL 38" AFF)

NEW EXIT LIGHT

NEW DOUBLE
SECURITY DOOR
ASSEMBLY

NEW 5/8" GYP BD
WALL W/ 3 5/8"
METAL STUDS
(PAINT ALL NEW
GYP BD W/ 1 COAT
OF PRIMER & 2
COATS SW
DURATION, COLOR
PER OWNER)

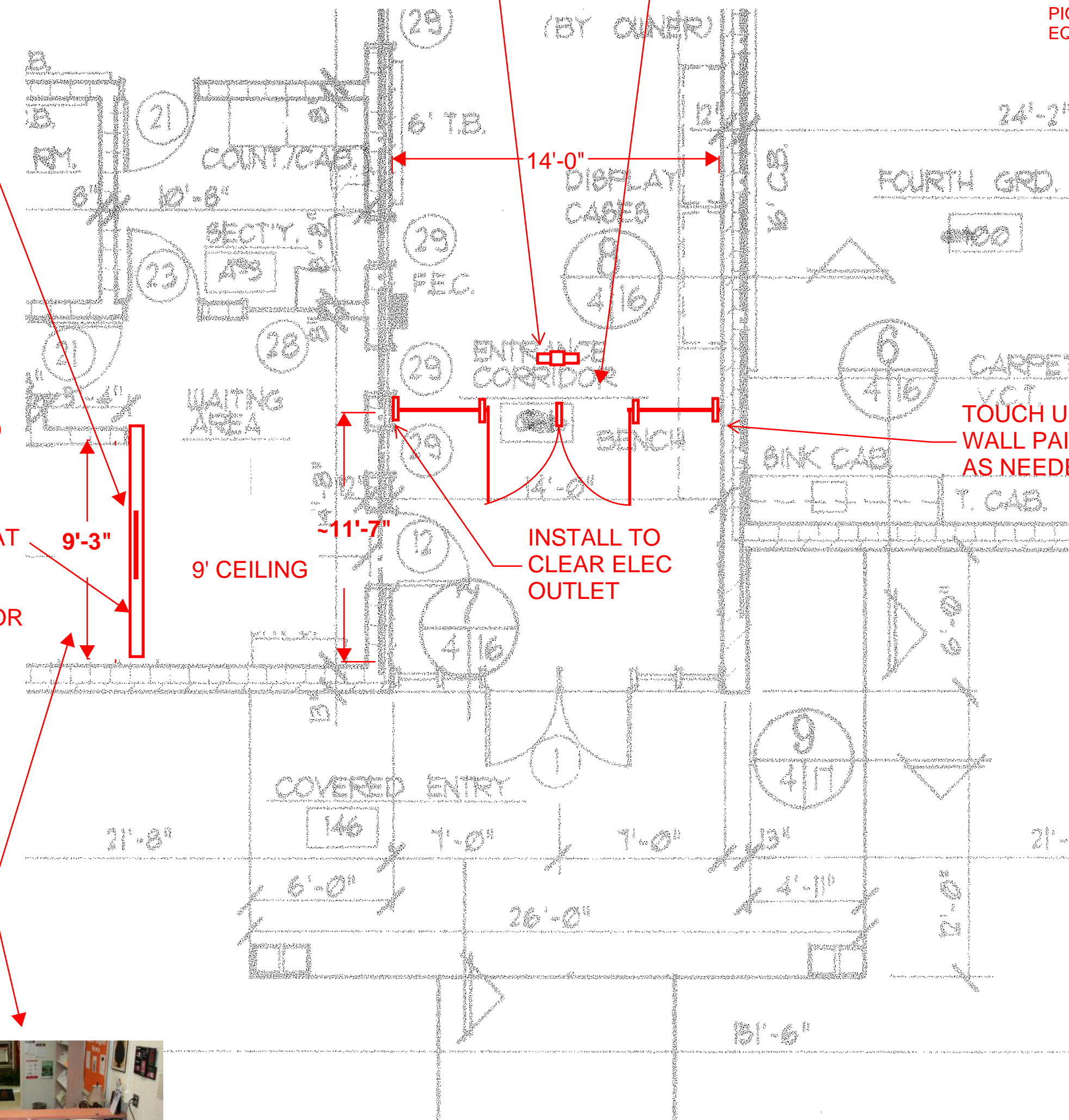
REMOVE
RECEPTION
COUNTER AND
CABINET AND
TURN OVER TO
OWNER



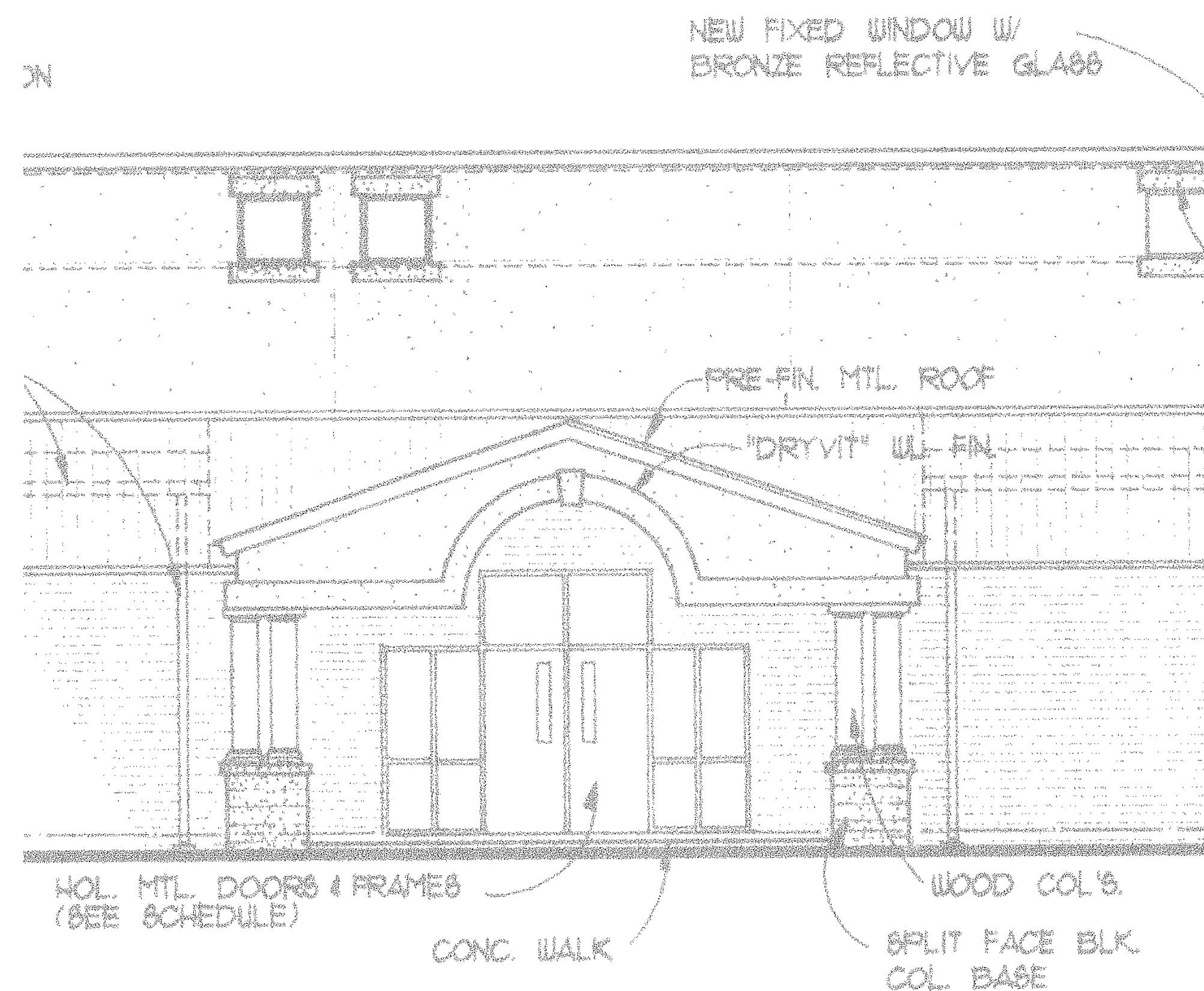
RECEPTION COUNTER



CABINET

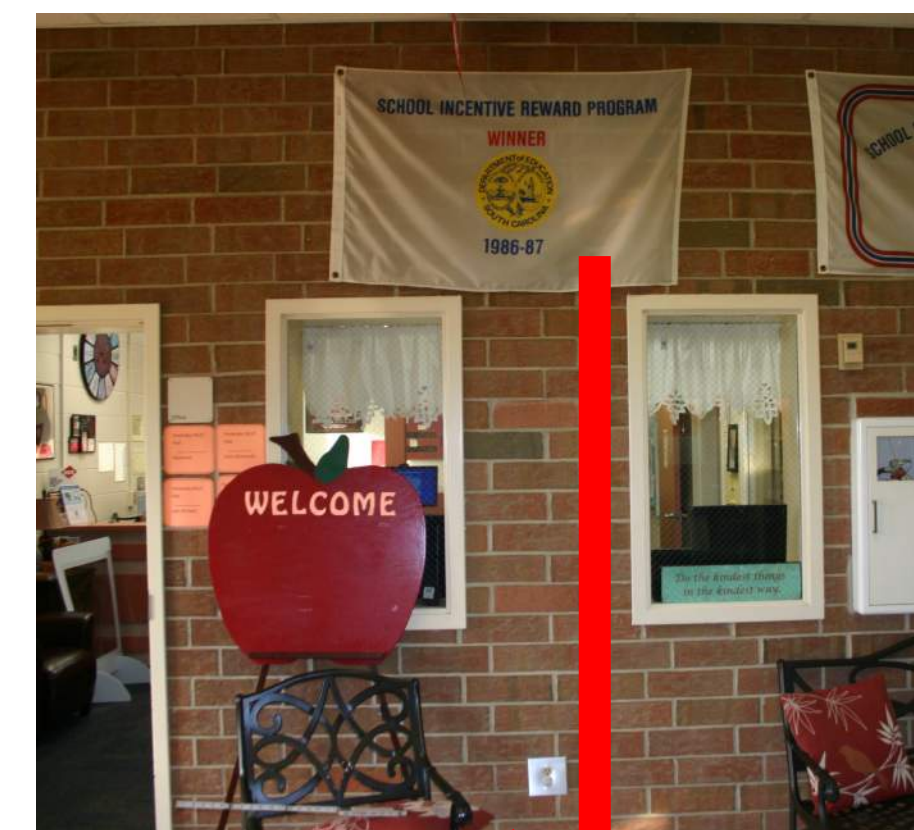


ENTRANCE PLAN



FRONT ENTRANCE

McCROREY-LISTON SCHOOL OF TECHNOLOGY
NOT TO SCALE



INSTALL TO
CLEAR ELEC
RECEPT.

NEW DOOR
ASSEMBLY