

NORTHERN & CENTRAL COMMONS AND GYM A/V SYSTEMS UPGRADES

PORTAGE PUBLIC SCHOOLS
8107 MUSTANG DR.
Portage, MI 49002

DESIGN TEAM

ARCHITECT/ENGINEER

TowerPinkster
Architecture · Engineering · Interiors

242 E. KALAMAZOO AVE, SUITE 100
KALAMAZOO, MICHIGAN 49007
PHONE: 269.343.6133
FAX: 269.343.6633

REFERENCED CODES

BUILDING: 2015 MICHIGAN BUILDING CODE AND 2012 NFPA 101 LIFE SAFETY CODE
ENERGY: 2015 MICHIGAN ENERGY CODE
PLUMBING: 2018 MICHIGAN PLUMBING CODE
MECHANICAL: 2015 MICHIGAN MECHANICAL CODE
FUEL GAS: (IFGC) 2015 INTERNATIONAL FUEL GAS CODE
ELECTRICAL: 2017 NATIONAL ELECTRICAL CODE WITH MICHIGAN AMENDMENTS
BARRIER-FREE: 2015 MICHIGAN BUILDING CODE AND 2009 ICC & C A117.1

DRAWING INDEX

GENERAL
G 001 COVER SHEET

TECHNOLOGY
T 001 TECHNOLOGY SYMBOLS AND GENERAL NOTES
T 101CC CENTRAL HS COMMONS - FIRST FLOOR TECHNOLOGY PLAN
T 101CG CENTRAL HS GYM - FIRST FLOOR TECHNOLOGY PLAN
T 101NC NORTHERN HS COMMONS - FIRST FLOOR TECHNOLOGY PLAN
T 401 TECHNOLOGY DETAILS - AV1 - NHS COMMONS AV
T 402 TECHNOLOGY DETAILS - AV2 - CHS COMMONS AV
T 403 TECHNOLOGY DETAILS - AV3 - CHS GYM AV

SITE ADDRESS

OWNER NAME
STREET ADDRESS
CITY, STATE ZIP CODE

TowerPinkster
Architecture · Engineering · Interiors

ISSUED FOR DATE

PROJECT TITLE
NORTHERN & CENTRAL COMMONS AND
GYM A/V SYSTEMS UPGRADES

OWNER
PORTAGE PUBLIC SCHOOLS

8107 MUSTANG DR.
Portage, MI 49002

SHEET TITLE
COVER SHEET

DATE
APRIL 20TH, 2023

SHEET NUMBER
G 001
23-149

TowerPinkster
Architecture · Engineering · Interiors
TOWERPINKSTER.COM
© 2023 ALL RIGHTS RESERVED

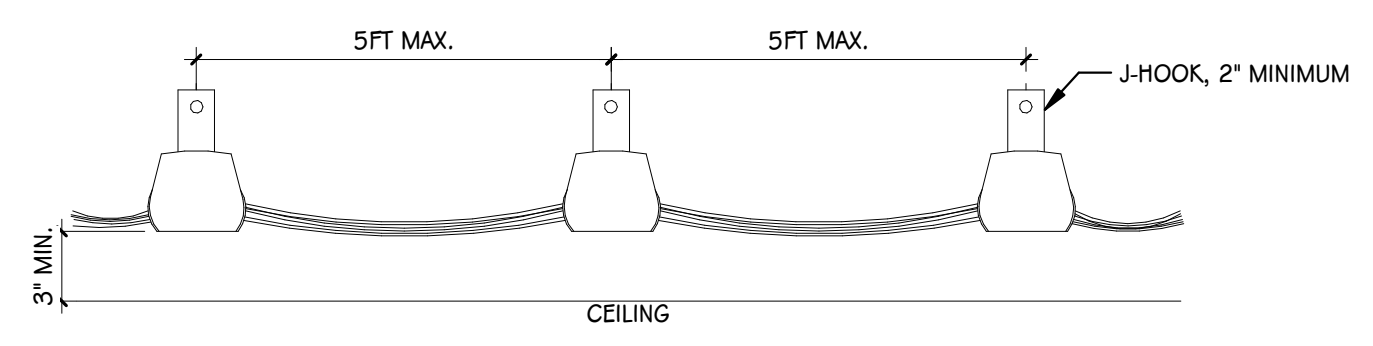
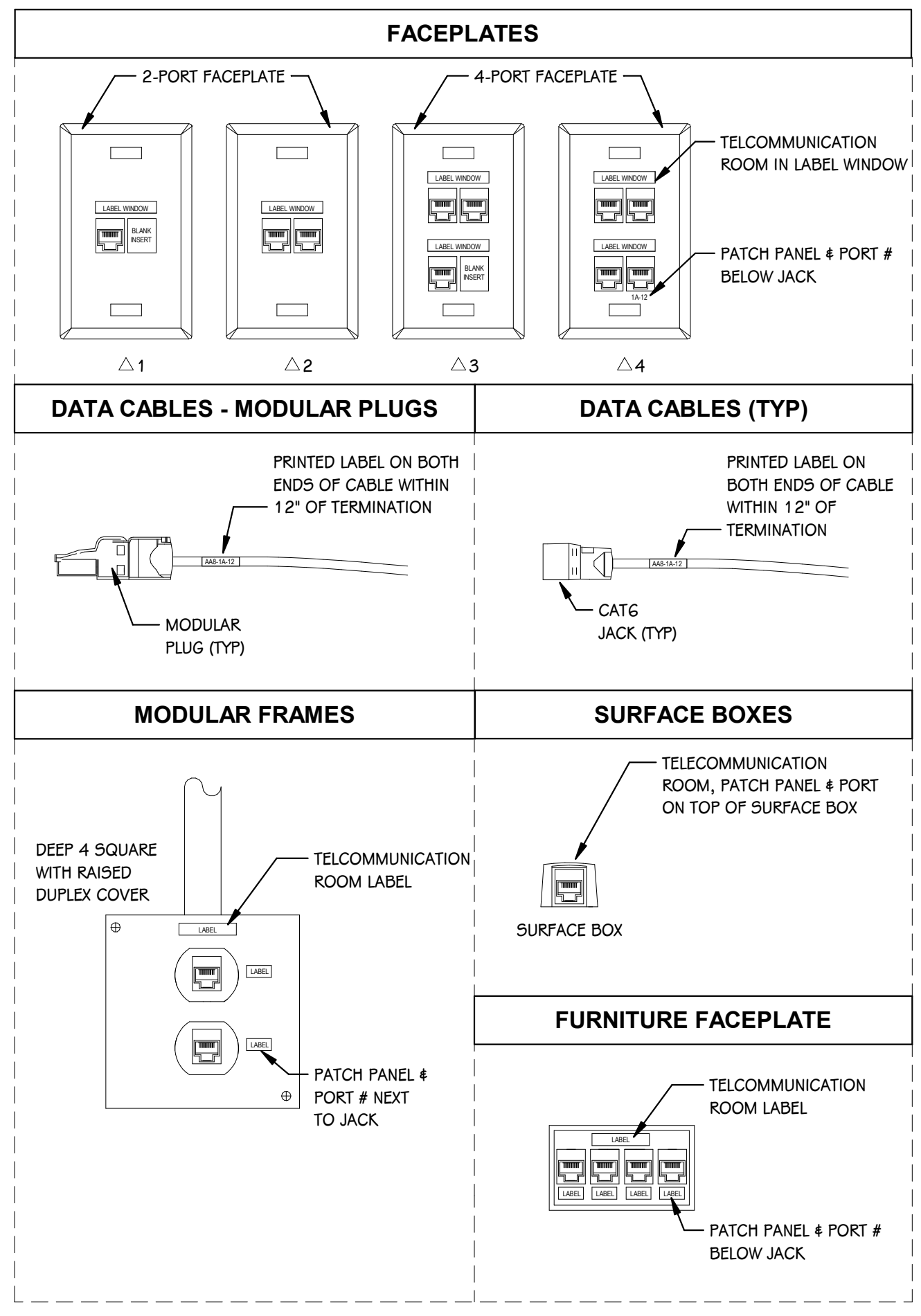
STRUCTURED CABLING SCHEDULE

DESCRIPTION	ENVIRONMENTAL SPACE	COLOR	PERFORMANCE LEVEL	MANUFACTURER	MFG. PART NUMBER	PURPOSE	CABLING NOTES
CABLE	PLENUM	WHITE	CAT6	GENERAL CABLE	7131801	ALL DATA CONNECTIONS	
CABLE	RISER	WHITE	CAT6	GENERAL CABLE	7133801	ALL DATA CONNECTIONS	
JACK MODULE	NA	RED	CAT6	PANDUIT	CJ688TGRD	COPPER BACKBONE	INSTALL ON EACH END OF INSTALLED CABLE
JACK MODULE	NA	ORANGE	CAT6	PANDUIT	CJ688TGOR	RESERVED	INSTALL ON EACH END OF INSTALLED CABLE
JACK MODULE	NA	YELLOW	CAT6	PANDUIT	CJ688TGYL	WIRELESS ACCESS POINT	INSTALL ON EACH END OF INSTALLED CABLE
JACK MODULE	NA	GREEN	CAT6	PANDUIT	CJ688TGGR	FACILITIES	INSTALL ON EACH END OF INSTALLED CABLE
JACK MODULE	NA	BLUE	CAT6	PANDUIT	CJ688TGBU	SPECIAL NETWORK	INSTALL ON EACH END OF INSTALLED CABLE
JACK MODULE	NA	VIOLET	CAT6	PANDUIT	CJ688TGVLT	SECURITY CAMERAS	INSTALL ON EACH END OF INSTALLED CABLE
JACK MODULE	NA	BLACK	CAT6	PANDUIT	CJ688TGBL	RESERVED	INSTALL ON EACH END OF INSTALLED CABLE
JACK MODULE	NA	GREY	CAT6	PANDUIT	CJ688TGIG	POTS LINE	INSTALL ON EACH END OF INSTALLED CABLE
JACK MODULE	NA	IVORY, WHITE OR OFF-WHITE	CAT6	PANDUIT	CJ688TG**	GENERAL DATA & IP PHONES	INSTALL ON EACH END OF INSTALLED CABLE
1-PORT FACEPLATE (PLASTIC)	NA	SEE NOTES	NA	PANDUIT	CFPL1**Y		COLOR & MATERIAL SHALL MATCH ELECTRICAL DEVICES WITHIN SAME SPACE
2-PORT FACEPLATE (PLASTIC)	NA	SEE NOTES	NA	PANDUIT	CFPL2**Y		COLOR & MATERIAL SHALL MATCH ELECTRICAL DEVICES WITHIN SAME SPACE
2-PORT FACEPLATE (STAINLESS STEEL)	NA	SEE NOTES	NA	PANDUIT	CFPL2**S		COLOR & MATERIAL SHALL MATCH ELECTRICAL DEVICES WITHIN SAME SPACE
3-PORT FACEPLATE (PLASTIC)	NA	SEE NOTES	NA	PANDUIT	CFPL3**Y		COLOR & MATERIAL SHALL MATCH ELECTRICAL DEVICES WITHIN SAME SPACE
4-PORT FACEPLATE (PLASTIC)	NA	SEE NOTES	NA	PANDUIT	CFPL4**Y		COLOR & MATERIAL SHALL MATCH ELECTRICAL DEVICES WITHIN SAME SPACE
4-PORT FACEPLATE (STAINLESS STEEL)	NA	SEE NOTES	NA	PANDUIT	CFPL4**S		COLOR & MATERIAL SHALL MATCH ELECTRICAL DEVICES WITHIN SAME SPACE
6-PORT FACEPLATE (PLASTIC)	NA	SEE NOTES	NA	PANDUIT	CFPL6**Y		COLOR & MATERIAL SHALL MATCH ELECTRICAL DEVICES WITHIN SAME SPACE
6-PORT FACEPLATE (STAINLESS STEEL)	NA	SEE NOTES	NA	PANDUIT	CFPL6**S		COLOR & MATERIAL SHALL MATCH ELECTRICAL DEVICES WITHIN SAME SPACE
10-PORT FACEPLATE, 2-GANG (PLASTIC)	NA	SEE NOTES	NA	PANDUIT	CFPE10**-2GY		COLOR & MATERIAL SHALL MATCH ELECTRICAL DEVICES WITHIN SAME SPACE
10-PORT FACEPLATE, 2-GANG (STAINLESS STEEL)	NA	SEE NOTES	NA	PANDUIT	CFPE10**-2GS		COLOR & MATERIAL SHALL MATCH ELECTRICAL DEVICES WITHIN SAME SPACE
1-PORT SURFACE BOX	PLENUM	SEE NOTES	NA	PANDUIT	CBX1**-A		COLOR & MATERIAL SHALL MATCH ELECTRICAL DEVICES WITHIN SAME SPACE
2-PORT SURFACE BOX	PLENUM	SEE NOTES	NA	PANDUIT	CBX2**-A		COLOR & MATERIAL SHALL MATCH ELECTRICAL DEVICES WITHIN SAME SPACE
4-PORT FURNITURE ADAPTER	NA	SEE NOTES	NA	PANDUIT	NA	ALL MODULAR FURNITURE CONNECTIONS	MATCH WITH FURNITURE MFG.
PATCH CABLE	PLENUM	MATCH JACK MODULE COLOR	CAT6	PANDUIT	UPP***10	ALL DATA CONNECTIONS IN PLENUM SPACE	LENGTH = 10FT (PROVIDE/INSTALL 1 PER INSTALLED CABLE)
PATCH CABLE	RISER	WHITE	CAT6	PANDUIT	UTP289P1	CROSS-CONNECT BETWEEN PATCH PANEL AND NETWORK SWITCH	LENGTH = 1FT (PROVIDE/INSTALL 1 PER INSTALLED CABLE)
PATCH CABLE	RISER	WHITE	CAT6	PANDUIT	UTP5910Y	CONNECTION AT WORKSTATION/DEVICE	LENGTH = 10FT (PROVIDE/INSTALL 1 PER INSTALLED CABLE)

STRUCTURED CABLING	MOUNTING HEIGHTS	GENERAL TECHNOLOGY NOTES
DATA/VOICE OUTLET - 4 50 BOX, 56 COVER, 1" CONDUIT STUB	16"	1 TECHNOLOGY CONTRACTOR SHALL BE RESPONSIBLE FOR ALL CUTTING AND PATCHING REQUIRED FOR NEW WORK OR WHERE DEVICES ARE REMOVED AND NOT REPLACED. 2 TECHNOLOGY CONTRACTOR SHALL ALIGN DEVICES VERTICALLY AND HORIZONTALLY AND FOLLOW THE RULES OF THIS DETAIL CONSISTENTLY. A PRE-INSTALL DEVICE COORDINATION MEETING FOR DEVICE FINISHES AND LAYOUT MAY BE REQUIRED IN THE SPECIFICATION FOR THIS PROJECT. 3 REFER TO TECHNOLOGY DETAILS AND ELEVATIONS FOR SYMBOL INFORMATION AND ELEVATION DETAIL. 4 DEVICES AND EQUIPMENT SHOWN DASHED OR WITH AN "X" ARE TO BE REMOVED. FIXTURES, DEVICES AND EQUIPMENT SHOWN LIGHTLY OR WITH AN "E" ARE EXISTING TO REMAIN UNDISTURBED. 5 ALL PROGRAMMING WILL BE PERFORMED BY OWNER. 6 TEMPORARILY SUPPORT EXISTING CEILING DEVICES TO REMAIN IN EXISTING CEILINGS TO BE REPLACED. REINSTALL DEVICES INTO NEW CEILING. 7 CONTRACTOR SHALL BE RESPONSIBLE FOR PROJECT PHASING. TEMPORARY WIRING TO KEEP SYSTEMS RUNNING SHALL BE PROVIDED AS REQUIRED WHILE BUILDING IS OCCUPIED BETWEEN PHASES OF CONSTRUCTION.
DATA/VOICE OUTLET - 4 50 BOX, 56 COVER, SURFACE ANM500	16"	
4" ABOVE BACKSLASH DATA/VOICE OUTLET - 4 50 BOX, 56 COVER, 1" CONDUIT STUB	16"	
SECURITY CONTROLS PATHWAY - 4 50 BOX, 56 COVER WITH BRUSH PLATE, 1" CONDUIT STUB	16"	
WIRELESS ACCESS POINT (REFER TO DETAILS)		
GROUNDING BUS BAR WITH DEDICATED GROUND, (REFER TO DETAILS)		
CABLE TRAY, (12"x4" UNLESS NOTED OTHERWISE)	90" TO CENTER	
CLOCK (REFER TO DETAILS)		
MASTER CLOCK PANEL		
PAGING SYSTEM HEAD END		
NETWORK COMMUNICATION RACK - FLOOR STANDING 3" CLEAR ON BOTH SIDES	12"	
4"x8"x3/4" FIRE-RATED PLYWOOD, AC FINISH, MOUNT VERTICALLY		
CONDUIT SLEEVE IN ACCESSIBLE CEILING (2" CONDUIT UNLESS NOTED OTHERWISE, ONLY SHOWN ON PLANS INDICATING SPECIFIC CONDITIONS, REFER TO GENERAL NOTES FOR SLEEVES THAT ARE REQUIRED INTO ALL SPACES)		

AUDIO/VISUAL	MOUNTING HEIGHTS	GENERAL TECHNOLOGY NOTES
FLAT PANEL DISPLAY LOCATION WITH EXISTING POWER AND LV PATHWAY		7 CONTRACTOR SHALL BE RESPONSIBLE FOR PROJECT PHASING. TEMPORARY WIRING TO KEEP SYSTEMS RUNNING SHALL BE PROVIDED AS REQUIRED WHILE BUILDING IS OCCUPIED BETWEEN PHASES OF CONSTRUCTION.
PROJECTOR LOCATION (POWER BY OTHERS)		
AV WALLPLATE (REFER TO DETAILS)		
TOUCH PANEL LOCATION (REFER TO DETAILS)		
MICROPHONE JACK	16"	
CEILING BOX, (REFER TO DETAILS)		
BLUETOOTH DEVICE - DEEP 4 50 BOX, 1-G OPENING, (REFER TO DETAILS)	40"	
ANTENNA, (REFER TO DETAILS)		
PROJECTOR SCREEN, (REFER TO DETAILS)		
LOUDSPEAKER CEILING - MOUNTED		
LOUDSPEAKER WALL - MOUNTED		
VOLUME CONTROL	40"	

AUDIO/VISUAL	MOUNTING HEIGHTS	GENERAL TECHNOLOGY NOTES
NOTES: MOUNT DEVICES AT HEIGHTS INDICATED UNLESS INDICATED OTHERWISE ON PLANS. HEIGHTS ARE TO BOTTOM OF DEVICE.		



TowerPinkster

Architecture · Engineering · Interiors

TOWERPINKSTER.COM © 2023 ALL RIGHTS RESERVED

PROJECT TITLE
NORTHERN & CENTRAL COMMONS AND GYM AV SYSTEMS UPGRADES

ISSUED FOR
DATE

OWNER
PORTAGE PUBLIC SCHOOLS

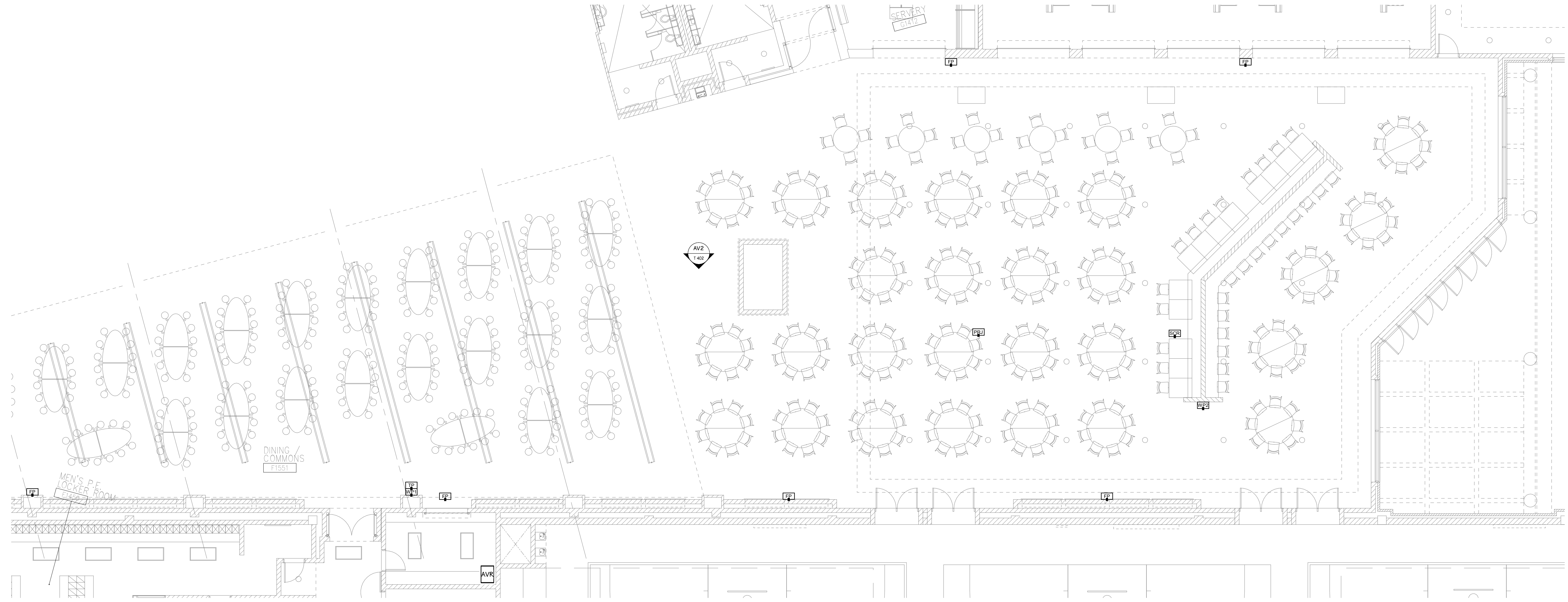
8107 MUSTANG DR.
Portage, MI 49002

SHEET TITLE
TECHNOLOGY SYMBOLS AND GENERAL NOTES

DATE
APRIL 20TH, 2023

SHEET NUMBER
T 001

23-149



CENTRAL HIGH SCHOOL COMMONS - FIRST FLOOR TECHNOLOGY PLAN
 1/8" = 1'-0"

SHEET TITLE
 CENTRAL HS COMMONS - FIRST FLOOR
 TECHNOLOGY PLAN

SHEET NUMBER
T 101CC
 23-149

DATE
 APRIL 20TH, 2023

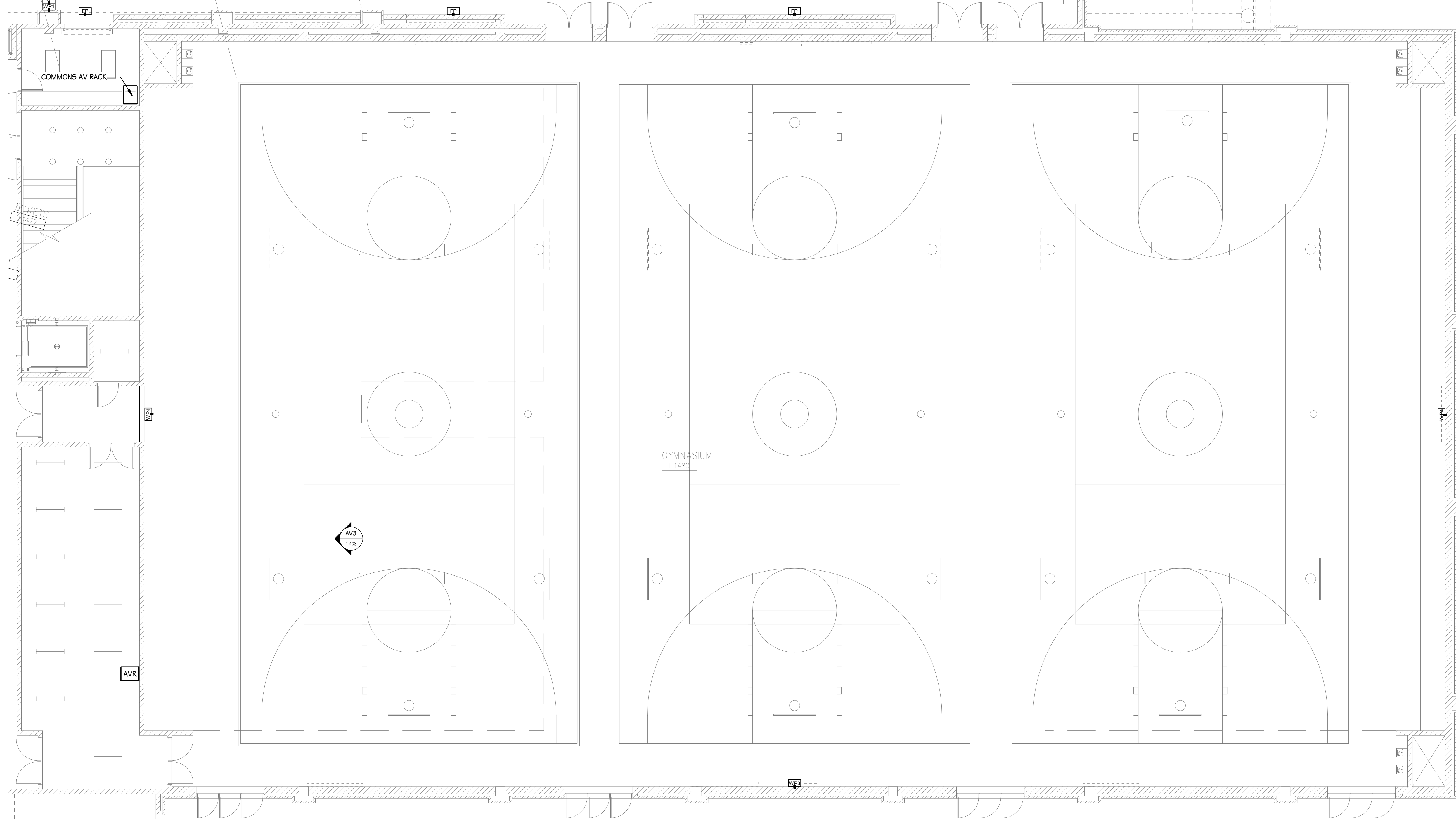
OWNER
 PORTAGE PUBLIC SCHOOLS

8107 MUSTANG DR.
 Portage, MI 49002

PROJECT TITLE
 NORTHERN & CENTRAL COMMONS AND
 GYM AV SYSTEMS UPGRADES

ISSUED FOR

DATE



CENTRAL HIGH SCHOOL GYM - FIRST FLOOR TECHNOLOGY PLAN

1/8" = 1'-0"

SHEET TITLE
CENTRAL HS GYM - FIRST FLOOR
TECHNOLOGY PLAN

SHEET NUMBER
T 101CG

23-149

DATE
APRIL 20TH, 2023

OWNER
PORTAGE PUBLIC SCHOOLS

8107 MUSTANG DR.
Portage, MI 49002

PROJECT TITLE
NORTHERN & CENTRAL COMMONS AND
GYM AV SYSTEMS UPGRADES

ISSUED FOR

DATE



NORTHERN HIGH SCHOOL COMMONS - FIRST FLOOR TECHNOLOGY PLAN
 1/8" = 1'-0"

SHEET TITLE
 NORTHERN HS COMMONS - FIRST
 FLOOR TECHNOLOGY PLAN

SHEET NUMBER
T-101NC
 23-149

OWNER
 PORTAGE PUBLIC SCHOOLS
 8107 MUSTANG DR.
 Portage, MI 49002

PROJECT TITLE
 NORTHERN & CENTRAL COMMONS AND
 GYM AV SYSTEMS UPGRADES

ISSUED FOR _____ DATE _____

ISSUED FOR DATE

PROJECT TITLE
**NORTHERN & CENTRAL COMMONS AND
GYM AV SYSTEMS UPGRADES**

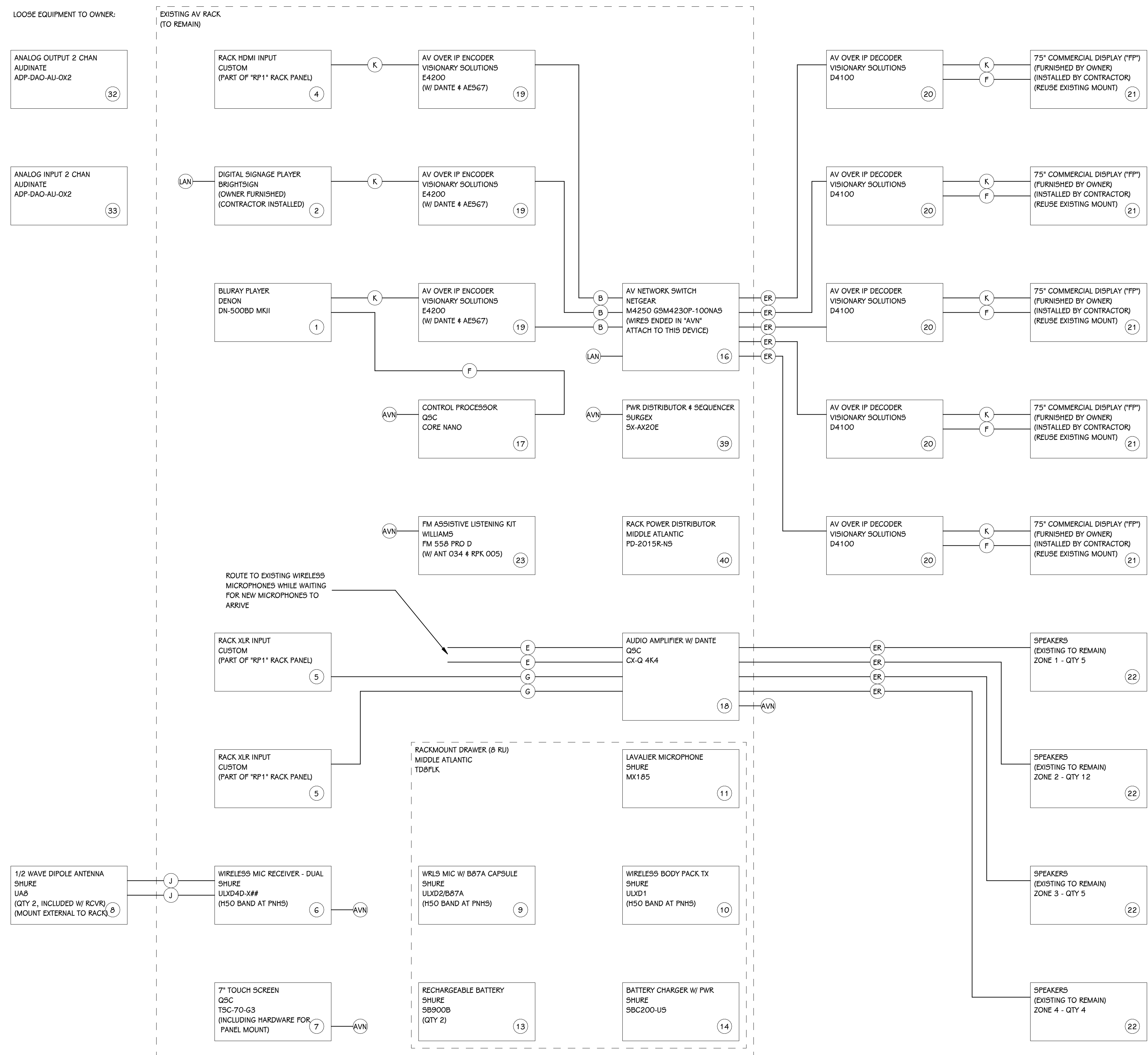
OWNER
PORTAGE PUBLIC SCHOOLS

SHEET TITLE
**TECHNOLOGY DETAILS - AV1 - NHS
COMMONS AV**

8107 MUSTANG DR.
Portage, MI 49002

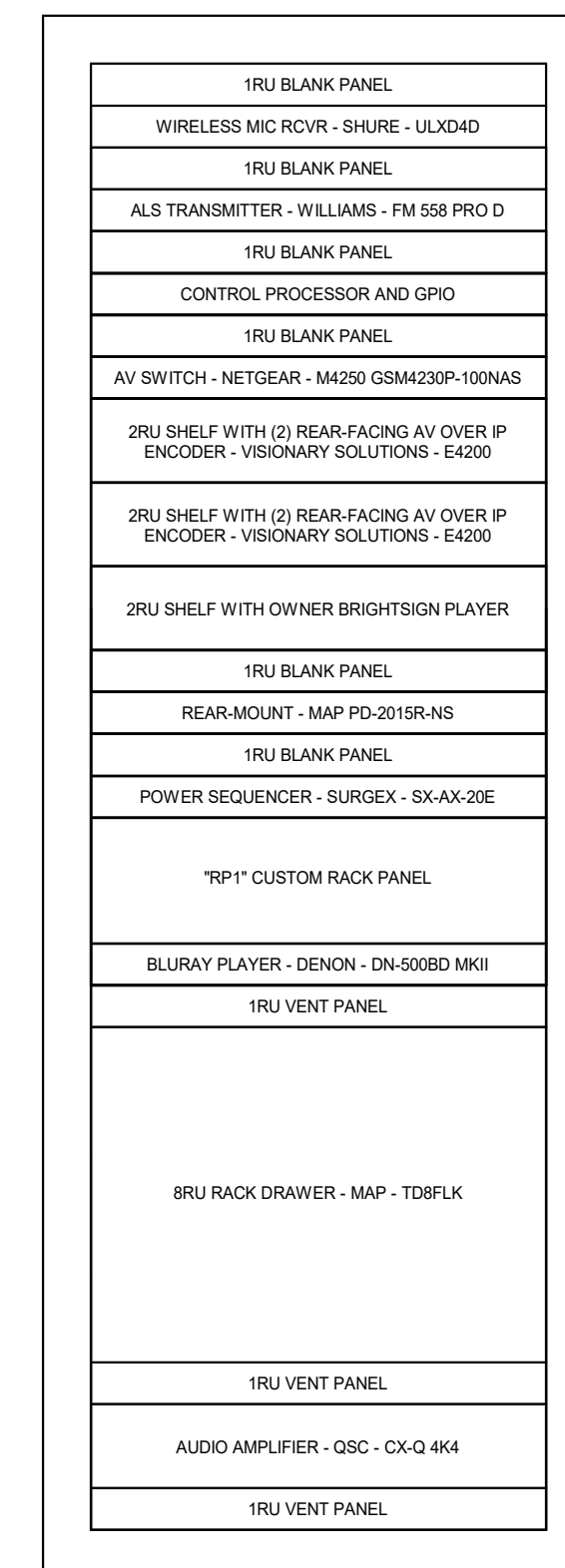
DATE
APRIL 20TH, 2023

SHEET NUMBER
T 401
23-149

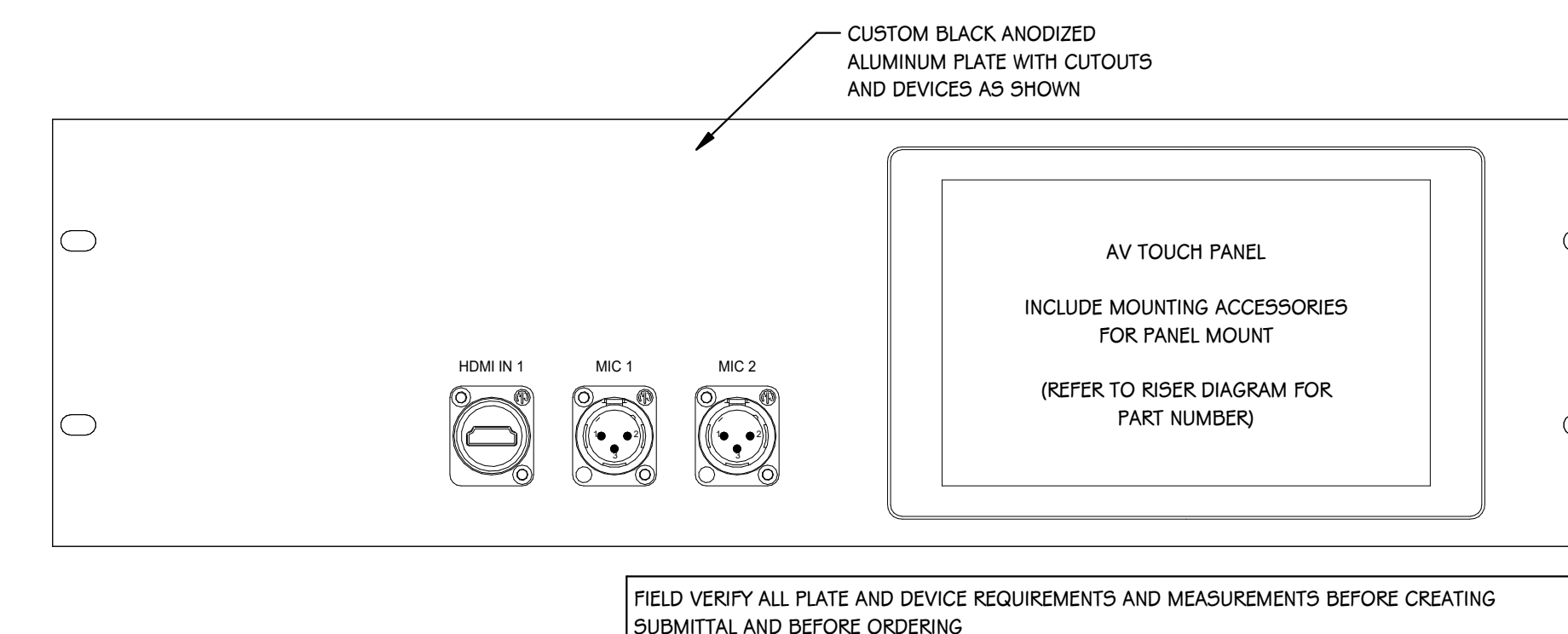


AV1 RISER DIAGRAM - PNHS COMMONS AV
SCALE: NONE

DEMO ALL EQUIPMENT NO LONGER REQUIRED FROM RACK AND RETURN TO OWNER OR, AT OWNERS DIRECTION, RECYCLE. RE-DRESS AND LABEL ALL NEW AND EXISTING CABLING.



NHS RACK ELEVATION DETAIL
1/12" = 1'-0"



"RP1" RACK PANEL DETAIL
6" = 1'-0"

AV1 EQUIPMENT SCHEDULE				
KEY #	DESCRIPTION	MANUFACTURER	PART #	COMMENTS
1	BLURAY PLAYER	DENON	DN-500BD MKII	
2	DIGITAL SIGNAGE PLAYER	BRIGHTSIGN		
4	RACK HDMI INPUT	CUSTOM		
5	RACK XLR INPUT	CUSTOM		
6	WIRELESS MIC RECEIVER - DUAL	SHURE	ULXD4D-X##	
7	7" TOUCH SCREEN	QSC	TSC-70-G3	
8	1/2 WAVE DIPOLE ANTENNA	SHURE	UA8	
9	WRLS MIC W/ B87A CAPSULE	SHURE	ULXD2/B87A	
10	WIRELESS BODY PACK TX	SHURE	ULXD1	
11	LAVALIER MICROPHONE	SHURE	MX185	
13	RECHARGEABLE BATTERY	SHURE	SB900B	
14	BATTERY CHARGER W/ PWR	SHURE	SBC200-US	
16	AV NETWORK SWITCH	NETGEAR	M4250 GSM4230P-100NAS	
17	CONTROL PROCESSOR	QSC	CORE NANO	PROVIDE WITH 16X16 DANTE LICENSE, SCRIPTING LICENSE, UCI LICENSE, AND ANY OTHER SOFTWARE OR LICENSING REQUIRED FOR SYSTEM PROGRAMMING AND OPERATION.
18	AUDIO AMPLIFIER W/ DANTE	QSC	CX-Q 4K4	
19	AV OVER IP ENCODER	VISIONARY SOLUTIONS	E4200	
20	AV OVER IP DECODER	VISIONARY SOLUTIONS	D4100	
21	75" COMMERCIAL DISPLAY ("FP")	(FURNISHED BY OWNER)	(INSTALLLED BY CONTRACTOR)	
22	SPEAKERS	(EXISTING TO REMAIN)		
23	FM ASSISTIVE LISTENING KIT	WILLIAMS	FM 558 PRO D	
32	ANALOG OUTPUT 2 CHAN	AUDINATE	ADP-DAO-AU-0X2	
33	ANALOG INPUT 2 CHAN	AUDINATE	ADP-DAO-AU-0X2	
39	PWR DISTRIBUTOR & SEQUENCER	SURGEX	SX-AX20E	
40	RACK POWER DISTRIBUTOR	MIDDLE ATLANTIC	PD-2015R-NS	
A	CAT6 BULK CABLE	SEE CABLE DETAIL SCHEDULE		LENGTH AS REQUIRED FOR APPLICATION
AVN	AV NETWORK (LOCAL)	SEE CABLE DETAIL SCHEDULE		CONNECTION TO AV NETWORK (LOCAL)
B	CAT6 PATCH CORD	SEE CABLE DETAIL SCHEDULE		LENGTH AS REQUIRED FOR APPLICATION
E	LINE AUDIO CABLE	BELDEN	9451P	CONNECTORS AS REQUIRED FOR APPLICATION. NEUTRIK NP[2/3]X-BAG FOR TS/TRS
ER	EXISTING CABLE TO BE REUSED	VARIOUS		REPLACE CONNECTORS AS REQUIRED
F	CONTROL CABLE	BELDEN	9451P	CONNECTORS AS REQUIRED FOR APPLICATION.
G	MICROPHONE CABLE	BELDEN	8451	CONNECTORS AS REQUIRED FOR APPLICATION. NEUTRIK NC3[M/F]XX-BAG FOR XLR
J	RF ANTENNA CABLE	BELDEN	89913	INCREASE CONDUCTOR GAUGE AS NEEDED TO MAINTAIN SUFFICIENT SIGNAL
K	HDMI CABLE	KRAMER	C-HM/HM/PICO/[XX]-[###]	LENGTH AS REQUIRED FOR APPLICATION WITH "###". MATCH COLOR WITH "XX". USE C-HM/HM/PRO-[###] FOR LENGTHS OVER 9'.
LAN	PRODUCTION LAN			CONNECTION TO BUILDING LAN

ISSUED FOR DATE

PROJECT TITLE
NORTHERN & CENTRAL COMMONS AND
GYM AV SYSTEMS UPGRADES

OWNER
PORTAGE PUBLIC SCHOOLS

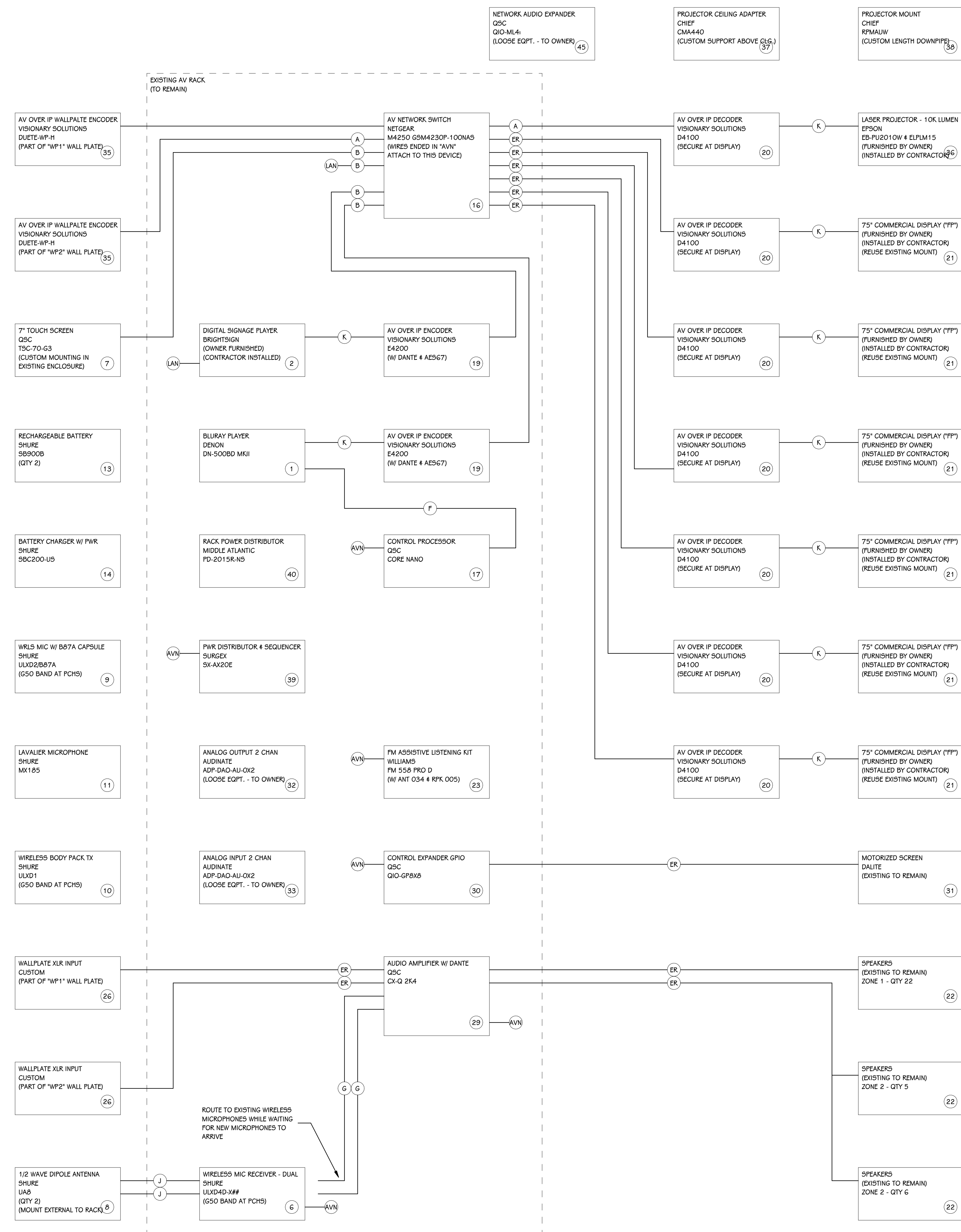
8107 MUSTANG DR.
Portage, MI 49002

SHEET TITLE
TECHNOLOGY DETAILS - AV2 - CHS
COMMONS AV

DATE
APRIL 20TH, 2023

SHEET NUMBER
T 402
23-149

KEY	DESCRIPTION	MANUFACTURER	PART #	COMMENTS
1	BLURAY PLAYER	DENON	DN-500BD MKII	
2	DIGITAL SIGNAGE PLAYER	BRIGHTSIGN		
6	WIRELESS MIC RECEIVER - DUAL	SHURE	ULXD4D-X##	
7	7" TOUCH SCREEN	QSC	TSC-70-G3	
8	1/2 WAVE DIPOLE ANTENNA	SHURE	UA8	
9	WRLS MIC W/ B87A CAPSULE	SHURE	ULXD2/B87A	
10	WIRELESS BODY PACK TX	SHURE	ULXD1	
11	LAVALIERS MICROPHONE	SHURE	MX185	
13	RECHARGEABLE BATTERY	SHURE	SB900B	
14	BATTERY CHARGER W/ PWR	SHURE	SBC200-US	
16	AV NETWORK SWITCH	NETGEAR	M4250 GSM4230P-100NAS	
17	CONTROL PROCESSOR	QSC	CORE NANO	
19	AV OVER IP ENCODER	VISIONARY SOLUTIONS	E4200	PROVIDE WITH 16X16 DANTE LICENSE, SCRIPTING LICENSE, UCI LICENSE, AND ANY OTHER SOFTWARE OR LICENSING REQUIRED FOR SYSTEM PROGRAMMING AND OPERATION.
20	AV OVER IP DECODER	VISIONARY SOLUTIONS	D4100	
21	75" COMMERCIAL DISPLAY ("FP")	(FURNISHED BY OWNER)	(INSTALLED BY CONTRACTOR)	
22	SPEAKERS	(EXISTING TO REMAIN)		
23	FM ASSISTIVE LISTENING KIT	WILLIAMS	FM 558 PRO D	
26	WALLPLATE XLR INPUT	CUSTOM		
29	AUDIO AMPLIFIER W/ DANTE	QSC	CX-Q 2K4	
30	CONTROL EXPANDER GPIO	QSC	QIO-GP8X8	(EXISTING TO REMAIN)
31	MOTORIZED SCREEN	DALITE	ADP-DAO-AU-0X2	
32	ANALOG OUTPUT 2 CHAN	AUDINATE	ADP-DAO-AU-0X2	
33	ANALOG INPUT 2 CHAN	AUDINATE	ADP-DAO-AU-0X2	
35	AV OVER IP WALLPALTE ENCODER	VISIONARY SOLUTIONS	DUETE-WP-H	
36	LASER PROJECTOR - 10K LUMEN	EPSON	EB-PJ2010W & ELPLM15	
37	PROJECTOR CEILING ADAPTER	CHIEF	CMA440	
38	PROJECTOR MOUNT	CHIEF	RPMAUW	
39	PWR DISTRIBUTOR & SEQUENCER	SURGEX	SX-AX20E	
40	RACK POWER DISTRIBUTOR	MIDDLE ATLANTIC	PD-2015R-NS	
45	NETWORK AUDIO EXPANDER	QSC	QIO-ML4i	
A	CAT6 BULK CABLE	SEE CABLE DETAIL SCHEDULE		LENGTH AS REQUIRED FOR APPLICATION
AVN	AV NETWORK (LOCAL)			CONNECTION TO AV NETWORK (LOCAL)
B	CAT6 PATCH CORD	SEE CABLE DETAIL SCHEDULE		LENGTH AS REQUIRED FOR APPLICATION
ER	EXISTING CABLE TO BE REUSED	VARIOUS	VARIOUS	REPLACE CONNECTORS AS REQUIRED
G	MICROPHONE CABLE	BELDEN	8451	CONNECTORS AS REQUIRED FOR APPLICATION. NEUTRIK NC3[M/F]XX-BAG FOR XLR
J	RF ANTENNA CABLE	BELDEN	89913	INCREASE CONDUCTOR GAUGE AS NEEDED TO MAINTAIN SUFFICIENT SIGNAL
K	HDMI CABLE	KRAMER	C-HM/HM/PICO/[XX]-[##]	LENGTH AS REQUIRED FOR APPLICATION WITH "##". MATCH COLOR WITH "XX". USE C-HM/HM/PRO-[##] FOR LENGTHS OVER 9'.
LAN	PRODUCTION LAN			CONNECTION TO BUILDING LAN



AV2 RISER DIAGRAM - PCHS COMMONS AV
SCALE: NONE

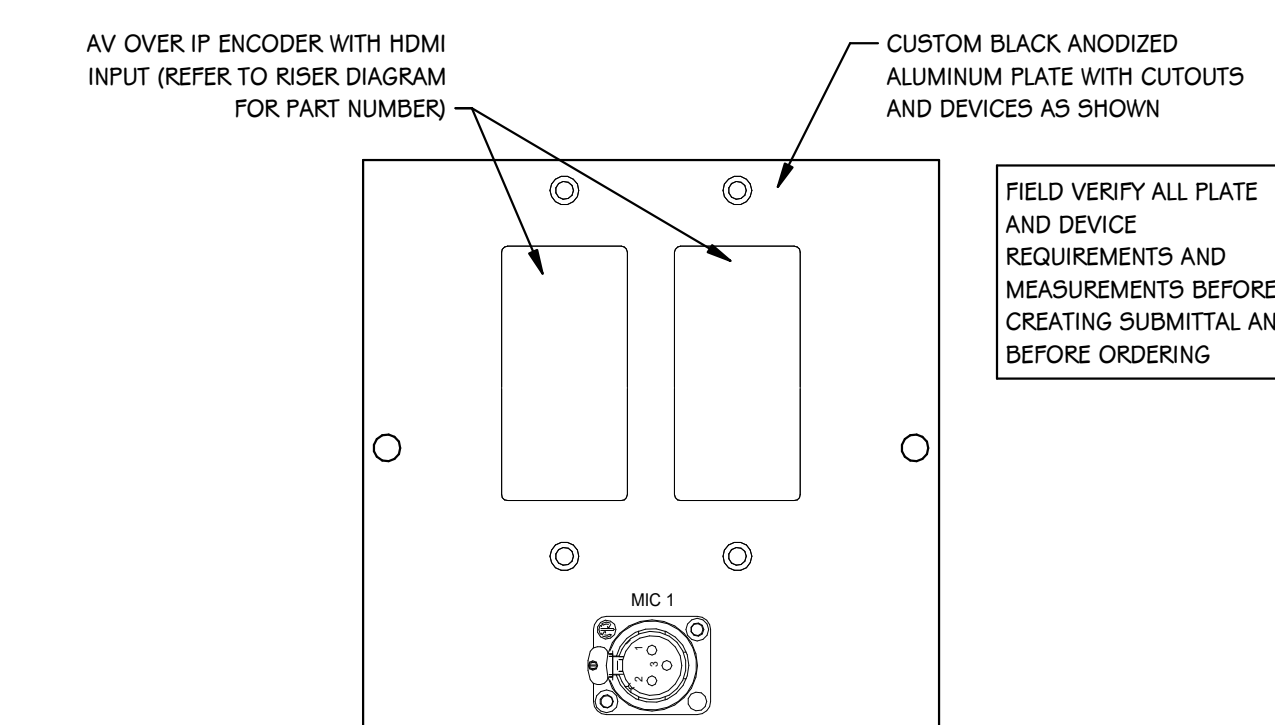
DEMO ALL EQUIPMENT NO LONGER REQUIRED FROM RACK AND RETURN TO OWNER OR, AT OWNER'S DISCRETION, RECYCLE. RE-PRESS AND LABEL ALL NEW AND EXISTING CABLING.



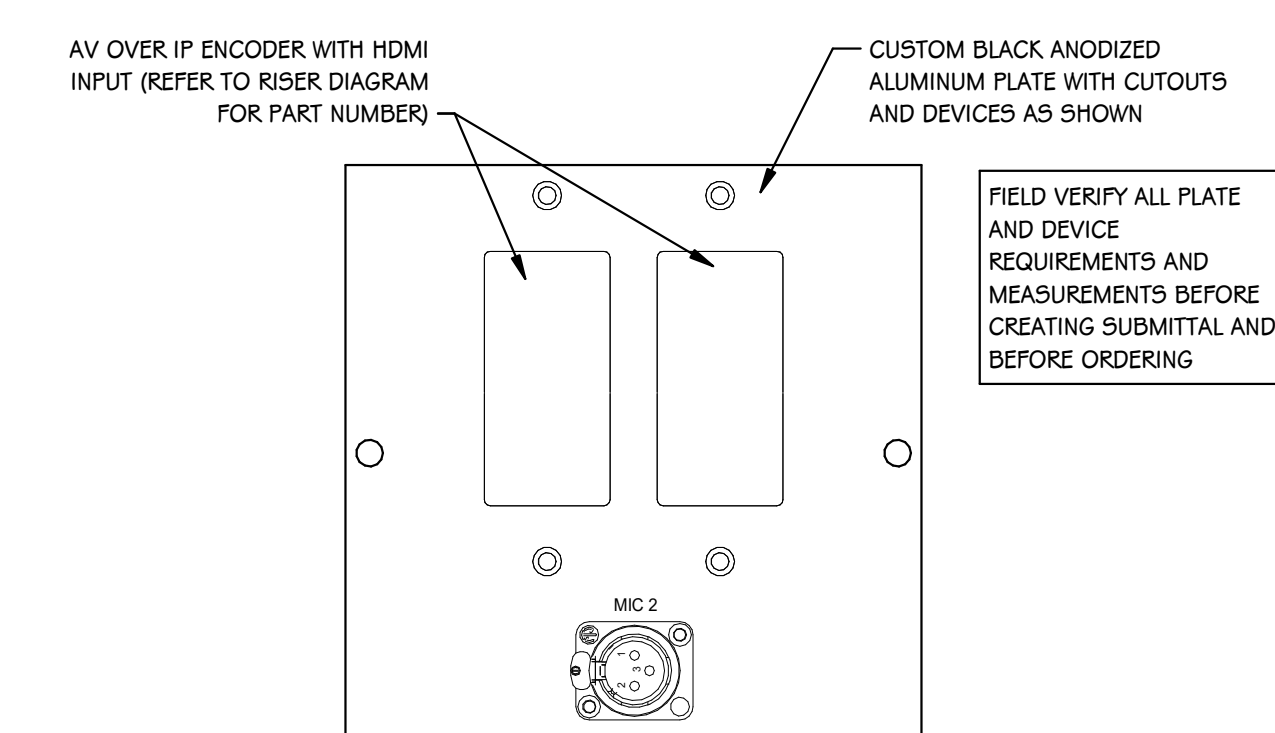
CHS COMMONS RACK ELEVATION DETAIL
1/12" = 1'-0"



CHS COMMONS "TP" TOUCH PANEL DETAIL
SCALE: NONE



"WP1" WALL PLATE DETAIL
6" = 1'-0"



"WP2" WALL PLATE DETAIL
6" = 1'-0"

ISSUED FOR DATE

PROJECT TITLE
NORTHERN & CENTRAL COMMONS AND
GYM AV SYSTEMS UPGRADES

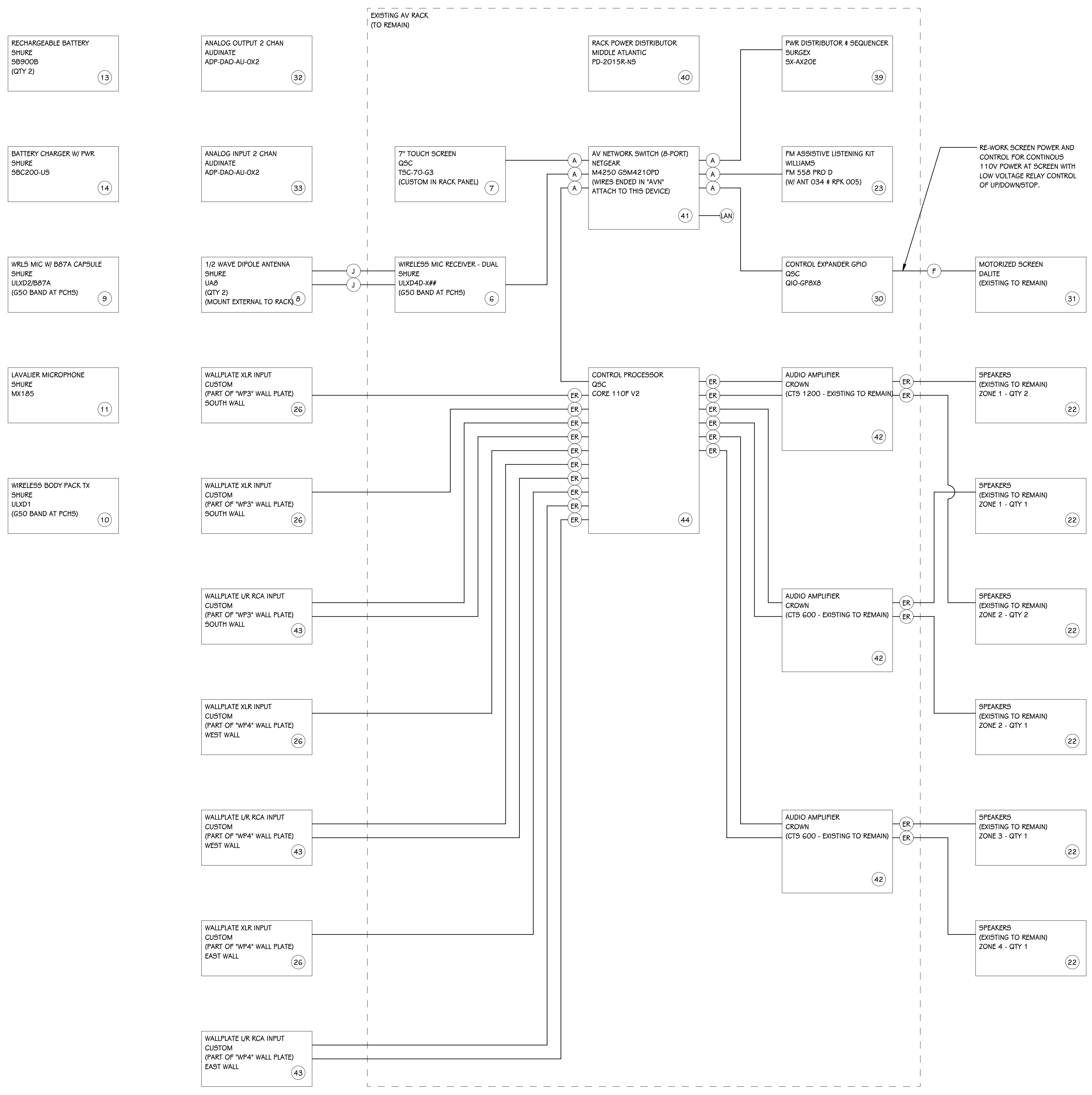
OWNER
PORTAGE PUBLIC SCHOOLS

8107 MUSTANG DR.
Portage, MI 49002

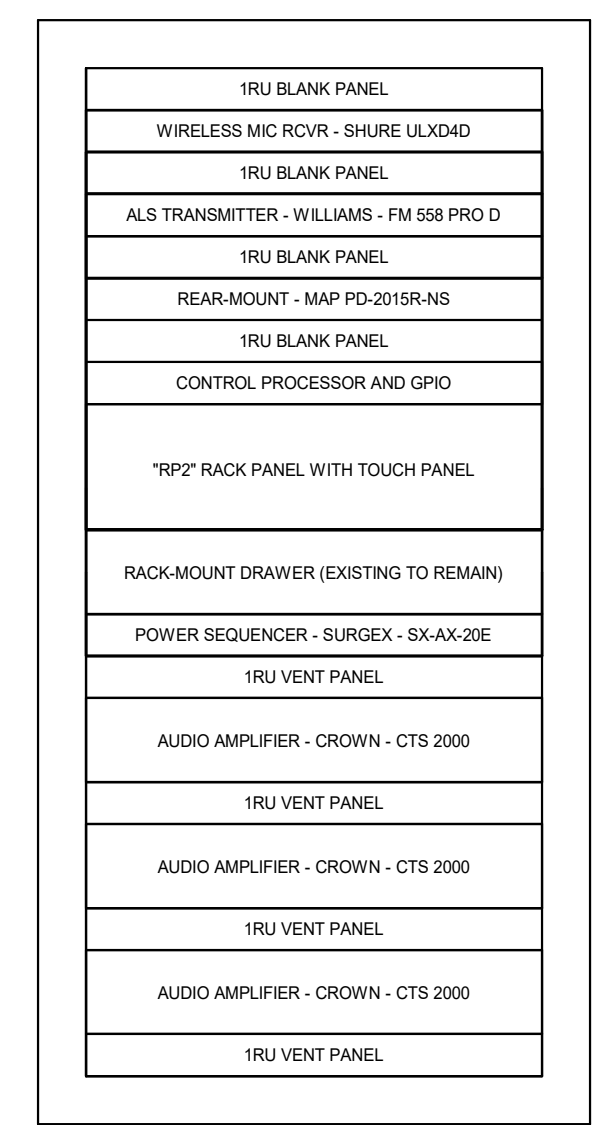
SHEET TITLE
TECHNOLOGY DETAILS - AV3 - CHS GYM
AV

DATE
APRIL 20TH, 2023

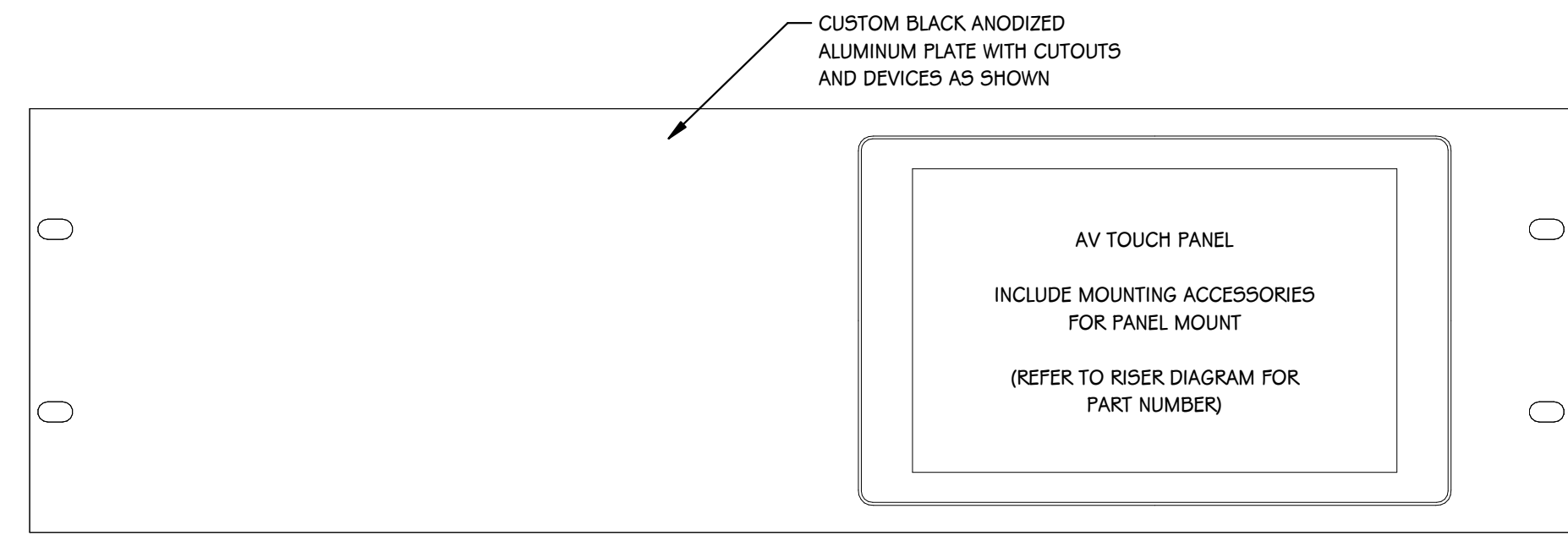
SHEET NUMBER
T 403
23-149



DEMO ALL EQUIPMENT NO LONGER REQUIRED FROM RACK AND RETURN TO OWNER OR, AT OWNER'S DIRECTION, RECYCLE. RE-DRESS AND LABEL ALL NEW AND EXISTING CABLING.



CHS GYM RACK ELEVATION DETAIL
1 1/2" = 1'-0"



\"RP2\" RACK PANEL DETAIL
6\" = 1'-0"

AV3 EQUIPMENT SCHEDULE				
KEY #	DESCRIPTION	MANUFACTURER	PART #	COMMENTS
6	WIRELESS MIC RECEIVER - DUAL	SHURE	ULXD4D-X##	
7	7\"/>			

AV3 RISER DIAGRAM - PCHS GYM AV
SCALE: NONE