



**CITY OF CALLAWAY  
JAN DR. & GENEVIEVE AVE. DRAINAGE IMPROVEMENTS  
BID NO: PW2022-08**

**ADDENDUM #1**

Date Issued: May 24, 2022

This addendum is being released to provide updated plans for Jan Drive and for Engineer's Estimates:

Jan Drive Engineer's Estimate: \$717,247.31 Updated Plans Attached.  
Genevieve Ave. Engineer's Estimate: \$347,079.28

NOTE: These estimates DO NOT include contingencies, bonding costs, mobilization or general conditions allowances.

Janice L. Peters  
Janice L. Peters, City Clerk

\*\*\*\*\*

This Addendum must be acknowledged and included with the bid packet submission.

\_\_\_\_\_  
Signature

\_\_\_\_\_  
Company Name

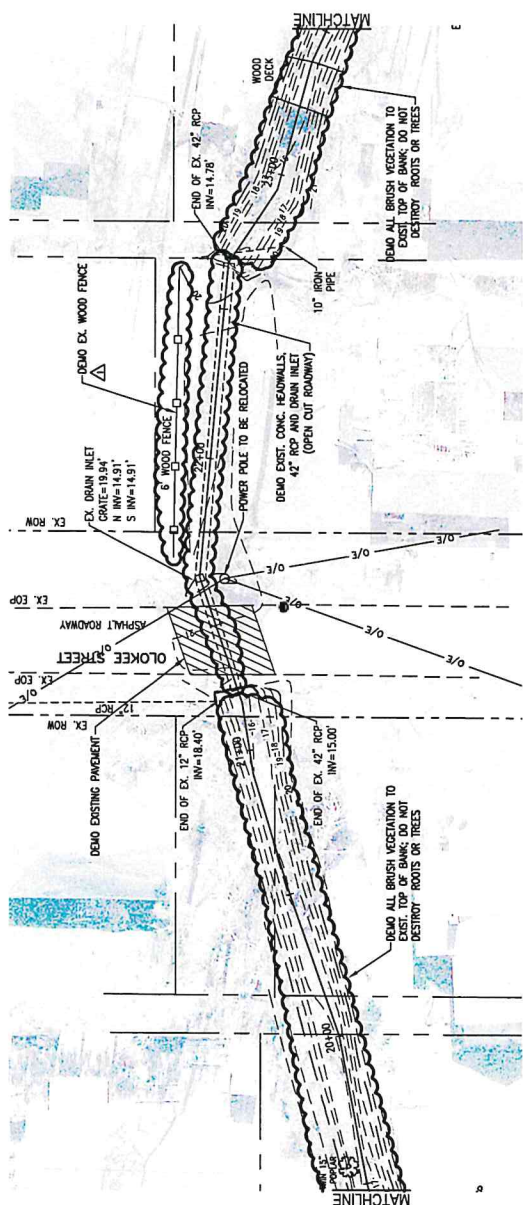
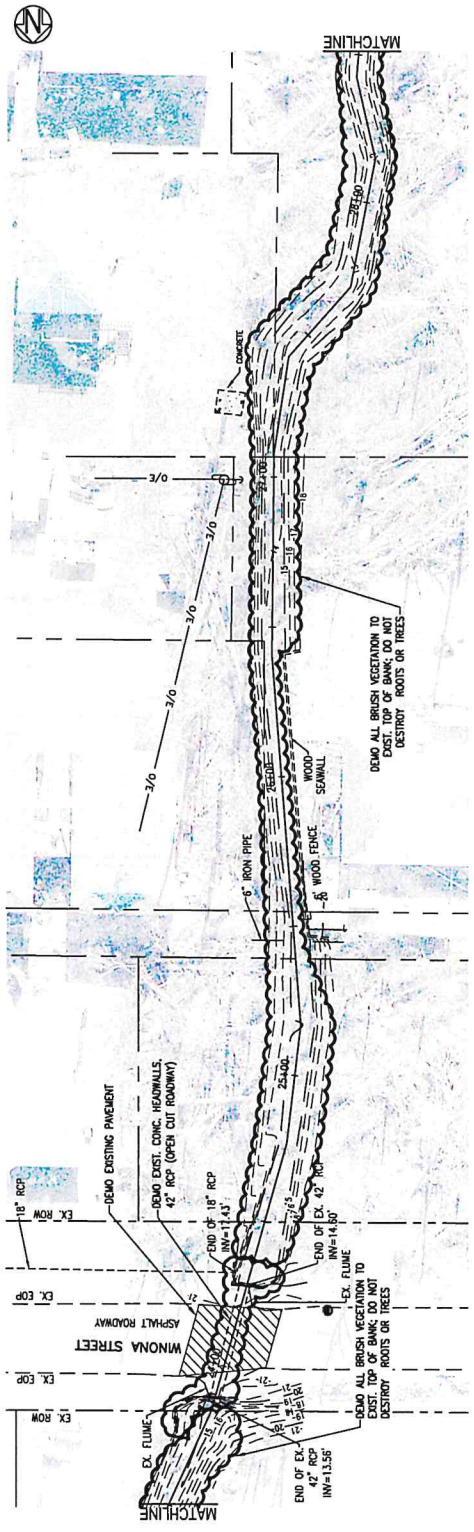
\_\_\_\_\_  
Date

EXISTING CONDITIONS & DEMOLITION PLAN

PROJECT NO.	276551.01		
REVISION/DATE	5/24/2022		
NO.	DATE	APPR.	REVISION/ACTION TAKEN
1	5/24/2022	JCP	Demolish existing 42" RCP
2			Open ditch / remove (see notes)
3			
4			
5			
6			
7			
8			
9			
10			
11			
12			
13			
14			
15			
16			
17			
18			
19			
20			
21			
22			
23			
24			
25			
26			
27			
28			
29			
30			
31			
32			
33			
34			
35			
36			
37			
38			
39			
40			
41			
42			
43			
44			
45			
46			
47			
48			
49			
50			
51			
52			
53			
54			
55			
56			
57			
58			
59			
60			
61			
62			
63			
64			
65			
66			
67			
68			
69			
70			
71			
72			
73			
74			
75			
76			
77			
78			
79			
80			
81			
82			
83			
84			
85			
86			
87			
88			
89			
90			
91			
92			
93			
94			
95			
96			
97			
98			
99			
100			

CHERRY STREET DRAINAGE IMPROVEMENTS (JAN DR TO ROGERS POND)

FRANCIS C. PETERMANN, P.E.  
 P.E. Reg. Engineer #77540  
 BASKERVILLE-DONOVAN, INC.  
 ENGINEERING THE SOUTH SINCE 1927  
 449 W. MAIN ST., PENSACOLA, FL 32502 (904)346-6661  
 ENGINEERING BUSINESS, ES.000040  
 PENSAFLA - PENSACOLA CITY DESIGN - TELEPHONE - 346-6661



Digitally signed by  
 Jeffrey C Petermann  
 Date: 2022.05.24  
 15:32:49-05'00'

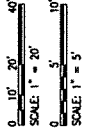
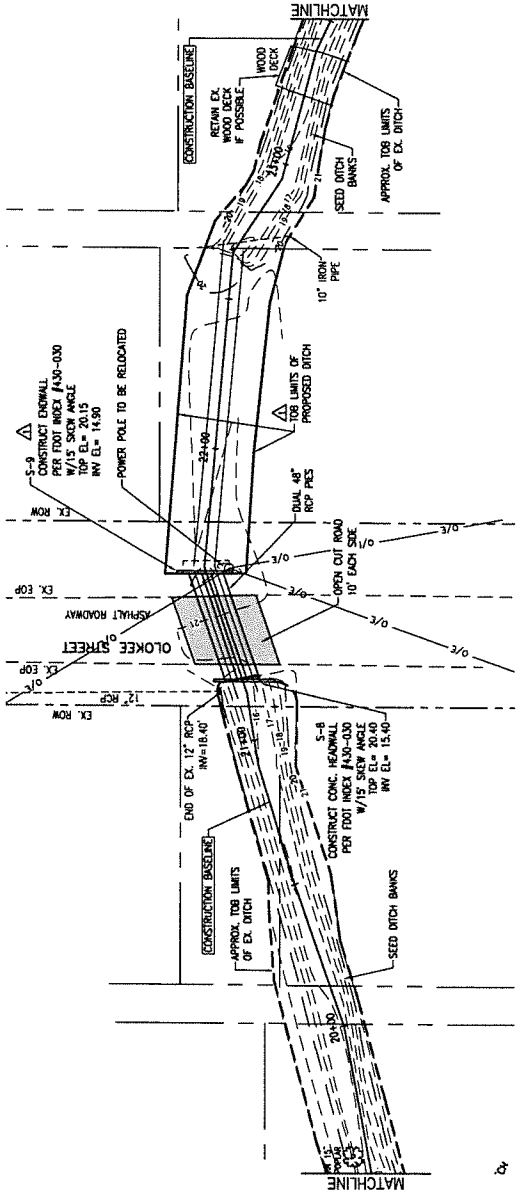
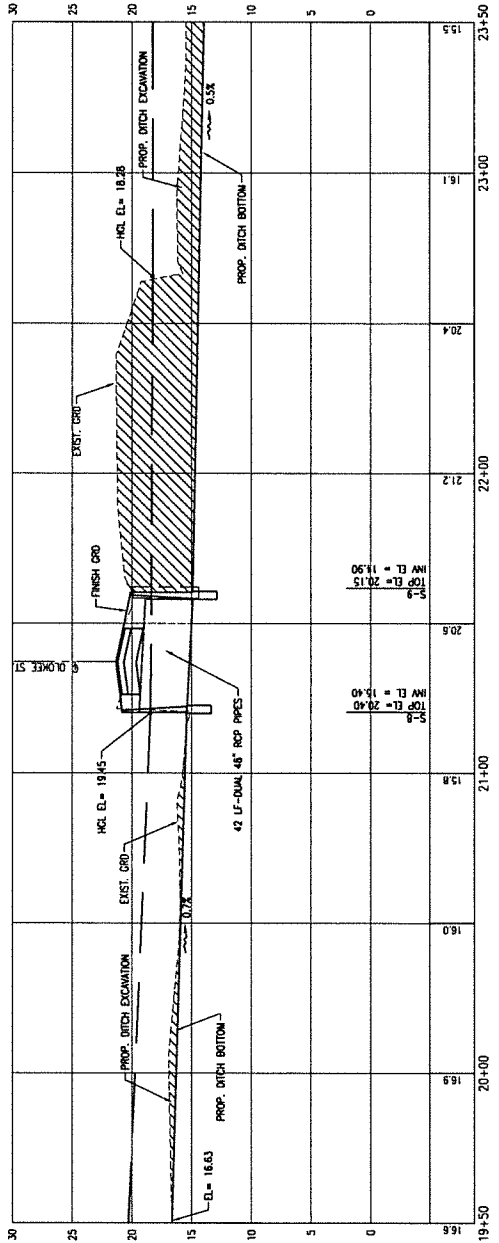


101-C

PLAN AND PROFILE

PROJECT NO.	278551.01
DATE	MAY 2022
DATE RELEASED FOR CONSTRUCTION BY JCP	DATE 5/24/2022
PROJECT NAME	CHERRY STREET DRAINAGE IMPROVEMENTS (JAN DR TO ROGERS POND)
DRAWN BY	JKP
CHECKED BY	JKP
DESIGNED BY	JKP
DATE	5/24/2022
REVISION/ACTION TAKEN	

CHERRY STREET DRAINAGE IMPROVEMENTS (JAN DR TO ROGERS POND)  
 BASKERVILLE-DONOVAN, INC.  
 ENGINEERING THE SOUTH SINCE 1927  
 4517 MAIN ST., PENSACOLA, FL 32503 (850)386-8181  
 ENGINEERING BUSINESS, INCORPORATED  
 PROFESSIONAL ENGINEERS, ARCHITECTS, PLANNERS  
 11 Ringwood Avenue, Ft. Myers, FL 33901 (813)939-1100

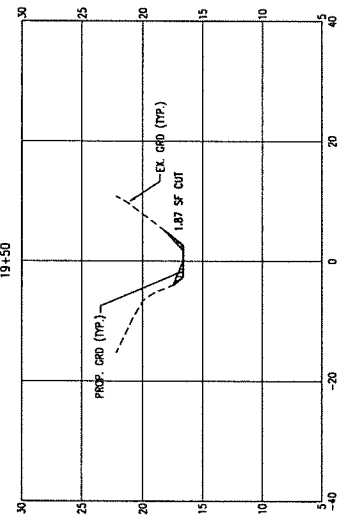
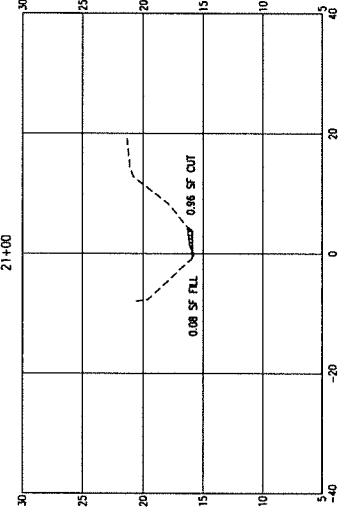
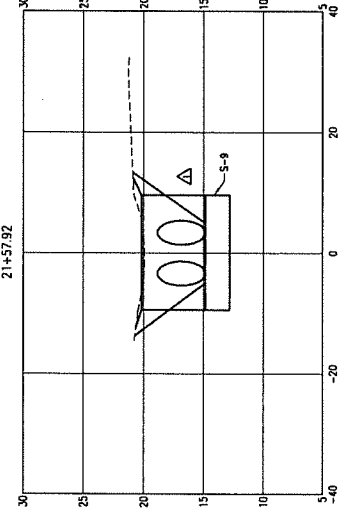
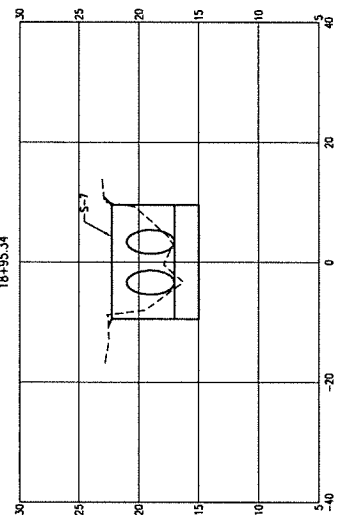
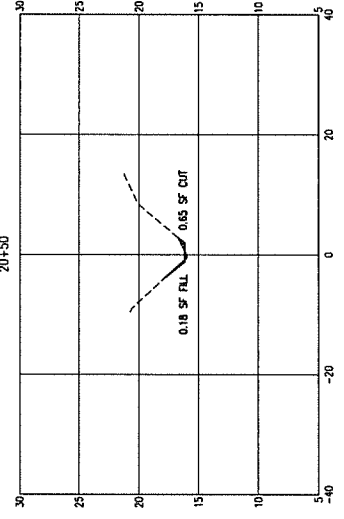
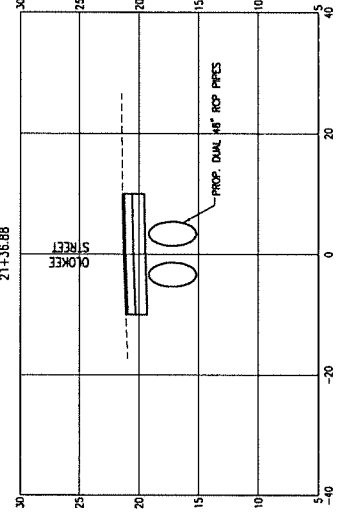
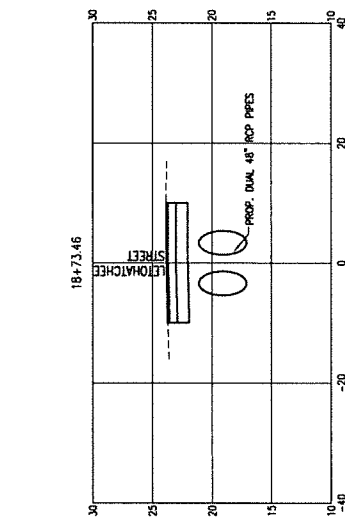
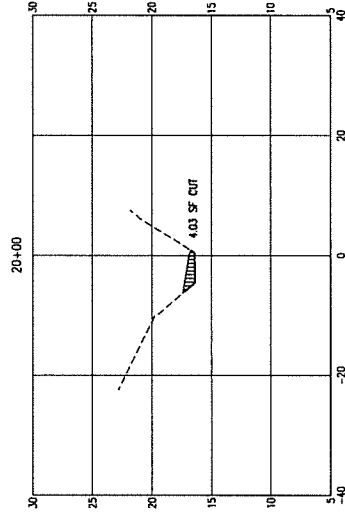
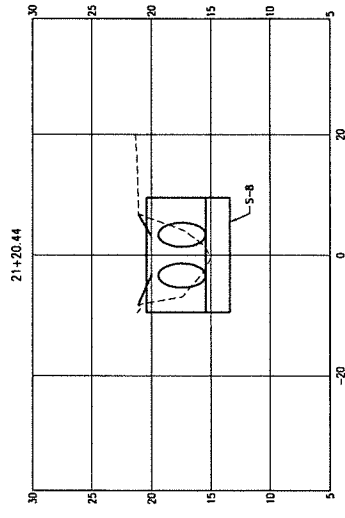


CROSS-SECTIONS

PROJECT NO.	276551.01
DESIGNED BY	RAM
DRAWN BY	MOZ
CHECKED BY	JCP
DATE	MAY 2022
REVISION/ACTION	NO. DATE
1	5/24/2022
2	5/24/2022
3	5/24/2022
4	5/24/2022
5	5/24/2022
6	5/24/2022
7	5/24/2022
8	5/24/2022
9	5/24/2022
10	5/24/2022
11	5/24/2022
12	5/24/2022
13	5/24/2022
14	5/24/2022
15	5/24/2022
16	5/24/2022
17	5/24/2022
18	5/24/2022
19	5/24/2022
20	5/24/2022
21	5/24/2022
22	5/24/2022
23	5/24/2022
24	5/24/2022
25	5/24/2022
26	5/24/2022
27	5/24/2022
28	5/24/2022
29	5/24/2022
30	5/24/2022
31	5/24/2022
32	5/24/2022
33	5/24/2022
34	5/24/2022
35	5/24/2022
36	5/24/2022
37	5/24/2022
38	5/24/2022
39	5/24/2022
40	5/24/2022
41	5/24/2022
42	5/24/2022
43	5/24/2022
44	5/24/2022
45	5/24/2022
46	5/24/2022
47	5/24/2022
48	5/24/2022
49	5/24/2022
50	5/24/2022
51	5/24/2022
52	5/24/2022
53	5/24/2022
54	5/24/2022
55	5/24/2022
56	5/24/2022
57	5/24/2022
58	5/24/2022
59	5/24/2022
60	5/24/2022
61	5/24/2022
62	5/24/2022
63	5/24/2022
64	5/24/2022
65	5/24/2022
66	5/24/2022
67	5/24/2022
68	5/24/2022
69	5/24/2022
70	5/24/2022
71	5/24/2022
72	5/24/2022
73	5/24/2022
74	5/24/2022
75	5/24/2022
76	5/24/2022
77	5/24/2022
78	5/24/2022
79	5/24/2022
80	5/24/2022
81	5/24/2022
82	5/24/2022
83	5/24/2022
84	5/24/2022
85	5/24/2022
86	5/24/2022
87	5/24/2022
88	5/24/2022
89	5/24/2022
90	5/24/2022
91	5/24/2022
92	5/24/2022
93	5/24/2022
94	5/24/2022
95	5/24/2022
96	5/24/2022
97	5/24/2022
98	5/24/2022
99	5/24/2022
100	5/24/2022

CHERRY STREET  
DRAINAGE IMPROVEMENTS  
(JAN DR TO ROGERS  
POND)

ARTHUR C. WATSON, P.E.  
Professional Engineer License #17340  
4475 MAIN ST. HENNEBEAU, FL 32022 (850) 896-8888  
ENGINEERING BUSINESS: EB-0000140  
BASKERVILLE-DONOVAN, INC.  
ENGINEERING THE SOUTH SINCE 1927



SCALE 1" = 10'  
SCALE 1" = 5'

CROSS-SECTIONS

PROJECT NO.	276551.01
DATE	APR 2022
APPROVED BY	[Signature]
DATE	5/24/2022
DESIGNED BY	JCP
DRAWN BY	RCC
CHECKED BY	JCP
PROJECTED FOR CONSTRUCTION BY	JCP
DATE	5/24/2022
REVISION/ACTION TAKEN	

CHERRY STREET  
DRAINAGE IMPROVEMENTS  
(JAN DR TO ROGERS POND)

ATTY C. RICHMOND, P.E.  
FL Reg. Engineer #17150  
BASKERVILLE-DONOVAN, INC.  
ENGINEERING THE SOUTH SINCE 1927  
4845 W. MAIN ST., PENSACOLA, FL 32502 (904)343-9961  
P.O. BOX 10000, PENSACOLA, FL 32502 (904)343-9961

