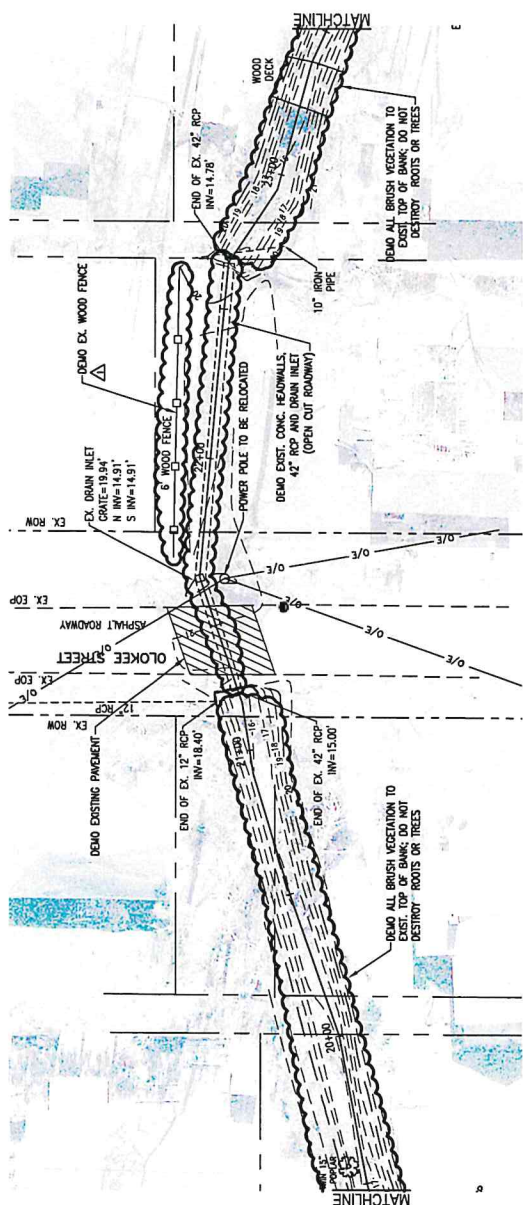
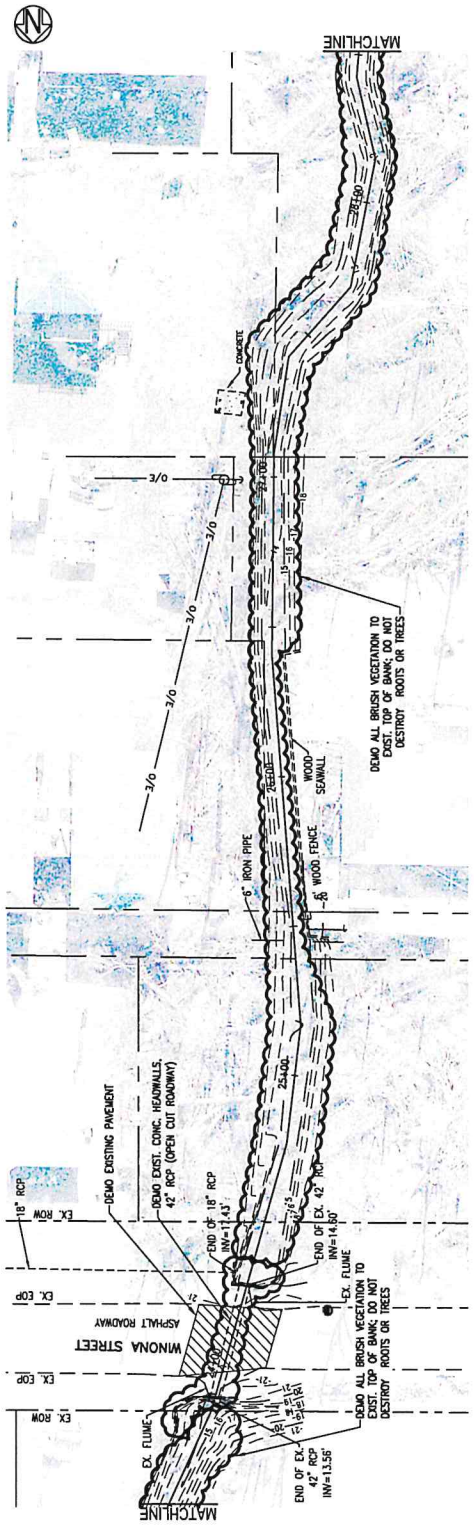


EXISTING CONDITIONS & DEMOLITION PLAN

PROJECT NO.	276551.01		
REVISION/DATE	5/24/2022		
NO.	DATE	APPR.	REVISION/ACTION TAKEN
1	5/24/2022	JCP	Demolition of 42" RCP
2			Open ditch / removed (see notes)
3			
4			
5			
6			
7			
8			
9			
10			
11			
12			
13			
14			
15			
16			
17			
18			
19			
20			
21			
22			
23			
24			
25			
26			
27			
28			
29			
30			
31			
32			
33			
34			
35			
36			
37			
38			
39			
40			
41			
42			
43			
44			
45			
46			
47			
48			
49			
50			
51			
52			
53			
54			
55			
56			
57			
58			
59			
60			
61			
62			
63			
64			
65			
66			
67			
68			
69			
70			
71			
72			
73			
74			
75			
76			
77			
78			
79			
80			
81			
82			
83			
84			
85			
86			
87			
88			
89			
90			
91			
92			
93			
94			
95			
96			
97			
98			
99			
100			

CHERRY STREET DRAINAGE IMPROVEMENTS (JAN DR TO ROGERS POND)

FRANCIS C. PETERMANN, P.E.
 P.E. Reg. Engineer #77540
 BASKERVILLE-DONOVAN, INC.
 ENGINEERING THE SOUTH SINCE 1927
 449 W. MAIN ST., PENSACOLA, FL 32502 (904)346-6661
 ENGINEERING BUSINESS, ES.000040
 PENSAFLA - PENSACOLA CITY DESIGN - TOWNPLANNING - LANDSCAPE



Digitally signed by
 Jeffrey C Petermann
 Date: 2022.05.24
 15:32:49-05'00'



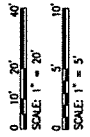
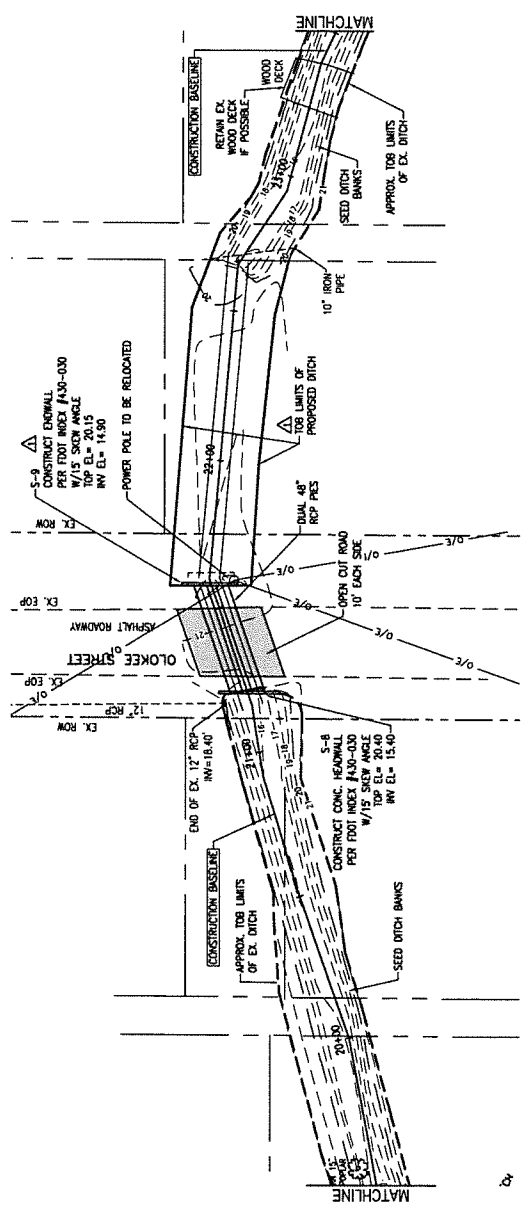
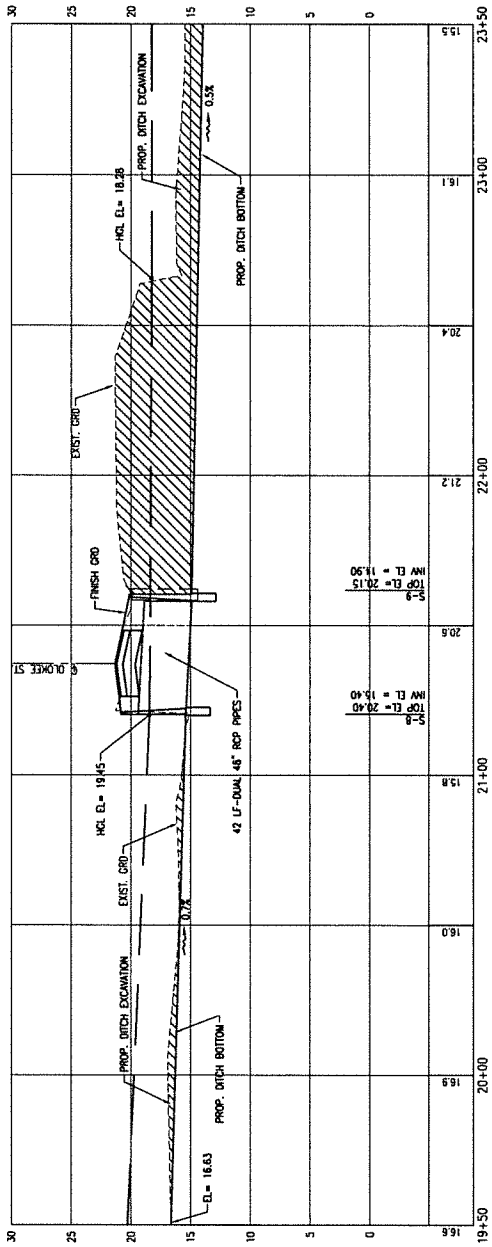
C-101

PLAN AND PROFILE

PROJECT NO.	278551.01	
DATE	MAY 2022	
DATE FOR CONSTRUCTION BY	DATE 5/24/2022	
DESIGNED BY	CA	
DRAWN BY	MS	
CHECKED BY	MS	
SCALE	AS SHOWN	
REVISION/ACTION	TAKEN	
NO.	DATE	APPROVED
1	5/24/2022	CA
2		
3		
4		
5		
6		
7		
8		
9		
10		

**CHERRY STREET
DRAINAGE IMPROVEMENTS
(JAN DR TO ROGERS
POND)**

AT&T C. RICHMOND, VA
11 King's Highway #7750
The Agency is the primary and principal contractor. All work to be performed shall be in
accordance with the drawings and specifications. The Agency shall be responsible for the
design and construction of the project and for the maintenance of the project.
BASKERVILLE-DONOVAN, INC.
ENGINEERING THE SOUTH SINCE 1927
4617 MAIN ST. PENSACOLA, FL 32503 (850)386-8861
ENGINEERING BUSINESS: ERO00003
Professional - Florida City/County - Professional - 100004

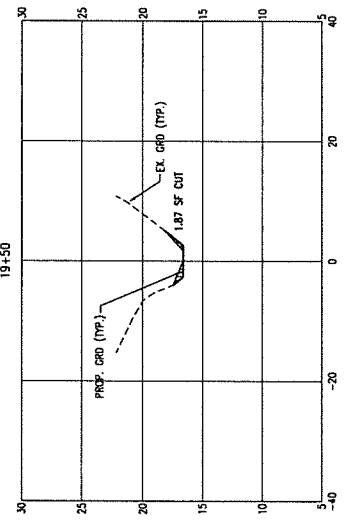
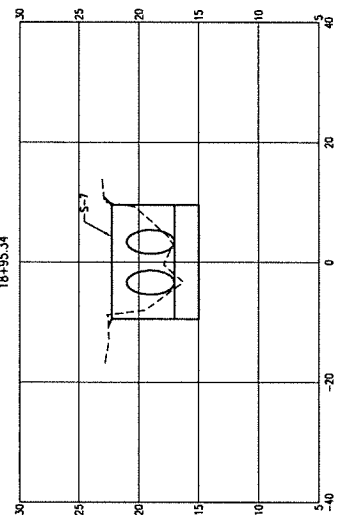
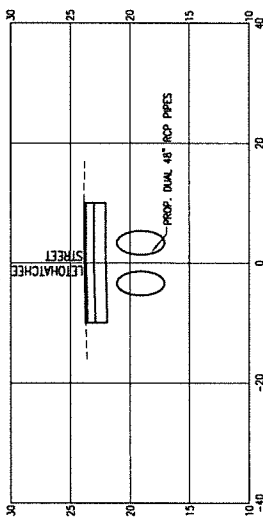
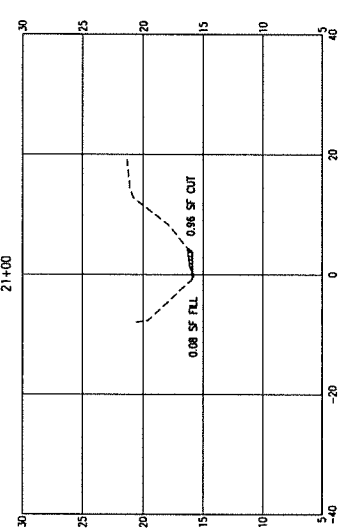
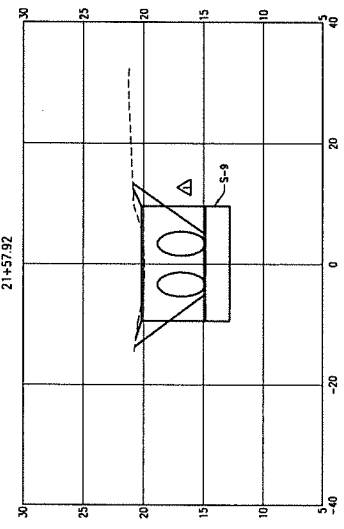
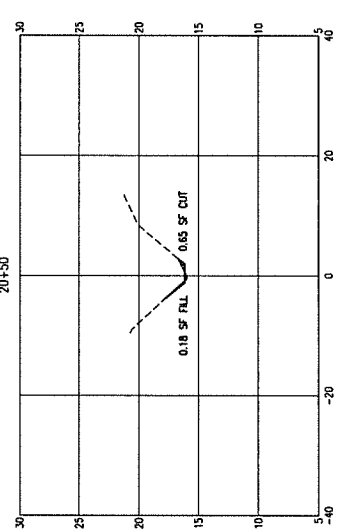
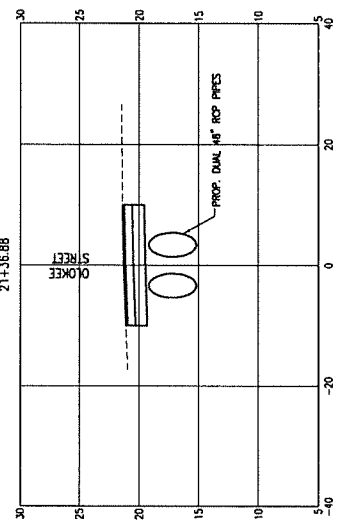
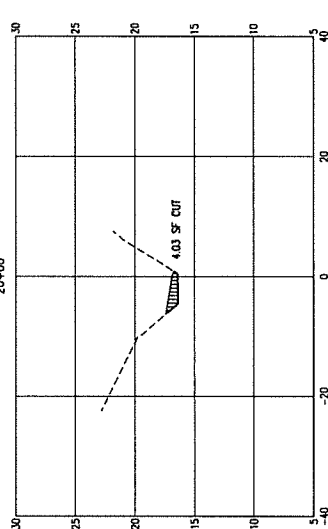
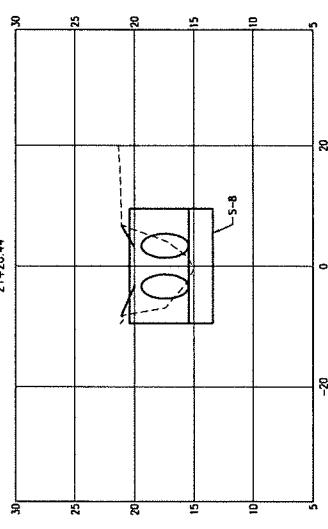


CROSS-SECTIONS

PROJECT NO.	276551.01
DESIGNED BY	BA
DRAWN BY	BA
CHECKED BY	BA
DATE	5/24/2022
REVISION/ACTION	DATE
1	5/24/2022
2	5/24/2022
3	5/24/2022
4	5/24/2022
5	5/24/2022
6	5/24/2022
7	5/24/2022
8	5/24/2022
9	5/24/2022
10	5/24/2022
11	5/24/2022
12	5/24/2022
13	5/24/2022
14	5/24/2022
15	5/24/2022
16	5/24/2022
17	5/24/2022
18	5/24/2022
19	5/24/2022
20	5/24/2022
21	5/24/2022
22	5/24/2022
23	5/24/2022
24	5/24/2022
25	5/24/2022
26	5/24/2022
27	5/24/2022
28	5/24/2022
29	5/24/2022
30	5/24/2022
31	5/24/2022
32	5/24/2022
33	5/24/2022
34	5/24/2022
35	5/24/2022
36	5/24/2022
37	5/24/2022
38	5/24/2022
39	5/24/2022
40	5/24/2022
41	5/24/2022
42	5/24/2022
43	5/24/2022
44	5/24/2022
45	5/24/2022
46	5/24/2022
47	5/24/2022
48	5/24/2022
49	5/24/2022
50	5/24/2022

CHERRY STREET
DRAINAGE IMPROVEMENTS
(JAN DR TO ROGERS POND)

ARTHUR C. WATSON, P.E.
REGISTERED PROFESSIONAL ENGINEER
FL REG. ENGINEER #77340
BASKERVILLE-DONOVAN, INC.
ENGINEERING THE SOUTH SINCE 1927
4475 MAIN ST. HENNELOCA, FL 32020 (904)366-8888
ENR@BASKERVILLE-ENGINEERING.COM



SCALE 1" = 10'
SCALE 1" = 5'

CROSS-SECTIONS

PROJECT NO.	276551.01
DATE	APR. 2022
APPROVED BY	[Signature]
DESIGNED BY	JCP
DRAWN BY	RCC
CHECKED BY	JCP
DATE	5/24/2022
REVISION/ACTION TAKEN	
RELEASED FOR CONSTRUCTION BY JCP	DATE 5/24/2022

CHERRY STREET
DRAINAGE IMPROVEMENTS
(JAN DR TO ROGERS
POND)

ATTY C. RICHMOND P.E.
T.L. King, Engineer #17150
Professional Engineer - License
BASKERVILLE-DONOVAN, INC.
ENGINEERING THE SOUTH SINCE 1927
4435 W. MAIN ST., RENO, NV 89502 (775) 784-9961
PERMITS - PLANNING - DESIGN - CONSTRUCTION - INSPECTION

