



SEE PAGE 3 FOR STEEL SUPPORT FOOTINGS

SPECIFICATONS

"MYRTLE BEACH CONVENTION CENTER" SECTION:

- Fabricated aluminum construction (2" sq. tube frame, typ.) with seamless, radiused .125 aluminum faces
- Routed "MYRTLE BEACH CONVENTION CENTER" and City of Myrtle Beach logo with 3/4" thick push-thru acrylic and translucent vinyl (and/or printed vinyl) color face decoration (typ.)
- Internal LED lamp illumination as required
- Service to be from ends (access to use concealed fasteners)

GLASS BLOCK REVEALS:

- Pittsburgh Corning Premiere Series glass block reveal; 8"x8" Decora® pattern (typ.) w/ Hedron® corner units
- Glass block to be laid/assembled in formed .125 aluminum 'trays' (top and bottom) and mounted between cabinet sections as shown

LED DISPLAY SECTION:

- Watchfire 10mm Full Color LED display (3'-5" x 12'-3" cabinet) with broadband communication ***NO SUBSTITUTIONS ALLOWED***

"MYRTLE BEACH SPORTS CENTER" SECTION:

- Fabricated aluminum construction (internal 2" sq. tube frame, typ.) with seamless, radiused .125 aluminum faces
- Routed "MYRTLE BEACH", logo, and "SPORTS CENTER" with 3/4" thick push-thru acrylic and translucent vinyl (and/or printed vinyl) color face decoration (typ.)
- Small "SPORTS CENTER" letters within logo are surface vinyl applied to metal face (non-illuminated)
- Internal LED lamp illumination as required
- Service to be from ends (access to use concealed fasteners)

TOP CAP DECOR & LED DISPLAY CABINET TRIM:

- Fabricated aluminum construction (internal sq. tube framing as required) with seamless, radiused .125 aluminum faces

BOTTOM ALUMINUM REVEAL:

- Fabricated 4" sq. aluminum tube (typ.)

MASONRY BASE:

- Split-face 8"x8" masonry veneer over standard 8"x16" CMU base, with cast concrete masonry cap (typ. shown)
- Masonry base to extend below grade as required to match slope of grade at install location

NOTE: Field verify exact location of sign and slope of grade, etc., to determine overall size of masonry base required

ELECTRICAL – Final Connection To Primary By Others:

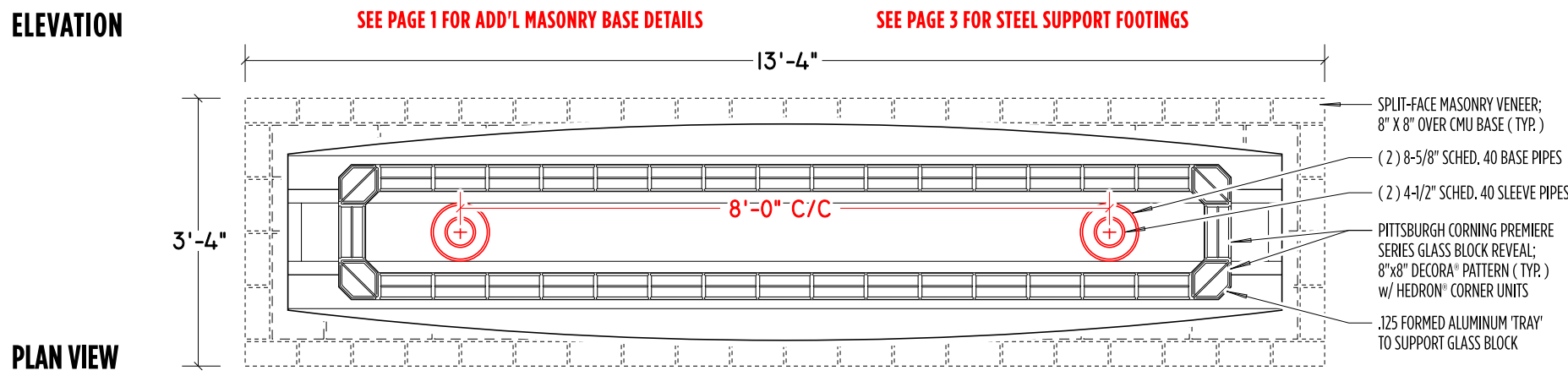
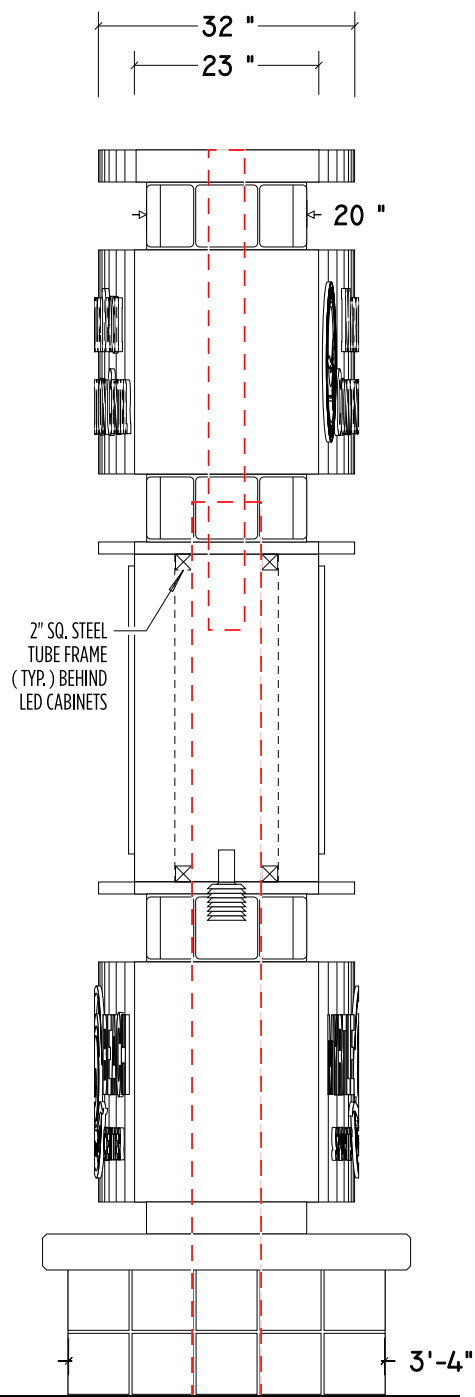
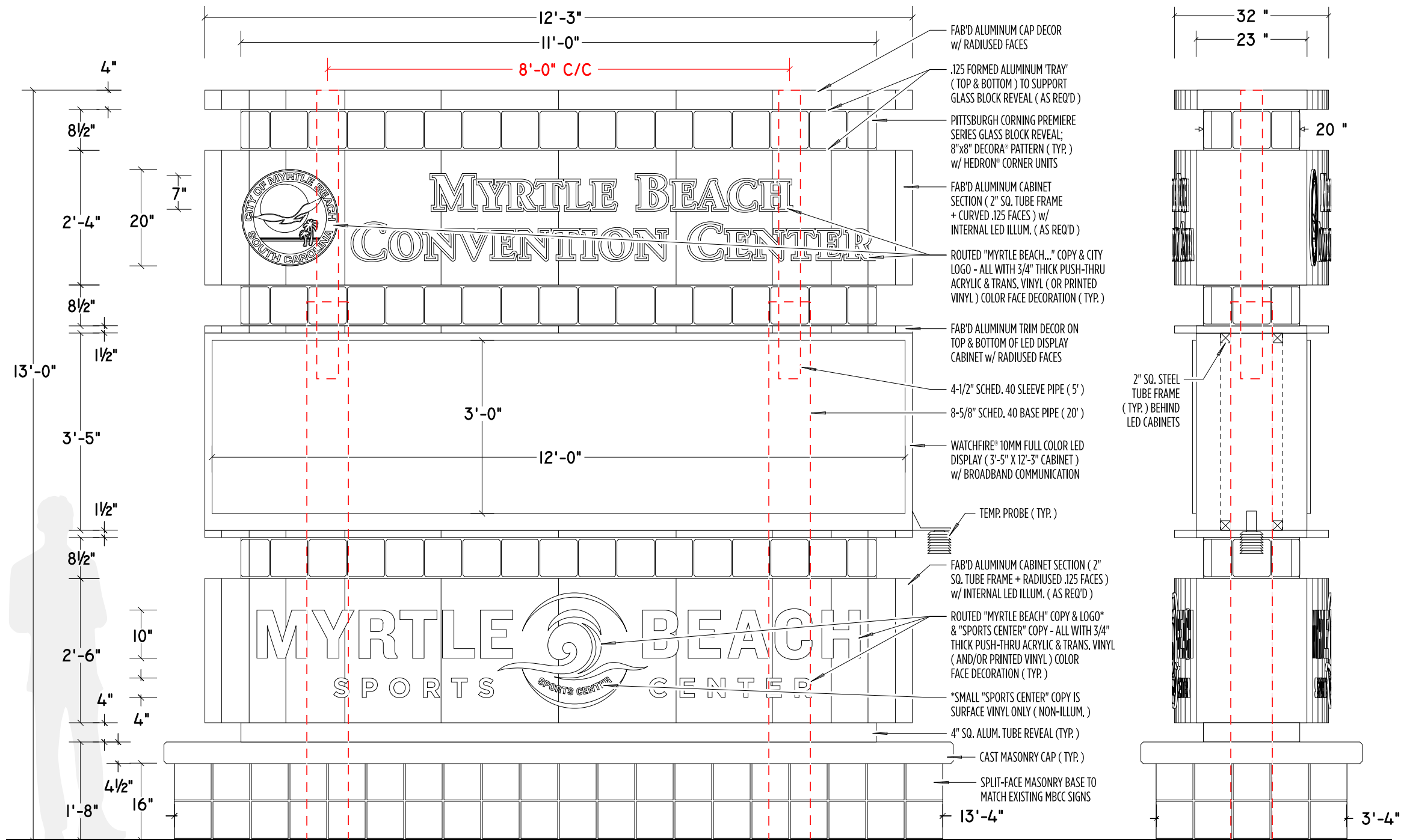
- CIRCUITS: (2) 120V / 20A
- LAMPS: (24) 24" GE Linefit LED (12 per section @ 10" c/c)
- POWER SUPPLIES: (4) GE 96W

INSTALLATION:

- Direct embed installation with twin steel columns (+ sleeves at top) and concrete footings for steel columns and slab for masonry base as shown

COLORS:

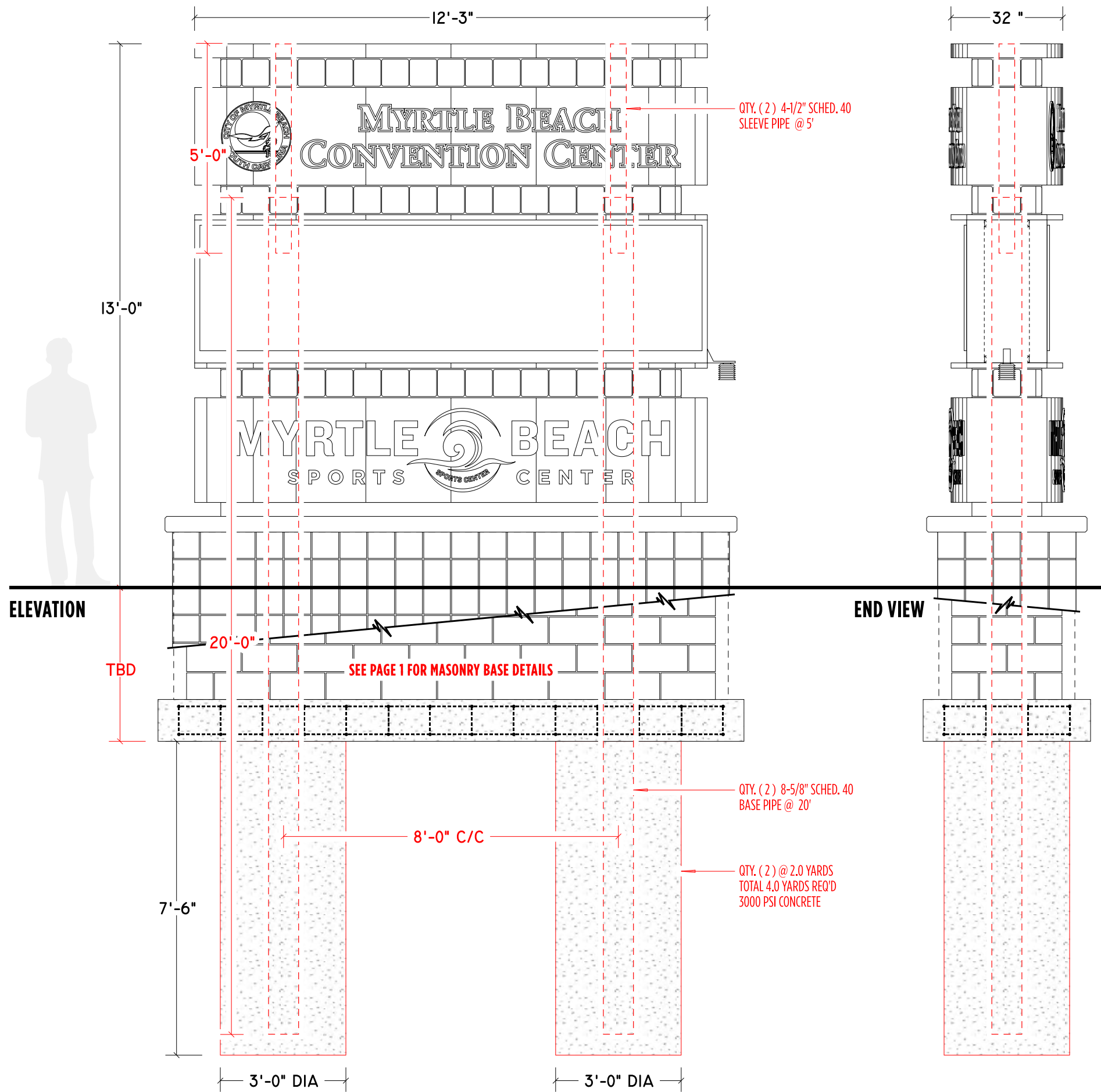
- Brushed Aluminum (Akzo-Nobel SIGN 91163)
- White (Akzo-Nobel paint, 3M vinyl)
- Black (paint / 3M vinyl)
- Digitally printed graphics (various colors for logos, etc.)
- *TBD* split-face block veneer (to match existing)
- *TBD* cast concrete cap (to match existing)



SPECIFICATONS

- "MYRTLE BEACH CONVENTION CENTER" SECTION:**
- Fabricated aluminum construction (2" sq. tube frame, typ.) with seamless, radiused .125 aluminum faces
 - Routed "MYRTLE BEACH CONVENTION CENTER" and City of Myrtle Beach logo with 3/4" thick push-thru acrylic and translucent vinyl (and/or printed vinyl) color face decoration (typ.)
 - Internal LED lamp illumination as required
 - Service to be from ends (access to use concealed fasteners)
- GLASS BLOCK REVEALS:**
- Pittsburgh Corning Premiere Series glass block reveal; 8"x8" Decora® pattern (typ.) w/ Hedron® corner units
 - Glass block to be laid/assembled in formed .125 aluminum 'trays' (top and bottom) and mounted between cabinet sections as shown
- LED DISPLAY SECTION:**
- Watchfire 10mm Full Color LED display (3'-5" x 12'-3" cabinet) with broadband communication ***NO SUBSTITUTIONS ALLOWED***
- "MYRTLE BEACH SPORTS CENTER" SECTION:**
- Fabricated aluminum construction (internal 2" sq. tube frame, typ.) with seamless, radiused .125 aluminum faces
 - Routed "MYRTLE BEACH", logo, and "SPORTS CENTER" with 3/4" thick push-thru acrylic and translucent vinyl (and/or printed vinyl) color face decoration (typ.)
 - Small "SPORTS CENTER" letters within logo are surface vinyl applied to metal face (non-illuminated)
 - Internal LED lamp illumination as required
 - Service to be from ends (access to use concealed fasteners)
- TOP CAP DECOR & LED DISPLAY CABINET TRIM:**
- Fabricated aluminum construction (internal sq. tube framing as required) with seamless, radiused .125 aluminum faces
- BOTTOM ALUMINUM REVEAL:**
- Fabricated 4" sq. aluminum tube (typ.)
- MASONRY BASE:**
- Split-face 8"x8" masonry veneer over standard 8"x16" CMU base, with cast concrete masonry cap (typ. shown)
 - Masonry base to extend below grade as required to match slope of grade at install location
- NOTE: Field verify exact location of sign and slope of grade, etc., to determine overall size of masonry base required
- ELECTRICAL – Final Connection To Primary By Others:**
- CIRCUITS: (2) 120V / 20A
 LAMPS: (24) 24" GE Linefit LED (12 per section @ 10" c/c)
 POWER SUPPLIES: (4) GE 96W

- INSTALLATION:**
- Direct embed installation with twin steel columns (+ sleeves at top) and concrete footings for steel columns and slab for masonry base as shown
- COLORS – Refer to Page 1:**
- Brushed Aluminum (Akzo-Nobel SIGN 91163)
 - White (Akzo-Nobel paint, 3M vinyl)
 - Black (paint / 3M vinyl)
 - Digitally printed graphics (various colors for logos, etc.)
 - *TBD* split-face block veneer (to match existing)
 - *TBD* cast concrete cap (to match existing)



ELEVATION – Sign Above Grade
For Reference Only | Not To Scale



INSTALL LOCATION
For Reference Only | Not To Scale



**MYRTLE BEACH
CONVENTION CENTER**



MYRTLE BEACH
SPORTS  **CENTER**