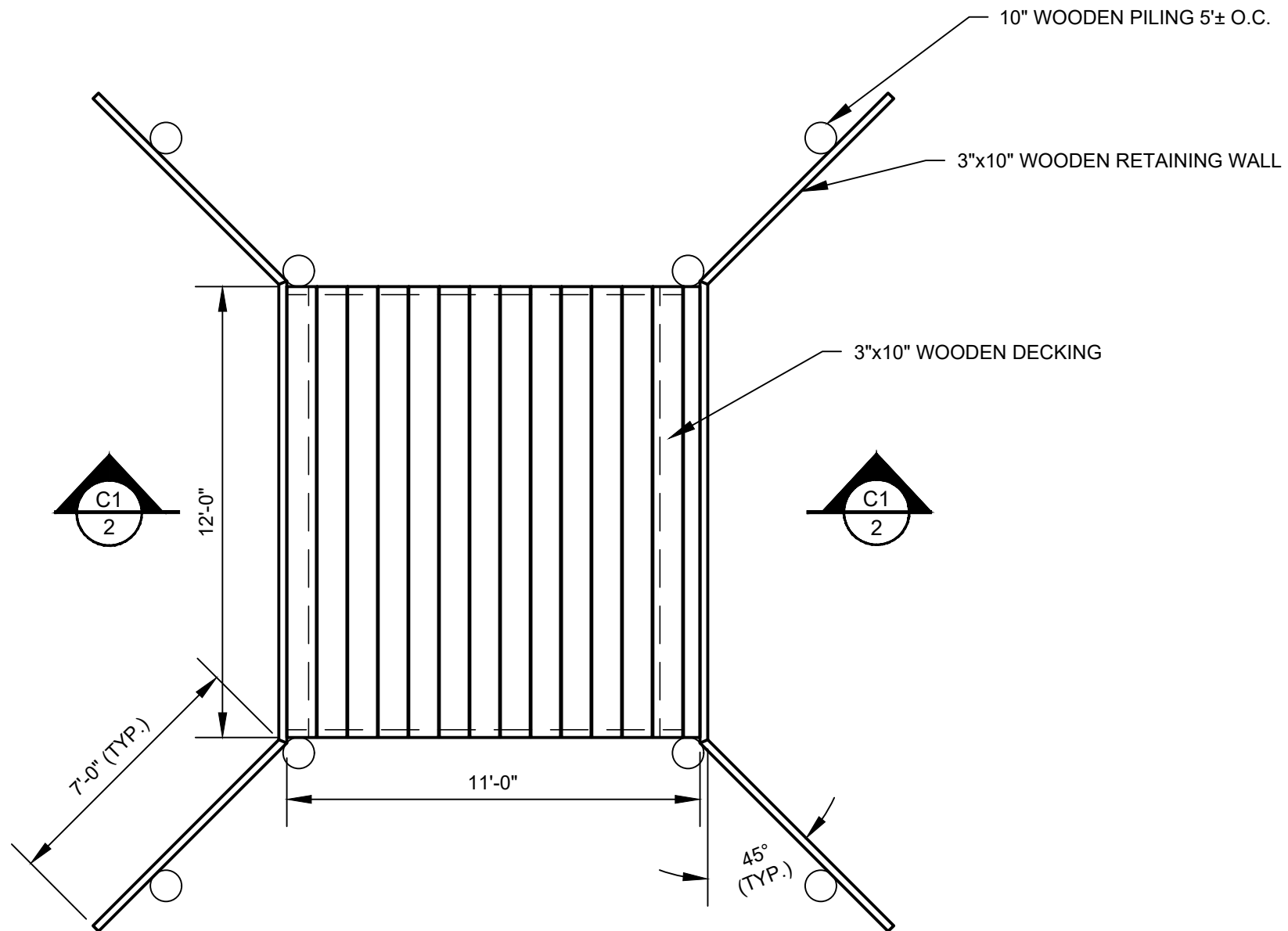
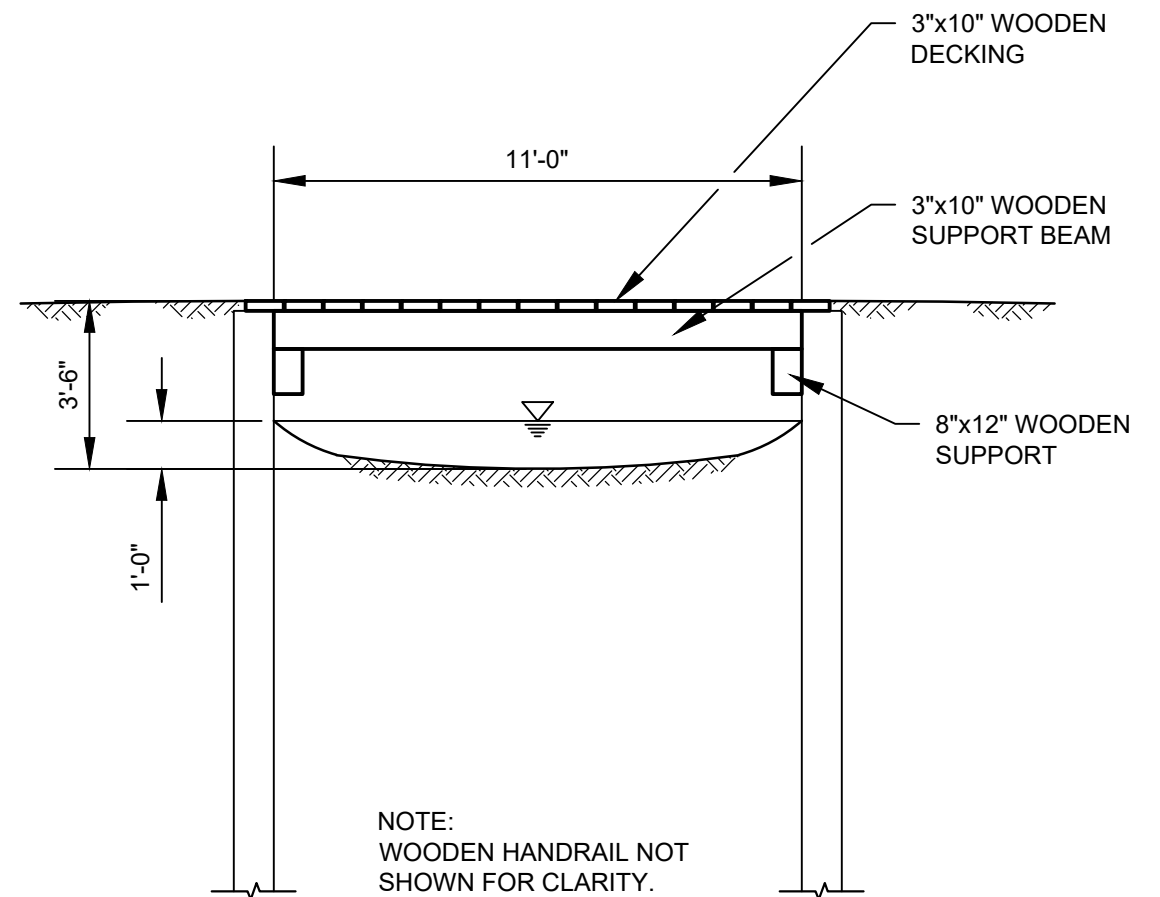


U:\Projects\CADD\15\PELLICER CREEK SOUTH BRIDGE\04.Design Model\PELLICER CREEK N BRIDGE.dwg



C1
1 **PELLICER CREEK (NORTH BRIDGE) PLAN**

0' 2' 4'
SCALE: 1/4" = 1'-0"



C1
2 **PELLICER CREEK (NORTH BRIDGE) CROSS SECTION**

0' 2' 4'
SCALE: 1/4" = 1'-0"

**FOR PERMIT APPLICATION
NOT FOR CONSTRUCTION**

NO.	REVISION	BY	DATE	APPROVED	DATE

MIDDLE ST. JOHNS RIVER BASIN
PELLICER CREEK NORTH BRIDGE
LAKE COUNTY, FLORIDA

ST. JOHNS RIVER
WATER MANAGEMENT DISTRICT
P.O. BOX 1429 PALATKA, FLORIDA

DRAWN: N.J.G.	DATE: OCTOBER 1, 2021	REVIEWER: E.C.B.
SCALE: 1/4" = 1'-0"	DESIGNER: E.C.B.	SECTION CHIEF: E.C.B.

BRIDGE PLAN AND CROSS SECTION

CERTIFICATION:
ELWIN C. BOYNTON JR.
P.E. NUMBER: 57042
DATE: OCTOBER 1, 2021

FILE NAME:
PELLICER CREEK N BRIDGE.dwg
PROJECT NO.:
SHEET:
C1