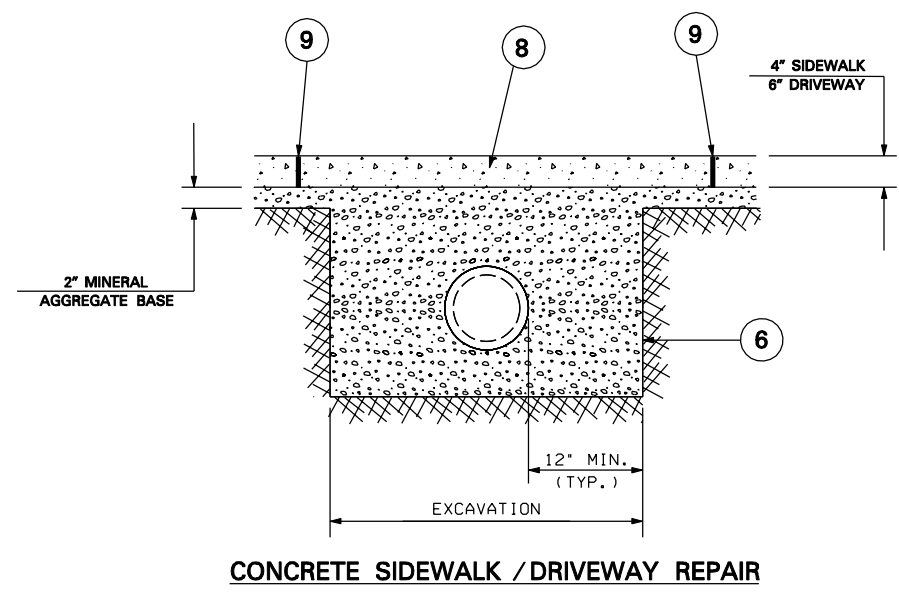
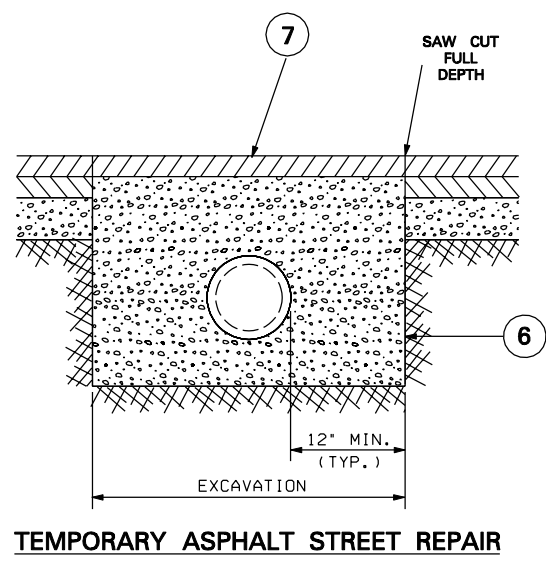
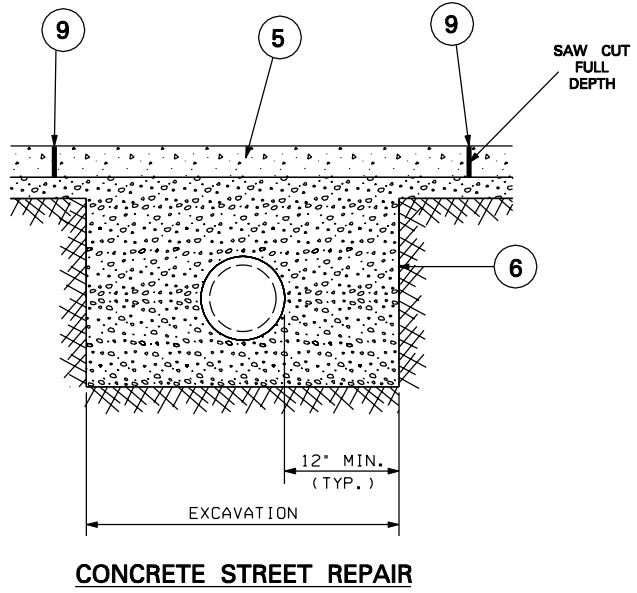
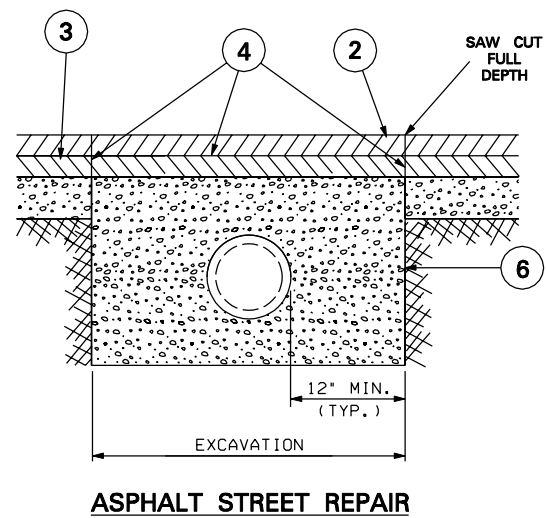


REVISIONS			
No.	DATE	BY	BRIEF DESCRIPTION



NOTES:

1. ALL SECTIONS NOTED BELOW REFERENCE THE CITY OF KNOXVILLE STANDARD SPECIFICATIONS UNLESS OTHERWISE SPECIFIED.
2. ASPHALTIC CONCRETE SURFACE, GRADING D, SECTION 10.0. MATCH EXISTING DEPTH OR MINIMUM THICKNESS OF ONE AND ONE-HALF (1.5) INCHES.
3. BITUMINOUS PLANT MIX BASE, GRADING B, B-M, OR C, SECTION 9.0. MATCH EXISTING DEPTH OR MINIMUM THICKNESS OF TWO AND ONE-HALF (2.5) INCHES. THE ENTIRE FOUR (4) INCH MINIMUM DEPTH MAY BE ASPHALTIC CONCRETE SURFACE GRADING D, BUT SHALL BE COMPACTED IN TWO LIFTS.
4. TACK COAT, SECTION 7.0.
5. PORTLAND CEMENT CONCRETE PAVEMENT, SECTION 11.0. JOINTS SHALL BE DOWELED AS DETAILED IN SECTION 11.0.
6. MINERAL AGGREGATE BASE, CLASS A AGGREGATE GRADING D, SECTION 5.0. COMPACTED IN SIX (6) INCH LIFTS TO 100% OF THE STANDARD PROCTOR DENSITY AT 2% LESS THAN OPTIMUM MOISTURE CONTENT AS DETERMINED BY AASHTO T99, METHOD D, APPROXIMATELY 140 PCF FOR LIMESTONE.
7. WHEN A TEMPORARY ASPHALT PATCH IS USED, IT SHALL BE PLACED IMMEDIATELY AFTER THE MINERAL AGGREGATE BACKFILL. ALL TEMPORARY REPAIRS MUST BE REPLACED PERMANENTLY WITHIN 90 DAYS.
8. CONCRETE SIDEWALKS, DRIVEWAYS, AND MEDIAN STRIP, SECTION 13.0.
9. LIMITS OF REMOVAL SHALL BE FROM THE NEAREST EXPANSION OR CONTRACTION JOINT.
10. EXISTING CONCRETE STREETS THAT HAVE BEEN OVERLAID WITH ASPHALT SHALL BE REPAIRED WITH ASPHALT. THE DEPTH OF THE ASPHALT REPLACING THE CONCRETE SHALL BE INCREASED 50% (PLUS ANY OVERLAY). THUS, THE TOTAL DEPTH SHALL BE 1.5 TIMES THE CONCRETE THICKNESS PLUS THE ASPHALT OVERLAY THICKNESS.

CITY OF KNOXVILLE DEPARTMENT OF ENGINEERING		DRAWN: RW DESIGNED: FLT DATE: 10-JAN-02 CHECKED: FLT APPROVED: DTH
STANDARD DETAIL FOR TRENCH CUT REPAIRS		COK-12