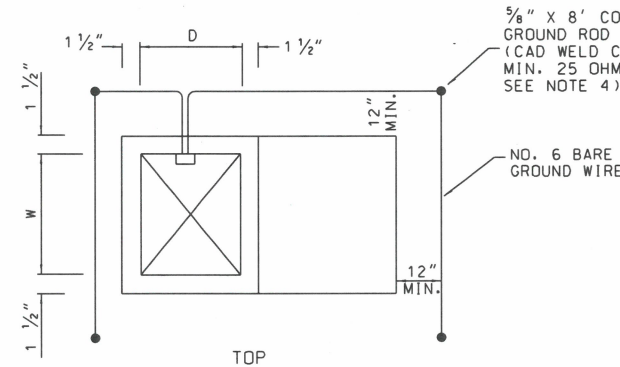


APPROXIMATE MINIMUM DIMENSIONS FOR CONTROLLER EQUIPMENT CABINET				
TYPE	HEIGHT(H)	WIDTH(W)	DEPTH(D)	USE
8 PHASE BASE MOUNTED (OR 4 PHASE WITH MASTER)	55'	44'	26'	8 PHASE CONTROLLER - 8 PHASE OPERATION OR 4 PHASE OPERATION WITH MASTER

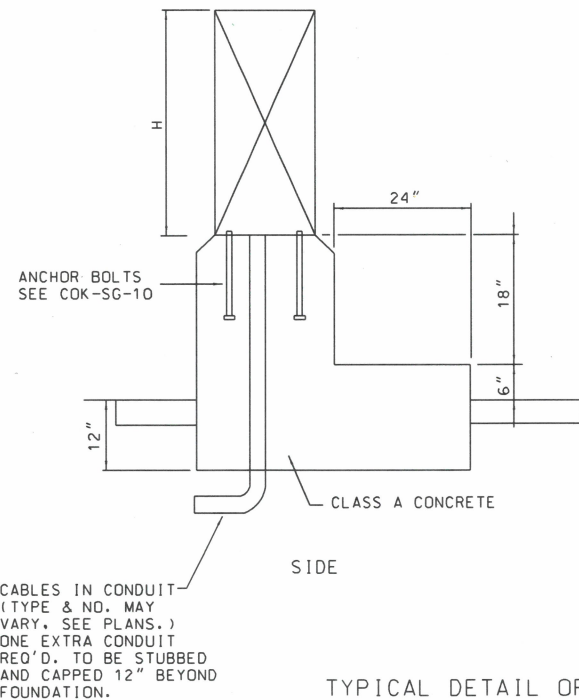
\* LARGER SIZES MAY BE REQUIRED FOR LOCATIONS WITH ADDITIONAL EQUIPMENT.



5/8" x 8' COPPERCLAD GROUND ROD (2 TO 4 REOD.) (CAD WELD CONNECTION - MIN. 25 OHMS RESISTANCE REOD. SEE NOTE 4)

NO. 6 BARE GROUND WIRE

TOP

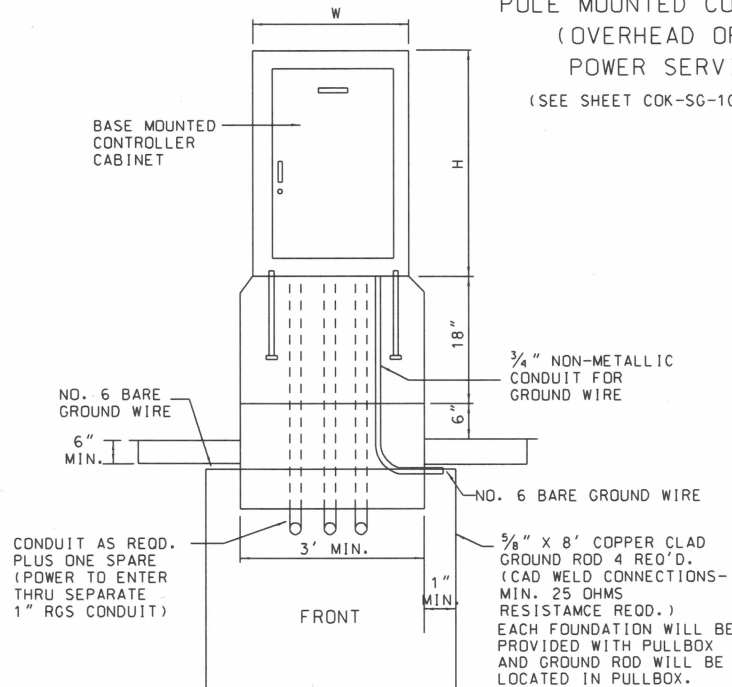


SIDE

TYPICAL DETAIL OF BASE FOR CONTROLLER CABINET

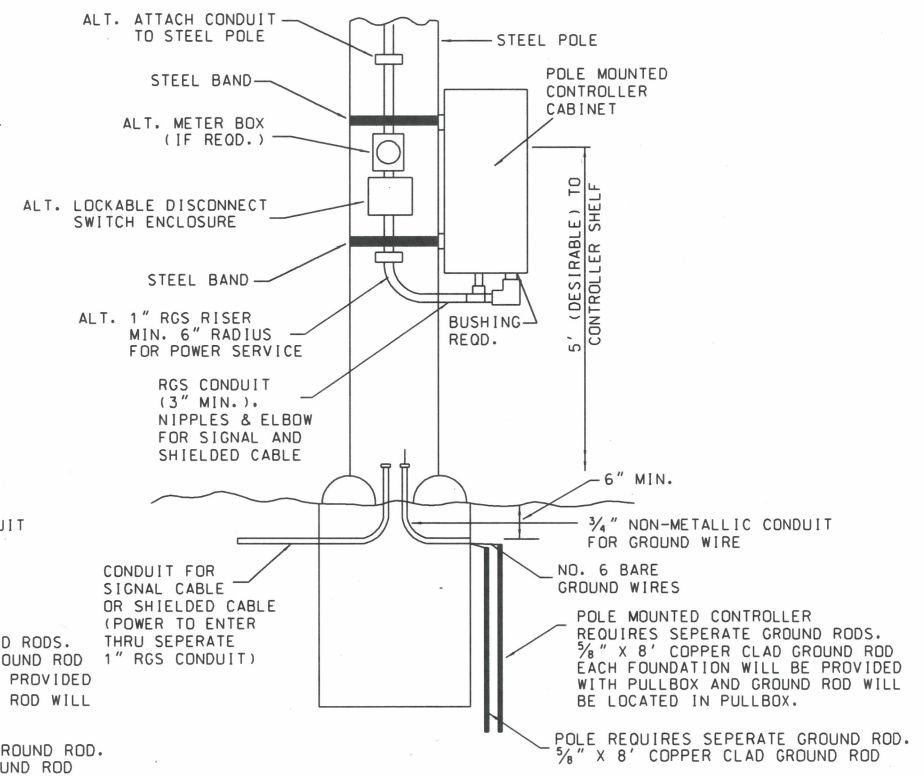
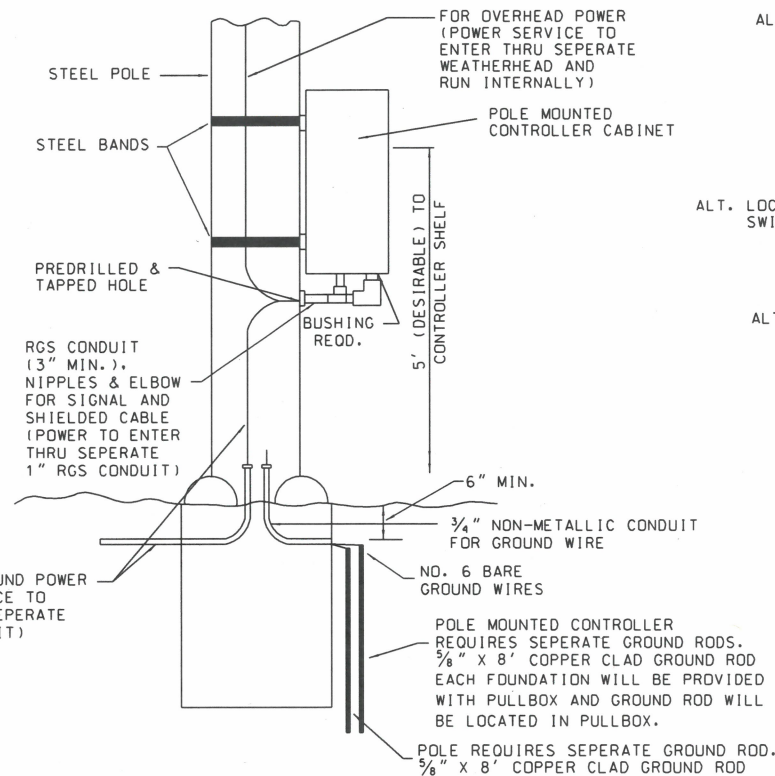
BASE MOUNTED CABINET NOTES:

1. THE BASE MOUNTED CABINET IS TO BE SITUATED IN THE OPTIMUM POSITION FOR VIEWING THE CONTROLLER OPERATION AND THE ON STREET SIGNAL DISPLAYS SIMULTANEOUSLY.
2. ALL CONDUIT TO UTILIZE LARGE SWEEP RADII (MINIMUM 6" RADIUS).
3. FOUNDATIONS TO HAVE ONE SPARE 2" CONDUIT. SPARE CONDUIT TO EXTEND 24" BEYOND FOUNDATION AND BE CAPPED.
4. UP TO 4 GROUND RODS MAY BE REQUIRED, CONTRACTOR TO INSTALL NUMBER OF GROUND RODS REQUIRED TO ACHIEVE MINIMUM 25 OHMS RESISTANCE A MINIMUM OF 2 GROUND RODS ARE REQUIRED.



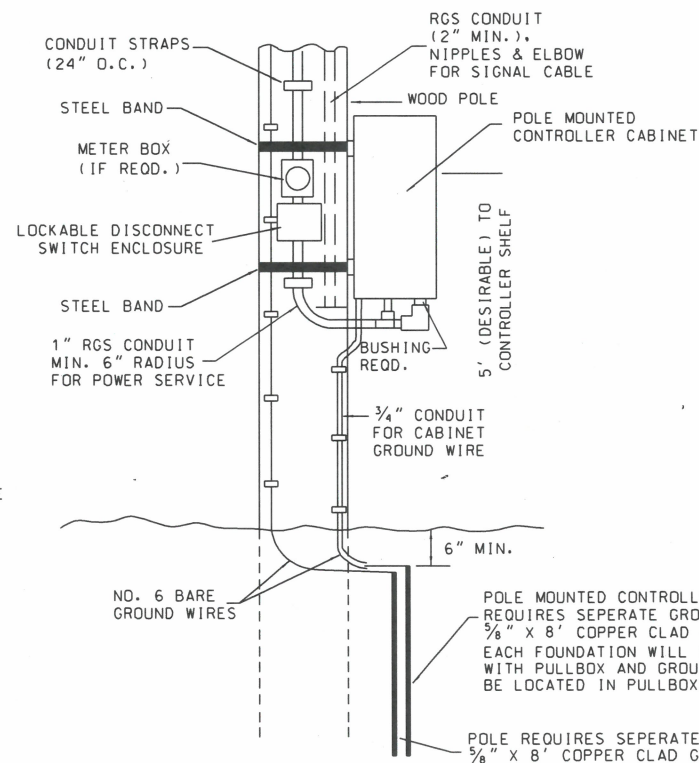
FRONT

TYPICAL DETAIL FOR STEEL STRAIN POLE MOUNTED CONTROLLER CABINET (OVERHEAD OR UNDERGROUND POWER SERVICE ENTRANCE) (SEE SHEET COK-SG-10 FOR FOUNDATION DETAILS)

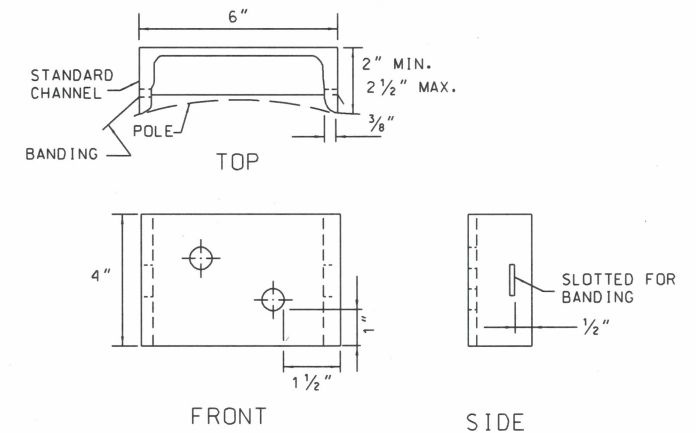


ALTERNATE TYPICAL DETAIL FOR STEEL STRAIN POLE MOUNTED CONTROLLER CABINET (OVERHEAD POWER SERVICE TRANCE)\*

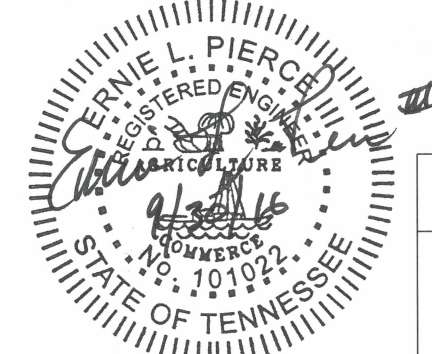
(SEE SHEET COK-SG-10 FOR FOUNDATION DETAILS)  
\* TYPICAL POWER SERVICE TO BE RUN INTERNALLY DOWN POLE FROM WEATHERHEAD AT TOP OF POLE.



TYPICAL DETAIL FOR WOOD POLE MOUNTED CONTROLLER CABINET



MOUNTING BRACKET FOR POLE MOUNTED CONTROLLER CABINET (TWO PER CABINET)



CITY OF KNOXVILLE  
DEPARTMENT OF ENGINEERING

CONTROLLER  
CABINET DETAILS