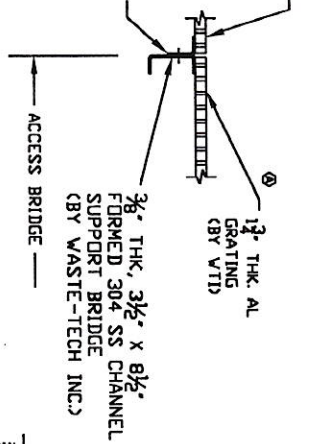
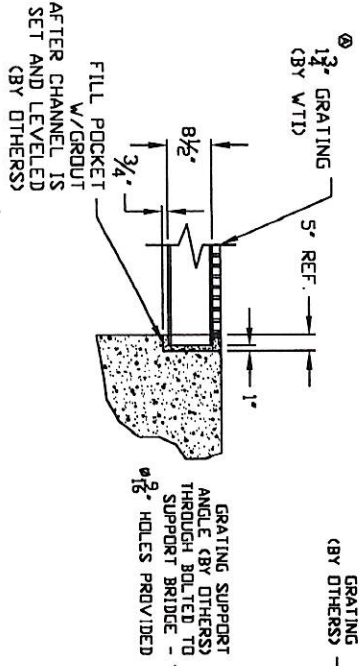
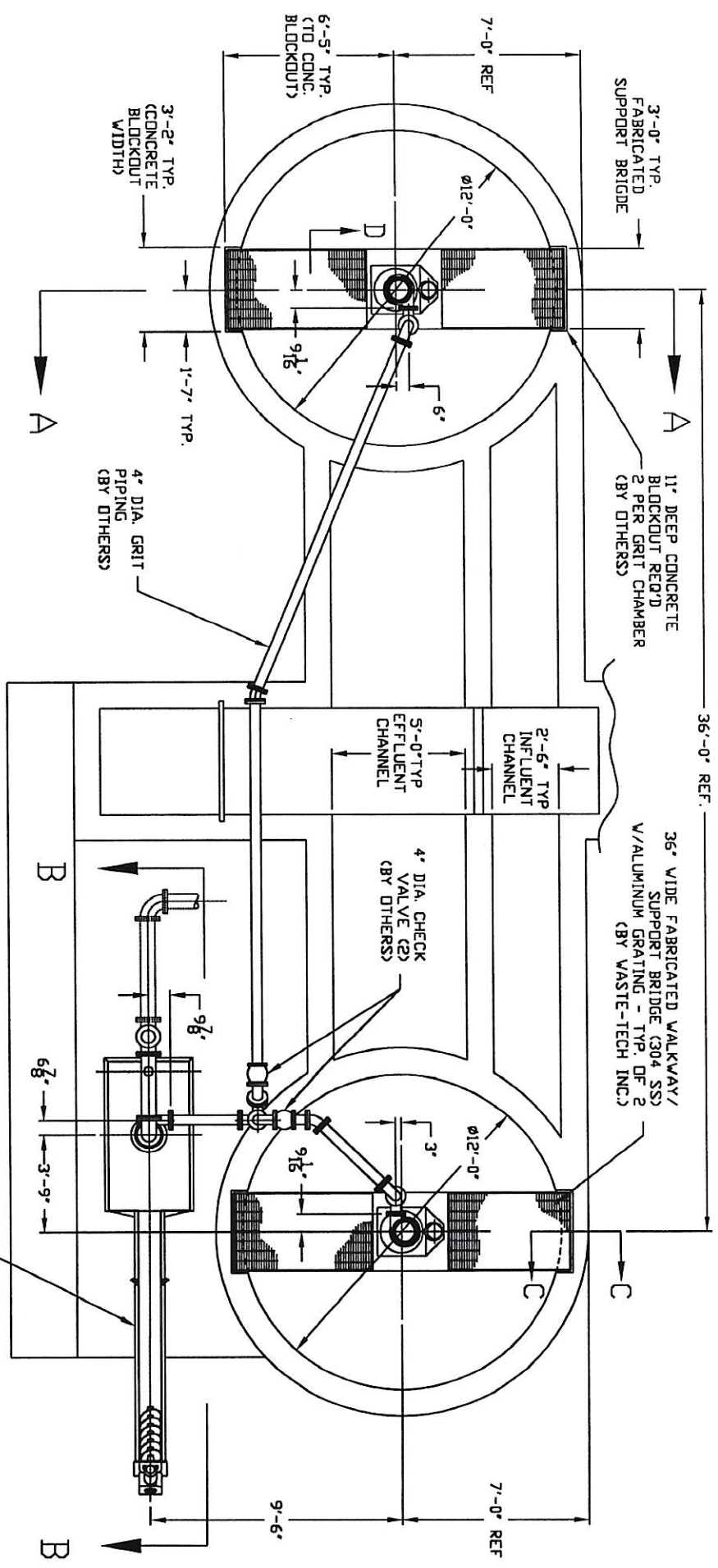


ITEM	DESCRIPTION	MTL	QTY
------	-------------	-----	-----



BRIDGE POCKET TYP SECTION C-C
SCALE: 2X

GRATING ACCESS BRIDGE DETAIL D
SCALE: 2X

WASTE-TECH MODEL 915F
GRIT CLASSIFIER
SEE DWG. SM-D17180

NO.	DESCRIPTION	DATE	BY
A	CHANGED BRIDGE GRATING FROM 1 1/2" TO 1 3/4"	JAN 09, 02	BRK
B			

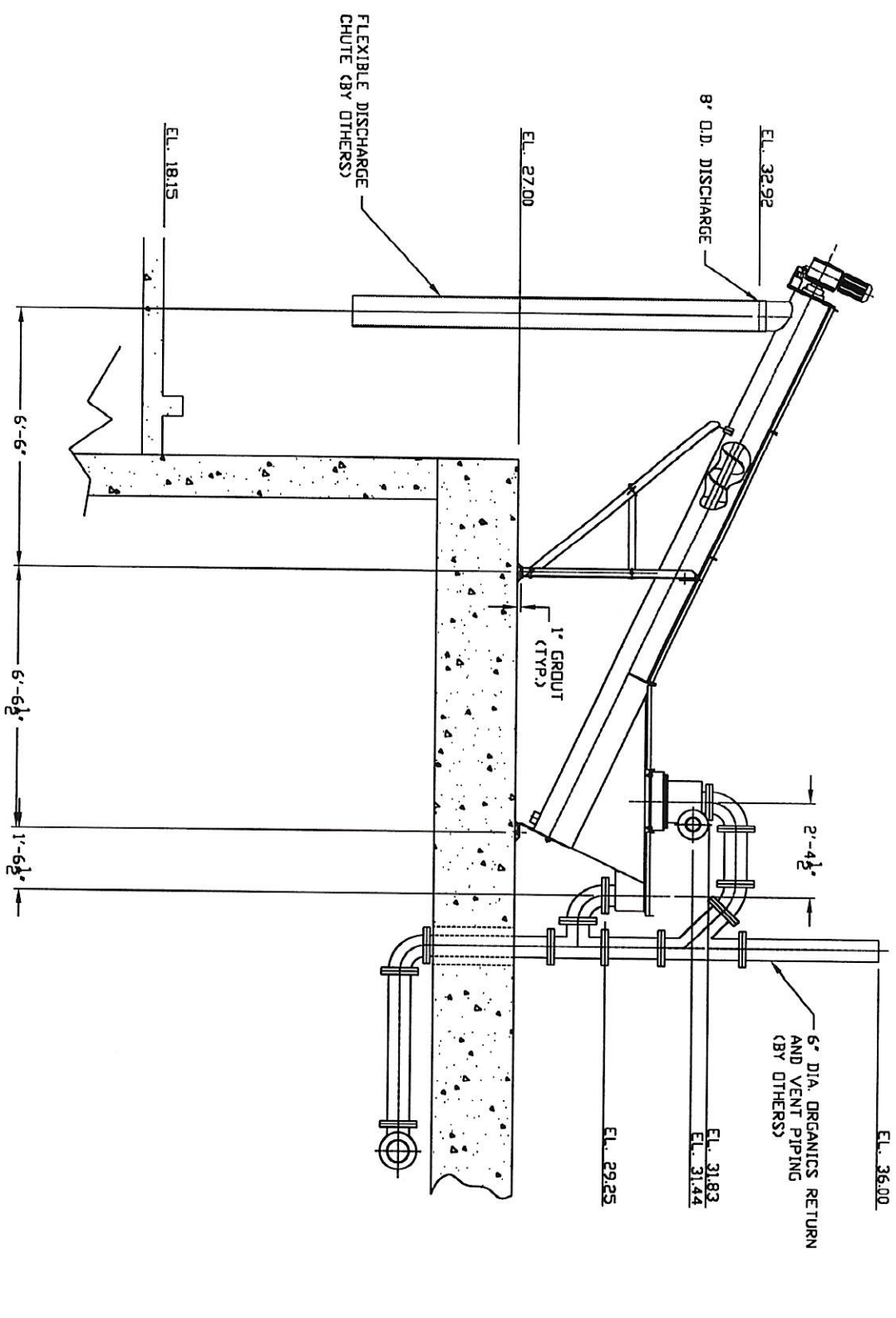
WASTE-TECH

1981 INDUSTRIAL DR LIBERTYVILLE IL 60048

THE EQUIPMENT LAYOUT, PLAN VIEW
MODEL 550 JETA W/ MODEL 915 CLASSIFIER
SEASIDE UTILITIES, GEORGETOWN, SC

PROJECT NO.	SM-C17127	DATE	07-15-01
REVISED BY		DATE	
DESIGNED BY		DATE	
CHECKED BY		DATE	
APPROVED BY		DATE	

1 OF 3



SECTION B-B

WASTE-TECH²

REV.	DESCRIPTION	DATE

THIS DRAWING IS THE EXCLUSIVE PROPERTY OF WASTE-TECH, INC. IT IS TO BE USED FOR THE PROJECT FOR WHICH IT WAS DESIGNED. IT IS NOT TO BE USED FOR ANY OTHER PROJECT, AND IT IS TO BE RETURNED UPON REQUEST.

DATE	10-28-01
DESIGNER	BLD
APPROVED BY	BLD

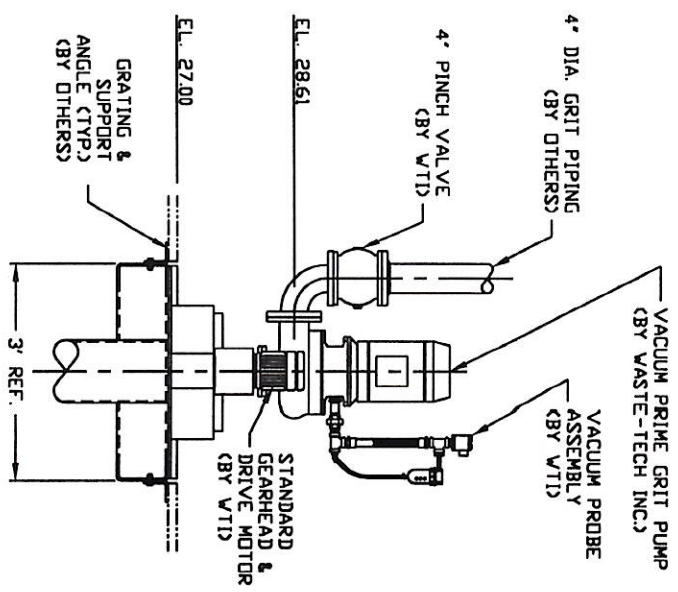
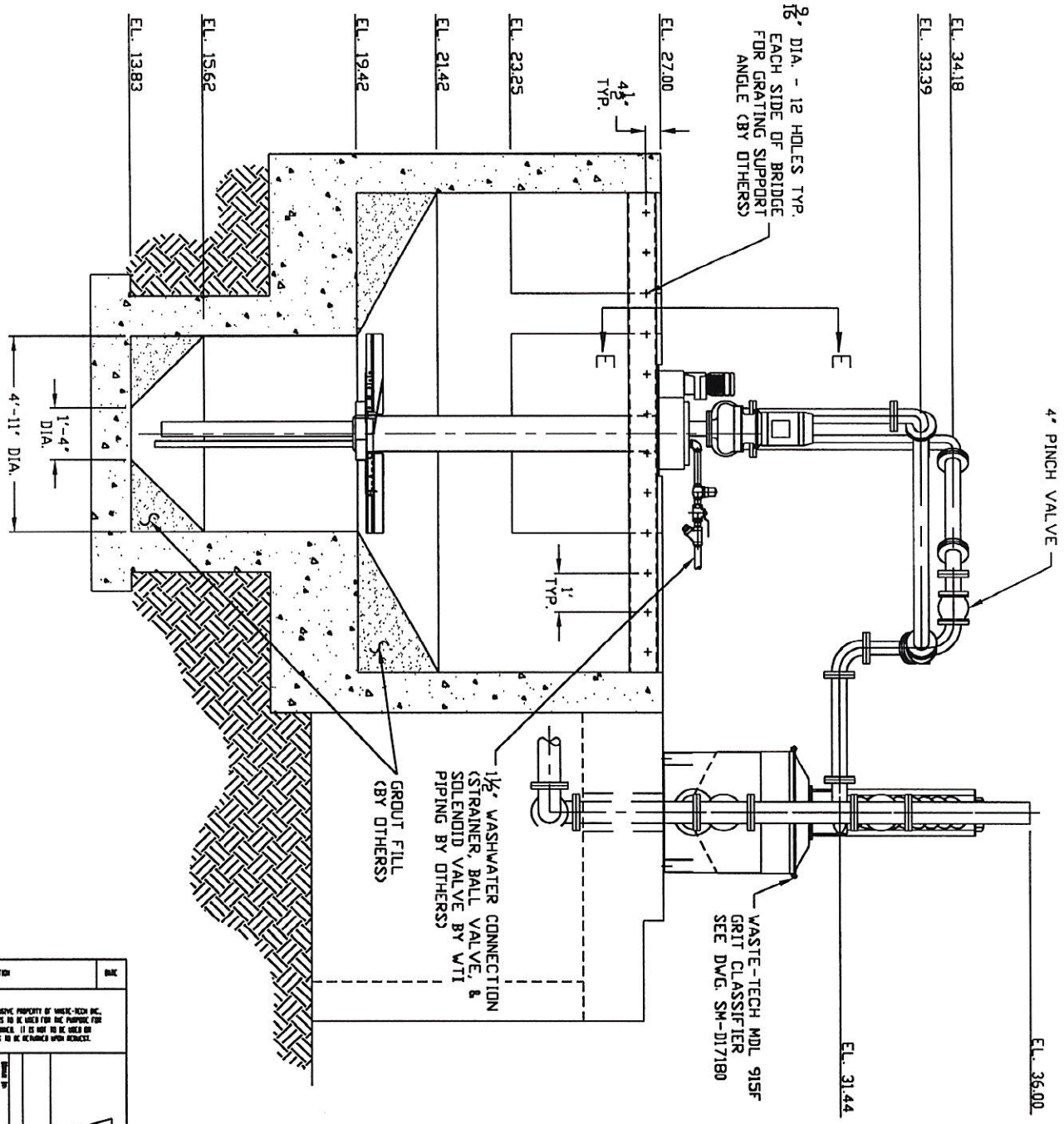
1931 INDUSTRIAL DR
LIBERTYVILLE IL 60048

EQUIPMENT LAYOUT
MODEL S50 JETA V/MODEL 915 CLASSIFIER
SEASIDE UTILITIES, GORRIDGE TOWN, SC

SCALE	1/2" = 1'
DATE	07-24-01
PROJECT NO.	SM-C17127
SHEET NO.	2 OF 3

ITEM	DESCRIPTION	UNIT	QTY.

ITEM	DESCRIPTION	MATL.	QTY.
------	-------------	-------	------



SECTION E - E
SCALE: 1.5X

SECTION A-A

WASTE-TECH

1931 INDUSTRIAL DR LIBERTYVILLE IL 60048

TITLE		EQUIPMENT LAYOUT	
MODEL		MODEL 550 JETA V/ MODEL 915 CLASSIFIER	
DESIGNED BY		SEASIDE UTILITIES, GEORGETOWN, SC	
CHECKED BY		DATE	
PROJECT NO.		SM-C17127	
DRAWING NO.		3 OF 3	

THIS PRINT, THE EXCLUSIVE PROPERTY OF WASTE-TECH INC. IS CONFIDENTIAL. IT IS TO BE USED FOR THE PURPOSE FOR WHICH IT WAS DESIGNED. IT IS NOT TO BE REPRODUCED OR TRANSMITTED IN ANY FORM OR BY ANY MEANS, ELECTRONIC OR MECHANICAL, INCLUDING PHOTOCOPYING, RECORDING, OR BY ANY INFORMATION STORAGE AND RETRIEVAL SYSTEM, WITHOUT THE WRITTEN PERMISSION OF WASTE-TECH INC.