



Industrial Hygiene • Air Quality • Lead & Asbestos • Training • Health & Safety

LIMITED ASBESTOS INSPECTION REPORT

Conducted at:

CYPRESS ELEMENTARY SCHOOL
HVAC REPLACEMENT PROJECT
351 WEST CYPRESS STREET
COVINA, CALIFORNIA 91723

Prepared for:


MR. BRIAN JOHNSON
ASSISTANT DIRECTOR OF MAINTENANCE & OPERATION, FACILITIES &
TRANSPORTATION
COVINA-VALLEY UNIFIED SCHOOL DISTRICT
519 EAST BADILLO STREET
COVINA, CALIFORNIA 91723

Prepared by:

EXECUTIVE ENVIRONMENTAL
310 EAST FOOTHILL BOULEVARD, SUITE 200
ARCADIA, CALIFORNIA 91006

Project Number EE 23-Z0172-0075
May 25, 2023 (Amended June 19, 2023)

Report assembled by:


Yesenia G. Galeana
Technical Report Writer
Executive Environmental

Report generated/reviewed by:


Tim Galeana, CAC# 98-2470
Senior Project Manager
Executive Environmental

TABLE OF CONTENTS

- I. EXECUTIVE SUMMARY
- II. SAMPLING METHODOLOGY
- III. SAMPLE ANALYSIS
- IV. FINDINGS
- V. CONCLUSIONS/RECOMMENDATIONS
- VI. DISCLAIMER/REPORT LIMITATIONS

APPENDICES

APPENDIX A – LABORATORY ANALYSIS REPORT

APPENDIX B – SITE DRAWING

APPENDIX C – STAFF CERTIFICATION

LIMITED ASBESTOS INSPECTION REPORT

Project Number: EE 23-Z0172-0075

Client: Covina-Valley Unified School District
519 East Badillo Street
Covina, California 91723

Site Location: Cypress Elementary School
HVAC Replacement Project
351 West Cypress Street
Covina, California 91723

Site Use: School Property

Contact Person: Mr. Brian Johnson
Assistant Director of Maintenance & Operations, Facilities
and Transportation
Phone: (626) 974-7000, ext. 800145

Inspection Date: April 19 thru 25, 2023

Inspected By: Mr. Matthew Barna
Certified Site Surveillance Technician, # 19-6738

Report Assembled By: Ms. Yesenia G. Galeana
Technical Report Writer

Report Generated/Reviewed By: Mr. Tim Galeana
Certified Asbestos Consultant, # 98-2470

I. EXECUTIVE SUMMARY

Executive Environmental (EE) provided the services of a Certified Site Surveillance Technician (Mr. Matthew Barna # 19-6738), **under the direction of a Certified Asbestos Consultant (Mr. Tim Galeana #98-2470)**, to conduct a limited asbestos inspection of Buildings B (MPR), C, F, G, H, I and J at Cypress Elementary School located at 351 West Cypress Street, Covina, California. The inspection was conducted as a precursor to the upcoming HVAC Replacement. At the time of the inspection, no visible signs of fire or structural damage were observed. Materials suspected of containing asbestos were sampled and analyzed for the presence of asbestos. Asbestos-Containing Materials (ACM) and other hazardous materials were identified during this inspection. *This is considered to be a limited inspection. The inspection was limited to materials and locations anticipated to be impacted by the HVAC Replacement project, as directed by the District Representative.*

II. SAMPLING METHODOLOGY

A visual inspection of Buildings B (MPR), C, F, G, H, I and J was conducted prior to the collection of any bulk samples. The visual inspection was conducted to identify and record the location and condition of the materials to be sampled. Following the visual inspection, bulk material samples of the identified suspect asbestos-containing building materials were collected. The materials were categorized into homogeneous groupings, and each sample was assigned a unique sample number and placed into a sealed container. Sampling was conducted in accordance with South Coast Air Quality Management District Rule 1403 which states: the survey shall include, at a minimum, identification of all affected materials at the facility, including but not limited to all layers of flooring materials to the joist level, and all material in the wall or ceiling cavities as necessary to identify and sample. Sampling methodology follows South Coast Air Quality Management District Rule 1403(h) Sampling Protocols and Test Methods.

Upon completion of the bulk sample collection, a chain of custody was prepared and the samples were delivered to the laboratory for analysis. AmeriSci, located at 24416 South Main Street, Suite 308, Carson, California 90745 (310-834-4868) analyzed the samples using Polarized Light Microscopy (PLM). AmeriSci is an accredited participant in the National Voluntary Laboratory Accreditation Program (NVLAP), No. 200346-0. The principles described in the current Environmental Protection Agency (EPA) 600 method were used in the preparation and analysis of the bulk samples.

Note: Inaccessible suspect asbestos materials may be located within sealed ceilings, walls, or floors; or within wall cavities, interstitials, shafts, etc. Suspect asbestos materials located in these areas must be sampled prior to any activities that might cause them to be disturbed.

III. SAMPLE ANALYSIS

Two hundred and sixteen (216) samples were collected during this inspection. The laboratory analysis results are identified in the following table. Materials determined not to contain asbestos are listed as “No Asbestos Detected” (NAD).

Any material found to contain more than 1% of a known asbestos substance is considered to be an asbestos-containing material (ACM). Materials falling within this category are controlled and must be handled in accordance with the California Occupational Safety & Health Administration (Cal/OSHA), EPA, and South Coast Air Quality Management District (SCAQMD) regulations.

In addition, materials which are characterized as non-ACM by EPA or other local regulatory agencies may fall within the regulatory standards of Cal/OSHA, which further regulates any materials found to contain more than 1/10 of 1%, but 1% or less, of a known asbestos substance as asbestos-containing construction materials (ACCMs). Impacting or handling ACCMs requires special employer Registration, documentation, training, and personal protective equipment. When a material is to be impacted, the National Emission Standards for Hazardous Air Pollutants (NESHAPs) regulations require further testing for materials that fall within this category.

The PLM analytical protocol requires each layer of the sample to be analyzed separately. The quantity of analyses will vary based on the number of layers in a sample and whether a "positive stop" is employed. When one sample of a homogeneous area is positive, the remainder of the samples need not be analyzed because the entire homogeneous area must be considered positive.

**Sampling results begin on the next page.
The remainder of this page is blank.**

POLARIZED LIGHT MICROSCOPY (PLM) ANALYSIS DATA

Cypress Elementary School
351 West Cypress Street
Covina, California 91723

Homogeneous Material #	Material Description	Material Location	Estimated Quantity	Condition ^A	Type ^B	Friable	Percent Damaged	Sample Number	Sample Location	Analytical Results
Building B (MPR)										
1	Brown cloth vibration dampener	Mechanical Attic: on blower duct work	2 Total	G	Misc.	No	0	2304190075MB-01	Center	NAD ^C
								2304190075MB-02	Center	NAD
								2304190075MB-03	Center	NAD
2	Black rubberized vibration dampener	Mechanical Attic: on ducts near heater units	2 Total	G	Misc.	No	0	2304190075MB-04	West	NAD
								2304190075MB-05	West	NAD
								2304190075MB-06	East	NAD
3	Duct hatch gasket with mastic	Mechanical Attic: on duct work access hatches	3 Total	G	Misc.	No	0	2304190075MB-07	Center	NAD
								2304190075MB-08	Northwest	NAD
								2304190075MB-09	Northeast	NAD
4	Duct mastic	Mechanical Attic: on some duct seams	6 Square Feet	G	Misc.	No	0	2304190075MB-10	Southwest	NAD
								2304190075MB-11	Southwest	NAD
								2304190075MB-12	Southeast	NAD

Note: This table must be used in conjunction with the entire report. This document is not to be used for contract bidding and is intended to be used to identify asbestos-containing materials and their locations only.

Sampling results continue on the next page.

^A G = Good; D = Damaged; SD = Severely Damaged

^B Misc. = Miscellaneous; Surf. = Surfacing; TSI = Thermal System Insulation

^C NAD – No Asbestos Detected

POLARIZED LIGHT MICROSCOPY (PLM) ANALYSIS DATA

Cypress Elementary School
351 West Cypress Street
Covina, California 91723

Homogeneous Material #	Material Description	Material Location	Estimated Quantity	Condition ^D	Type ^E	Friable	Percent Damaged	Sample Number	Sample Location	Analytical Results
Building B (MPR)										
5	Rough plaster	Walls and ceilings of Mechanical attic, Electrical room (B202) and Water heater room (B207)	1,500 Square Feet	G	Surf.	No	0	2304190075MB-13	Mechanical attic, ceiling, northwest	Layers 1 & 2: NAD ^F
								2304190075MB-14	Mechanical attic, south wall	Layers 1 & 2: NAD
								2304190075MB-15	Electrical room (B202), north wall	Layers 1 & 2: NAD
								2304190075MB-16	Water heater room (B207), ceiling, southeast	Layers 1 & 2: NAD
								2304190075MB-17	Water heater room (B207), south wall	Layers 1 & 2: NAD

Note: This table must be used in conjunction with the entire report. This document is not to be used for contract bidding and is intended to be used to identify asbestos-containing materials and their locations only.

Sampling results continue on the next page.

^D G = Good; D = Damaged; SD = Severely Damaged

^E Misc. = Miscellaneous; Surf. = Surfacing; TSI = Thermal System Insulation

^F NAD – No Asbestos Detected

POLARIZED LIGHT MICROSCOPY (PLM) ANALYSIS DATA

Cypress Elementary School
351 West Cypress Street
Covina, California 91723

Homogeneous Material #	Material Description	Material Location	Estimated Quantity	Condition ^G	Type ^H	Friable	Percent Damaged	Sample Number	Sample Location	Analytical Results
Building B (MPR)										
6	Plaster with finish coating	Walls and ceilings throughout MPR building except Mechanical attic, Electrical room (B202) and Water heater room (B207)	6,000 Square Feet	G	Surf.	No	0	2304190075MB-18	MPR (B204), west column	Layers 1 & 2: NAD ^I
								2304190075MB-19	MPR (B204), northeast wall	Layers 1 & 2: NAD
								2304190075MB-20	Storage room (B203), southeast wall	Layers 1 & 2: NAD
								2304190075MB-21	Hallway (B206), northwest wall	Layers 1 & 2: NAD
								2304190075MB-22	Kitchen (B208), ceiling, northeast	Layers 1 & 2: NAD
								2304190075MB-23	Custodian room (B214), ceiling, southwest	Layers 1 & 2: NAD
								2304190075MB-24	Vestibule (B216A), southwest wall	Layers 1 & 2: NAD

Note: This table must be used in conjunction with the entire report. This document is not to be used for contract bidding and is intended to be used to identify asbestos-containing materials and their locations only.

Sampling results continue on the next page.

^G G = Good; D = Damaged; SD = Severely Damaged

^H Misc. = Miscellaneous; Surf. = Surfacing; TSI = Thermal System Insulation

^I NAD – No Asbestos Detected

POLARIZED LIGHT MICROSCOPY (PLM) ANALYSIS DATA

Cypress Elementary School
351 West Cypress Street
Covina, California 91723

Homogeneous Material #	Material Description	Material Location	Estimated Quantity	Condition ^J	Type ^K	Friable	Percent Damaged	Sample Number	Sample Location	Analytical Results
Building B (MPR)										
7	Drywall (no joint compound)	Walls and ceilings of Office (B201), Storage room (B203), MPR (B204), Vestibule (B217)	5,200 Square Feet	G	Misc.	Yes	0	2304190075MB-25	MPR (B204), north wall	Layers 1 & 2: NAD ^L
								2304190075MB-26	MPR (B204), ceiling, north	Layers 1 & 2: NAD
								2304190075MB-27	MPR (B204), ceiling, southwest	Layers 1 & 2: NAD
8	12"x12" Ceiling tile with mastic	Office (B201), Storage room (B203), MPR (B204), Vestibule (B217)	4,000 Square Feet	G	Misc.	Yes	0	2304190075MB-28	MPR (B204), northwest	Layers 1 & 2: NAD
								2304190075MB-29	MPR (B204), north	Layers 1 & 2: NAD
								2304190075MB-30	MPR (B204), southwest	Layers 1 & 2: NAD
9	2'x2' Wall tile and mastic	MPR (B204)	1,200 Square Feet	G	Misc.	Yes	0	2304190075MB-31	North	Layers 1 thru 3: NAD
								2304190075MB-32	Northeast	Layers 1 & 2: NAD
								2304190075MB-33	Southeast	Layers 1 & 2: NAD
10	1'x1' Wall tile (screwed-in, no mastic)	MPR (B204) patched areas	50 Square Feet	G	Misc.	Yes	0	2304190075MB-34	Northwest	NAD
								2304190075MB-35	Southwest	NAD
								2304190075MB-36	Southeast	NAD

Note: This table must be used in conjunction with the entire report. This document is not to be used for contract bidding and is intended to be used to identify asbestos-containing materials and their locations only.

Sampling results continue on the next page.

^J G = Good; D = Damaged; SD = Severely Damaged

^K Misc. = Miscellaneous; Surf. = Surfacing; TSI = Thermal System Insulation

^L NAD – No Asbestos Detected

POLARIZED LIGHT MICROSCOPY (PLM) ANALYSIS DATA

Cypress Elementary School
351 West Cypress Street
Covina, California 91723

Homogeneous Material #	Material Description	Material Location	Estimated Quantity	Condition ^M	Type ^N	Friable	Percent Damaged	Sample Number	Sample Location	Analytical Results
Building B (MPR)										
11	Fiberboard with mastic	East and west walls and ceilings of MPR (B204)	5,200 Square Feet	G	Misc.	No	0	2304200075MB-37	East wall	NAD ^o
								2304200075MB-38	West wall	NAD
								2304200075MB-39	Northeast wall	Layers 1 & 2: NAD
12	Roofing material (core sample)	Throughout rooftop above attic mechanical room	250 Square Feet	G	Misc.	No	0	2304200075MB-40	North near vent	Membrane: NAD
										Shingle: NAD
										Felt: 20% Chrysotile
								2304200075MB-41	Southwest	Membrane: NAD
										Shingle: NAD
										Felt: 20% Chrysotile
2304200075MB-42	East at parapet	Membrane: NAD								
		Shingle: NAD								
		Felt: 20% Chrysotile								
13	Roof mastic	Throughout rooftop above attic mechanical room at jacks and flashing	8 Square Feet	G	Misc.	No	0	2304200075MB-43	Southeast flashing	3% Chrysotile
								2304200075MB-44	North at vent	4% Chrysotile
								2304200075MB-45	East flashing	4% Chrysotile

Note: This table must be used in conjunction with the entire report. This document is not to be used for contract bidding and is intended to be used to identify asbestos-containing materials and their locations only.

^M G = Good; D = Damaged; SD = Severely Damaged

^N Misc. = Miscellaneous; Surf. = Surfacing; TSI = Thermal System Insulation

^o NAD – No Asbestos Detected

POLARIZED LIGHT MICROSCOPY (PLM) ANALYSIS DATA

Cypress Elementary School
351 West Cypress Street
Covina, California 91723

Homogeneous Material #	Material Description	Material Location	Estimated Quantity	Condition ^P	Type ^Q	Friable	Percent Damaged	Sample Number	Sample Location	Analytical Results
Building B (MPR)										
14	Conduit pad	Throughout rooftop above attic mechanical room	2 Square Feet	G	Misc.	No	0	2304200075MB-46	Center	NAD ^R
								2304200075MB-47	Center	NAD
								2304200075MB-48	Center	NAD
15	Flashing tape	Throughout rooftop above attic mechanical room	4 Square Feet	G	Misc.	No	0	2304200075MB-49	Southwest	NAD
								2304200075MB-50	Northwest	NAD
								2304200075MB-51	Northeast	NAD

Note: This table must be used in conjunction with the entire report. This document is not to be used for contract bidding and is intended to be used to identify asbestos-containing materials and their locations only.

Sampling results continue on the next page.

^P G = Good; D = Damaged; SD = Severely Damaged

^Q Misc. = Miscellaneous; Surf. = Surfacing; TSI = Thermal System Insulation

^R NAD – No Asbestos Detected

POLARIZED LIGHT MICROSCOPY (PLM) ANALYSIS DATA

Cypress Elementary School
351 West Cypress Street
Covina, California 91723

Homogeneous Material #	Material Description	Material Location	Estimated Quantity	Condition ^s	Type ^T	Friable	Percent Damaged	Sample Number	Sample Location	Analytical Results
Building C - Rooms 1 (C101) and 2 (C108)										
16	4" Air-cell pipe insulation	Attic above Restrooms	50 Square Feet	G	TSI	Yes	0	2304200075MB-52	Center-west	20% Chrysotile
								2304200075MB-53	Center	20% Chrysotile
								2304200075MB-54	Center-east	20% Chrysotile
17	4" Pipe elbow insulation	Attic above Restrooms	10 Total	G	TSI	Yes	0	2304200075MB-55	Center-west	25% Chrysotile
								2304200075MB-56	Center	25% Chrysotile
								2304200075MB-57	Center-east	25% Chrysotile
18	Plaster	Ceilings throughout and select walls	1,500 Square Feet	G	Surf.	No	0	2304210075MB-58	Room 2 (C101), north wall	NAD ^U
								2304210075MB-59	Room 2 (C101), southwest wall	NAD
								2304210075MB-60	Toilet (C105), south wall	NAD
								2304210075MB-61	Teachers' workroom (C107), ceiling, north	NAD
								2304210075MB-62	Room 1 (C108), southeast wall	NAD

Note: This table must be used in conjunction with the entire report. This document is not to be used for contract bidding and is intended to be used to identify asbestos-containing materials and their locations only.

Sampling results continue on the next page.

^s G = Good; D = Damaged; SD = Severely Damaged

^T Misc. = Miscellaneous; Surf. = Surfacing; TSI = Thermal System Insulation

^U NAD – No Asbestos Detected

POLARIZED LIGHT MICROSCOPY (PLM) ANALYSIS DATA

Cypress Elementary School
351 West Cypress Street
Covina, California 91723

Homogeneous Material #	Material Description	Material Location	Estimated Quantity	Condition ^v	Type ^w	Friable	Percent Damaged	Sample Number	Sample Location	Analytical Results
Building C - Rooms 1 (C101) and 2 (C108)										
19	Drywall (no joint compound)	Ceilings of Room 1 (C101) and Room 2 (C108) (behind 12" ceiling tile)	2,000 Square Feet	G	Misc.	Yes	0	2304210075MB-63	Room 2 (C101), northeast	NAD ^x
								2304210075MB-64	Room 2 (C101), southwest	NAD
								2304210075MB-65	Room 1 (C108), northeast	NAD
20	12"x12" Ceiling tile with mastic	Room 1 (C101) and Room 2 (C108)	2,000 Square Feet	G	Misc.	Yes	0	2304210075MB-66	Room 2 (C101), northeast	Layers 1 & 2: NAD
								2304210075MB-67	Room 2 (C101), southwest	Layers 1 & 2: NAD
								2304210075MB-68	Room 1 (C108), northeast	Layers 1 & 2: NAD
21	Roofing material (core sample)	Throughout rooftop	4,400 Square Feet	G	Misc.	No	0	2304210075MB-69	Northeast	Shingle: NAD Roofing: NAD Felt: 20% Chrysotile
								2304210075MB-70	Center	Shingle: NAD Roofing: NAD Felt: 20% Chrysotile
								2304210075MB-71	Southwest	NAD

Note: This table must be used in conjunction with the entire report. This document is not to be used for contract bidding and is intended to be used to identify asbestos-containing materials and their locations only.

^v G = Good; D = Damaged; SD = Severely Damaged

^w Misc. = Miscellaneous; Surf. = Surfacing; TSI = Thermal System Insulation

^x NAD – No Asbestos Detected

POLARIZED LIGHT MICROSCOPY (PLM) ANALYSIS DATA

Cypress Elementary School
351 West Cypress Street
Covina, California 91723

Homogeneous Material #	Material Description	Material Location	Estimated Quantity	Condition ^Y	Type ^Z	Friable	Percent Damaged	Sample Number	Sample Location	Analytical Results
Building C - Rooms 1 (C101) and 2 (C108)										
22	Roof mastic	Throughout rooftop at roof jacks and flashing	10 Square Feet	G	Misc.	No	0	2304210075MB-72	Northeast flashing	3% Chrysotile
								2304210075MB-73	Center roof jack	3% Chrysotile
								2304210075MB-74	Southwest flashing	3% Chrysotile
23	Texture coat	Exterior at wood window panels, concrete wall, conduits and metal conduit covers associated with condenser units	50 Square Feet	G	Surf.	No	0	2304210075MB-75	Northwest	NAD ^{AA}
								2304210075MB-76	Northwest	NAD
								2304210075MB-77	Southwest	NAD
24	Conduit pad	Exterior, west pads at condenser units	50 Square Feet	G	Misc.	No	0	2304210075MB-78	Northwest	NAD
								2304210075MB-79	Northwest	NAD
								2304210075MB-80	Southwest	NAD

Note: This table must be used in conjunction with the entire report. This document is not to be used for contract bidding and is intended to be used to identify asbestos-containing materials and their locations only.

Sampling results continue on the next page.

^Y G = Good; D = Damaged; SD = Severely Damaged

^Z Misc. = Miscellaneous; Surf. = Surfacing; TSI = Thermal System Insulation

^{AA} NAD – No Asbestos Detected

POLARIZED LIGHT MICROSCOPY (PLM) ANALYSIS DATA

Cypress Elementary School
351 West Cypress Street
Covina, California 91723

Homogeneous Material #	Material Description	Material Location	Estimated Quantity	Condition ^{BB}	Type ^{CC}	Friable	Percent Damaged	Sample Number	Sample Location	Analytical Results
Building F - Rooms 27 thru 29 (F401 thru F403)^{DD}										
25	Plaster	Throughout walls of Room 27 (F403), Room 28 (F402) and Room 29 (F401)	2,000 Square Feet	G	Surf.	No	0	2304240075MB-81	Room 29 (F401), northeast	NAD ^{EE}
								2304240075MB-82	Room 29 (F401), southwest	NAD
								2304240075MB-83	Room 28 (F402), northeast	NAD
								2304240075MB-84	Room 28 (F402), southwest	NAD
								2304240075MB-85	Room 27 (F403), southeast	NAD
26	Drywall (no joint compound)	Ceilings of Room 27 (F403), Room 28 (F402) and Room 29 (F401) (behind 1' ceiling tile)	2,900 Square Feet	G	Misc.	Yes	0	2304240075MB-86	Room 29 (F401), northeast	NAD
								2304240075MB-87	Room 28 (F402), northeast	NAD
								2304240075MB-88	Room 27 (F403), southwest	NAD

Note: This table must be used in conjunction with the entire report. This document is not to be used for contract bidding and is intended to be used to identify asbestos-containing materials and their locations only.

Sampling results continue on the next page.

^{BB} G = Good; D = Damaged; SD = Severely Damaged
^{CC} Misc. = Miscellaneous; Surf. = Surfacing; TSI = Thermal System Insulation
^{DD} NOTE: 1) Fiberglass insulation throughout attic.
^{EE} NAD – No Asbestos Detected

POLARIZED LIGHT MICROSCOPY (PLM) ANALYSIS DATA

Cypress Elementary School
351 West Cypress Street
Covina, California 91723

Homogeneous Material #	Material Description	Material Location	Estimated Quantity	Condition ^{FF}	Type ^{GG}	Friable	Percent Damaged	Sample Number	Sample Location	Analytical Results
Building F - Rooms 27 thru 29 (F401 thru F403)										
27	1'x1' Ceiling tile with mastic	Room 27 (F403), Room 28 (F402) and Room 29 (F401)	2,900 Square Feet	G	Misc.	Yes	0	2304240075MB-89	Room 29 (F401), northeast	Layers 1 & 2: NAD ^{HH}
								2304240075MB-90	Room 28 (F402), northeast	Layers 1 & 2: NAD
								2304240075MB-91	Room 27 (F403), southwest	Layers 1 & 2: NAD
28	Air-cell pipe insulation debris	Debris scattered in various locations throughout attic	12 Square Feet	D	TSI	Yes	100	2304240075MB-92	South	35% Chrysotile
								2304240075MB-93	Center	40% Chrysotile
								2304240075MB-94	North	40% Chrysotile
29	Roofing material (core sample)	Throughout rooftop	4,500 Square Feet	G	Misc.	No	0	2304240075MB-95	Northeast	Roofing: NAD Felt: 20% Chrysotile
								2304240075MB-96	West	Roofing: NAD Felt: 20% Chrysotile
								2304240075MB-97	Southeast	Roofing: NAD Felt: 20% Chrysotile

Note: This table must be used in conjunction with the entire report. This document is not to be used for contract bidding and is intended to be used to identify asbestos-containing materials and their locations only.

Sampling results continue on the next page.

^{FF} G = Good; D = Damaged; SD = Severely Damaged

^{GG} Misc. = Miscellaneous; Surf. = Surfacing; TSI = Thermal System Insulation

^{HH} NAD – No Asbestos Detected

POLARIZED LIGHT MICROSCOPY (PLM) ANALYSIS DATA

Cypress Elementary School
351 West Cypress Street
Covina, California 91723

Homogeneous Material #	Material Description	Material Location	Estimated Quantity	Condition ^{II}	Type ^{JJ}	Friable	Percent Damaged	Sample Number	Sample Location	Analytical Results
Building F - Rooms 27 thru 29 (F401 thru F403)										
30	Roof mastic	Throughout rooftop at roof jacks and flashing	14 Square Feet	G	Misc.	No	0	2304240075MB-98	Northwest flashing	2% Chrysotile
								2304240075MB-99	Southeast roof jack	2% Chrysotile
								2304240075MB-100	Southeast flashing	3% Chrysotile
31	Texture coat	Exterior at wood window panels, HVAC raceway, concrete wall, conduits and metal conduit covers associated with condenser units	75 Square Feet	G	Surf.	No	0	2304240075MB-101	Northwest window panel	NAD ^{KK}
								2304240075MB-102	West conduit	NAD
								2304240075MB-103	Southwest raceway	NAD
32	Conduit pad	Exterior, west pads at condenser units	75 Square Feet	G	Misc.	No	0	2304240075MB-104	Northwest	NAD
								2304240075MB-105	West	NAD
								2304240075MB-106	Southwest	NAD
33	Asphalt paving	Exterior, west	1,000 Square Feet	G	Misc.	No	0	2304240075MB-107	Northwest	NAD
								2304240075MB-108	West	NAD
								2304240075MB-109	Southwest	NAD

Note: This table must be used in conjunction with the entire report. This document is not to be used for contract bidding and is intended to be used to identify asbestos-containing materials and their locations only.

Sampling results continue on the next page.

^{II} G = Good; D = Damaged; SD = Severely Damaged

^{JJ} Misc. = Miscellaneous; Surf. = Surfacing; TSI = Thermal System Insulation

^{KK} NAD – No Asbestos Detected

POLARIZED LIGHT MICROSCOPY (PLM) ANALYSIS DATA

Cypress Elementary School
351 West Cypress Street
Covina, California 91723

Homogeneous Material #	Material Description	Material Location	Estimated Quantity	Condition ^{LL}	Type ^{MM}	Friable	Percent Damaged	Sample Number	Sample Location	Analytical Results
Building G - Rooms 30 thru 32 (G501 thru G503)^{NN}										
34	4" Air-cell pipe insulation	Attic pipe insulation Debris scattered in various locations throughout attic	150 Square Feet	D	TSI	Yes	100	2304240075MB-110	Northeast, debris	30% Chrysotile
			15 Square Feet of Debris					2304240075MB-111	Center, debris	30% Chrysotile
								2304240075MB-112	South, pipe	30% Chrysotile
35	Plaster	Select walls of Room 30 (G503), Room 31 (G502) and Room 32 (G501)	2,000 Square Feet	G	Surf.	No	0	2304240075MB-113	Room 32 (G501), northeast	NAD ^{OO}
								2304240075MB-114	Room 32 (G501), south	NAD
								2304240075MB-115	Room 31 (G502), northeast	NAD
								2304240075MB-116	Room 31 (G502), southwest	NAD
								2304240075MB-117	Room 30 (G503), northeast	NAD

Note: This table must be used in conjunction with the entire report. This document is not to be used for contract bidding and is intended to be used to identify asbestos-containing materials and their locations only.

Sampling results continue on the next page.

^{LL} G = Good; D = Damaged; SD = Severely Damaged

^{MM} Misc. = Miscellaneous; Surf. = Surfacing; TSI = Thermal System Insulation

^{NN} NOTE: 1) Fiberglass insulation throughout attic.

^{OO} NAD – No Asbestos Detected

POLARIZED LIGHT MICROSCOPY (PLM) ANALYSIS DATA

Cypress Elementary School
351 West Cypress Street
Covina, California 91723

Homogeneous Material #	Material Description	Material Location	Estimated Quantity	Condition ^{PP}	Type ^{QQ}	Friable	Percent Damaged	Sample Number	Sample Location	Analytical Results
Building G - Rooms 30 thru 32 (G501 thru G503)										
36	Drywall (no joint compound)	Ceiling of Room 30 (G503), Room 31 (G502) and Room 32 (G501) (behind 1' ceiling tile)	2,900 Square Feet	G	Misc.	Yes	0	2304240075MB-118	Room 32 (G501), south	NAD ^{RR}
								2304240075MB-119	Room 31 (G502), southwest	NAD
								2304240075MB-120	Room 30 (G503), northeast	NAD
37	1'x1' Ceiling tile with mastic	Room 30 (G503), Room 31 (G502) and Room 32 (G501)	2,900 Square Feet	G	Misc.	Yes	0	2304240075MB-121	Room 32 (G501), south	Layers 1 & 2: NAD
								2304240075MB-122	Room 31 (G502), southwest	Layers 1 & 2: NAD
								2304240075MB-123	Room 30 (G503), northeast	Layers 1 & 2: NAD

Note: This table must be used in conjunction with the entire report. This document is not to be used for contract bidding and is intended to be used to identify asbestos-containing materials and their locations only.

Sampling results continue on the next page.

PP G = Good; D = Damaged; SD = Severely Damaged

QQ Misc. = Miscellaneous; Surf. = Surfacing; TSI = Thermal System Insulation

RR NAD – No Asbestos Detected

POLARIZED LIGHT MICROSCOPY (PLM) ANALYSIS DATA

Cypress Elementary School
351 West Cypress Street
Covina, California 91723

Homogeneous Material #	Material Description	Material Location	Estimated Quantity	Condition ^{ss}	Type ^{TT}	Friable	Percent Damaged	Sample Number	Sample Location	Analytical Results
Building G - Rooms 30 thru 32 (G501 thru G503)										
38	Roofing material (core sample)	Throughout rooftop	4,500 Square Feet	G	Misc.	No	0	2304240075MB-124	Northeast	Roofing: NAD ^{UU} Felt: 20% Chrysotile
								2304240075MB-125	West	Roofing: NAD Felt: 20% Chrysotile
								2304240075MB-126	Southeast	Roofing: NAD Felt: 30% Chrysotile
39	Roof mastic	Throughout rooftop at roof jacks and flashing	14 Square Feet	G	Misc.	No	0	2304240075MB-127	Northwest flashing	2% Chrysotile
								2304240075MB-128	East roof jack	2% Chrysotile
								2304240075MB-129	Southeast flashing	2% Chrysotile

Note: This table must be used in conjunction with the entire report. This document is not to be used for contract bidding and is intended to be used to identify asbestos-containing materials and their locations only.

Sampling results continue on the next page.

^{ss} G = Good; D = Damaged; SD = Severely Damaged
^{TT} Misc. = Miscellaneous; Surf. = Surfacing; TSI = Thermal System Insulation
^{UU} NAD – No Asbestos Detected

POLARIZED LIGHT MICROSCOPY (PLM) ANALYSIS DATA

Cypress Elementary School
351 West Cypress Street
Covina, California 91723

Homogeneous Material #	Material Description	Material Location	Estimated Quantity	Condition ^w	Type ^{ww}	Friable	Percent Damaged	Sample Number	Sample Location	Analytical Results
Building G - Rooms 30 thru 32 (G501 thru G503)										
40	Texture coat	Exterior at wood window panels, HVAC raceway, concrete wall, conduits and metal conduit covers associated with condenser units	75 Square Feet	G	Surf.	No	0	2304240075MB-130	Northwest	NAD ^{xx}
								2304240075MB-131	West	NAD
								2304240075MB-132	Southwest	NAD
41	Concrete pad	Exterior, west pads at condenser units	75 Square Feet	G	Misc.	No	0	2304240075MB-133	Northwest	NAD
								2304240075MB-134	West	NAD
								2304240075MB-135	Southwest	NAD

Note: This table must be used in conjunction with the entire report. This document is not to be used for contract bidding and is intended to be used to identify asbestos-containing materials and their locations only.

Sampling results continue on the next page

^w G = Good; D = Damaged; SD = Severely Damaged

^{ww} Misc. = Miscellaneous; Surf. = Surfacing; TSI = Thermal System Insulation

^{xx} NAD – No Asbestos Detected

POLARIZED LIGHT MICROSCOPY (PLM) ANALYSIS DATA

Cypress Elementary School
351 West Cypress Street
Covina, California 91723

Homogeneous Material #	Material Description	Material Location	Estimated Quantity	Condition ^{yy}	Type ^{zz}	Friable	Percent Damaged	Sample Number	Sample Location	Analytical Results
Building H - Rooms 4 thru 7 (H601 thru H604)^{AAA}										
42	4" Air-cell pipe insulation	Attic pipe insulation Debris scattered in various locations throughout attic	150 Square Feet	D	TSI	Yes	100%	2304250075MB-136	Northeast, debris	30% Chrysotile
			30 Square Feet of Debris					2304250075MB-137	Center, debris	30% Chrysotile
								2304250075MB-138	Southwest, pipe	30% Chrysotile
43	Plaster	Throughout walls of Room 4 (H604), Room 5 (H603), Room 6 (H602) and Room 7 (H601)	2,900 Square Feet	G	Surf.	No	0	2304250075MB-139	Room 7 (H601), northeast	NAD ^{BBB}
								2304250075MB-140	Room 6 (H602), north	NAD
								2304250075MB-141	Room 6 (H602), southeast	NAD
								2304250075MB-142	Room 5 (H603), north	NAD
								2304250075MB-143	Room 4 (H604), southeast	NAD

Note: This table must be used in conjunction with the entire report. This document is not to be used for contract bidding and is intended to be used to identify asbestos-containing materials and their locations only.

Sampling results continue on the next page

^{yy} G = Good; D = Damaged; SD = Severely Damaged
^{zz} Misc. = Miscellaneous; Surf. = Surfacing; TSI = Thermal System Insulation
^{AAA} NOTE: 1) Fiberglass insulation throughout attic.
^{BBB} NAD – No Asbestos Detected

POLARIZED LIGHT MICROSCOPY (PLM) ANALYSIS DATA

Cypress Elementary School
351 West Cypress Street
Covina, California 91723

Homogeneous Material #	Material Description	Material Location	Estimated Quantity	Condition ^{ccc}	Type ^{ddd}	Friable	Percent Damaged	Sample Number	Sample Location	Analytical Results
Building H - Rooms 4 thru 7 (H601 thru H604)										
44	Drywall (no joint compound)	Ceilings of Room 4 (H604), Room 5 (H603), Room 6 (H602) and Room 7 (H601) (behind 12" ceiling tile)	3,900 Square Feet	G	Misc.	Yes	0	2304250075MB-144	Room 7 (H601), northeast	NAD ^{eee}
								2304250075MB-145	Room 6 (H602), southeast	NAD
								2304250075MB-146	Room 4 (H604), southeast	NAD
45	12'x12' Ceiling tile with mastic	Room 4 (H604), Room 5 (H603), Room 6 (H602) and Room 7 (H601)	3,900 Square Feet	G	Misc.	Yes	0	2304250075MB-147	Room 7 (H601), northeast	Layers 1 & 2: NAD
								2304250075MB-148	Room 6 (H602), southeast	Layers 1 & 2: NAD
								2304250075MB-149	Room 4 (H604), southeast	Layers 1 & 2: NAD

Note: This table must be used in conjunction with the entire report. This document is not to be used for contract bidding and is intended to be used to identify asbestos-containing materials and their locations only.

Sampling results continue on the next page.

^{ccc} G = Good; D = Damaged; SD = Severely Damaged

^{ddd} Misc. = Miscellaneous; Surf. = Surfacing; TSI = Thermal System Insulation

^{eee} NAD – No Asbestos Detected

POLARIZED LIGHT MICROSCOPY (PLM) ANALYSIS DATA

Cypress Elementary School
351 West Cypress Street
Covina, California 91723

Homogeneous Material #	Material Description	Material Location	Estimated Quantity	Condition FFF	Type ^{GGG}	Friable	Percent Damaged	Sample Number	Sample Location	Analytical Results
Building H - Rooms 4 thru 7 (H601 thru H604)										
46	Roofing material (core sample)	Throughout rooftop	6,000 Square Feet	G	Misc.	No	0	2304250075MB-150	Northeast	Roofing: NAD ^{HHH}
										Felt: 15% Chrysotile
								2304250075MB-151	West	Roofing: NAD
										Felt: 15% Chrysotile
								2304250075MB-152	Southeast	Roofing: NAD
										Felt: 15% Chrysotile
47	Roof mastic	Throughout rooftop at roof jacks and flashing	16 Square Feet	G	Misc.	No	0	2304250075MB-153	Northwest flashing	2% Chrysotile
								2304250075MB-154	Southeast roof jack	2% Chrysotile
								2304250075MB-155	Southeast flashing	2% Chrysotile

Note: This table must be used in conjunction with the entire report. This document is not to be used for contract bidding and is intended to be used to identify asbestos-containing materials and their locations only.

Sampling results continue on the next page.

FFF G = Good; D = Damaged; SD = Severely Damaged

GGG Misc. = Miscellaneous; Surf. = Surfacing; TSI = Thermal System Insulation

HHH NAD – No Asbestos Detected

POLARIZED LIGHT MICROSCOPY (PLM) ANALYSIS DATA

Cypress Elementary School
351 West Cypress Street
Covina, California 91723

Homogeneous Material #	Material Description	Material Location	Estimated Quantity	Condition ^{III}	Type ^{JJJ}	Friable	Percent Damaged	Sample Number	Sample Location	Analytical Results
Building H - Rooms 4 thru 7 (H601 thru H604)										
48	Texture coat	Exterior at wood window panels, HVAC raceway, concrete wall, conduits and metal conduit covers associated with condenser units	100 Square Feet	G	Surf.	No	0	2304250075MB-156	Northwest	NAD ^{KKK}
								2304250075MB-157	West	NAD
								2304250075MB-158	Southwest	NAD
49	Concrete pad	Exterior, west pads at condenser units	100 Square Feet	G	Misc.	No	0	2304250075MB-159	Northwest	NAD
								2304250075MB-160	West	NAD
								2304250075MB-161	Southwest	NAD

Note: This table must be used in conjunction with the entire report. This document is not to be used for contract bidding and is intended to be used to identify asbestos-containing materials and their locations only.

Sampling results continue on the next page

^{III} G = Good; D = Damaged; SD = Severely Damaged

^{JJJ} Misc. = Miscellaneous; Surf. = Surfacing; TSI = Thermal System Insulation

^{KKK} NAD – No Asbestos Detected

POLARIZED LIGHT MICROSCOPY (PLM) ANALYSIS DATA

Cypress Elementary School
351 West Cypress Street
Covina, California 91723

Homogeneous Material #	Material Description	Material Location	Estimated Quantity	Condition ^{LLL}	Type ^{MMM}	Friable	Percent Damaged	Sample Number	Sample Location	Analytical Results
Building I - Rooms 8 thru 11 (I701 thru I704)^{NNN}										
50	4" Air-cell pipe insulation	Attic pipe insulation Debris scattered in various locations throughout attic	150 Square Feet	D	TSI	Yes	100%	2304250075MB-162	Northeast, debris	30% Chrysotile
			30 Square Feet of Debris					2304250075MB-163	Center, debris	30% Chrysotile
								2304250075MB-164	South, pipe	30% Chrysotile
51	Plaster	Select walls of Room 8 (I704), Room 9 (I703), Room 10 (I702) and Room 11 (I701)	2,900 Square Feet	G	Surf.	No	0	2304250075MB-165	Room 11 (I701), northeast	NAD ^{OOO}
								2304250075MB-166	Room 11 (I701), south	NAD
								2304250075MB-167	Room 10 (I702), north	NAD
								2304250075MB-168	Room 9 (I703), northeast	NAD
								2304250075MB-169	Room 8 (I704), southeast	NAD

Note: This table must be used in conjunction with the entire report. This document is not to be used for contract bidding and is intended to be used to identify asbestos-containing materials and their locations only.

Sampling results continue on the next page

^{LLL} G = Good; D = Damaged; SD = Severely Damaged
^{MMM} Misc. = Miscellaneous; Surf. = Surfacing; TSI = Thermal System Insulation
^{NNN} NOTE: 1) Fiberglass insulation throughout attic.
^{OOO} NAD – No Asbestos Detected

POLARIZED LIGHT MICROSCOPY (PLM) ANALYSIS DATA

Cypress Elementary School
351 West Cypress Street
Covina, California 91723

Homogeneous Material #	Material Description	Material Location	Estimated Quantity	Condition ^{PPP}	Type ^{QQQ}	Friable	Percent Damaged	Sample Number	Sample Location	Analytical Results
Building I - Rooms 8 thru 11 (I701 thru I704)										
52	Drywall (no joint compound)	Ceiling of Room 8 (I704), Room 9 (I703), Room 10 (I702) and Room 11 (I701) (behind 12" ceiling tile)	3,900 Square Feet	G	Misc.	Yes	0	2304250075MB-170	Room 11 (I701), northeast	NAD ^{RRR}
								2304250075MB-171	Room 10 (I702), north	NAD
								2304250075MB-172	Room 8 (I704), southeast	NAD
53	12"x12" Ceiling tile with mastic	Throughout Room 8 (I704), Room 9 (I703), Room 10 (I702) and Room 11 (I701)	3,900 Square Feet	G	Misc.	Yes	0	2304250075MB-173	Room 11 (I701), northeast	Layers 1 & 2: NAD
								2304250075MB-174	Room 10 (I702), north	Layers 1 & 2: NAD
								2304250075MB-175	Room 8 (I704), southeast	Layers 1 & 2: NAD

Note: This table must be used in conjunction with the entire report. This document is not to be used for contract bidding and is intended to be used to identify asbestos-containing materials and their locations only.

Sampling results continue on the next page.

PPP G = Good; D = Damaged; SD = Severely Damaged
 QQQ Misc. = Miscellaneous; Surf. = Surfacing; TSI = Thermal System Insulation
 RRR NAD – No Asbestos Detected

POLARIZED LIGHT MICROSCOPY (PLM) ANALYSIS DATA

Cypress Elementary School
351 West Cypress Street
Covina, California 91723

Homogeneous Material #	Material Description	Material Location	Estimated Quantity	Condition ^{sss}	Type ^{TTT}	Friable	Percent Damaged	Sample Number	Sample Location	Analytical Results
Building I - Rooms 8 thru 11 (I701 thru I704)										
54	Roofing material (core sample)	Throughout rooftop	6,000 Square Feet	G	Misc.	No	0	2304250075MB-176	Northwest	Roofing: NAD ^{UUU}
										Felt: 30% Chrysotile
								2304250075MB-177	South	Roofing: 2% Chrysotile
										Felt: 30% Chrysotile
								2304250075MB-178	Northeast	Roofing: NAD
										Felt: 30% Chrysotile
55	Roof mastic	Throughout rooftop at roof jacks and flashing	16 Square Feet	G	Misc.	No	0	2304250075MB-179	Southwest flashing	2% Chrysotile
								2304250075MB-180	Northeast roof jack	2% Chrysotile
								2304250075MB-181	Northeast flashing	NAD

Note: This table must be used in conjunction with the entire report. This document is not to be used for contract bidding and is intended to be used to identify asbestos-containing materials and their locations only.

Sampling results continue on the next page.

^{sss} G = Good; D = Damaged; SD = Severely Damaged

^{TTT} Misc. = Miscellaneous; Surf. = Surfacing; TSI = Thermal System Insulation

^{UUU} NAD – No Asbestos Detected

POLARIZED LIGHT MICROSCOPY (PLM) ANALYSIS DATA

Cypress Elementary School
351 West Cypress Street
Covina, California 91723

Homogeneous Material #	Material Description	Material Location	Estimated Quantity	Condition ^{vv}	Type ^{www}	Friable	Percent Damaged	Sample Number	Sample Location	Analytical Results
Building I - Rooms 8 thru 11 (I701 thru I704)										
56	Texture coat	Exterior wood panels, concrete wall, wood window panel, conduits and metal conduit covers associated with condenser units	100 Square Feet	G	Surf.	No	0	2304250075MB-182	Northwest	NAD ^{xxx}
								2304250075MB-183	West	NAD
								2304250075MB-184	Southeast	NAD
57	Concrete pad	Exterior, west pads at condenser units	100 Square Feet	G	Misc.	No	0	2304250075MB-185	Northwest	NAD
								2304250075MB-186	West	NAD
								2304250075MB-187	Southwest	NAD

Note: This table must be used in conjunction with the entire report. This document is not to be used for contract bidding and is intended to be used to identify asbestos-containing materials and their locations only.

Sampling results continue on the next page

^{vv} G = Good; D = Damaged; SD = Severely Damaged
^{www} Misc. = Miscellaneous; Surf. = Surfacing; TSI = Thermal System Insulation
^{xxx} NAD – No Asbestos Detected

POLARIZED LIGHT MICROSCOPY (PLM) ANALYSIS DATA

Cypress Elementary School
351 West Cypress Street
Covina, California 91723

Homogeneous Material #	Material Description	Material Location	Estimated Quantity	Condition YYY	Type ^{ZZZ}	Friable	Percent Damaged	Sample Number	Sample Location	Analytical Results
Building J - Rooms 12 thru 15 (J801 thru J804)^{AAAA}										
58	4" Air-cell pipe insulation	Attic pipe insulation Debris scattered in various locations throughout attic	150 Square Feet	D	TSI	Yes	100%	2304250075MB-188	Northeast, debris	30% Chrysotile
			30 Square Feet of Debris					2304250075MB-189	Center, debris	30% Chrysotile
								2304250075MB-190	Southwest, pipe	30% Chrysotile
59	Plaster	Select walls of Room 12 (J804), Room 13 (J803), Room 14 (J802) and Room 15 (J801)	2,900 Square Feet	G	Surf.	No	0	2304250075MB-191	Room 15 (J801), northwest	NAD ^{BBBB}
								2304250075MB-192	Room 15 (J801), south	NAD
								2304250075MB-193	Room 14 (J802), south	NAD
								2304250075MB-194	Room 13 (J803), north	NAD
								2304250075MB-195	Room 12 (J804), southwest	NAD

Note: This table must be used in conjunction with the entire report. This document is not to be used for contract bidding and is intended to be used to identify asbestos-containing materials and their locations only.

Sampling results continue on the next page

YYY G = Good; D = Damaged; SD = Severely Damaged
ZZZ Misc. = Miscellaneous; Surf. = Surfacing; TSI = Thermal System Insulation
AAAA NOTE: 1) Fiberglass insulation throughout attic.
BBBB NAD – No Asbestos Detected

POLARIZED LIGHT MICROSCOPY (PLM) ANALYSIS DATA

Cypress Elementary School
351 West Cypress Street
Covina, California 91723

Homogeneous Material #	Material Description	Material Location	Estimated Quantity	Condition CCCC	Type ^{DDDD}	Friable	Percent Damaged	Sample Number	Sample Location	Analytical Results
Building J - Rooms 12 thru 15 (J801 thru J804)										
60	Drywall (no joint compound)	Ceilings of Room 12 (J804), Room 13 (J803), Room 14 (J802) and Room 15 (J801) (behind 12" ceiling tile)	3,900 Square Feet	G	Misc.	Yes	0	2304250075MB-196	Room 15 (J801), northeast	NAD ^{EEEE}
								2304250075MB-197	Room 14 (J802), southeast	NAD
								2304250075MB-198	Room 12 (J804), northeast	NAD
61	12"x12" Ceiling tile with mastic	Room 12 (J804), Room 13 (J803), Room 14 (J802) and Room 15 (J801)	3,900 Square Feet	G	Misc.	Yes	0	2304250075MB-199	Room 15 (J801), northeast	Layers 1 & 2: NAD
								2304250075MB-200	Room 14 (J802), southeast	Layers 1 & 2: NAD
								2304250075MB-201	Room 12 (J804), northeast	Layers 1 & 2: NAD

Note: This table must be used in conjunction with the entire report. This document is not to be used for contract bidding and is intended to be used to identify asbestos-containing materials and their locations only.

Sampling results continue on the next page

CCCC G = Good; D = Damaged; SD = Severely Damaged

DDDD Misc. = Miscellaneous; Surf. = Surfacing; TSI = Thermal System Insulation

EEEE NAD – No Asbestos Detected

POLARIZED LIGHT MICROSCOPY (PLM) ANALYSIS DATA

Cypress Elementary School
351 West Cypress Street
Covina, California 91723

Homogeneous Material #	Material Description	Material Location	Estimated Quantity	Condition FFFF	Type ^{GGGG}	Friable	Percent Damaged	Sample Number	Sample Location	Analytical Results
Building J - Rooms 12 thru 15 (J801 thru J804)										
62	Roofing material (core sample)	Throughout rooftop	6,000 Square Feet	G	Misc.	No	0	2304250075MB-202	Northwest	Roofing: NAD ^{HHHH}
										Felt: 15% Chrysotile
								2304250075MB-203	South	Roofing: NAD
										Felt: 15% Chrysotile
								2304250075MB-204	Northeast	Roofing: NAD
										Felt: 15% Chrysotile
63	Roof mastic	Throughout rooftop at roof jacks and flashing	16 Square Feet	G	Misc.	No	0	2304250075MB-205	Southwest flashing	2% Chrysotile
								2304250075MB-206	Northeast roof jack	2% Chrysotile
								2304250075MB-207	Northeast flashing	NAD

Note: This table must be used in conjunction with the entire report. This document is not to be used for contract bidding and is intended to be used to identify asbestos-containing materials and their locations only.

Sampling results continue on the next page

FFFF G = Good; D = Damaged; SD = Severely Damaged
GGGG Misc. = Miscellaneous; Surf. = Surfacing; TSI = Thermal System Insulation
HHHH NAD – No Asbestos Detected

POLARIZED LIGHT MICROSCOPY (PLM) ANALYSIS DATA

Cypress Elementary School
351 West Cypress Street
Covina, California 91723

Homogeneous Material #	Material Description	Material Location	Estimated Quantity	Condition ^{III}	Type ^{JJJ}	Friable	Percent Damaged	Sample Number	Sample Location	Analytical Results
Building J - Rooms 12 thru 15 (J801 thru J804)										
64	Roof conduit pads	Rooftop at conduits	10 Square Feet	G	Misc.	No	0	2304250075MB-208	Northwest	NAD ^{KKKK}
								2304250075MB-209	North	NAD
								2304250075MB-210	Northeast	NAD
65	Texture coat	Exterior wood panels, concrete wall, wood window panel, conduits and metal conduit covers associated with condenser units	100 Square Feet	G	Surf.	No	0	2304250075MB-211	Southwest	NAD
								2304250075MB-212	South	NAD
								2304250075MB-213	Southeast	NAD
66	Concrete pad	Exterior, west pads at condenser units	100 Square Feet	G	Misc.	No	0	2304250075MB-214	Southwest	NAD
								2304250075MB-215	South	NAD
								2304250075MB-216	Southeast	NAD

Note: This table must be used in conjunction with the entire report. This document is not to be used for contract bidding and is intended to be used to identify asbestos-containing materials and their locations only

The remainder of this page is blank.

^{III} G = Good; D = Damaged; SD = Severely Damaged

^{JJJ} Misc. = Miscellaneous; Surf. = Surfacing; TSI = Thermal System Insulation

^{KKKK} NAD – No Asbestos Detected

HAZARDOUS MATERIALS Cypress Elementary School 351 West Cypress Street Covina, California 91723			
Homogeneous Material #	Material Description	Material Location	Estimate Quantity
Building C - Rooms 1 (C108) and 2 (C101)			
67	Freon-containing condenser unit (assumed)	West side	2 Total
Building F - Rooms 27 thru 29 (F401 thru F403)			
68	Freon-containing condenser unit (assumed)	West side	3 Total
Building G - Rooms 30 thru 32 (G502 thru G503)			
69	Freon-containing condenser unit (assumed)	West side	3 Total
Building H - Rooms 4 thru 7 (H601 thru H604)			
70	Freon-containing condenser unit (assumed)	West side	4 Total
Building I - Rooms 8 thru 11 (I701 thru I704)			
71	Freon-containing condenser unit (assumed)	West side	4 Total
Building J - Rooms 12 thru 15 (J801 thru J804)			
72	Freon-containing condenser unit (assumed)	South side	4 Total

Note: This table must be used in conjunction with the entire report. This document is not to be used for contract bidding and is intended to be used to identify asbestos-containing materials and their locations only.

IV. FINDINGS

EE conducted a limited asbestos inspection of Buildings B (MPR), C, F, G, H, I and J at Cypress Elementary School located at 351 West Cypress Street, Covina, California.

Seventy-two (72) homogeneous material groups were identified during the visual inspection. Two hundred sixteen (216) samples of suspect asbestos-containing materials were collected and delivered to AmeriSci of Carson, California, for analysis. The homogeneous areas and sampling results are listed on the table in Section III.

Findings continue on the next page.

The analytical data revealed that the following materials contain asbestos or other hazardous material:

Building B (MPR):

- Roofing material: The underlying felt of the roofing material located throughout the rooftop above the attic mechanical room tested positive for asbestos content.
- Roof mastic: The roof mastic located throughout the rooftop above the attic mechanical room at jacks and flashing tested positive for asbestos content.

Building C - Rooms 1 and 2 (C101 and C108):

- 4" Air-cell pipe insulation: The 4" air-cell pipe insulation located in the attic above the restrooms tested positive for asbestos content.
- 4" Pipe elbow insulation: The 4" pipe elbow insulation located in the attic above the restrooms tested positive for asbestos content.
- Roofing material: The underlying felt of the roofing material located throughout the rooftop tested positive for asbestos content.
- Roof mastic: The roof mastic located throughout the rooftop at jacks and flashing tested positive for asbestos content.
- Freon-containing condenser unit: The condenser units located at the exterior west side are assumed to contain Freon.

Building F - Room 27 thru 29 (F401 thru F403):

- Air-cell pipe insulation debris: The air-cell pipe insulation debris scattered in various locations throughout the attic tested positive for asbestos content.
- Roofing material: The underlying felt of the roofing material located throughout the rooftop tested positive for asbestos content.
- Roof mastic: The roof mastic located throughout the rooftop at jacks and flashing tested positive for asbestos content.
- Freon-containing condenser unit: The condenser units located at the exterior west side are assumed to contain Freon.

Findings continue on the next page.

Building G - Room 30 thru 32 (G501 thru G503):

- 4" Air-cell pipe insulation debris: The 4" air-cell pipe insulation and debris scattered in various locations throughout the attic tested positive for asbestos content.
- Roofing material: The underlying felt of the roofing material located throughout the rooftop tested positive for asbestos content.
- Roof mastic: The roof mastic located throughout the rooftop at jacks and flashing tested positive for asbestos content.
- Freon-containing condenser unit: The condenser units located at the exterior west side are assumed to contain Freon.

Building H - Room 4 thru 7 (H601 thru H604):

- 4" Air-cell pipe insulation debris: The 4" air-cell pipe insulation and debris scattered in various locations throughout the attic tested positive for asbestos content.
- Roofing material: The underlying felt of the roofing material located throughout the rooftop tested positive for asbestos content.
- Roof mastic: The roof mastic located throughout the rooftop at jacks and flashing tested positive for asbestos content.
- Freon-containing condenser unit: The condenser units located at the exterior west side are assumed to contain Freon.

Building I - Room 8 thru 11 (I701 thru I704):

- 4" Air-cell pipe insulation debris: The 4" air-cell pipe insulation and debris scattered in various locations throughout the attic tested positive for asbestos content.
- Roofing material: The roofing material and underlying felt located throughout the rooftop tested positive for asbestos content.
- Roof mastic: The roof mastic located throughout the rooftop at jacks and flashing tested positive for asbestos content.
- Freon-containing condenser unit: The condenser units located at the exterior west side are assumed to contain Freon.

Findings continue on the next page.

Building J- Room 12 thru 15 (J801 thru J804):

- 4" Air-cell pipe insulation debris: The 4" air-cell pipe insulation and debris scattered in various locations throughout the attic tested positive for asbestos content.
- Roofing material: The underlying felt of the roofing material located throughout the rooftop tested positive for asbestos content.
- Roof mastic: The roof mastic located throughout the rooftop at jacks and flashing tested positive for asbestos content.
- Freon-containing condenser unit: The condenser units located at the exterior west side are assumed to contain Freon..

V. CONCLUSIONS/RECOMMENDATIONS

The following actions are required under South Coast Air Quality Management District's (SCAQMD) Rule 1403 to address the identified damaged asbestos-containing material:

1. Removal of the air-cell pipe insulation debris scattered in various locations throughout the attic of Building F - Room 27 thru 29 (F401 thru F403).
2. Removal of the damaged 4" air-cell pipe insulation and debris scattered in various locations throughout the attic of Building G - Room 30 thru 32 (G501 thru G503).
3. Removal of the damaged 4" air-cell pipe insulation and debris scattered in various locations throughout the attic of Building H - Room 4 thru 7 (H601 thru H604).
4. Removal of the damaged 4" air-cell pipe insulation and debris scattered in various locations throughout the attic of Building I - Room 8 thru 11 (I701 thru I704).
5. Removal of the damaged 4" air-cell pipe insulation debris and debris scattered in various locations throughout the attic of Building J - Room 12 thru 15 (J801 thru J804).
6. All work to be conducted by a California-licensed asbestos abatement contractor under the direction of a SCAQMD approved Procedure 5 work plan drafted by a Certified Asbestos Consultant.
7. Restrict access to the area, only asbestos-trained personnel to access area until all remediation work has been completed.
8. A Certified Asbestos Consultant/Certified Site Surveillance Technician should be contracted to design and monitor the project.

If you have any questions, please call Mr. Tim Galeana at 626-441-7050. We are glad we could be of service to you.

VI. DISCLAIMER/REPORT LIMITATIONS

All reports and recommendations are based on conditions and practices observed and information made available to Executive Environmental (EE) by the client and the designated sites/facilities on the days sampling was conducted. This report does not purport to set forth all hazards, nor to indicate that other hazards do not exist. No responsibility is assumed by EE for the control or correction of conditions or practices existing at the facilities, or at any other premises surveyed by EE, for and on the behalf of the client. Services provided by EE shall be governed by the standard of practice for professional services measured at the time those services are rendered.

All information contained in this report is proprietary and limited to the scope of services, parameters of the analytical methods used and the conditions present at the time of this inspection. Any references to quantities are considered estimates and are not to be construed as actual.

APPENDIX A – LABORATORY ANALYSIS REPORT



Please Reply To:

AmeriSci Los Angeles

24416 S. Main Street, Ste 308

Carson, California 90745

TEL: (310) 834-4868 • FAX: (310) 834-4772

LABORATORY ELECTRONIC TRANSMITTAL

To: Yesenia Galeana
Executive Environmental Services Corporatio

From: Lateef McIntosh

Fax #:

AmeriSci Job #: 923041436

Subject: PLM 5 day Results

Email: info@execenv.com, ygaleana@execenv.com

Client Project: 23-Z0172-0075; Buildings B, C, F, G, H, I, J (Report Amended 5/22/2023)

Date: Monday, May 22, 2023

Time: 12:08:38

Comments:

Number of Pages: _____
(including cover sheet)

NOTE: Attached report is to be considered preliminary until final review with accompanying analysis summary letter is issued.

CONFIDENTIALITY NOTICE: Unless otherwise indicated, the information contained in this communication is confidential information intended for use of the individual named above. If the reader of this communication is not the intended recipient, you are hereby notified that any dissemination, distribution or copying of this communication is prohibited. If you have received this communication in error, please immediately notify the sender by telephone and return the original message to the above address via the US Postal Service at our expense. Samples are disposed of in 60 days or unless otherwise instructed by the protocol or special instructions in writing. Thank you.

Certified Analysis Service 24 Hours A Day • 7 Days A Week Competitive Prices
visit our web site - www.amerisci.com

Boston • Los Angeles • New York • Richmond



AmeriSci Los Angeles

24416 S. Main Street, Ste 308
Carson, California 90745
TEL: (310) 834-4868 • FAX: (310) 834-4772

PLM Bulk Asbestos Report

Executive Environmental Services Corpor	Date Received 04/27/23	AmeriSci Job # 923041436
Attn: Yesenia Galeana	Date Examined 04/29/23	P.O. #
310 East Foothill Blvd.		Page 1 of 48
Suite 200	RE: 23-Z0172-0075; Buildings B, C, F, G, H, I, J (Report Amended	
Arcadia, CA 91006	5/22/2023)	

Client No. / HGA	Lab No.	Asbestos Present	Total % Asbestos
2304190075MB-1	923041436-01	No	NAD
Location: Mechanical Attic Center / Brown Cloth Vibration Dampener / Mechanical Attic On Blower Duct Work			(by CVES) by Lateef McIntosh on 04/29/23
Analyst Description: Brown, Homogeneous, Fibrous, Dampening Cloth			
Asbestos Types:			
Other Material: Cellulose 70%, Non-fibrous 30%			
2304190075MB-2	923041436-02	No	NAD
Location: Mechanical Attic Center / Brown Cloth Vibration Dampener / Mechanical Attic On Blower Duct Work			(by CVES) by Lateef McIntosh on 04/29/23
Analyst Description: Brown, Homogeneous, Non-Fibrous, Dampening Cloth			
Asbestos Types:			
Other Material: Cellulose 70%, Non-fibrous 30%			
2304190075MB-3	923041436-03	No	NAD
Location: Mechanical Attic Center / Brown Cloth Vibration Dampener / Mechanical Attic On Blower Duct Work			(by CVES) by Lateef McIntosh on 04/29/23
Analyst Description: Brown, Homogeneous, Fibrous, Dampening Cloth			
Asbestos Types:			
Other Material: Cellulose 70%, Non-fibrous 30%			
2304190075MB-4	923041436-04	No	NAD
Location: Mechanical Attic West / Black Rubberized Vibration Dampener / Mechanical Attic On Ducts Near Heater Units			(by CVES) by Lateef McIntosh on 04/29/23
Analyst Description: Silver/Black, Heterogeneous, Fibrous, Dampener			
Asbestos Types:			
Other Material: Fibrous glass 70%, Non-fibrous 30%			
2304190075MB-5	923041436-05	No	NAD
Location: Mechanical Attic West / Black Rubberized Vibration Dampener / Mechanical Attic On Ducts Near Heater Units			(by CVES) by Lateef McIntosh on 04/29/23
Analyst Description: Brown, Heterogeneous, Fibrous, Dampener			
Asbestos Types:			
Other Material: Fibrous glass 70%, Non-fibrous 30%			

PLM Bulk Asbestos Report

23-Z0172-0075; Buildings B, C, F, G, H, I, J (Report Amended
5/22/2023)

Client No. / HGA	Lab No.	Asbestos Present	Total % Asbestos
2304190075MB-6	923041436-06	No	NAD
Location: Mechanical Attic East / Black Rubberized Vibration Dampener / Mechanical Attic On Ducts Near Heater Units			(by CVES) by Lateef McIntosh on 04/29/23
Analyst Description: Silver/Black, Homogeneous, Fibrous, Dampener			
Asbestos Types:			
Other Material: Fibrous glass 70%, Non-fibrous 30%			
2304190075MB-7	923041436-07	No	NAD
Location: Mechanical Attic Center / Duct Hatch Gaster w/Mastic / Mechanical Attic On Duct Work Access Hatches			(by CVES) by Lateef McIntosh on 04/29/23
Analyst Description: Dark Brown, Heterogeneous, Fibrous, Gasket			
Asbestos Types:			
Other Material: Synthetic fibers 80%, Non-fibrous 20%			
Comment: Mastic not found			
2304190075MB-8	923041436-08	No	NAD
Location: Mechanical Attic North West / Duct Hatch Gaster w/Mastic / Mechanical Attic On Duct Work Access Hatches			(by CVES) by Lateef McIntosh on 04/29/23
Analyst Description: Dark Brown, Homogeneous, Fibrous, Gasket			
Asbestos Types:			
Other Material: Synthetic fibers 80%, Non-fibrous 20%			
Comment: Mastic not found			
2304190075MB-9	923041436-09	No	NAD
Location: Mechanical Attic North East / Duct Hatch Gaster w/Mastic / Mechanical Attic On Duct Work Access Hatches			(by CVES) by Lateef McIntosh on 04/29/23
Analyst Description: Dark Brown, Homogeneous, Fibrous, Gasket			
Asbestos Types:			
Other Material: Synthetic fibers 80%, Non-fibrous 20%			
Comment: Mastic not found			
2304190075MB-10	923041436-10	No	NAD
Location: Mechanical Attic SW / Duct Mastic / Mechanical Attic On Same Duct Seams			(by CVES) by Lateef McIntosh on 04/29/23
Analyst Description: Yellow, Homogeneous, Non-Fibrous, Mastic			
Asbestos Types:			
Other Material: Non-fibrous 100%			

PLM Bulk Asbestos Report

23-Z0172-0075; Buildings B, C, F, G, H, I, J (Report Amended
5/22/2023)

Client No. / HGA	Lab No.	Asbestos Present	Total % Asbestos
2304190075MB-11	923041436-11	No	NAD
Location: Mechanical Attic SW / Duct Mastic / Mechanical Attic On Same Duct Seams			(by CVES) by Lateef McIntosh on 04/29/23
Analyst Description: Yellow, Homogeneous, Non-Fibrous, Mastic			
Asbestos Types:			
Other Material: Non-fibrous 100%			
2304190075MB-12	923041436-12	No	NAD
Location: Mechanical Attic SE / Duct Mastic / Mechanical Attic On Same Duct Seams			(by CVES) by Lateef McIntosh on 04/29/23
Analyst Description: Yellow, Homogeneous, Non-Fibrous, Mastic			
Asbestos Types:			
Other Material: Non-fibrous 100%			
2304190075MB-13	923041436-13.1	No	NAD
Location: Mechanical Attic NW Ceiling / Rough Plaster / Walls And Ceilings Mechanical Attic, Electrical B202, Water Heater B207			(by CVES) by Lateef McIntosh on 04/29/23
Analyst Description: Beige/Gray, Homogeneous, Non-Fibrous, Plaster-Rough Coat			
Asbestos Types:			
Other Material: Non-fibrous 100%			
2304190075MB-13	923041436-13.2	No	NAD
Location: Mechanical Attic NW Ceiling / Rough Plaster / Walls And Ceilings Mechanical Attic, Electrical B202, Water Heater B207			(by CVES) by Lateef McIntosh on 04/29/23
Analyst Description: Off-White/Tan, Homogeneous, Non-Fibrous, Plaster-Top Coat			
Asbestos Types:			
Other Material: Non-fibrous 100%			
2304190075MB-14	923041436-14.1	No	NAD
Location: Mechanical Attic S Wall / Rough Plaster / Walls And Ceilings Mechanical Attic, Electrical B202, Water Heater B207			(by CVES) by Lateef McIntosh on 04/29/23
Analyst Description: Beige/Gray, Homogeneous, Non-Fibrous, Plaster-Rough Coat			
Asbestos Types:			
Other Material: Non-fibrous 100%			
2304190075MB-14	923041436-14.2	No	NAD
Location: Mechanical Attic S Wall / Rough Plaster / Walls And Ceilings Mechanical Attic, Electrical B202, Water Heater B207			(by CVES) by Lateef McIntosh on 04/29/23
Analyst Description: Off-White/Tan, Homogeneous, Non-Fibrous, Plaster-Top Coat			
Asbestos Types:			
Other Material: Non-fibrous 100%			

Client Name: Executive Environmental Services Corporation

PLM Bulk Asbestos Report23-Z0172-0075; Buildings B, C, F, G, H, I, J (Report Amended
5/22/2023)

Client No. / HGA	Lab No.	Asbestos Present	Total % Asbestos
2304190075MB-15	923041436-15.1	No	NAD
Location: Electrical B202 Wall N / Rough Plaster / Walls And Ceilings Mechanical Attic, Electrical B202, Water Heater B207			(by CVES) by Lateef McIntosh on 04/29/23
Analyst Description: Beige/Gray, Homogeneous, Non-Fibrous, Plaster-Rough Coat			
Asbestos Types:			
Other Material: Non-fibrous 100%			
2304190075MB-15	923041436-15.2	No	NAD
Location: Electrical B202 Wall N / Rough Plaster / Walls And Ceilings Mechanical Attic, Electrical B202, Water Heater B207			(by CVES) by Lateef McIntosh on 04/29/23
Analyst Description: Beige/Gray, Homogeneous, Non-Fibrous, Plaster-Top Coat			
Asbestos Types:			
Other Material: Non-fibrous 100%			
2304190075MB-16	923041436-16.1	No	NAD
Location: Water Heater B207 SE Ceiling / Rough Plaster / Walls And Ceilings Mechanical Attic, Electrical B202, Water Heater B207			(by CVES) by Lateef McIntosh on 04/29/23
Analyst Description: Beige/Gray, Homogeneous, Non-Fibrous, Plaster-Rough Coat			
Asbestos Types:			
Other Material: Non-fibrous 100%			
2304190075MB-16	923041436-16.2	No	NAD
Location: Water Heater B207 SE Ceiling / Rough Plaster / Walls And Ceilings Mechanical Attic, Electrical B202, Water Heater B207			(by CVES) by Lateef McIntosh on 04/29/23
Analyst Description: Off-White/Tan, Homogeneous, Non-Fibrous, Plaster-Top Coat			
Asbestos Types:			
Other Material: Non-fibrous 100%			
2304190075MB-17	923041436-17.1	No	NAD
Location: Water Heater B207 S Wall / Rough Plaster / Walls And Ceilings Mechanical Attic, Electrical B202, Water Heater B207			(by CVES) by Lateef McIntosh on 04/29/23
Analyst Description: Beige/Brown, Homogeneous, Non-Fibrous, Plaster-Rough Coat			
Asbestos Types:			
Other Material: Non-fibrous 100%			
2304190075MB-17	923041436-17.2	No	NAD
Location: Water Heater B207 S Wall / Rough Plaster / Walls And Ceilings Mechanical Attic, Electrical B202, Water Heater B207			(by CVES) by Lateef McIntosh on 04/29/23
Analyst Description: Off-White/Tan, Homogeneous, Non-Fibrous, Plaster-Top Coat			
Asbestos Types:			
Other Material: Non-fibrous 100%			

Client Name: Executive Environmental Services Corporation

PLM Bulk Asbestos Report23-Z0172-0075; Buildings B, C, F, G, H, I, J (Report Amended
5/22/2023)

Client No. / HGA	Lab No.	Asbestos Present	Total % Asbestos
2304190075MB-18	923041436-18.1	No	NAD
Location: MPR B204 W Column / Plaster With Finish Coating (Walls And Ceilings) / Throughout MPR (Building B) Except Mechanical Attic, Electrical B202 And Water Heater B207			(by CVES) by Lateef McIntosh on 04/29/23
Analyst Description: Beige, Homogeneous, Non-Fibrous, Plaster-Rough Coat			
Asbestos Types:			
Other Material: Non-fibrous 100%			
2304190075MB-18	923041436-18.2	No	NAD
Location: MPR B204 W Column / Plaster With Finish Coating (Walls And Ceilings) / Throughout MPR (Building B) Except Mechanical Attic, Electrical B202 And Water Heater B207			(by CVES) by Lateef McIntosh on 04/29/23
Analyst Description: Off-White/Tan, Homogeneous, Non-Fibrous, Plaster-Top Coat			
Asbestos Types:			
Other Material: Non-fibrous 100%			
2304190075MB-19	923041436-19.1	No	NAD
Location: MPR B204 NE Wall / Plaster With Finish Coating (Walls And Ceilings) / Throughout MPR (Building B) Except Mechanical Attic, Electrical B202 And Water Heater B207			(by CVES) by Lateef McIntosh on 04/29/23
Analyst Description: Beige, Homogeneous, Non-Fibrous, Plaster-Rough Coat			
Asbestos Types:			
Other Material: Non-fibrous 100%			
2304190075MB-19	923041436-19.2	No	NAD
Location: MPR B204 NE Wall / Plaster With Finish Coating (Walls And Ceilings) / Throughout MPR (Building B) Except Mechanical Attic, Electrical B202 And Water Heater B207			(by CVES) by Lateef McIntosh on 04/29/23
Analyst Description: Off-White/Tan, Homogeneous, Non-Fibrous, Plaster-Top Coat			
Asbestos Types:			
Other Material: Non-fibrous 100%			
2304190075MB-20	923041436-20.1	No	NAD
Location: Storage B203 SE Wall / Plaster With Finish Coating (Walls And Ceilings) / Throughout MPR (Building B) Except Mechanical Attic, Electrical B202 And Water Heater B207			(by CVES) by Lateef McIntosh on 04/29/23
Analyst Description: Beige, Homogeneous, Non-Fibrous, Plaster-Rough Coat			
Asbestos Types:			
Other Material: Non-fibrous 100%			
2304190075MB-20	923041436-20.2	No	NAD
Location: Storage B203 SE Wall / Plaster With Finish Coating (Walls And Ceilings) / Throughout MPR (Building B) Except Mechanical Attic, Electrical B202 And Water Heater B207			(by CVES) by Lateef McIntosh on 04/29/23
Analyst Description: Off-White/Tan, Homogeneous, Non-Fibrous, Plaster-Top Coat			
Asbestos Types:			
Other Material: Non-fibrous 100%			

Client Name: Executive Environmental Services Corporation

PLM Bulk Asbestos Report23-Z0172-0075; Buildings B, C, F, G, H, I, J (Report Amended
5/22/2023)

Client No. / HGA	Lab No.	Asbestos Present	Total % Asbestos
2304190075MB-21	923041436-21.1	No	NAD
Location: Hall B206 NW Wall / Plaster With Finish Coating (Walls And Ceilings) / Throughout MPR (Building B) Except Mechanical Attic, Electrical B202 And Water Heater B207			(by CVES) by Lateef McIntosh on 04/29/23
Analyst Description: Beige, Homogeneous, Non-Fibrous, Plaster-Rough Coat			
Asbestos Types:			
Other Material: Non-fibrous 100%			
2304190075MB-21	923041436-21.2	No	NAD
Location: Hall B206 NW Wall / Plaster With Finish Coating (Walls And Ceilings) / Throughout MPR (Building B) Except Mechanical Attic, Electrical B202 And Water Heater B207			(by CVES) by Lateef McIntosh on 04/29/23
Analyst Description: Off-White/Tan, Homogeneous, Non-Fibrous, Plaster-Top Coat			
Asbestos Types:			
Other Material: Non-fibrous 100%			
2304190075MB-22	923041436-22.1	No	NAD
Location: Kitchen B208 NE Ceiling / Plaster With Finish Coating (Walls And Ceilings) / Throughout MPR (Building B) Except Mechanical Attic, Electrical B202 And Water Heater B207			(by CVES) by Lateef McIntosh on 04/29/23
Analyst Description: Beige/Gray, Homogeneous, Non-Fibrous, Plaster-Rough Coat			
Asbestos Types:			
Other Material: Non-fibrous 100%			
2304190075MB-22	923041436-22.2	No	NAD
Location: Kitchen B208 NE Ceiling / Plaster With Finish Coating (Walls And Ceilings) / Throughout MPR (Building B) Except Mechanical Attic, Electrical B202 And Water Heater B207			(by CVES) by Lateef McIntosh on 04/29/23
Analyst Description: Off-White/Tan, Homogeneous, Non-Fibrous, Plaster-Top Coat			
Asbestos Types:			
Other Material: Non-fibrous 100%			
2304190075MB-23	923041436-23.1	No	NAD
Location: Custodian B214 SW Ceiling / Plaster With Finish Coating (Walls And Ceilings) / Throughout MPR (Building B) Except Mechanical Attic, Electrical B202 And Water Heater B207			(by CVES) by Lateef McIntosh on 04/29/23
Analyst Description: Beige/Gray, Homogeneous, Non-Fibrous, Plaster-Rough Coat			
Asbestos Types:			
Other Material: Non-fibrous 100%			
2304190075MB-23	923041436-23.2	No	NAD
Location: Custodian B214 SW Ceiling / Plaster With Finish Coating (Walls And Ceilings) / Throughout MPR (Building B) Except Mechanical Attic, Electrical B202 And Water Heater B207			(by CVES) by Lateef McIntosh on 04/29/23
Analyst Description: Green, Homogeneous, Non-Fibrous, Plaster-Top Coat			
Asbestos Types:			
Other Material: Non-fibrous 100%			

Client Name: Executive Environmental Services Corporation

PLM Bulk Asbestos Report23-Z0172-0075; Buildings B, C, F, G, H, I, J (Report Amended
5/22/2023)

Client No. / HGA	Lab No.	Asbestos Present	Total % Asbestos
2304190075MB-24	923041436-24.1	No	NAD
Location: Vestibule B216A SW Wall / Plaster With Finish Coating (Walls And Ceilings) / Throughout MPR (Building B) Except Mechanical Attic, Electrical B202 And Water Heater B207			(by CVES) by Lateef McIntosh on 04/29/23
Analyst Description: Beige, Homogeneous, Non-Fibrous, Plaster-Rough Coat			
Asbestos Types:			
Other Material: Non-fibrous 100%			
2304190075MB-24	923041436-24.2	No	NAD
Location: Vestibule B216A SW Wall / Plaster With Finish Coating (Walls And Ceilings) / Throughout MPR (Building B) Except Mechanical Attic, Electrical B202 And Water Heater B207			(by CVES) by Lateef McIntosh on 04/29/23
Analyst Description: Off-White, Homogeneous, Non-Fibrous, Plaster-Top Coat			
Asbestos Types:			
Other Material: Non-fibrous 100%			
2304190075MB-25	923041436-25.1	No	NAD
Location: MPR B204 N Wall / Drywall w/o Joint Compound / Office B201, Storage B203, MPR B204, Vestibule B217			(by CVES) by Lateef McIntosh on 04/29/23
Analyst Description: Off-White, Homogeneous, Non-Fibrous, Joint Compound			
Asbestos Types:			
Other Material: Non-fibrous 100%			
2304190075MB-25	923041436-25.2	No	NAD
Location: MPR B204 N Wall / Drywall w/o Joint Compound / Office B201, Storage B203, MPR B204, Vestibule B217			(by CVES) by Lateef McIntosh on 04/29/23
Analyst Description: White/Brown, Homogeneous, Fibrous, Drywall			
Asbestos Types:			
Other Material: Cellulose 5%, Non-fibrous 95%			
2304190075MB-26	923041436-26.1	No	NAD
Location: MPR B204 N Ceiling / Drywall w/o Joint Compound / Office B201, Storage B203, MPR B204, Vestibule B217			(by CVES) by Lateef McIntosh on 04/29/23
Analyst Description: Off-White, Homogeneous, Non-Fibrous, Joint Compound			
Asbestos Types:			
Other Material: Non-fibrous 100%			
2304190075MB-26	923041436-26.2	No	NAD
Location: MPR B204 N Ceiling / Drywall w/o Joint Compound / Office B201, Storage B203, MPR B204, Vestibule B217			(by CVES) by Lateef McIntosh on 04/29/23
Analyst Description: White/Brown, Homogeneous, Fibrous, Drywall			
Asbestos Types:			
Other Material: Cellulose 5%, Non-fibrous 95%			

Client Name: Executive Environmental Services Corporation

PLM Bulk Asbestos Report23-Z0172-0075; Buildings B, C, F, G, H, I, J (Report Amended
5/22/2023)

Client No. / HGA	Lab No.	Asbestos Present	Total % Asbestos
2304190075MB-27	923041436-27.1	No	NAD
Location: MPR B204 SW Ceiling / Drywall w/o Joint Compound / Office B201, Storage B203, MPR B204, Vestibule B217			(by CVES) by Lateef McIntosh on 04/29/23
Analyst Description: Off-White, Homogeneous, Non-Fibrous, Joint Compound			
Asbestos Types:			
Other Material: Non-fibrous 100%			
2304190075MB-27	923041436-27.2	No	NAD
Location: MPR B204 SW Ceiling / Drywall w/o Joint Compound / Office B201, Storage B203, MPR B204, Vestibule B217			(by CVES) by Lateef McIntosh on 04/29/23
Analyst Description: White/Brown, Homogeneous, Fibrous, Drywall			
Asbestos Types:			
Other Material: Cellulose 5%, Non-fibrous 95%			
2304190075MB-28	923041436-28L1	No	NAD
Location: MPR B204 NW Ceiling / 12" x 12" Ceiling Tiles w/ Mastic / Office B201, Storage B203, MPR B204, Vestibule B217			(by CVES) by Lateef McIntosh on 04/29/23
Analyst Description: Brown/White, Homogeneous, Fibrous, Ceiling Tile			
Asbestos Types:			
Other Material: Cellulose 85%, Non-fibrous 15%			
2304190075MB-28	923041436-28L2	No	NAD
Location: MPR B204 NW Ceiling / 12" x 12" Ceiling Tiles w/ Mastic / Office B201, Storage B203, MPR B204, Vestibule B217			(by CVES) by Lateef McIntosh on 04/29/23
Analyst Description: Brown, Homogeneous, Non-Fibrous, Mastic			
Asbestos Types:			
Other Material: Non-fibrous 100%			
2304190075MB-29	923041436-29L1	No	NAD
Location: MPR B204 N Ceiling / 12" x 12" Ceiling Tiles w/ Mastic / Office B201, Storage B203, MPR B204, Vestibule B217			(by CVES) by Lateef McIntosh on 04/29/23
Analyst Description: Brown/White, Homogeneous, Fibrous, Ceiling Tile			
Asbestos Types:			
Other Material: Cellulose 85%, Non-fibrous 15%			
2304190075MB-29	923041436-29L2	No	NAD
Location: MPR B204 N Ceiling / 12" x 12" Ceiling Tiles w/ Mastic / Office B201, Storage B203, MPR B204, Vestibule B217			(by CVES) by Lateef McIntosh on 04/29/23
Analyst Description: Brown, Homogeneous, Non-Fibrous, Mastic			
Asbestos Types:			
Other Material: Non-fibrous 100%			

Client Name: Executive Environmental Services Corporation

PLM Bulk Asbestos Report23-Z0172-0075; Buildings B, C, F, G, H, I, J (Report Amended
5/22/2023)

Client No. / HGA	Lab No.	Asbestos Present	Total % Asbestos
2304190075MB-30	923041436-30L1	No	NAD
Location: MPR B204 SW Ceiling / 12" x 12" Ceiling Tiles w/ Mastic / Office B201, Storage B203, MPR B204, Vestibule B217			(by CVES) by Lateef McIntosh on 04/29/23
Analyst Description: Brown/White, Homogeneous, Fibrous, Ceiling Tile			
Asbestos Types:			
Other Material: Cellulose 85%, Non-fibrous 15%			
2304190075MB-30	923041436-30L2	No	NAD
Location: MPR B204 SW Ceiling / 12" x 12" Ceiling Tiles w/ Mastic / Office B201, Storage B203, MPR B204, Vestibule B217			(by CVES) by Lateef McIntosh on 04/29/23
Analyst Description: Brown, Homogeneous, Non-Fibrous, Mastic			
Asbestos Types:			
Other Material: Non-fibrous 100%			
2304190075MB-31	923041436-31L1	No	NAD
Location: MPR B204 N Wall / 2' x 2' Wall Tiles w/Mastic / MPR B204 Walls			(by CVES) by Lateef McIntosh on 04/29/23
Analyst Description: Brown/White, Homogeneous, Fibrous, Wall Tile			
Asbestos Types:			
Other Material: Cellulose 85%, Non-fibrous 15%			
2304190075MB-31	923041436-31L2	No	NAD
Location: MPR B204 N Wall / 2' x 2' Wall Tiles w/Mastic / MPR B204 Walls			(by CVES) by Lateef McIntosh on 04/29/23
Analyst Description: Brown, Homogeneous, Non-Fibrous, Mastic			
Asbestos Types:			
Other Material: Non-fibrous 100%			
2304190075MB-31	923041436-31.3	No	NAD
Location: MPR B204 N Wall / 2' x 2' Wall Tiles w/Mastic / MPR B204 Walls			(by CVES) by Lateef McIntosh on 04/29/23
Analyst Description: White/Brown, Homogeneous, Fibrous, Gypsum Board			
Asbestos Types:			
Other Material: Cellulose 5%, Non-fibrous 95%			
2304190075MB-32	923041436-32L1	No	NAD
Location: MPR B204 NE Wall / 2' x 2' Wall Tiles w/Mastic / MPR B204 Walls			(by CVES) by Lateef McIntosh on 04/29/23
Analyst Description: Brown/White, Homogeneous, Fibrous, Wall Tile			
Asbestos Types:			
Other Material: Cellulose 85%, Non-fibrous 15%			

PLM Bulk Asbestos Report23-Z0172-0075; Buildings B, C, F, G, H, I, J (Report Amended
5/22/2023)

Client No. / HGA	Lab No.	Asbestos Present	Total % Asbestos
2304190075MB-32	923041436-32L2	No	NAD
Location: MPR B204 NE Wall / 2' x 2' Wall Tiles w/Mastic / MPR B204 Walls			(by CVES) by Lateef McIntosh on 04/29/23
Analyst Description: Brown, Homogeneous, Non-Fibrous, Mastic			
Asbestos Types:			
Other Material: Non-fibrous 100%			
2304190075MB-33	923041436-33L1	No	NAD
Location: MPR B204 SE Wall / 2' x 2' Wall Tiles w/Mastic / MPR B204 Walls			(by CVES) by Lateef McIntosh on 04/29/23
Analyst Description: Brown/White, Homogeneous, Fibrous, Wall Tile			
Asbestos Types:			
Other Material: Cellulose 85%, Non-fibrous 15%			
2304190075MB-33	923041436-33L2	No	NAD
Location: MPR B204 SE Wall / 2' x 2' Wall Tiles w/Mastic / MPR B204 Walls			(by CVES) by Lateef McIntosh on 04/29/23
Analyst Description: Brown, Homogeneous, Non-Fibrous, Mastic			
Asbestos Types:			
Other Material: Non-fibrous 100%			
2304190075MB-34	923041436-34	No	NAD
Location: MPR B204 NW Wall / 1' x 1' Wall Tile (Screwed In) / MPR B204 Walls Patched Areas			(by CVES) by Lateef McIntosh on 04/29/23
Analyst Description: Brown/White, Homogeneous, Fibrous, Wall Tile			
Asbestos Types:			
Other Material: Cellulose 85%, Non-fibrous 15%			
2304190075MB-35	923041436-35	No	NAD
Location: MPR B204 SW Wall / 1' x 1' Wall Tile (Screwed In) / MPR B204 Walls Patched Areas			(by CVES) by Lateef McIntosh on 04/29/23
Analyst Description: Beige/White, Homogeneous, Fibrous, Wall Tile			
Asbestos Types:			
Other Material: Cellulose 65%, Non-fibrous 35%			
2304190075MB-36	923041436-36	No	NAD
Location: MPR B204 SE Wall / 1' x 1' Wall Tile (Screwed In) / MPR B204 Walls Patched Areas			(by CVES) by Lateef McIntosh on 04/29/23
Analyst Description: Brown/White, Homogeneous, Fibrous, Wall Tile			
Asbestos Types:			
Other Material: Cellulose 85%, Non-fibrous 15%			

Client Name: Executive Environmental Services Corporation

PLM Bulk Asbestos Report

23-Z0172-0075; Buildings B, C, F, G, H, I, J (Report Amended
5/22/2023)

Client No. / HGA	Lab No.	Asbestos Present	Total % Asbestos
2304200075MB-37	923041436-37	No	NAD
Location: MPR B204 E Wall / Fiberboard w/Mastic / MPR B204 E & W Walls			(by CVES) by Lateef McIntosh on 04/29/23
Analyst Description: Green/White, Homogeneous, Fibrous, Fiber Board			
Asbestos Types:			
Other Material: Synthetic fibers 5%, Non-fibrous 95%			
2304200075MB-38	923041436-38	No	NAD
Location: MPR B204 W Wall / Fiberboard w/Mastic / MPR B204 E & W Walls			(by CVES) by Lateef McIntosh on 04/29/23
Analyst Description: Dark Brown, Homogeneous, Non-Fibrous, Mastic			
Asbestos Types:			
Other Material: Non-fibrous 100%			
2304200075MB-39	923041436-39L1	No	NAD
Location: MPR B204 NE Wall / Fiberboard w/Mastic / MPR B204 E & W Walls			(by CVES) by Lateef McIntosh on 04/29/23
Analyst Description: Green/White, Homogeneous, Fibrous, Fiber Board			
Asbestos Types:			
Other Material: Synthetic fibers 10%, Non-fibrous 90%			
2304200075MB-39	923041436-39L2	No	NAD
Location: MPR B204 NE Wall / Fiberboard w/Mastic / MPR B204 E & W Walls			(by CVES) by Lateef McIntosh on 04/29/23
Analyst Description: Dark Brown, Homogeneous, Non-Fibrous, Mastic			
Asbestos Types:			
Other Material: Non-fibrous 100%			
2304200075MB-40	923041436-40L1	No	NAD
Location: Roof N Near Vent / Roof Core / Mechanical Attic Roof			(by CVES) by Lateef McIntosh on 04/29/23
Analyst Description: Black/Silver, Homogeneous, Fibrous, Roof Membrane			
Asbestos Types:			
Other Material: Fibrous glass 10%, Non-fibrous 90%			
2304200075MB-40	923041436-40L2	No	NAD
Location: Roof N Near Vent / Roof Core / Mechanical Attic Roof			(by CVES) by Lateef McIntosh on 04/29/23
Analyst Description: Black/White, Homogeneous, Fibrous, Roofing Shingle			
Asbestos Types:			
Other Material: Non-fibrous 100%			

PLM Bulk Asbestos Report

23-Z0172-0075; Buildings B, C, F, G, H, I, J (Report Amended
5/22/2023)

Client No. / HGA	Lab No.	Asbestos Present	Total % Asbestos
2304200075MB-40	923041436-40L3	Yes	20%
Location: Roof N Near Vent / Roof Core / Mechanical Attic Roof			(by CVES) by Lateef McIntosh on 04/29/23
Analyst Description: Black, Heterogeneous, Fibrous, Roof Felts			
Asbestos Types: Chrysotile 20.0 %			
Other Material: Fibrous glass 15%, Non-fibrous 65%			
2304200075MB-41	923041436-41L1	No	NAD
Location: Roof SW / Roof Core / Mechanical Attic Roof			(by CVES) by Lateef McIntosh on 04/29/23
Analyst Description: Black/Silver, Homogeneous, Fibrous, Roof Membrane			
Asbestos Types:			
Other Material: Fibrous glass 10%, Non-fibrous 90%			
2304200075MB-41	923041436-41L2	No	NAD
Location: Roof SW / Roof Core / Mechanical Attic Roof			(by CVES) by Lateef McIntosh on 04/29/23
Analyst Description: Black/White, Homogeneous, Fibrous, Roofing Shingle			
Asbestos Types:			
Other Material: Non-fibrous 100%			
2304200075MB-41	923041436-41L3	Yes	20%
Location: Roof SW / Roof Core / Mechanical Attic Roof			(by CVES) by Lateef McIntosh on 04/29/23
Analyst Description: Black, Homogeneous, Fibrous, Roof Felts			
Asbestos Types: Chrysotile 20.0 %			
Other Material: Fibrous glass 15%, Non-fibrous 65%			
2304200075MB-42	923041436-42L1	No	NAD
Location: Roof E At Parapet / Roof Core / Mechanical Attic Roof			(by CVES) by Lateef McIntosh on 04/29/23
Analyst Description: Black/Silver, Homogeneous, Fibrous, Roof Membrane			
Asbestos Types:			
Other Material: Fibrous glass 10%, Non-fibrous 90%			
2304200075MB-42	923041436-42L2	No	NAD
Location: Roof E At Parapet / Roof Core / Mechanical Attic Roof			(by CVES) by Lateef McIntosh on 04/29/23
Analyst Description: Black/White, Homogeneous, Non-Fibrous, Roofing Shingle			
Asbestos Types:			
Other Material: Non-fibrous 100%			

PLM Bulk Asbestos Report23-Z0172-0075; Buildings B, C, F, G, H, I, J (Report Amended
5/22/2023)

Client No. / HGA	Lab No.	Asbestos Present	Total % Asbestos
2304200075MB-42	923041436-42L3	Yes	20%
Location: Roof E At Parapet / Roof Core / Mechanical Attic Roof			(by CVES) by Lateef McIntosh on 04/29/23
Analyst Description: Black, Heterogeneous, Fibrous, Roof Felts			
Asbestos Types: Chrysotile 20.0 %			
Other Material: Fibrous glass 15%, Non-fibrous 65%			
2304200075MB-43	923041436-43	Yes	3%
Location: Roof SE Flashing / Roof Mastic / Mechanical Roof			(by CVES) by Lateef McIntosh on 04/29/23
Analyst Description: Black/Silver, Homogeneous, Fibrous, Mastic			
Asbestos Types: Chrysotile 3.0 %			
Other Material: Fibrous glass 15%, Non-fibrous 82%			
2304200075MB-44	923041436-44	Yes	4%
Location: Roof N At Vent / Roof Mastic / Mechanical Roof			(by CVES) by Lateef McIntosh on 04/29/23
Analyst Description: Black/Silver, Homogeneous, Fibrous, Mastic			
Asbestos Types: Chrysotile 4.0 %			
Other Material: Non-fibrous 96%			
2304200075MB-45	923041436-45	Yes	4%
Location: Roof E Flashing / Roof Mastic / Mechanical Roof			(by CVES) by Lateef McIntosh on 04/29/23
Analyst Description: Black/Silver, Homogeneous, Non-Fibrous, Mastic			
Asbestos Types: Chrysotile 4.0 %			
Other Material: Non-fibrous 96%			
2304200075MB-46	923041436-46	No	NAD
Location: Roof Center / Conduit Pad / Mechanical Attic Roof			(by CVES) by Lateef McIntosh on 04/29/23
Analyst Description: Black/Silver, Homogeneous, Fibrous, Roofing			
Asbestos Types:			
Other Material: Fibrous glass 10%, Non-fibrous 90%			
2304200075MB-47	923041436-47	No	NAD
Location: Roof Center / Conduit Pad / Mechanical Attic Roof			(by CVES) by Lateef McIntosh on 05/02/23
Analyst Description: Black/Silver, Homogeneous, Fibrous, Roofing			
Asbestos Types:			
Other Material: Fibrous glass 10%, Non-fibrous 90%			

Client Name: Executive Environmental Services Corporation

PLM Bulk Asbestos Report23-Z0172-0075; Buildings B, C, F, G, H, I, J (Report Amended
5/22/2023)

Client No. / HGA	Lab No.	Asbestos Present	Total % Asbestos
2304200075MB-48	923041436-48	No	NAD
Location: Roof Center / Conduit Pad / Mechanical Attic Roof			(by CVES) by Lateef McIntosh on 05/02/23
Analyst Description: Black/Silver, Homogeneous, Fibrous, Roofing			
Asbestos Types:			
Other Material: Fibrous glass 10%, Non-fibrous 90%			
2304200075MB-49	923041436-49	No	NAD
Location: Roof SW / Flashing Tape / Mechanical Roof			(by CVES) by Lateef McIntosh on 05/02/23
Analyst Description: Black/Silver, Homogeneous, Fibrous, Tape			
Asbestos Types:			
Other Material: Synthetic fibers 40%, Non-fibrous 60%			
2304200075MB-50	923041436-50	No	NAD
Location: Roof NW / Flashing Tape / Mechanical Roof			(by CVES) by Lateef McIntosh on 04/29/23
Analyst Description: Black/Silver, Homogeneous, Fibrous, Tape			
Asbestos Types:			
Other Material: Synthetic fibers 40%, Non-fibrous 60%			
2304200075MB-51	923041436-51	No	NAD
Location: Roof NE / Flashing Tape / Mechanical Roof			(by CVES) by Lateef McIntosh on 05/02/23
Analyst Description: Black/Silver, Homogeneous, Fibrous, Tape			
Asbestos Types:			
Other Material: Synthetic fibers 40%, Non-fibrous 60%			
2304200075MB-52	923041436-52	Yes	20%
Location: Attic Center W / "Aircell" Pipe Insulation / Attic, Above Restrooms, (Intact), (No Debris)			(by CVES) by Megan A DeLara on 05/02/23
Analyst Description: Off-White, Homogeneous, Fibrous, Air-Cell Insulation			
Asbestos Types: Chrysotile 20.0 %			
Other Material: Cellulose 60%, Non-fibrous 20%			
2304200075MB-53	923041436-53	Yes	20%
Location: Attic Center / "Aircell" Pipe Insulation / Attic, Above Restrooms, (Intact), (No Debris)			(by CVES) by Megan A DeLara on 05/02/23
Analyst Description: Off-White, Homogeneous, Fibrous, Air-Cell Insulation			
Asbestos Types: Chrysotile 20.0 %			
Other Material: Cellulose 60%, Non-fibrous 20%			

PLM Bulk Asbestos Report

23-Z0172-0075; Buildings B, C, F, G, H, I, J (Report Amended 5/22/2023)

Client No. / HGA	Lab No.	Asbestos Present	Total % Asbestos
2304200075MB-54	923041436-54	Yes	20%
Location: Attic Center E / "Aircell" Pipe Insulation / Attic, Above Restrooms, (Intact), (No Debris)			(by CVES) by Megan A DeLara on 05/02/23
Analyst Description: Off-White, Homogeneous, Fibrous, Air-Cell Insulation Asbestos Types: Chrysotile 20.0 % Other Material: Cellulose 60%, Non-fibrous 20%			
2304200075MB-55	923041436-55	Yes	25%
Location: Attic Center W / Pipe Elbow Insulation / Attic Above Restrooms			(by CVES) by Megan A DeLara on 05/02/23
Analyst Description: Off-White, Homogeneous, Fibrous, Elbow Insulation Asbestos Types: Chrysotile 10.0 %, Amosite 15.0 % Other Material: Cellulose 40%, Non-fibrous 35%			
2304200075MB-56	923041436-56	Yes	25%
Location: Attic Center / Pipe Elbow Insulation / Attic Above Restrooms			(by CVES) by Megan A DeLara on 05/02/23
Analyst Description: Off-White, Homogeneous, Fibrous, Elbow Insulation Asbestos Types: Chrysotile 10.0 %, Amosite 15.0 % Other Material: Cellulose 40%, Non-fibrous 35%			
2304200075MB-57	923041436-57	Yes	25%
Location: Attic Center E / Pipe Elbow Insulation / Attic Above Restrooms			(by CVES) by Megan A DeLara on 05/02/23
Analyst Description: Off-White, Homogeneous, Fibrous, Elbow Insulation Asbestos Types: Chrysotile 10.0 %, Amosite 15.0 % Other Material: Cellulose 40%, Non-fibrous 35%			
2304210075MB-58	923041436-58	No	NAD
Location: C101 N Wall / Plaster / Building C Select Walls And Ceilings T-O			(by CVES) by Megan A DeLara on 05/02/23
Analyst Description: Off-White, Homogeneous, Non-Fibrous, Plaster Asbestos Types: Other Material: Non-fibrous 100%			
2304210075MB-59	923041436-59	No	NAD
Location: C101 SW Wall / Plaster / Building C Select Walls And Ceilings T-O			(by CVES) by Megan A DeLara on 05/02/23
Analyst Description: Off-White, Homogeneous, Non-Fibrous, Plaster Asbestos Types: Other Material: Non-fibrous 100%			

PLM Bulk Asbestos Report23-Z0172-0075; Buildings B, C, F, G, H, I, J (Report Amended
5/22/2023)

Client No. / HGA	Lab No.	Asbestos Present	Total % Asbestos
2304210075MB-60	923041436-60	No	NAD
Location: C105 S Wall / Plaster / Building C Select Walls And Ceilings T-O			(by CVES) by Megan A DeLara on 05/02/23
Analyst Description: Off-White, Homogeneous, Non-Fibrous, Plaster			
Asbestos Types:			
Other Material: Non-fibrous 100%			
2304210075MB-61	923041436-61	No	NAD
Location: C107 N Ceiling / Plaster / Building C Select Walls And Ceilings T-O			(by CVES) by Megan A DeLara on 05/02/23
Analyst Description: Off-White, Homogeneous, Non-Fibrous, Plaster			
Asbestos Types:			
Other Material: Non-fibrous 100%			
2304210075MB-62	923041436-62	No	NAD
Location: C108 SE Wall / Plaster / Building C Select Walls And Ceilings T-O			(by CVES) by Megan A DeLara on 05/02/23
Analyst Description: Off-White, Homogeneous, Non-Fibrous, Plaster			
Asbestos Types:			
Other Material: Non-fibrous 100%			
2304210075MB-63	923041436-63	No	NAD
Location: C101 NE / Drywall Ceiling w/o Joint Compound / Ceilings: C101, C108			(by CVES) by Megan A DeLara on 05/02/23
Analyst Description: White/Brown, Heterogeneous, Non-Fibrous, Drywall			
Asbestos Types:			
Other Material: Cellulose 5%, Non-fibrous 95%			
2304210075MB-64	923041436-64	No	NAD
Location: C101 SW / Drywall Ceiling w/o Joint Compound / Ceilings: C101, C108			(by CVES) by Megan A DeLara on 05/02/23
Analyst Description: White/Brown, Homogeneous, Fibrous, Drywall			
Asbestos Types:			
Other Material: Cellulose 5%, Non-fibrous 95%			
2304210075MB-65	923041436-65	No	NAD
Location: C108 NE / Drywall Ceiling w/o Joint Compound / Ceilings: C101, C108			(by CVES) by Megan A DeLara on 05/02/23
Analyst Description: White/Brown, Homogeneous, Fibrous, Drywall			
Asbestos Types:			
Other Material: Cellulose 5%, Non-fibrous 95%			

PLM Bulk Asbestos Report

23-Z0172-0075; Buildings B, C, F, G, H, I, J (Report Amended
5/22/2023)

Client No. / HGA	Lab No.	Asbestos Present	Total % Asbestos
2304210075MB-66	923041436-66L1	No	NAD
Location: C101 NE / 1' x 1' Ceiling Tile w/Mastic / Ceilings: C101, C108			(by CVES) by Megan A DeLara on 05/02/23
Analyst Description: Tan, Homogeneous, Fibrous, Ceiling Tile			
Asbestos Types:			
Other Material: Cellulose 85%, Non-fibrous 15%			
2304210075MB-66	923041436-66L2	No	NAD
Location: C101 NE / 1' x 1' Ceiling Tile w/Mastic / Ceilings: C101, C108			(by CVES) by Megan A DeLara on 05/02/23
Analyst Description: Brown, Homogeneous, Non-Fibrous, Mastic			
Asbestos Types:			
Other Material: Non-fibrous 100%			
2304210075MB-67	923041436-67L1	No	NAD
Location: C101 SW / 1' x 1' Ceiling Tile w/Mastic / Ceilings: C101, C108			(by CVES) by Megan A DeLara on 05/02/23
Analyst Description: Tan, Homogeneous, Fibrous, Ceiling Tile			
Asbestos Types:			
Other Material: Cellulose 85%, Non-fibrous 15%			
2304210075MB-67	923041436-67L2	No	NAD
Location: C101 SW / 1' x 1' Ceiling Tile w/Mastic / Ceilings: C101, C108			(by CVES) by Megan A DeLara on 05/02/23
Analyst Description: Brown, Homogeneous, Non-Fibrous, Mastic			
Asbestos Types:			
Other Material: Non-fibrous 100%			
2304210075MB-68	923041436-68L1	No	NAD
Location: C108 NE / 1' x 1' Ceiling Tile w/Mastic / Ceilings: C101, C108			(by CVES) by Megan A DeLara on 05/02/23
Analyst Description: Tan, Homogeneous, Fibrous, Ceiling Tile			
Asbestos Types:			
Other Material: Cellulose 85%, Non-fibrous 15%			
2304210075MB-68	923041436-68L2	No	NAD
Location: C108 NE / 1' x 1' Ceiling Tile w/Mastic / Ceilings: C101, C108			(by CVES) by Megan A DeLara on 05/02/23
Analyst Description: Brown, Homogeneous, Non-Fibrous, Mastic			
Asbestos Types:			
Other Material: Non-fibrous 100%			

Client Name: Executive Environmental Services Corporation

PLM Bulk Asbestos Report

23-Z0172-0075; Buildings B, C, F, G, H, I, J (Report Amended
5/22/2023)

Client No. / HGA	Lab No.	Asbestos Present	Total % Asbestos
2304210075MB-69 Location: Roof NE / Roof Core / T-O Roof	923041436-69L1	No	NAD (by CVES) by Megan A DeLara on 05/02/23
Analyst Description: Black/Gray, Homogeneous, Fibrous, Roofing Shingle			
Asbestos Types:			
Other Material: Cellulose 25%, Fibrous glass 5%, Non-fibrous 70%			
2304210075MB-69 Location: Roof NE / Roof Core / T-O Roof	923041436-69L2	No	NAD (by CVES) by Megan A DeLara on 05/02/23
Analyst Description: Silver/Black, Homogeneous, Fibrous, Roofing			
Asbestos Types:			
Other Material: Cellulose 35%, Fibrous glass 5%, Non-fibrous 60%			
2304210075MB-69 Location: Roof NE / Roof Core / T-O Roof	923041436-69L3	Yes	20% (by CVES) by Megan A DeLara on 05/02/23
Analyst Description: Brown, Homogeneous, Fibrous, Roofing Felt			
Asbestos Types: Chrysotile 20.0 %			
Other Material: Cellulose 65%, Non-fibrous 15%			
2304210075MB-70 Location: Roof Center / Roof Core / T-O Roof	923041436-70L1	No	NAD (by CVES) by Megan A DeLara on 05/02/23
Analyst Description: Black/Gray, Homogeneous, Fibrous, Roofing Shingle			
Asbestos Types:			
Other Material: Cellulose 25%, Fibrous glass 5%, Non-fibrous 70%			
2304210075MB-70 Location: Roof Center / Roof Core / T-O Roof	923041436-70L2	No	NAD (by CVES) by Megan A DeLara on 05/02/23
Analyst Description: Silver/Black, Homogeneous, Fibrous, Roofing			
Asbestos Types:			
Other Material: Cellulose 35%, Fibrous glass 5%, Non-fibrous 60%			
2304210075MB-70 Location: Roof Center / Roof Core / T-O Roof	923041436-70L3	Yes	20% (by CVES) by Megan A DeLara on 05/02/23
Analyst Description: Brown, Homogeneous, Fibrous, Roofing Felt			
Asbestos Types: Chrysotile 20.0 %			
Other Material: Cellulose 65%, Non-fibrous 15%			

PLM Bulk Asbestos Report23-Z0172-0075; Buildings B, C, F, G, H, I, J (Report Amended
5/22/2023)

Client No. / HGA	Lab No.	Asbestos Present	Total % Asbestos
2304210075MB-71 Location: Roof SW / Roof Core / T-O Roof	923041436-71	No	NAD (by CVES) by Megan A DeLara on 05/02/23
Analyst Description: Silver/Black, Homogeneous, Fibrous, Roofing Asbestos Types: Other Material: Cellulose 60%, Fibrous glass 5%, Non-fibrous 35%			
2304210075MB-72 Location: Roof NE Flashing / Roof Mastic / T-O Roof At Roof Jacks And Some Flashings	923041436-72	Yes	3% (by CVES) by Megan A DeLara on 05/02/23
Analyst Description: Black, Homogeneous, Non-Fibrous, Mastic Asbestos Types: Chrysotile 3.0 % Other Material: Non-fibrous 97%			
2304210075MB-73 Location: Roof Center Roof Jack / Roof Mastic / T-O Roof At Roof Jacks And Some Flashings	923041436-73	Yes	3% (by CVES) by Megan A DeLara on 05/02/23
Analyst Description: Black, Homogeneous, Non-Fibrous, Mastic Asbestos Types: Chrysotile 3.0 % Other Material: Non-fibrous 97%			
2304210075MB-74 Location: Roof SW Flashing / Roof Mastic / T-O Roof At Roof Jacks And Some Flashings	923041436-74	Yes	3% (by CVES) by Megan A DeLara on 05/02/23
Analyst Description: Black, Homogeneous, Non-Fibrous, Mastic Asbestos Types: Chrysotile 3.0 % Other Material: Non-fibrous 97%			
2304210075MB-75 Location: Exterior NW / Texture Coat / Building C Exterior On Wood Panels, Concrete, And HVAC Conduit	923041436-75	No	NAD (by CVES) by Thu M. Nguyen on 05/02/23
Analyst Description: Tan, Heterogeneous, Non-Fibrous, Texture Coat Asbestos Types: Other Material: Non-fibrous 100%			
2304210075MB-76 Location: Exterior NW / Texture Coat / Building C Exterior On Wood Panels, Concrete, And HVAC Conduit	923041436-76	No	NAD (by CVES) by Thu M. Nguyen on 05/02/23
Analyst Description: Blue, Heterogeneous, Non-Fibrous, Texture Coat Asbestos Types: Other Material: Non-fibrous 100%			

PLM Bulk Asbestos Report

23-Z0172-0075; Buildings B, C, F, G, H, I, J (Report Amended 5/22/2023)

Client No. / HGA	Lab No.	Asbestos Present	Total % Asbestos
2304210075MB-77	923041436-77	No	NAD
Location: Exterior SW / Texture Coat / Building C Exterior On Wood Panels, Concrete, And HVAC Conduit			(by CVES) by Thu M. Nguyen on 05/02/23
Analyst Description: Blue, Heterogeneous, Non-Fibrous, Texture Coat Asbestos Types: Other Material: Non-fibrous 100%			
2304210075MB-78	923041436-78	No	NAD
Location: Exterior NW / Concrete Pads / Building C Exterior			(by CVES) by Thu M. Nguyen on 05/02/23
Analyst Description: Gray, Heterogeneous, Non-Fibrous, Cementitious, Concrete Asbestos Types: Other Material: Non-fibrous 100%			
2304210075MB-79	923041436-79	No	NAD
Location: Exterior NW / Concrete Pads / Building C Exterior			(by CVES) by Thu M. Nguyen on 05/02/23
Analyst Description: Gray, Heterogeneous, Non-Fibrous, Cementitious, Concrete Asbestos Types: Other Material: Non-fibrous 100%			
2304210075MB-80	923041436-80	No	NAD
Location: Exterior SW / Concrete Pads / Building C Exterior			(by CVES) by Thu M. Nguyen on 05/02/23
Analyst Description: Gray, Heterogeneous, Non-Fibrous, Cementitious, Concrete Asbestos Types: Other Material: Non-fibrous 100%			
2304240075MB-81	923041436-81	No	NAD
Location: F401 NE Wall / Plaster / Building F T-O Classroom Walls			(by CVES) by Thu M. Nguyen on 05/02/23
Analyst Description: Beige/Gray, Heterogeneous, Non-Fibrous, Cementitious, Plaster Asbestos Types: Other Material: Non-fibrous 100%			
2304240075MB-82	923041436-82	No	NAD
Location: F401 SW Wall / Plaster / Building F T-O Classroom Walls			(by CVES) by Thu M. Nguyen on 05/02/23
Analyst Description: Beige/Gray, Heterogeneous, Non-Fibrous, Cementitious, Plaster Asbestos Types: Other Material: Non-fibrous 100%			

PLM Bulk Asbestos Report

23-Z0172-0075; Buildings B, C, F, G, H, I, J (Report Amended 5/22/2023)

Client No. / HGA	Lab No.	Asbestos Present	Total % Asbestos
2304240075MB-83 Location: F402 NE Wall / Plaster / Building F T-O Classroom Walls Analyst Description: Beige/Gray, Heterogeneous, Non-Fibrous, Cementitious, Plaster Asbestos Types: Other Material: Non-fibrous 100%	923041436-83	No	NAD (by CVES) by Thu M. Nguyen on 05/02/23
2304240075MB-84 Location: F402 SW Wall / Plaster / Building F T-O Classroom Walls Analyst Description: Beige/Gray, Heterogeneous, Non-Fibrous, Cementitious, Plaster Asbestos Types: Other Material: Non-fibrous 100%	923041436-84	No	NAD (by CVES) by Thu M. Nguyen on 05/02/23
2304240075MB-85 Location: F403 SE Wall / Plaster / Building F T-O Classroom Walls Analyst Description: Beige/Gray, Heterogeneous, Fibrous, Cementitious, Plaster Asbestos Types: Other Material: Non-fibrous 100%	923041436-85	No	NAD (by CVES) by Thu M. Nguyen on 05/02/23
2304240075MB-86 Location: F401 NE / Drywall w/o Joint Compound / Building F Ceiling T-O Analyst Description: White/Brown, Heterogeneous, Fibrous, Drywall Asbestos Types: Other Material: Cellulose 5%, Non-fibrous 95%	923041436-86	No	NAD (by CVES) by Thu M. Nguyen on 05/02/23
2304240075MB-87 Location: F402 NE / Drywall w/o Joint Compound / Building F Ceiling T-O Analyst Description: White/Brown, Heterogeneous, Fibrous, Drywall Asbestos Types: Other Material: Cellulose 5%, Non-fibrous 95%	923041436-87	No	NAD (by CVES) by Thu M. Nguyen on 05/02/23
2304240075MB-88 Location: F403 SW / Drywall w/o Joint Compound / Building F Ceiling T-O Analyst Description: White/Brown, Heterogeneous, Fibrous, Drywall Asbestos Types: Other Material: Cellulose 5%, Non-fibrous 95%	923041436-88	No	NAD (by CVES) by Thu M. Nguyen on 05/02/23

PLM Bulk Asbestos Report

23-Z0172-0075; Buildings B, C, F, G, H, I, J (Report Amended 5/22/2023)

Client No. / HGA	Lab No.	Asbestos Present	Total % Asbestos
2304240075MB-89 Location: F401 NE / 1' x 1' Ceiling Tiles w/ Mastic / Building F Ceiling T-O	923041436-89L1	No	NAD (by CVES) by Thu M. Nguyen on 05/02/23
Analyst Description: White/Brown, Heterogeneous, Fibrous, Ceiling Tile			
Asbestos Types:			
Other Material: Cellulose 80%, Non-fibrous 20%			
2304240075MB-89 Location: F401 NE / 1' x 1' Ceiling Tiles w/ Mastic / Building F Ceiling T-O	923041436-89L2	No	NAD (by CVES) by Thu M. Nguyen on 05/02/23
Analyst Description: Brown, Homogeneous, Non-Fibrous, Mastic			
Asbestos Types:			
Other Material: Non-fibrous 100%			
2304240075MB-90 Location: F402 NE / 1' x 1' Ceiling Tiles w/ Mastic / Building F Ceiling T-O	923041436-90L1	No	NAD (by CVES) by Thu M. Nguyen on 05/02/23
Analyst Description: White/Brown, Heterogeneous, Fibrous, Ceiling Tile			
Asbestos Types:			
Other Material: Cellulose 80%, Non-fibrous 20%			
2304240075MB-90 Location: F402 NE / 1' x 1' Ceiling Tiles w/ Mastic / Building F Ceiling T-O	923041436-90L2	No	NAD (by CVES) by Thu M. Nguyen on 05/02/23
Analyst Description: Brown, Homogeneous, Non-Fibrous, Mastic			
Asbestos Types:			
Other Material: Non-fibrous 100%			
2304240075MB-91 Location: F403 SW / 1' x 1' Ceiling Tiles w/ Mastic / Building F Ceiling T-O	923041436-91L1	No	NAD (by CVES) by Thu M. Nguyen on 05/02/23
Analyst Description: White/Brown, Heterogeneous, Fibrous, Ceiling Tile			
Asbestos Types:			
Other Material: Cellulose 80%, Non-fibrous 20%			
2304240075MB-91 Location: F403 SW / 1' x 1' Ceiling Tiles w/ Mastic / Building F Ceiling T-O	923041436-91L2	No	NAD (by CVES) by Thu M. Nguyen on 05/02/23
Analyst Description: Brown, Homogeneous, Non-Fibrous, Mastic			
Asbestos Types:			
Other Material: Non-fibrous 100%			

PLM Bulk Asbestos Report23-Z0172-0075; Buildings B, C, F, G, H, I, J (Report Amended
5/22/2023)

Client No. / HGA	Lab No.	Asbestos Present	Total % Asbestos
2304240075MB-92 Location: Attic S Debris / Aircell Pipe Insulation / T-O Attic	923041436-92	Yes	35% (by CVES) by Thu M. Nguyen on 05/02/23
Analyst Description: Off-White, Heterogeneous, Fibrous, Air-Cell Insulation			
Asbestos Types: Chrysotile 15.0 %, Amosite 20.0 %			
Other Material: Non-fibrous 65%			
2304240075MB-93 Location: Attic Center Debris / Aircell Pipe Insulation / T-O Attic	923041436-93	Yes	40% (by CVES) by Thu M. Nguyen on 05/02/23
Analyst Description: Beige, Heterogeneous, Fibrous, Air-Cell Insulation			
Asbestos Types: Chrysotile 40.0 %			
Other Material: Non-fibrous 60%			
2304240075MB-94 Location: Attic N Debris / Aircell Pipe Insulation / T-O Attic	923041436-94	Yes	40% (by CVES) by Thu M. Nguyen on 05/02/23
Analyst Description: Beige, Heterogeneous, Fibrous, Air-Cell Insulation			
Asbestos Types: Chrysotile 40.0 %			
Other Material: Non-fibrous 60%			
2304240075MB-95 Location: Roof NE / Roof Core / Building F T-O Roof	923041436-95L1	No	NAD (by CVES) by Thu M. Nguyen on 05/02/23
Analyst Description: Silver/Black, Heterogeneous, Fibrous, Roofing			
Asbestos Types:			
Other Material: Fibrous glass 10%, Non-fibrous 90%			
2304240075MB-95 Location: Roof NE / Roof Core / Building F T-O Roof	923041436-95L2	Yes	20% (by CVES) by Thu M. Nguyen on 05/02/23
Analyst Description: Black, Heterogeneous, Fibrous, Roofing Felt			
Asbestos Types: Chrysotile 20.0 %			
Other Material: Non-fibrous 80%			
2304240075MB-96 Location: Roof West / Roof Core / Building F T-O Roof	923041436-96L1	No	NAD (by CVES) by Thu M. Nguyen on 05/02/23
Analyst Description: Silver/Black, Heterogeneous, Fibrous, Roofing			
Asbestos Types:			
Other Material: Fibrous glass 10%, Non-fibrous 90%			

Client Name: Executive Environmental Services Corporation

PLM Bulk Asbestos Report

23-Z0172-0075; Buildings B, C, F, G, H, I, J (Report Amended
5/22/2023)

Client No. / HGA	Lab No.	Asbestos Present	Total % Asbestos
2304240075MB-96	923041436-96L2	Yes	20%
Location: Roof West / Roof Core / Building F T-O Roof			(by CVES) by Thu M. Nguyen on 05/02/23
Analyst Description: Black, Heterogeneous, Fibrous, Roofing Felt			
Asbestos Types: Chrysotile 20.0 %			
Other Material: Non-fibrous 80%			
2304240075MB-97	923041436-97L1	No	NAD
Location: Roof SE / Roof Core / Building F T-O Roof			(by CVES) by Thu M. Nguyen on 05/02/23
Analyst Description: Silver/Black, Heterogeneous, Fibrous, Roofing			
Asbestos Types:			
Other Material: Fibrous glass 10%, Synthetic fibers 15%, Non-fibrous 75%			
2304240075MB-97	923041436-97L2	Yes	20%
Location: Roof SE / Roof Core / Building F T-O Roof			(by CVES) by Thu M. Nguyen on 05/02/23
Analyst Description: Black, Heterogeneous, Fibrous, Roofing Felt			
Asbestos Types: Chrysotile 20.0 %			
Other Material: Non-fibrous 80%			
2304240075MB-98	923041436-98	Yes	2%
Location: Roof NW Flashing / Roof Mastic / Building F At Roof Jacks And Some Flashings			(by CVES) by Thu M. Nguyen on 05/02/23
Analyst Description: Silver/Black, Heterogeneous, Fibrous, Roofing Mastic			
Asbestos Types: Chrysotile 2.0 %			
Other Material: Non-fibrous 98%			
2304240075MB-99	923041436-99	Yes	2%
Location: Roof SE Roof Jack / Roof Mastic / Building F At Roof Jacks And Some Flashings			(by CVES) by Thu M. Nguyen on 05/02/23
Analyst Description: Silver/Black, Heterogeneous, Fibrous, Roofing Mastic			
Asbestos Types: Chrysotile 2.0 %			
Other Material: Non-fibrous 98%			
2304240075MB-100	923041436-100	Yes	3%
Location: Roof SE Flashing / Roof Mastic / Building F At Roof Jacks And Some Flashings			(by CVES) by Thu M. Nguyen on 05/02/23
Analyst Description: Gray/Black, Homogeneous, Fibrous, Roofing Mastic			
Asbestos Types: Chrysotile 3.0 %			
Other Material: Non-fibrous 97%			

PLM Bulk Asbestos Report23-Z0172-0075; Buildings B, C, F, G, H, I, J (Report Amended
5/22/2023)

Client No. / HGA	Lab No.	Asbestos Present	Total % Asbestos
2304240075MB-101	923041436-101	No	NAD
Location: NW Window Panel / Texture Coat / Exterior On HVAC Raceway, Conduit, Concrete Wall And Wood Window Panel			(by CVES) by Thu M. Nguyen on 05/02/23
Analyst Description: Gray, Heterogeneous, Non-Fibrous, Texture Coat			
Asbestos Types:			
Other Material: Non-fibrous 100%			
2304240075MB-102	923041436-102	No	NAD
Location: W Conduit / Texture Coat / Exterior On HVAC Raceway, Conduit, Concrete Wall And Wood Window Panel			(by CVES) by Thu M. Nguyen on 05/02/23
Analyst Description: Tan, Heterogeneous, Non-Fibrous, Texture Coat			
Asbestos Types:			
Other Material: Non-fibrous 100%			
2304240075MB-103	923041436-103	No	NAD
Location: SW Raceway / Texture Coat / Exterior On HVAC Raceway, Conduit, Concrete Wall And Wood Window Panel			(by CVES) by Thu M. Nguyen on 05/02/23
Analyst Description: Gray, Heterogeneous, Non-Fibrous, Texture Coat			
Asbestos Types:			
Other Material: Non-fibrous 100%			
2304240075MB-104	923041436-104	No	NAD
Location: Exterior NW / Concrete Pads / Exterior West			(by CVES) by Thu M. Nguyen on 05/02/23
Analyst Description: Gray, Heterogeneous, Non-Fibrous, Cementitious, Concrete			
Asbestos Types:			
Other Material: Non-fibrous 100%			
2304240075MB-105	923041436-105	No	NAD
Location: Exterior W / Concrete Pads / Exterior West			(by CVES) by Thu M. Nguyen on 05/02/23
Analyst Description: Gray, Heterogeneous, Non-Fibrous, Cementitious, Concrete			
Asbestos Types:			
Other Material: Non-fibrous 100%			
2304240075MB-106	923041436-106	No	NAD
Location: Exterior SW / Concrete Pads / Exterior West			(by CVES) by Thu M. Nguyen on 05/02/23
Analyst Description: Gray, Heterogeneous, Non-Fibrous, Cementitious, Concrete			
Asbestos Types:			
Other Material: Non-fibrous 100%			

PLM Bulk Asbestos Report

23-Z0172-0075; Buildings B, C, F, G, H, I, J (Report Amended
5/22/2023)

Client No. / HGA	Lab No.	Asbestos Present	Total % Asbestos
2304240075MB-107 Location: Exterior NW / Asphalt Paving / Building F Exterior West Analyst Description: Black, Heterogeneous, Non-Fibrous, Cementitious, Asphalt Asbestos Types: Other Material: Non-fibrous 100%	923041436-107	No	NAD (by CVES) by Thu M. Nguyen on 05/02/23
2304240075MB-108 Location: Exterior W / Asphalt Paving / Building F Exterior West Analyst Description: Black, Heterogeneous, Non-Fibrous, Cementitious, Asphalt Asbestos Types: Other Material: Non-fibrous 100%	923041436-108	No	NAD (by CVES) by Thu M. Nguyen on 05/02/23
2304240075MB-109 Location: Exterior SW / Asphalt Paving / Building F Exterior West Analyst Description: Black, Heterogeneous, Non-Fibrous, Cementitious, Asphalt Asbestos Types: Other Material: Non-fibrous 100%	923041436-109	No	NAD (by CVES) by Thu M. Nguyen on 05/02/23
2304240075MB-110 Location: (Building G) Attic NE Debris / Aircell Pipe Insulation (4") / Building G T-O Attic Analyst Description: Beige, Heterogeneous, Fibrous, Air-Cell Insulation Asbestos Types: Chrysotile 30.0 % Other Material: Non-fibrous 70%	923041436-110	Yes	30% (by CVES) by Thu M. Nguyen on 05/02/23
2304240075MB-111 Location: (Building G) Attic Center Debris / Aircell Pipe Insulation (4") / Building G T-O Attic Analyst Description: Beige, Heterogeneous, Fibrous, Air-Cell Insulation Asbestos Types: Chrysotile 30.0 % Other Material: Non-fibrous 70%	923041436-111	Yes	30% (by CVES) by Thu M. Nguyen on 05/02/23
2304240075MB-112 Location: (Building G) Attic S Pipe / Aircell Pipe Insulation (4") / Building G T-O Attic Analyst Description: Beige, Heterogeneous, Fibrous, Air-Cell Insulation Asbestos Types: Chrysotile 30.0 % Other Material: Non-fibrous 70%	923041436-112	Yes	30% (by CVES) by Thu M. Nguyen on 05/02/23

PLM Bulk Asbestos Report23-Z0172-0075; Buildings B, C, F, G, H, I, J (Report Amended
5/22/2023)

Client No. / HGA	Lab No.	Asbestos Present	Total % Asbestos
2304240075MB-113 Location: G501 NE Wall / Plaster / Building G Select Wall T-O	923041436-113	No	NAD (by CVES) by Thu M. Nguyen on 05/02/23
Analyst Description: Beige/Gray, Heterogeneous, Non-Fibrous, Cementitious, Plaster			
Asbestos Types:			
Other Material: Non-fibrous 100%			
2304240075MB-114 Location: G501 S Wall / Plaster / Building G Select Wall T-O	923041436-114	No	NAD (by CVES) by Thu M. Nguyen on 05/02/23
Analyst Description: Beige/Gray, Heterogeneous, Non-Fibrous, Cementitious, Plaster			
Asbestos Types:			
Other Material: Non-fibrous 100%			
2304240075MB-115 Location: G502 NE Wall / Plaster / Building G Select Wall T-O	923041436-115	No	NAD (by CVES) by Thu M. Nguyen on 05/02/23
Analyst Description: Beige/Gray, Heterogeneous, Non-Fibrous, Cementitious, Plaster			
Asbestos Types:			
Other Material: Non-fibrous 100%			
2304240075MB-116 Location: G502 SW Wall / Plaster / Building G Select Wall T-O	923041436-116	No	NAD (by CVES) by Thu M. Nguyen on 05/02/23
Analyst Description: Beige/Gray, Heterogeneous, Non-Fibrous, Cementitious, Plaster			
Asbestos Types:			
Other Material: Non-fibrous 100%			
2304240075MB-117 Location: G503 NE Wall / Plaster / Building G Select Wall T-O	923041436-117	No	NAD (by CVES) by Thu M. Nguyen on 05/02/23
Analyst Description: Beige/Gray, Heterogeneous, Non-Fibrous, Cementitious, Plaster			
Asbestos Types:			
Other Material: Non-fibrous 100%			
2304240075MB-118 Location: G501 S / Drywall w/o Joint Compound Ceiling / Building G T-O Ceiling	923041436-118	No	NAD (by CVES) by Thu M. Nguyen on 05/02/23
Analyst Description: Off-White/Brown, Heterogeneous, Fibrous, Drywall			
Asbestos Types:			
Other Material: Cellulose 5%, Non-fibrous 95%			

PLM Bulk Asbestos Report

23-Z0172-0075; Buildings B, C, F, G, H, I, J (Report Amended 5/22/2023)

Client No. / HGA	Lab No.	Asbestos Present	Total % Asbestos
2304240075MB-119 Location: G502 SW / Drywall w/o Joint Compound Ceiling / Building G T-O Ceiling	923041436-119	No	NAD (by CVES) by Thu M. Nguyen on 05/02/23
Analyst Description: Off-White, Heterogeneous, Fibrous, Drywall			
Asbestos Types:			
Other Material: Cellulose 5%, Non-fibrous 95%			
2304240075MB-120 Location: G503 NE / Drywall w/o Joint Compound Ceiling / Building G T-O Ceiling	923041436-120	No	NAD (by CVES) by Thu M. Nguyen on 05/02/23
Analyst Description: Off-White, Heterogeneous, Fibrous, Drywall			
Asbestos Types:			
Other Material: Cellulose 5%, Non-fibrous 95%			
2304240075MB-121 Location: G501 S / 1' x 1' Ceiling Tiles w/Mastic / Building G T-O Ceiling	923041436-121L1	No	NAD (by CVES) by Thu M. Nguyen on 05/02/23
Analyst Description: White/Brown, Heterogeneous, Fibrous, Ceiling Tile			
Asbestos Types:			
Other Material: Cellulose 80%, Non-fibrous 20%			
2304240075MB-121 Location: G501 S / 1' x 1' Ceiling Tiles w/Mastic / Building G T-O Ceiling	923041436-121L2	No	NAD (by CVES) by Thu M. Nguyen on 05/02/23
Analyst Description: Brown, Homogeneous, Non-Fibrous, Mastic			
Asbestos Types:			
Other Material: Non-fibrous 100%			
2304240075MB-122 Location: G502 SW / 1' x 1' Ceiling Tiles w/Mastic / Building G T-O Ceiling	923041436-122L1	No	NAD (by CVES) by Thu M. Nguyen on 05/02/23
Analyst Description: White/Brown, Heterogeneous, Fibrous, Ceiling Tile			
Asbestos Types:			
Other Material: Cellulose 80%, Non-fibrous 20%			
2304240075MB-122 Location: G502 SW / 1' x 1' Ceiling Tiles w/Mastic / Building G T-O Ceiling	923041436-122L2	No	NAD (by CVES) by Thu M. Nguyen on 05/02/23
Analyst Description: Brown, Homogeneous, Non-Fibrous, Mastic			
Asbestos Types:			
Other Material: Non-fibrous 100%			

Client Name: Executive Environmental Services Corporation

PLM Bulk Asbestos Report23-Z0172-0075; Buildings B, C, F, G, H, I, J (Report Amended
5/22/2023)

Client No. / HGA	Lab No.	Asbestos Present	Total % Asbestos
2304240075MB-123 Location: G503 NE / 1' x 1' Ceiling Tiles w/Mastic / Building G T-O Ceiling	923041436-123L1	No	NAD (by CVES) by Thu M. Nguyen on 05/02/23
Analyst Description: White/Brown, Heterogeneous, Fibrous, Ceiling Tile			
Asbestos Types:			
Other Material: Cellulose 80%, Non-fibrous 20%			
2304240075MB-123 Location: G503 NE / 1' x 1' Ceiling Tiles w/Mastic / Building G T-O Ceiling	923041436-123L2	No	NAD (by CVES) by Thu M. Nguyen on 05/02/23
Analyst Description: Brown, Homogeneous, Non-Fibrous, Mastic			
Asbestos Types:			
Other Material: Non-fibrous 100%			
2304240075MB-124 Location: Roof NE / Roof Core / Building G Roof T-O	923041436-124L1	No	NAD (by CVES) by Thu M. Nguyen on 05/02/23
Analyst Description: Silver/Black, Heterogeneous, Fibrous, Roofing			
Asbestos Types:			
Other Material: Fibrous glass 15%, Synthetic fibers 15%, Non-fibrous 70%			
2304240075MB-124 Location: Roof NE / Roof Core / Building G Roof T-O	923041436-124L2	Yes	20% (by CVES) by Thu M. Nguyen on 05/02/23
Analyst Description: Black, Heterogeneous, Fibrous, Roofing Felt			
Asbestos Types: Chrysotile 20.0 %			
Other Material: Non-fibrous 80%			
2304240075MB-125 Location: Roof W / Roof Core / Building G Roof T-O	923041436-125L1	No	NAD (by CVES) by Thu M. Nguyen on 05/02/23
Analyst Description: Silver/Black, Heterogeneous, Fibrous, Roofing			
Asbestos Types:			
Other Material: Fibrous glass 15%, Synthetic fibers 15%, Non-fibrous 70%			
2304240075MB-125 Location: Roof W / Roof Core / Building G Roof T-O	923041436-125L2	Yes	20% (by CVES) by Thu M. Nguyen on 05/02/23
Analyst Description: Black, Homogeneous, Fibrous, Roofing Felt			
Asbestos Types: Chrysotile 20.0 %			
Other Material: Non-fibrous 80%			

PLM Bulk Asbestos Report23-Z0172-0075; Buildings B, C, F, G, H, I, J (Report Amended
5/22/2023)

Client No. / HGA	Lab No.	Asbestos Present	Total % Asbestos
2304240075MB-126 Location: Roof SE / Roof Core / Building G Roof T-O	923041436-126L1	No	NAD (by CVES) by Thu M. Nguyen on 05/02/23
Analyst Description: Silver/Black, Heterogeneous, Fibrous, Roofing			
Asbestos Types:			
Other Material: Fibrous glass 15%, Synthetic fibers 15%, Non-fibrous 70%			
2304240075MB-126 Location: Roof SE / Roof Core / Building G Roof T-O	923041436-126L2	Yes	30% (by CVES) by Thu M. Nguyen on 05/02/23
Analyst Description: Black, Homogeneous, Fibrous, Roofing Felt			
Asbestos Types: Chrysotile 30.0 %			
Other Material: Non-fibrous 70%			
2304240075MB-127 Location: Roof NW Flashing / Roof Mastic / Building G Roof At Roof Jacks And Some Flashings	923041436-127	Yes	2% (by CVES) by Thu M. Nguyen on 05/02/23
Analyst Description: Black, Homogeneous, Fibrous, Roofing Mastic			
Asbestos Types: Chrysotile 2.0 %			
Other Material: Non-fibrous 98%			
2304240075MB-128 Location: Roof E Roof Jack / Roof Mastic / Building G Roof At Roof Jacks And Some Flashings	923041436-128	Yes	2% (by CVES) by Thu M. Nguyen on 05/02/23
Analyst Description: Black, Homogeneous, Fibrous, Roofing Mastic			
Asbestos Types: Chrysotile 2.0 %			
Other Material: Non-fibrous 98%			
2304240075MB-129 Location: Roof SE Flashing / Roof Mastic / Building G Roof At Roof Jacks And Some Flashings	923041436-129	Yes	2% (by CVES) by Thu M. Nguyen on 05/02/23
Analyst Description: Black, Homogeneous, Fibrous, Roofing Mastic			
Asbestos Types: Chrysotile 2.0 %			
Other Material: Non-fibrous 98%			
2304240075MB-130 Location: Exterior NW / Texture Coat / Exterior On HVAC Raceway, Conduit, Concrete Wall And Wood Window Panel	923041436-130	No	NAD (by CVES) by Thu M. Nguyen on 05/02/23
Analyst Description: Tan, Heterogeneous, Non-Fibrous, Texture Coat			
Asbestos Types:			
Other Material: Non-fibrous 100%			

PLM Bulk Asbestos Report

23-Z0172-0075; Buildings B, C, F, G, H, I, J (Report Amended 5/22/2023)

Client No. / HGA	Lab No.	Asbestos Present	Total % Asbestos
2304240075MB-131	923041436-131	No	NAD
Location: Exterior W / Texture Coat / Exterior On HVAC Raceway, Conduit, Concrete Wall And Wood Window Panel			(by CVES) by Thu M. Nguyen on 05/02/23
Analyst Description: Gray, Heterogeneous, Non-Fibrous, Texture Coat			
Asbestos Types:			
Other Material: Non-fibrous 100%			
2304240075MB-132	923041436-132	No	NAD
Location: Exterior SW / Texture Coat / Exterior On HVAC Raceway, Conduit, Concrete Wall And Wood Window Panel			(by CVES) by Thu M. Nguyen on 05/02/23
Analyst Description: Gray, Heterogeneous, Non-Fibrous, Texture Coat			
Asbestos Types:			
Other Material: Non-fibrous 100%			
2304240075MB-133	923041436-133	No	NAD
Location: Exterior NW / Concrete Pads / Exterior West			(by CVES) by Thu M. Nguyen on 05/02/23
Analyst Description: Gray, Heterogeneous, Non-Fibrous, Cementitious, Concrete			
Asbestos Types:			
Other Material: Non-fibrous 100%			
2304240075MB-134	923041436-134	No	NAD
Location: Exterior W / Concrete Pads / Exterior West			(by CVES) by Thu M. Nguyen on 05/02/23
Analyst Description: Gray, Heterogeneous, Non-Fibrous, Cementitious, Concrete			
Asbestos Types:			
Other Material: Non-fibrous 100%			
2304240075MB-135	923041436-135	No	NAD
Location: Exterior SW / Concrete Pads / Exterior West			(by CVES) by Thu M. Nguyen on 05/02/23
Analyst Description: Gray, Heterogeneous, Non-Fibrous, Cementitious, Concrete			
Asbestos Types:			
Other Material: Non-fibrous 100%			
2304250075MB-136	923041436-136	Yes	30%
Location: Attic NE Debris / Aircell Pipe Insulation "4" / Building H Attic T-O			(by CVES) by Thu M. Nguyen on 05/02/23
Analyst Description: Beige, Heterogeneous, Fibrous, Air-Cell Insulation			
Asbestos Types: Chrysotile 30.0 %			
Other Material: Non-fibrous 70%			

PLM Bulk Asbestos Report

23-Z0172-0075; Buildings B, C, F, G, H, I, J (Report Amended 5/22/2023)

Client No. / HGA	Lab No.	Asbestos Present	Total % Asbestos
2304250075MB-137	923041436-137	Yes	30%
Location: Attic Center Debris / Aircell Pipe Insulation "4" / Building H Attic T-O			(by CVES) by Thu M. Nguyen on 05/02/23
Analyst Description: Beige, Heterogeneous, Fibrous, Air-Cell Insulation			
Asbestos Types: Chrysotile 30.0 %			
Other Material: Non-fibrous 70%			
2304250075MB-138	923041436-138	Yes	30%
Location: Attic SW Pipe / Aircell Pipe Insulation "4" / Building H Attic T-O			(by CVES) by Thu M. Nguyen on 05/02/23
Analyst Description: Beige, Heterogeneous, Fibrous, Air-Cell Insulation			
Asbestos Types: Chrysotile 30.0 %			
Other Material: Non-fibrous 70%			
2304250075MB-139	923041436-139	No	NAD
Location: H601 NE Wall / Plaster / Building H Select Walls T-O			(by CVES) by Thu M. Nguyen on 05/02/23
Analyst Description: Beige/Gray, Heterogeneous, Non-Fibrous, Cementitious, Plaster			
Asbestos Types:			
Other Material: Non-fibrous 100%			
2304250075MB-140	923041436-140	No	NAD
Location: H602 N Wall / Plaster / Building H Select Walls T-O			(by CVES) by Thu M. Nguyen on 05/02/23
Analyst Description: Beige/Gray, Heterogeneous, Non-Fibrous, Cementitious, Plaster			
Asbestos Types:			
Other Material: Non-fibrous 100%			
2304250075MB-141	923041436-141	No	NAD
Location: H602 SE Wall / Plaster / Building H Select Walls T-O			(by CVES) by Thu M. Nguyen on 05/02/23
Analyst Description: Beige/Gray, Heterogeneous, Non-Fibrous, Cementitious, Plaster			
Asbestos Types:			
Other Material: Non-fibrous 100%			
2304250075MB-142	923041436-142	No	NAD
Location: H603 N Wall / Plaster / Building H Select Walls T-O			(by CVES) by Thu M. Nguyen on 05/02/23
Analyst Description: Beige/Gray, Heterogeneous, Non-Fibrous, Cementitious, Plaster			
Asbestos Types:			
Other Material: Non-fibrous 100%			

Client Name: Executive Environmental Services Corporation

PLM Bulk Asbestos Report23-Z0172-0075; Buildings B, C, F, G, H, I, J (Report Amended
5/22/2023)

Client No. / HGA	Lab No.	Asbestos Present	Total % Asbestos
2304250075MB-143 Location: H604 SE Wall / Plaster / Building H Select Walls T-O	923041436-143	No	NAD (by CVES) by Thu M. Nguyen on 05/02/23
Analyst Description: Beige/Gray, Heterogeneous, Non-Fibrous, Cementitious, Plaster			
Asbestos Types:			
Other Material: Non-fibrous 100%			
2304250075MB-144 Location: H601 NE / Drywall w/o Joint Compound Ceiling / Building H Ceiling T-O	923041436-144	No	NAD (by CVES) by Thu M. Nguyen on 05/02/23
Analyst Description: White/Brown, Heterogeneous, Fibrous, Drywall			
Asbestos Types:			
Other Material: Cellulose 5%, Non-fibrous 95%			
2304250075MB-145 Location: H602 SE / Drywall w/o Joint Compound Ceiling / Building H Ceiling T-O	923041436-145	No	NAD (by CVES) by Thu M. Nguyen on 05/02/23
Analyst Description: White/Brown, Heterogeneous, Fibrous, Drywall			
Asbestos Types:			
Other Material: Cellulose 5%, Non-fibrous 95%			
2304250075MB-146 Location: H604 SE / Drywall w/o Joint Compound Ceiling / Building H Ceiling T-O	923041436-146	No	NAD (by CVES) by Thu M. Nguyen on 05/02/23
Analyst Description: White/Brown, Heterogeneous, Fibrous, Drywall			
Asbestos Types:			
Other Material: Cellulose 5%, Non-fibrous 95%			
2304250075MB-147 Location: H601 NE / 12" x 12" Ceiling Tiles w/ Mastic / Building H Ceilings T-O	923041436-147L1	No	NAD (by CVES) by Thu M. Nguyen on 05/02/23
Analyst Description: White/Brown, Heterogeneous, Fibrous, Ceiling Tile			
Asbestos Types:			
Other Material: Cellulose 80%, Non-fibrous 20%			
2304250075MB-147 Location: H601 NE / 12" x 12" Ceiling Tiles w/ Mastic / Building H Ceilings T-O	923041436-147L2	No	NAD (by CVES) by Thu M. Nguyen on 05/02/23
Analyst Description: Tan, Homogeneous, Non-Fibrous, Marble			
Asbestos Types:			
Other Material: Non-fibrous 100%			

PLM Bulk Asbestos Report23-Z0172-0075; Buildings B, C, F, G, H, I, J (Report Amended
5/22/2023)

Client No. / HGA	Lab No.	Asbestos Present	Total % Asbestos
2304250075MB-148 Location: H602 SE / 12" x 12" Ceiling Tiles w/ Mastic / Building H Ceilings T-O	923041436-148L1	No	NAD (by CVES) by Thu M. Nguyen on 05/02/23
Analyst Description: White/Brown, Heterogeneous, Fibrous, Ceiling Tile			
Asbestos Types:			
Other Material: Non-fibrous 100%			
2304250075MB-148 Location: H602 SE / 12" x 12" Ceiling Tiles w/ Mastic / Building H Ceilings T-O	923041436-148L2	No	NAD (by CVES) by Thu M. Nguyen on 05/02/23
Analyst Description: Tan, Homogeneous, Non-Fibrous, Mastic			
Asbestos Types:			
Other Material: Non-fibrous 100%			
2304250075MB-149 Location: H604 SE / 12" x 12" Ceiling Tiles w/ Mastic / Building H Ceilings T-O	923041436-149L1	No	NAD (by CVES) by Thu M. Nguyen on 05/02/23
Analyst Description: White/Brown, Heterogeneous, Fibrous, Ceiling Tile			
Asbestos Types:			
Other Material: Cellulose 80%, Non-fibrous 20%			
2304250075MB-149 Location: H604 SE / 12" x 12" Ceiling Tiles w/ Mastic / Building H Ceilings T-O	923041436-149L2	No	NAD (by CVES) by Thu M. Nguyen on 05/02/23
Analyst Description: Tan, Homogeneous, Non-Fibrous, Mastic			
Asbestos Types:			
Other Material: Non-fibrous 100%			
2304250075MB-150 Location: Roof NE / Roof Core / Building H Roof T-O	923041436-150L1	No	NAD (by CVES) by Thu M. Nguyen on 05/02/23
Analyst Description: Black, Heterogeneous, Fibrous, Roofing			
Asbestos Types:			
Other Material: Fibrous glass 5%, Synthetic fibers 10%, Non-fibrous 85%			
2304250075MB-150 Location: Roof NE / Roof Core / Building H Roof T-O	923041436-150L2	Yes	15% (by CVES) by Thu M. Nguyen on 05/02/23
Analyst Description: Black, Heterogeneous, Fibrous, Roofing Felt			
Asbestos Types: Chrysotile 15.0 %			
Other Material: Non-fibrous 85%			

PLM Bulk Asbestos Report

23-Z0172-0075; Buildings B, C, F, G, H, I, J (Report Amended 5/22/2023)

Client No. / HGA	Lab No.	Asbestos Present	Total % Asbestos
2304250075MB-151 Location: Roof W / Roof Core / Building H Roof T-O	923041436-151L1	No	NAD (by CVES) by Thu M. Nguyen on 05/02/23
Analyst Description: Black, Heterogeneous, Fibrous, Roofing			
Asbestos Types:			
Other Material: Fibrous glass 5%, Synthetic fibers 10%, Non-fibrous 85%			
2304250075MB-151 Location: Roof W / Roof Core / Building H Roof T-O	923041436-151L2	Yes	15% (by CVES) by Thu M. Nguyen on 05/02/23
Analyst Description: Black, Homogeneous, Fibrous, Roofing Felt			
Asbestos Types: Chrysotile 15.0 %			
Other Material: Non-fibrous 85%			
2304250075MB-152 Location: Roof SE / Roof Core / Building H Roof T-O	923041436-152L1	No	NAD (by CVES) by Thu M. Nguyen on 05/02/23
Analyst Description: Black, Heterogeneous, Fibrous, Roofing			
Asbestos Types:			
Other Material: Synthetic fibers 15%, Non-fibrous 85%			
2304250075MB-152 Location: Roof SE / Roof Core / Building H Roof T-O	923041436-152L2	Yes	15% (by CVES) by Thu M. Nguyen on 05/02/23
Analyst Description: Black, Homogeneous, Fibrous, Roofing Felt			
Asbestos Types: Chrysotile 15.0 %			
Other Material: Non-fibrous 85%			
2304250075MB-153 Location: Roof NW Flashing / Roof Mastic / Building H Roof At Roof Jacks And Some Flashings	923041436-153	Yes	2% (by CVES) by Thu M. Nguyen on 05/02/23
Analyst Description: Silver/Black, Homogeneous, Fibrous, Roofing Mastic			
Asbestos Types: Chrysotile 2.0 %			
Other Material: Non-fibrous 98%			
2304250075MB-154 Location: Roof SE Roof Jack / Roof Mastic / Building H Roof At Roof Jacks And Some Flashings	923041436-154	Yes	2% (by CVES) by Thu M. Nguyen on 05/02/23
Analyst Description: Silver/Black, Homogeneous, Fibrous, Roofing Mastic			
Asbestos Types: Chrysotile 2.0 %			
Other Material: Non-fibrous 98%			

PLM Bulk Asbestos Report

23-Z0172-0075; Buildings B, C, F, G, H, I, J (Report Amended 5/22/2023)

Client No. / HGA	Lab No.	Asbestos Present	Total % Asbestos
2304250075MB-155	923041436-155	Yes	2%
Location: Roof SE Flashing / Roof Mastic / Building H Roof At Roof Jacks And Some Flashings			(by CVES) by Thu M. Nguyen on 05/02/23
Analyst Description: Silver/Black, Heterogeneous, Fibrous, Roofing Mastic			
Asbestos Types: Chrysotile 2.0 %			
Other Material: Non-fibrous 98%			
2304250075MB-156	923041436-156	No	NAD
Location: Exterior NW / Texture Coat / Building H Exterior On HVAC Raceway, Conduit, Concrete Wall, And Wood Window Panel			(by CVES) by Thu M. Nguyen on 05/02/23
Analyst Description: Gray, Heterogeneous, Non-Fibrous, Texture Coat			
Asbestos Types:			
Other Material: Non-fibrous 100%			
2304250075MB-157	923041436-157	No	NAD
Location: Exterior W / Texture Coat / Building H Exterior On HVAC Raceway, Conduit, Concrete Wall, And Wood Window Panel			(by CVES) by Thu M. Nguyen on 05/02/23
Analyst Description: Gray, Heterogeneous, Non-Fibrous, Texture Coat			
Asbestos Types:			
Other Material: Non-fibrous 100%			
2304250075MB-158	923041436-158	No	NAD
Location: Exterior SW / Texture Coat / Building H Exterior On HVAC Raceway, Conduit, Concrete Wall, And Wood Window Panel			(by CVES) by Thu M. Nguyen on 05/02/23
Analyst Description: Tan, Heterogeneous, Non-Fibrous, Texture Coat			
Asbestos Types:			
Other Material: Non-fibrous 100%			
2304250075MB-159	923041436-159	No	NAD
Location: Exterior NW/ Concrete Pad / Building H Exterior West			(by CVES) by Thu M. Nguyen on 05/02/23
Analyst Description: Gray, Heterogeneous, Non-Fibrous, Cementitious, Concrete			
Asbestos Types:			
Other Material: Non-fibrous 100%			
2304250075MB-160	923041436-160	No	NAD
Location: Exterior W / Concrete Pad / Building H Exterior West			(by CVES) by Thu M. Nguyen on 05/02/23
Analyst Description: Gray, Heterogeneous, Non-Fibrous, Cementitious, Concrete			
Asbestos Types:			
Other Material: Non-fibrous 100%			

PLM Bulk Asbestos Report

23-Z0172-0075; Buildings B, C, F, G, H, I, J (Report Amended 5/22/2023)

Client No. / HGA	Lab No.	Asbestos Present	Total % Asbestos
2304250075MB-161 Location: Exterior SW / Concrete Pad / Building H Exterior West	923041436-161	No	NAD (by CVES) by Thu M. Nguyen on 05/02/23
Analyst Description: Gray, Heterogeneous, Non-Fibrous, Cementitious, Concrete			
Asbestos Types:			
Other Material: Non-fibrous 100%			
2304250075MB-162 Location: Attic NE Debris / Aircell Pipe Insulation 4" / Building I Attic T-O	923041436-162	Yes	30% (by CVES) by Thu M. Nguyen on 05/02/23
Analyst Description: Beige, Heterogeneous, Fibrous, Air-Cell Insulation			
Asbestos Types: Chrysotile 30.0 %			
Other Material: Non-fibrous 70%			
2304250075MB-163 Location: Attic Center Debris / Aircell Pipe Insulation 4" / Building I Attic T-O	923041436-163	Yes	30% (by CVES) by Thu M. Nguyen on 05/02/23
Analyst Description: Beige, Heterogeneous, Fibrous, Air-Cell Insulation			
Asbestos Types: Chrysotile 30.0 %			
Other Material: Non-fibrous 70%			
2304250075MB-164 Location: Attic S Pipe / Aircell Pipe Insulation 4" / Building I Attic T-O	923041436-164	Yes	30% (by CVES) by Thu M. Nguyen on 05/02/23
Analyst Description: Beige, Heterogeneous, Fibrous, Air-Cell Insulation			
Asbestos Types: Chrysotile 30.0 %			
Other Material: Non-fibrous 70%			
2304250075MB-165 Location: I701 NE Wall / Plaster / Building I Select Walls T-O	923041436-165	No	NAD (by CVES) by Thu M. Nguyen on 05/02/23
Analyst Description: Beige/Gray, Heterogeneous, Non-Fibrous, Cementitious, Plaster			
Asbestos Types:			
Other Material: Non-fibrous 100%			
2304250075MB-166 Location: I701 S Wall / Plaster / Building I Select Walls T-O	923041436-166	No	NAD (by CVES) by Thu M. Nguyen on 05/02/23
Analyst Description: Beige/Gray, Heterogeneous, Non-Fibrous, Cementitious, Plaster			
Asbestos Types:			
Other Material: Non-fibrous 100%			

Client Name: Executive Environmental Services Corporation

PLM Bulk Asbestos Report

23-Z0172-0075; Buildings B, C, F, G, H, I, J (Report Amended
5/22/2023)

Client No. / HGA	Lab No.	Asbestos Present	Total % Asbestos
2304250075MB-167 Location: I702 N Wall / Plaster / Building I Select Walls T-O	923041436-167	No	NAD (by CVES) by Thu M. Nguyen on 05/02/23
Analyst Description: Beige/Gray, Heterogeneous, Non-Fibrous, Cementitious, Plaster			
Asbestos Types:			
Other Material: Non-fibrous 100%			
2304250075MB-168 Location: I703 NE Wall / Plaster / Building I Select Walls T-O	923041436-168	No	NAD (by CVES) by Thu M. Nguyen on 05/02/23
Analyst Description: Beige/Gray, Heterogeneous, Non-Fibrous, Cementitious, Plaster			
Asbestos Types:			
Other Material: Non-fibrous 100%			
2304250075MB-169 Location: I704 SE Wall / Plaster / Building I Select Walls T-O	923041436-169	No	NAD (by CVES) by Thu M. Nguyen on 05/02/23
Analyst Description: Beige/Gray, Heterogeneous, Non-Fibrous, Cementitious, Plaster			
Asbestos Types:			
Other Material: Non-fibrous 100%			
2304250075MB-170 Location: I701 NE / Drywall w/o Joint Compound Ceiling / Building I Ceilings T-O	923041436-170	No	NAD (by CVES) by Thu M. Nguyen on 05/02/23
Analyst Description: White/Brown, Heterogeneous, Fibrous, Drywall			
Asbestos Types:			
Other Material: Cellulose 10%, Non-fibrous 90%			
2304250075MB-171 Location: I702 N / Drywall w/o Joint Compound Ceiling / Building I Ceilings T-O	923041436-171	No	NAD (by CVES) by Thu M. Nguyen on 05/02/23
Analyst Description: White/Brown, Heterogeneous, Fibrous, Drywall			
Asbestos Types:			
Other Material: Cellulose 10%, Non-fibrous 90%			
2304250075MB-172 Location: I704 SE / Drywall w/o Joint Compound Ceiling / Building I Ceilings T-O	923041436-172	No	NAD (by CVES) by Thu M. Nguyen on 05/02/23
Analyst Description: White/Brown, Heterogeneous, Fibrous, Drywall			
Asbestos Types:			
Other Material: Cellulose 10%, Non-fibrous 90%			

PLM Bulk Asbestos Report23-Z0172-0075; Buildings B, C, F, G, H, I, J (Report Amended
5/22/2023)

Client No. / HGA	Lab No.	Asbestos Present	Total % Asbestos
2304250075MB-173 Location: I701 NE / 12" x 12" Ceiling Tiles w/Mastic / Building I Ceilings T-O	923041436-173L1	No	NAD (by CVES) by Thu M. Nguyen on 05/02/23
Analyst Description: Brown, Heterogeneous, Fibrous, Ceiling Tile Asbestos Types: Other Material: Cellulose 80%, Non-fibrous 20%			
2304250075MB-173 Location: I701 NE / 12" x 12" Ceiling Tiles w/Mastic / Building I Ceilings T-O	923041436-173L2	No	NAD (by CVES) by Thu M. Nguyen on 05/02/23
Analyst Description: Brown, Homogeneous, Non-Fibrous, Mastic Asbestos Types: Other Material: Non-fibrous 100%			
2304250075MB-174 Location: I702 N / 12" x 12" Ceiling Tiles w/Mastic / Building I Ceilings T-O	923041436-174L1	No	NAD (by CVES) by Thu M. Nguyen on 05/02/23
Analyst Description: Brown, Homogeneous, Fibrous, Ceiling Tile Asbestos Types: Other Material: Cellulose 80%, Non-fibrous 20%			
2304250075MB-174 Location: I702 N / 12" x 12" Ceiling Tiles w/Mastic / Building I Ceilings T-O	923041436-174L2	No	NAD (by CVES) by Thu M. Nguyen on 05/02/23
Analyst Description: Brown, Homogeneous, Non-Fibrous, Mastic Asbestos Types: Other Material: Non-fibrous 100%			
2304250075MB-175 Location: I704 SE / 12" x 12" Ceiling Tiles w/Mastic / Building I Ceilings T-O	923041436-175L1	No	NAD (by CVES) by Thu M. Nguyen on 05/02/23
Analyst Description: White/Brown, Heterogeneous, Fibrous, Ceiling Tile Asbestos Types: Other Material: Cellulose 80%, Non-fibrous 20%			
2304250075MB-175 Location: I704 SE / 12" x 12" Ceiling Tiles w/Mastic / Building I Ceilings T-O	923041436-175L2	No	NAD (by CVES) by Thu M. Nguyen on 05/02/23
Analyst Description: Brown, Homogeneous, Non-Fibrous, Ceiling Tile Asbestos Types: Other Material: Non-fibrous 100%			

PLM Bulk Asbestos Report

23-Z0172-0075; Buildings B, C, F, G, H, I, J (Report Amended 5/22/2023)

Client No. / HGA	Lab No.	Asbestos Present	Total % Asbestos
2304250075MB-176 Location: Roof NW / Roof Core / Building I Roof T-O	923041436-176L1	No	NAD (by CVES) by Thu M. Nguyen on 05/02/23
Analyst Description: Gray/Black, Heterogeneous, Non-Fibrous, Roofing			
Asbestos Types:			
Other Material: Non-fibrous 100%			
2304250075MB-176 Location: Roof NW / Roof Core / Building I Roof T-O	923041436-176L2	Yes	30% (by CVES) by Thu M. Nguyen on 05/02/23
Analyst Description: Black, Heterogeneous, Fibrous, Roofing Felt			
Asbestos Types: Chrysotile 30.0 %			
Other Material: Non-fibrous 70%			
2304250075MB-177 Location: Roof S / Roof Core / Building I Roof T-O	923041436-177L1	Yes	2% (by CVES) by Thu M. Nguyen on 05/02/23
Analyst Description: Gray/Black, Heterogeneous, Fibrous, Roofing			
Asbestos Types: Chrysotile 2.0 %			
Other Material: Non-fibrous 98%			
2304250075MB-177 Location: Roof S / Roof Core / Building I Roof T-O	923041436-177L2	Yes	30% (by CVES) by Thu M. Nguyen on 05/02/23
Analyst Description: Black, Homogeneous, Fibrous, Roofing Felt			
Asbestos Types: Chrysotile 30.0 %			
Other Material: Non-fibrous 70%			
2304250075MB-178 Location: Roof NE / Roof Core / Building I Roof T-O	923041436-178L1	No	NAD (by CVES) by Thu M. Nguyen on 05/02/23
Analyst Description: Black, Heterogeneous, Fibrous, Roofing			
Asbestos Types:			
Other Material: Fibrous glass 10%, Non-fibrous 90%			
2304250075MB-178 Location: Roof NE / Roof Core / Building I Roof T-O	923041436-178L2	Yes	30% (by CVES) by Thu M. Nguyen on 05/02/23
Analyst Description: Black, Heterogeneous, Fibrous, Roofing Felt			
Asbestos Types: Chrysotile 30.0 %			
Other Material: Non-fibrous 70%			

PLM Bulk Asbestos Report23-Z0172-0075; Buildings B, C, F, G, H, I, J (Report Amended
5/22/2023)

Client No. / HGA	Lab No.	Asbestos Present	Total % Asbestos
2304250075MB-179	923041436-179	Yes	2%
Location: Roof SW Flashing / Roof Mastic / Building I Roof At Roof Jacks And Some Flashings			(by CVES) by Thu M. Nguyen on 05/02/23
Analyst Description: Silver/Black, Homogeneous, Fibrous, Roofing Mastic			
Asbestos Types: Chrysotile 2.0 %			
Other Material: Non-fibrous 98%			
2304250075MB-180	923041436-180	Yes	2%
Location: Roof NE Roof Jack / Roof Mastic / Building I Roof At Roof Jacks And Some Flashings			(by CVES) by Thu M. Nguyen on 05/02/23
Analyst Description: Silver/Black, Homogeneous, Fibrous, Roofing Mastic			
Asbestos Types: Chrysotile 2.0 %			
Other Material: Non-fibrous 98%			
2304250075MB-181	923041436-181	No	NAD
Location: Roof NE Flashing / Roof Mastic / Building I Roof At Roof Jacks And Some Flashings			(by CVES) by Thu M. Nguyen on 05/02/23
Analyst Description: Black, Heterogeneous, Non-Fibrous, Roofing Mastic			
Asbestos Types:			
Other Material: Non-fibrous 100%			
2304250075MB-182	923041436-182	No	NAD
Location: Exterior NW / Texture Coat / Exterior On HVAC Raceway Conduit, Concrete Wall And Wood Window Panel			(by CVES) by Thu M. Nguyen on 05/02/23
Analyst Description: Grey, Heterogeneous, Non-Fibrous, Texture Coat			
Asbestos Types:			
Other Material: Non-fibrous 100%			
2304250075MB-183	923041436-183	No	NAD
Location: Exterior W / Texture Coat / Exterior On HVAC Raceway Conduit, Concrete Wall And Wood Window Panel			(by CVES) by Thu M. Nguyen on 05/02/23
Analyst Description: Gray, Heterogeneous, Non-Fibrous, Texture Coat			
Asbestos Types:			
Other Material: Non-fibrous 100%			
2304250075MB-184	923041436-184	No	NAD
Location: Exterior SW / Texture Coat / Exterior On HVAC Raceway Conduit, Concrete Wall And Wood Window Panel			(by CVES) by Thu M. Nguyen on 05/02/23
Analyst Description: Tan, Heterogeneous, Non-Fibrous, Texture Coat			
Asbestos Types:			
Other Material: Non-fibrous 100%			

PLM Bulk Asbestos Report

23-Z0172-0075; Buildings B, C, F, G, H, I, J (Report Amended 5/22/2023)

Client No. / HGA	Lab No.	Asbestos Present	Total % Asbestos
2304250075MB-185 Location: Exterior NW / Concrete Pad / Exterior West	923041436-185	No	NAD (by CVES) by Thu M. Nguyen on 05/02/23
Analyst Description: Gray, Heterogeneous, Non-Fibrous, Cementitious, Concrete			
Asbestos Types:			
Other Material: Non-fibrous 100%			
2304250075MB-186 Location: Exterior W / Concrete Pad / Exterior West	923041436-186	No	NAD (by CVES) by Thu M. Nguyen on 05/02/23
Analyst Description: Gray, Heterogeneous, Non-Fibrous, Cementitious, Concrete			
Asbestos Types:			
Other Material: Non-fibrous 100%			
2304250075MB-187 Location: Exterior SW / Concrete Pad / Exterior West	923041436-187	No	NAD (by CVES) by Thu M. Nguyen on 05/02/23
Analyst Description: Gray, Heterogeneous, Non-Fibrous, Cementitious, Concrete			
Asbestos Types:			
Other Material: Non-fibrous 100%			
2304250075MB-188 Location: Attic NE Debris / Aircell Pipe Insulation / Building J Attic T-O	923041436-188	Yes	30% (by CVES) by Thu M. Nguyen on 05/02/23
Analyst Description: Beige, Heterogeneous, Fibrous, Air-Cell Insulation			
Asbestos Types: Chrysotile 30.0 %			
Other Material: Non-fibrous 70%			
2304250075MB-189 Location: Attic Center Debris / Aircell Pipe Insulation / Building J Attic T-O	923041436-189	Yes	30% (by CVES) by Thu M. Nguyen on 05/02/23
Analyst Description: Beige, Heterogeneous, Fibrous, Air-Cell Insulation			
Asbestos Types: Chrysotile 30.0 %			
Other Material: Non-fibrous 70%			
2304250075MB-190 Location: Attic SW Pipe / Aircell Pipe Insulation / Building J Attic T-O	923041436-190	Yes	30% (by CVES) by Thu M. Nguyen on 05/02/23
Analyst Description: Beige, Heterogeneous, Fibrous, Air-Cell Insulation			
Asbestos Types: Chrysotile 30.0 %			
Other Material: Non-fibrous 70%			

Client Name: Executive Environmental Services Corporation

PLM Bulk Asbestos Report23-Z0172-0075; Buildings B, C, F, G, H, I, J (Report Amended
5/22/2023)

Client No. / HGA	Lab No.	Asbestos Present	Total % Asbestos
2304250075MB-191 Location: J801 NW / Plaster / Building J Select Walls T-O	923041436-191	No	NAD (by CVES) by Thu M. Nguyen on 05/02/23
Analyst Description: Beige/Gray, Heterogeneous, Non-Fibrous, Cementitious, Plaster			
Asbestos Types:			
Other Material: Non-fibrous 100%			
2304250075MB-192 Location: J801 South / Plaster / Building J Select Walls T-O	923041436-192	No	NAD (by CVES) by Thu M. Nguyen on 05/02/23
Analyst Description: Beige/Gray, Heterogeneous, Non-Fibrous, Cementitious, Plaster			
Asbestos Types:			
Other Material: Non-fibrous 100%			
2304250075MB-193 Location: J802 S / Plaster / Building J Select Walls T-O	923041436-193	No	NAD (by CVES) by Thu M. Nguyen on 05/02/23
Analyst Description: Beige/Gray, Heterogeneous, Non-Fibrous, Cementitious, Plaster			
Asbestos Types:			
Other Material: Non-fibrous 100%			
2304250075MB-194 Location: J803 N / Plaster / Building J Select Walls T-O	923041436-194	No	NAD (by CVES) by Thu M. Nguyen on 05/02/23
Analyst Description: Beige/Gray, Heterogeneous, Non-Fibrous, Cementitious, Plaster			
Asbestos Types:			
Other Material: Non-fibrous 100%			
2304250075MB-195 Location: J804 SW / Plaster / Building J Select Walls T-O	923041436-195	No	NAD (by CVES) by Thu M. Nguyen on 05/02/23
Analyst Description: Beige/Gray, Heterogeneous, Non-Fibrous, Cementitious, Plaster			
Asbestos Types:			
Other Material: Non-fibrous 100%			
2304250075MB-196 Location: J801 NE / Drywall w/o Joint Compound Ceiling / Building J Ceilings T-O	923041436-196	No	NAD (by CVES) by Thu M. Nguyen on 05/02/23
Analyst Description: White/Brown, Heterogeneous, Fibrous, Drywall			
Asbestos Types:			
Other Material: Cellulose 10%, Non-fibrous 90%			

Client Name: Executive Environmental Services Corporation

PLM Bulk Asbestos Report

23-Z0172-0075; Buildings B, C, F, G, H, I, J (Report Amended
5/22/2023)

Client No. / HGA	Lab No.	Asbestos Present	Total % Asbestos
2304250075MB-197 Location: J802 SE / Drywall w/o Joint Compound Ceiling / Building J Ceilings T-O	923041436-197	No	NAD (by CVES) by Thu M. Nguyen on 05/02/23
Analyst Description: White/Brown, Heterogeneous, Fibrous, Drywall			
Asbestos Types:			
Other Material: Cellulose 10%, Non-fibrous 90%			
2304250075MB-198 Location: J804 NE / Drywall w/o Joint Compound Ceiling / Building J Ceilings T-O	923041436-198	No	NAD (by CVES) by Thu M. Nguyen on 05/02/23
Analyst Description: White/Brown, Heterogeneous, Fibrous, Drywall			
Asbestos Types:			
Other Material: Cellulose 10%, Non-fibrous 90%			
2304250075MB-199 Location: J801 NE / 12" x 12" Ceiling Tiles w/Mastic / Building J Ceilings T-O	923041436-199L1	No	NAD (by CVES) by Thu M. Nguyen on 05/02/23
Analyst Description: White/Brown, Heterogeneous, Fibrous, Ceiling Tile			
Asbestos Types:			
Other Material: Cellulose 70%, Non-fibrous 30%			
2304250075MB-199 Location: J801 NE / 12" x 12" Ceiling Tiles w/Mastic / Building J Ceilings T-O	923041436-199L2	No	NAD (by CVES) by Thu M. Nguyen on 05/02/23
Analyst Description: Brown, Homogeneous, Non-Fibrous, Mastic			
Asbestos Types:			
Other Material: Non-fibrous 100%			
2304250075MB-200 Location: J802 SE / 12" x 12" Ceiling Tiles w/Mastic / Building J Ceilings T-O	923041436-200L1	No	NAD (by CVES) by Thu M. Nguyen on 05/02/23
Analyst Description: Brown, Homogeneous, Non-Fibrous, Ceiling Tile			
Asbestos Types:			
Other Material: Non-fibrous 100%			
2304250075MB-200 Location: J802 SE / 12" x 12" Ceiling Tiles w/Mastic / Building J Ceilings T-O	923041436-200L2	No	NAD (by CVES) by Thu M. Nguyen on 05/02/23
Analyst Description: Brown, Homogeneous, Non-Fibrous, Mastic			
Asbestos Types:			
Other Material: Non-fibrous 100%			

Client Name: Executive Environmental Services Corporation

PLM Bulk Asbestos Report

23-Z0172-0075; Buildings B, C, F, G, H, I, J (Report Amended
5/22/2023)

Client No. / HGA	Lab No.	Asbestos Present	Total % Asbestos
2304250075MB-201 Location: J804 NE / 12" x 12" Ceiling Tiles w/ Mastic / Building J Ceilings T-O	923041436-201L1	No	NAD (by CVES) by Thu M. Nguyen on 05/02/23
Analyst Description: White/Brown, Heterogeneous, Fibrous, Ceiling Tile			
Asbestos Types:			
Other Material: Cellulose 80%, Non-fibrous 20%			
2304250075MB-201 Location: J804 NE / 12" x 12" Ceiling Tiles w/ Mastic / Building J Ceilings T-O	923041436-201L2	No	NAD (by CVES) by Thu M. Nguyen on 05/02/23
Analyst Description: Brown, Homogeneous, Non-Fibrous, Mastic			
Asbestos Types:			
Other Material: Non-fibrous 100%			
2304250075MB-202 Location: Roof NW / Roof Core / Roof T-O	923041436-202L1	No	NAD (by CVES) by Thu M. Nguyen on 05/02/23
Analyst Description: Silver/Black, Heterogeneous, Fibrous, Roofing			
Asbestos Types:			
Other Material: Fibrous glass 5%, Non-fibrous 95%			
2304250075MB-202 Location: Roof NW / Roof Core / Roof T-O	923041436-202L2	Yes	15% (by CVES) by Thu M. Nguyen on 05/02/23
Analyst Description: Black, Heterogeneous, Fibrous, Roofing Felt			
Asbestos Types: Chrysotile 15.0 %			
Other Material: Non-fibrous 85%			
2304250075MB-203 Location: Roof S / Roof Core / Roof T-O	923041436-203L1	No	NAD (by CVES) by Thu M. Nguyen on 05/02/23
Analyst Description: Silver/Black, Heterogeneous, Fibrous, Roofing			
Asbestos Types:			
Other Material: Fibrous glass 10%, Non-fibrous 90%			
2304250075MB-203 Location: Roof S / Roof Core / Roof T-O	923041436-203L2	Yes	15% (by CVES) by Thu M. Nguyen on 05/02/23
Analyst Description: Black, Heterogeneous, Fibrous, Roofing Felt			
Asbestos Types: Chrysotile 15.0 %			
Other Material: Non-fibrous 85%			

PLM Bulk Asbestos Report23-Z0172-0075; Buildings B, C, F, G, H, I, J (Report Amended
5/22/2023)

Client No. / HGA	Lab No.	Asbestos Present	Total % Asbestos
2304250075MB-204 Location: Roof NE / Roof Core / Roof T-O	923041436-204L1	No	NAD (by CVES) by Thu M. Nguyen on 05/02/23
Analyst Description: Silver/Black, Heterogeneous, Fibrous, Roofing			
Asbestos Types:			
Other Material: Fibrous glass 5%, Non-fibrous 95%			
2304250075MB-204 Location: Roof NE / Roof Core / Roof T-O	923041436-204L2	Yes	15% (by CVES) by Thu M. Nguyen on 05/02/23
Analyst Description: Black, Heterogeneous, Fibrous, Roofing Felt			
Asbestos Types: Chrysotile 15.0 %			
Other Material: Non-fibrous 85%			
2304250075MB-205 Location: Roof SW Flashing / Roof Mastic / Roof At Some Flashings And Roof Jacks	923041436-205	Yes	2% (by CVES) by Thu M. Nguyen on 05/02/23
Analyst Description: Silver/Black, Heterogeneous, Non-Fibrous, Roofing Mastic			
Asbestos Types: Chrysotile 2.0 %			
Other Material: Non-fibrous 98%			
2304250075MB-206 Location: Roof NE Roof Jack / Roof Mastic / Roof At Some Flashings And Roof Jacks	923041436-206	Yes	2% (by CVES) by Thu M. Nguyen on 05/02/23
Analyst Description: Silver/Black, Homogeneous, Fibrous, Roofing Mastic			
Asbestos Types: Chrysotile 2.0 %			
Other Material: Non-fibrous 98%			
2304250075MB-207 Location: Roof NE Flashing / Roof Mastic / Roof At Some Flashings And Roof Jacks	923041436-207	No	NAD (by CVES) by Thu M. Nguyen on 05/02/23
Analyst Description: Gray/Black, Heterogeneous, Fibrous, Roofing Mastic			
Asbestos Types:			
Other Material: Fibrous glass 5%, Non-fibrous 95%			
2304250075MB-208 Location: Roof NW / Roof Conduit Pads / Roof At Conduit	923041436-208	No	NAD (by CVES) by Thu M. Nguyen on 05/02/23
Analyst Description: Gray/Black, Heterogeneous, Non-Fibrous, Cementitious, Roofing Pad			
Asbestos Types:			
Other Material: Fibrous glass 5%, Non-fibrous 95%			

Client Name: Executive Environmental Services Corporation

PLM Bulk Asbestos Report23-Z0172-0075; Buildings B, C, F, G, H, I, J (Report Amended
5/22/2023)

Client No. / HGA	Lab No.	Asbestos Present	Total % Asbestos
2304250075MB-209 Location: Roof N / Roof Conduit Pads / Roof At Conduit	923041436-209	No	NAD (by CVES) by Thu M. Nguyen on 05/02/23
Analyst Description: Gray/Black, Heterogeneous, Fibrous, Roofing Pad			
Asbestos Types:			
Other Material: Fibrous glass 5%, Non-fibrous 95%			
2304250075MB-210 Location: Roof NE / Roof Conduit Pads / Roof At Conduit	923041436-210	No	NAD (by CVES) by Thu M. Nguyen on 05/02/23
Analyst Description: Gray/Black, Heterogeneous, Fibrous, Roofing Pad			
Asbestos Types:			
Other Material: Fibrous glass 5%, Non-fibrous 95%			
2304250075MB-211 Location: Exterior SW / Texture Coat / Exterior on HVAC Raceway, Conduit, Concrete Wall, And Wood Window Panel	923041436-211	No	NAD (by CVES) by Thu M. Nguyen on 05/02/23
Analyst Description: Gray, Heterogeneous, Non-Fibrous, Texture Coat			
Asbestos Types:			
Other Material: Non-fibrous 100%			
2304250075MB-212 Location: Exterior S / Texture Coat / Exterior on HVAC Raceway, Conduit, Concrete Wall, And Wood Window Panel	923041436-212	No	NAD (by CVES) by Thu M. Nguyen on 05/02/23
Analyst Description: Gray, Heterogeneous, Non-Fibrous, Texture Coat			
Asbestos Types:			
Other Material: Non-fibrous 100%			
2304250075MB-213 Location: Exterior SE / Texture Coat / Exterior on HVAC Raceway, Conduit, Concrete Wall, And Wood Window Panel	923041436-213	No	NAD (by CVES) by Thu M. Nguyen on 05/02/23
Analyst Description: Tan, Heterogeneous, Fibrous, Texture Coat			
Asbestos Types:			
Other Material: Non-fibrous 100%			
2304250075MB-214 Location: Exterior SW / Concrete Pads / Exterior South	923041436-214	No	NAD (by CVES) by Thu M. Nguyen on 05/02/23
Analyst Description: Gray, Heterogeneous, Non-Fibrous, Cementitious, Concrete			
Asbestos Types:			
Other Material: Non-fibrous 100%			

See Reporting notes on last page

Client Name: Executive Environmental Services Corporation

PLM Bulk Asbestos Report

23-Z0172-0075; Buildings B, C, F, G, H, I, J (Report Amended 5/22/2023)

Client No. / HGA	Lab No.	Asbestos Present	Total % Asbestos
2304250075MB-215 Location: Exterior S / Concrete Pads / Exterior South	923041436-215	No	NAD (by CVES) by Thu M. Nguyen on 05/02/23
Analyst Description: Gray, Heterogeneous, Non-Fibrous, Cementitious, Concrete Pads			
Asbestos Types:			
Other Material: Non-fibrous 100%			
2304250075MB-216 Location: Exterior SE / Concrete Pads / Exterior South	923041436-216	No	NAD (by CVES) by Thu M. Nguyen on 05/02/23
Analyst Description: Gray, Heterogeneous, Non-Fibrous, Cementitious, Concrete Pads			
Asbestos Types:			
Other Material: Non-fibrous 100%			

Reporting Notes:

Analyzed by: Lateef McIntosh
Date: 4/29/2023



Reviewed by: Lateef McIntosh



*NAD = no asbestos detected; Detection Limit <1%; Reporting Limits: CVES = 1%, 400 Pt Ct = 0.25%, 1000 Pt Ct = 0.1%; NA = not analyzed; NA/PS = not analyzed / positive stop; NVA = No Visible Asbestos; PLM (polarized light microscopy) Bulk Asbestos Analysis by EPA 600/R-93/116, including requirements for EPA 600/M4-82-020 per 40 CFR 763 (NVLAP Lab #200346-0); Note: PLM is not consistently reliable in detecting asbestos in floor coverings and similar NOB materials. TEM is currently the only method that can be used to determine if this material can be considered or treated as non-asbestos-containing in New York State (also see EPA Advisory for floor tile, FR 59, 146, 38970, 8/1/94). NIST Accreditation requirements mandate that this report must not be reproduced except in full with the approval of the laboratory. This PLM report relates ONLY to the items tested.

Project #: 23-Z0172-0075
Sampled by: Matt Barna

Sample Date: 04/19/2023
Page 1 **of** 40

Building Name: Building B

The receiving Laboratory is required to complete the following:
 1. All invoices are to be sent to: 310 E. Foothill Blvd., Suite 200, Arcadia, CA 91006 with a copy of the lab report.
 2. Analyze all samples by PLM by EPA 600/R-93/116.
 3. ~~Stop analysis of homogeneous groups at first positive that is greater than or equal to 1.0% - MB~~

Optional items to be completed by the laboratory (if check marked): Email Report to: Info@execenv.com Other: Yvialeana@execenv.com, 923041436
 US Mail Report to: Originating office check marked above Other:
 Alternate billing address:

Sample No.:	Sample Location - Include Room information where appropriate	Material Description	Homogeneous Location	No.	Quantity	Percent Damaged
-1	Mechanical attic center	Brown Cloth Vibration	Mechanical Attic on blower ductwork	1	2ea	0
-2	Mechanical attic center	Damper		1	1	1
-3	Mechanical attic center			1	1	1
-4	Mechanical attic West	Block Rubberized Vibration	Mechanical Attic on ducts near	2	2ea	0
-5	Mechanical attic west	Damper	heater Units	1	1	1
-6	Mechanical attic east			1	1	1

Routine (5 Days) Working hours
 RUSH (surcharges may apply) Circle 6 24 48 hours
One 3 to 3 days

Project #: 23-Z0172-0075
Sampled by: Matt Barma

Site Zip Code: 91723
Sample Date: 04/19/2023
Page 7 of 40

The receiving Laboratory is required to complete the following:

4. All invoices are to be sent to: 310 E. Foothill Blvd., Suite 200, Arcadia, CA 91006 with a copy of the lab report.
5. Unsigned and reports: marked draft are unacceptable.
6. Report to the attention of: Yessenia Galeana, Phone: (562) 889-1327

Building Name: Building B

Optional items to be completed by the laboratory (if check marked): Email Report to: info@execenv.com Other: ysaleana@execenv.com; 923041436
 US Mail Report to: Originating office check marked above Other:
 Alternate billing address:

Sample No.:	Sample Location - Include Room information where appropriate	Material Description	Homogeneous Location	No.	Quantity	Percent Damaged
-7	Mechanical attic center	Duct Hatch Gasket w/Mastic	Mechanical Attic on ductwork	3	3 ea	0
-8	Mechanical attic north	I	access hatches	1	1	1
-9	Mechanical attic east	I		1	1	1
-10	Mechanical attic SW	Duct Mastic	Mechanical attic on some duct seams	4	6 ea	0
-11	Mechanical attic SW	I		1	1	1
-12	Mechanical attic SE	I		1	1	1

Project #: 23-Z0172-0075
Sampled by: Matt Barna

Project #: 23-Z0172-0075
Sampled by: Matt Barna

Site Zip Code: 91723
Sample Date: 04/19/2023

Building Name: Building B
Page 3 **of** 30

The receiving Laboratory is required to complete the following:

- All invoices are to be sent to: 310 E. Foothill Blvd., Suite 200, Arcadia, CA 91006 with a copy of the lab report.
- Analyze all samples by PLM by EPA 600/R-93/116.
- ~~Step analysis of homogeneous groups at first positive that is greater than or equal to 1.0% - MBS~~

4. All lab reports and invoices are to contain the Project Number from above.
5. Unsigned and reports marked draft are unacceptable.
6. Report to the attention of: Yesenia Galeana. Phone: (662) 889-1327

Optional items to be completed by the laboratory (if check marked): Email Report to: info@execenv.com Other: y.galeana@execenv.com; 922041436

US Mail Report to: Originating office check marked above Other: Alternate billing address:

Sample No.:	Sample Location - Include Room information where appropriate	Material Description	Homogeneous Location	No.	Quantity	Percent Damaged
-13	Mechanical Attic NW Ceiling	Rough Plaster	Walls and Ceilings: Mechanical Attic	5	1500 SF	0
-14	Mechanical Attic S wall		Electrical B202 Water Heater B207	1		1
-15	Electrical B202 wall			1		1
-16	Water Heater B207 SE Ceiling			1		1
-17	Water Heater B207 S wall			1		1

Prefix: 2304 0075MB

Notes:
Matt Barna 10/27/23 (630AM)
Glenda Wilson 4-27-23 11:00
Glenda Wilson 4-27-23 11:00

Released By, Date, & Time: _____
Received By, Date, & Time: _____

Rev. 1/19 ©Copyright 2019 All Rights Reserved Form: AL-006PLM

Routine (5 Days)
 RUSH (surcharges may apply)
Circle 6 24 48 hours hours hours
One hours hours hours

Project #: 23-Z0172-0075
Sampled by: Matt Barna

Site Zip Code: 91723
Sample Date: 09/19/2023
Page of 4/0

Building Name: Building B

The receiving Laboratory is required to complete the following:

- All invoices are to be sent to: 310 E. Foothill Blvd., Suite 200, Arcadia, CA 91006 with a copy of the lab report.
- Analyze all samples by PLM by EPA 300/R-93/116.
- Stop analysis of homogeneous groups at first positive that is greater than or equal to 1.0% - MS

Optional items to be completed by the laboratory (if check marked): Email Report to: info@execenv.com Other: y.galeana@execenv.com; 923041136

US Mail Report to: Originating office check marked above Other: Alternate billing address:

Sample No.:	Sample Location - Include Room information where appropriate	Material Description	Homogeneous Location	No.	Quantity	Percent Damaged
-18	MPR B204 W Column	Plaster with	MPR B204 Throughout MPR (Building B)	6	6000 SF	0
-19	MPR B204 NE wall	Finish coating	except mechanical ADR, Electrical B202 and water Header B204	1		
-20	Storage B203 SE wall	(walls and ceilings)				
-21	Hall B206 NW wall					
-22	Kitchen B208 NE wall ceiling					
-23	Custodian B214 SW ceiling					
-24	Vestibule B216A SW wall					

Prefix: 2304 / 9 0075MB

Notes:

Received By, Date: _____ & Time: _____

Released By, Date: _____ & Time: _____

Glenda Urran 4-27-23 11:00

Glenda Urran 4-27-23 11:00

EXECUTIVE ENVIRONMENTAL
HEALTH & SAFETY SIMPLIFIED

Industrial Hygiene Laboratory Submittal
Asbestos -- PLM
CHAIN OF CUSTODY

Originating Office
 310 E. Foothill Blvd., Suite 200
Arcadia, CA 91006
Phone: 626.441.7050
Fax: 626.441.0016

Lab Submitted to:
 AmeriSci
 EMLab (Glendale)
 LA Testing

Routine (5 Days) Working
 RUSH (surcharges may apply)
Circle 6 hours 24 hours 48 hours 6 to 8 days

Project #: 23-Z0172-0075

Sampled by: Matt Barna

Site Zip Code: 91723

Sample Date: 04/11/2023

Page 5 of 40

The receiving Laboratory is required to complete the following:

- All invoices are to be sent to: 310 E. Foothill Blvd., Suite 200, Arcadia, CA 91006 with a copy of the lab report.
- Analyze all samples by PLM by EPA 600/R-93/116.
- ~~Stop analysis of homogeneous groups at first positive that is greater than or equal to 0.9% - MB~~

Optional items to be completed by the laboratory (if check marked): Email Report to: info@execenv.com Other: ygaleana@execenv.com; 923041436

US Mail Report to: Originating office check marked above Other:

Alternate billing address:

Sample No.:	Sample Location - Include Room information where appropriate	Material Description	Homogeneous Location	No.	Quantity	Percent Damaged
-25	MPR B204 N wall	Drywall w/o	Office B201, Storage B203	7	5000 SF	0
-26	MPR B204 N ceiling	Joint compound	MPR B204, vestibule	1	1	1
-27	MPR B204 SW ceiling	1	B217	1	1	1
-28	MPR B204 NW ceiling	12" x 12" ceiling Tiles w/ mastic	Office B201, Storage B203, MPR B204, vestibule	8	4000 SF	0
-29	MPR B204 N ceiling	1	B217	1	1	1
-30	MPR B204 SW ceiling	1		1	1	1

Prefix: 2304 19 0075MB

Notes:
04/27/23 Matt Barna 1036AM
Glenda Wilson 4.27.23e 11:00
Blade for

Released By, Date, & Time: _____
Received By, Date, & Time: _____

Form: AL-006PLM Rev. 1/19 ©Copyright 2019 All Rights Reserved



Executive Environmental
HEALTH & SAFETY SIMPLIFIED

Industrial Hygiene Laboratory Submittal
Asbestos -- PLM
CHAIN OF CUSTODY

Originating Office
310 E. Foothill Blvd., Suite 200
Arcadia, CA 91006
Phone: 626.441.7050
Fax: 626.441.0016

Lab Submitted to:
 AmeriSci
 EMLab (Glendale)
 LA Testing

Project #:
23-Z0172-0075

Sampled by:
Matt Barna

Site Zip Code:
91723

Sample Date:
04/19/2023

Page 6 **of** 10

The receiving Laboratory is required to complete the following:

- All invoices are to be sent to: 310 E. Foothill Blvd., Suite 200, Arcadia, CA 91006 with a copy of the lab report.
- Analyze all samples by PLM by EPA 500/R-93/116.
- ~~Stop analysis of homogeneous groups at first positive that is greater than or equal to 1.0% *MSB*~~

Optional items to be completed by the laboratory (if check marked): Email Report to: Info@execenv.com Other: y.galeana@execenv.com, 927041430

US Mail Report to: Originating office check marked above Other: Alternate billing address:

Sample No.:	Sample Location - Include Room information where appropriate	Material Description	Homogeneous Location	No.	Quantity	Percent Damaged
-31	MPR B204 N wall	2'x2' wall Tiles w/ Mastic	MPR B204 walls	9	12005F	0
-32	MPR B204 NE wall			1		
-33	MPR B204 SE wall			1		
-34	MPR B204 NW wall	1'x1' wall Tile with mastic (screed in)	MPR B204 walls patched areas	10	505F	0
-35	MPR B204 SW wall			1		
-36	MPR B204 SE wall			1		

Notes:
 Received By: Date: 4/27/23 6:30 AM
 Released By: Date: 4/27/23 11:00
 Received By: Date: 4/27/23 11:00
 Released By: Date: 4/27/23 11:00
 Matt Barna
 Glenda Wilson
 Glenda Jimm
 Prefix: 2304
 19 0075MB

EXECUTIVE ENVIRONMENTAL
HEALTH & SAFETY SIMPLIFIED

Industrial Hygiene Laboratory Submittal
Asbestos -- PLM
CHAIN OF CUSTODY

Originating Office
 310 E. Foothill Blvd., Suite 200
Arcadia, CA 91006
Phone: 626.441.7050
Fax: 626.441.0016

Lab Submitted to:
 AmeriSci
 EMLab (Glendale)
 LA Testing

Sampled by:
Matt Barna

Project #:
23-Z0172-0075

Sample Date:
04/20/2023

Page 7 of 10

Routine (5 Days)
 RUSH (surcharges may apply)
Circle 6 hours 24 hours 48 hours (3 to 5 days)

Building Name: Building B

Site Zip Code: 91723

The receiving Laboratory is required to complete the following:

- All invoices are to be sent to: 310 E. Foothill Blvd., Suite 200, Arcadia, CA 91006 with a copy of the lab report.
- Analyze all samples by PLM by EPA 600/R-93/116.
- ~~Stop analysis of homogeneous groups at first positive that is greater than or equal to 1.0% - MMB~~

Optional Items to be completed by the laboratory (if check marked): Email Report to: Info@execenv.com Other: ygaleana@execenv.com
 US Mail Report to: Originating office check marked above Other:
 Alternate billing address: 023041M36

Sample No.:	Sample Location - Include Room information where appropriate	Material Description	Homogeneous Location	No.	Quantity	Percent Damaged
-37	MRR B204 E wall	Fiberboard w/ Mastix	MRR B204 E & W walls	19	700sf	0
-38	MRR B204 W wall			1		1
-39	MRR B204 NE wall			1		1

Notes:

Released By: Date: 4/27/23 10:30 AM
 Received By: Date: 4/27/23 11:00
 Released By: Date: & Time:

Prefix: 2304 0075MB

Rev. 1/19 ©Copyright: 2019 All Rights Reserved Form: AL-006PLM



Industrial Hygiene Laboratory Submittal
Asbestos -- PLM
CHAIN OF CUSTODY

Originating Office
 310 E. Foothill Blvd., Suite 200
 Arcadia, CA 91006
 Phone: 626.441.7050
 Fax: 326.441.0016

Lab Submitted to:
 AmeriSci
 EMLab (Glendale)
 LA Testing

Routine (5 Days)
 RUSH (surcharges may apply)
 Circle 6 24 48 hours hours hours
 One 3 to 5 days

Project #: 23-20172-0075
 Sampled by: Matt Barna

Site Zip Code: 91723
 Sample Date: 04/20/2023
 Page 40 of 40

The receiving Laboratory is required to complete the following:

- All invoices are to be sent to: 310 E. Foothill Blvd., Suite 200, Arcadia, CA 91006 with a copy of the lab report.
- Analyze all samples by PLM by EPA 600/R-93/116.
- Step analysis of homogeneous groups at first positive that is greater than or equal to 1.0% MB

Building Name: Building B

Optional items to be completed by the laboratory (if check marked):
 Email Report to: info@execenv.com
 Alternate billing address:
 US Mail Report to: Originating office check marked above
 Other:
 Other: y.galeana@execenv.com; 223041434

Sample No.:	Sample Location - Include Room information where appropriate	Material Description	Mechanical Location	Homogeneous Location	No.	Quantity	Percent Damaged
-40	Roof N Near vent	Roof Core	Attic Roof		10	250sf	0
-41	Roof SW				1		1
-42	Roof E at parapet		Mechanical		1		1
-43	Roof SE Flashing	Roof Mastic	Attic Roof		18	85sf	0
-44	Roof N at vent				1		1
-45	Roof E Flashing				1		1

Prefix: 2304 20
 0075MB

Released By, Date:
 Received By, Date:
 & Time:

Notes:
 Matt Barna 4/27/23 10:30AM
 Glenda Wilson 4-27-23 @ 11:00
 Glenda from

Released By, Date:
 & Time:



Industrial Hygiene Laboratory Submittal
Asbestos -- PLM
CHAIN OF CUSTODY

Originating Office
 310 E. Foothill Blvd., Suite 200
 Arcadia, CA 91006
 Phone: 626.441.7050
 Fax: 626.441.0016

Lab Submitted to:
 AmeriSci
 EMLab (Glendale)
 LA Testing

Project #:
23-Z0172-0075

Sampled by:
Matt Barna

Routine (5 Days)
 RUSH (surcharges may apply)
 Circle 6 hours 24 hours 48 hours 72 hours
 3 to 5 days

Sample Date:
04/20/2023

Page of
9 of 40

The receiving Laboratory is required to complete the following:

- All invoices are to be sent to: 310 E. Foothill Blvd., Suite 200, Arcadia, CA 91006 with a copy of the lab report.
- Analyze all samples by PLM by EPA 600/R-93/116.
- ~~Step analysis of homogeneous groups at first positive that is greater than or equal to 1.0% m/b~~

Building Name: Building B

- All lab reports and invoices are to contain the Project Number from above.
- Unsigned and reports marked draft are unacceptable.
- Report to the attention of: Yesenia Galeana, Phone: (562) 889-1327

Optional Items to be completed by the laboratory (if check marked): Email Report to: info@execenv.com Other: ygaleana@execenv.com; 923041436


US Mail Report to: Originating office check marked above Other: Alternate billing address:

Sample No.:	Sample Location - Include Room information where appropriate	Material Description	Mechanical Location	Homogeneous	No.	Quantity	Percent Damaged
-46	Roof Center	Conduit Pad	Mechanical Attic Roof		14	2sf	0
-47	Roof Center				1	1	1
-48	Roof Center		Mechanical Attic Roof		1	1	1
-49	Roof SW	Flashing Tape			13	4sf	0
-50	Roof NE				1	1	1
-51	Roof NE				1	1	1

Prefix: 2304
20
0075MB

Notes:

Received By, Date, & Time: _____
 Released By, Date, & Time: _____
 Glenda Winton 4-27-23 11:00
 Glenda for



EXECUTIVE ENVIRONMENTAL
HEALTH & SAFETY SIMPLIFIED

Industrial Hygiene Laboratory Submittal
Asbestos -- PLM
CHAIN OF CUSTODY

Originating Office
 310 E. Foothill Blvd., Suite 200
 Arcadia, CA 91006
 Phone: 626.441.7050
 Fax: 626.441.0016

Lab Submitted to:
 AmeriSci
 EMLab (Glendale)
 LA Testing

Routine (5 Days)
 RUSH (surcharges may apply)
 Circle 6 hours
 24 hours
 48 hours
 3 to 5 days

Project #: 23-20172-0075
 Sampled by: Matt Barna

Site Zip Code: 91723
 Sample Date: 03/26/2023
 Page of 10

Building Name: Building C

The receiving Laboratory is required to complete the following:

- All invoices are to be sent to: 310 E. Foothill Blvd., Suite 200, Arcadia, CA 91006 with a copy of the lab report.
- Analyze all samples by PLM by EPA 600/R-93/116.
- Stop analysis of homogeneous groups at first positive that is greater than or equal to 1.0% *MMS*

Optional items to be completed by the laboratory (if check marked):
 Email Report to: Info@execenv.com
 Other: Yvareana@execenv.com; 229041436
 US Mail Report to: Originating office check marked above
 Other:
 Alternate billing address:

Sample No.	Sample Location - Include Room information where appropriate	Material Description	Homogeneous Location	No.	Quantity	Percent Damaged
-52	Attic Center W	Aircell Pipe W	Attic, above Restrooms	16	50LF (5050)	0
-53	Attic Center	Insulation	(Intact) (No Debris)	1	1	1
-54	Attic center E	1	1	1	1	1
-55	Attic Center W	Pipe Elbow Insulation	Attic above Restrooms	19	106A	0
-56	Attic Center	1	1	1	1	1
-57	Attic center E	1	1	1	1	1

Prefix: 2304 2 0075MB

Notes:

Received By, Date, & Time: 4/27/23 Matt Barna 10:30am
 Released By, Date, & Time: Elvinda Upton 4.27.23 11:00
 Received By, Date, & Time: Elvinda Upton 4.27.23 11:00
 Released By, Date, & Time:

Rev. 1/19 ©Copyright 2019 All Rights Reserved Form: AL-006PLM



Industrial Hygiene Laboratory Submittal Asbestos -- PLM CHAIN OF CUSTODY

Originating Office: 310 E. Foothill Blvd., Suite 200 Arcadia, CA 91006 Phone: 626.441.7050 Fax: 626.441.0016

Lab Submitted to: AmeriSci [checked] EMLab (Glendale) [unchecked] LA Testing [unchecked]

Routine (5 Days) Working hours One Circle 6 24 48 hours hours hours (3 to 5 days)

Project #: 23-Z0172-0075

Sampled by: Matt Barna

Site Zip Code: 91723

Sample Date: 04/21/2023 Page of 11/10

The receiving Laboratory is required to complete the following:

- 1. All invoices are to be sent to: 310 E. Foothill Blvd., Suite 200, Arcadia, CA 91006 with a copy of the lab report.
2. Analyze all samples by PLM by EPA 600/R-93/116.
3. Stop analysis of homogeneous groups at first positive that is greater than or equal to 4.0% MMB

Building Name: Building C

- 4. All lab reports and invoices are to contain the Project Number from above.
5. Unsigned and reports marked draft are unacceptable.
6. Report to the attention of: Yesenia Galeana, Phone: (562) 889-1327

Optional items to be completed by the laboratory (if check marked): [checked] Email Report to: info@execenv.com [checked] Other: ygaleana@execenv.com; 2304 M36

[checked] US Mail Report to: [checked] Originating office check marked above [unchecked] Other: [unchecked] Alternate billing address:

Table with columns: Sample No., Sample Location - Include Room information where appropriate, Material Description, Homogeneous Location, No., Quantity, Percent Damaged. Rows include samples -58, -59, -60, -61, -62 with descriptions like 'Plaster' and 'Building C walls and ceilings T-0'.

Prefix: 2304 2/0075MB

Released By, Date, & Time

Matt Barna 4/27/23 10:30 AM

Received By, Date, & Time

Glenda Wron 4/27/23 11:00

Released By, Date, & Time



Industrial Hygiene Laboratory Submittal
Asbestos -- PLM
CHAIN OF CUSTODY

Originating Office
 310 E. Foothill Blvd., Suite 200
 Arcadia, CA 91006
 Phone: 626.441.7050
 Fax: 626.441.0016

Lab Submitted to:
 AmeriSci
 EMLab (Glendale)
 LA Testing

Routine (5 Days)
 RUSH (surcharges may apply)
 Circle 6 hours 24 hours 48 hours (3 to 5 days)
 One hours hours hours days

Project #:
 23-Z0172-0075

Sampled by:
 Matt Barna

Site Zip Code:
 91723

Sample Date:
 04/21/2023

Page of
 12/40

The receiving Laboratory is required to complete the following:

- All invoices are to be sent to: 310 E. Foothill Blvd., Suite 200, Arcadia, CA 91006 with a copy of the lab report.
- Analyze all samples by PLM by EPA 300/R-93/116.
- ~~Stop analysis of homogeneous groups at first positive that is greater than or equal to 1.0% - MSB~~

Building Name: Building C

- All lab reports and invoices are to contain the Project Number from above.
- Unsigned and reports marked draft are unacceptable.
- Report to the attention of: Yessenia Galeana, Phone: (562) 889-1327

Optional Items to be completed by the laboratory (if check marked): Email Report to: Info@execenv.com Other: y.galeana@execenv.com;

US Mail Report to: Originating office check marked above Other: Alternate billing address: 92304 1436

Sample No.:	Sample Location - Include Room information where appropriate	Material Description	Homogeneous Location	No.	Quantity	Percent Damaged
-63	C101 NE	Drywall Ceiling	Ceilings: C101, C108	19	2000SF	0
-64	C108 SW	W/O Joint compound		1	1	1
-65	C108 NE	I		1	1	1
-66	C101 NE	1" x 1" Ceiling Tile w/ mastic	Ceilings: C101, C108	20	2000SF	0
-67	C101 SW	I		1	1	1
-68	C108 NE	I		1	1	1

Prefix: 2304
 21
 0075MB

Notes:
 Released By: Date: Matt Barna 4/27/23 1036AM

Received By: Date: Glenda Urzon 4/27/23 11:00

Released By: Date: & Time:



Executive Environmental
HEALTH & SAFETY SIMPLIFIED

Industrial Hygiene Laboratory Submittal
Asbestos -- PLM
CHAIN OF CUSTODY

Originating Office
310 E. Foothill Blvd., Suite 200
Arcadia, CA 91006
Phone: 626.441.7050
Fax: 626.441.0016

Lab Submitted to:
 AmeriSci
 EMI Lab (Glendale)
 LA Testing

Project #:
23-Z0172-0075

Sampled by:
Matt Barna

Site Zip Code:
91723

Sample Date:
04/21/2023

Building Name:
Building C

Project #:
23-Z0172-0075

Sampled by:
Matt Barna

Site Zip Code:
91723

The receiving Laboratory is required to complete the following:

- All invoices are to be sent to: 310 E. Foothill Blvd.; Suite 200, Arcadia, CA 91006 with a copy of the lab report.
- Analyze all samples by PLM by EPA 300/R-93/116.
- ~~Step analysis of homogeneous groups at first positive that is greater than or equal to 1.0% - NAB~~

Optional items to be completed by the laboratory (if check marked): Email Report to: info@execenv.com Other: yaleana@execenv.com; US Mail Report to: Originating office check marked above Other: 623041436

US Mail Report to: Originating office check marked above Other: 623041436

Sample No.:	Sample Location - Include Room information where appropriate	Material Description	Homogeneous Location	No.	Quantity	Percent Damaged
-69	Roof NE	Roof Core	T-0 Roof	21	4400 ⁵⁴	0
-70	Roof Center	I		1	I	I
-71	Roof SW	I		1	I	I
-72	Roof NE Flashing	Roof Mastic	T-0 Roof at Roof Joints and some Flashings	22	1056	0
-73	Roof Center Roof Joint	I		1	I	I
-74	Roof SW Flashing	I		1	I	I

Prefix: 2304 21 0075MB

Notes:
Matt Barna 4/27/23 10:30am
Glenda Juan 4.27.23 11:00
Glenda Juan

Released By: Date: & Time: 4/27/23 10:30am
Received By: Date: & Time: 4/27/23 11:00

Released By: Date: & Time: 4/27/23 11:00



Industrial Hygiene Laboratory Submittal
Asbestos - PLM
CHAIN OF CUSTODY

Originating Office
 310 E. Foothill Blvd., Suite 200
 Arcadia, CA 91006
 Phone: 626.441.7050
 Fax: 626.441.0016

Lab Submitted to:
 AmerSci
 EMLab (Glendale)
 LA Testing

Routine (5 Days)
 Working hours
 RUSH (surcharges may apply) 24 hours
 Circle 6 hours 24 hours 48 hours 72 hours 96 hours 120 hours

Project #: 23-Z0172-0075
Sampled by: Matt Barna

Site Zip Code: 91723
Sample Date: 04/21/2023
 Page 14 of 10

The receiving Laboratory is required to complete the following:

- All invoices are to be sent to: 310 E. Foothill Blvd., Suite 200, Arcadia, CA 91006 with a copy of the lab report.
- Analyze all samples by PLM by EPA 800/R-93/116.
- Stop analysis of homogeneous groups at first positive that is greater than or equal to 1.0% - *MIB*

Building Name: Building C

Optional items to be completed by the laboratory (if check marked): Email Report to: info@execenv.com Other: ygaleana@execenv.com

US Mail Report to: Originating office check marked above Other: Alternate billing address: 02204 M30

Sample No.:	Sample Location - Include Room Information where appropriate:	Material Description	Homogeneous Location	No.	Quantity	Percent Damaged
-75	Exterior NW	Texture Coat	Building C Exterior on wood panels	23	50SF	0
-76	Exterior NW	I	concrete and HVAC conduit	1	1	1
-77	Exterior SW	I	I	1	1	1
-78	Exterior NW	Concrete panels	Building C Exterior	24	50SF	0
-79	Exterior NW	panels	I	1	1	1
-80	Exterior SW	I	I	1	1	1

Prefix: 2304
 0075MB
 2

Notes:
 Matt Barna 4/27/23 (130AM)
 Glenda Wron Yfatzzell: a
 Released By Date & Time
 Received By Date & Time
 Released By Date & Time



Industrial Hygiene Laboratory Submittal
Asbestos -- PLM
CHAIN OF CUSTODY

Originating Office
 310 E. Foothill Blvd., Suite 200
 Arcadia, CA 91006
 Phone: 626.441.7050
 Fax: 626.441.0016

Lab Submitted to:
 AmeriSci
 EMLab (Glendale)
 LA Testing

Routine (5 Days)
 RUSH (surcharges may apply)
 Circle One: 6 hours, 24 hours, 48 hours, 3 to 5 days

Project #:
23-20172-0075

Sampled by:
Matt Barna

Site Zip Code: 91723
Sample Date: 04/12/2023
Page 1540 **cf**

The receiving Laboratory is required to complete the following:

- All invoices are to be sent to: 310 E. Foothill Blvd., Suite 200, Arcadia, CA 91006 with a copy of the lab report.
- Analyze all samples by PLM by EPA 600/R-93/116.
- Stop analysis of homogeneous groups at first positive that is greater than or equal to 4.0% *MS*

Building Name: Building F

Optional items to be completed by the laboratory (if check marked): Email Report to: Info@execenv.com Other: yf.aleana@execenv.com

US Mail Report to: Originating office check marked above Other: Alternate billing address: *023041136*

Sample No.:	Sample Location - Include Room information where appropriate	Material Description	Homogeneous Location	No.	Quantity	Percent Damaged
-81	F4031 NE wall	plaster	Classroom Building F T-0 classroom walls	25	200g	0
-82	F4021 SW wall					
-83	F402 NE wall					
-84	F402 SW wall					
-85	F403 SE wall					

Prefix: 2304 24 0075MB

Notes:
 Released By: Date
 Received By: Date
 Released By: Date & Time

Matt Barna 4/27/23 1030AM
 Gerda Urban 4/27/23 11:00
 Gerda Urban 4/27/23 11:00

EXECUTIVE ENVIRONMENTAL
INDUSTRIAL HYGIENE LABORATORY SUBMITTAL
 Asbestos - PLM
 CHAIN OF CUSTODY

Project #: 23-20172-0075
 Sampled by: Matt Barna
 Site Zip Code: 91723
 Sample Date: 04/24/2023
 Page of 16

Building Name: BUILD F
 All lab reports and invoices are to contain the Project Number from above.
 Unsigned and reports marked draft are unacceptable.
 Report to the attention of: Yesenia Galeana, Phone: (562) 889-1327

Optional items to be completed by the laboratory (if check marked):
 Email Report to: info@execenv.com
 Alternate billing address: 022041M36

Sample No.:	Sample Location - Include Room information where appropriate	Material Description	Homogeneous Location	No.	Quantity	Percent Damaged
-86	F401 NE	Drywall w/o	Building F Ceiling F-0	26	2800 SF	0
-87	F402 NE	Joint Compound		1	1	1
-88	F403 SW			1	1	1
-89	F401 NE	1'x1' Ceiling Tiles by	Building F Ceiling F-0	27	2900 SF	0
-90	F402 NE	Mastec		1	1	1
-91	F403 SW			1	1	1

Originating Office: 310 E. Foothill Blvd., Suite 200 Arcadia, CA 91006
 Phone: 626.441.7050 Fax: 626.441.0016
 Lab Submitted to: AmeriSci EMLab (Glendale) LA Testing

Industrial Hygiene Laboratory Submittal Asbestos - PLM CHAIN OF CUSTODY

Project #: 23-20172-0075
 Sampled by: Matt Barna

Building Name: BUILD F
 All lab reports and invoices are to contain the Project Number from above.
 Unsigned and reports marked draft are unacceptable.
 Report to the attention of: Yesenia Galeana, Phone: (562) 889-1327

Optional items to be completed by the laboratory (if check marked):
 Email Report to: info@execenv.com
 Alternate billing address: 022041M36

Prefix: 2304 0075MB

Sample No.:	Sample Location - Include Room information where appropriate	Material Description	Homogeneous Location	No.	Quantity	Percent Damaged
-86	F401 NE	Drywall w/o	Building F Ceiling F-0	26	2800 SF	0
-87	F402 NE	Joint Compound		1	1	1
-88	F403 SW			1	1	1
-89	F401 NE	1'x1' Ceiling Tiles by	Building F Ceiling F-0	27	2900 SF	0
-90	F402 NE	Mastec		1	1	1
-91	F403 SW			1	1	1

Notes: Matt Barna 4/27/23 10:30AM
 Released By: Date: 4/27/23 11:00
 Received By: Date: 4/27/23 11:00
 Released By: Date: 4/27/23 11:00

Routine (5 Days) Working One hours 24 hours 48 hours 3 to 5 days
 RUSH (surcharges may apply) Circle 6 hours 24 hours 48 hours 3 to 5 days
 Project #: 23-Z0172-0075
 Sampled by: Matt Barna
 Site Zip Code: 91723
 Sample Date: 04/24/2023
 Page 17 of 40

Building Name: Buildings F

The receiving Laboratory is required to complete the following:

- All invoices are to be sent to: 310 E. Foothill Blvd., Suite 200, Arcadia, CA 91006 with a copy of the lab report.
- Analyze all samples by PLM by EPA 600/R-93/116.
- Step analysis of homogeneous groups at first positive that is greater than or equal to 4.0% - *MS*

US Mail Report to: Originating office check marked above Other:
 Info@execenv.com Email Report to: Alternate billing address:
 Other: ygaleana@execenv.com; 023041436

Sample No.:	Sample Location - Include Room information where appropriate	Material Description	Homogeneous Location	No.	Quantity	Percent Damaged
-92	Attic S Debris	Ascell Pipe	T-0 Attic	28	12 SF Debris	100%
-93	Attic Center Debris	Insulation		1	2900 SF Contaminated	
-94	Attic N Debris			1	Fiberglass Batt Insulation	

Prefix: 2304 24 0075MB

Notes:

Released By Date: Matt Barna 4/27/23 10:30AM
 Received By Date: Glenda Wron 4/27/23 11:00
 Released By Date: [Blank]
 Received By Date: [Blank]

Industrial Hygiene Laboratory Submittal
Asbestos - PLM
CHAIN OF CUSTODY

Originating Office
 310 E. Foothill Blvd., Suite 200
 Arcadia, CA 91006
 Phone: 626.441.7050
 Fax: 626.441.0016

Lab Submitted to:
 AmeriSc
 EMLab (Glendale)
 LA Testing

Project #:
 23-20172-0075

Sampled by:
 Matt Barba

Sample Date:
 04/18/2023

Page of
 1840

Sample No.:
 Routine (5 Days)
 RUSH (surcharges may apply)
 Circle 6 hours 24 hours 48 hours 3 to 5 days

The receiving Laboratory is required to complete the following:

- All invoices are to be sent to: 310 E. Foothill Blvd., Suite 200, Arcadia, CA 91006 with a copy of the lab report.
- Analyze all samples by PLM by EPA 300/R-93/116.
- Step analysis of homogeneous groups at first positive that is greater than or equal to 1.0% *MS*

Optional items to be completed by the laboratory (if check marked): Email Report to: Info@execenv.com Other: ysaleana@execenv.com

US Mail Report to: Originating office check marked above Other: Alternate billing address: 923041436

Sample No.:	Sample Location - Include Room information where appropriate	Material Description	Homogeneous Location	No.	Quantity	Percent Damaged
-95	Roof NE	Roof Core	Building FT-to Roof	29	450 SF	0
-96	Roof West	I	I	I	I	I
-97	Roof SE	I	I	I	I	I
-98	Roof NW Flashing	Roof Masth	Building F at Roof Jacks on - some flashings	30	145F	0
-99	Roof SE Post Jack	I	I	I	I	I
-100	Roof SE Flashing	I	I	I	I	I

Prefix: 2304 240075MB

Notes:

Released By Date: Matt Barba 4/27/23 10:30AM
 Received By Date: Glenda Wren 4/27/23 11:02AM

Released By Date: [Blank]
 Received By Date: [Blank]

Rev. 1/19 ©Copyright 2019 All Rights Reserved

310 E. Foothill Blvd., Suite 200
Arcadia, CA 91006
Phone: 626.441.7050
Fax: 626.441.0016

AmeriSci
 EMLab (Glendale)
 LA Testing

Routine (5 Days)
Circle 6 hours
Circle 24 hours
Circle 48 hours
 RUSH (surcharges may apply) 3 to 5 days

Project #: 23-20172-0075

Sampled by: Matt Barna

Site Zip Code: 91723

Sample Date: 04/24/2023

Page 1940 of

The receiving Laboratory is required to complete the following:

- All invoices are to be sent to: 310 E. Foothill Blvd., Suite 200, Arcadia, CA 91006 with a copy of the lab report.
- Analyze all samples by PLM by EPA 900/R-93/116.
- Stop analysis of homogeneous groups at first positive that is greater than or equal to 4.0% *MS*

Building Name: *Building F*

Optional items to be completed by the laboratory (if check marked): Email Report to: Info@execenv.com Other: *ysgaleana@execenv.com*

US Mail Report to: Originating office check marked above Other:

Alternate billing address: *023041436*

Sample No.:	Sample Location -- Include Room information where appropriate	Material Description	Homogeneous Location	No.	Quantity	Percent Damaged
-101	NW Window Panel	Texture coat	Exterior on HVAC Raceway, Conduit	31	75 SF	0
-102	W Conduit		Concrete wall and wood window Panel	1		1
-103	SW Raceway			1		1
-104	NW Exterior	Concrete Pads	Exterior Vent	32	75 SF	0
-105	SW Exterior			1		1
-106	SW Exterior			1		1

Prefix: 2304
0075MB

Released By: Date
Received By: Date

Matt Barna 4/27/23 10:30AM

Glenda Watson 4/27/23 11:00

Released By: Date & Time



Industrial Hygiene Laboratory Submittal
Asbestos - PLM
CHAIN OF CUSTODY

Originating Office
 310 E. Foothill Blvd., Suite 200
Arcadia, CA 91006
Phone: 626.441.7050
Fax: 626.441.0016

Lab Submitted to:
 AmeriSci
 EMLab (Glendale)
 LA Testing

Routine (5 Days) Working One hours
 RUSH (surcharges may apply) Circle 6 24 48 hours
3 to 5 days

Project #:
23-Z0172-0075

Sampled by:
Matt Barna

Site Zip Code:
91723

Sample Date:
04/2/2023

Page of
20/40

Building Name: Building E / Building G

The receiving Laboratory is required to complete the following:

- All invoices are to be sent to: 310 E. Foothill Blvd., Suite 200, Arcadia, CA 91006 with a copy of the lab report.
- Analyze all samples by PLM by EPA 600/R-93/116.
- Stop analysis of homogeneous groups at first positive that is greater than or equal to 1.0% - *MMS*

Optional items to be completed by the laboratory (if check marked): Email Report to: Info@execenv.com Other: Yvareana@execenv.com; *92304M36*

US Mail Report to: Originating office check marked above Other:

Alternate billing address:

Sample No.:	Sample Location - Include Room information where appropriate	Material Description	Homogeneous Location	No.	Quantity	Percent Damaged
-107	Exterior NW	Asphalt	Building F Exterior West	33	1000 SF	0
-108	Exterior W	Paving				
-109	Exterior SW					
-110	(Building G) Attic NE Debris	Acryl Pipe	Building G T-0 Attic	34	15 SF/LF Debris	100%
-110	(Building G) Attic Center Debris	Insulation (4")			140 SF/LF Intact	100% <i>101 MMS</i>
-112	(Building G) Attic S Pipe				2900 SF Contaminated Fiberglass	100% <i>101 MMS</i>
					Booth Insulation	

Notes:

Received By: Date: *Matt Barna 4/27/23 10:30 AM*

Received By: Date: *Glenda Wilson 4/27/23 11:00*

Released By: Date: *Glenda Wilson 4/27/23 11:00*

Released By: Date: *Glenda Wilson 4/27/23 11:00*

Rev. 1/19

EXECUTIVE ENVIRONMENTAL

Industrial Hygiene Laboratory Submittal
Asbestos -- PLM
CHAIN OF CUSTODY

Project #: 23-Z0172-0075

Sampled by: Matt Barna

Sample Date: 04/27/2023

Site Zip Code: 91723

Building Name: Building C

Originating Office: 310 E. Foothill Blvd., Suite 200
Arcadia, CA 91006
Phone: 626.441.7050
Fax: 626.441.0016

Lab Submitted to: AmeriSci
 EMI Lab (Glendale)
 LA Testing

Page 21 of 20

Routine (5 Days) Working One hours 24 hours 48 hours 3 to 5 days

RUSH (surcharges may apply) Circle 6 hours 24 hours 48 hours 3 to 5 days

The receiving Laboratory is required to complete the following:

- All invoices are to be sent to: 310 E. Foothill Blvd., Suite 200, Arcadia, CA 91006 with a copy of the lab report.
- Analyze all samples by PLM by EPA 600/R-93/116.
- Stop analysis of homogeneous groups at first positive that is greater than or equal to 1.0% - *MJB*

Optional items to be completed by the laboratory (if check marked): Email Report to: info@execenv.com Other: yraleana@execenv.com; 9222041436

US Mail Report to: Originating office check marked above Other:

Sample No.:	Sample Location - Include Room information where appropriate:	Material Description	Homogeneous Location ¹⁾	No.	Quantity	Percent Damaged
-113	6501 NE wall	Plaster	Building 6 select walls T-O	35	2005F	0
-114	6501 S wall					
-115	6502 NE wall					
-116	6502 SW wall					
-117	6503 NE wall					

Prefix: 2304 24 0075MB

Notes:

Matt Barna 4/27/23 (030AM)

Glenda Wilson 4/29/23 11:00

Released By: Date: & Time:

Received By: Date: & Time:

©Copyright 2019 All Rights Reserved

Rev. 1/19



Industrial Hygiene Laboratory Submittal

Asbestos -- PLM
CHAIN OF CUSTODY

Originating Office
310 E. Foothill Blvd., Suite 200
Arcadia, CA 91006
Phone: 626.441.7050
Fax: 626.441.0016

Lab Submitted to:
 AmeriScd
 EMLab (Glendale)
 LA Testing

Routine (6 Days)
 RUSH (surcharges may apply)
Circle One: 6 hours, 24 hours, 48 hours, 3 to 5 days

Project #: 23-Z0172-0075
Sampled by: Matt Barna

Site Zip Code: 91723
Sample Date: 04/27/2023
Page of 2240

Building Name: Building G
4. All lab reports and invoices are to contain the Project Number from above.
5. Unsigned and reports marked draft are unacceptable.
6. Report to the attention of: Yesenia Galeana, Phone: (562) 889-1327

Optional Items to be completed by the laboratory (if check marked):
 Email Report to: info@execenv.com
 Alternate billing address:
 Other: Yv:aleana@execenv.com; 927041436

Sample No.:	Sample Location - Include Room information where appropriate	Material Description	Homogeneous Location	No.	Quantity	Percent Damaged
-118	6501 S	Drywall w/o	Building G T-0 ceiling	36	2900SF	0
-119	6502 SW	Joint compound ceiling				
-120	6503 NE					
-121	6501 S	1"X1" ceiling tiles w/ mastic	Building G T-0 ceiling	37	2900SF	0
-122	6502 SW					
-123	6503 NE					

Prefix: 2304
0075MB

Notes:
Matt Barna 4/27/23 10:30am
Glenda Luffon 4/27/23 11:00
Released By Date: 4/27/23 11:00
Released By Date: 4/27/23 11:00

WALSH EXECUTIVE ENVIRONMENTAL

Industrial Hygiene Laboratory Submittal

Asbestos -- PLM
CHAIN OF CUSTODY

Project #: 23-20172-0075

Sampled by: Matt Barna

Sample Date: 04/24/2023

Page of 2340

Lab Submitted to: AmeriSci
EMLab (Glendale)
LA Testing

Originating Office: 310 E. Foothill Blvd., Suite 200
Arcadia, CA 91006
Phone: 626.441.7050
Fax: 626.441.0016

Site Zip Code: 91723

Building Name: BUILDING 6

The receiving Laboratory is required to complete the following:

- All invoices are to be sent to: 310 E. Foothill Blvd., Suite 200, Arcadia, CA 91006 with a copy of the lab report.
- Analyze all samples by PLM by EPA 500/R-93/116.
- Step analysis of homogeneous groups at first, positive that is greater than or equal to 1.0% MM

4. All lab reports and invoices are to contain the Project Number from above.
5. Unsigned and reports marked draft are unacceptable.
6. Report to the attention of: Yessenia Galeana, Phone: (562) 889-1327

Optional items to be completed by the laboratory (if check marked): Email Report to: Info@execenv.com Other: Ygaleana@execenv.com
 US Mail Report to: Originating office check marked above Other: Alternate billing address: 923041436

Sample No.:	Sample Location - Include Room information where appropriate	Material Description	Homogeneous Location	No.	Quantity	Percent Damaged
-124	Roof NE	Roof Core	Building 6 Roof T-0	38	4500 SF	0
-125	Roof W					
-126	Roof SE					
-127	Roof NW Flashing	Roof Membrane	Building 6 Roof at Roof Jack one	39	145F	0
-128	Roof E Roof Jack		same flashings			
-129	Roof SE Flashing					

Prefix: 2304 24 0075MB

Notes: Matt Barna 4/27/23 10:30AM
 Received By Date: 4/27/23 11:00
 Released By Date: 4/27/23 11:00
 Received By Date: 4/27/23 11:00
 Released By Date: 4/27/23 11:00

Copyright 2019 All Rights Reserved
 Rev. 1/19

Routine (5 Days) Working One
 RUSH (surcharges may apply) 24 hours 48 hours 3 to 5 days

Project #: 23-Z0172-0075
Sampled by: Matt Barna

Site Zip Code: 91723
Sample Date: 04/24/2023

Page 2 of 10

Building Name: Building 6

The receiving Laboratory is required to complete the following:

- All invoices are to be sent to: 310 E. Foothill Blvd., Suite 200, Arcadia, CA 91006 with a copy of the lab report.
- Analyze all samples by PLM by EPA 600/R-93/116.
- Stop analysis of homogeneous groups at first positive that is greater than or equal to 4.0% **MS**

4. All lab reports and invoices are to contain the Project Number from above.
5. Unsigned and reports marked draft are unacceptable.
6. Report to the attention of: Yesenia Galeana, Phone: (562) 889-1327

Optional Items to be completed by the laboratory (if check marked): Email Report to: Info@execenv.com Other: ygaleana@execenv.com; 923041436

US Mail Report to: Originating office check marked above Other: Alternate billing address:

Sample No.:	Sample Location - Include Room information where appropriate	Material Description	Homogeneous Location	No.	Quantity	Percent Damaged
-130	Exterior NW	Texture Coat	Exterior on HVAC Exterior, Conduit	40	75St	0
-131	Exterior W	I	Concrete wall and wood window Panel	I	I	I
-132	Exterior SW	I	I	I	I	I
-133	Exterior NW	Concrete Pans	Exterior west	41	75St	0
-134	Exterior W	I	I	I	I	I
-135	Exterior SW	I	I	I	I	I

Routine (5 Days) Working One hours 24 hours 48 hours
 RUSH (surcharges may apply) 3 to 5 days

Project #: 23-20172-0075

Sampled by: Matt Barna

Site Zip Code: 91723

Sample Date: 04/27/2023

Page 25 of 40

The receiving Laboratory is required to complete the following:

- All invoices are to be sent to: 310 E. Foothill Blvd., Suite 200, Arcadia, CA 91006 with a copy of the lab report.
- Analyze all samples by PLM by EPA 600/R-93/116.
- Stop analysis of homogeneous groups at first positive that is greater than or equal to 1.0% *M6*

Building Name: *Building H*

Optional items to be completed by the laboratory (if check marked): Email Report to: Info@execenvy.com Other: *via/aleana@execenvy.com*

US Mail Report to: Originating office check marked above Other: Alternate billing address: *023041436*

Sample No.:	Sample Location - Include Room information where appropriate:	Material Description	Homogeneous Location:	No.	Quantity	Percent Damaged
-136	Attic NE Debris	Arcell Pipe	Building H Attic T-0	42	30LF/5F Debris	100%
-137	Attic Center Debris	Insulation 4"			145SF/4F Intact	
-138	Attic SW Pipe				3000SF Centimeter Fiber Glass Insulation	

Prefix: 2304 25 0075MB

Notes: Released By: Date: Received By: Date: & Time:

Matt Barna 4/27/23 6:30PM

Glenda Wilson 4/27/23 11:00

Released By: Date: & Time:



Industrial Hygiene Laboratory Submittal

Asbestos -- PLM
CHAIN OF CUSTODY

Originating Office
310 E. Foothill Blvd., Suite 200
Arcadia, CA 91006
Phone: 626.441.7050
Fax: 626.441.0016

Lab Submitted to:
 AmeriSci
 EMI Lab (Glendale)
 LA Testing

Routine Working (5 Days)
Circle 6 hours 24 hours 48 hours 8 to 5 days
 RUSH (surcharges may apply)

Project #: 23-Z0172-0075
Sampled by: Matt Barna

Site Zip Code: 91723
Sample Date: 04-25-2023
Page 26 of 40

The receiving Laboratory is required to complete the following:

- All invoices are to be sent to: 310 E. Foothill Blvd., Suite 200, Arcadia, CA 91006 with a copy of the lab report.
- Analyze all samples by PLM by EPA 600/R-93/116.
- Stop analysis of homogeneous groups at first positive that is greater than or equal to 1.0%; *MSB*

Building Name: *Building H*
4. All lab reports and invoices are to contain the Project Number from above.
5. Unsigned and reports marked draft are unacceptable.
6. Report to the attention of: Yesenia Galeana, Phone: (562) 889-1327

Optional items to be completed by the laboratory (if check marked): Email Report to: Info@execenv.com Other: ygaleana@execenv.com; 923041436
 US Mail Report to: Originating office check marked above Other: Alternate billing address:

Sample No.:	Sample Location -- Include Room information where appropriate	Material Description	Homogeneous Location	No.	Quantity	Percent Damaged
-139	H 601 NE wall	Plaster	Building H Select wall T--0	43	2900 SE	0
-140	H 602 N wall					
-141	H 602 SE wall					
-142	H 603 N wall					
-143	H 604 SE wall					

Prefix: 2304 25 0075MB

Notes:
Released By Date
Received By Date
& Time

Matt Barna 7/27/23 (030AM)

Glenda Moon 4/27/2023
Received By Date & Time

Released By Date & Time



Industrial Hygiene Laboratory Submittal
Asbestos --- PLM
CHAIN OF CUSTODY

Originating Office

310 E. Foothill Blvd., Suite 200
Arcadia, CA 91006
Phone: 626.441.7050
Fax: 626.441.0016

Lab Submitted to:

AmeriSci
 EMLab (Glendale)
 LA Testing

Routine (5 Days)
 Rush (surcharges may apply)
Circle 6 24 48 hours hours hours
One 24 48 hours hours hours

Project #: 23-20172-0075

Sampled by: Matt Barna

Site Zip Code: 91723

Sample Date: 04/25/2023
Page of 2740

The receiving Laboratory is required to complete the following:

- All invoices are to be sent to: 310 E. Foothill Blvd., Suite 200, Arcadia, CA 91006 with a copy of the lab report.
- Analyze all samples by PLM by EPA 600/R-83/116.
- ~~Step analysis of homogeneous groups at first positive that is greater than or equal to 1.0%.~~ **MB**

Building Name: Building A

- All lab reports and invoices are to contain the Project Number from above.
- Unassigned and reports marked draft are unacceptable.
- Report to the attention of: Yessenia Galeana, Phone: (562) 889-1327

Optional items to be completed by the laboratory (if check marked): Email Report to: info@execenv.com Other: Alternate billing address: Other: Yyaleana@execenv.com; 222041436

US Mail Report to: Originating office check marked above Other:

Sample No.:	Sample Location - Include Room information where appropriate	Material Description	Homogeneous Location	No.	Quantity	Percent Damaged
-144	H601 NE	Drywall w/o joint compound ceiling	Building H Ceilings T-0	44	3900sf	0
-145	H602 SE	Joint compound ceiling				
-146	H604 SE					
-147	H601 NE	12"X12" Ceiling Tiles w/ Moisture	Building H Ceilings T-0	45	3900sf	0
-148	H602 SE					
-149	H604 SE					

Prefix: 2304
0075MB

Notes:

Released By: Date: 4/27/23 1030AM
Received By: Date: 4/27/23 11:00
Glenda Burton, Glenda K. Hertzell

Released By: Date: & Time:

EXECUTIVE ENVIRONMENTAL

Industrial Hygiene Laboratory Submittal
Asbestos - PLM
CHAIN OF CUSTODY

Project #: 23-Z0172-0075

Sampled by: Matt Barna

Site Zip Code: 91723

Sample Date: 04/25/2023

Page of 28 of 40

Lab Submitted to:
 AmeriSci
 EMLab (Glendale)
 LA Testing

Originating Office:
 310 E. Foothill Blvd., Suite 200
 Arcadia, CA 91006
 Phone: 626.441.7050
 Fax: 626.441.0016

Building Name: Building H

The receiving Laboratory is required to complete the following:

- All invoices are to be sent to: 310 E. Foothill Blvd., Suite 200, Arcadia, CA 91006 with a copy of the lab report.
- Analyze all samples by PLM by EPA 500/R-93/116.
- Step analysis of homogeneous groups at first positive that is greater than or equal to 1.0% *MSB*

Optional items to be completed by the laboratory (if check marked): Email Report to: info@execenv.com Other: Yaleana@execenv.com

US Mail Report to: Originating office check marked above Other: Alternate billing address: 923041436

Sample No.:	Sample Location - Include Room information where appropriate	Material Description	Homogeneous Location	No.	Quantity	Percent Damaged
-150	Roof NE	Roof Core	Building H Roof T-0	46	600 SF	0
-151	Roof W					
-152	Roof SE					
-153	Roof NW Flashing	Roof Mastic	Building H Roof ext	47	165F	0
-154	Roof SE Roof Jack		Roof Jacks and some flashings			
-155	Roof SE Flashing					

Prefix: 2304
0075MB

Notes:

Received By: Date: Matt Barna 4/27/23 10:30AM

Released By: Date: Glenda Wron 4/27/23 11:00

Received & Time: By: Date: Released & Time:

Rev. 1/19

©Copyright 2019 All Rights Reserved



Industrial Hygiene Laboratory Submittal
Asbestos -- PLM
CHAIN OF CUSTODY

Originating Office
 310 E. Foothill Blvd., Suite 200
Arcadia, CA 91006
Phone: 626.441.7050
Fax: 626.441.0016

Lab Submitted to:
 AmeriSci
 EMLab (Glendale)
 LA Testing

Routine (5 Days)
 RUSH (surcharges may apply)
Circle One: 6 hours, 24 hours, 48 hours, 5 to 9 days

Project #: 23-Z0172-0075
Sampled by: Matt Barna

Site Zip Code: 91723
Sample Date: 04/25/2023
Page 29 of 40

The receiving Laboratory is required to complete the following:
 1. All invoices are to be sent to: 310 E. Foothill Blvd., Suite 200, Arcadia, CA 91006 with a copy of the lab report.
 2. Analyze all samples by PLM by EPA 500/R-93/116.
 3. Step analysis of homogeneous groups at first positive that is greater than or equal to 1.0% - MS
Building Name: Building H
 4. All lab reports and invoices are to contain the Project Number from above.
 5. Unsigned and reports marked draft are unacceptable.
 6. Report to the attention of: Yesenia Galeana, Phone: (562) 889-1327

Optional items to be completed by the laboratory (if check marked): Email Report to: info@execenv.com Other: y.galeana@execenv.com;
 US Mail Report to: Originating office check marked above Other: Alternate billing address: 02201436

Sample No.:	Sample Location - Include Room information where appropriate	Material Description	Homogeneous Location	No.	Quantity	Percent Damaged
-156	Exterior NW	Texture Coat	Building H Exterior on HVAC Raceway	33	100 SF	0
-157	Exterior W		Concreity (concrete) on wood window			
-158	Exterior SW		panel			
-159	Exterior NW	Concrete Pad	Building H Exterior west	39	100 SF	0
-160	Exterior W					
-161	Exterior SW					

Prefix: 2304
25
0075MB

Notes:
 Released By: Date: Matt Barna 4/27/23 (03:00 AM)
 Received By: Date: Glenda Wilson 4/27/23
 Released By: Date: & Time:
 Released By: Date: & Time:
 Rev. 1/19 ©Copyright 2019 All Rights Reserved



Industrial Hygiene Laboratory Submittal
Asbestos -- PLM
CHAIN OF CUSTODY

Project #: 23-20172-0075
Sampled by: Matt Barna

Originating Office
310 E. Foothill Blvd., Suite 200
Arcadia, CA 91006
Phone: 626.441.7050
Fax: 626.441.0016

Lab Submitted to:
 AmeriSc
 EMLab (Glendale)
 LA Testing

Sample Date: 04/25/2023
Page of 30

Routine (5 Days)
 RUSH (surcharges may apply)
Circle 6 24 48 hours hours hours
One hours hours hours

The receiving Laboratory is required to complete the following:
 1. All invoices are to be sent to: 310 E. Foothill Blvd., Suite 200, Arcadia, CA 91006 with a copy of the lab report.
 2. Analyze all samples by PLM by EPA 800/R-93/116.
 3. ~~Stop analysis of homogeneous groups at first positive that is greater than or equal to 1.0%.~~ *MJB*

Optional items to be completed by the laboratory (if check marked): Email Report to: Info@execenv.com Other: yfaleana@execenv.com
 US Mail Report to: Originating office check marked above Other:
 Alternate billing address: 023041430

Sample No.:	Sample Location - Include Room information where appropriate	Material Description	Homogeneous Location	No.	Quantity	Percent Damaged
-163	Attr NE debris	Aircell Pipe Insulation	Buildng Attr T-0	35	304 SF	100%
-168	Attr center debris	4"		1	190 LFF SF	
-164	Attr S pipe			1	Intact 3100	
					SF	
					contaminated	
					fiberglass	
					Booth	
					Insulation	

Prefix: 2304 25 0075MB

Notes:
 Released By: Matt Barna 4/27/23 1030AM
 Received By: Glenda Utson 4/27/23 11:00
 Released By: [Blank]
 Received By: [Blank]



Industrial Hygiene Laboratory Submittal
Asbestos - PLM
CHAIN OF CUSTODY

Originating Office
 310 E. Foothill Blvd., Suite 200
Arcadia, CA 91006
Phone: 626.441.7050
Fax: 626.441.0016

Lab Submitted to:
 AmeriSci
 EMLab (Glendale)
 LA Testing

Routine (5 Days)
 RUSH (surcharges may apply)
Circle One: 6 hours, 24 hours, 48 hours, 3 to 5 days

Project #: 23-Z0172-0075
Sampled by: Matt Barna

Site Zip Code: 91723
Sample Date: 04/25/2023
Page 3 of 40

The receiving Laboratory is required to complete the following:

- All invoices are to be sent to: 310 E. Foothill Blvd., Suite 200, Arcadia, CA 91006 with a copy of the lab report.
- Analyze all samples by PLM by EPA 600/R-93/116.
- Stop analysis of homogeneous groups at first positive that is greater than or equal to 4.0% MS

Building Name: Building I

- All lab reports and invoices are to contain the Project Number from above.
- Unsigned and reports marked draft are unacceptable.
- Report to the attention of: Yesenia Galeana, Phone: (562) 889-1327

Optional items to be completed by the laboratory (if check marked): Email Report to: Info@execenv.com Other: Yjaleana@execenv.com

US Mail Report to: Originating office check marked above Other: Alternate billing address: 023041436

Sample No.:	Sample Location - Include Room information where appropriate	Material Description	Homogeneous Location	No.	Quantity	Percent Damaged
-165	F701 NE wall	Plaster	Building I Select walls T=0	36	29056	0
-166	F701 S wall					
-167	F702 N wall					
-168	F703 NE wall					
-169	F704 SE wall					

Prefix: 2304 29 0075MB

Notes:
Released By Date: Matt Barna 4/27/23 10:30AM
Received By Date & Time: Glenda Woon 4/27/23 11:00 AM
Released By Date & Time:

EXECUTIVE ENVIRONMENTAL

Industrial Hygiene Laboratory Submittal

Asbestos -- PLM
CHAIN OF CUSTODY

Project #: 23-Z0172-0075
Sampled by: Matt Barna

Project #: 23-Z0172-0075
Sampled by: Matt Barna

Sample Date: 04/25/2023
Page 3 of 40

Lab Submitted to:
 AmeriSc
 EMLab (Glendale)
 LA Testing

Originating Office:
 310 E. Foothill Blvd., Suite 200
 Arcadia, CA 91006
 Phone: 626.441.7050
 Fax: 626.441.0016

Site Zip Code: 91723

Building Name: Building I

The receiving Laboratory is required to complete the following:

- All invoices to be sent to: 310 E. Foothill Blvd., Suite 200, Arcadia, CA 91006 with a copy of the lab report.
- Analyze all samples by PLM by EPA 600/R-93/116.
- Stop analysis of homogeneous groups at first positive that is greater than or equal to 4-9% MVh

Optional items to be completed by the laboratory (if check marked):
 Email Report to: Info@execenv.com Other: Y.Galeana@execenv.com
 US Mail Report to: Originating office check marked above Other:
 Alternate billing address: 023041436

Sample No.:	Sample Location - Include Room information where appropriate	Material Description	Homogeneous Location	No.	Quantity	Percent Damaged
-170	I701 NE	Drywall w/o	Building I ceiling	37	3900SK	0
-171	I702 N	Joint compound ceiling	F0	1	1	1
-172	I704 SE	---	---	1	1	1
-173	I701 NE	12"X12" ceiling tile w/ marble	Building I ceiling F-D	28	3900SK	0
-174	I702 N	---	---	1	1	1
-175	I704 SE	---	---	1	1	1

Prefix: 2304
0075MB

Notes:

Received By: Date: 4/27/23 10:59 AM
 Released By: Date: 4/27/23 11:00
 Received By: Date: 4/27/23 11:00
 Released By: Date: 4/27/23 11:00

©Copyright 2019 All Rights Reserved
Rev. 1/19

Routine Working (5 Days)

RUSH (surcharges may apply)
Circle 6 24 48 hours hours hours (3 to 5 days)

Project #:
23-20172-0075

Sampled by:
Matt Barna

Site Zip Code:
91723

Sample Date:
04/25/2023

Page 33 of 60

The receiving Laboratory is required to complete the following:

- All invoices are to be sent to: 310 E. Foothill Blvd., Suite 200, Arcadia, CA 91006 with a copy of the lab report.
- Analyze all samples by PLM by EPA 500/R-93/116.
- Stop analysis of homogeneous groups at first positive that is greater than or equal to 1.0% *NR*

Building Name: *Building F*

- All lab reports and invoices are to contain the Project Number from above.
- Unsigned and reports marked draft are unacceptable.
- Report to the attention of: Yessenia Galeana, Phone: (562) 889-1327

Optional items to be completed by the laboratory (if check marked): Email Report to: Info@execenv.com Other: y.galeana@execenv.com

US Mail Report to: Originating office check marked above Other:

Alternate billing address: *023041430*

Sample No.:	Sample Location - Include Room Information where appropriate	Material Description	Homogeneous Location	No.	Quantity	Percent Damaged
-176	Roof NW	Roof Core	Building I Roof	39	6000x	0
-177	Roof S	I	I	I	I	I
-178	Roof NE	I	I	I	I	I
-179	Roof SW Flashing	Roof Mask	Building I Roof at	40	165x	0
-180	Roof NE Roof Jack	I	Roof Jacks and	I	I	I
-181	Roof NE Flashing	I	Some Flashing	I	I	I

0075MB

Prefix: 2304

Released & Time: _____
By: Date: _____

Notes: *Matt Barna 4/21/23 10:30AM*

Received & Time: _____
By: Date: _____

Glenda Uydon 4/27/23 11:00

Released & Time: _____
By: Date: _____



Industrial Hygiene Laboratory Submittal
Asbestos -- PLM
CHAIN OF CUSTODY

Originating Office
 310 E. Foothill Blvd., Suite 200
 Arcadia, CA 91006
 Phone: 626.441.7050
 Fax: 626.441.0016

Lab Submitted to:
 AmeriSci
 EMLab (Glendale)
 LA Testing

Routine (5 Days)
 RUSH (surcharges may apply)
 Circle 6 24 48 3 to 5
 One hours hours days

Project #:
23-Z0172-0075

Sampled by:
Matt Barna

Site Zip Code:
91723

Sample Date:
04/25/2023
Page 34 of 40

The receiving Laboratory is required to complete the following:

- All invoices are to be sent to: 310 E. Foothill Blvd., Suite 200, Arcadia, CA 91006 with a copy of the lab report.
- Analyze all samples by PLM by EPA 800/R-93/116.
- Step analysis of homogeneous groups at first positive that is greater than or equal to 1.0% *NHL*

Building Name: *BUILDING I*

- All lab reports and invoices are to contain the Project Number from above.
- Unsigned and reports marked draft are unacceptable.
- Report to the attention of: Yesenia Galeana, Phone: (562) 889-1327

Optional items to be completed by the laboratory (if check marked): Email Report to: Info@execenv.com Other: *ysaleana@execenv.com*

US Mail Report to: Originating office check marked above Other: Alternate billing address: *923041436*

Sample No.:	Sample Location -- Include Room information where appropriate	Material Description	Homogeneous Location	No.	Quantity	Percent Damaged
-182	Exterior NW	Texture Coat	EXTERIOR ON HVAC ROOFING CONTACT	91	10056	0
-183	Exterior W		Concrete walk out			
-184	Exterior SW		WOOD W/LOW PANEL			
-185	Exterior NW	Concrete Pal	EXTERIOR WEST	42	1008	0
-186	Exterior SW					
-187	Exterior SW					

Prefix: 2304 25 0075MB

Notes:
 Released By: Date
 Received By: Date
 Matt Barna 4/27/23 1039AM
 Glenda (NEEN) Gladys 4/27/23 11:00
 Released By: Date & Time



Industrial Hygiene Laboratory Submittal
Asbestos -- PLM
CHAIN OF CUSTODY

Originating Office
 310 E. Foothill Blvd., Suite 200
 Arcadia, CA 91006
 Phone: 626.441.7050
 Fax: 626.441.0016

Lab Submitted to:
 AmeriSci
 EMLab (Glendale)
 LA Testing

Routine (5 Days)
 Working One hours
 RUSH (surcharges may apply) 3 to 5 days
 Circle 6 24 48 hours

Project #:
23-20172-0075

Sampled by:
Matt Barna

Site Zip Code:
91723

Sample Date:
04/27/2023
Page of
35/60

The receiving Laboratory is required to complete the following:

- All invoices are to be sent to: 310 E. Foothill Blvd., Suite 200, Arcadia, CA 91006 with a copy of the lab report.
- Analyze all samples by PLM by EPA 800/R-93/116.
- Stop analysis of homogeneous groups at first positive that is greater than or equal to 1.0%

Building Name: Building J

Optional Items to be completed by the laboratory (if check marked): Email Report to: info@execenv.com Other: ygaleana@execenv.com
 US Mail Report to: Originating office check marked above Other:
 Alternate billing address: 929041436

Sample No.:	Sample Location - Include Room information where appropriate	Material Description	Homogeneous Location	No.	Quantity	Percent Damaged
-188	Attic NE debris	Aircell Pipe	Building J Attic	13	30LF Rebris 5F	100%
-189	Attic center debris	Insulation		1	140 LBS Intact	
-190	Attic SW Pipe			1	3000 SF Contaminated Fiberglass Insulation	

Prefix: 2304
0075MB

Notes:
 Received By Date: Matt Barna 4/27/23 (8:30AM)
 Received By Date: Glenda Kron 4/27/23 @ 11:00
 Released By Date: [Blank]
 Released & Time: [Blank]

EXECUTIVE ENVIRONMENTAL

Industrial Hygiene Laboratory Submittal
Asbestos -- PLM
CHAIN OF CUSTODY

Project #: 23-20172-0075

Sampled by: Matt Barna

Sample Date: 04/25/2023

Page of 36

Lab Submitted to: AmeriSci EMLab (Glendale) LA Testing

Originating Office: 310 E. Foothill Blvd., Suite 200
Arcadia, CA 91006
Phone: 626.441.7050
Fax: 626.441.0016

Site Zip Code: 91723

The receiving Laboratory is required to complete the following:

- All invoices are to be sent to: 310 E. Foothill Blvd., Suite 200, Arcadia, CA 91006 with a copy of the lab report.
- Analyze all samples by PLM by EPA 800/R-93/116.
- Stop analysis of homogeneous groups at first positive that is greater than or equal to 1.0% - *MJ*

Building Name: *Building J*

4. All lab reports and invoices are to contain the Project Number from above.

5. Unsigned and reports marked draft are unacceptable.

6. Report to the attention of: Yesenia Galeana, Phone: (562) 889-1327

Optional items to be completed by the laboratory (if check marked): Email Report to: info@execenv.com Other: *ygaleana@execenv.com*

US Mail Report to: Originating office check marked above Other: *023011436*

Alternate billing address:

Sample No.:	Sample Location - Include Room information where appropriate	Material Description	Homogeneous Location	No.	Quantity	Percent Damaged
-191	J801 NW	Plaster	Building J Select walls T-0	44	290058	0
-192	J801 South					
-193	J802 S					
-194	J803 SW N					
-195	J804 SW					

Prefix: 2304 *0075MB*

Notes:

Received By: Date: *4/25/23 10:30AM*

Released By: Date: *4/27/23 11:00*

Received By: Date: *Glenda Uyfon 4/27/23 11:00*

Released By: Date: *Glenda Uyfon 4/27/23 11:00*

Rev. 1/19

©Copyright 2019 All Rights Reserved



Industrial Hygiene Laboratory Submittal
Asbestos -- PLM
CHAIN OF CUSTODY

Routine (5 Days)
 RUSH (surcharges may apply)
 Circle 6 hours 24 hours 48 hours
 One hours hours hours days

Project #: 23-Z0172-0075

Sampled by: Matt Barna

Originating Office
 310 E. Foothill Blvd., Suite 200
 Arcadia, CA 91006
 Phone: 626.441.7050
 Fax: 626.441.0016

Site Zip Code: 91723
 Sample Date: 04/25/2023
 Page of 37/10

Building Name: BUILDING

The receiving Laboratory is required to complete the following:
 1. All invoices are to be sent to: 310 E. Foothill Blvd., Suite 200, Arcadia, CA 91006 with a copy of the lab report.
 2. Analyze all samples by PLM by EPA 600/R-93/116.
 3. ~~Step analysis of homogeneous groups at first positive that is greater than or equal to 1.0% - NA~~

Optional items to be completed by the laboratory (if check marked):
 US Mail Report to: Info@execenv.com Other: ygalana@execenv.com
 Alternate billing address: 073041430

Sample No.	Sample Location - Include Room information where appropriate	Material Description	Homogeneous Location	No.	Quantity	Percent Damaged
-193	J801 NE	Drywall w/o	Building ceilings	15	39005x	0
-194	J802 SE	Joint compound ceiling	T-0			
-195	J804 NE					
-196	J801 NE					
-200	J802 SE	12"X12" ceiling tiles w/ Mask	Building ceilings T-0	16	39005x	0
-201	J804 NE					

Notes:

Matt Barna 4/27/23 10:30 AM

Glenda Lyton y12123ell.00

Received By Date & Time

Received By Date & Time

Released By Date & Time

310 E. Foothill Blvd., Suite 200
Arcadia, CA 91006
Phone: 626.441.7050
Fax: 626.441.0016

Lab Submitted to:

AmeriSci
 EMLab (Glendale)
 LA Testing

Routine (5 Days)
 Working One hours
 RUSH (surcharges may apply) Circle 6 24 48 hours 3 to 5 days

Project #:
23-20172-0075

Sampled by:
Matt Barma

Site Zip Code:
91723

Sample Date:
04/29/2023

Page of
38/40

The receiving Laboratory is required to complete the following:

- All invoices are to be sent to: 310 E. Foothill Blvd., Suite 200, Arcadia, CA 91006 with a copy of the lab report.
- Analyze all samples by PLM by EPA 600/R-83/116.
- Stop analysis of homogeneous groups at first positive that is greater than or equal to 1.0%.

Building Name: Building J

- All lab reports and invoices are to contain the Project Number from above.
- Unsigned and reports marked draft are unacceptable.
- Report to the attention of: Yessenia Galeana, Phone: (562) 889-1327

Optional items to be completed by the laboratory (if check marked): Other:

US Mail Report to: Originating office check marked above Other:

Email Report to: Info@execenv.com Other: ygalleana@execenv.com

Alternate billing address

02304M30

Sample No.:	Sample Location - Include Room Information where appropriate	Material Description	Homogeneous Location	No.	Quantity	Percent Damaged
202-2019	Roof NW	Roof Core	Roof T-0	17	600x	0
203-200	Roof S					
204-201	Roof NE					
205-202	Roof SW Flashing	Roof Mast	Roof at soff			
206-203	Roof NE Roof Jack		Roof Jack	18	165x	0
207-204	Roof NE Flashing					

Notes:

Matt Barma 4/29/23 1030AM

Received By Date

By Date

Time

Glenda Wilson 4/27/23 11:00

Received By Date



Industrial Hygiene Laboratory Submittal
Asbestos - PLM
CHAIN OF CUSTODY

Routine (5 Days)
 RUSH (surcharges may apply)
Circle 6 hours 24 hours 48 hours
Days

Project #: 23-20172-0075

Sampled by: Matt Barna

Originating Office: 310 E. Foothill Blvd., Suite 200, Arcadia, CA 91008
Phone: 626.441.7050 Fax: 626.441.0016
Lab Submitted to: AmeriSci EMLab (Glendale) LA Testing

Site Zip Code: 91723
Sample Date: 04/28/2023
Page of 34/40

Building Name: Building J
4. All lab reports and invoices are to contain the Project Number from above.
5. Unsigned and reports marked draft are unacceptable.
6. Report to the attention of: Yesenia Galeana, Phone: (562) 889-1327

US Mail Report to: info@execenv.com Alternate billing address: 923041436
Email Report to: info@execenv.com Other: ygaleana@execenv.com

Sample No.:	Sample Location - Include Room information where appropriate	Material Description	Homogeneous Location	No.	Quantity	Percent Damaged
<u>-205-205</u>	<u>Roof NW</u>	<u>Roof Conduit Pass</u>	<u>Roof out contact</u>	<u>49</u>	<u>1056</u>	<u>0</u>
<u>-205-206</u>	<u>Roof N</u>					
<u>-210-207</u>	<u>Roof NE</u>					

Notes: Matt Barna 4/27/23 10:30 AM
By Date: Glenda Moya 4/27/23 11:00
Received X Time: Glenda Moya 4/27/23 11:00
Released By Date: Glenda Moya 4/27/23 11:00



Industrial Hygiene Laboratory Submittal
Asbestos - PLM
CHAIN OF CUSTODY

Routine Working (Days)
 RUSH (surcharges may apply)
 Circle 6 24 48 hours hours hours
 One hours hours hours

Project #: 23-Z0172-0075

Sampled by: Matt Barna

Originating Office
 310 E. Foothill Blvd., Suite 200
 Arcadia, CA 91006
 Phone: 626.441.7060
 Fax: 626.441.0016

Lab Submitted to:
 AmeriScd
 EMI Lab (Glendale)
 LA Testing

Site Zip Code: 91723
 Sample Date: 04/25/2023

Page 3 of 10

Building Name: Bull 203

The receiving Laboratory is required to complete the following:
 1. All invoices are to be sent to: 310 E. Foothill Blvd., Suite 200, Arcadia, CA 91006 with a copy of the lab report.
 2. Analyze all samples by PLM by EPA 600/R-83/116.
 3. Stop analysis of homogeneous groups at first positive that is greater than or equal to 1.0% *MBS*

Optional items to be completed by the laboratory (if check marked):
 US Mail Report to: Originating office check marked above Other:
 Email Report to: Info@execenvy.com Other: y.galeana@execenvy.com
 Alternate billing address: 9230414236

Sample No.:	Sample Location - Include Room information where appropriate	Material Description	Homogeneous Location	No.	Quantity	Percent Damaged
211208	Exterior SW	Texture Coat	Exterior on HVAC	50	100SF	0
212209	Exterior S		Roadway curbside			
213210	Exterior SE		concrete walkway			
214211	Exterior SW		walkway on paved			
215212	Exterior S					
216213	Exterior SE		Exterior South	51	100SF	0

Notes:

Matt Barna 4/27/23 10:30 AM

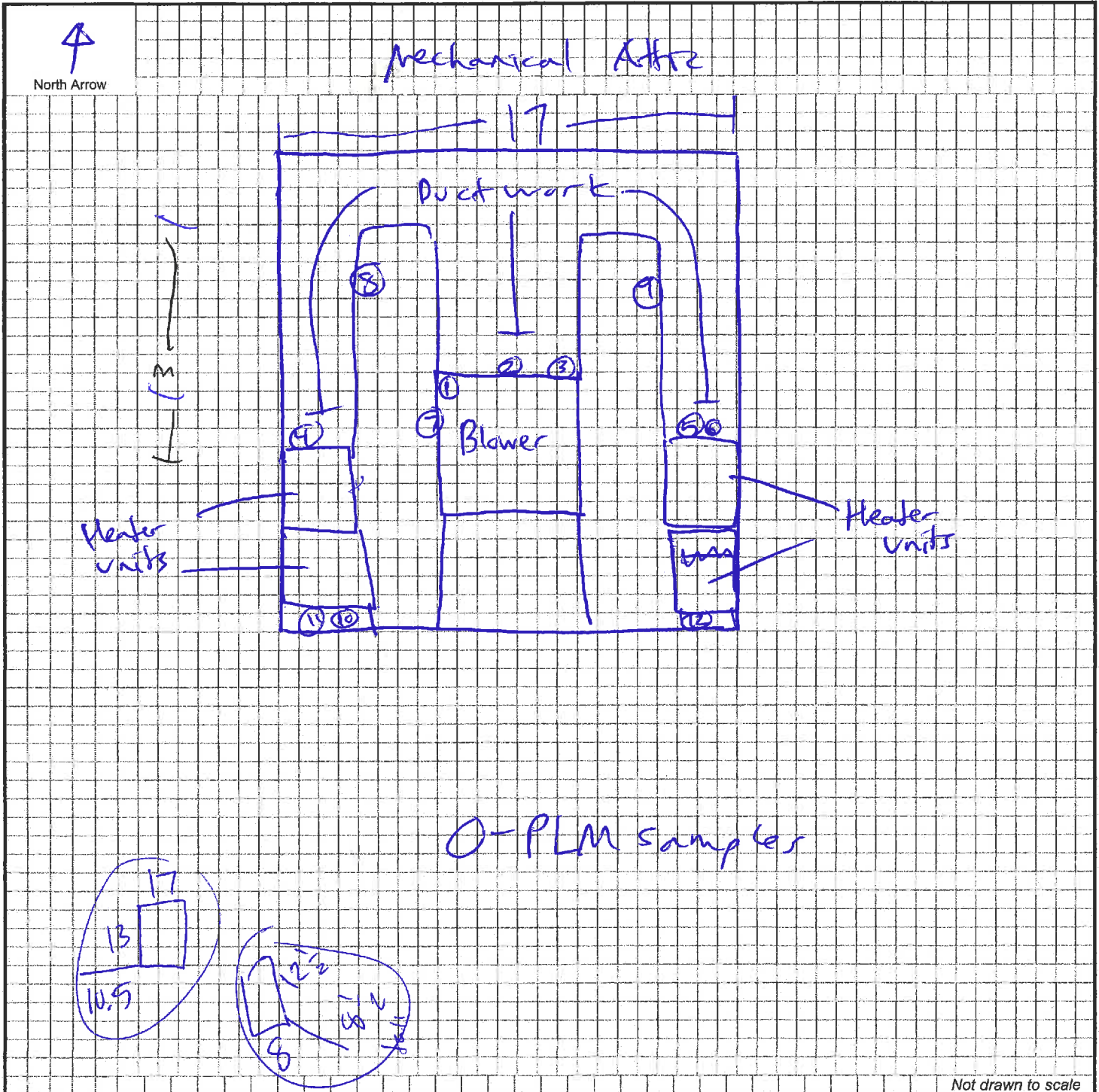
Received By Date & Time

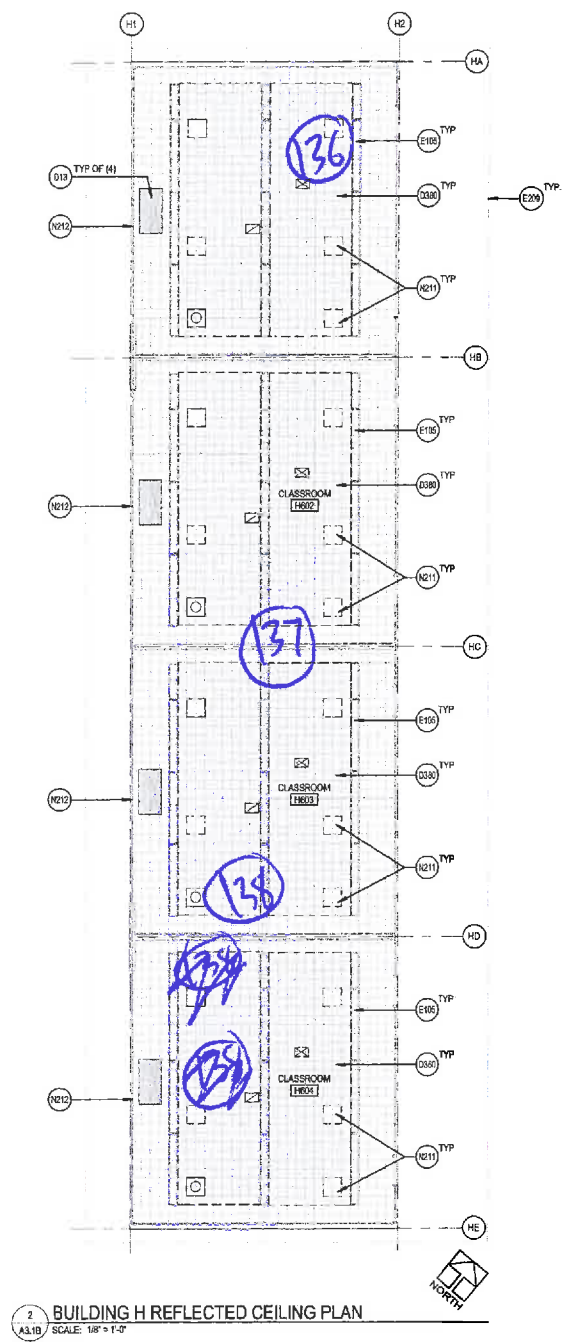
Glenda Wilson 4/27/23 11:00

Released By Date & Time

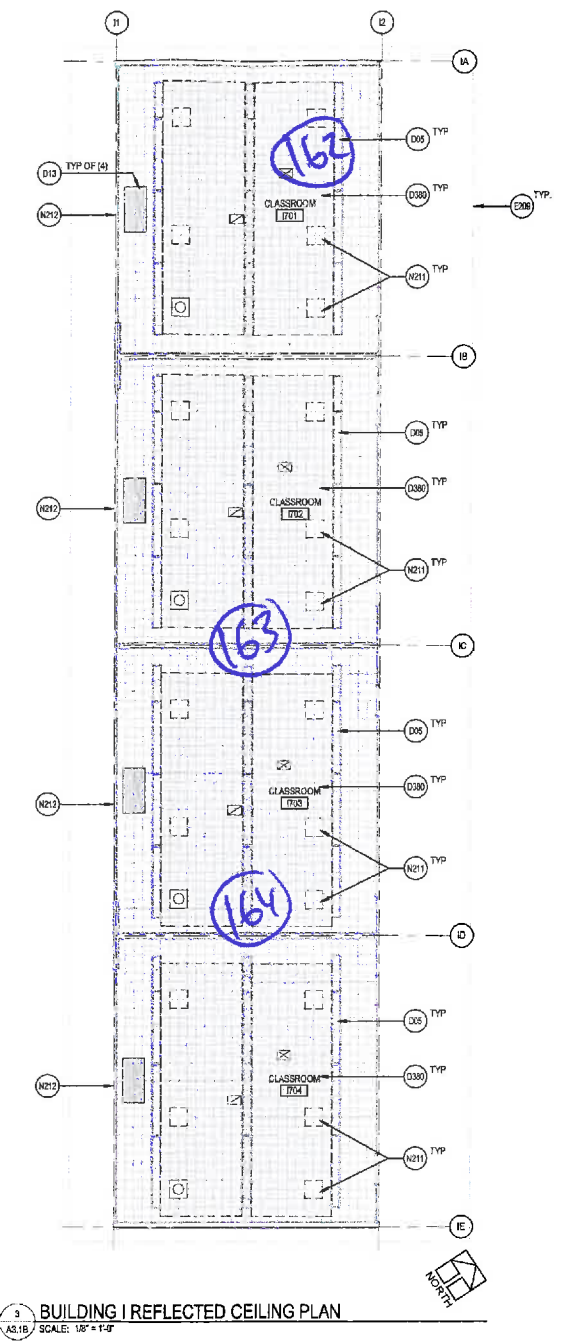
APPENDIX B – SITE DRAWING

Client: Covina valley VSD Project # 23-Z0172-0075 Insp. Date 4/19/23
 Site Name: Cypress ES
 Building/Area: Building B
 Site Address: _____ Inspector's Name Matt Barna

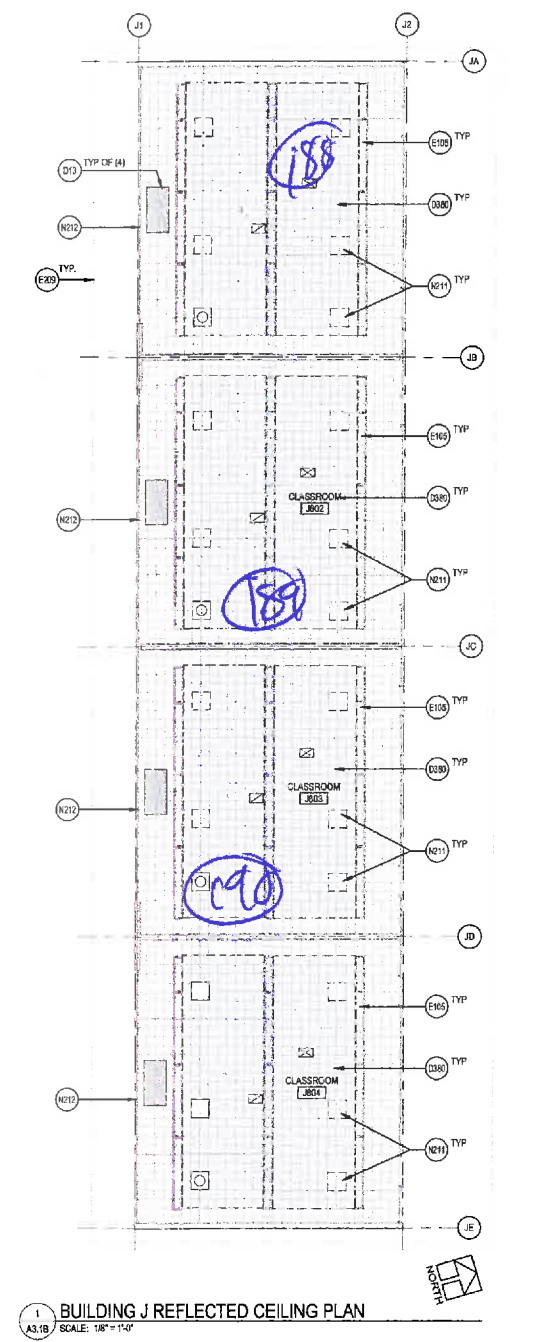




2 BUILDING H REFLECTED CEILING PLAN
A3.1B / SCALE: 1/8" = 1'-0"



3 BUILDING I REFLECTED CEILING PLAN
A3.1B / SCALE: 1/8" = 1'-0"



1 BUILDING J REFLECTED CEILING PLAN
A3.1B / SCALE: 1/8" = 1'-0"

*Attic samples
O-PLM*

REFERENCE KEYNOTES

KEYNOTES

D05	REMOVE (E) CERAMIC WALL TILE, FLOOR TILE, AND TILE BASE - PREPARE SURFACE TO RECEIVE NEW SCHEDULED FINISHES
D13	REMOVE (E) CEILING MOUNTED FAN COIL UNIT INCLUDING ALL SUPPORTS, CONDENSATE LINES, ETC. - SEE MECHANICAL DRAWINGS
D380	DEMO (E) CEILING TILES TO ALLOW FOR MECHANICAL DUCT WORK INSTALLATION. REPLACE WITH (N) SIMILAR TO EXISTING
E105	(E) LIGHT FIXTURES TO REMAIN. PROTECT IN PLACE
E209	LINE OF (E) ROOF ABOVE SHOWN DASHED
N211	REPLACE (E) DIFFUSERS AND GRILLES TO MATCH (E) CEILING TILES. REFER TO MECHANICAL DRAWINGS
N212	REPLACE (E) IN-FL PANEL AT CONDENSATE UNIT PENETRATIONS WITH GLAZING TO MATCH ADJACENT. PAINT FRAME TO MATCH ADJACENT

- REFLECTED CEILING PLAN GENERAL NOTES**
- REFLECTED CEILING PLAN GENERAL NOTES APPLY TO ALL REFLECTED CEILING PLAN SHEETS.
 - ALL CEILING GRID/PANELS SHALL BE CENTERED IN EACH ROOM UNLESS NOTED OTHERWISE.
 - CEILING HEIGHTS ARE TO REMAIN U.N.O. REFLECTED CEILING PLANS ARE MEASURED FROM THE FINISHED FLOOR OF THE ROOM.
 - IN ARCHITECTURAL CEILING PANELS WITH SCORE IN THE CENTER CENTER DEVICES IN ONE HALF OF THE TILE. DO NOT LOCATE ON THE SCORE. FOR ACP WITH MULTIPLE SCORED PATTERNS, COORDINATE LOCATION WITH THE ARCHITECT.
 - PROVIDE SUSPENSION SYSTEM AROUND ELECTRICAL FIXTURES, MECHANICAL GRILLES, DIFFUSERS, AND OTHER CEILING MOUNTED DEVICES. AT ARCHITECTURAL FINISH CEILING.
 - ALL DIMENSIONS ON REFLECTED CEILING PLANS ARE ACTUAL AND ARE TO THE FOLLOWING UNLESS NOTED OTHERWISE:
 - FACE OF FINISHED WALL
 - FACE OF FINISHED BULKHEADS
 - CENTERLINE OF COLUMNS
 - CENTERLINE OF BEAMS
 - IN AREAS WITH EXPOSED STRUCTURE CEILINGS, COORDINATE EXACT LOCATIONS OF MECHANICAL GRILLES, DIFFUSERS, FIXTURES AND ELECTRICAL FIXTURES WITH EACH REPRESENTATIVE SUBCONTRACTOR.

- DEMOLITION GENERAL NOTES**
- DEMOLITION NOTES APPLY TO ALL DEMOLITION SHEETS.
- THE CONTRACTOR SHALL:
- COORDINATE ALL DEMOLITION AND PHASING EFFORTS WITH THE ARCHITECT AND OWNER'S REPRESENTATIVE. EVERY EFFORT SHALL BE MADE TO MINIMIZE DISRUPTION OF DRIVERS OPERATIONS. EXCESSIVE NOISE OR VIBRATION SHALL BE PRE-APPROVED AND COORDINATED WITH THE OWNER'S REPRESENTATIVE. IN ALL CASES, PROVISIONS SHALL BE MADE FOR USER'S SAFETY.
 - COORDINATE ANY DISRUPTION OF UTILITY SERVICES WITH THE OWNER AND AS SPECIFIED.
 - CONSTRUCT TEMPORARY CONSTRUCTION PARTITIONS WITHIN THE EXISTING BUILDING WHICH OFFER A ONE-HOUR ENCLOSURE TO ISOLATE ANY DEMOLITION/CONSTRUCTION WORK FROM THE GENERAL PUBLIC AND AS DEEMED NECESSARY BY THE OWNER AND CODE OFFICIAL HAVING JURISDICTION. COORDINATE LOCATIONS WITH THE OWNER AND MAINTAIN MEANS OF EGRESS THROUGHOUT THE WORK.
 - MAINTAIN A SECURE, WEATHER-TIGHT ENCLOSURE AT ALL TIMES.
 - VERIFY ALL EXISTING CONDITIONS, DIMENSIONS AND ELEVATIONS AND NOTIFY THE ARCHITECT OF ANY DISCREPANCIES.
 - REMOVE IN THEIR ENTIRETY ALL EXISTING WALLS, DOORS, MILLWORK, PLUMBING FIXTURES, CEILING, SCHEDULED MARKERBOARDS, AND OTHER ITEMS, AS REQUIRED TO EXECUTE THE DEMOLITION/CONSTRUCTION WORK DESCRIBED BY THE DRAWINGS.
 - THE OWNER SHALL RESERVE THE RIGHT TO SALVAGE ANY MATERIALS.
 - PROVIDE PROTECTION FOR ALL EXISTING BUILDING MATERIALS AND EQUIPMENT FROM DAMAGE DUE TO ANY DEMOLITION OR CONSTRUCTION-RELATED INCIDENT PERFORMED UNDER THIS CONTRACT.
 - REPAIR OR REPLACE ITEMS THAT ARE DAMAGED AS A RESULT OF DEMOLITION OR CONSTRUCTION TO MATCH EXISTING FINISH AND/OR CONDITION.
 - EXISTING MATERIALS SHALL NOT BE REUSED UNLESS NOTED OTHERWISE OR AS AUTHORIZED BY ARCHITECT.
 - VERIFY AND MAINTAIN THE LOCATION OF EXISTING POWER, COMMUNICATION AND DATA CABLES TO PREVENT INTERRUPTION OF THEIR SERVICE.
 - PATCH FLOOR, WALL AND CEILING PENETRATIONS RESULTING FROM REMOVAL OR RE-ROUTING OF NEW OR EXISTING PIPING, DUCTWORK, CONDUIT, AND OTHER ITEMS, AS REQUIRED TO MAINTAIN FIRE-RESISTANCE-RATED SEPARATIONS. FINISH AS REQUIRED FOR NEW OR EXISTING ADJACENT SURFACES.
 - CAP ALL DISCONNECTED MECHANICAL SPRINGS WITHIN THE WALL OR FLOOR. PATCH AND FINISH AS REQUIRED TO MATCH NEW OR EXISTING ADJACENT SURFACES.
 - SEE MECHANICAL AND ELECTRICAL DRAWINGS AND NOTES FOR FURTHER SEQUENCING AND SCOPE OF WORK.
 - AVOID ANY DISTURBANCE OF SOILS WITHIN THE ZONE OF INFLUENCE AROUND EXISTING FOOTINGS AND FLOOR SLABS AS DIRECTED BY GEOTECHNICAL INSPECTOR.
 - NOT USED.
 - WHERE PLASTER/STUCCO WALLS ARE INDICATED TO BE REMOVED, PREPARE ADJACENT WALLS TO RECEIVE NEW PATCH/FINISH BY SBR/CUTTING ADJACENT PLASTER FINISH A MINIMUM OF 1'-0" BEYOND DEMOLITION.

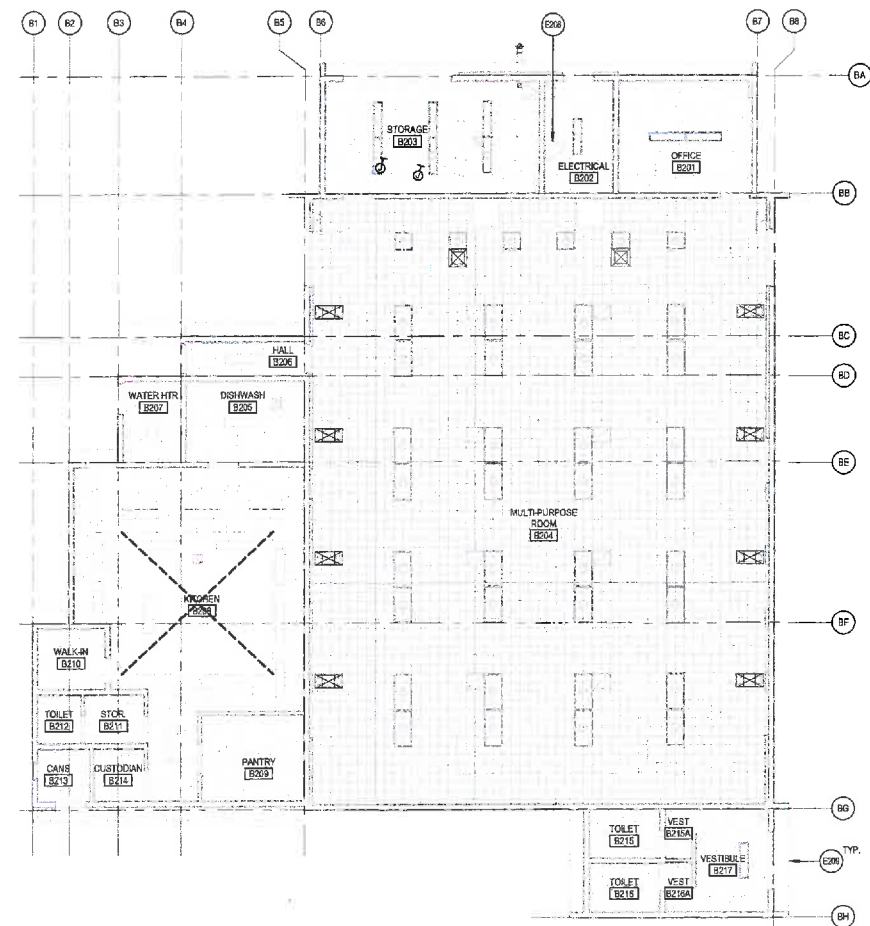


CYPRESS ELEMENTARY SCHOOL
COVID-19-COVINA VALLEY DISTRICT HVAC REPLACEMENT
351 W. CYPRESS ST. COVINA, CA 91723

100% CONSTRUCTION DOCUMENTS
05/25/2022 REVISONS

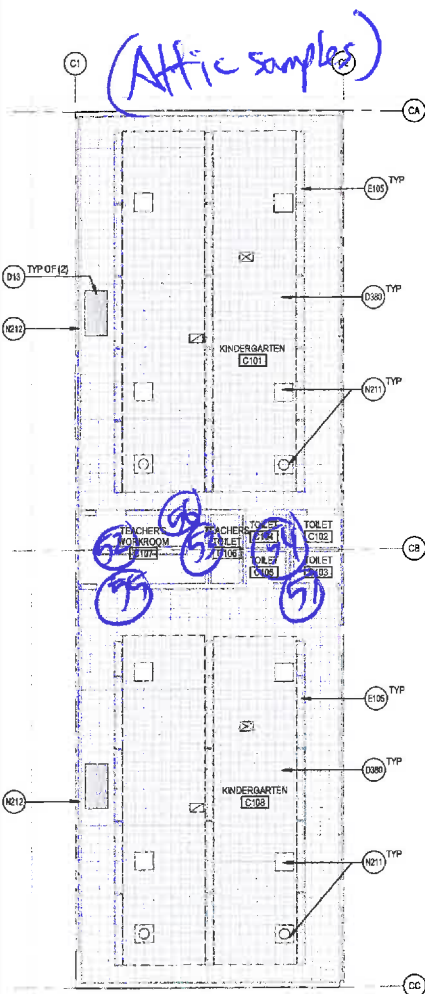
75-22005-00
DSA A03-122230
DSA File #: 19-25
BUILDING H/J REFLECTED CEILING PLANS

A3.1B

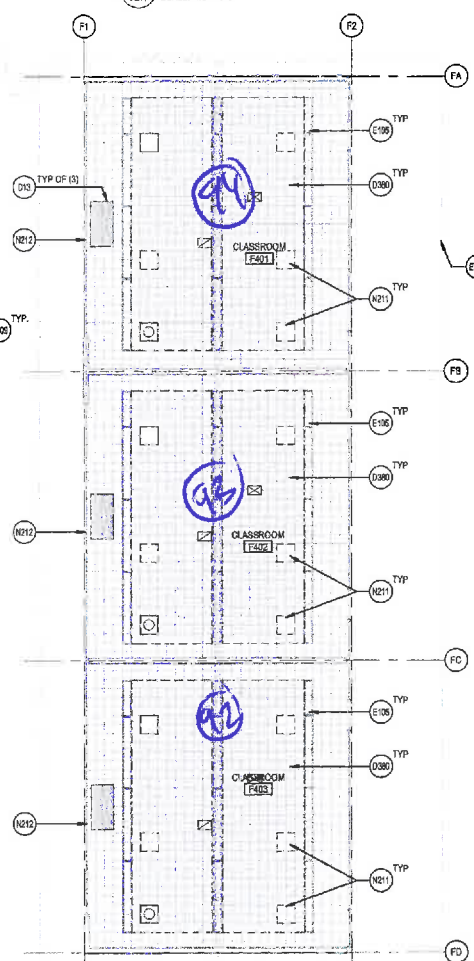


3 BUILDING B REFLECTED CEILING PLAN
A3.1 SCALE: 1/8" = 1'-0"

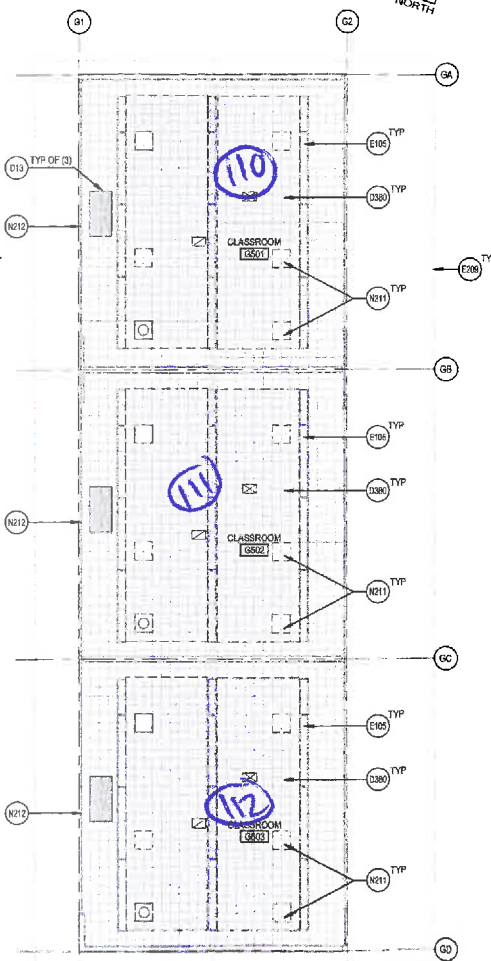
Attic
samples
0-PLM



4 BUILDING C REFLECTED CEILING PLAN
A3.1 SCALE: 1/8" = 1'-0"



4 BUILDING F REFLECTED CEILING PLAN
A3.1 SCALE: 1/8" = 1'-0"



5 BUILDING G REFLECTED CEILING PLAN
A3.1 SCALE: 1/8" = 1'-0"

REFERENCE KEYNOTES

KEYNOTES	DESCRIPTION
E103	REMOVE (E) CEILING MOUNTED FAN COOL UNIT INCLUDING ALL SUPPORTS, CONDUITS, CONDENSATE LINES, ETC. - SEE MECHANICAL DRAWINGS
E106	REMOVE (E) CEILING TILES TO ALLOW FOR MECHANICAL DUCT WORK INSTALLATION. REPLACE WITH (D) SIMILAR TO EXISTING
E105	(E) LIGHT FIXTURES TO REMAIN. PROTECT IN PLACE
E208	(E) ACCESS DOOR TO REMAIN
E209	LINE OF (E) ROOF ABOVE SHOWN DASHED
N211	REPLACE (E) DIFFUSERS AND GRILLES TO MATCH (E) CEILING TILES. REFER TO MECHANICAL DRAWINGS
N212	REPLACE (E) INFLU PANEL AT CONDENSER UNIT PENETRATIONS WITH GLAZING TO MATCH ADJACENT. PAINT FRAME TO MATCH ADJACENT

- REFLECTED CEILING PLAN GENERAL NOTES
- REFLECTED CEILING PLAN GENERAL NOTES APPLY TO ALL REFLECTED CEILING PLAN SHEETS.
 - ALL CEILING GROSSPANELS SHALL BE CENTERED IN EACH ROOM UNLESS NOTED OTHERWISE.
 - CEILING HEIGHTS ARE TO REMAIN UNLESS NOTED OTHERWISE. REFLECTED CEILING PLANS ARE MEASURED FROM THE FINISHED FLOOR OF THE ROOM.
 - IN ARCHITECTICAL CEILING PANELS WITH SCORE IN THE CENTER, CENTER DEVICES IN ONE HALF OF THE TILE. DO NOT LOCATE ON THE SCORE. FOR ACP WITH MULTIPLE SCORED PATTERNS, COORDINATE LOCATION WITH THE ARCHITECT.
 - PROVIDE SUSPENSION SYSTEM AROUND ELECTRICAL FIXTURES, MECHANICAL GRILLES, DIFFUSERS, AND OTHER CEILING MOUNTED DEVICES AT ARCHITECTICAL PANEL CEILING.
 - ALL DIMENSIONS ON REFLECTED CEILING PLANS ARE ACTUAL AND ARE TO THE FOLLOWING UNLESS NOTED OTHERWISE:
 - FACE OF FINISHED WALL
 - FACE OF FINISHED BULKHEADS
 - CENTERLINE OF COLUMNS
 - CENTERLINE OF TIES
 - IN AREAS WITH EXPOSED STRUCTURE CEILINGS, COORDINATE EXACT LOCATIONS OF MECHANICAL GRILLES, DIFFUSERS, DUCTWORK AND ELECTRICAL FIXTURES WITH EACH REPRESENTATIVE SUBCONTRACTOR.

- DEMOLITION GENERAL NOTES
- DEMOLITION NOTES APPLY TO ALL DEMOLITION SHEETS.
- THE CONTRACTOR SHALL:
- COORDINATE ALL DEMOLITION AND PHASING EFFORTS WITH THE ARCHITECT AND OWNER'S REPRESENTATIVE. EVERY EFFORT SHALL BE MADE TO MINIMIZE DISRUPTION OF OWNERS OPERATIONS. EXCESSIVE NOISE OR VIBRATION SHALL BE PRE-APPROVED AND COORDINATED WITH THE OWNER'S REPRESENTATIVE. IN ALL CASES, PROVISIONS SHALL BE MADE FOR USER'S SAFETY.
 - COORDINATE ANY DISRUPTION OF UTILITY SERVICES WITH THE OWNER AND AS SPECIFIED.
 - CONSTRUCT TEMPORARY CONSTRUCTION PARTITIONS WITHIN THE EXISTING BUILDING WHICH OFFER A ONE-HOUR ENCLOSURE TO ISOLATE ANY DEMOLITION/CONSTRUCTION WORK FROM THE GENERAL PUBLIC AND AS DEEMED NECESSARY BY THE OWNER AND CODE OFFICIAL HAVING JURISDICTION. COORDINATE LOCATIONS WITH THE OWNER AND MAINTAIN HEADS OF EGRESS THROUGHOUT THE WORK.
 - MAINTAIN A SECURE, WEATHER-TIGHT ENCLOSURE AT ALL TIMES.
 - VERIFY ALL EXISTING CONDITIONS, DIMENSIONS AND ELEVATIONS AND NOTIFY THE ARCHITECT OF ANY DISCREPANCIES.
 - REMOVE IN THEIR ENTIRETY ALL EXISTING WALLS, DOORS, MILLWORK, PLUMBING FIXTURES, CEILING, SOFFITS, MARKERBOARDS, AND OTHER ITEMS, AS REQUIRED TO EXECUTE THE DEMOLITION/CONSTRUCTION WORK DESCRIBED BY THE DRAWINGS.
 - THE OWNER SHALL RESERVE THE RIGHT TO SALVAGE ANY MATERIALS.
 - PROVIDE PROTECTION FOR ALL EXISTING BUILDING MATERIALS AND EQUIPMENT FROM DAMAGE DUE TO ANY DEMOLITION OR CONSTRUCTION-RELATED INCIDENT PERFORMED UNDER THIS CONTRACT.
 - REPAIR OR REPLACE ITEMS THAT ARE DAMAGED AS A RESULT OF DEMOLITION OR CONSTRUCTION TO MATCH EXISTING FINISH AND/OR CONDITION.
 - EXISTING MATERIALS SHALL NOT BE REUSED UNLESS NOTED OTHERWISE OR AS AUTHORIZED BY ARCHITECT.
 - VERIFY AND MAINTAIN THE LOCATION OF EXISTING POWER, COMMUNICATION AND DATA CABLES TO PREVENT INTERRUPTION OF THEIR SERVICE.
 - PATCH FLOOR, WALL AND CEILING PENETRATIONS RESULTING FROM REMOVAL OR RE-ROUTING OF NEW OR EXISTING PIPING, DUCTWORK, CONDUIT AND OTHER ITEMS, AS REQUIRED TO MAINTAIN FIRE-RESISTANCE-RATED SEPARATIONS. FINISH AS REQUIRED FOR NEW OR EXISTING ADJACENT SURFACES.
 - DAF ALL DISCONNECTED MECHANICAL BRINGS WITHIN THE WALL OR FLOOR. PATCH AND FINISH AS REQUIRED TO MATCH NEW OR EXISTING ADJACENT SURFACES.
 - SEE MECHANICAL AND ELECTRICAL DRAWINGS AND NOTES FOR FURTHER SEQUENCING AND SCOPE OF WORK.
 - AVOID ANY DISTURBANCE OF SOILS WITHIN THE ZONE OF INFLUENCE AROUND EXISTING FOOTINGS AND FLOOR SLABS AS DIRECTED BY GEOTECHNICAL INSPECTOR.
 - NOT USED.
 - WHERE PLASTER/STUO WALLS ARE INDICATED TO BE REMOVED, PREPARE ADJACENT WALLS TO RECEIVE NEW PATCH/FINISH BY SAWCUTTING ADJACENT PLASTER FINISH A MINIMUM OF 1'-0" BEYOND DEMOLITION.



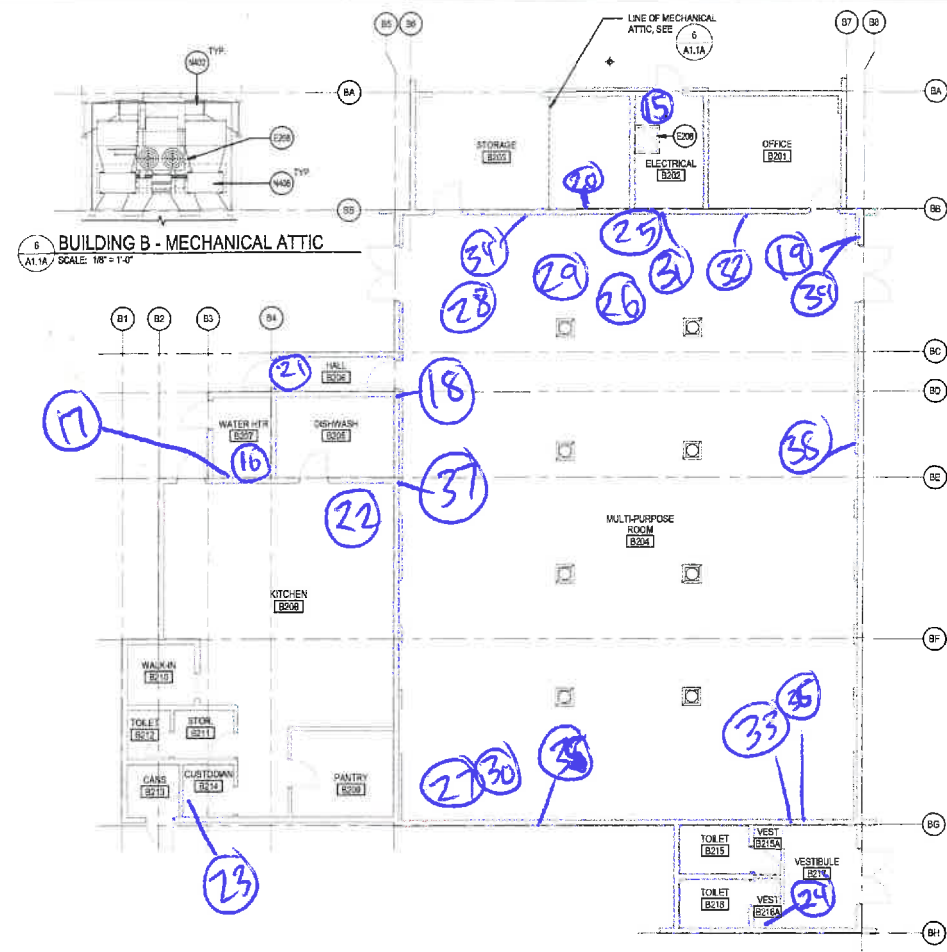
CYPRESS ELEMENTARY SCHOOL
COVID 19- COVIDA VALLEY DISTRICT HVAC REPLACEMENT
361 W. CYPRESS ST. COVINA, CA 91723

100% CONSTRUCTION DOCUMENTS
05/05/2022
REVISIONS

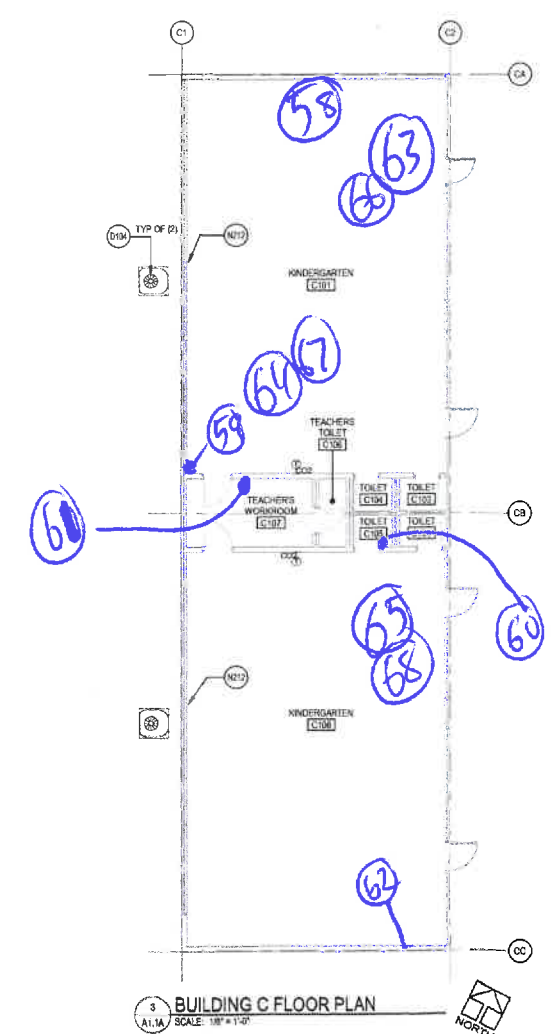
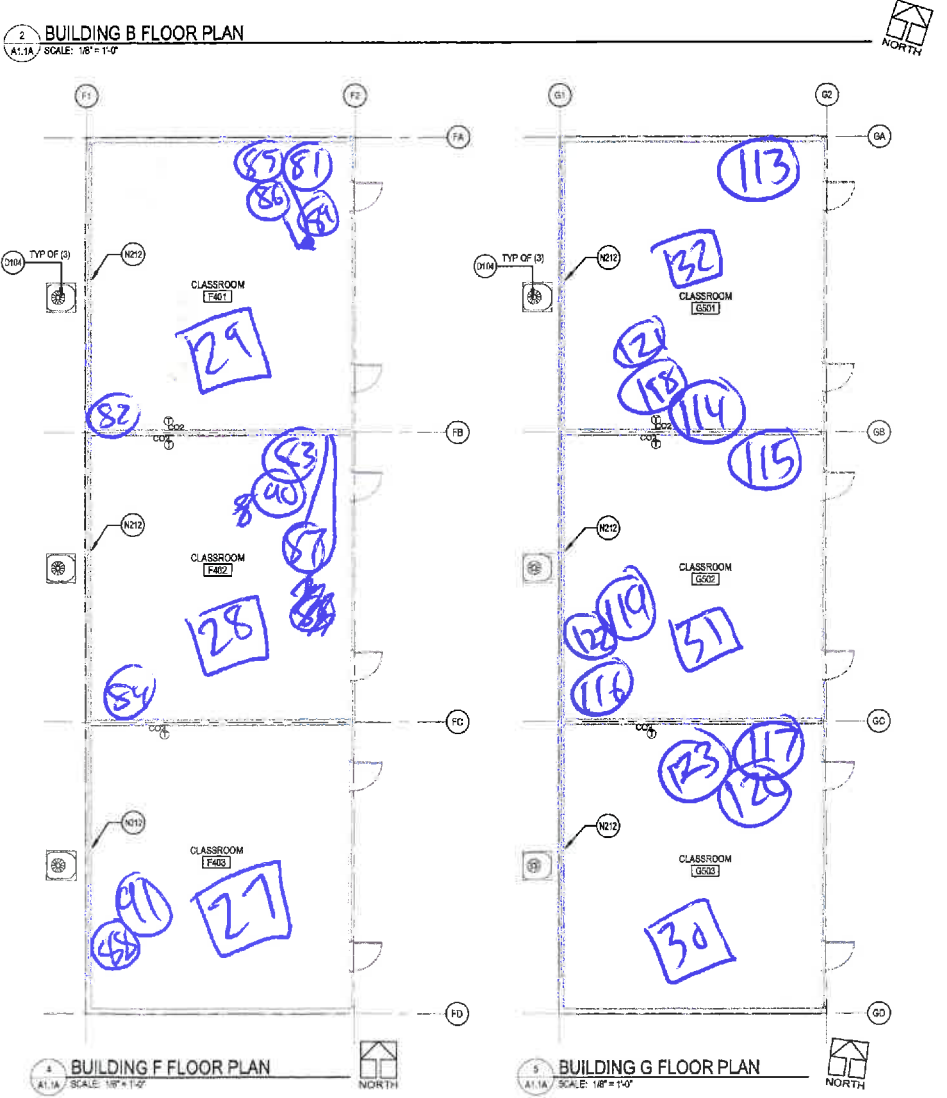
75-23605-00
DSA A003-122230
DSA File #: 19-25
BUILDING ABCFG
REFLECTED CEILING PLANS

A3.1

c:\data\Draw\175-22805-00\CVUSD - District Wide HVAC Replacement\175-22805-00_CVUSD_Cypress_EE_AR_2023.rvt
 2/20/23 2:20:27 PM



Interior Samples
 0-PLM



REFERENCE KEYNOTES

KEYNOTES

0104	REMOVE (E) MECHANICAL EQUIP., EQUIP. CONC. PAD, & ITS ASSOCIATED PARTS. SEE MECHANICAL & PLUMBING DWG. CONTRACTOR TO PATCH AND REPAIR AREA OF DEMO WITH (N) ASPHALT, (R) CONCRETE OR (I) LANDSCAPING TO MATCH ADJACENT SURFACE.
E208	(E) ACCESS DOOR TO REMAIN.
N212	REPLACE (E) INFL. PANEL AT CONDENSER UNIT PENETRATIONS WITH GLAZING TO MATCH ADJACENT. PAINT FRAME TO MATCH ADJACENT.
N402	NEW DUCTWORK. SEE MECHANICAL DRAWINGS FOR ADDITIONAL INFORMATION.
N408	(R) MECHANICAL UNITS ATTACHED TO THE (E) UNIT CURSE. SEE MECHANICAL DRAWING SHEET M7.3, M7.4 AND M7.5.

- GENERAL ARCHITECTURAL NOTES**
- ALL (E) INTERIOR WALLS SHALL BE TO REMAIN UNDO.
 - NOT USED.
 - FURNISH AND INSTALL FIRE-TREATED WOOD BLOCKING OR METAL BACKING PLATE IN METAL STUD PARTITIONS FOR THE PROPER ANCHORAGE OF ALL WALL ATTACHED ITEMS. I.E. TOILET ACCESSORIES, CASEWORK, ML WORK, WALL-MOUNTED FIXTURES, MARKER BOARDS, TRACK BOARDS, DOOR STOPS, AUDIO VISUAL BRACKETS, AND OTHER WALL ATTACHED ITEMS WHERE OCCURS.
 - GYPSON BOARD SURFACES SHALL BE ISOLATED WITH CONTROL JOINTS WHERE SHOWN ON DRAWINGS AND AS DESCRIBED IN THE SPECIFICATIONS.
 - NOT USED.
 - SCRIBE GYPSON WALL BOARD OF WALLS AND PARTITIONS TO PRELAP Joints OF JOINT ABOVE. SEAL TIGHTLY AROUND ALL PENETRATIONS.
 - MAINTAIN (E) SEISMIC BRACING FOR SUSPENDED CEILING OR AS SHOWN ON THE DRAWINGS.

- DEMOLITION GENERAL NOTES**
- DEMOLITION NOTES APPLY TO ALL DEMOLITION SHEETS.
- THE CONTRACTOR SHALL:
- COORDINATE ALL DEMOLITION AND PHASING EFFORTS WITH THE ARCHITECT AND OWNER'S REPRESENTATIVE. EVERY EFFORT SHALL BE MADE TO MINIMIZE DISRUPTION OF OWNER'S OPERATIONS. EXCESSIVE NOISE OR VIBRATION SHALL BE PRE-APPROVED AND COORDINATED WITH THE OWNER'S REPRESENTATIVE. IN ALL CASES, PROVISIONS SHALL BE MADE FOR USER'S SAFETY.
 - COORDINATE ANY DISRUPTION OF UTILITY SERVICES WITH THE OWNER AND AS SPECIFIED.
 - CONSTRUCT TEMPORARY CONSTRUCTION PARTITIONS WITHIN THE EXISTING BUILDING WHICH OFFER A ONE-HOUR ENCLOSURE TO ISOLATE ANY DEMOLITION/CONSTRUCTION WORK FROM THE GENERAL PUBLIC AND AS DEEMED NECESSARY BY THE OWNER AND CODE OFFICIAL HAVING JURISDICTION. COORDINATE LOCATIONS WITH THE OWNER AND MAINTAIN MEANS OF EGRESS THROUGHOUT THE WORK.
 - MAINTAIN A SECURE, WEATHER-TIGHT ENCLOSURE AT ALL TIMES.
 - VERIFY ALL EXISTING CONDITIONS, DIMENSIONS AND ELEVATIONS AND NOTIFY THE ARCHITECT OF ANY DISCREPANCIES.
 - REMOVE IN THEIR ENTIRETY ALL EXISTING WALLS, DOORS, MILL WORK, PLUMBING FIXTURES, CEILING, SOFFITS, MARKERBOARDS, AND OTHER ITEMS, AS REQUIRED TO EXECUTE THE DEMOLITION/CONSTRUCTION WORK DESCRIBED BY THE DRAWINGS.
 - THE OWNER SHALL RESERVE THE RIGHT TO SALVAGE ANY MATERIALS.
 - PROVIDE PROTECTION FOR ALL EXISTING BUILDING MATERIALS AND EQUIPMENT FROM DAMAGE DUE TO ANY DEMOLITION OR CONSTRUCTION-RELATED INCIDENT PERFORMED UNDER THIS CONTRACT.
 - REPAIR OR REPLACE ITEMS THAT ARE DAMAGED AS A RESULT OF DEMOLITION OR CONSTRUCTION TO MATCH EXISTING FINISH AND/OR CONDITION.
 - EXISTING MATERIALS SHALL NOT BE REUSED UNLESS NOTED OTHERWISE OR AS AUTHORIZED BY ARCHITECT.
 - VERIFY AND MAINTAIN THE LOCATION OF EXISTING POWER, COMMUNICATION AND DATA CABLES TO PREVENT INTERRUPTION OF THEIR SERVICE.
 - PATCH FLOOR, WALL AND CEILING PENETRATIONS RESULTING FROM REMOVAL OR RE-ROUTING OF NEW OR EXISTING PIPING, DUCTWORK, CONDUIT, AND OTHER ITEMS, AS REQUIRED TO MAINTAIN FIRE-RESISTANCE-RATED SEPARATIONS. FINISH AS REQUIRED FOR NEW OR EXISTING ADJACENT SURFACES.
 - CAP ALL DISCONNECTED MECHANICAL PIPING LINES WITHIN THE WALL OR FLOOR. PATCH AND FINISH AS REQUIRED TO MATCH NEW OR EXISTING ADJACENT SURFACES.
 - SEE MECHANICAL AND ELECTRICAL DRAWINGS AND NOTES FOR FURTHER SEQUENCING AND SCOPE OF WORK.
 - AVOID ANY DISTURBANCE OF SOILS WITHIN THE ZONE OF INFLUENCE AROUND EXISTING FOOTINGS AND FLOOR SLABS AS DIRECTED BY GEOTECHNICAL INSPECTOR.
 - NOT USED.
 - WHERE PLASTER/STUCCO WALLS ARE INDICATED TO BE REMOVED, PREPARE ADJACENT WALLS TO RECEIVE NEW PATCH-FINISH BY SANKUTTING ADJACENT PLASTER FINISH A MINIMUM OF 1'-0" BEYOND DEMOLITION.

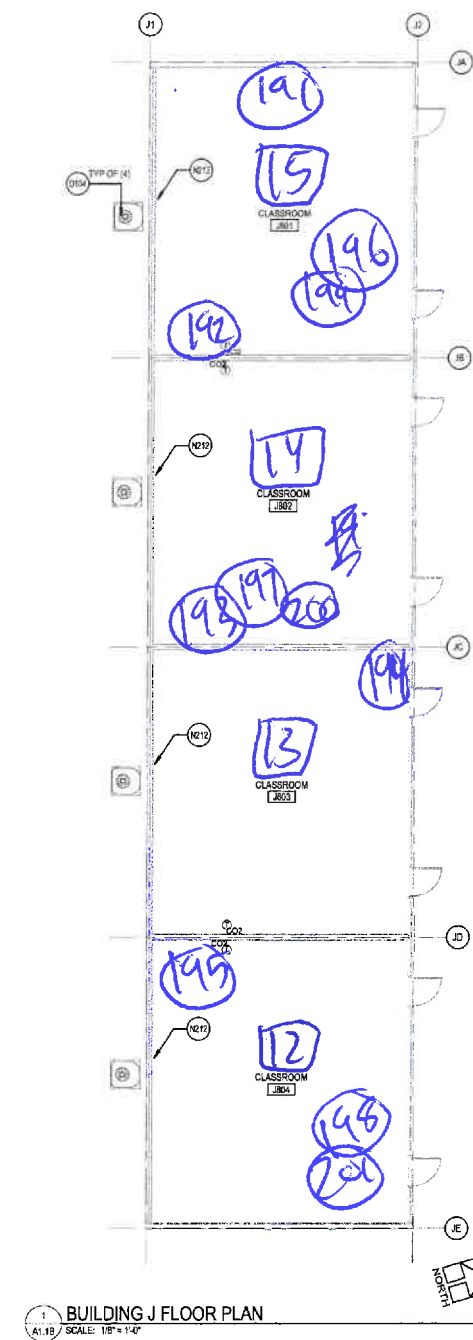
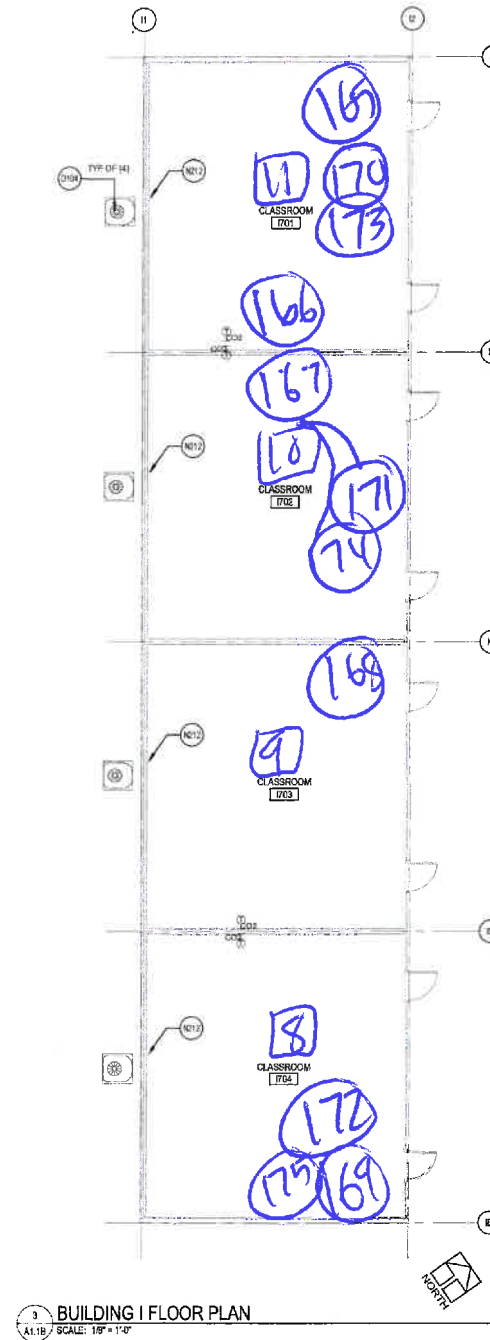
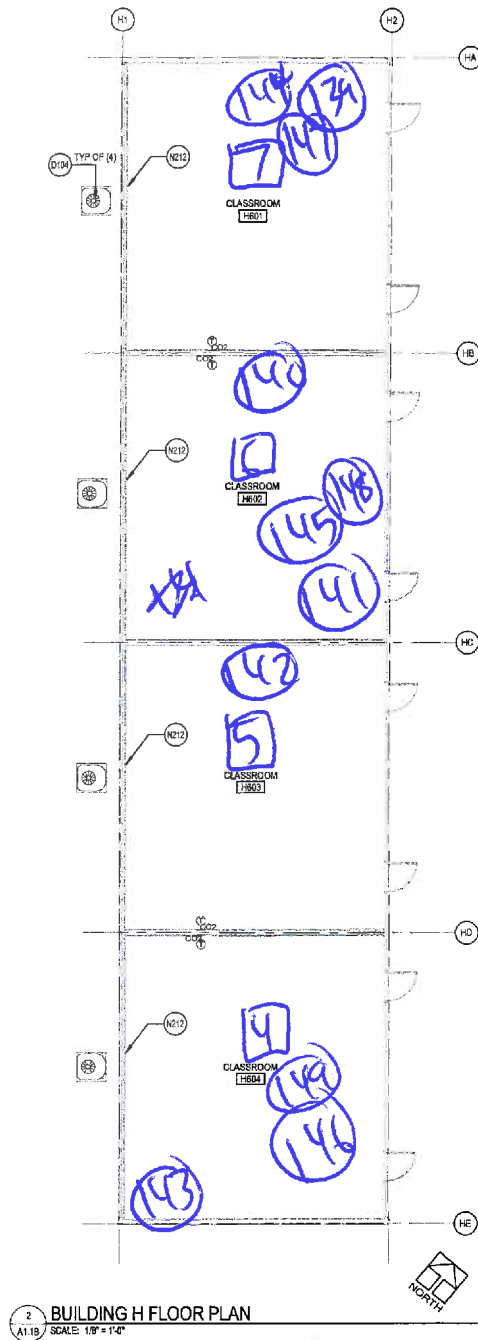


CYPRESS ELEMENTARY SCHOOL
 COVID-19- COVINA VALLEY DISTRICT HVAC REPLACEMENT
 351 W. CYPRESS ST., COVINA, CA 91723

100%
 CONSTRUCTION
 DOCUMENTS
 08/06/2022
 REVISIONS

75-22805-00
 CBA A103-12230
 CBA File #: 19-25
**BUILDING ABCFG
 FLOOR PLANS**

A1.1A



Interior Samples

REFERENCE KEYNOTES

- KEYNOTES**
- D104 REMOVE (E) MECHANICAL EQUIP., EQUIP. CONC. PAUL & ITS ASSOCIATED PARTS. SEE MECHANICAL & PLUMBING DIV. CONTRACTOR TO PATCH AND REPAIR AREA OF DEMO WITH (N) ASPHALT, (N) CONCRETE OR (N) LVS/SCAFFOLD TO MATCH ADJACENT SURFACE
 - R102 REPLACE (E) IN FULL PANEL AT CONDENSER UNIT PENETRATIONS WITH GLAZING TO MATCH ADJACENT. PAINT FRAME TO MATCH ADJACENT

GENERAL ARCHITECTURAL NOTES

- 1. ALL (E) INTERIOR WALLS SHALL REMAIN UNDO.
- 2. NOT USED
- 3. FURNISH AND INSTALL FIRE-TREATED WOOD BLOCKING OR METAL BRACING PLATE IN METAL STUD PARTITIONS FOR THE PROPER ANCHORAGE OF ALL WALL ATTACHED ITEMS, I.E. TOILET ACCESSORIES, CASEWORK, MILLWORK, WALL-MOUNTED FIXTURES, MARKER BOARDS, TACK BOARDS, DOOR STOPS, AUDIO VISUAL BRACKETS, AND OTHER WALL ATTACHED ITEMS WHERE OCCURS
- 4. GYPSUM BOARD SURFACES SHALL BE ISOLATED WITH CONTROL JOINTS WHERE SHOWN ON DRAWINGS AND AS DESCRIBED IN THE SPECIFICATIONS.
- 5. NOT USED
- 6. SCRIBE GYPSUM WALL BOARD OF WALLS AND PARTITIONS TO IRREGULARITIES OF DECK ABOVE. SEAL TIGHTLY AROUND ALL PENETRATIONS.
- 7. MAINTAIN (E) SEISMIC BRACING FOR SUSPENDED CEILING OR AS SHOWN ON THE DRAWINGS.

DEMOLITION GENERAL NOTES

- DEMOLITION NOTES APPLY TO ALL DEMOLITION SHEETS.
- THE CONTRACTOR SHALL:
- A. COORDINATE ALL DEMOLITION AND PHASING EFFORTS WITH THE ARCHITECT AND OWNER'S REPRESENTATIVE. EVERY EFFORT SHALL BE MADE TO MINIMIZE DISRUPTION OF OWNER'S OPERATIONS. EXCESSIVE NOISE OR VIBRATION SHALL BE PRE-APPROVED AND COORDINATED WITH THE OWNER'S REPRESENTATIVE. IN ALL CASES, PROVISIONS SHALL BE MADE FOR USER'S SAFETY.
 - B. COORDINATE ANY DISRUPTION OF UTILITY SERVICES WITH THE OWNER AND AS SPECIFIED.
 - C. CONSTRUCT TEMPORARY CONSTRUCTION PARTITIONS WITHIN THE EXISTING BUILDING WHICH OFFER A ONE-HOUR ENCLOSURE TO ISOLATE ANY DEMOLITION/CONSTRUCTION WORK FROM THE GENERAL PUBLIC AND AS DEFINED NECESSARY BY THE OWNER AND CODE OFFICIAL HAVING JURISDICTION. COORDINATE LOCATIONS WITH THE OWNER AND MAINTAIN MEANS OF EGRESS THROUGHOUT THE WORK.
 - D. MAINTAIN A SECURE, WEATHER-TIGHT ENCLOSURE AT ALL TIMES.
 - E. VERIFY ALL EXISTING CONDITIONS, DIMENSIONS AND ELEVATIONS AND NOTIFY THE ARCHITECT OF ANY DISCREPANCIES.
 - F. REMOVE IN THEIR ENTIRETY ALL EXISTING WALLS, DOORS, MILLWORK, PLUMBING FIXTURES, CEILING, SOFFITS, MARKERBOARDS, AND OTHER ITEMS AS REQUIRED TO EXECUTE THE DEMOLITION/CONSTRUCTION WORK DESCRIBED BY THE DRAWINGS.
 - G. THE OWNER SHALL RESERVE THE RIGHT TO SALVAGE ANY MATERIALS.
 - H. PROVIDE PROTECTION FOR ALL EXISTING BUILDING MATERIALS AND EQUIPMENT FROM DAMAGE DUE TO ANY DEMOLITION OR CONSTRUCTION-RELATED INCIDENT PERFORMED UNDER THIS CONTRACT.
 - I. REPAIR OR REPLACE ITEMS THAT ARE DAMAGED AS A RESULT OF DEMOLITION OR CONSTRUCTION TO MATCH EXISTING FINISH AND/OR CONDITION.
 - J. EXISTING MATERIALS SHALL NOT BE REUSED UNLESS NOTED OTHERWISE OR AS AUTHORIZED BY ARCHITECT.
 - K. VERIFY AND MAINTAIN THE LOCATION OF EXISTING POWER, COMMUNICATION AND DATA CABLES TO PREVENT INTERRUPTION OF THEIR SERVICE.
 - L. PATCH FLOOR, WALL AND CEILING PENETRATIONS RESULTING FROM REMOVAL OR RE-ROUTING OF NEW OR EXISTING PIPING, DUCTWORK, CONDUIT, AND OTHER ITEMS AS REQUIRED TO MAINTAIN FIRE-RESISTANCE RATED SEPARATIONS. FINISH AS REQUIRED FOR NEW OR EXISTING ADJACENT SURFACES.
 - M. CAP ALL DISCONNECTED MECHANICAL PIPING LINES WITHIN THE WALL OR FLOOR. PATCH AND FINISH AS REQUIRED TO MATCH NEW OR EXISTING ADJACENT SURFACES.
 - N. SEE MECHANICAL AND ELECTRICAL DRAWINGS AND NOTES FOR FURTHER SEQUENCING AND SCOPE OF WORK.
 - O. AVOID ANY DISTURBANCE OF SOILS WITHIN THE ZONE OF INFLUENCE AROUND EXISTING FOOTINGS AND FLOOR SLABS AS DIRECTED BY GEOTECHNICAL INSPECTOR.
 - P. NOT USED
 - Q. WHERE PLASTER/STUO WALLS ARE INDICATED TO BE REMOVED, PREPARE ADJACENT WALLS TO RECEIVE NEW PATCH/FINISH BY SAWCUTTING ADJACENT PLASTER FINISH A MINIMUM OF 1'-0" BEYOND DEMOLITION.

DLR Group
ARCHITECTS

JESSE MILLER
REGISTERED ARCHITECT
NO. 00397
MAY 17 2023
STATE OF CALIFORNIA

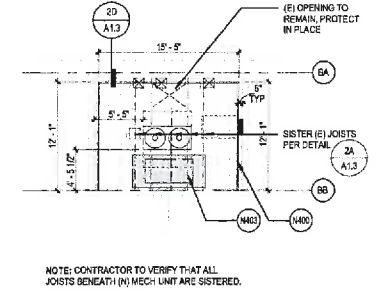
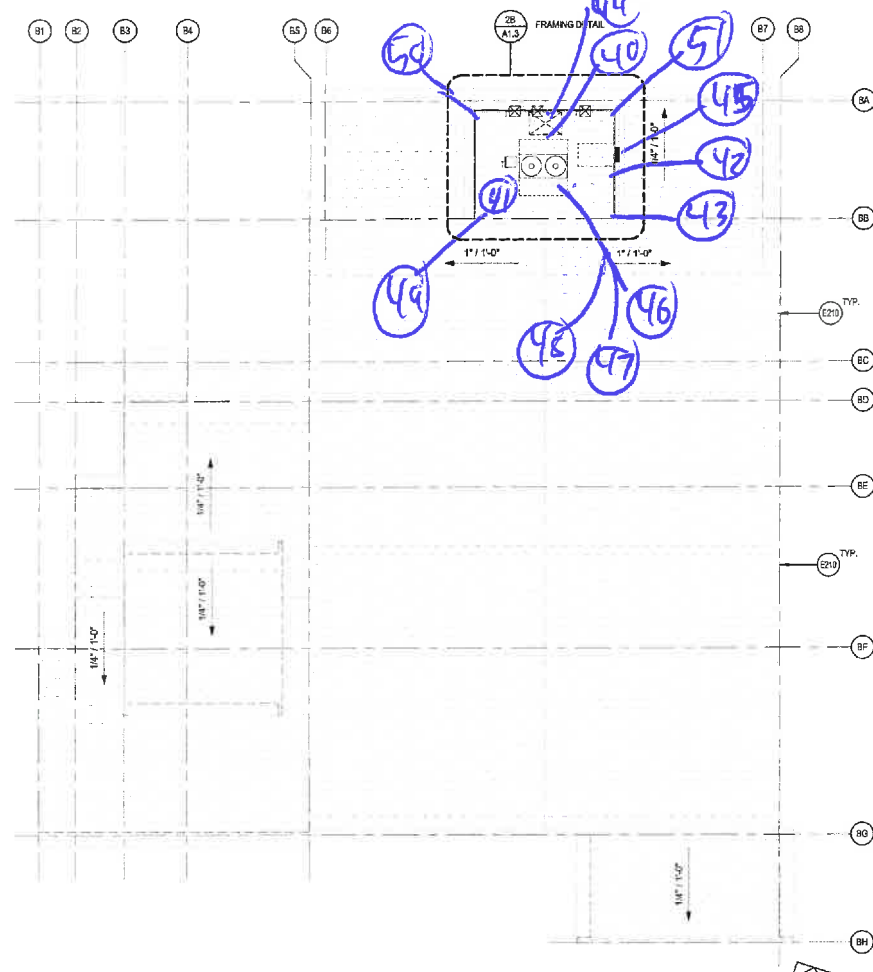
CS&S

CYPRESS ELEMENTARY SCHOOL
COVID 19- COVID VALLEY DISTRICT HVAC REPLACEMENT
381 W. CYPRESS ST., COVINA, CA 91723

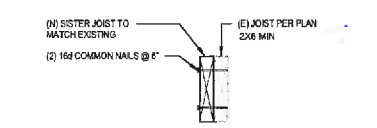
100% CONSTRUCTION DOCUMENTS
05/05/2022
REVISIONS

75-22806-30
DSA 4833-122330
DSA File #: 19-26
BUILDING H/J FLOOR PLANS

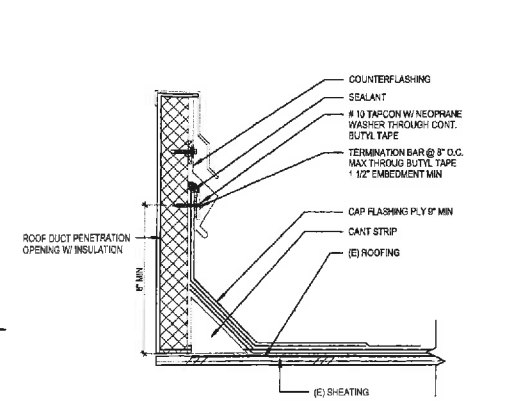
A1.1B



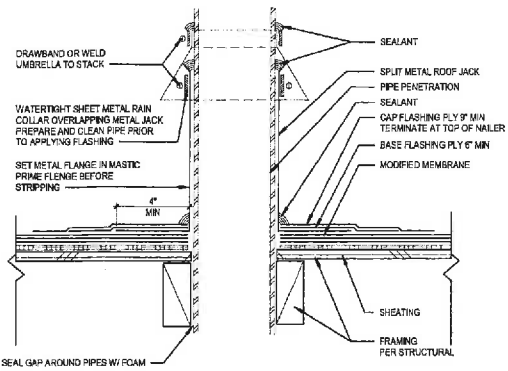
2B BUILDING B ROOF PLAN
SCALE: 1/8" = 1'-0"



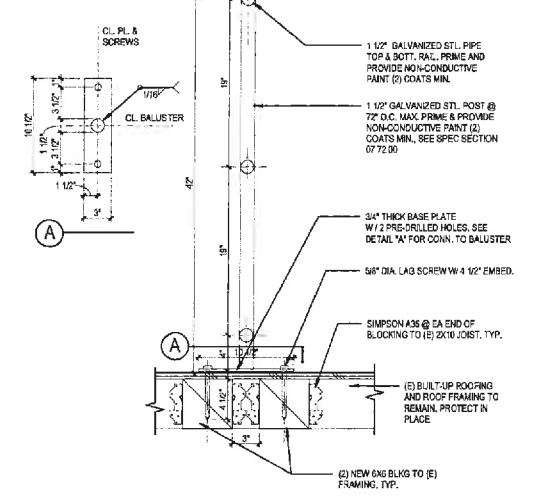
2A SISTER JOIST
SCALE: 1/12" = 1'-0"



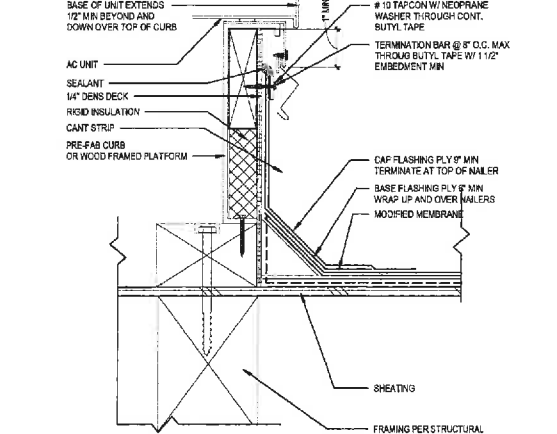
2C TYPICAL MECHANICAL DUCT PENETRATION FLASHING
SCALE: 3/4" = 1'-0"



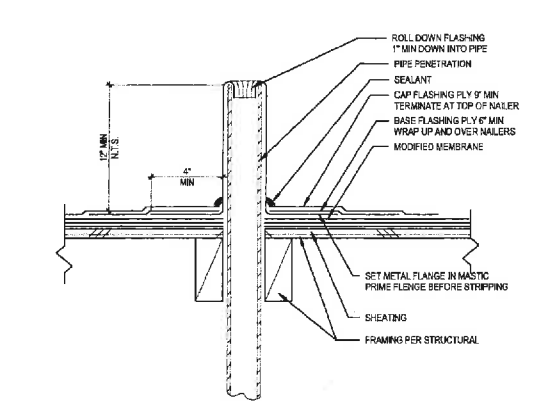
3B MOD BITUM - PIPE PENETRATION FLASHING
SCALE: 3/4" = 1'-0"



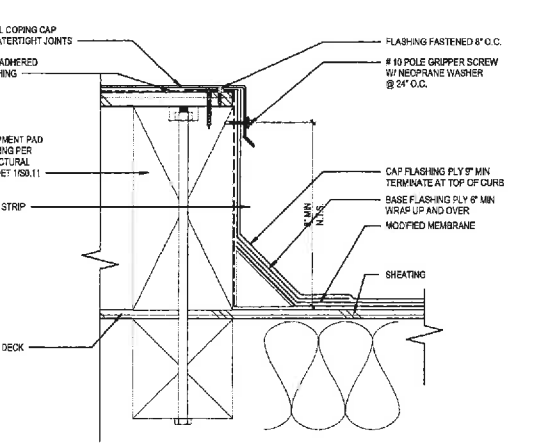
2D HVAC ROOF GUARDRAIL - WD FRAMING
SCALE: 1/12" = 1'-0"



2E ACU CURB FLASHING
SCALE: 3/4" = 1'-0"



3F MOD BITUM - VENT PIPE FLASHING
SCALE: 3/4" = 1'-0"



3A MOD BITUM - EQUIPMENT PAD
SCALE: 3/4" = 1'-0"

REFERENCE KEYNOTES

KEYNOTES	KEYNOTES
R210	LINE OF (E) BLDG BELOW SHOWN DASHED
N430	NEW FRESH AIR METAL GUARDRAIL SYSTEM. SEE SUPPLIER FOR ANCHORAGE AND SPEC SECTION 05 52 00 AND DET. Z0A13
N463	(M) MECHANICAL UNITS ATTACHED TO THE (N) UNIT CURBS. SEE MECHANICAL DRAWINGS SHEETS M7.1, M7.4 AND M7.5
N618	(R) ROOF PATCHING IN AREA OF WORK

ROOF PLAN GENERAL NOTES

- (E) ROOF CURBS TO REMAIN U.N.O. SEE MECHANICAL DRAWINGS SHEET M1.3C FOR ADDITIONAL INFORMATION.
- COORDINATE THE SIZE AND LOCATION OF WALL PENETRATIONS FOR MECHANICAL AND ELECTRICAL EQUIPMENT. REFER TO MECHANICAL AND ELECTRICAL DRAWINGS FOR PENETRATIONS NOT SHOWN ON THIS DRAWING.
- (E) DRAINS, CURBS, VENTS AND STACKS TO REMAIN.

DEMOLITION GENERAL NOTES

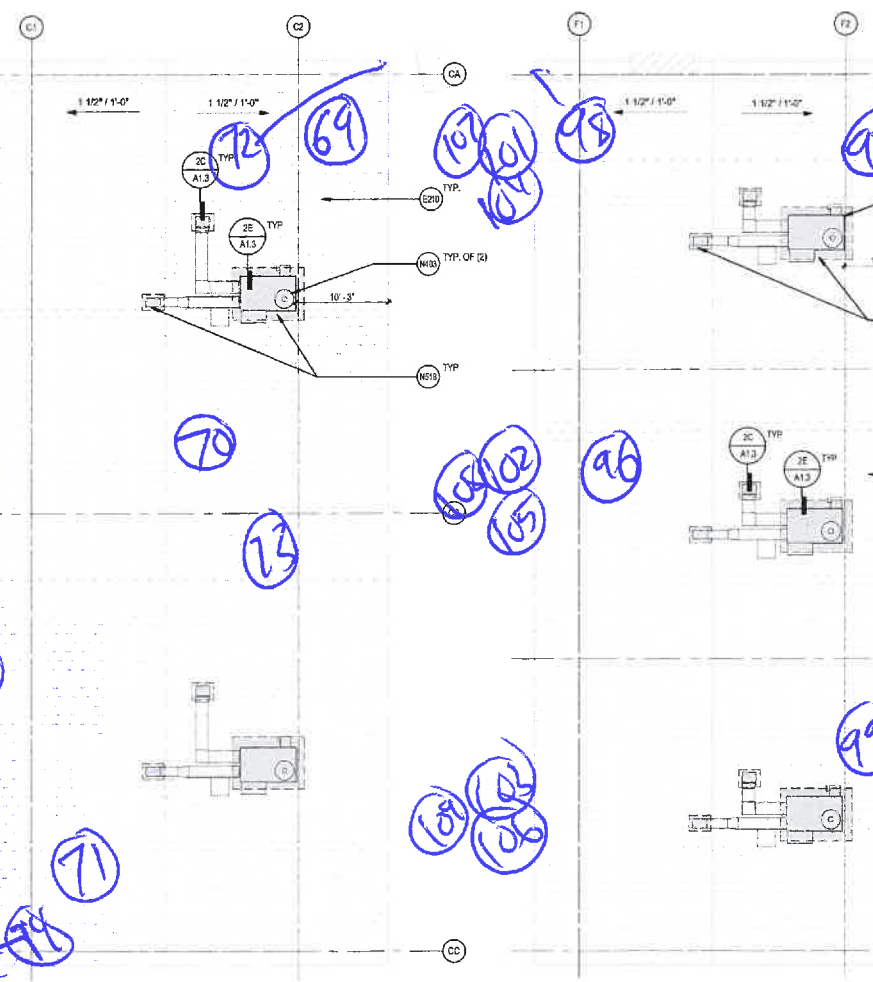
DEMOLITION NOTES APPLY TO ALL DEMOLITION SHEETS.

THE CONTRACTOR SHALL:

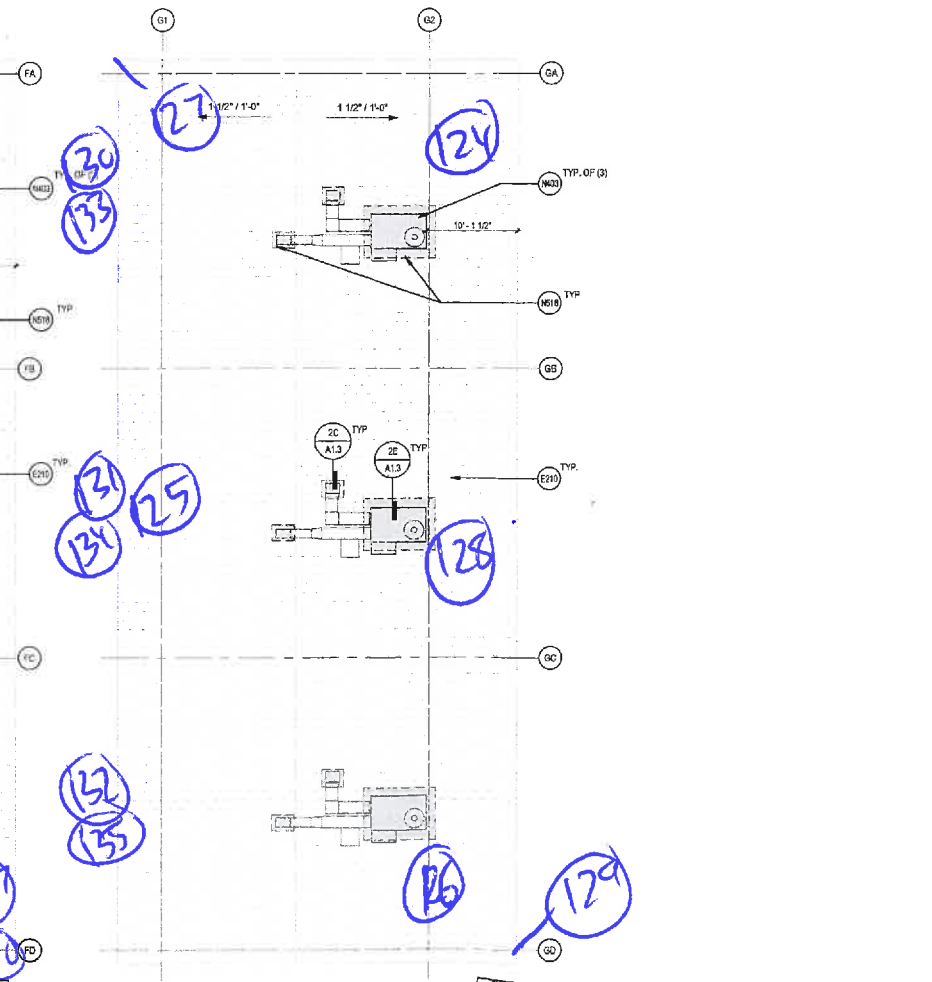
- COORDINATE ALL DEMOLITION AND PHASING EFFORTS WITH THE ARCHITECT AND OWNER'S REPRESENTATIVE. EVERY EFFORT SHALL BE MADE TO MINIMIZE DISRUPTION OF OWNER'S OPERATIONS. EXCESSIVE NOISE OR VIBRATION SHALL BE PRE-APPROVED AND COORDINATED WITH THE OWNER'S REPRESENTATIVE. IN ALL CASES, PROVISIONS SHALL BE MADE FOR USER'S SAFETY.
- COORDINATE ANY DISRUPTION OF UTILITY SERVICES WITH THE OWNER AND AS SPECIFIED.
- CONSTRUCT TEMPORARY CONSTRUCTION PARTITIONS WITHIN THE EXISTING BUILDING WHICH OFFER A ONE-HOUR ENCLOSURE TO ISOLATE ANY DEMOLITION CONSTRUCTION WORK FROM THE GENERAL PUBLIC AND AS DEEMED NECESSARY BY THE OWNER AND CODE OFFICIAL HAVING JURISDICTION. COORDINATE LOCATIONS WITH THE OWNER AND MAINTAIN MEANS OF EGRESS THROUGHOUT THE WORK.
- MAINTAIN A SECURE, WEATHER-TIGHT ENCLOSURE AT ALL TIMES.
- VERIFY ALL EXISTING CONDITIONS, DIMENSIONS AND ELEVATIONS AND NOTIFY THE ARCHITECT OF ANY DISCREPANCIES.
- REMOVE IN THEIR ENTIRETY ALL EXISTING WALLS, DOORS, MILL WORK, PLUMBING FIXTURES, CEILING, SCOFFS, MARKERBOARDS, AND OTHER ITEMS AS REQUIRED TO EXECUTE THE DEMOLITION CONSTRUCTION WORK DESCRIBED BY THE DRAWINGS.
- THE OWNER SHALL RESERVE THE RIGHT TO SALVAGE ANY MATERIALS.
- PROVIDE PROTECTION FOR ALL EXISTING BUILDING MATERIALS AND EQUIPMENT FROM DAMAGE DUE TO ANY DEMOLITION OR CONSTRUCTION-RELATED INCIDENT PERFORMED UNDER THIS CONTRACT.
- REPAIR OR REPLACE ITEMS THAT ARE DAMAGED AS A RESULT OF DEMOLITION OR CONSTRUCTION TO MATCH EXISTING FINISH AND/OR CONDITION.
- EXISTING MATERIALS SHALL NOT BE REUSED UNLESS NOTED OTHERWISE OR AS AUTHORIZED BY ARCHITECT.
- VERIFY AND MAINTAIN THE LOCATION OF EXISTING POWER, COMMUNICATION AND DATA CABLES TO PREVENT INTERRUPTION OF THEIR SERVICE.
- PATCH FLOOR, WALL AND CEILING PENETRATIONS RESULTING FROM REMOVAL OR RE-ROUTING OF NEW OR EXISTING PIPING, DUCTWORK, CONDUIT AND OTHER ITEMS AS REQUIRED TO MAINTAIN FIRE-RESISTANCE-RATED SEPARATIONS. FINISH AS REQUIRED FOR NEW OR EXISTING ADJACENT SURFACES.
- CAP ALL DISCONNECTED MECHANICAL PIPING LINES WITHIN THE WALL OR FLOOR. PATCH AND FINISH AS REQUIRED TO MATCH NEW OR EXISTING ADJACENT SURFACES.
- SEE MECHANICAL AND ELECTRICAL DRAWINGS AND NOTES FOR FURTHER SEQUENCING AND SCOPE OF WORK.
- AVOID ANY DISTURBANCE OF SOILS WITHIN THE ZONE OF INFLUENCE AROUND EXISTING FOOTINGS AND FLOOR SLABS AS DIRECTED BY GEOTECHNICAL INSPECTOR.
- NOT USED.
- WHERE PLASTERED WALLS ARE INDICATED TO BE REMOVED, PREPARE ADJACENT WALLS TO RECEIVE NEW PATCH FINISH BY SAWCUTTING ADJACENT PLASTER FINISH A MINIMUM OF 1'-0" BEYOND DEMOLITION.

*O-PLM
Roof
Samples*

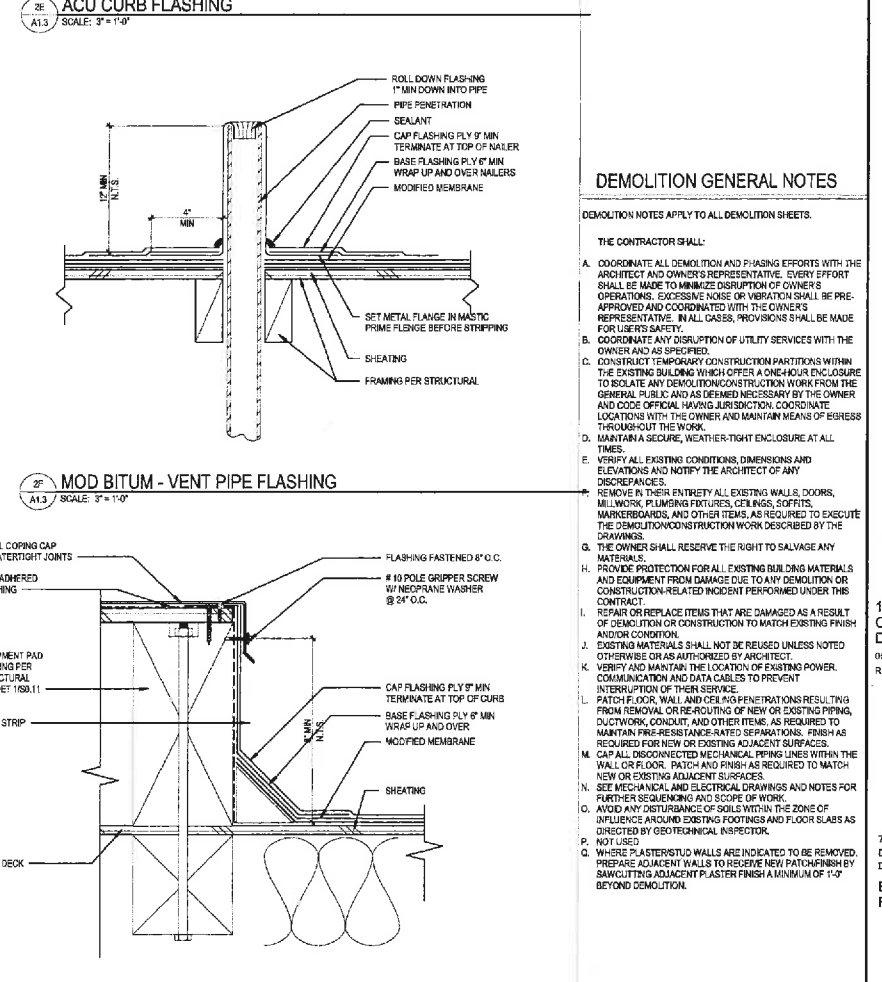
2 BUILDING B ROOF PLAN
SCALE: 1/8" = 1'-0"



3 BUILDING C ROOF PLAN
SCALE: 1/8" = 1'-0"



4 BUILDING F ROOF PLAN
SCALE: 1/8" = 1'-0"



5 BUILDING G ROOF PLAN
SCALE: 1/8" = 1'-0"

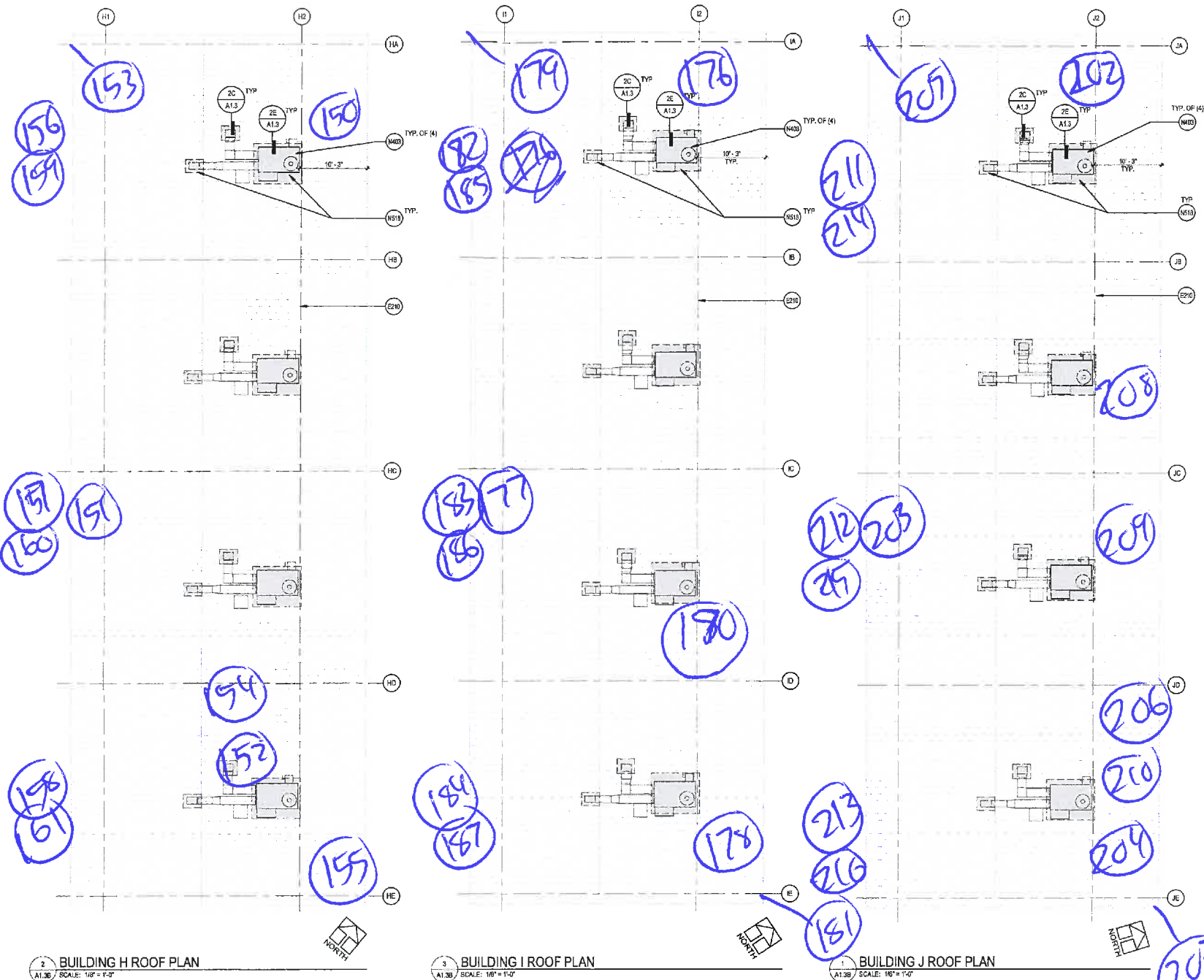


CYPRESS ELEMENTARY SCHOOL
COVID-19 - COVID VALLEY DISTRICT HVAC REPLACEMENT
351 W. CYPRESS ST., COVINA, CA 91723

100% CONSTRUCTION DOCUMENTS
19/06/2022
REVISIONS

75-22605-00
DSA AK05-122230
DSA File # 19-25
BUILDING ABCFG ROOF PLANS

A1.3



2 BUILDING H ROOF PLAN
SCALE: 1/8" = 1'-0"

3 BUILDING I ROOF PLAN
SCALE: 1/8" = 1'-0"

1 BUILDING J ROOF PLAN
SCALE: 1/8" = 1'-0"

Rad + Extender Samples

- KEYNOTES**
- E210 LINE OF (E) BLDG BELOW SHOWN DASHED
 - M403 (N) MECHANICAL UNITS ATTACHED TO THE (N) UNIT CURB. SEE MECHANICAL DRAWING SHEETS M7.2, M7.4 AND M7.5
 - N519 (N) ROOF PATCHING IN AREA OF WORK

- ROOF PLAN GENERAL NOTES**
- A. (E) ROOF CURBS TO REMAIN U.N.D., SEE MECHANICAL DRAWINGS SHEET M1.3C FOR ADDITIONAL INFORMATION.
 - B. COORDINATE THE SIZE AND LOCATION OF WALL PENETRATIONS FOR MECHANICAL AND ELECTRICAL EQUIPMENT. REFER TO MECHANICAL AND ELECTRICAL DRAWINGS FOR PENETRATIONS NOT SHOWN ON THIS DRAWING.
 - C. (E) DRAINS, CURBS, VENTS AND STACKS TO REMAIN.

- DEMOLITION GENERAL NOTES**
- DEMOLITION NOTES APPLY TO ALL DEMOLITION SHEETS.
- THE CONTRACTOR SHALL:
- A. COORDINATE ALL DEMOLITION AND PHASING EFFORTS WITH THE ARCHITECT AND OWNER'S REPRESENTATIVE. EVERY EFFORT SHALL BE MADE TO MINIMIZE DISRUPTION OF OWNER'S OPERATIONS. EXCESSIVE NOISE OR VIBRATION SHALL BE PRE-APPROVED AND COORDINATED WITH THE OWNER'S REPRESENTATIVE. IN ALL CASES, PROVISIONS SHALL BE MADE FOR USER'S SAFETY.
 - B. COORDINATE ANY DISRUPTION OF UTILITY SERVICES WITH THE OWNER AND AS SPECIFIED.
 - C. CONSTRUCT TEMPORARY CONSTRUCTION PARTITIONS WITHIN THE EXISTING BUILDING WHICH OFFER A ONE-HOUR ENCLOSURE TO ISOLATE ANY DISRUPTIVE CONSTRUCTION WORK FROM THE GENERAL PUBLIC AND AS DEEMED NECESSARY BY THE OWNER AND CODE OFFICIAL HAVING JURISDICTION. COORDINATE LOCATIONS WITH THE OWNER AND MAINTAIN MEANS OF EGRESS THROUGHOUT THE WORK.
 - D. MAINTAIN A SECURE, WEATHER-TIGHT ENCLOSURE AT ALL TIMES.
 - E. VERIFY ALL EXISTING CONDITIONS, DIMENSIONS AND ELEVATIONS AND NOTIFY THE ARCHITECT OF ANY DISCREPANCIES.
 - F. REMOVE IN THEIR ENTIRETY ALL EXISTING WALLS, DOORS, MILLWORK, PLUMBING FIXTURES, CEILING, SOFFITS, MARKERBOARDS, AND OTHER ITEMS, AS REQUIRED TO EXECUTE THE DEMOLITION/CONSTRUCTION WORK DESCRIBED IN THE DRAWINGS.
 - G. THE OWNER SHALL RESERVE THE RIGHT TO SALVAGE ANY MATERIALS.
 - H. PROVIDE PROTECTION FOR ALL EXISTING BUILDING MATERIALS AND EQUIPMENT FROM DAMAGE DUE TO ANY DEMOLITION OR CONSTRUCTION-RELATED INCIDENT PERFORMED UNDER THIS CONTRACT.
 - I. REPAIR OR REPLACE ITEMS THAT ARE DAMAGED AS A RESULT OF DEMOLITION OR CONSTRUCTION TO MATCH EXISTING FINISH AND/OR CONDITION.
 - J. EXISTING MATERIALS SHALL NOT BE REUSED UNLESS NOTED OTHERWISE OR AS AUTHORIZED BY ARCHITECT.
 - K. VERIFY AND MAINTAIN THE LOCATION OF EXISTING POWER, COMMUNICATION AND DATA CABLES TO PREVENT INTERRUPTION OF THEIR SERVICE.
 - L. PATCH FLOOR, WALL, AND CEILING PENETRATIONS RESULTING FROM REMOVAL OR RE-ROUTING OF NEW OR EXISTING PIPING, DUCTWORK, CONDUIT, AND OTHER ITEMS, AS REQUIRED TO MAINTAIN FIRE-RESISTANCE-RATED SEPARATIONS. FINISH AS REQUIRED FOR NEW OR EXISTING ADJACENT SURFACES.
 - M. CAP ALL DISCONNECTED MECHANICAL PIPING LINES WITHIN THE WALL OR FLOOR. PATCH AND FINISH AS REQUIRED TO MATCH NEW OR EXISTING ADJACENT SURFACES.
 - N. SEE MECHANICAL AND ELECTRICAL DRAWINGS AND NOTES FOR FURTHER SEQUENCING AND SCOPE OF WORK.
 - O. AVOID ANY DISTURBANCE OF SOILS WITHIN THE ZONE OF INFLUENCE AROUND EXISTING FOOTINGS AND FLOOR SLABS AS DIRECTED BY GEOTECHNICAL INSPECTOR.
 - P. NOT USED.
 - Q. WHERE PLASTER/STUCCO WALLS ARE INDICATED TO BE REMOVED, PREPARE ADJACENT WALLS TO RECEIVE NEW PATCH FINISH BY SAWCUTTING ADJACENT PLASTER FINISH A MINIMUM OF 1'-0" BEYOND DEMOLITION.



CYPRESS ELEMENTARY SCHOOL
COVID 19 - COVINA VALLEY DISTRICT HVAC REPLACEMENT
351 W. CYPRESS ST. COVINA, CA 91723

100% CONSTRUCTION DOCUMENTS
05/09/2022
REVISIONS

75-22805-00
DSA AHS-122230
DSA File #: 19-25
BUILDING HI
ROOF PLANS

A1.3B

APPENDIX C – STAFF CERTIFICATION

State of California
Division of Occupational Safety and Health
Certified Site Surveillance Technician

Matthew C Barna

Name

Certification No. 19-6738

Expires on 01/15/24



This certification was issued by the Division of Occupational Safety and Health as authorized by Sections 7180 et seq. of the Business and Professions Code.