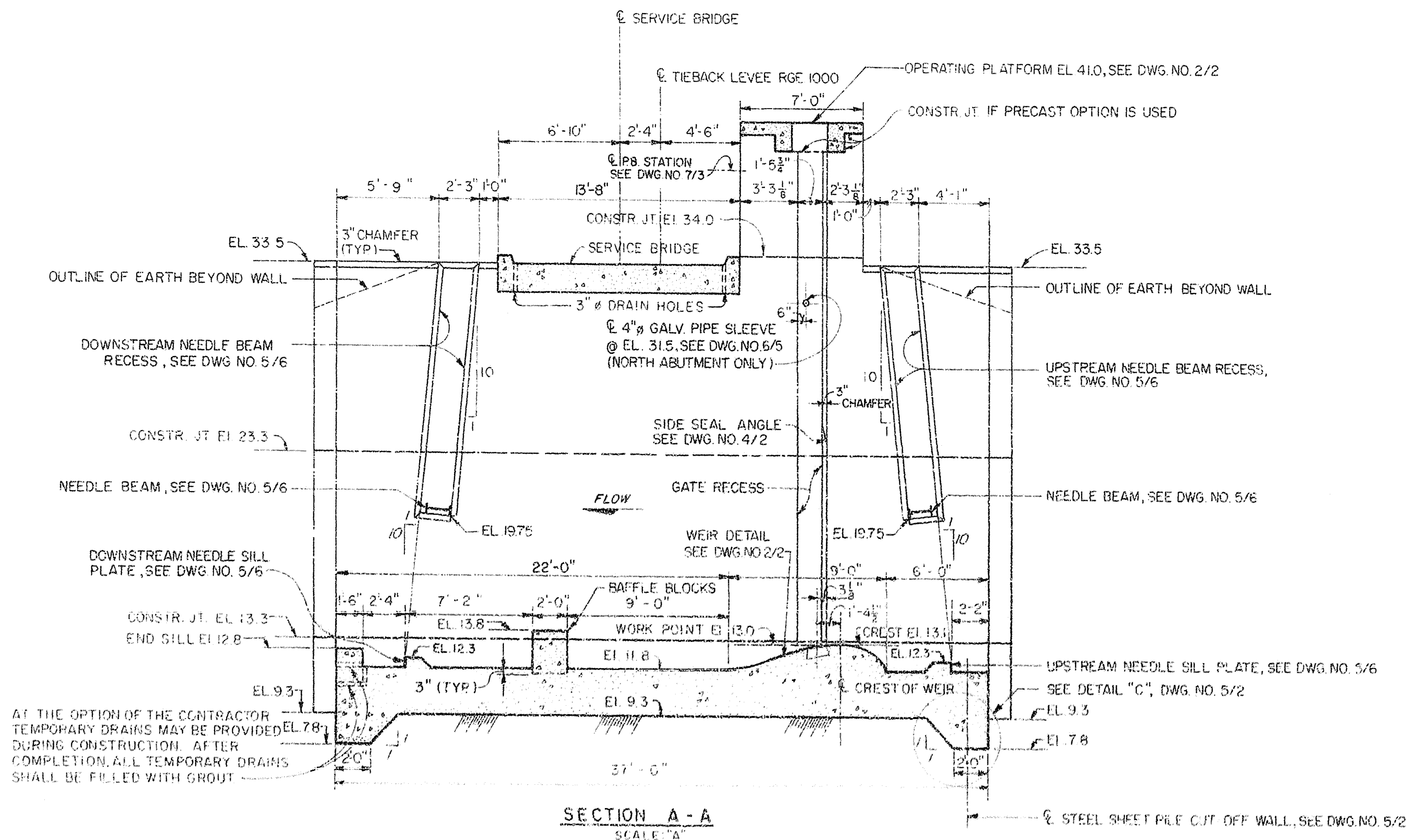
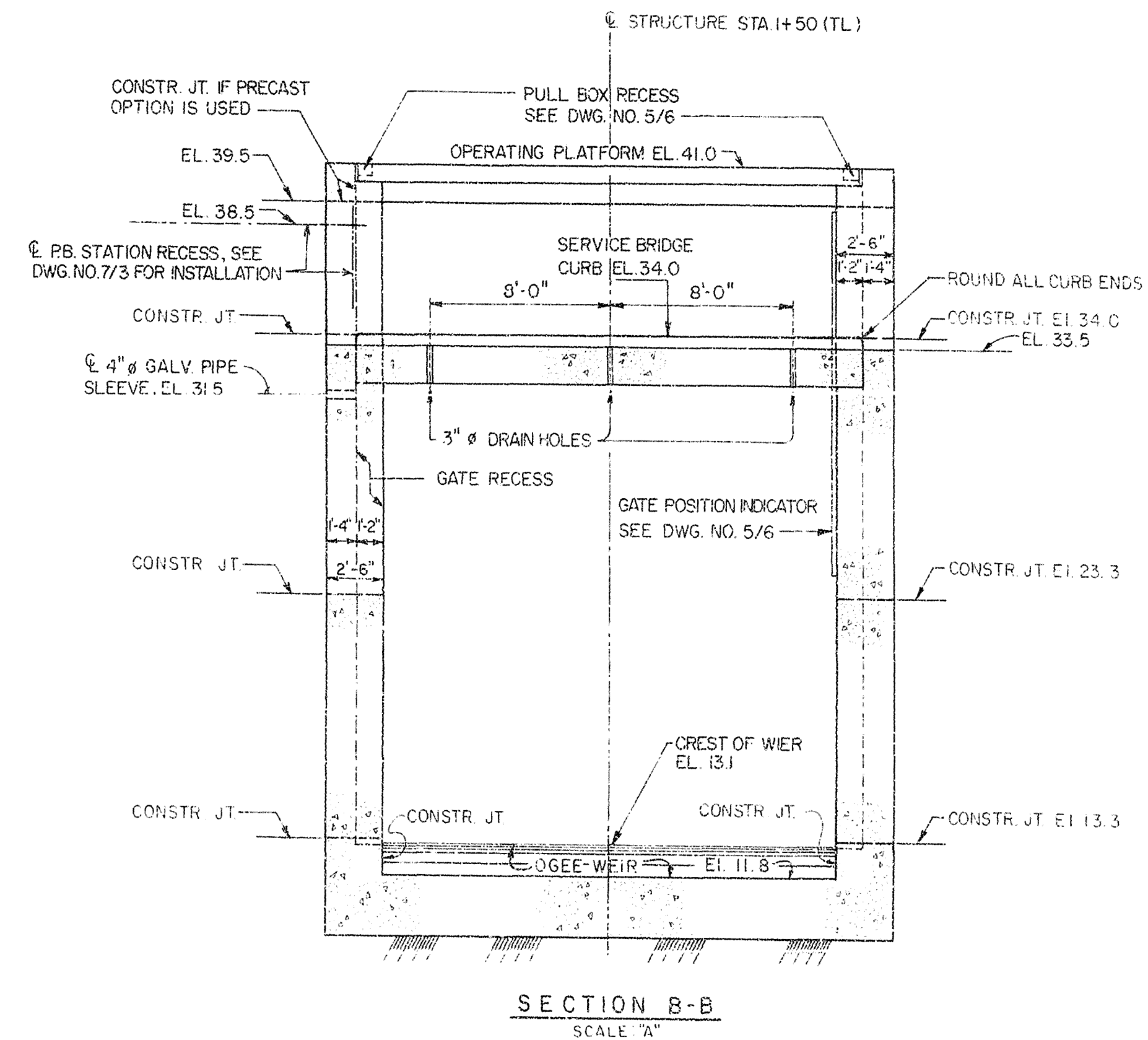
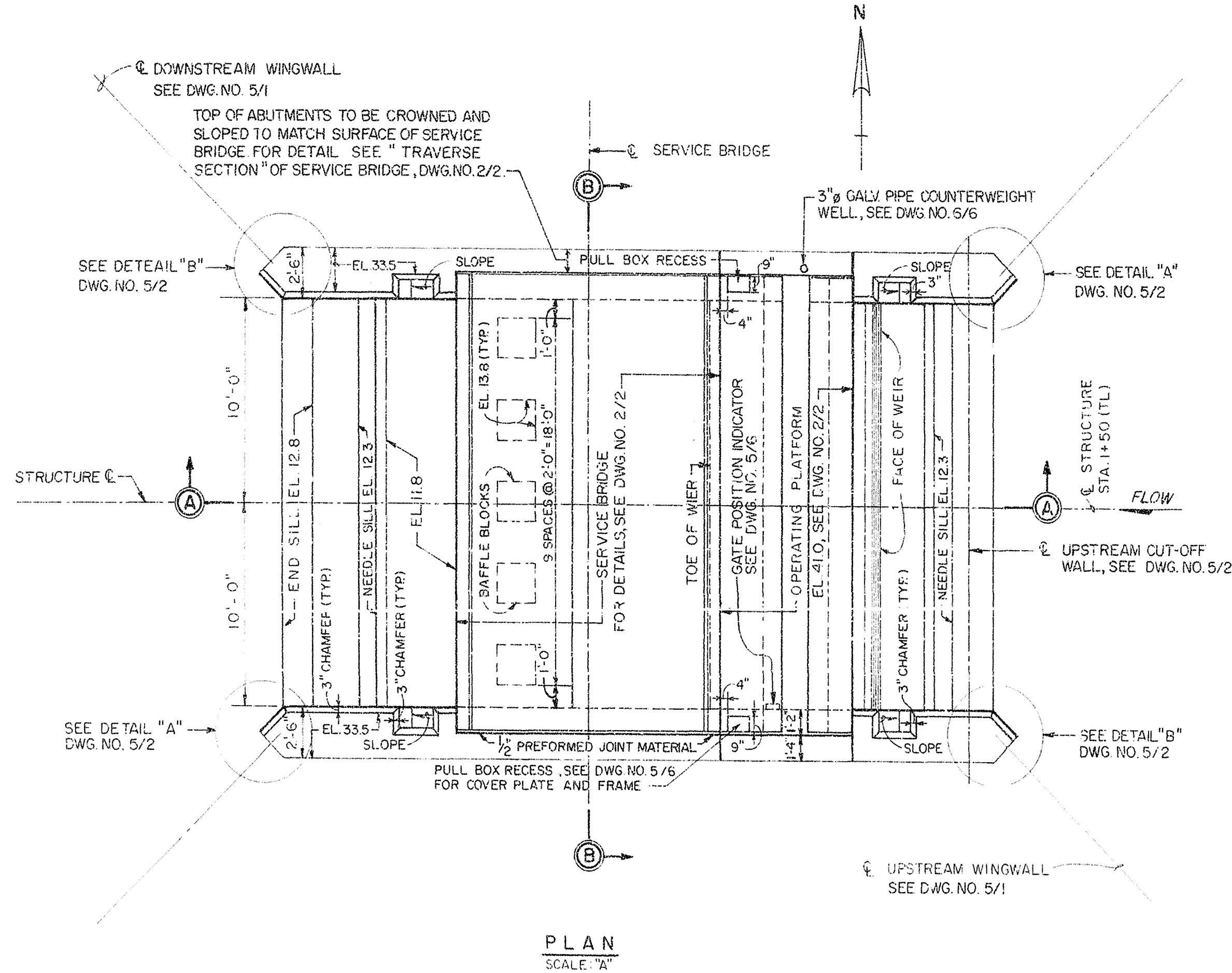


SAFETY ON THIS JOB
DEPENDS ON YOU

NO		SYMBOL	ZONE	DESCRIPTION	DATE	APPROVED



NOTES:

- FOR "GENERAL REINFORCEMENT NOTES", SEE DWG. NO. 5/1.
- FOR DETAILS OF SERVICE BRIDGE, OPERATING PLATFORM AND WEIR, SEE DWG. NO. 2/2.
- FOR EMBEDDED METALS REQUIRED FOR GATE RECESS AND GATE BOTTOM SEAL CONSTRUCTION, SEE DWG. NOS. 4/1 AND 4/2.

GENERAL CONCRETE AND DESIGN NOTES:

- PROVIDE 3/4" CHAMFER ON ALL EXPOSED CONCRETE CORNERS AND EDGES UNLESS OTHERWISE NOTED.
- CONSTRUCTION JOINTS SHALL BE AS SHOWN OR AS APPROVED BY THE CONTRACTING OFFICER PROVIDED THE FOLLOWING CRITERIA ARE MET:
HORIZONTAL CONSTRUCTION JOINTS IN WALLS SHALL BE LIMITED TO A MAXIMUM LENGTH OF 10'-0" AND VERTICAL JOINT LOCATIONS LIMITED TO A MAXIMUM LENGTH WHICH WILL ASSURE THAT THE CONCRETE CAN BE PROPERLY PLACED AND VIBRATED TO PREVENT FORMATION OF VOIDS OR HONEYCOMBS WITHIN THE CONCRETE. V JOINTS SHALL BE PROVIDED AT ALL HORIZONTAL CONSTRUCTION JOINTS NOT COVERED BY BACKFILL FOR THE ABUTMENT WALLS. SEE "TYPICAL V-JOINT DETAIL", DWG. NO. 2/2.
- FOR "GENERAL REINFORCEMENT NOTES", SEE DWG. NO. 5/1.
- UNLESS OTHERWISE NOTED, FINISH FOR FORMED CONCRETE SURFACES SHALL BE AS FOLLOWS:
(1) CLASS-B ALL FORMED SURFACES, EXCEPT AS NOTED IN (2).
(2) CLASS-D SURFACES AGAINST WHICH CONCRETE OR FILL IS TO BE PLACED.
- ALL EXPOSED UNFORMED SURFACES SHALL HAVE A FLOAT FINISH, UNLESS OTHERWISE NOTED.
- WORKING STRESSES FOR STRUCTURAL AND MISCELLANEOUS STEEL SHALL CONFORM TO THE REQUIREMENTS OF THE A.I.S.C. ALLOWABLE STRESS UNLESS OTHERWISE SHOWN OR SPECIFIED.

RECORD DRAWING NOTE
"Shall be," "Provide," "Install,"
"Remove," etc., indicates
work was accomplished under
the contract.

AS-BUILT

GRAPHIC SCALE



DEPARTMENT OF THE ARMY
JACKSONVILLE DISTRICT CORPS OF ENGINEERS
JACKSONVILLE, FLORIDA
CENTRAL AND SOUTHERN FLORIDA PROJECT
UPPER ST. JOHNS RIVER BASIN
STRUCTURE 96B AND TIEBACK LEVEE
CONCRETE
PLAN AND SECTIONS

DESIGNED BY C.B.M. GMSH	CHECKED BY J.M. C.B.M.	DATE F 2/1
SCALE AS SHOWN		DATE MAR 1993

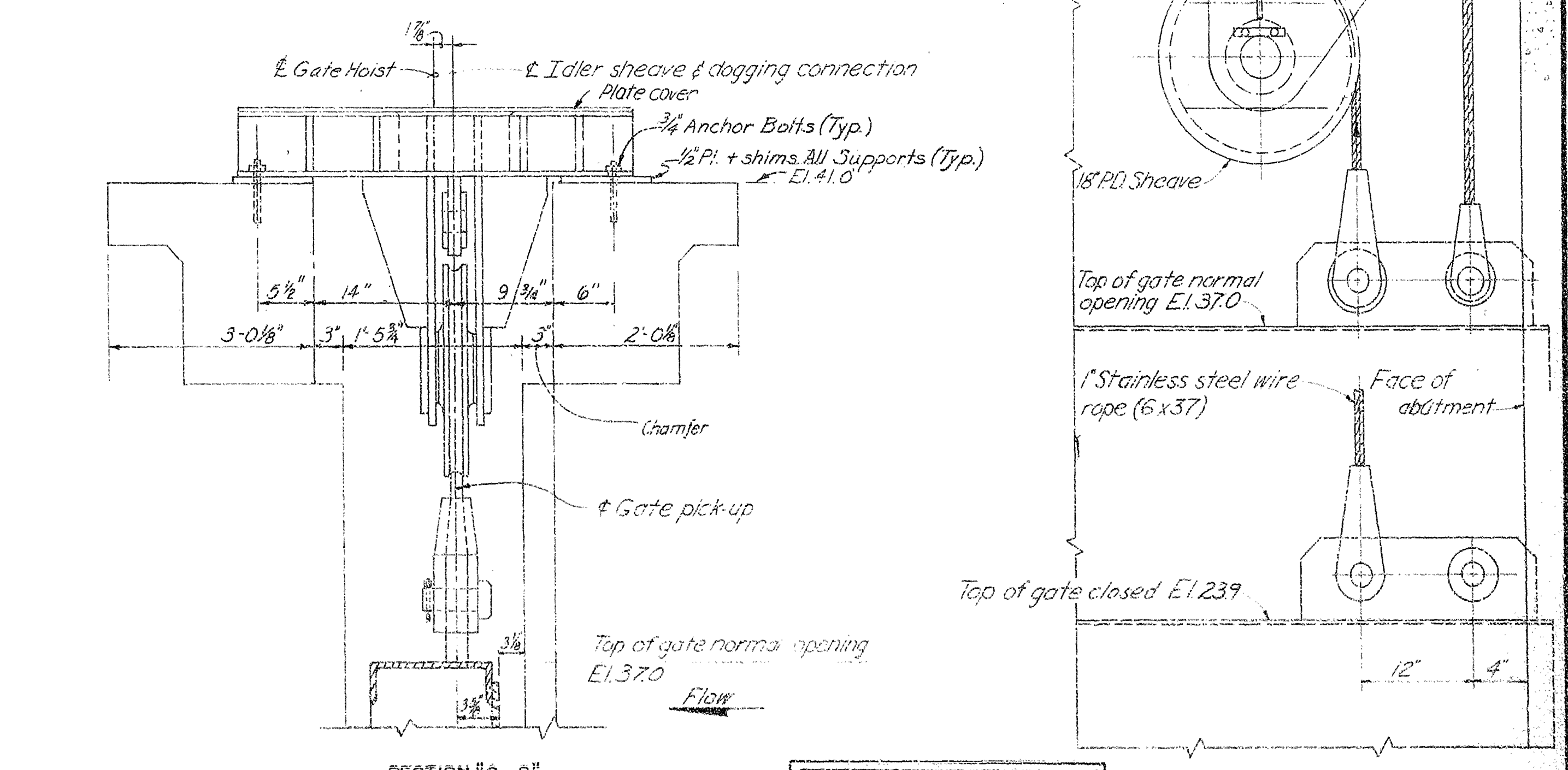
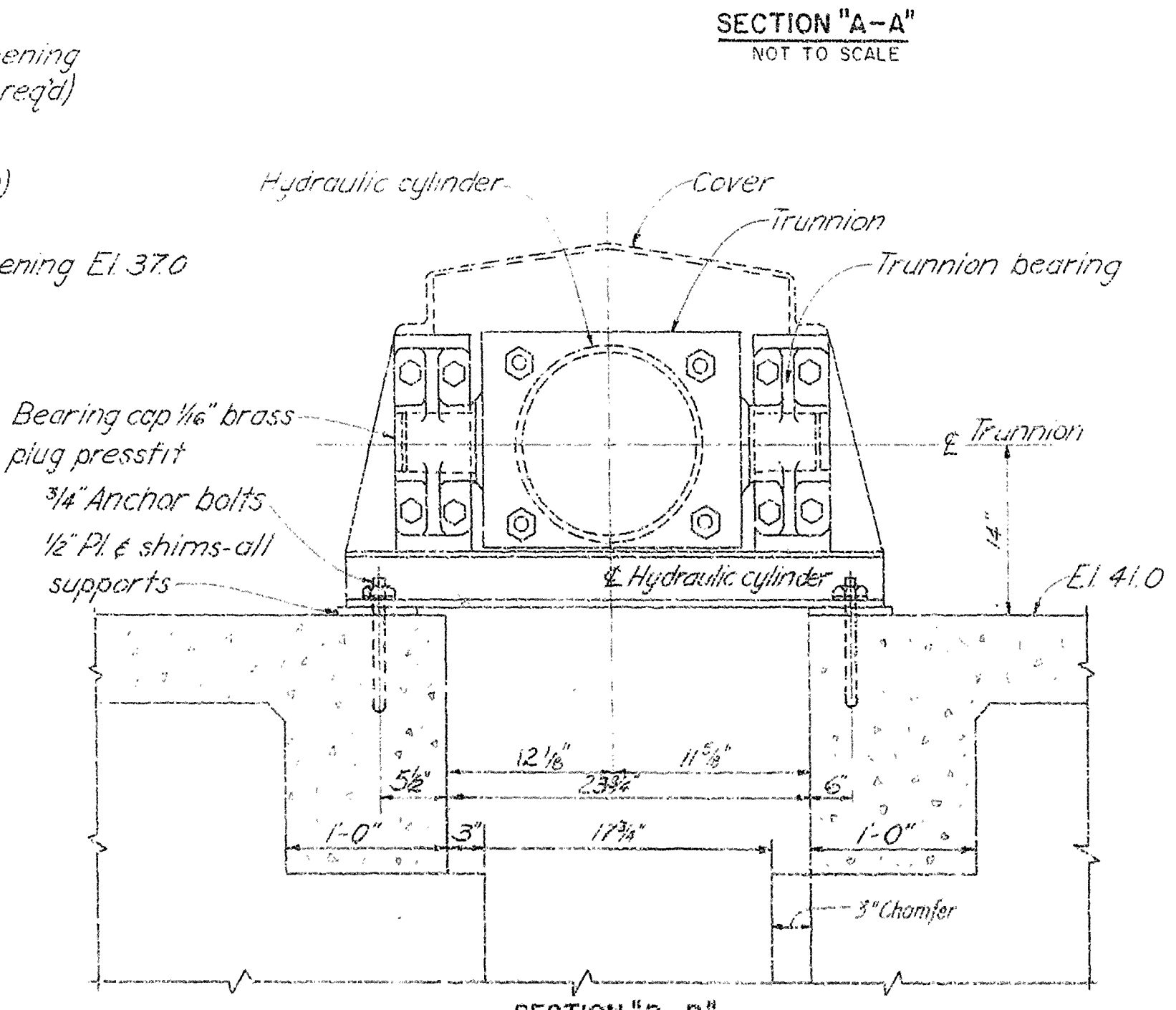
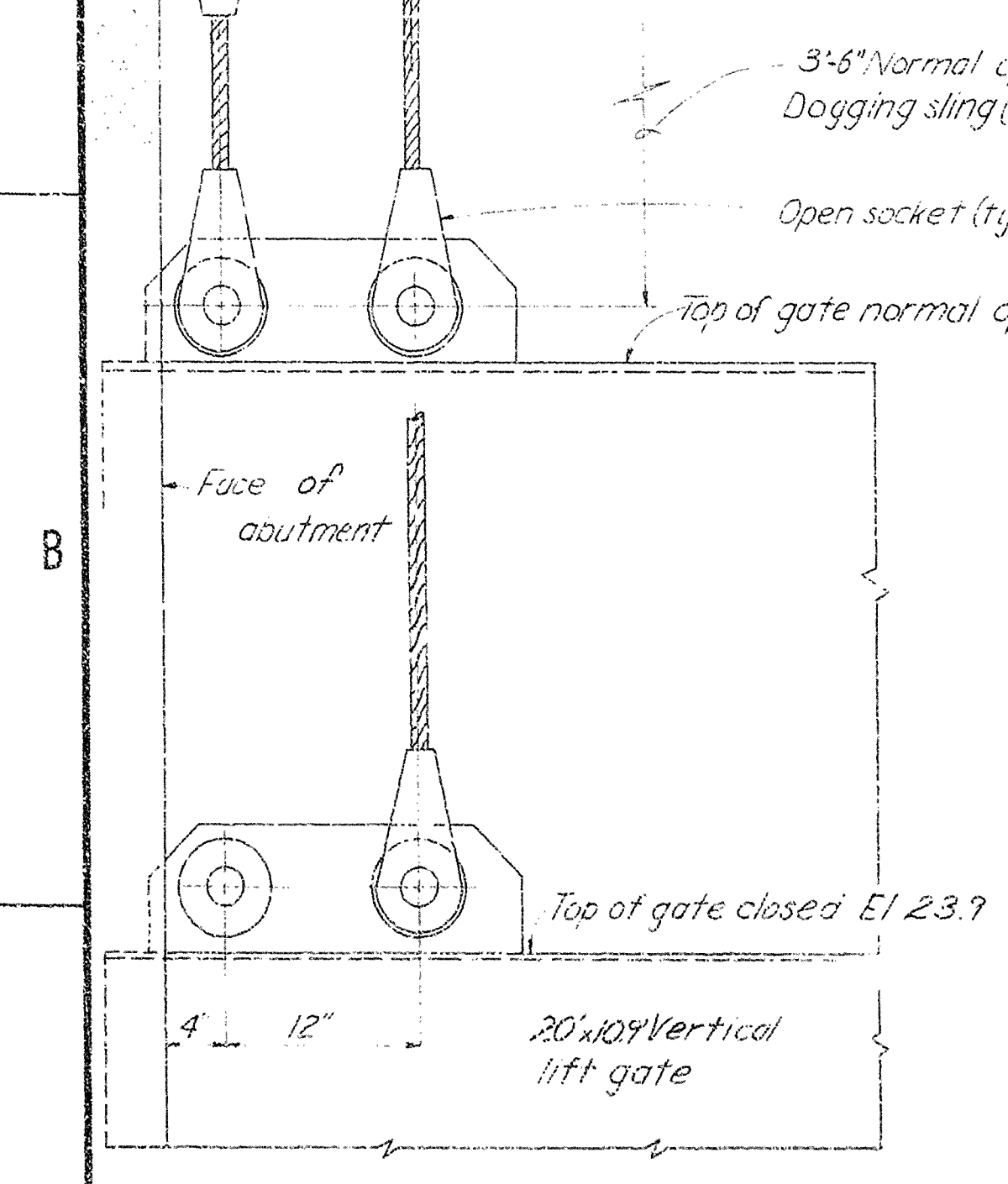
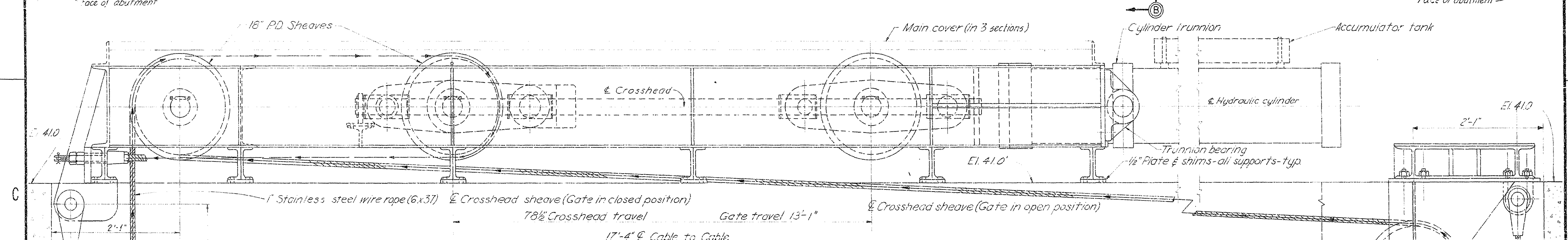
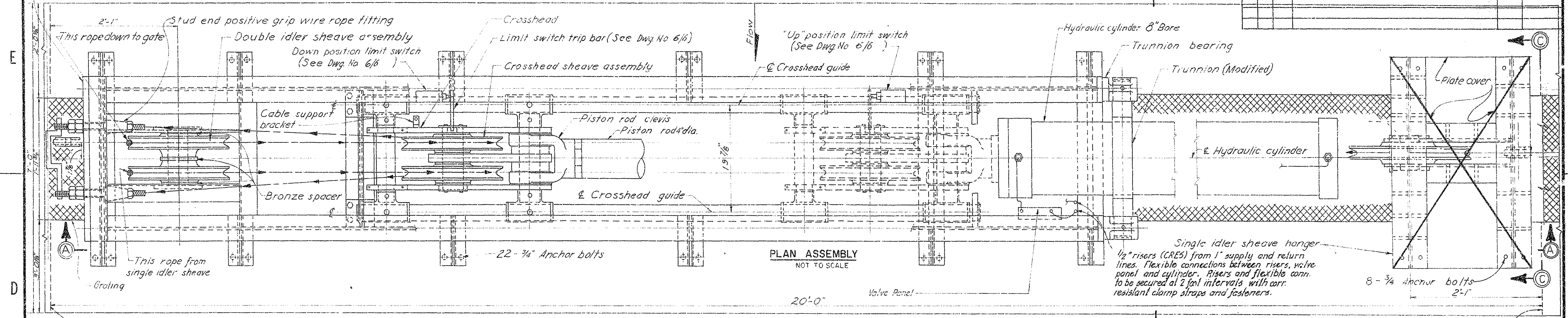
D. O. FILE NO. 490-34,813

490-36,389

Note: Gate position transmitter not shown. Locate on hoist base as shown on Dwg. No. 6/6

SAFETY ON THIS JOB DEPENDS ON YOU

REVISIONS				DATE	APPROVED
NO.	SYM.	ZONE	DESCRIPTION		



- NOTES
- (a) ESTIMATED GATE WEIGHT 12,000
 - (b) ESTIMATED HOIST LOAD 20,500
 - (c) ESTIMATED PISTON LOAD 52,000
 - 6\"/>
 - OPERATING PRESSURE 1400 P.S.I.
 - GATE SHALL OPERATE AT 6 INCHES / MINUTE (±10%) WHEN RAISING AND LOWERING
 - DOGGING SLINGS SAME SIZE AND TYPE AS HOIST ROPES.

AS-BUILT

RECORD DRAWING NOTE
 "Shall be," "Provide," "Install," "Remove," etc., indicates work was accomplished under the contract.

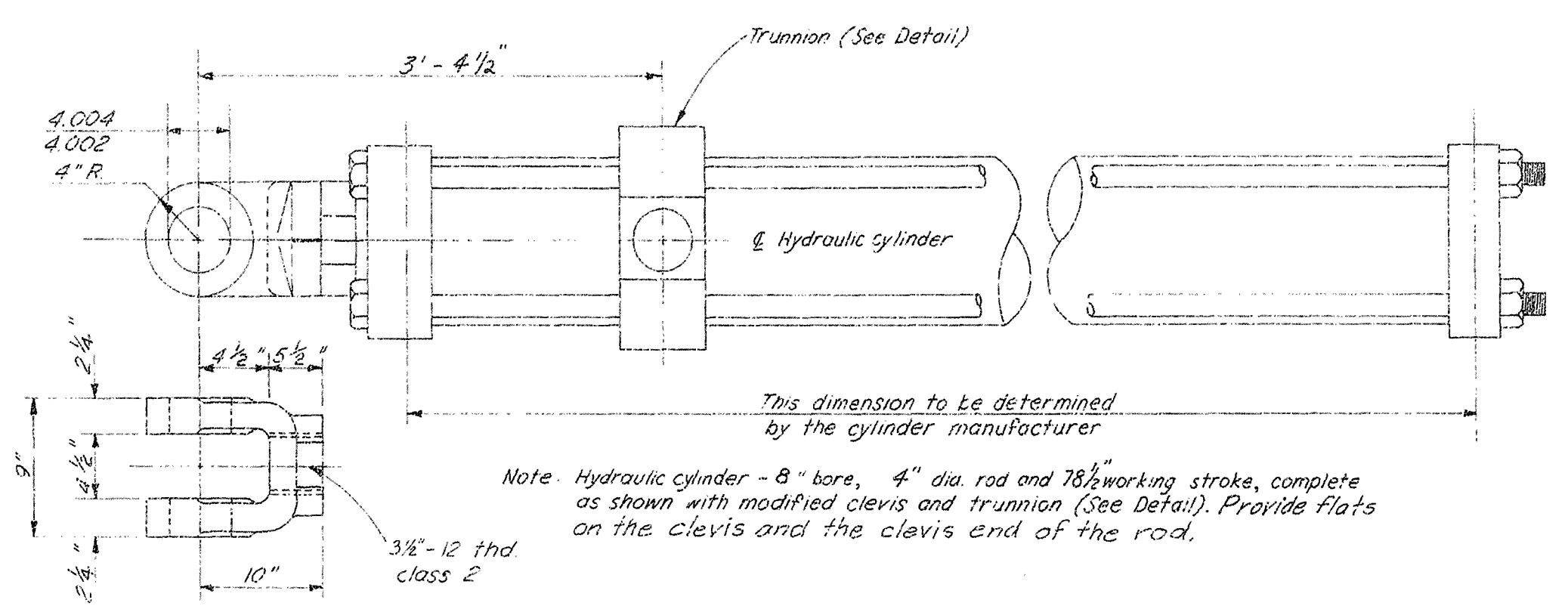
DEPARTMENT OF THE ARMY
 JACKSONVILLE DISTRICT CORPS OF ENGINEERS
 JACKSONVILLE, FLORIDA
 CENTRAL AND SOUTHERN FLORIDA PROJECT
 FOR FLOOD CONTROL AND OTHER PURPOSES

STRUCTURE 96B
 MECHANICAL
 GATE HOIST - GENERAL ARRANGEMENT

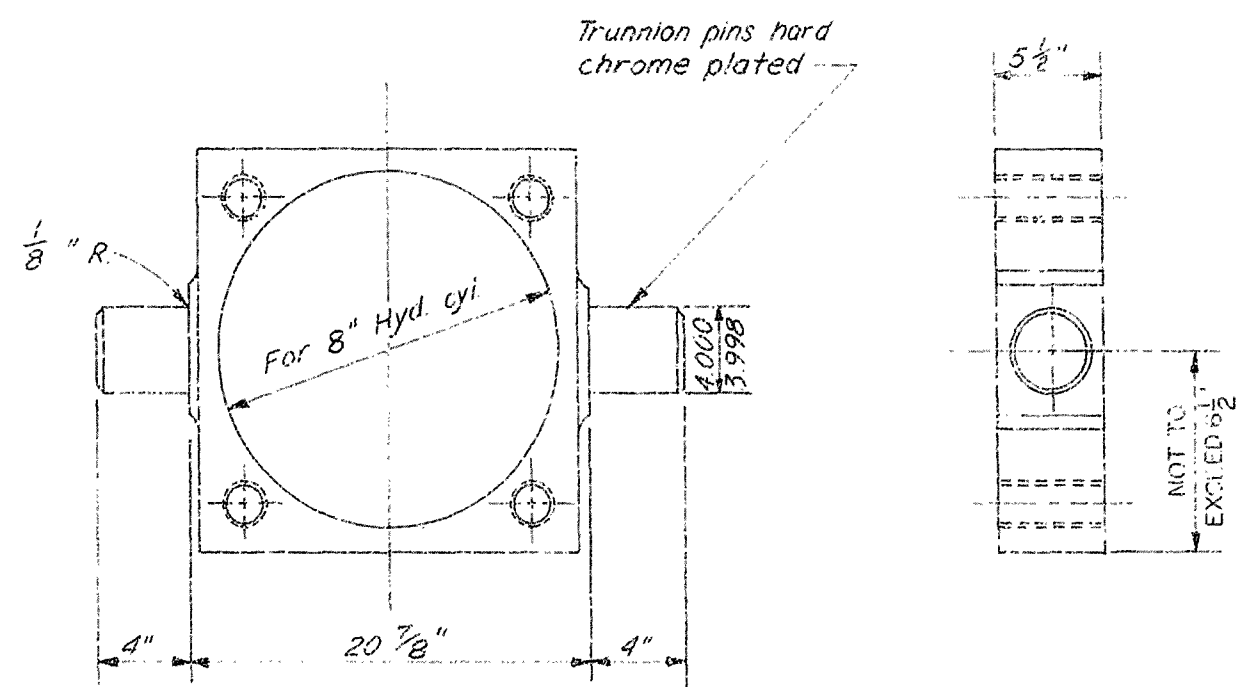
DATE: 6/1
 SHEET: 25

SAFETY ON THIS JOB
DEPENDS ON YOU

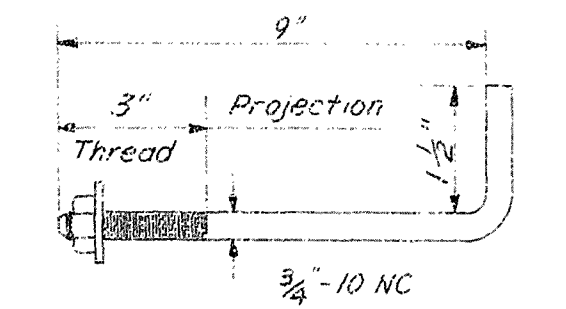
REVISIONS			
NO.	SYM.	ZONE	DESCRIPTION



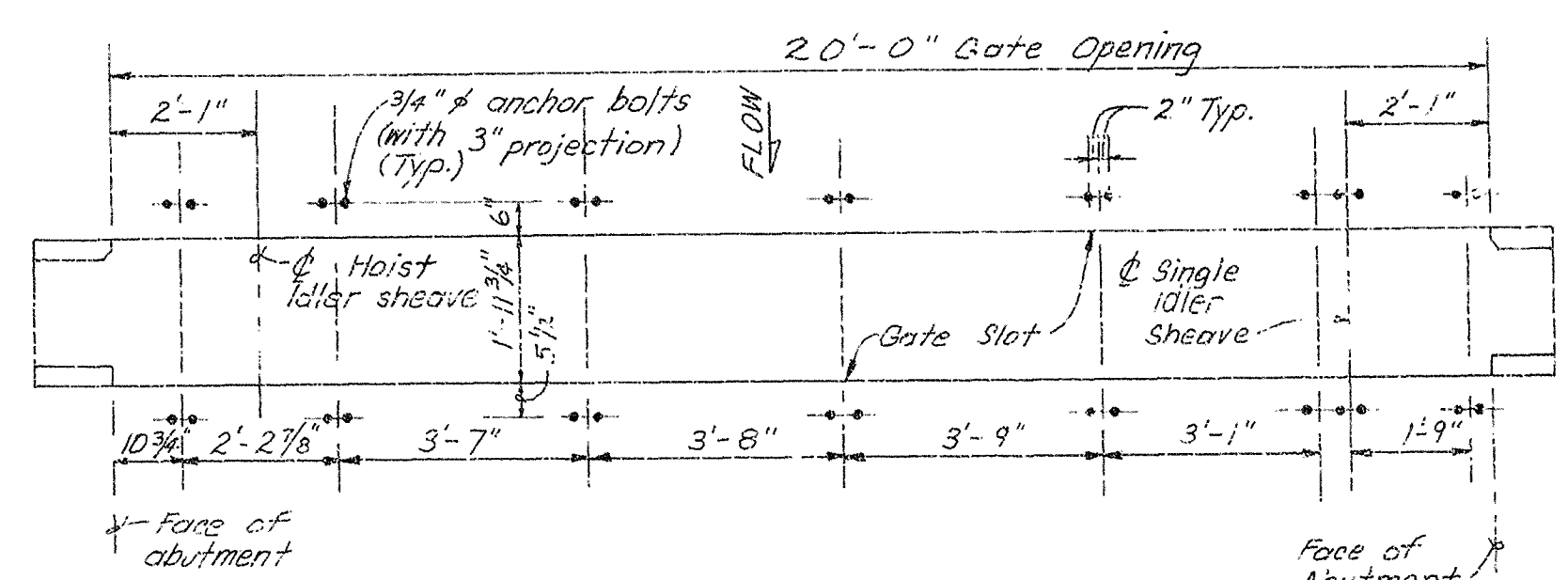
HYDRAULIC CYLINDER
 MARK 1 REQUIRED MFRS. STANDARDS
 NOT TO SCALE



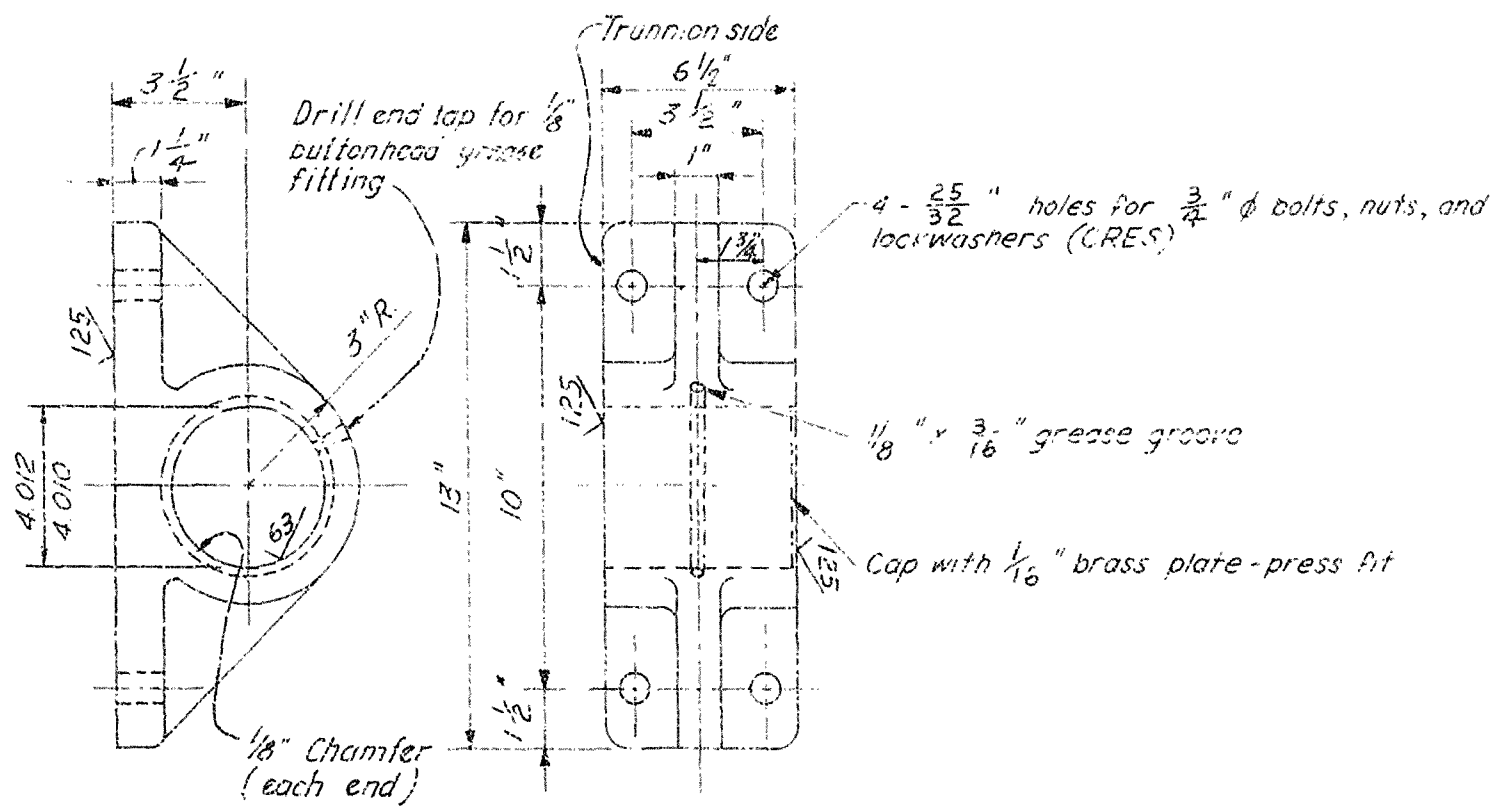
HYDRAULIC CYLINDER TRUNNION
 MARK 1 REQUIRED STEEL
 NOT TO SCALE



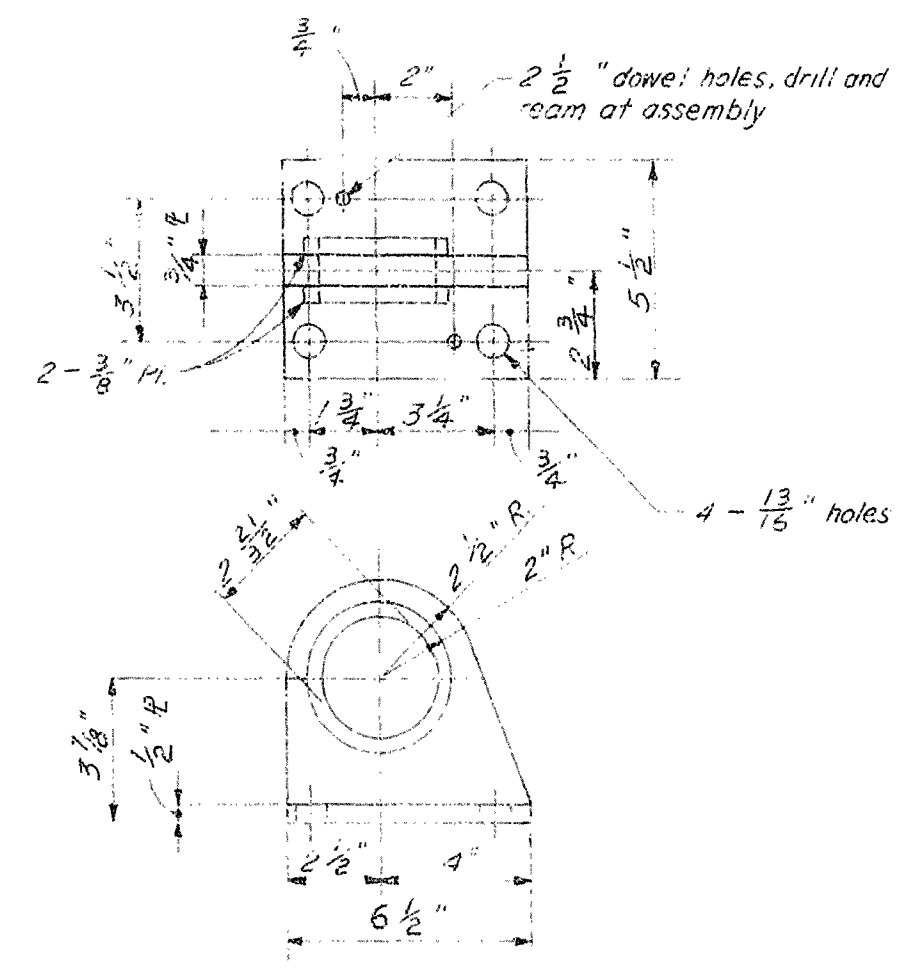
ANCHOR BOLT
 MARK 30 REQUIRED BOLT STEEL (CRES)
 NOT TO SCALE



ANCHOR BOLT SETTING
 NOT TO SCALE

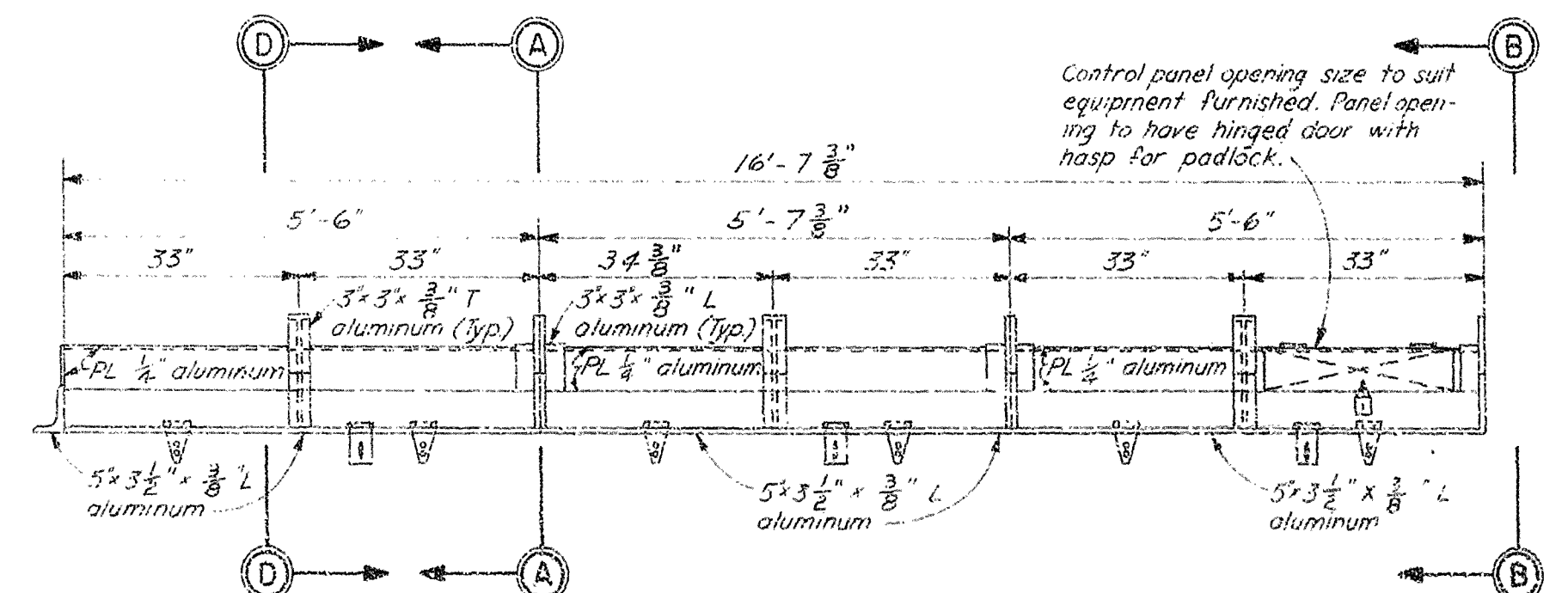


TRUNNION BEARING
 MARK 2 REQUIRED DUCTILE IRON OR CAST STEEL
 NOT TO SCALE



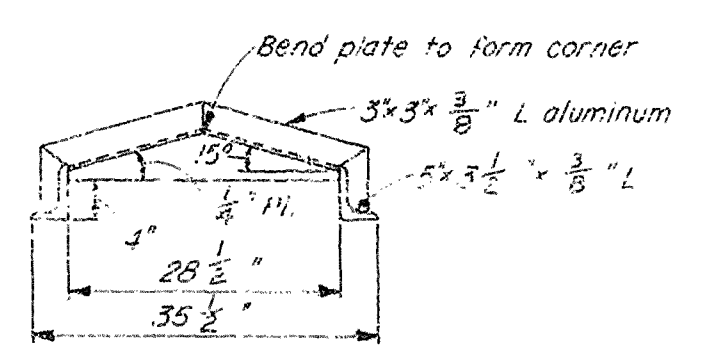
CROSSHEAD GUIDE BRACKET
 MARK 2 REQUIRED STR. STEEL
 NOT TO SCALE

NOTE:
 Notes 1 thru 4 on Drawing No. 6/2, also apply to this sheet.

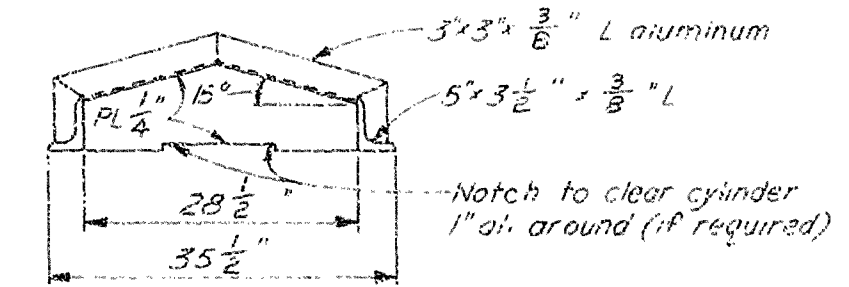


COVER
 MARK 1 REQUIRED (3 SECTIONS) ALUMINUM
 NOT TO SCALE

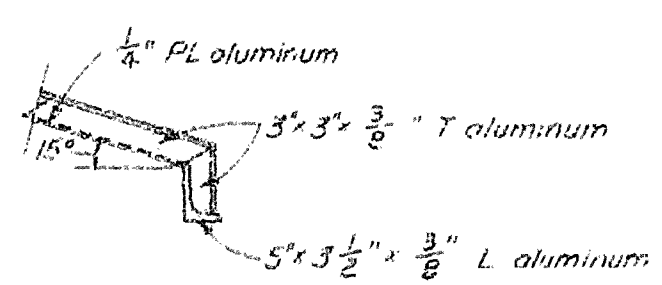
Note: Cover, three (3) sections to be all welded construction unless otherwise noted. Each section to have 2 extra heavy stainless steel hinges and 1 extra heavy stainless steel hasp secured to cover with stainless steel countersunk rivets. Cover to be installed on base (see base detail) with stainless steel countersunk rivets or stainless steel bolts and nuts, upset threads after installation. Hinges shall be similar or equal to Hagar #DB-1199, 6"x5".



SECTION A-A



SECTION B-B



SECTION D-D

AS-BUILT

DEPARTMENT OF THE ARMY
 JACKSONVILLE DISTRICT CORPS OF ENGINEERS
 JACKSONVILLE, FLORIDA
 CENTRAL AND SOUTHERN FLORIDA PROJECT
 UPPER ST. JOHNS RIVER BASIN
 STRUCTURE 96B AND TIEBACK LEVEE
 MECHANICAL
 GATE HOIST - DETAILS NO. 2

SCALE: NONE DATE: 6-27-79 SHEET: 27

RECORD DRAWING NOTE
 "Shall be," "Provide," "Install," "Remove," etc., indicates work was accomplished under the contract.

