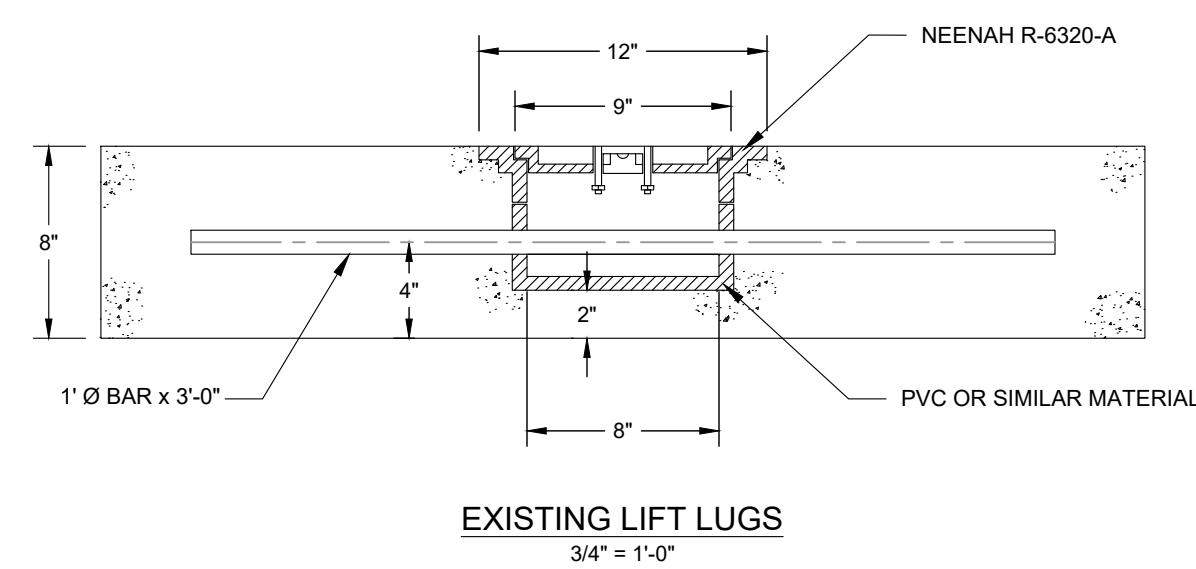
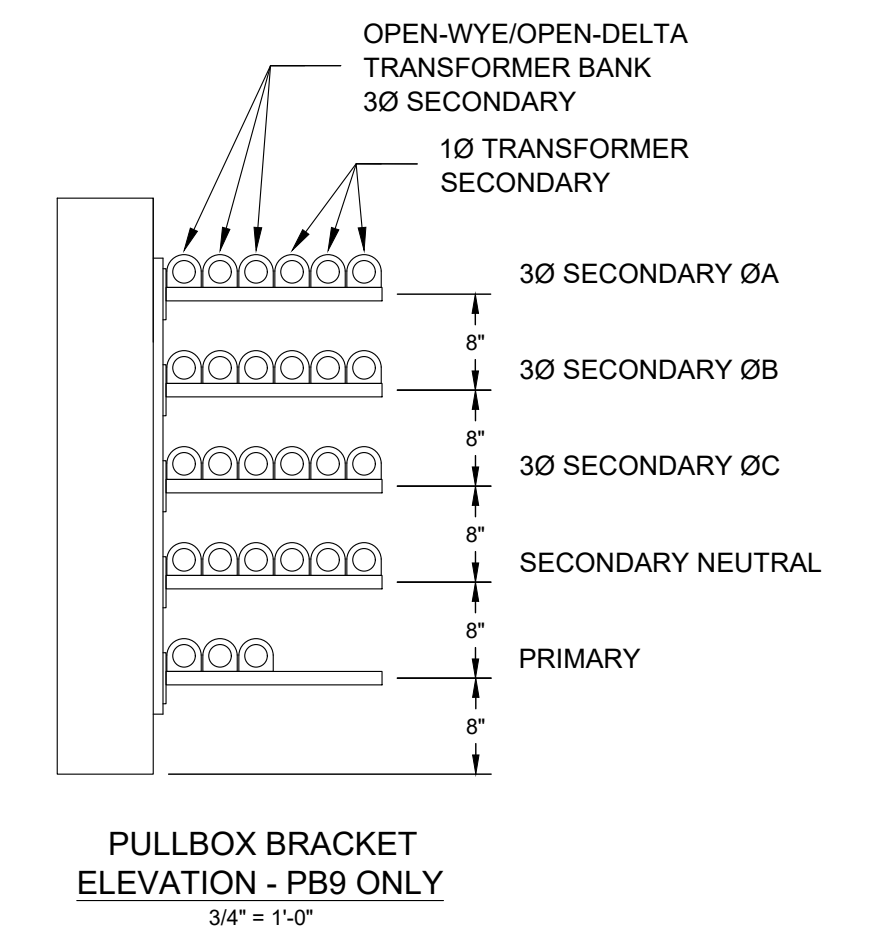
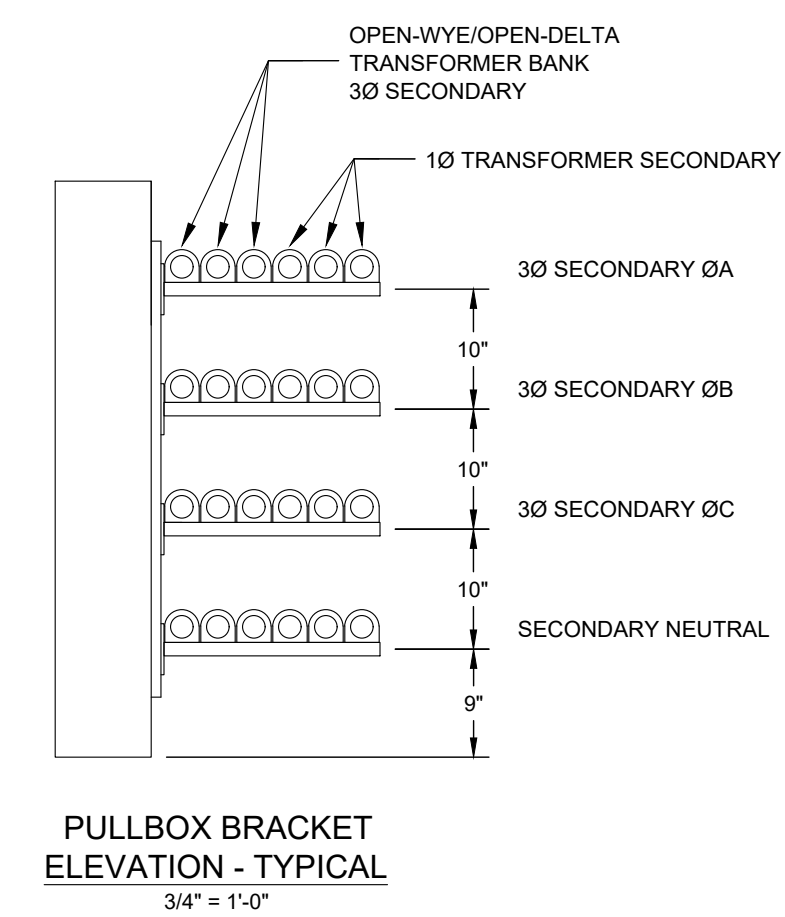
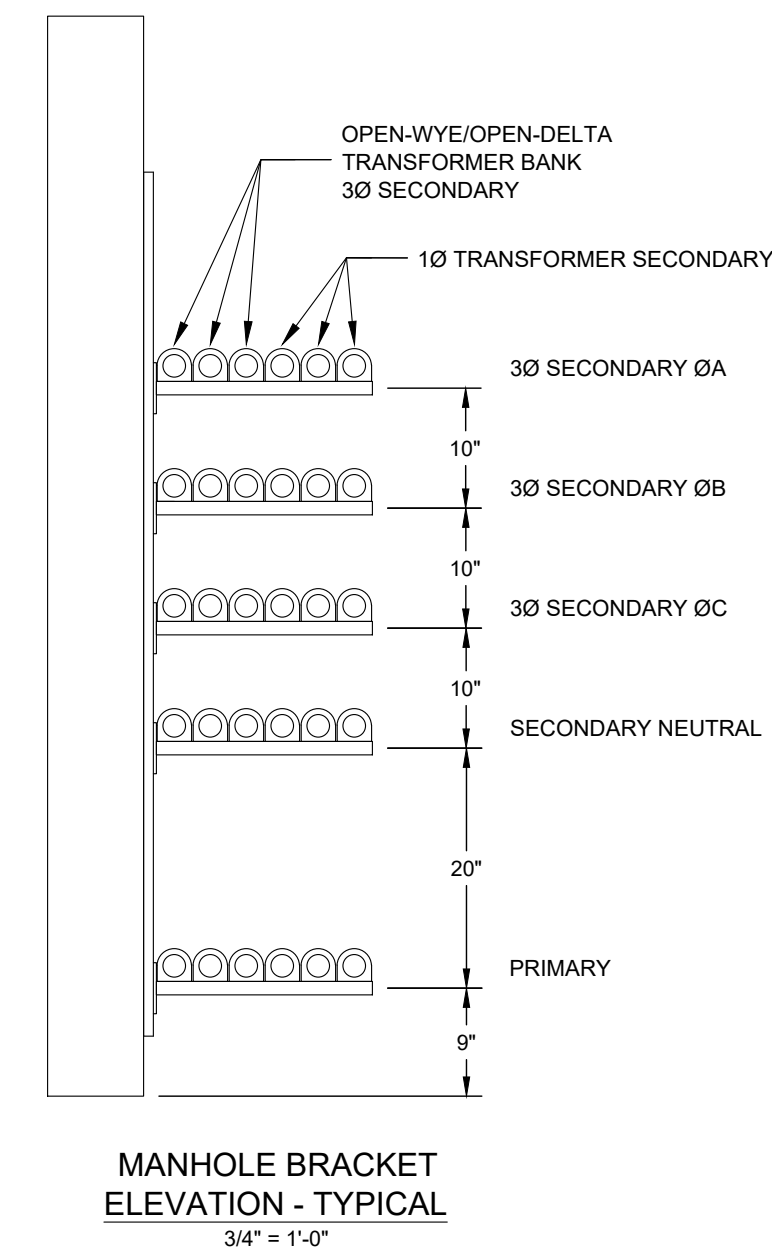
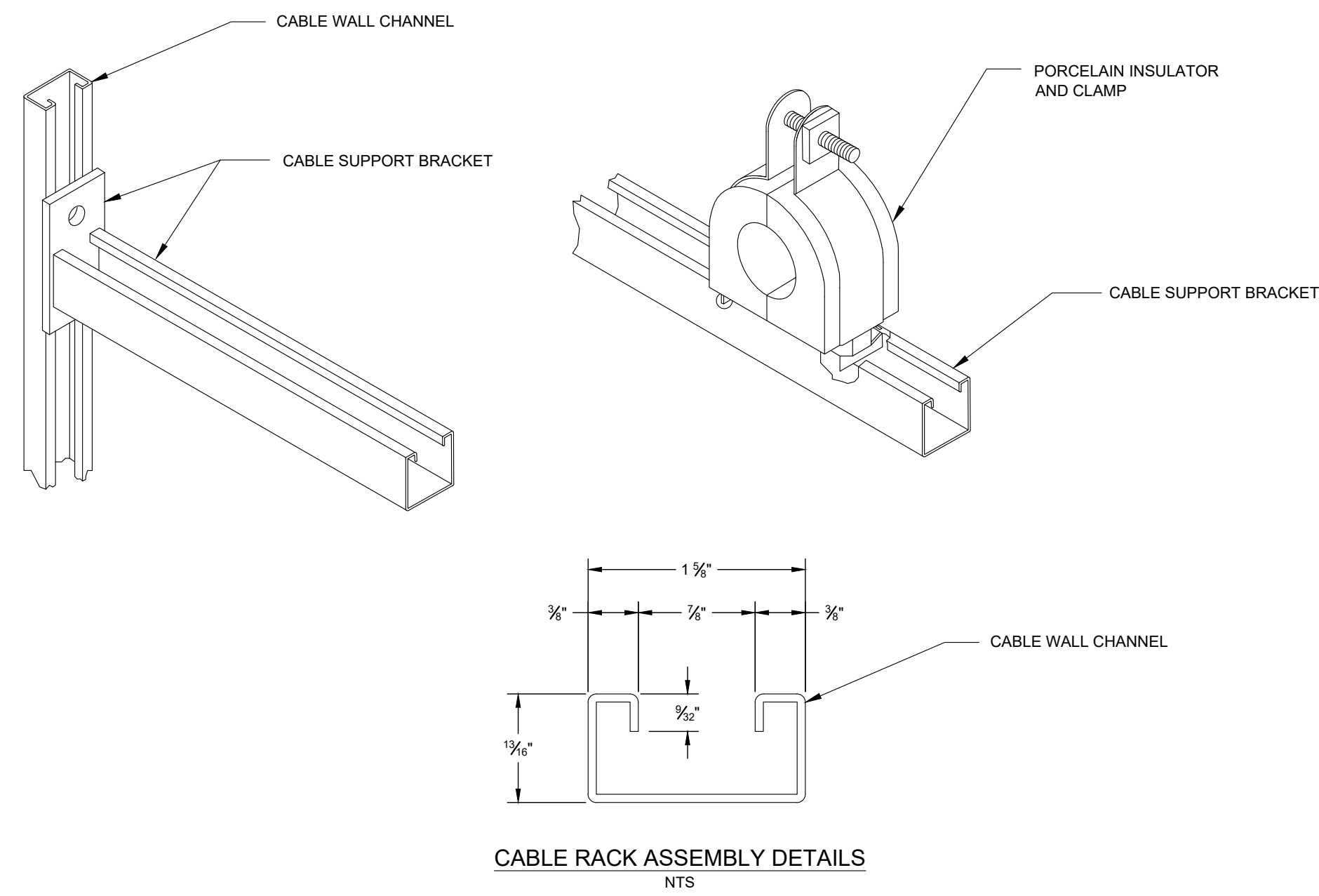


NOTES: CABLE RACKING

1. CABLE SUPPORT BRACKETS TO BE INSTALLED ONLY WHERE SHOWN ON THE MANHOLE AND PULLBOX DRAWINGS.
2. SIX CABLE INSULATORS SHOWN PER BRACKET. INSTALL ONLY ENOUGH INSULATORS FOR THE CABLES AS SHOWN ON THE MANHOLE AND PULLBOX DRAWINGS.
3. TO ASSIST IN FUTURE CIRCUIT IDENTIFICATION THREE-PHASE SECONDARY CABLES SHOULD BE STANDARD BLACK COLORING, WHILE SINGLE-PHASE SECONDARY CABLES SHOULD BE COLORED CODED RED. SPECIFIC CABLE PLACEMENT TO BE DETERMINED BY INDIVIDUAL MANHOLE AND PULL BOX DRAWINGS.



<p>PRELIMINARY NOT TO BE USED FOR CONSTRUCTION REVISION 11/30/22</p>			<p>CITY OF GEORGETOWN GEORGETOWN, SC</p> <p>FRONT STREET ELECTRICAL UPGRADE MISCELLANEOUS DETAILS</p>		
			<p>UTILITY TECHNOLOGY ENGINEERS - CONSULTANTS, PLLC P.O. Box 2629 • Asheboro, North Carolina • 27204</p>		
0	BID ISSUE	12/01/22	DWN. LMB	DATE: 10/31/22	DWG. NO.
NO.	REVISIONS	DATE	SCALE: NOTED	JOB NO. 220901	SHEET NO. 1 OF 1