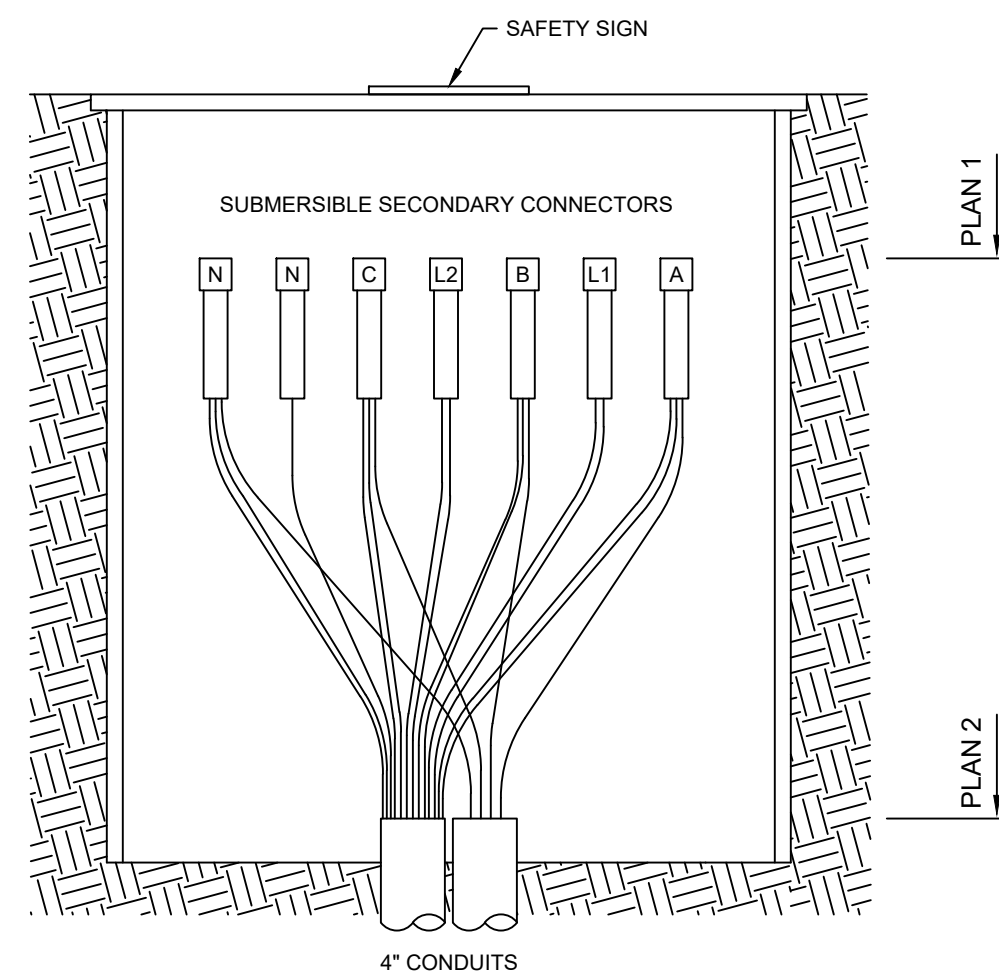
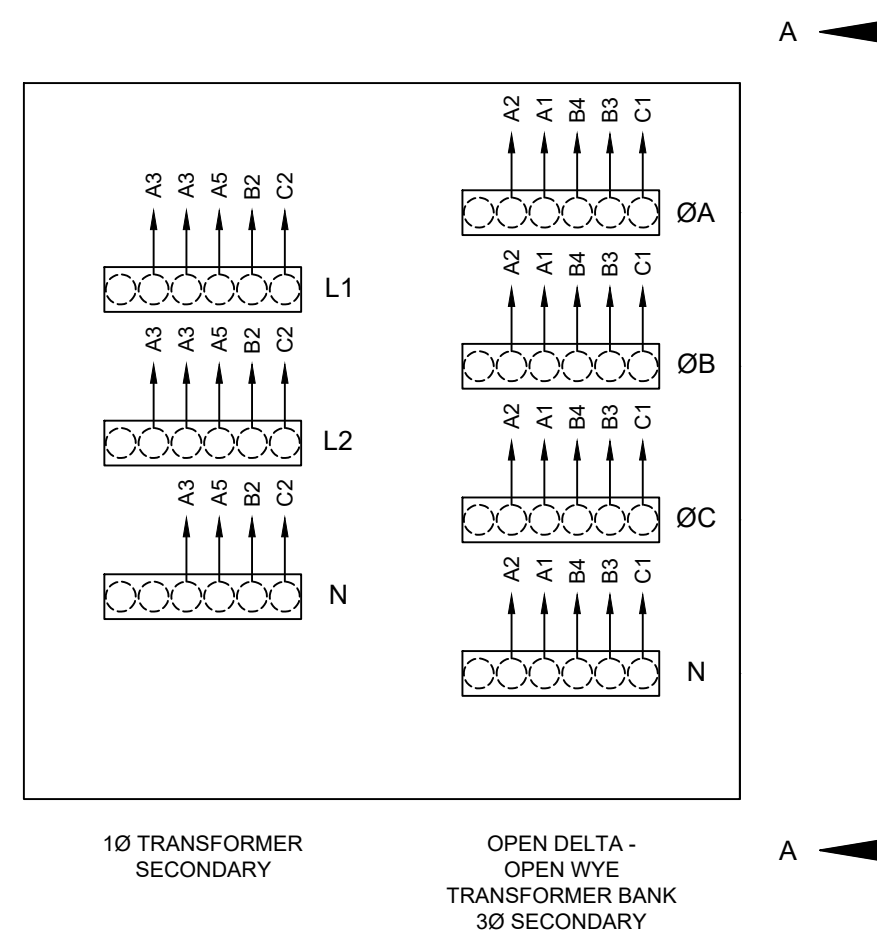
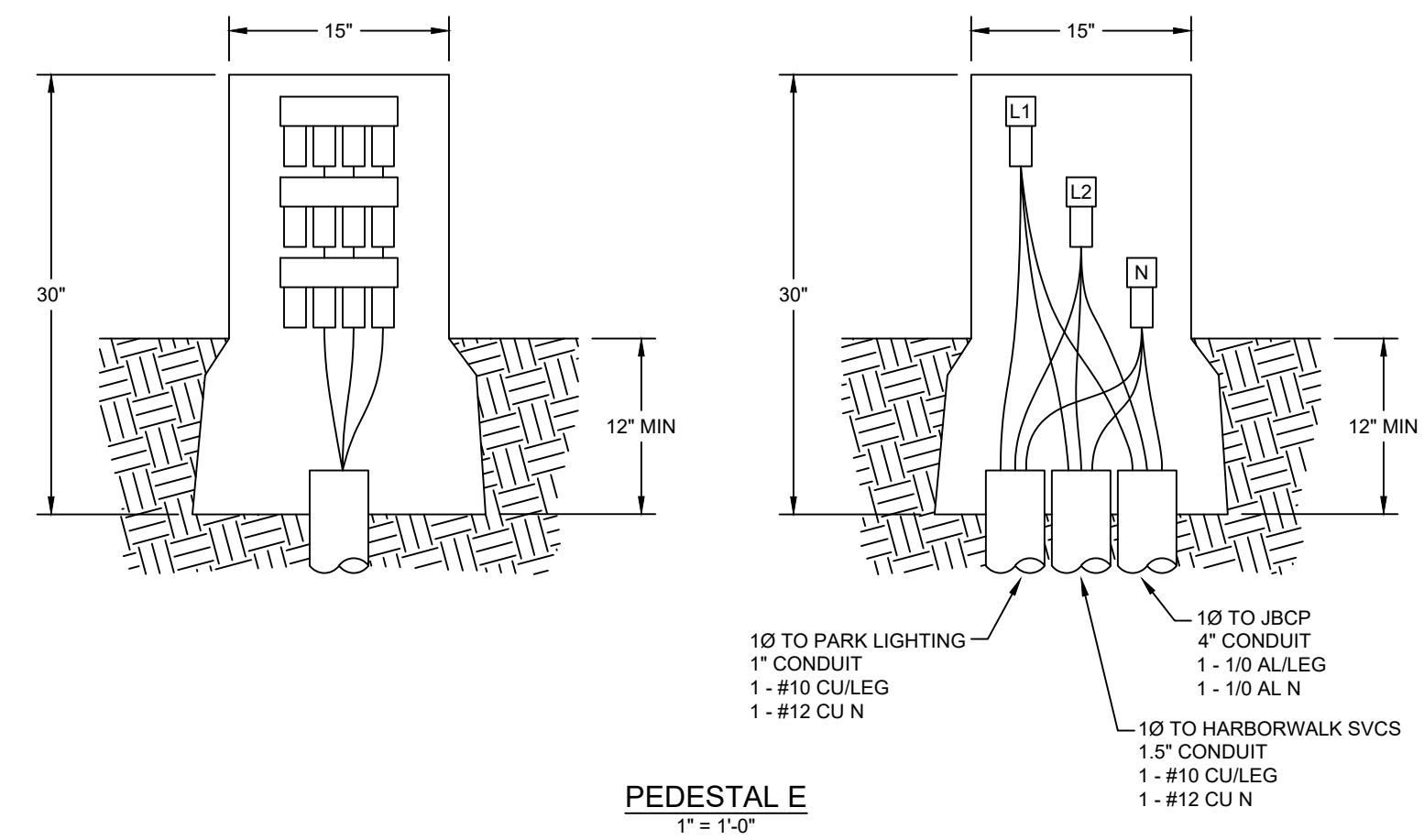


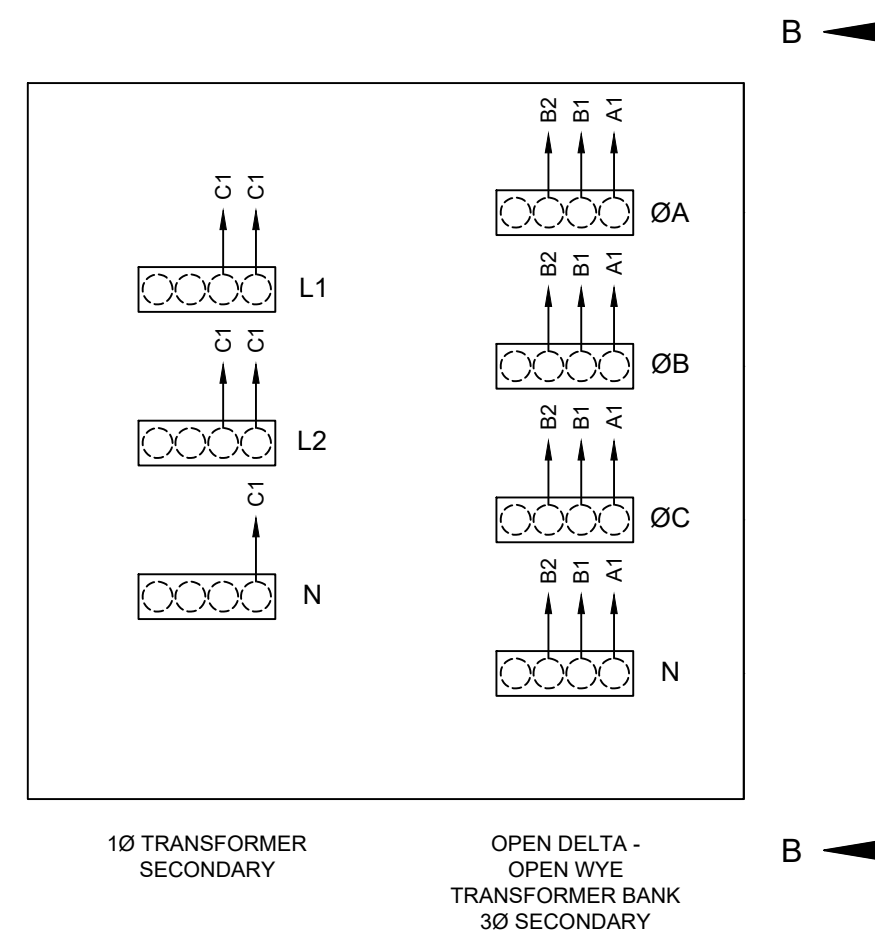
JBCP  
ELEVATION A-A  
1" = 1'-0"



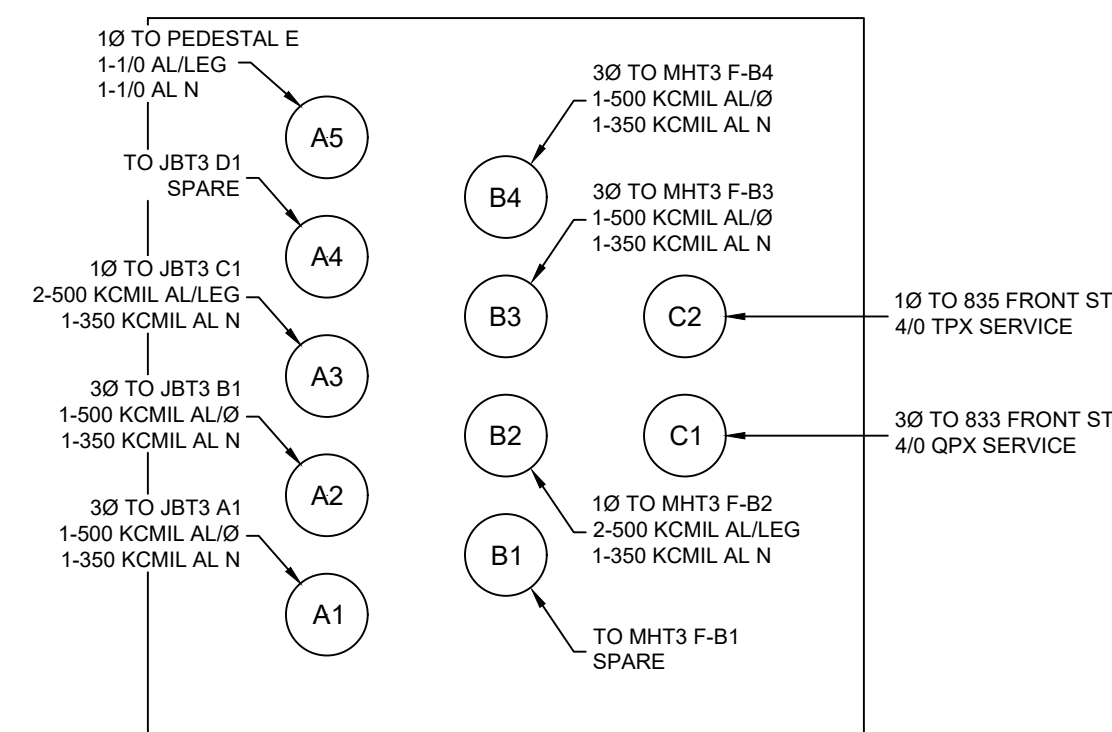
JBT3  
ELEVATION B-B  
1" = 1'-0"



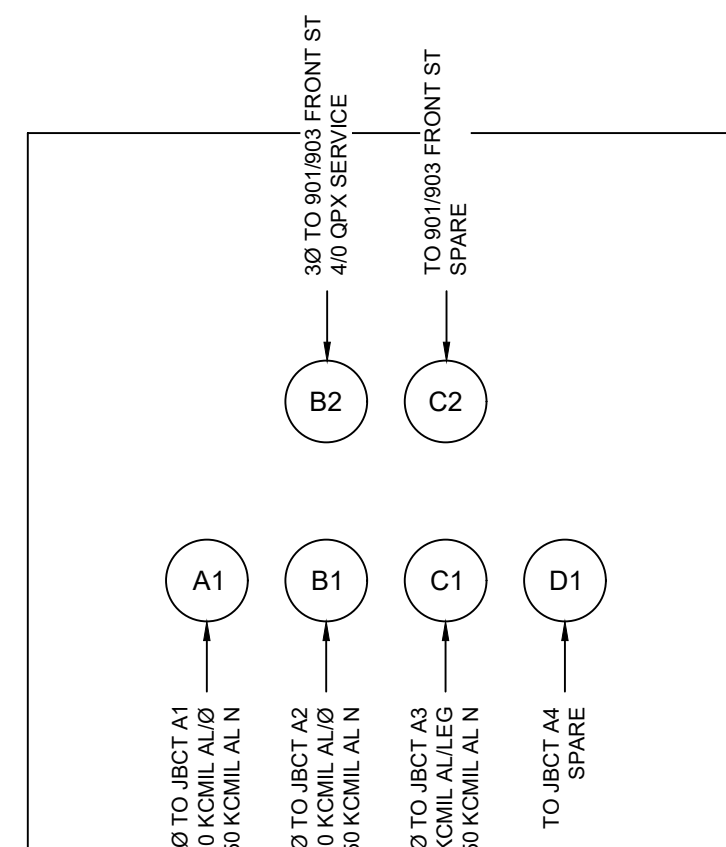
JBCP PLAN 1  
1" = 1'-0"



JBT3 PLAN 1  
1" = 1'-0"



JBCP PLAN 2  
1" = 1'-0"



JBT3 PLAN 2  
1" = 1'-0"

0	BID ISSUE	12/01/22
NO.	REVISIONS	DATE

**PRELIMINARY**  
**NOT TO BE USED FOR CONSTRUCTION**  
REVISION 11/30/22

CITY OF GEORGETOWN  
GEORGETOWN, SC

FRONT ST ELECTRIC UPGRADE - PH. 2  
JUNCTION BOX DETAILS

**UTEC** UTILITY TECHNOLOGY ENGINEERS - CONSULTANTS, PLLC  
P.O. Box 2629 • Asheboro, North Carolina • 27204

BWN: LMB	DATE: 11/28/22	DWG. NO. E2033
SCALE: NOTED	JOB NO. 220901	SHEET NO. 1 OF 1