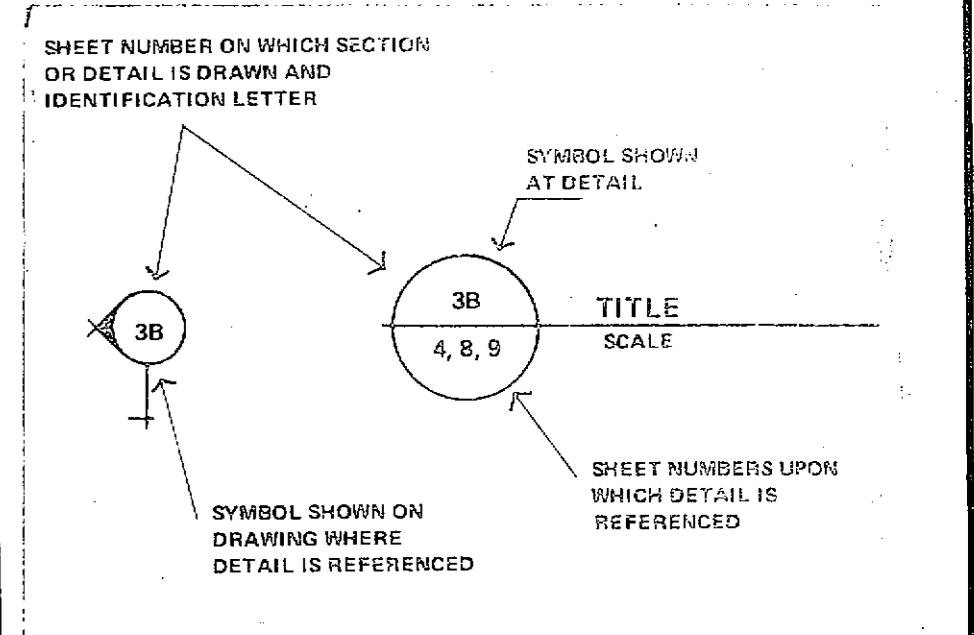


FRANKLIN COUNTY ADULT JAIL
FINISH FLOOR EL 648'-0"

MATERIAL LEGEND



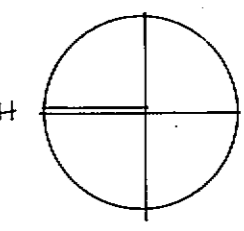
DETAIL REFERENCE KEY

INDEX OF DRAWINGS

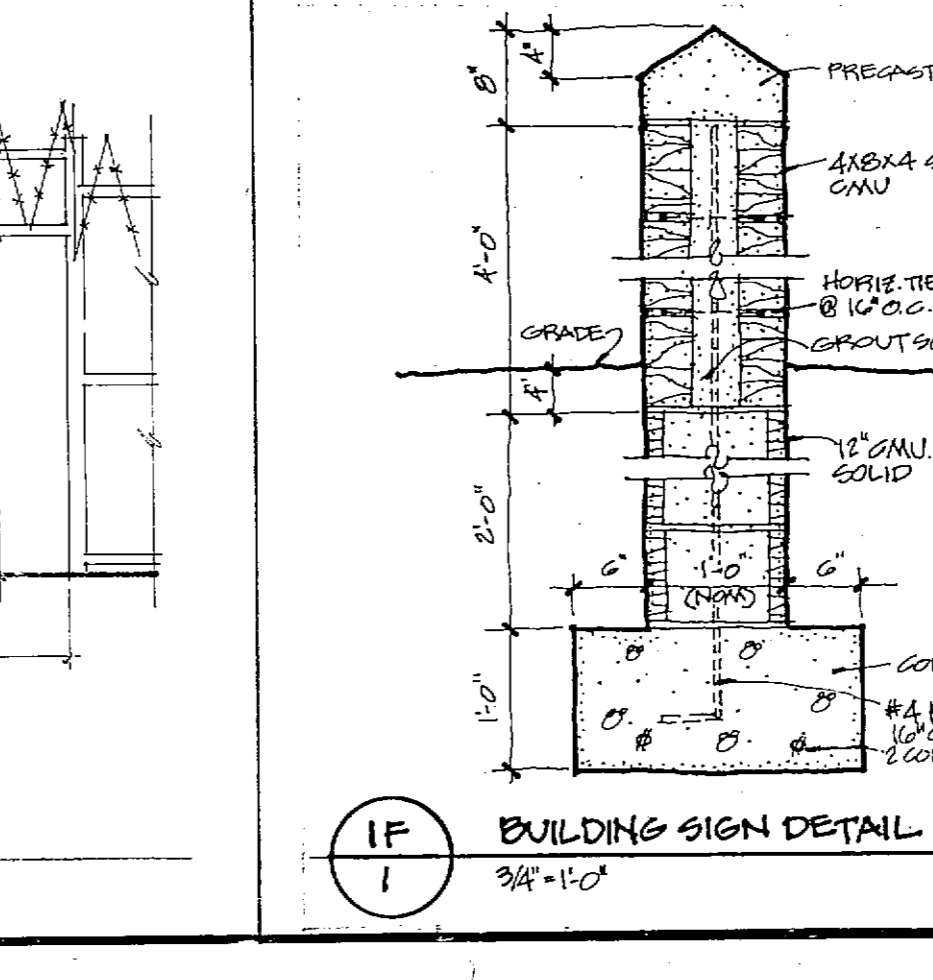
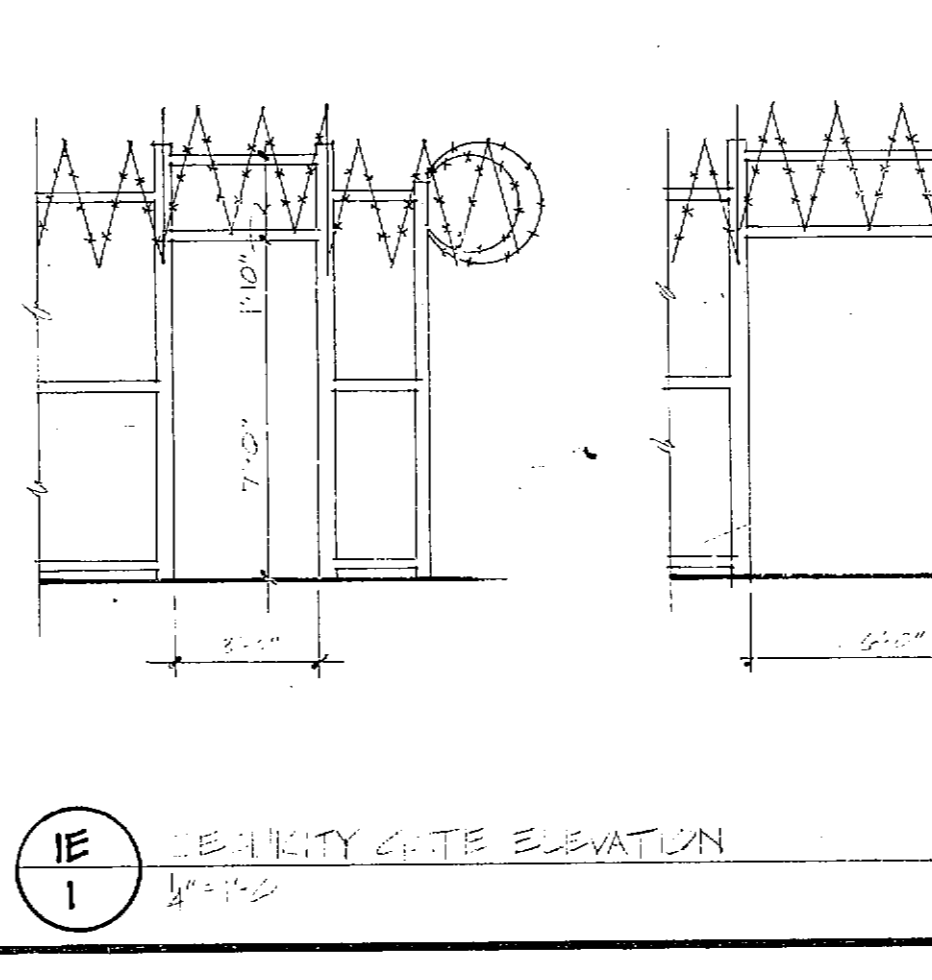
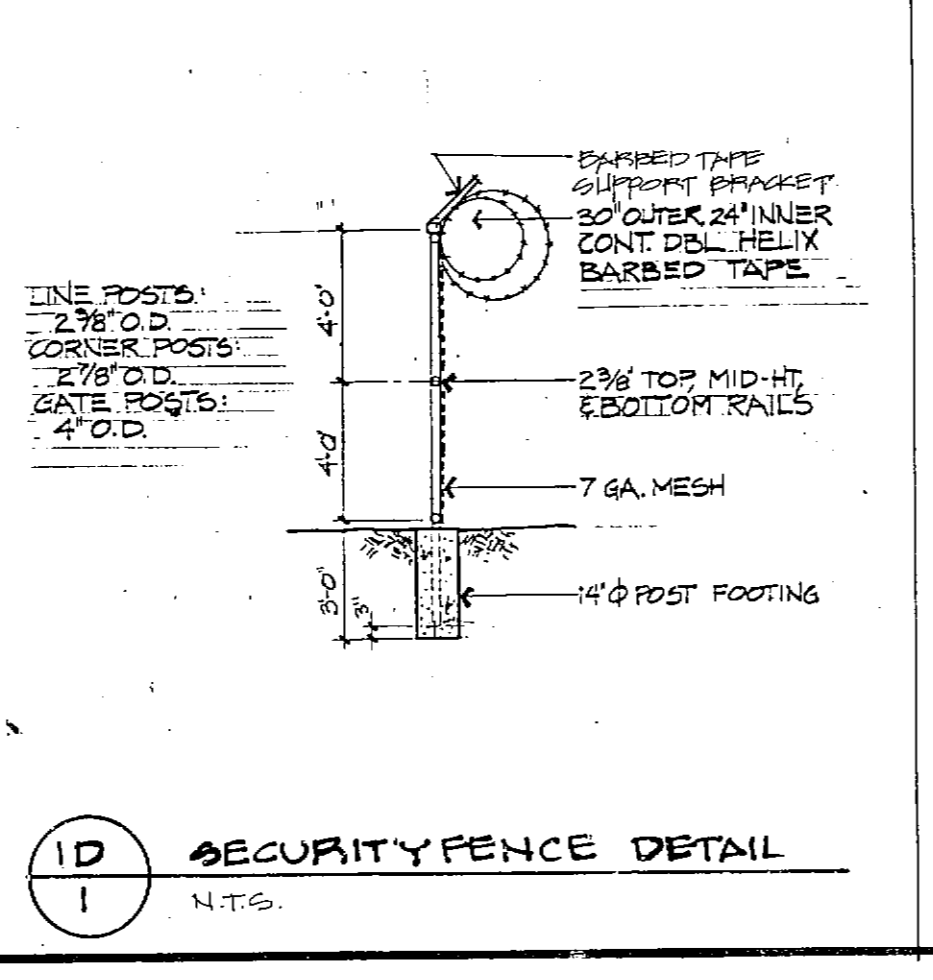
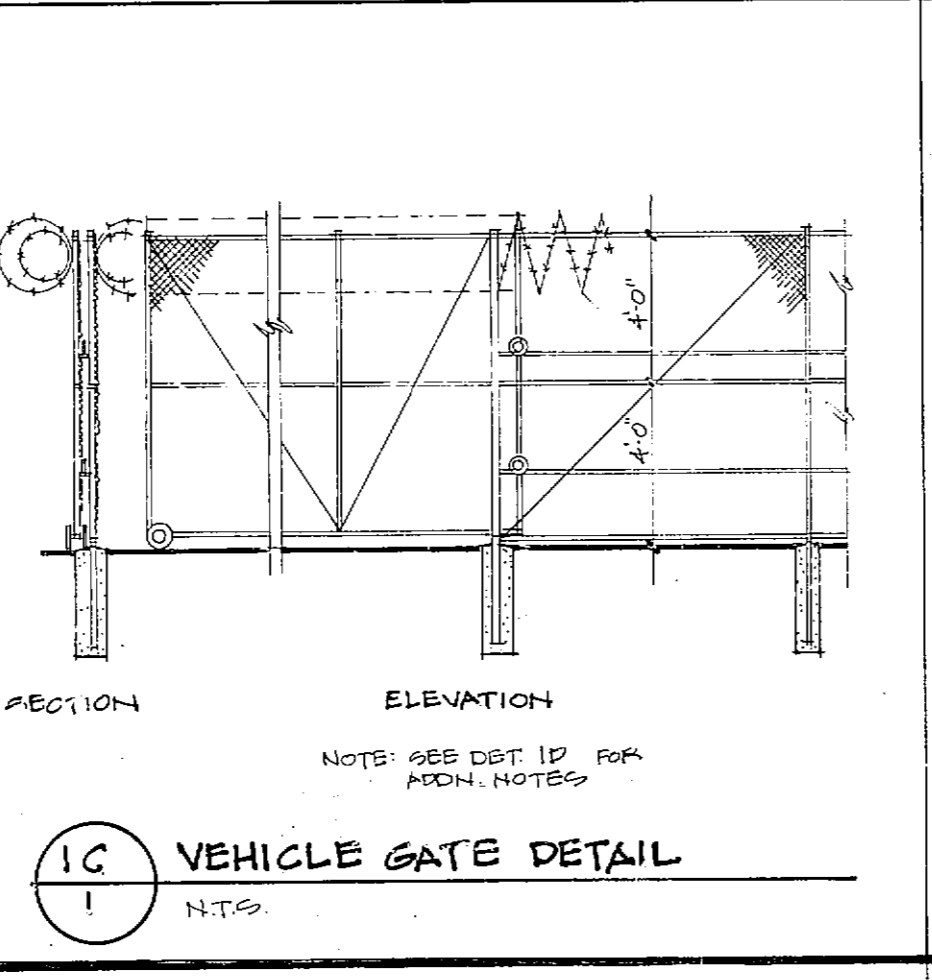
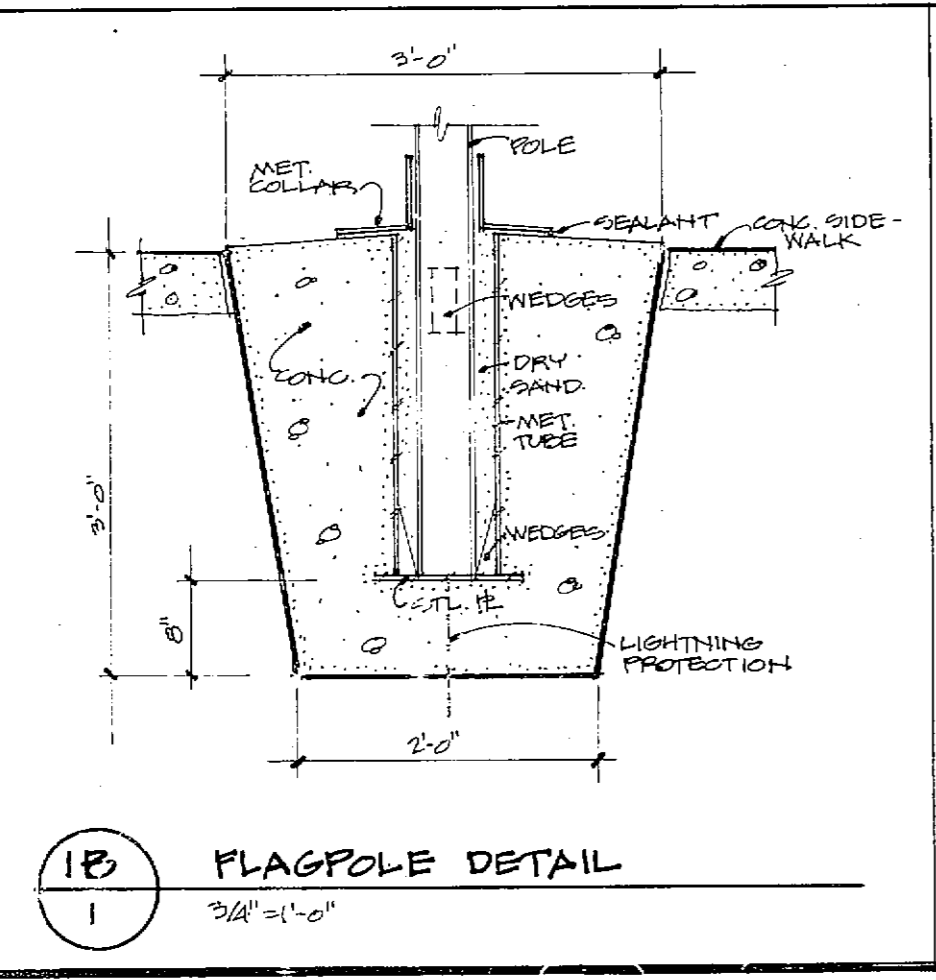
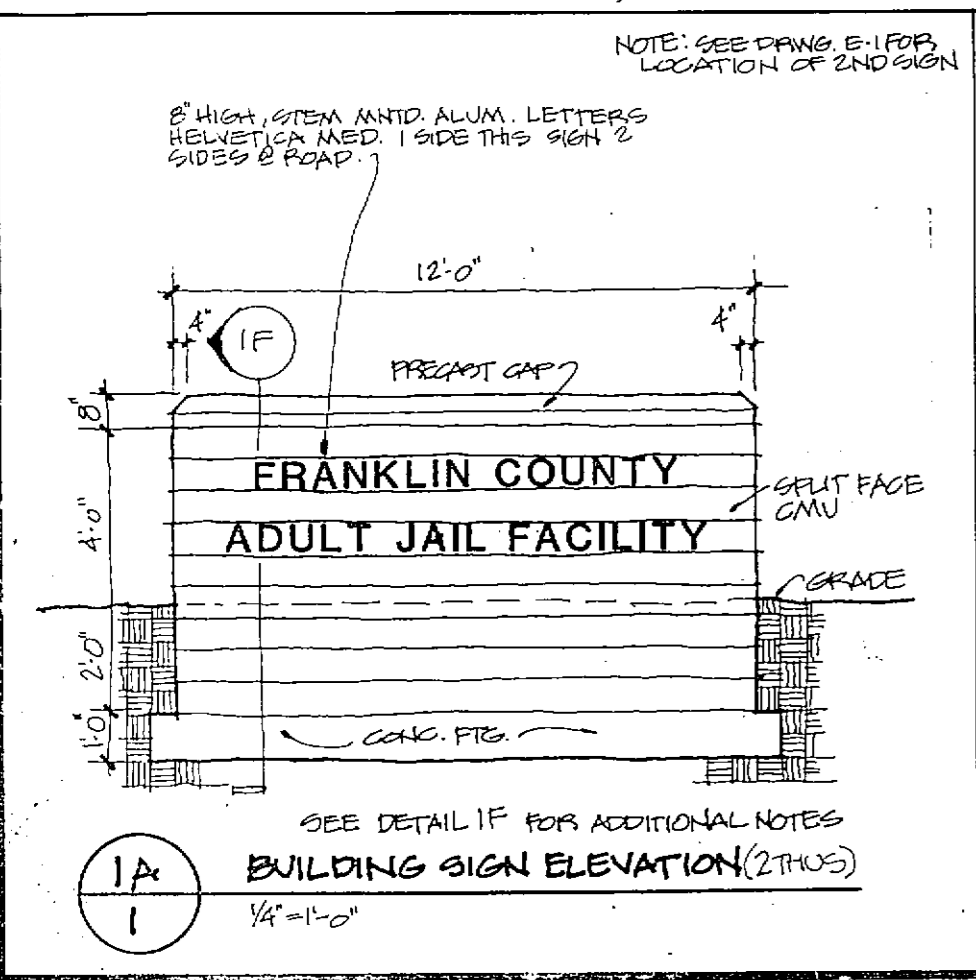
- Architectural**
 - 1 Site Plan & Site Details
 - 2 Floor Plan/Part A
 - 3 Floor Plan/Part B & Room Finish Schedule
 - 4 Floor Plan/Mezzanine & Roof Plan/Part B
 - 5 Roof Plan/Part A
 - 6 Reflected Ceiling Plan/Part A
 - 7 Reflected Ceiling Plan/Part B & Plan Details
 - 8 Reflected Ceiling Plan/Mezzanine & Plan Details
 - 9 Elevations
 - 10 Sections & Partial Elevations
 - 11 Exterior Details
 - 12 Exterior Door Details & Canopy Details
 - 13 Door Schedule & Door Details
 - 14 Misc. Details
 - 15 Enlarged Plans & Ceramic Tile Details
 - 16 Interior Elevations
 - 17 Casework Details
 - 18 Security Door Schedule
 - 19 Security Door Details
 - 20 Security Door Details
 - 21 Central Control Room Plan, Elevations, Details
 - 22 Food Service Plan & Equipment Schedule
 - 23 Food Service Equipment Details
- Structural**
 - S1 Foundation Plan/Part A
 - S2 Foundation Plan/Part B & Foundation Details
 - S3 Mezzanine Floor, Low Roof Framing Plan & Typical Steel Details
 - S4 Roof Framing Plan/Part A
 - S5 High Roof Framing Plan & Roof Deck Key Plan
 - S6 Details
- Plumbing**
 - P-1 Foundation Plan/Part A
 - P-2 Foundation Plan/Part B
 - P-3 Floor Plan/Part A
 - P-4 Floor Plan/Part B
 - P-5 Partial Floor Plan (Kitchen Area)
 - P-6 Roof Plan/Part A
 - P-7 Roof Plan/Part B
 - P-8 Details & Schedules
 - P-9 Riser Diagrams
 - P-10 Riser Diagrams
 - P-11 Details
 - FP-1 Floor Plan/Part A
 - FP-2 Floor Plan/Part B
- Misc.**
 - M-1 Floor Plan/Part A
 - M-2 Floor Plan/Part B
 - M-3 Roof Plan/Part A
 - M-4 Roof Plan/Part B & Details
 - M-5 Schedule & Details
 - M-6 Schedule
 - M-7 Schedule
- Electrical**
 - E-1 Site Plan & Symbols
 - E-2 Floor Plan/Part A Power
 - E-3 Floor Plan/Part B Power
 - E-4 Floor Plan/Part A Lighting
 - E-5 Floor Plan/Part B Lighting
 - E-6 Kitchen Plan Power
 - E-7 Floor Plan/Part A Security
 - E-8 Floor Plan/Part B Security
 - E-9 Riser Diagram Power
 - E-10 Special Purpose Schedule & Wiring Diagrams
 - E-11 Panel Board Schedules
 - E-12 Security Control Panels
 - E-13 Cable Schedules

SITE PLAN NOTES

- Refer to Drawings & Specifications prepared by Buescher-Frankenberg, Associates dated August 1984, (BFA Project No. 84-143) for all information relative to topographic & legal survey; site grading, excavation & fill; roads, walks, curbs & paving; site utilities beyond 5'-0" outside the building; and location of building on the site. The design & construction of the above identified items are under separate contract and are not included within the scope of these documents.



SITE PLAN
1/8"=1'-0"

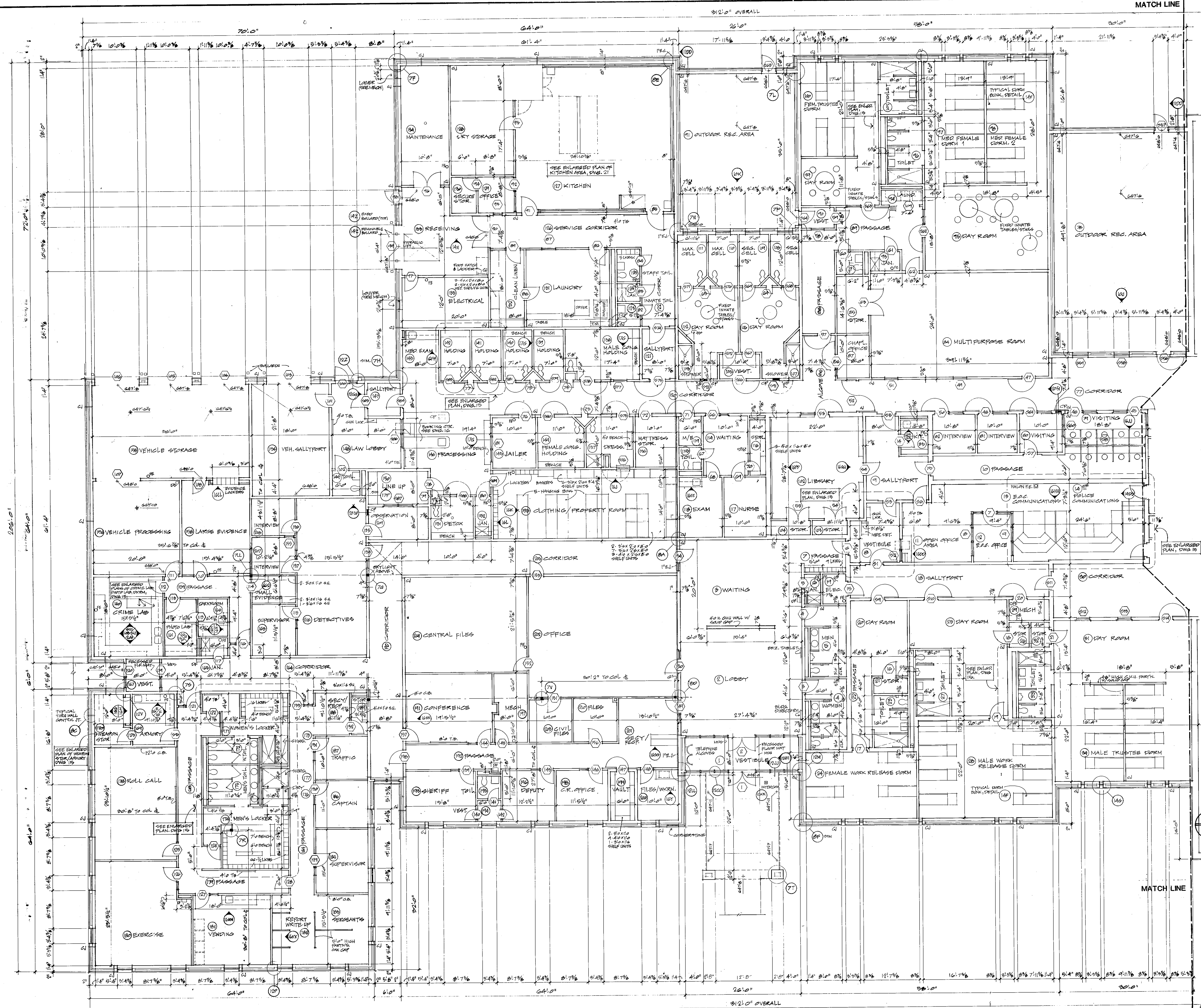


FRANKLIN COUNTY ADULT JAIL
UNION, MISSOURI



Siebold, Sydow & Eifanbaum Inc.
Structural Engineers
Colton/Lester/Niederhorn Associates, Inc.
Mechanical & Electrical Engineers
Walker McCough Foltz Lyster, P.S.
Security Consultants

	DRAWN BY EPC/KRB	1 DRAWING NO.
	CHECKED BY EPC	
	REVISED	
	PROJ. NO. 84-07.1.00 DATE MARCH 22, 1988	



- PLAN NOTES
1. All drywall partitions have sound batts within the partitions and 2'-0" wide sound batts over the partition above the ceiling.
 2. All drywall partitions are 4 7/8" thick (3 5/8" studs w/5/8" drywall both sides) unless dimensioned or noted differently.
 3. All "regular" 5" CMU walls (i.e.: non-security, non-bearing, non-rated) are to be dowelled to floor slab w/#4 rods at 2'-8" o.c. maximum. Such dowels to come up into wall minimum 2'-0", lap and continue #4 vertical reinforcement at 2'-8" to top of walls with reinforced cells grouted. These walls shall penetrate ceilings by minimum 8". Standard horizontal reinforcement every 2nd course.
 4. All 4" CMU toilet partitions shall be dowelled to floor and reinforced 8" o.c. vertically w/cells grouted. Sloped wash on top.
 5. See Reflected Ceiling Plans for all wall types that go to structure.

FLOOR PLAN / PART A
1/8" = 1'-0"

FRANKLIN COUNTY ADULT JAIL
UNION, MISSOURI

PEARCE CORPORATION
One Mercantile Center
Saint Louis, Missouri 63101

Siebold, Sydow & Eftanbaum Inc.
Structural Engineers
Colton/Lester/Miedertorn Associates, Inc.
Mechanical & Electrical Engineers
Walker, McGough, Foltz, Lyster, P.S.
Security Consultants

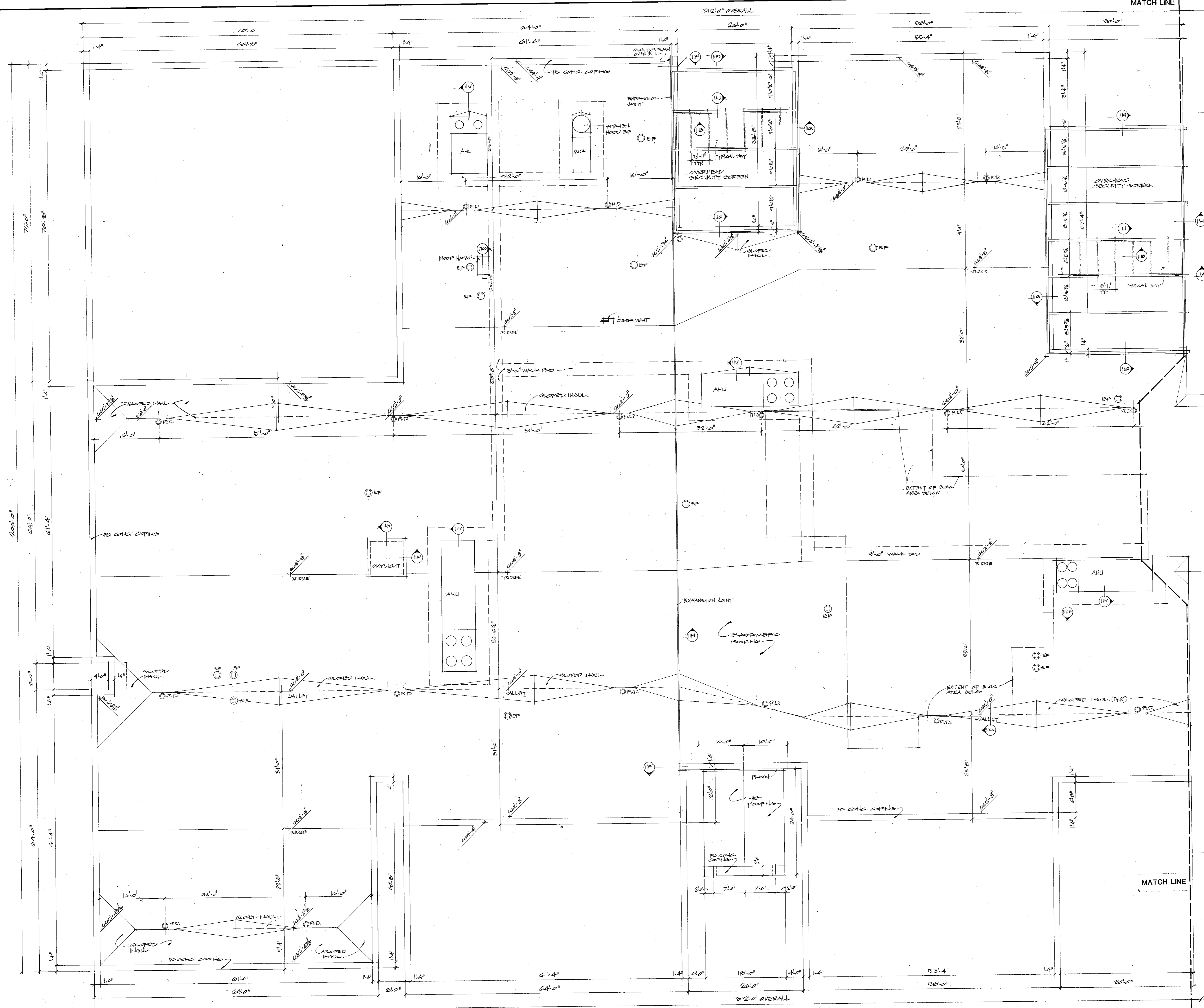
STATE OF MISSOURI REGISTERED ARCHITECT
DAVID W. PEARCE
NUMBER A-1131

DRAWN BY JKM	2
CHECKED BY JKM	
REVIS	
PROJ. NO. 84-01-1-00	DATE MARCH 22, 1985
DRAWING NO.	

ROOM FINISH SCHEDULE						
ROOM NO.	ROOM NAME	FLOOR	BASE	WALLS	CEILING	REMARKS
1	Vestibule	VCT	--	CMU 1	ACT 3	10'-0" 7'-8" x 7'-8" Recessed Floor Slab
2	Lobby	VCT	V	CMU 1	ACT 3	10'-0"
3	Waiting	VCT	V	CMU 1	ACT 3	10'-0"
4	Men	CT	CT	CMU 1	ACT 2	8'-8"
5	Women	CT	CT	CMU 1	ACT 2	8'-8"
6	Janitor	CEM	--	CMU 1	GB 1	8'-0"
7	Passage	VCT	V	CMU 1	ACT 1	8'-8"
8	Vestibule	VCT	V	CMU 1	ACT 1	8'-8"
9	Sallyport	VCT	V	CMU 1	GB 2	8'-8"
10	Passage	VCT	V	CMU 1	ACT 1	8'-8"
11	Open Office Area	CARP 2	V	CMU 1	ACT 1	8'-8"
12	E.O.C. Office	CARP 2	V	CMU 1	ACT 1	8'-8"
13	E.O.C. Communication	CARP 2	V	CMU 1	ACT 1	8'-8" Floor raised 1'-6" Behind equipment
14	Police Communication	CARP 2	V	CMU 1	ACT 1	8'-8" Floor raised 1'-6" Behind equipment
15	Central Control	CARP 2	V	CMU 1	ACT 1	8'-8" Floor Raised 1'-6"
16	Toilet	CT	CT	CMU 1	GB 1	8'-8" Floor Raised 1'-6"
17	Equipment	VCT	V	CMU 2	ACT 1	8'-8"
18	Sallyport	VCT	V	CMU 1	GB 2	8'-8"
19	Electrical	CEM	--	CMU 2	GB 2	8'-0"
20	Day Room	VCT	V	CMU 1	GB 3	8'-8"
21	Storage	VCT	V	CMU 2	GB 2	8'-0"
22	Passage	VCT	V	CMU 1	GB 2	8'-8"
23	Toilet	CT	CT	CMU 1	GB 2	8'-8" W.R. Gyp. Bd.
24	Men W.R. Dorm	VCT	V	CMU 1	GB 2	8'-8"
25	Dayroom	VCT	V	CMU 1	GB 3	8'-8"
26	Storage	VCT	V	CMU 2	GB 2	8'-0"
27	Toilet	CT	CT	CMU 1	GB 2	8'-8" W.R. Gyp. Bd.
28	Male W.R. Dorm	VCT	V	CMU 1	GB 2	8'-8"
29	Mech.	CEM	--	CMU 2	GB 2	8'-0"
30	Corridor	VCT	V	CMU 1	ACT 1	8'-8"
31	Day Room	VCT	V	CMU 1	GB 3	8'-8"
32	Storage	VCT	V	CMU 2	GB 2	8'-0"
33	Toilet	CT	CT	CMU 1	GB 2	8'-8" W.R. Gyp. Bd.
34	Male Trustee Dorm	VCT	V	CMU 1	GB 2	8'-8"
35	Vestibule	VCT	V	CMU 1	GB 2	8'-8"
36	Med. Male Day Room	VCT	V	CMU 1	GB 2	8'-8" * Under Balcony
37	Med. Male Dorm	CEM	--	CMU 1	Conc 1	8'-0"
38	Toilet	CT	CT	CMU 1	Conc 1	8'-0" 7'-4" MR GB CLG. # Shower
39	Storage	CEM	--	CMU 2	Conc	8'-0"
40	Storage	CEM	--	CMU 2	Conc	8'-0"
41	Toilet	CT	CT	CMU 1	Conc 1	8'-0" 7'-4" MR GB CLG. # Shower
42	Med Male Dorm	CEM	--	CMU 1	Conc 1	8'-0"
43	Med Male Dayroom	VCT	V	CMU 1	GB 3	8'-8" * Under Balcony
44	Corridor	VCT	V	CMU 1	ACT 1	8'-8"
45	Vestibule	VCT	V	CMU 1	GB 2	8'-8"
46	Isolation Day Room	VCT	V	CMU 1	GB 3	8'-8"
47	Shower	CT	CT	CMU 1	GB 2	8'-8" W.R. Gyp. Bd.
48	Cell	CEM	--	CMU 1	Conc 1	8'-0"
49	Cell	CEM	--	CMU 1	Conc 1	8'-0"
50	Cell	CEM	--	CMU 1	Conc 1	8'-0"
51	Cell	CEM	--	CMU 1	Conc 1	8'-0"
52	Cell	CEM	--	CMU 1	Conc 1	8'-0"
53	Cell	CEM	--	CMU 1	Conc 1	8'-0"
54	Shower	CT	CT	CMU 1	GB 2	8'-8" W.R. Gyp. Bd.
55	Spec. Male Dayroom	VCT	V	CMU 1	GB 3	8'-8"
56	Floor Control	VCT	V	CMU 1	ACT 1	8'-8"
57	Janitor	CEM	--	CMU 1	GB 1	8'-0"
58	Vestibule	VCT	V	CMU 1	GB 2	8'-8"
59	Max. Male Day Room	VCT	V	CMU 1	GB 2	8'-8" * Under Balcony
60	Cell	CEM	--	CMU 1	Conc 1	8'-0"
61	Cell	CEM	--	CMU 1	Conc 1	8'-0"
62	Cell	CEM	--	CMU 1	Conc 1	8'-0"
63	Cell	CEM	--	CMU 1	Conc 1	8'-0"
64	Cell	CEM	--	CMU 1	Conc 1	8'-0"
65	Cell	CEM	--	CMU 1	Conc 1	8'-0"
66	Storage	CEM	--	CMU 2	Conc	8'-0"
67	Toilet	CT	CT	CMU 1	Conc 1	8'-0" 7'-4" MR GB CLG. # Shower
68	Toilet	CT	CT	CMU 1	Conc 1	8'-0" 7'-4" MR GB CLG. # Shower
69	Storage	CEM	--	CMU 2	Conc	8'-0"
70	Cell	CEM	--	CMU 1	Conc 1	8'-0"
71	Cell	CEM	--	CMU 1	Conc 1	8'-0"
72	Cell	CEM	--	CMU 1	Conc 1	8'-0"
73	Cell	CEM	--	CMU 1	Conc 1	8'-0"
74	Cell	CEM	--	CMU 1	Conc 1	8'-0"
75	Cell	CEM	--	CMU 1	Conc 1	8'-0"
76	Max. Male Day Room	VCT	V	CMU 1	GB 3	8'-8" * Under Balcony
77	Corridor	VCT	V	CMU 1	ACT 1	8'-8"
78	Outdoor Rec. Area	CEM	--	CMU Ven. Sec. Scr	16'-8"	
79	Visiting	VCT	V	CMU 1	GB 3	8'-8"
80	Visiting	VCT	V	CMU 1	GB 3	8'-8"
81	Interview	VCT	V	CMU 1	GB 3	8'-8"
82	Interview	VCT	V	CMU 1	GB 3	8'-8"
83	Kitchen	VCT	V	CMU 1	GB 2	8'-0"
84	Multi-Purpose Rm	VCT	V	CMU 1	GB 3	10'-0"
85	Storage	VCT	V	CMU 2	GB 2	8'-8"
86	Alcove	VCT	V	CMU 1	ACT 1	8'-8"
87	Chaplain's Office	CARP 2	V	CMU 1	GB 3	8'-8"
88	Passage	VCT	V	CMU 1	GB 2	8'-8"
89	Passage	VCT	V	CMU 1	GB 2	8'-8"
90	Vestibule	VCT	V	CMU 1	GB 2	8'-8"
91	Outdoor Rec. Area	CEM	--	CMU Ven. Sec. Scr	16'-8"	
92	Toilet	CT	CT	CMU 1	GB 2	8'-0"
93	Janitor	CEM	--	CMU 1	GB 2	8'-0"
94	Laundry	VCT	V	CMU 1	GB 2	8'-8"
95	Day Room	VCT	V	CMU 1	GB 3	8'-8"
96	Toilet	CT	CT	CMU 1	GB 2	8'-8" W.R. Gyp. Bd.

ROOM FINISH SCHEDULE							
ROOM NO.	ROOM NAME	FLOOR	BASE	WALLS	CEILING	REMARKS	
97	Med. Fem. Dorm 1	CEM	--	CMU 1	GB 2	8'-8"	
98	Med. Fem. Dorm 2	CEM	--	CMU 1	GB 2	8'-8"	
99	Day Room	VCT	V	CMU 1	GB 3	8'-8"	
100	Fem. Trustee Dorm	VCT	V	CMU 1	GB 2	8'-8"	
101	Toilet	CT	CT	CMU 1	GB 2	8'-8" W.R. Gyp. Bd.	
102	Library	CARP 2	V	CMU 1	GB 3	10'-0"	
103	Storage	CARP 2	V	CMU 2	GB 2	8'-0"	
104	Storage	CARP 2	V	CMU 2	GB 2	8'-0"	
105	Vestibule	VCT	V	CMU 1	GB 2	8'-8"	
106	Day Room	VCT	V	CMU 1	GB 3	8'-8"	
107	Shower	CT	CT	CMU 1	GB 2	8'-8" W.R. Gyp. Bd.	
108	Segregation Cell	CEM	--	CMU 1	Conc 1	8'-0"	
109	Segregation Cell	CEM	--	CMU 1	Conc 1	8'-0"	
110	Maximum Cell	CEM	--	CMU 1	Conc 1	8'-0"	
111	Maximum Cell	CEM	--	CMU 1	Conc 1	8'-0"	
112	Day Room	VCT	V	CMU 1	GB 3	8'-8"	
113	Shower	CT	CT	CMU 1	GB 2	8'-8" W.R. Gyp. Bd.	
114	Waiting	VCT	V	CMU 1	GB 2	8'-8"	
115	Toilet	CT	CT	CMU 1	GB 2	8'-0"	
116	Storage	VCT	V	CMU 2	GB 2	8'-0"	
117	Nurse	CARP 2	V	CMU 1	GB 3	8'-8"	
118	Exam	VCT	V	CMU 1	GB 3	8'-8"	
119	M/E	CEM	--	CMU 2	GB 2	8'-0"	
120	Corridor	VCT	V	CMU 1	ACT 1	8'-8"	
121	Sallyport	VCT	V	CMU 1	GB 2	8'-8"	
122	Corridor	VCT	V	CMU 1	ACT 1	8'-8"	
123	Inmate Toilet	CT	CT	CMU 1	GB 2	8'-0"	
124	Janitor	CEM	--	CMU 1	GB 2	8'-0"	
125	Staff Toilet	CT	CT	CMU 1	GB 2	8'-0"	
126	Service Corridor	VCT	V	CMU 1	ACT 1	8'-8"	
127	Kitchen	QT	QT	CMU 1	ACT 2	10'-0"	
128	Dry Storage	VCT	V	CMU 1	ACT 2	8'-8"	
129	Office	VCT	V	CMU 1	ACT 2	8'-8"	
130	Secure Storage	VCT	V	CMU 2	ACT 1	8'-8"	
131	Laundry	QT	QT	CMU 1	ACT 2	10'-0"	
132	Clean Linen	VCT	V	CMU 1	GB 1	8'-8"	
133	Receiving	CEM	--	CMU 1	GB 1	12'-8"	
134	Maintenance	CEM	--	CMU 2	ACT 1	10'-0"	
135	Electrical	CEM	--	CMU 2	ACT 1	10'-0"	
136	Mattress Storage	CEM	--	CMU 1	GB 2	8'-8"	
137	Dressing	VCT	V	CMU 1	GB 2	8'-8" CT Floor/base # Sh. W.R. GB CLG.	
138	Male Cong. Holding	CEM	--	CMU 1	CONC 1	8'-0"	
139	Holding	CEM	--	CMU 1	CONC 1	8'-0"	
140	Holding	CEM	--	CMU 1	CONC 1	8'-0"	
141	Holding	CEM	--	CMU 1	CONC 1	8'-0"	
142	Holding	CEM	--	CMU 1	CONC 1	8'-0"	
143	Medical Exam	VCT	V	CMU 1	ACT 1	8'-8"	
144	Fem. Cong. Holding	CEM	--	CMU 1	CONC 1	8'-0"	
145	Jailer	VCT	V	CMU 1	GB 2	8'-8"	
146	Processing	VCT	V	CMU 1	ACT 1	8'-8"	
147	Sallyport	VCT	V	CMU 1	GB 2	8'-8"	
148	Law Lobby	VCT	V	CMU 1	GB 2	8'-8"	
149	Toilet	CT	CT	CMU 1	GB 2	8'-0"	
150	Line Up	VCT	V	CMU 1	GB 2	8'-8"	
151	Detox	CEM	--	CMU 1	CONC 1	8'-0"	
152	Janitor	CEM	--	CMU 1	GB 2	8'-0"	
153	Clothing/Prep. Rm	CEM	--	CMU 2	ACT 1	8'-8"	
154	Vehicle Sallyport	CEM	--	CMU 1	GB 2	10'-0"	
155	Vehicle Storage	CEM	--	CMU 1	GB 1	10'-0"	
156	Vehicle Processing	CEM	--	CMU 1	GB 1	10'-0"	
157	Not Used						
158	Large Evidence	VCT	V	CMU 1	GB 1	8'-8"	
159	Passage	VCT	V	CMU 1	ACT 1	8'-8"	
160	Crime Lab	VCT	V	CMU 1	ACT 2	8'-8" Epoxy paint on GB	
161	Photo Lab	VCT	V	GB	GB 1	8'-0" Epoxy paint on GB	
162	Small Evidence	VCT	V	GB	GB 1	8'-0"	
163	Supervisor	VCT	V	GB	ACT 1	8'-8"	
164	Corridor	VCT	V	CMU 2	GB	8'-8"	
165	Janitor	CEM	--	CMU 1	GB 1	8'-0"	
166	Darkroom	VCT	V	GB	GB 1	8'-0"	
167	Vestibule	VCT	V	CMU 2	ACT 1	10'-0" Recessed floor mat	
168	Passage	VCT	V	GB	ACT 1	8'-8" V. Fab. on G.S. Walls	
169	Armory	VCT	V	CMU 1	CONC 1	8'-0"	
170	Weapons' Storage	VCT	V	CMU 1	CONC 1	8'-0"	
171	Women's Locker	VCT	V	GB	ACT 2	8'-8"	
172	Women's Toilet	CT	CT	GB	ACT 2	8'-8"	
173	Showers	CT	CT	GB	1	8'-0" W.R. Gyp. Bd.	
174	Men's Locker	VCT	V	GB	ACT 2	8'-8"	
175	Men's Toilet	CT	CT	GB	ACT 2	8'-8"	
176	Dry	CT	CT	GB	1	8'-0" W.R. Gyp. Bd.	
177	Showers	CT	CT	CT	GB	1	8'-0" W.R. Gyp. Bd.
178	Bull Cell	VCT	V	GB	ACT 1	8'-8" V. Fab. on G.S. Walls	
179	Passage	VCT	V	GB	ACT 1	8'-8" V. Fab. on G.S. Walls	
180	Exercise	VCT	V	GB	ACT 1	8'-8" V. Fab. on G.S. Walls	
181	Vending	VCT	V	GB	ACT 2	8'-8" V. Fab. on G.S. Walls	
182	Report Write Up	CARP 2	V	GB	ACT 1	8'-8" V. Fab. on G.S. Walls	
183	Berghants	CARP 2	V	GB	ACT 1	8'-8" V. Fab. on G.S. Walls	
184	Passage	CARP 2	V	GB	ACT 1	8'-8" V. Fab. on G.S. Walls	
185	Supervisor	CARP 2	V	GB	ACT 1	8'-8" V. Fab. on G.S. Walls	
186	Captain	CARP 2	V	GB	ACT 1	8'-8" V. Fab. on G.S. Walls	
187	Traffic	CARP 2	V	GB	ACT 1	8'-8" V. Fab. on G.S. Walls	
188	Sec'y/Resp.	CARP 2	V	GB	ACT 1	8'-8" V. Fab. on G.S. Walls	
189	Storage	CARP 2	V	GB	GB 1	8'-0"	
190	Corridor	VCT	V	CMU 2	ACT 1	8'-8"	
191	Conference	CARP 3	V	GB	ACT 1	8'-8" V. Fab. on G.S. Walls	
192	Passage	CARP 2	V	GB	ACT 1	8'-8" V. Fab. on G.S. Walls	

ROOM FINISH SCHEDULE						
ROOM NO.	ROOM NAME	FLOOR	BASE	WALLS	CEILING	REMARKS
193	Sheriff	CARP 3	V	GB	ACT 1	8'-8" V. Fab. on G.S. Walls
194	Vestibule	CARP 3	V	GB	GB 1	8'-0"
195	Toilet	CT	CT	GB	GB 1	8'-0"
196	Deputy	CARP 3	V	GB	ACT 1	8'-8" V. Fab. on G.S. Walls
197	Mech	CEM	--	GB	GB 1	8'-0"
198	C. R. Office	CARP 3	V	GB	ACT 1	8'-8" V. Fab. on G.S. Walls
199	Vault	VCT	V	CMU 2	CONC 2	8'-0"
200	Files/Work Room	VCT	V	CMU 2	ACT 1	8'-8"
201	Sec'y/Resp.	CARP 2	V	GB	ACT 1	8'-8"
202	Office	CARP 2	V	GB	ACT 1	8'-8" V. Fab. on G.S. Walls
203	Civil Files	VCT	V	GB	ACT 1	8'-8"
204	Central Files	VCT	V	GB	ACT 1	8'-8"
205	Corridor	VCT	V	CMU 2	ACT 1	8'-8"
206	Detectives	CARP 2	V	CMU 2	ACT 1	8'-8" V. Fab. on G.S. Walls
207	Interview	CARP 2				



NOTES:
1. SEE PLUMBING DETAILS FOR V.P. LOCATIONS.

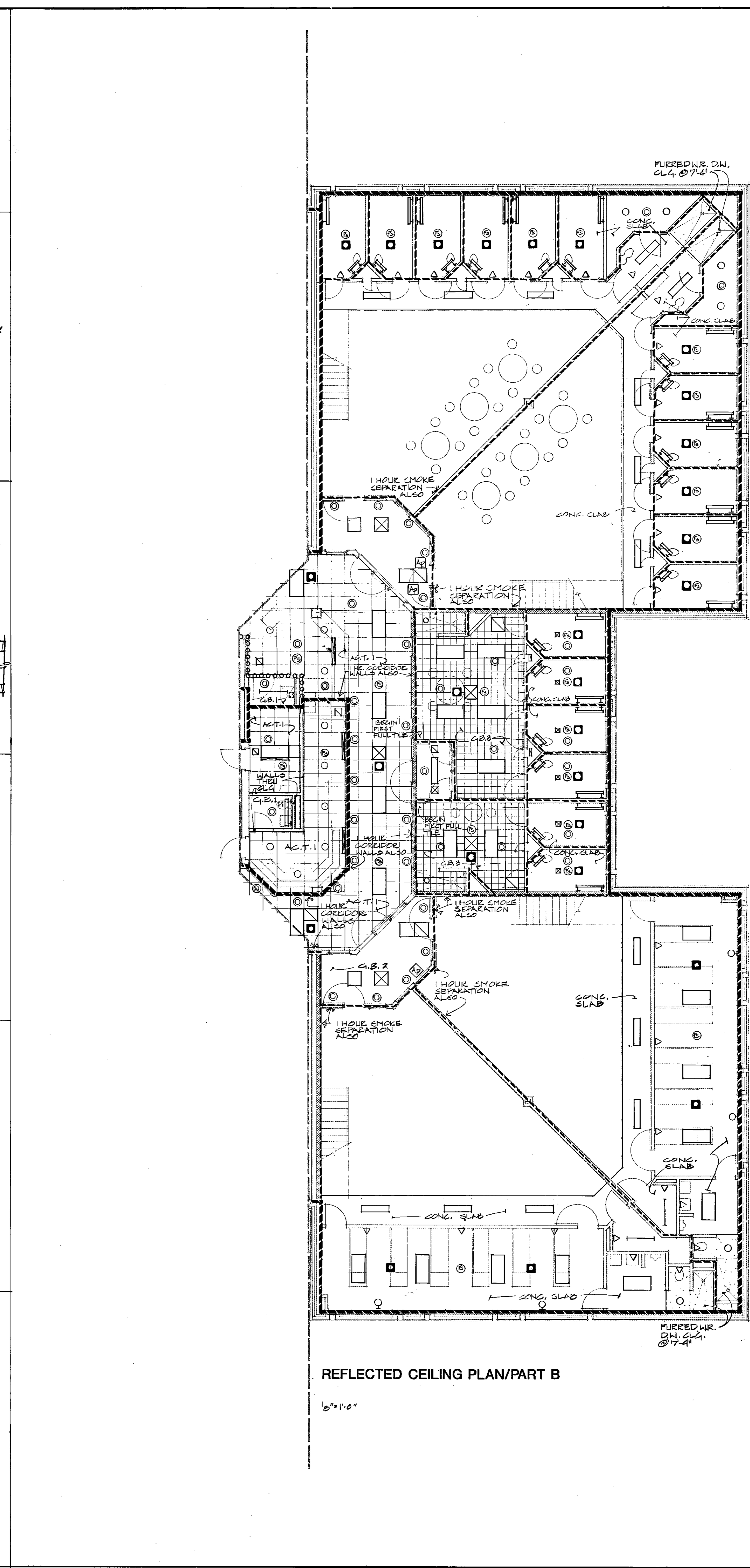
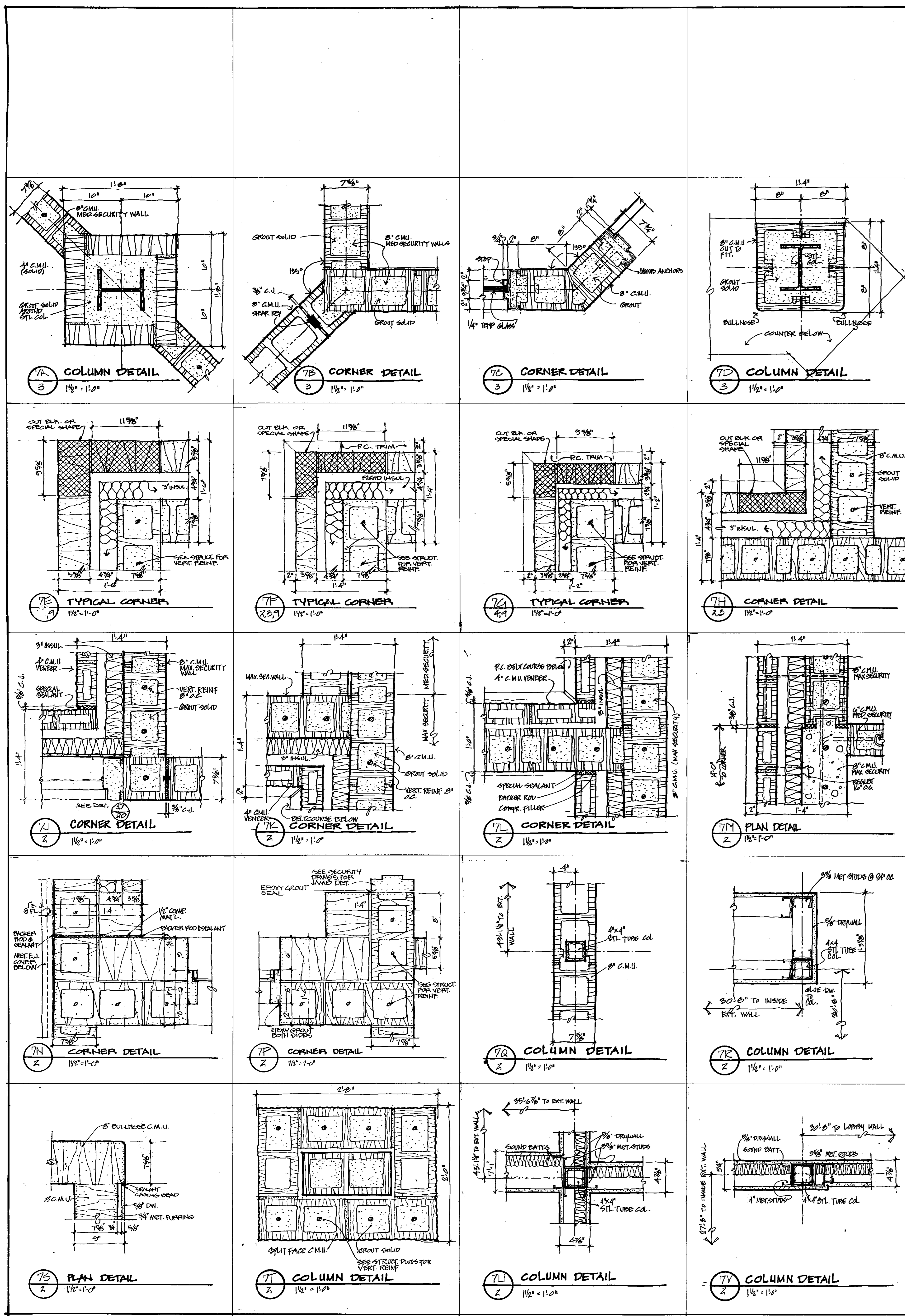
ROOF PLAN / PART A

FRANKLIN COUNTY ADULT JAIL
UNION, MISSOURI

PEARCE CORPORATION
One Mercantile Center
St. Louis, Missouri 63101

Siebold, Sydow & Eifanbaum Inc.
Structural Engineers
Colton/Lester/Niederhorn Associates, Inc.
Mechanical & Electrical Engineers
Walker McGough Fotiz Lyster, P.S.
Security Consultants

	DRAWN BY JPM	5
	CHECKED BY JPM	
	REVISED	
	PROJ. NO. 84-07-1.00 DATE MARCH-02, 1989 DRAWING NO.	



WALL TYPE LEGEND

MAXIMUM SECURITY
 8" CMU OR CONCRETE UNLESS NOTED OTHERWISE
 DOWELS AT 8" O.C. (H & V)
 GROUT ALL CELLS

MEDIUM SECURITY WALL
 8" CMU UNLESS ALSO A BEARING WALL
 DOWELS AT 8" O.C.
 REINF AT 1'-4" O.C. (H ONLY)
 GROUT ALL CELLS

3 HOUR OCCUPANCY SEPARATION
 8" CMU EXCEPT WHERE 12" CMU AT E.O.C.
 DOWELS AT 8" O.C.
 REINF AT 1'-4" O.C. (H ONLY)

1 HOUR SMOKE SEPARATION WALL
 8" OR 6" CMU AS NOTED
 DOWELS AT 8" O.C.
 REINF AT 1'-4" O.C. (H ONLY)

1 HOUR RATED WALL (CORRIDOR, ETC.)
 8" OR 6" CMU AS NOTED
 DOWELS AT 8" O.C.
 REINF AT 1'-4" O.C. (H ONLY)

BEARING WALL
 8" CMU UNLESS NOTED OTHERWISE
 DOWELS AT 8" O.C.
 REINF AT 1'-4" O.C. (H ONLY)

BEAM CENTER LINE

SYMBOLS LEGEND

FLUORESCENT FIXTURE OR

STRIP FLUORESCENT FIXTURE

INCANDESCENT OR HID FIXTURE

EXIT LIGHT

UNIT HEATER

SPEAKER

YARD SPEAKER

CAMERA/MONITOR

SUPPLY AIR GRILLE

RETURN AIR GRILLE

EXHAUST FAN GRILLE

SMOKE DETECTOR

SPRINKLER HEAD

SIDEWALL SPRINKLER HEAD

ACCESS PANEL

FRANKLIN COUNTY ADULT JAIL
 UNION, MISSOURI

PEARCE CORPORATION
 One Merchants Center
 Suite 1000, Missouri 63101

Siebold, Sydow & Eitanbaum Inc.
 Structural Engineers
 Colton/Lester/Niederhorm Associates, Inc.
 Mechanical & Electrical Engineers
 Walker McGough Foltz Lyeria, P.S.
 Security Consultants

DRAWN BY
 KRB, JKT, BPS

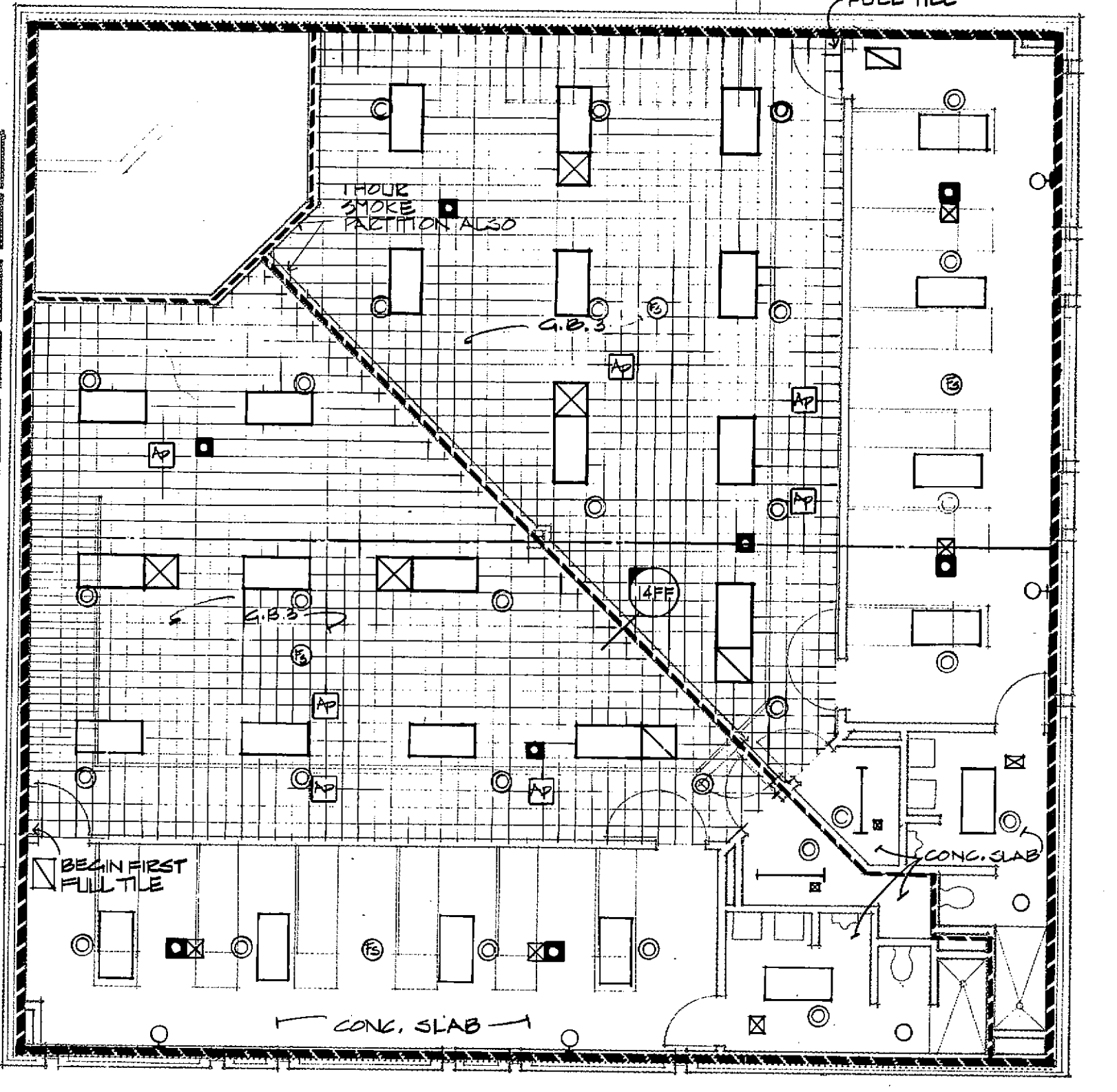
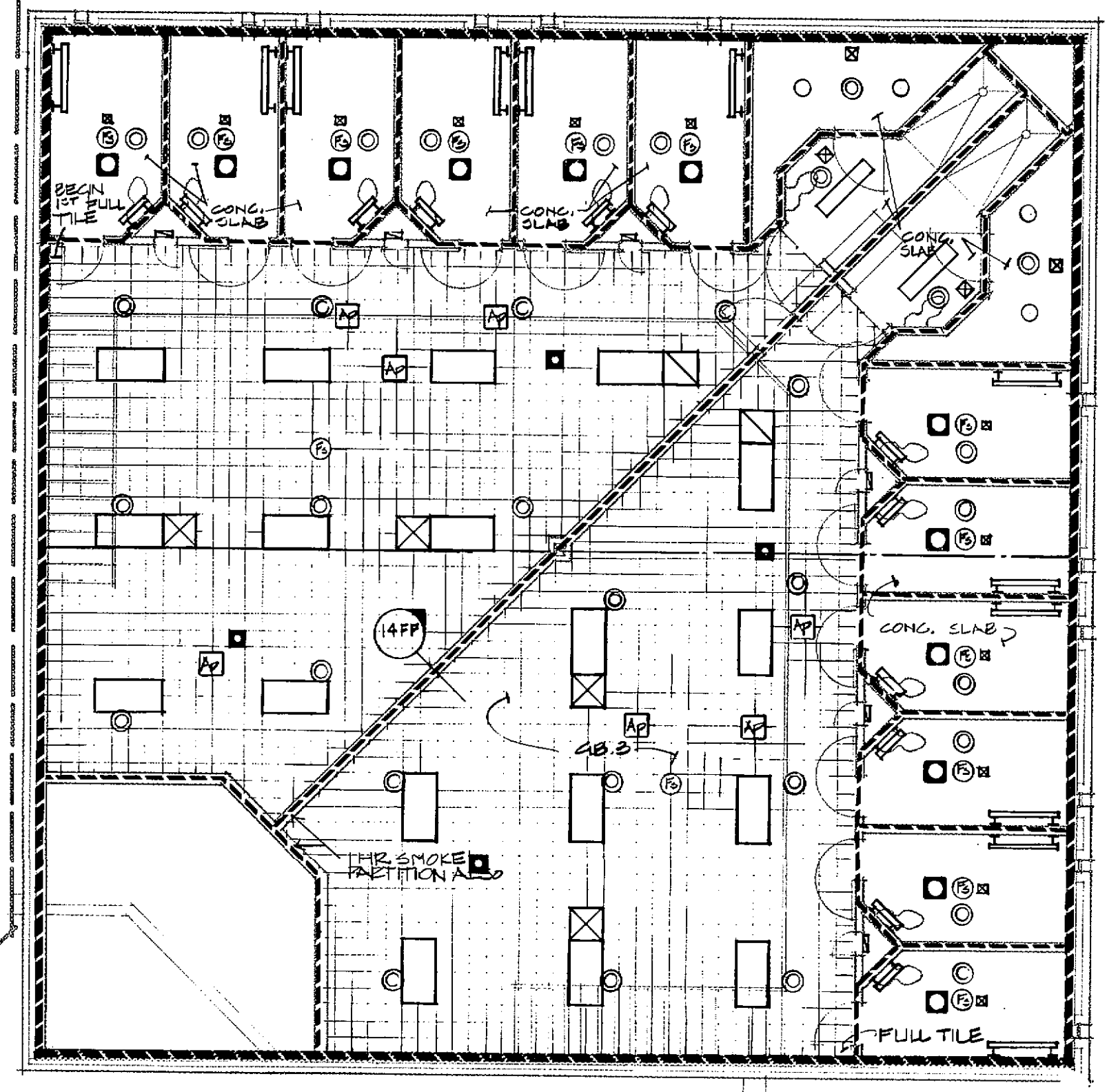
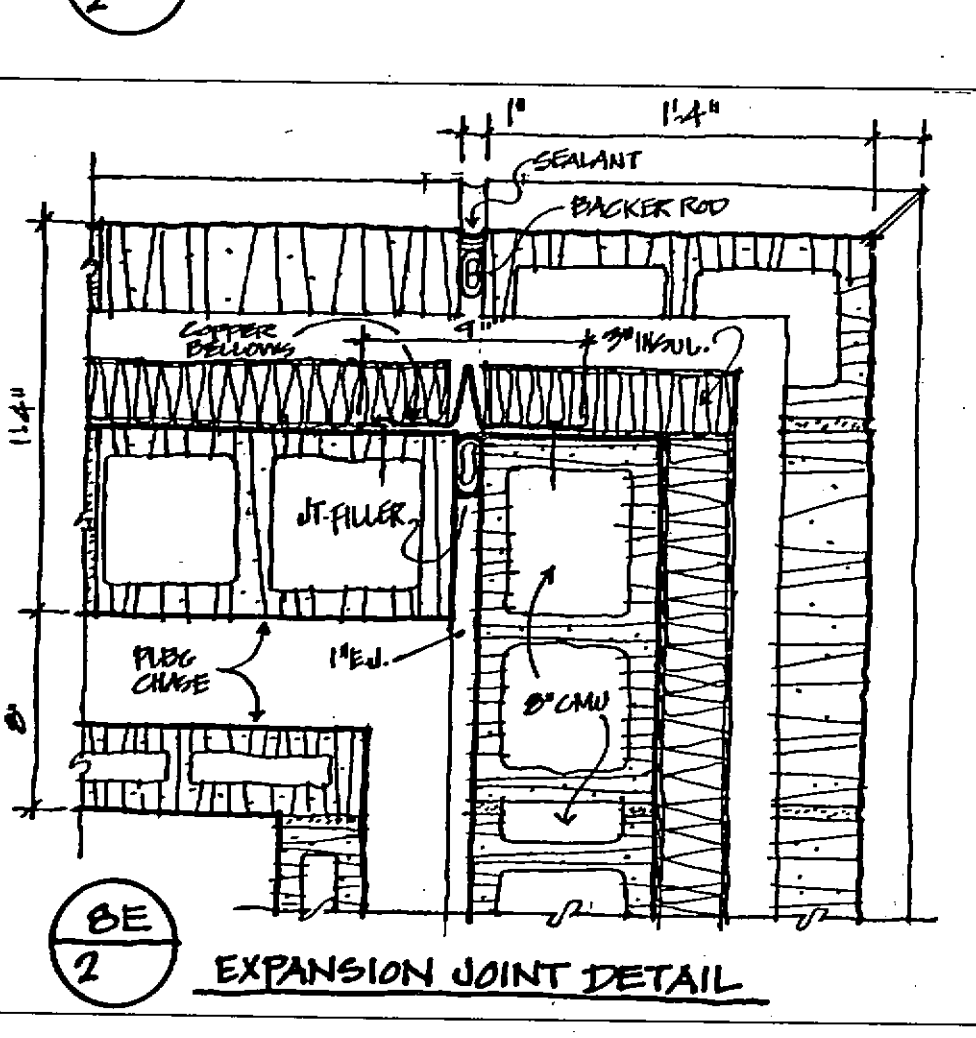
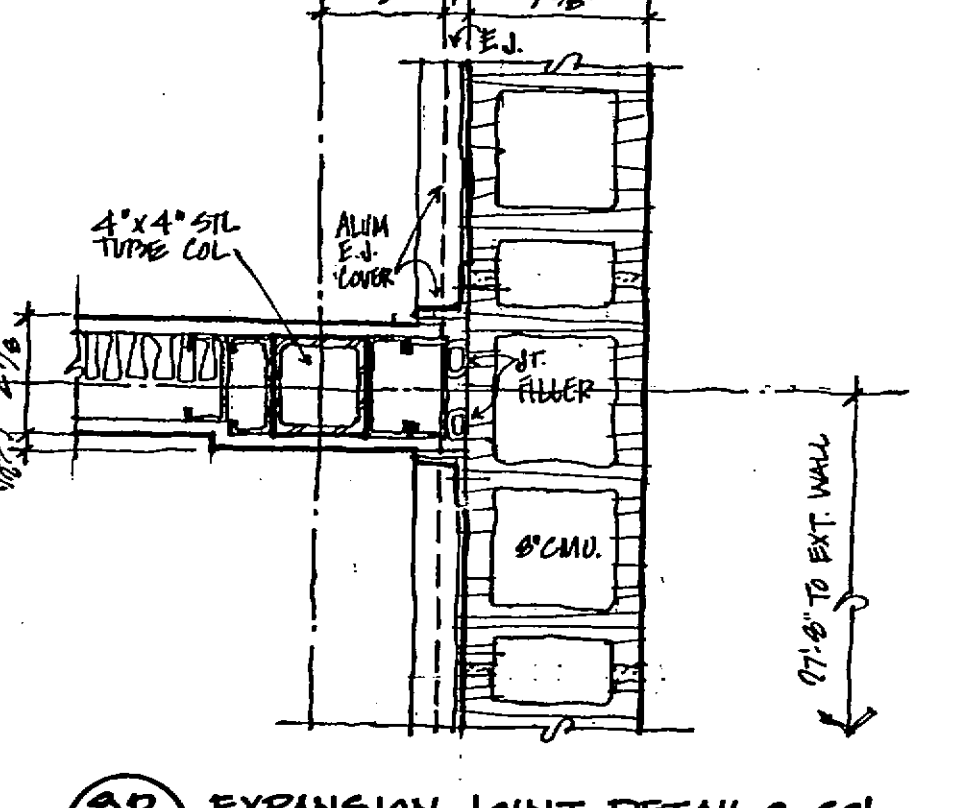
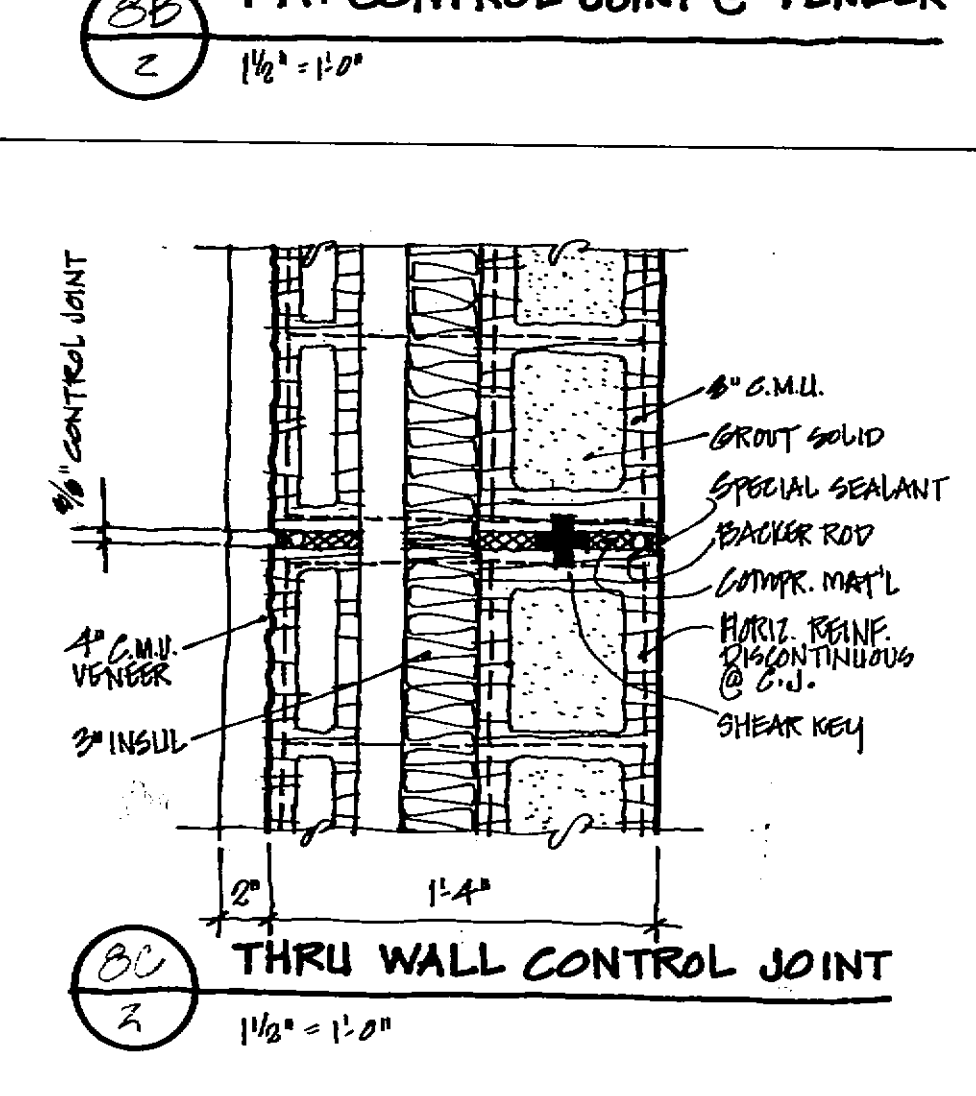
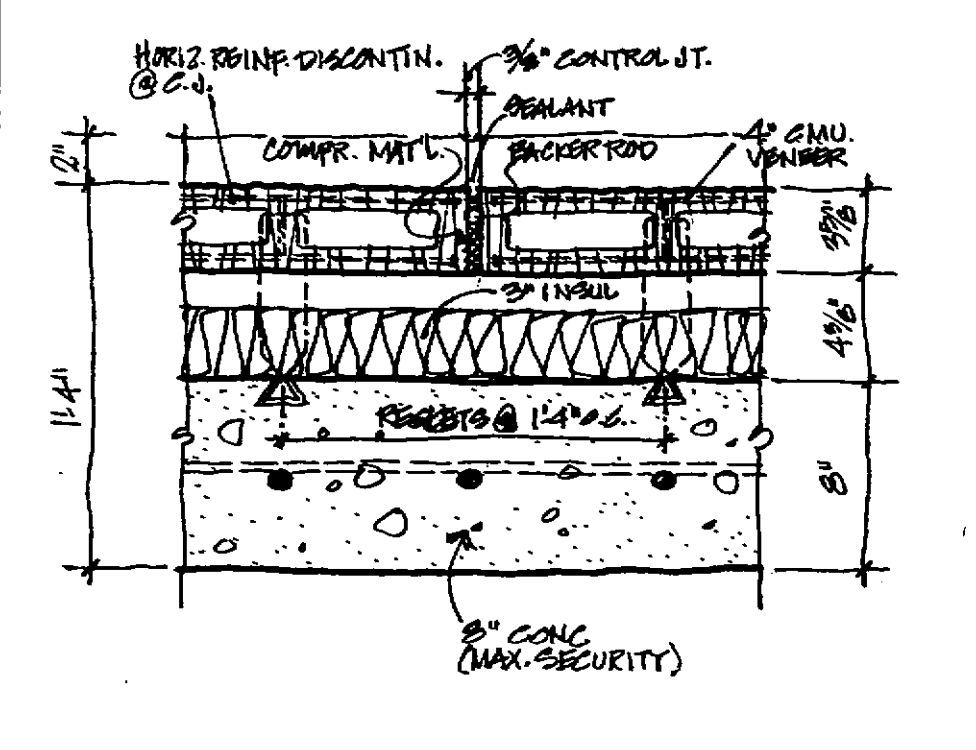
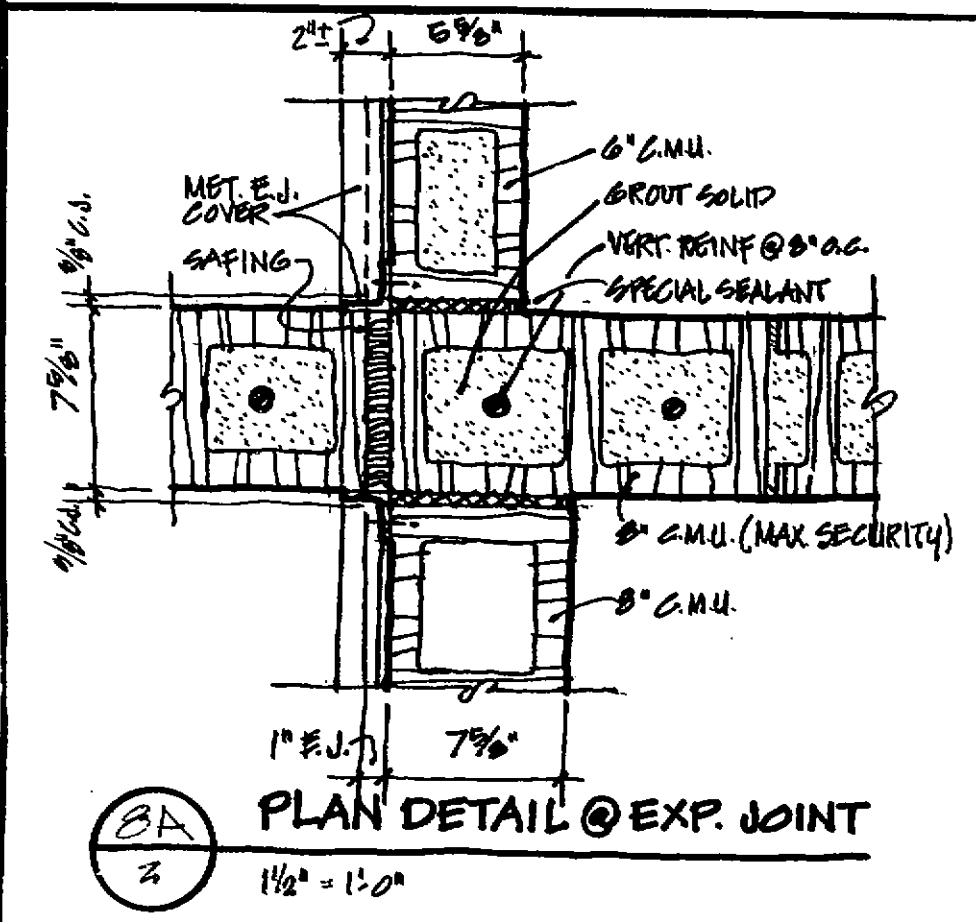
CHECKED BY
 DAVID W. PEARCE

REVISIONS
 NUMBER A-1131

PROJ. NO.
 84-07.1.00

DATE
 MARCH 22, 1985

DRAWING NO.
 7



REFLECTED CEILING PLAN/MEZZANINE

WALL TYPE LEGEND

MAXIMUM SECURITY WALL -----
 8" CMU OR CONCRETE UNLESS NOTED OTHERWISE
 DOWELS AT 8" O.C. (H & V)
 GROUT ALL CELLS

MEDIUM SECURITY WALL - - - - -
 8" CMU UNLESS ALSO A BEARING WALL
 DOWELS AT 2'-0" O.C.
 REINF AT 1'-4" O.C. (H ONLY)
 GROUT ALL CELLS

3 HOUR OCCUPANCY SEPARATION WALL
 8" CMU EXCEPT WHERE 12" CMU AT E.O.C.
 DOWELS AT 2'-0" O.C.
 REINF AT 1'-4" O.C. (H ONLY)

1 HOUR SMOKE SEPARATION WALL
 8" OR 8" CMU AS NOTED
 DOWELS AT 2'-0" O.C.
 REINF # 1'-4" O.C. (H ONLY)

1 HOUR RATED WALL (CORRIDOR, ETC.)
 8" OR 8" CMU AS NOTED
 DOWELS AT 2'-0" O.C.
 REINF AT 1'-4" O.C. (H ONLY)

BEARING WALL
 8" CMU UNLESS NOTED OTHERWISE
 DOWELS AT 2'-0" O.C.
 REINF AT 1'-4" O.C. (H ONLY)

BEAM CENTER LINE -----

SYMBOLS LEGEND

FLUORESCENT FIXTURE or

STRIP FLUORESCENT FIXTURE

INCANDESCENT OR HID FIXTURE

EXIT LIGHT

UNIT HEATER

SPEAKER

YARD SPEAKER

CAMERA/MONITOR

SUPPLY AIR GRILLE

RETURN AIR GRILLE

EXHAUST FAN GRILLE

SMOKE DETECTOR

SPRINKLER HEAD

SIDEWALL SPRINKLER HEAD

ACCESS PANEL

FRANKLIN COUNTY ADULT JAIL
 UNION, MISSOURI

PEARCE CORPORATION

One Mercantile Center
 Saint Louis, Missouri 63101

Siebold, Sydow & Elfanbaum Inc.
 Structural Engineers

Colton/Lester/Niederhorn Associates, Inc.
 Mechanical & Electrical Engineers

Walker McGough Foltz Lyster, P.S.
 Security Consultants

DAVID W. PEARCE
 REGISTERED ARCHITECT

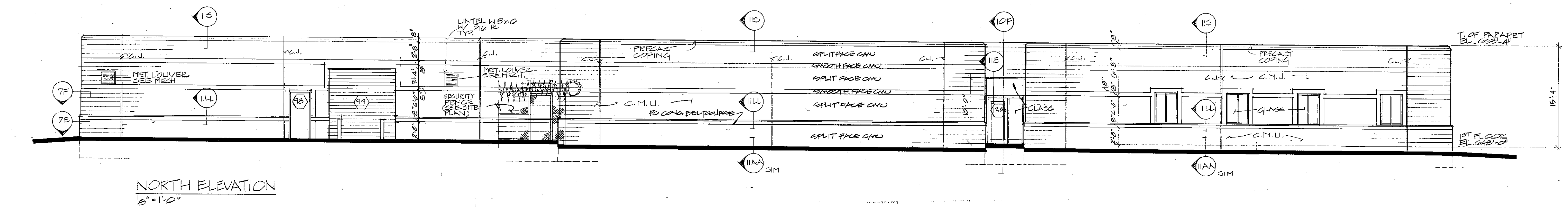
CHECKED BY
 DAVID W. PEARCE
 NUMBER
 A-1131

REVISED

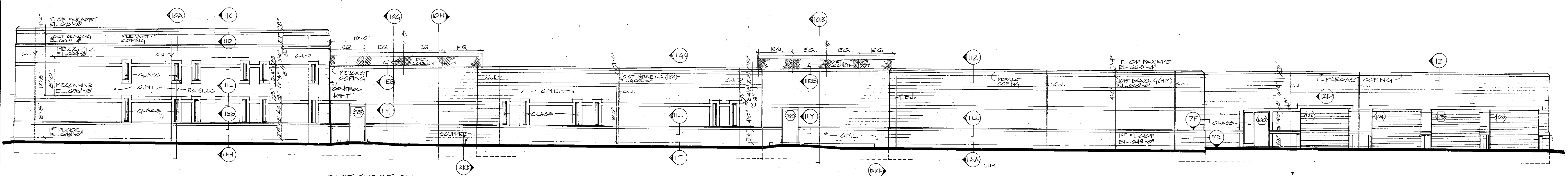
PROJ. NO.
 84-07.1.00

DATE
 11/28/84

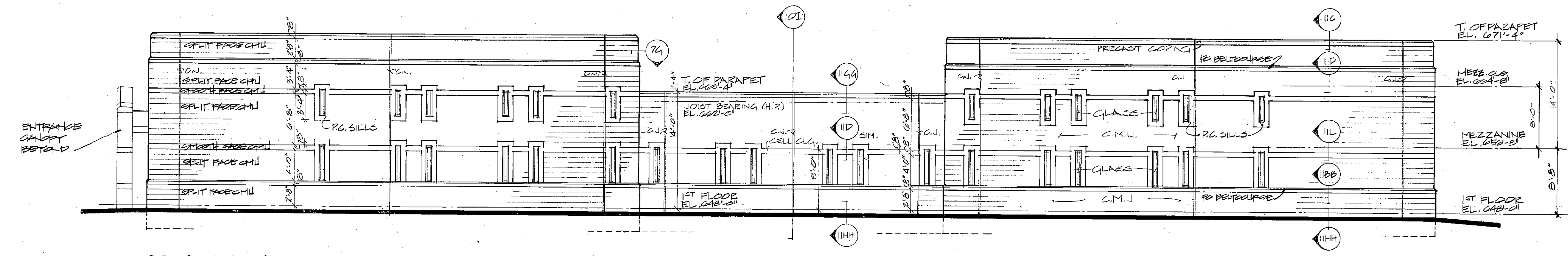
DRAWING NO.
8



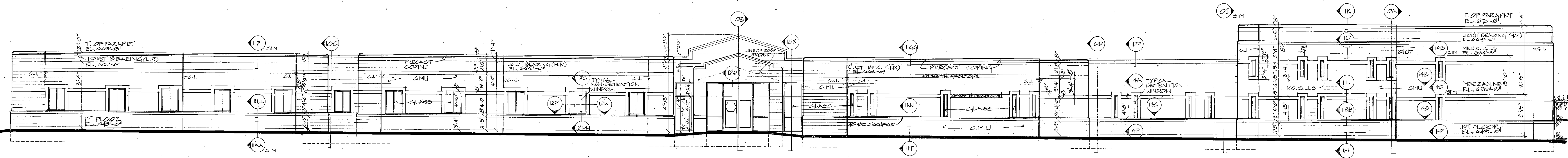
NORTH ELEVATION
1/8" = 1'-0"



EAST ELEVATION
1/8" = 1'-0"



SOUTH ELEVATION
1/8" = 1'-0"



WEST ELEVATION
1/8" = 1'-0"

FRANKLIN COUNTY ADULT JAIL
UNION, MISSOURI

PEARCE CORPORATION
Two Mercantile Center
Saint Louis, Missouri 63101

Siebold, Sydow & Elfenbaum Inc.
Structural Engineers
Cotton/Lester/Niederhorn Associates, Inc.
Mechanical & Electrical Engineers
Walker McGough Foltz Lyera, P.S.
Security Consultants

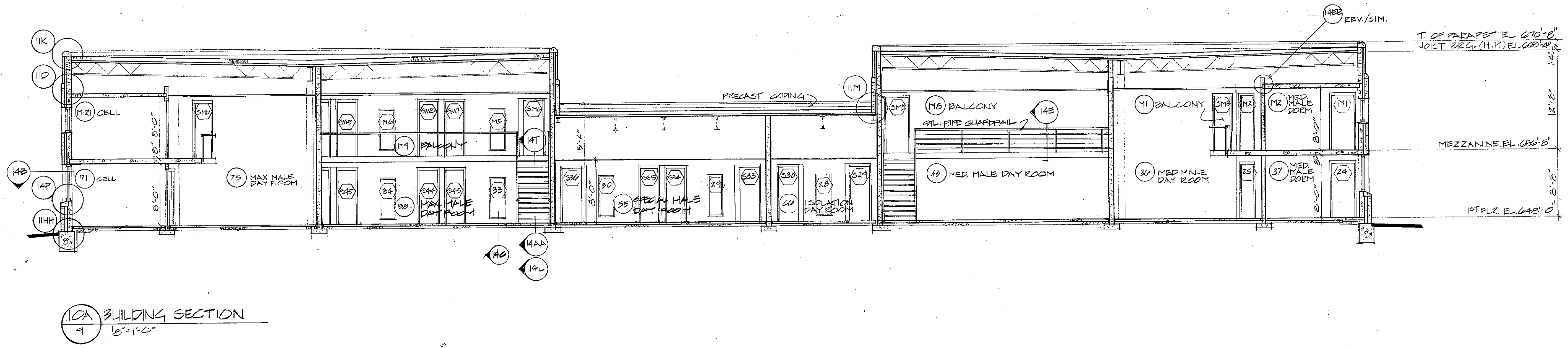
STATE OF MISSOURI
REGISTERED ARCHITECT
DAVID W. PEARCE
NUMBER A-1131

DRAWN BY
BPPS, KEB
CHECKED BY
DAVID W. PEARCE
REVISER
NUMBER A-1131

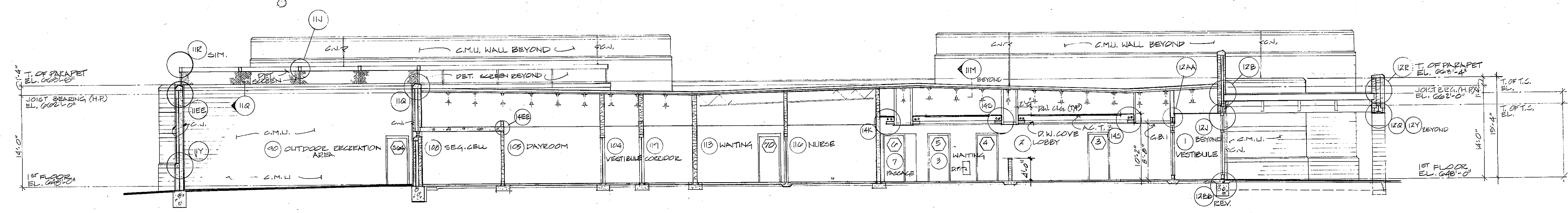
PROJ. NO.
84-07.1.00
DATE
MARCH 22, 1985

9

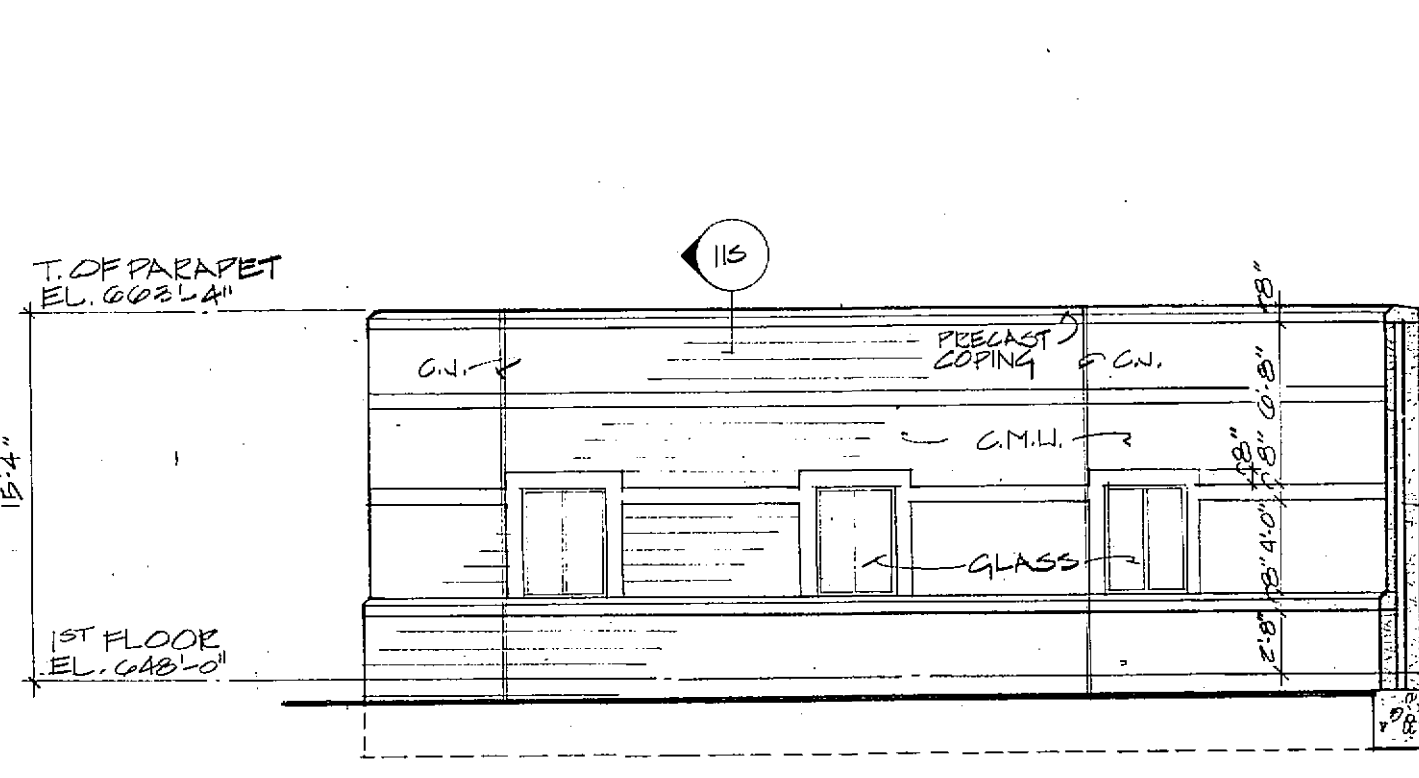
DRAWING NO.



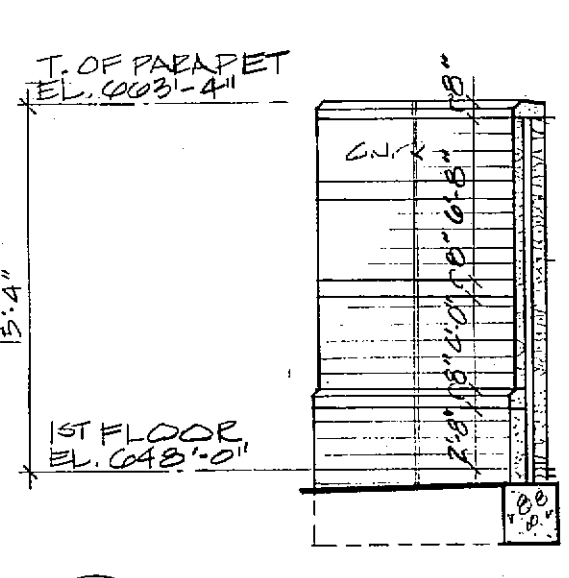
10A BUILDING SECTION
1/8" = 1'-0"



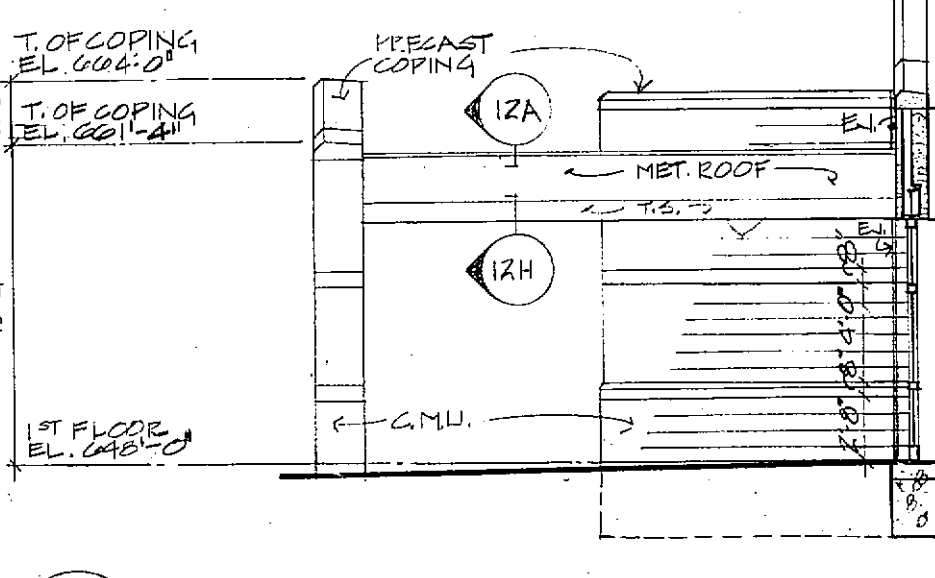
10B BUILDING SECTION
1/8" = 1'-0"



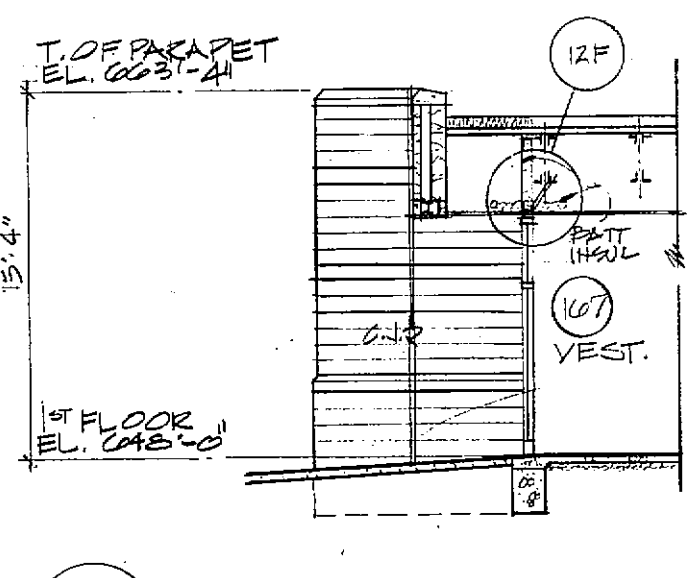
10C ELEVATION
1/8" = 1'-0"



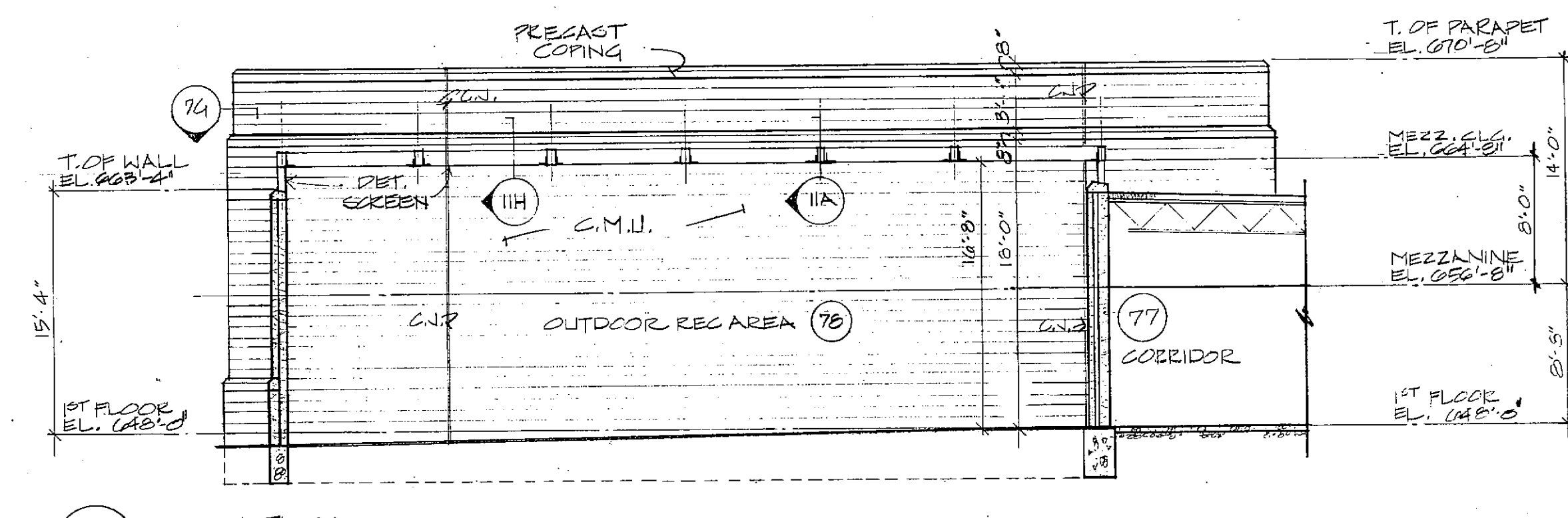
10D ELEVATION
1/8" = 1'-0"



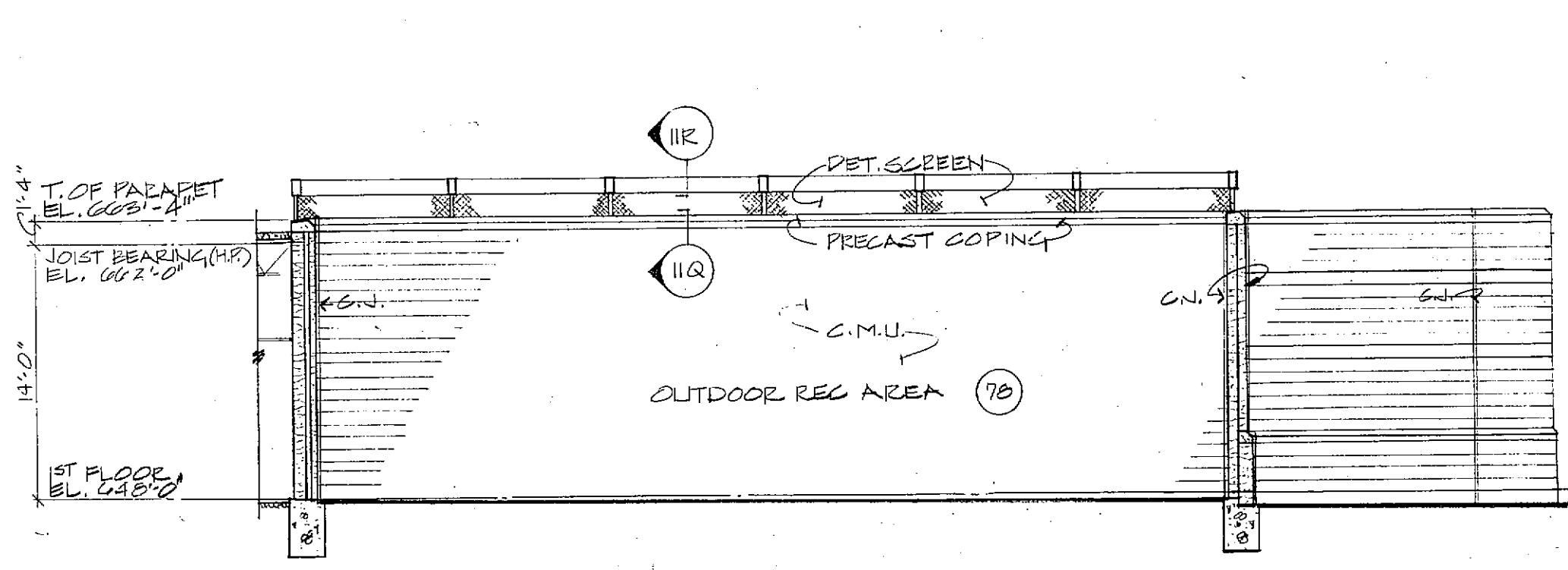
10E ELEVATION
1/8" = 1'-0"



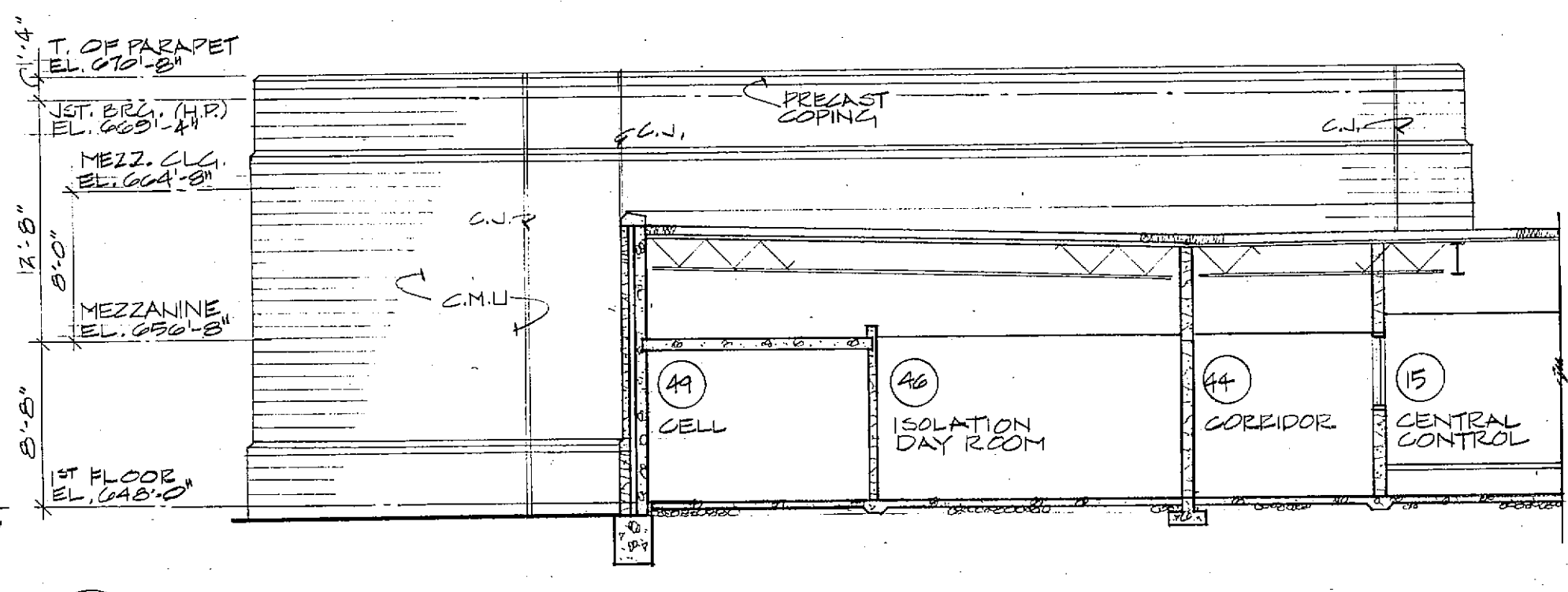
10F ELEVATION
1/8" = 1'-0"



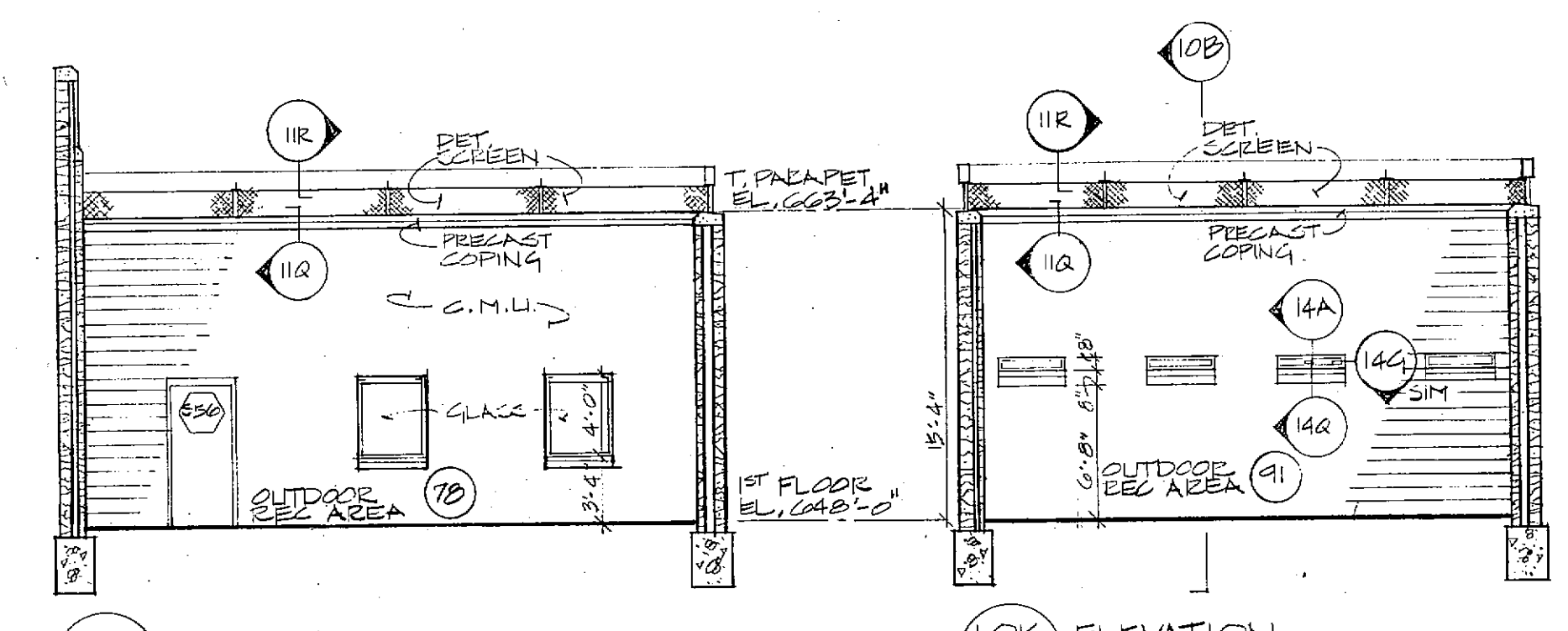
10G ELEVATION
1/8" = 1'-0"



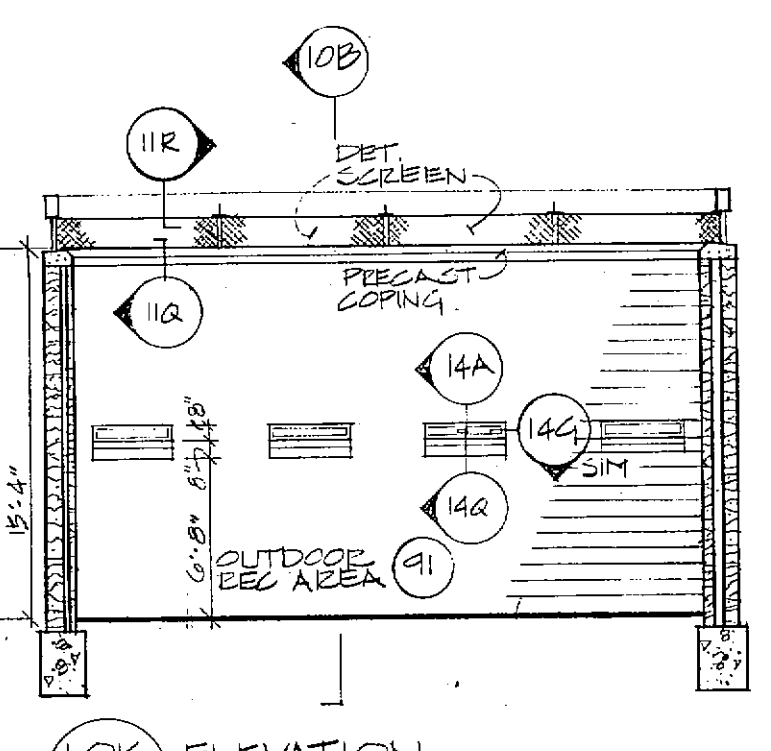
10H ELEVATION
1/8" = 1'-0"



10I ELEVATION
1/8" = 1'-0"



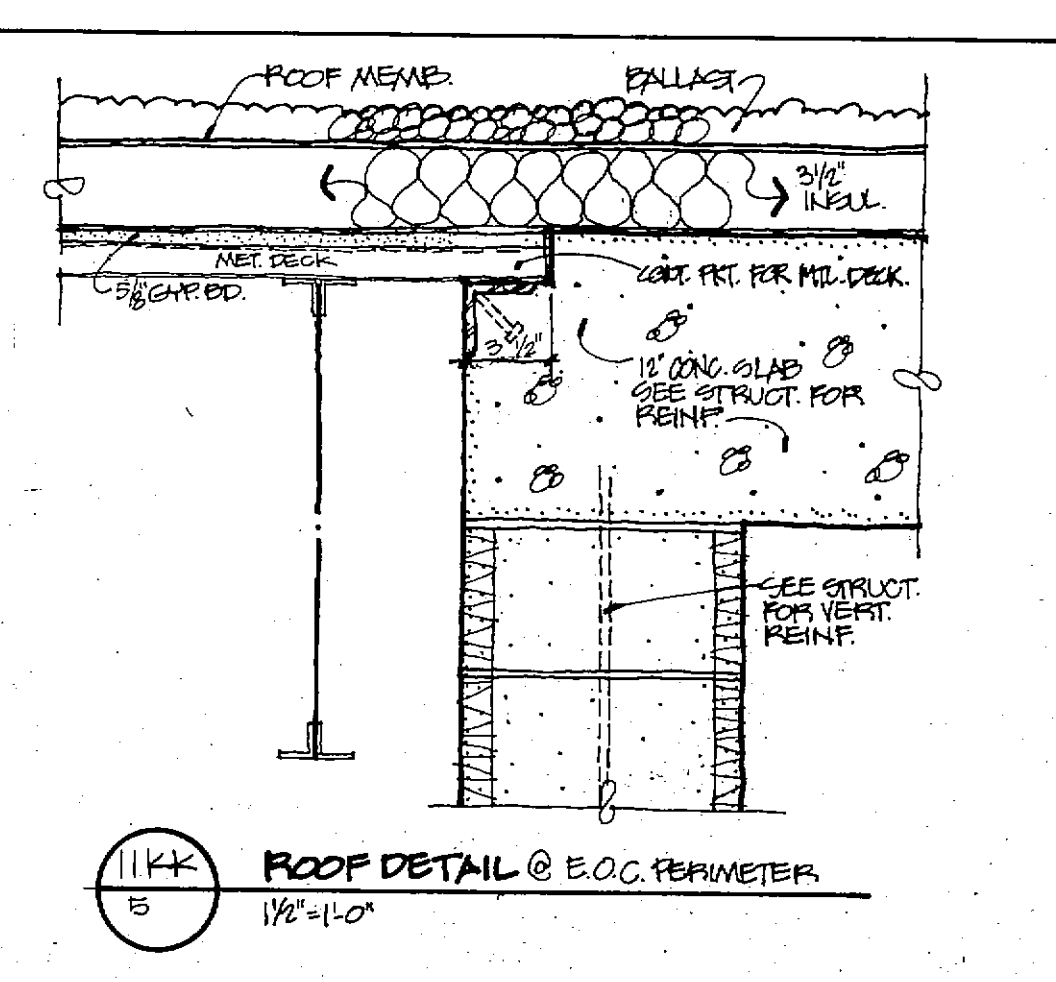
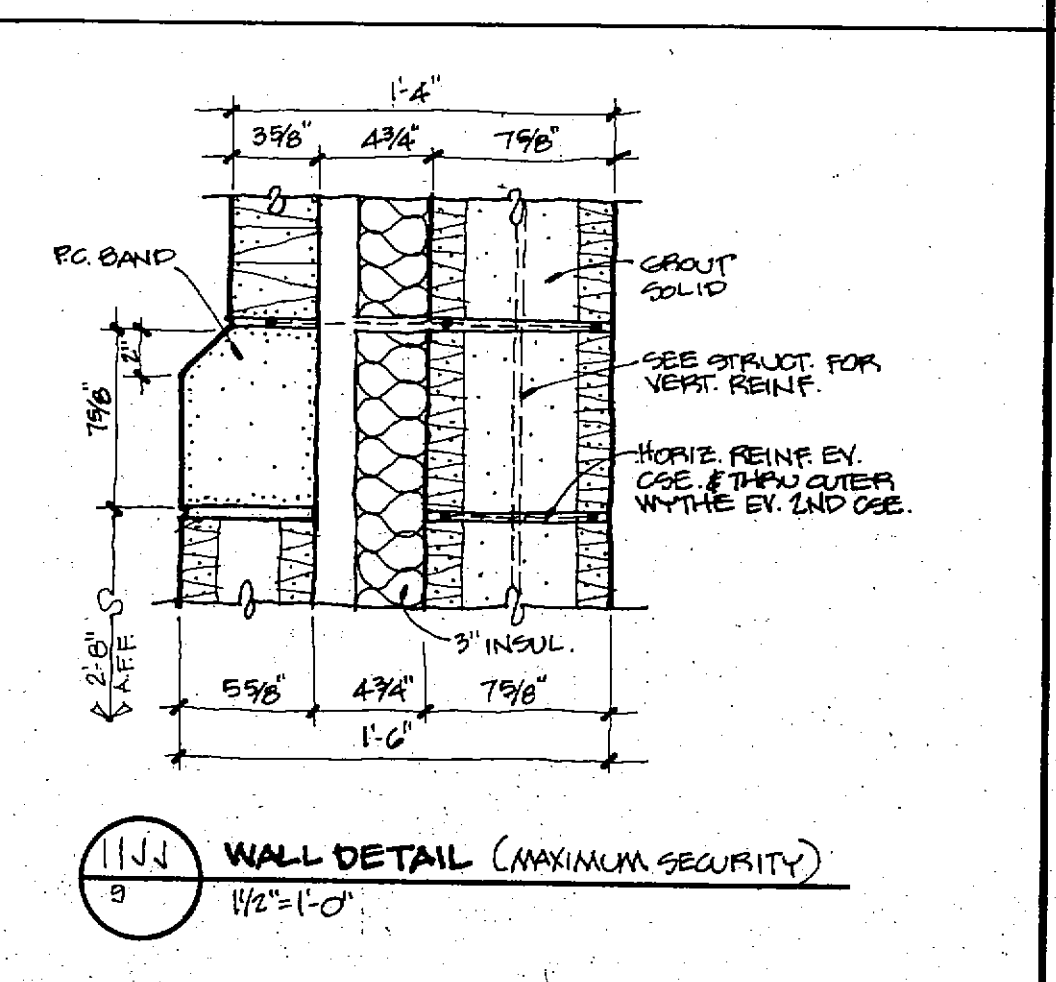
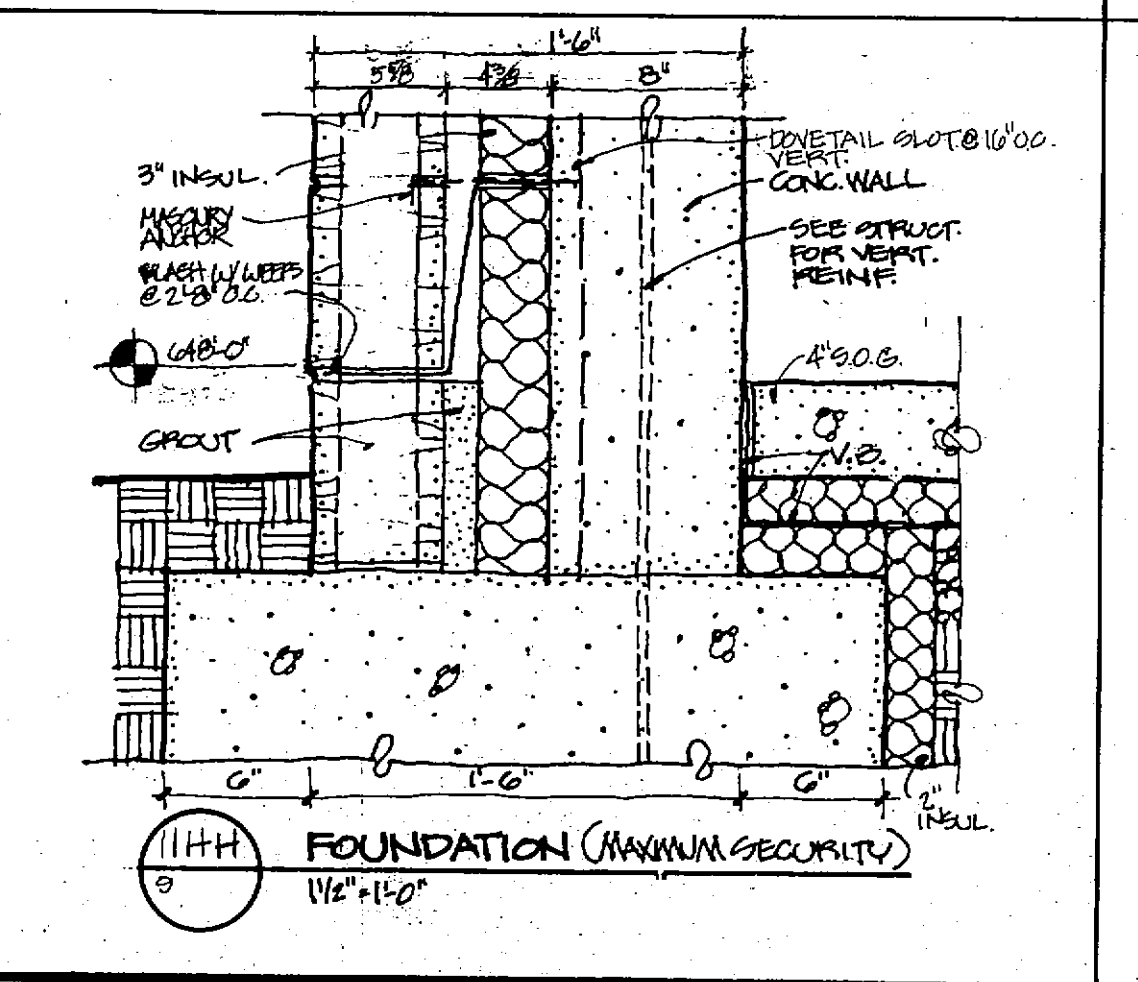
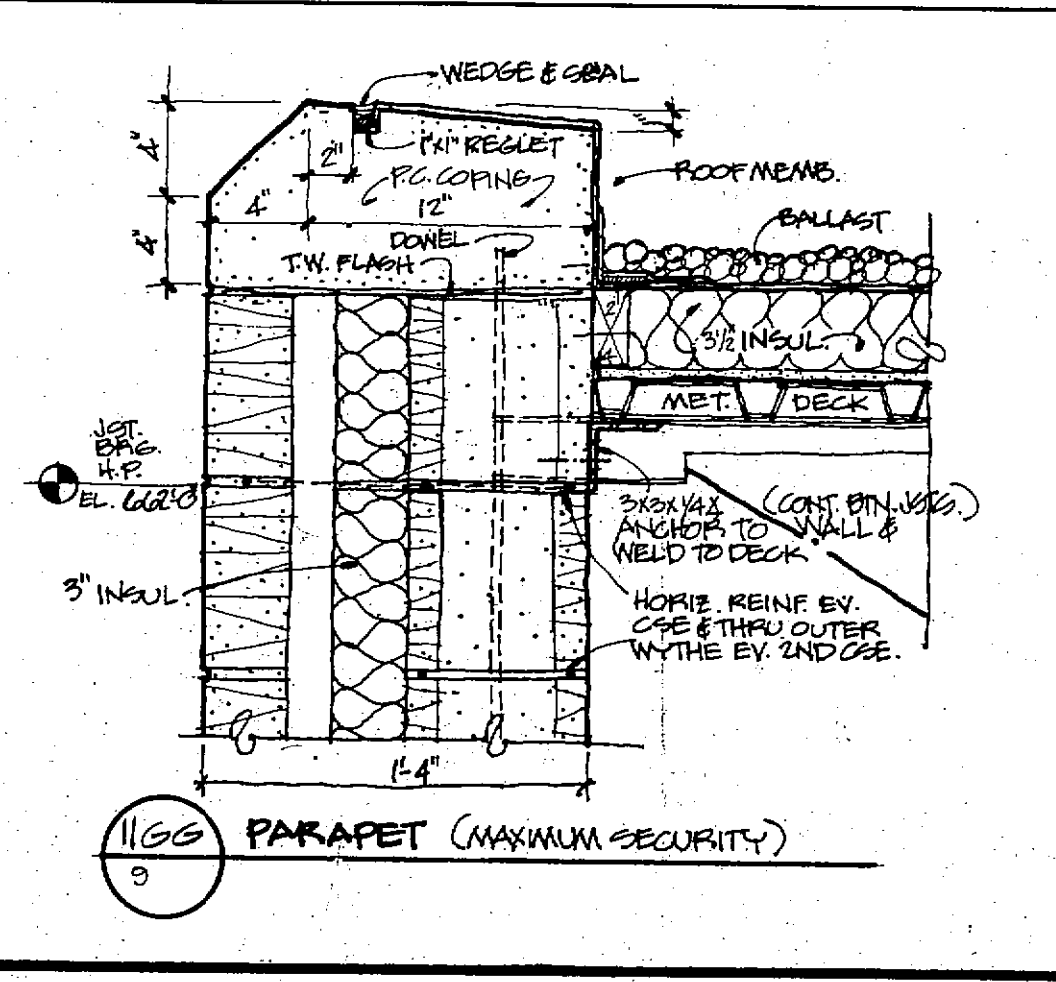
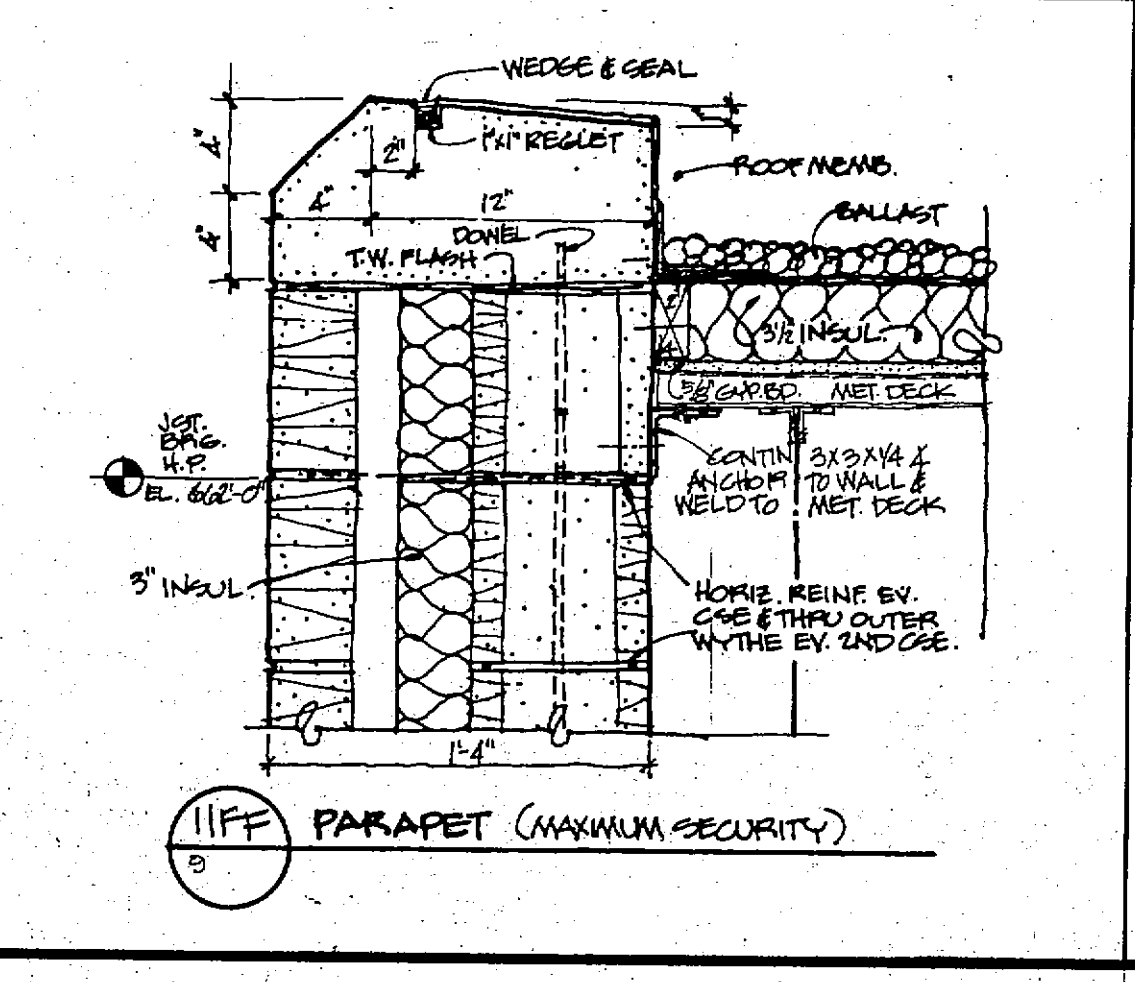
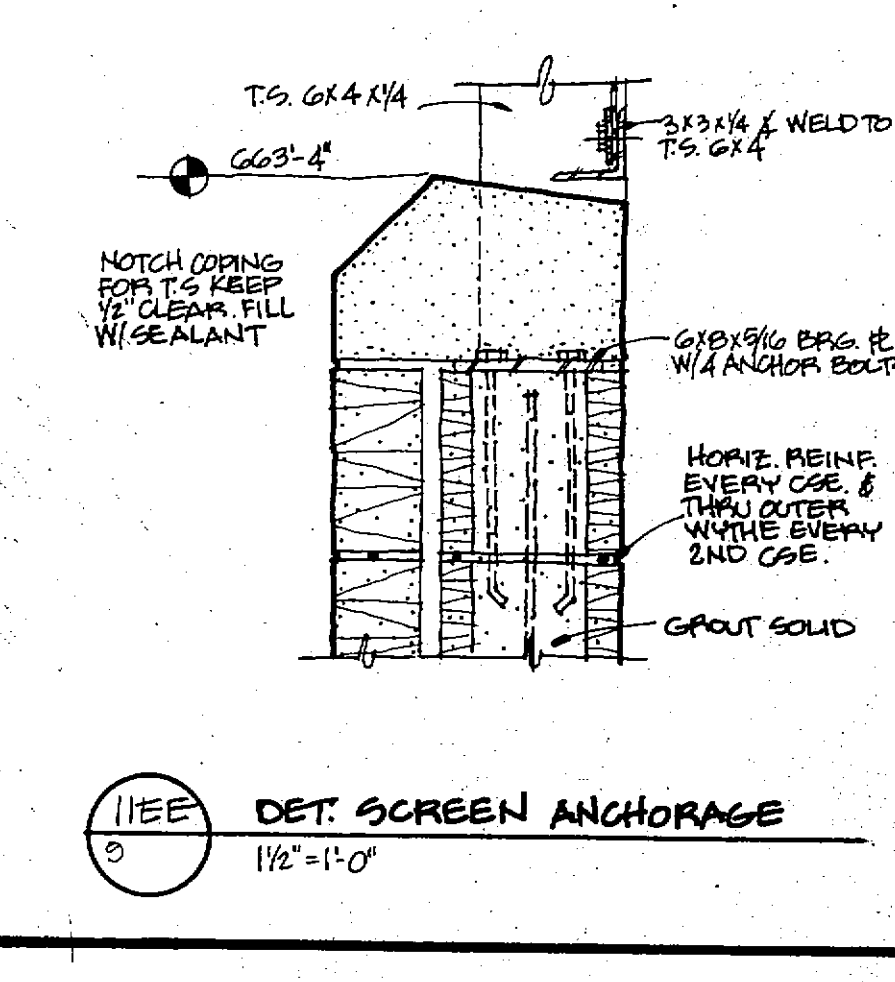
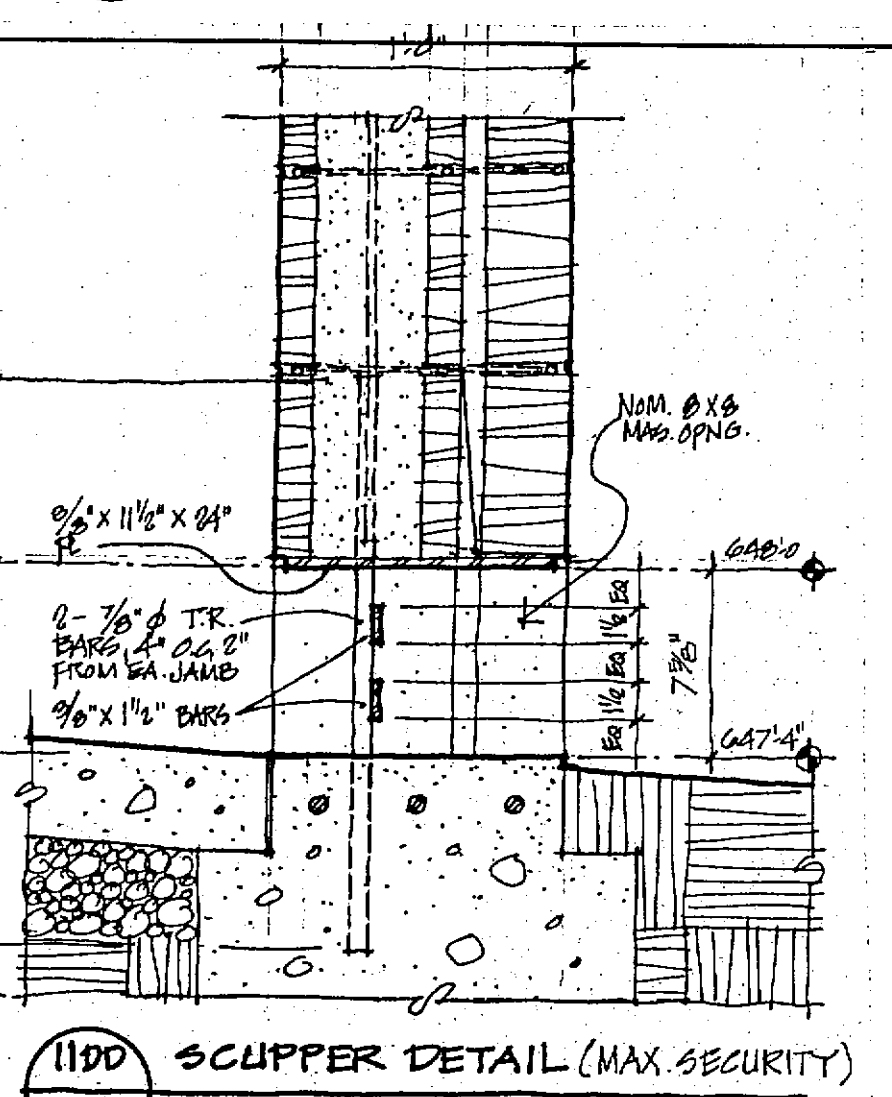
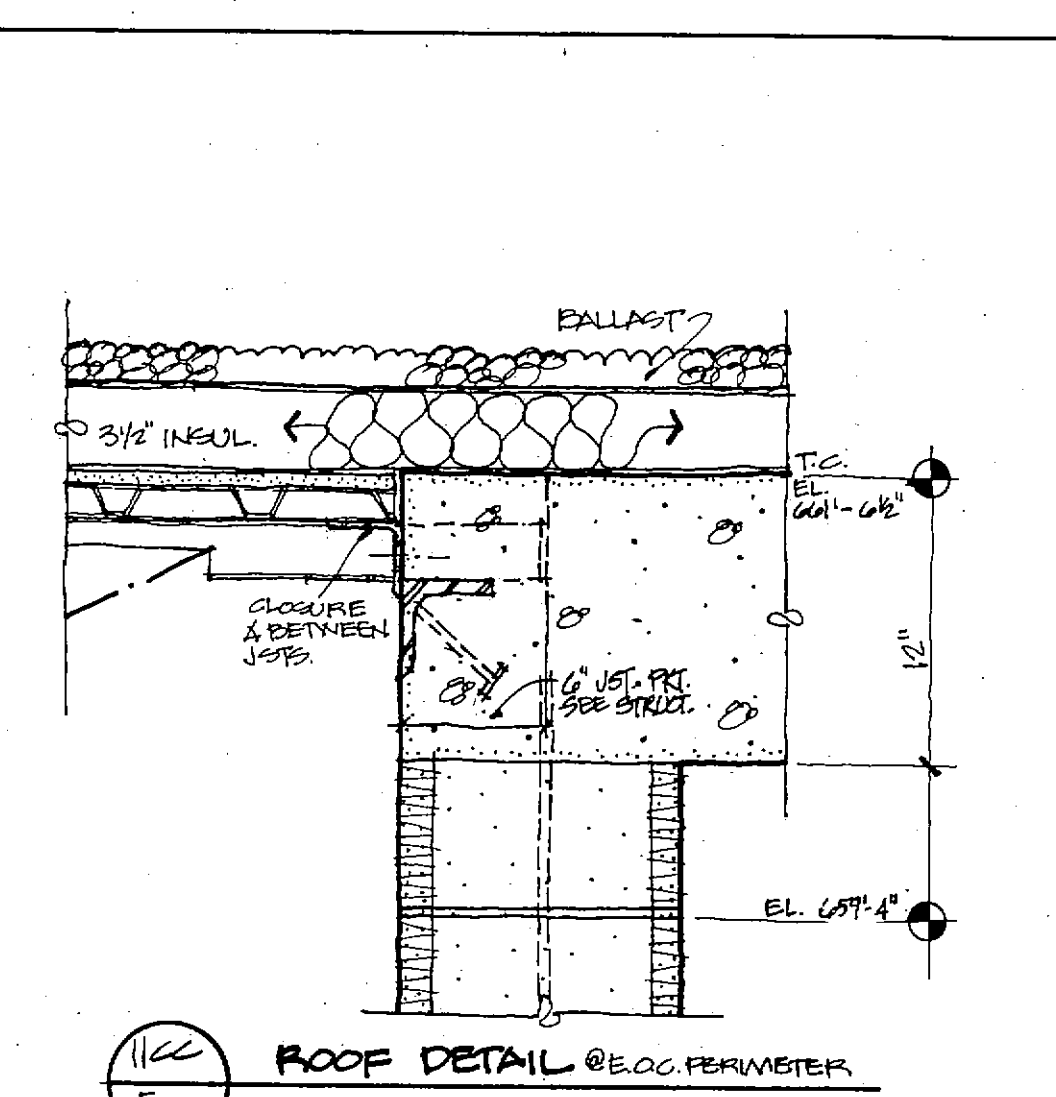
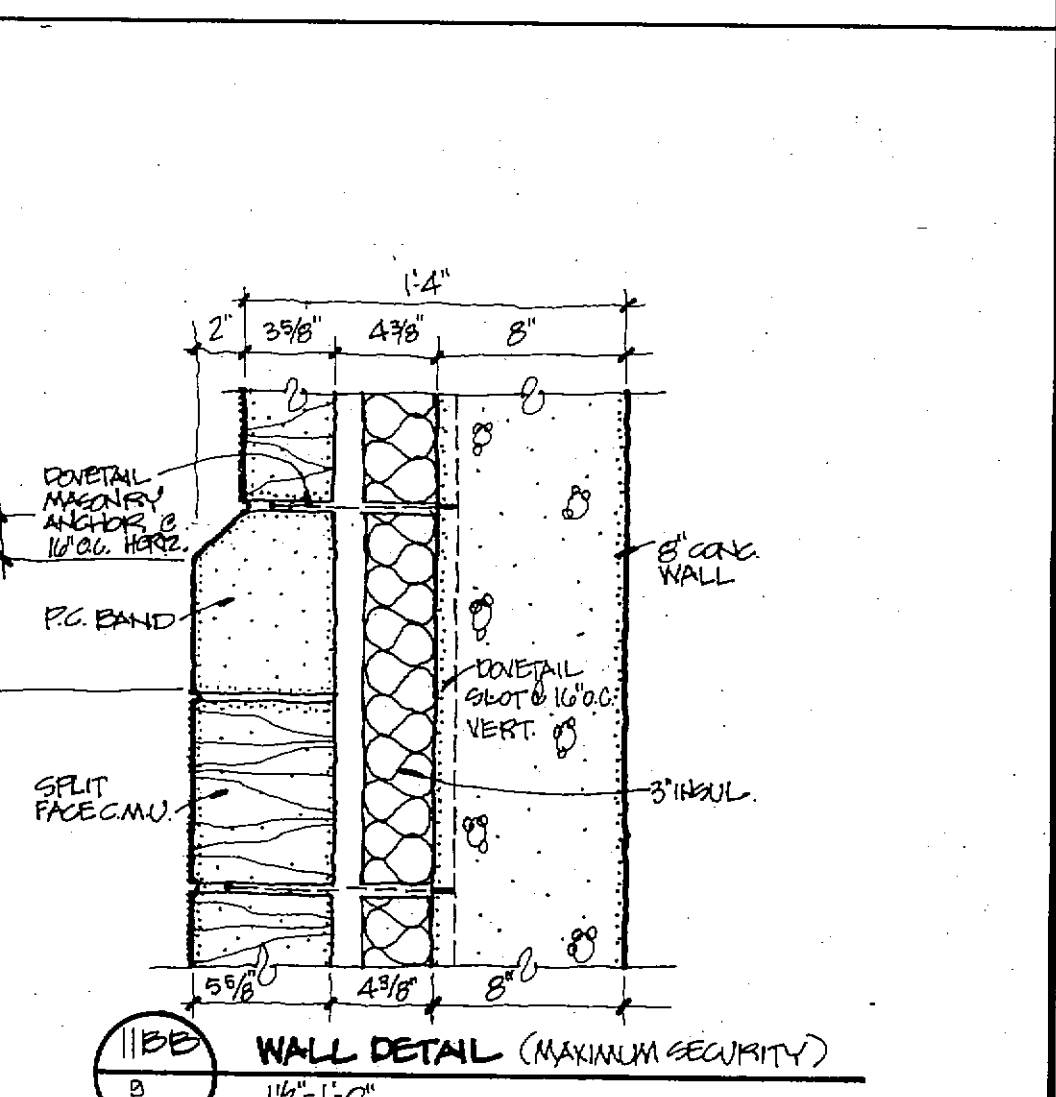
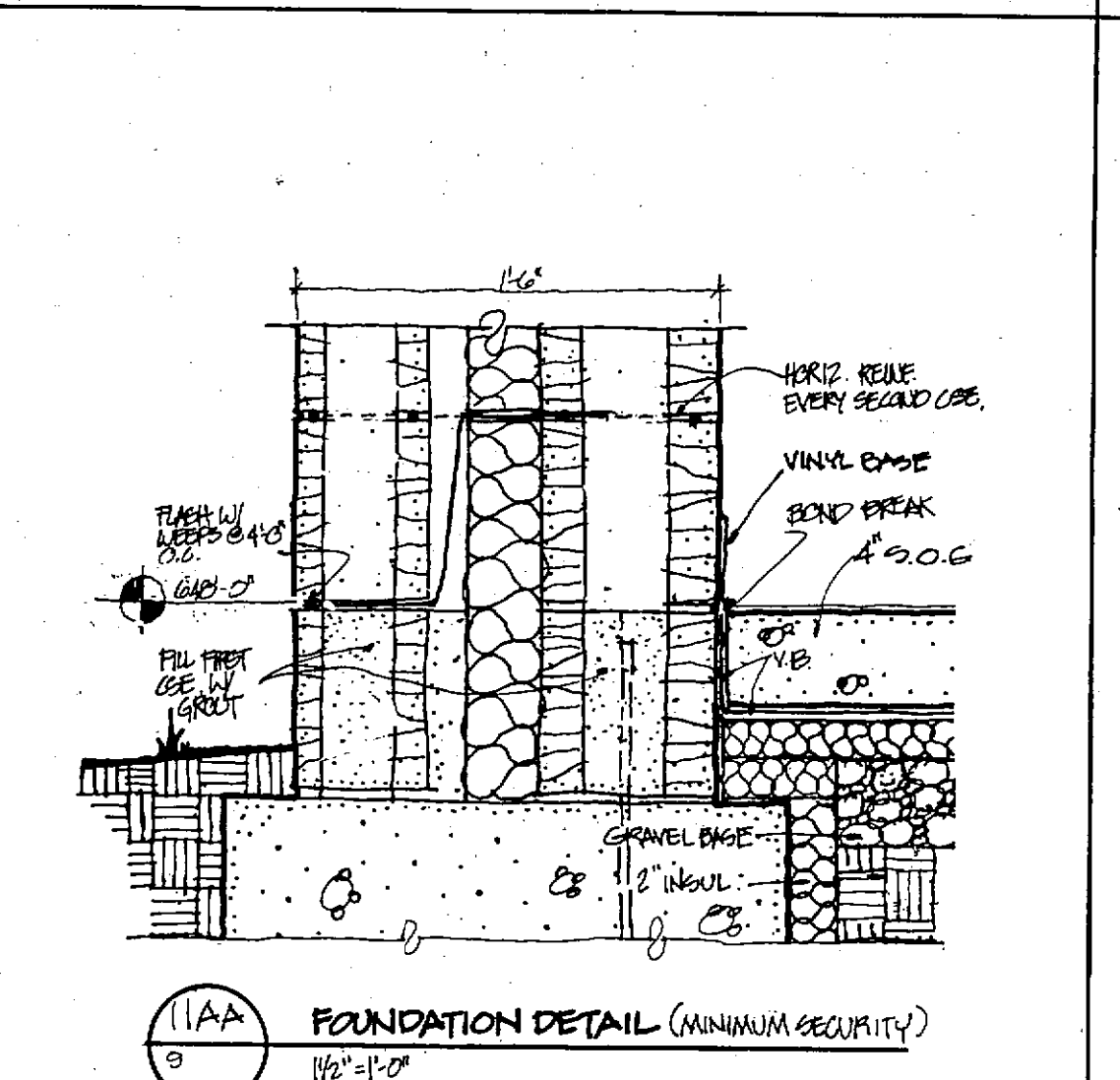
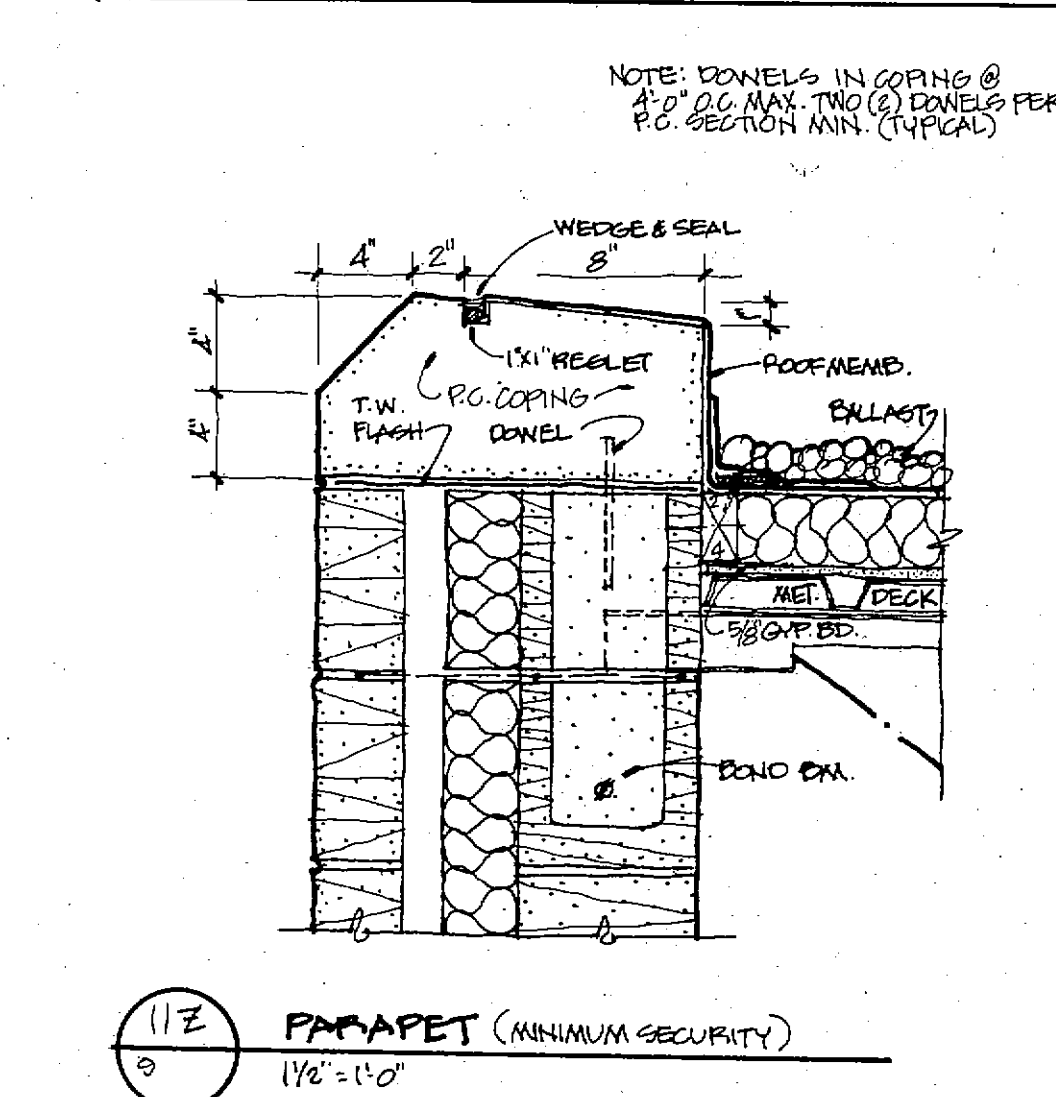
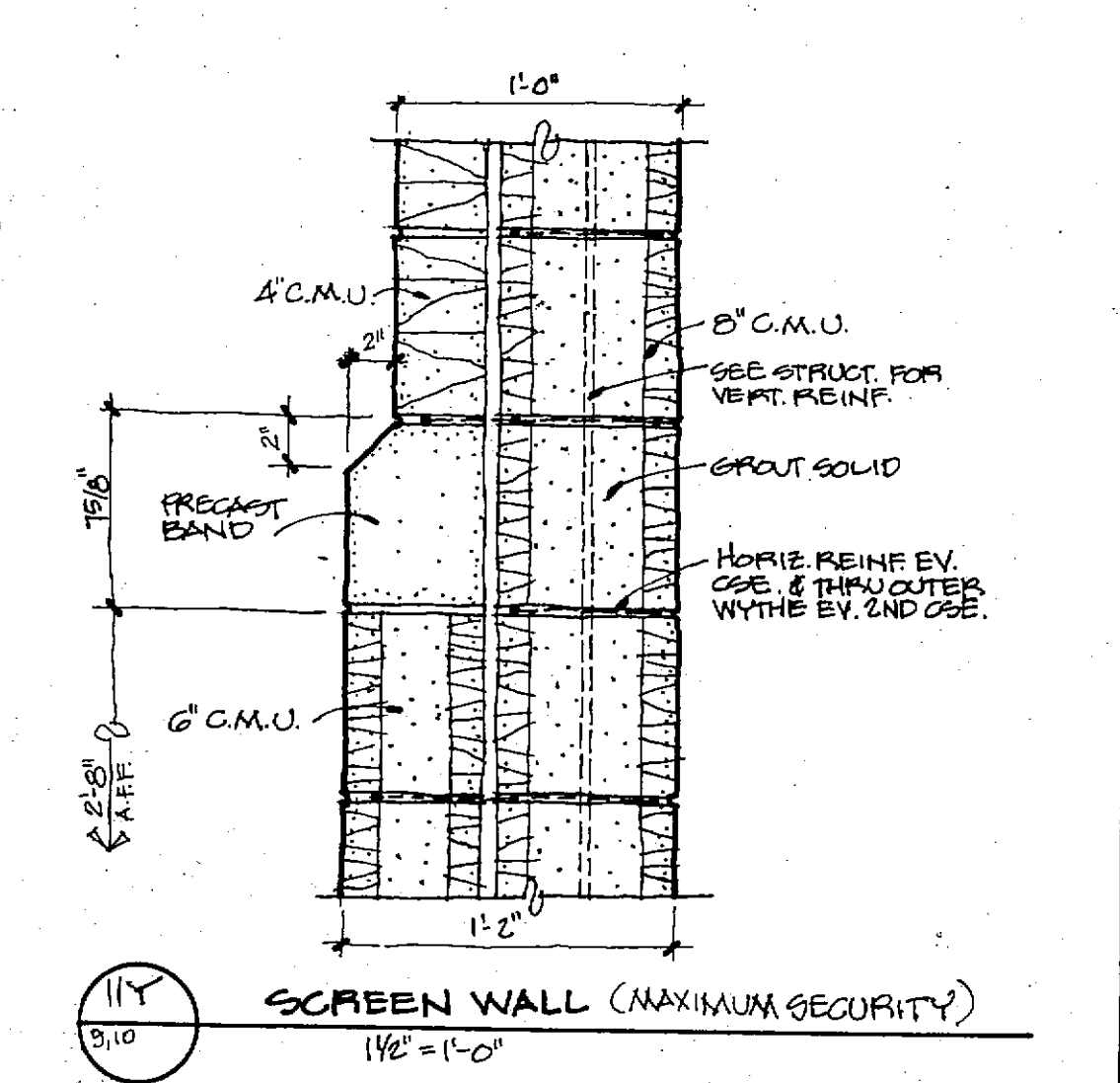
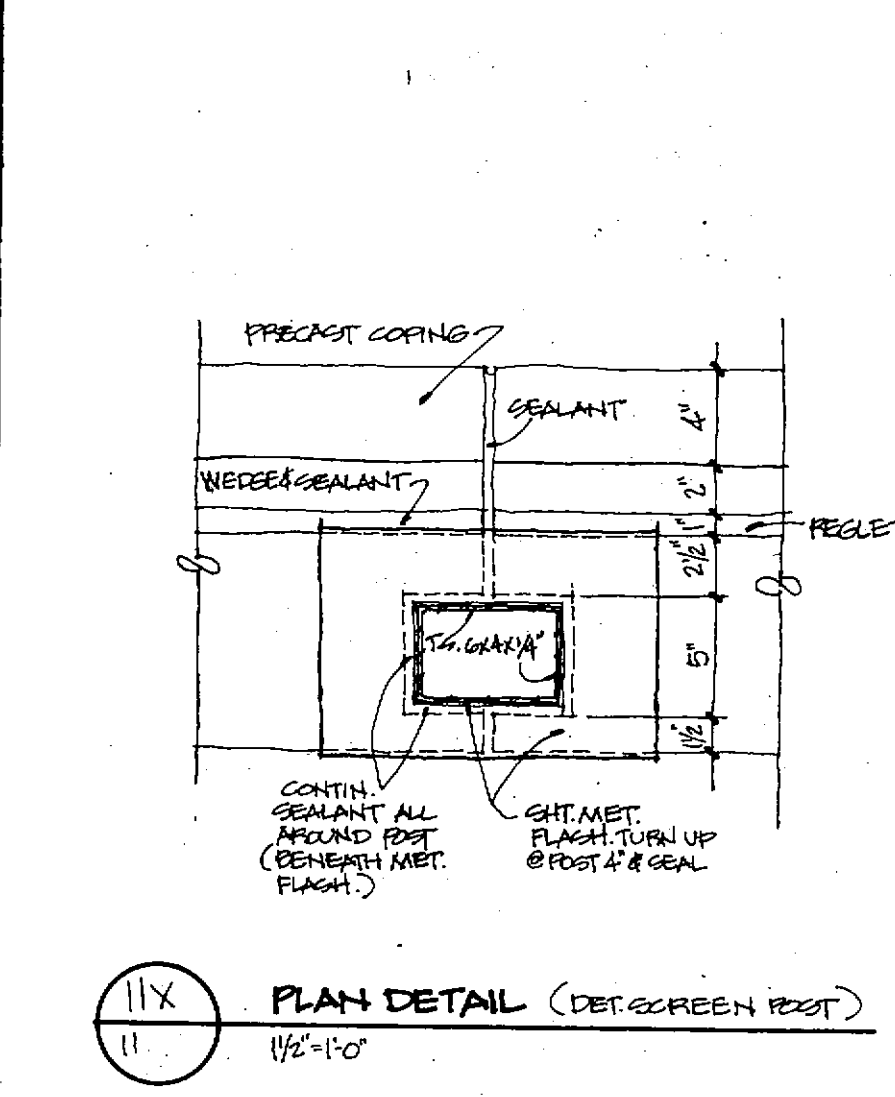
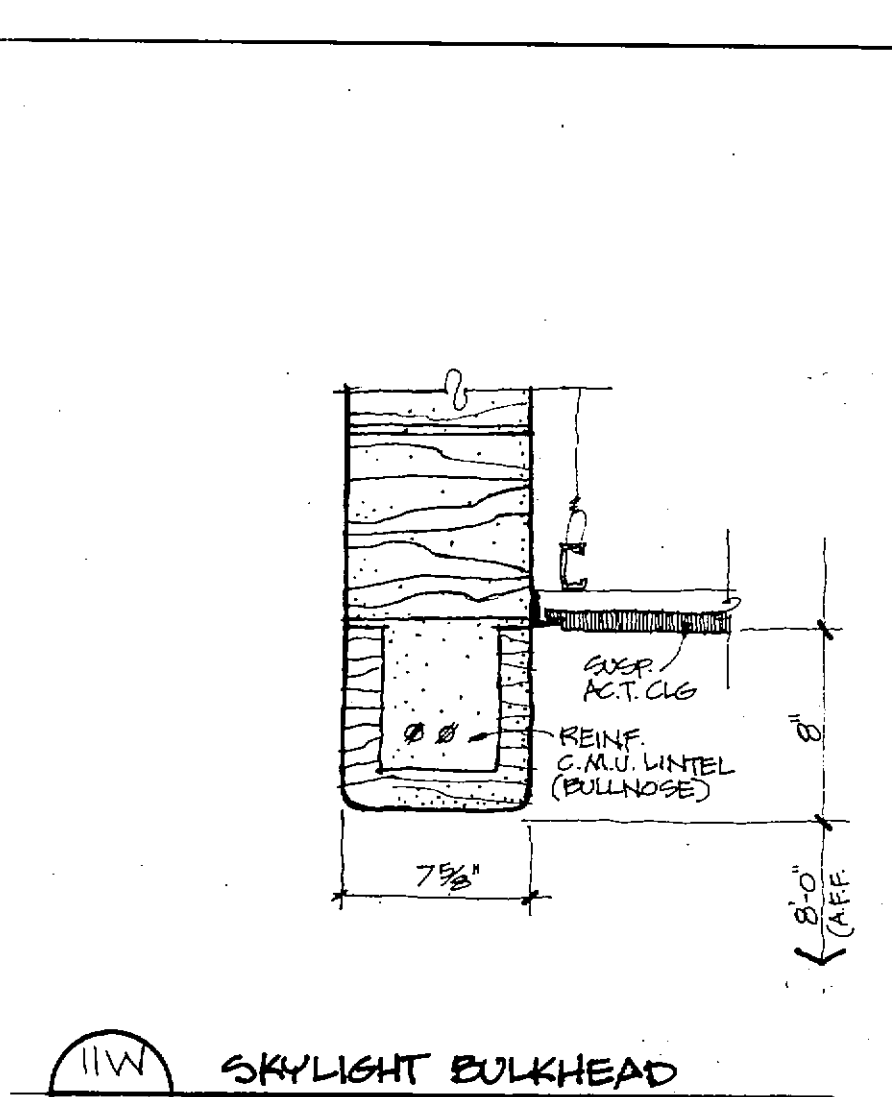
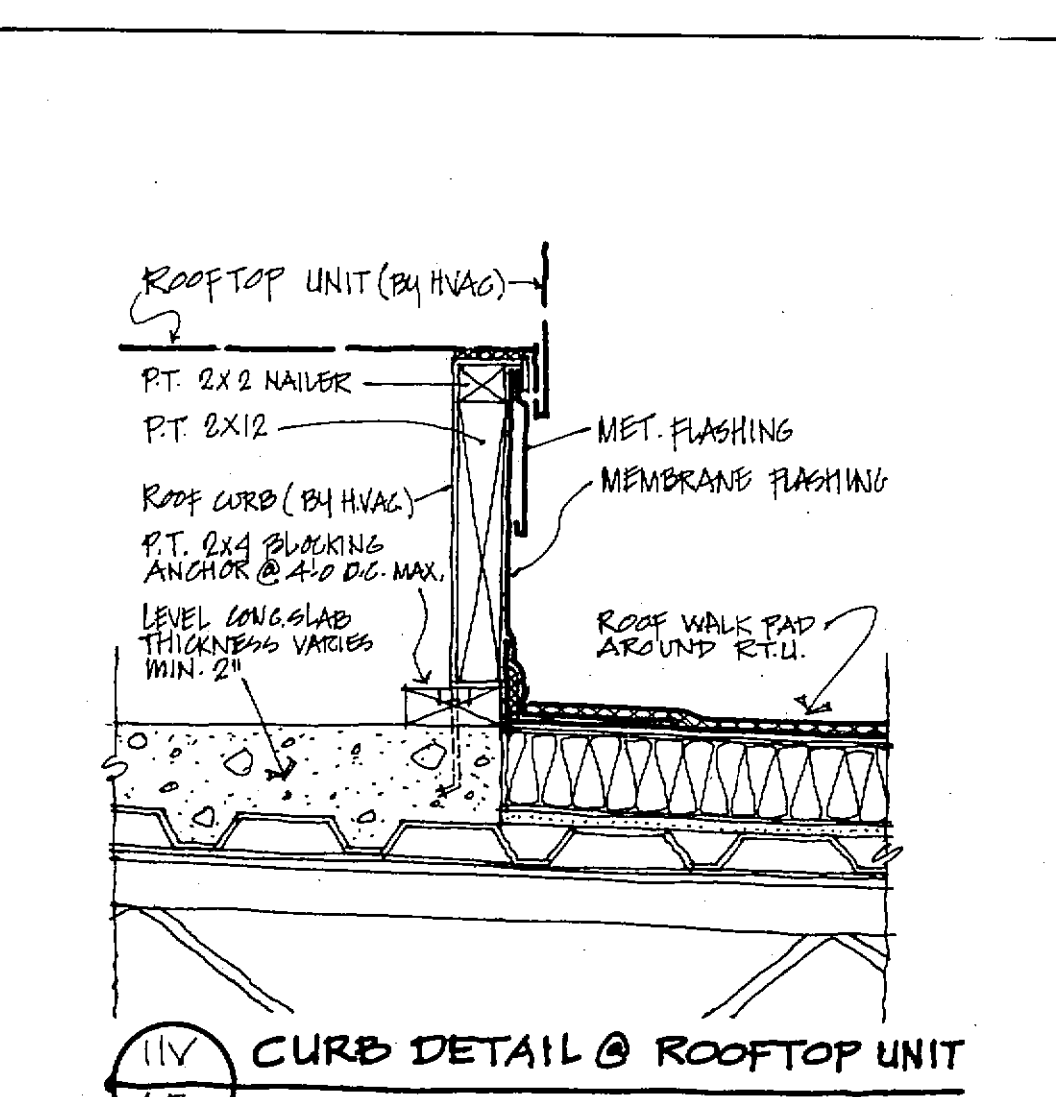
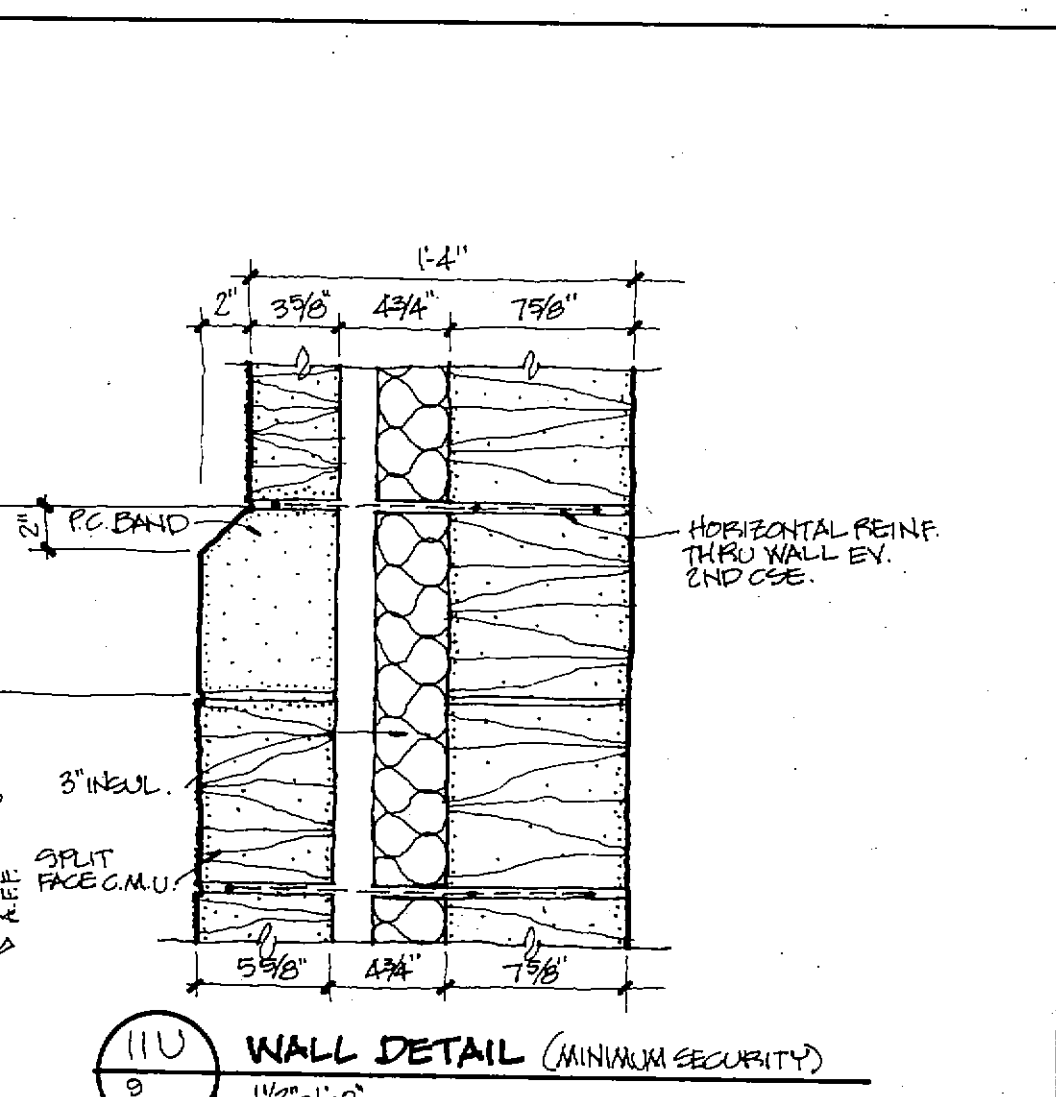
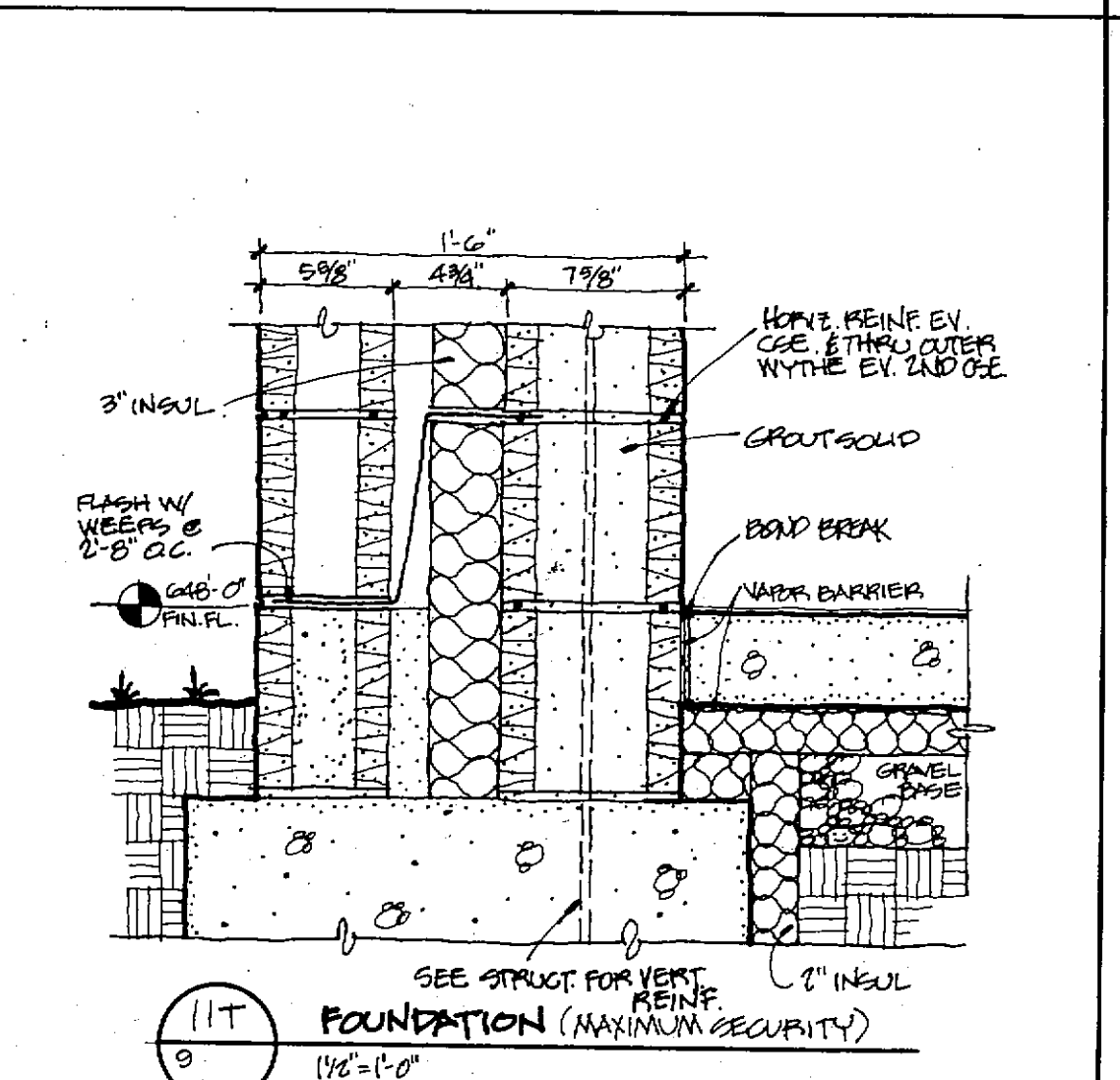
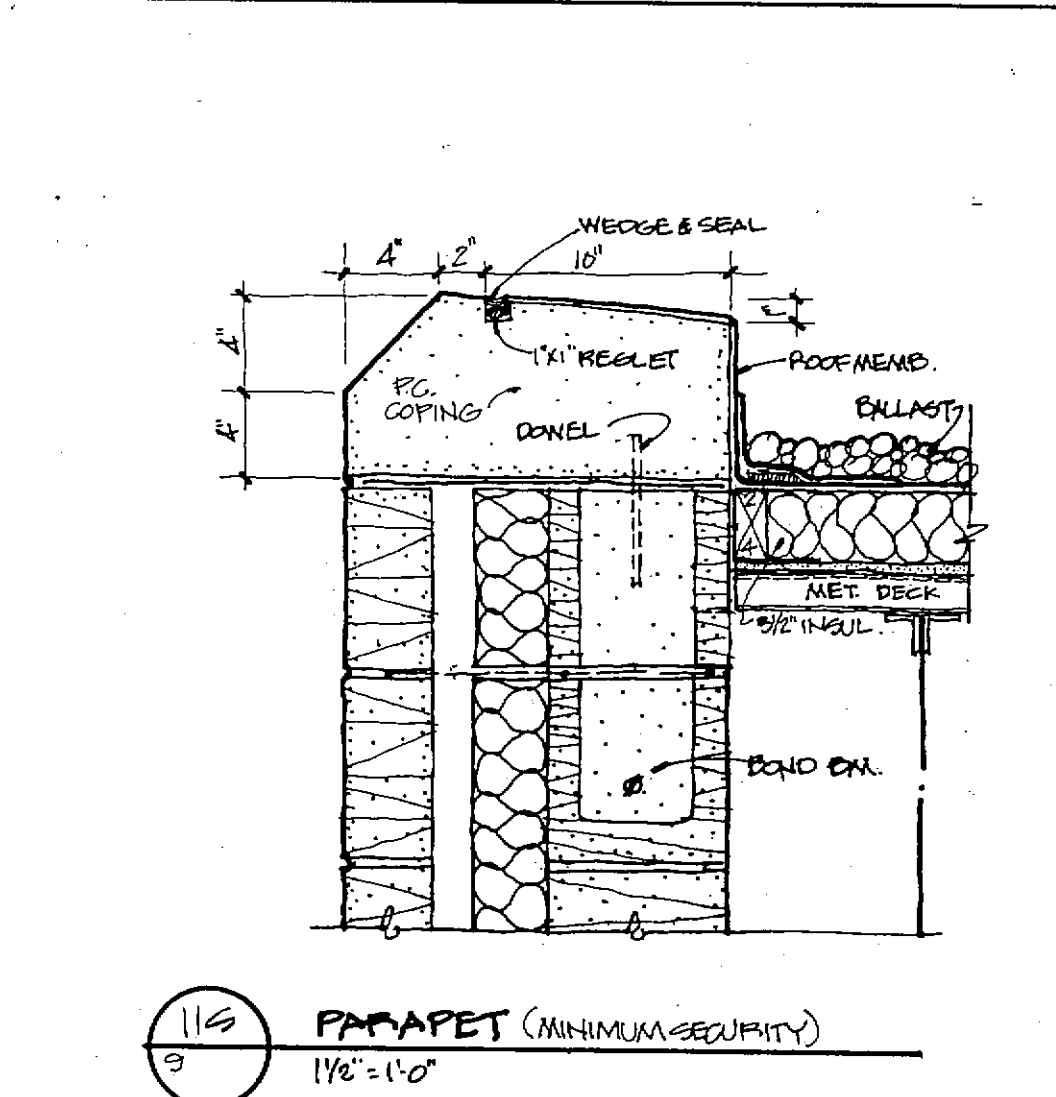
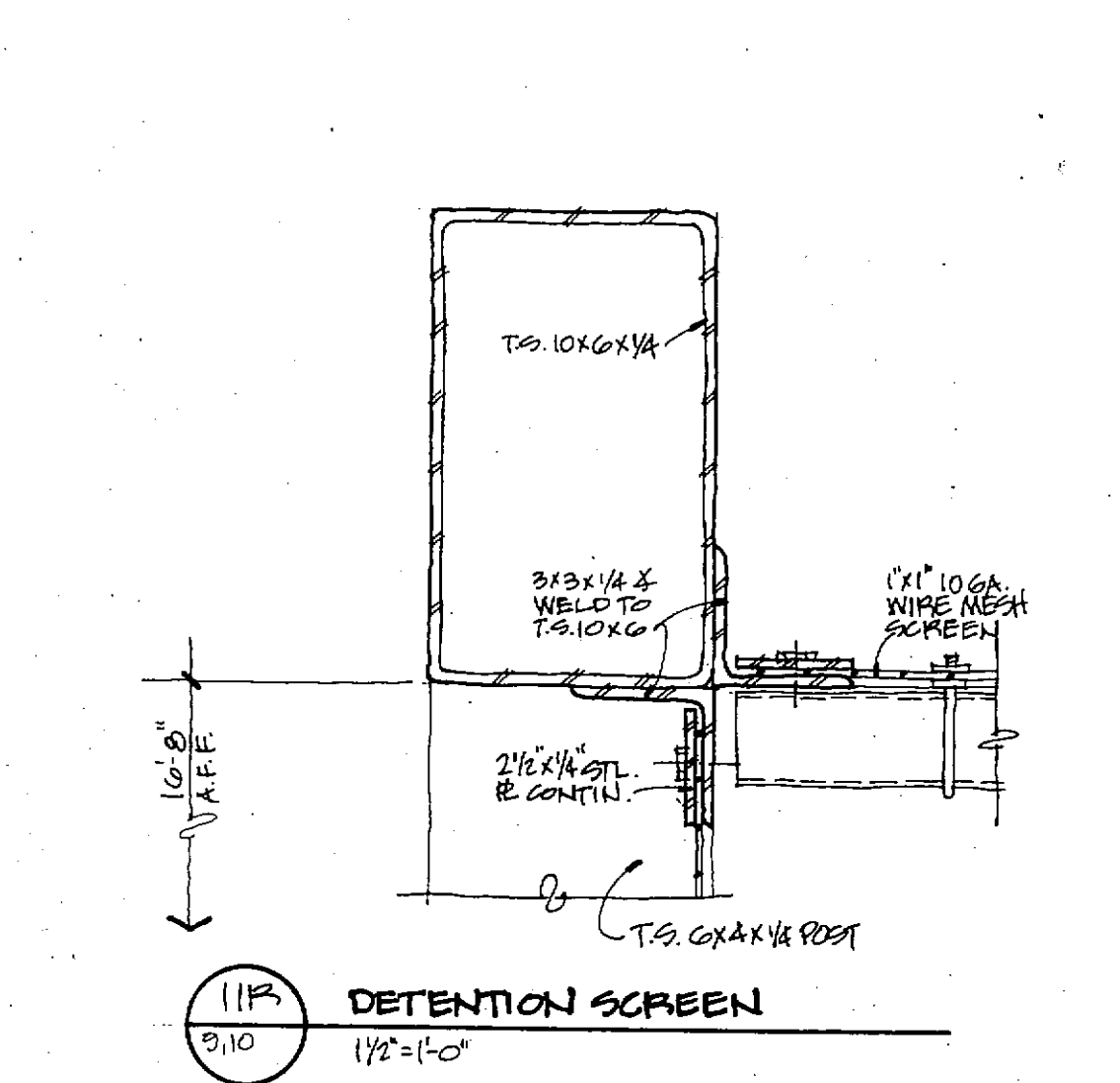
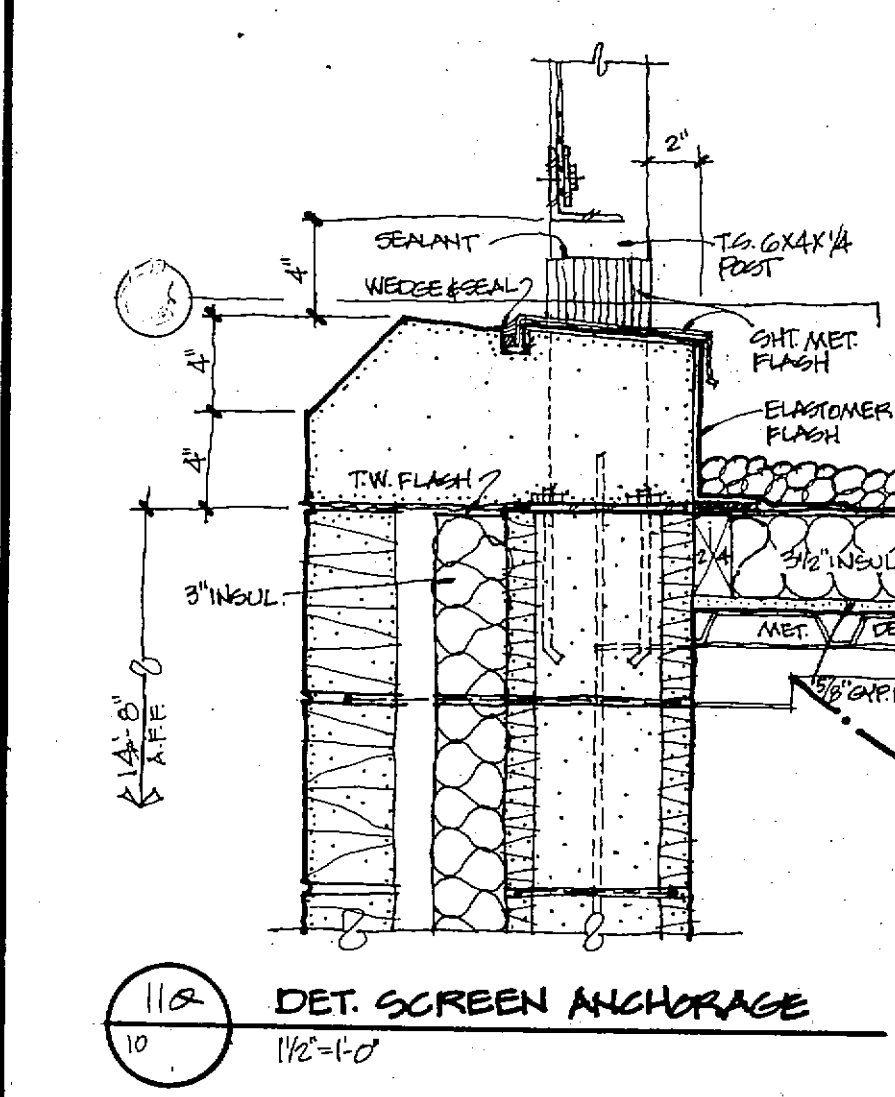
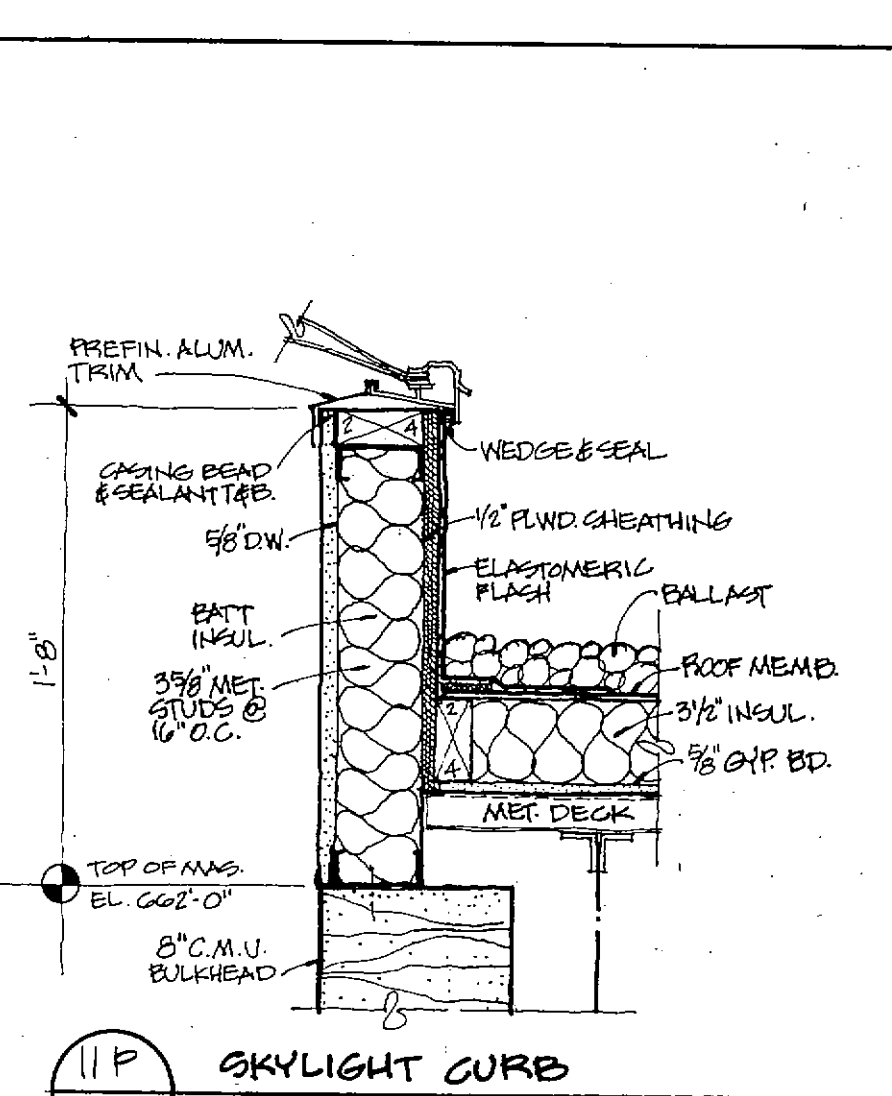
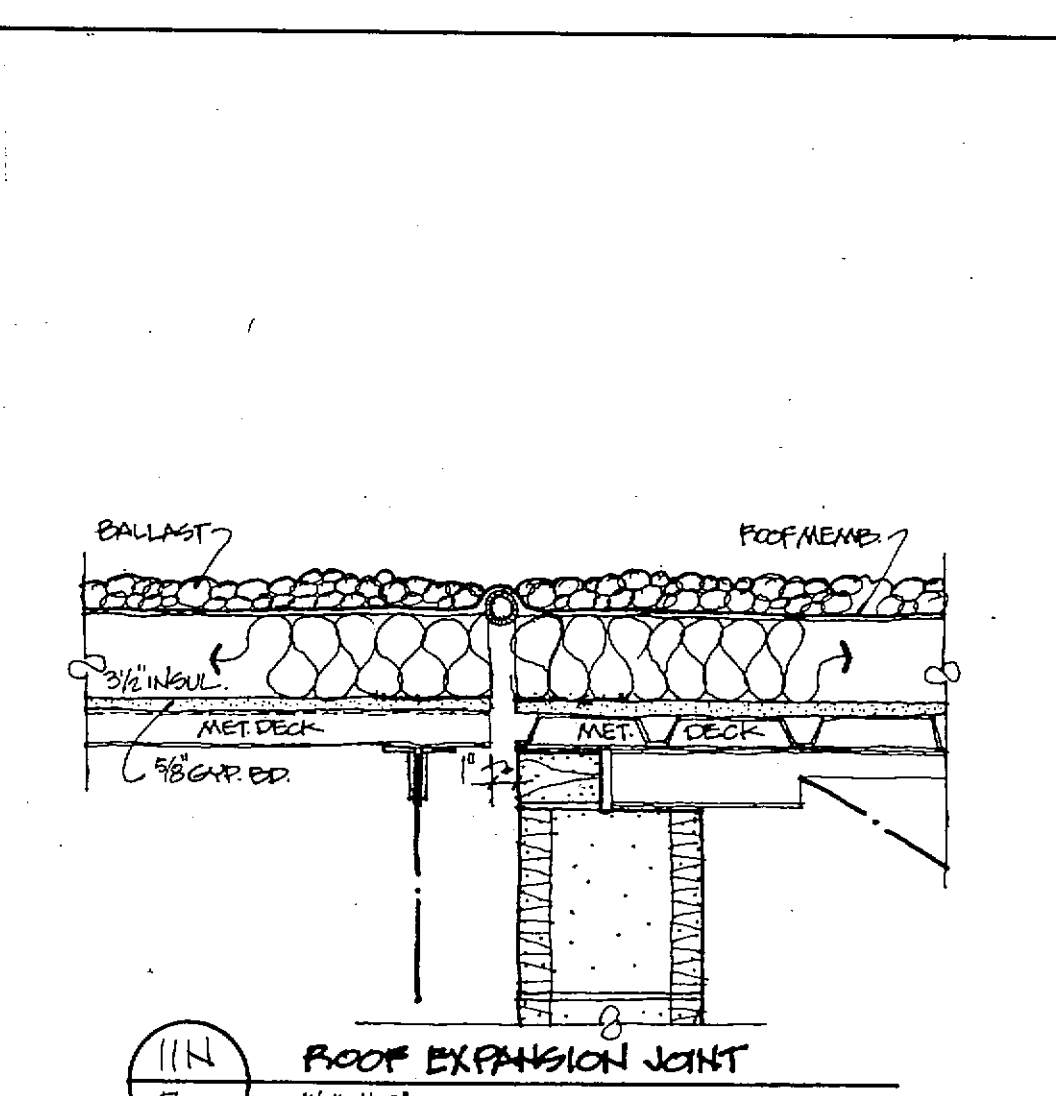
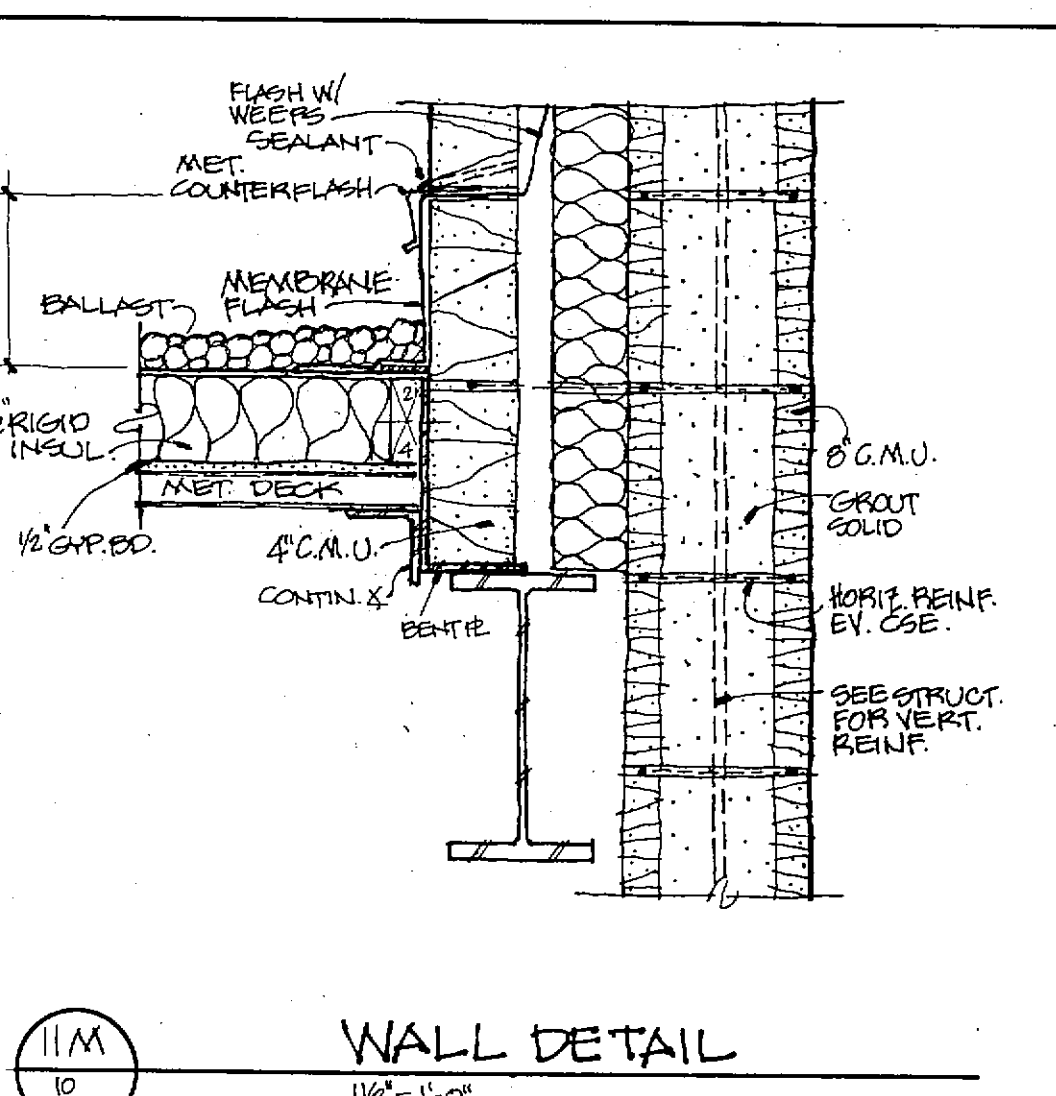
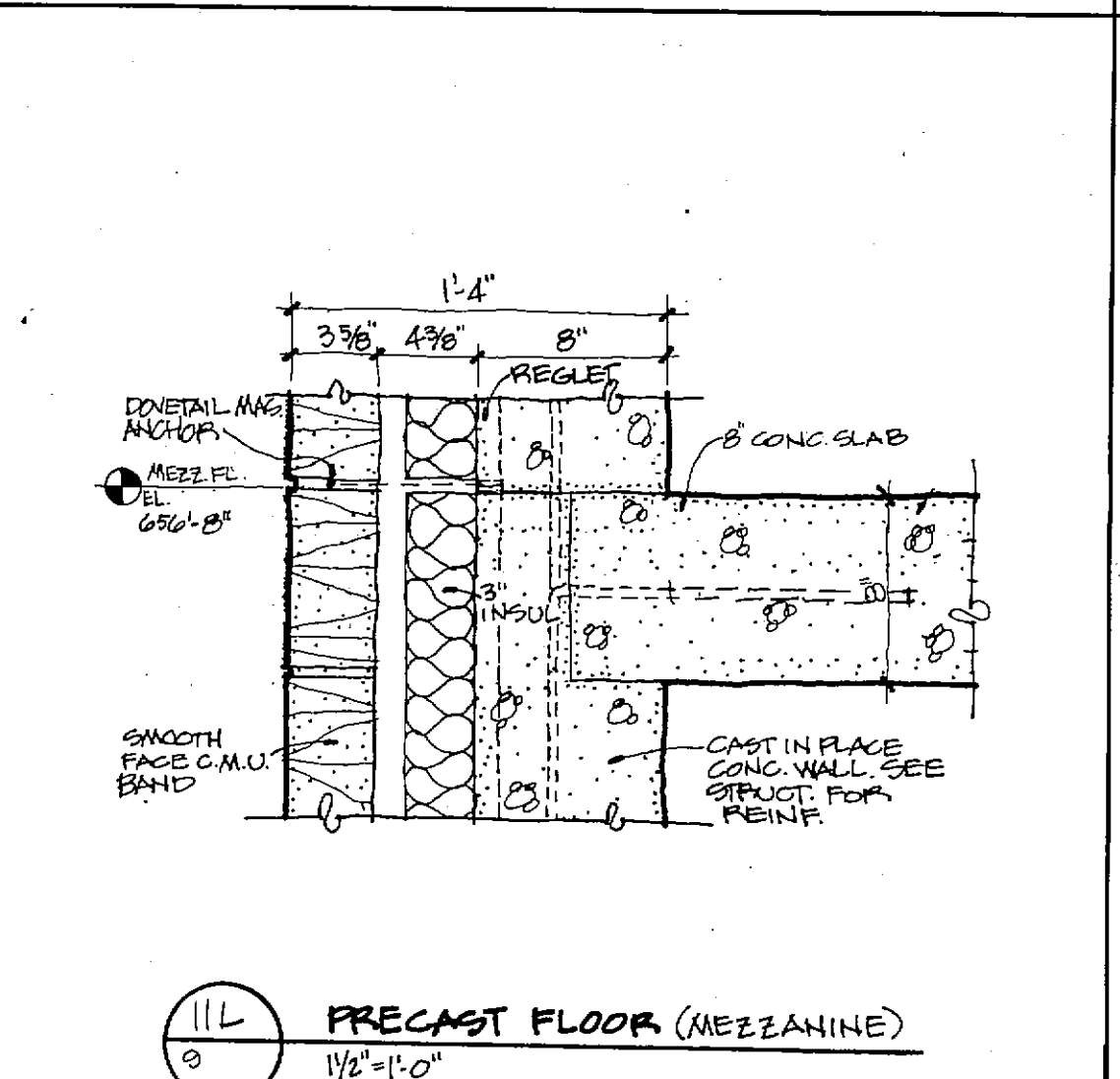
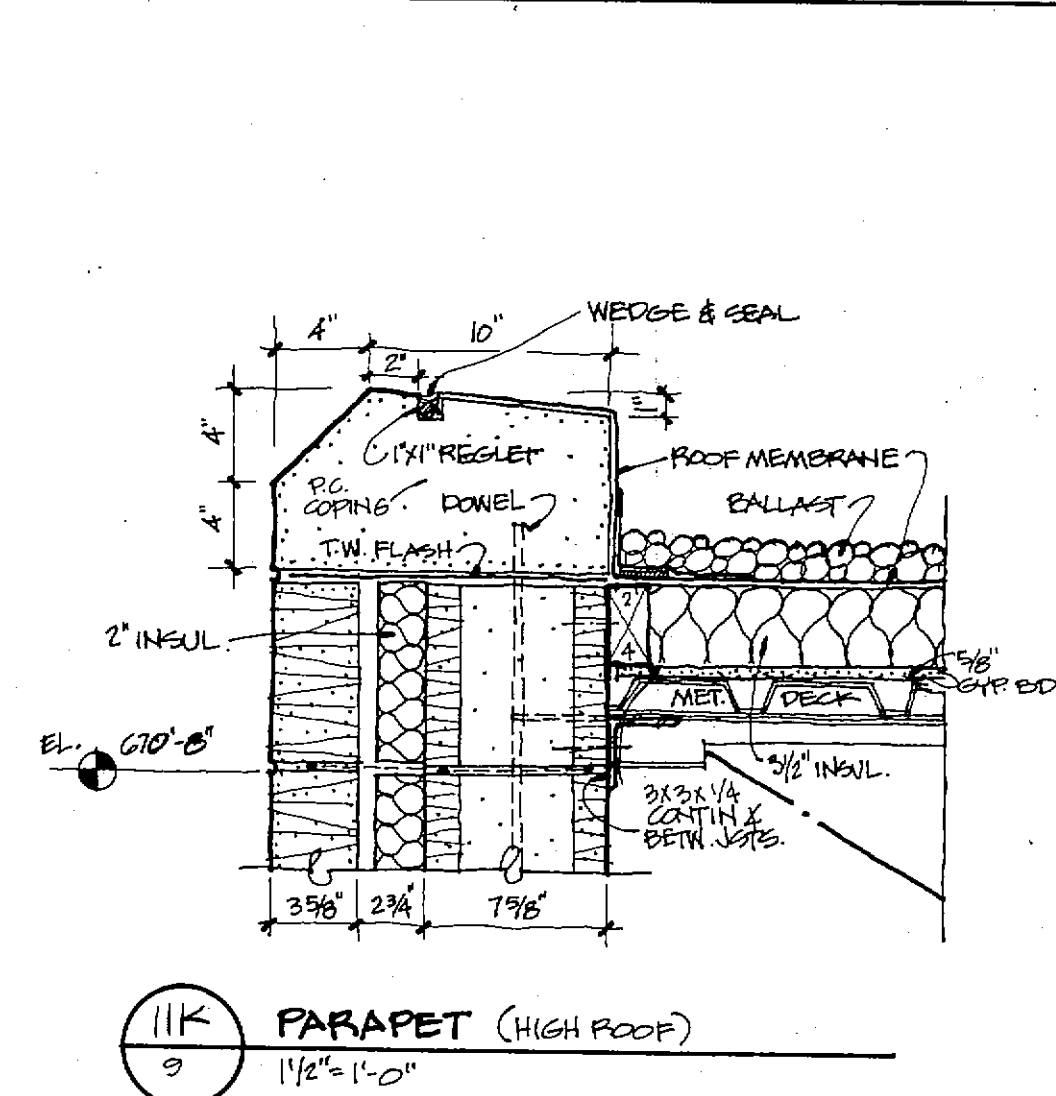
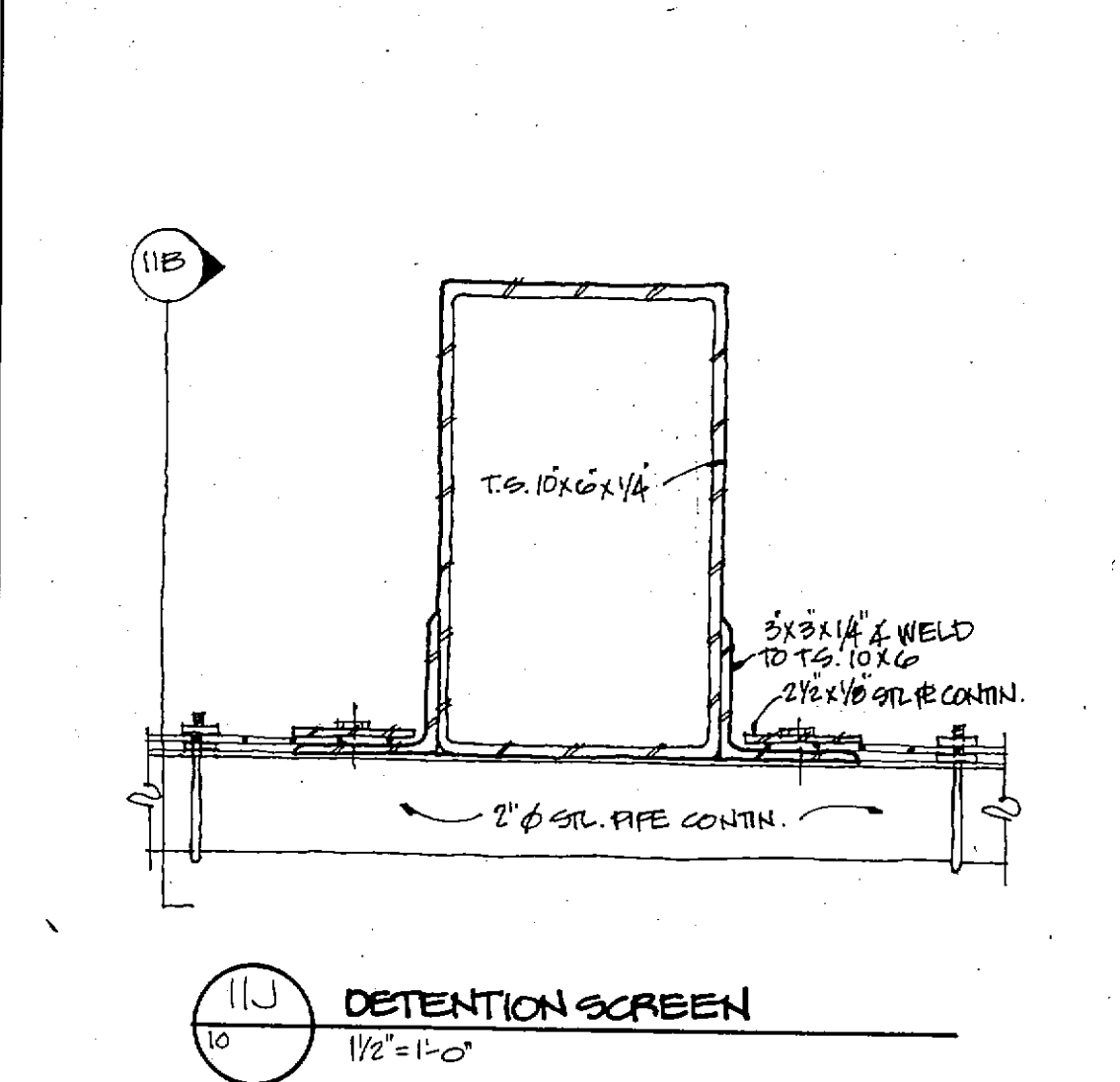
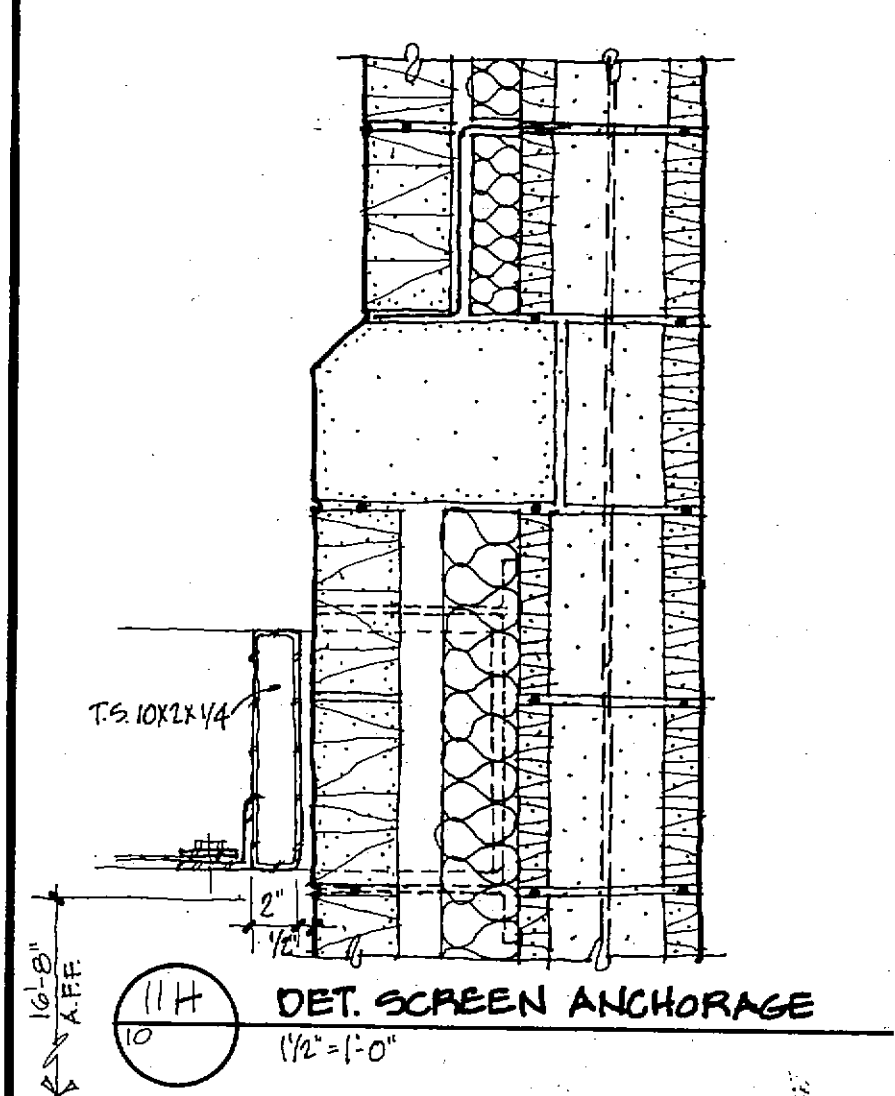
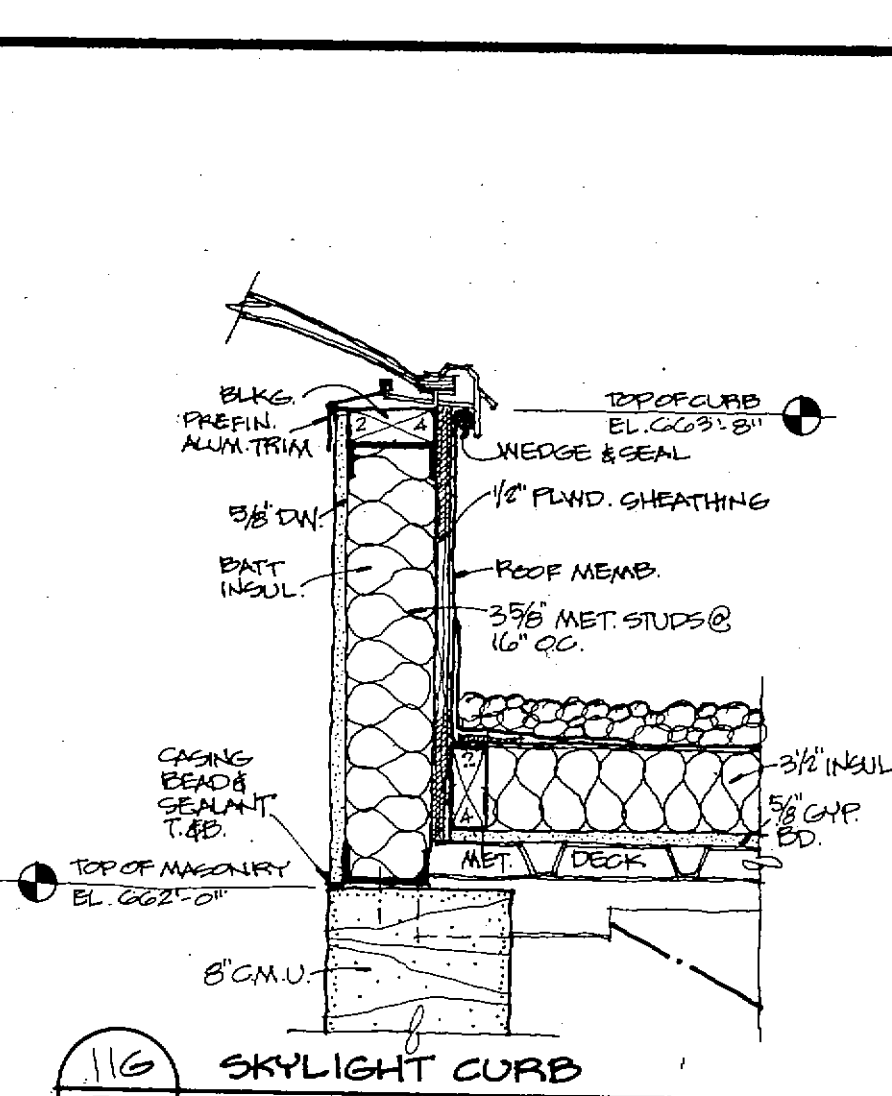
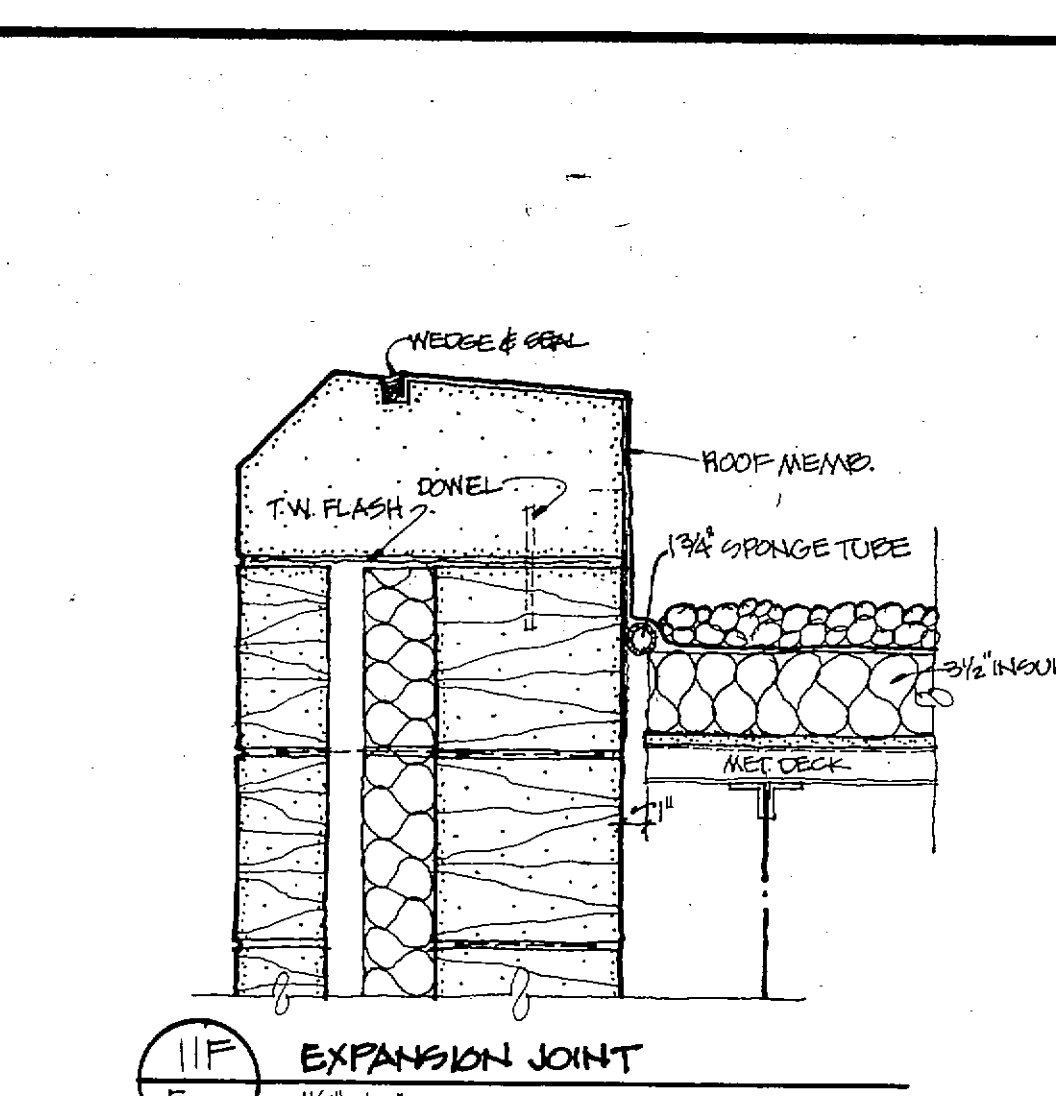
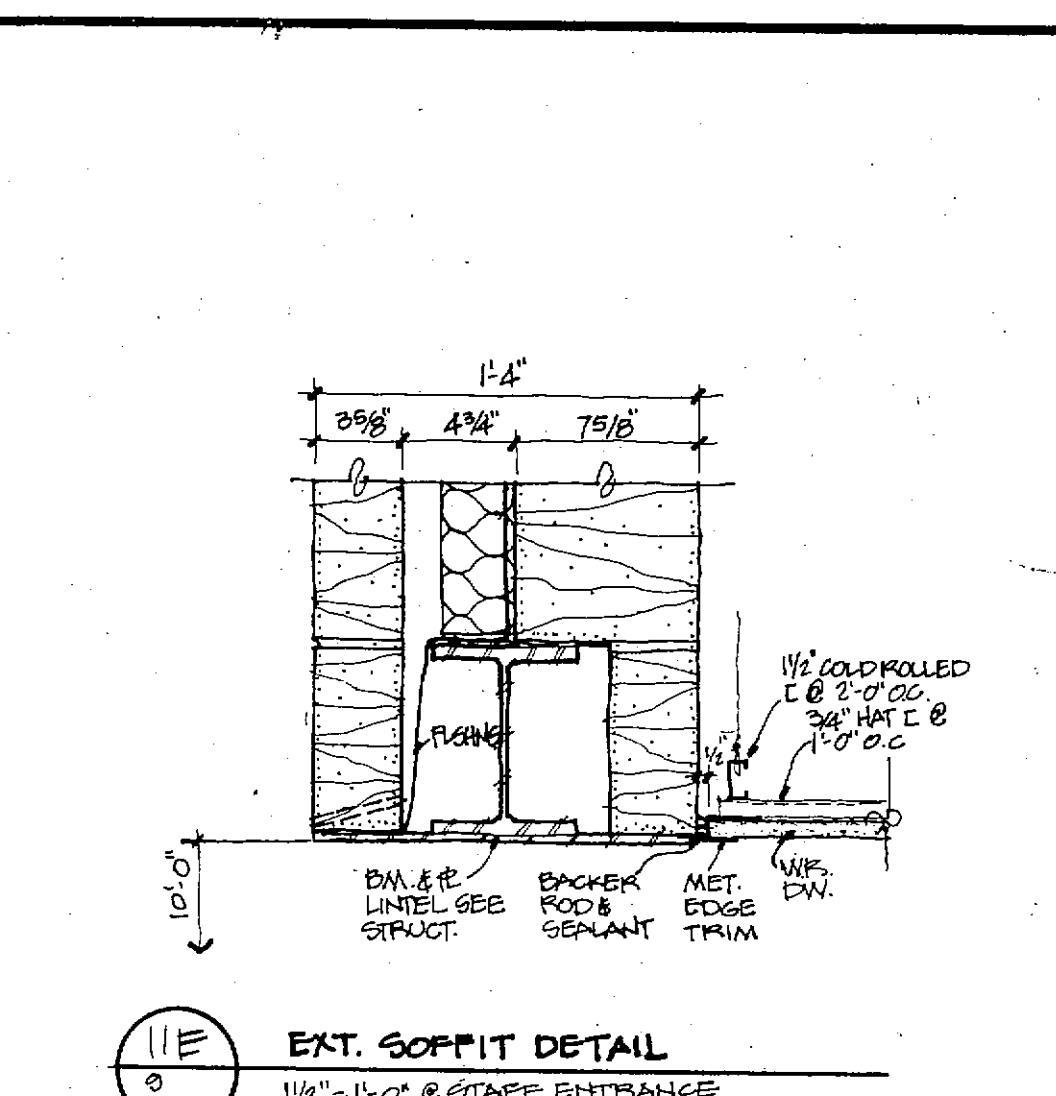
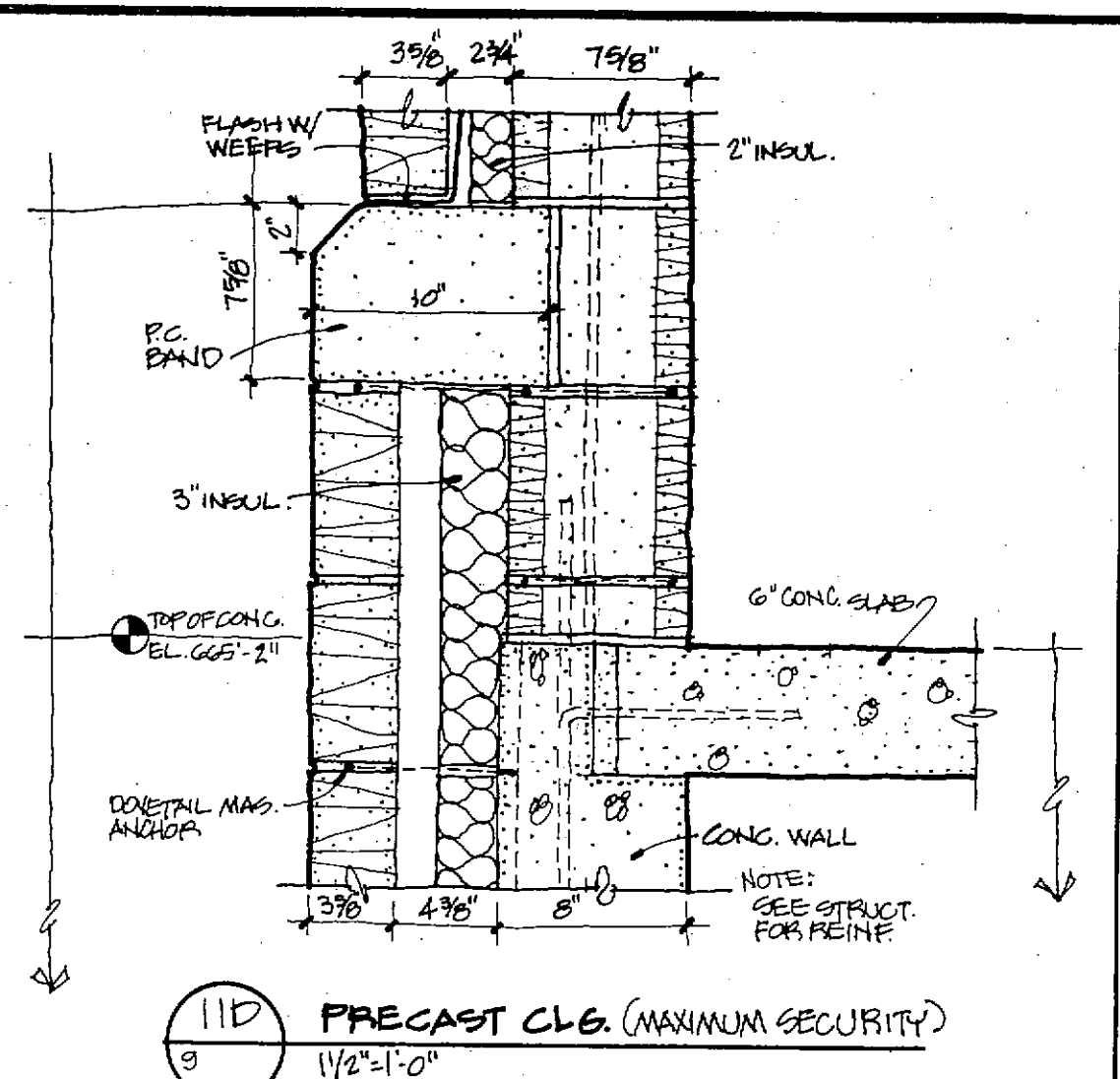
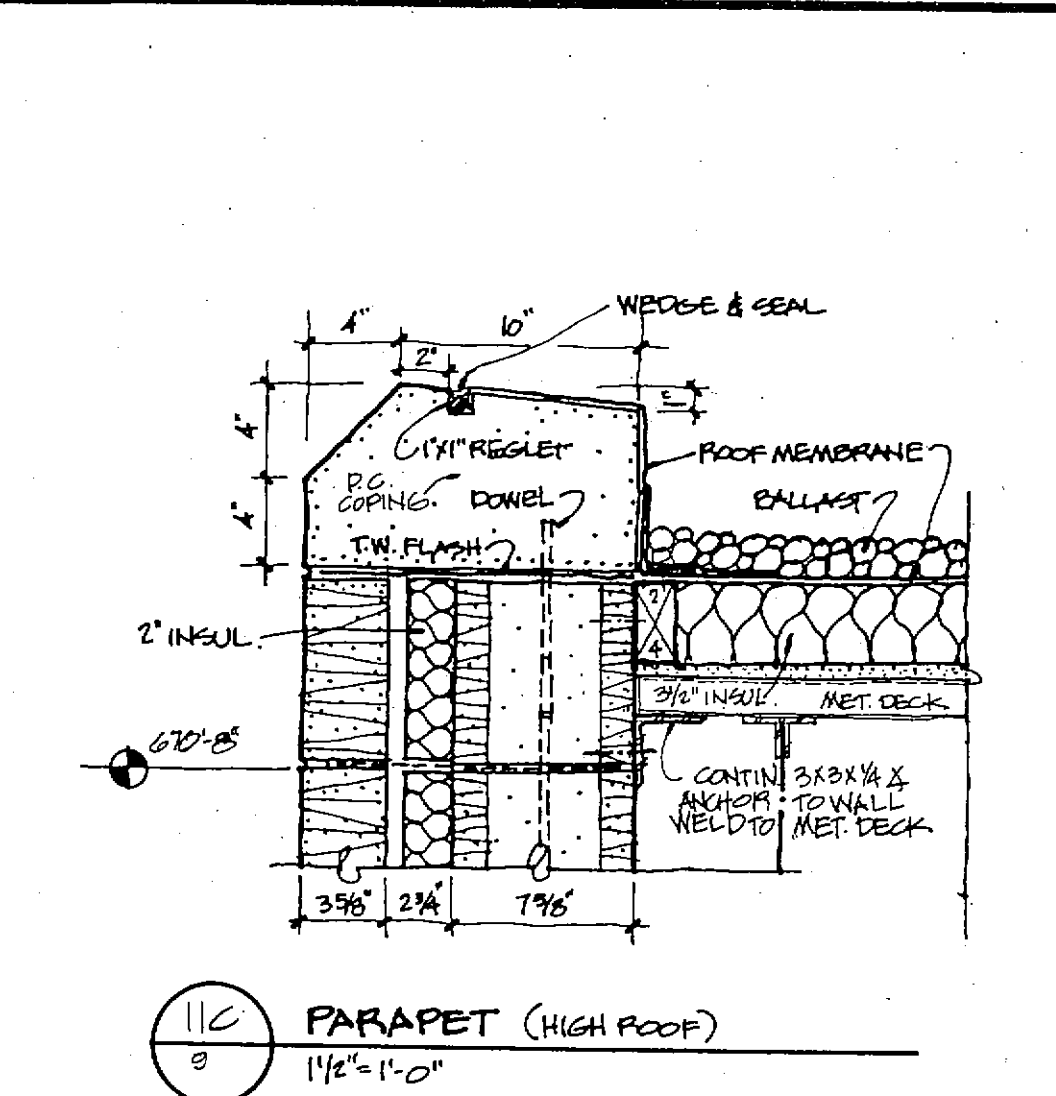
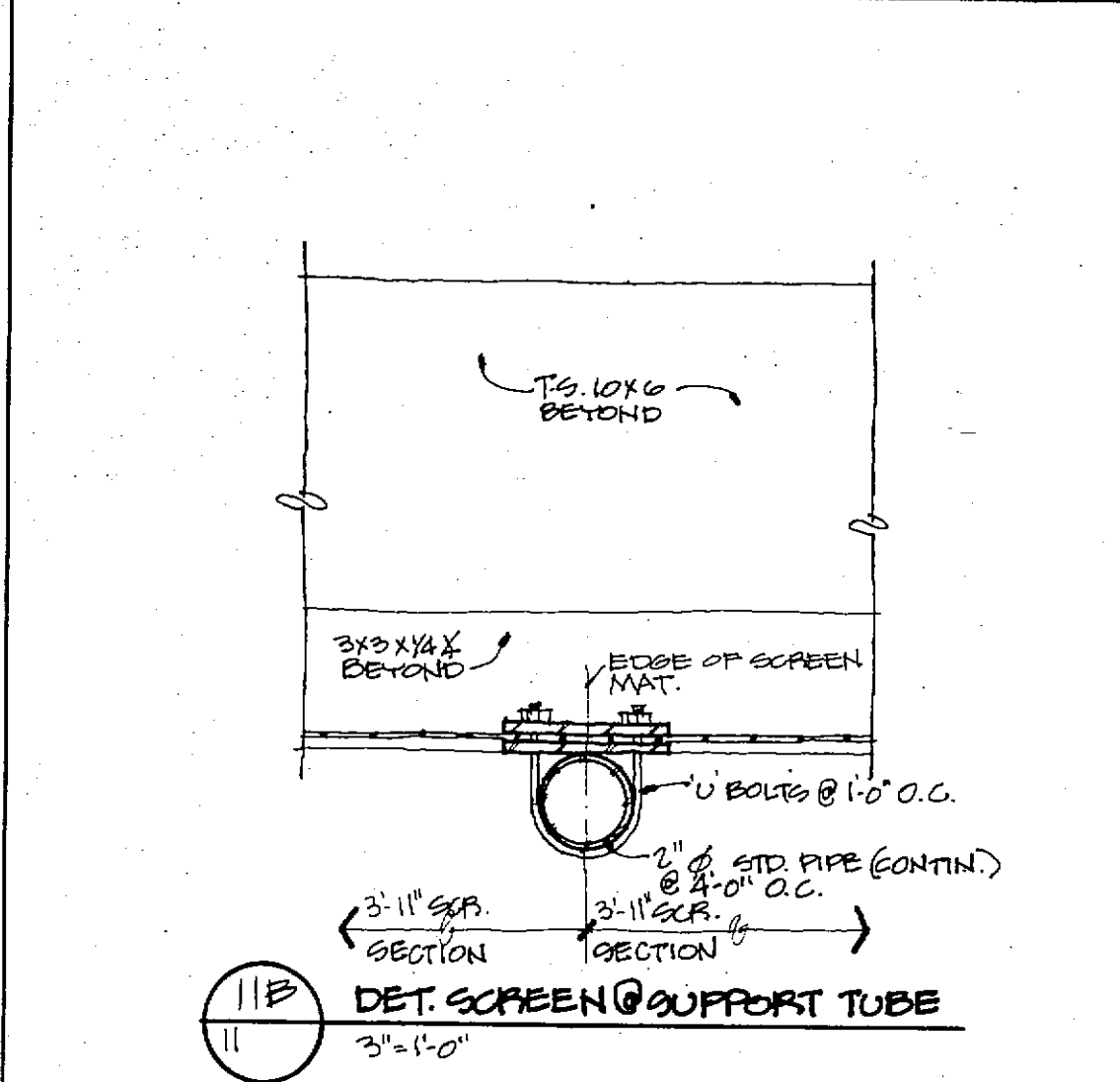
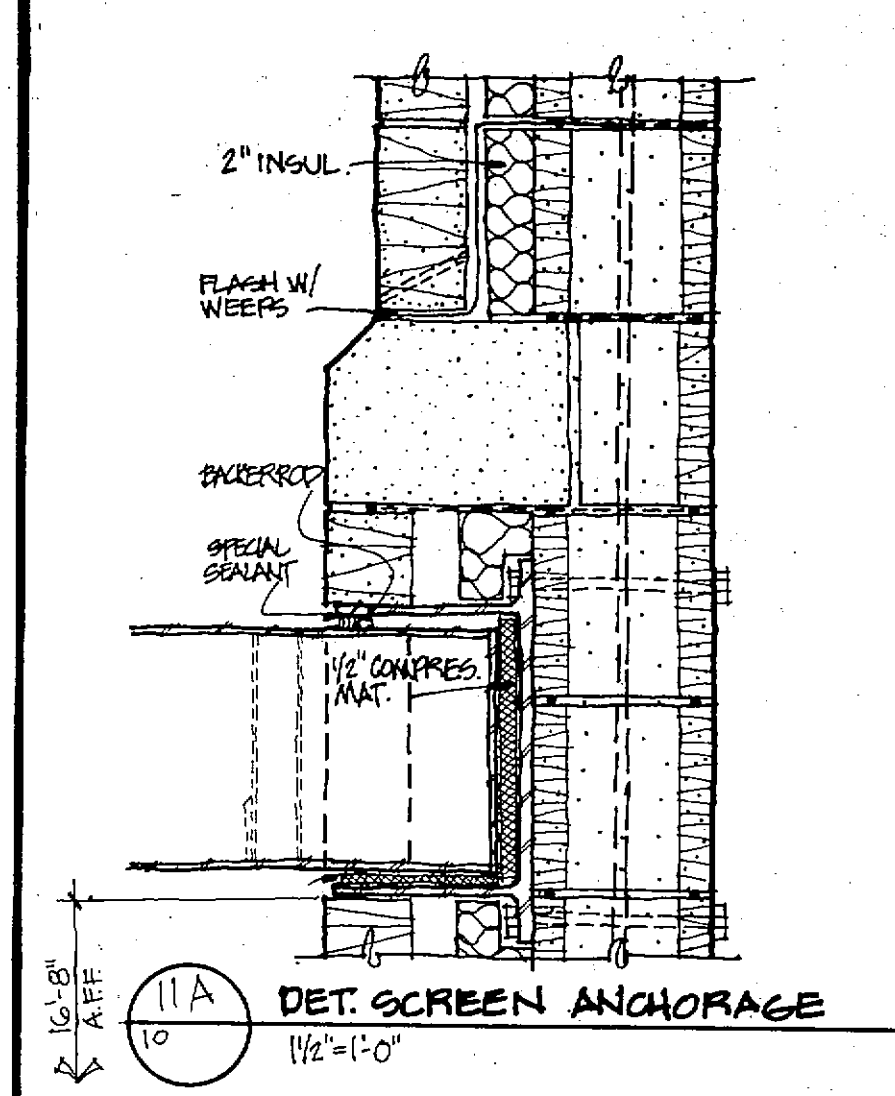
10J ELEVATION
1/8" = 1'-0"



10K ELEVATION
1/8" = 1'-0"

BUILDING SECTIONS/ELEVATIONS
1/8" = 1'-0"

FRANKLIN COUNTY ADULT JAIL UNION, MISSOURI	
PEARCE CORPORATION One Mercantile Center Saint Louis, Missouri 63101	
Siebold, Sydow & Eitanbaum Inc. Structural Engineers Colton/Lester/Niederhorn Associates, Inc. Mechanical & Electrical Engineers Walker McGough Foltz Lyria, P.S. Security Consultants	
	DRAWN BY KEE
	CHECKED BY JMT
	REVISI NUMBER
	PROJ. NO. 84-07.1.00
DATE MARCH 22, 1985	DRAWING NO. 10



FRANKLIN COUNTY ADULT JAIL UNION, MISSOURI

PEARCE CORPORATION
 One Mississippi Center
 Saint Louis, Missouri 63101

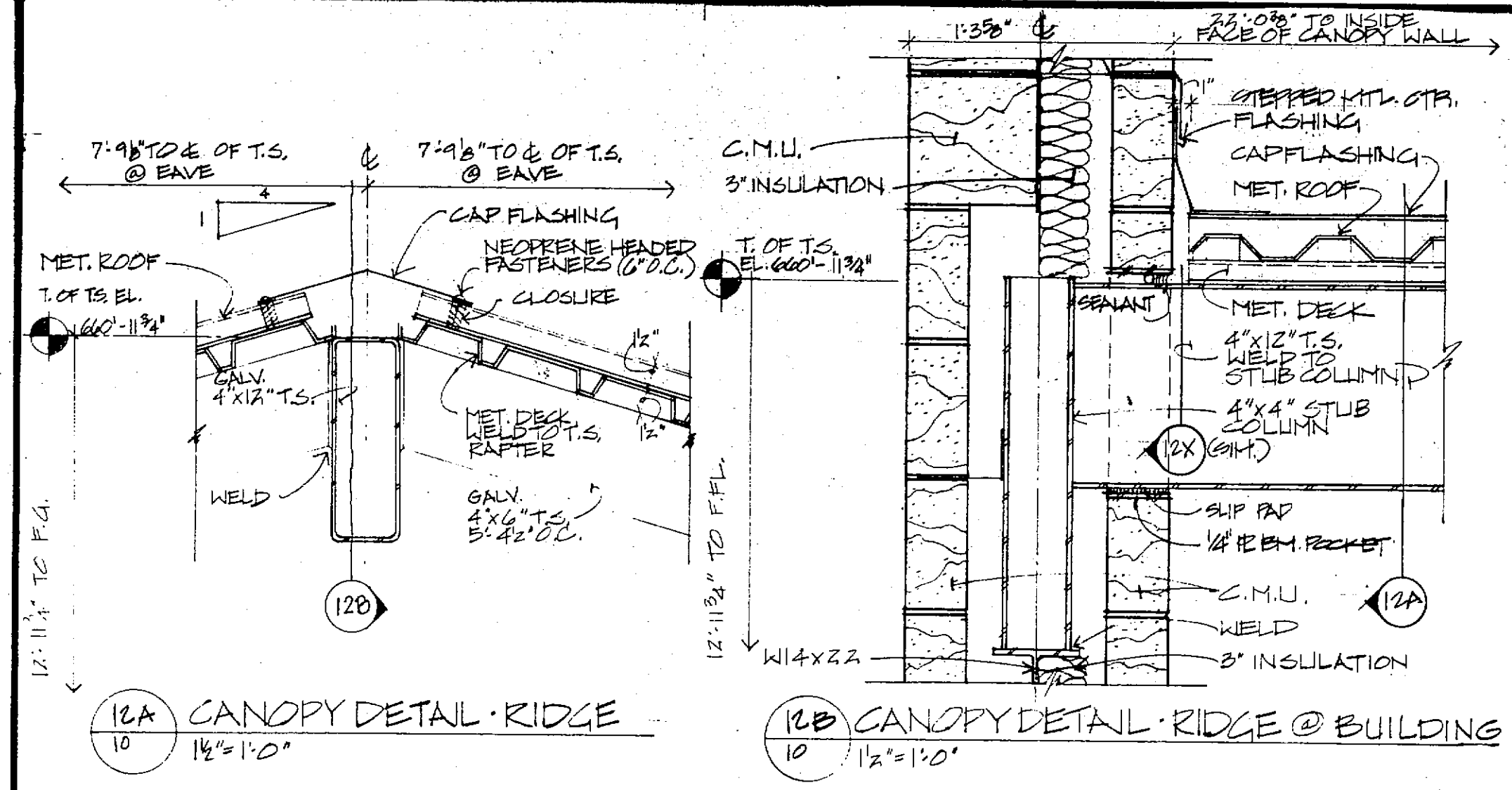
Stebold, Sydow & Eltanbaum Inc.
 Structural Engineers

Colton/Lester/Niederhorn Associates, Inc.
 Mechanical & Electrical Engineers

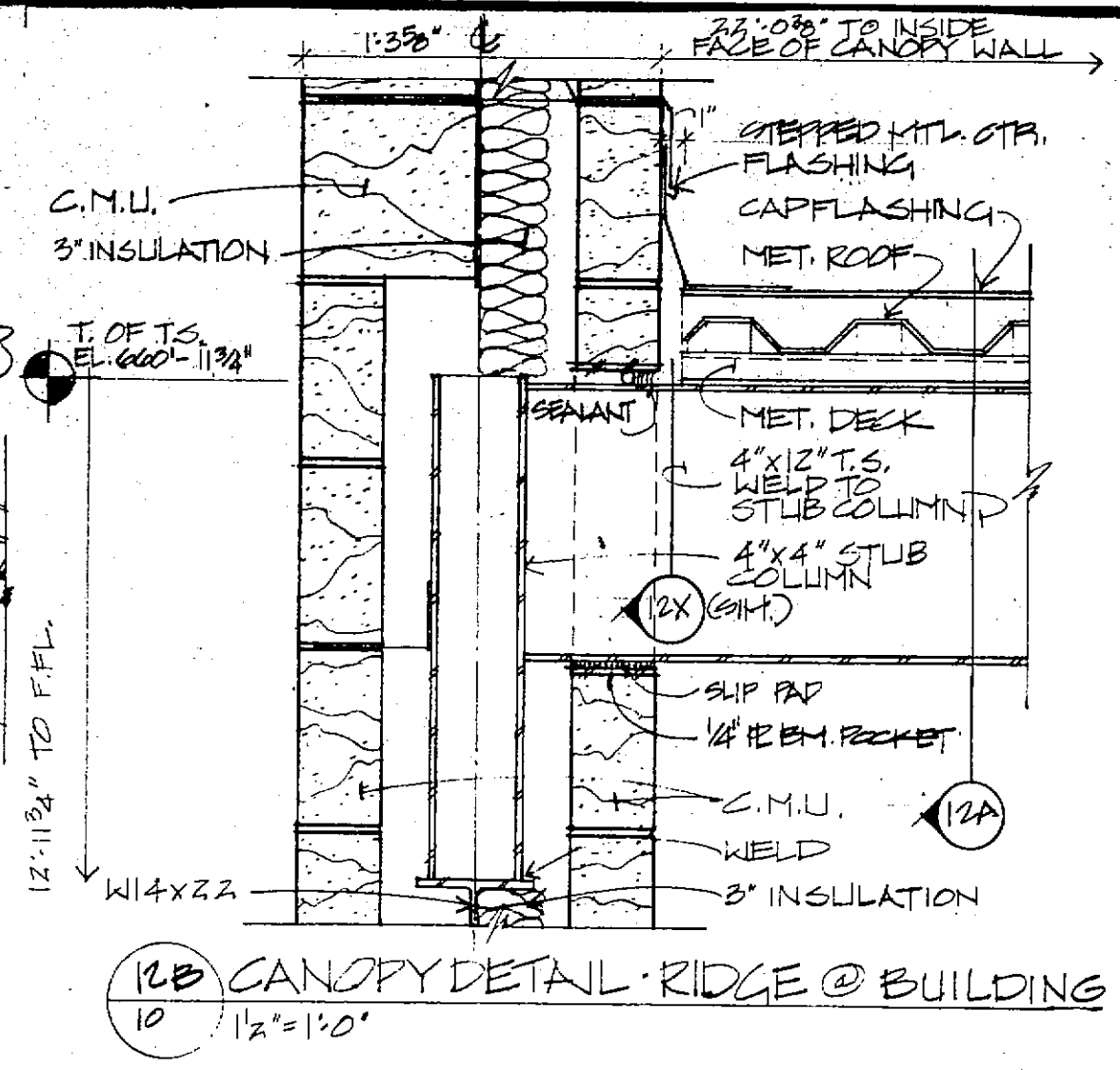
Walker McGoough Fottz Lyerla, P.S.
 Security Consultants

DESIGNED BY: [Signature]
 CHECKED BY: [Signature]
 REVISIONS: [Table]
 PROJECT NO.: 84-07-1-08
 DATE: MARCH 22, 1985

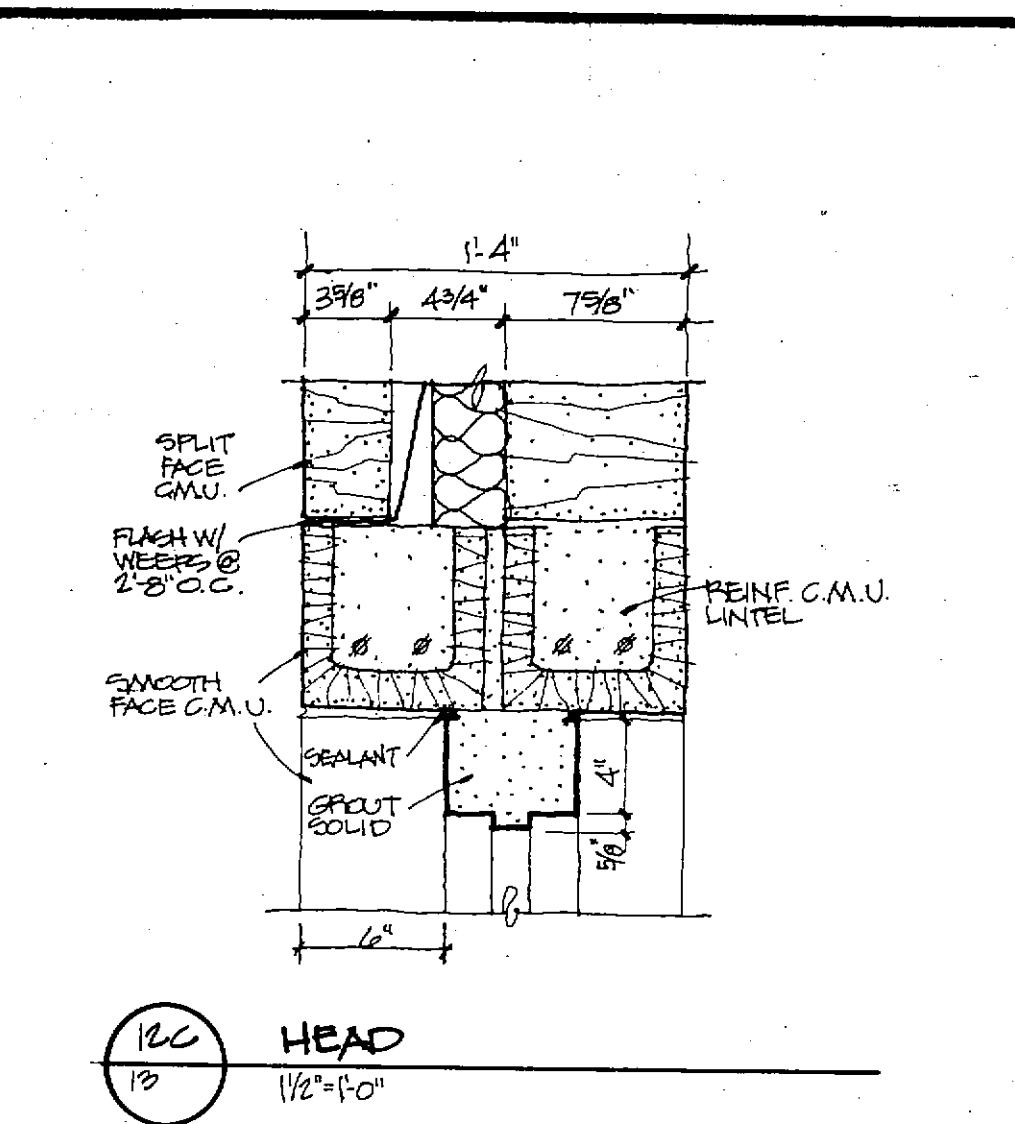
11



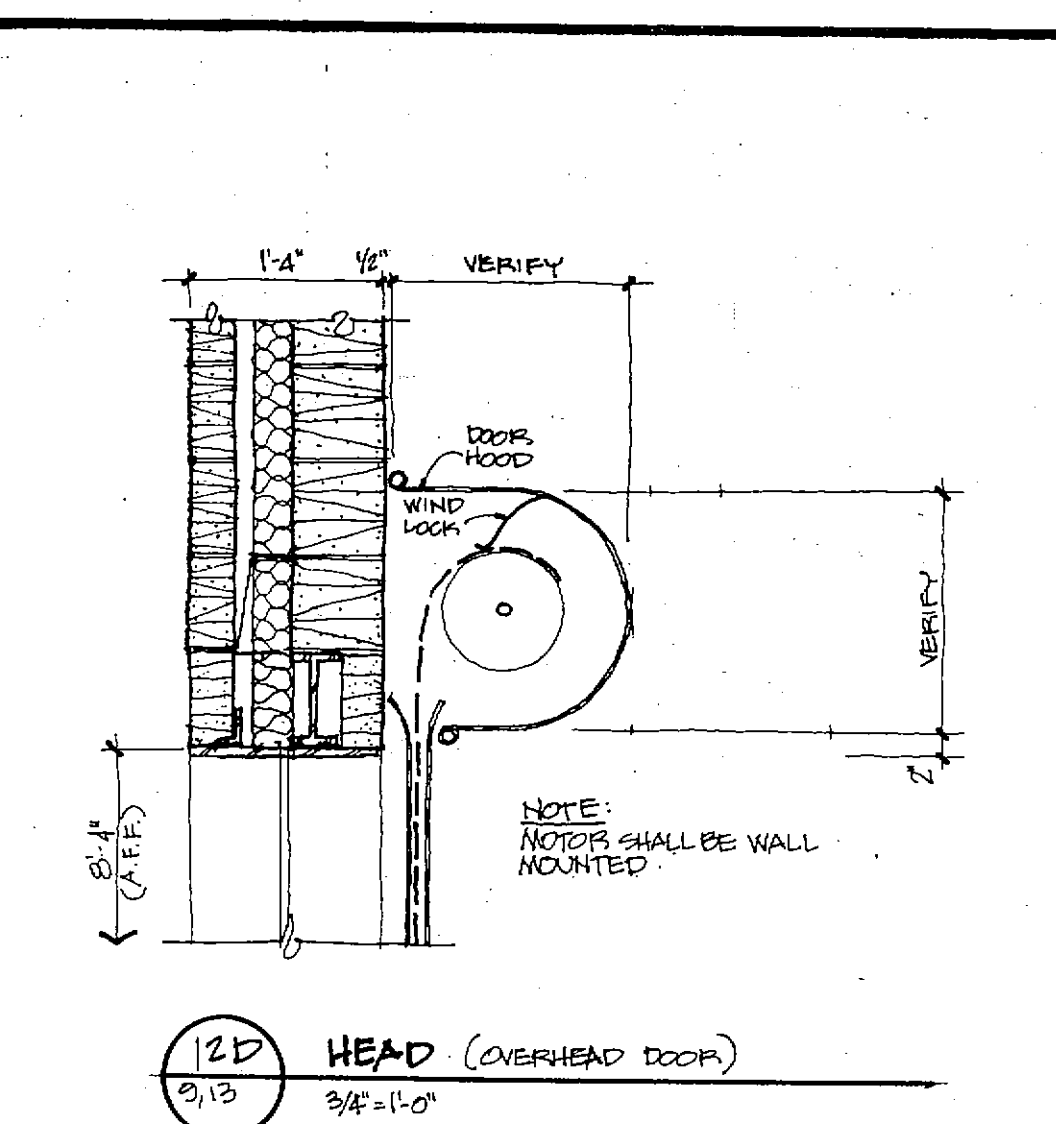
12A CANOPY DETAIL - RIDGE
1 1/2" x 1'-0"



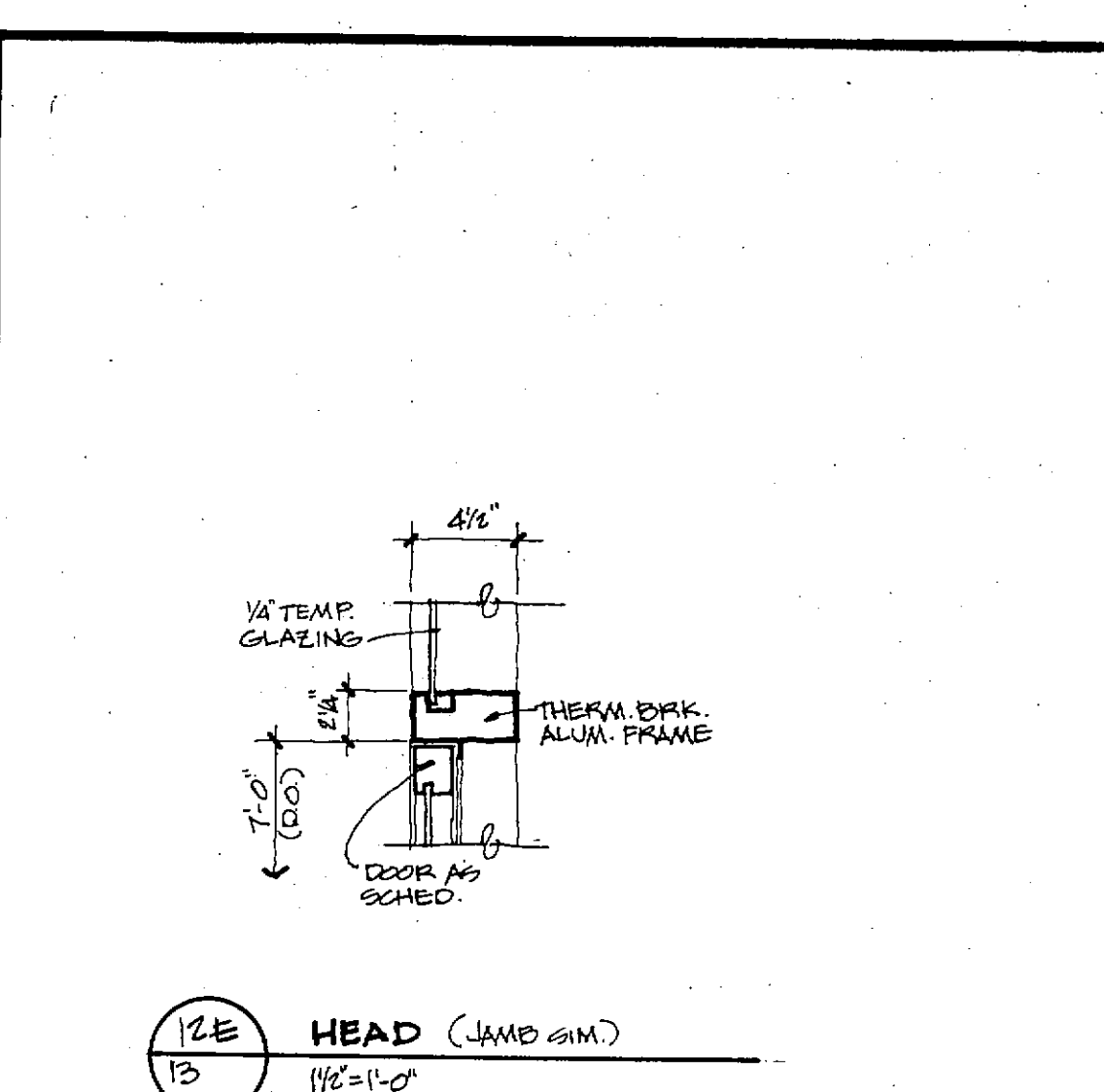
12B CANOPY DETAIL - RIDGE @ BUILDING
1 1/2" x 1'-0"



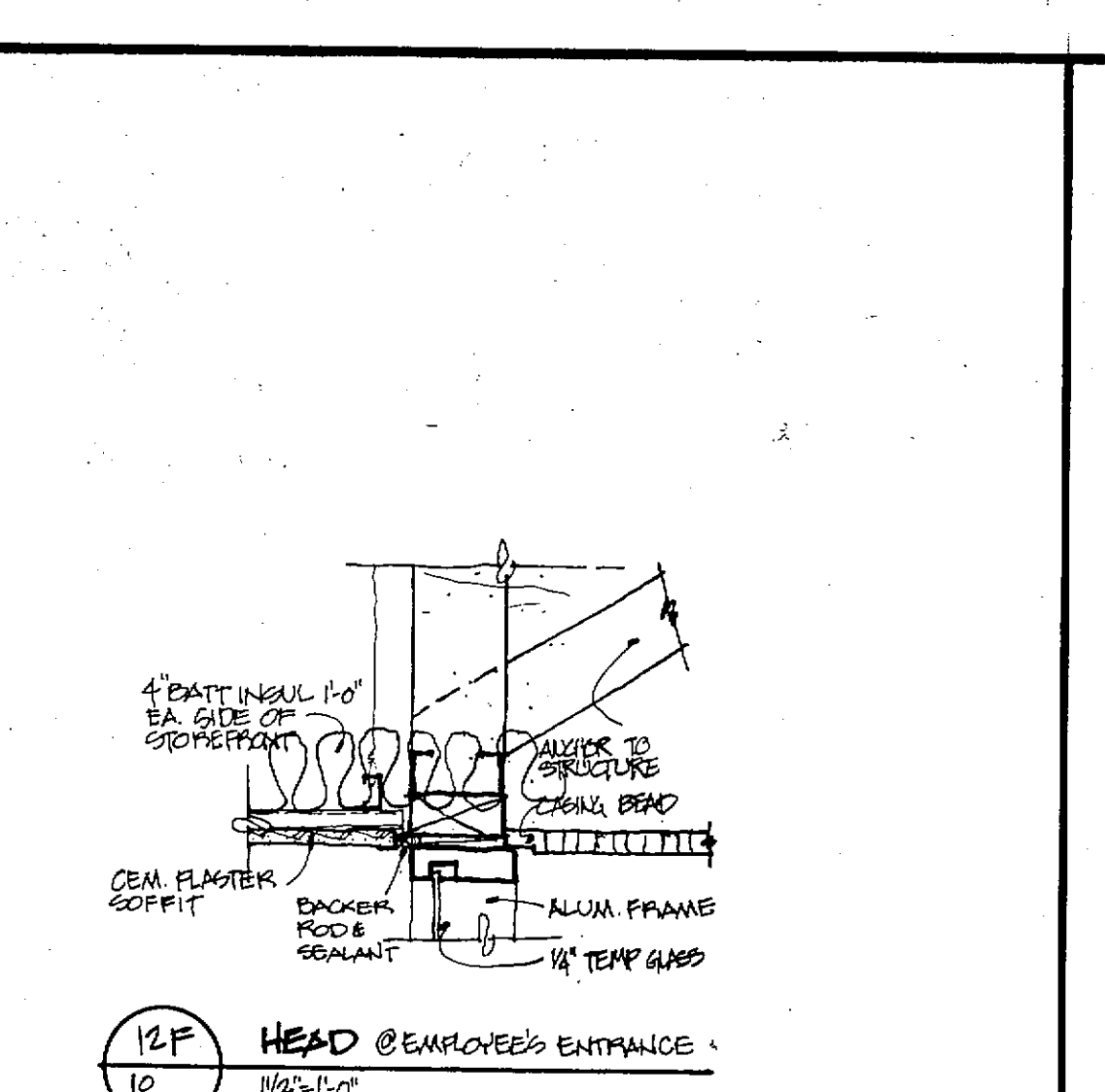
12C HEAD
1 1/2" x 1'-0"



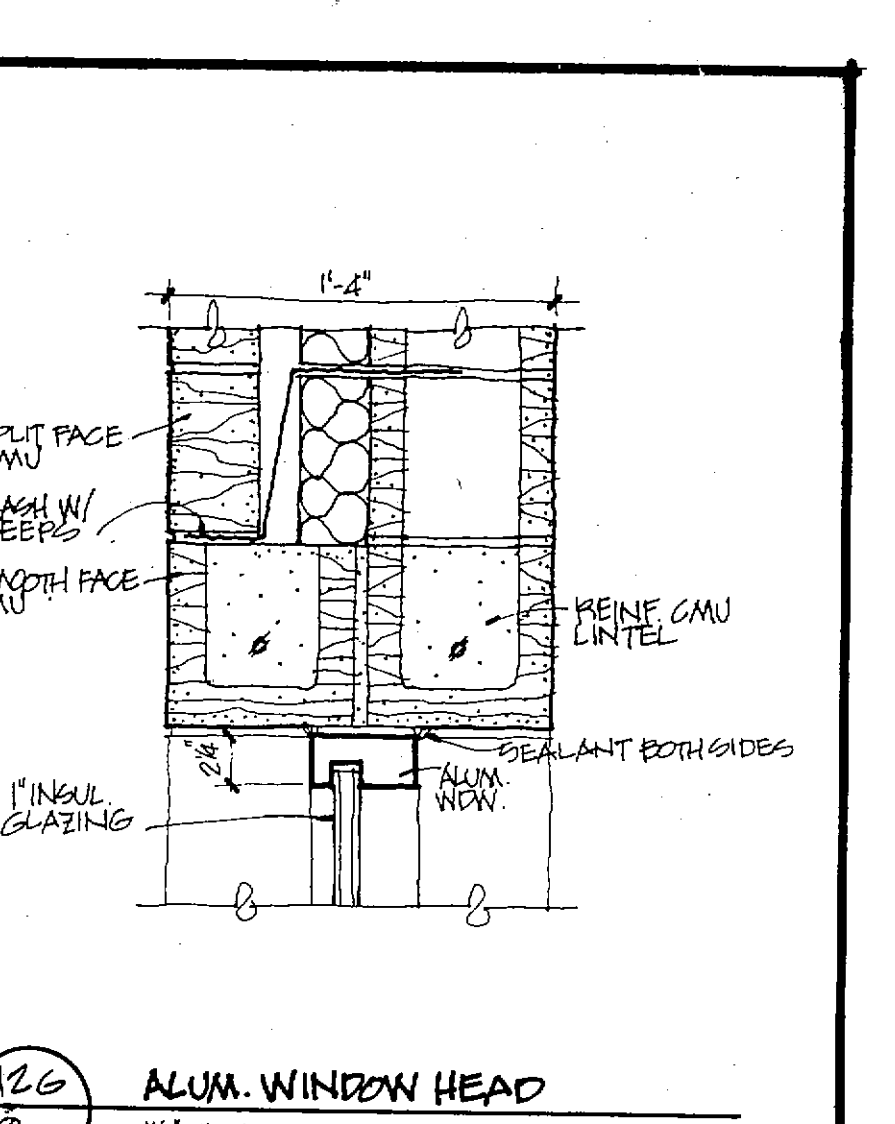
12D HEAD (OVERHEAD DOOR)
2 1/2" x 1'-0"



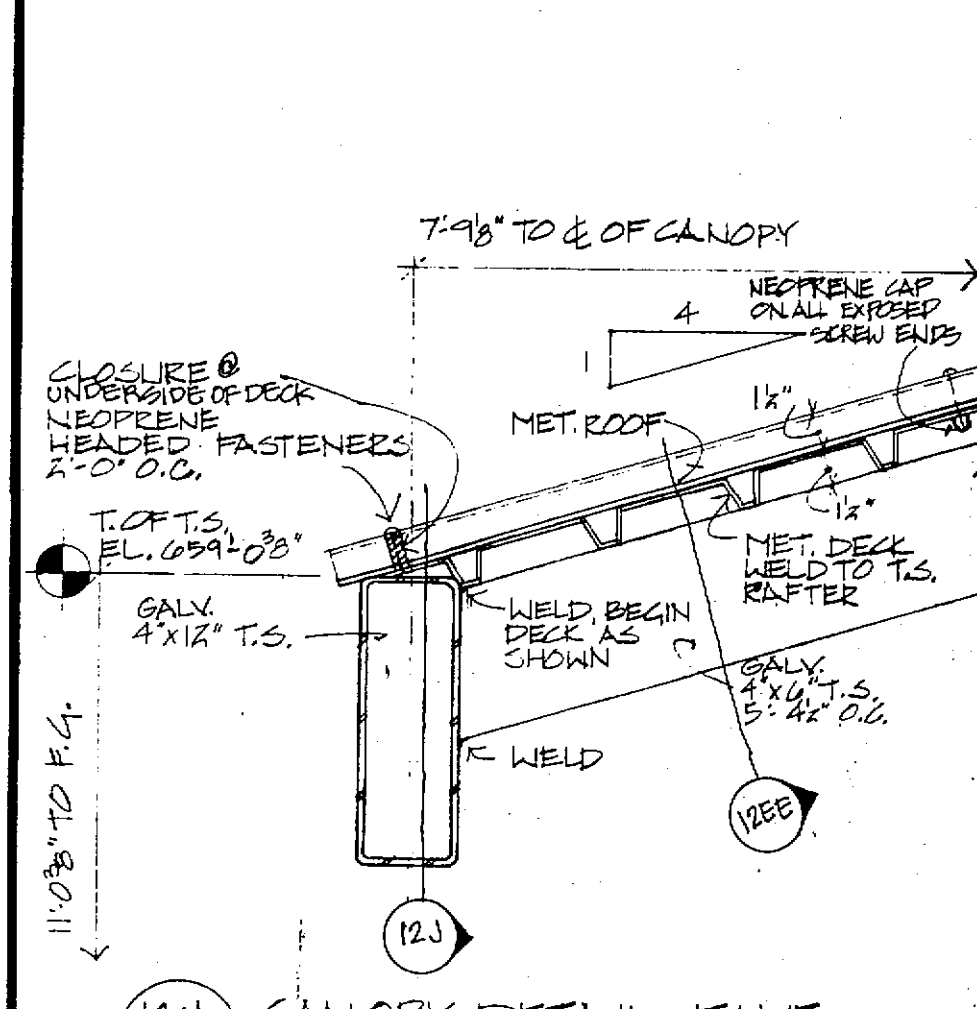
12E HEAD (JAMB)
1 1/2" x 1'-0"



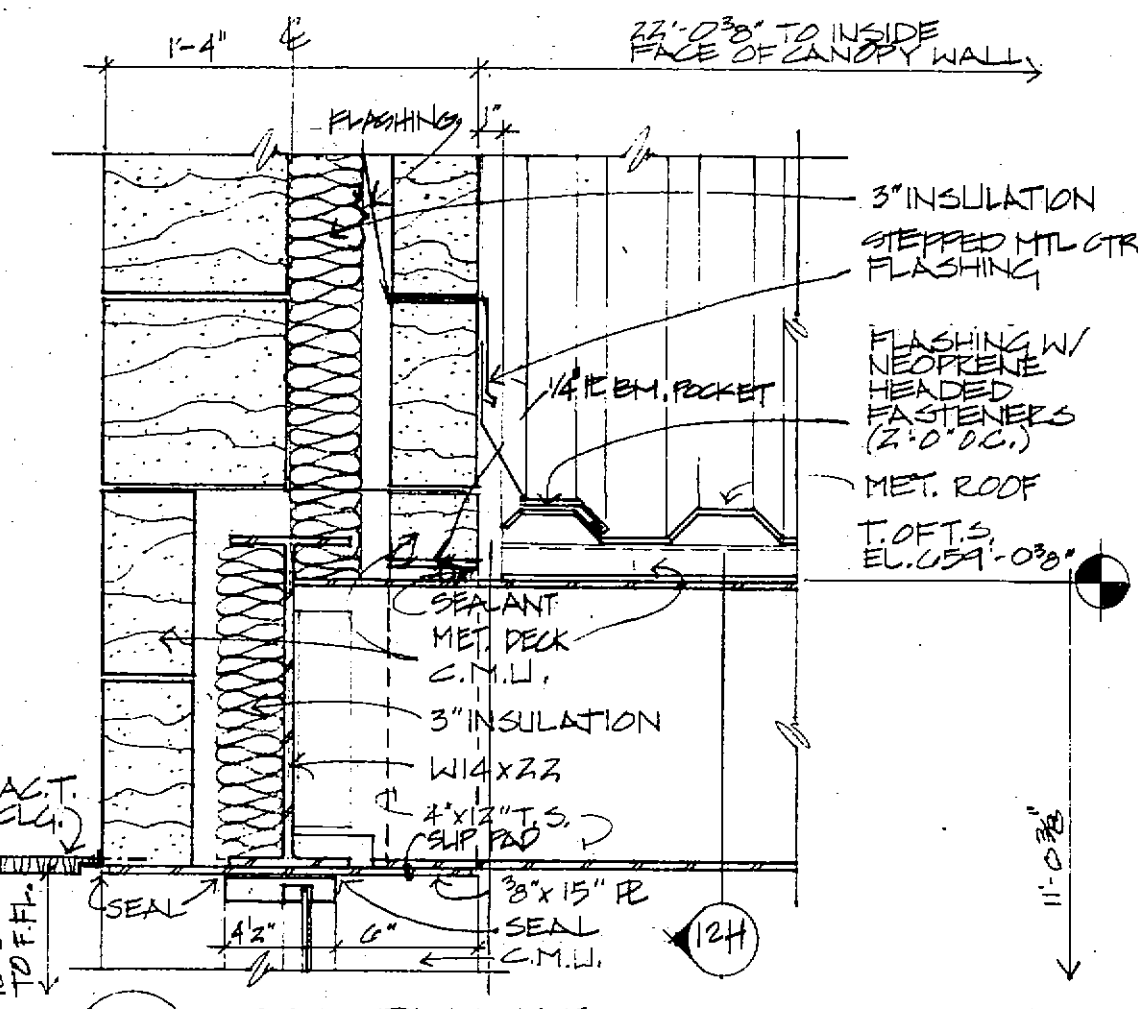
12F HEAD @ EMPLOYEES ENTRANCE
1 1/2" x 1'-0"



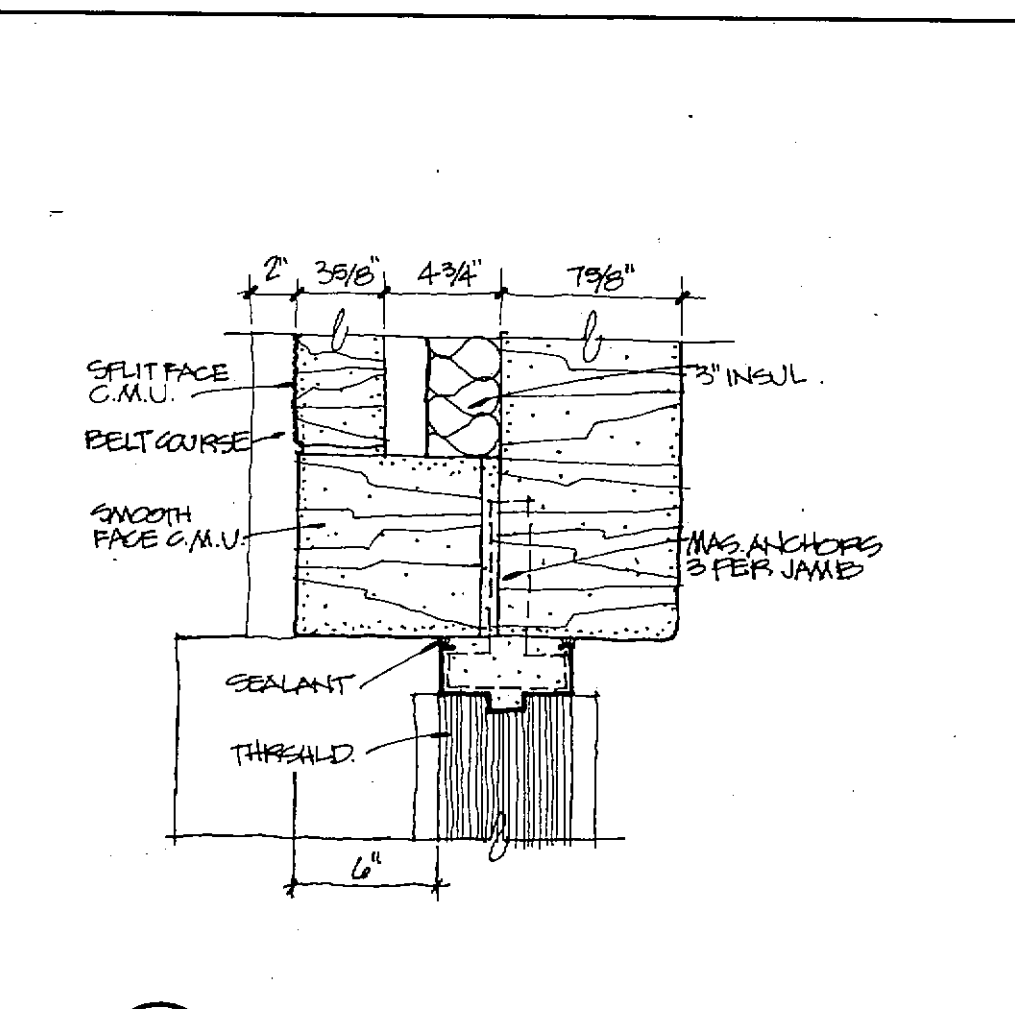
12G ALUM. WINDOW HEAD
1 1/2" x 1'-0"



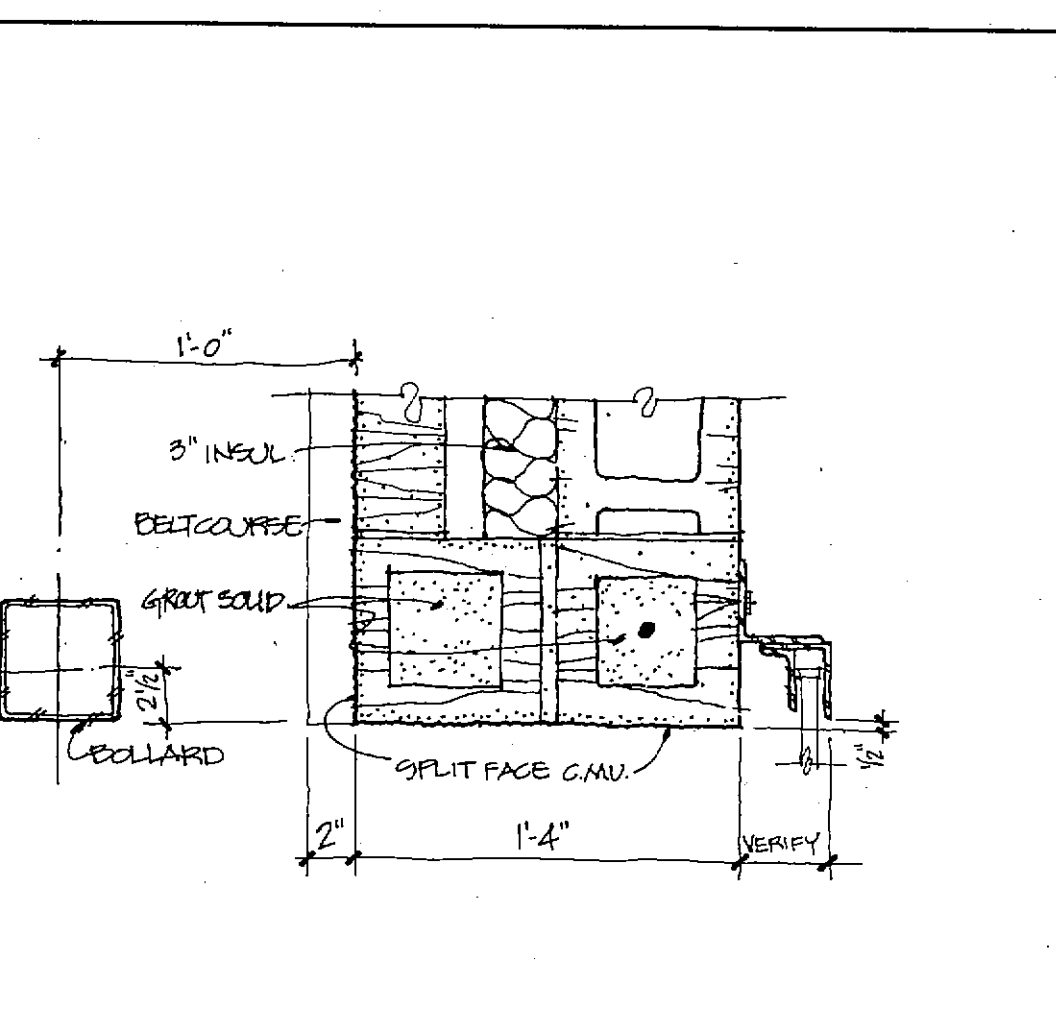
12H CANOPY DETAIL - EAVE
1 1/2" x 1'-0"



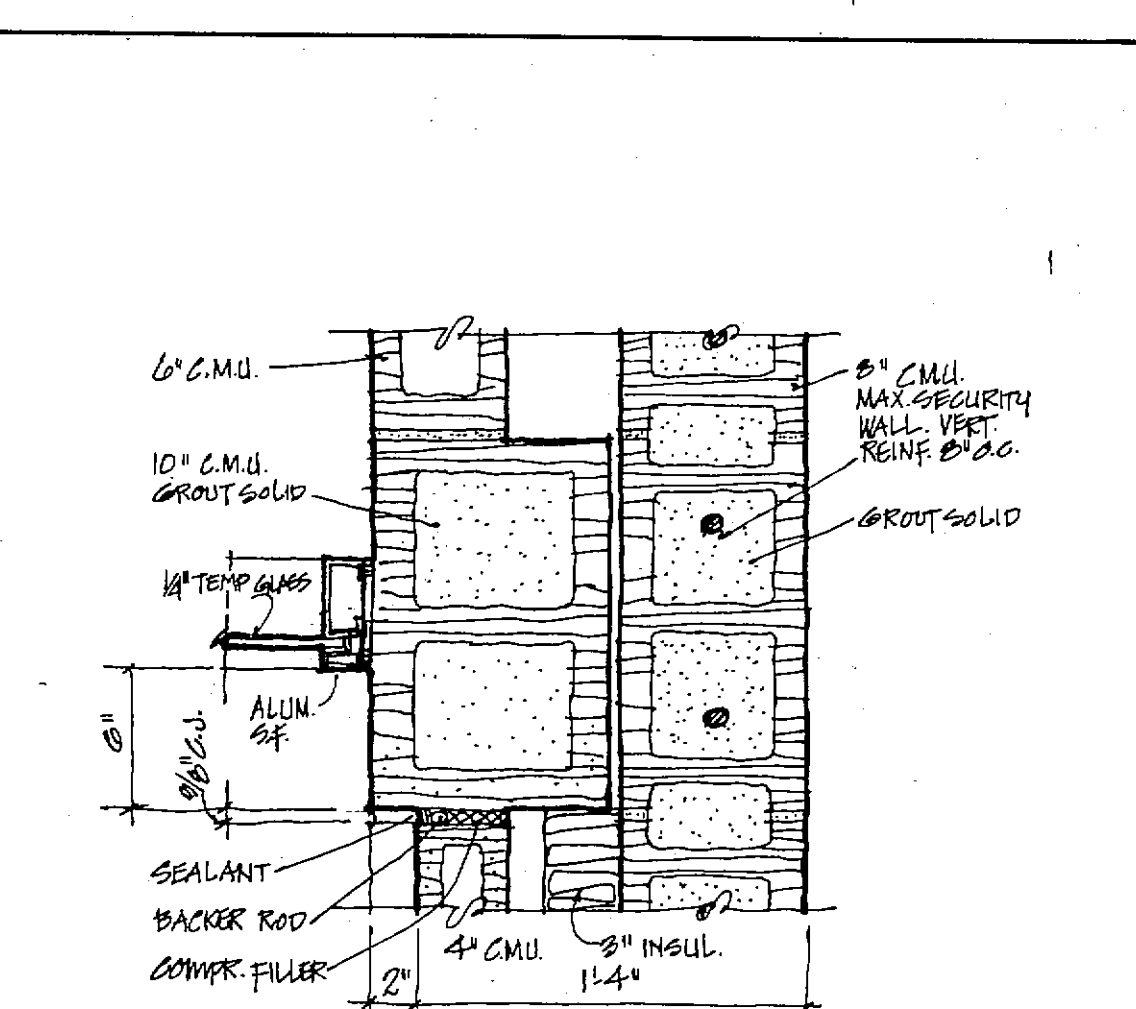
12J CANOPY DETAIL @ BUILDING
1 1/2" x 1'-0"



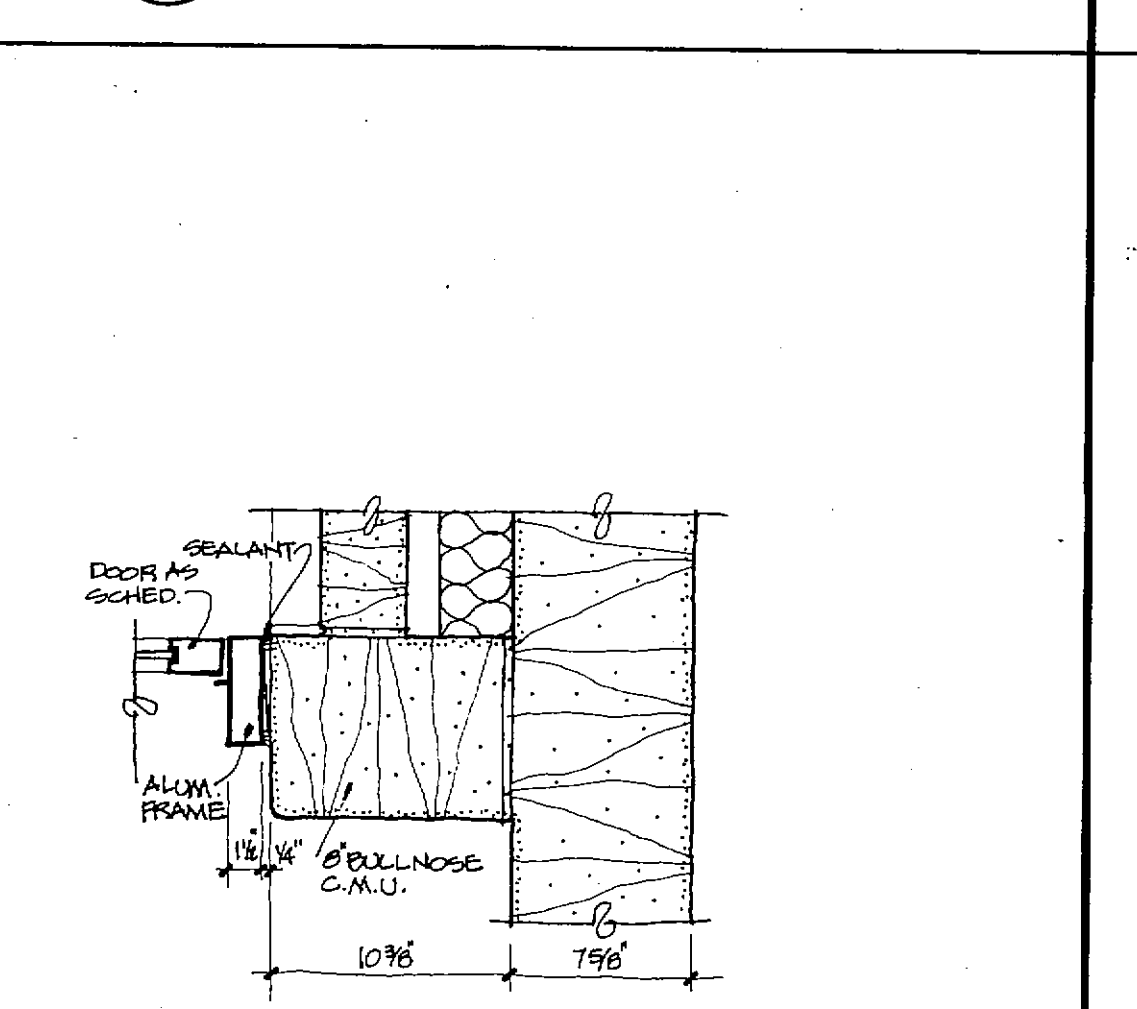
12K JAMB
1 1/2" x 1'-0"



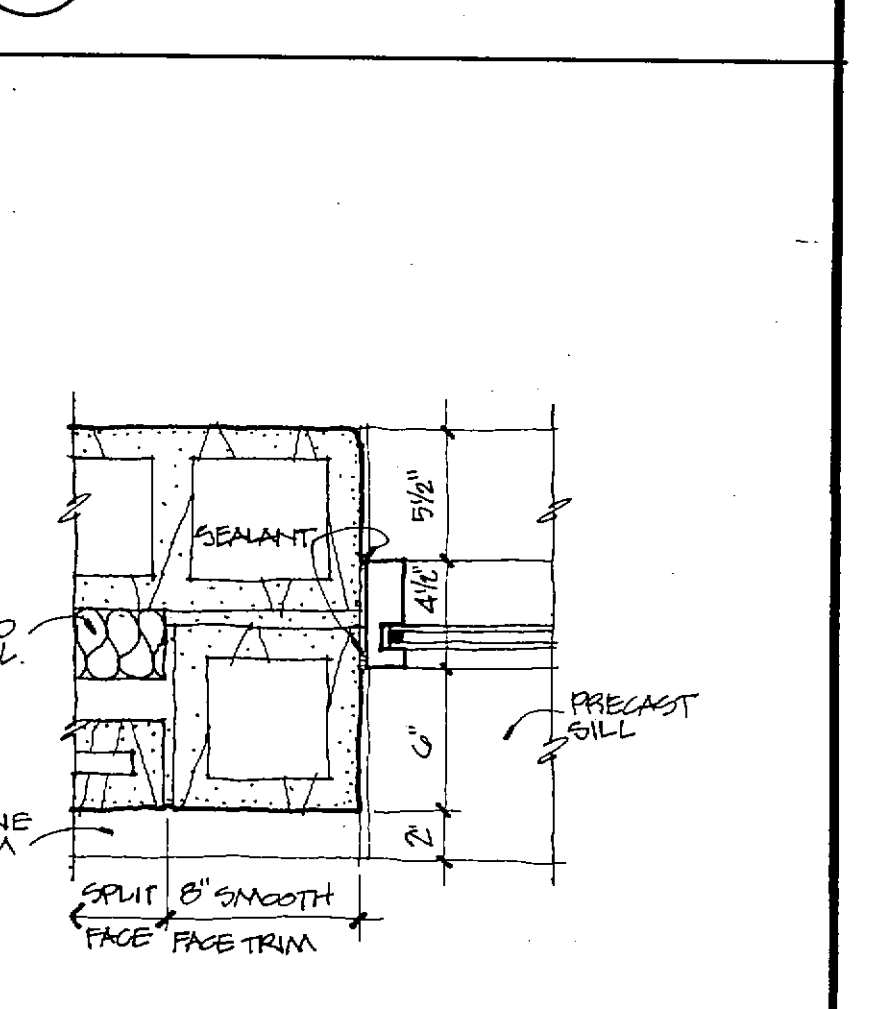
12L JAMB (OVERHEAD DOOR)
1 1/2" x 1'-0"



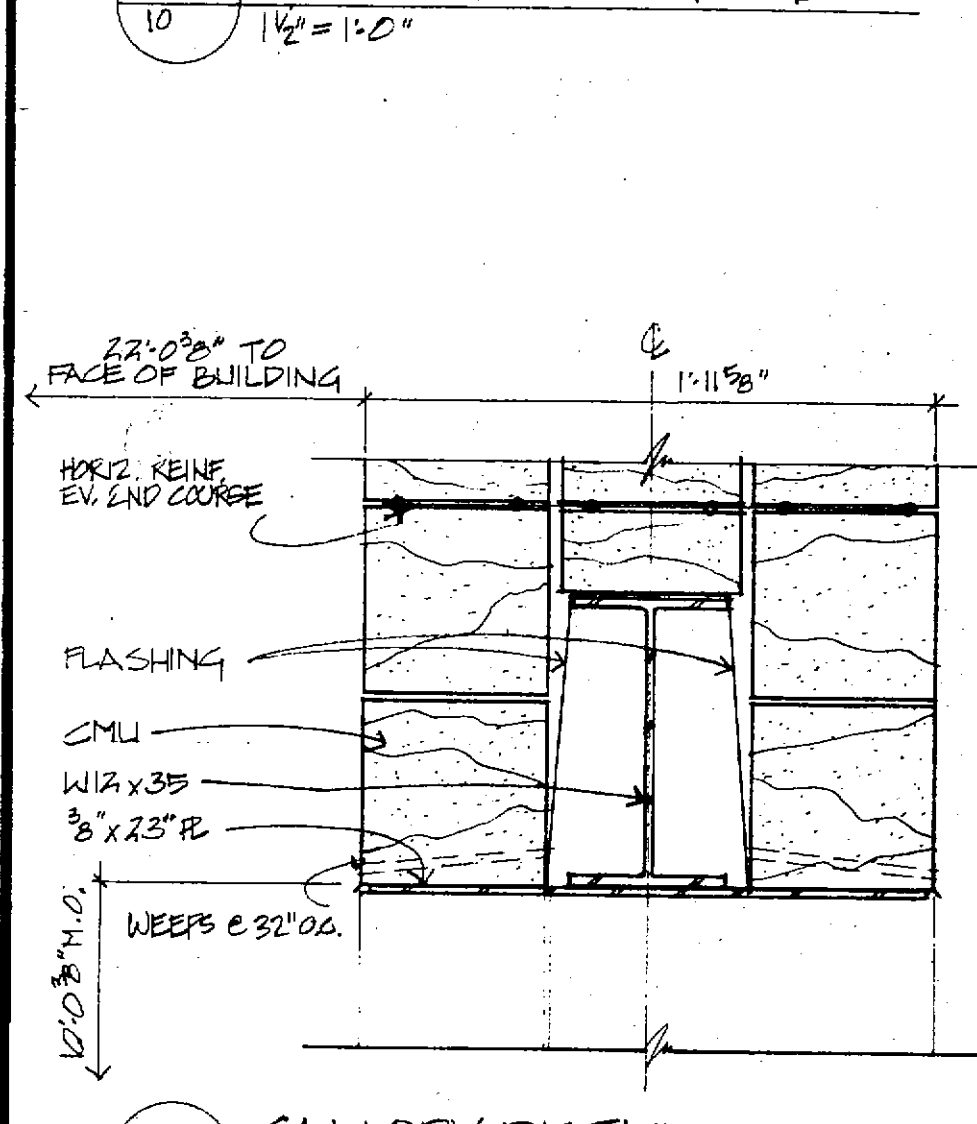
12M PLAN DETAIL
1 1/2" x 1'-0"



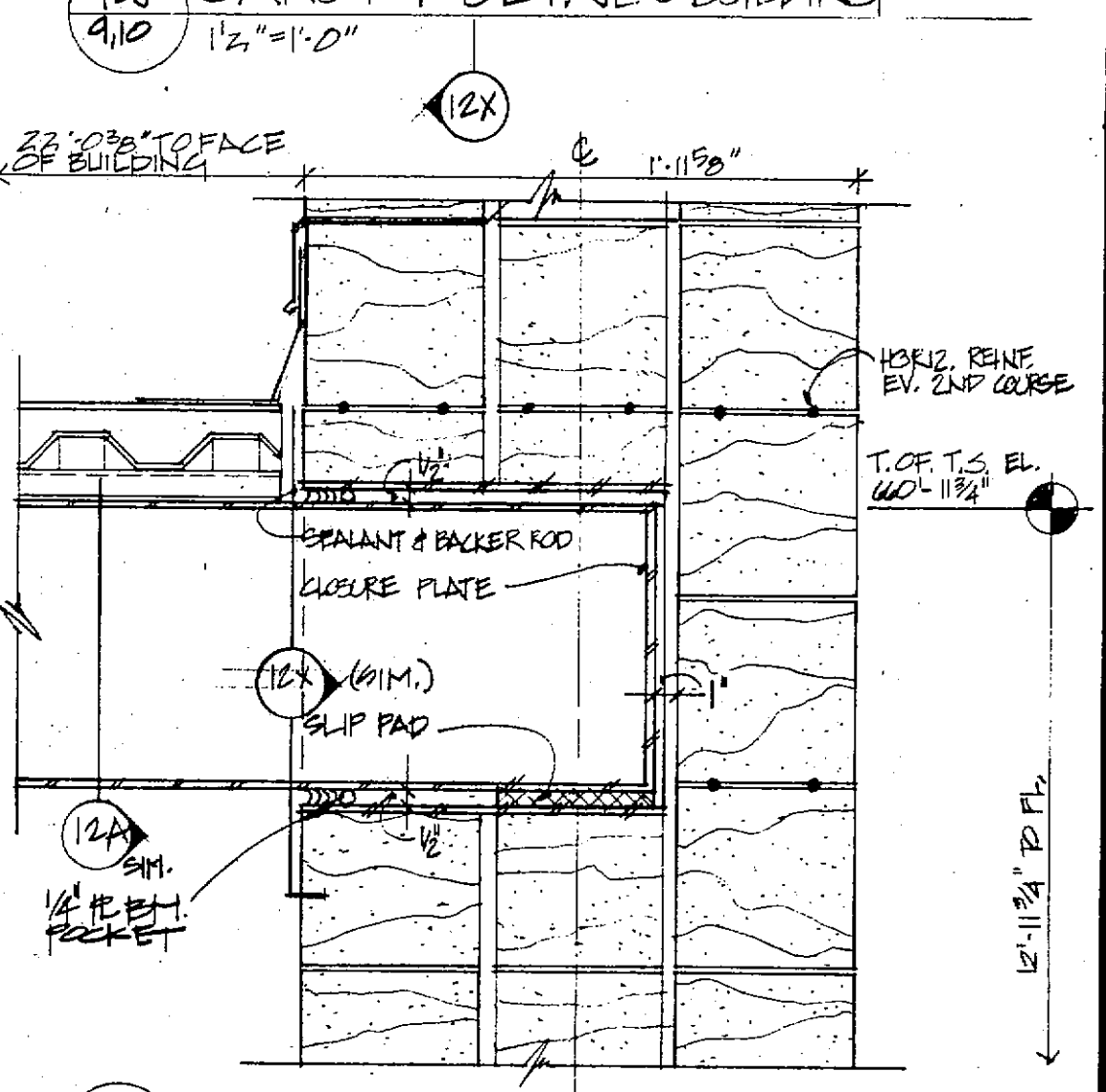
12N JAMB
1 1/2" x 1'-0"



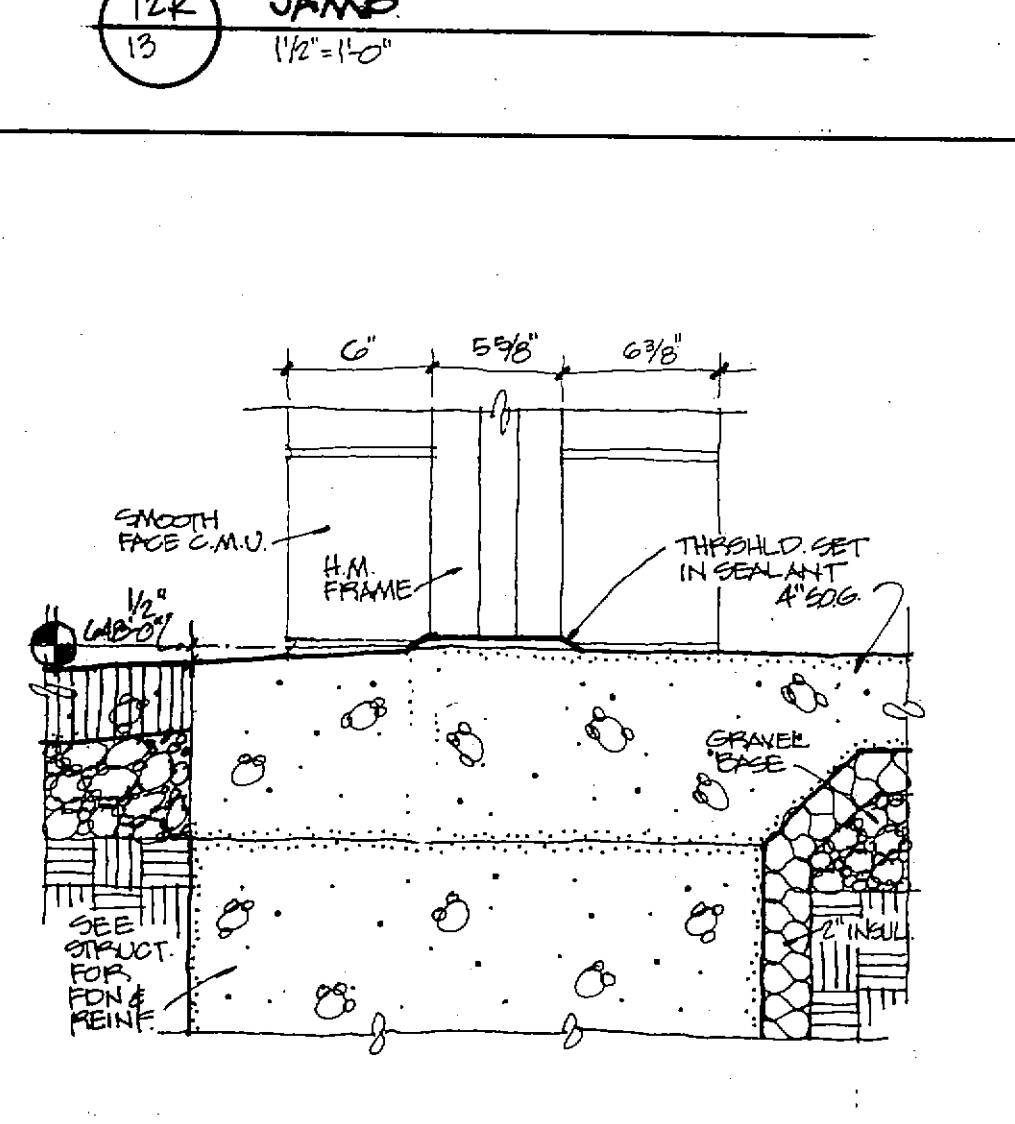
12P WINDOW JAMB DETAIL
1 1/2" x 1'-0"



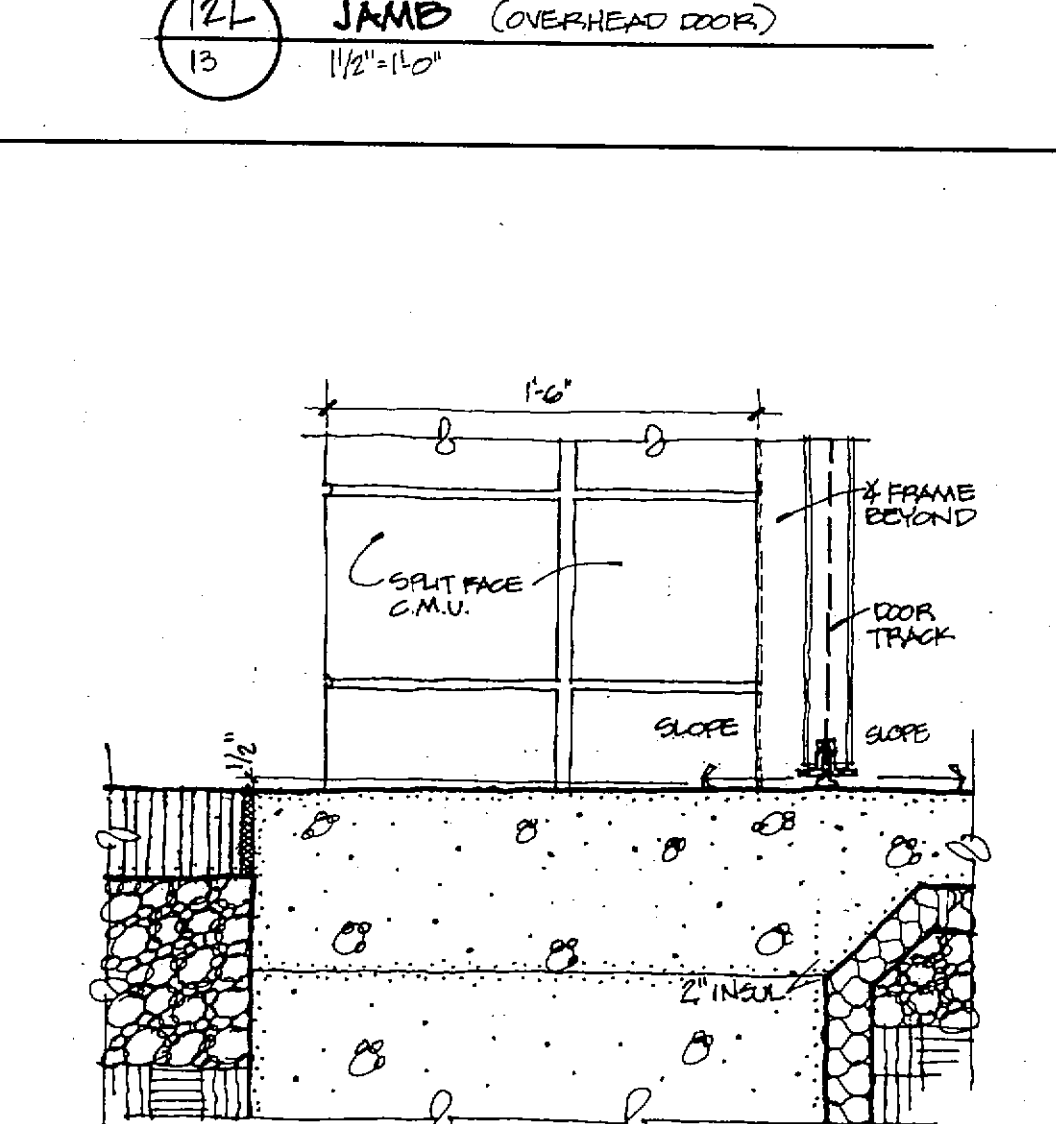
12Q CANOPY DETAIL
1 1/2" x 1'-0"



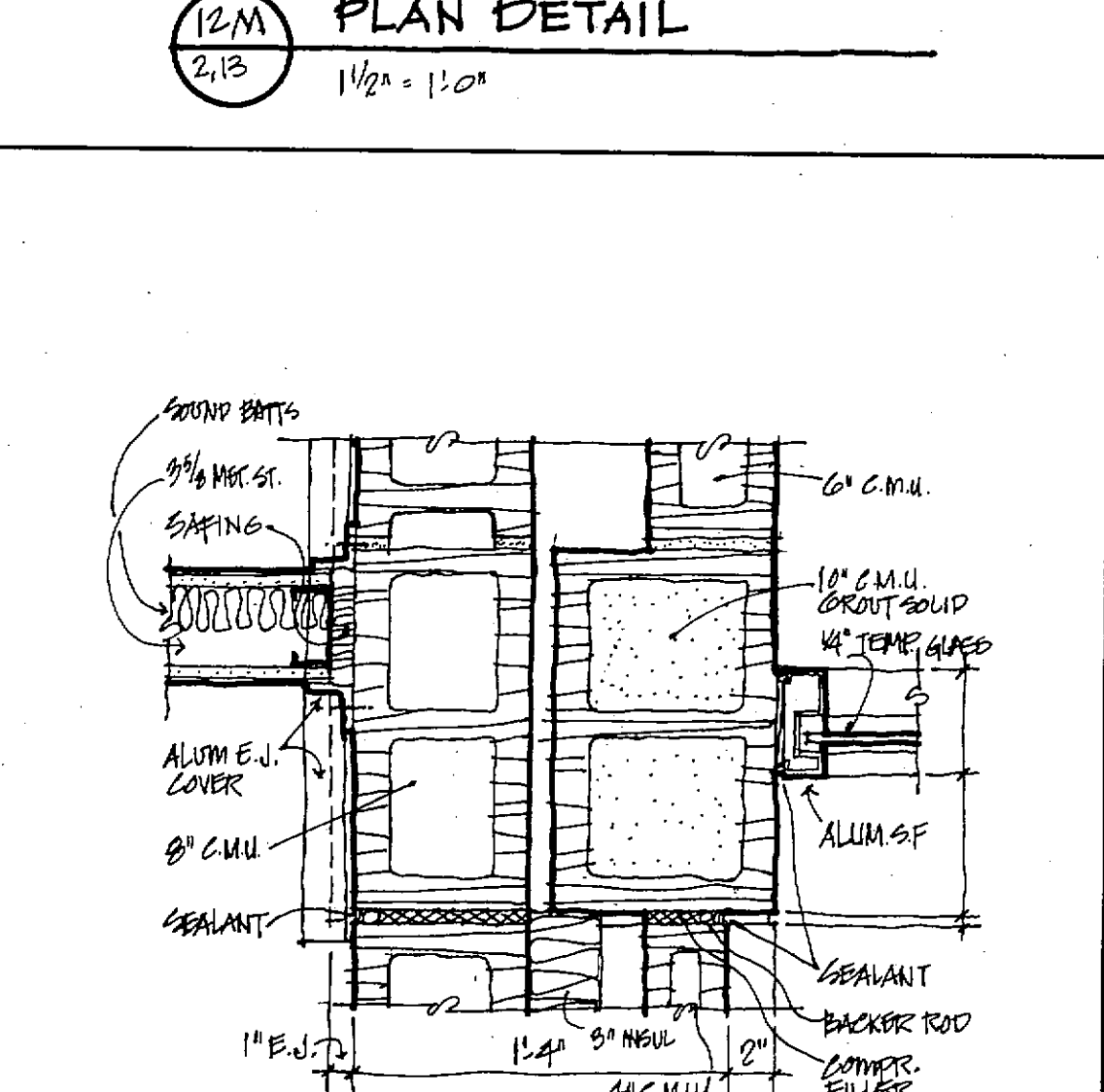
12R CANOPY DETAIL - RIDGE @ WALL
1 1/2" x 1'-0"



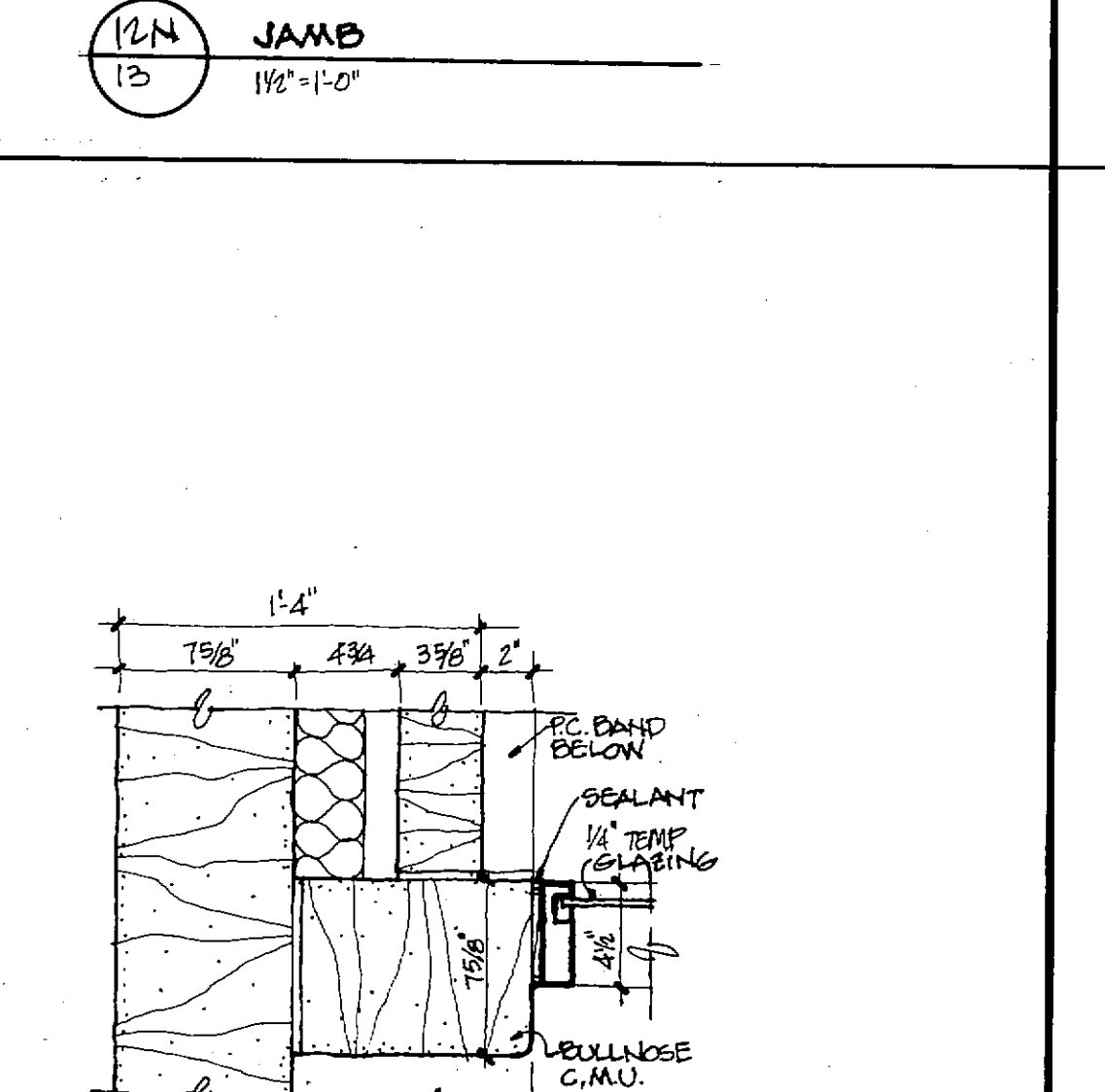
12S SILL
1 1/2" x 1'-0"



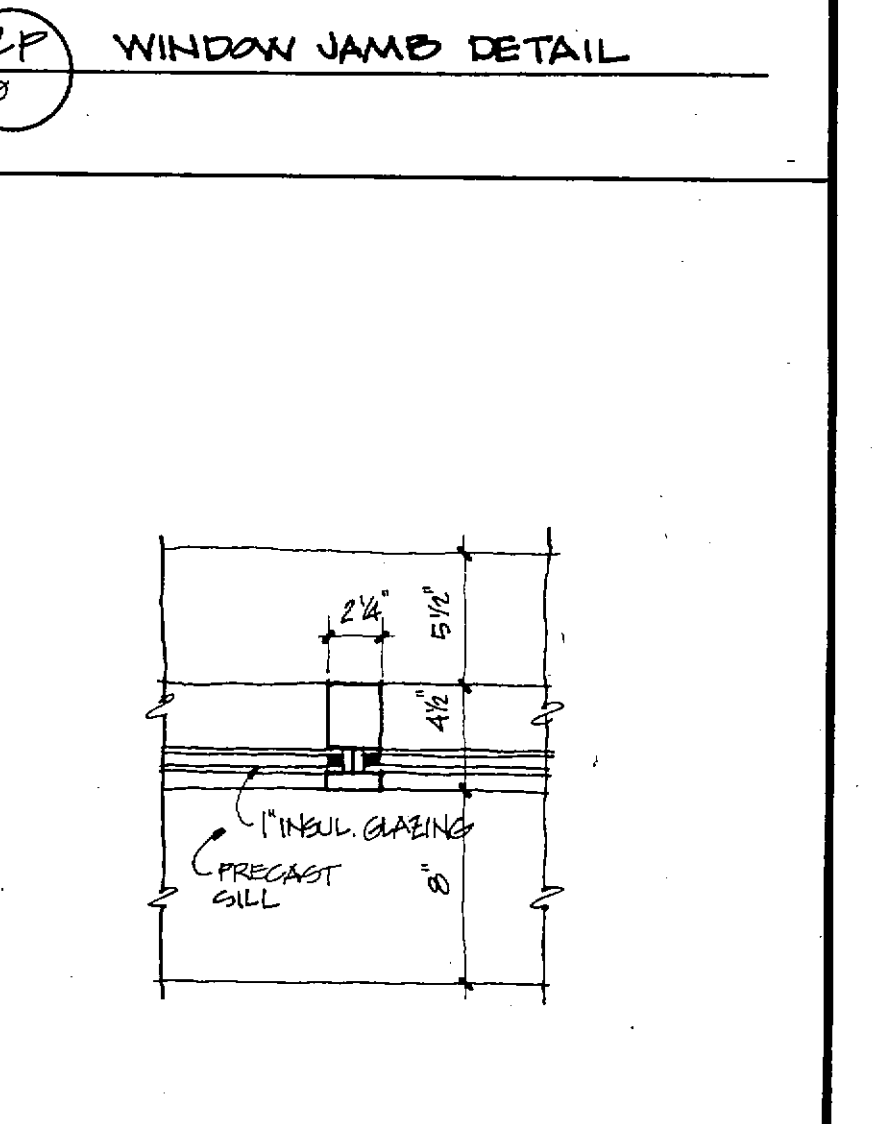
12T SILL (OVERHEAD DOOR)
1 1/2" x 1'-0"



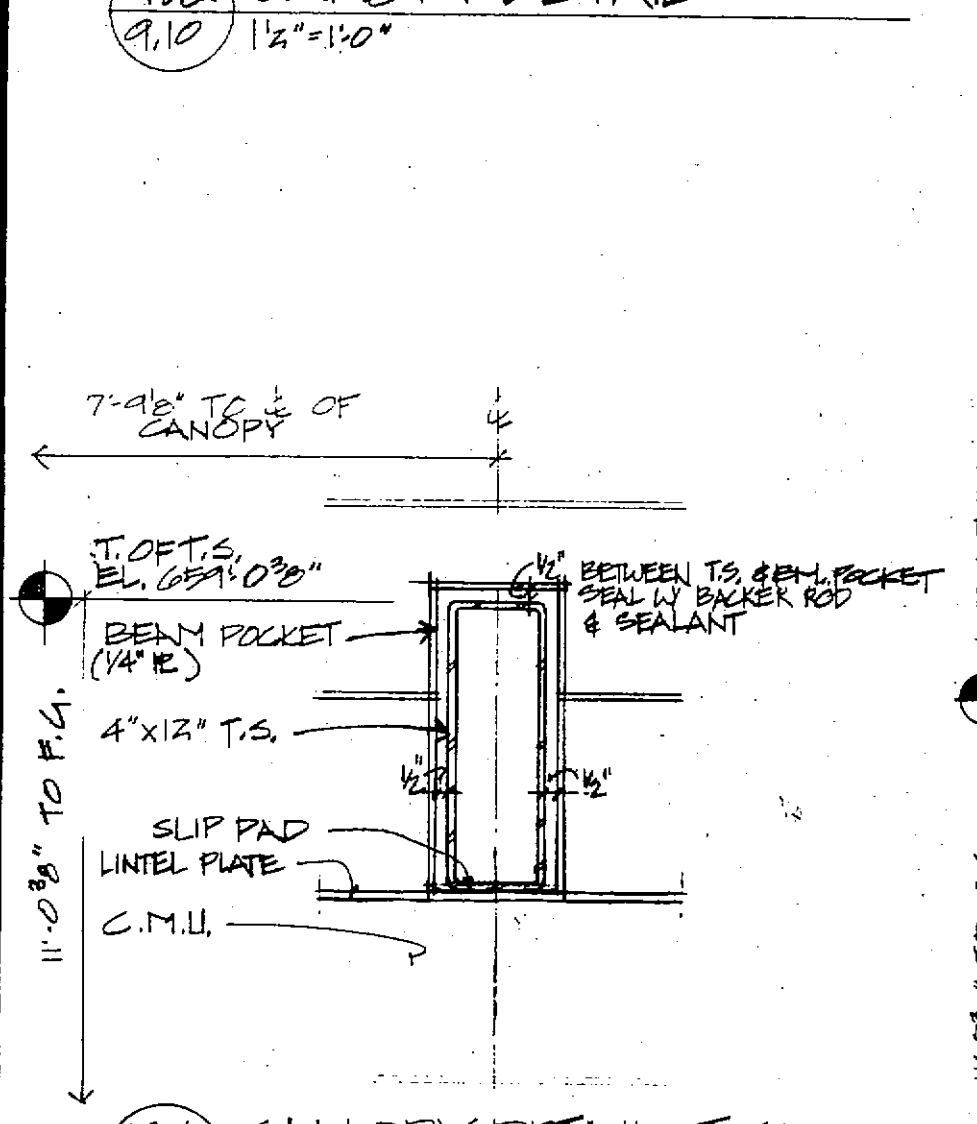
12U PLAN DETAIL
1 1/2" x 1'-0"



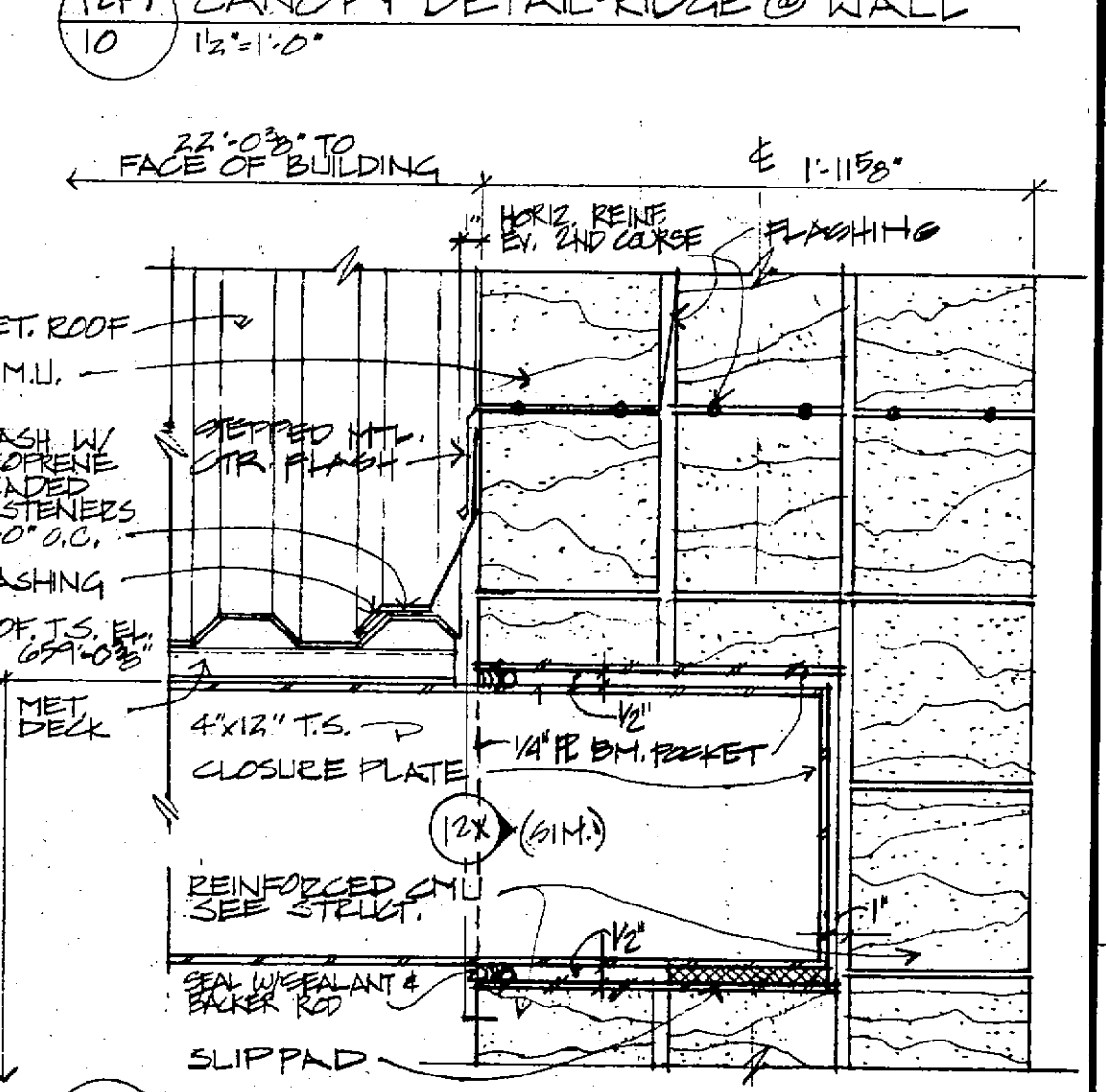
12V JAMB
1 1/2" x 1'-0"



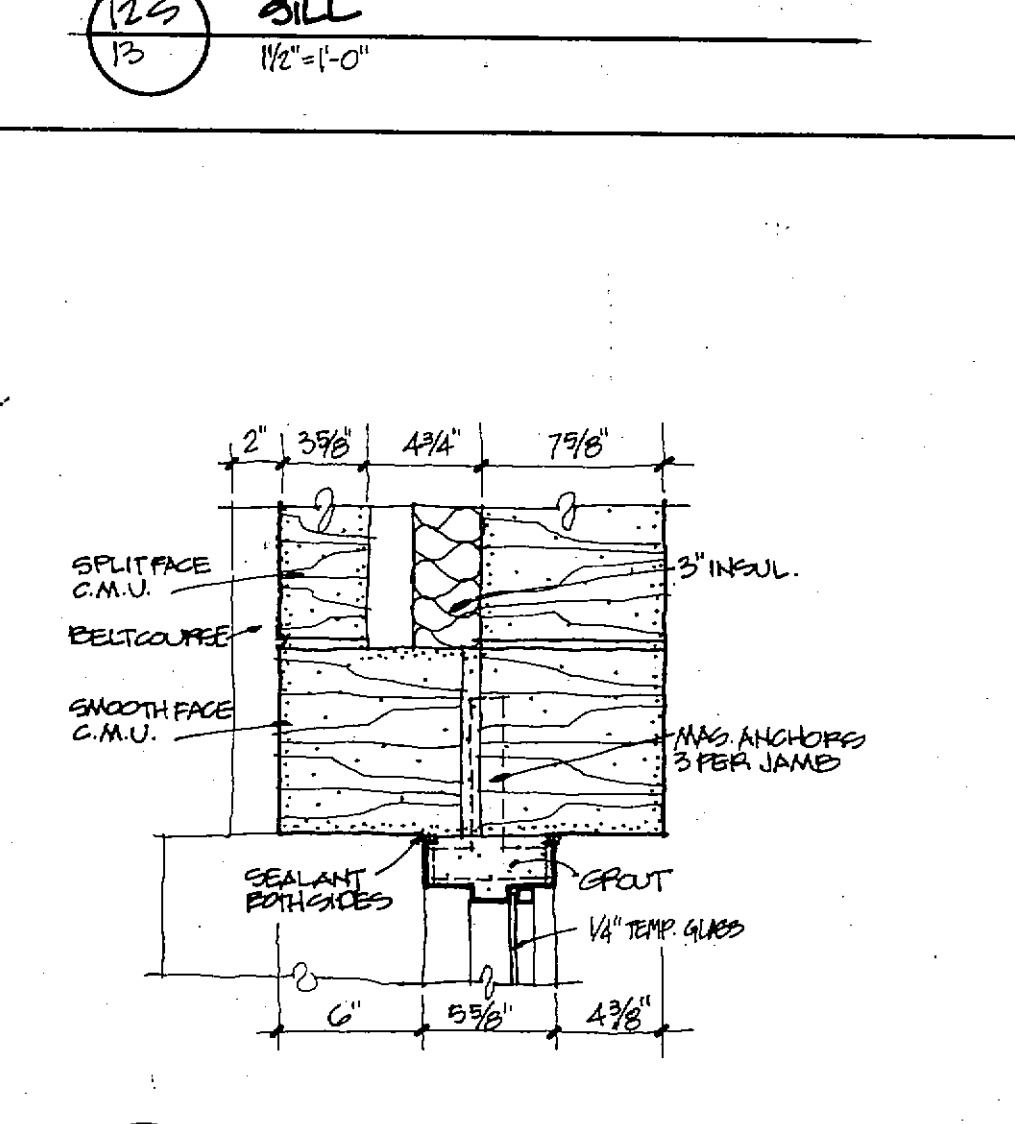
12W INTERMEDIATE VERT. MULLION
1 1/2" x 1'-0"



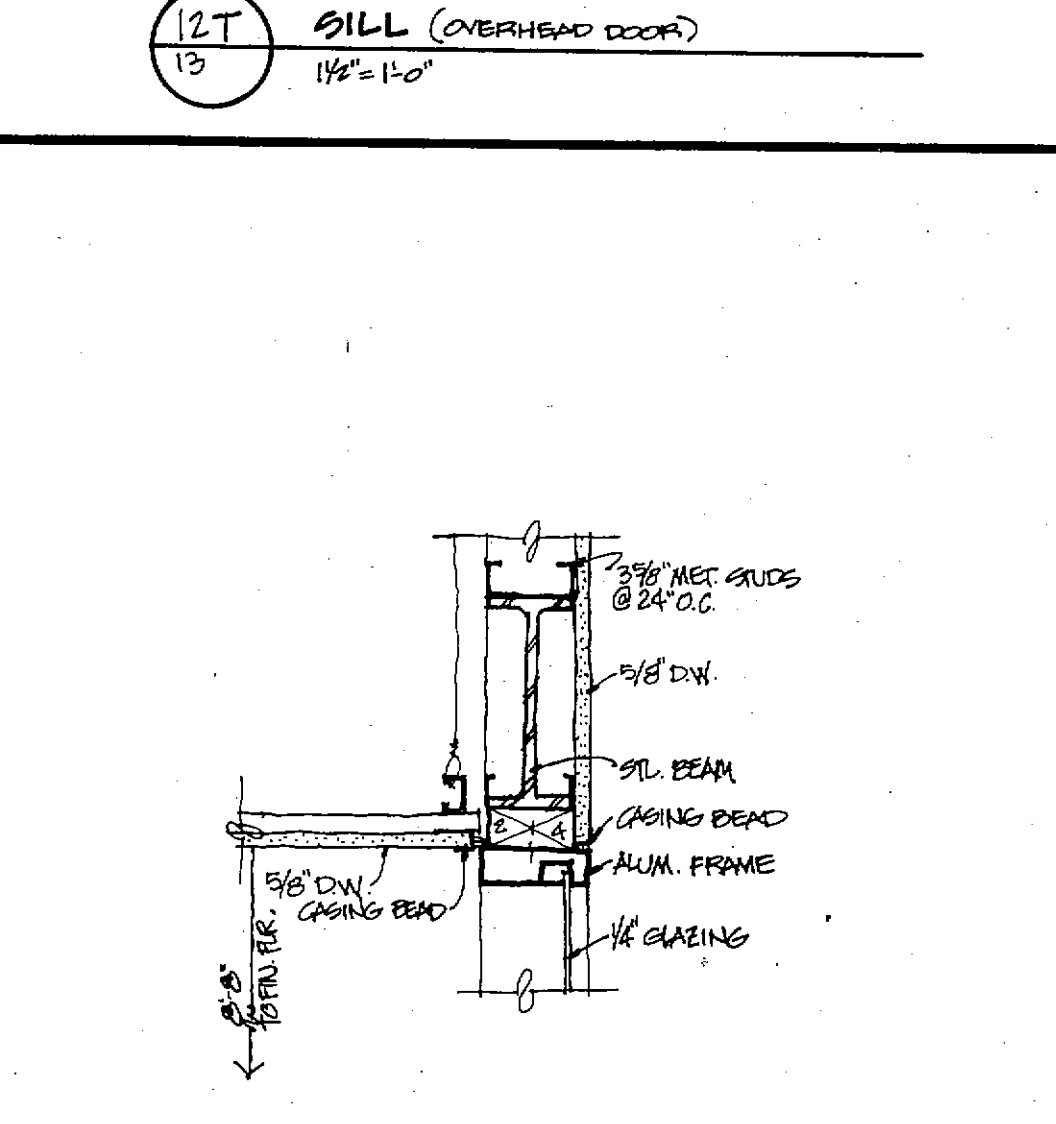
12X CANOPY DETAIL - T.S.
1 1/2" x 1'-0"



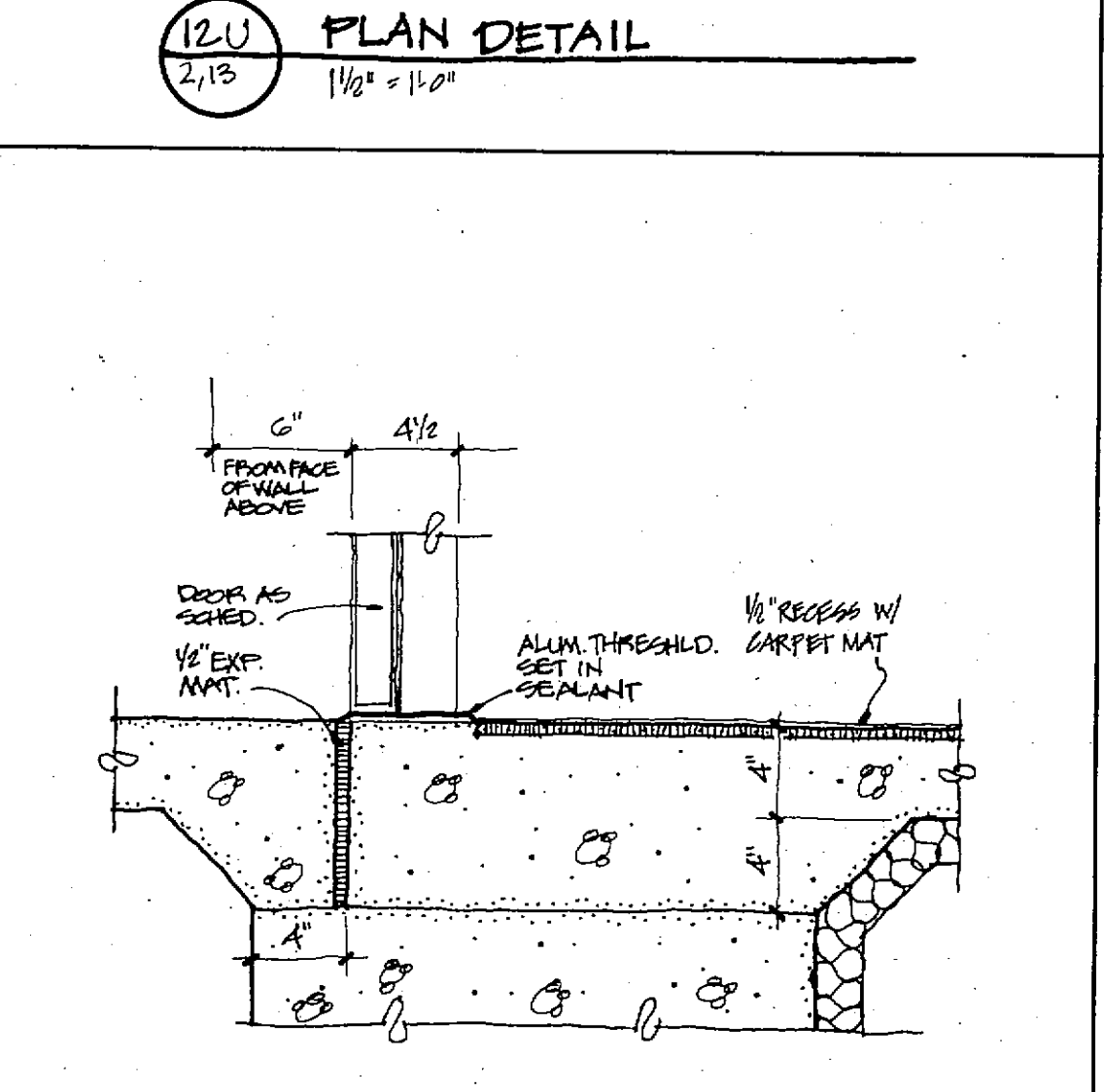
12Y CANOPY DETAIL @ WALL
1 1/2" x 1'-0"



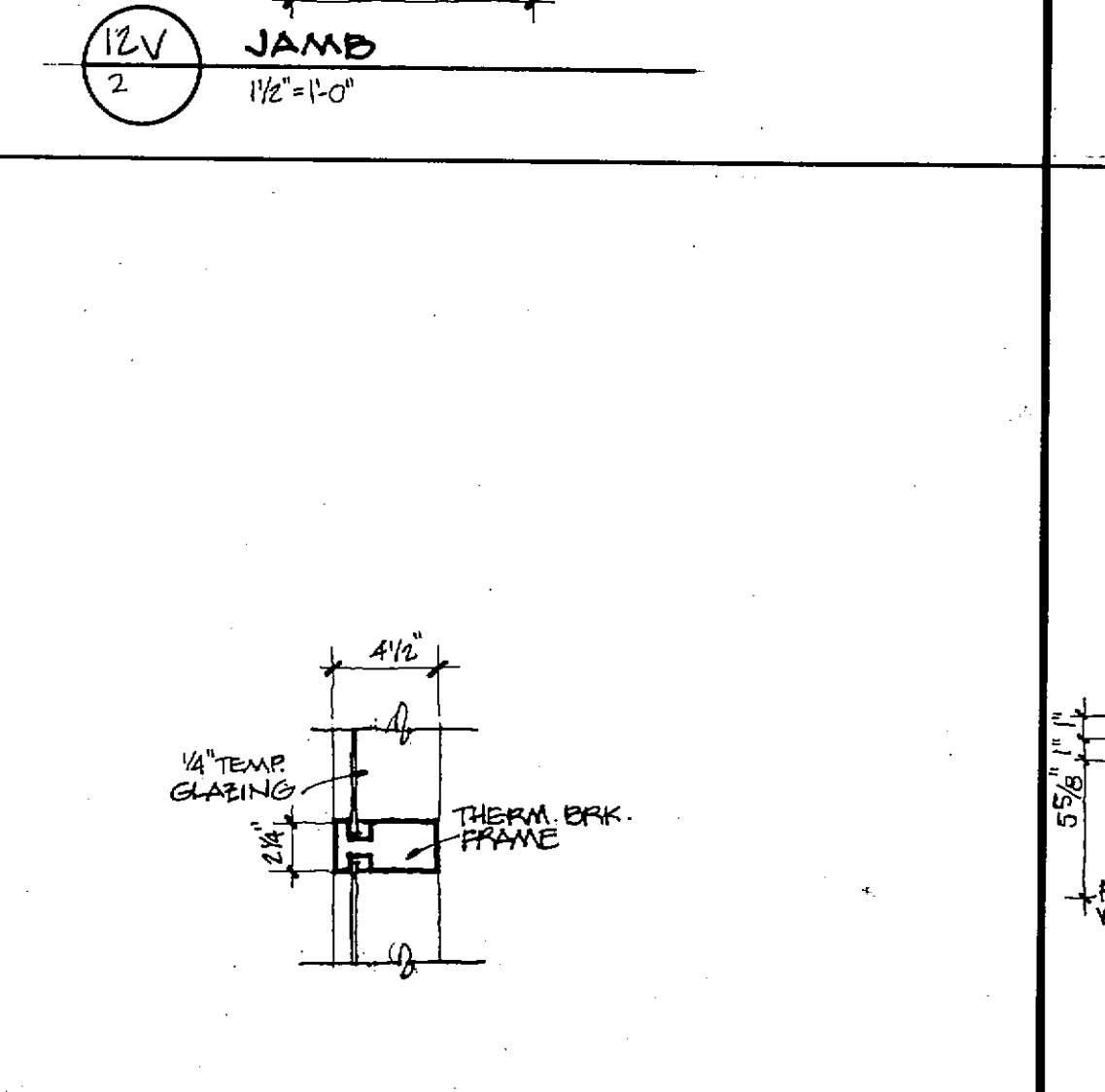
12Z JAMB
1 1/2" x 1'-0"



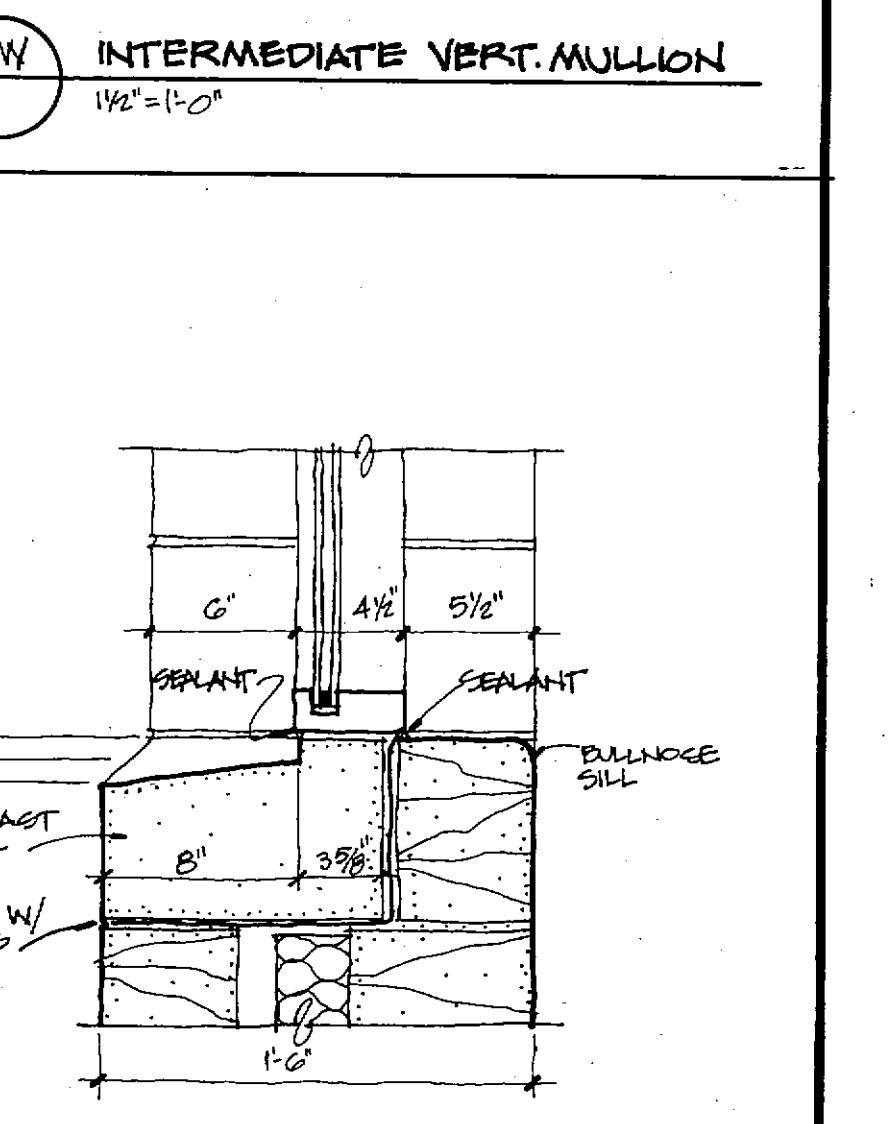
12AA HEAD @ INNER VESTIBULE DOORS
1 1/2" x 1'-0"



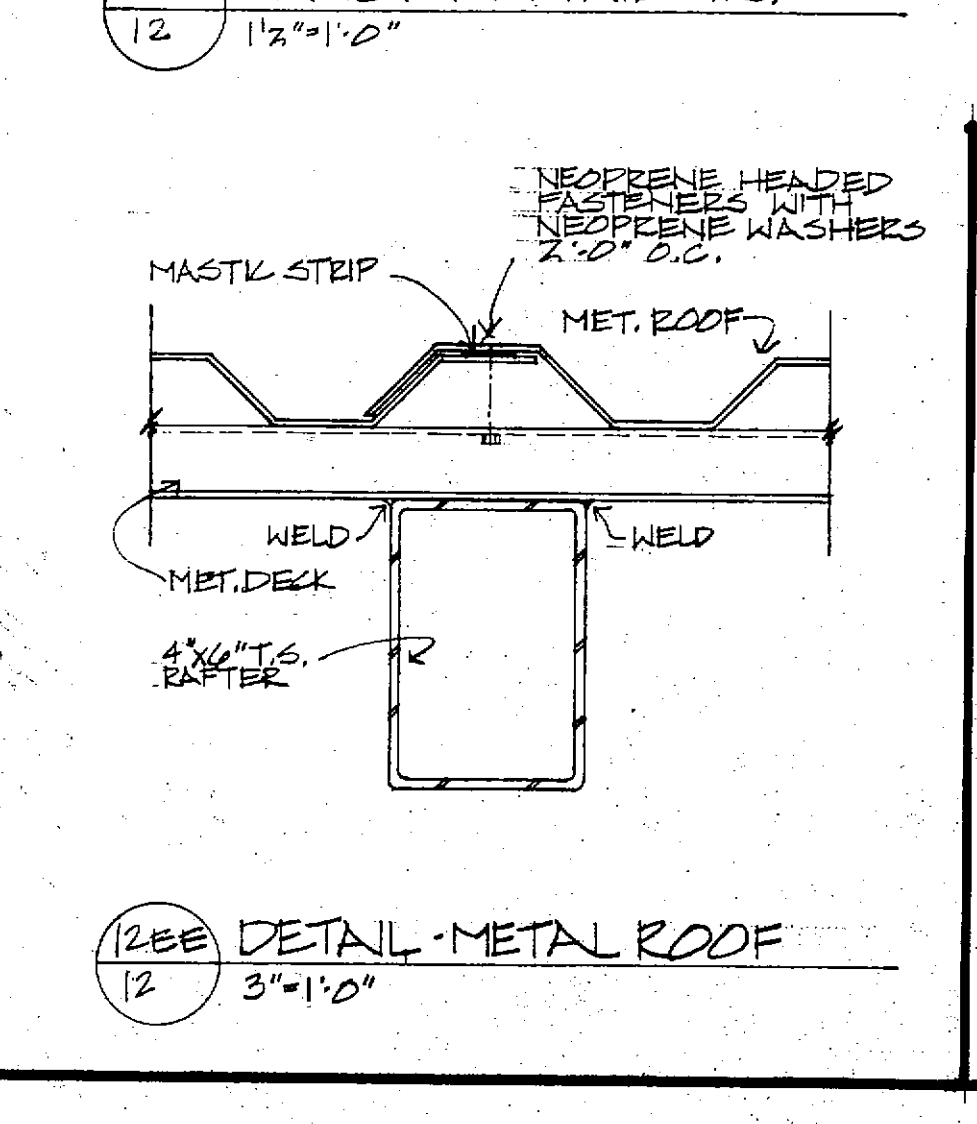
12AB SILL
1 1/2" x 1'-0"



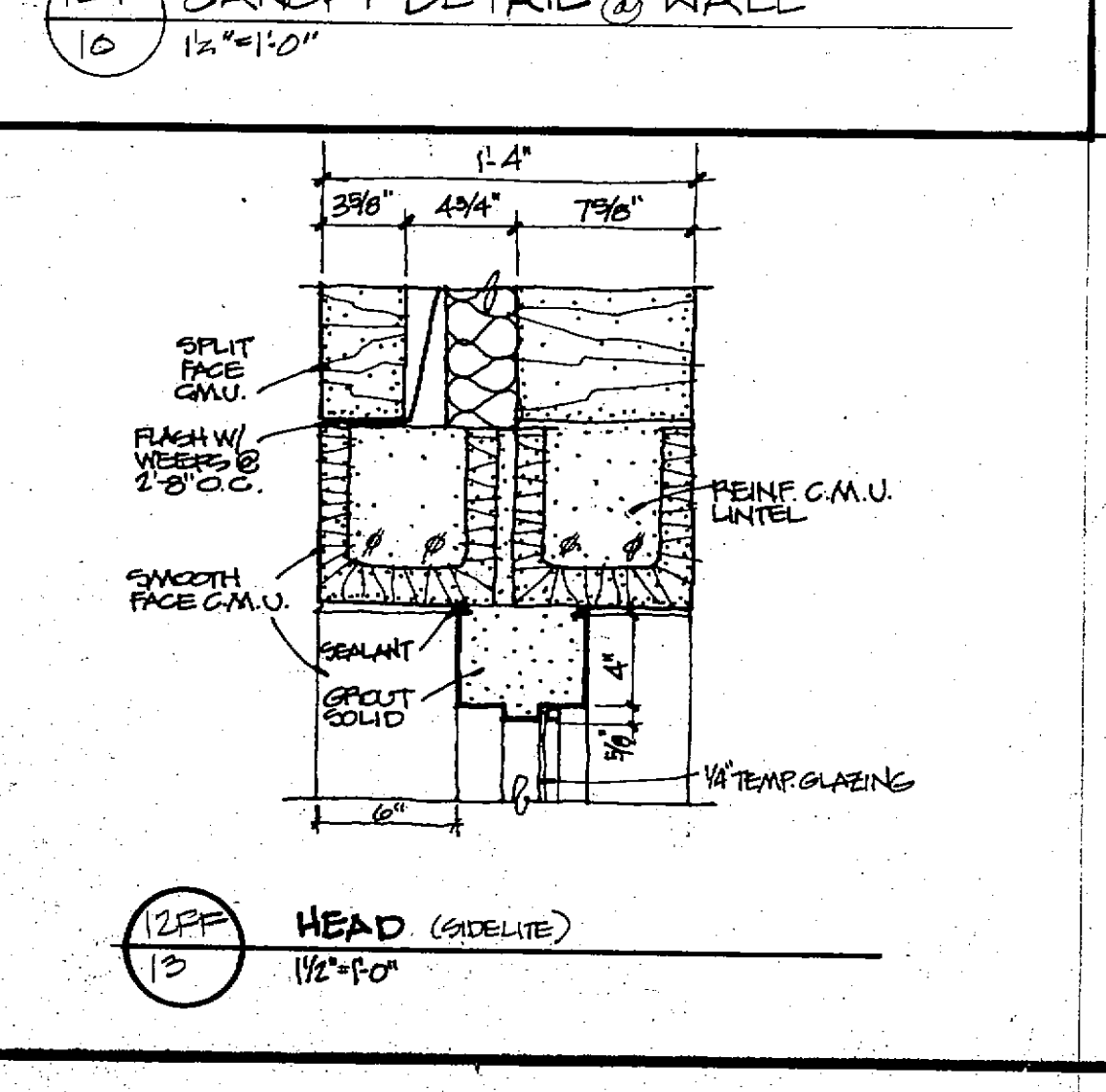
12AC MULLION (HORSE & VENE)
1 1/2" x 1'-0"



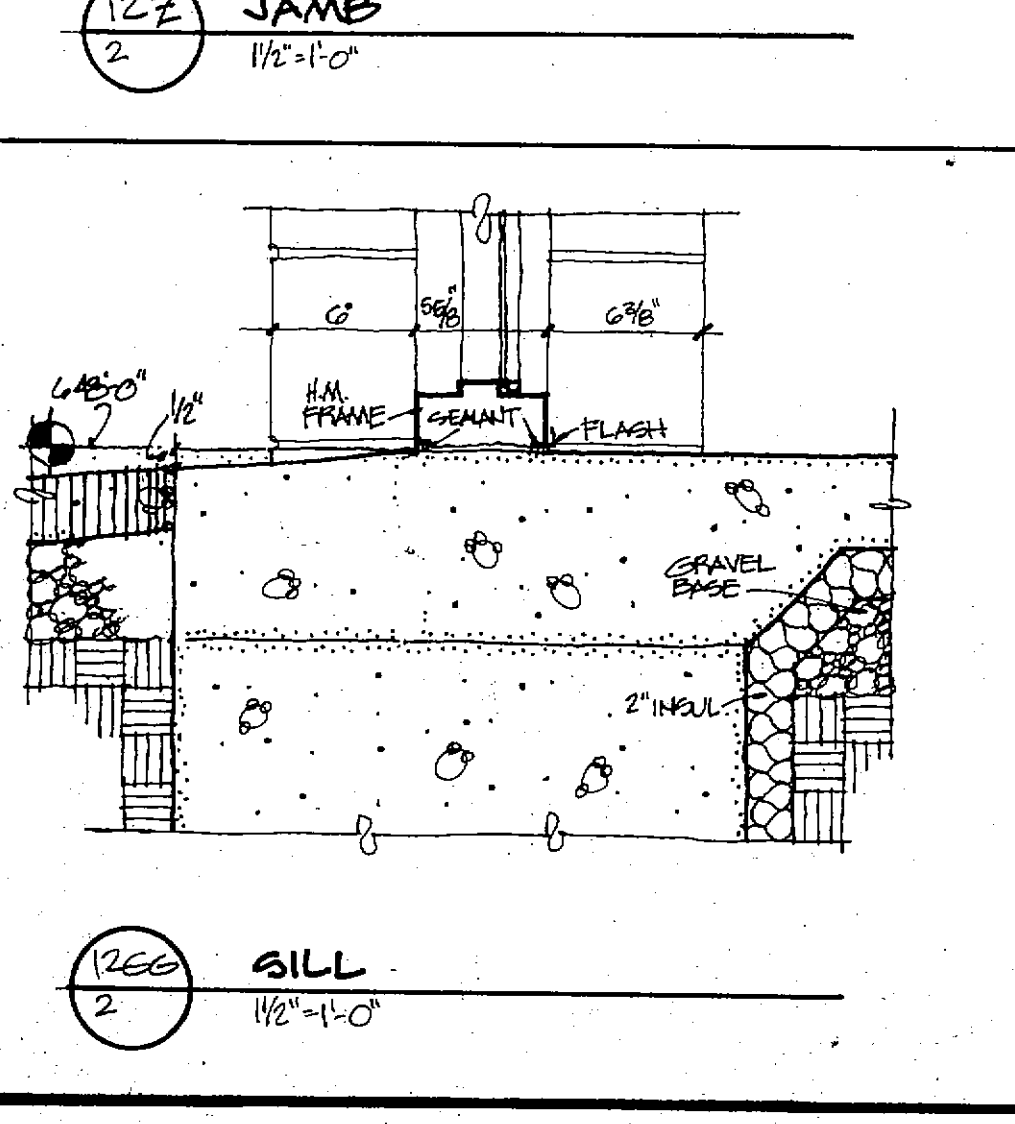
12AD WINDOW SILL DETAIL
1 1/2" x 1'-0"



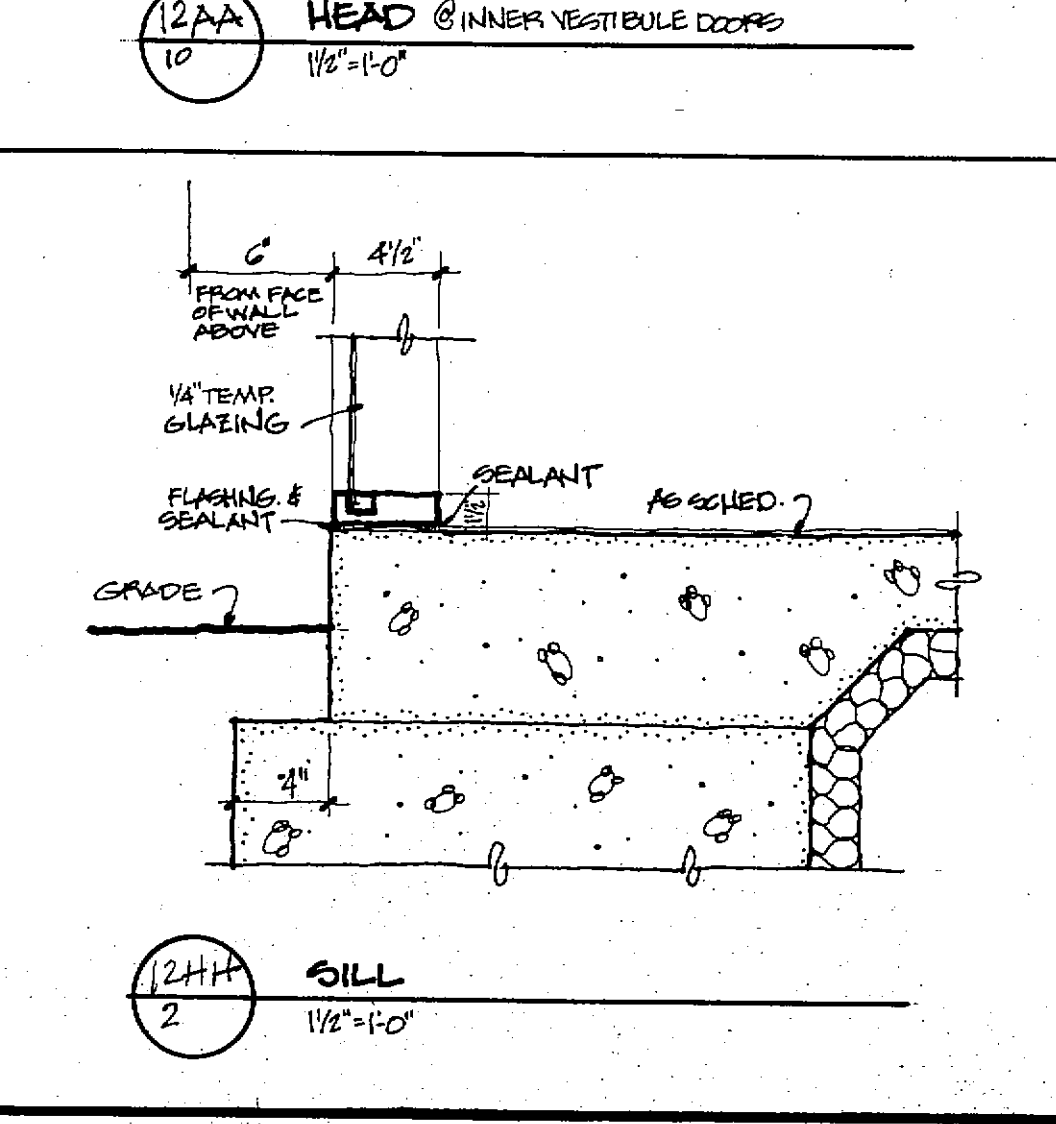
12BE DETAIL - METAL ROOF
1 1/2" x 1'-0"



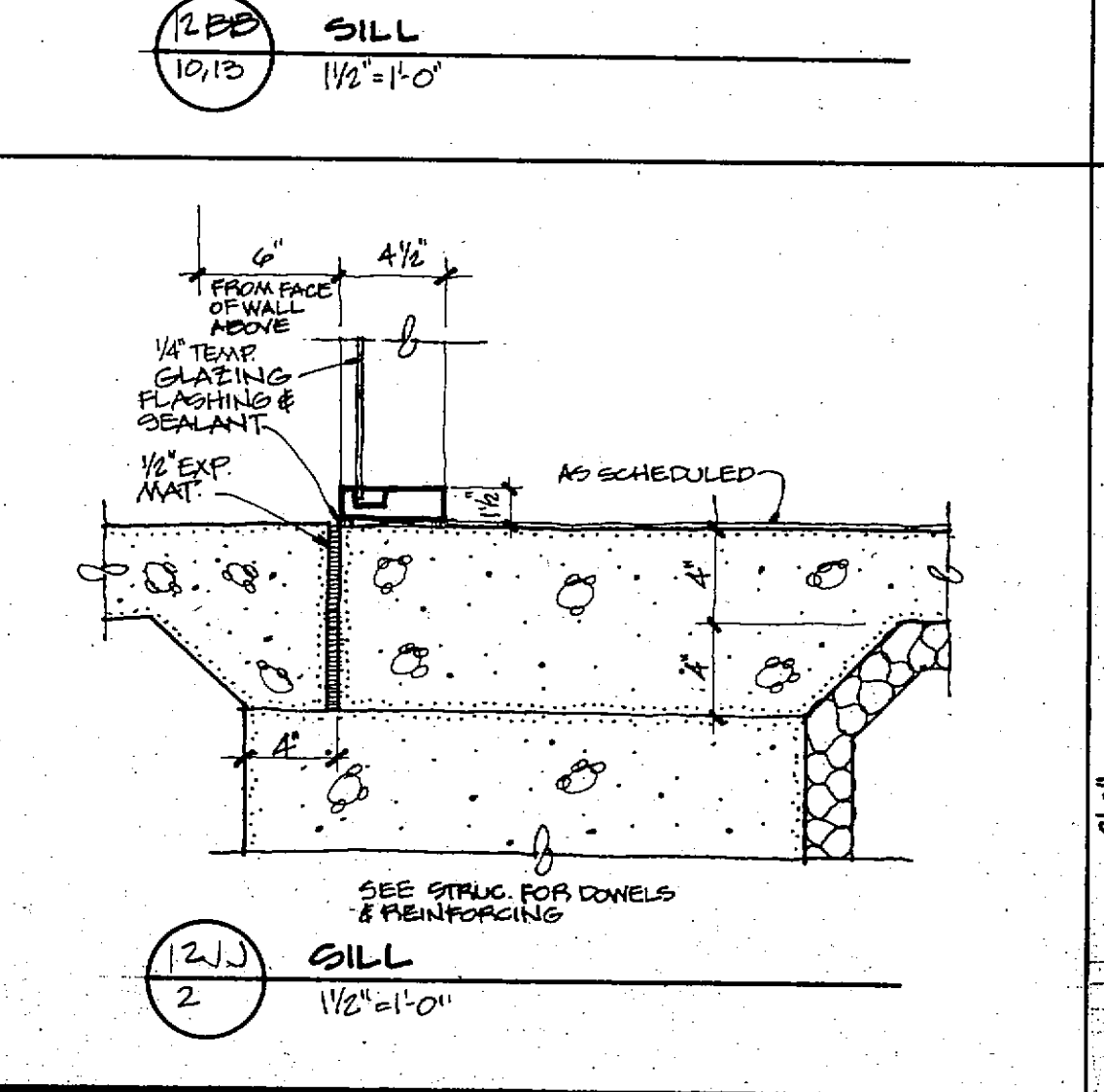
12BF HEAD (CONCRETE)
1 1/2" x 1'-0"



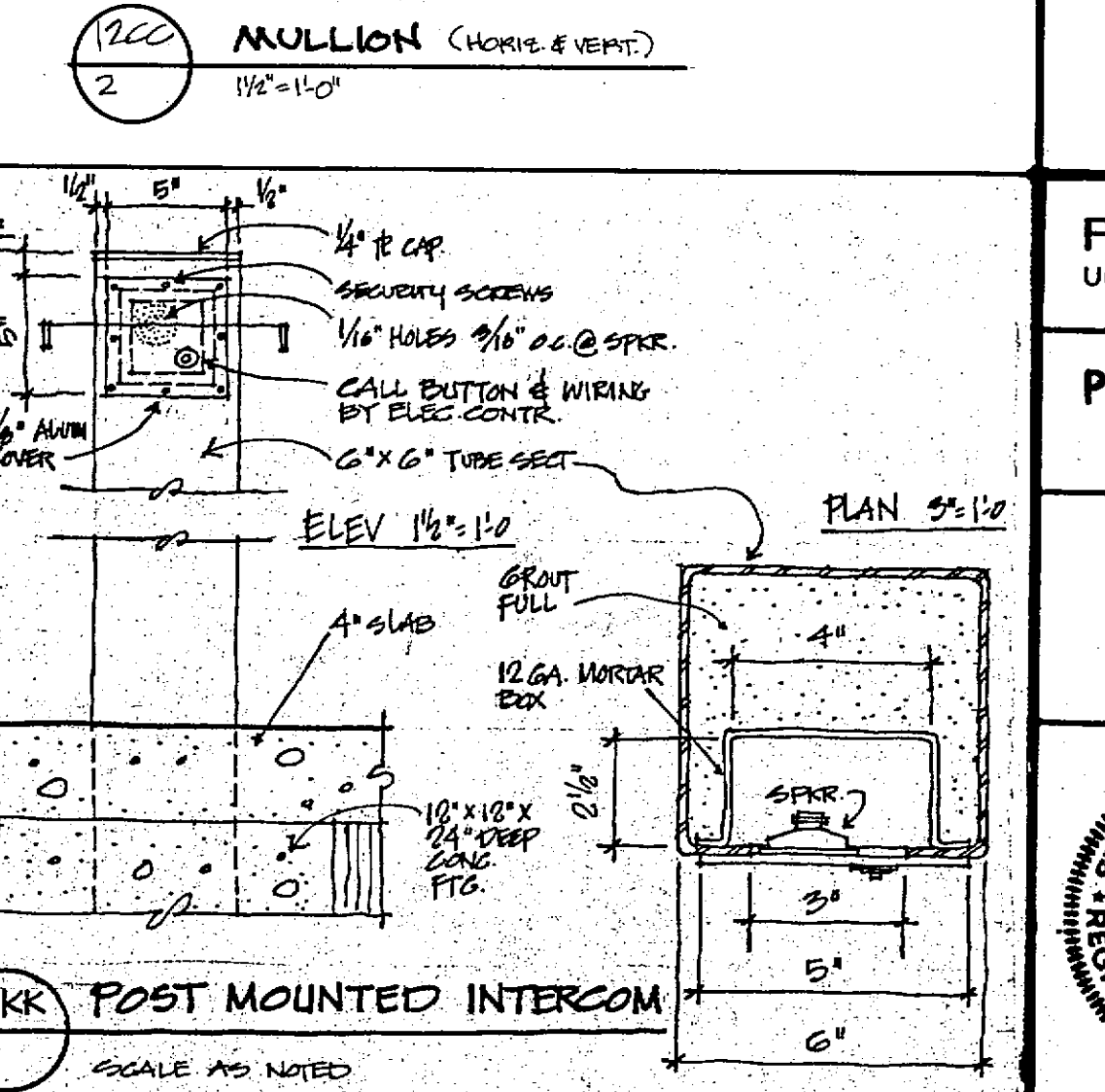
12CC SILL
1 1/2" x 1'-0"



12HH SILL
1 1/2" x 1'-0"



12JJ SILL
1 1/2" x 1'-0"



12KK POST MOUNTED INTERCOM
1 1/2" x 1'-0"

FRANKLIN COUNTY ADULT JAIL
UNION, MISSOURI

PEARCE CORPORATION
One Meritway Center
Saint Louis, Missouri 63101

Siebold, Sydow & Eitanbaum Inc.
Structural Engineers
Colton/Lester/Niederhorn Associates, Inc.
Mechanical & Electrical Engineers
Walker McQuinn Foltz Lyster, P.S.
Security Consultants

STATE OF MISSOURI
REGISTERED ARCHITECT

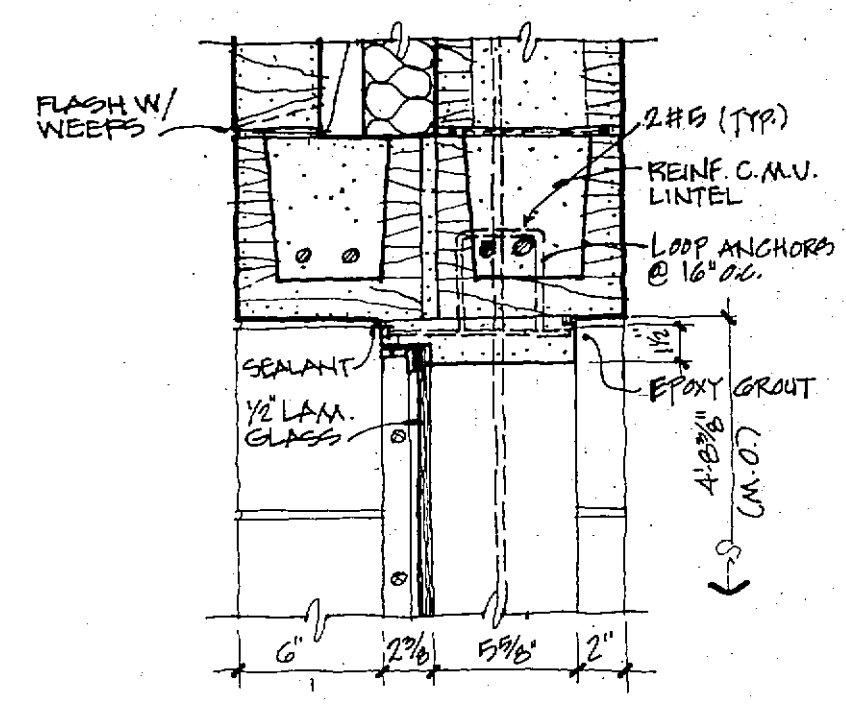
DAVID W. PEARCE
NUMBER A-1191

PROJ. NO. BA-07-1-08
DATE MARCH 22, 1985

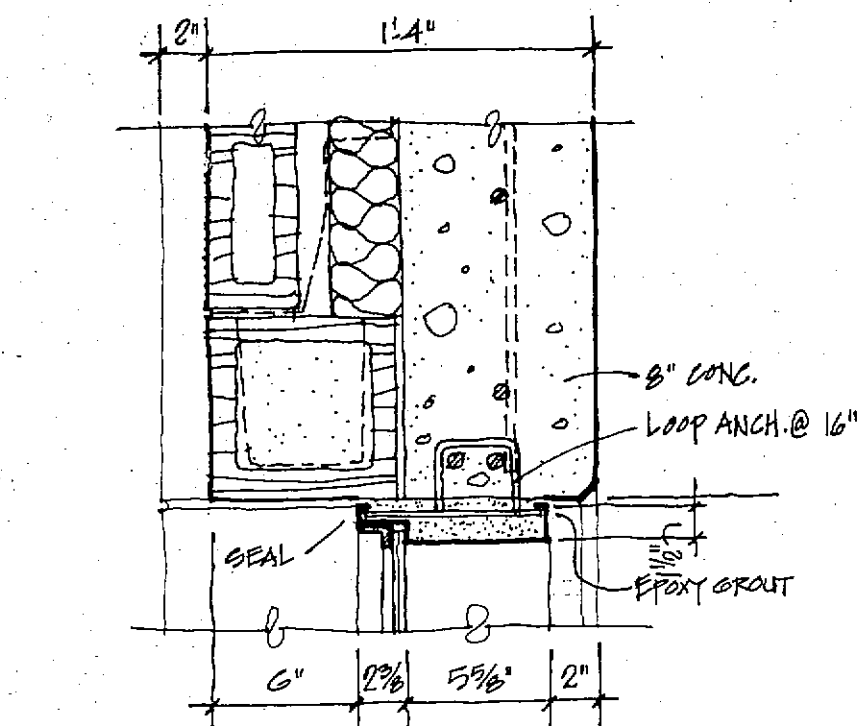
12

SCALE AS NOTED

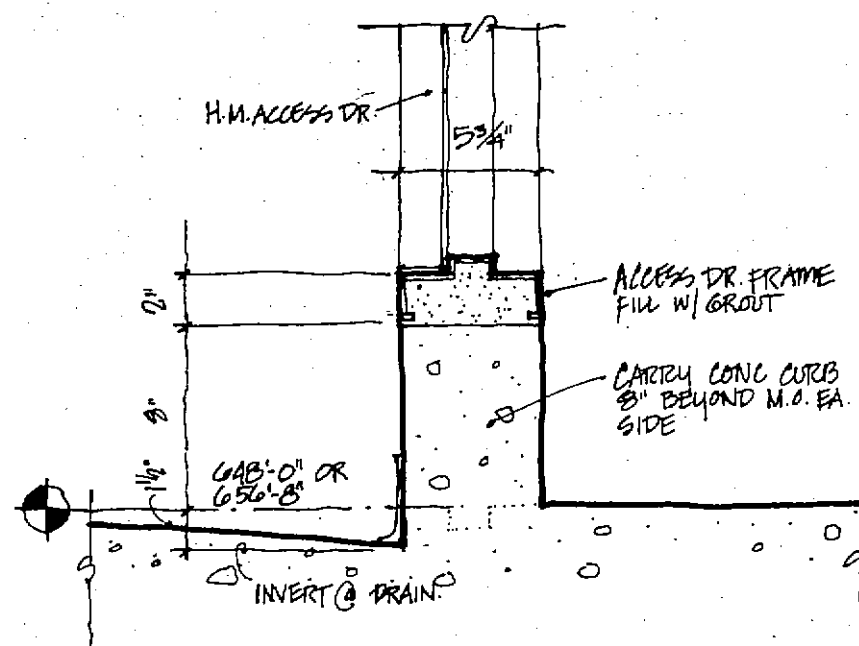
DOOR SCHEDULE												DOOR SCHEDULE											
DOOR	FROM	TO	FINISH	SIZE	HEAD	JAMB	SILL	GLASS	REMARKS	DOOR	FROM	TO	FINISH	SIZE	HEAD	JAMB	SILL	GLASS	REMARKS				
1	EXT	1	LHR	FR. 3'-0" x 7'-0"	A	13E	SIM	120B	1A	97	133	135	RH	3'-0" x 7'-0"	E	13C	134	--	30 20 MIN.				
2	1	2	LHR	FR. 3'-0" x 7'-0"	A	13E	SIM	120B	1B	98	EXT.	133	LHR	3'-0" x 7'-0"	E	13C	125	14	Insulated Door				
3	2	4	LH	2'-10" x 7'-0"	F	13A	13B	--	2	99	EXT.	133	--	10'-0" x 11'-0"	J	12D	12L	12T	15	Insulated Door			
4	3	5	LH	2'-10" x 7'-0"	F	13A	13B	--	2	100	EXT.	148	RHR	3'-0" x 7'-0"	E	13C	12K	12S	14	Insulated Door			
5	3	6	LH	2'-6" x 7'-0"	F	13A	13B	--	3A	101	154	148	LHR	3'-0" x 7'-0"	E	13A	13B	--	4A	Insulated Door			
6	7	8	LHR	3'-0" x 7'-0"	F	13V	13X	--	4A	102	148	149	RHR	3'-0" x 7'-0"	E	13G	13H	--	6C	20 MIN.			
7	13	12	LH	3'-0" x 7'-0"	F	13E	13M	--	3A	103	EXT.	154	--	10'-0" x 8'-4"	J	12D	12L	12T	15	Insulated Door			
8	11	12	--	10'-0" x 8'-4"	--	13K	13N	--	3C	104	EXT.	155	--	10'-0" x 8'-4"	J	12D	12L	12T	15	Insulated Door			
9	13	12	--	10'-0" x 8'-4"	--	13K	13N	--	3C	105	EXT.	155	--	10'-0" x 8'-4"	J	12D	12L	12T	15	Insulated Door			
10	14	15	RHR	3'-0" x 7'-0"	F	13V	13X	--	5B	106	EXT.	155	--	10'-0" x 8'-4"	J	12D	12L	12T	15	Insulated Door			
11	15	16	LH	2'-6" x 7'-0"	F	13M	13P	--	6A	107	155	156	--	10'-0" x 8'-4"	J	12D	12L	12T	15	Door Position Indicator			
12	14	17	LHR	3'-0" x 7'-0"	F	13V	13X	--	3A	108	155	158	RH	3'-0" x 7'-0"	E	13A	13B	--	14	Door Position Indicator			
13	9	10	LHR	3'-0" x 7'-0"	F	13V	13X	--	3C	109	89	94	--	6'-8" x 7'-0"	L	13EE	13EE	--	16	20 MIN. Elec. Unlock			
14	9	83	RH	3'-0" x 7'-0"	F	13O	13Q	--	4C	110	159	158	LH	3'-0" x 7'-0"	F	13M	13P	--	9D	C Label			
15	18	19	LHR	3'-0" x 7'-0"	F	13V	13X	--	3B	111	159	156	RH	3'-0" x 7'-0"	F	13M	13P	--	5B	C Label			
16	20	21	LHR	3'-0" x 7'-0"	F	13E	13M	--	3A	112	159	160	RH	3'-0" x 7'-0"	F	13M	13P	--	9C	C Label			
17	22	24	RHR	3'-0" x 7'-0"	F	13V	13X	--	4B	113	159	161	LH	2'-6" x 7'-0"	F	13M	13P	--	17	Lightproof Door			
18	25	26	LHR	3'-0" x 7'-0"	F	13V	13X	--	3A	114	159	162	LH	3'-0" x 7'-0"	F	13M	13P	--	3A	Frame Elev. E			
19	25	25	RHR	3'-0" x 7'-0"	F	13V	13X	--	4B	115	206	163	RH	3'-0" x 7'-0"	F	13M	13P	--	5A	Frame Elev. E			
20	18	29	RHR	3'-0" x 7'-0"	F	13V	13X	--	3B	116	164	159	RH	3'-0" x 7'-0"	F	13M	13P	--	4A	Frame Elev. F			
21	31	32	RHR	3'-0" x 7'-0"	F	13V	13X	--	3A	117	164	165	RH	3'-0" x 7'-0"	F	13A	13B	--	3B	20 MIN.			
22	44	35	--	3'-4" x 4'-0"	--	13C	13D	--	3A	118	159	161	RH	3'-0" x 7'-0"	F	13M	13P	--	9C	Frame Elev. B			
23	44	35	LHR	3'-0" x 7'-0"	F	13V	13X	--	4A	119	167	164	LHR	3'-0" x 7'-0"	F	13M	13P	--	10	Frame Elev. L			
24	37	38	RHR	3'-0" x 7'-0"	F	13V	13X	--	7	120	EXT.	167	LHR	3'-0" x 7'-0"	F	13E	12E	12E	120B	1C	Door Position Indicator		
25	36	39	LHR	3'-0" x 7'-0"	F	13E	13M	--	3A	121	168	168	LHR	3'-0" x 7'-0"	F	13M	13P	--	4A	Frame Elev. A			
26	43	40	RHR	3'-0" x 7'-0"	F	13E	13M	--	3A	122	168	171	RHR	2'-10" x 7'-0"	F	13M	13P	--	2	Frame Elev. A			
27	42	41	LHR	3'-0" x 7'-0"	F	13E	13M	--	7	123	169	170	LH	3'-0" x 7'-0"	F	13G	13H	--	3A	Frame Elev. H			
28	46	46	Chase	RHR	1'-8" x 4" x 1 1/2"	H	SIM	134	8	124	168	174	RHR	2'-10" x 7'-0"	F	13M	13P	--	2	Frame Elev. H			
29	55	55	Chase	RHR	1'-8" x 4" x 1 1/2"	H	SIM	134	8	125	168	178	LH	3'-0" x 7'-0"	F	13M	13P	--	9C	Frame Elev. E1			
30	55	55	Chase	RHR	1'-8" x 4" x 1 1/2"	H	SIM	134	8	126	179	180	RH	3'-0" x 7'-0"	F	13M	13P	--	9C	Frame Elev. E1			
31	44	58	RHR	3'-0" x 7'-0"	F	13V	13X	--	4A	127	179	181	RH	3'-0" x 7'-0"	F	13M	13P	--	9C	Frame Elev. E1			
32	44	58	--	3'-4" x 4'-0"	--	13C	13D	--	3A	128	184	179	LH	3'-0" x 7'-0"	F	13M	13P	--	4A	Frame Elev. B			
33	59	59	Chase	RHR	1'-8" x 4" x 1 1/2"	H	SIM	134	8	129	184	185	LH	3'-0" x 7'-0"	F	13M	13P	--	5A	Frame Elev. E1			
34	59	59	Chase	RHR	1'-8" x 4" x 1 1/2"	H	SIM	134	8	130	184	186	LH	3'-0" x 7'-0"	F	13M	13P	--	5A	Frame Elev. E1			
35	59	59	Chase	RHR	1'-8" x 4" x 1 1/2"	H	SIM	134	8	131	184	187	LH	3'-0" x 7'-0"	F	13M	13P	--	5A	Frame Elev. E1			
36	59	67	LHR	3'-0" x 7'-0"	F	13V	13X	--	7	132	188	189	RH	3'-0" x 7'-0"	F	13M	13P	--	3A	Frame Elev. E			
37	NOT USED									133	164	184	RHR	3'-0" x 7'-0"	F	13M	13P	--	4A	Frame Elev. E			
38	NOT USED									134	205	206	RHR	3'-0" x 7'-0"	F	13A	13B	--	9B	Frame Elev. G			
39	76	68	RHR	3'-0" x 7'-0"	F	13V	13X	--	7	135	205	209	RH	3'-0" x 7'-0"	F	13A	13B	--	5A	Frame Elev. L			
40	76	68	Chase	RHR	1'-8" x 4" x 1 1/2"	H	SIM	134	8	136	205	208	LH	3'-0" x 7'-0"	F	13M	13P	--	5A	Frame Elev. L			
41	76	68	Chase	RHR	1'-8" x 4" x 1 1/2"	H	SIM	134	8	137	206	207	LH	3'-0" x 7'-0"	F	13M	13P	--	5A	Frame Elev. L			
42	76	68	Chase	RHR	1'-8" x 4" x 1 1/2"	H	SIM	134	8	138	190	192	RHR	3'-0" x 7'-0"	F	13A	13B	--	4A	20 MIN.			
43	56	57	RH	3'-0" x 7'-0"	F	13E	13M	--	3A	139	192	193	LH	3'-0" x 7'-0"	F	13M	13P	--	5A	Frame Elev. E1			
44	56	79	--	5'-4" x 4'-0"	--	13C	13D	--	3A	140	193	194	RHR	2'-6" x 7'-0"	F	13M	13P	--	5A	Frame Elev. E1			
45	77	79	LHR	3'-0" x 7'-0"	F	13V	13X	--	9B	141	194	195	RH	2'-6" x 7'-0"	F	13M	13P	--	6A	Frame Elev. G			
46	77	79	LHR	3'-0" x 7'-0"	F	13V	13X	--	9B	142	196	194	LH	2'-6" x 7'-0"	F	13M	13P	--	5A	Frame Elev. E1			
47	77	84	LHR	3'-0" x 7'-0"	F	13V	13X	--	9A	143	192	196	LH	3'-0" x 7'-0"	F	13M	13P	--	5A	Frame Elev. E1			
48	77	81	RHR	3'-0" x 7'-0"	F	13V	13X	--	9B	144	192	191	RH	3'-0" x 7'-0"	F	13M	13P	--	9C	Frame Elev. E1			
49	77	84	--	3'-4" x 4'-0"	--	13C	13D	--	3A	145	192	197	LH	3'-0" x 7'-0"	F	13M	13P	--	3A	Frame Elev. B1			
50	77	82	RHR	3'-0" x 7'-0"	F	13V	13X	--	9B	146	192	198	LH	3'-0" x 7'-0"	F	13M	13P	--	5A	Frame Elev. E1			
51	77	84	--	3'-4" x 4'-0"	--	13C	13D	--	3A	147	192	199	RH	3'-0" x 7'-0"	F	13C	13D	--	1B	31" Vault Door A Label			
52	77	120	DEL EXPRESS	FR. 3'-0" x 7'-0"	B	13A	13B	--	10	148	192	200	RH	3'-0" x 7'-0"	F	13M	13P	--	3A	Frame Elev. E			
53	102	102	LHR	3'-0" x 7'-0"	F	13V	13X	--	9A	149	2	201	RH	3'-0" x 7'-0"	F	13A	13B	--	9C	Frame Elev. E			
54	102	103	RHR	3'-0" x 7'-0"	F	13V	13X	--	11A	150	2	202	LH	3'-0" x 7'-0"	F	13A	13B	--	9C	Frame Elev. E			
55	102	104	LHR	3'-0" x 7'-0"	F	13V	13X	--	11A	151	202	203	RH	3'-0" x 7'-0"	F	13M	13P	--	3A	Frame Elev. E			
56	86	87	LHR	3'-0" x 7'-0"	F	13V	13X	--	5B	152	202	204	LH	3'-0" x 7'-0"	F	13M	13P	--	3A	Frame Elev. E			
57	86	88	LHR	3'-0" x 7'-0"	F	13V	13X	--	9A	153	205	202	RHR	3'-0" x 7'-0"	F	13A	13B	--	5B	20 MIN.			
58	88	90	--	3'-4" x 4'-0"	--	13C	13D	--	3A	154	3	205	RHR	3'-0" x 7'-0"	F	13A	13B	--	4A	Frame Elev. E			
59	89	90	RHR	3'-0" x 7'-0"	F	13V	13X	--	4A	155	207	208	--	2'-0" x 4'-0"	--	SIM	13P	--	3A	Frame Elev. E			
60	89	92	LHR	3'-0" x 7'-0"	F	13V	13X	--	6A	156	192	210	LH	3'-0" x 7'-0"	F	13M	13P	--	3A	Frame Elev. E			
61	89	93	RHR	3'-0" x 7'-0"	F	13V	13X	--	3A	157	190	191	RH	3'-0" x 7'-0"	F	13A	13B	--	9E	Frame Elev. E			
62	89	84	LHR	3'-0" x 7'-0"	F	13V	13X	--	9A														
63	84	85	LHR	3'-0" x 7'-0"	F	13V	13X	--	11A	M1	M2	M3	RHR	3'-0" x 7'-0"	F	SIM	13H	15W	7				
64	105	CHASE	RHR	1'-8" x 4" x 1 1/2"	H	SIM	134	8		M2	M4	M4	LHR	3'-0" x 7'-0"	F	SIM	13H	--	7A				
65	112	CHASE	RHR	1'-8" x 4" x 1 1/2"	H	SIM	134	8		M3	M5	M5	RHR	3'-0" x 7'-0"	F	13G	13H	--	3A				
66	114	114	RHR																				



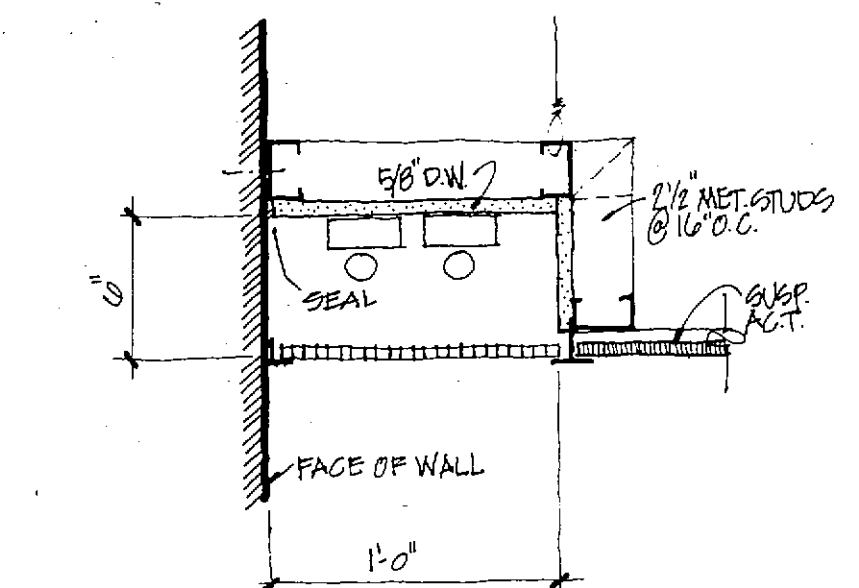
14A DETENTION WND. HEAD
11/8" x 11'-0"



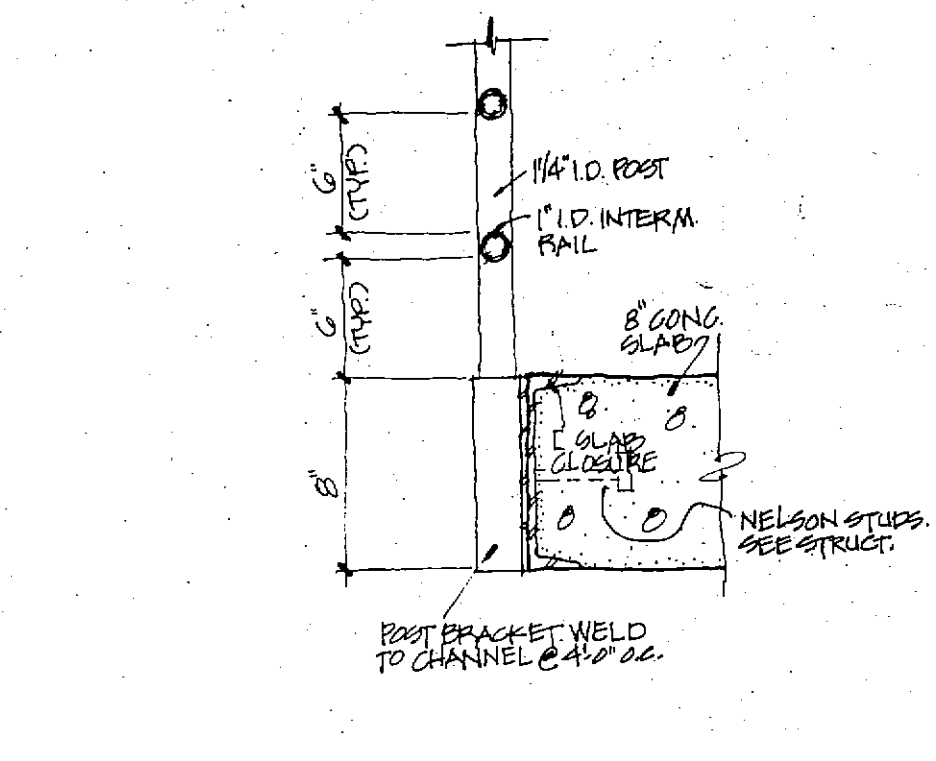
14B DET. WND. JAMB (HEAD SIM.)
11/8" x 11'-0"



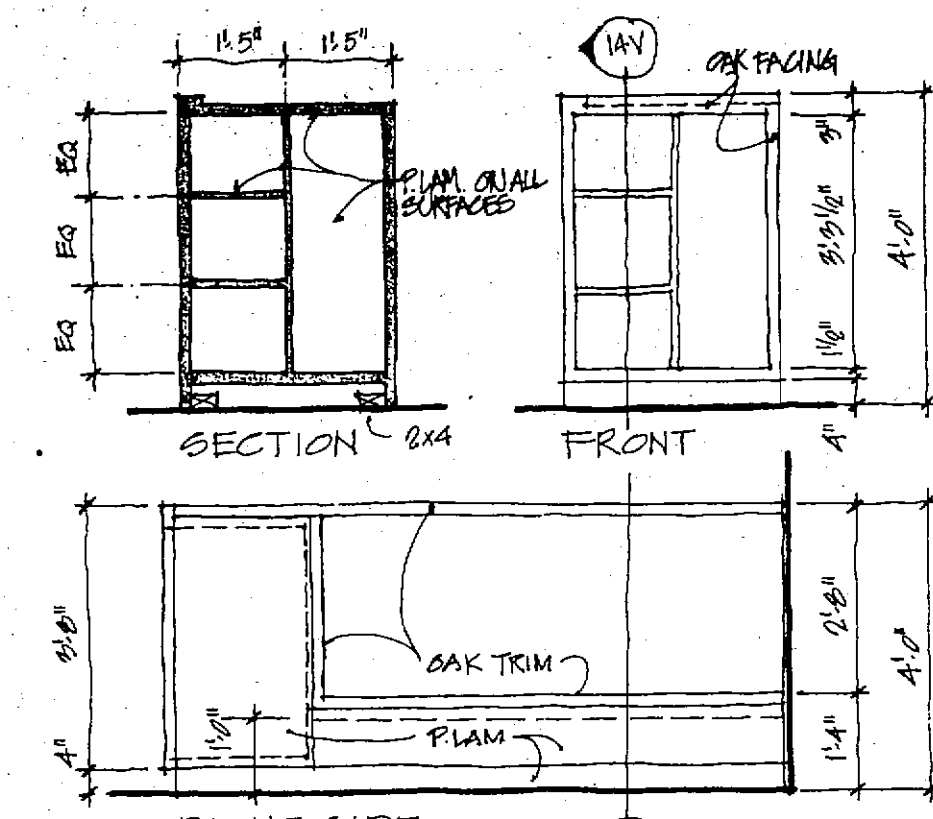
14C SILL DETAIL @ ACCESS DOOR
11/8" x 11'-0"



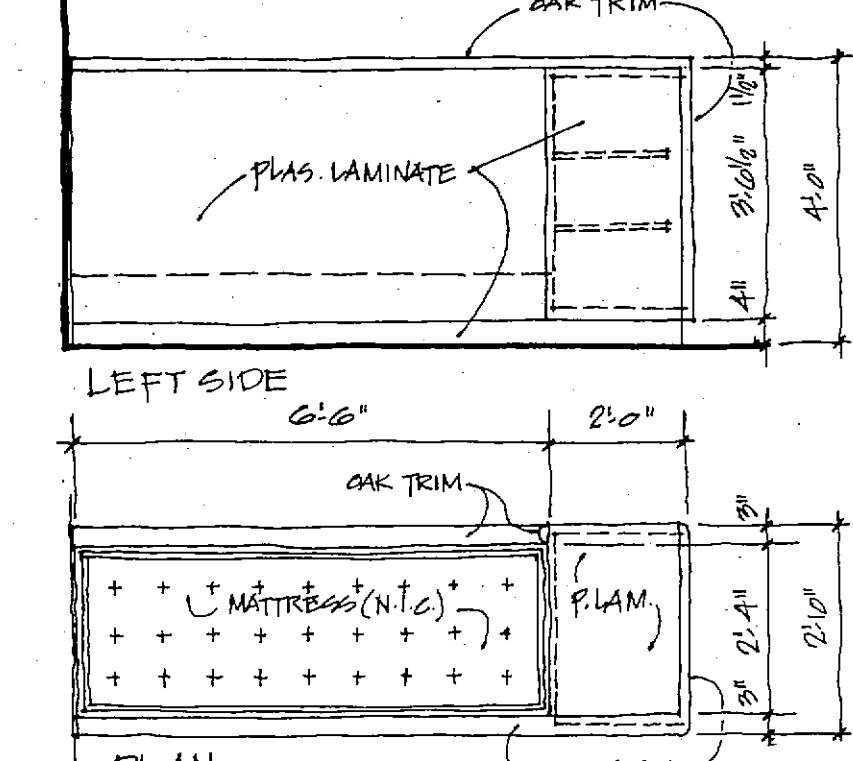
14D TOILET R.M. COVE L.T.G.
11/8" x 11'-0"



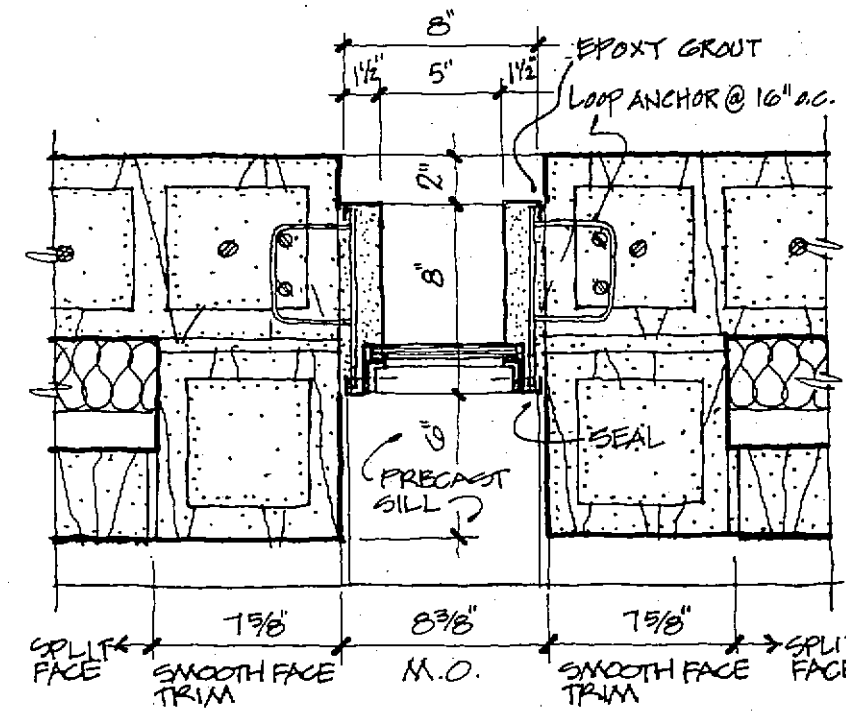
14E GUARDRAIL BRACKET DETAIL
11/8" x 11'-0"



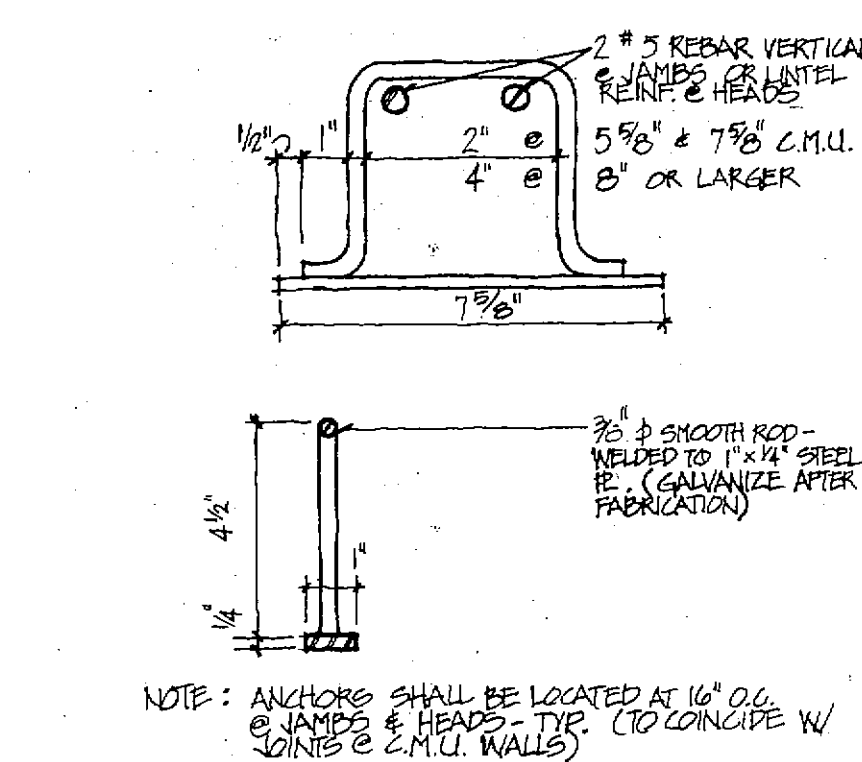
14F TYPICAL... DORMITORY BUNK
2'-3\"/>



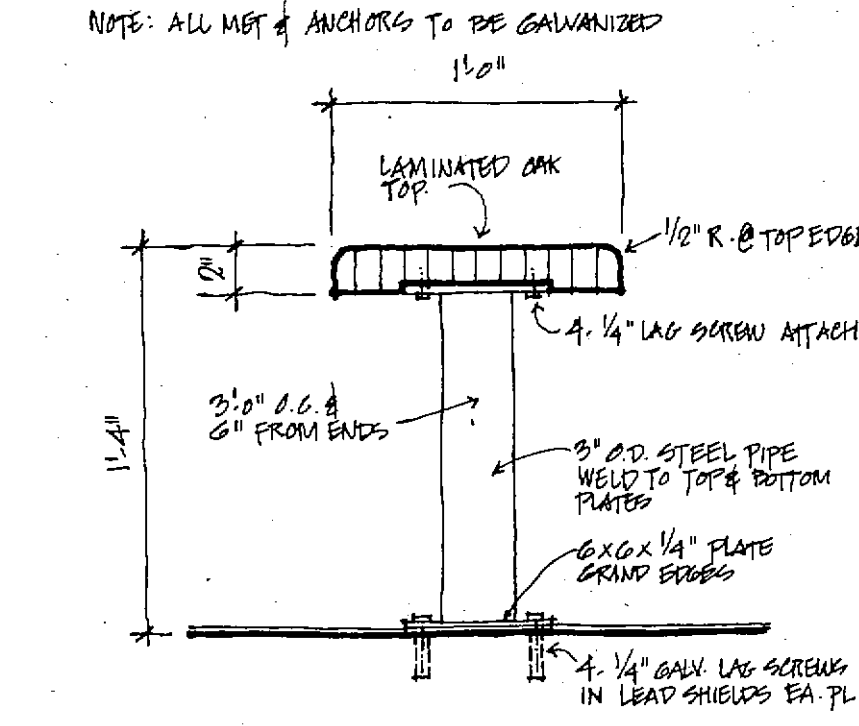
14G DORMITORY BUNK
2'-3\"/>



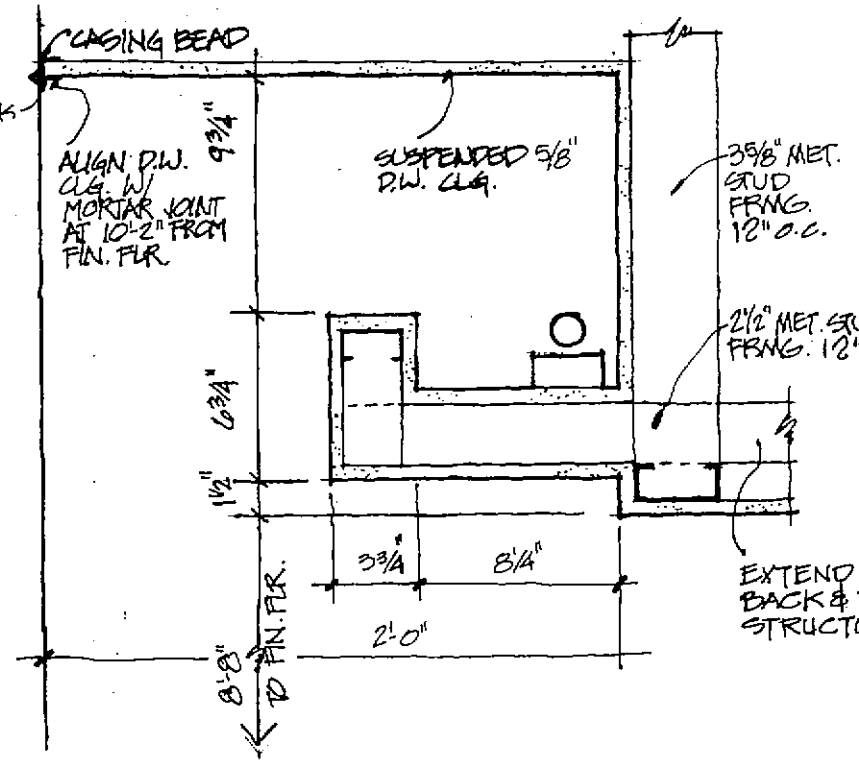
14H DETENTION WND. JAMB
11/8" x 11'-0"



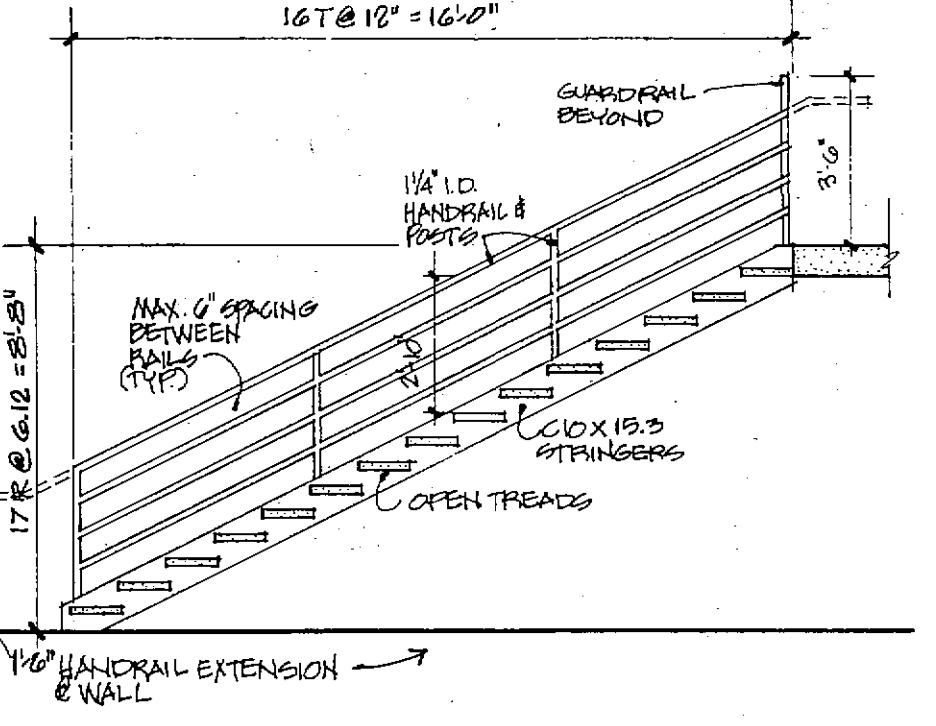
14H DET. WND. ANCHORAGE
3\"/>



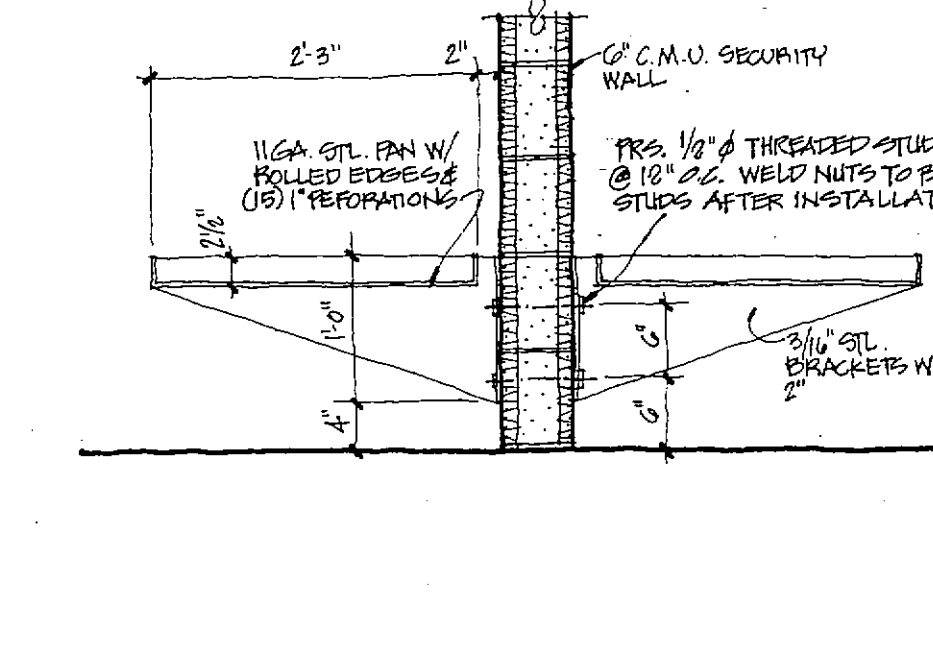
14J LOCKER ROOM BENCH
11/8" x 11'-0"



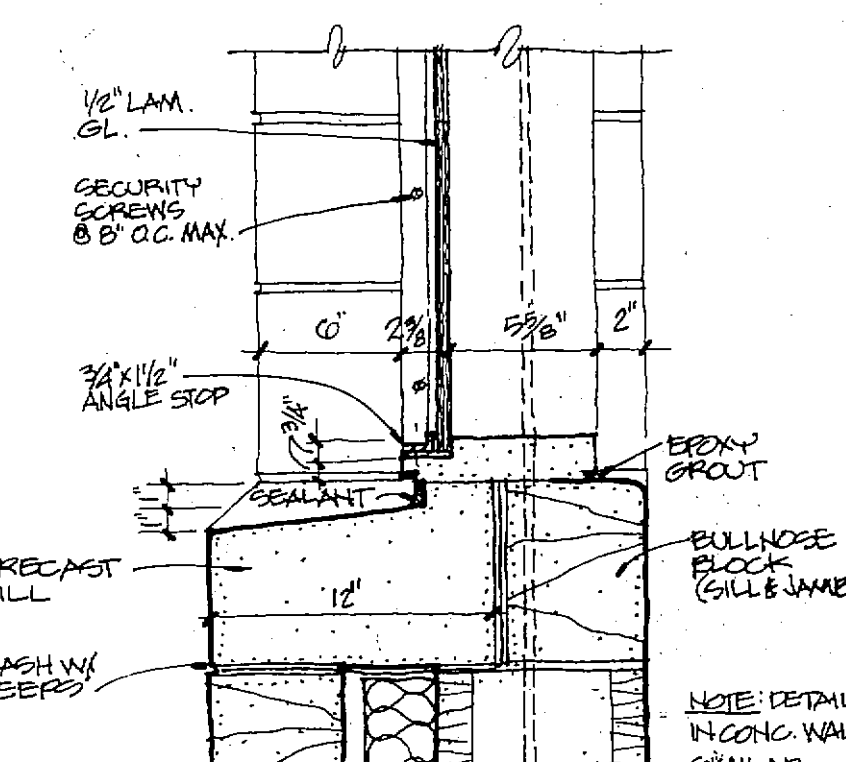
14K COVE LIGHT AT MAS. WALL
11/8" x 11'-0"



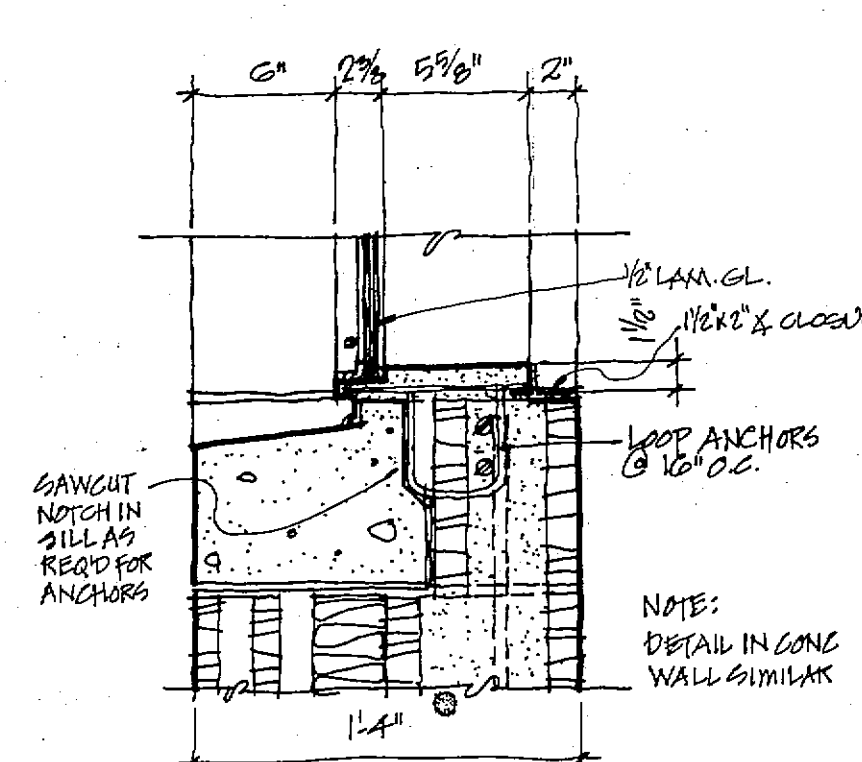
14L STAIR SECTION
11/8" x 11'-0"



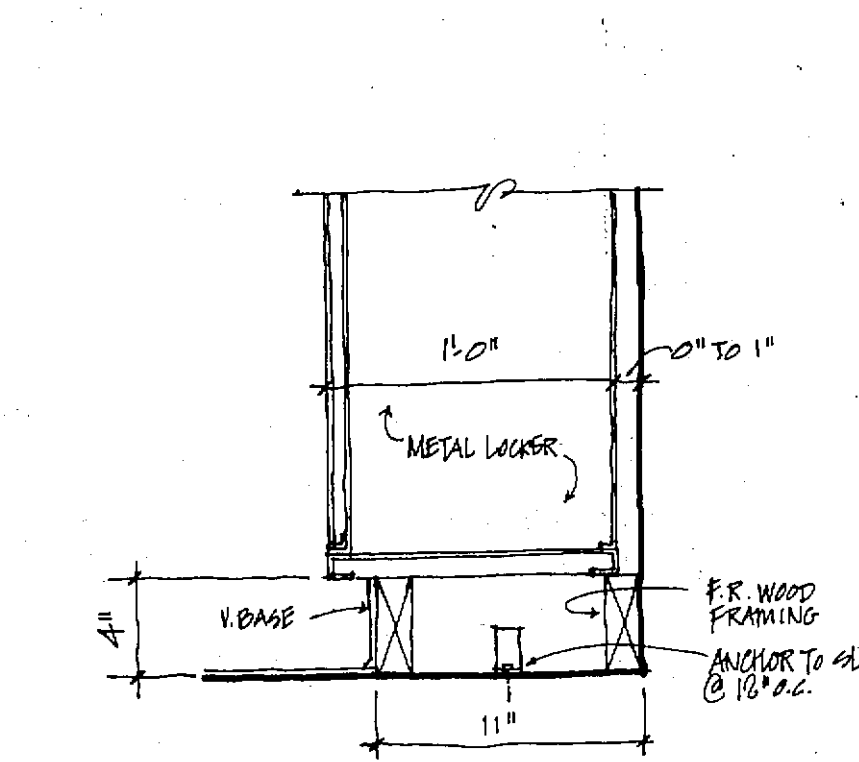
14M CELL BUNK ANCHORAGE
3/4\"/>



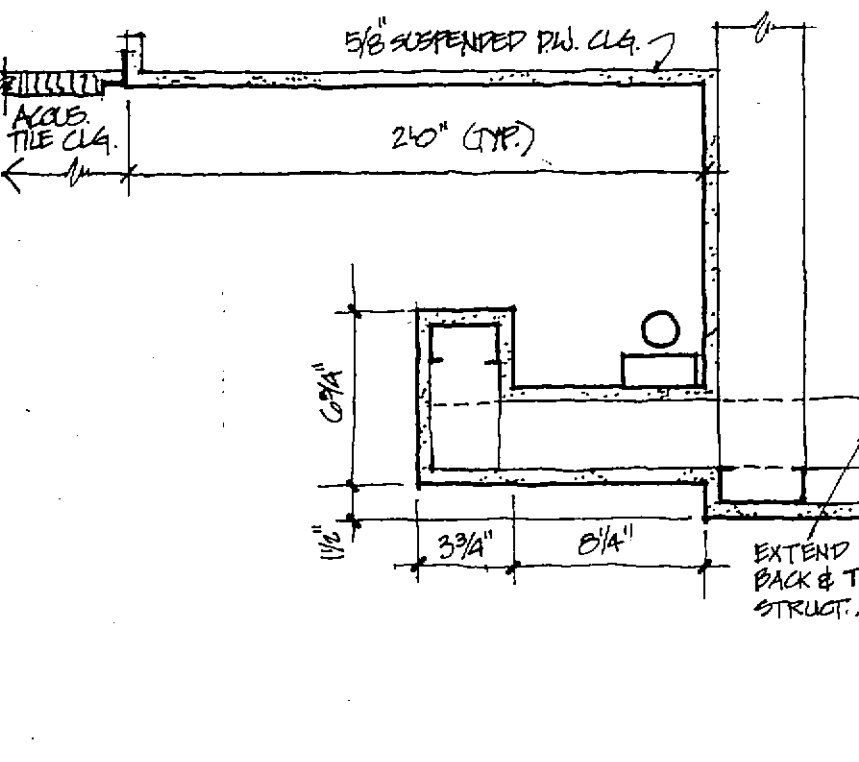
14P DETENTION WND. SILL
11/8" x 11'-0"



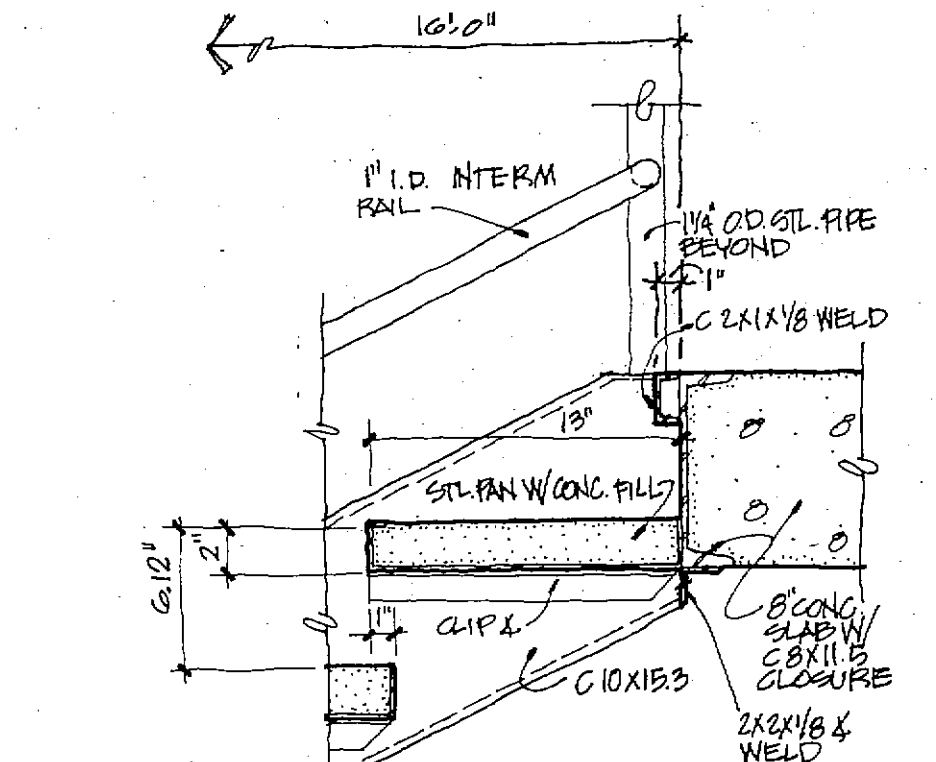
14Q DET. WND. SILL (SMA. W/DOOR/CURTAIN)
11/8" x 11'-0"



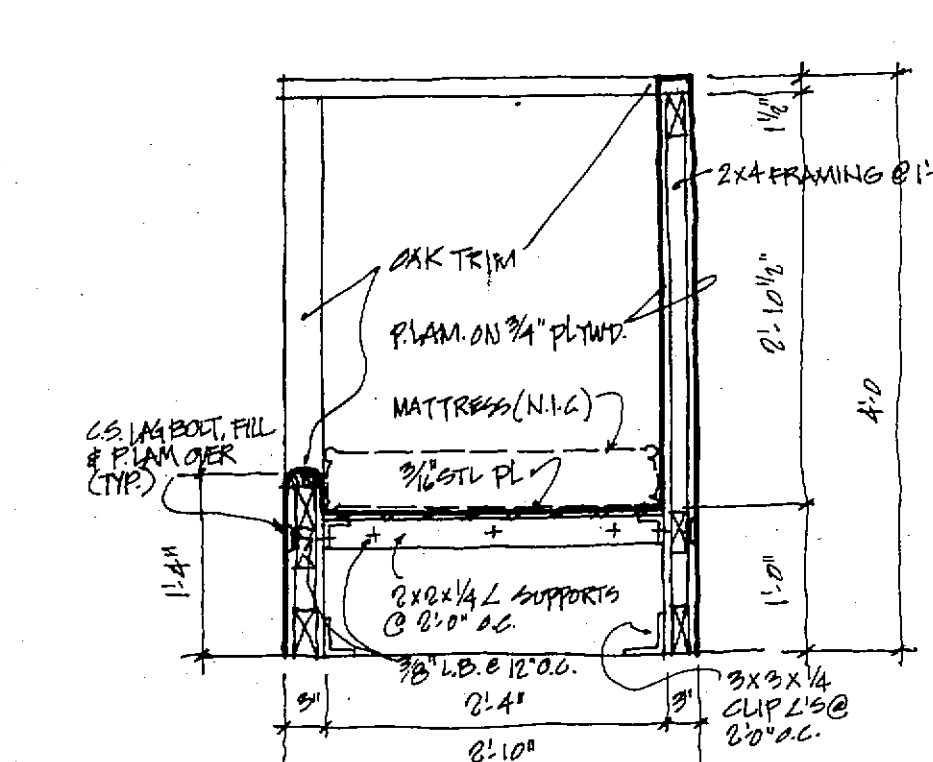
14R LOCKER BASE
11/8" x 11'-0"



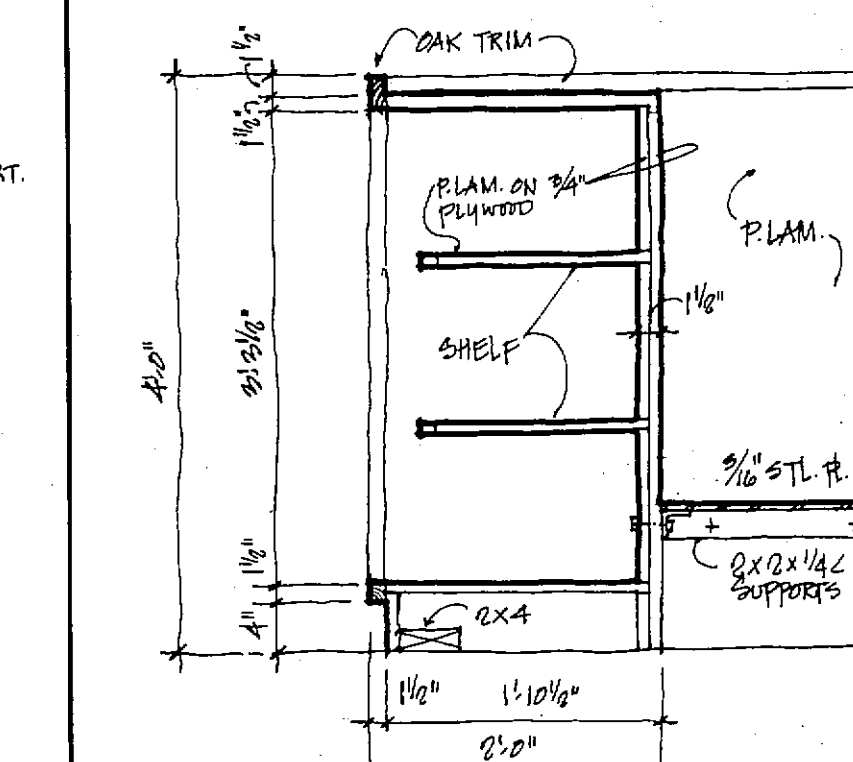
14S DW. CLG. AT COVE LIGHT
11/8" x 11'-0"



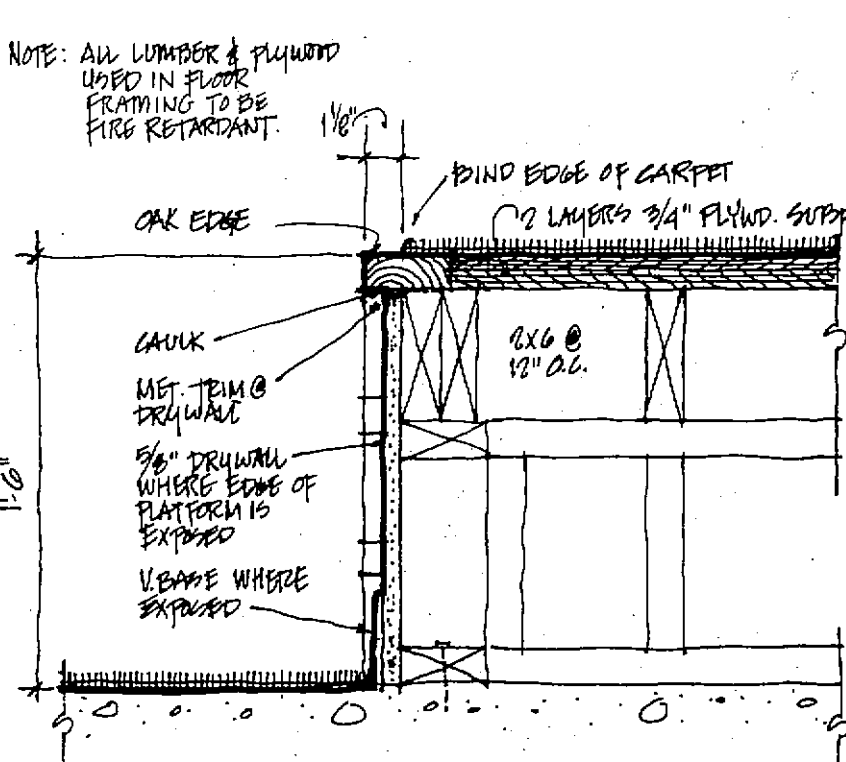
14T DETAIL @ TOP OF STAIR
11/8" x 11'-0"



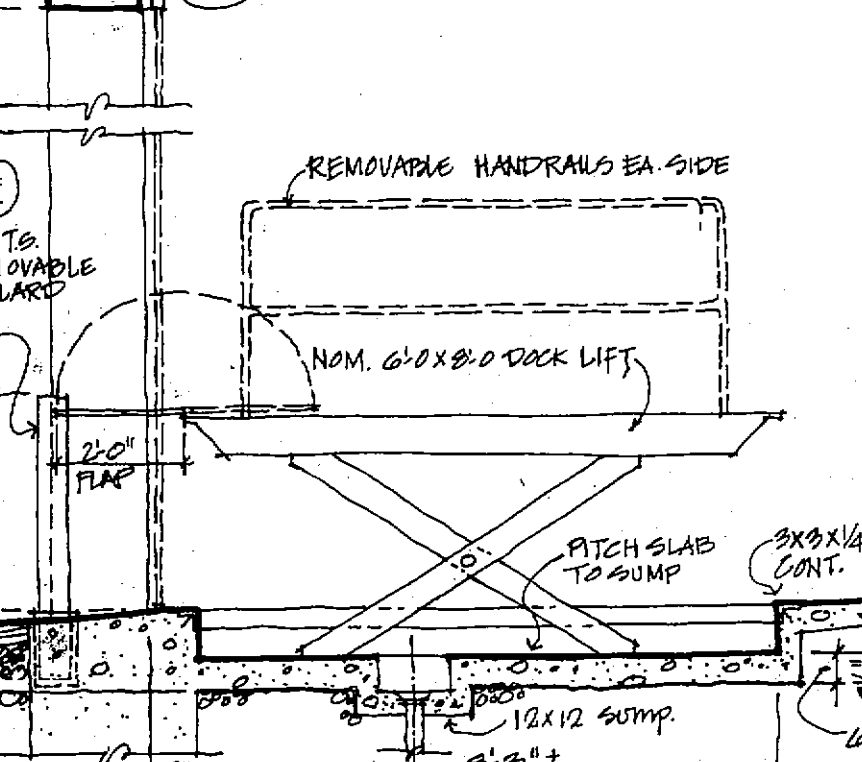
14U DORM BUNK DETAIL
3/4\"/>



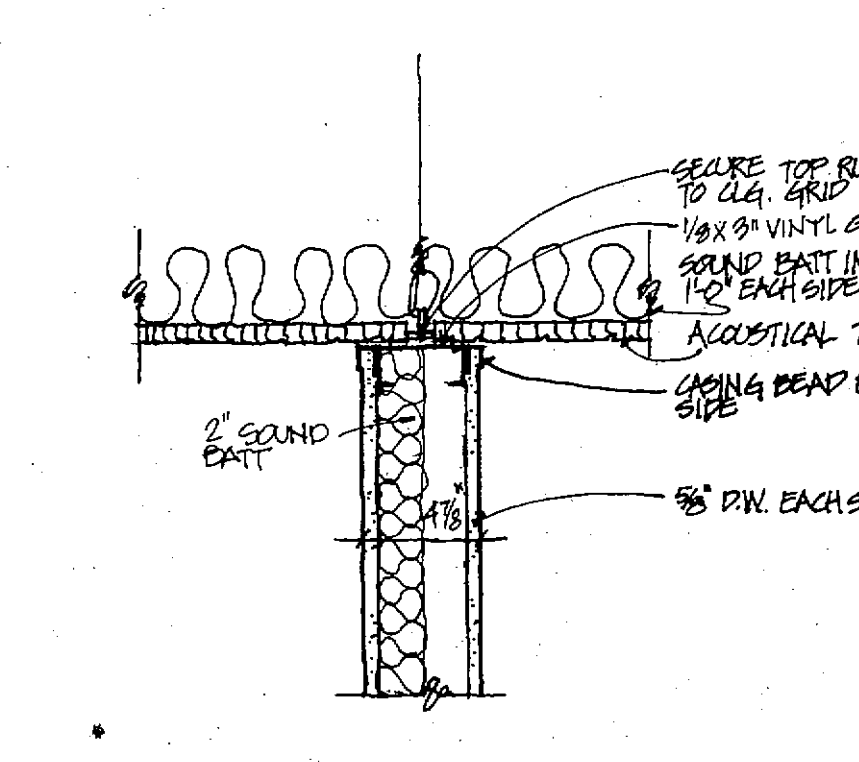
14V DORM BUNK DETAIL
3/4\"/>



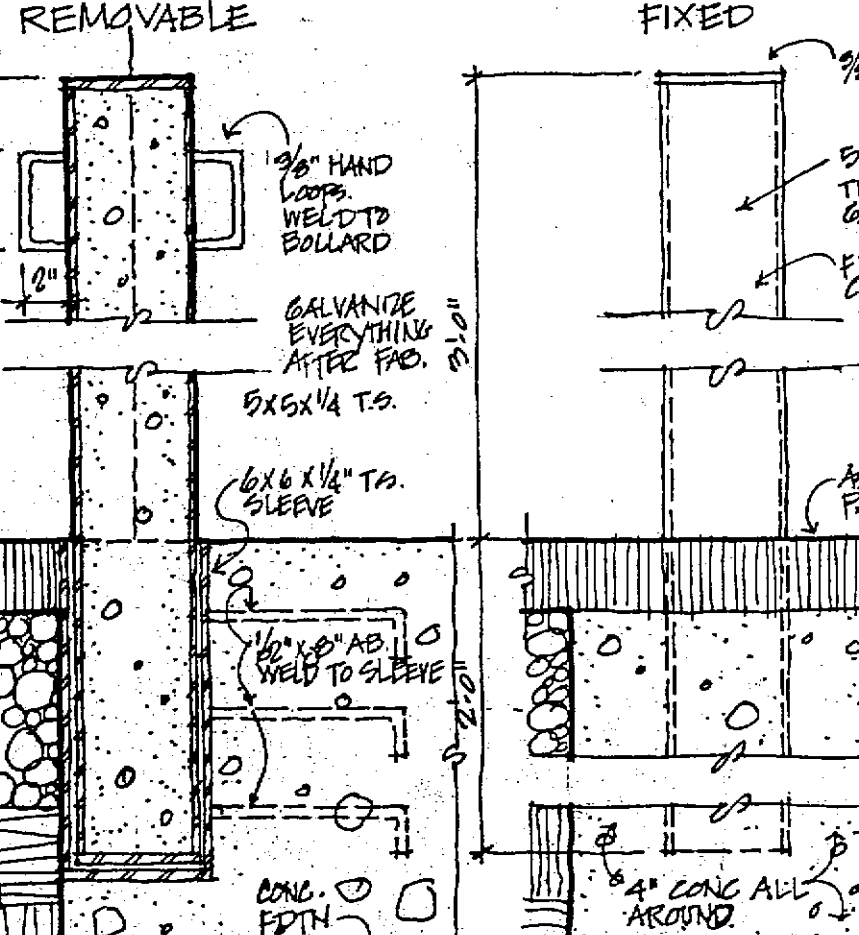
14W PLATFORM DETAIL
2'-10\"/>



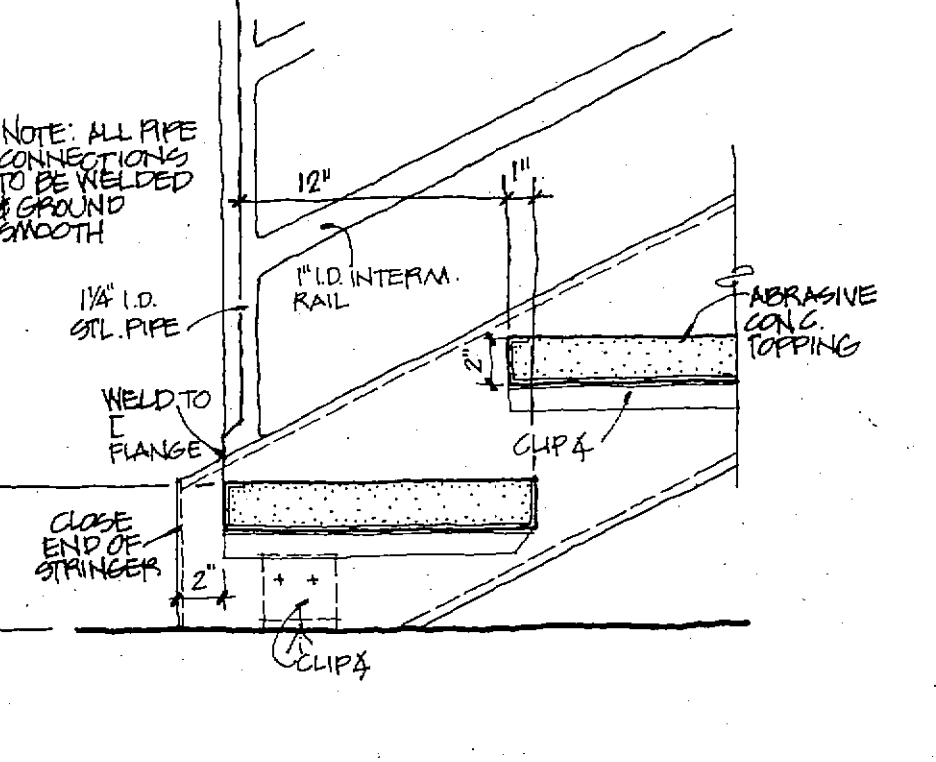
14X DOCK LIFT
3/8\"/>



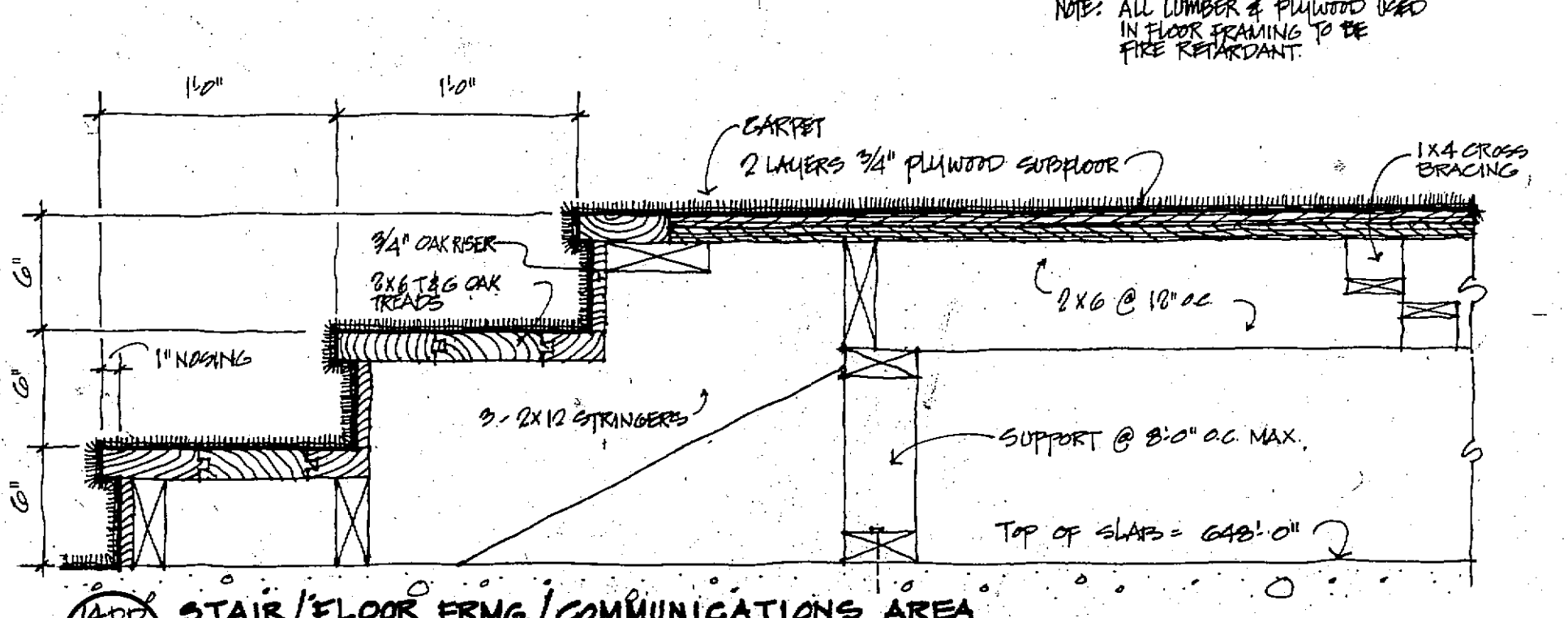
14Y DET. CLG. AT PARTITION
11/8" x 11'-0"



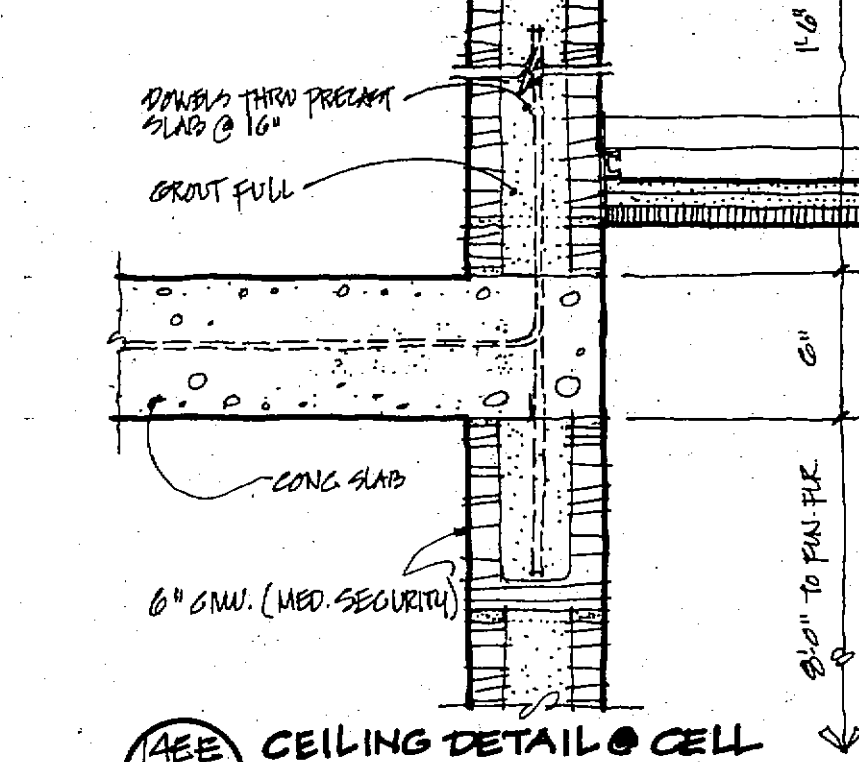
14Z BOLLARD DETAILS
2'-10\"/>



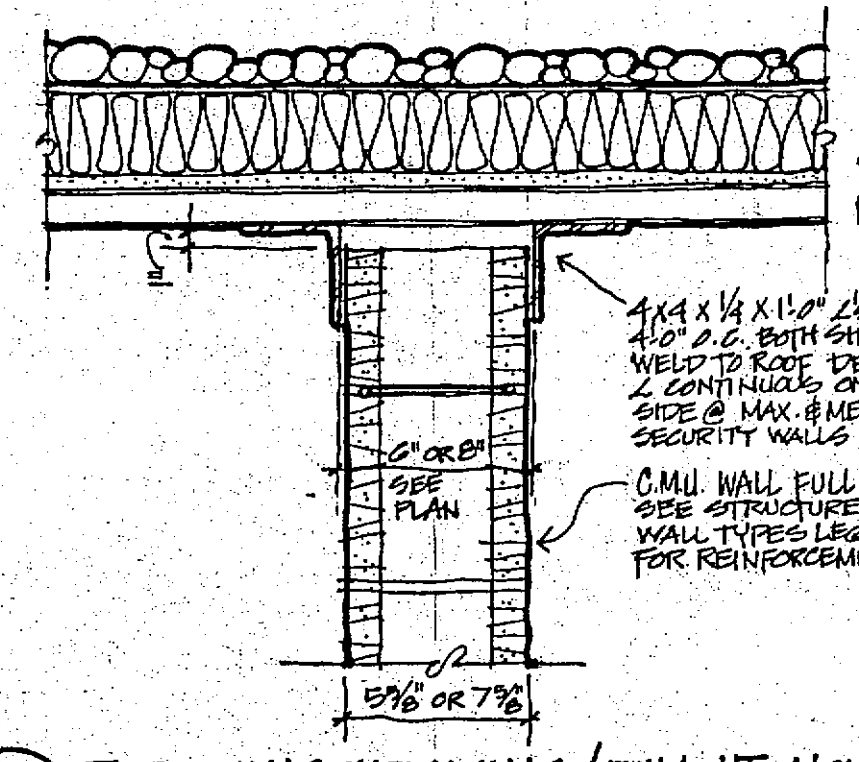
14AA DETAIL @ BOTM. OF STAIR
11/8" x 11'-0"



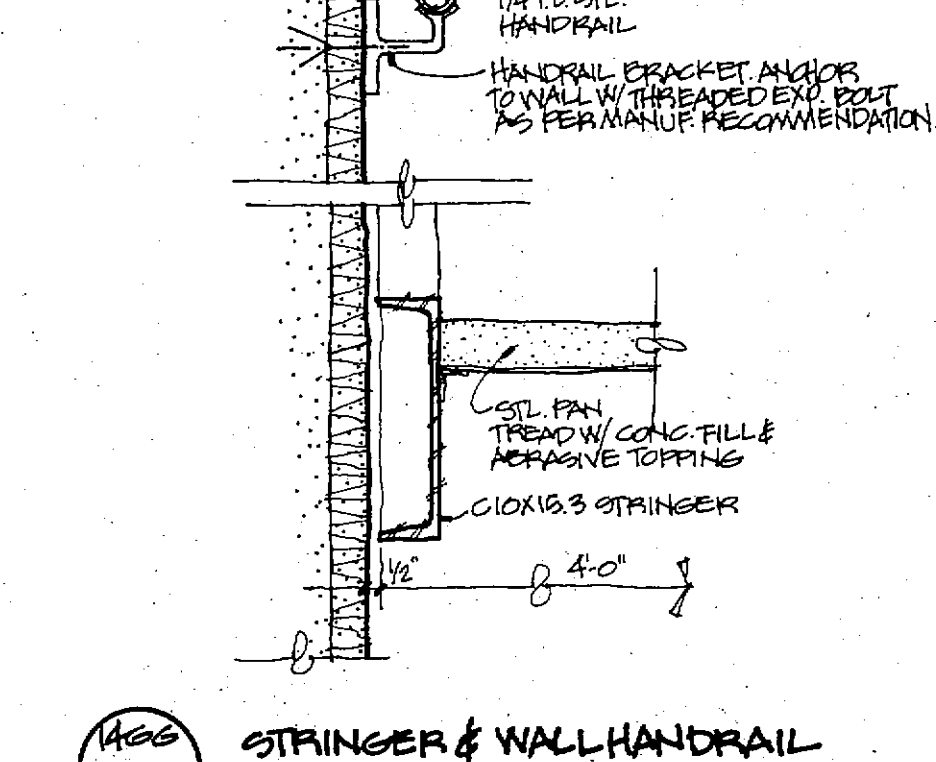
14AD STAIR/FLOOR FRMG./COMMUNICATIONS AREA
11/8" x 11'-0"



14AE CEILING DETAIL @ CELL
11/8" x 11'-0"



14AF TOP OF MASONRY WALLS/FULL HT., NON-BRS.
11/8" x 11'-0"



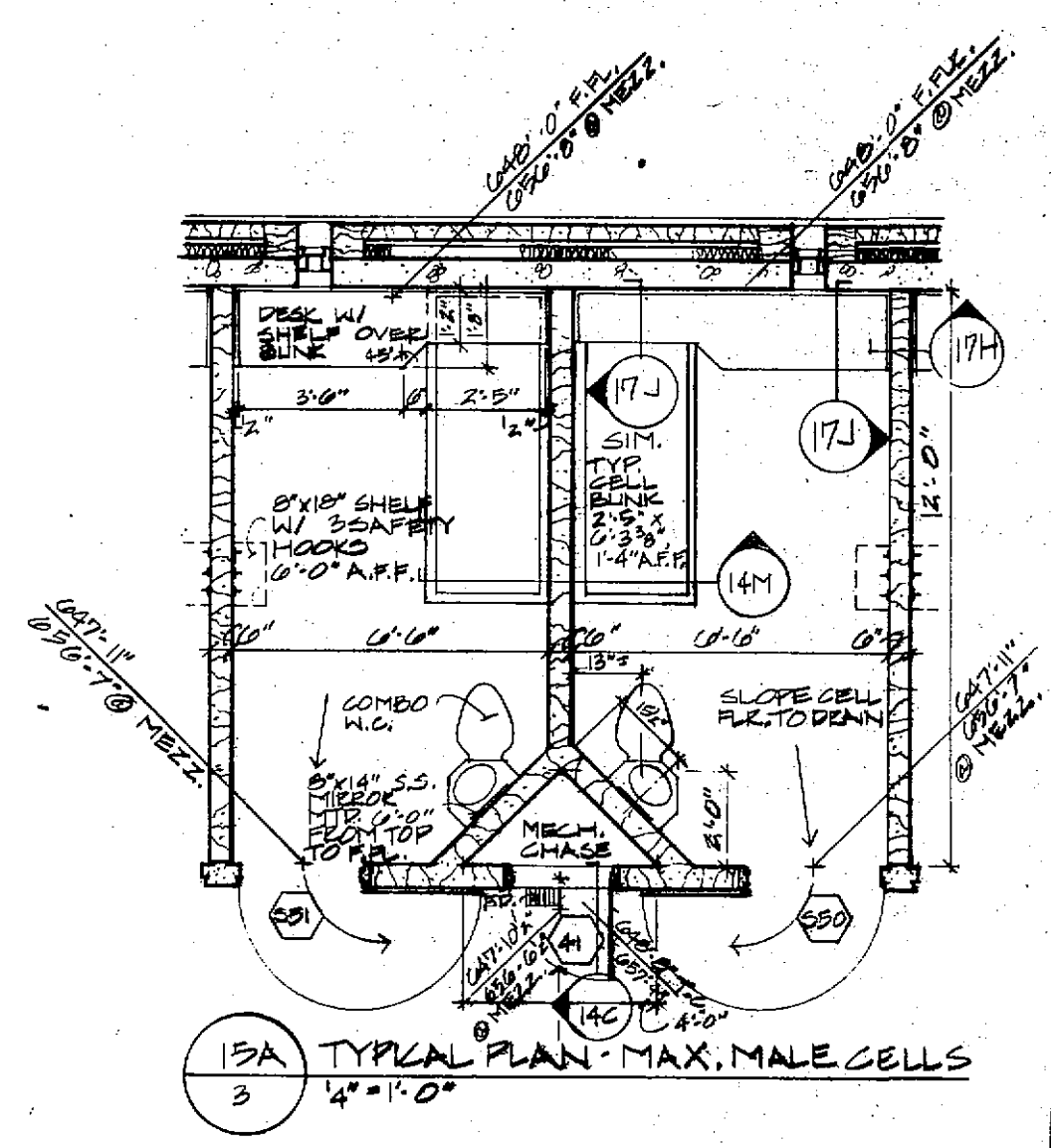
14AG STRINGER & WALL HANDRAIL
11/8" x 11'-0"

FRANKLIN COUNTY ADULT JAIL
UNION, MISSOURI

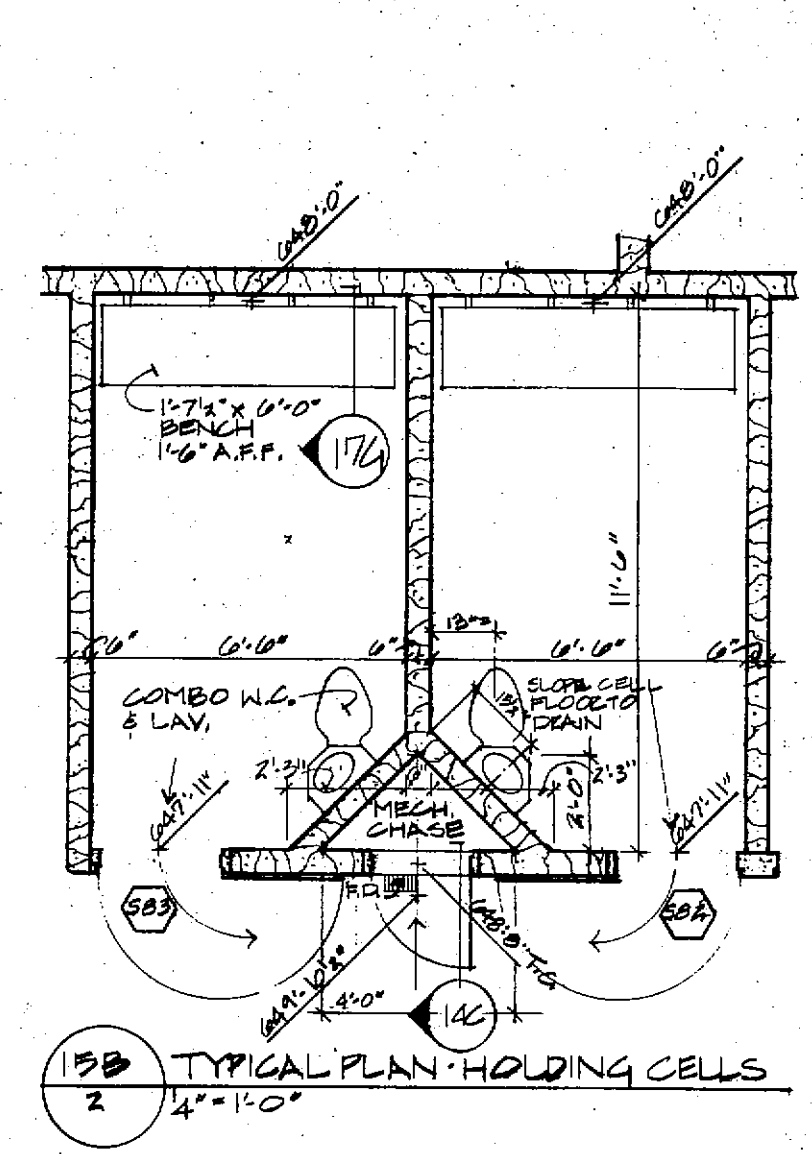
PEARCE CORPORATION
One Mercantile Center
Saint Louis, Missouri 63101

Siebold, Sydow & Eitanbaum Inc.
Structural Engineers
Colton/Lester/Niederborn Associates, Inc.
Mechanical & Electrical Engineers
Walker McGough Foltz Lyerta, P.S.
Security Consultants

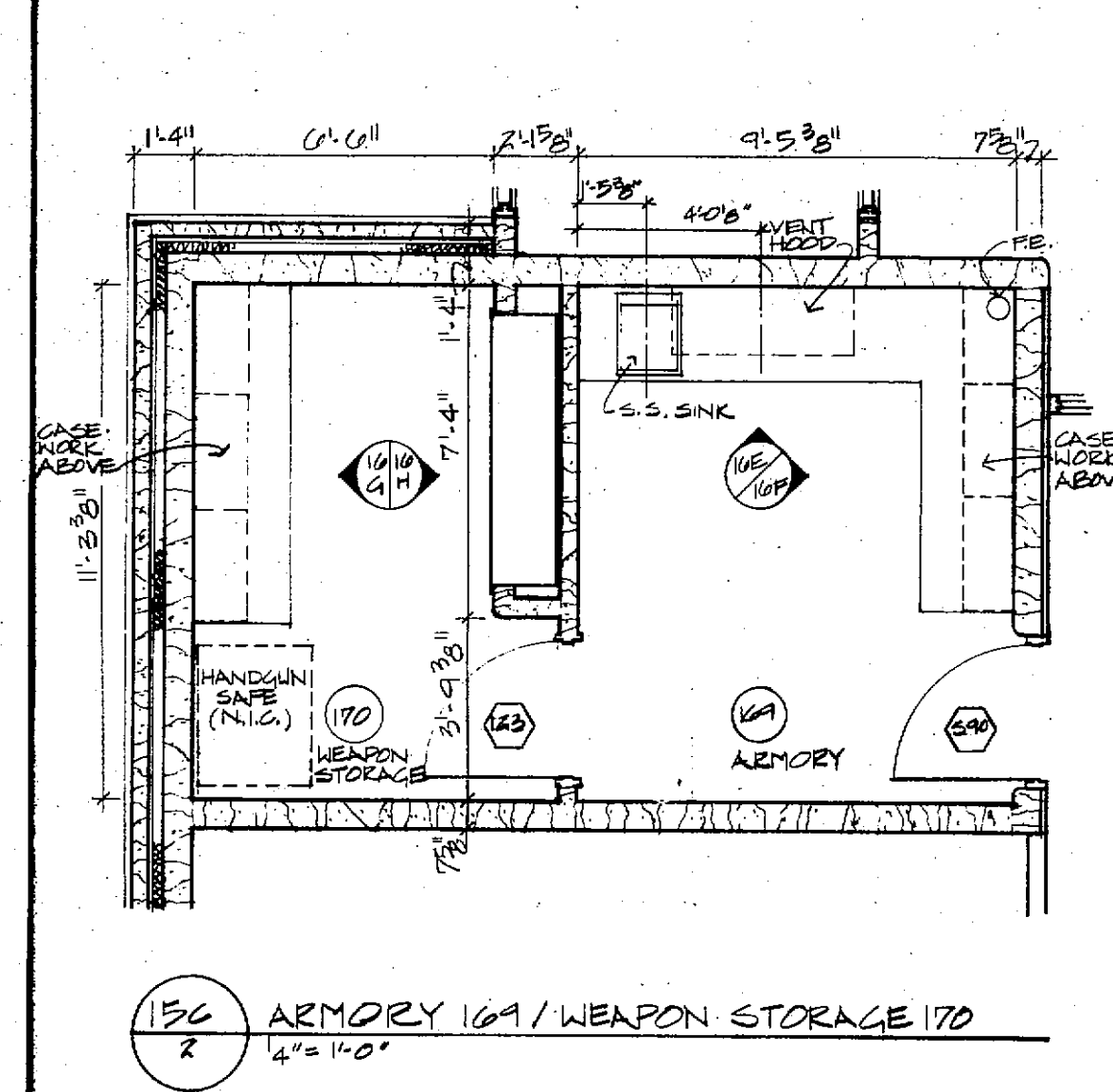
DRAWN BY: [Signature]
CHECKED BY: [Signature]
REVISION: [Signature]
DAVID W. PEARCE
NUMBER A-1131
PROJ. NO. R-4-0-11-00
DATE MARCH 22, 1986
DRAWING NO. 14



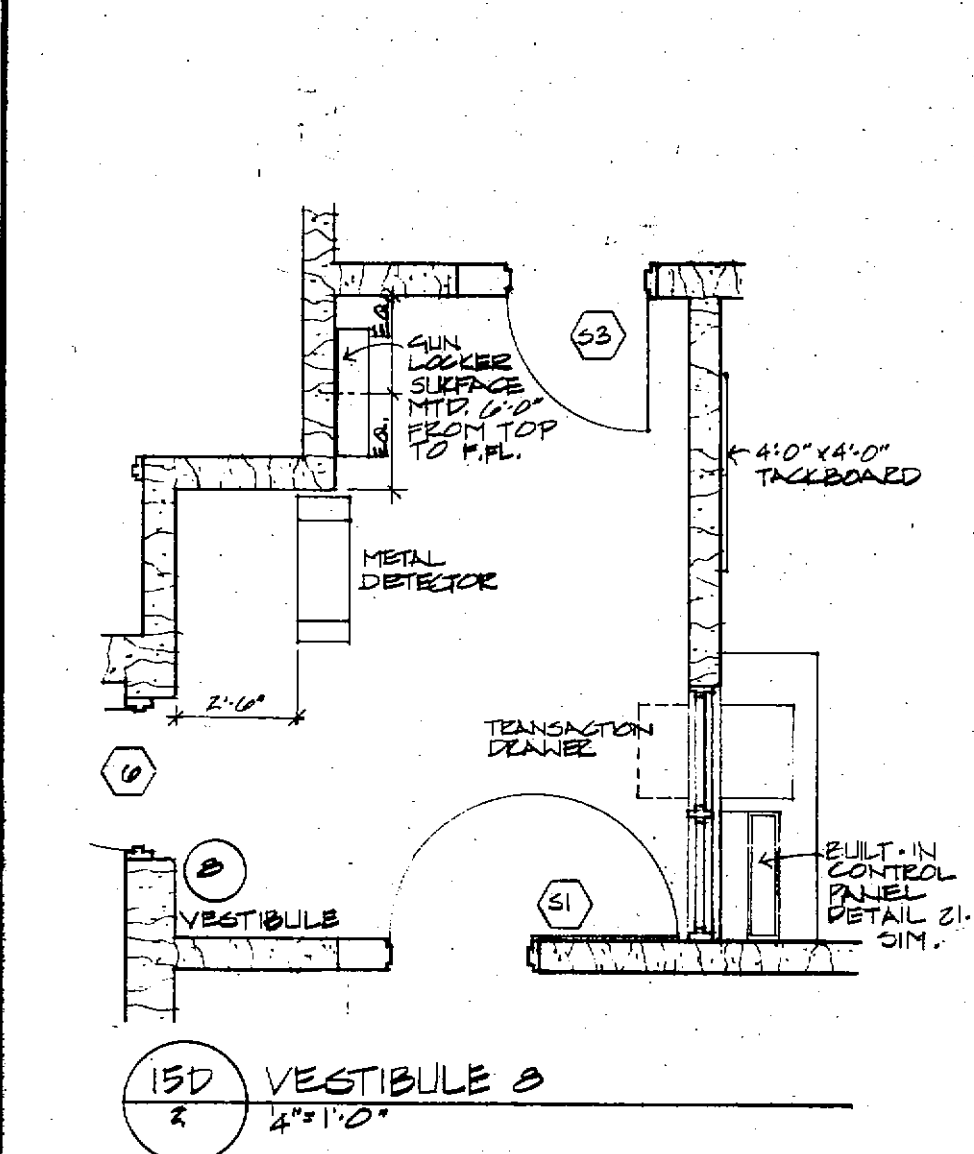
13A TYPICAL PLAN - MAX. MALE CELLS
4'-11" x 10'-0"



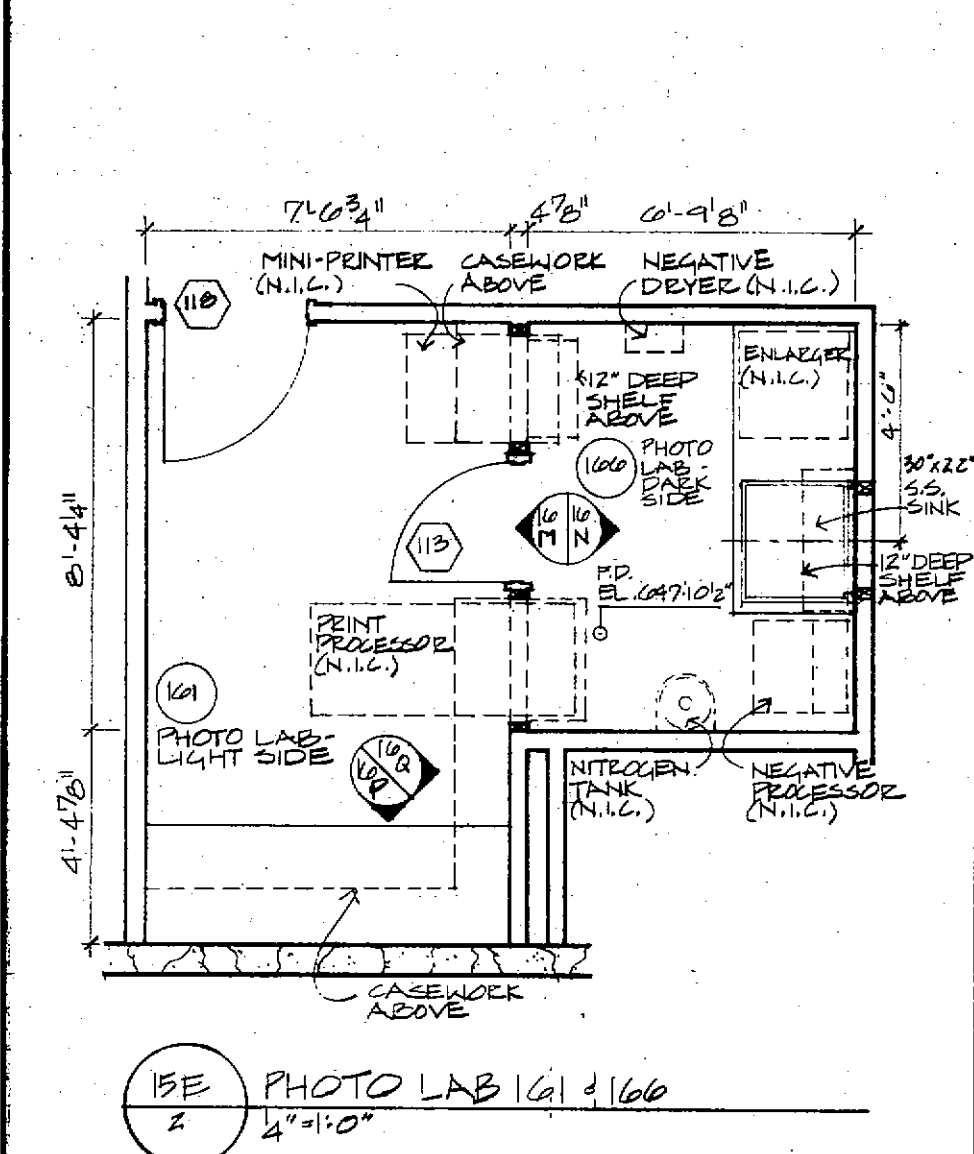
13B TYPICAL PLAN - HOLDING CELLS
4'-11" x 10'-0"



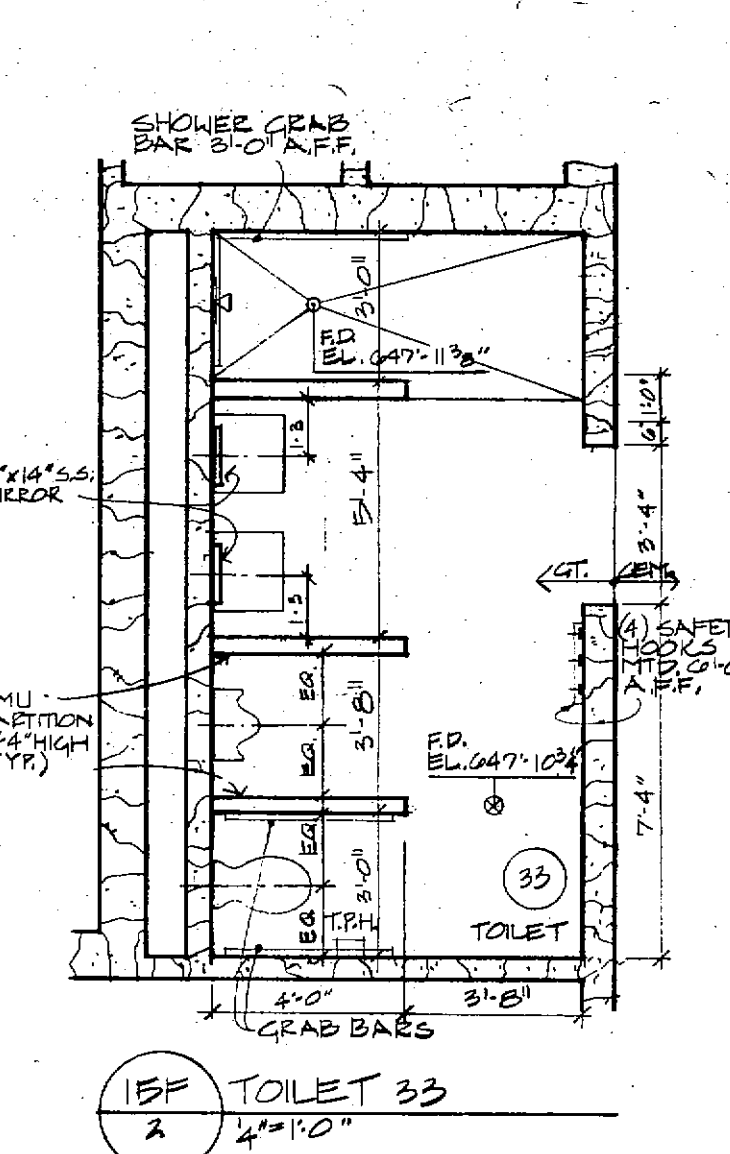
13C ARMORY 169 / WEAPON STORAGE 170
4'-11" x 10'-0"



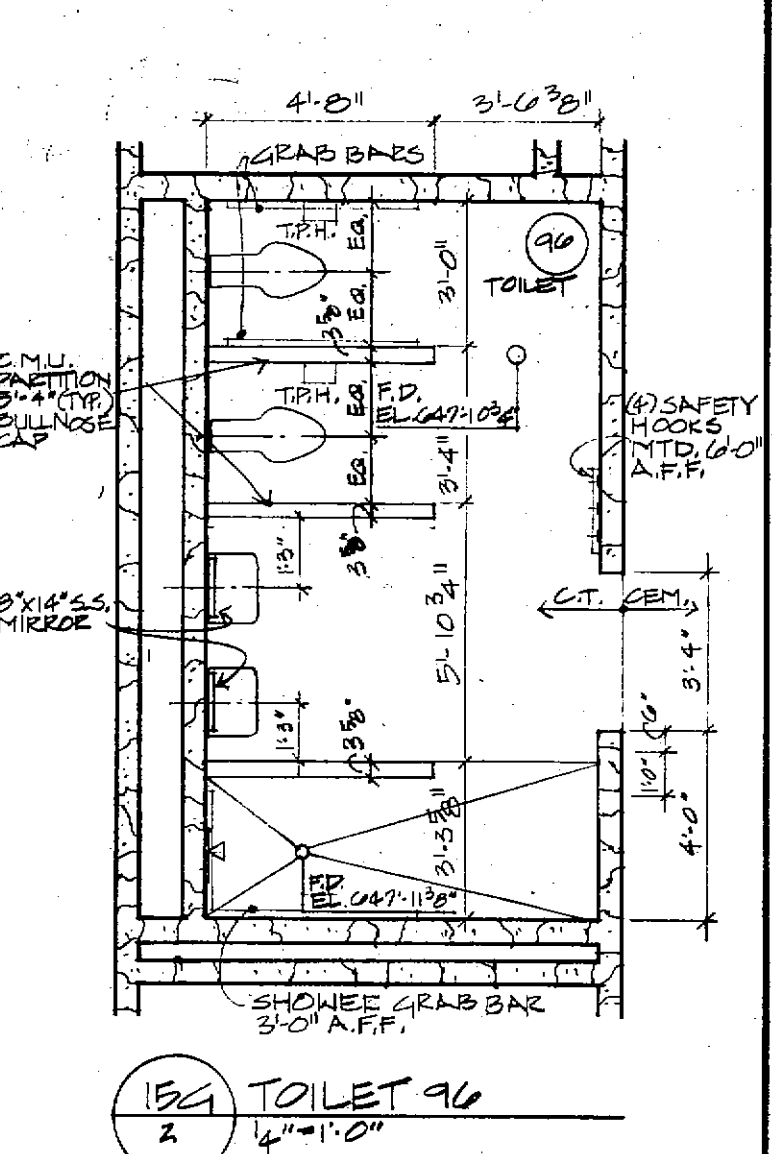
13D VESTIBULE 3
4'-11" x 10'-0"



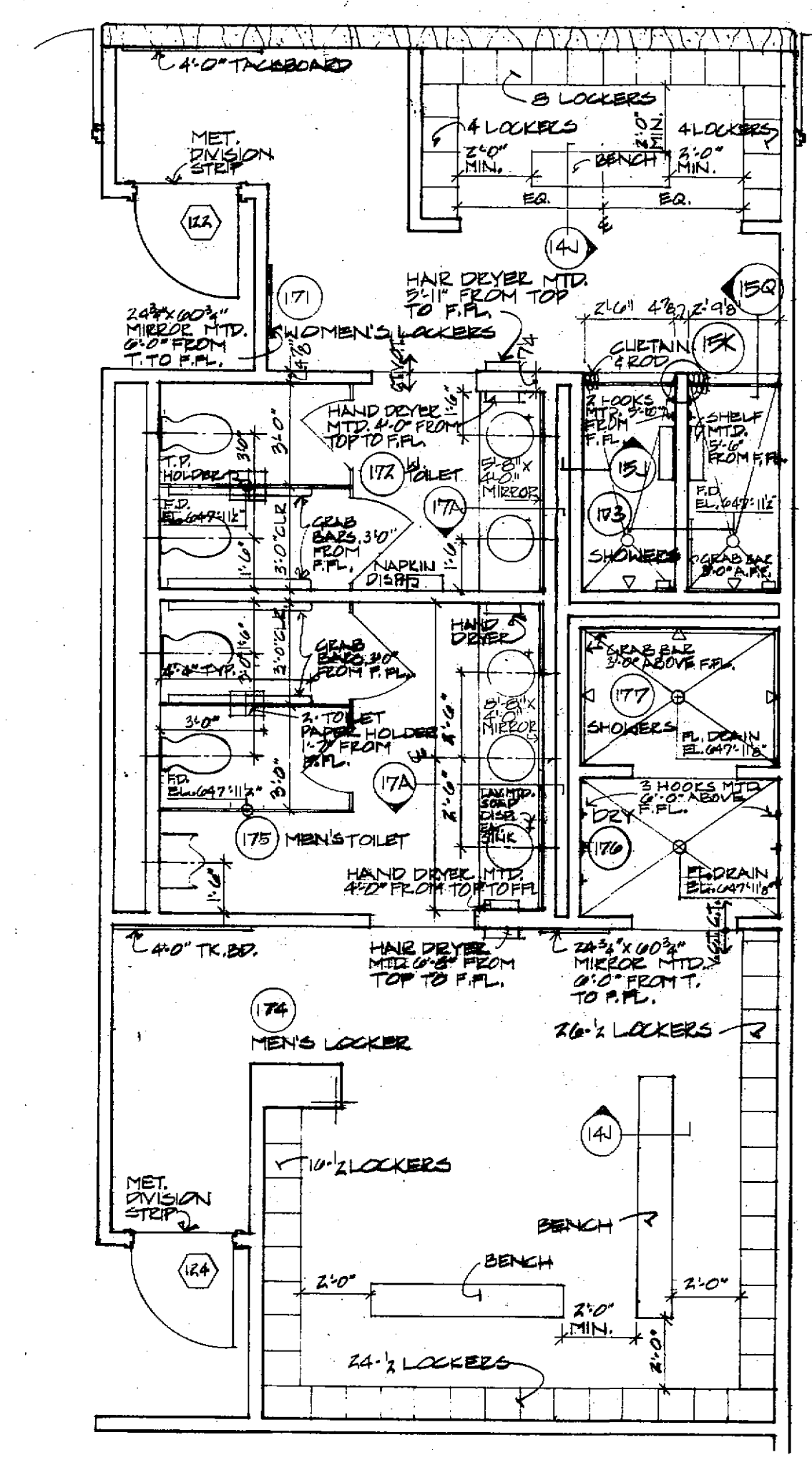
13E PHOTO LAB 161 & 160
4'-11" x 10'-0"



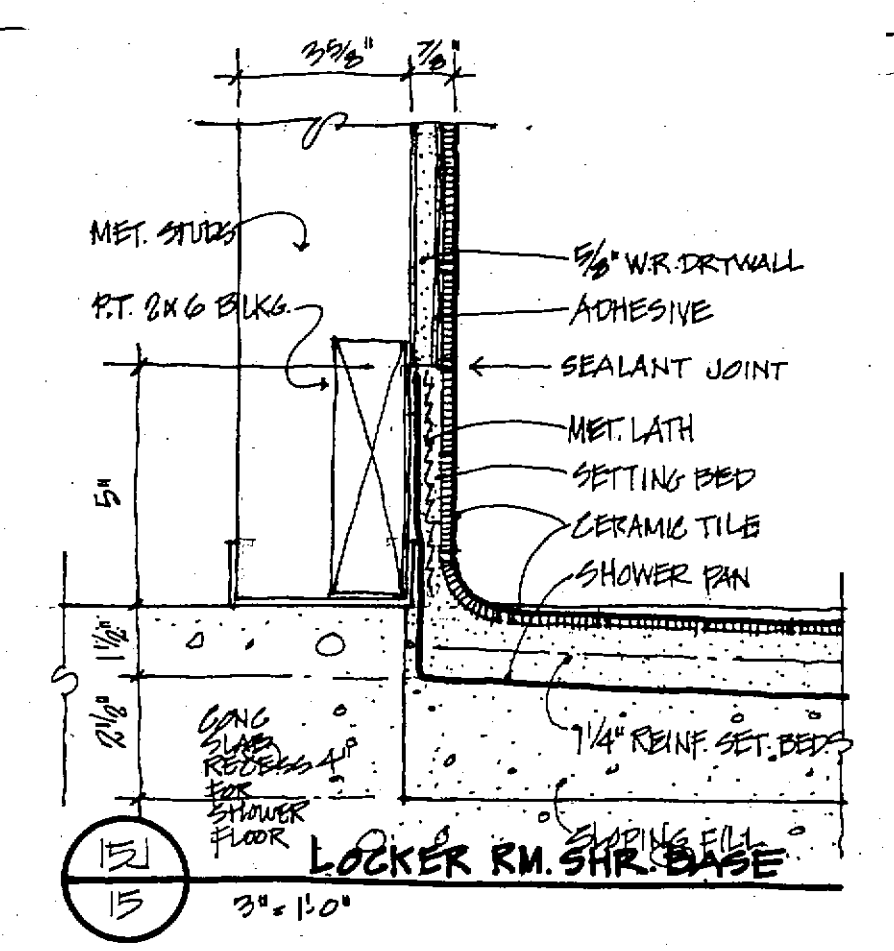
13F TOILET 33
4'-11" x 10'-0"



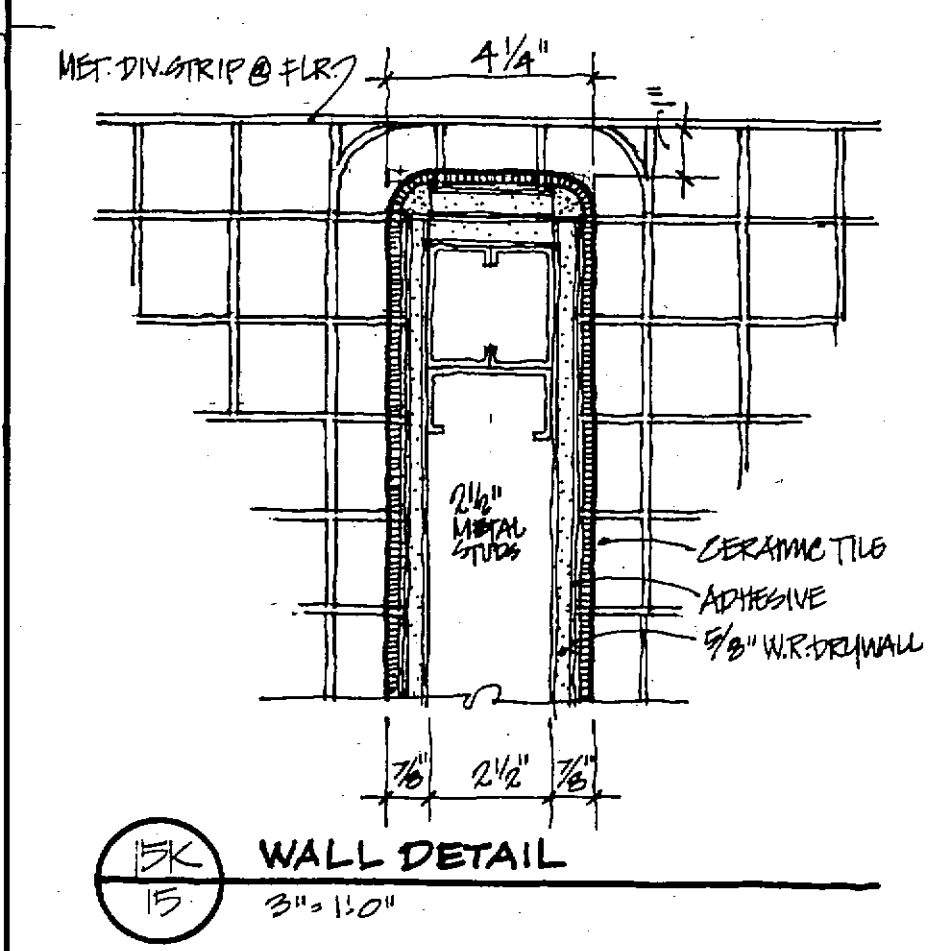
13G TOILET 96
4'-11" x 10'-0"



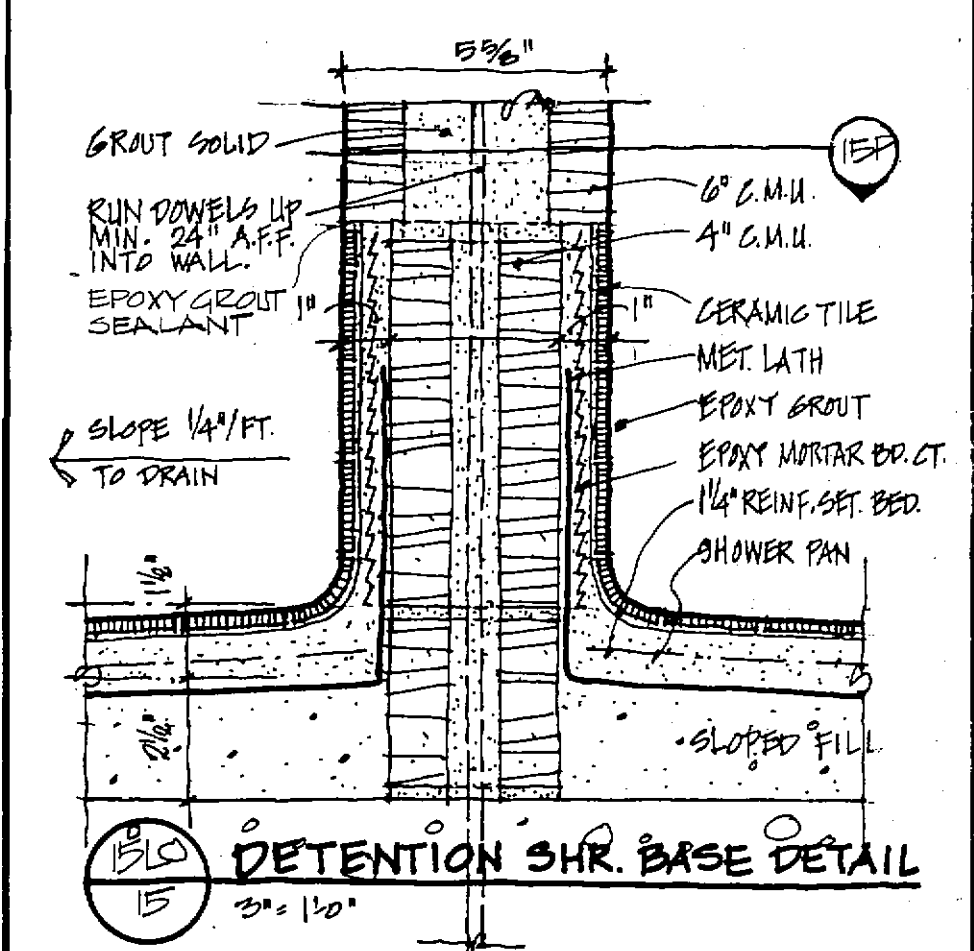
13M LOCKER ROOMS
4'-11" x 10'-0"



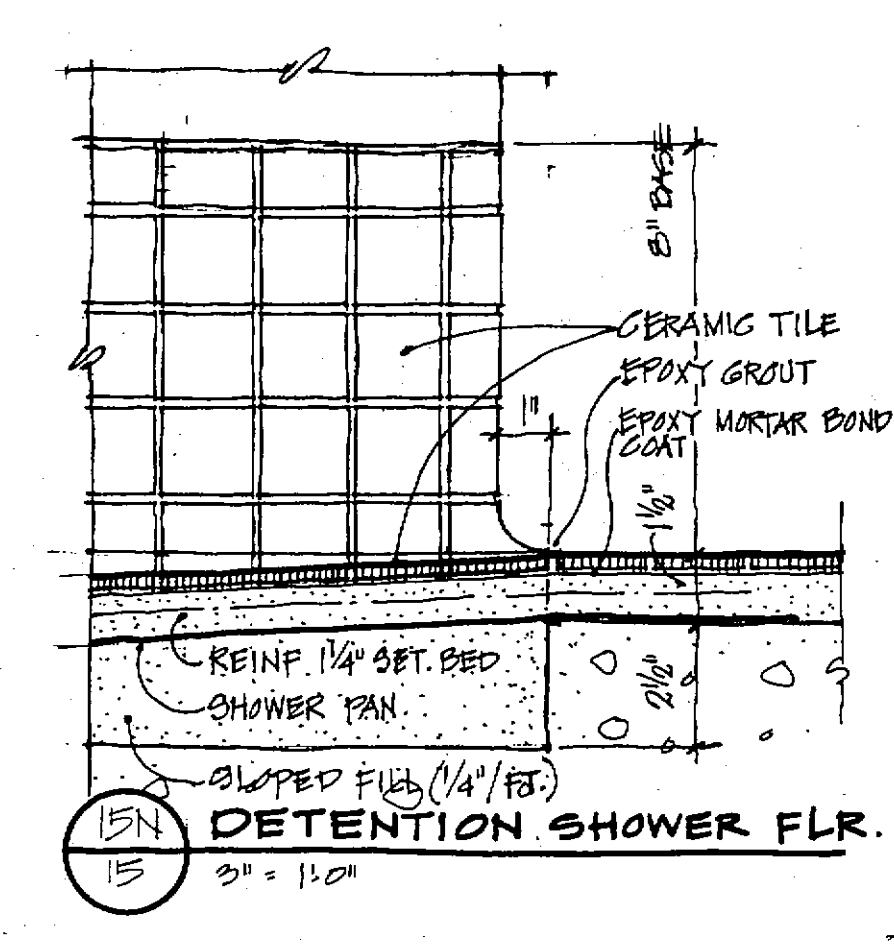
13J LOCKER RM. SHR. BASE
3'-0\"/>



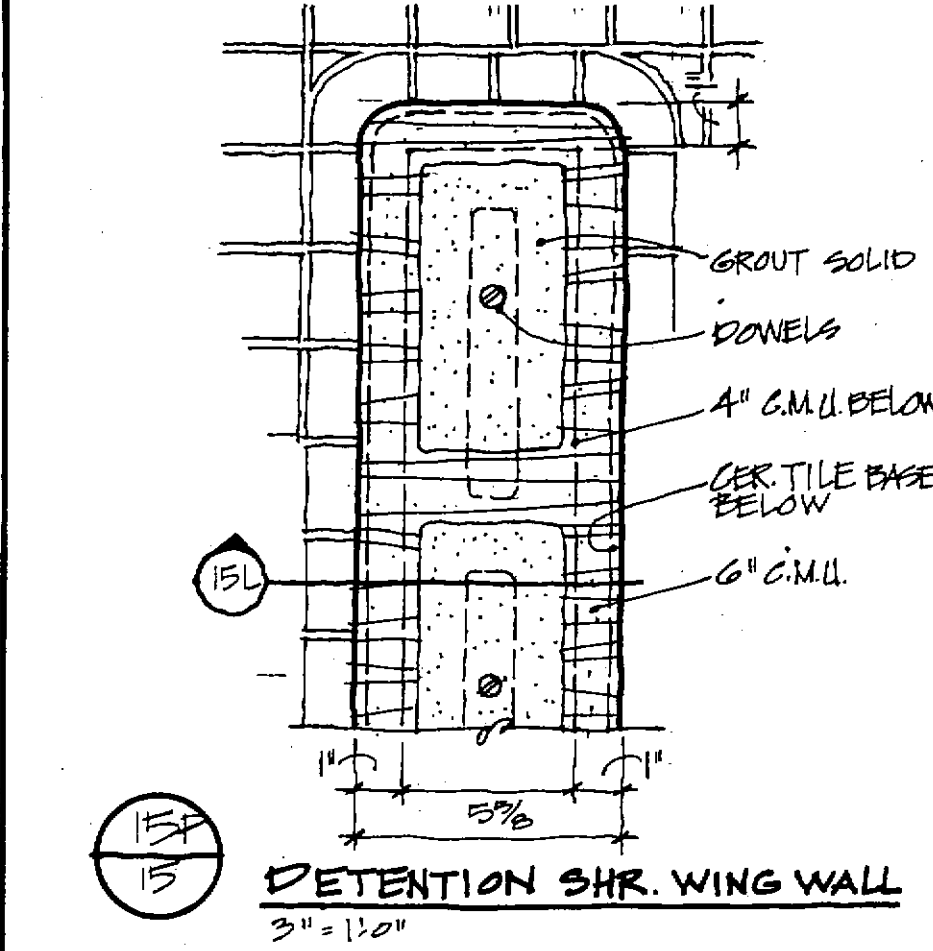
13K WALL DETAIL
3'-0\"/>



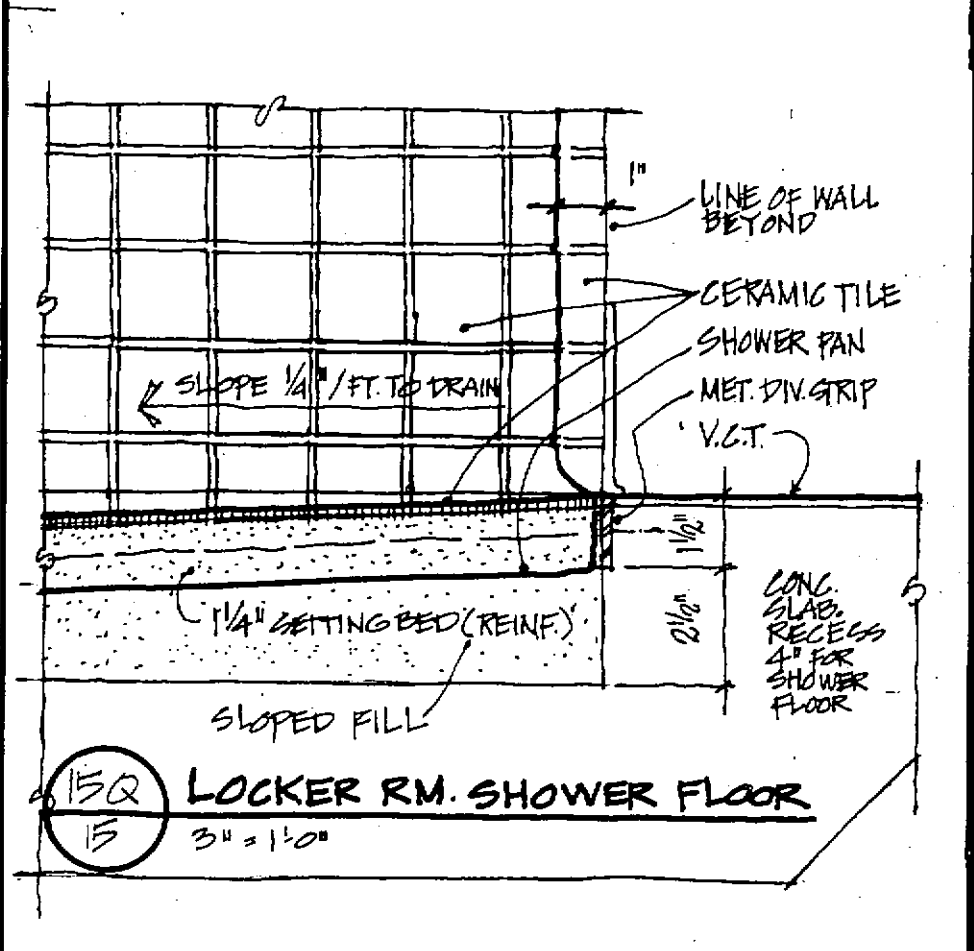
13L DETENTION SHR. BASE DETAIL
3'-0\"/>



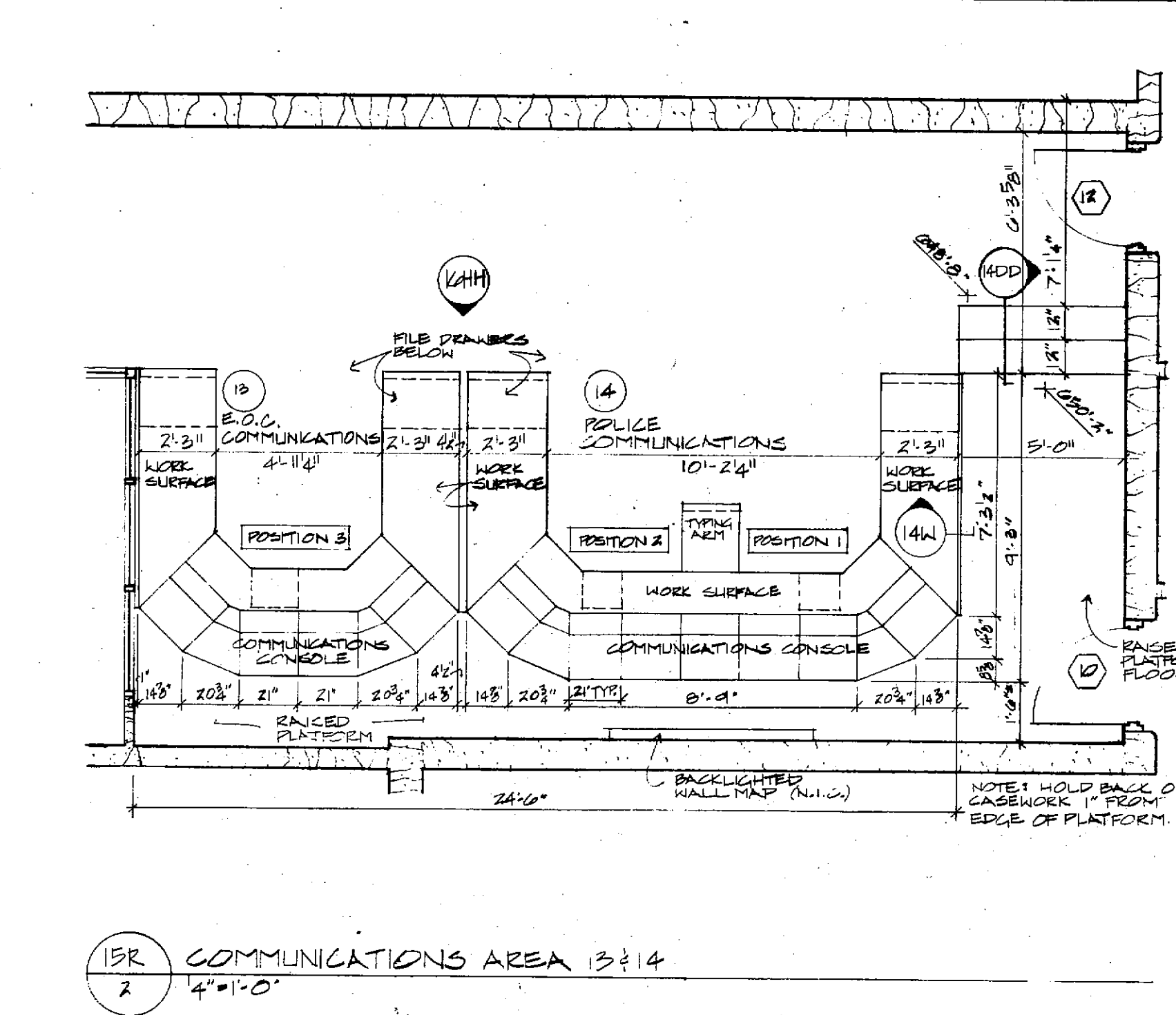
13N DETENTION SHOWER FLR.
3'-0\"/>



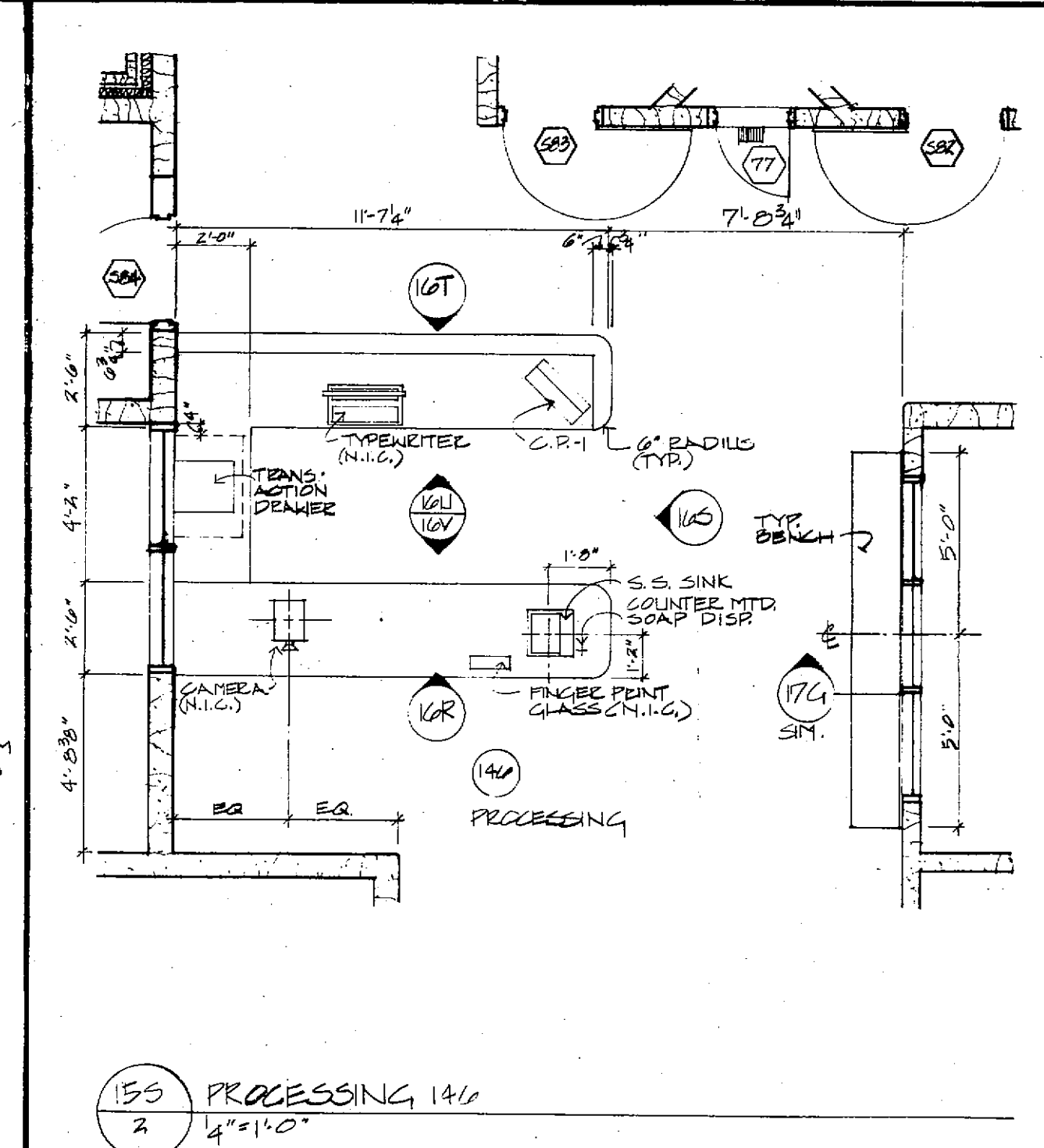
13P DETENTION SHR. WING WALL
3'-0\"/>



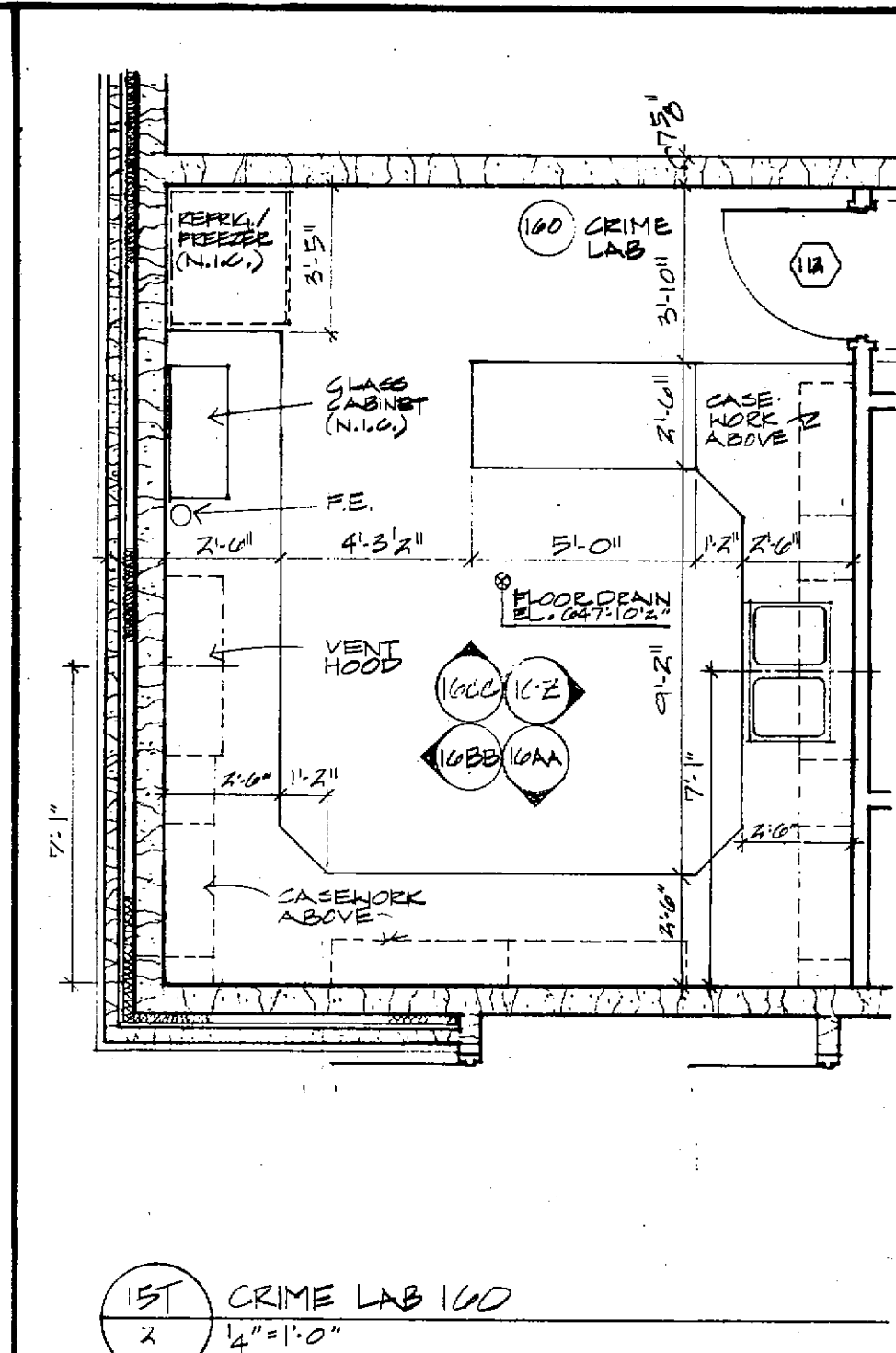
13Q LOCKER RM. SHOWER FLOOR
3'-0\"/>



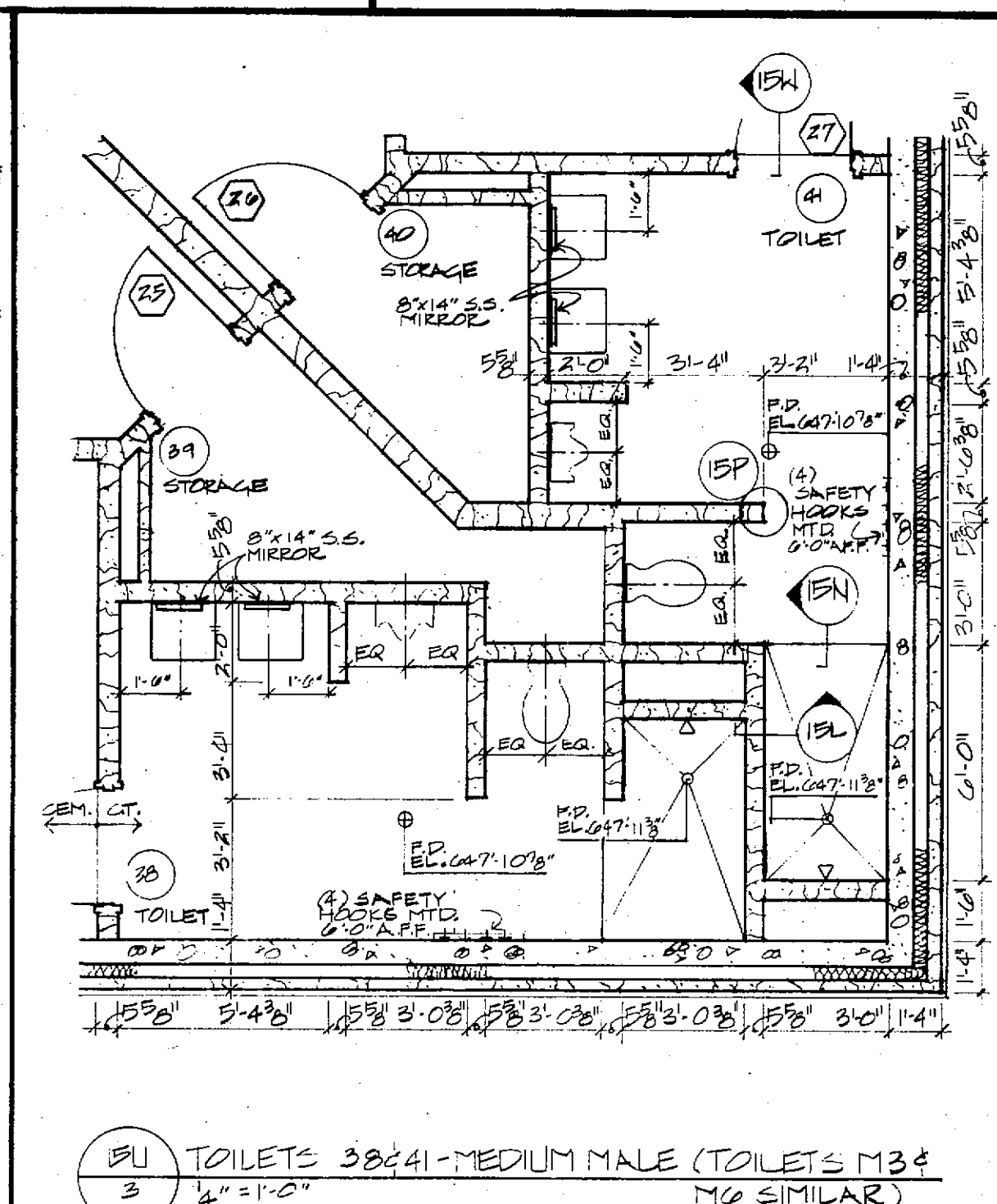
13R COMMUNICATIONS AREA 13 & 14
4'-11" x 10'-0"



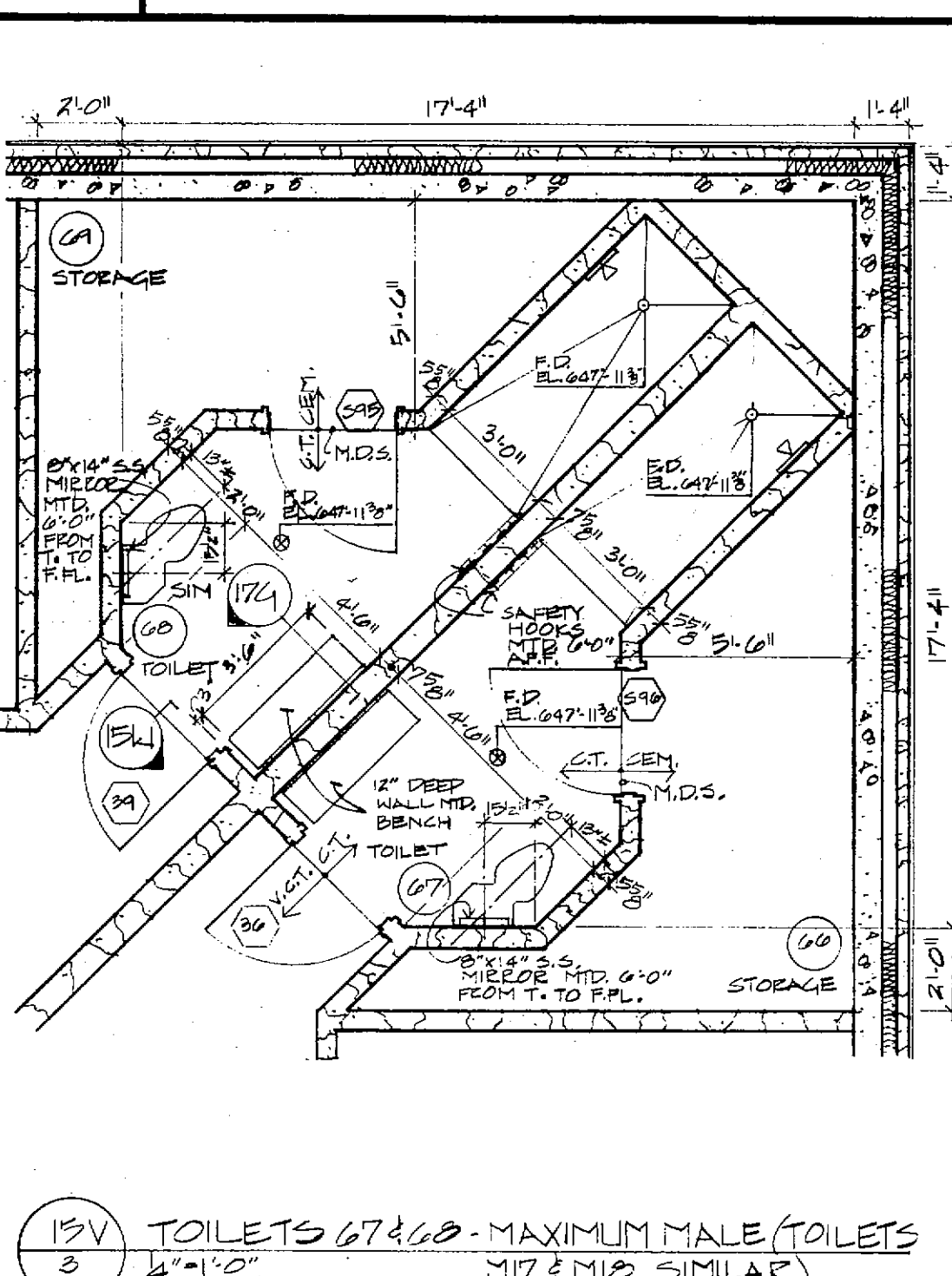
13S PROCESSING 146
4'-11" x 10'-0"



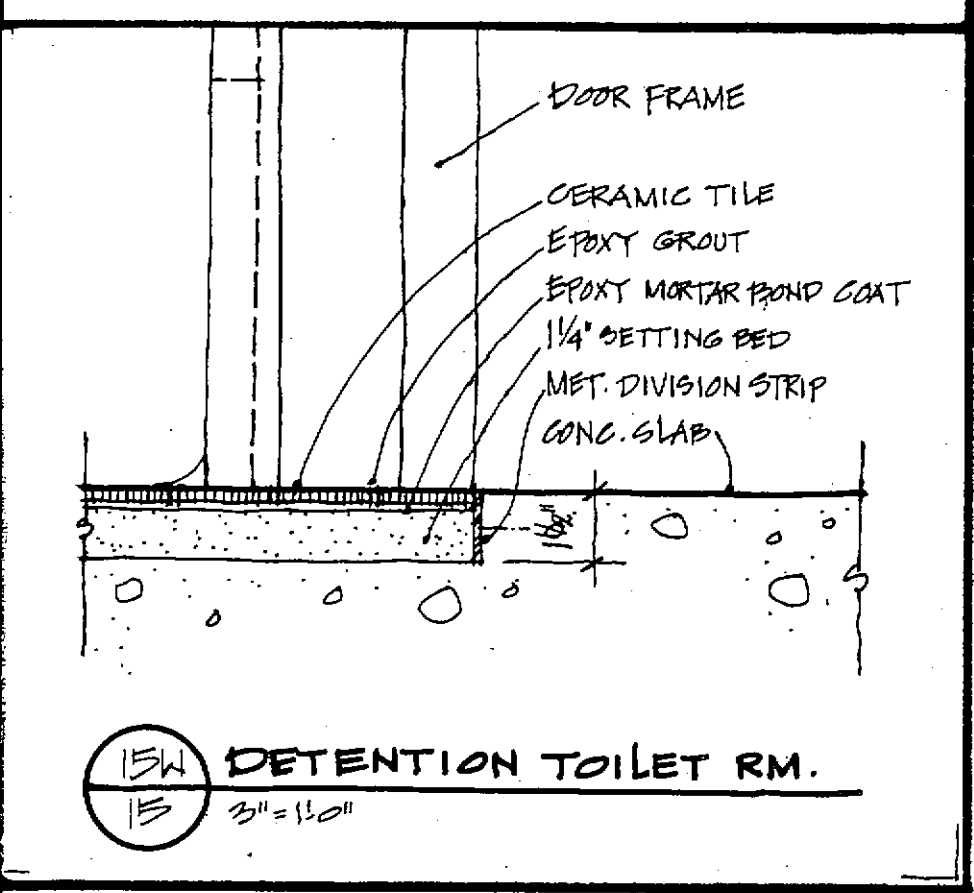
13T CRIME LAB 140
4'-11" x 10'-0"



13U TOILETS 38 & 41 - MEDIUM MALE (TOILETS 134 & 135 SIMILAR)
4'-11" x 10'-0"



13V TOILETS 67 & 68 - MAXIMUM MALE (TOILETS 117 & 118 SIMILAR)
4'-11" x 10'-0"



13W DETENTION TOILET RM.
3'-0\"/>

FRANKLIN COUNTY ADULT JAIL
UNION, MISSOURI

PEARCE CORPORATION
One Merchants Center
St. Louis, Missouri 63101

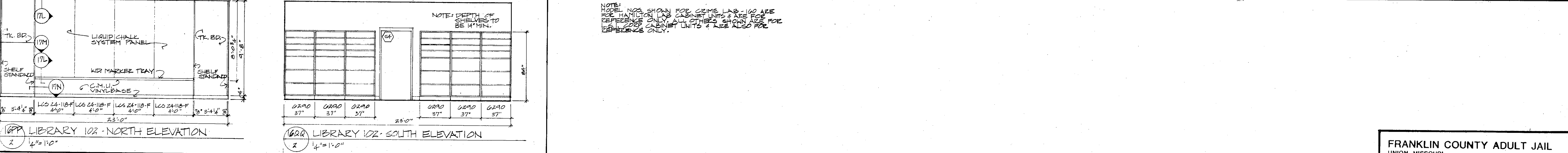
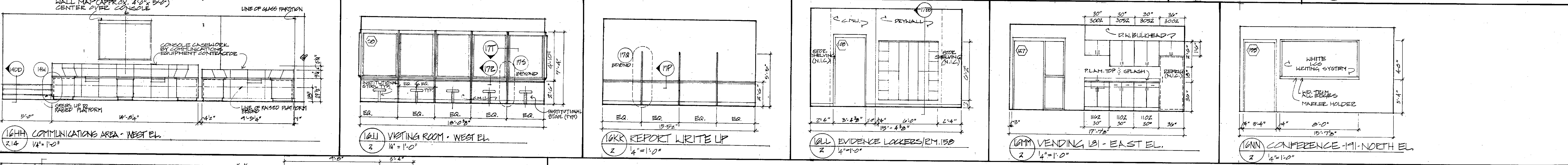
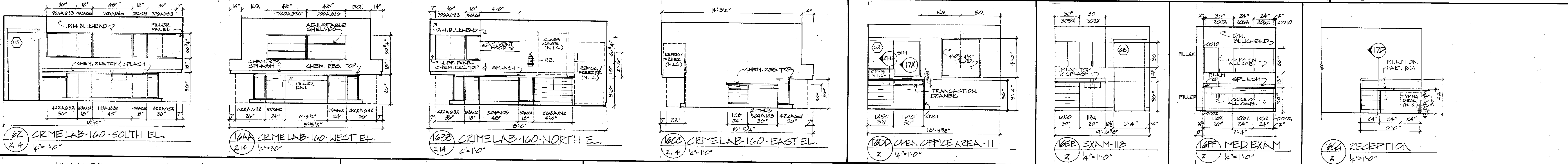
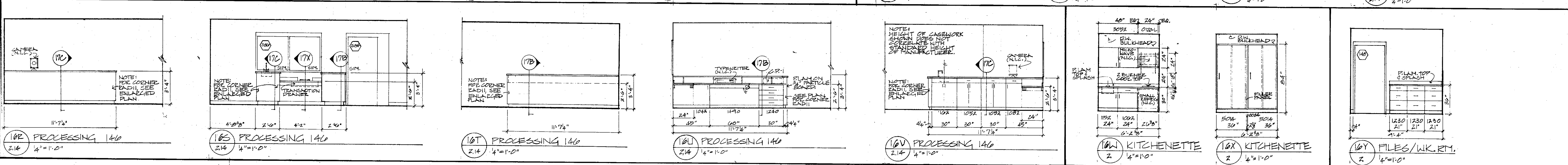
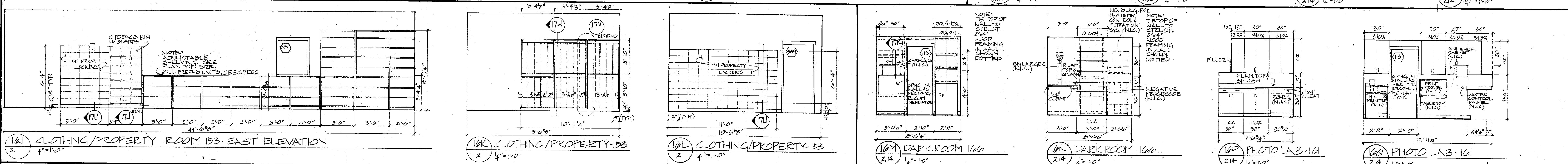
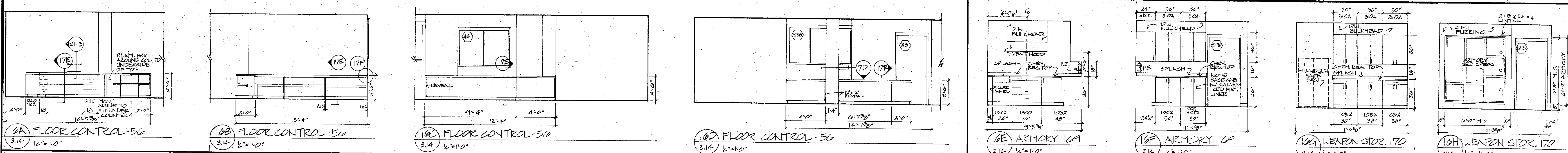
Sinbold, Snyow & Effenbaum Inc.
Structural Engineers
Colton/Lester/Niederhorn Associates, Inc.
Mechanical & Electrical Engineers
Walker McGough Foltz Lyria, P.S.
Security Consultants

STATE OF MISSOURI
REGISTERED ARCHITECT

DRAWN BY: [Signature]
CHECKED BY: [Signature]
REVISED: [Signature]
PROJ. NO.: 84-07.1.08
DATE: MARCH 22, 1985

15

OWNER NO.:



NOTE: MODEL NOS. SHOWN FOR CRIME LAB-160 ARE FOR HAMILTON LAB CABINET UNITS & ARE FOR REFERENCE ONLY. ALL OTHERS SHOWN ARE FOR REFERENCE ONLY.

FRANKLIN COUNTY ADULT JAIL
UNION, MISSOURI

PEARCE CORPORATION
One Mercantile Center
St. Louis, Missouri 63101

Siebold, Sydow & Eifanbaum Inc.
Structural Engineers
Colton/Lester/Niederhorn Associates, Inc.
Mechanical & Electrical Engineers
Walker McGough Foltz Lyster, P.S.
Security Consultants

STATE OF MISSOURI
REGISTERED ARCHITECT

DAVID W. PEARCE
A-1131

DRAWN BY
KEP

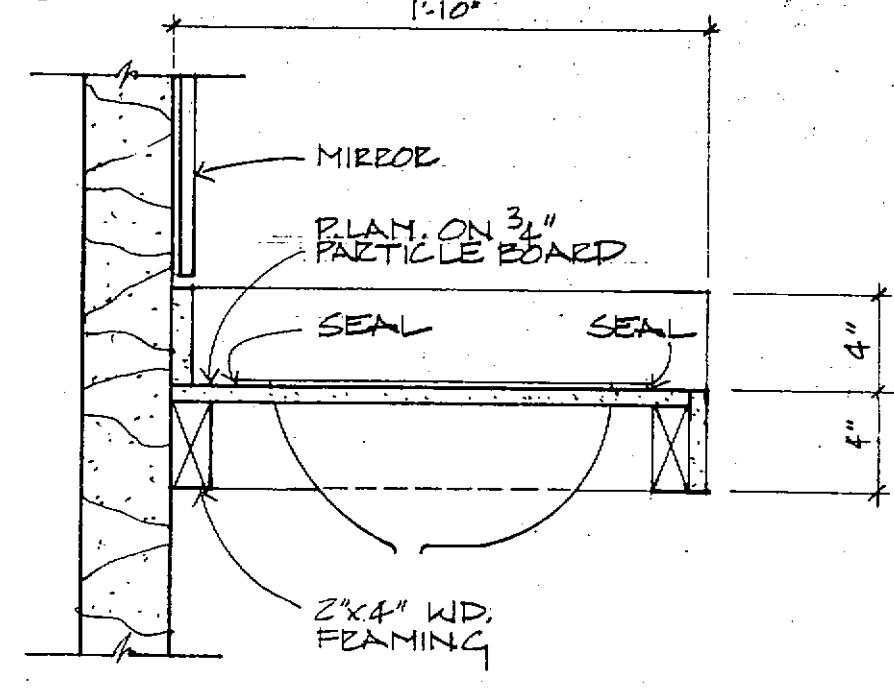
CHECKED BY
JKM

REVISED

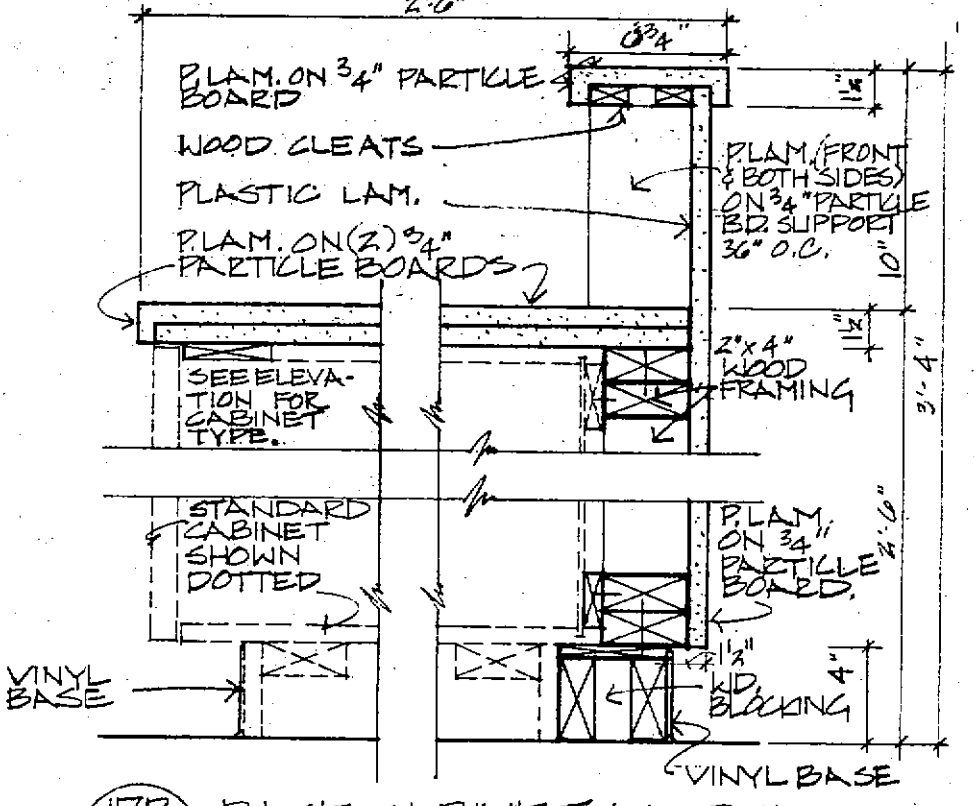
PROJ. NO.
84-07-1-00

DATE
MARCH 22, 1985

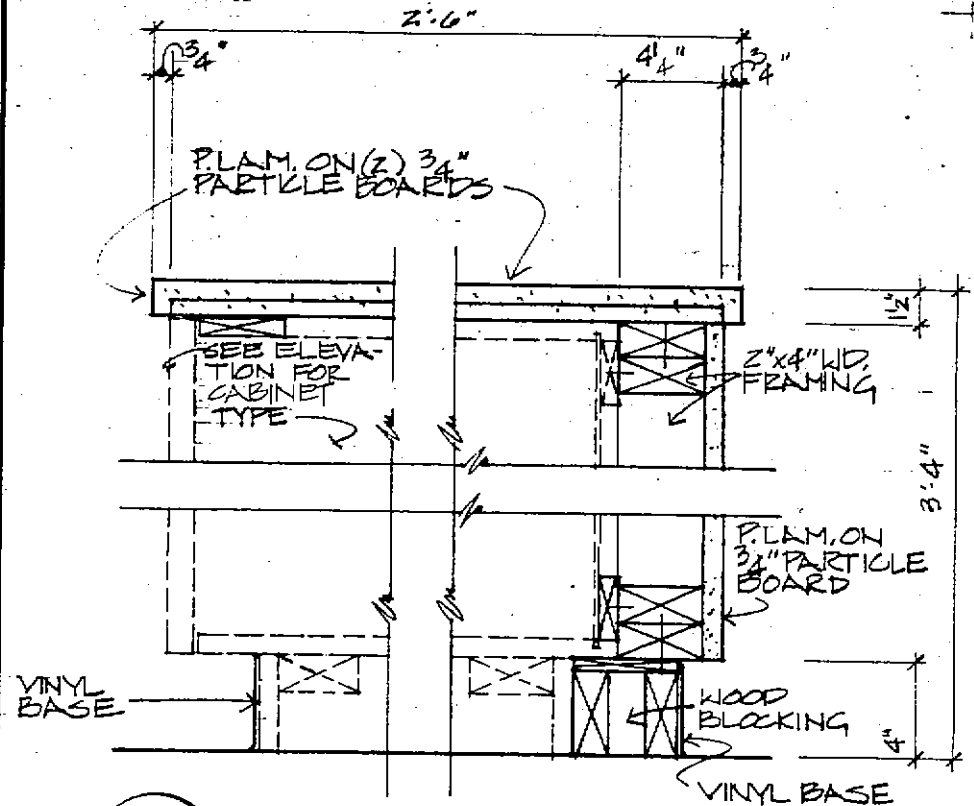
DRAWING NO.
16



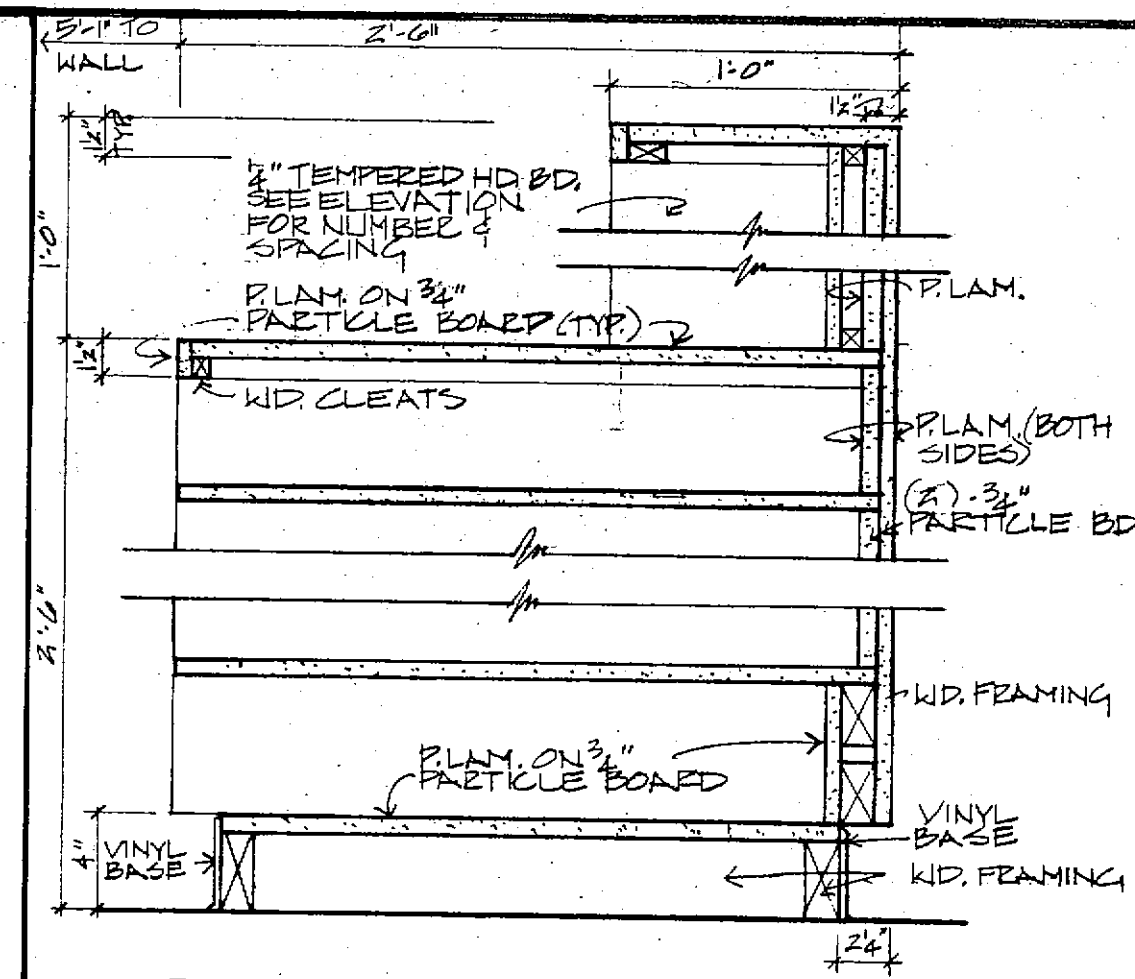
17A LAV/COUNTER DETAIL
1/2" x 1'-0"



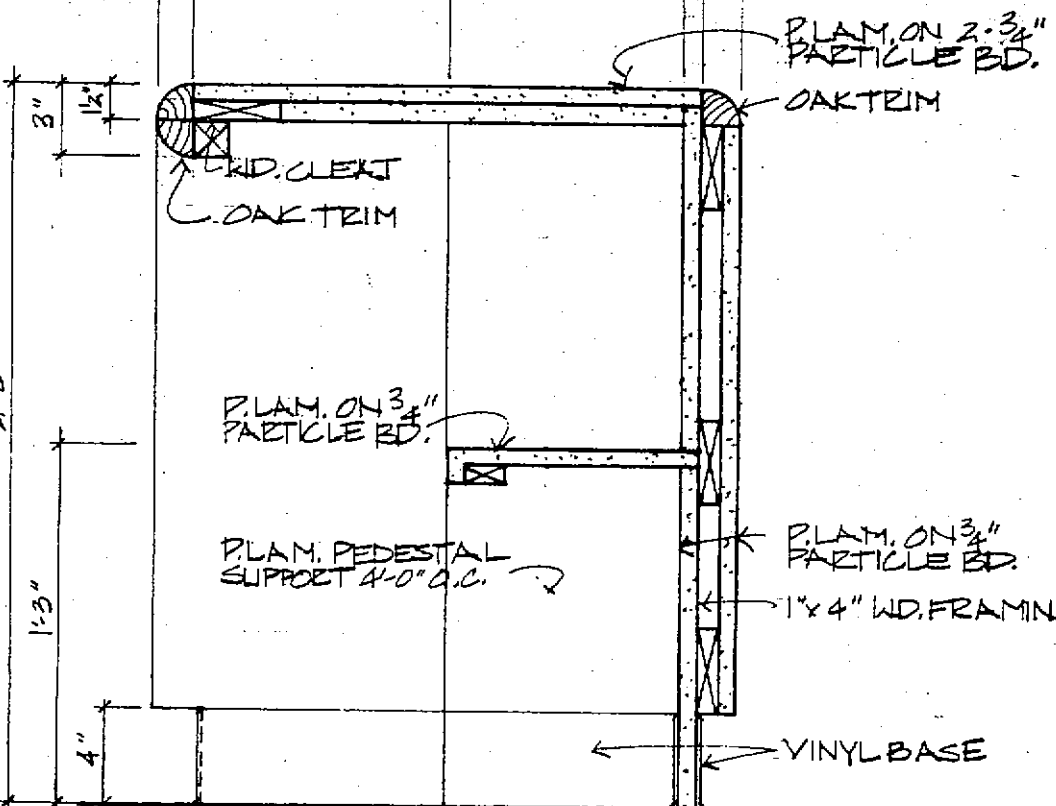
17B BASE CABINET DETAIL
1/2" x 1'-0"



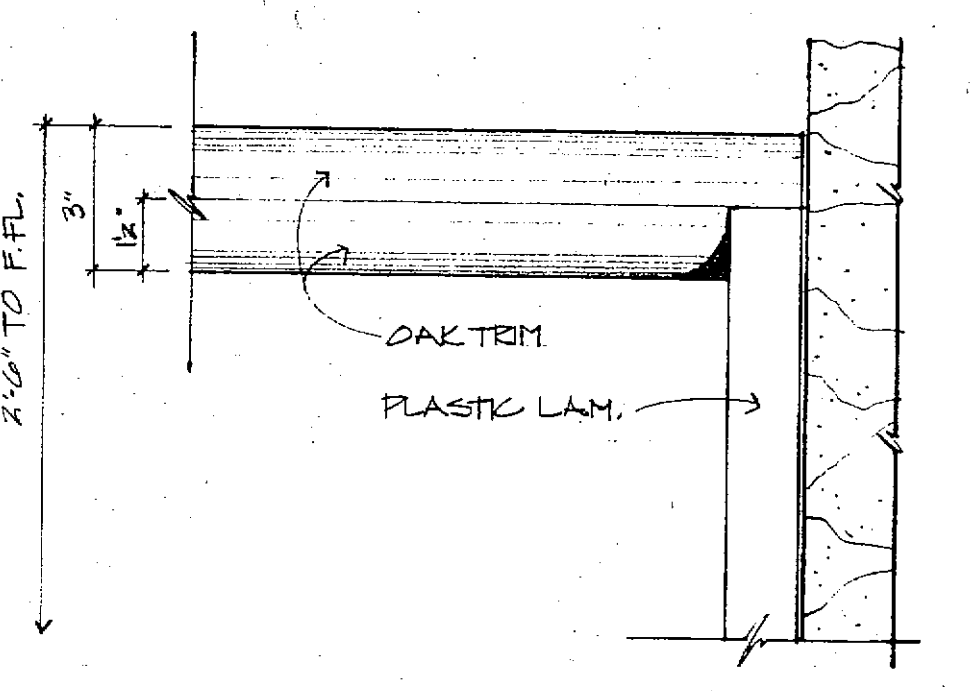
17C BASE CABINET DETAIL
1/2" x 1'-0"



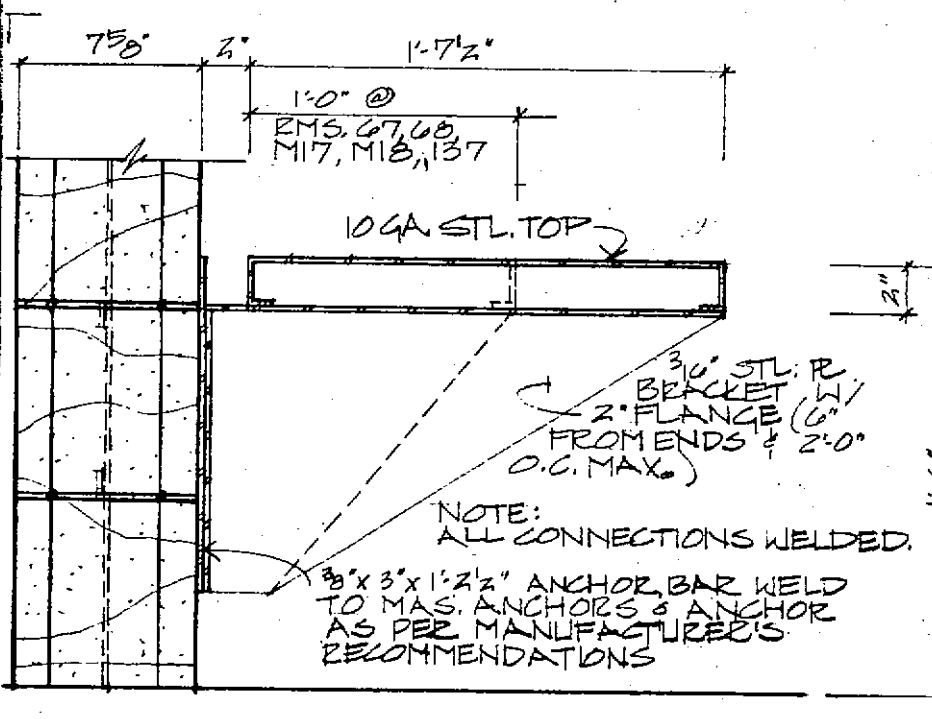
17D RECEPTION DESK DETAIL
1/2" x 1'-0"



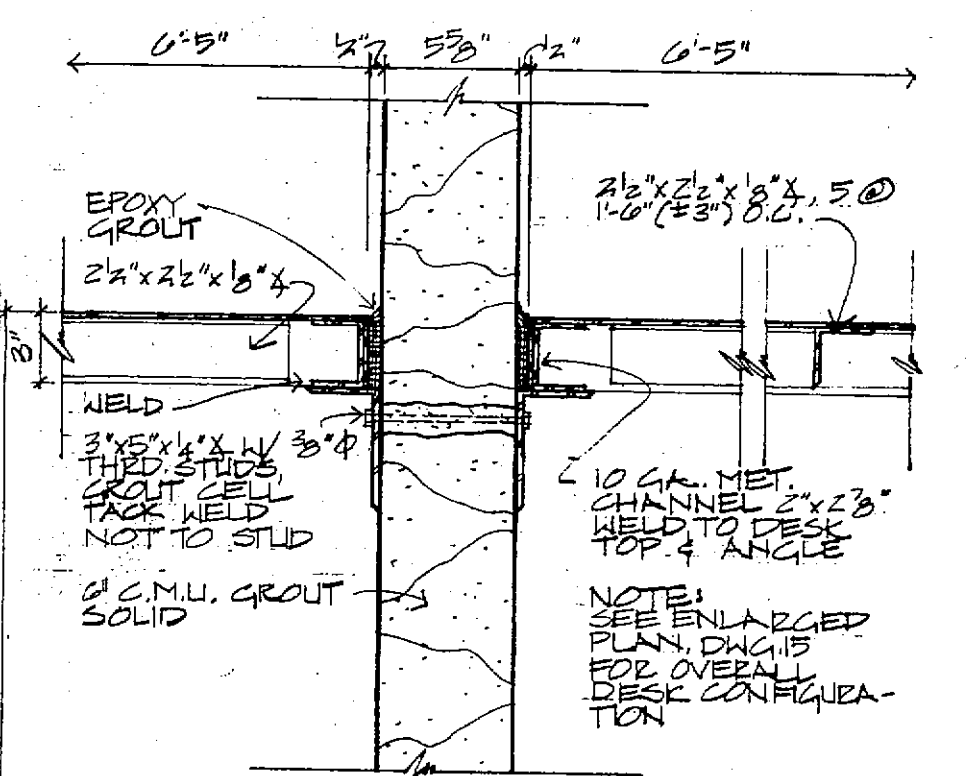
17E COUNTER DETAIL
1/2" x 1'-0"



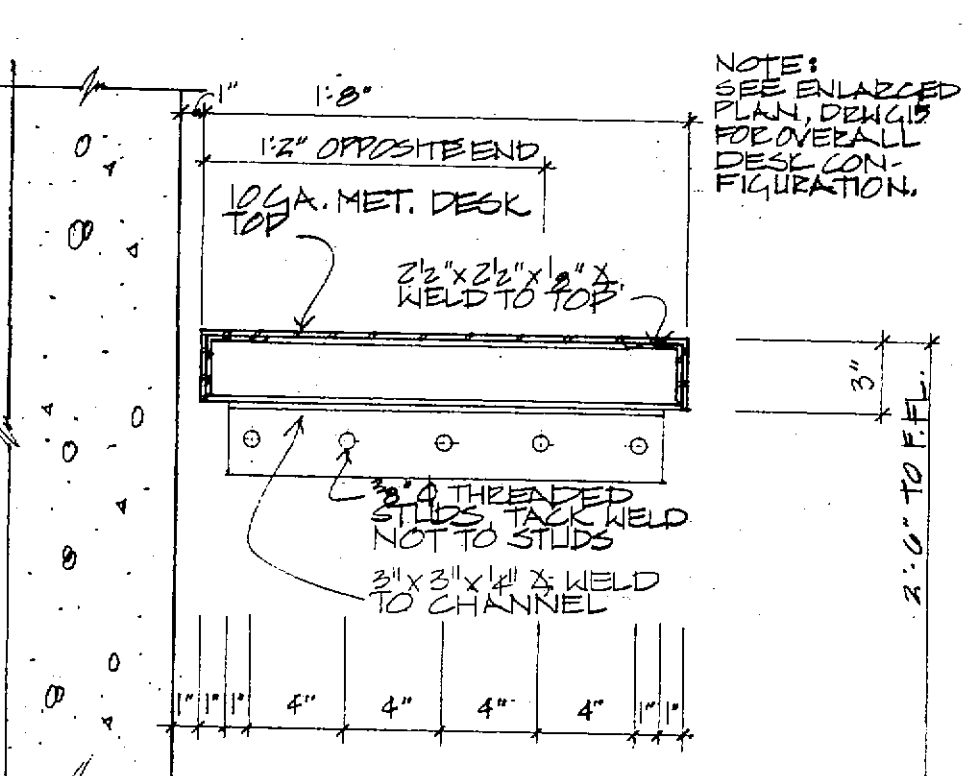
17F COUNTER DETAIL
3" x 1'-0"



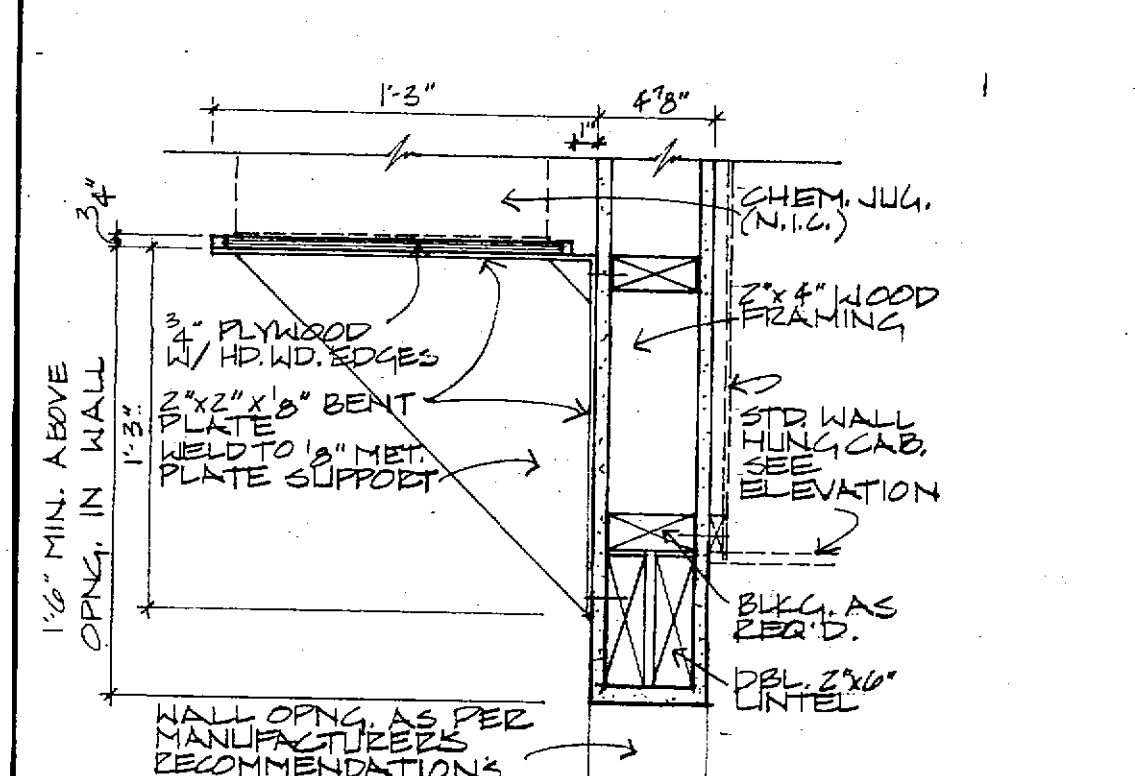
17G TYR. BENCH
1/2" x 1'-0"



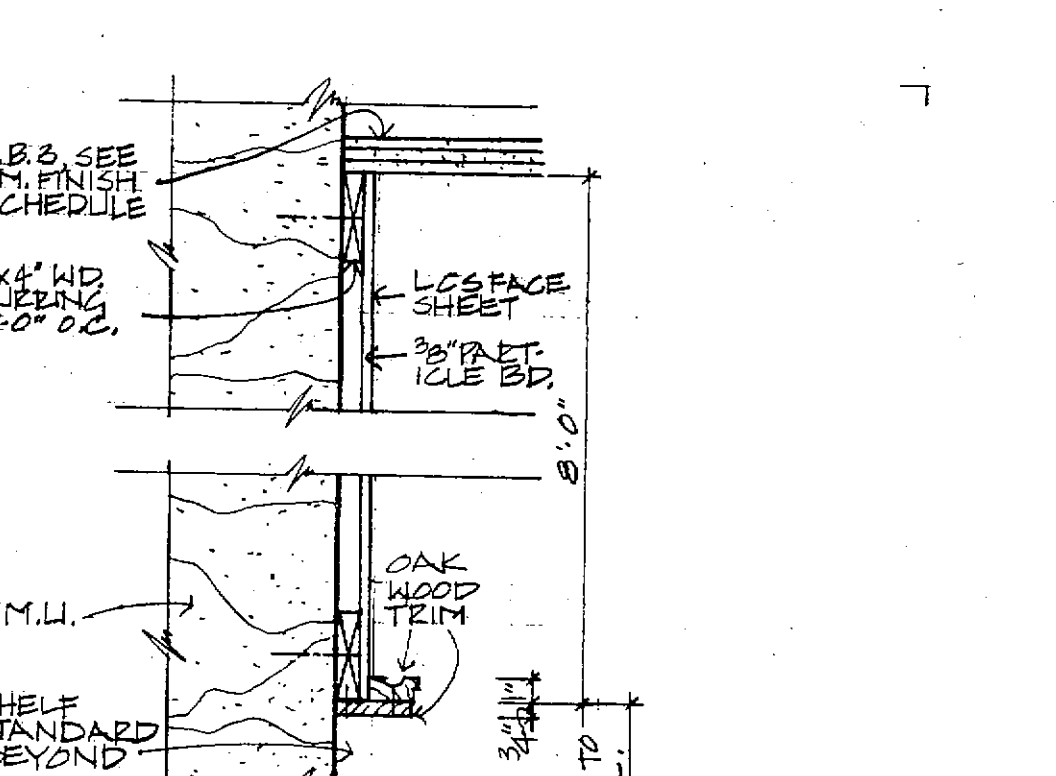
17H DESK DETAIL @ TYR. CELL
1/2" x 1'-0"



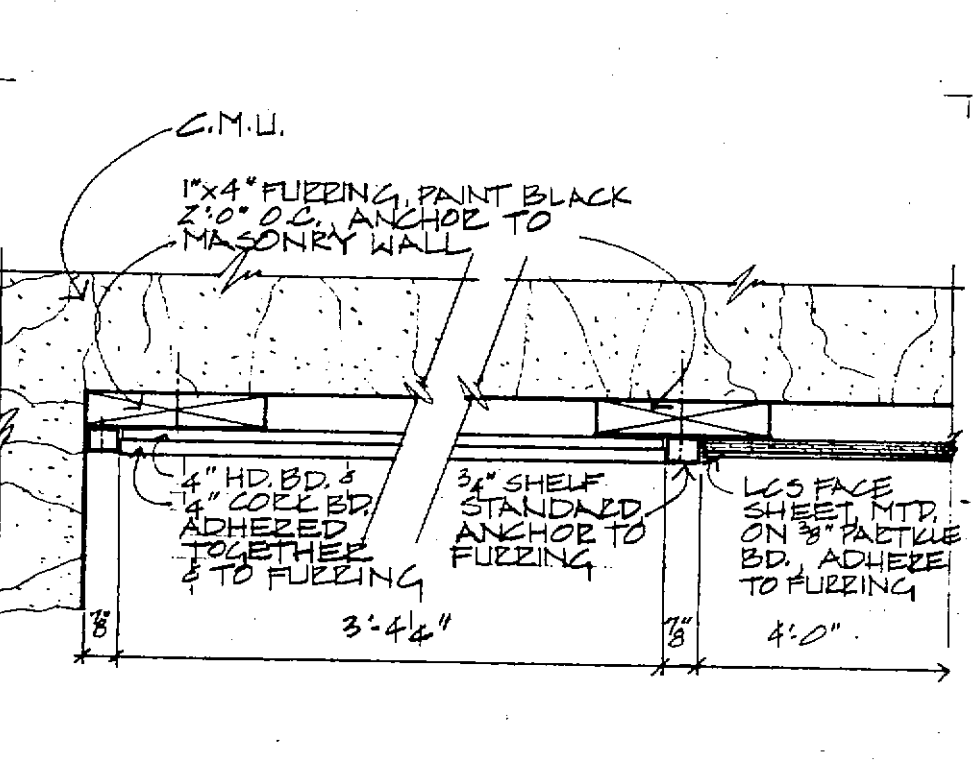
17I DESK DETAIL @ TYR. CELL
1/2" x 1'-0"



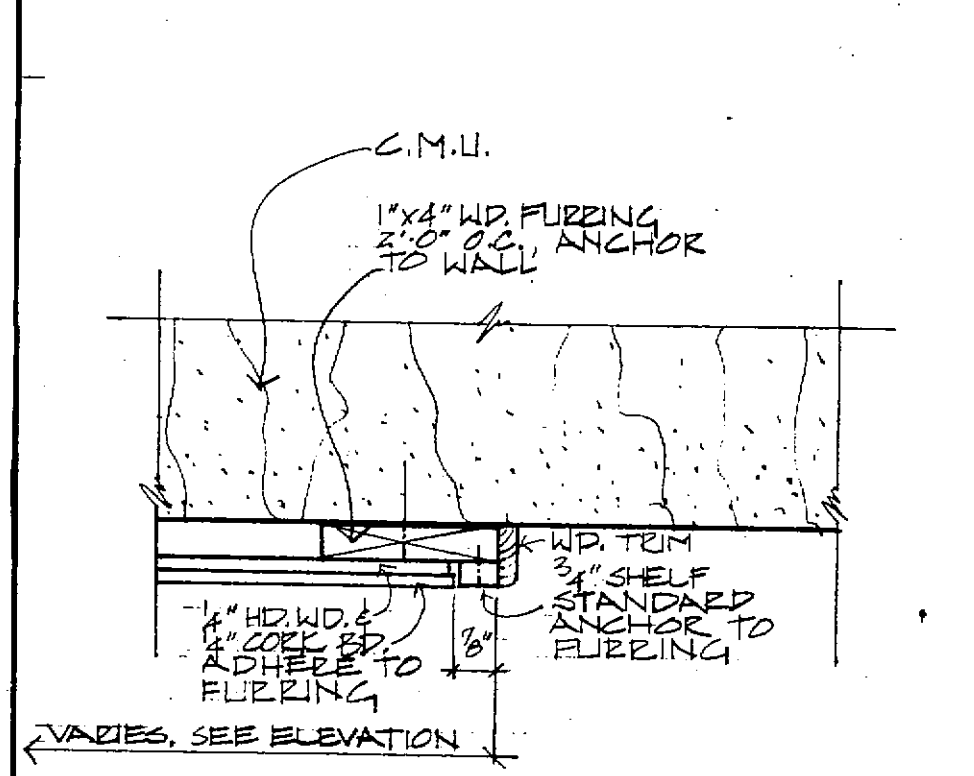
17K SHELVING DETAIL
1/2" x 1'-0"



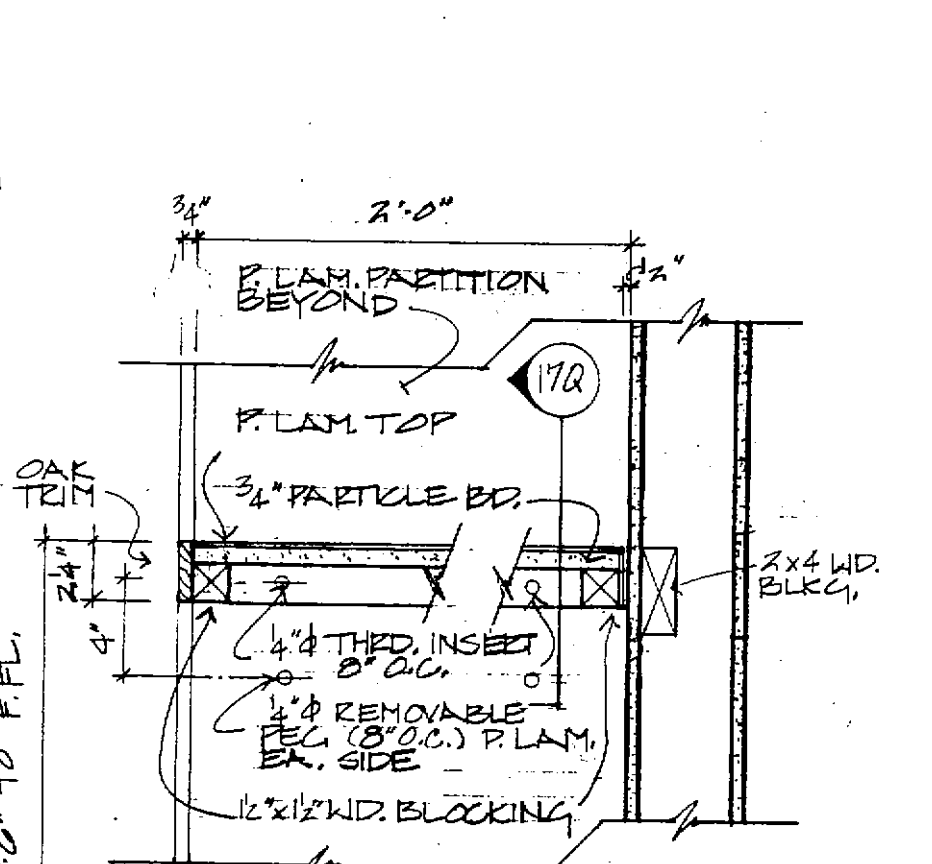
17L L.C.S. DETAIL
1/2" x 1'-0"



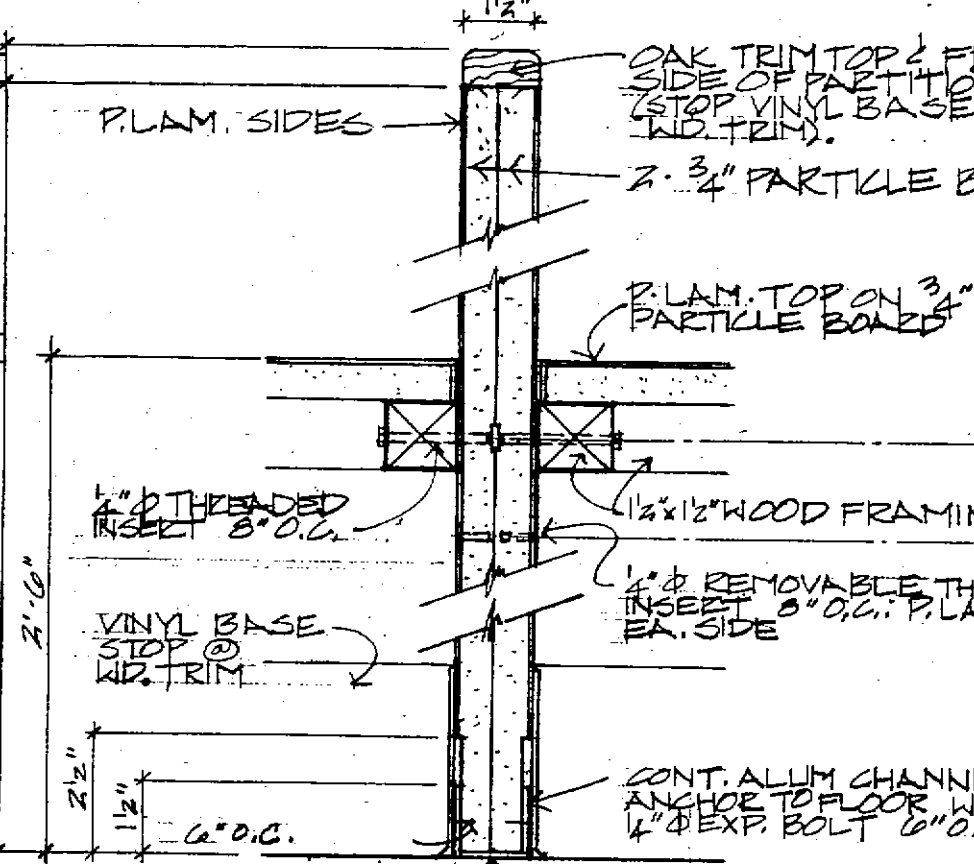
17M TR. BD./L.C.S. DETAIL
1/2" x 1'-0"



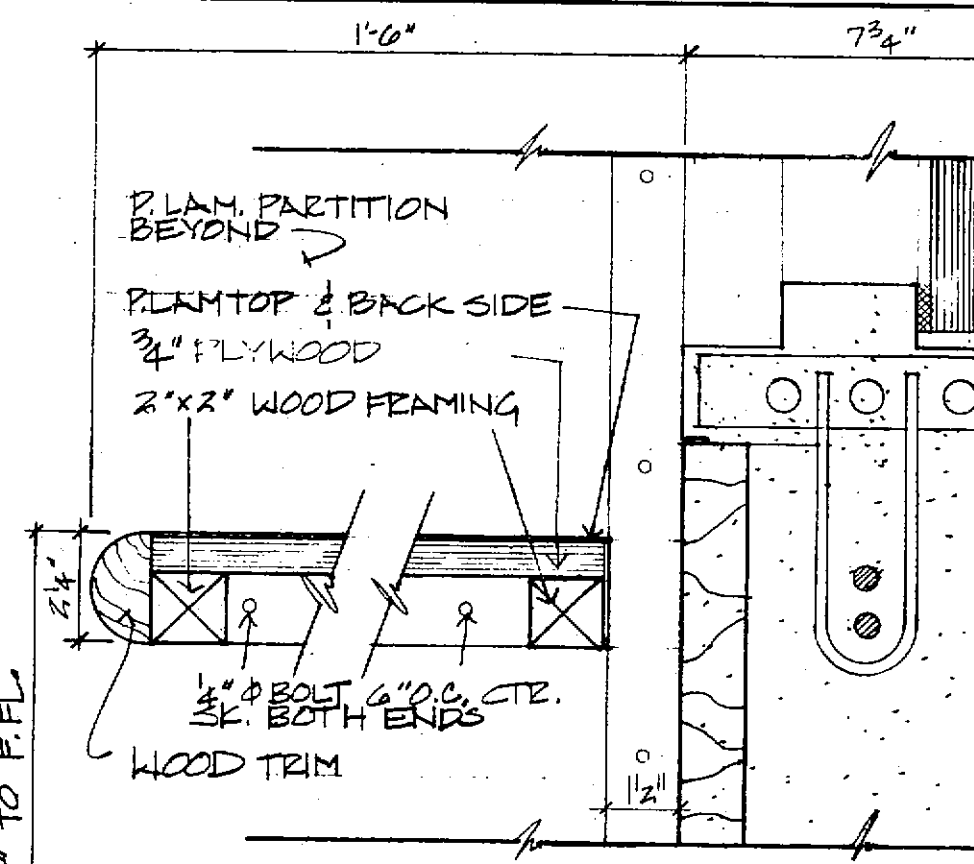
17N TACK BOARD DETAIL
3" x 1'-0"



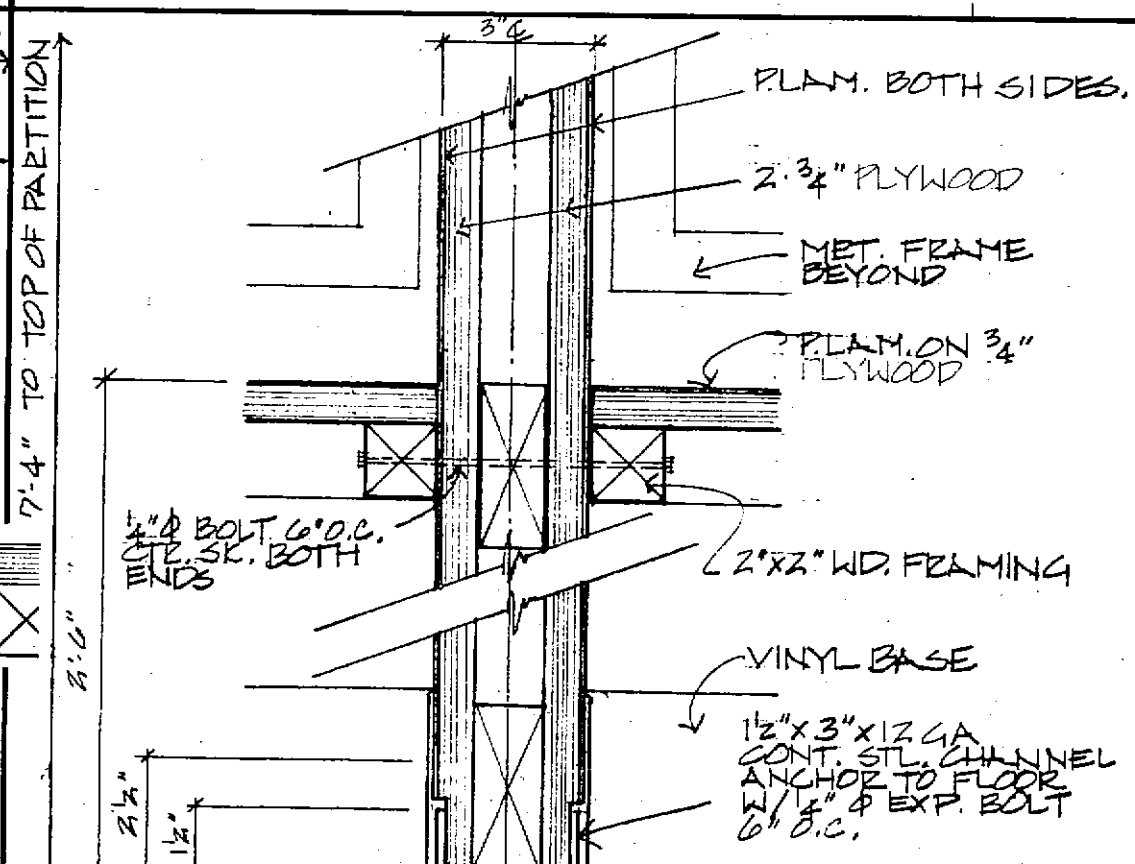
17P REPORT WRITE UP DETAIL
1/2" x 1'-0"



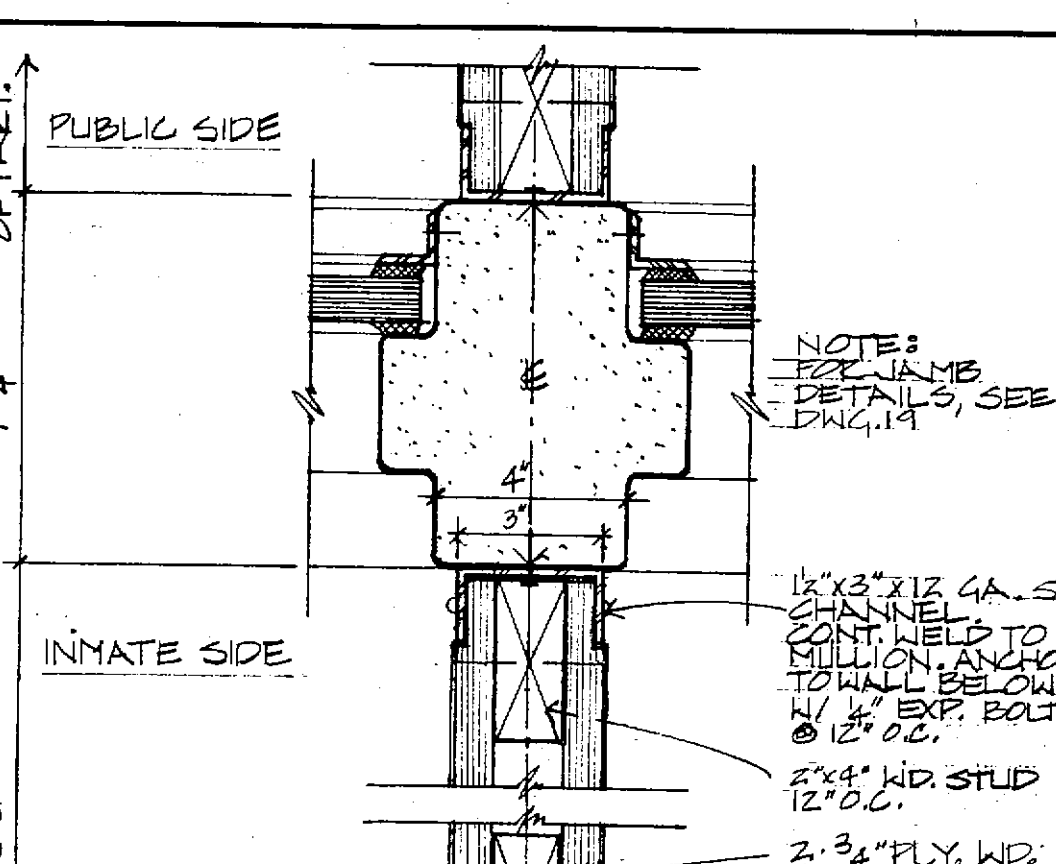
17Q PARTITION DETAIL
3" x 1'-0"



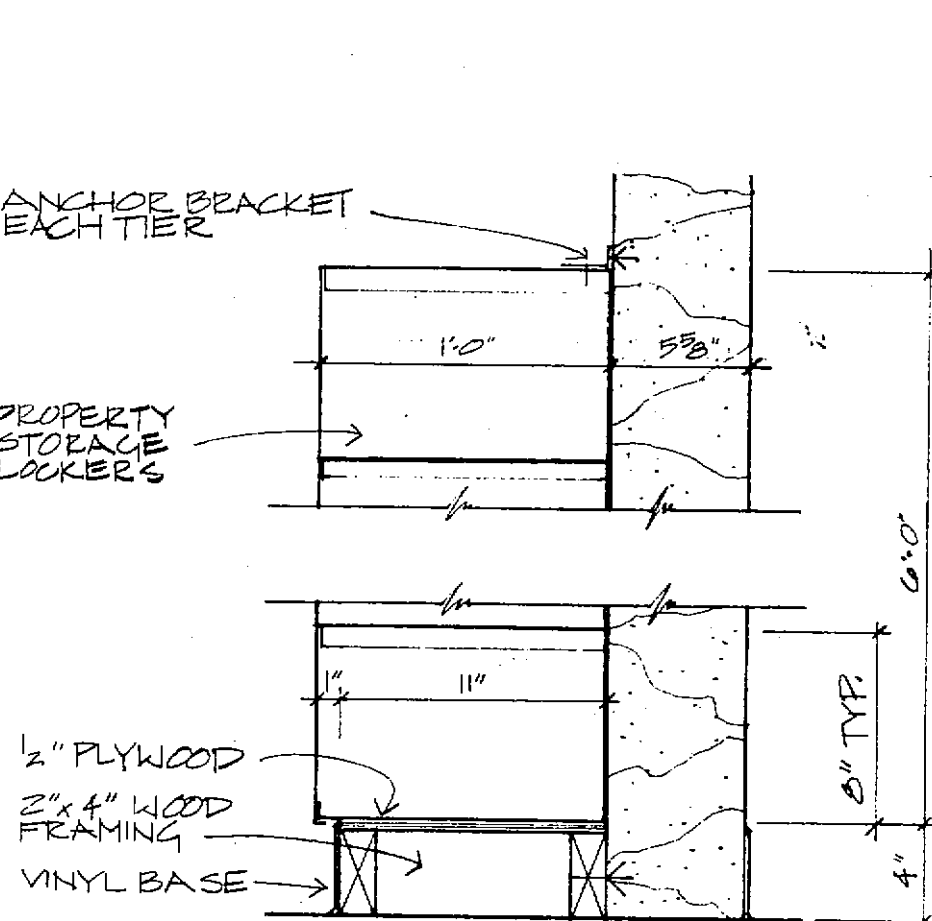
17R VISITING ROOM DETAIL
3" x 1'-0"



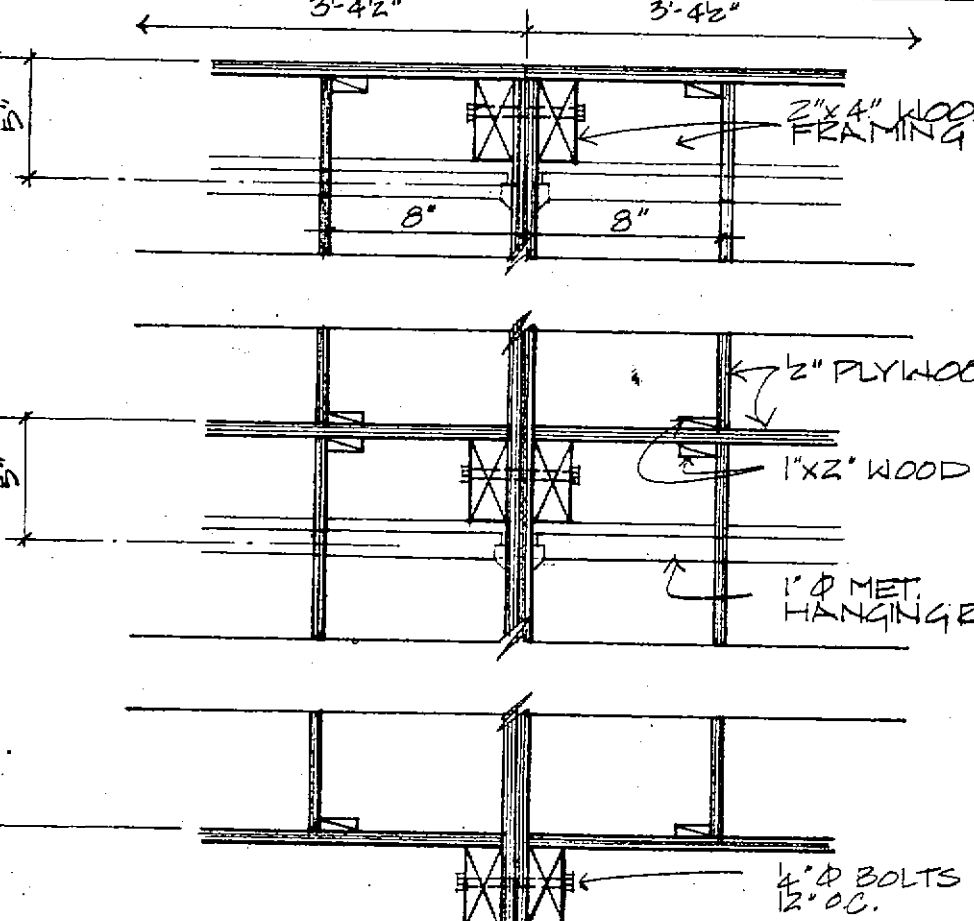
17S PARTITION DETAIL
3" x 1'-0"



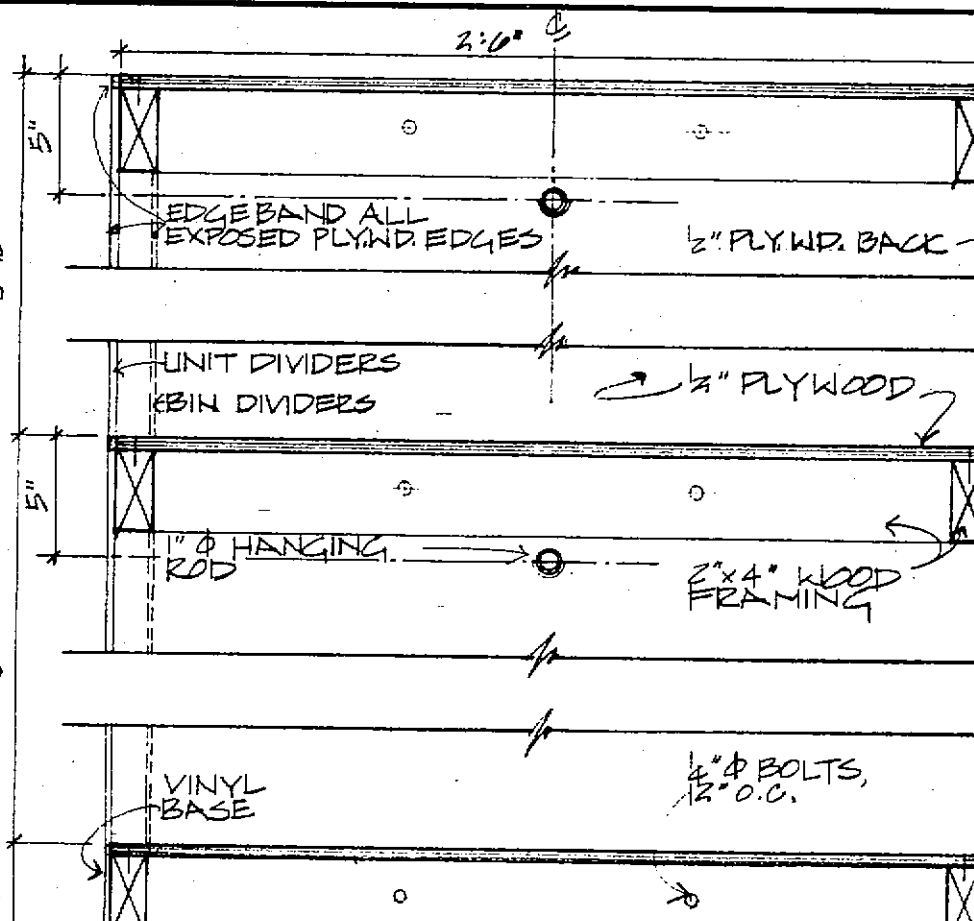
17T JAMB/PARTITION @ VISITING
3" x 1'-0"



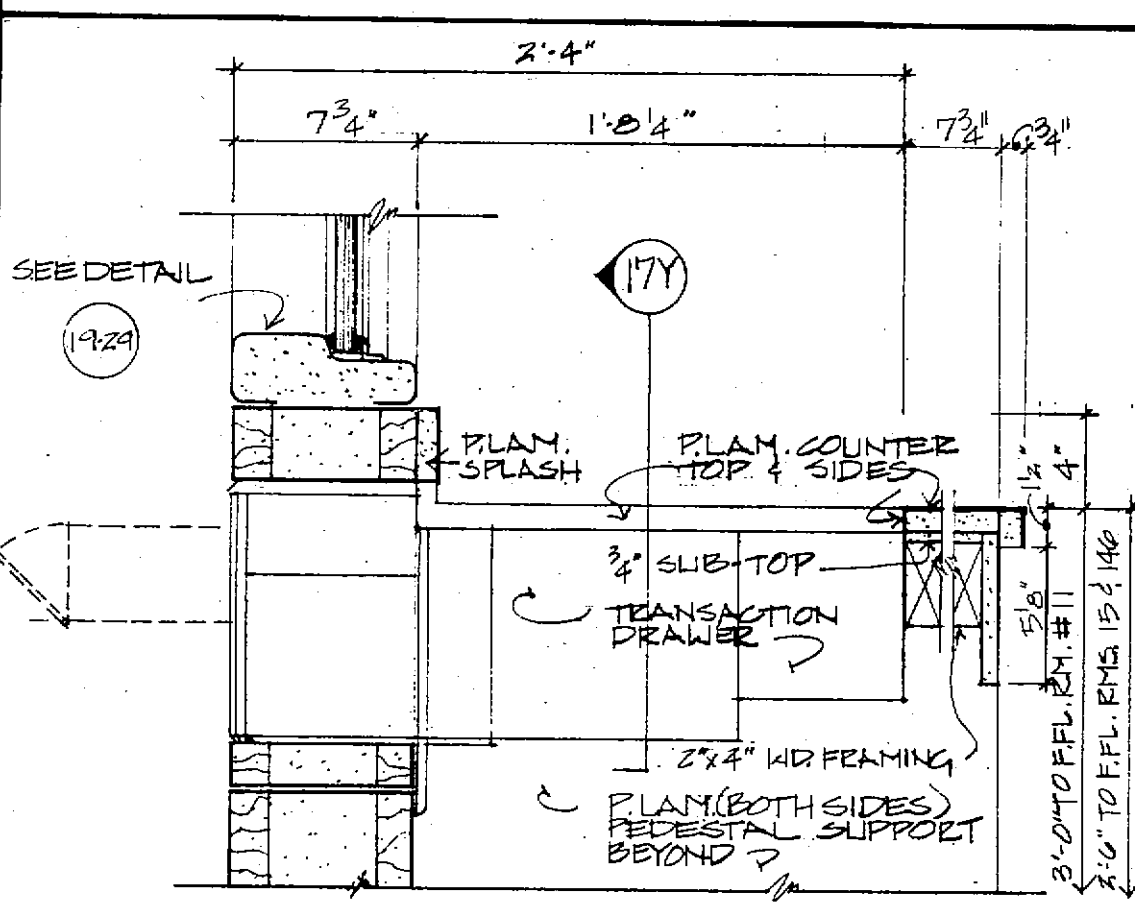
17U LOCKER DETAIL
1/2" x 1'-0"



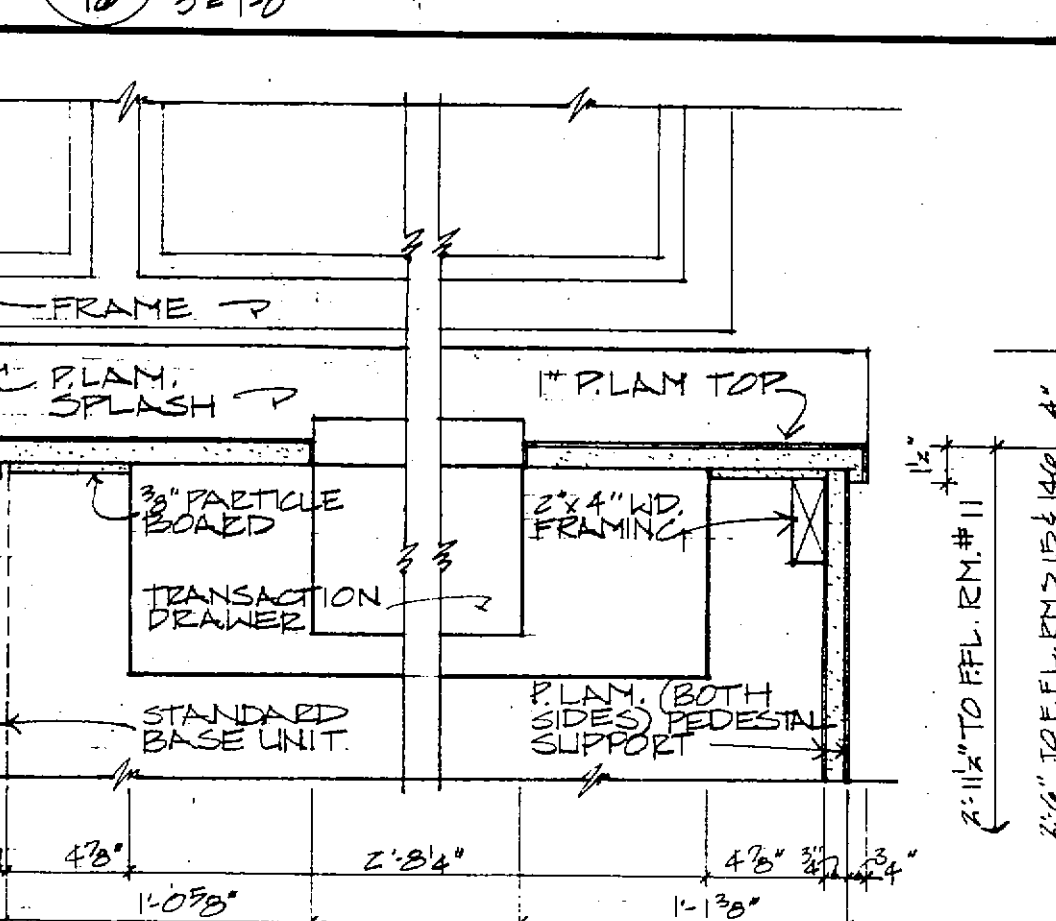
17V HANGING STORAGE DETAIL
1/2" x 1'-0"



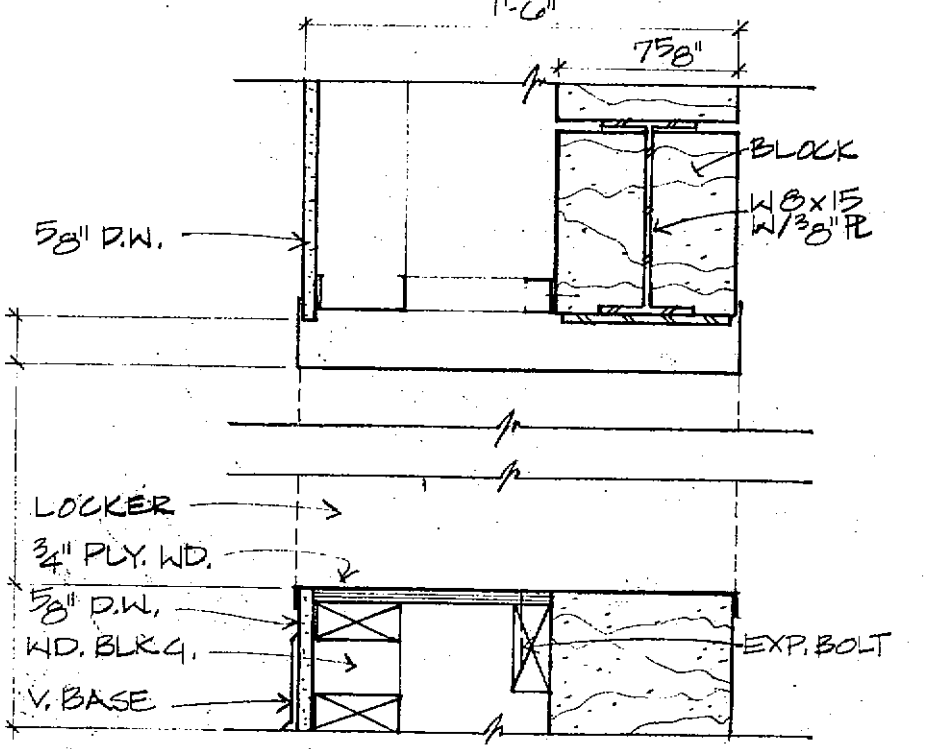
17W HANGING STORAGE DETAIL
1/2" x 1'-0"



17X TRANSACTION DRAWER
1/2" x 1'-0"



17Y TRANSACTION DRAWER DETAIL
1/2" x 1'-0"



17Z EVIDENCE LOCKER DETAIL
1/2" x 1'-0"

FRANKLIN COUNTY ADULT JAIL
UNION, MISSOURI

PEARCE CORPORATION
One Mercantile Center
Saint Louis, Missouri 63101

Siebold, Sydow & Eifanbaum Inc.
Structural Engineers
Cotton/Lester/Niederhorn Associates, Inc.
Mechanical & Electrical Engineers
Walker, McGough, Foltz, Lyster, P.S.
Security Consultants

STATE OF MISSOURI REGISTERED ARCHITECT

DAVID W. PEARCE
NUMBER A-1131

DRAWN BY: KEB
CHECKED BY: JCM
REVISED:
PROJ. NO. 84-07.1.00
DATE: MARCH 22, 1985

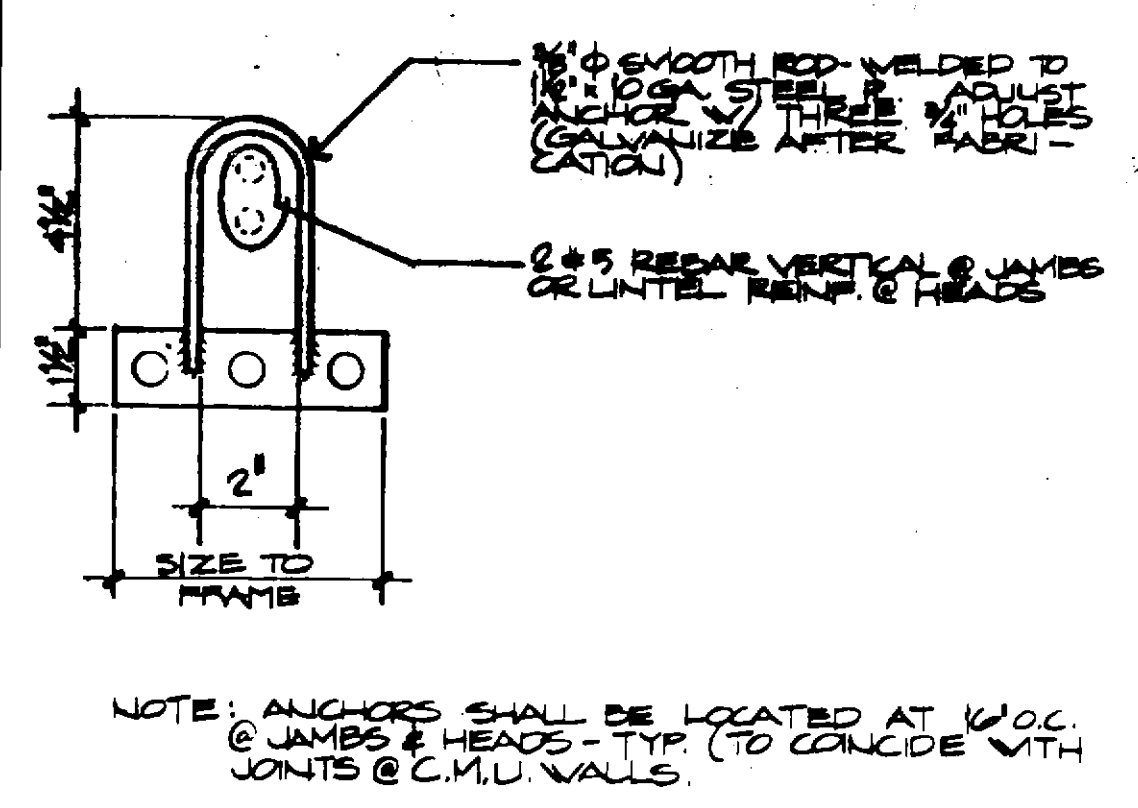
17
DRAWING NO.

DOOR SCHEDULE																
DOOR	FROM	TO	SWING	SIZE	DOOR TYPE	GLAZ	HOWE GROUP	COMM. LOC.	KEYING LOCK ACC.	KEY MARK	FRAME TYPE	HEAD	JAMB	SILL	REMARKS	
S1	8	18	LHR	3'0x7'0x2"	A	12 ga	H-1	3	6	EM/EXT	3	12 ga	13	20/20	--	
S2	8	11	--	5'4x4'0 M.O.	--	--	1.3	--	--	--	16	12 ga	27	25/25	29 Mull. Det. #27 'C' Label	
S3	8	9	RHR	3'0x7'0x2"	C	12 ga	3.1	H-1	3	6	EM/INT	3	12 ga	13	20/20	--
S4	9	102	RHR	3'0x7'0x2"	A	12 ga	H-11	--	12	WT	1	12 ga	13	20/20	19 20 min.	
S5	9	77	RHR	3'0x7'0x2"	A	12 ga	H-1	3	6	EM/INT	3	12 ga	13	20/20	--	
S6	9	11	LHR	3'0x7'0x2"	B	12 ga	1.3	H-1	--	6	CCR	3	12 ga	13	20/20	-- 20 min.
S7	10	80	LH	3'0x7'0x2"	C	12 ga	3.1	H-1	9	6	EM/EXT	3	12 ga	13	20/20	--
S8	79	10	--	18'0x4'10 M.O.	--	--	1.3	--	--	--	17	12 ga	27	24/24	29	
S9	18	20	LHR	3'0x7'0x2"	A	12 ga	H-1	1	6	EM/INT	3	12 ga	13	20/20	-- 20 min.	
S10	18	25	LHR	3'0x7'0x2"	A	12 ga	H-1	1	6	EM/INT	3	12 ga	13	20/20	-- 20 min.	
S11	18	30	RHR	3'0x7'0x2"	B	12 ga	2.1	H-1	3	6	EM/INT	3	12 ga	13	20/20	--
S12	30	31	--	3'4x4'0 M.O.	--	--	2.1	--	--	--	15	12 ga	27	25/25	29 'C' Label	
S13	30	31	--	3'4x4'0 M.O.	--	--	2.1	--	--	--	15	12 ga	27	25/25	29 'C' Label	
S14	30	31	LHR	3'0x7'0x2"	B	16 ga	2.1	H-12	4	2	NT	9	14 ga	13	20/20	-- 20 min.
S15	30	15	--	5'8-3/8x4'0	--	--	2.1	--	--	--	16	12 ga	27	21/14	29 'C' Label	
S16	35	36	--	3'4x4'0 M.O.	--	--	2.1	--	--	--	15	12 ga	27	25/25	29 'C' Label	
S17	35	36	RHR	3'0x7'0x2"	J	12 ga	2.1	H-6a	1	6	NT	5	12 ga	13	20/20	-- *See note #5. 'C' Label
S18	36	37	RHR	3'0x7'0x2"	C	16 ga	3.1	H-12*	4	2	NT	9	14 ga	138	208/208	-- *See note #1
S19	36	37	RHR	3'0x7'0x2"	C	16 ga	3.1	H-12*	4	2	NT	9	14 ga	138	208/208	-- *See note #1
S20	43	42	LHR	3'0x7'0x2"	C	16 ga	3.1	H-12*	4	2	NT	9	14 ga	138	208/208	-- *See note #1
S21	43	42	LHR	3'0x7'0x2"	C	16 ga	3.1	H-12*	4	2	NT	9	14 ga	138	208/208	-- *See note #1
S22	35	43	LHR	3'0x7'0x2"	J	12 ga	2.1	H-6a	1	6	NT	5	12 ga	13	20/20	-- *See note #5. 'C' Label
S23	43	43	--	3'4x4'0 M.O.	--	--	2.1	--	--	--	15	12 ga	27	25/25	29 'C' Label	
S24	44	46	--	3'4x4'0 M.O.	--	--	2.1	--	--	--	15	12 ga	27	25/25	29 'C' Label	
S25	44	46	--	3'4x4'0 M.O.	--	--	2.1	--	--	--	15	12 ga	27	25/25	29 'C' Label	
S26	44	15	--	25'4-3/8x4'0	--	--	2.1	--	--	--	18	12 ga	27	14/15	29 Mull. Det. #27 'C' Label	
S27	44	45	RHR	3'0x7'0x2"	B	16 ga	3.1	H-7*	--	14	T	1	14 ga	13	20/20	-- *See note #7. 20 min.
S28	45	46	LHR	3'0x7'0x2"	I	12 ga	3.1	H-6a	1	6	NT	2	12 ga	13	20/20	--
S29	46	48	RHR	2'10x7'0x2"	F	12 ga	3.1	H-5a	7	5	EMM	2	12 ga	138	208/208	--
S30	46	49	RHR	2'10x7'0x2"	F	12 ga	3.1	H-5a	7	5	EMM	2	12 ga	138	208/208	--
S31	45	55	--	6'8x4'0 M.O.	--	--	2.1	--	--	--	16	12 ga	27	25/25	29 Inter. mullion Det. #27	
S32	45	55	RHR	3'0x7'0x2"	I	12 ga	3.1	H-6a	1	6	NT	2	12 ga	13	20/20	--
S33	55	50	RHR	2'10x7'0x2"	F	12 ga	3.1	H-5a	7	5	EMM	2	12 ga	138	208/208	--
S34	55	51	RHR	2'10x7'0x2"	F	12 ga	3.1	H-5a	7	5	EMM	10	12 ga	138	208/16	--
S35	55	52	LHR	2'10x7'0x2"	F	12 ga	3.1	H-5a	7	5	EMM	10	12 ga	138	208/16	--
S36	55	53	LHR	2'10x7'0x2"	F	12 ga	3.1	H-5a	7	5	EMM	2	12 ga	138	208/208	--
S37	44	55	--	3'4x4'0 M.O.	--	--	2.1	--	--	--	15	12 ga	27	25/25	29 'C' Label	
S38	56	15	--	6'8x4'0 M.O.	--	--	2.1	--	--	--	16	12 ga	27	25/25	29 Mull. Det. #27 'C' Label	
S39	44	55	--	3'4x4'0 M.O.	--	--	2.1	--	--	--	15	12 ga	27	25/25	29 'C' Label	
S40	58	59	--	3'4x4'0 M.O.	--	--	2.1	--	--	--	15	12 ga	27	25/25	29 'C' Label	
S41	58	59	RHR	3'0x7'0x2"	J	12 ga	2.1	H-6a	1	6	NT	5	12 ga	13	20/20	-- *See note #5. 'C' Label
S42	59	60	RHR	2'6x7'0x2"	F	12 ga	3.1	H-5a	7	5	EMM	2	12 ga	138	208/208	--
S43	59	61	RHR	2'6x7'0x2"	F	12 ga	3.1	H-5a	7	5	EMM	10	12 ga	138	208/16	--
S44	59	62	LHR	2'6x7'0x2"	F	12 ga	3.1	H-5a	7	5	EMM	10	12 ga	138	208/16	--
S45	59	63	RHR	2'6x7'0x2"	F	12 ga	3.1	H-5a	7	5	EMM	10	12 ga	138	208/16	--
S46	59	64	LHR	2'6x7'0x2"	F	12 ga	3.1	H-5a	7	5	EMM	10	12 ga	138	208/16	--
S47	59	65	LHR	2'6x7'0x2"	F	12 ga	3.1	H-5a	7	5	EMM	2	12 ga	138	208/208	--
S48	76	70	RHR	2'6x7'0x2"	F	12 ga	3.1	H-5a	7	5	EMM	2	12 ga	138	208/208	--
S49	76	71	RHR	2'6x7'0x2"	F	12 ga	3.1	H-5a	7	5	EMM	10	12 ga	138	208/16	--
S50	76	72	LHR	2'6x7'0x2"	F	12 ga	3.1	H-5a	7	5	EMM	10	12 ga	138	208/16	--
S51	76	73	RHR	2'6x7'0x2"	F	12 ga	3.1	H-5a	7	5	EMM	10	12 ga	138	208/16	--
S52	76	74	LHR	2'6x7'0x2"	F	12 ga	3.1	H-5a	7	5	EMM	10	12 ga	138	208/16	--
S53	76	75	LHR	2'6x7'0x2"	F	12 ga	3.1	H-5a	7	5	EMM	2	12 ga	138	208/208	--
S54	58	76	LHR	3'0x7'0x2"	J	12 ga	2.1	H-6a	1	6	NT	5	12 ga	13	20/20	-- 'C' Label
S55	58	76	--	3'4x4'0 M.O.	--	--	2.1	--	--	--	15	12 ga	27	25/25	29 'C' Label	
S56	77	78	RHR	3'0x7'0x2"	B	12 ga	2.1	H-8	4	12	T	1	12 ga	33	32/32	12
S57	78	Ext.	LH	3'0x7'0x2"	A	12 ga	H-9	--	2	EM/EXT	1	12 ga	31	30/30	19	
S58	77	78	--	3'4x4'0 M.O.	--	--	2.1	--	--	--	15	12 ga	27	25/25	29	
S59	77	78	--	3'4x4'0 M.O.	--	--	2.1	--	--	--	15	12 ga	27	25/25	29	
S60	79	80	--	5'4x4'0 M.O.	--	--	1.3	--	--	--	16	12 ga	27	25/25	29 Mull. Det. #27	

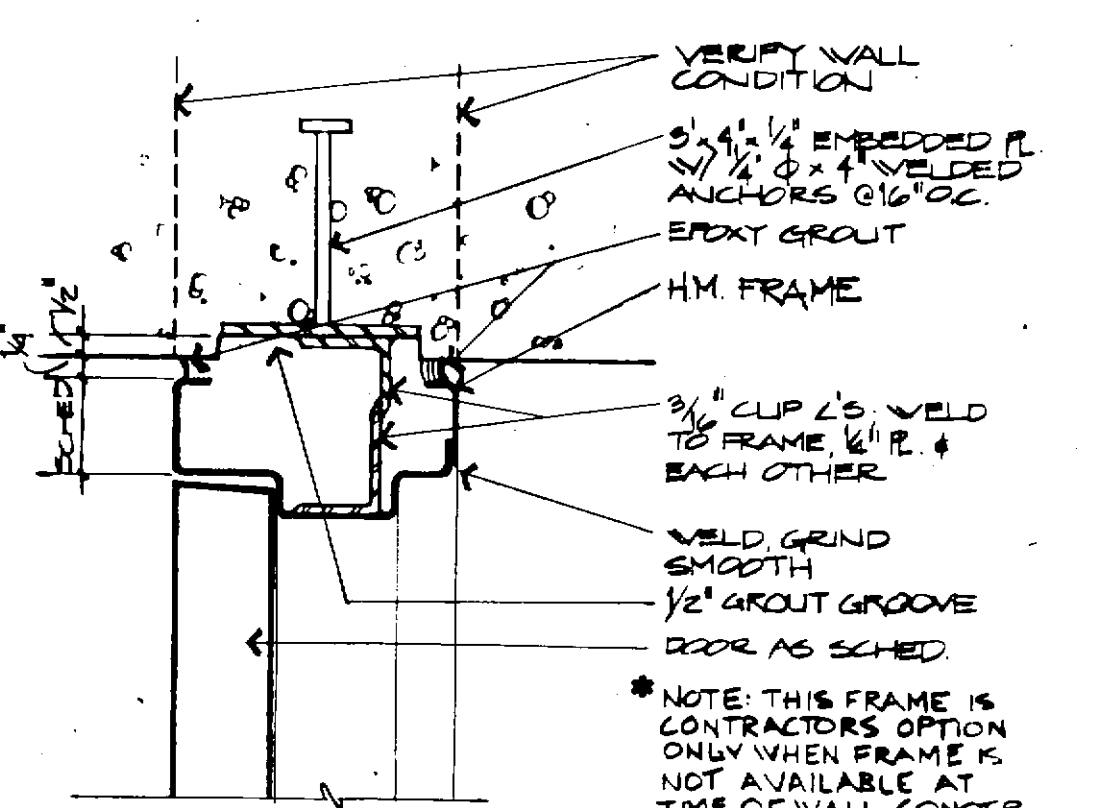
GENERAL NOTES

- This hardware group also includes the following standard hardware items:
3 ea. - Hinges
1 ea. - Latch Set
1 ea. - Closer
1 ea. - Wall Bumper
- See frame type 7 for additional details.
- See frame type 8 for additional details.
- See frame type 4 for additional details.
- See frame type 5 for additional details.
- See frame type 6 for additional details.
- This hardware group also includes the following standard hardware items:
3 ea. - Hinges
1 ea. - Wall Bumper
1 ea. - Closer

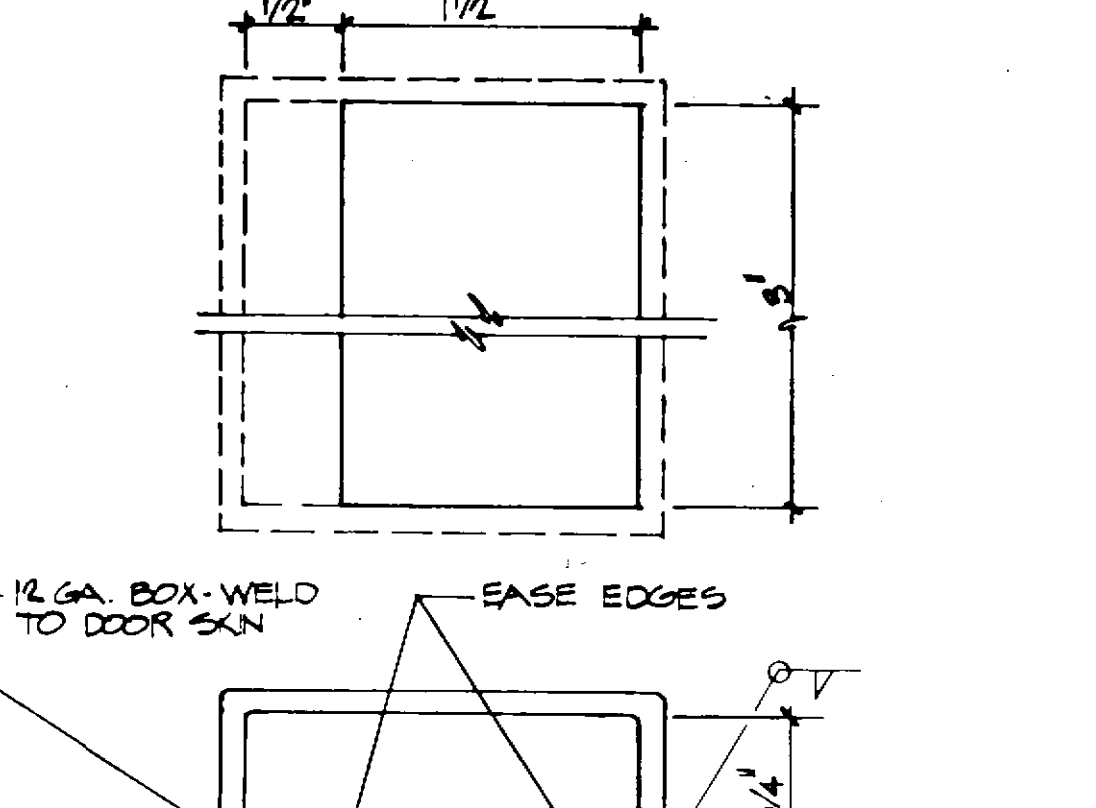
DOOR SCHEDULE																
DOOR	FROM	TO	SWING	SIZE	DOOR TYPE	GLAZ	HOWE GROUP	COMM. LOC.	KEYING LOCK ACC.	KEY MARK	FRAME TYPE	HEAD	JAMB	SILL	REMARKS	
S61	77	80	RHR	3'0x7'0x2"	B	12 ga	1.3	H-1	19	6	EM/INT	6	12 ga	13	20/20	-- *See note #6. 'C' Label
S62	89	95	RHR	3'0x7'0x2"	B	12 ga	2.1	H-10	4	12	WT	4	12 ga	138	208/208	-- *See note #4.
S63	89	99	RHR	3'0x7'0x2"	B	12 ga	2.1	H-10	4	12	WT	4	12 ga	138	208/208	-- *See note #4.
S64	90	91	RHR	3'0x7'0x2"	B	12 ga	2.1	H-8	4	12	WT	1	12 ga	33	32/32	12
S65	91	Ext.	LH	3'0x7'0x2"	A	12 ga	H-9	--	2	EM/EXT	1	12 ga	31	30/30	19	
S66	120	105	RHR	3'0x7'0x2"	B	16 ga	3.1	H-7*	--	14	T	1	14 ga	138	208/208	-- *See note #7. 20 min.
S67	105	106	RHR	3'0x7'0x2"	A	12 ga	H-6	1	6	NT	2	12 ga	138	208/208	--	
S68	106	108	RHR	2'10x7'0x2"	F	12 ga	3.1	H-5a	7	5	EMM	2	12 ga	138	208/208	--
S69	106	109	LHR	2'10x7'0x2"	F	12 ga	3.1	H-5a	7	5	EMM	2	12 ga	138	208/208	--
S70	112	110	RHR	2'10x7'0x2"	F	12 ga	3.1	H-5a	7	5	EMM	2	12 ga	138	208/208	--
S71	112	111	LHR	2'10x7'0x2"	F	12 ga	3.1	H-5a	7	5	EMM	2	12 ga	138	208/208	--
S72	105	112	LHR	3'0x7'0x2"	A	12 ga	H-6	1	6	NT	2	12 ga	138	208/208	--	
S73	120	121	LHR	3'6x7'0x2"	B	12 ga	2.1	H-4	3	6	EM/INT	3	12 ga	13	20/20	--
S74	122	121	RH	3'6x7'0x2"	B	12 ga	2.1	H-4	3	6	EM/EXT	3	12 ga	13	20/20	--
S75	120	137	RHR	2'6x7'0x2"	E	12 ga	3.1	H-2	19	12	B	1	12 ga	13	20/20	-- 20 min.
S76	137	153	RH	3'0x3'6	K	12 ga	H-13	--	12	B	7	12 ga	37	35/35	34 *See note #2	
S77	120	138	--	3'4x4'0 M.O.	--	--	2.1	--	--	--	15	12 ga	27	25/25	29 'C' Label	
S78	120	138	RHR	3'0x7'0x2"	L	12 ga	2.1	H-2	19	12	B	1	12 ga	138	208/208	-- 20 min.
S79	120	139	RHR	2'6x7'0x2"	E	12 ga	3.1	H-2	19	12	B	1	12 ga	138	208/208	-- 20 min.
S80	120	144	LHR	3'0x7'0x2"	E	12 ga	3.1	H-2	19	12	B	1	12 ga	13	20/20	-- 20 min.
S81	120	140	RHR	2'6x7'0x2"	E	12 ga	3.1	H-2	19	12	B	11	12 ga	138	208/17	-- 20 min.
S82	120	141	RHR	2'6x7'0x2"	E	12 ga	3.1	H-2	19	12	B	11	12 ga	138	208/17	-- 20 min.
S83	120	142	RHR	2'6x7'0x2"	E	12 ga	3.1	H-2	19	12	B	1	12 ga	138	208/208	-- 20 min.
S84	146	147	LH	3'0x7'0x2"	C	12 ga	3.1	H-1	3	6	EM/INT	3	12 ga	13	20/20	--
S85	148	147	RHR	3'0x7'0x2"	C	12 ga	3.1	H-1	3	6	EM/EXT	3	12 ga	13	20/20	--
S86	146	148	--	6'8x4'0 M.O.	--	--	1.1	--	--	--	16	12 ga	27	25/25	29 Mull. Det. #27	
S87	150	209	--	6'8x4'0 M.O.	--	--	1.2	--	--	--	16	12 ga	27	25/25	29 Mull. Det. #27	
S88	146	151	RHR	3'0x7'0x2"	E	12 ga	3.1	H-2	19	12	B	1	12 ga	138	208/208	-- 20 min.
S89	146	153	LH	3'0x7'0x2"	A	12 ga	H-3	--	14	ARM	1	12 ga	13	20/20	--	
S90	168	169	LH	3'0x7'0x2"	A	12 ga	H-15	--	14	ARM	1	12 ga	13	20/20	--	
S91	120															



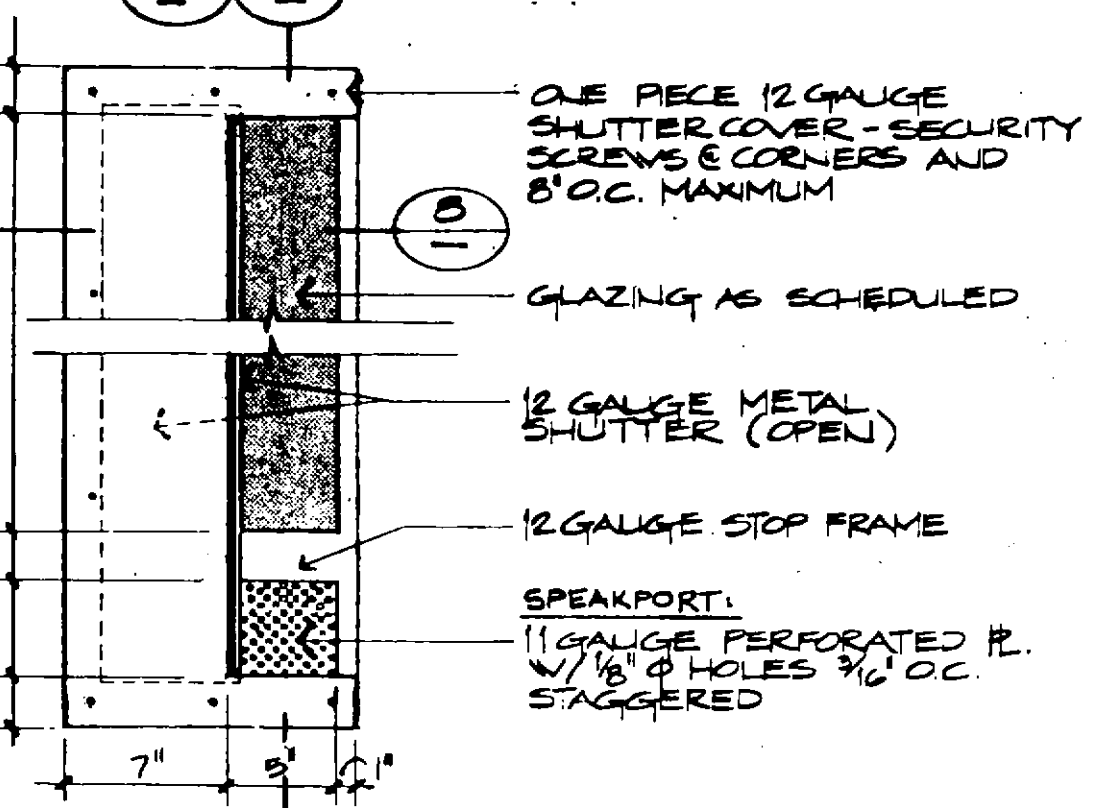
1 TYPICAL ANCHOR
SCALE: 3"=1'-0"



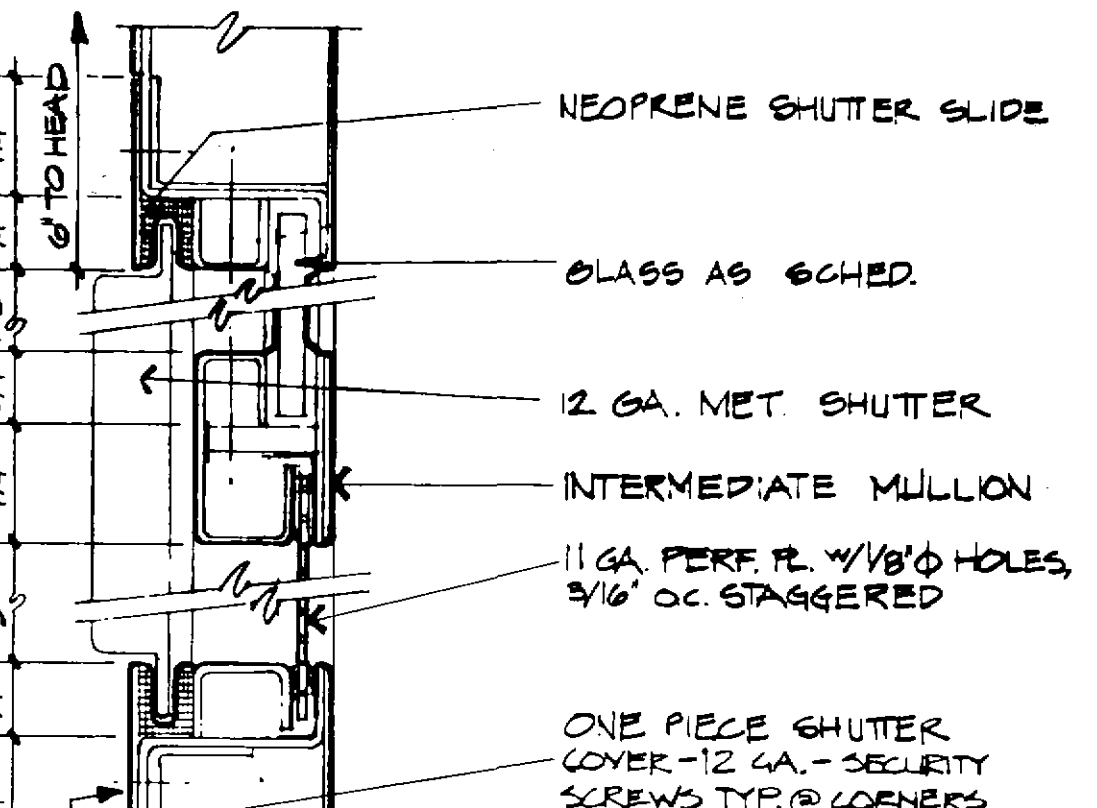
2 "WALK-ON" FRAME
SCALE: 3"=1'-0"



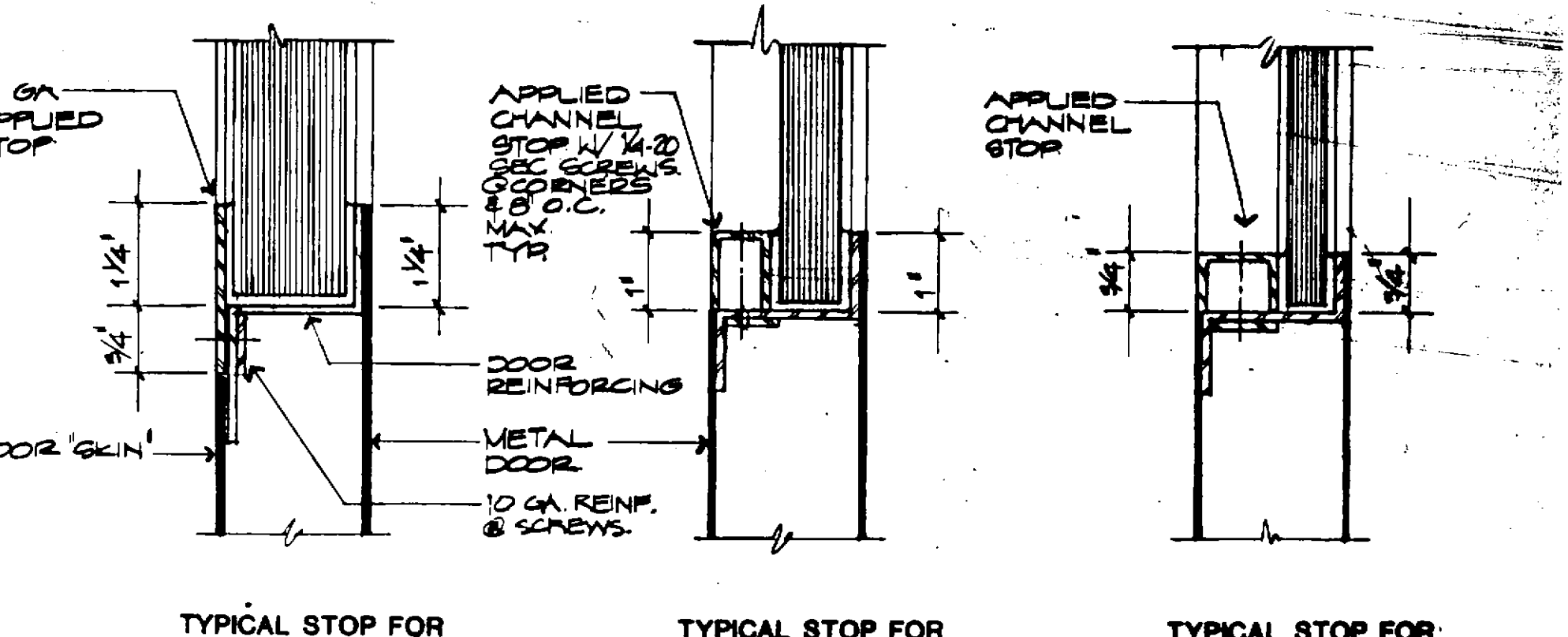
3 FLUSH PULL AT DOOR
FULL SIZE



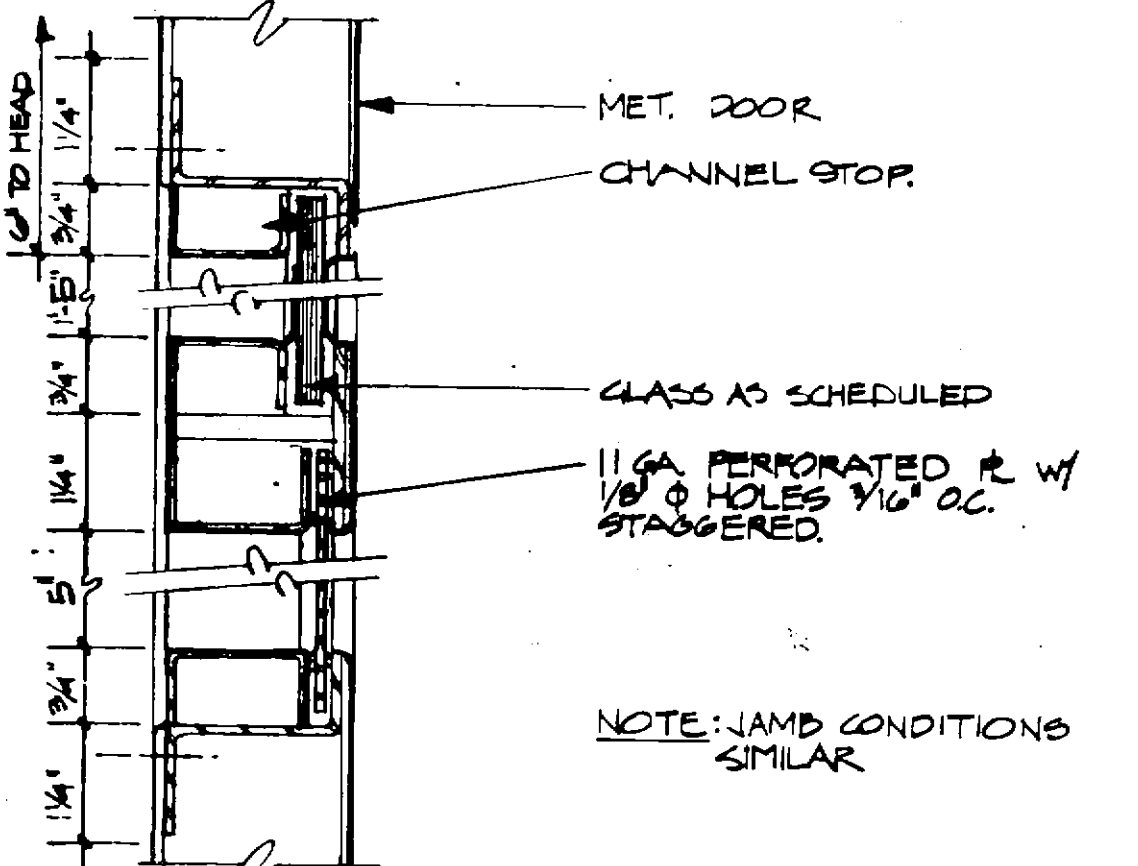
4 ELEVATION AT VISION PANEL
SCALE: 1 1/2"=1'-0"



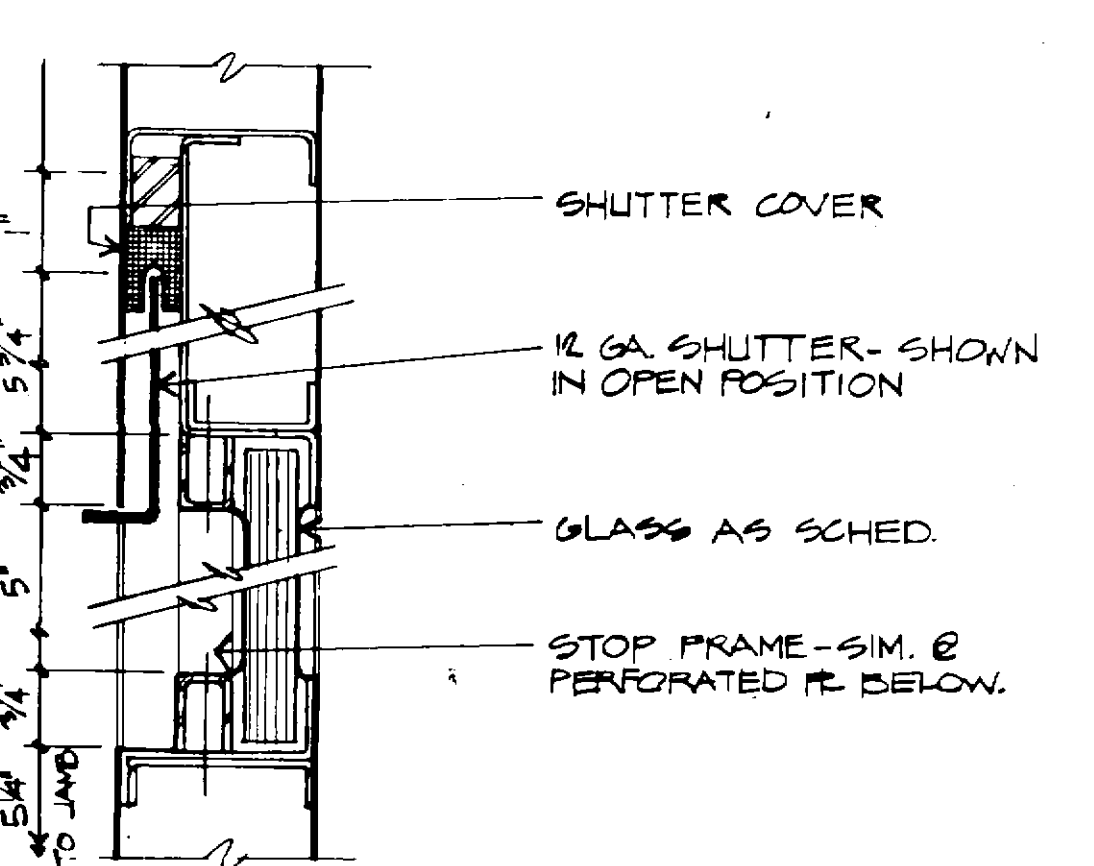
5 VISION PANEL/SHUTTER/SPEAKPORT
HALF SIZE



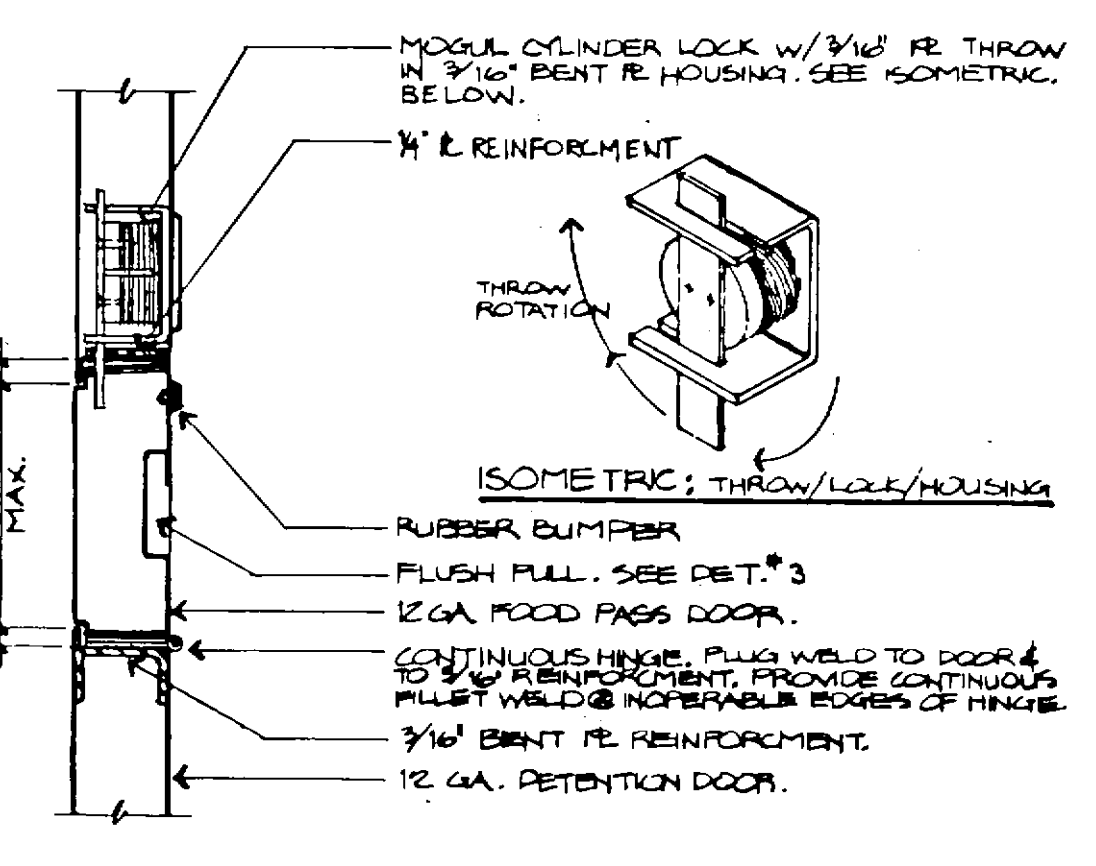
6 TYPICAL DOOR GLAZING STOPS
HALF SIZE



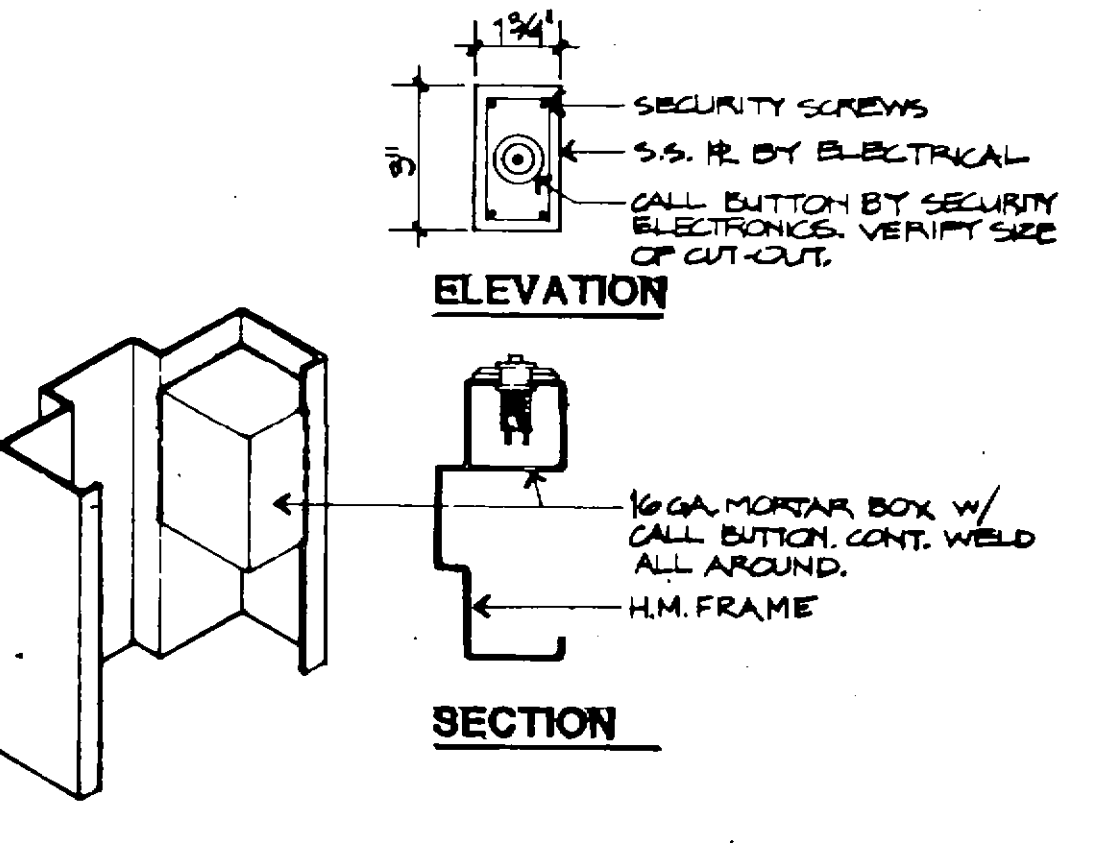
7 VISION PANEL/SPEAKPORT
HALF SIZE



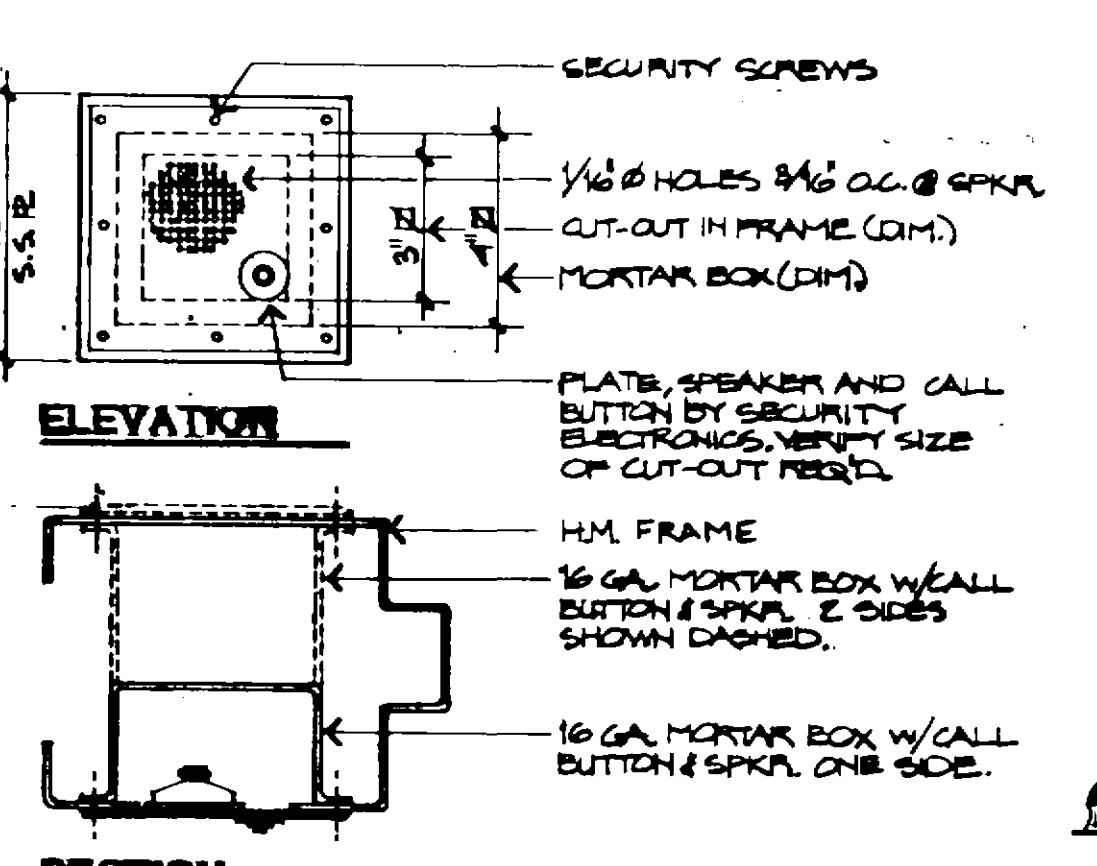
8 HORIZ. SECTION AT VISION PANEL
HALF SIZE



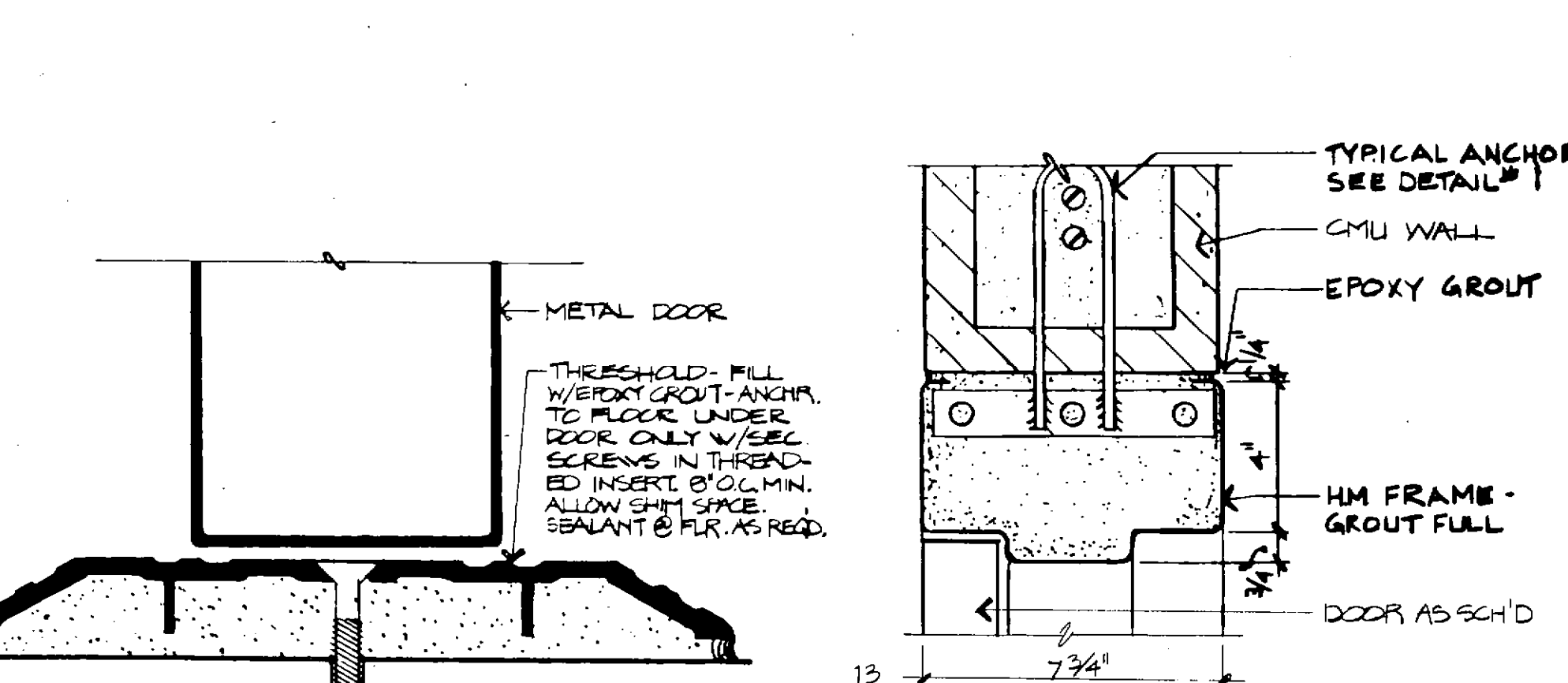
9 FOOD PASS AT H.M. DOOR
3"=1'-0"



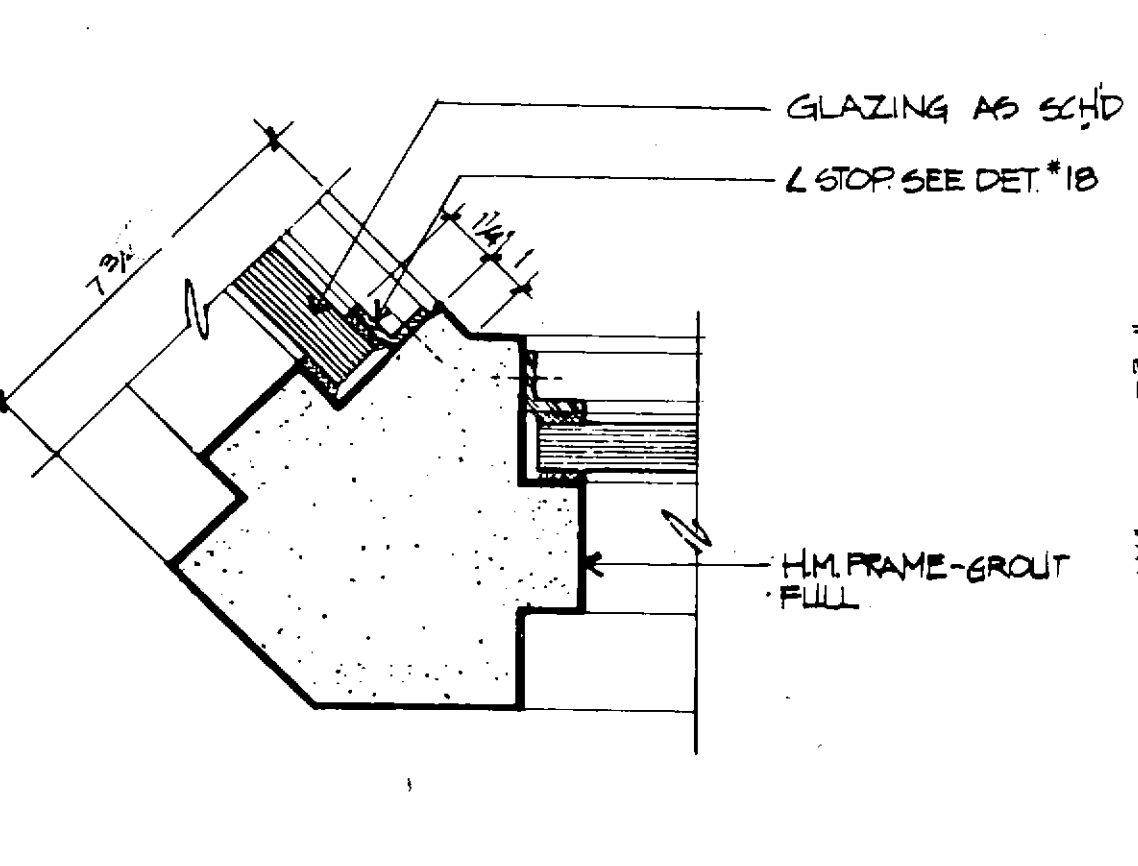
10 JAMB MTD. CALL BUTTON
3"=1'-0"



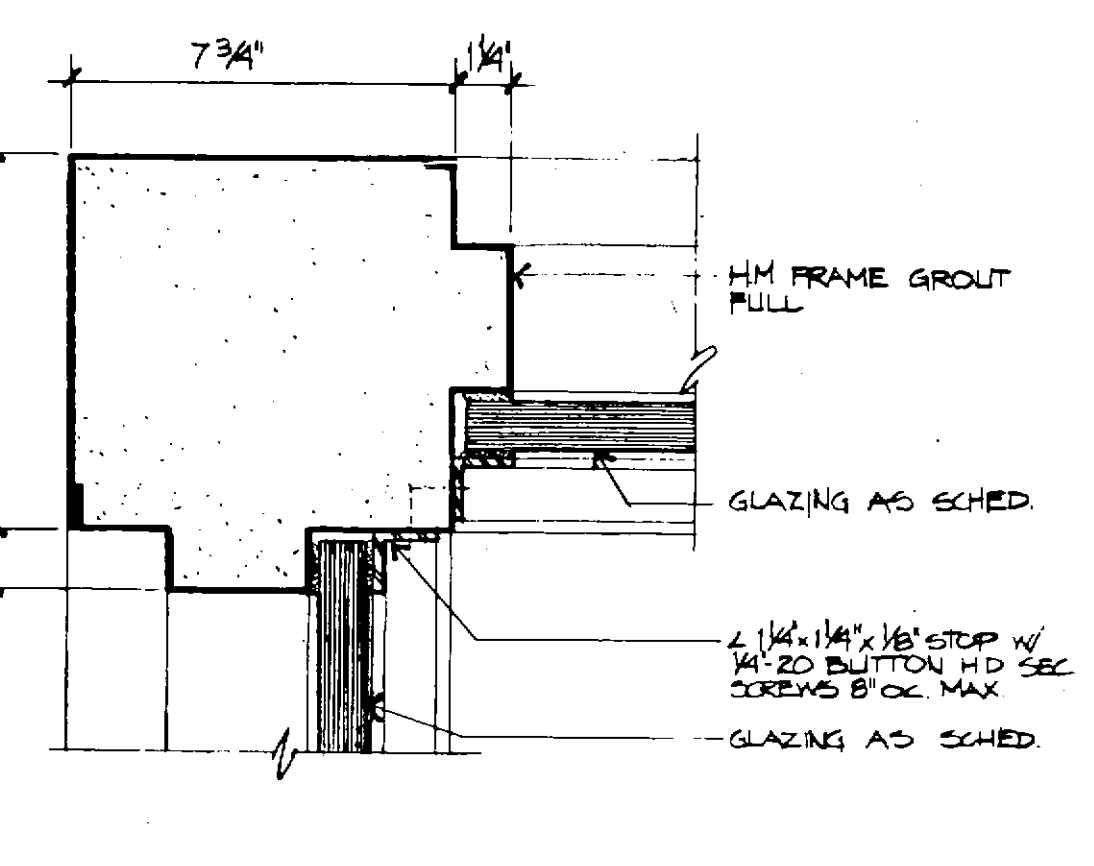
11 JAMB MTD. CALL BUTTON/SPKR.
3"=1'-0"



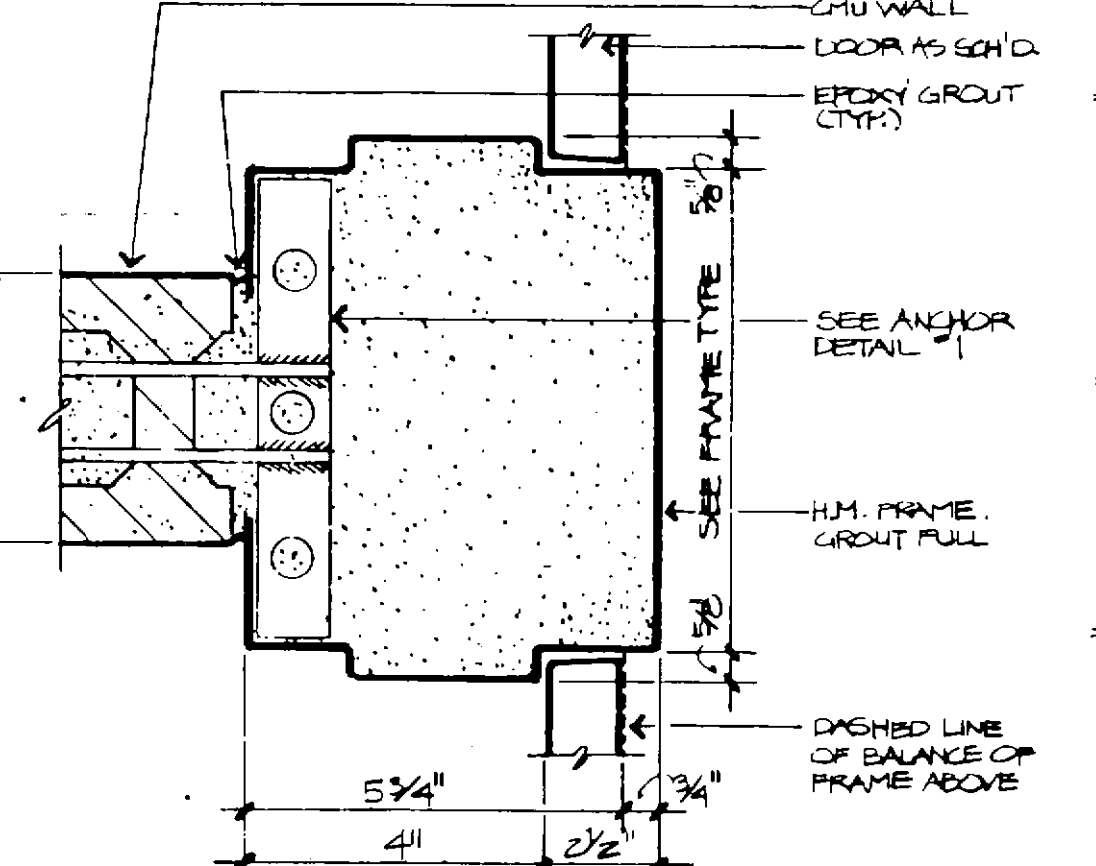
12 THRESHOLD 'A'
FULL SCALE



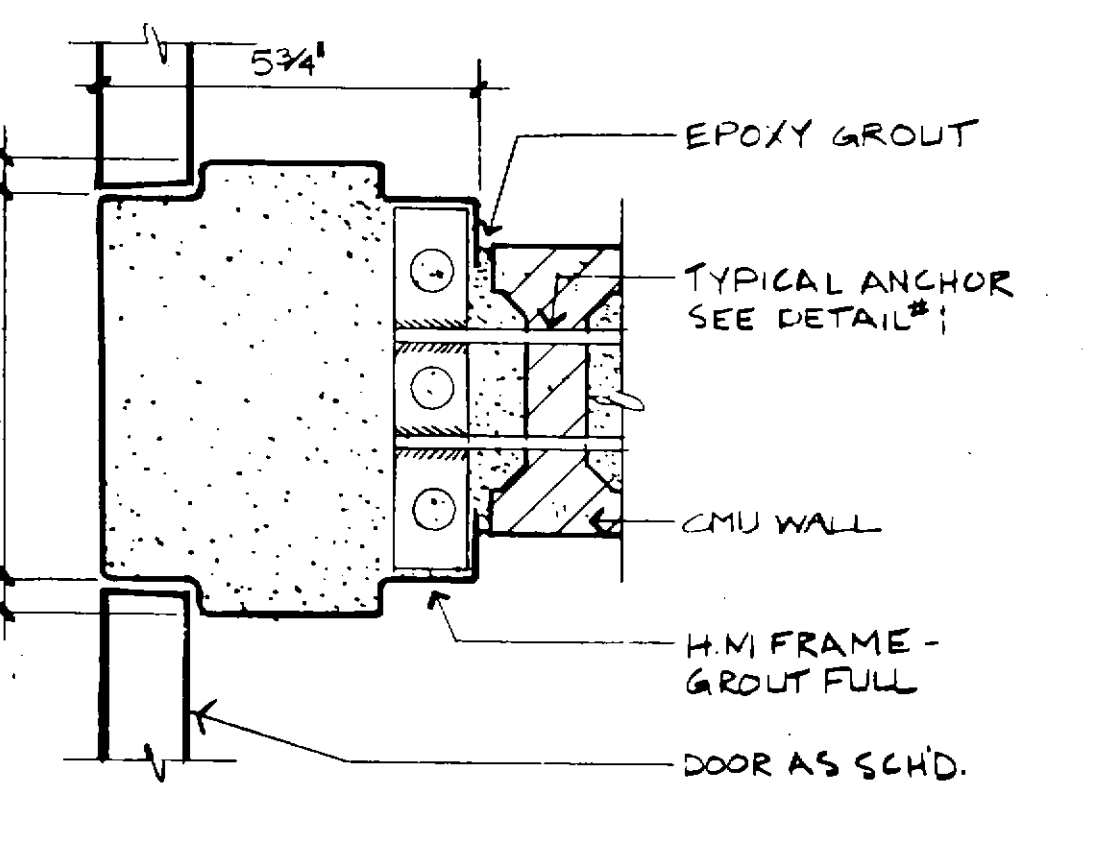
14 CORNER MULLION
3"=1'-0"



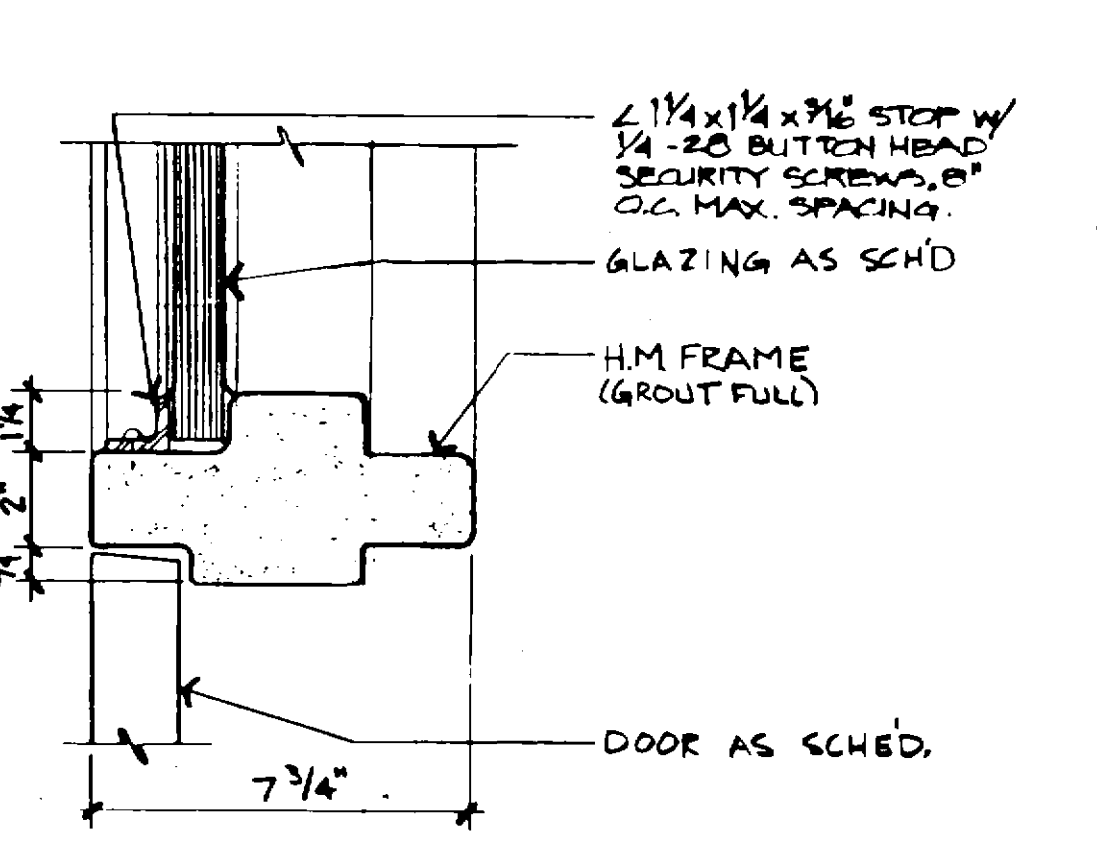
15 CORNER MULLION
3"=1'-0"



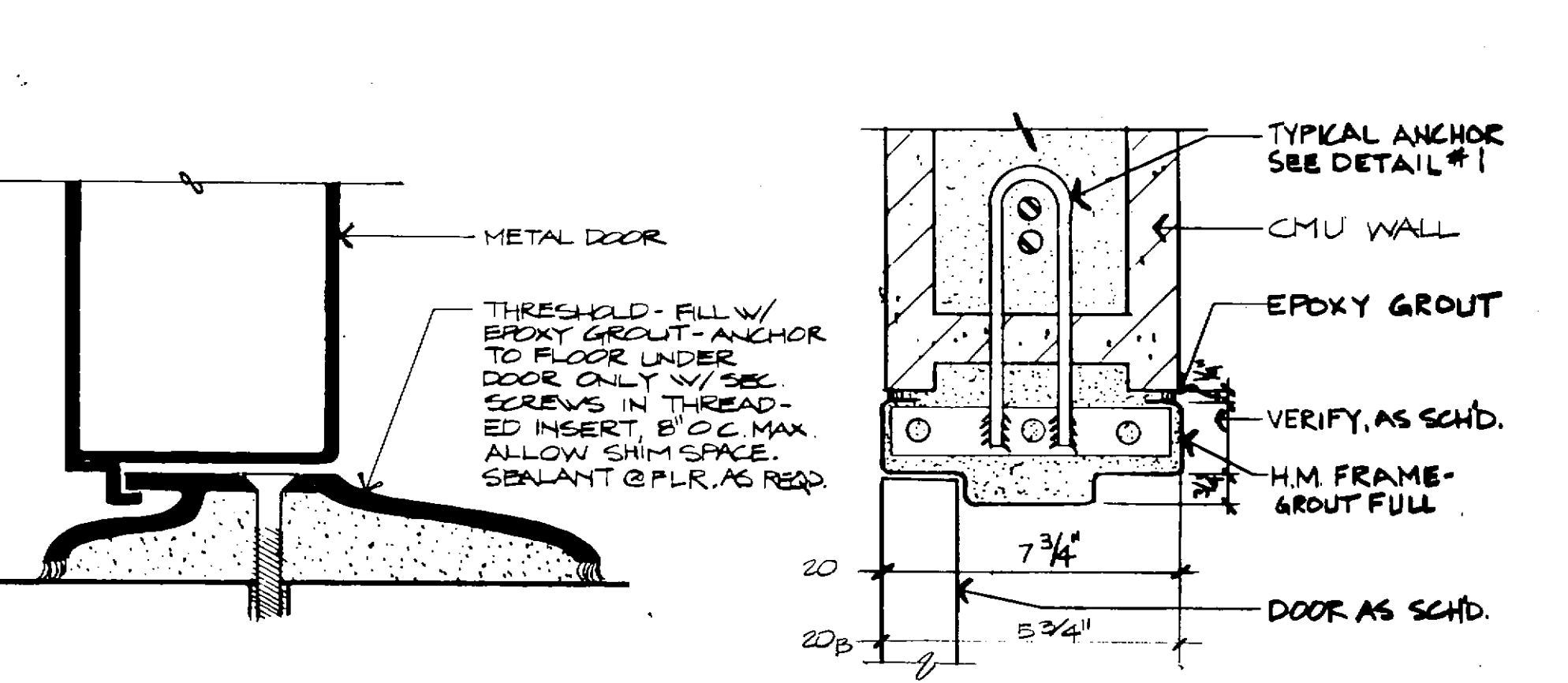
16 DOUBLE JAMB
3"=1'-0"



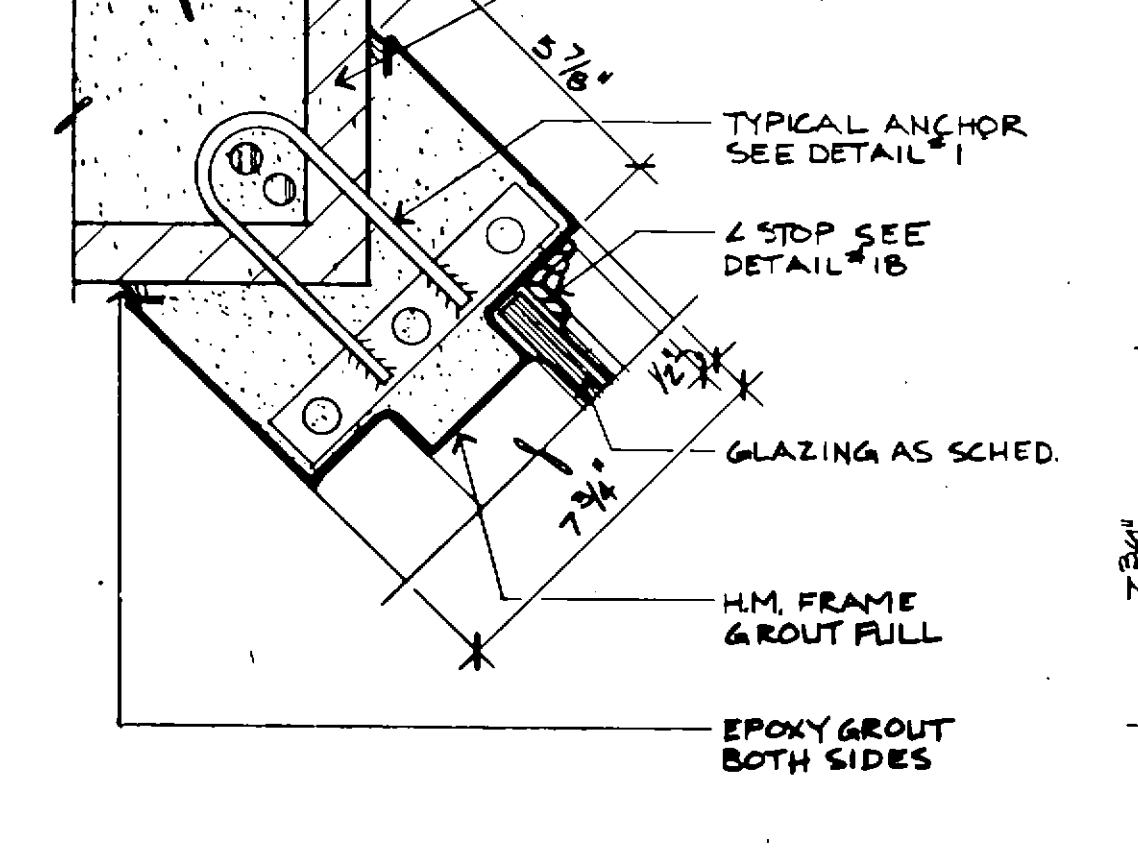
17 DOUBLE JAMB
3"=1'-0"



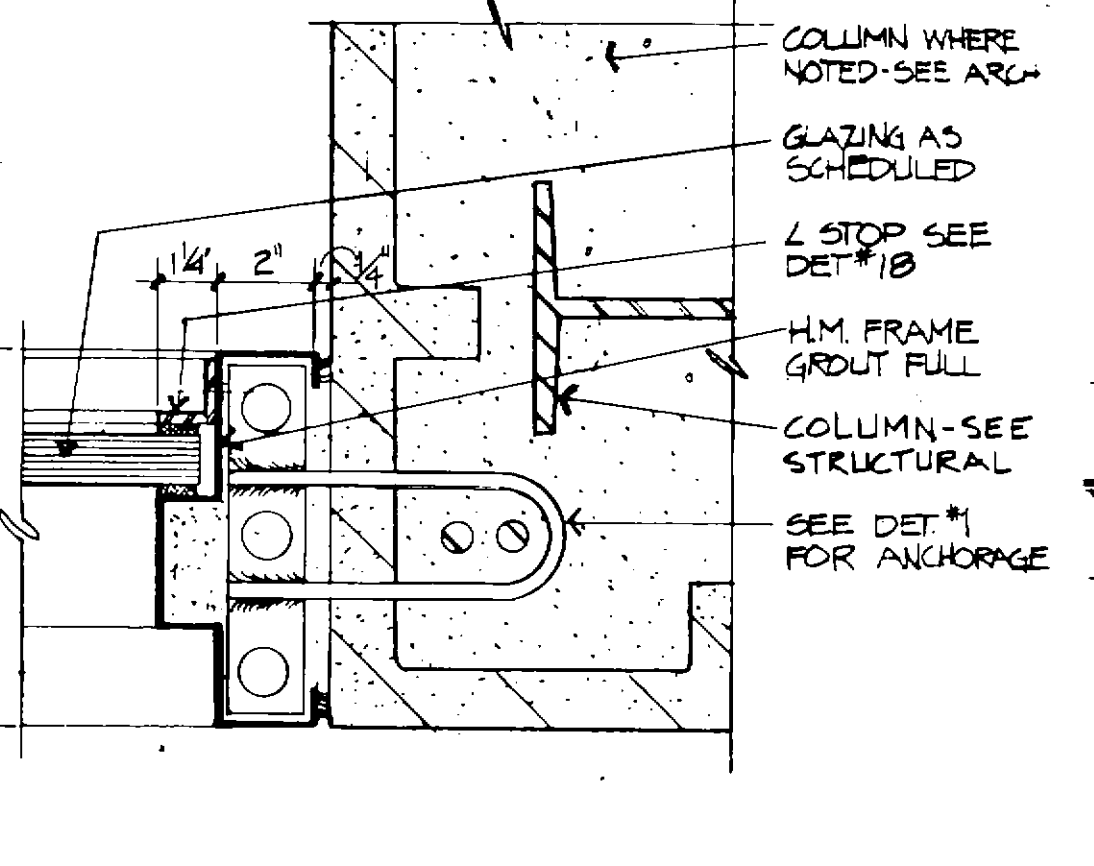
18 JAMB
3"=1'-0"



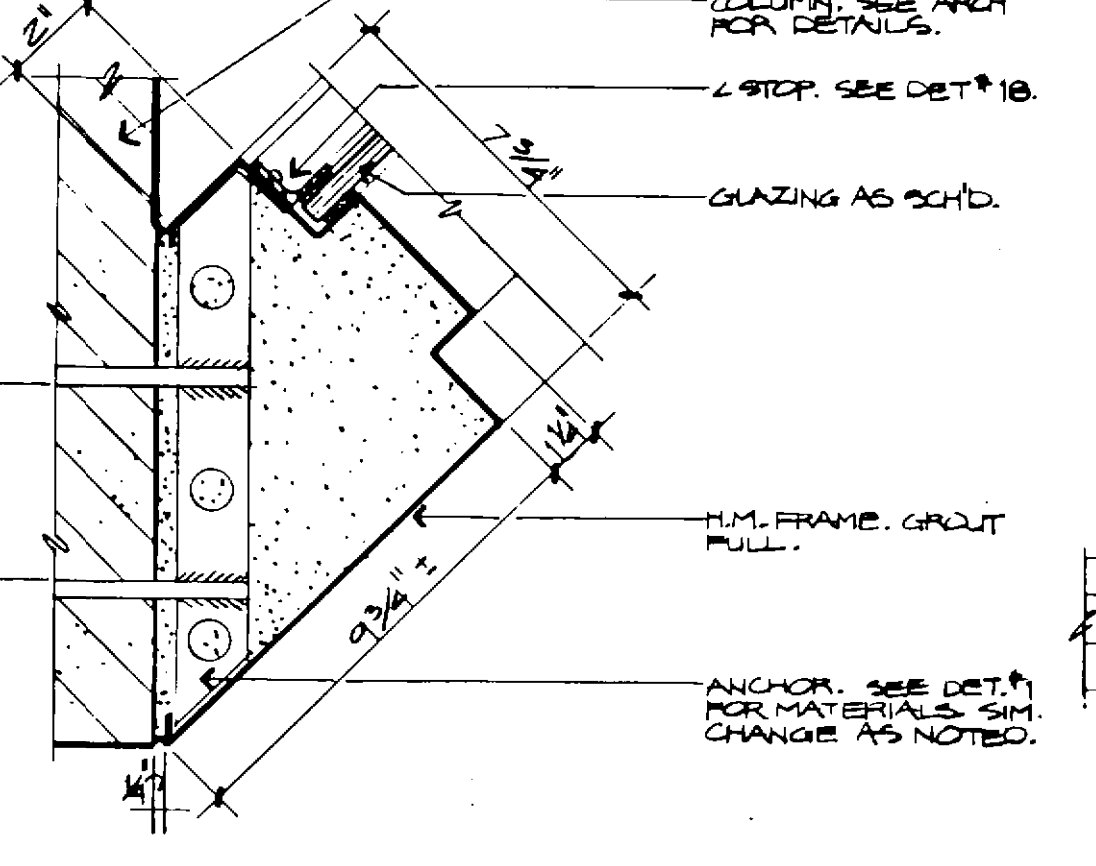
19 THRESHOLD 'B'
FULL SIZE



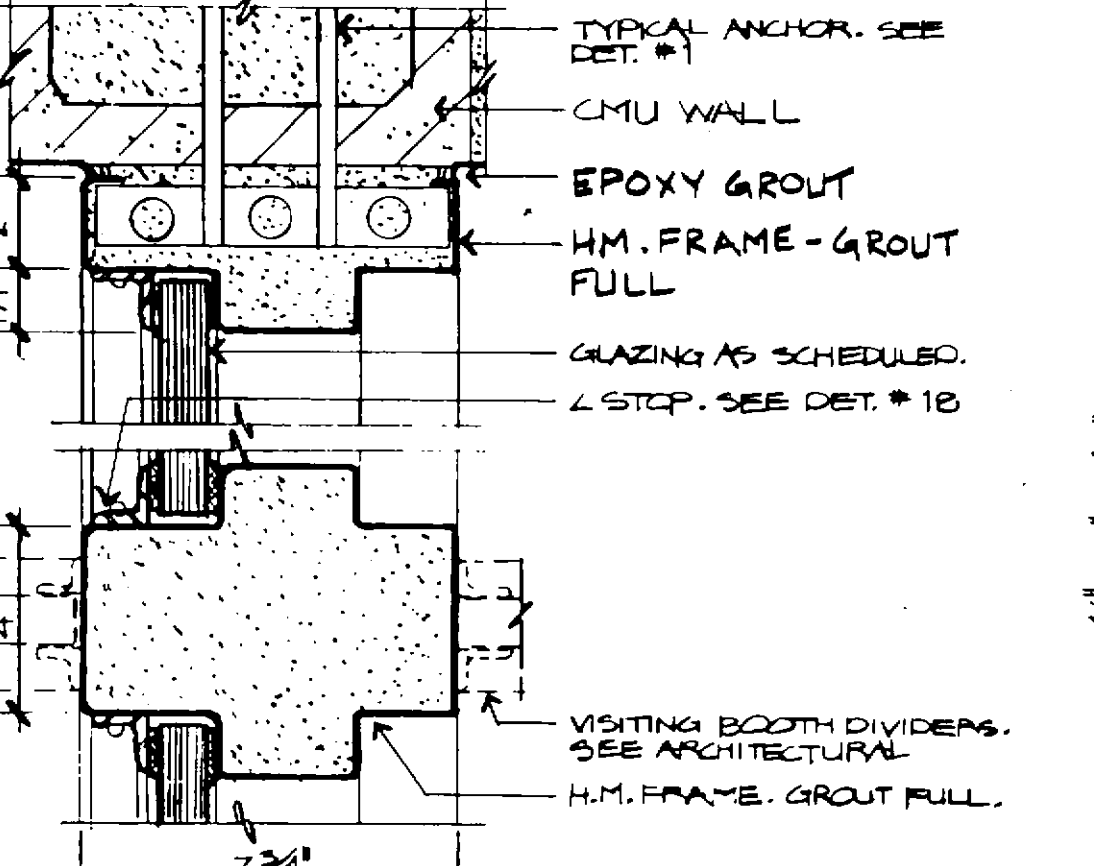
21 JAMB
3"=1'-0"



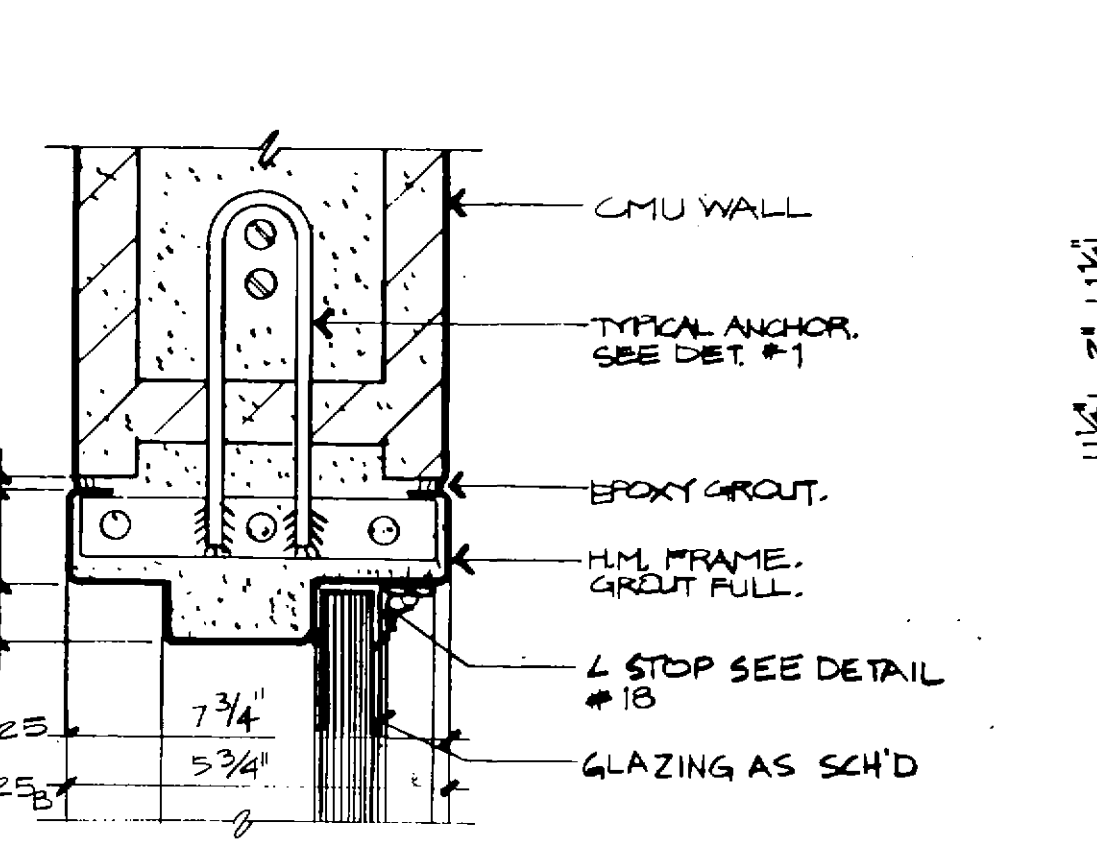
22 JAMB
3"=1'-0"



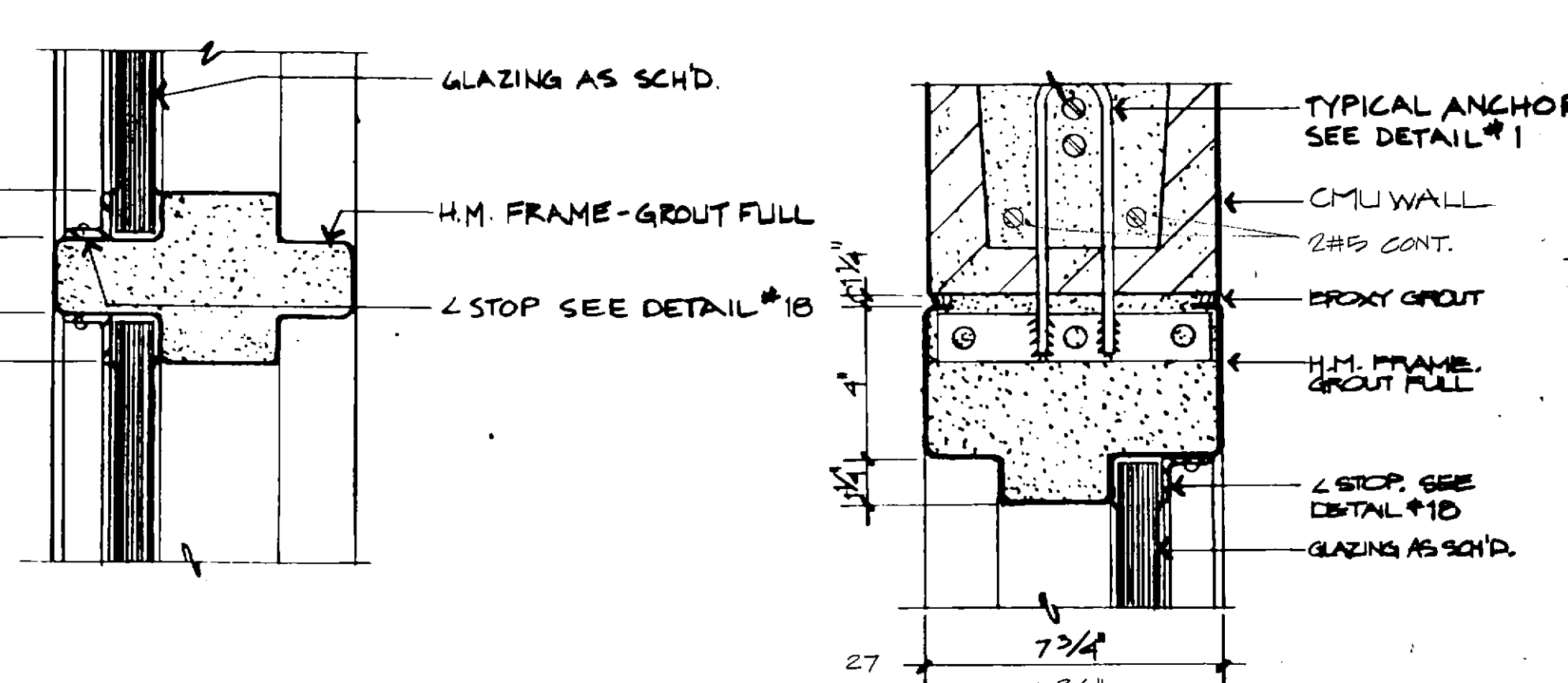
23 JAMB
3"=1'-0"



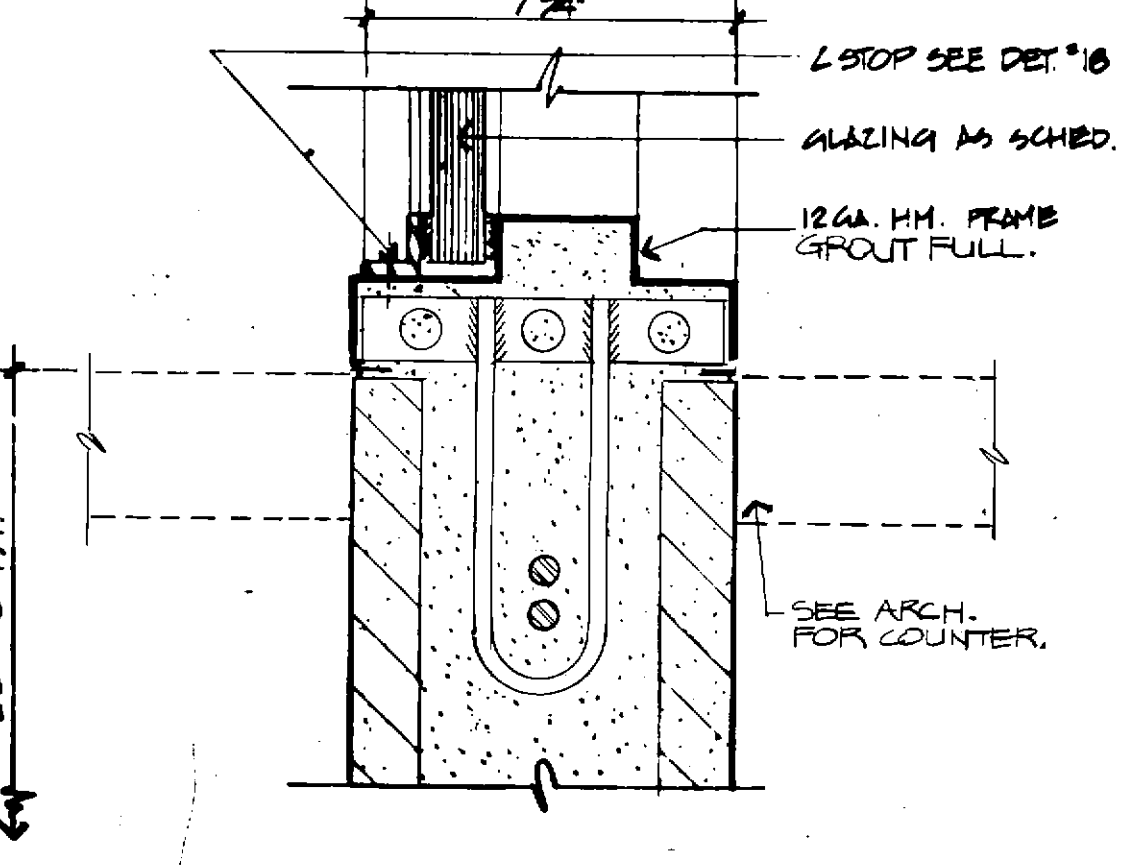
24 JAMB
3"=1'-0"



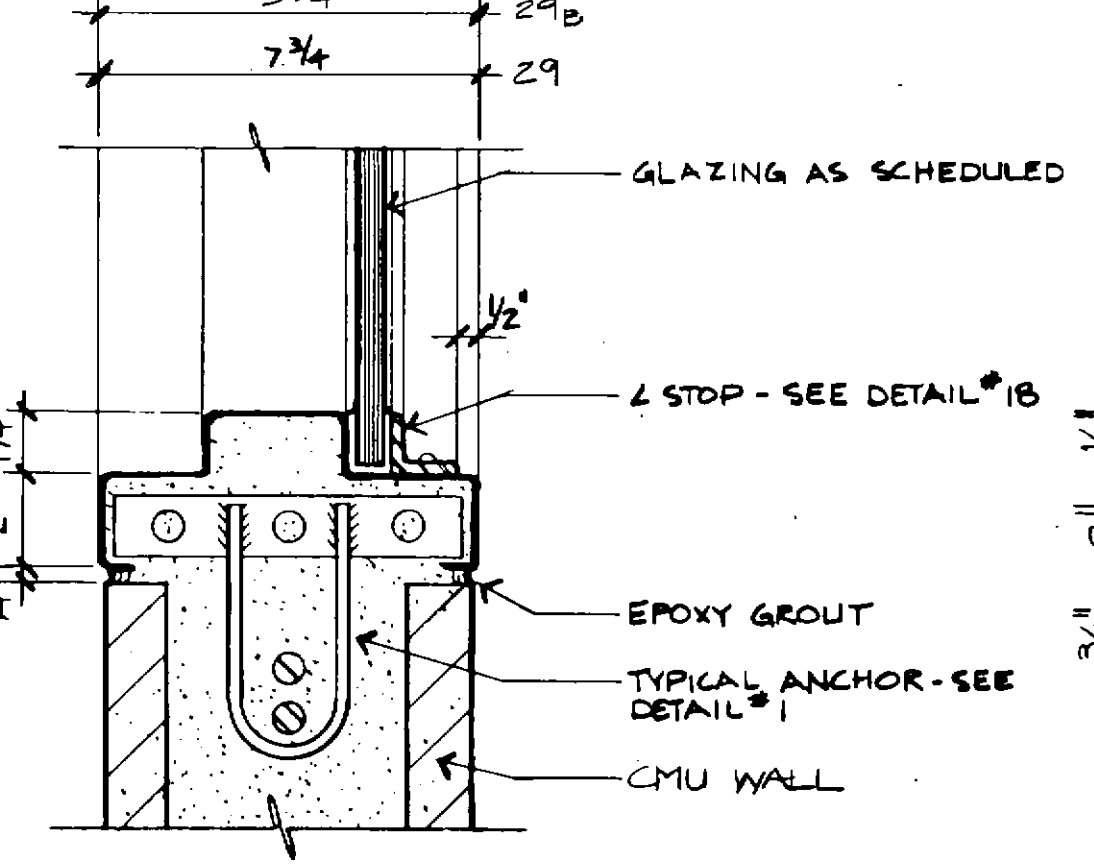
25 JAMB
3"=1'-0"



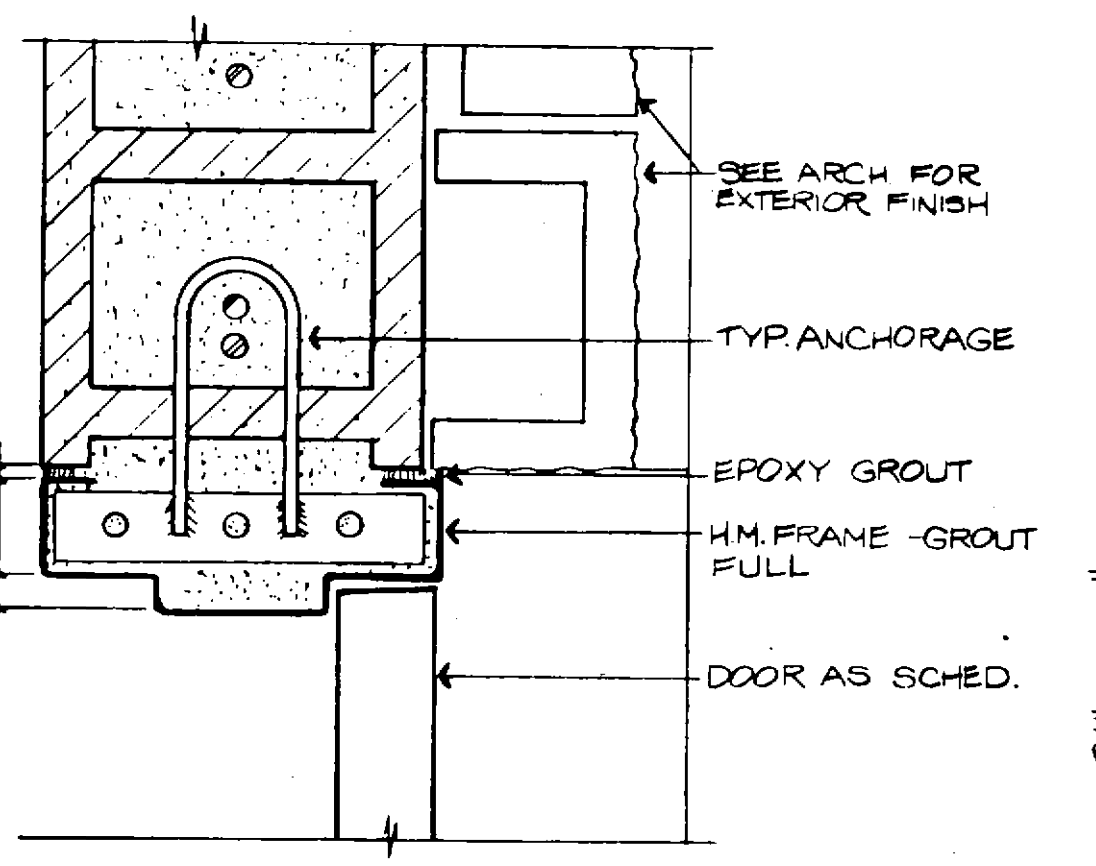
26 INTERMEDIATE MULLION
3"=1'-0"



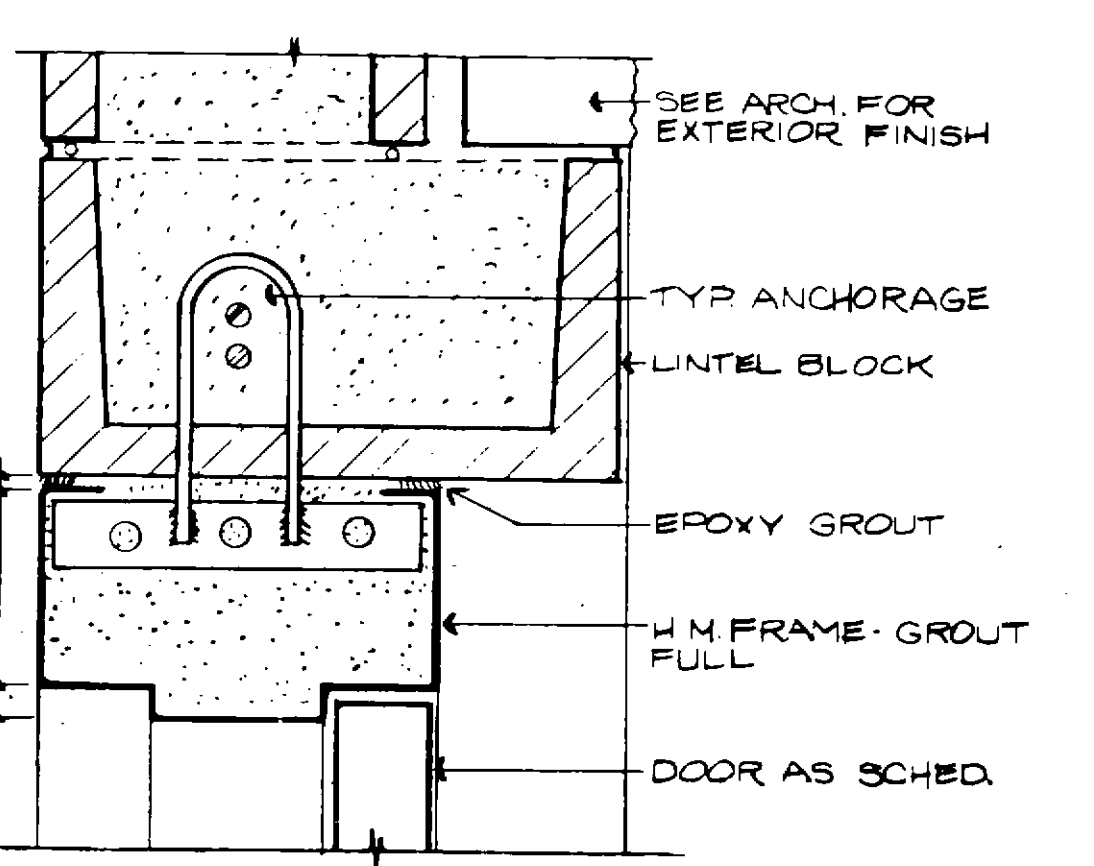
28 VISITING ROOM COUNTER
3"=1'-0"



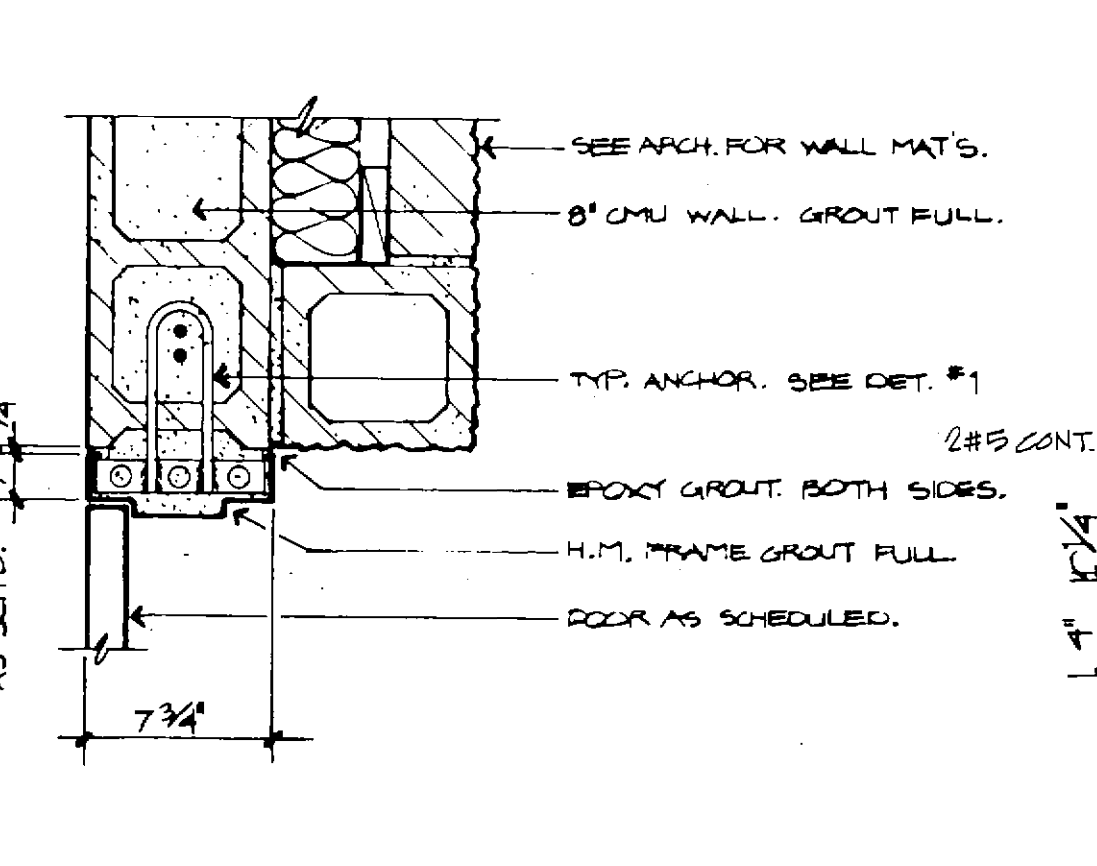
29 SILL
3"=1'-0"



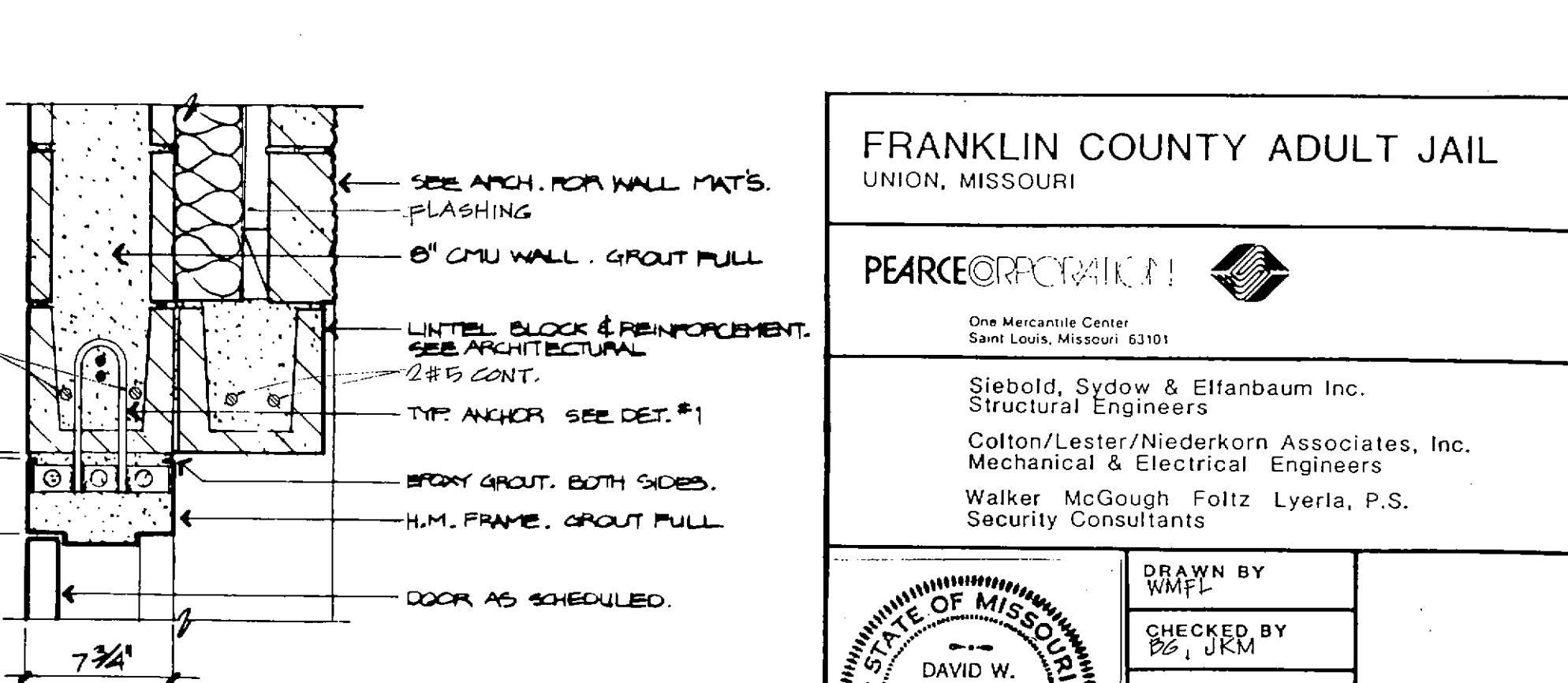
30 JAMB
3"=1'-0"



31 HEAD
3"=1'-0"



32 JAMB
1 1/2"=1'-0"



33 HEAD
1 1/2"=1'-0"

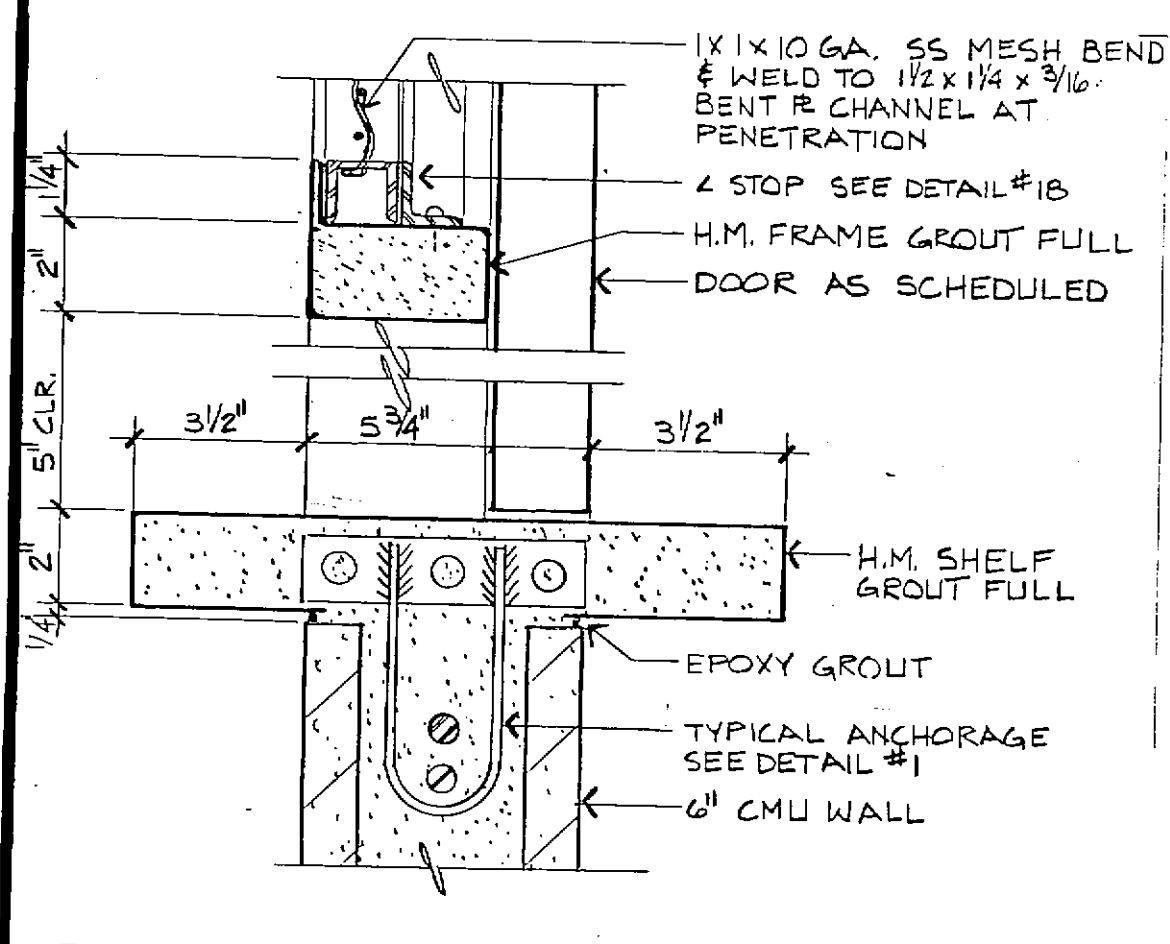
FRANKLIN COUNTY ADULT JAIL
UNION, MISSOURI

PEARCE & COMPANY
One Mercantile Center
Saint Louis, Missouri 63101

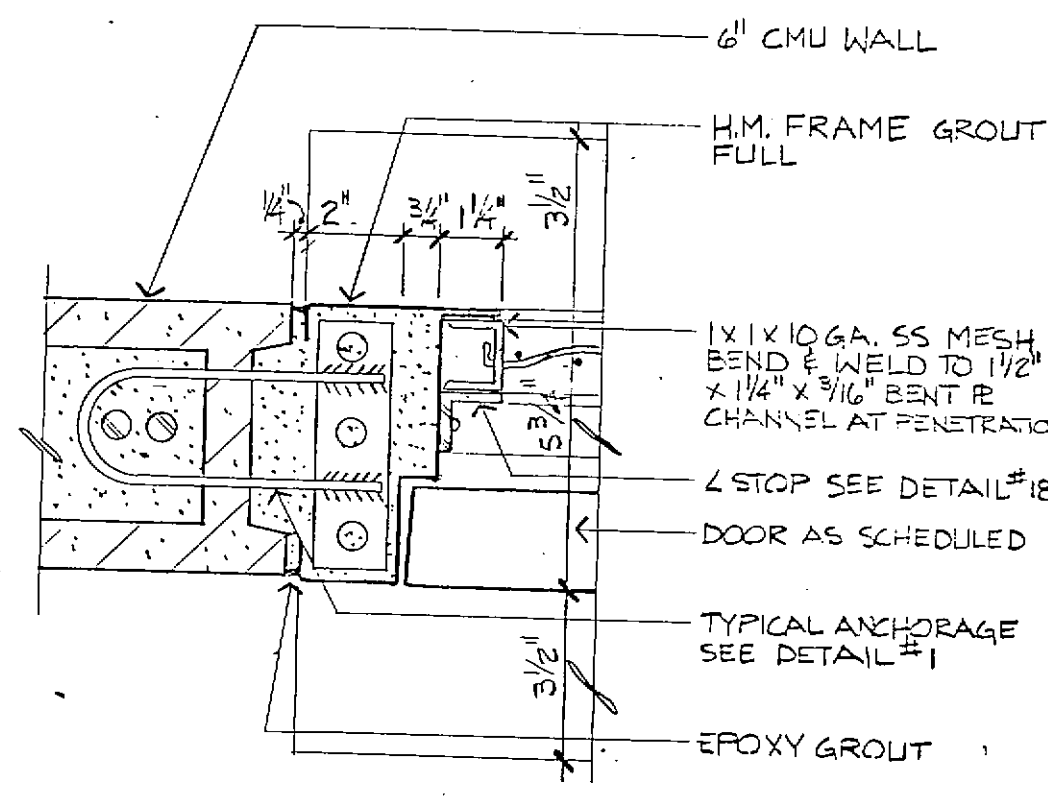
Siebold, Sydow & Eitanbaum Inc.
Structural Engineers
Colton/Lester/Niederhorn Associates, Inc.
Mechanical & Electrical Engineers
Walker, McGough, Foltz, Lyster, P.S.
Security Consultants

DRAWN BY: WMFL
CHECKED BY: B.P. UKM
REVISION: MARCH 22, 1985
PROJ. NO. 84-07.1.00
DATE: FEB. 27, 1985

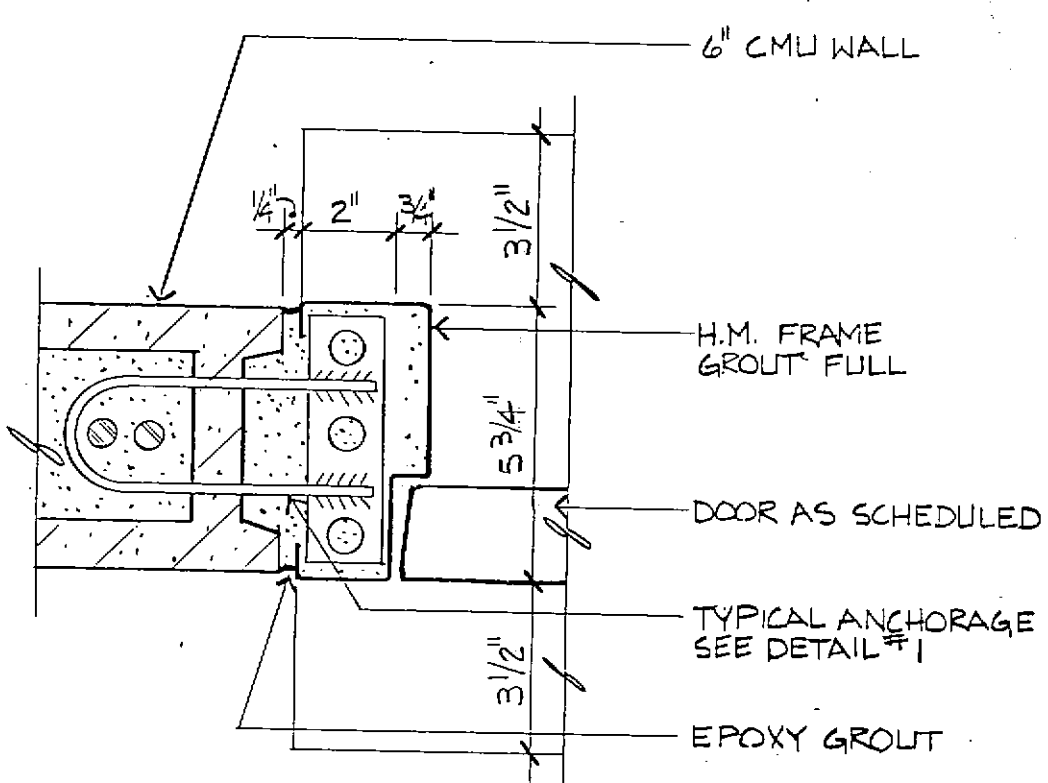
19
DRAWING NO.



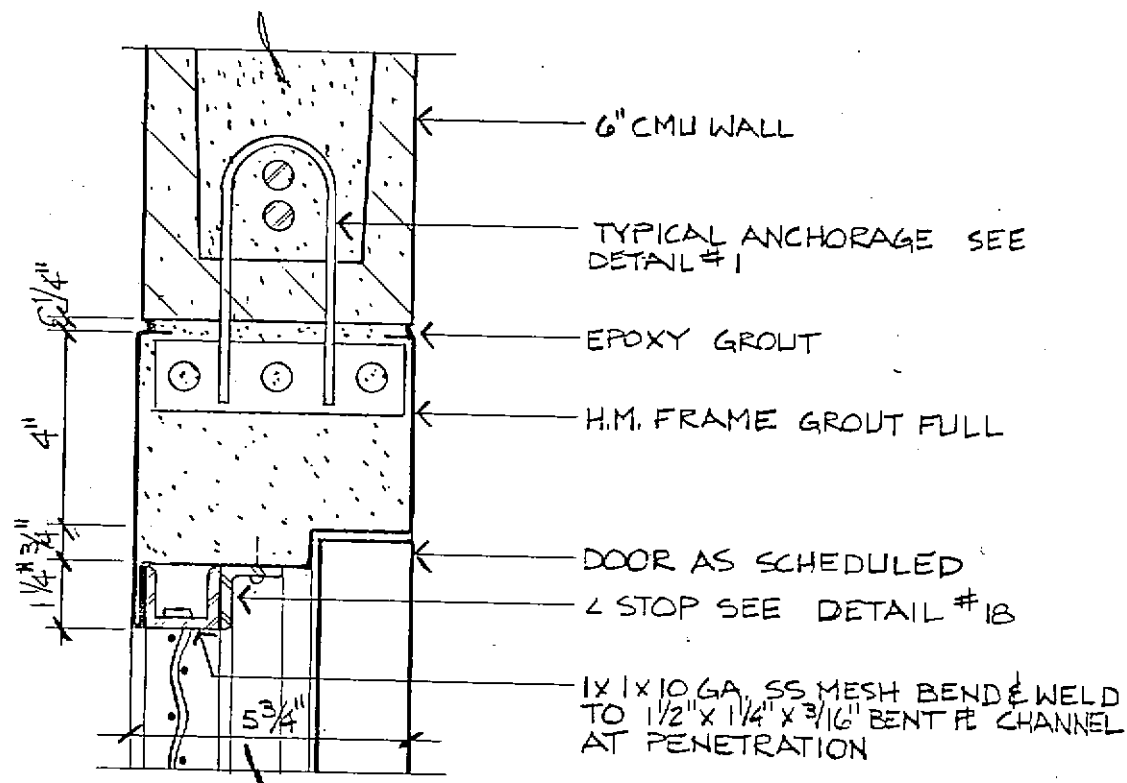
34 SILL
3"=1'-0"



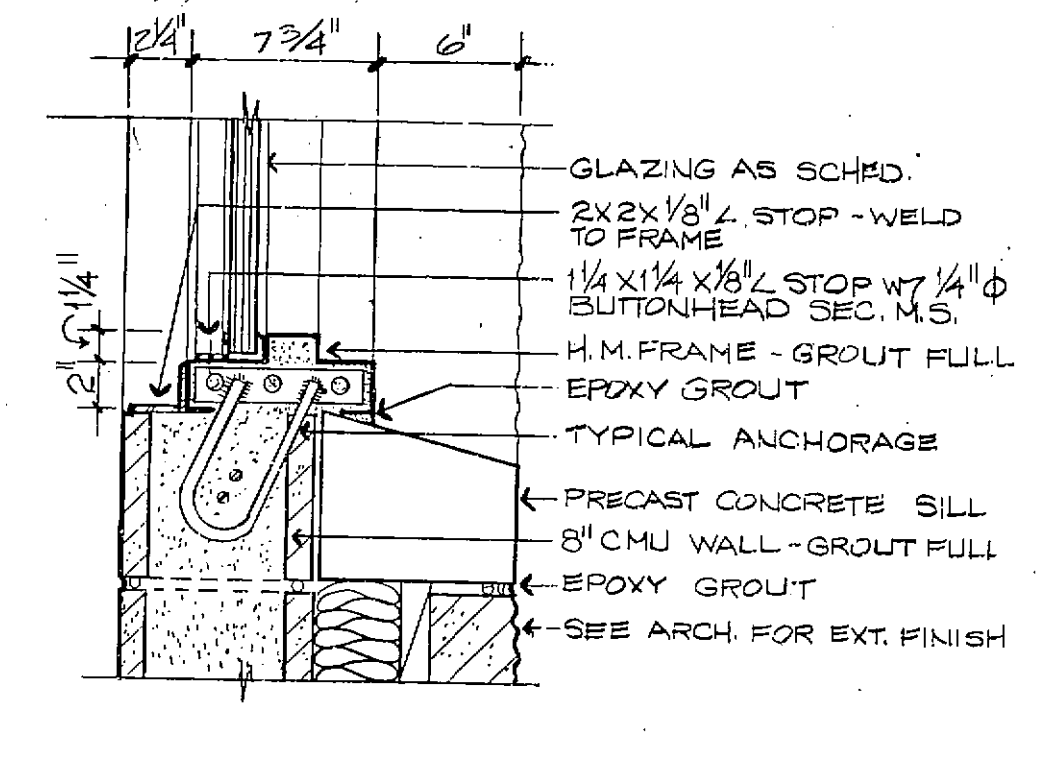
35 JAMB
3"=1'-0"



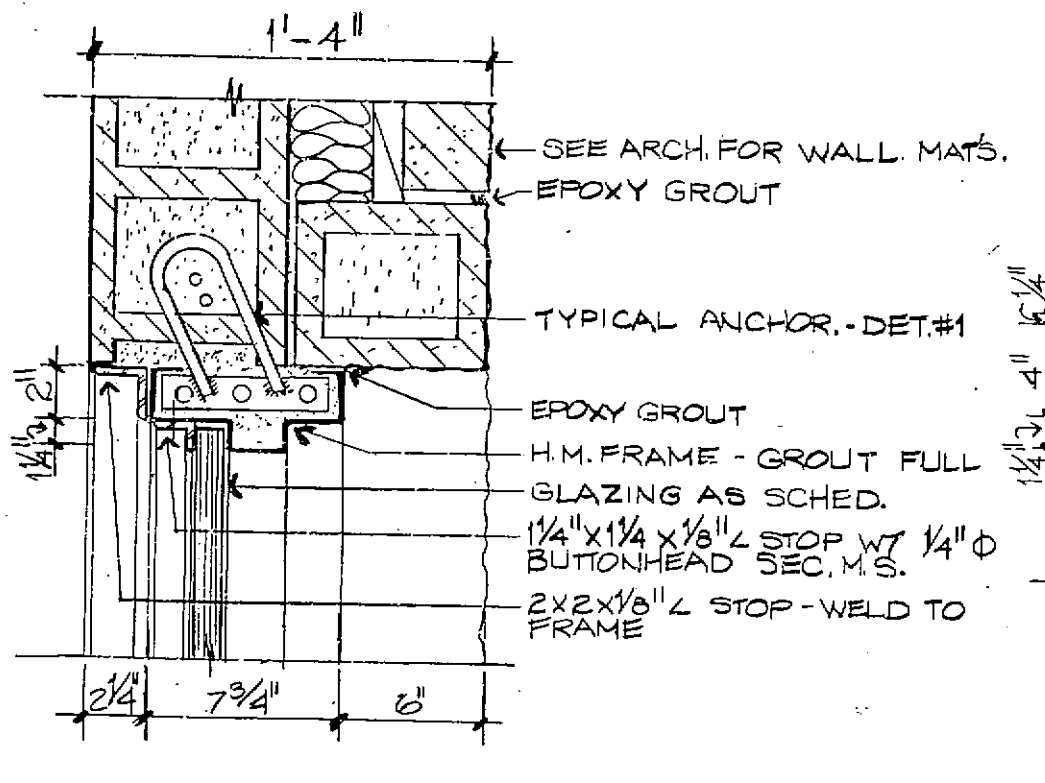
36 JAMB
3"=1'-0"



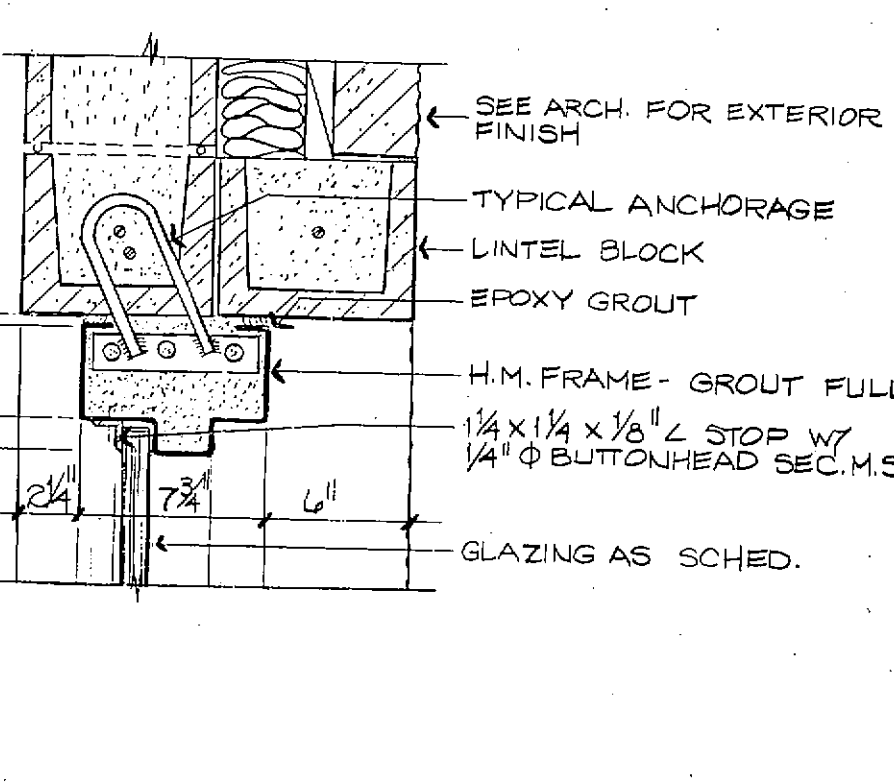
37 HEAD
3"=1'-0"



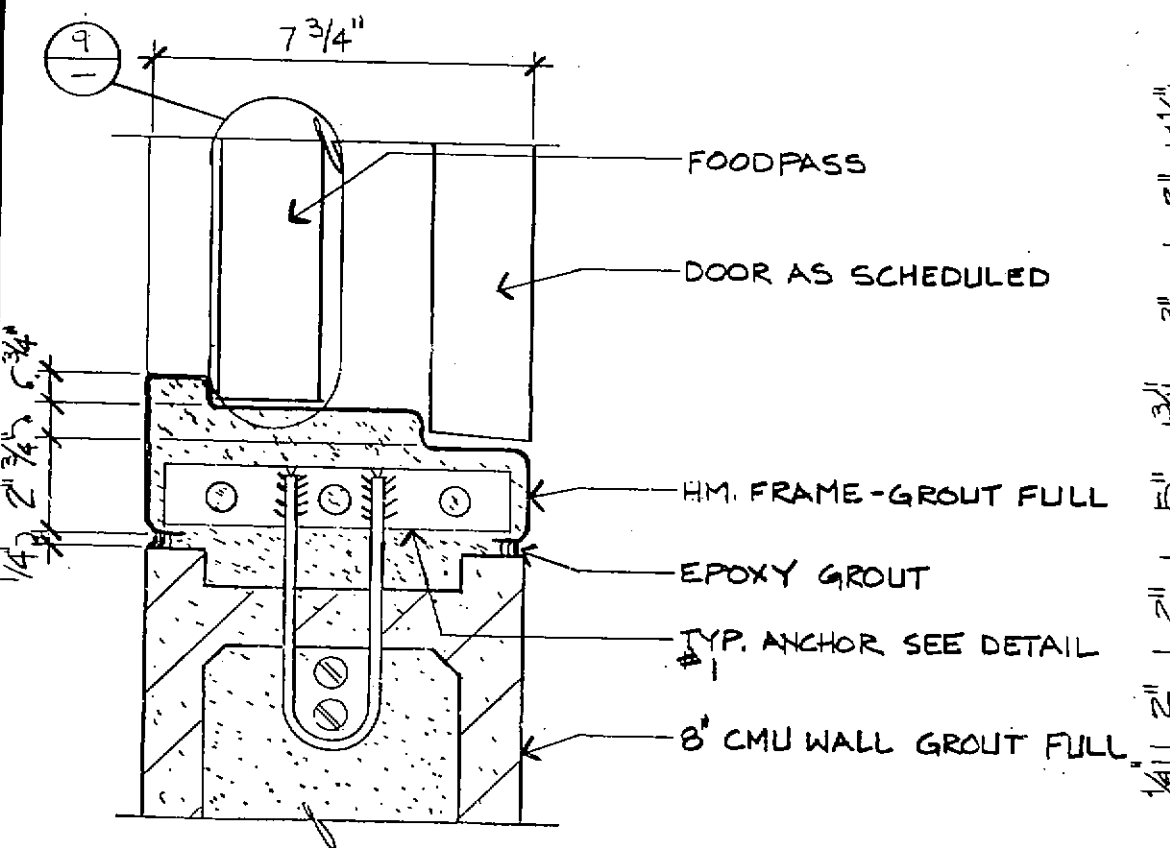
38 SILL
1/2"=1'-0"



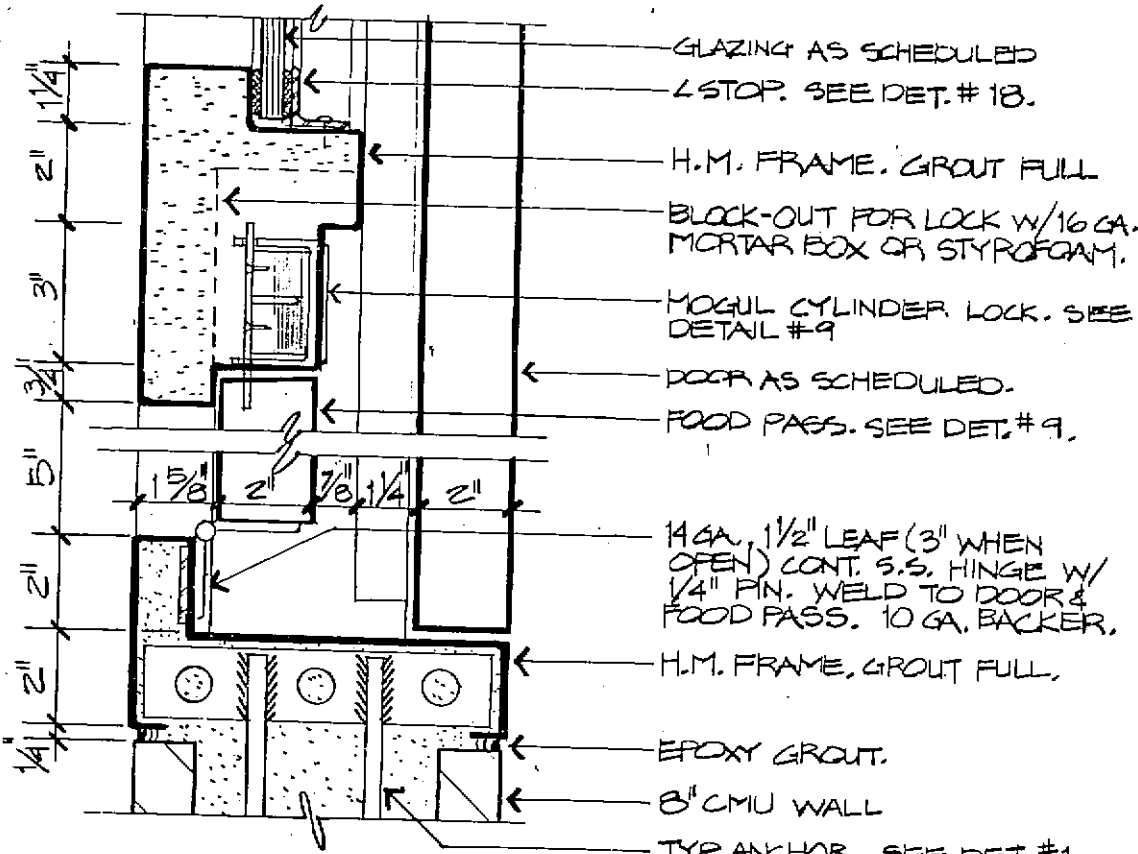
39 JAMB
1/2"=1'-0"



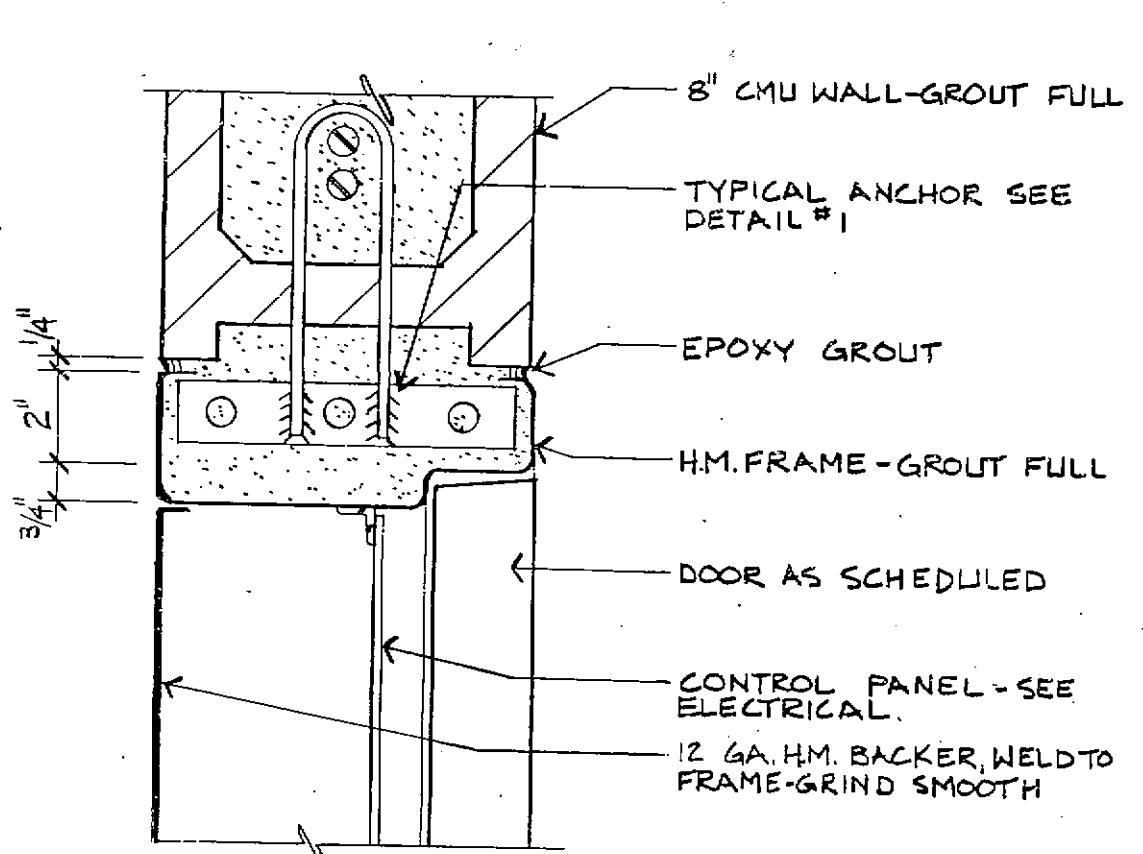
40 HEAD
1/2"=1'-0"



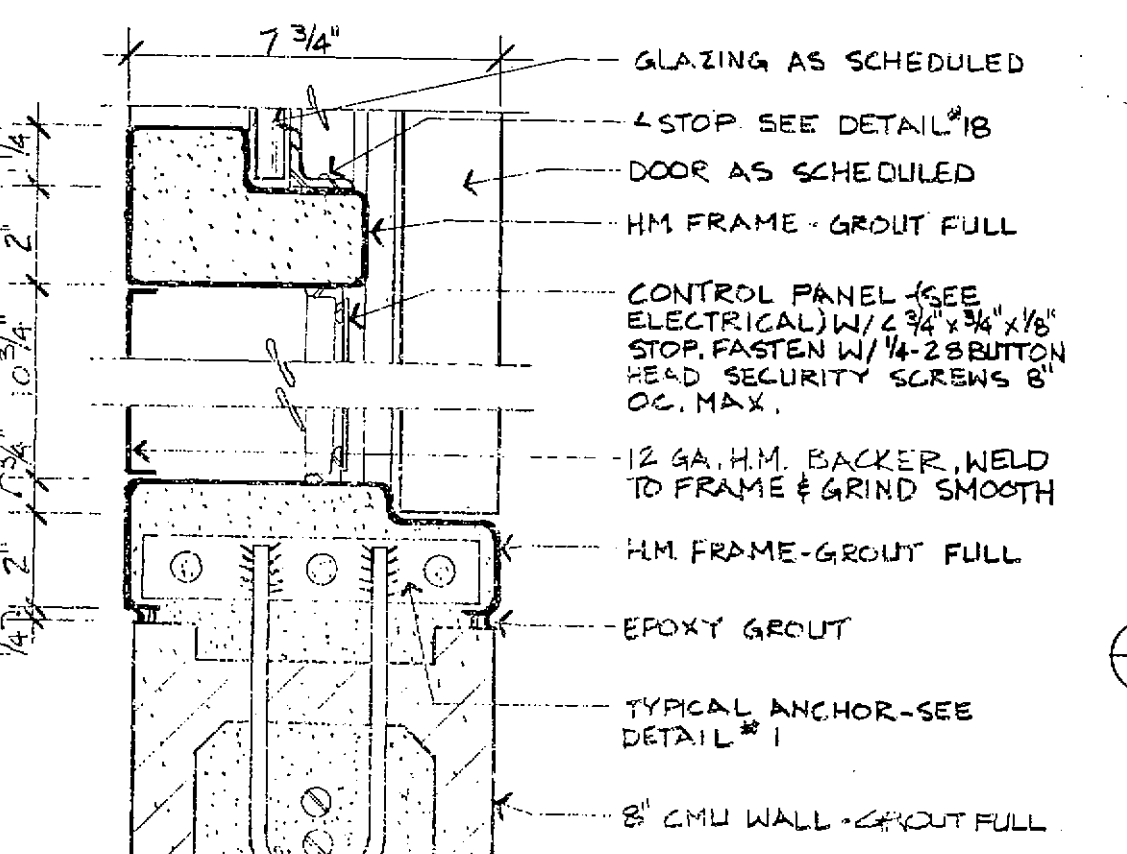
41 JAMB AT FOODPASS
3"=1'-0"



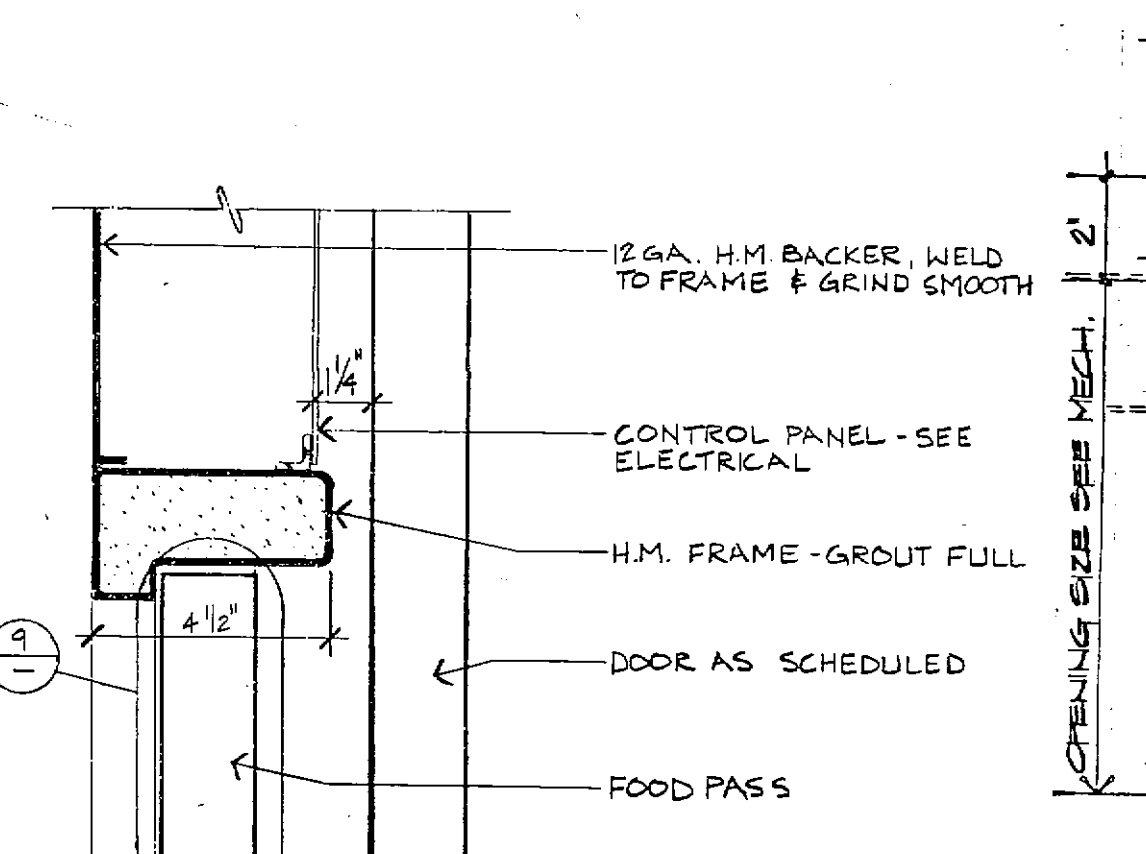
42 FOODPASS AT BORROWLITE
3"=1'-0"



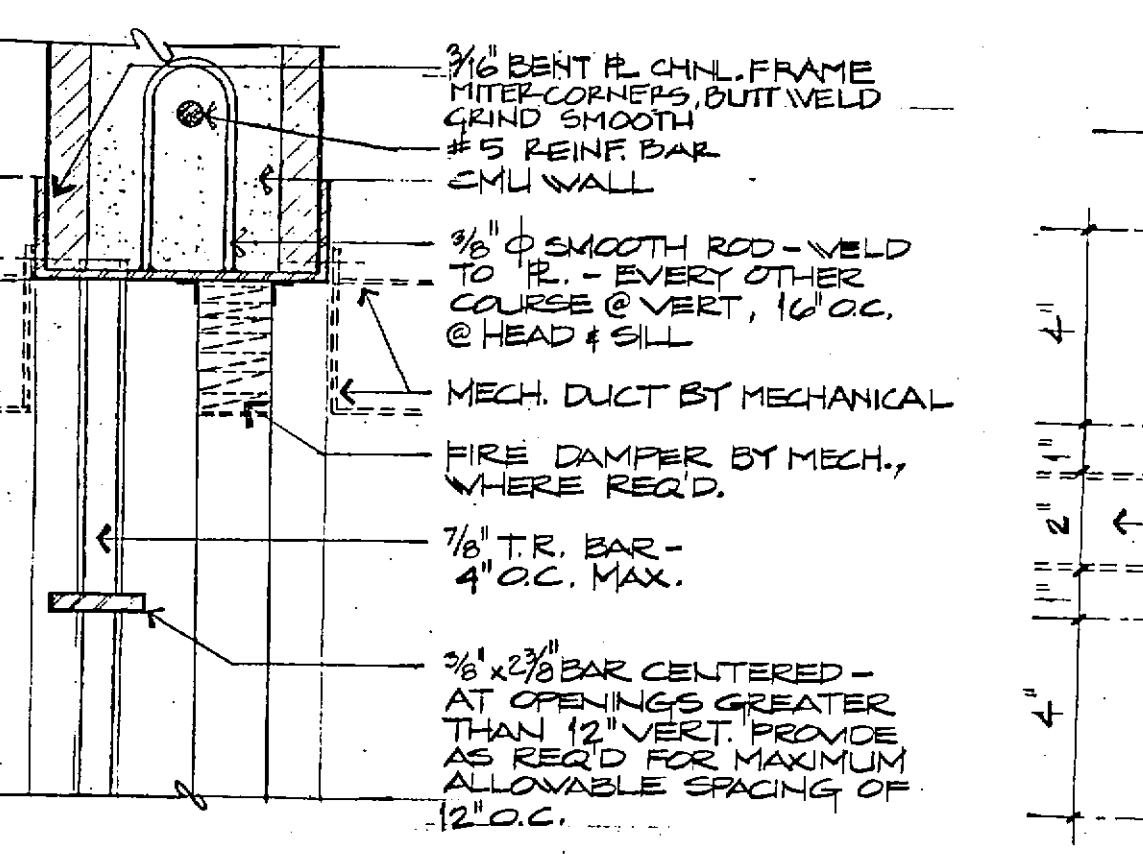
43 JAMB AT CONTROL PANEL
3"=1'-0"



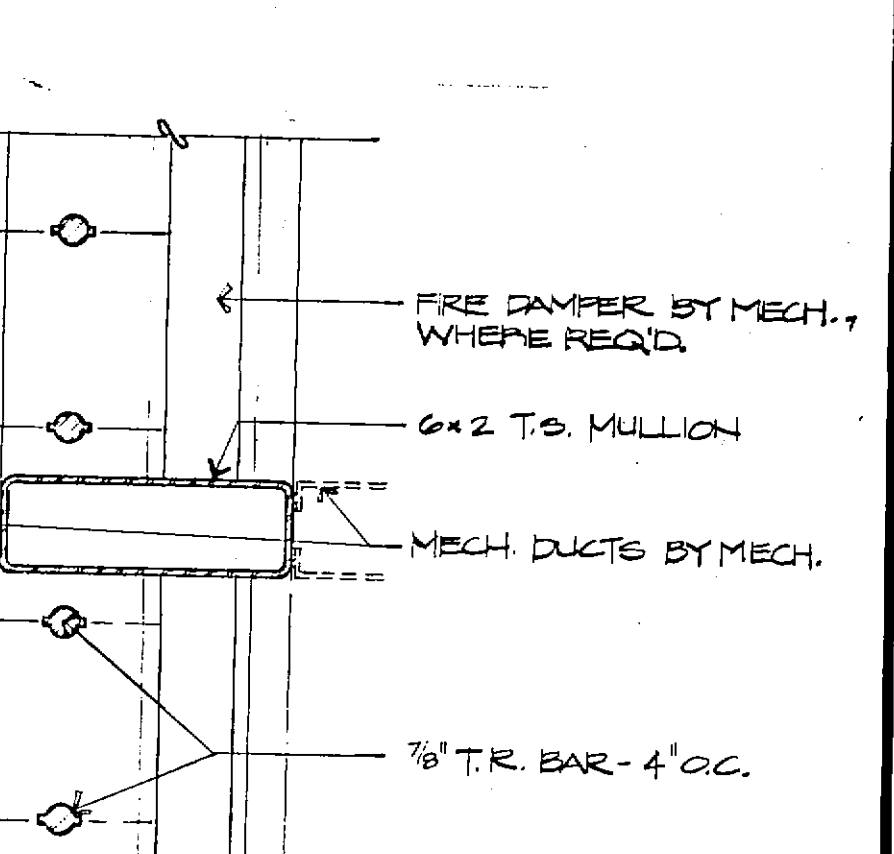
44 CONTROL PANEL AT BORROWLITE
3"=1'-0"



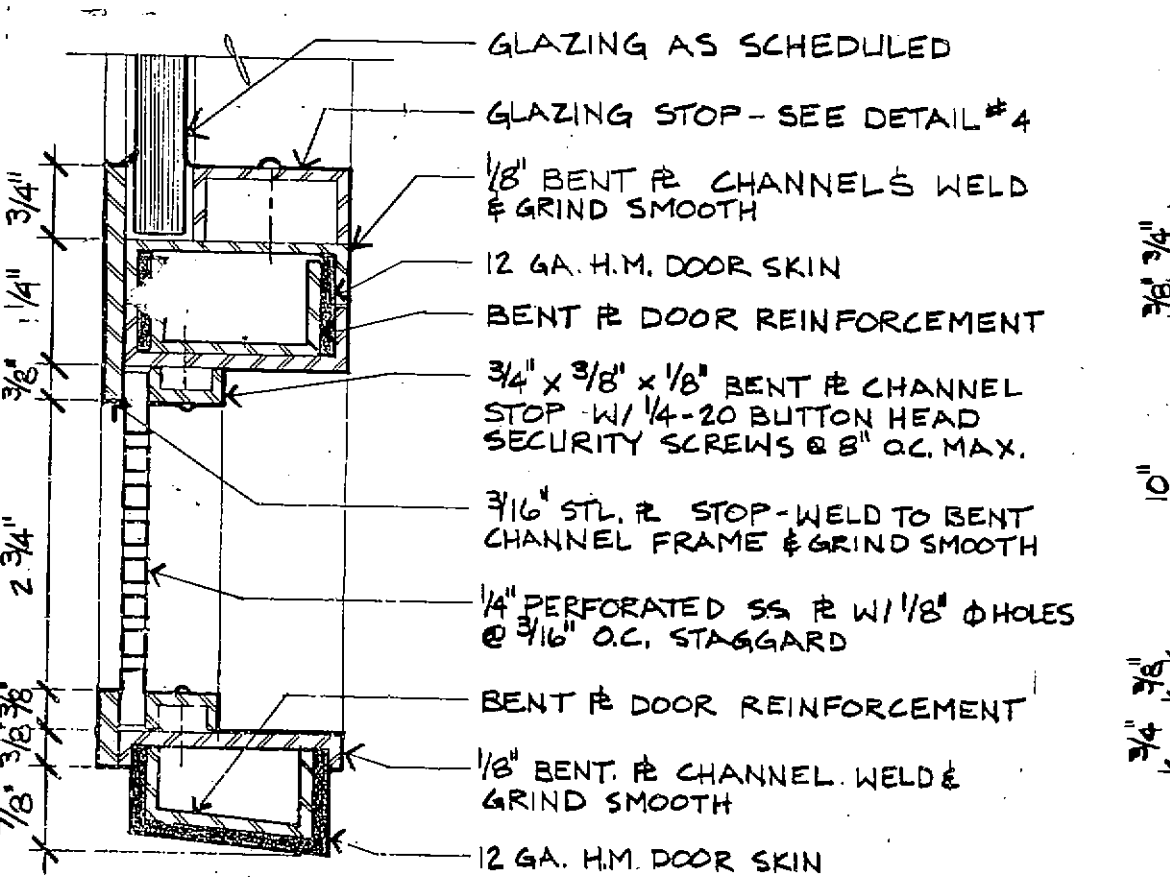
45 FOODPASS/CONTROL PANEL MULLION
3"=1'-0"



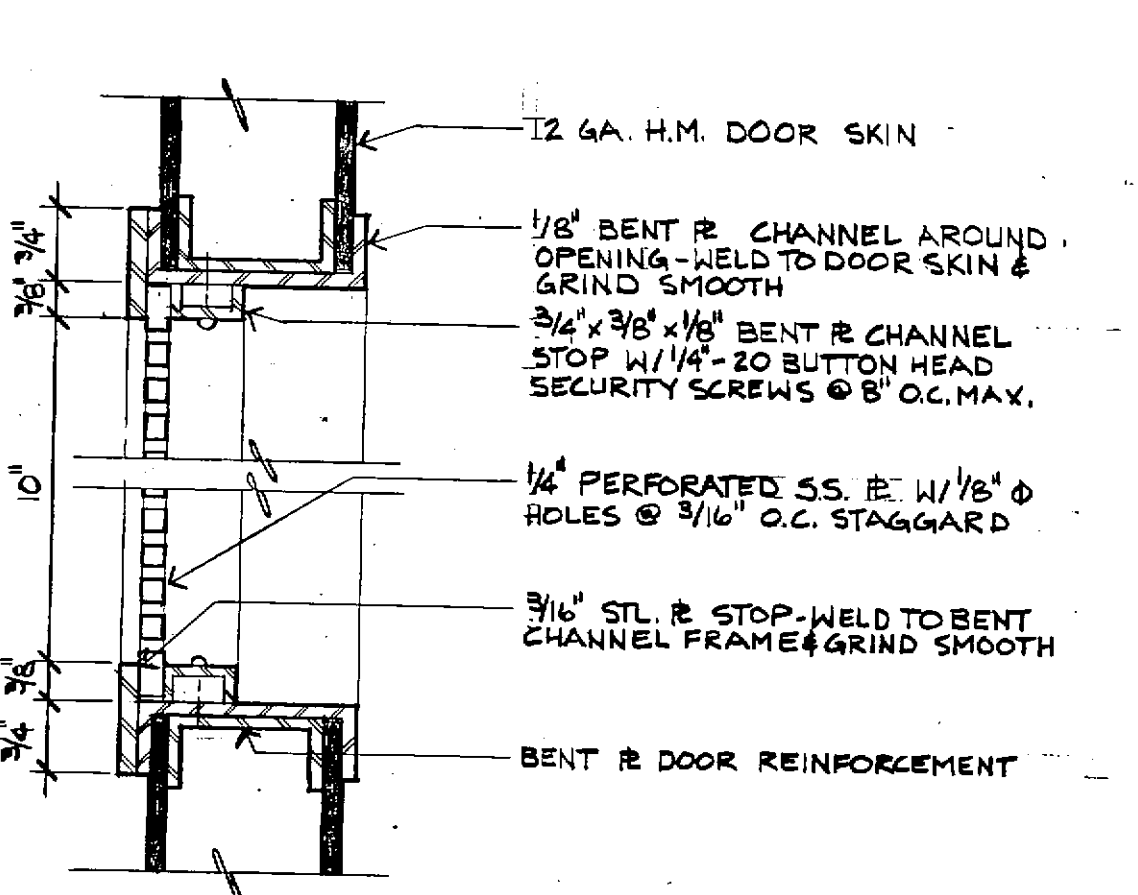
46 MECH. OPENING SECURITY GRILLE
SCALE: 3/8"=1'-0"



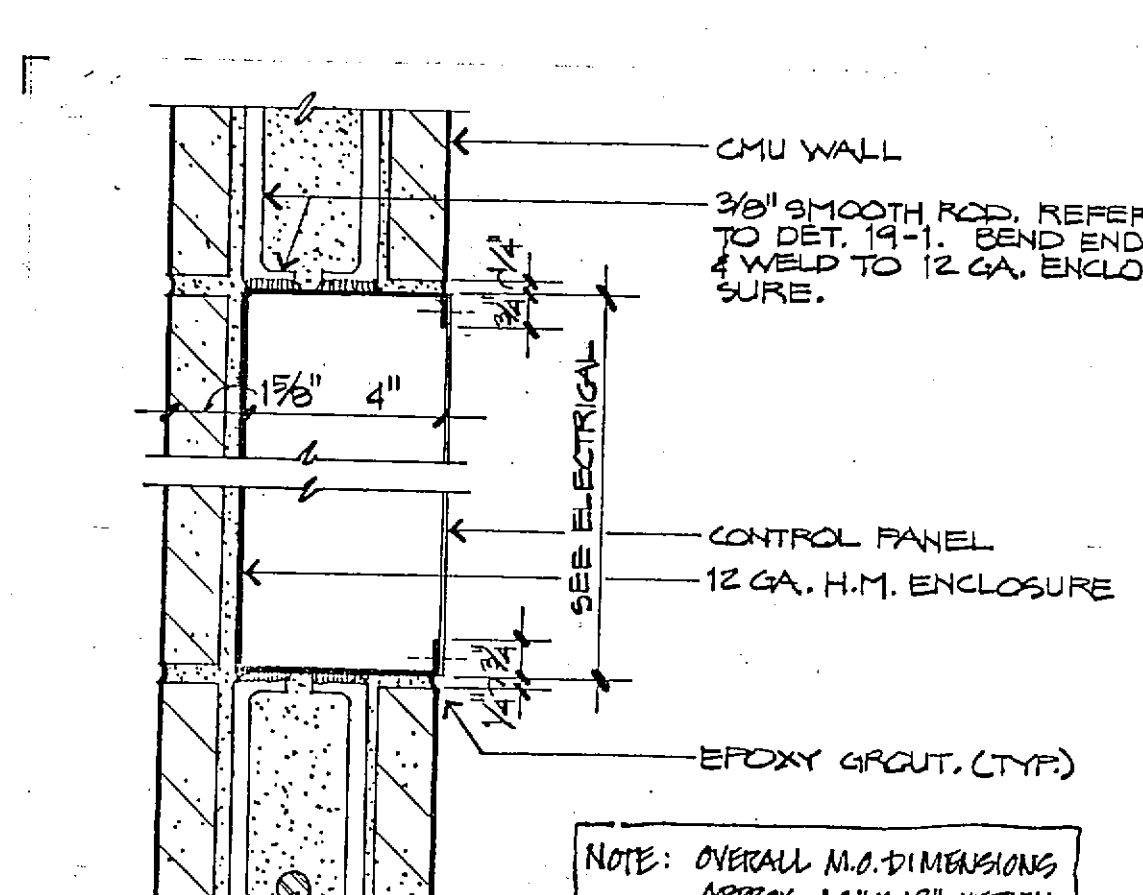
47 MECH. OPENING SECURITY GRILLE
SCALE: 3"=1'-0"



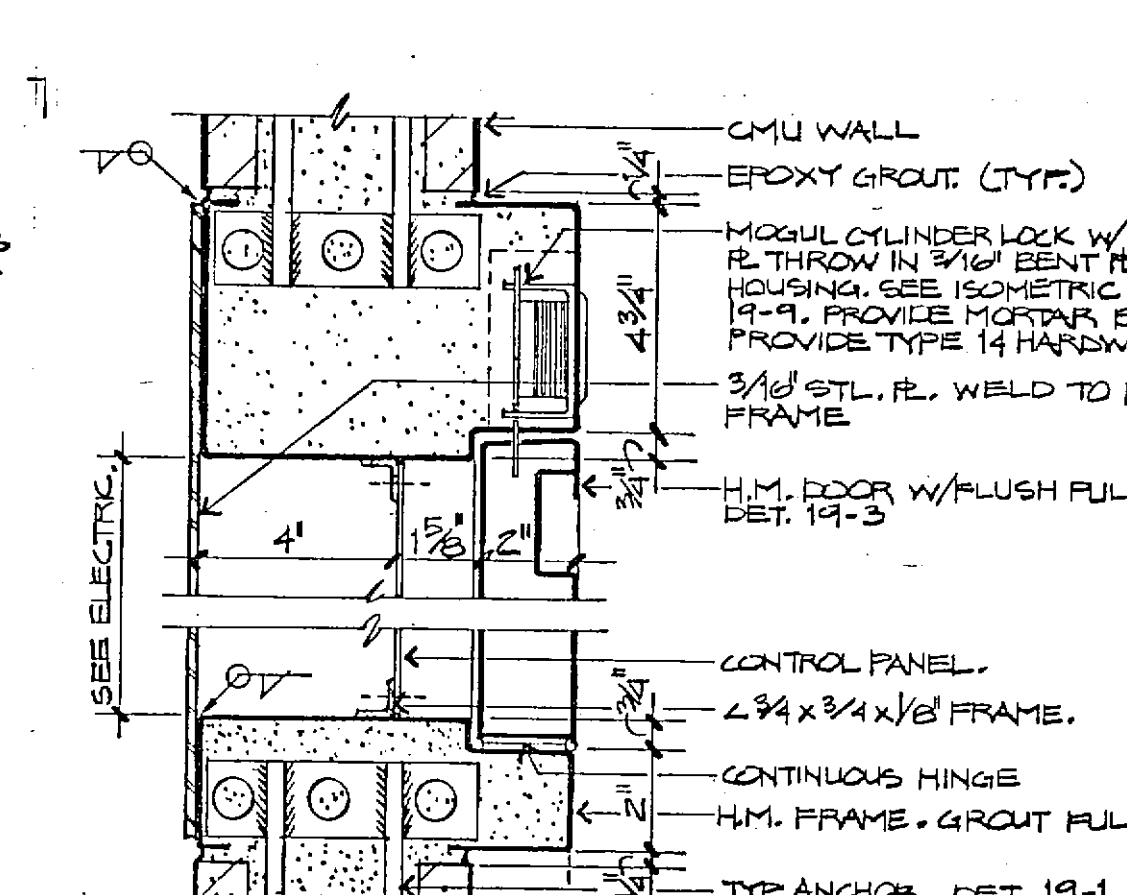
48 SPEAKPORT AT 6" STILE
HALF SIZE



49 SPEAKPORT
HALF SIZE



50 WALL MOUNTED CONTROL PANEL
3"=1'-0" (1 LOCATION)



51 WALL MOUNTED CONTROL PANEL
3"=1'-0" (7 LOCATIONS)

FRANKLIN COUNTY ADULT JAIL
UNION, MISSOURI

PEARCE ENGINEERS
One Mercantile Center
Saint Louis, Missouri 63101

Siebold, Sydow & Eltanbaum Inc.
Structural Engineers
Colton/Lester/Niederhorn Associates, Inc.
Mechanical & Electrical Engineers
Walker McGough Foltz Lyerta, P.S.
Security Consultants

DRAWN BY
WAF

CHECKED BY
DAVID W. PEARCE

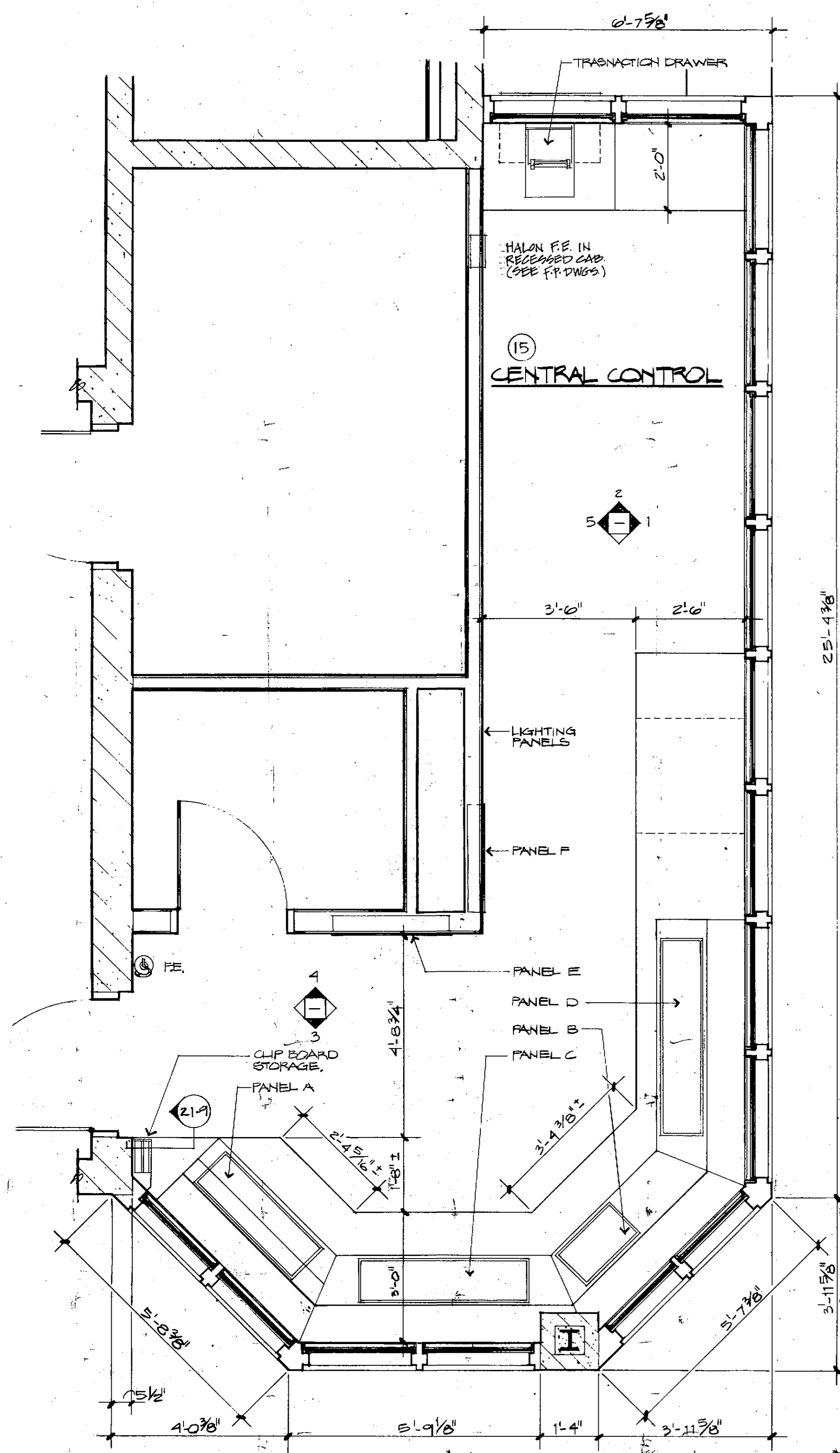
REVISED
MARCH 22, 1986

PROJ. NO.
84-07.1.00

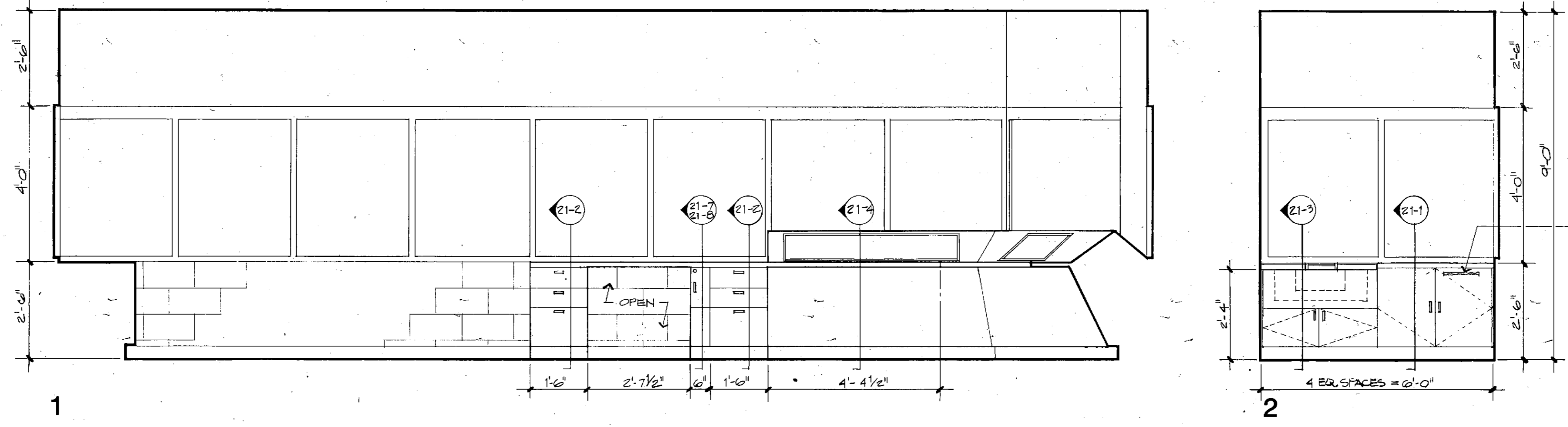
DATE

20

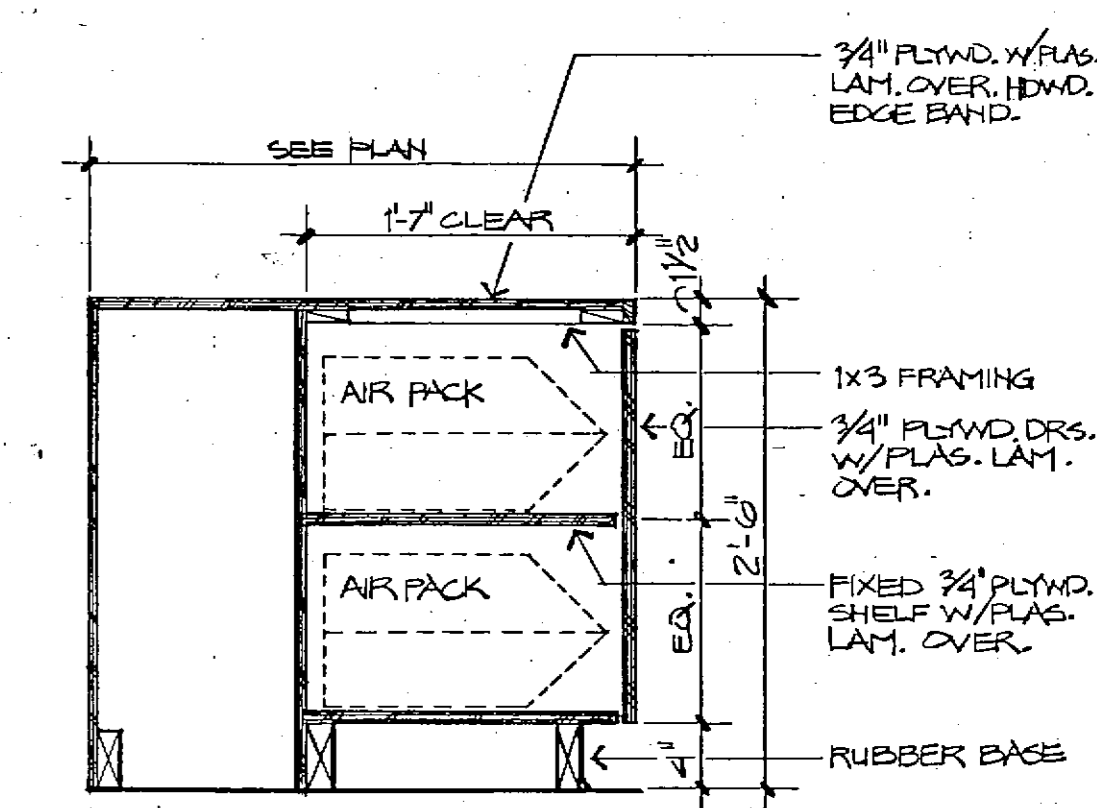
STATE OF MISSOURI
REGISTERED ARCHITECT



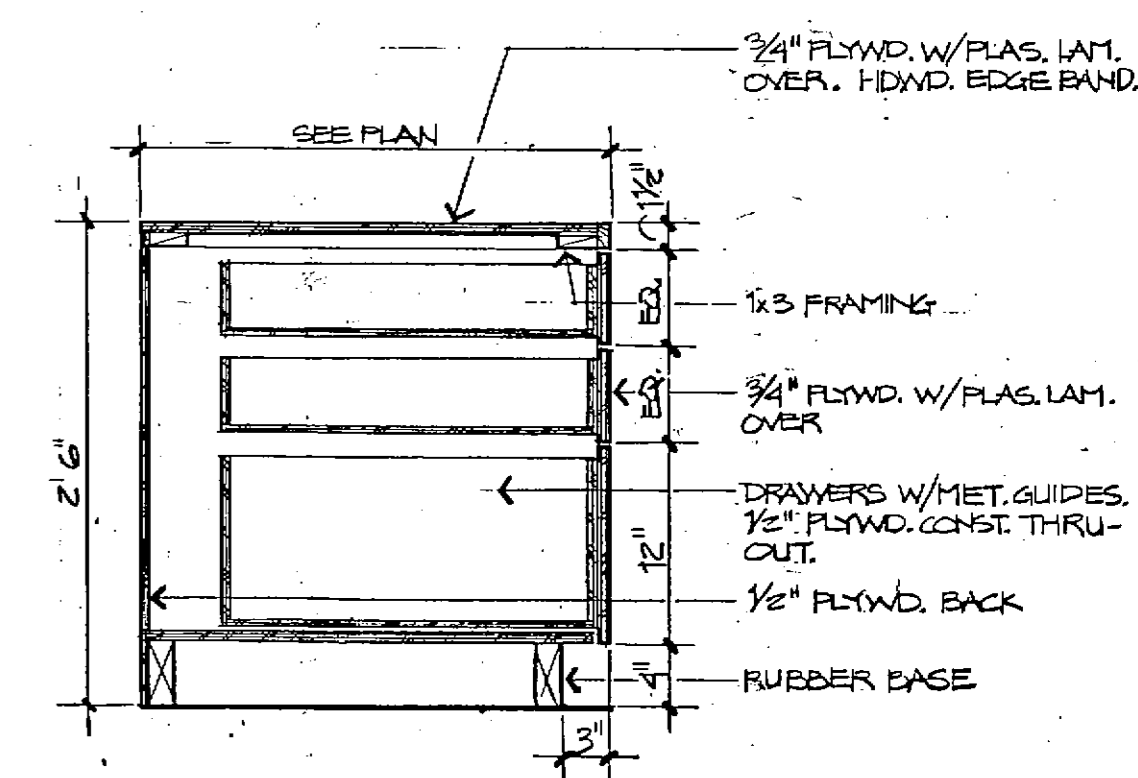
CENTRAL CONTROL ROOM
1/2" = 1'-0"



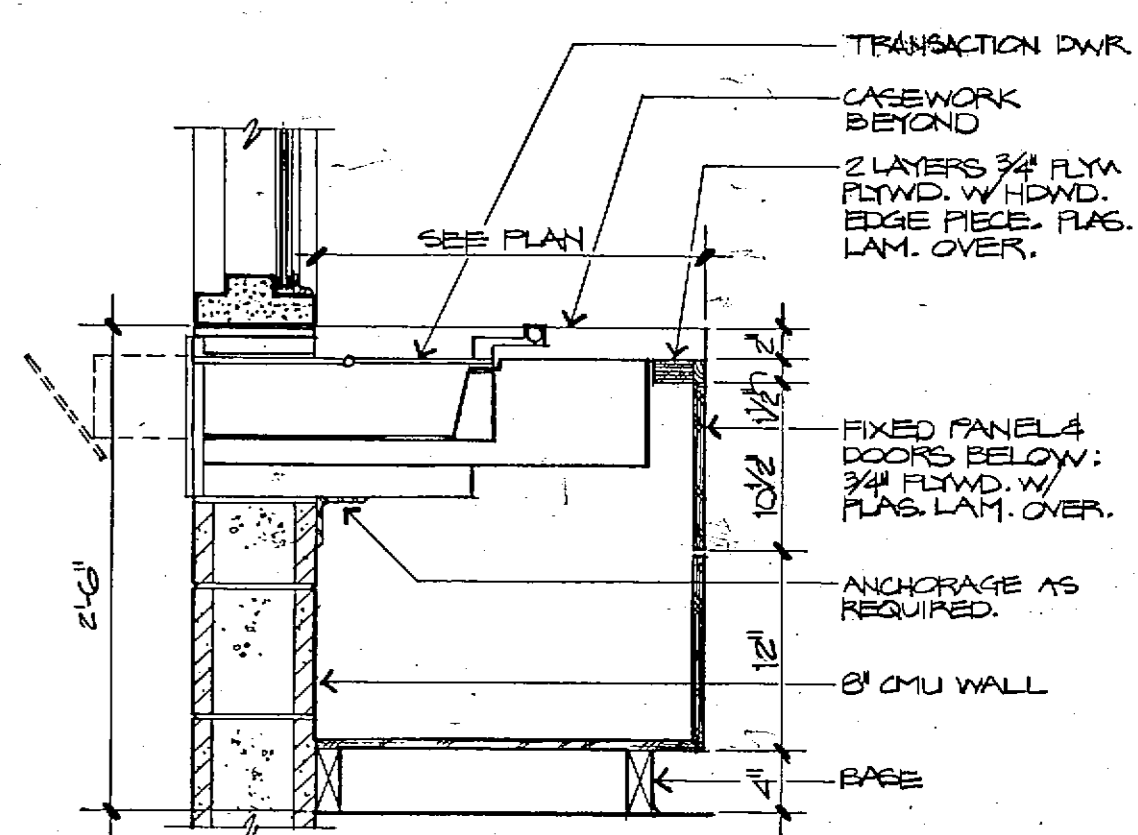
ELEVATIONS
1/2" = 1'-0"



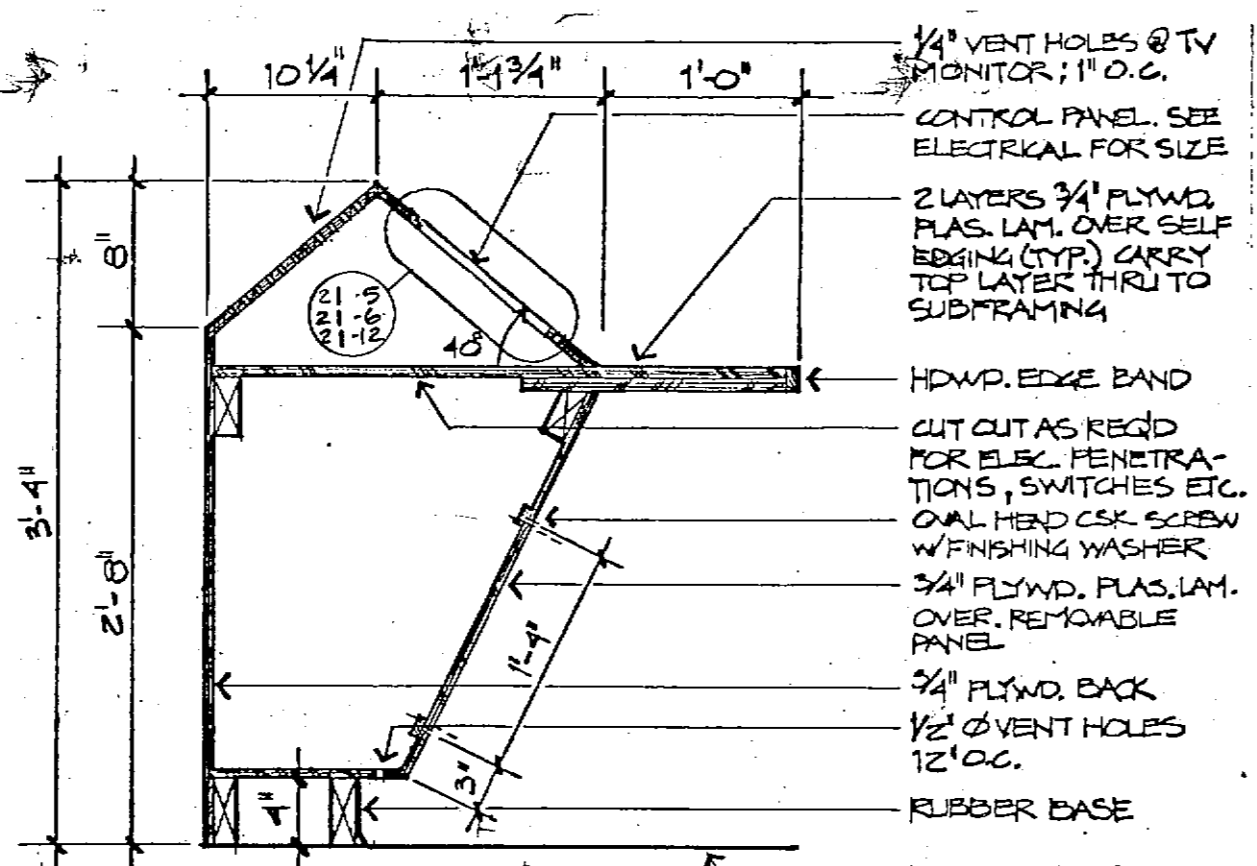
1 AIR PACK STORAGE
1" = 1'-0"



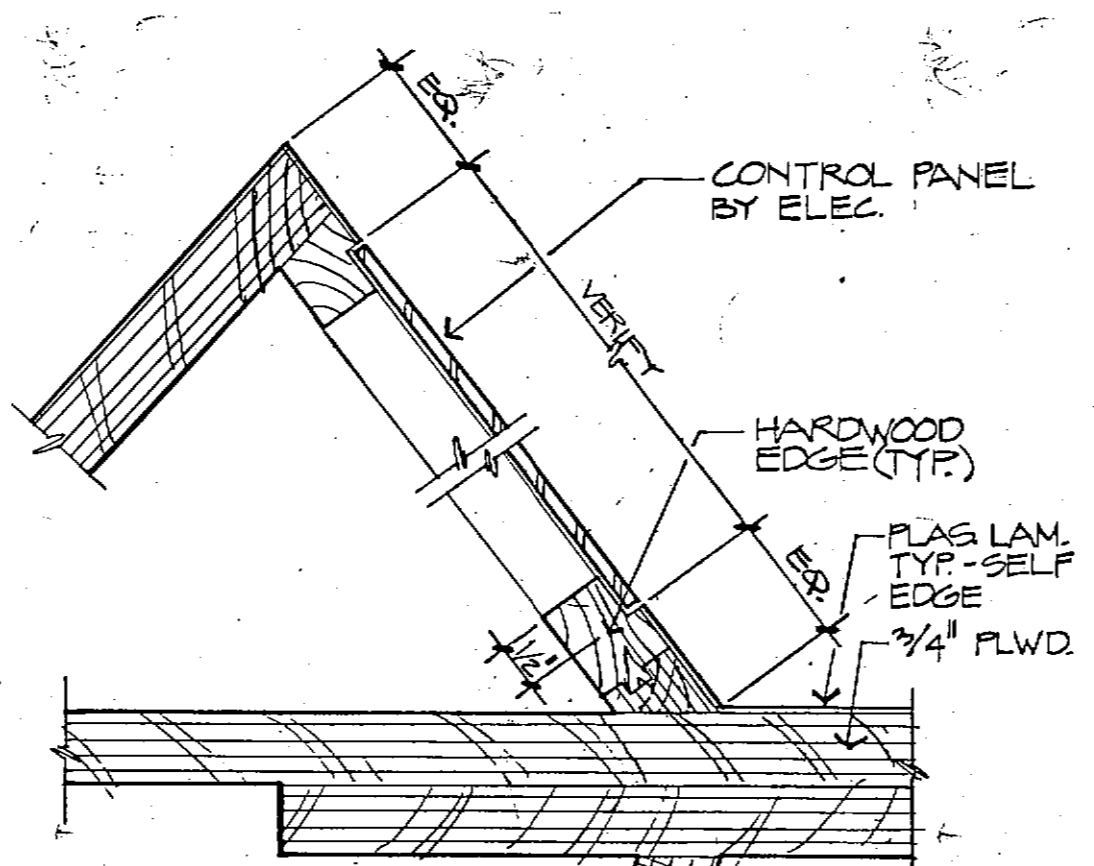
2 DRAWER BASE
1" = 1'-0"



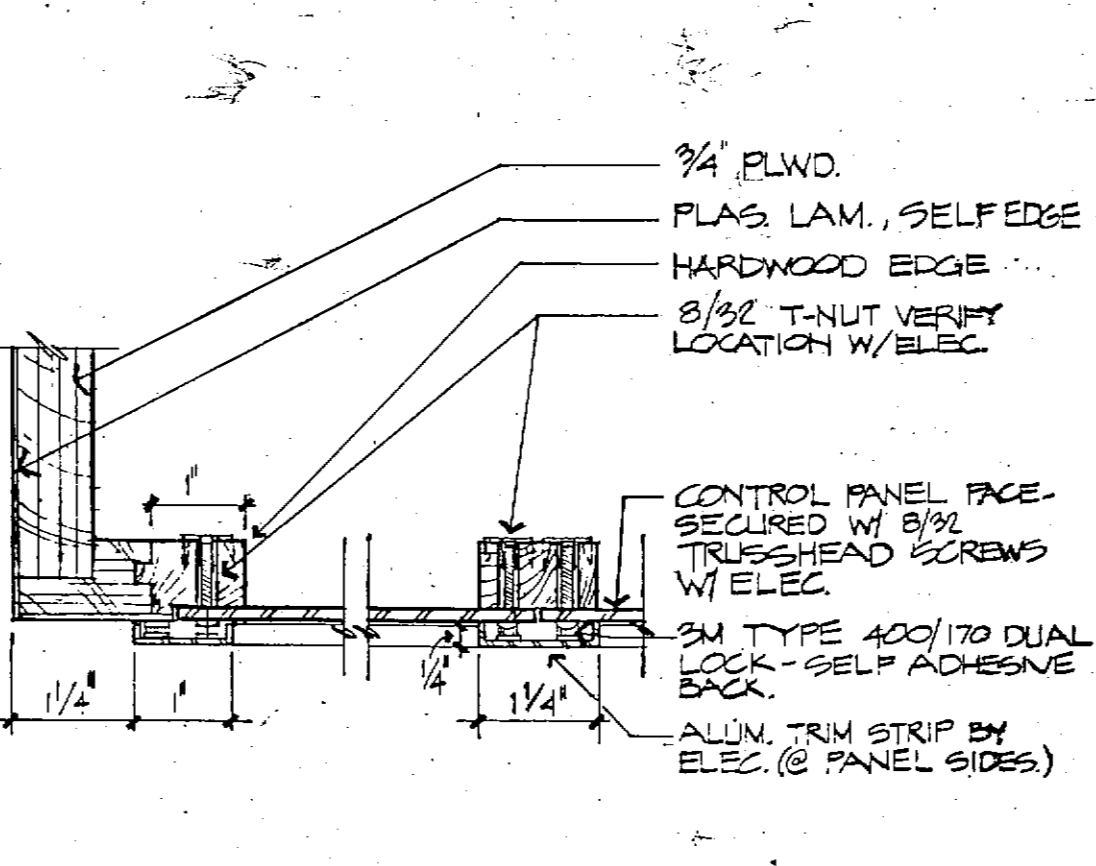
3 TRANSACTION DRAWER AT COUNTER
1" = 1'-0"



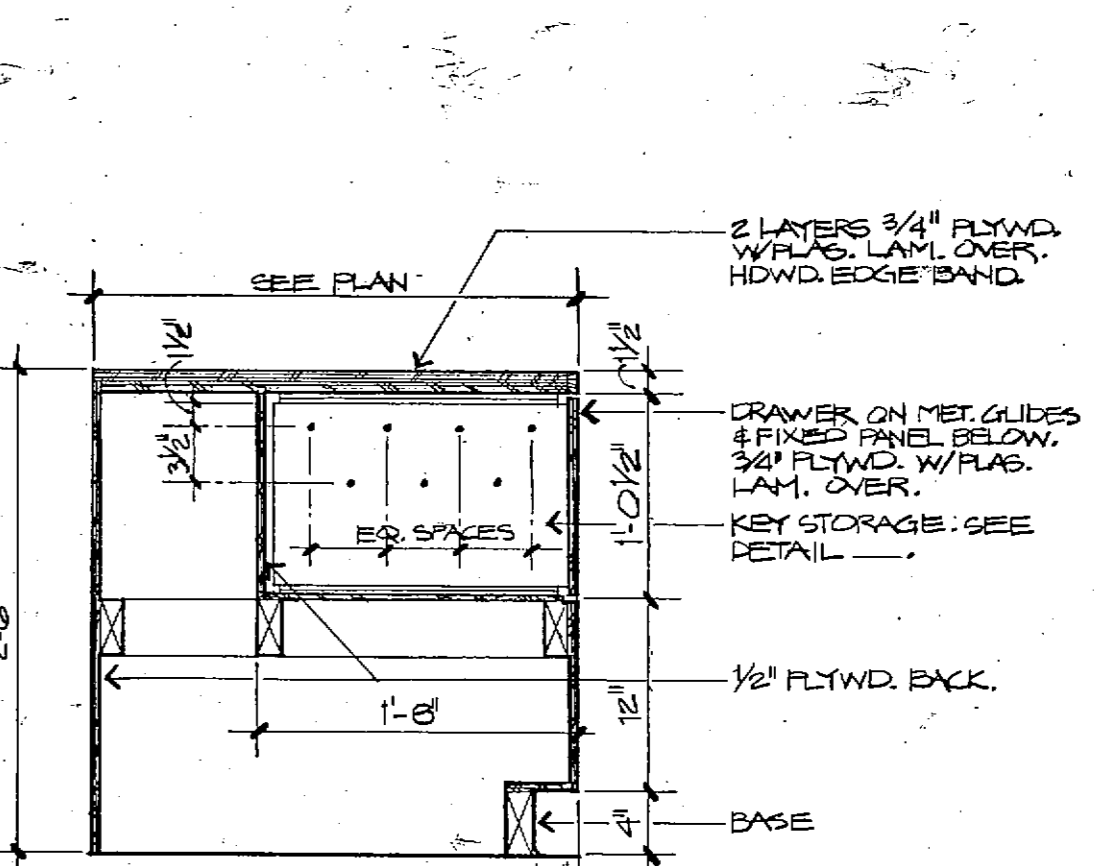
4 CONTROL CABINET
1" = 1'-0"



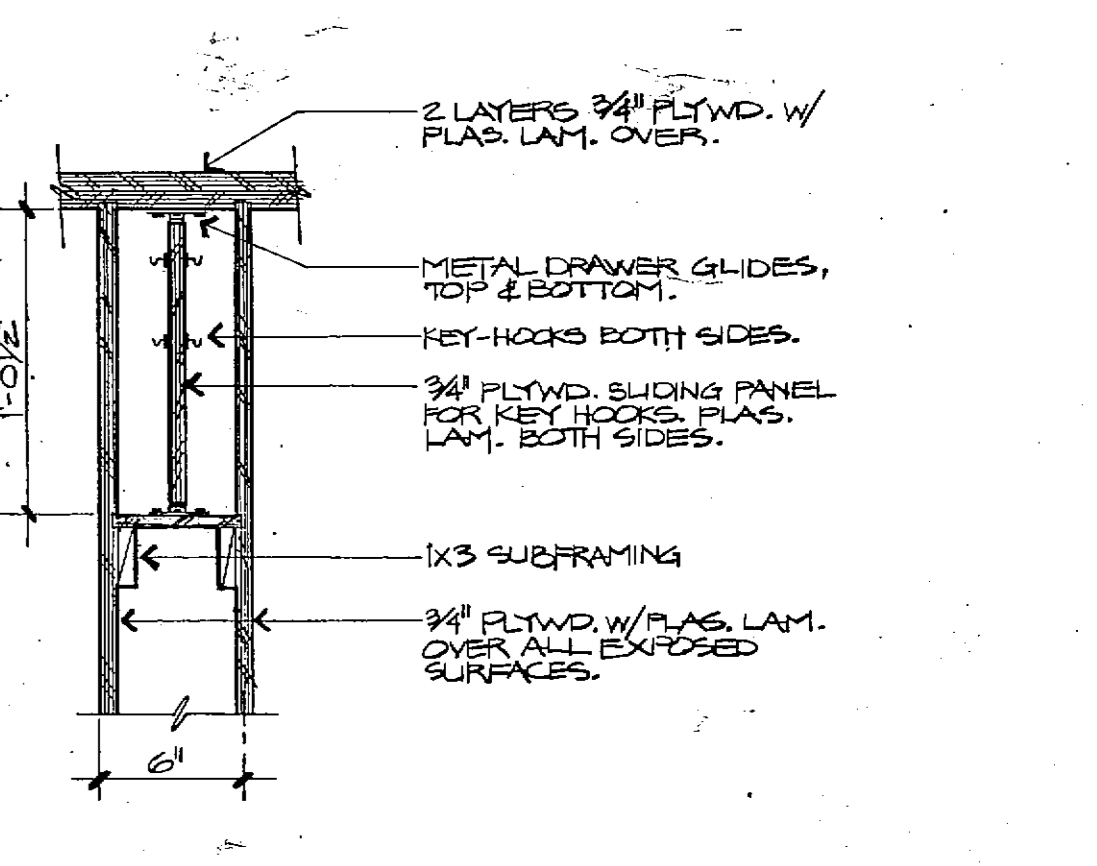
5 CONTROL PANEL MOUNTING
HALF SIZE



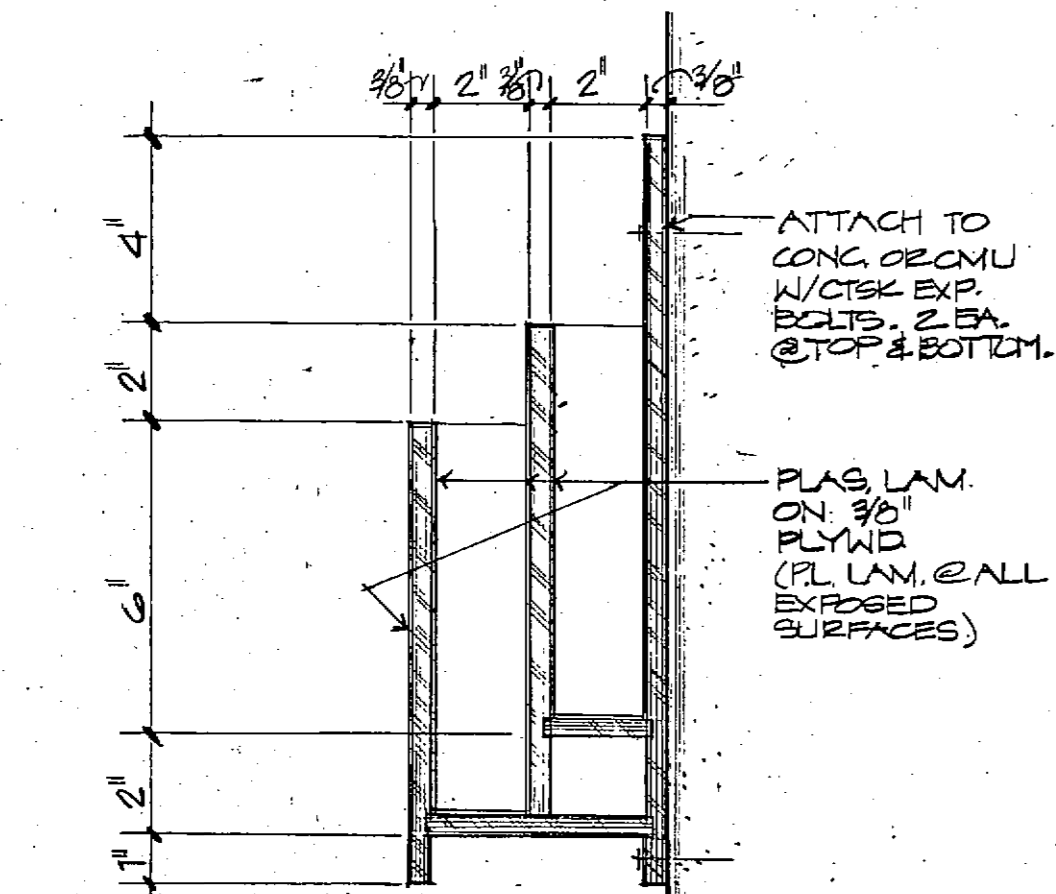
6 CONTROL PANEL MOUNTING
1/2" = 1'-0"



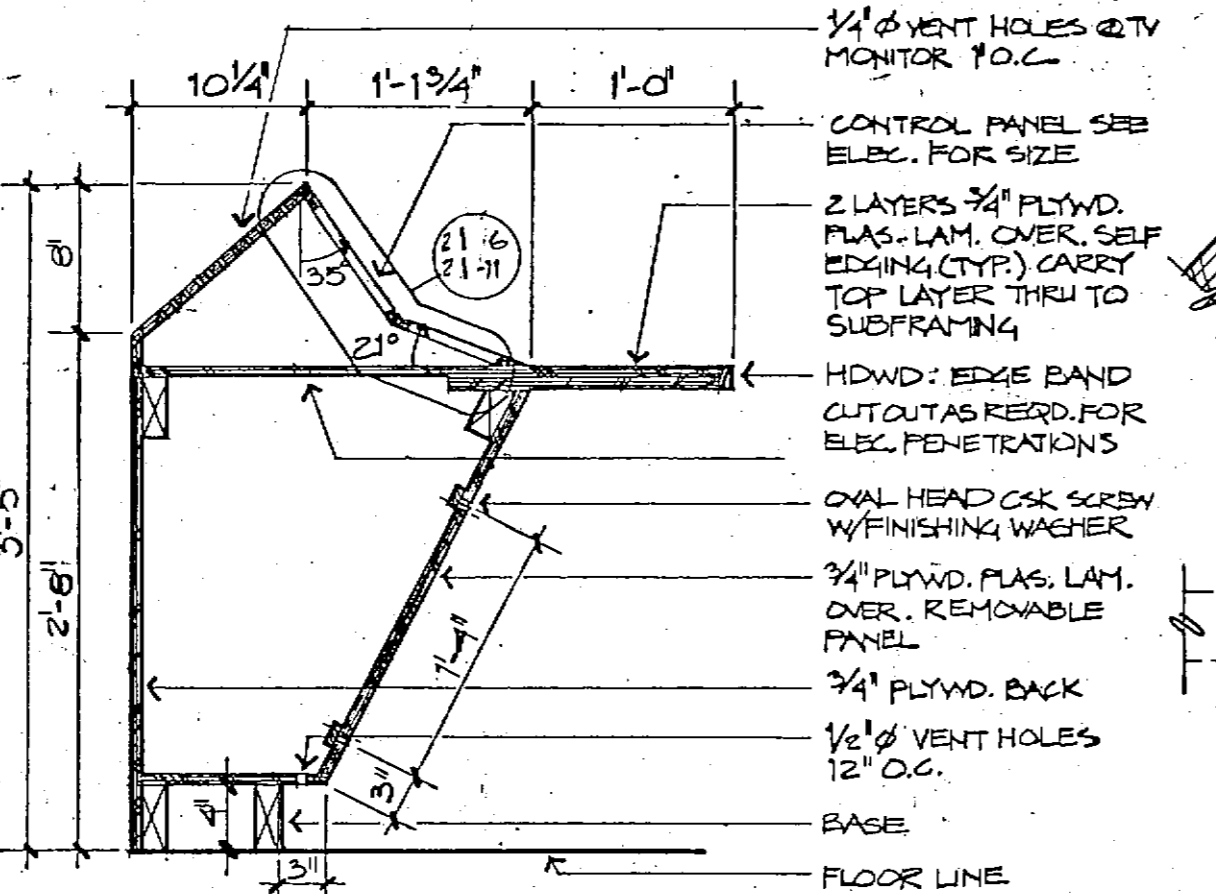
7 KEY STORAGE
1" = 1'-0"



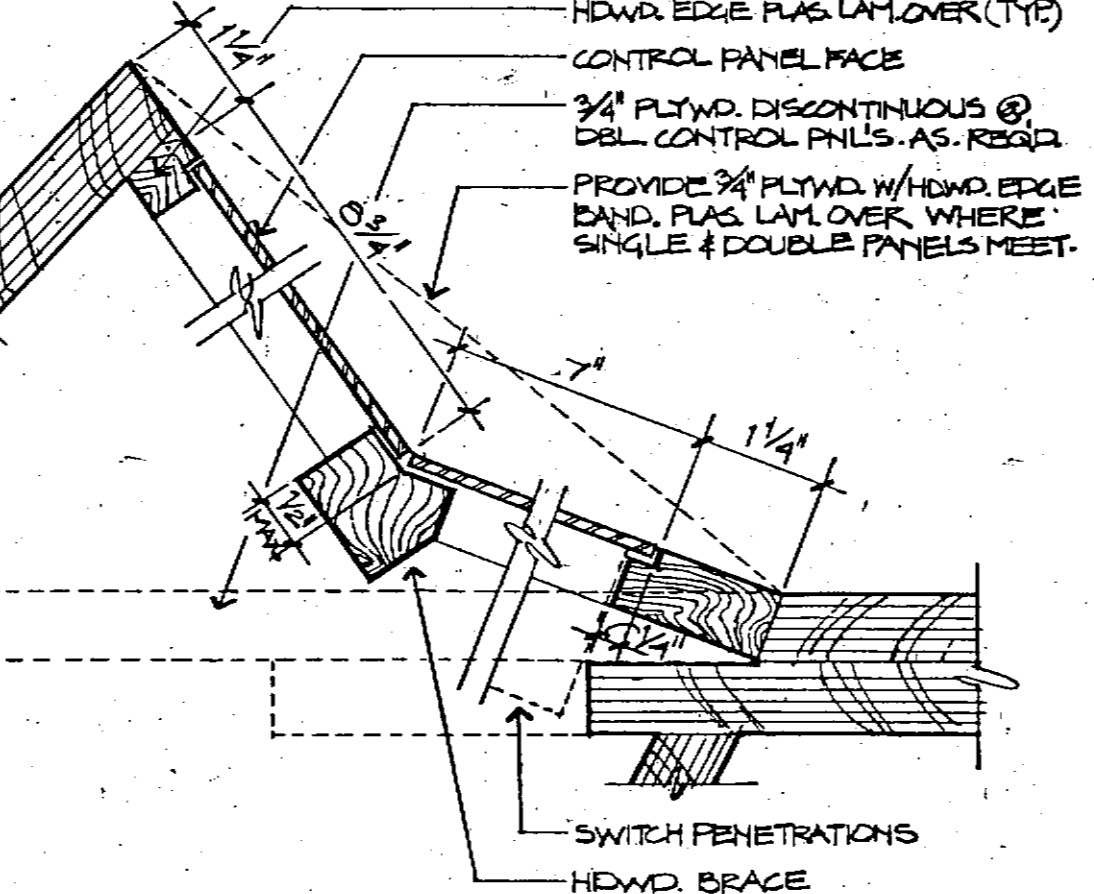
8 KEY STORAGE
1/2" = 1'-0"



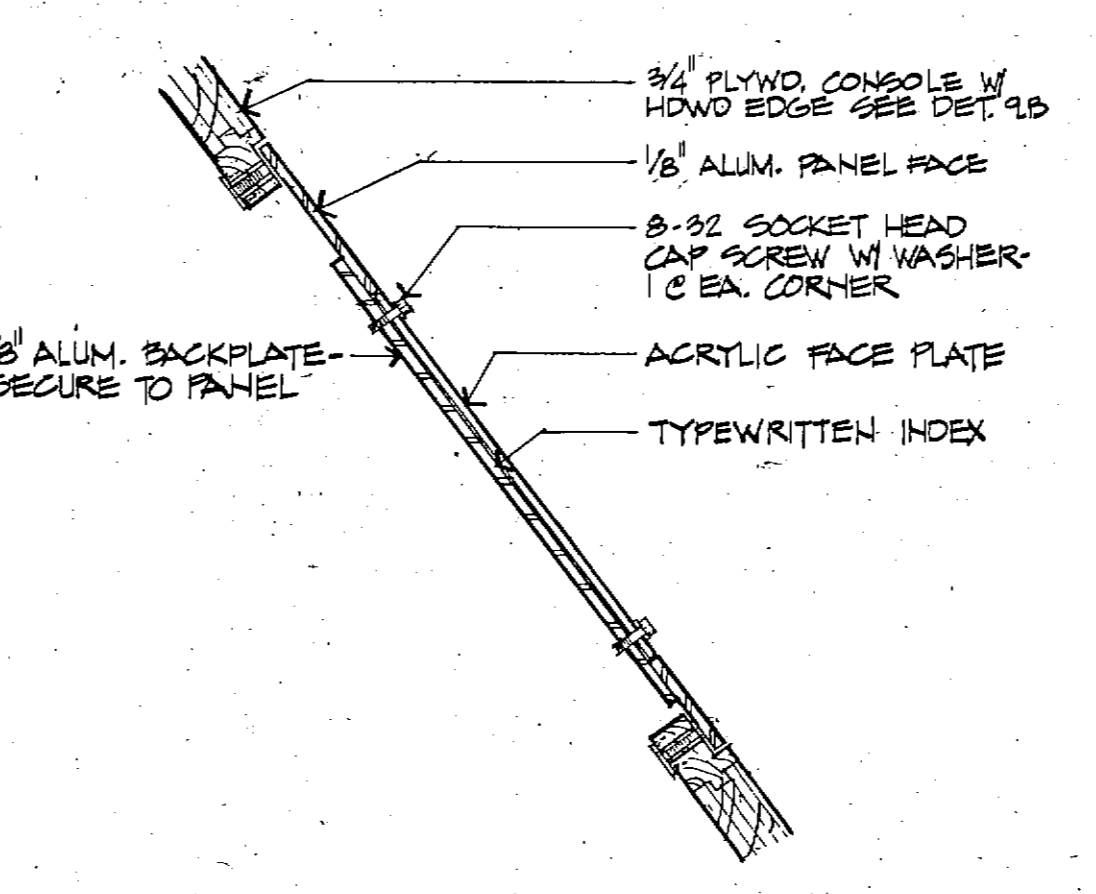
9 CLIP BOARD RACK
3/4" = 1'-0"



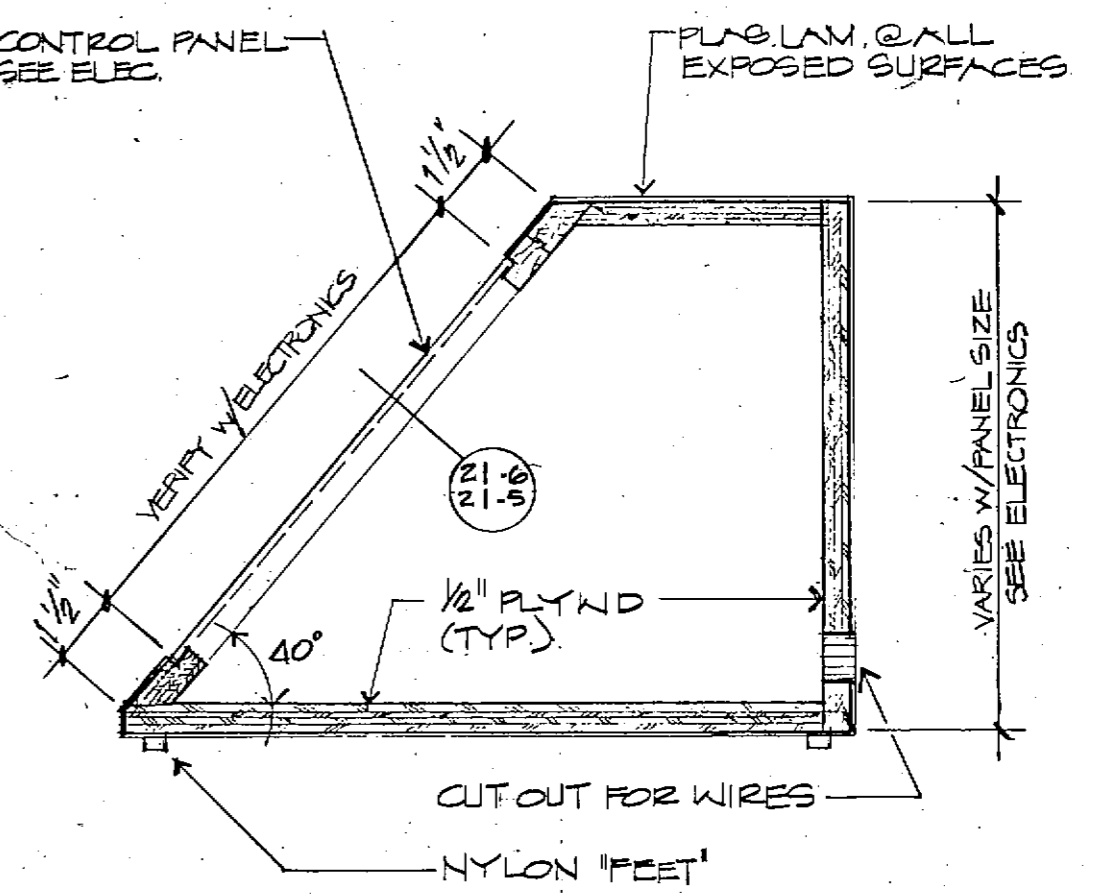
10 CONTROL CABINET
1" = 1'-0"



11 CONTROL PANELS
HALF SIZE



12 MASTER INTERCOM INDEX
N.T.S.



13 DESK TOP CONTROL PANEL CAB.
3" = 1'-0"

FRANKLIN COUNTY ADULT JAIL
UNION, MISSOURI

PEARCE
One Mainline Center
St. Louis, Missouri 63101

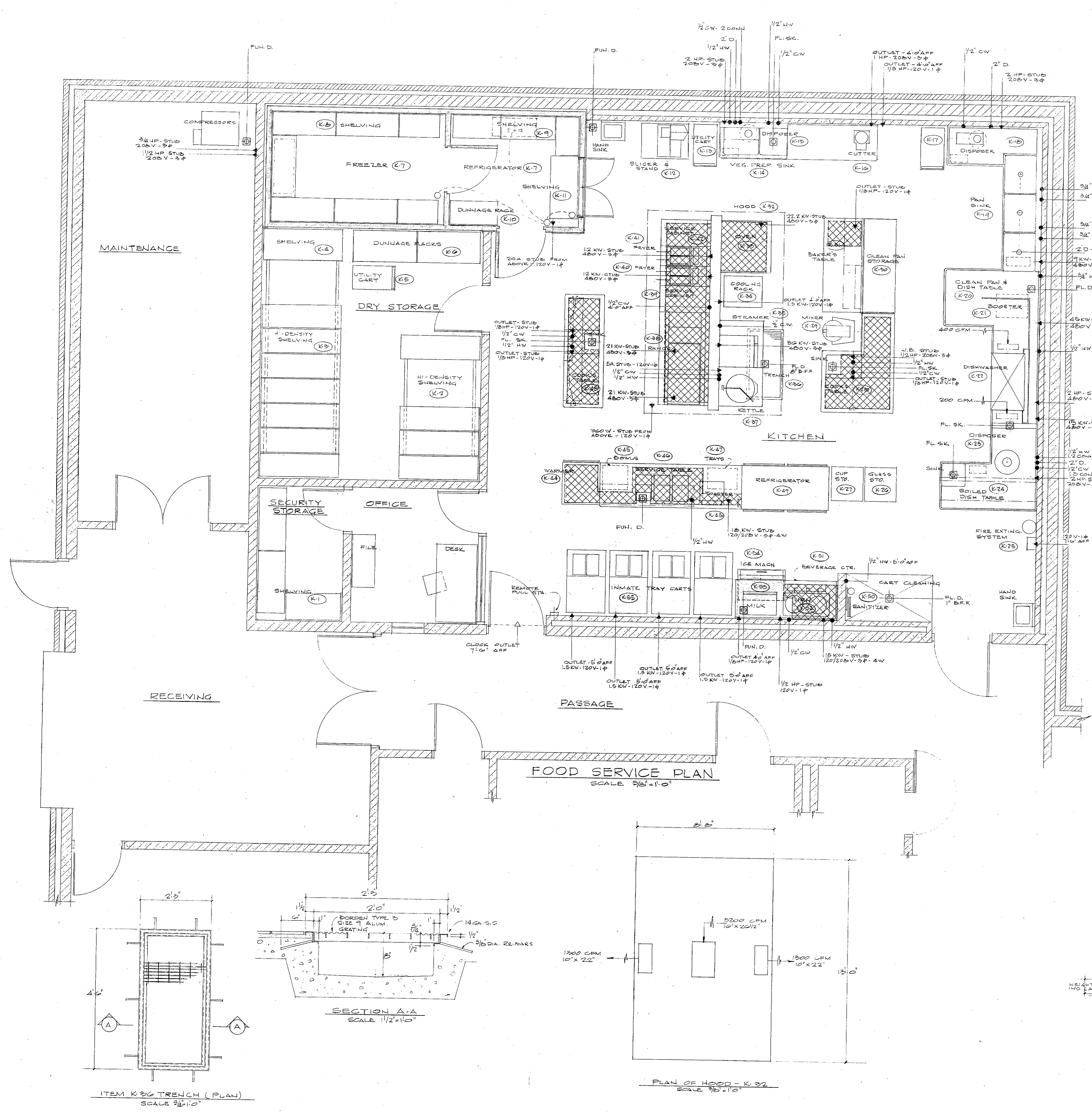
Siebold, Sydow & Efanbaum Inc.
Structural Engineers
Colton/Lester/Niederhorn Associates, Inc.
Mechanical & Electrical Engineers
Walker McGoough Foltz Lyster, P.S.
Security Consultants

STATE OF MISSOURI
REGISTERED ARCHITECT

DAVID W. PEARCE
NUMBER A1131

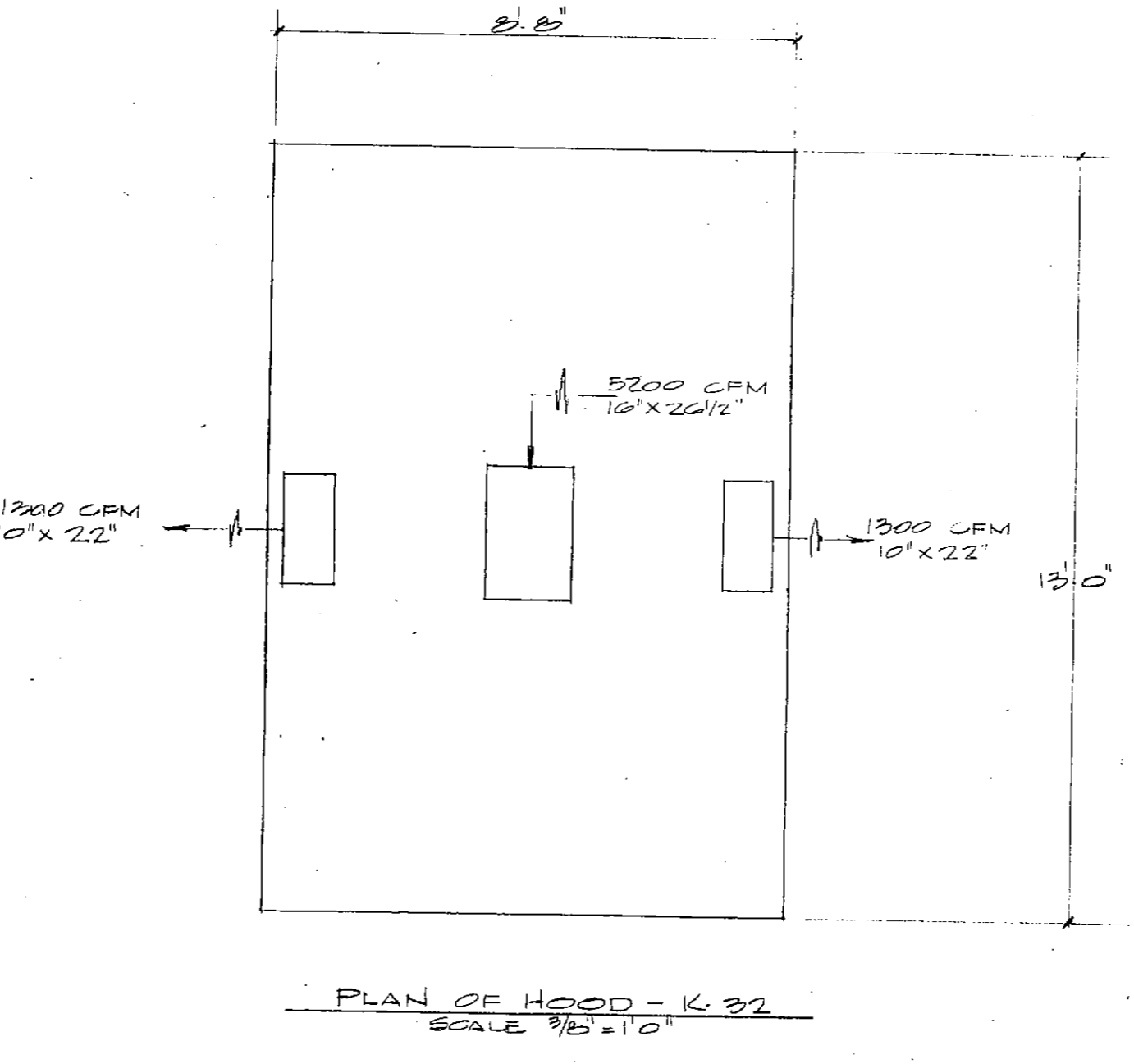
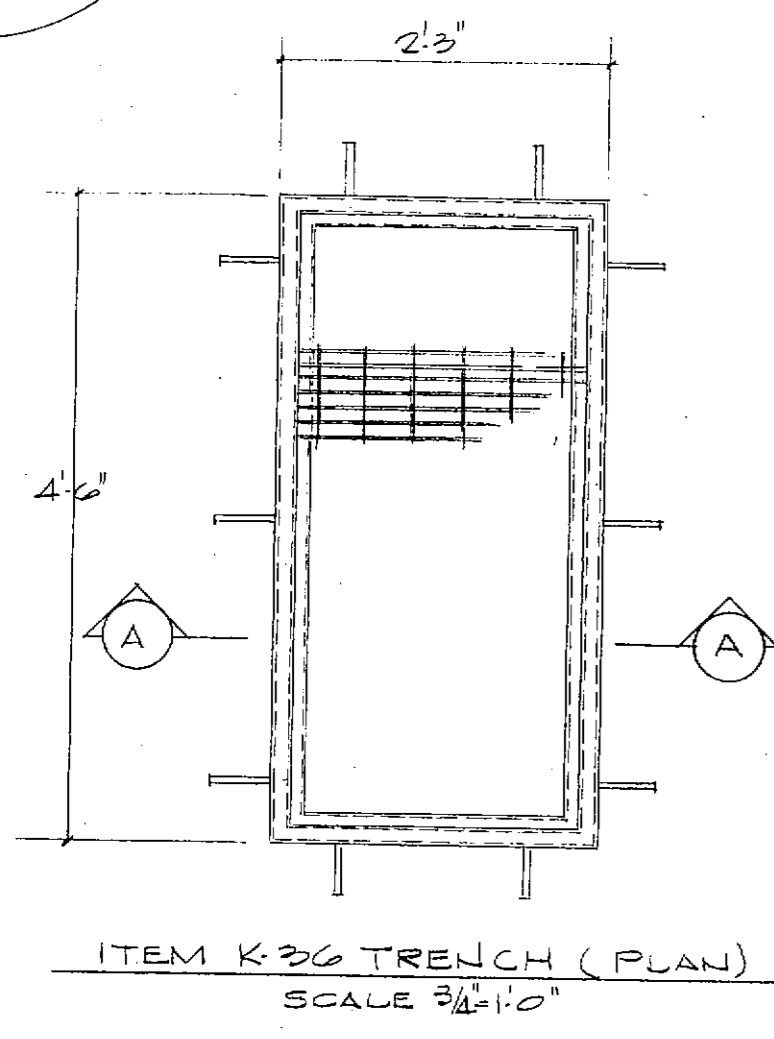
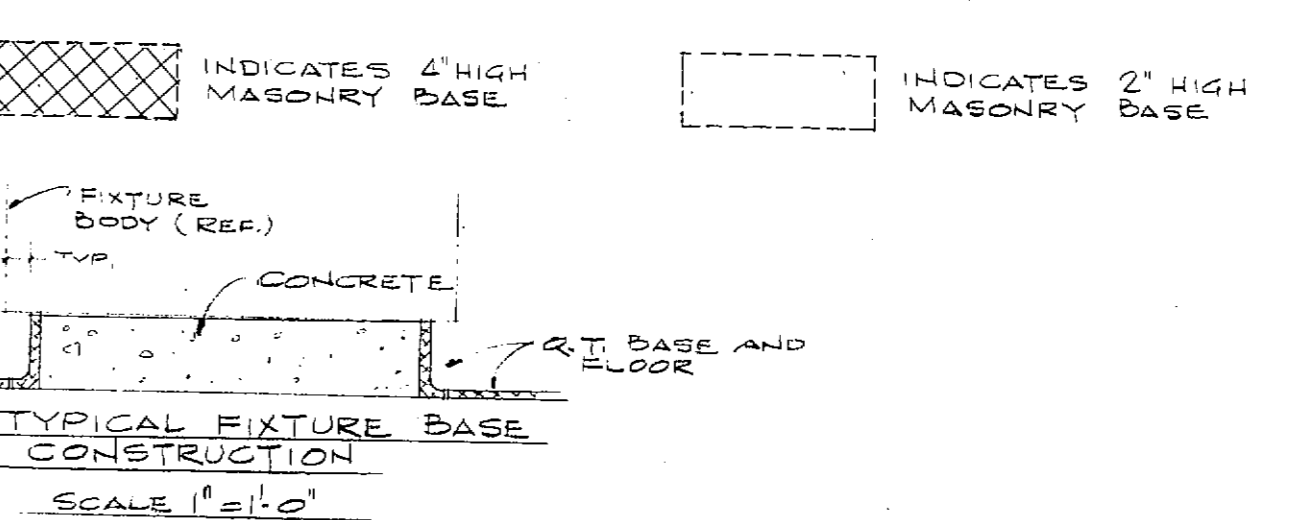
PROJ. NO. 04-07-1.00
DATE MARCH 22, 1969

DRAWN BY WMFL
CHECKED BY BCL/MSM
REVISED
21
DRAWING NO.



ITEM NO	DESCRIPTION	NO REQ'D	HW	CV	D	CFM	ELECTRICAL				REMARKS		
							HP	KV	V	Φ			
K-1	SHELVING	LOT											
K-2	HI-DENSITY SHELVING	LOT											
K-3	HI-DENSITY SHELVING	LOT											
K-4	SHELVING	1											
K-5	UTILITY CART	1											
K-6	DUNNAGE RACKS	LOT											
K-7	REFRIGERATOR-FREEZER	1											
	REFRIG. COMPRESSOR							3/4		208	3		
	FREEZER COMPRESSOR							1/2		208	3		
K-8	SHELVING	LOT											
K-9	SHELVING	LOT											
K-10	DUNNAGE RACK	1											
K-11	SHELVING	1											
K-12	SLICER & STAND	1						1/2		120	1	CORD & PLUG	
K-13	UTILITY CART	1											
K-14	VEGETABLE PREP SINK	1	(2) 1/2	(2) 1/2	FL. SK.								
K-15	DISPOSER	1		1/2	2"			2		208	3	CONTROL PANEL	
K-16	CUTTER	1											
K-17	UTILITY CART	1						1		208	3	CORD & PLUG	
K-18	DISPOSER	1											
K-19	PAN SINK	1	(2) 3/4	(2) 3/4	2" GR.			2		208	3	CONTROL PANEL	
K-20	CLEAN PAN & DISH TABLE	1											
K-21	BOOSTER	1	3/4"										
K-22	DISHWASHER	1	1/2"		FL. SK.	600		2	15	480	3	BRASH 20" W. TO FINAL END OF K-22	
K-23	DISPOSER	1	1/2"	(2) 1/2	2"			2		208	3	TWO ELEC. CONN.	
K-24	SOILED DISH TABLE	1	1/2"	(3) 1/2	1" FL. SK.								
K-25	FIRE EXTINGUISHING SYST.	1											
K-26	GLASS STORAGE CART	1								120	1	CONN. TO SHUNT TRIPS IN PANEL	
K-27	CUP STORAGE CART	1											
K-28	COOK'S TABLE	1	1/2"	1/2"	FL. SK.			1/3		120	1	OUTLET IN TABLE	
K-29	MIXER	1											
K-30	CLEAN PAN STORAGE	1						1/2		208	3	1/2" LOC. IN K-28	
K-31	BAKER'S TABLE	1								120	1	OUTLET IN TABLE	
K-32	HOOD	1							30	120	1	OUTLET IN TABLE	
K-33	OVEN	1								22.2	480	3	
K-34	COOLING RACK	1											
K-35	STEAMER	1		1/2"	1/2"			36		480	3	PIPE DRAIN TO TRENCH	
K-36	TRENCH	1											
K-37	KETTLE	1		1/2"	1/2"	FL. D.							
K-38	RANGE	1		1/2"	1/2"			5A		120	1	PIPE DRAIN TO TRENCH	
K-39	SERVICE CABINET	1								(2) 21	480	3	
K-40	FRYER	1								12	480	3	
K-41	FRYER	1								12	480	3	
K-42	SERVICE CABINET	1								12	480	3	
K-43	COOK'S TABLE	1	1/2"	1/2"	FL. SK.			(2) 1/3		120	1	OUTLETS IN TABLE	
K-44	WARMER	1											
K-45	BOWL CART	1											
K-46	SERVICE TABLE	1	1/2"		FUN. D.			18		120/208	3-4W	SEE K-46 ELEC. DIST. PANEL	
K-47	TRAY CART	1											
K-48	TOASTER	1											
K-49	REFRIGERATOR	1											
K-50	SANITIZER	1	1/2"										
K-51	BEVERAGE COUNTER	1											
K-52	COFFEE URN	1	1/2"										
K-53	MILK DISPENSER	1						15		120/208	3-4W		
K-54	ICE MACHINE	1						1/3		120	1	CORD & PLUG	
K-55	INMATE TRAY CART	4	1/2"	1/2"				1/2		1.5	120	1	CORD & PLUG

CIR.	DESCRIPTION	HP	KV	V	Φ
1	REFRIGERATOR	1/2		120	1
2	TOASTER		3.0	208	1
3	FOOD WELL		1.66	120	1
4	FOOD WELL		1.66	120	1
5	FOOD WELL		1.66	120	1
6	INFRA-RED WARMER		.95	120	1
7	WARMING CABINET		1.3	208	1
8	OUTLET		1.5	120	1
9	SPARE				
10	SPARE				
11	SPARE				
12	SPARE				

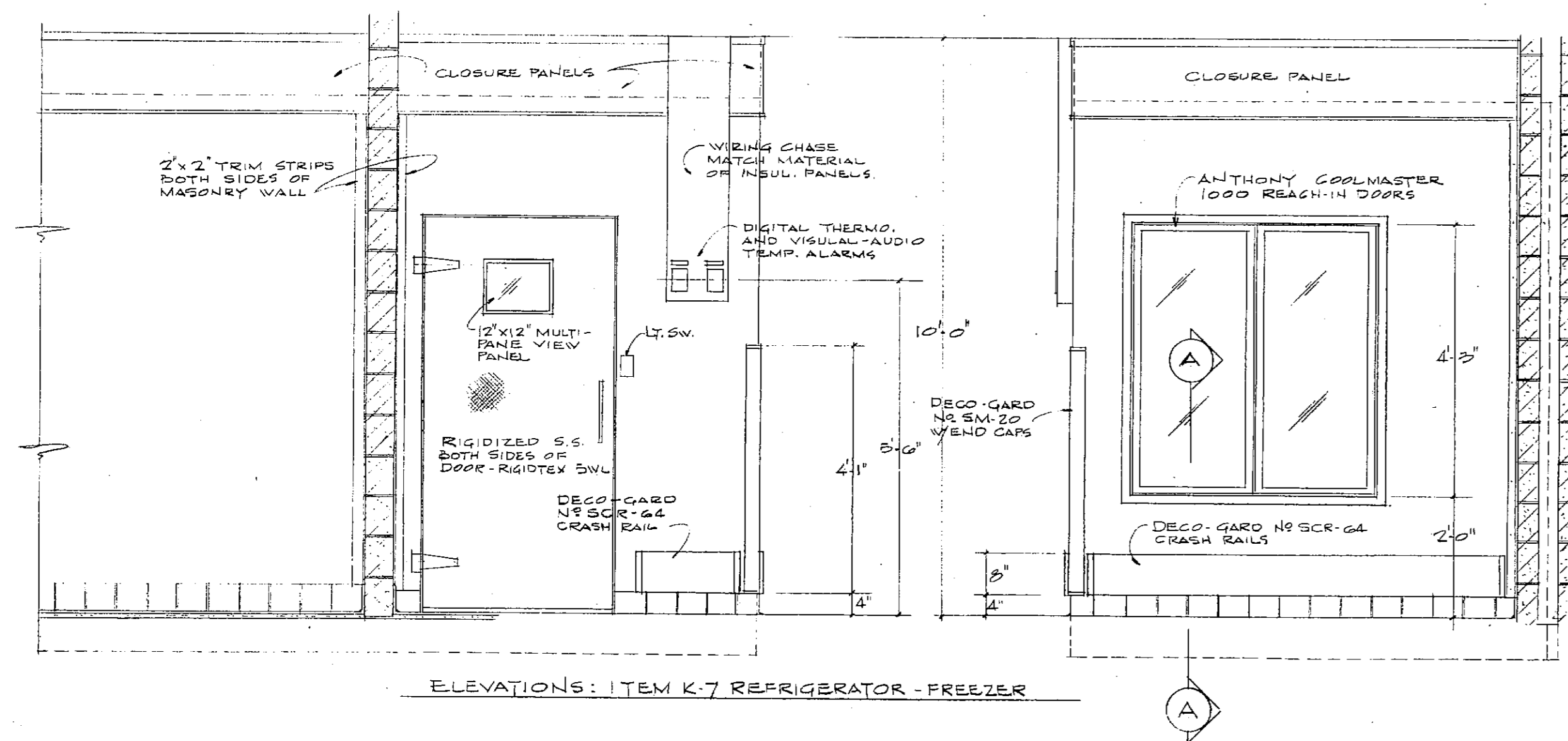


FRANKLIN COUNTY ADULT JAIL
UNION, MISSOURI

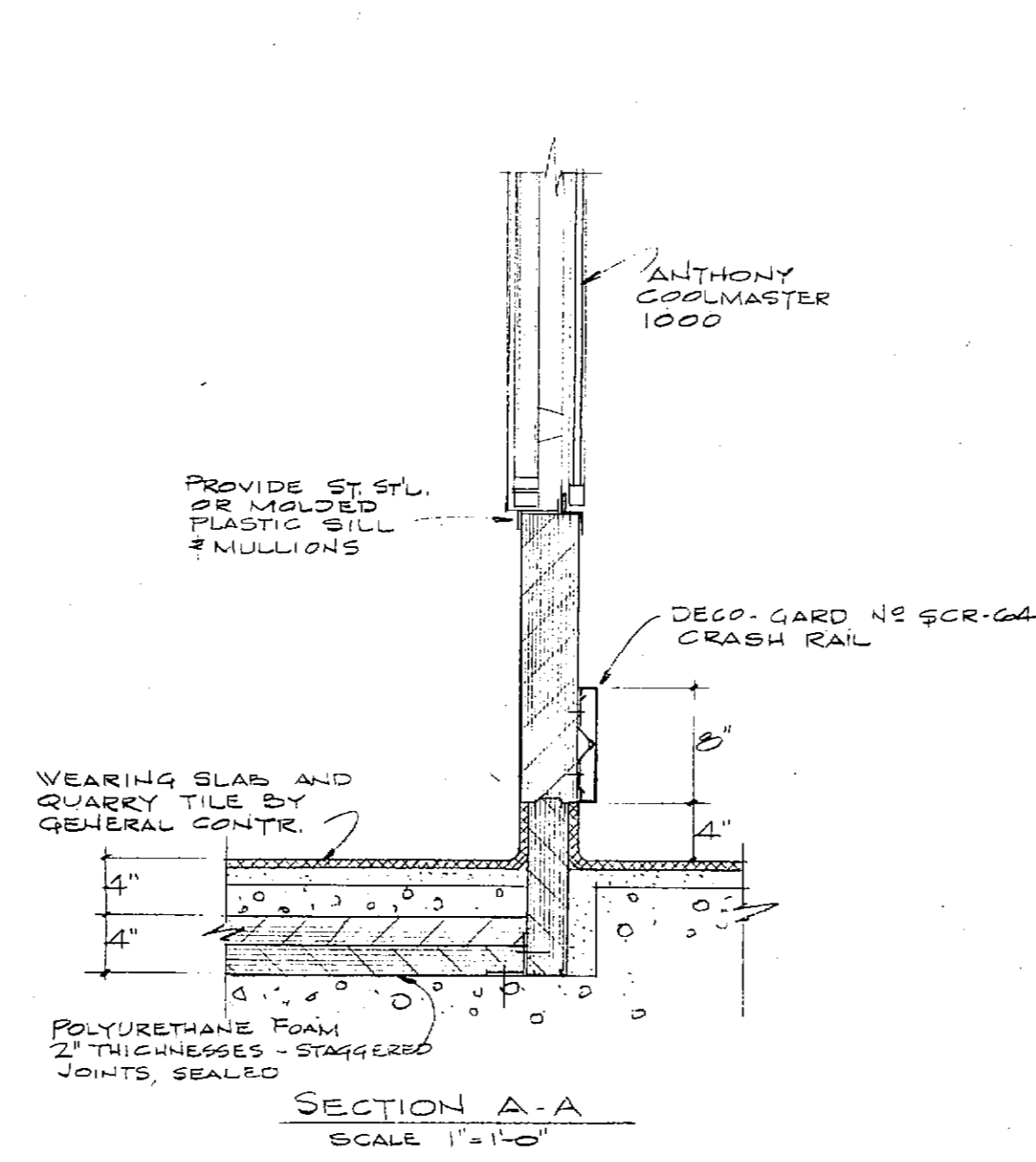
PEARCE CORPORATION
One Mercantile Center
Saint Louis, Missouri 63101

Siebold, Sydow & Efanbaum Inc.
Structural Engineers
Cotton/Lester/Wiestkorn Associates, Inc.
Mechanical & Electrical Engineers
Walker McGough Foltz Lyerla, P.S.
Security Consultants

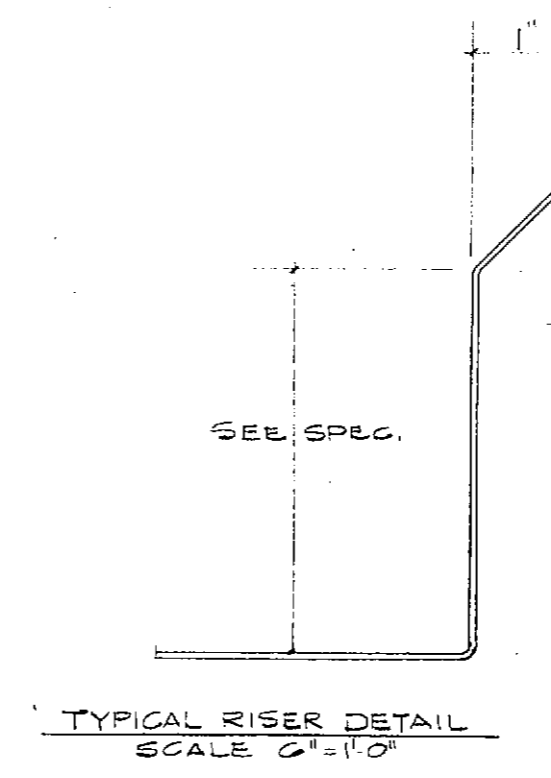
DRAWN BY	STOCK ASSOC.
CHECKED BY	
REVISED	
PROJ. NO.	84-07.1.00
DATE	
DRAWING NO.	



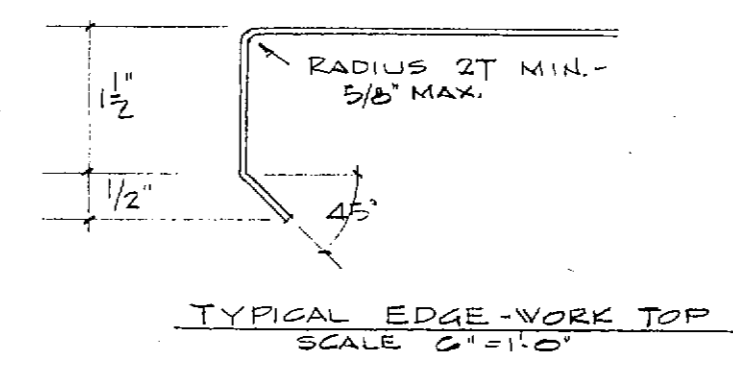
ELEVATIONS: ITEM K-7 REFRIGERATOR - FREEZER



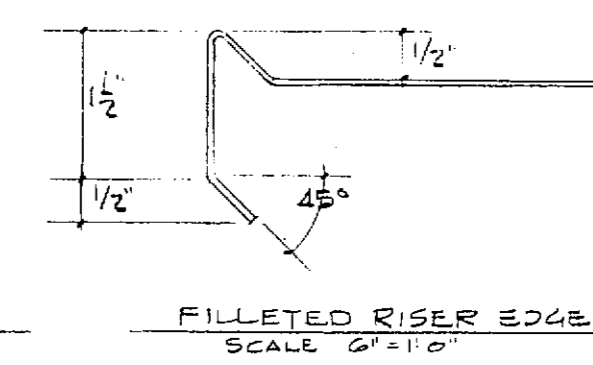
SECTION A-A
SCALE 1\"/>



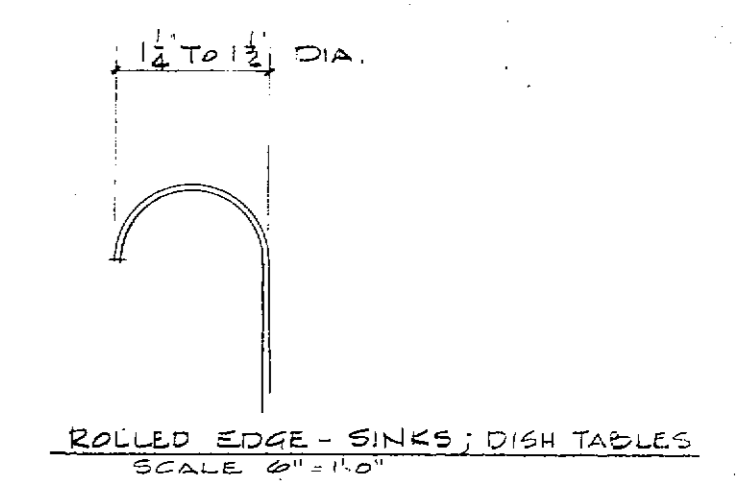
TYPICAL RISER DETAIL
SCALE 2\"/>



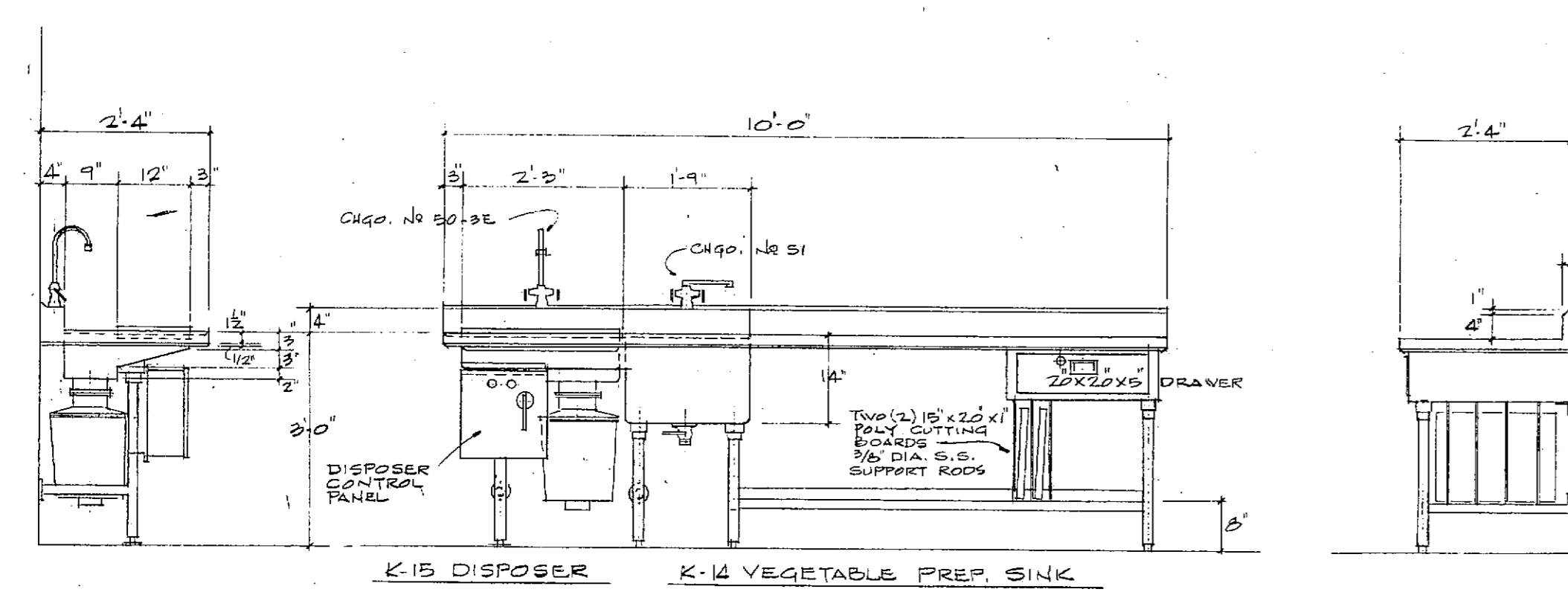
TYPICAL EDGE-WORK TOP
SCALE 2\"/>



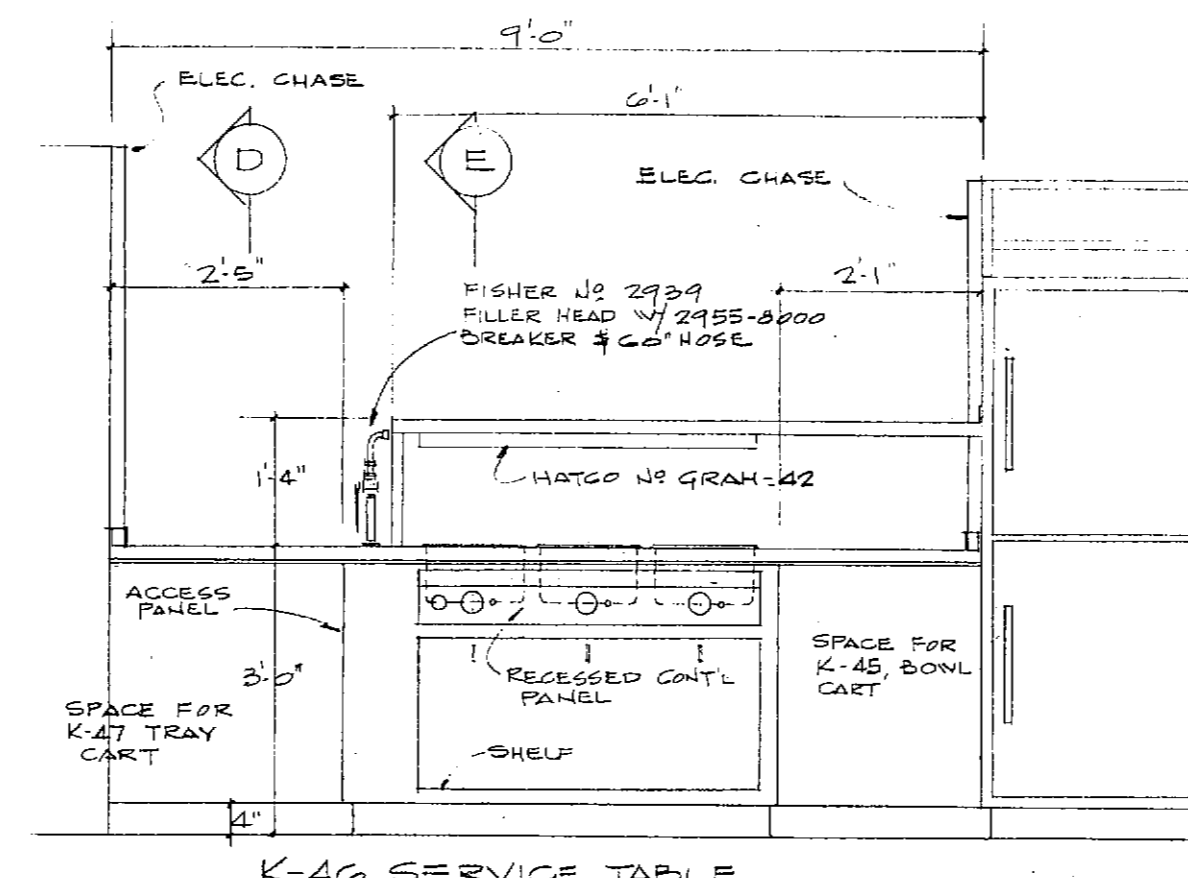
FILLETTED RISER EDGE
SCALE 2\"/>



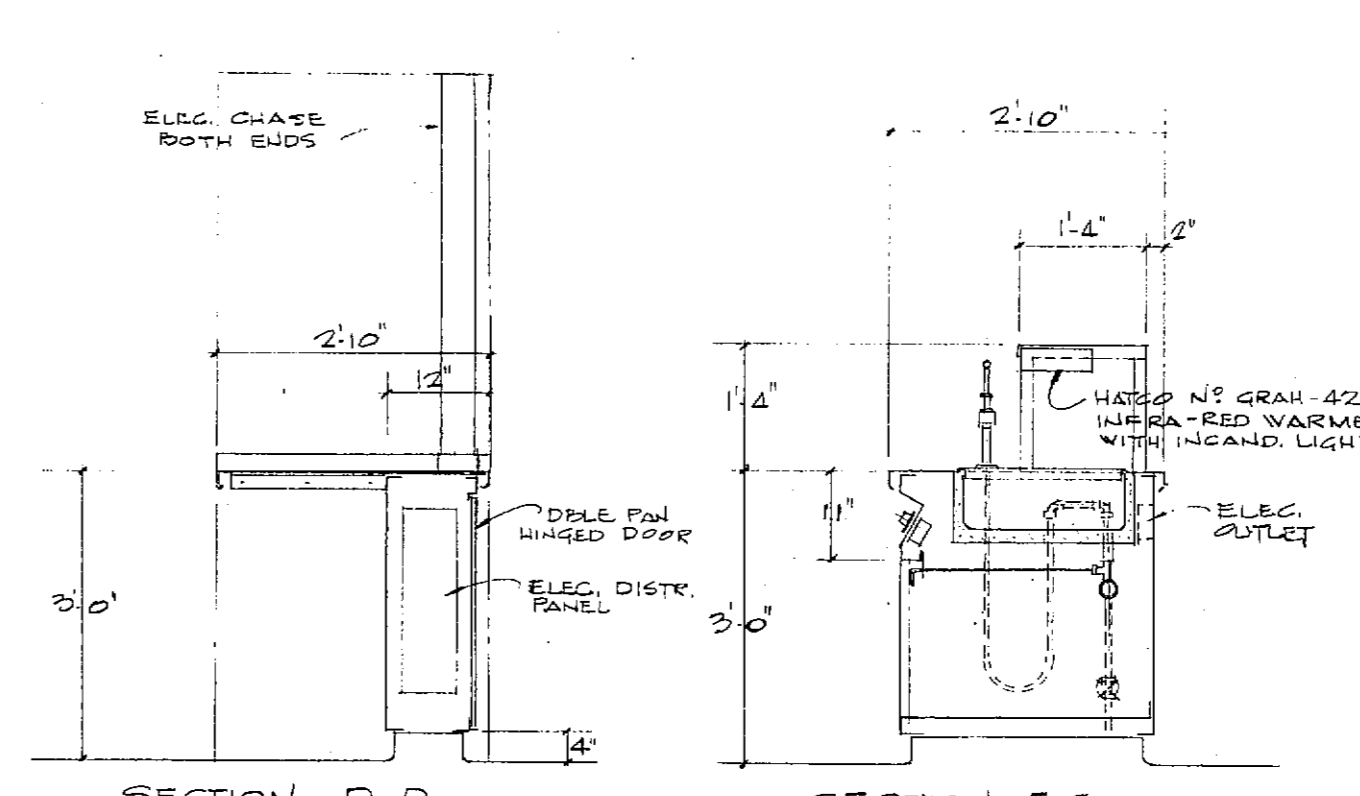
ROLLED EDGE - SINKS, DISH TABLES
SCALE 2\"/>



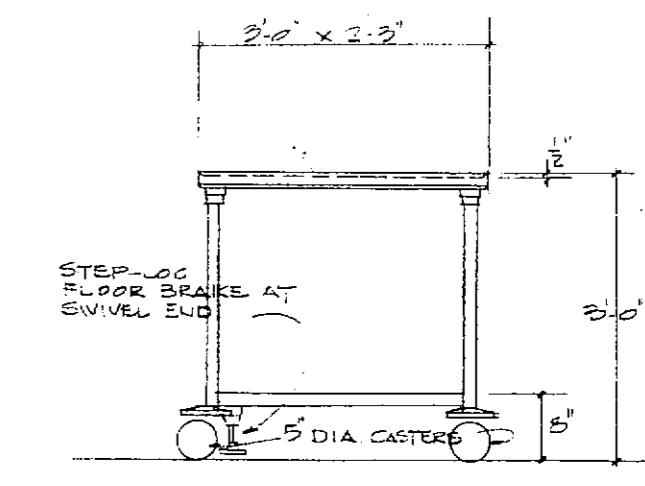
K-13 DISPOSER K-14 VEGETABLE PREP SINK



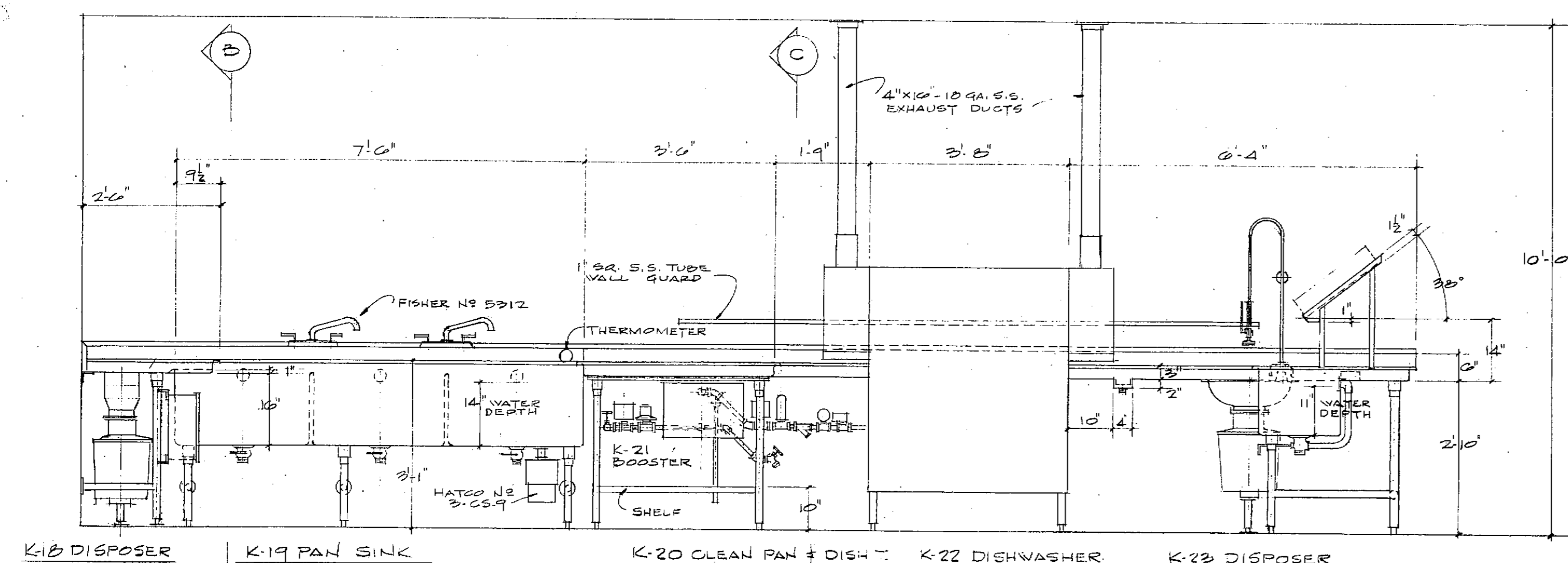
K-46 SERVICE TABLE



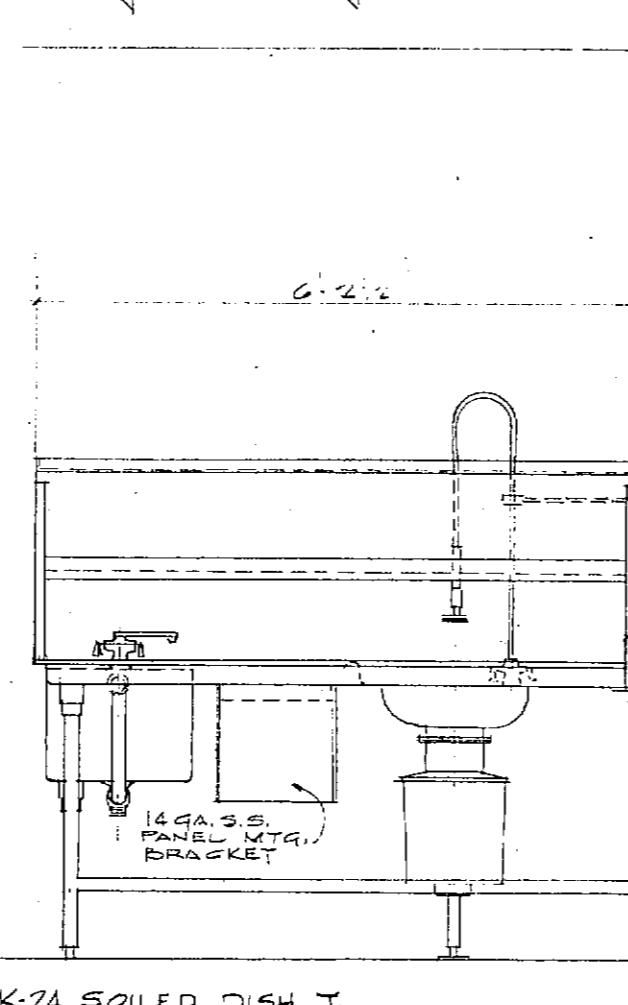
SECTION D-D SECTION E-E



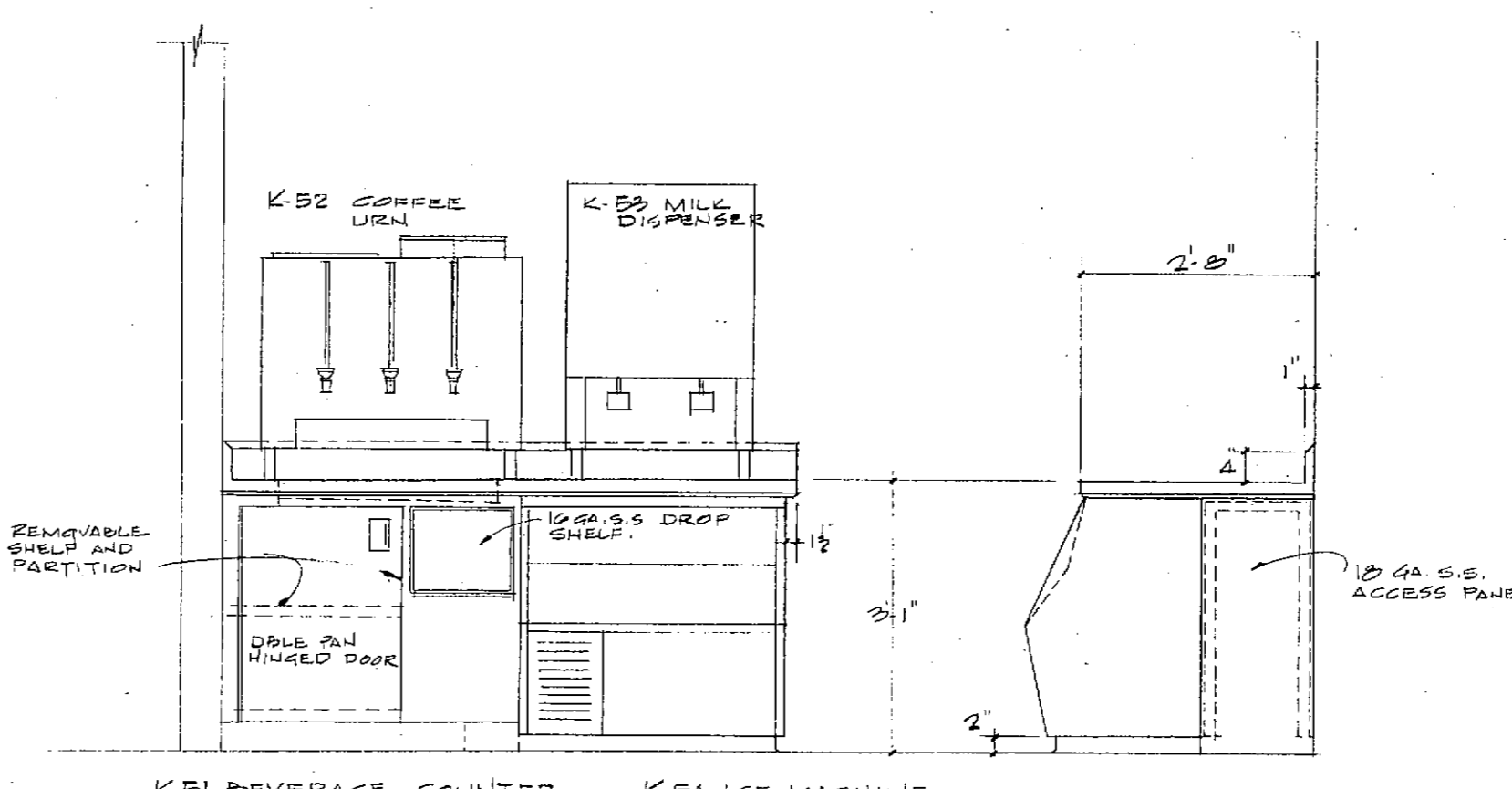
K-12 SUGAR STAND



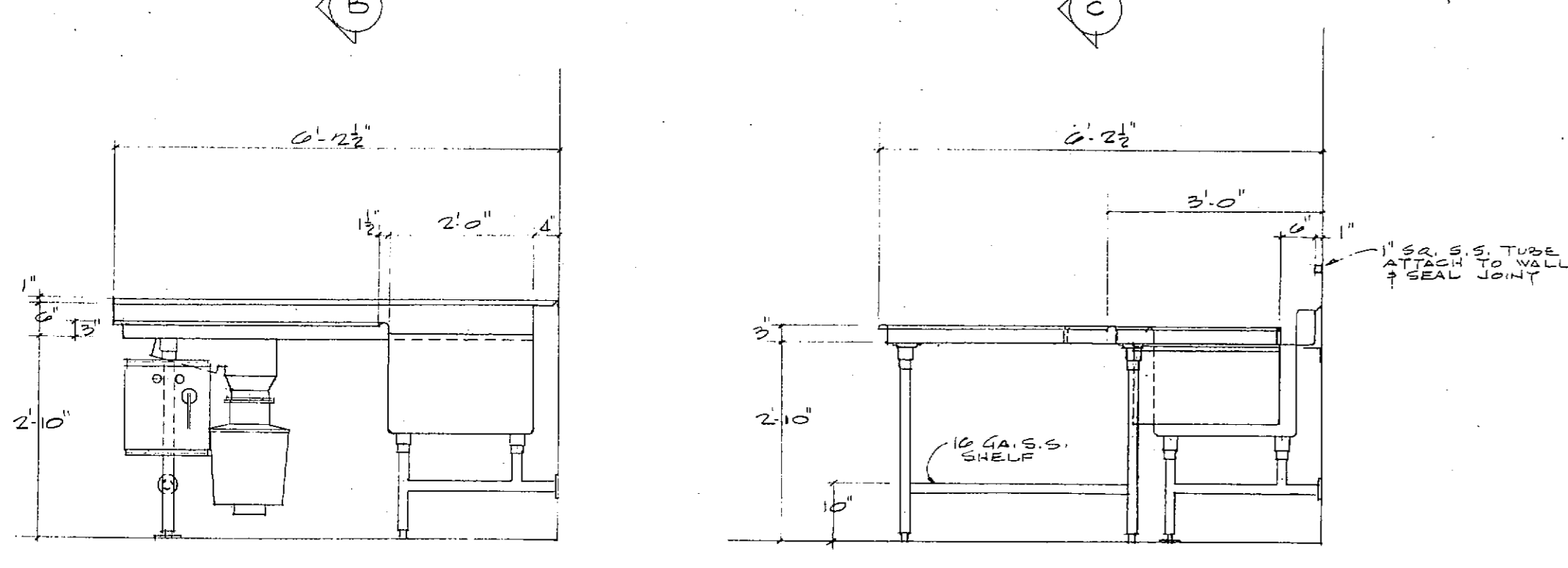
K-18 DISPOSER K-19 PAN SINK K-20 CLEAN PAN & DISH K-22 DISHWASHER K-24 SOILED DISH TABLE



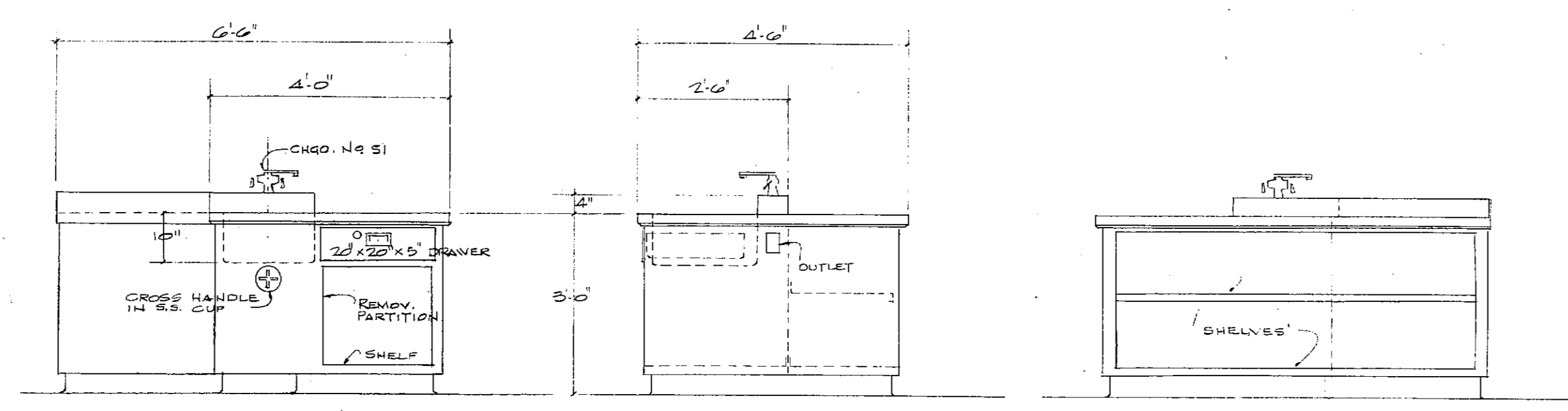
K-24 SOILED DISH TABLE K-23 DISPOSER



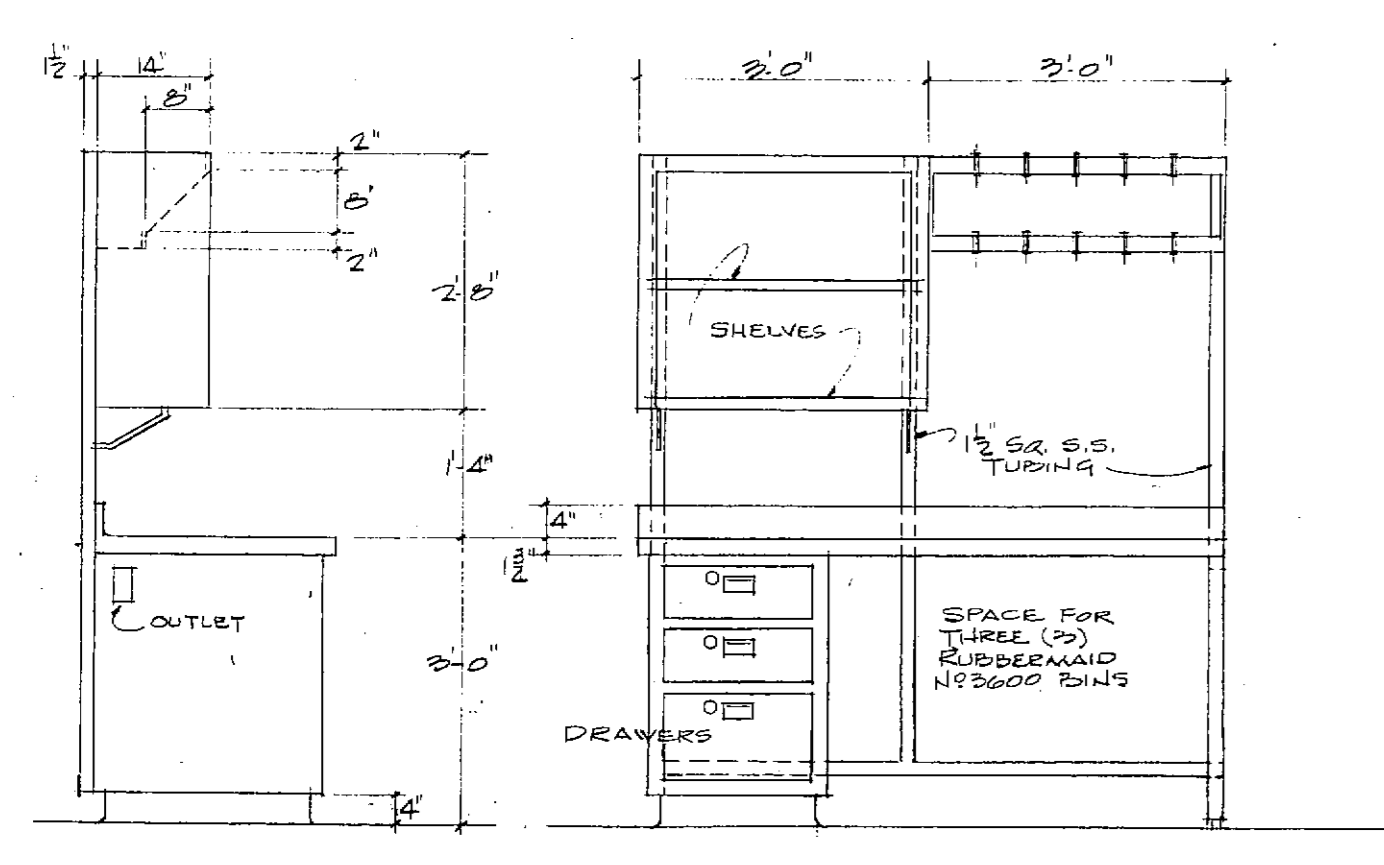
K-81 BEVERAGE COUNTER K-82 ICE MACHINE



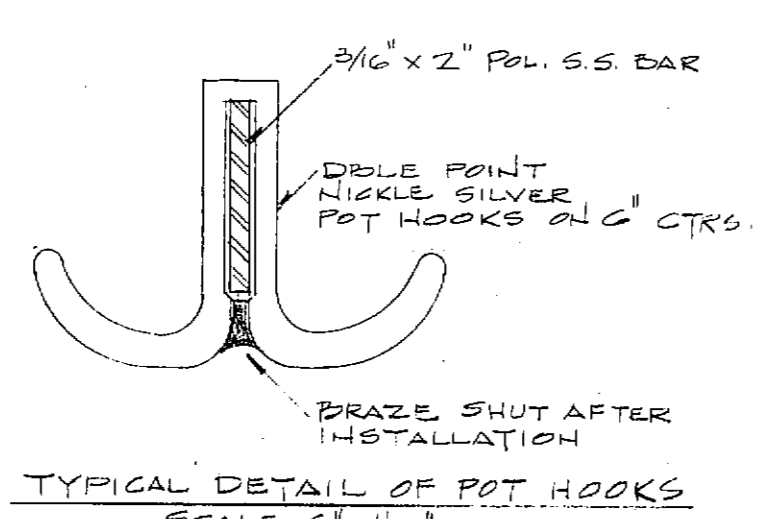
SECTION B-B SECTION C-C



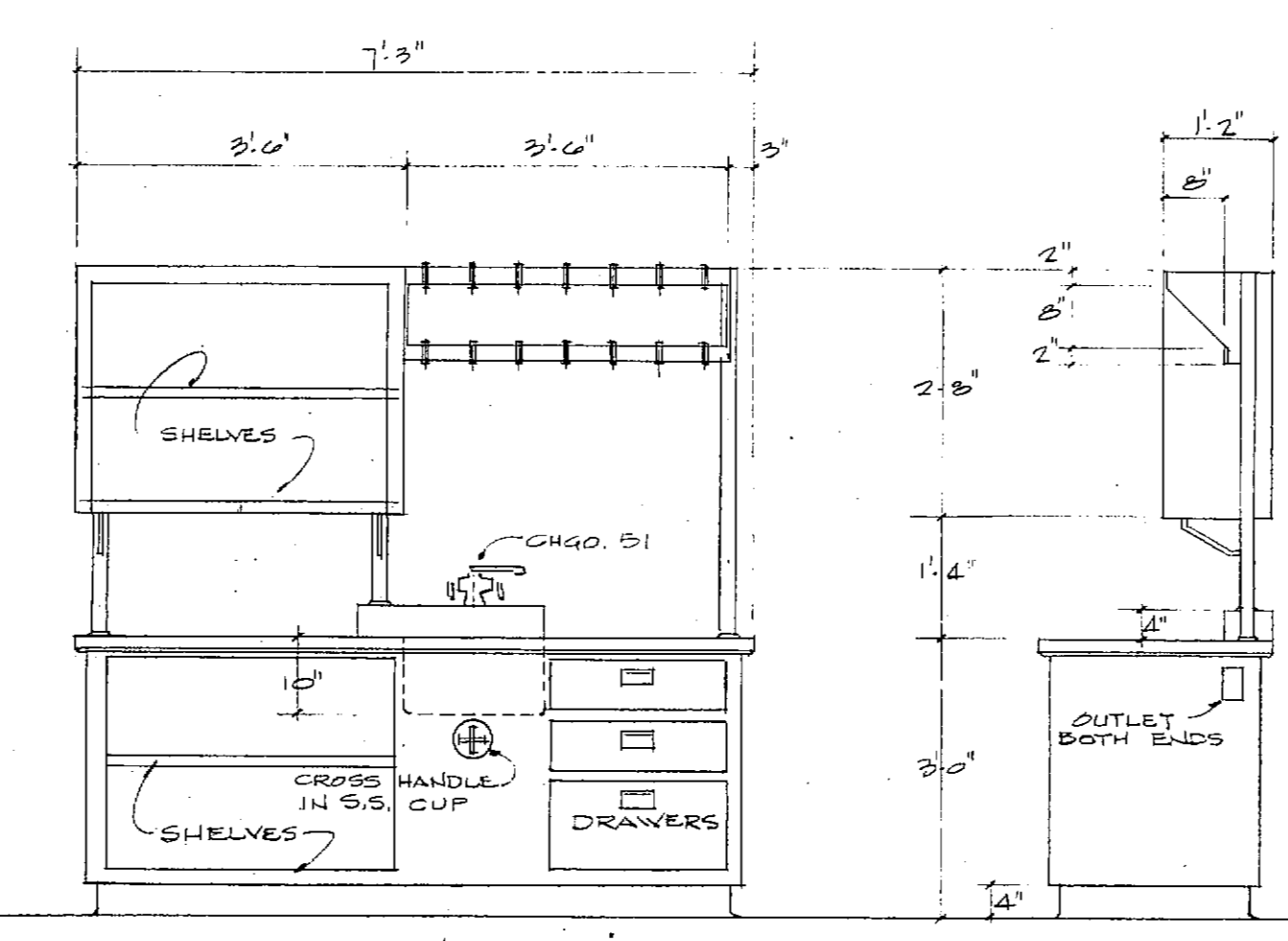
K-26 COOK'S TABLE



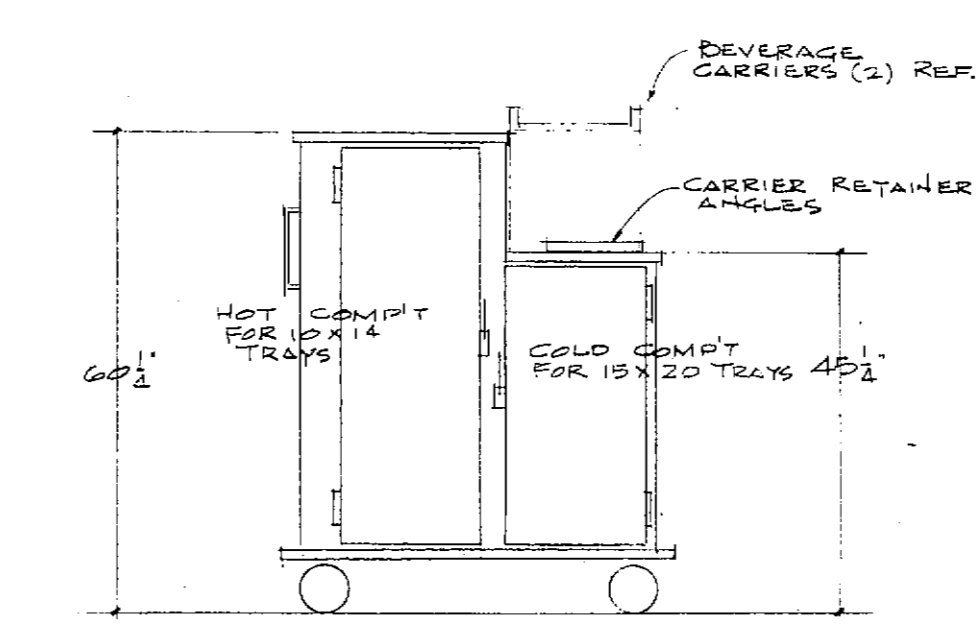
K-21 BAKER'S TABLE



TYPICAL DETAIL OF POT HOOKS
SCALE 2\"/>



K-43 COOK'S TABLE



K-55 INMATE TRAY CART

FRANKLIN COUNTY ADULT JAIL
UNION, MISSOURI

PEARCE CORPORATION
One Mercantile Center
State Linn, Missouri 63101

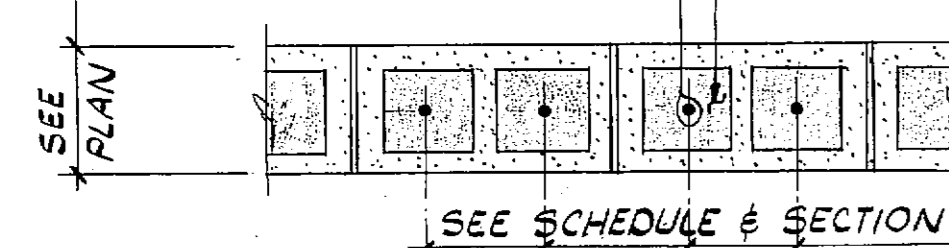
Siebold, Sydow & Eflanbaum Inc.
Structural Engineers
Colton/Lester/Niederhorn Associates, Inc.
Mechanical & Electrical Engineers
Walker McGough Foltz Lyster, P.S.
Security Consultants

DRAWN BY ETOCK ASSOC.	
CHECKED BY	
REVISED	
PROJ. NO. 84-07-1.00	
DATE	DRAWING NO.

MAS. WALL REINF. SCHEDULE			
WALL DESIGNATION	FTG. DWLS.	VERT. WALL REINF.	REMARKS
	#3 @ 32" @ 3'-0"		
	#3 @ 32" @ 3'-0"		
	#3 @ 8" @ 3'-0"	#3 @ 8", FULL HT.	

NOTE: ALL PARTITIONS ARE 7/8" MAS. UNITS UNLESS NTD. ON PLAN.

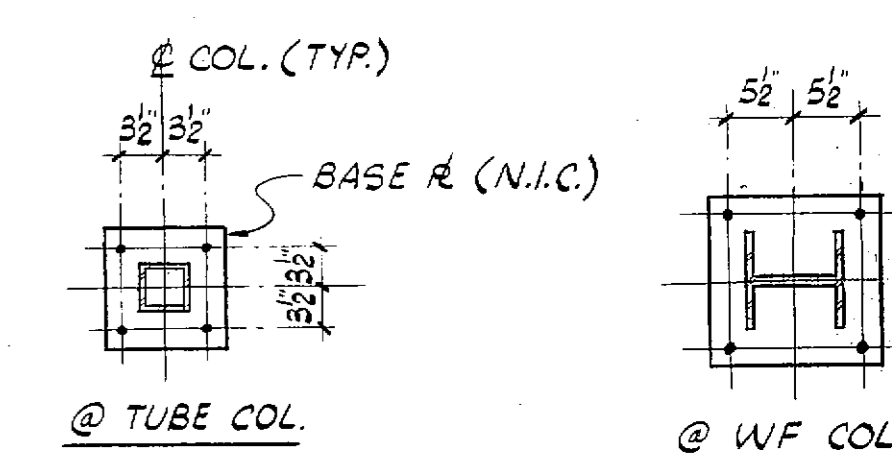
FILL CORE W/ GROUT (SEE SPECS) REINF. LAP 2'0" @ SPLICES



TYP. MASONRY REINF. DETAIL

FOOTING SCHEDULE

MARK	SIZE	REINFORCING: 1/2 EACH WAY
F1	2'6" x 2'6" x 1'-0"	C.#4
F2	3'0" x 3'0" x 1'-0"	B.#4
F3	3'6" x 3'6" x 1'-0"	10.#4
F4	4'0" x 4'0" x 1'-0"	12.#4
F5	5'0" x 5'0" x 1'-0"	10.#3
F6	6'0" x 6'0" x 1'-4"	16.#5
F7	2'8" x 3'4" x 1'-0"	5.#4 L.W. C.#4 S.W.



TYP. ANCHOR BOLT LAYOUT
NOTE: 4-#4 A. BOLTS W/ MIN. 9" EMBED.
+ 4" STD. HK. (TYP. ALL COLS.)

These drawings are the property of Siebold, Sydow and Eitanbaum, Inc. They are furnished as contract documents only and are not to be duplicated, in full or in part, for any other purpose without our specific approval.

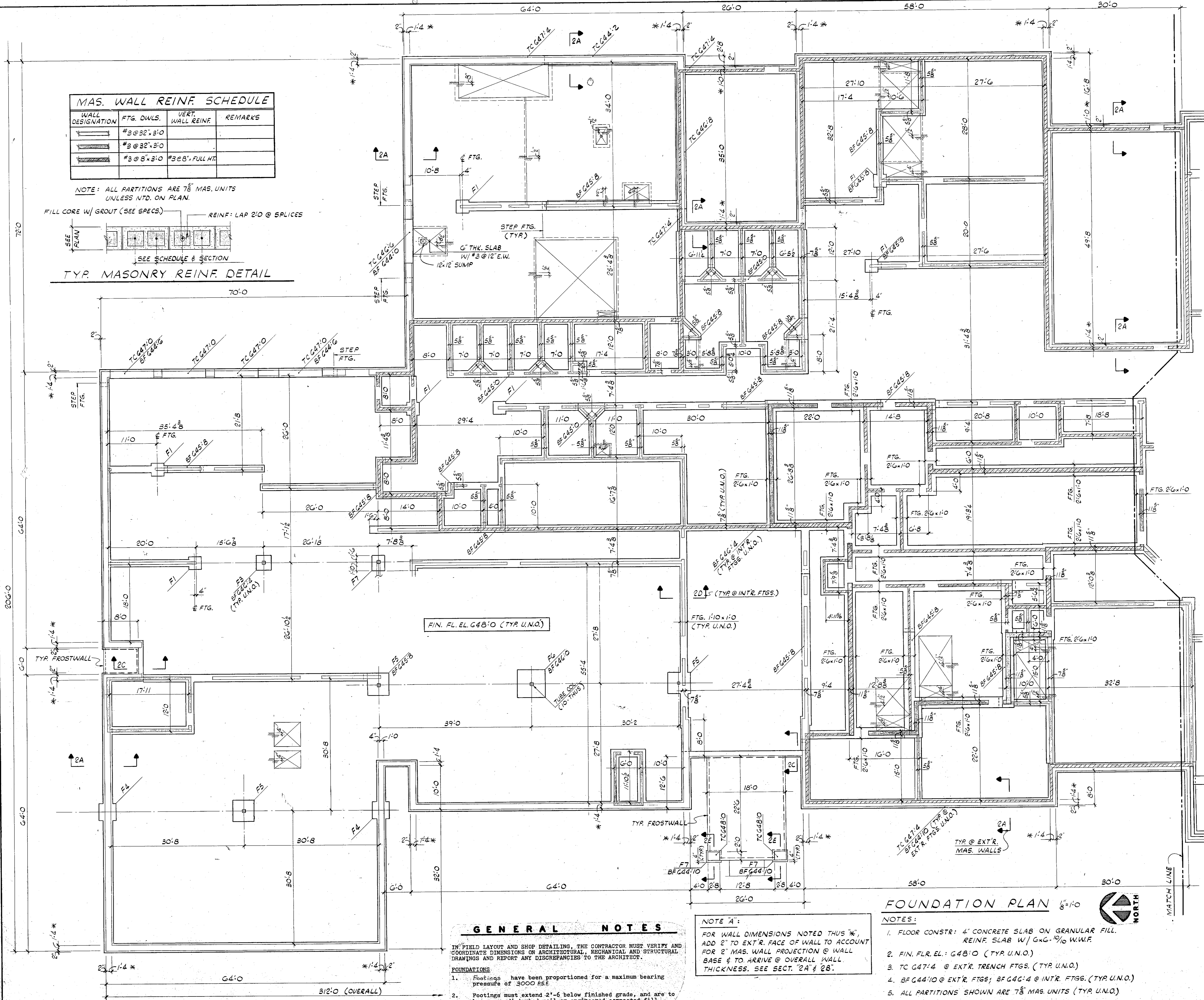
ABBREVIATIONS			
TC	TOP OF CONC.	CP	COL. POCKET
TW	TOP OF WALL	TF	TOP OF FTG.
BS	BRICK SHELF	BF	BOT OF FTG.
CS	CONC. SHELF	BW	BOT OF WALL
BP	BM. POCKET	TP	TOP OF PIER

FRANKLIN COUNTY ADULT JAIL
UNION, MISSOURI

PEARCE CORPORATION
One Mercantile Center
Saint Louis, Missouri 63101

Siebold, Sydow & Eitanbaum Inc.
Structural Engineers
Cahoon/Laster/Wiederkorn Associates, Inc.
Mechanical & Electrical Engineers
Walker, McGough Foltz Lyster, P.S.
Security Consultants

	DRAWN BY LWP	
	CHECKED BY LWK	
	REVISED 3-22-85	
	PROJ. NO. 64-07.1.00	
DATE 1/5-85	DRAWING NO.	



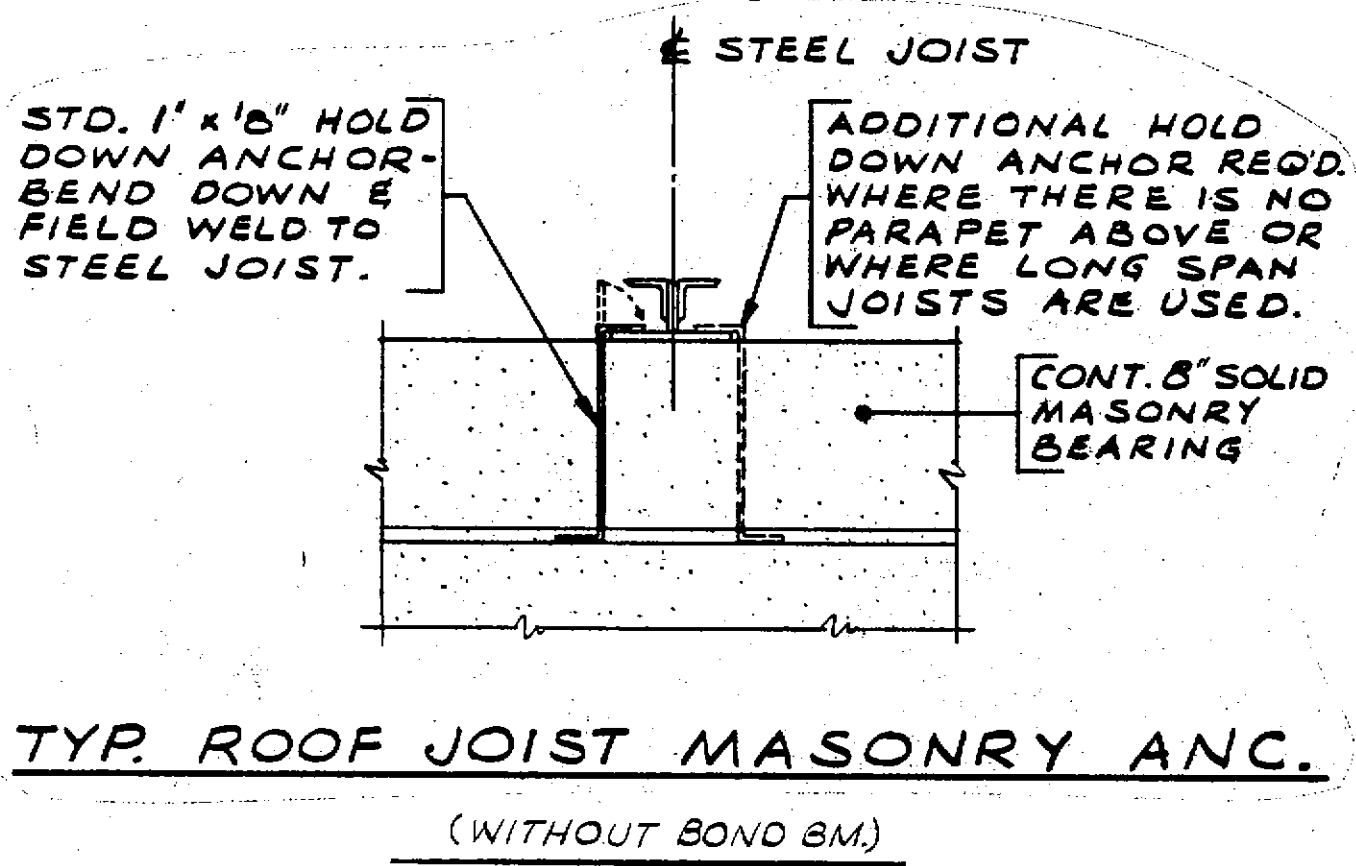
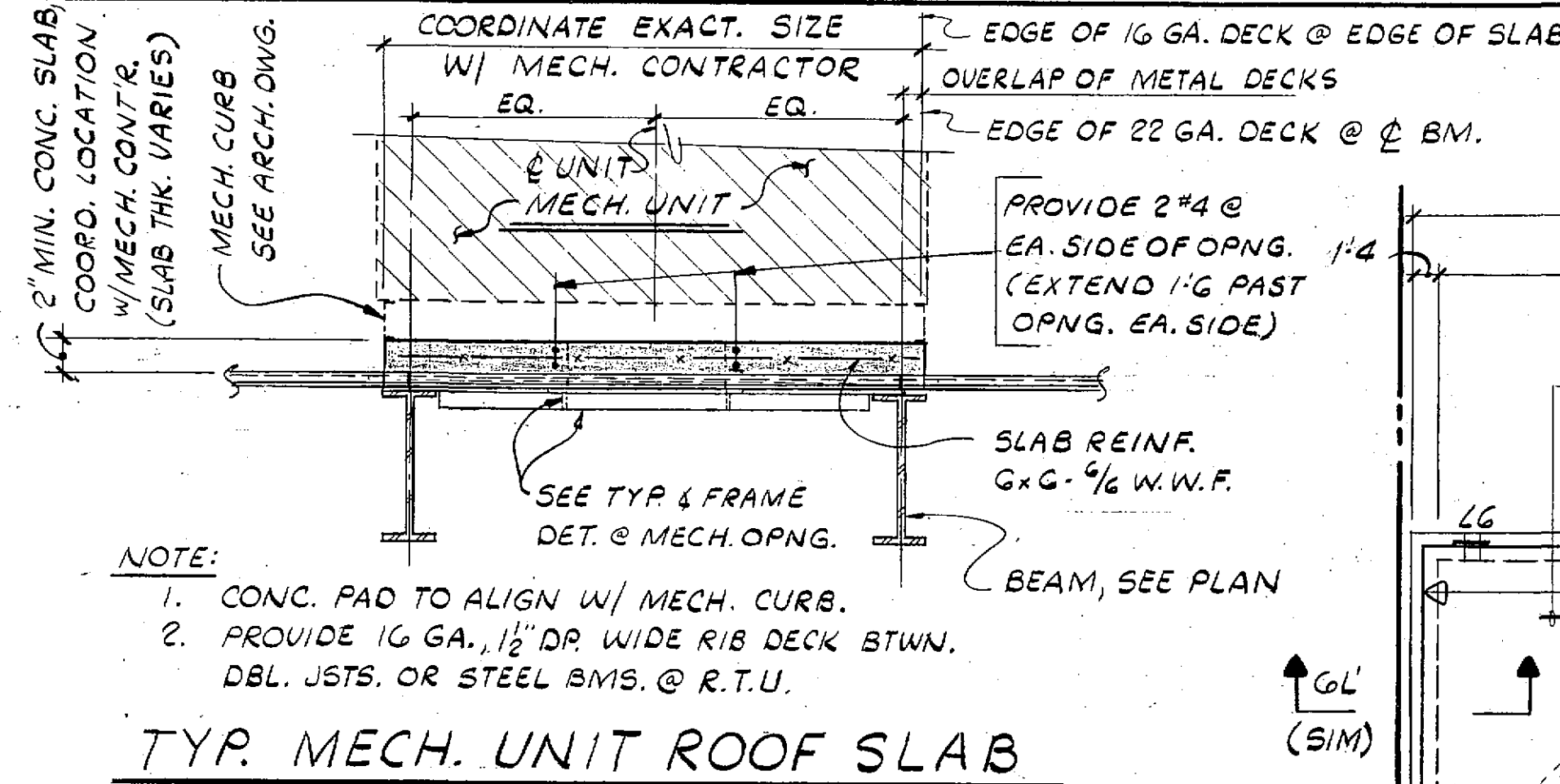
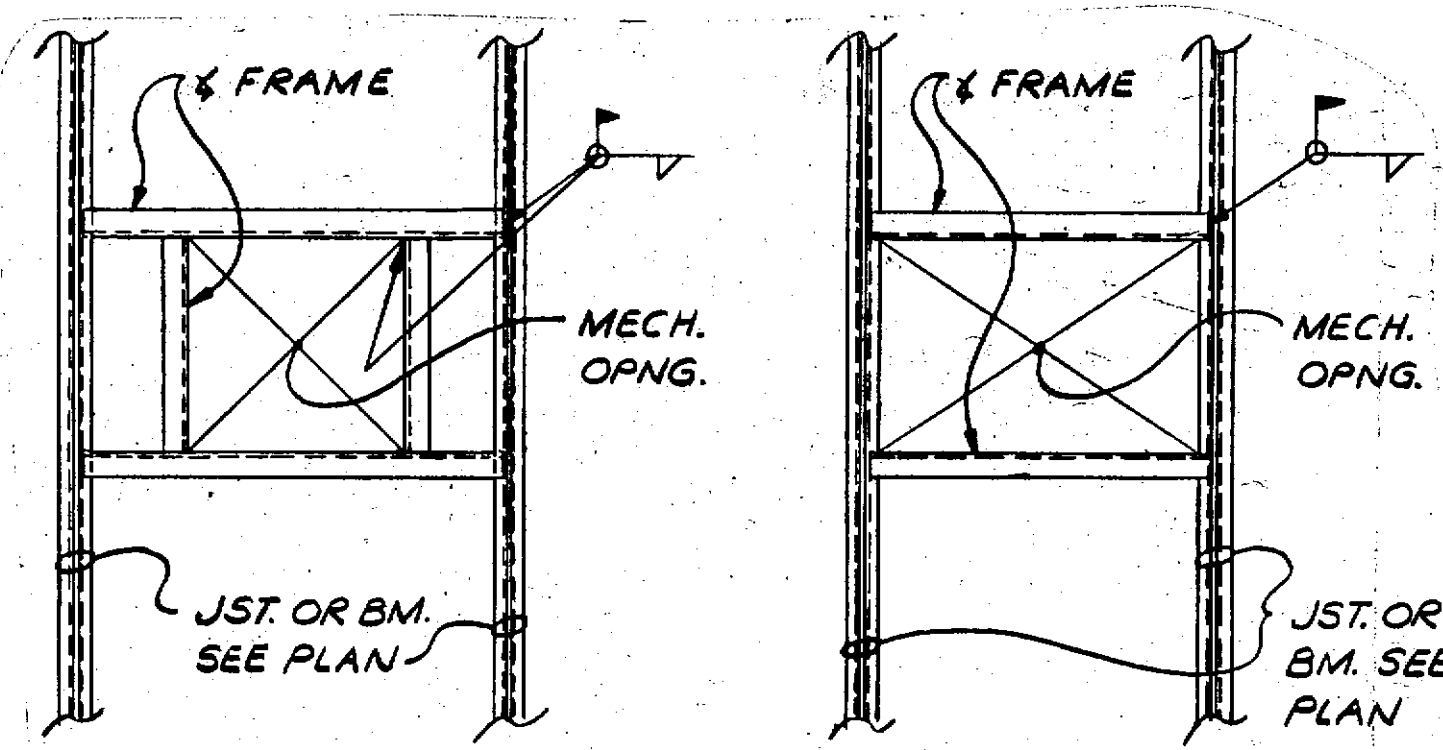
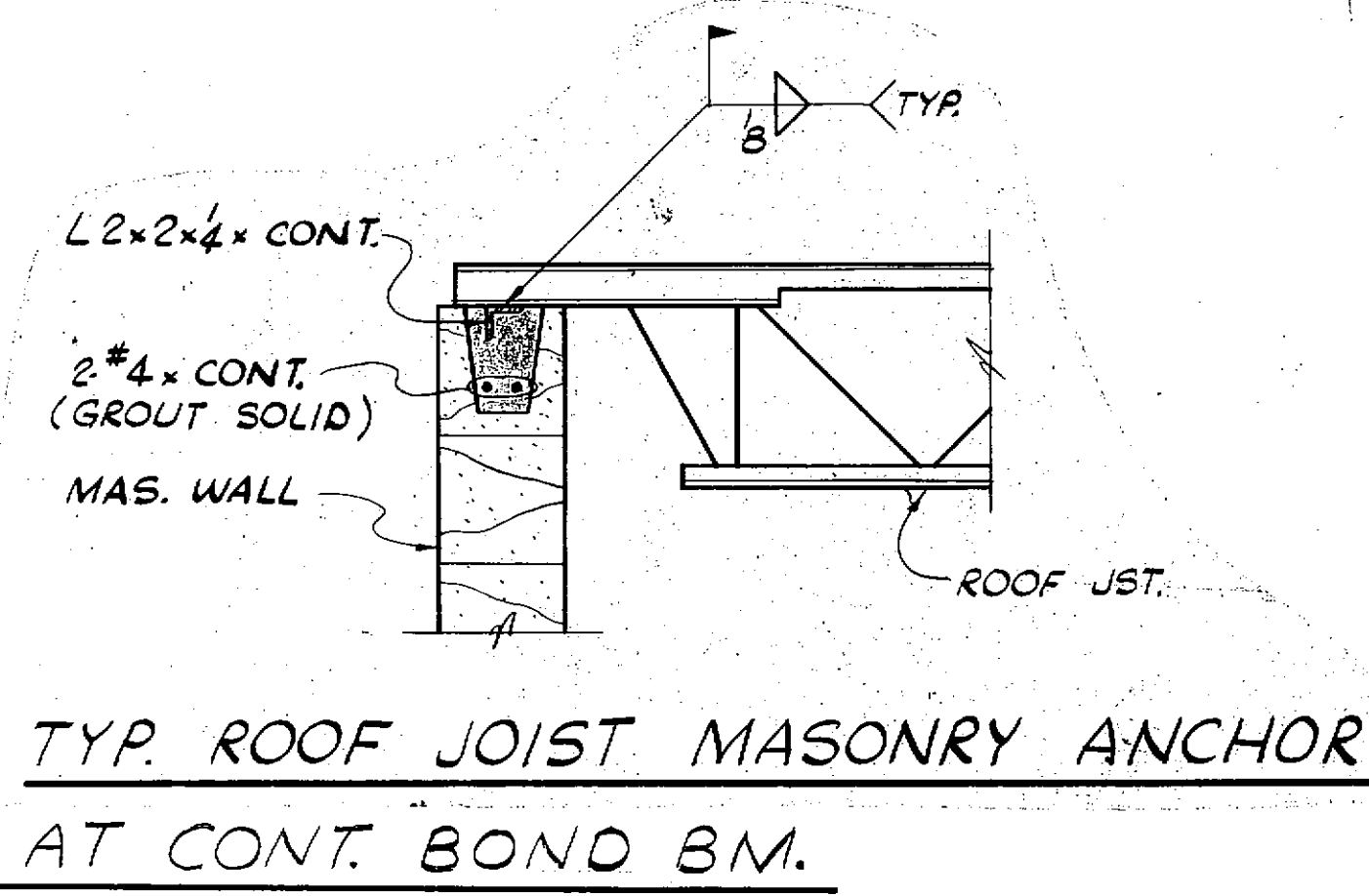
GENERAL NOTES

- IN FIELD LAYOUT AND SHOP DETAILING, THE CONTRACTOR MUST VERIFY AND COORDINATE DIMENSIONS ON ARCHITECTURAL, MECHANICAL AND STRUCTURAL DRAWINGS AND REPORT ANY DISCREPANCIES TO THE ARCHITECT.
- FOOTINGS
 - Footings have been proportioned for a maximum bearing pressure of 3000 PSF.
 - Footings must extend 2'-6" below finished grade, and are to bear on undisturbed soil or engineered compacted fill.

NOTE 'A':
FOR WALL DIMENSIONS NOTED THUS *; ADD 2" TO EXTR. FACE OF WALL TO ACCOUNT FOR 2" MAS. WALL PROJECTION @ WALL BASE & TO ARRIVE @ OVERALL WALL THICKNESS. SEE SECT. '2A' & '2B'.

FOUNDATION PLAN 1/8"=1'-0"

- NOTES:
- FLOOR CONSTR: 4" CONCRETE SLAB ON GRANULAR FILL. REINF. SLAB W/ G#6 @ 10" W.W.F.
 - FIN. FLR. EL.: 648'0" (TYP. U.N.O.)
 - TC G47'4" @ EXTR. TRENCH FTGS. (TYP. U.N.O.)
 - BF G44'10" @ EXTR. FTGS; BF G42'4" @ INTR. FTGS. (TYP. U.N.O.)
 - ALL PARTITIONS SHOWN ARE 7/8" MAS. UNITS (TYP. U.N.O.)



TYP. ANGLE FRAME AROUND MECH. OPENINGS IN FLOOR & ROOF

* NOTE: L4x4x5/8 ANGLE FRAME- COPE VERT LEG & FIELD WELD TO TOP OF JST OR BM. VERIFY SIZE & LOCATION OF OPNG. W/ MECH. CONTR.

BEARING R SCHEDULE

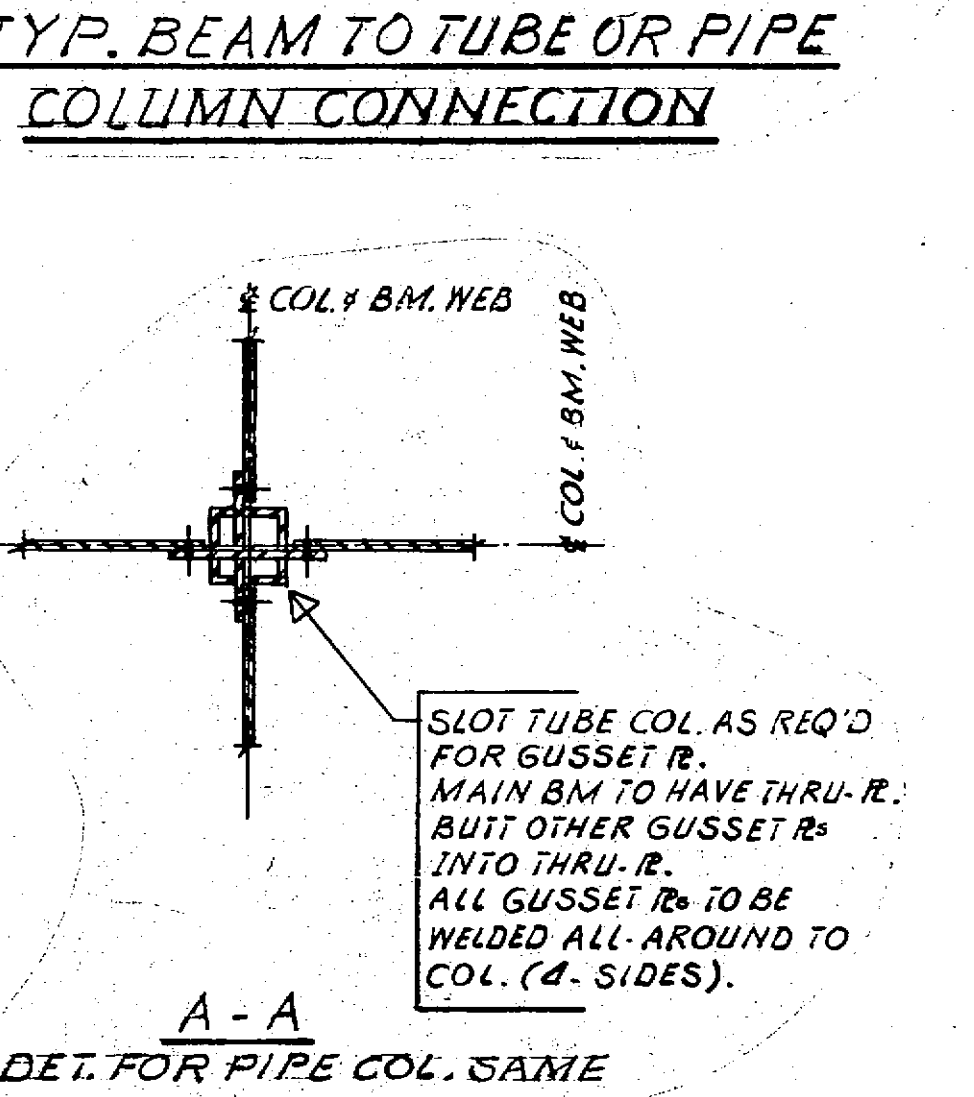
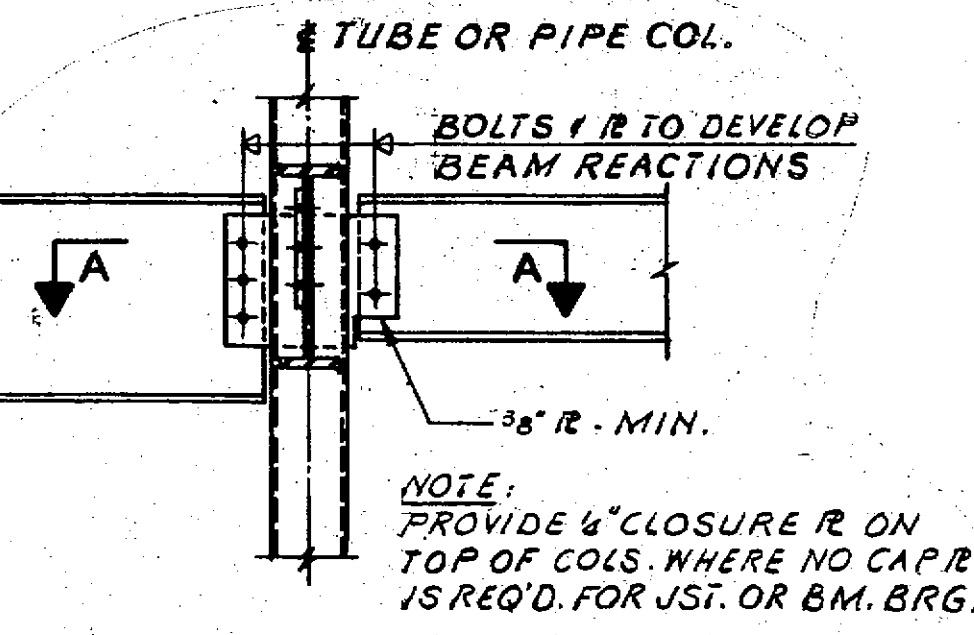
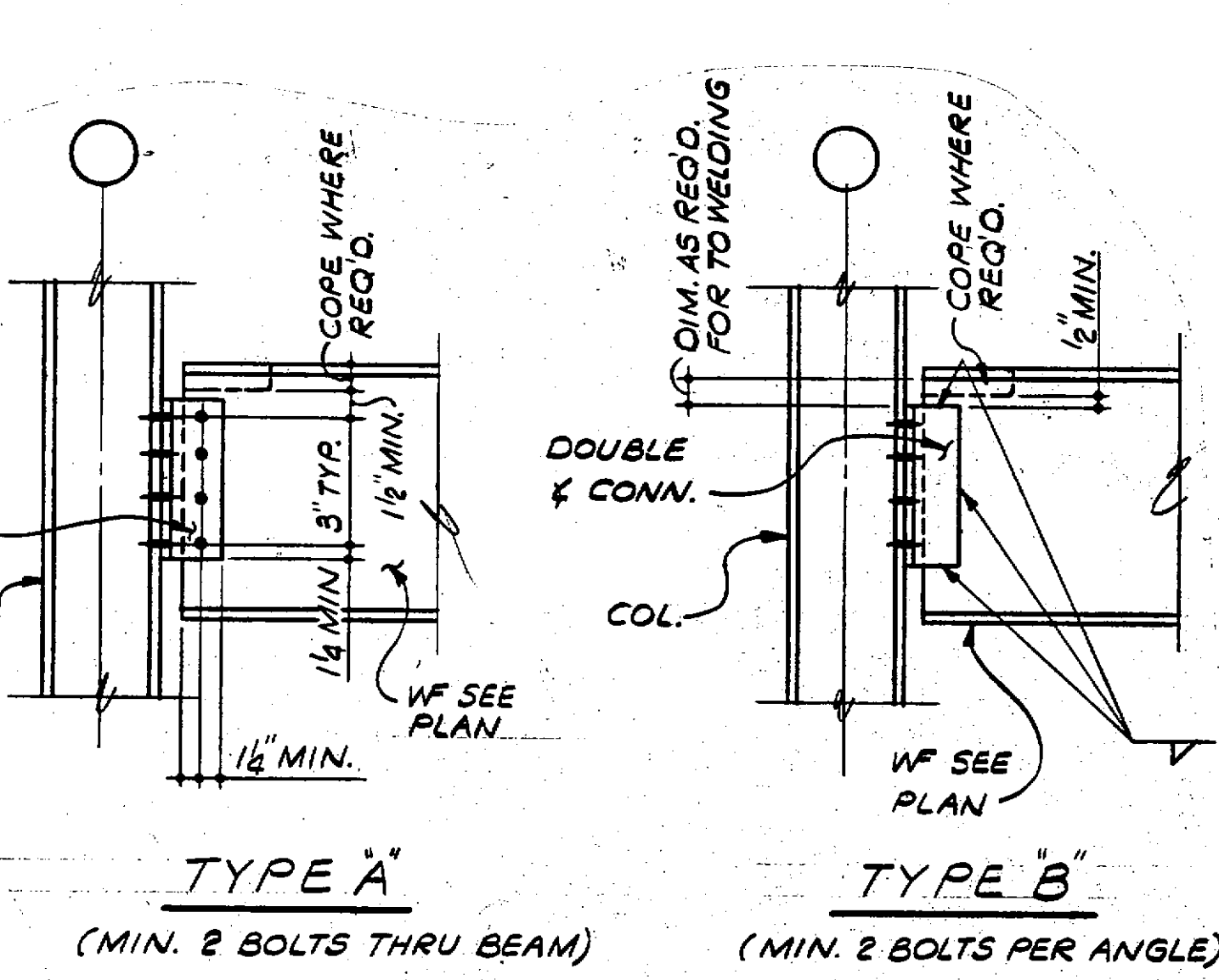
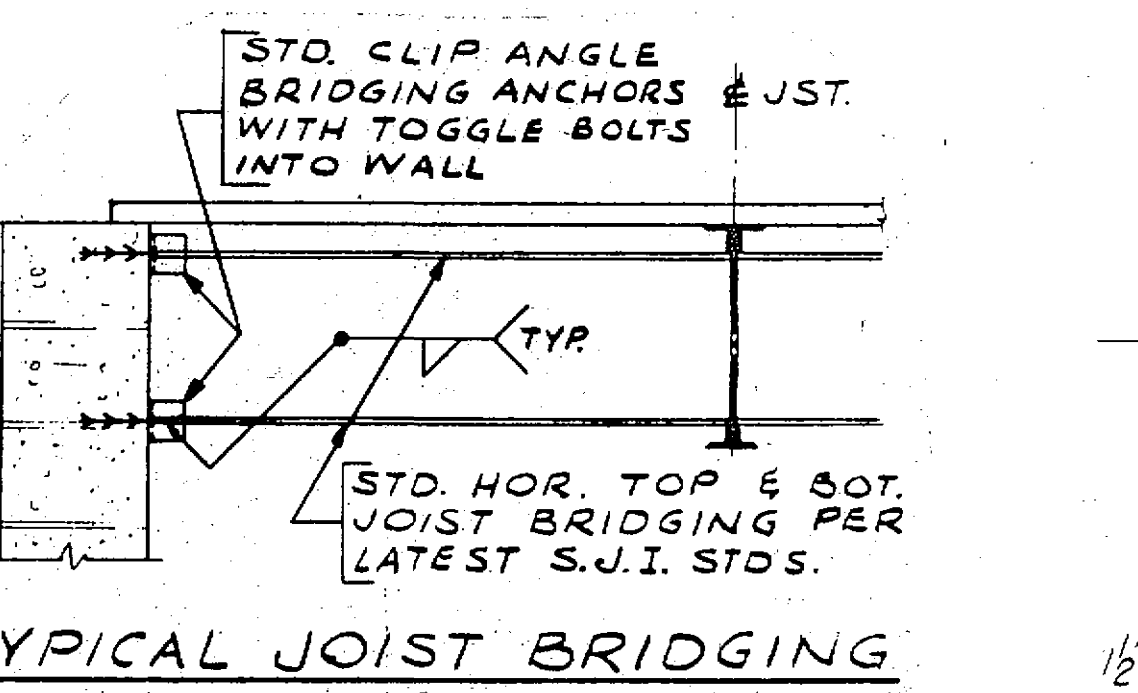
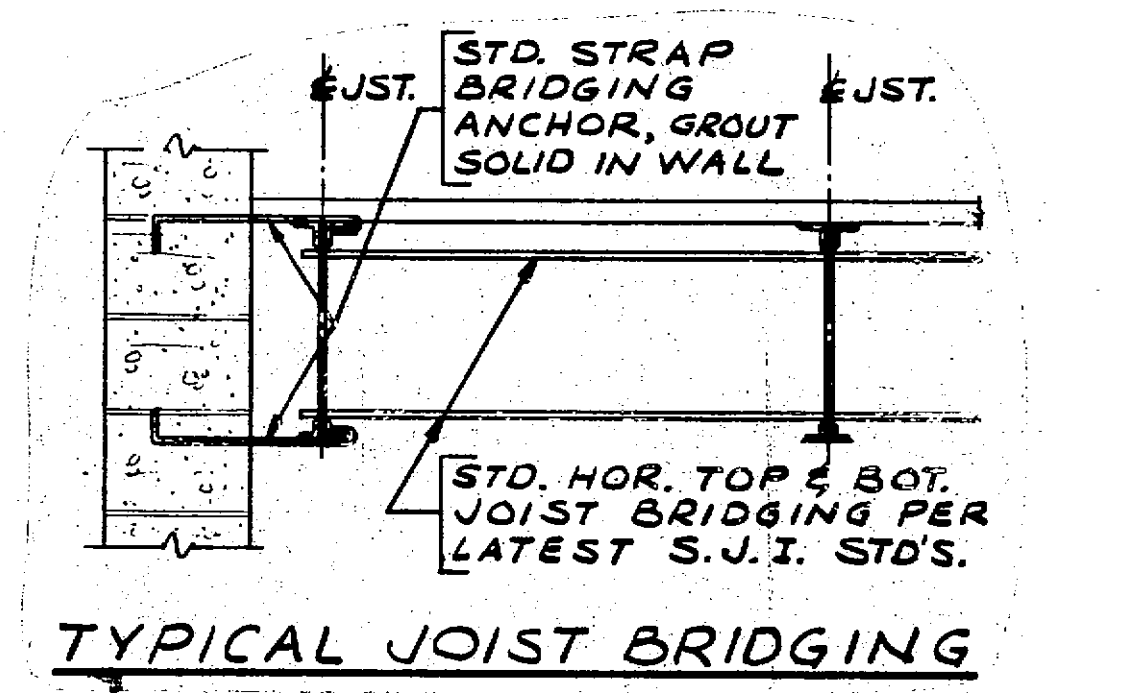
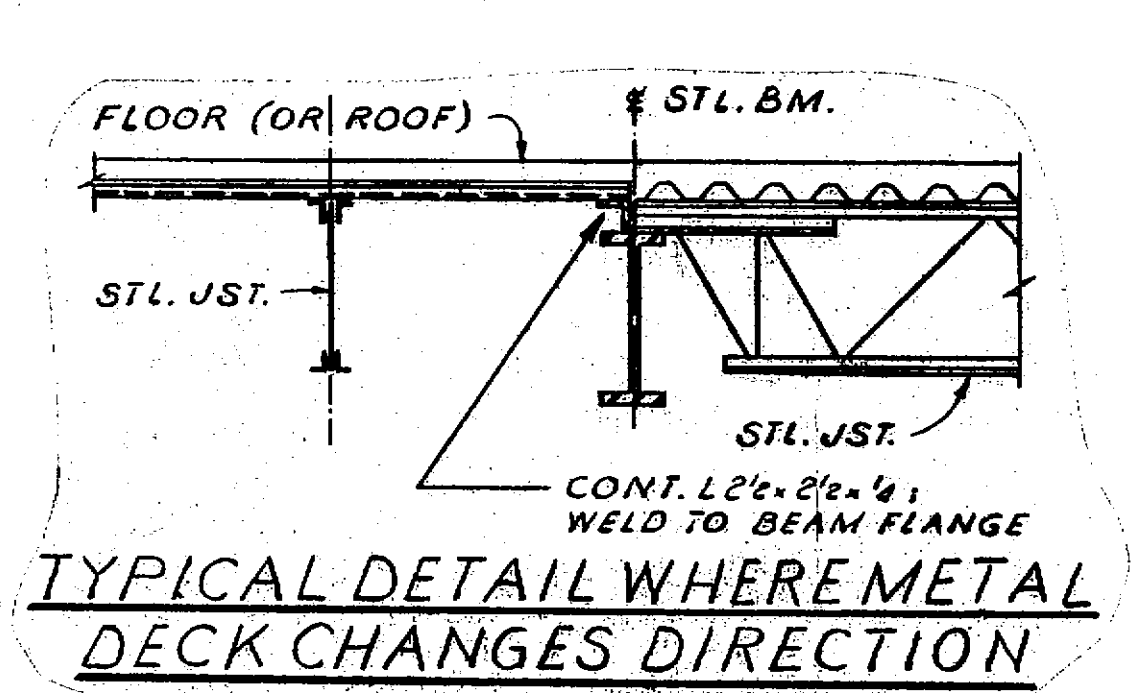
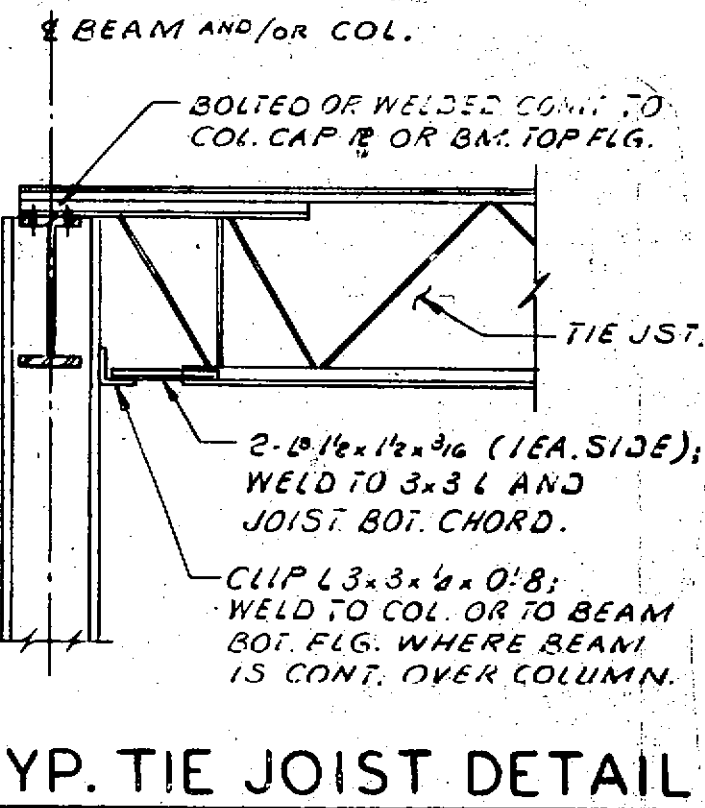
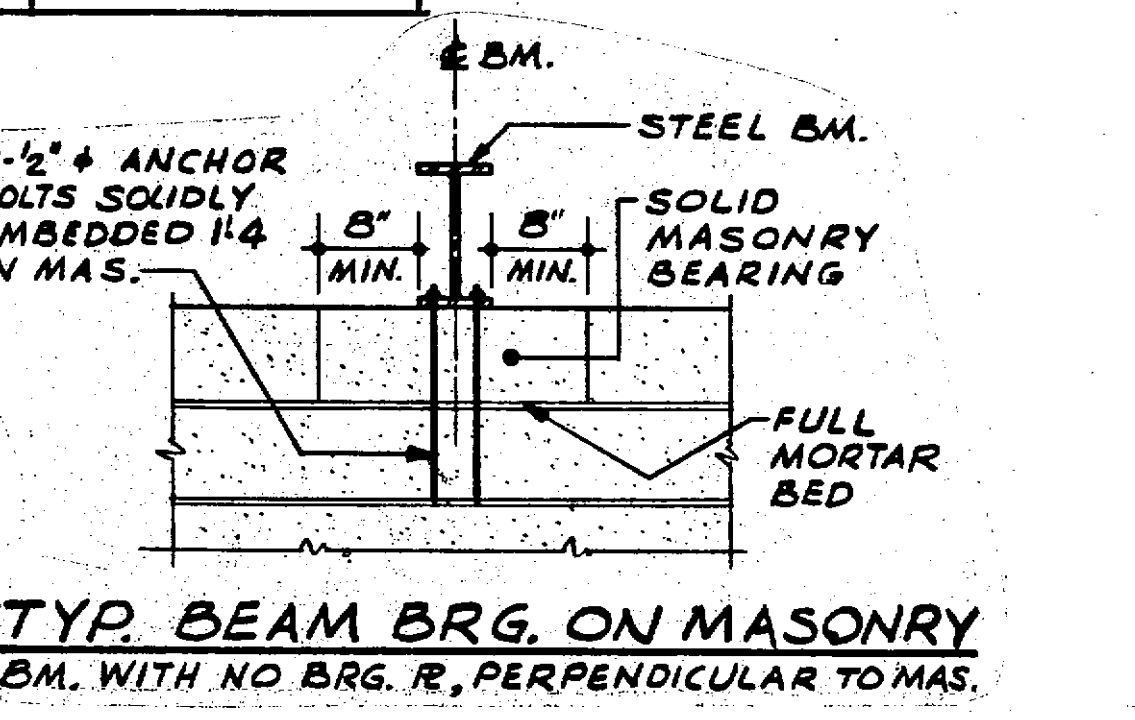
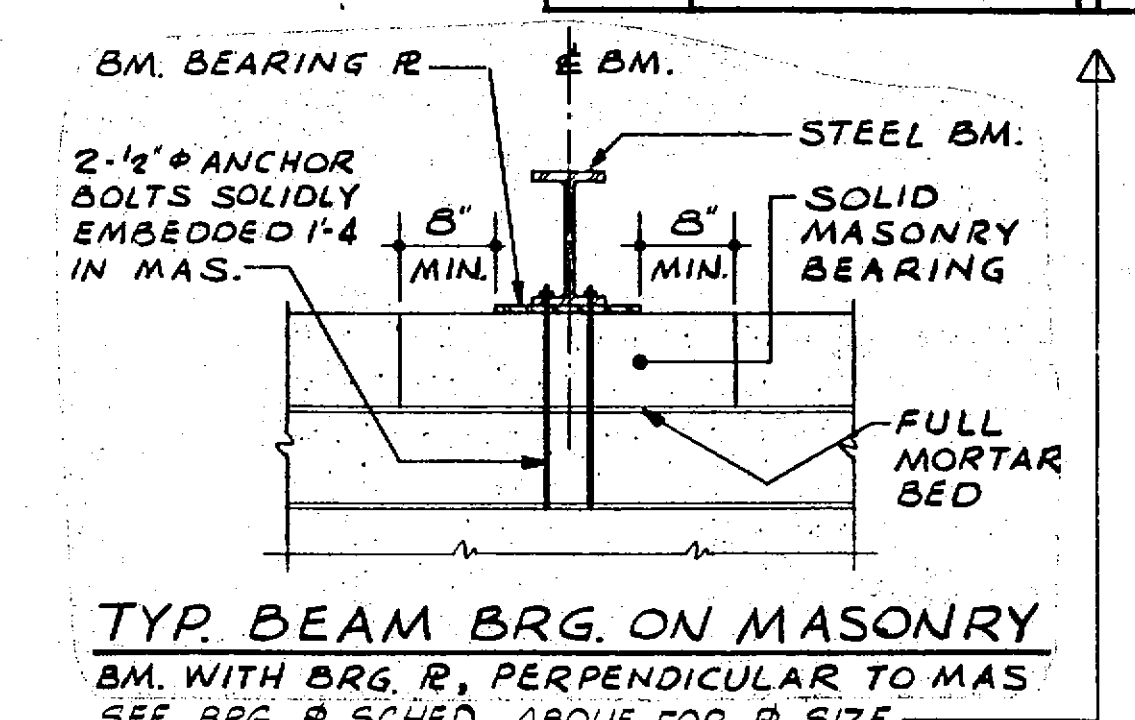
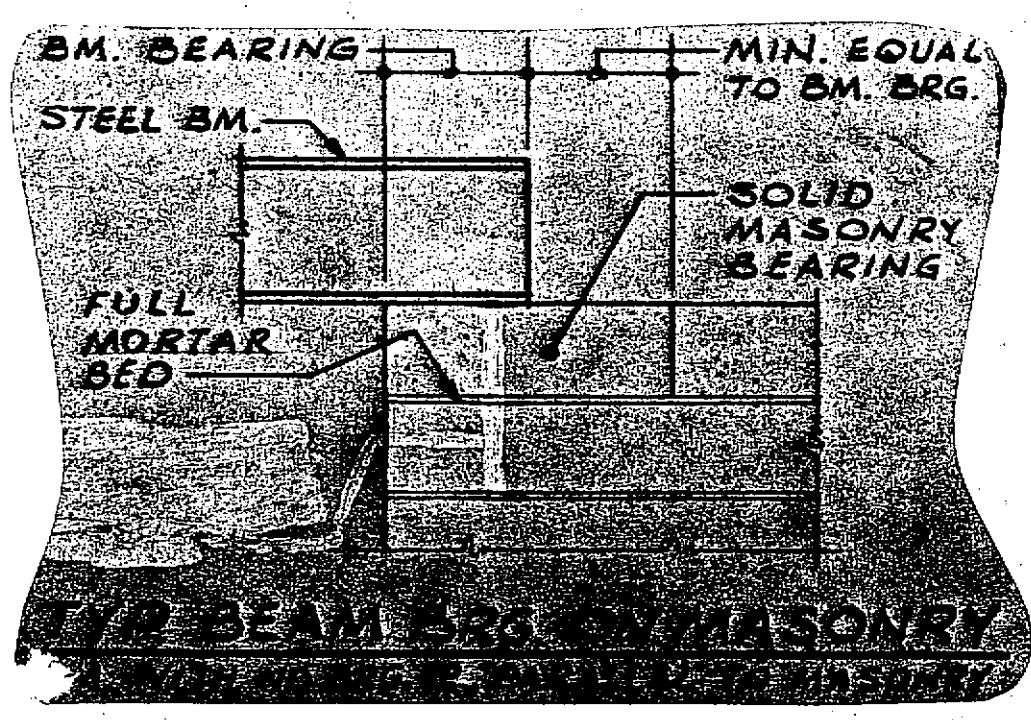
MARK	R SIZE	MARK	R SIZE
BP-1	1"x7"x10"	BP-4	1/2"x7"x8"
BP-2	1/4"x7"x20"	BP-5	1/2"x7"x10"
BP-3	1/8"x7"x22"	BP-6	5/8"x7"x12"

LINTEL SCHEDULE

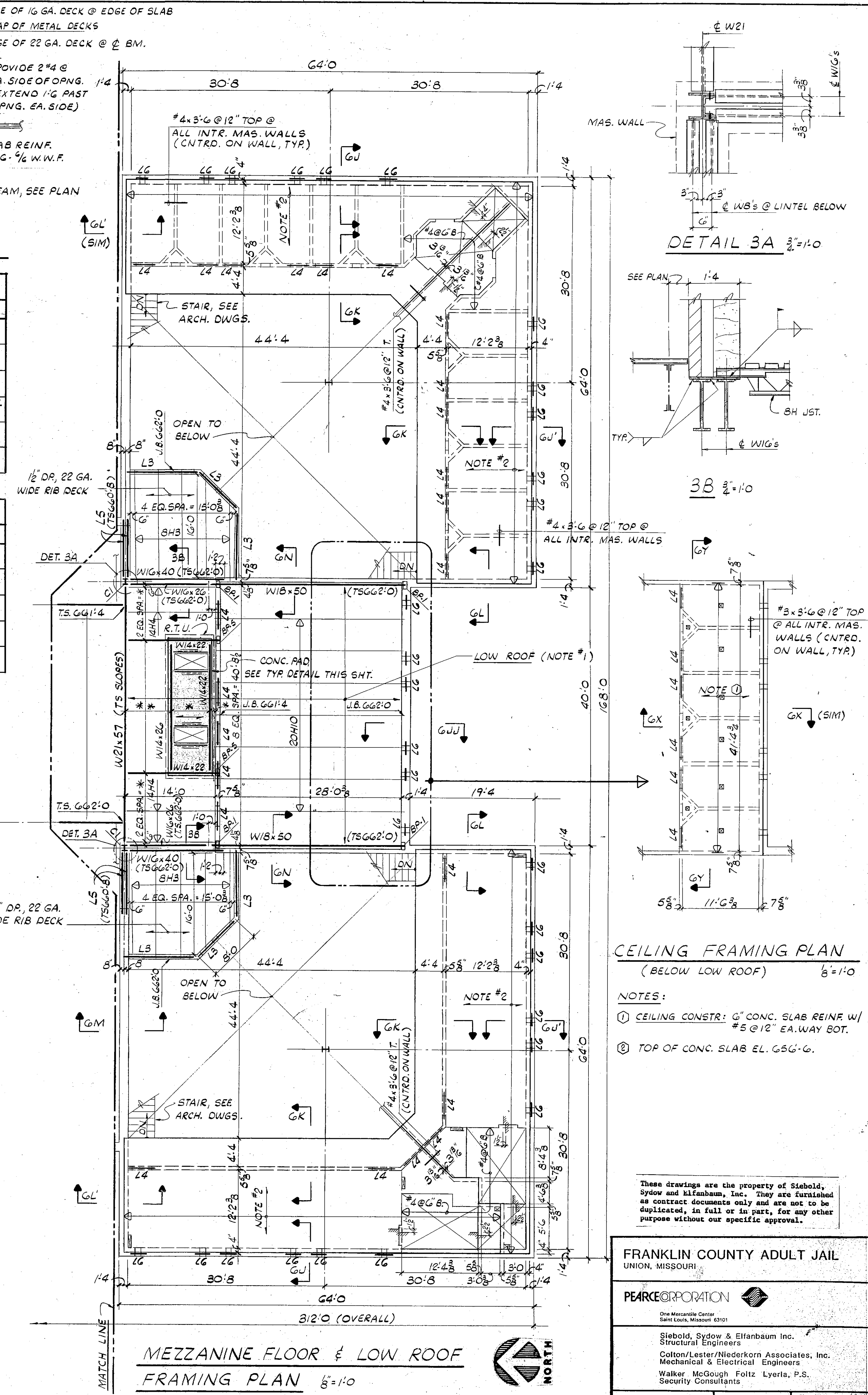
MARK	SIZE	REMARKS
L1	WBx21+R3/8 @ LG+4x3/8	SEE SECT. GK FOR STIFF. R'S
L2	NOT USED	
L3	WBx15+R3/8	
L4	C.M.U. W/ 2x5 B. GROUT SOLID	TYP. INTR. LINTEL < 4'-0" OPNG.
L5	2-WBx18+R3/8 @ 1'-4"	
L6	2-7/8" C.M.U. W/ 2x5 B. GROUT SOLID	

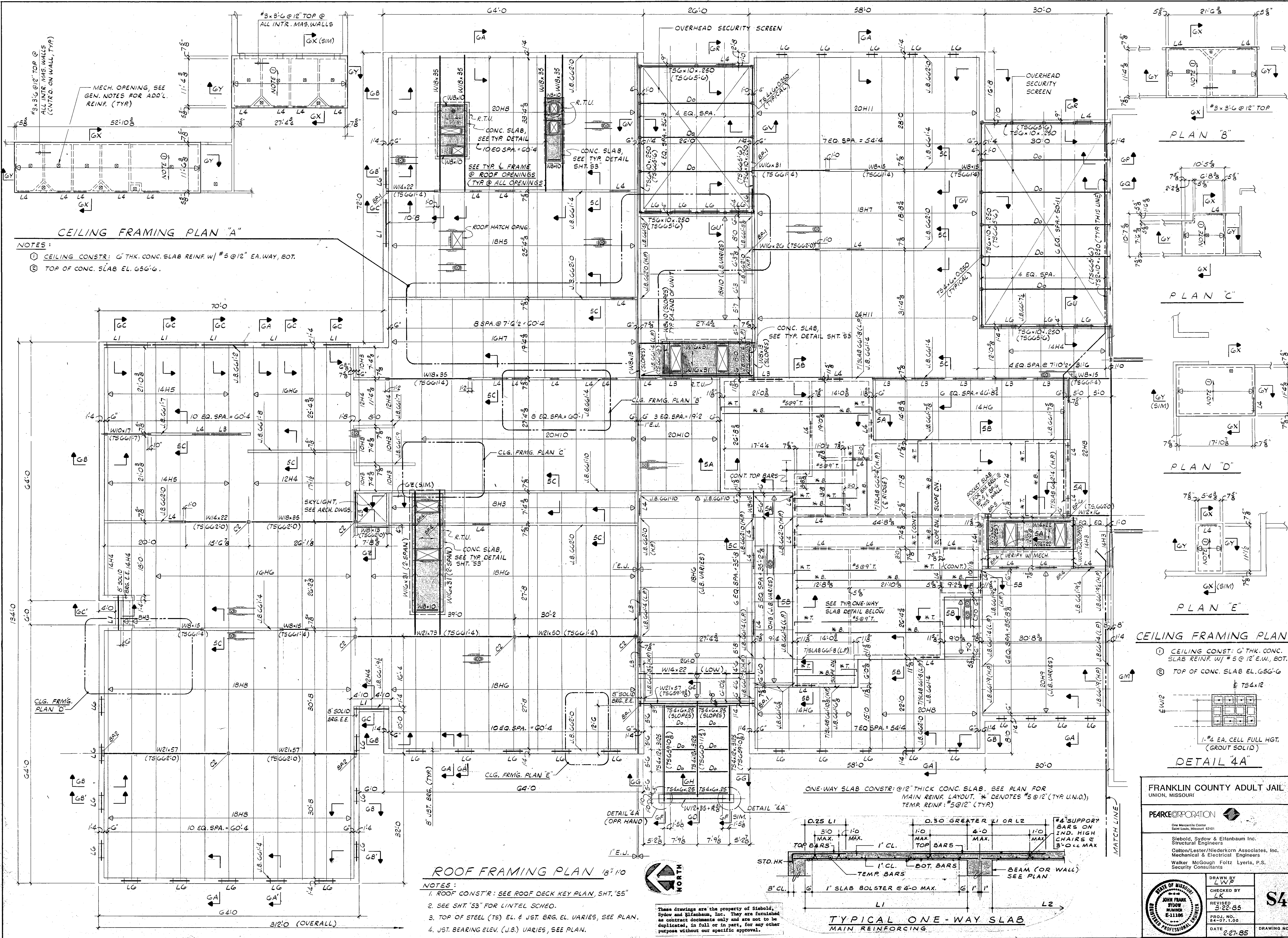
COLUMN SCHEDULE

MARK	SIZE	BASE R
C1	WBx31	1"x14"x14"
C2	TS 4x4x.500	1"x12"x12"
C3	W10x33	1"x16"x16"



- GENERAL NOTES**
- All structural steel and details shall comply with the AISC "Specification for Design, Fabrication and Erection of Structural Steel for Buildings". All structural steel shall comply to the ASTM 30 specification.
 - The frame of steel skeleton buildings shall be erected and braced in accordance with the AISC "Code of Standard Practice". Such bracing shall be left in place as long as may be required for safety.
 - Shop and field connections are to be bolted with high strength bolts or welded, unless noted otherwise. All end connections shall be designed on basis of AISC load span tables with special consideration given to concentrated loads near ends of beams. Minimum design load to be 10,000 lbs. Bolts to be 3/4" diameter ASTM A325 (Type N) with minimum 2 bolts per connection.
 - Shop and field welding shall conform to the A.W.S. "Code for Welding in Building Construction".
 - All column base plates shall be set on shims true and level. Base plates shall be solidly grouted with EMBEDDED grout under the entire base plate area.
 - Provide 8" of solid masonry under masonry bearing ends of all structural steel. Solid bearing is to extend a minimum of 8" past each side of flange or bearing plate. Beams and lintels to bear a minimum of 8" on masonry.
 - Anchor bolts shall extend into concrete not less than 1'-6", where possible, plus 4" hook and shall be held 2-1/2" minimum from outside face of concrete. All anchor bolts shall be held 1-1/2" minimum from edge of base plate where possible. Provide a minimum of 4-3/4" diameter anchor bolts at each column, unless noted otherwise.
 - Provide 2-1/2" diameter anchor bolts embedded 1'-4" into masonry and grouted solid at bearing ends of all beams spanning perpendicular to supporting wall.
 - Masonry walls, unless noted otherwise, shall have 3/8 x 10 x 1/4" plate lintel over all openings greater than 1'-4" in length.
- STEEL JOIST**
- All steel joists, bridging and details shall comply with the Latest Steel Joist Institute "Standard Specifications and Load Tables" for design, fabrication and erection.
 - Joists shall be erected within a maximum horizontal alignment tolerance of 1/4" in 25'-0".
 - Provide 8" of solid masonry under masonry bearing ends of steel joists. Solid masonry to run continuously at bearing elevation.
 - All roof joists shall be anchored to masonry with a 2" x 1/8" steel strap placed as the masonry work progresses (embed minimum 8") and located at each end. After the joist is in place the anchor is to be bent over and welded to it. If there is no masonry parapet, provide 2 strap anchors each end per joist as noted above.
 - Provide special depth ends, extended ends, outriggers, headers, ceiling extensions, anchors, etc., as required by drawings and specifications.





CEILING FRAMING PLAN "A"

NOTES:
 ① CEILING CONSTR: 6" THK. CONC. SLAB REINF. W/ #5 @ 12" EA. WAY, BOT.
 ② TOP OF CONC. SLAB EL. 656'6".

PLAN "B"

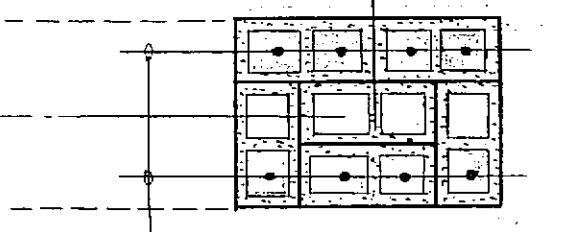
PLAN "C"

PLAN "D"

PLAN "E"

CEILING FRAMING PLANS

① CEILING CONSTR: 6" THK. CONC. SLAB REINF. W/ #5 @ 12" EA. WAY, BOT.
 ② TOP OF CONC. SLAB EL. 656'6" & 734'12"



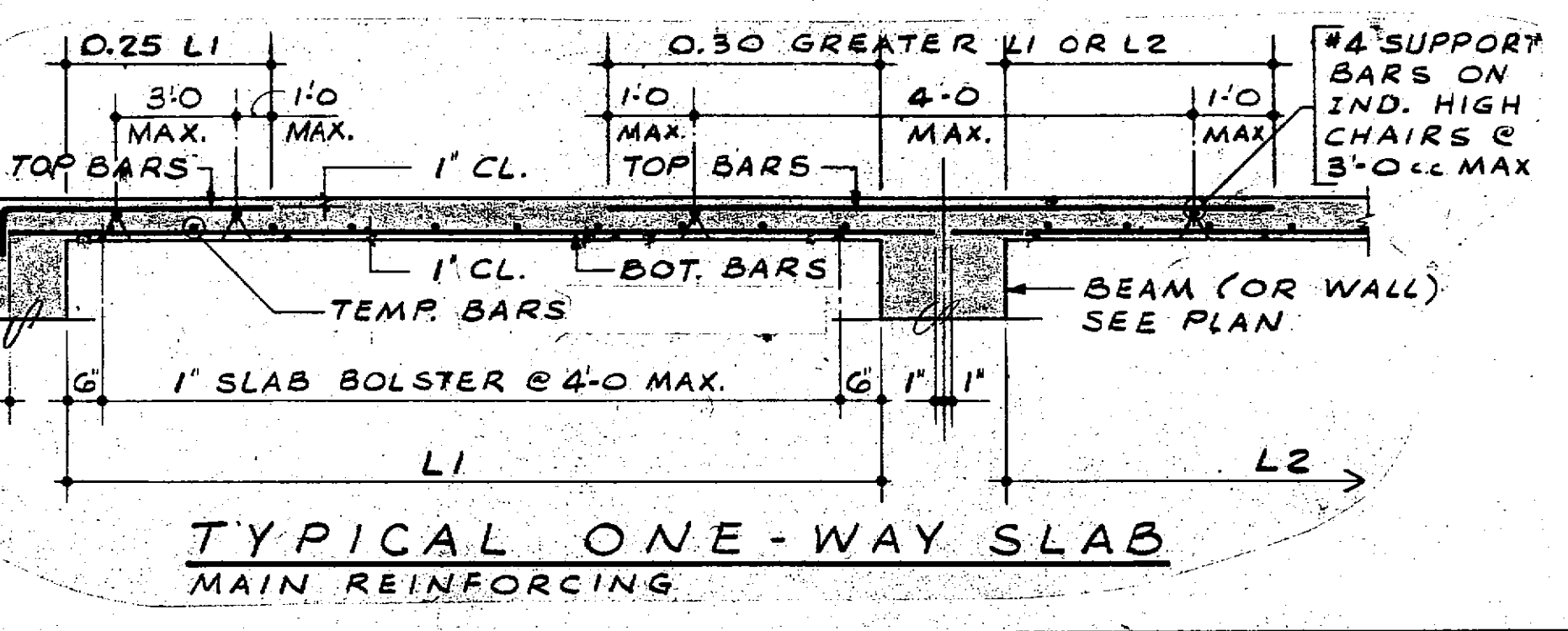
DETAIL 4A

ROOF FRAMING PLAN 18'x10'

NOTES:
 1. ROOF CONSTR: SEE ROOF DECK KEY PLAN, SHT. "55"
 2. SEE SHT. "53" FOR LINTEL SCHED.
 3. TOP OF STEEL (TS) EL. & JST. BRG. EL. VARIES, SEE PLAN.
 4. JST. BEARING ELEV. (J.B.) VARIES, SEE PLAN.



These drawings are the property of Siebold, Sydow & Eitzenbaum, Inc. They are furnished as contract documents only and are not to be duplicated, in full or in part, for any other purpose without our specific approval.

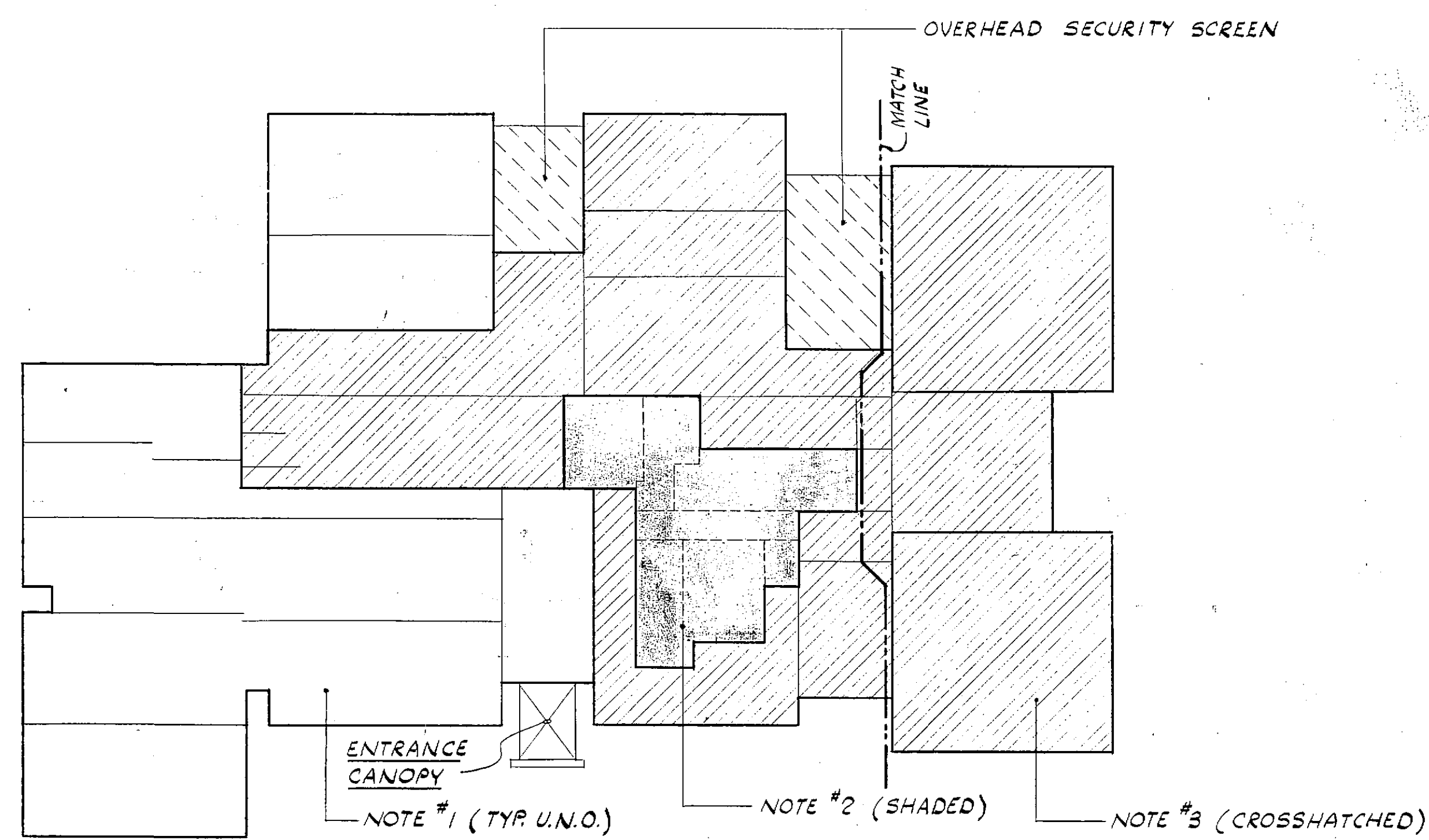
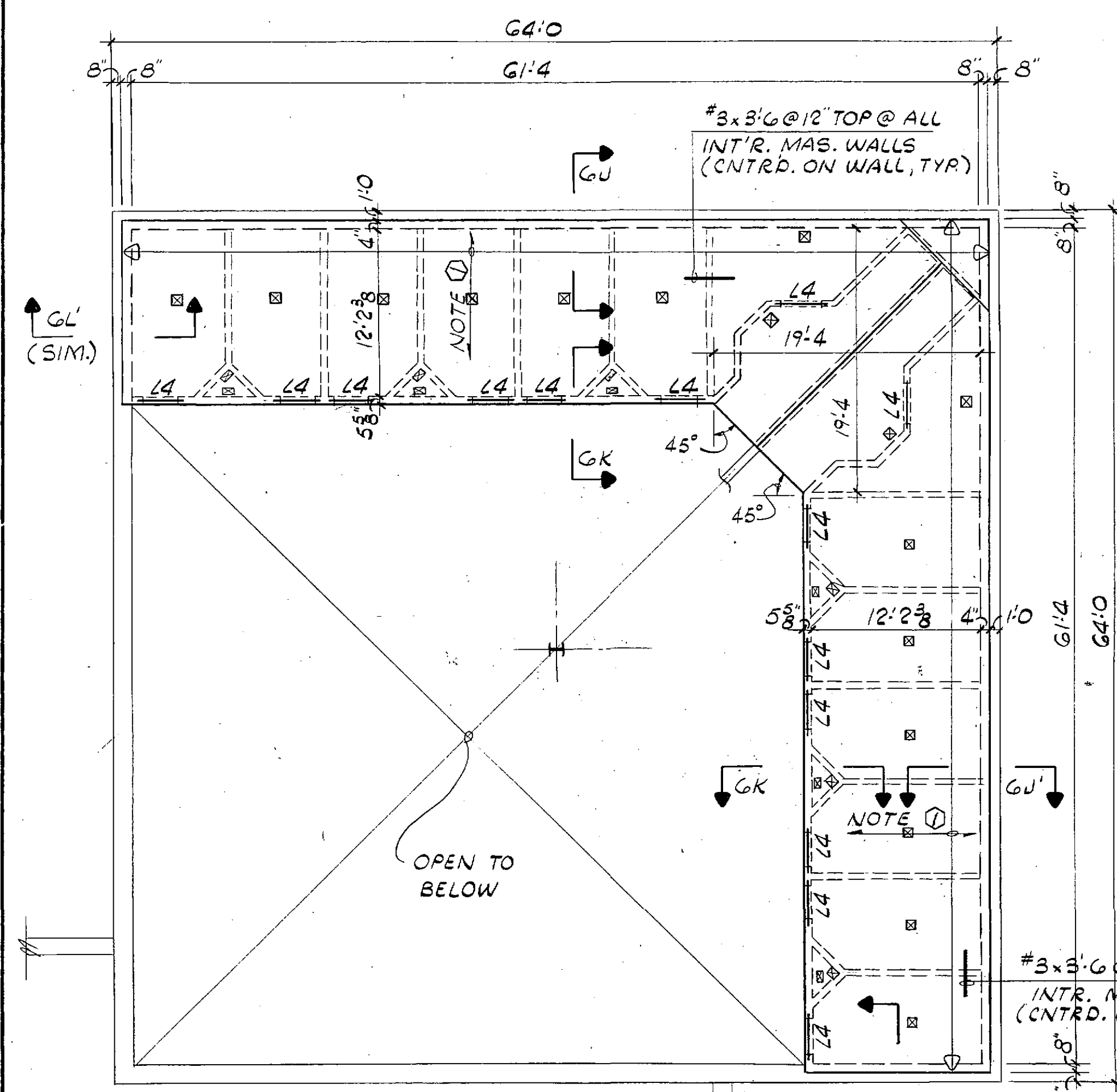


FRANKLIN COUNTY ADULT JAIL
 UNION, MISSOURI

PEARCE CORPORATION
 One Mercantile Center
 Saint Louis, Missouri 63101

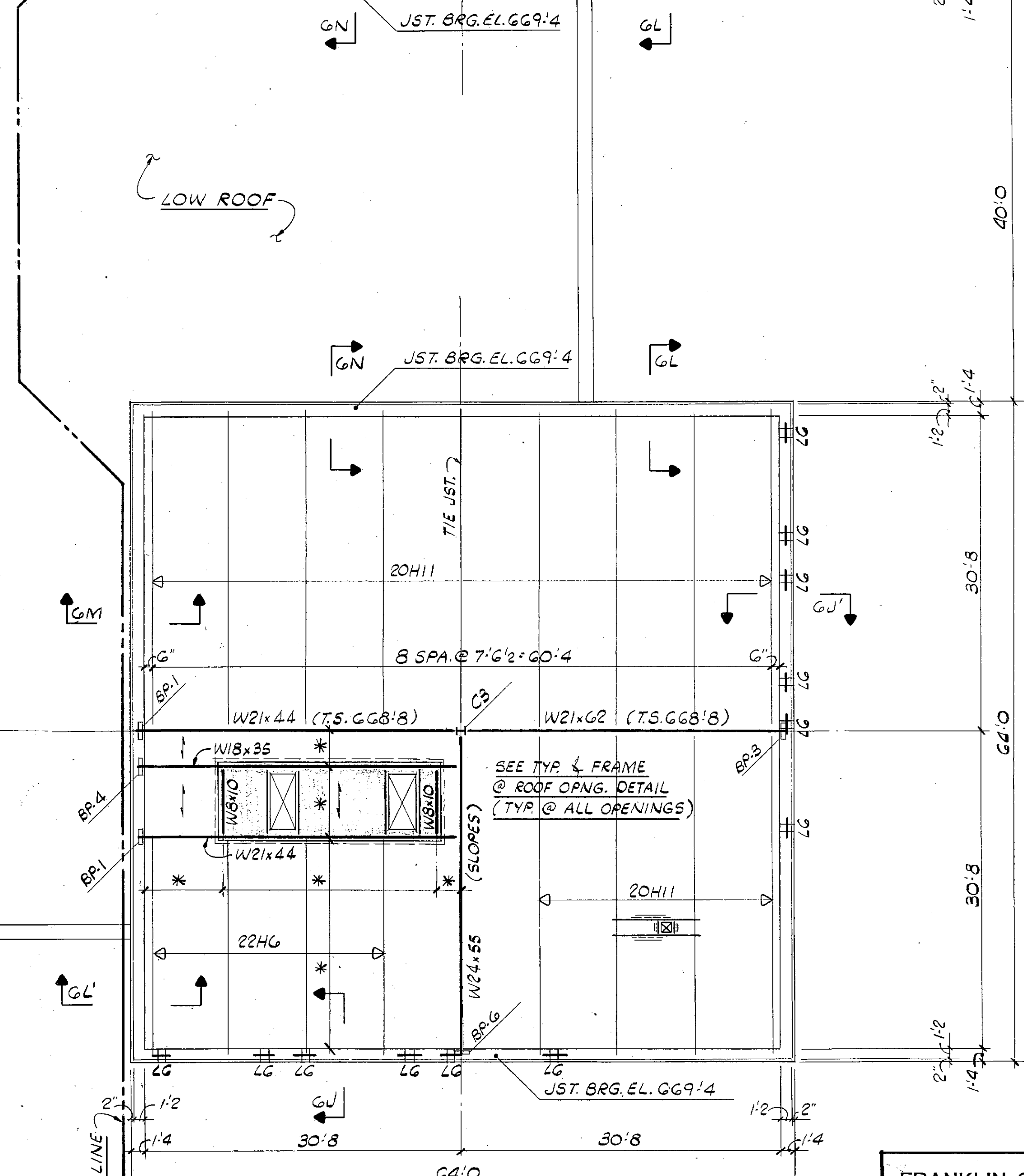
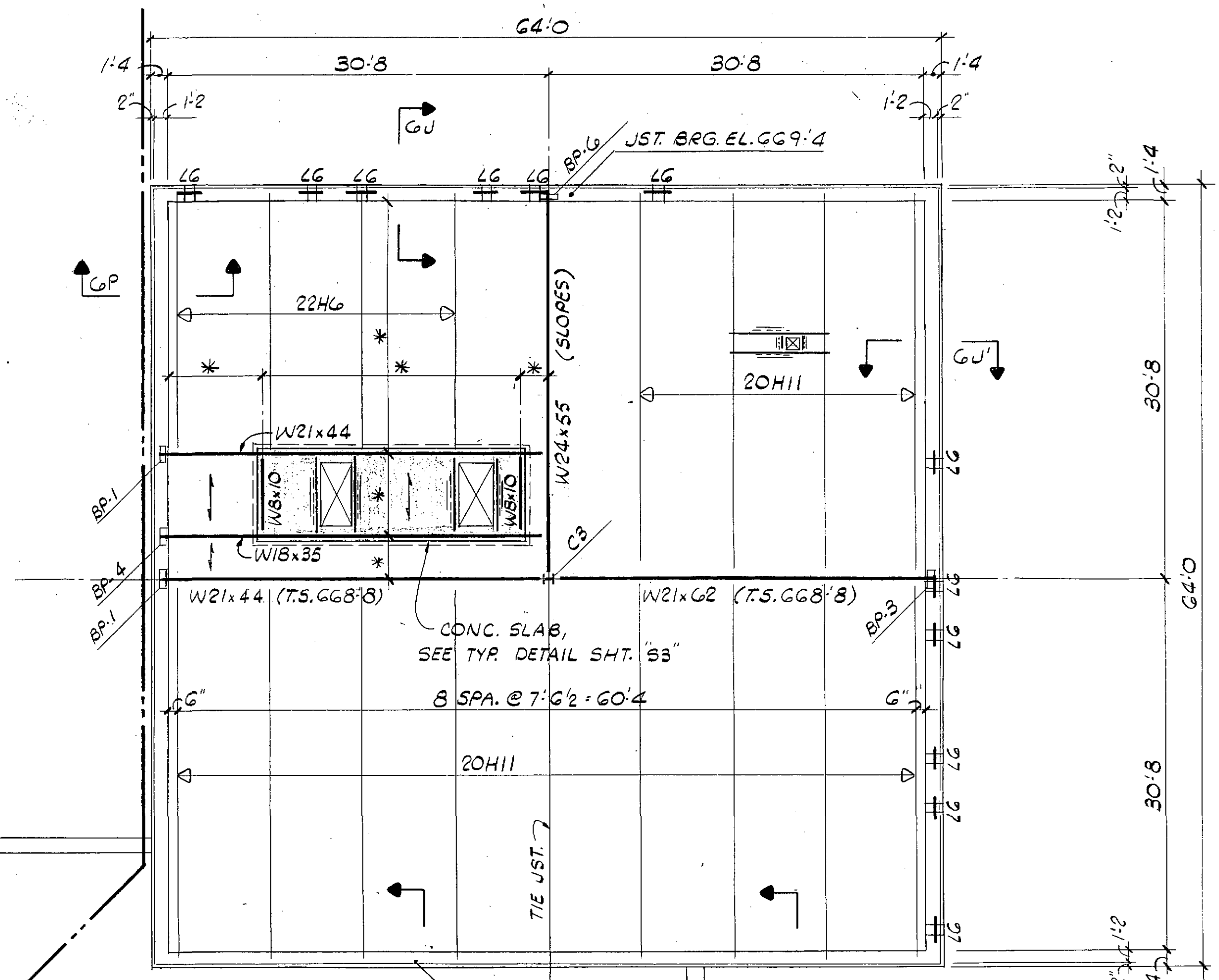
Siebold, Sydow & Eitzenbaum Inc.
 Structural Engineers
 Colton Lester/Niederborn Associates, Inc.
 Mechanical & Electrical Engineers
 Walker McGough Foltz Lyster, P.S.
 Security Consultants

	DRAWN BY LWP	S4
	CHECKED BY LK	
	REVISED 5-22-85	
	PROJ. NO. 84-07-1.00	
	DATE 2-27-85	DRAWING NO.



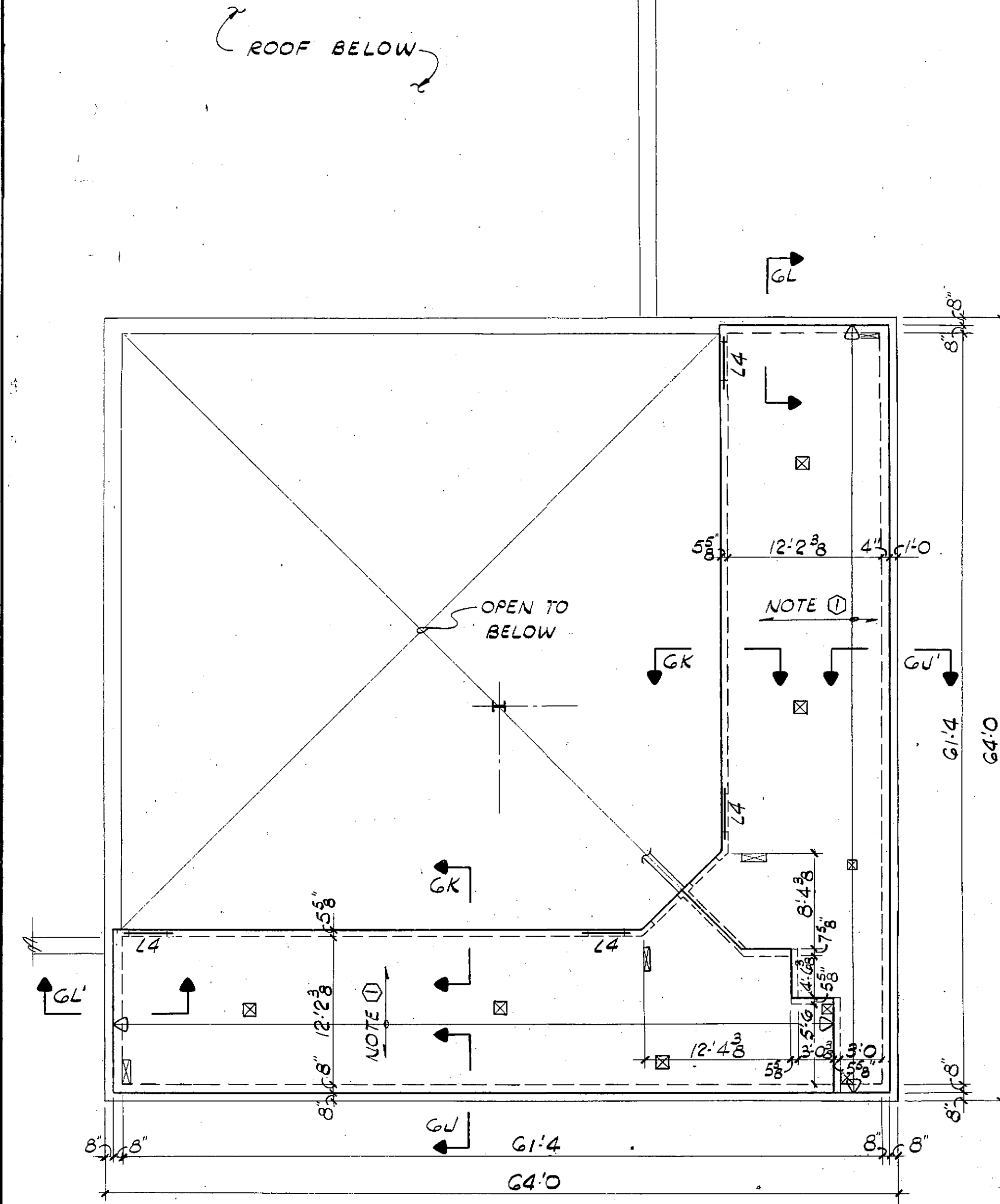
ROOF DECK KEY PLAN 1/2" = 1'-0"

- NOTES:
- ROOF CONSTRUCTION: (TYPICAL U.N.O.) Membrane roof on rigid insulation on 1-1/2" deep, 22 ga. wide rib metal deck, maximum joist spacing 6'-0".
 - ROOF CONSTRUCTION: (SHADED) 12" thick reinforced concrete slab. See Sheet "S4" for slab reinforcing and typical one way slab detail.
 - ROOF CONSTRUCTION: (CROSSHATCHED) Membrane roof on rigid insulation on 1-1/2" deep, 14 ga. wide rib metal deck, Maximum joist spacing 8'-0".



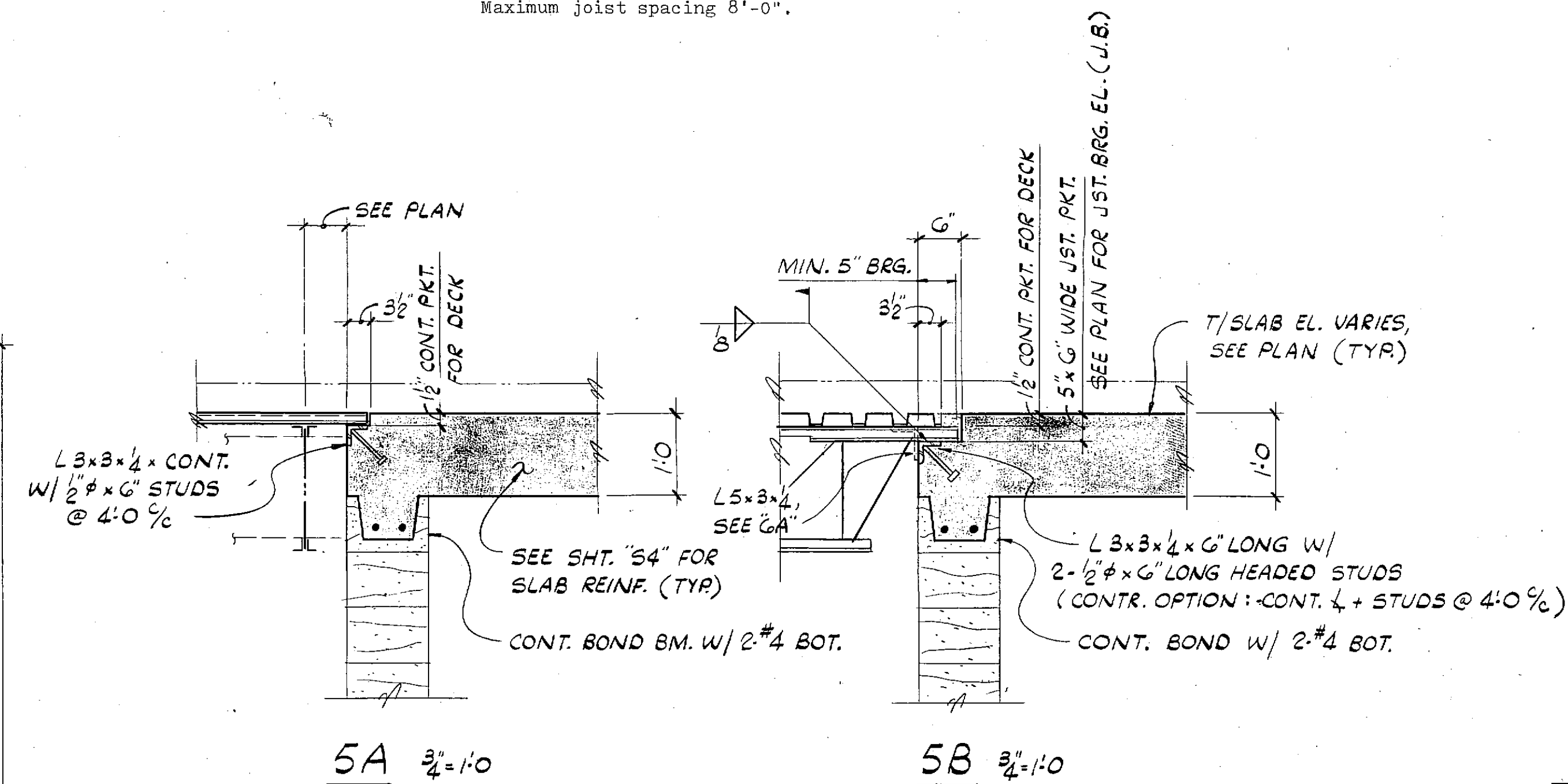
HIGH ROOF FRAMING PLAN 1/8" = 1'-0"

- NOTES:
1. ROOF CONSTR: SEE ROOF DECK KEY PLAN THIS SHT. "S5"
 2. TOP OF STL (T.S.) EL. & JST. BRG. EL. VARIES, SEE PLAN
 3. SEE SHT. "S3" FOR BRG. R. SCHED., COL. SCHED., & LINTEL SCHED.
 4. DIMENSIONS NOTED THUS * TO BE SUPPLIED BY MECH. CONTR.



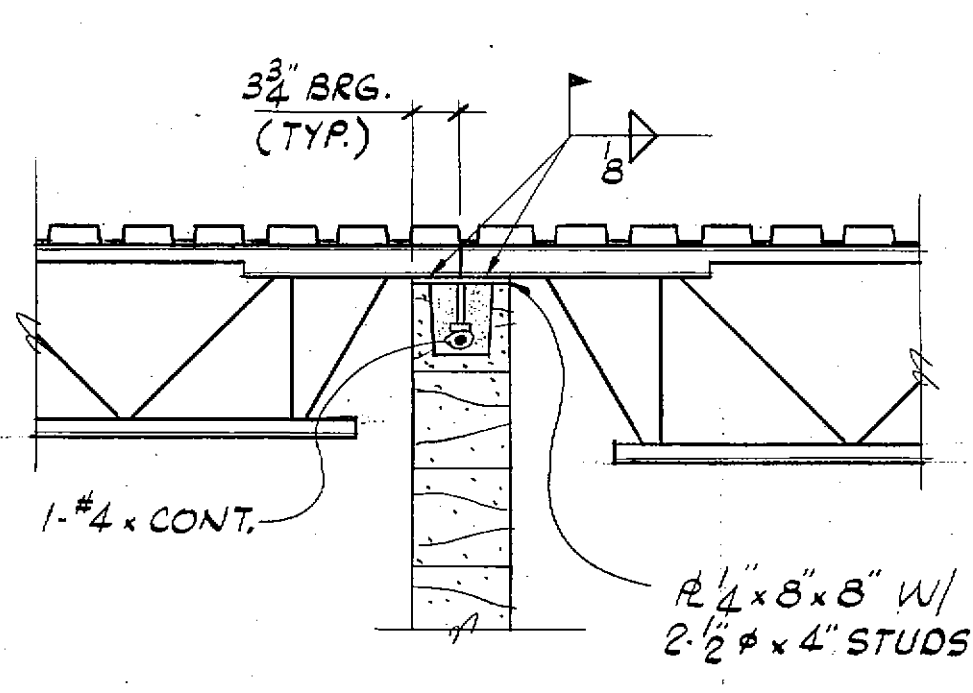
CEILING FRAMING PLAN 1/8" = 1'-0" (ABOVE MEZZANINE LEVEL)

- NOTES:
1. CEILING CONSTR: 6" THK. CONCR. SLAB REINF. W/ #5 @ 12" EA. WAY BOT.
 2. TOP OF CONCR. SLAB EL. GG5'-2"

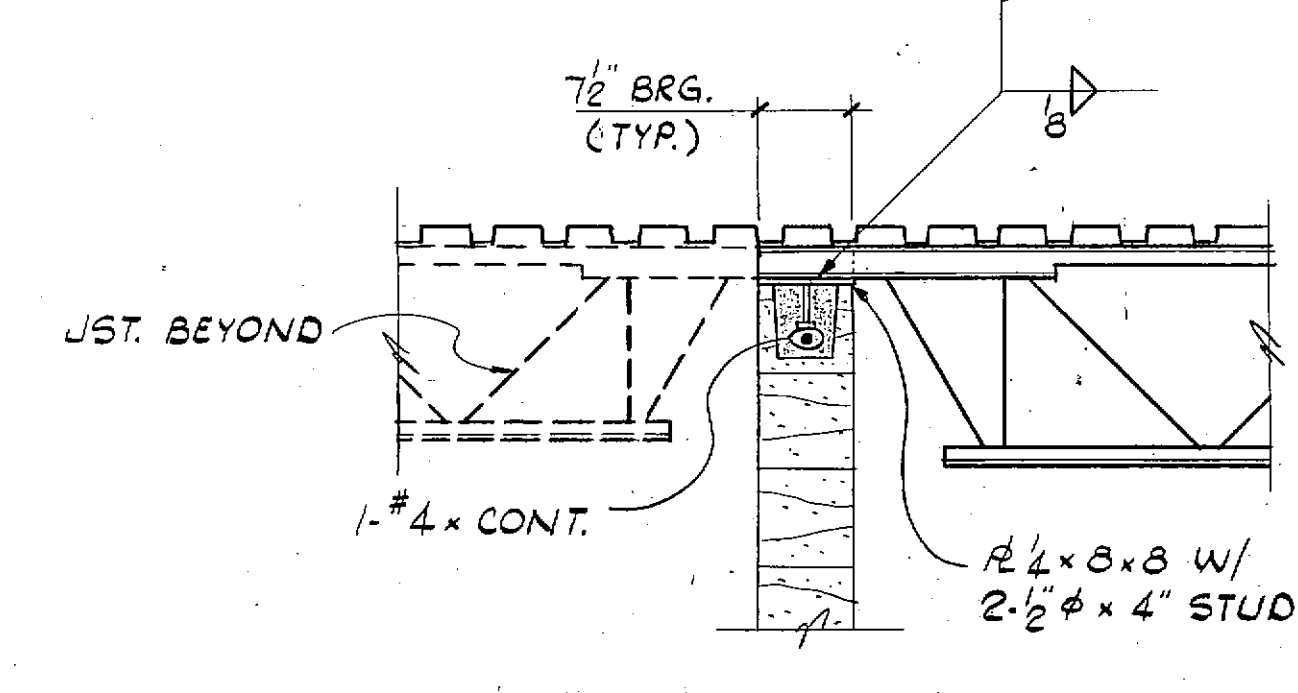


5A 3/4" = 1'-0"

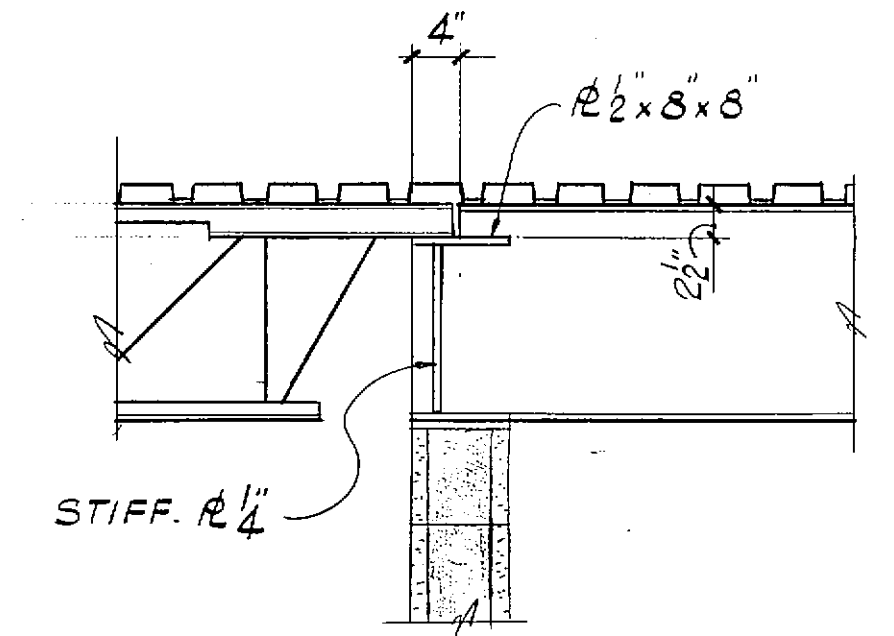
5B 3/4" = 1'-0"



5C (INTR. BEARING WALL) 3/4" = 1'-0" JOISTS OPP. EA. OTHER



5C (INTR. BEARING WALL) 3/4" = 1'-0" JOIST NOT OPP. EA. OTHER



5D 3/4" = 1'-0" (3-TUS WHERE W18 & JST. OPP. EA. OTHER)

FRANKLIN COUNTY ADULT JAIL
UNION, MISSOURI

PEARCE CORPORATION

One Mercantile Center
Saint Louis, Missouri 63101

Siebold, Sydnor & Effenbaum Inc.
Structural Engineers

Colton/Lester/Niederkm Associates, Inc.
Mechanical & Electrical Engineers

Walker McGough Foltz Lyster, P.S.
Security Consultants

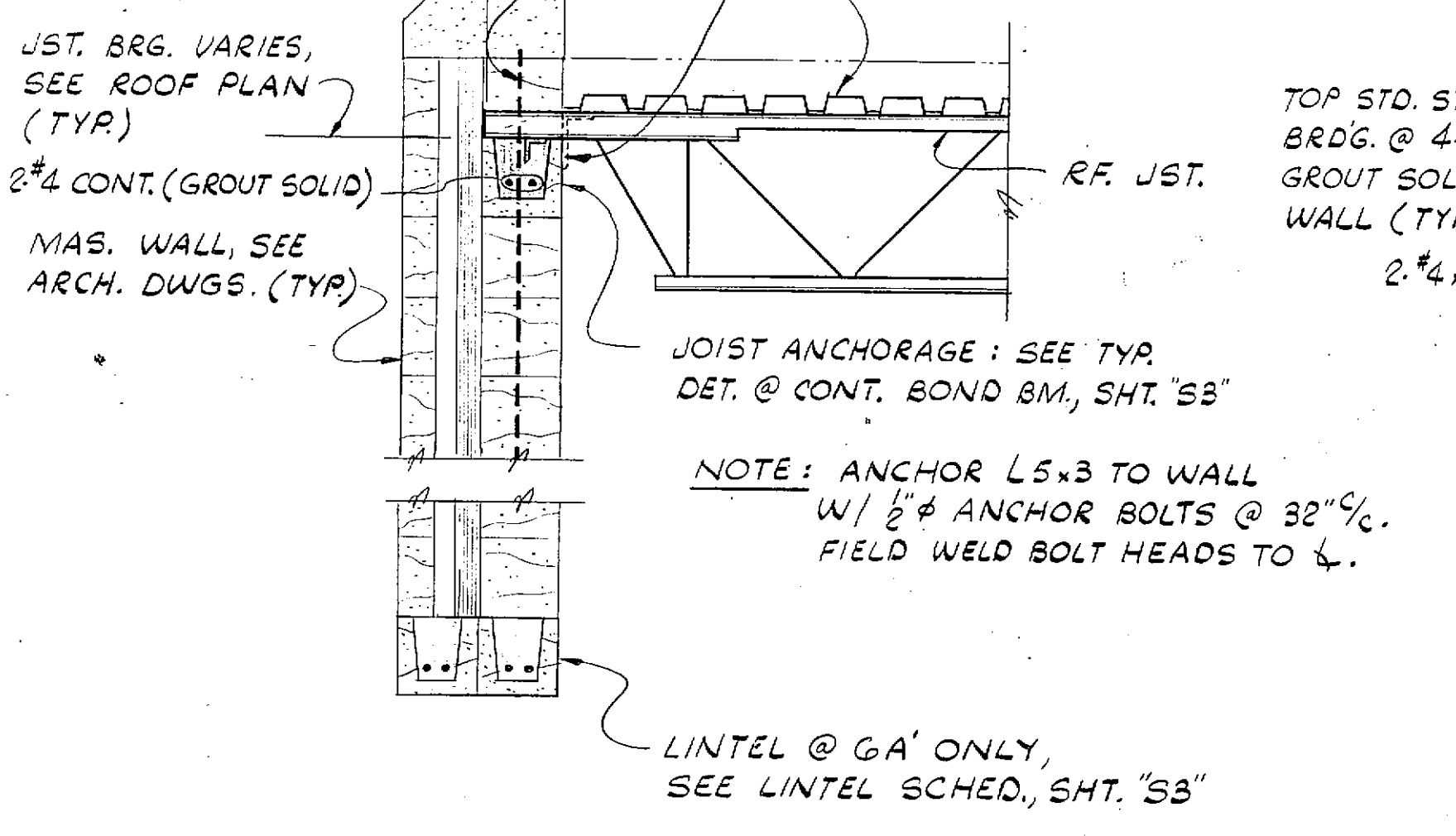
DRAWN BY LWP
CHECKED BY LK
REVISED 3-22-85
PROJ. NO. 84-071-1-00
DATE 2-27-85

STATE OF MISSOURI
REGISTERED PROFESSIONAL ENGINEER
JOHN FRANK STODOL
NUMBER E-11106

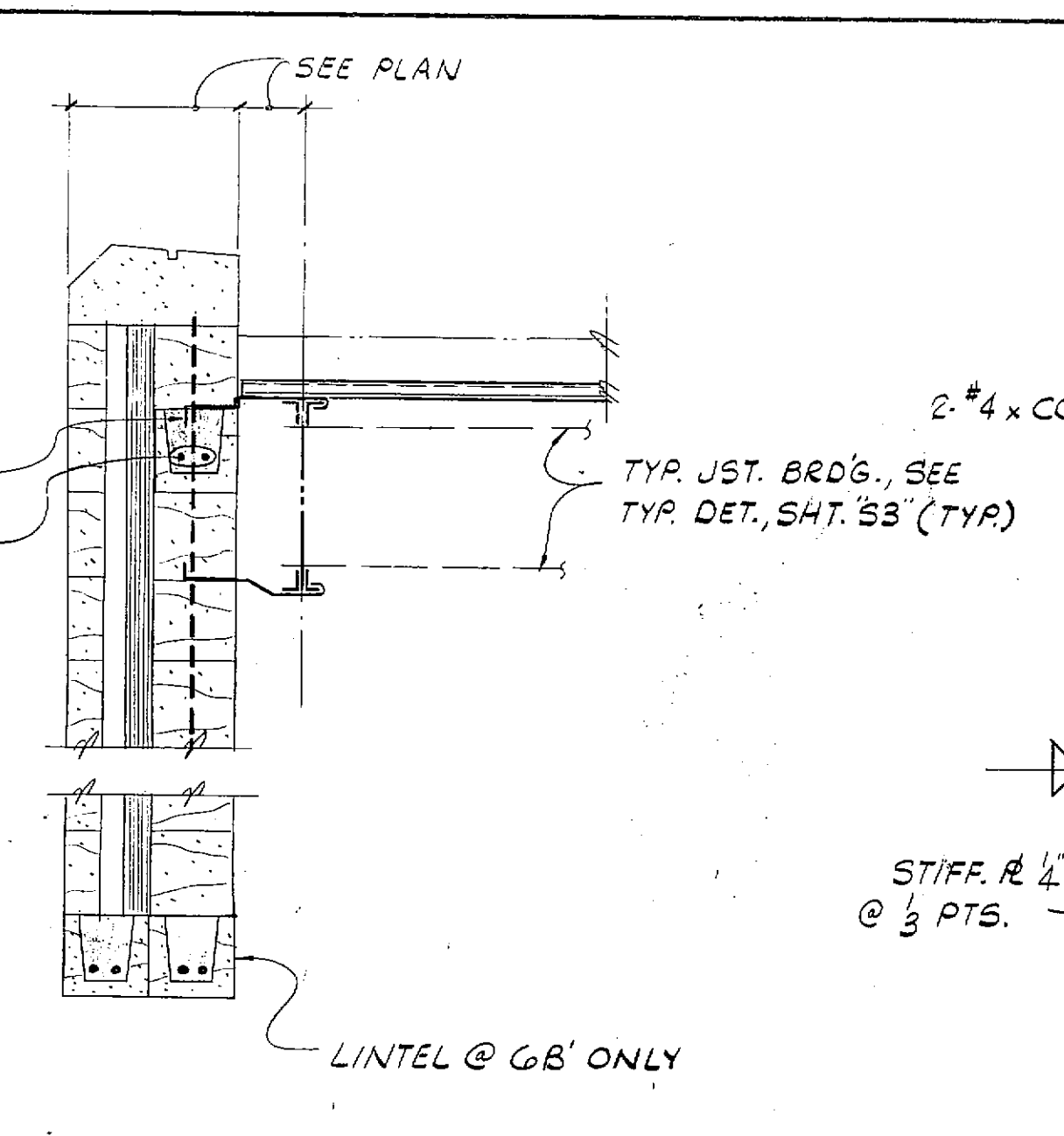
S5
DRAWING NO.

These drawings are the property of Siebold, Sydnor & Effenbaum, Inc. They are furnished as contract documents only and are not to be duplicated, in full or in part, for any other purpose without our specific approval.

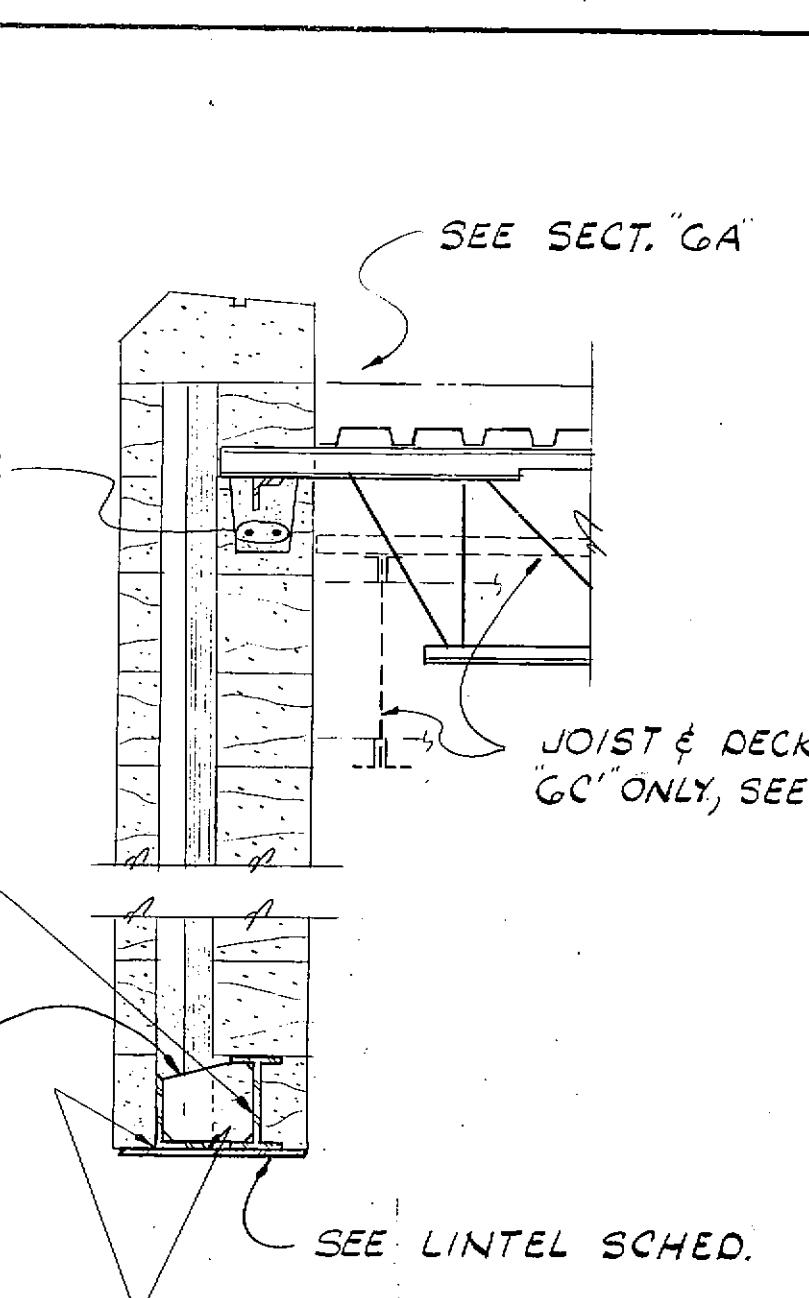
NOTE: VERT. WALL REIN. WHERE INDICATED ON FDN. PLAN TO BE CONT. THRU BOND BM. (TYP. @ ALL REINFR. WALLS)



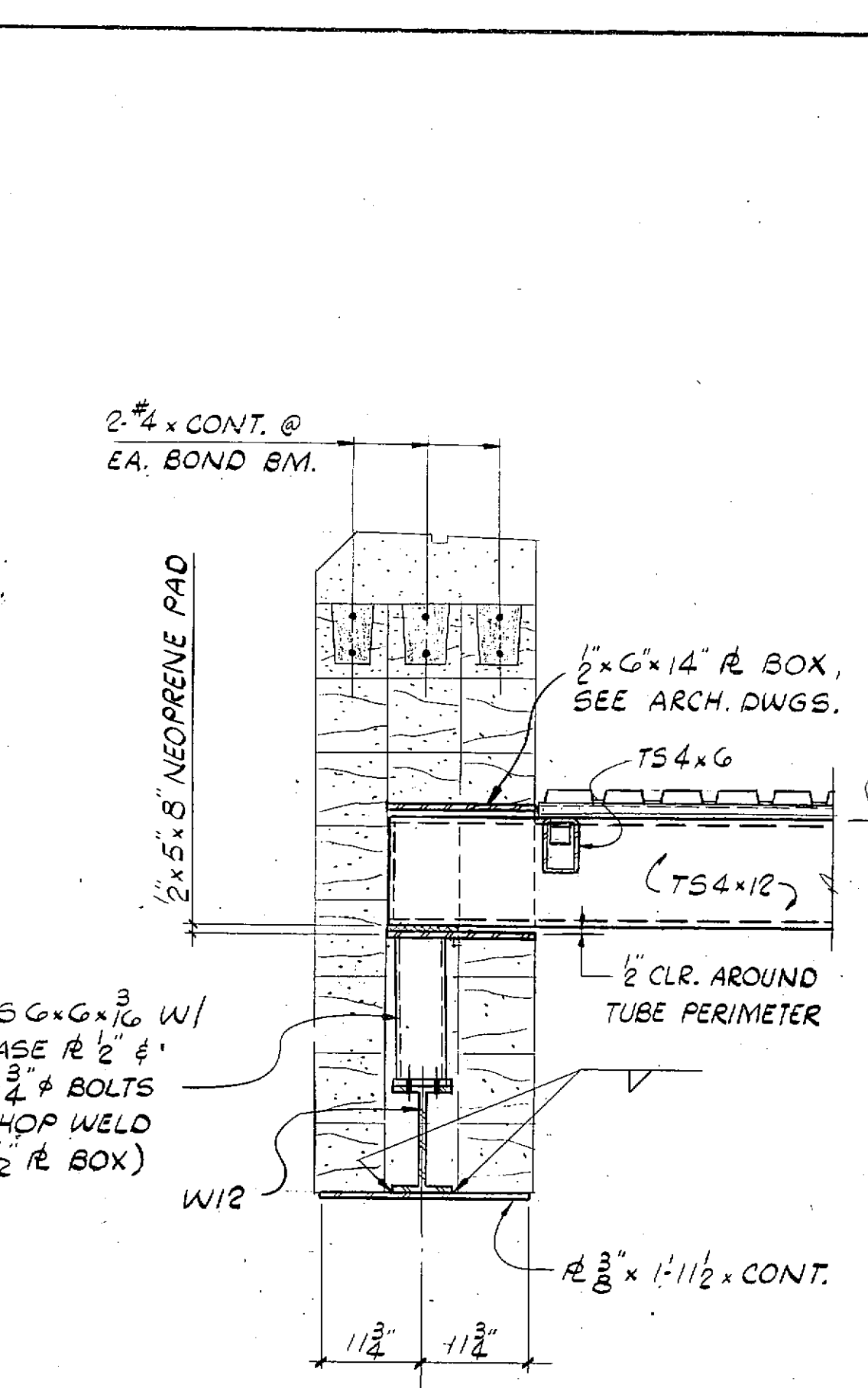
GA
GA' 3/4"=1'-0"



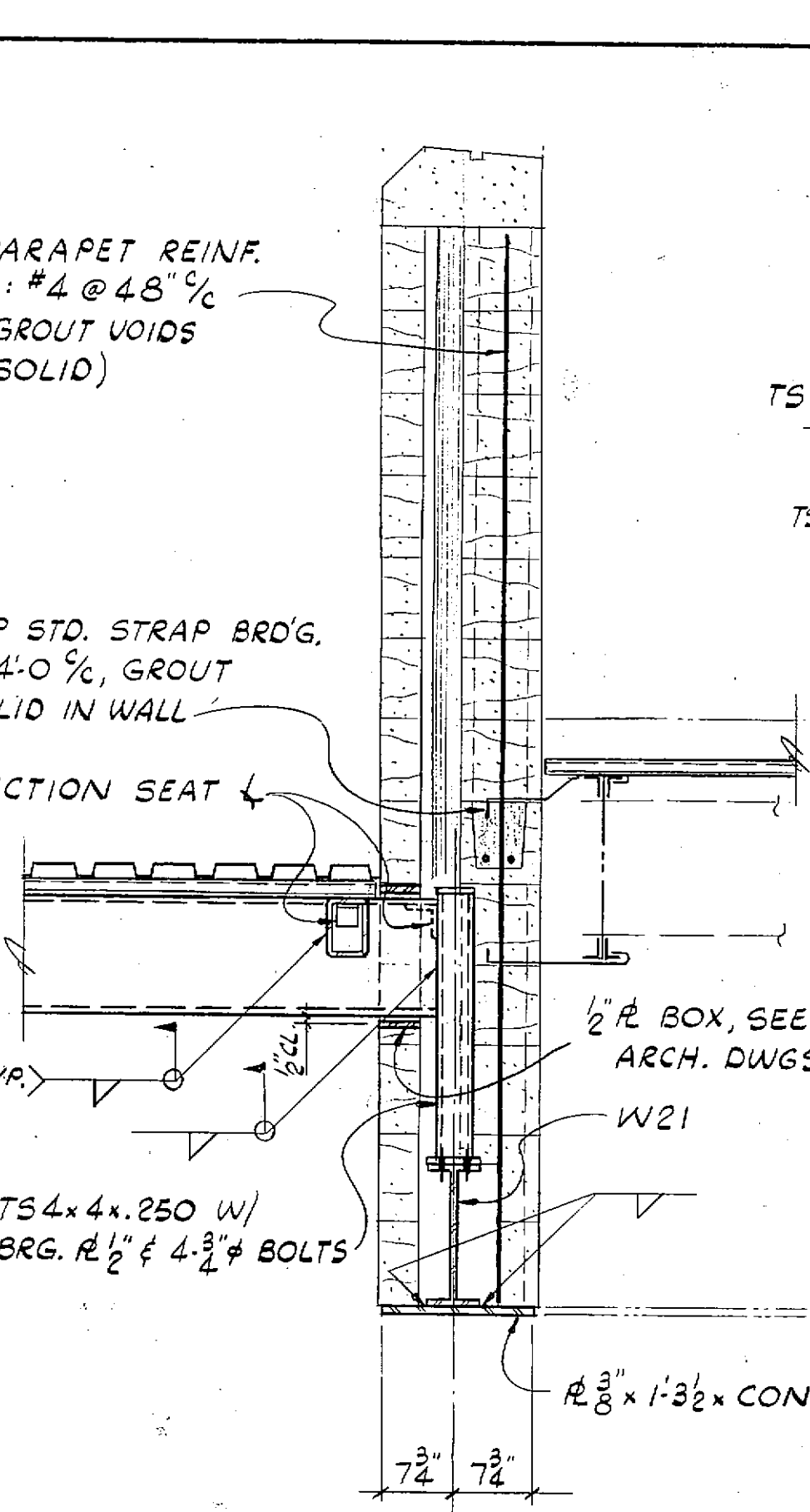
GB
GB' 3/4"=1'-0"



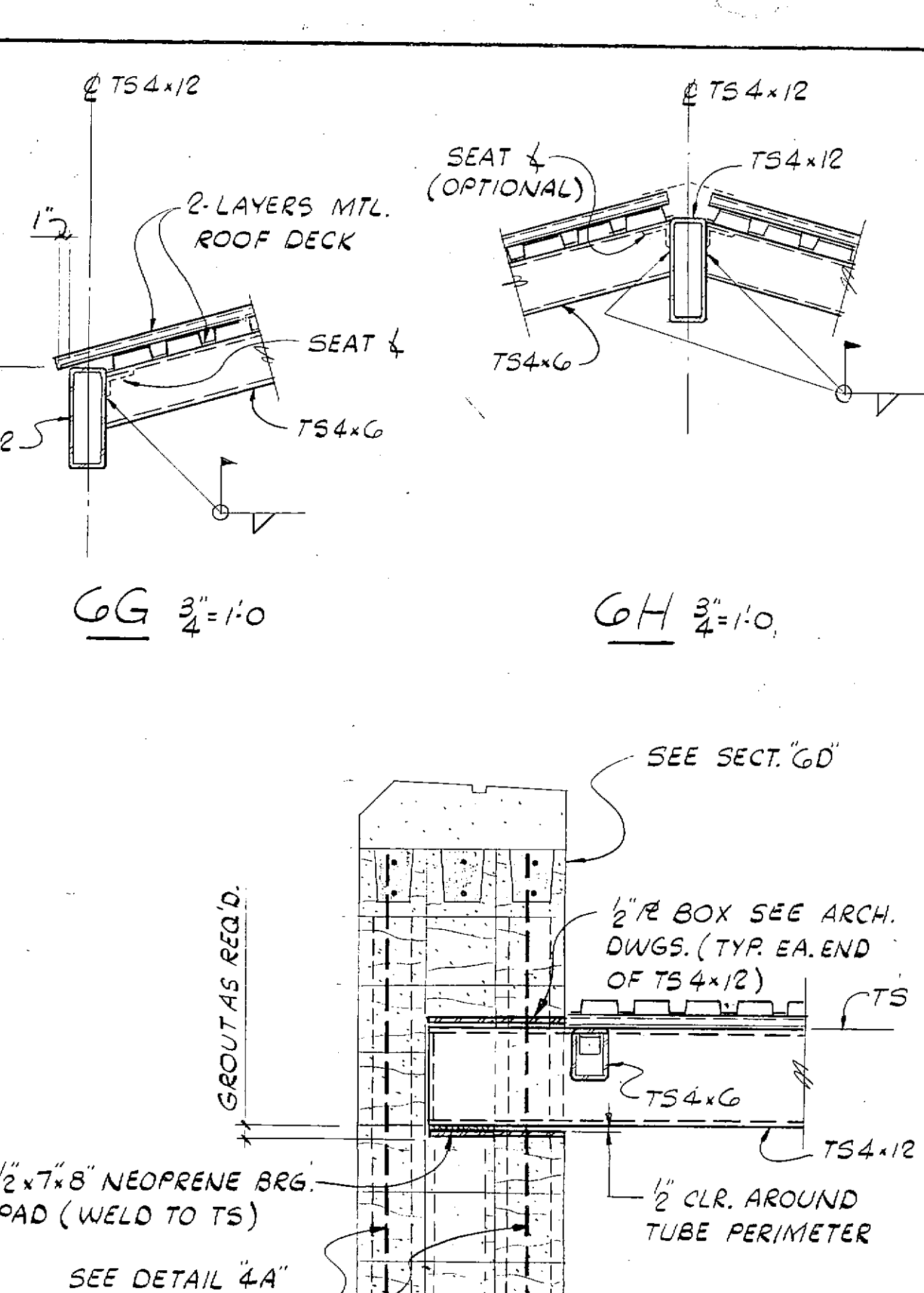
GC
GC' 3/4"=1'-0"



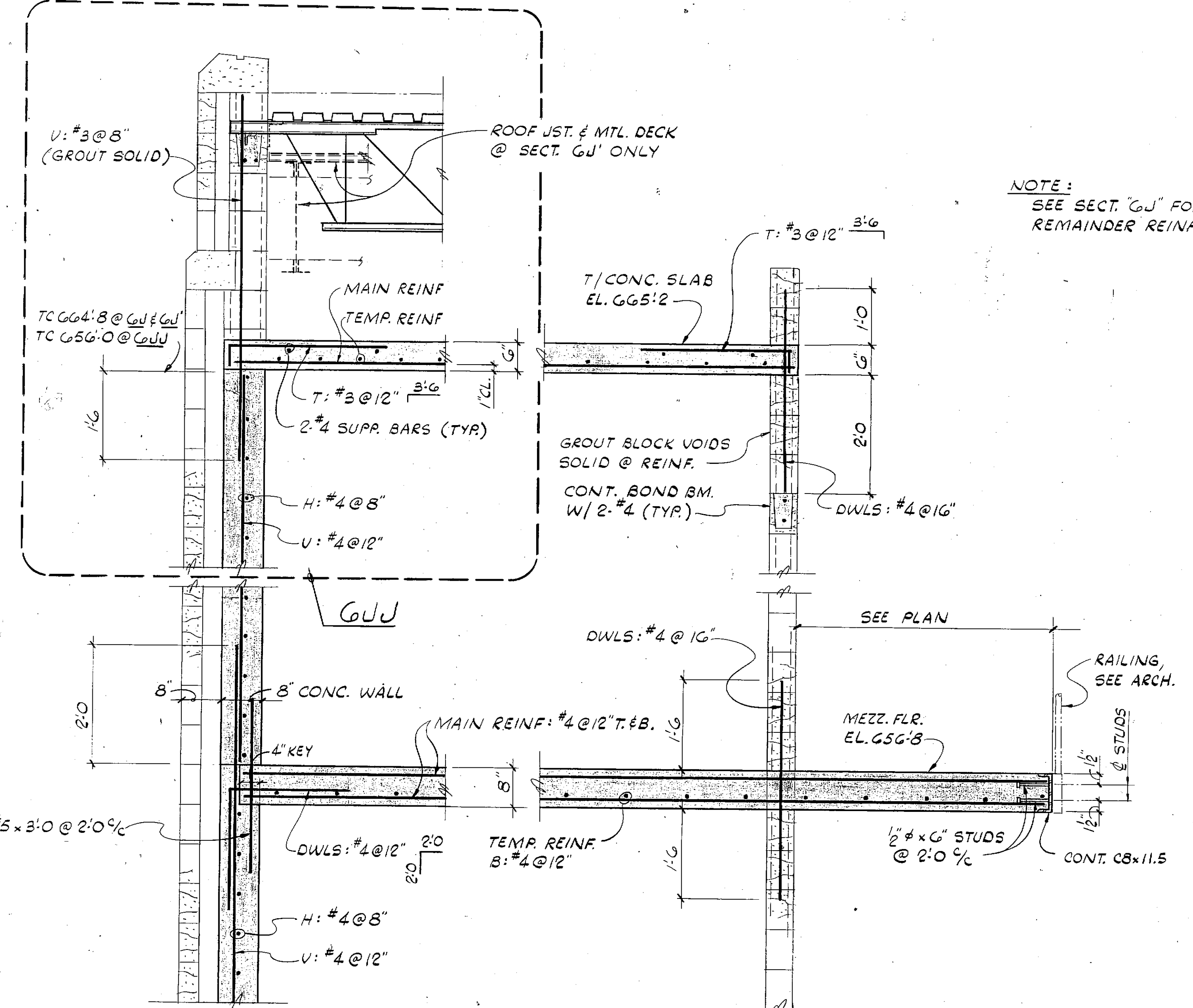
GD
GD' 3/4"=1'-0"



GE
GE' 3/4"=1'-0"

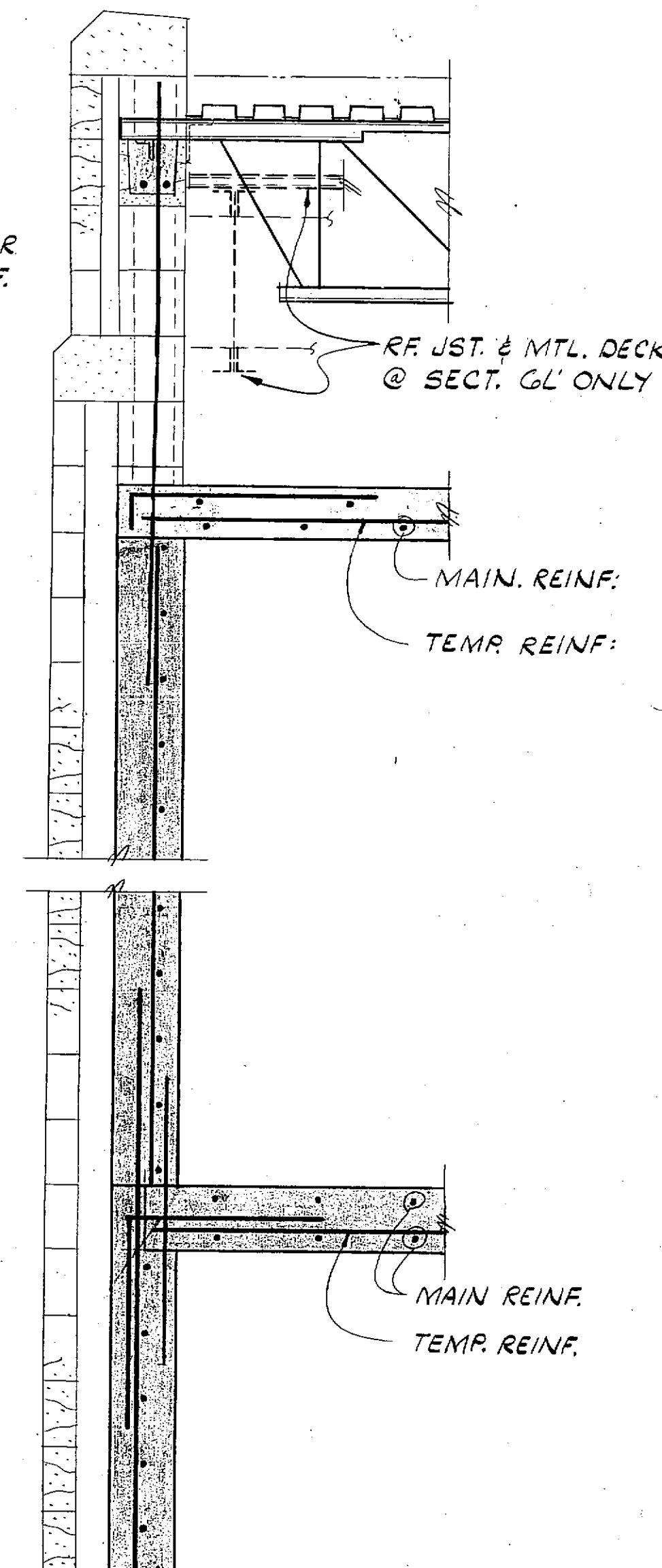


GF
GF' 3/4"=1'-0"



GU
GU' 3/4"=1'-0"

NOTE: SEE SECT. 'GU' FOR REMAINDER REINFR.



GM
GM' 3/4"=1'-0"

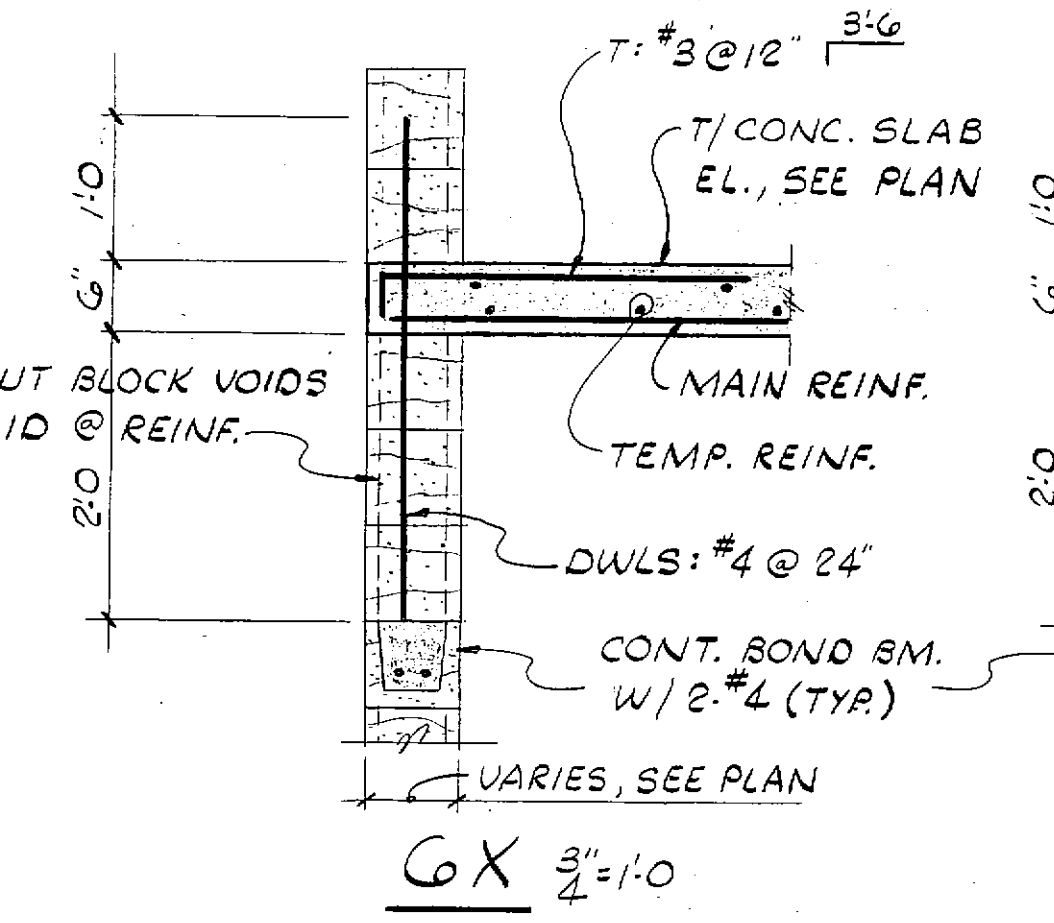
GN
GN' 3/4"=1'-0"

GP
GP' 3/4"=1'-0"

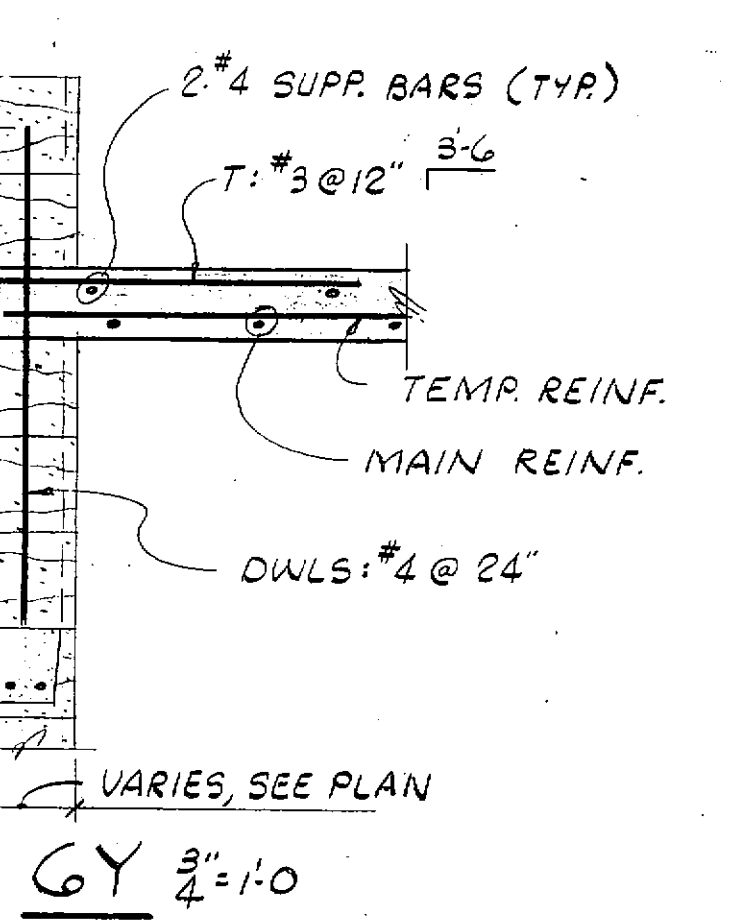
NOTE: MEZZ. CONC. SLAB MAY BE OMITTED UNTIL ENTIRE WALL & ROOF ARE IN PLACE. BRACE WALLS AS REQ'D. FOR LATERAL STABILITY.

GK
GK' 3/4"=1'-0"

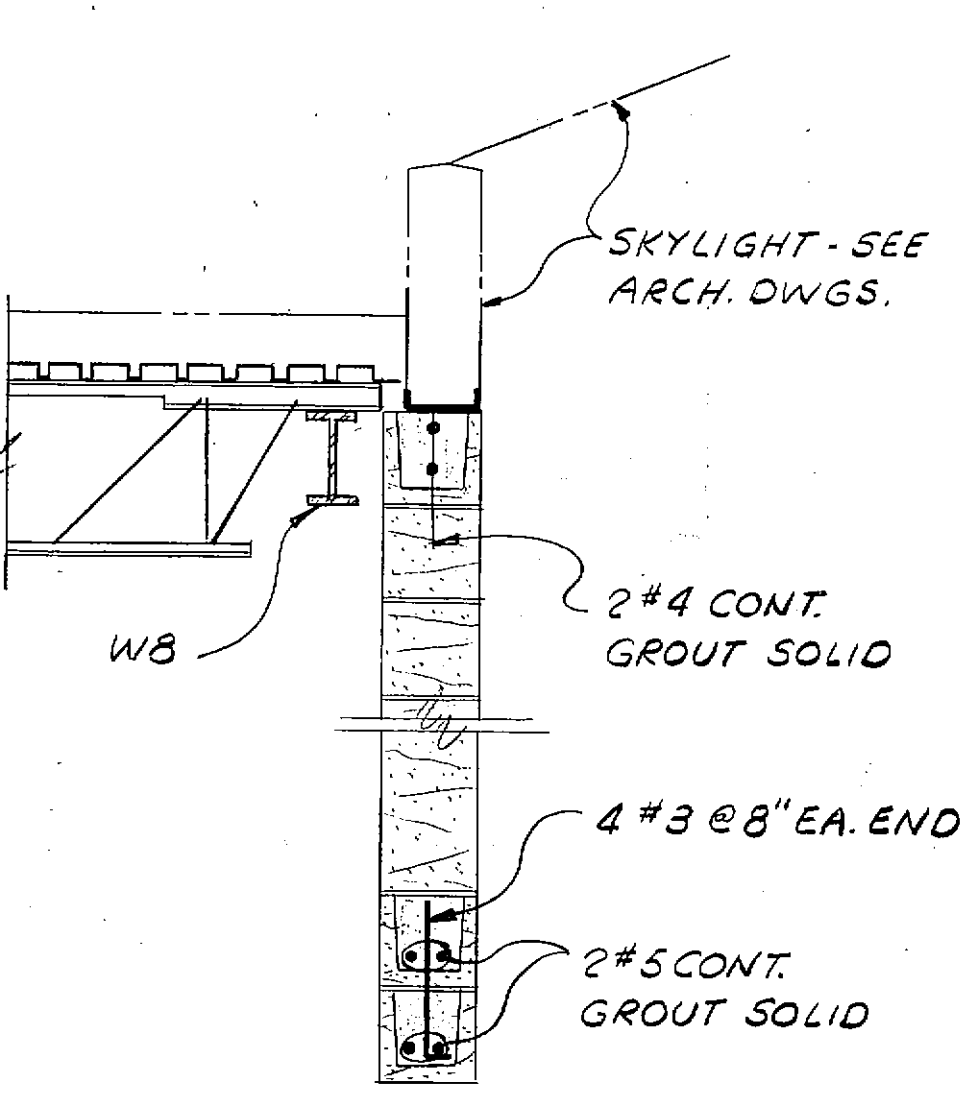
GL
GL' 3/4"=1'-0"



GX
GX' 3/4"=1'-0"

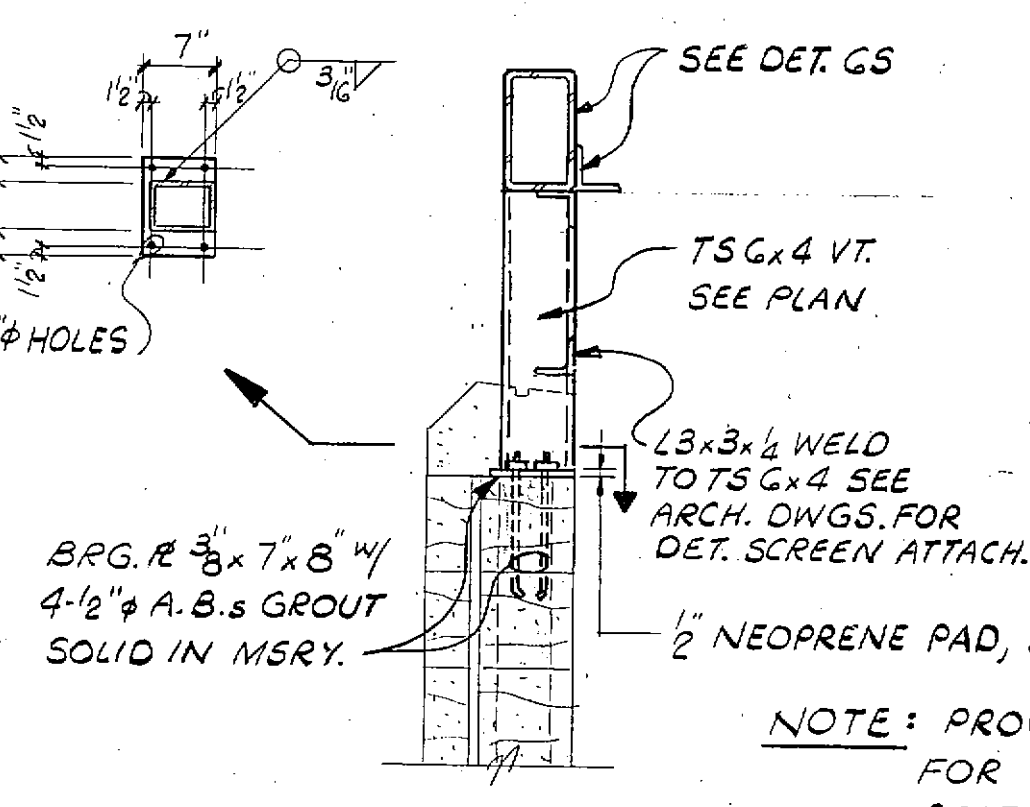


GY
GY' 3/4"=1'-0"

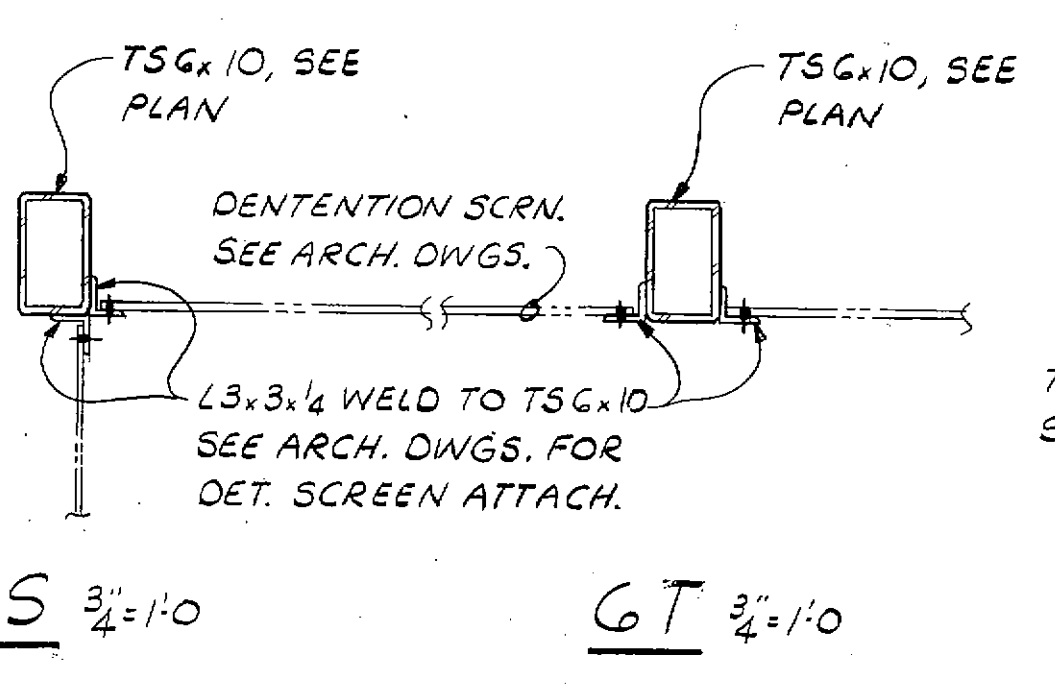


GZ
GZ' 3/4"=1'-0"

GU
GU' 3/4"=1'-0"

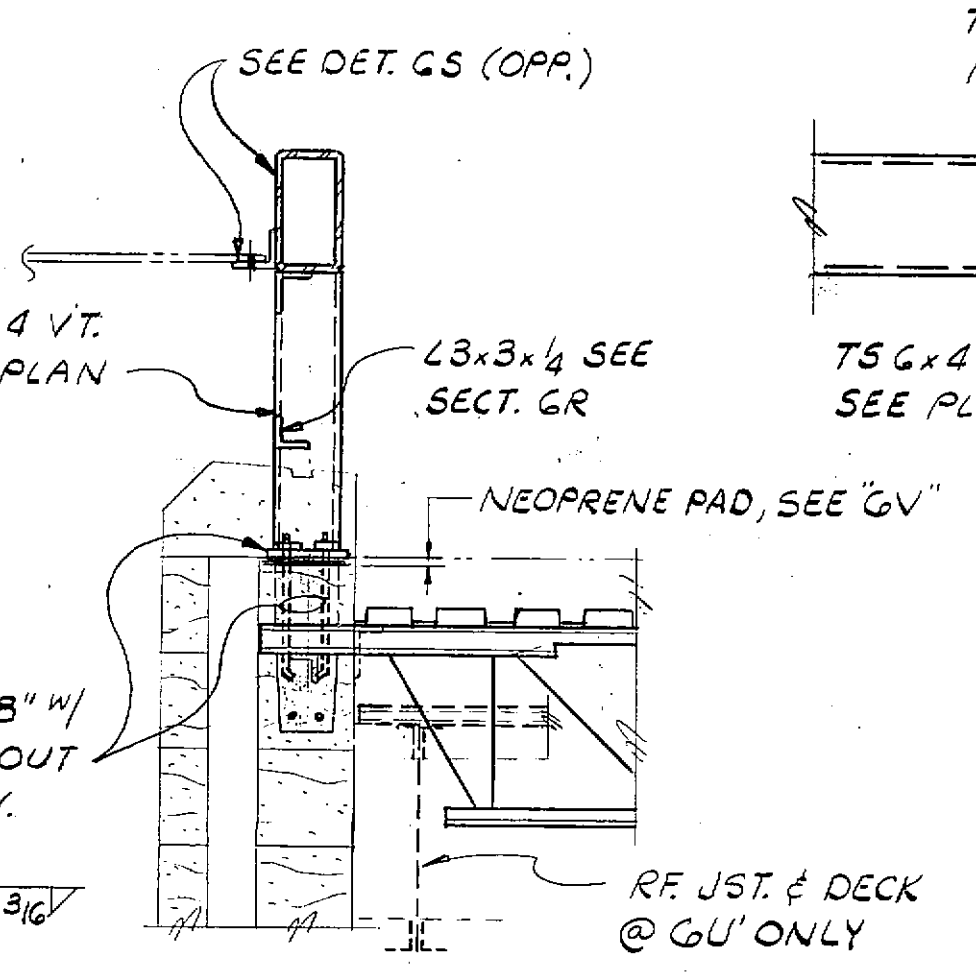


GR
GR' 3/4"=1'-0"

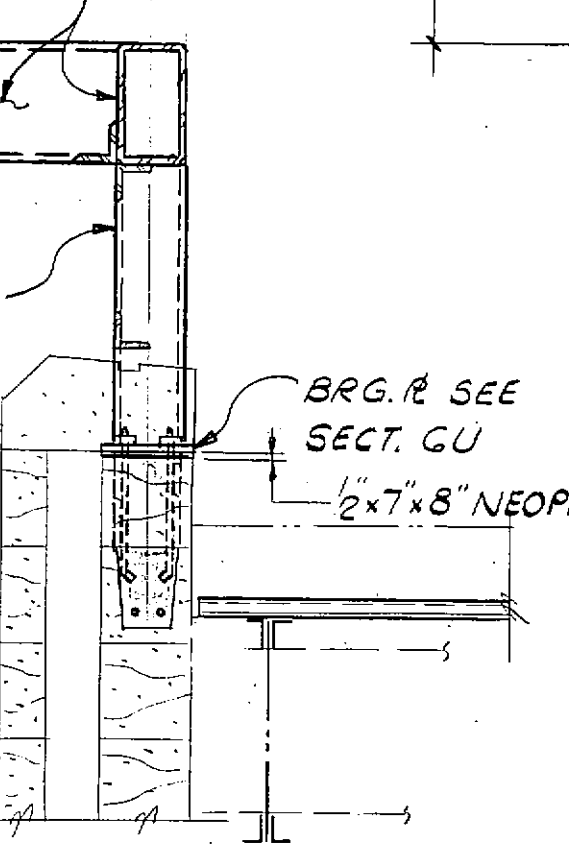


GS
GS' 3/4"=1'-0"

GT
GT' 3/4"=1'-0"



GU
GU' 3/4"=1'-0"



GV
GV' 3/4"=1'-0"

These drawings are the property of Siebold, Sydow and Elfanbaum, Inc. They are furnished as contract documents only and are not to be duplicated, in full or in part, for any other purpose without our specific approval.

FRANKLIN COUNTY ADULT JAIL
UNION, MISSOURI

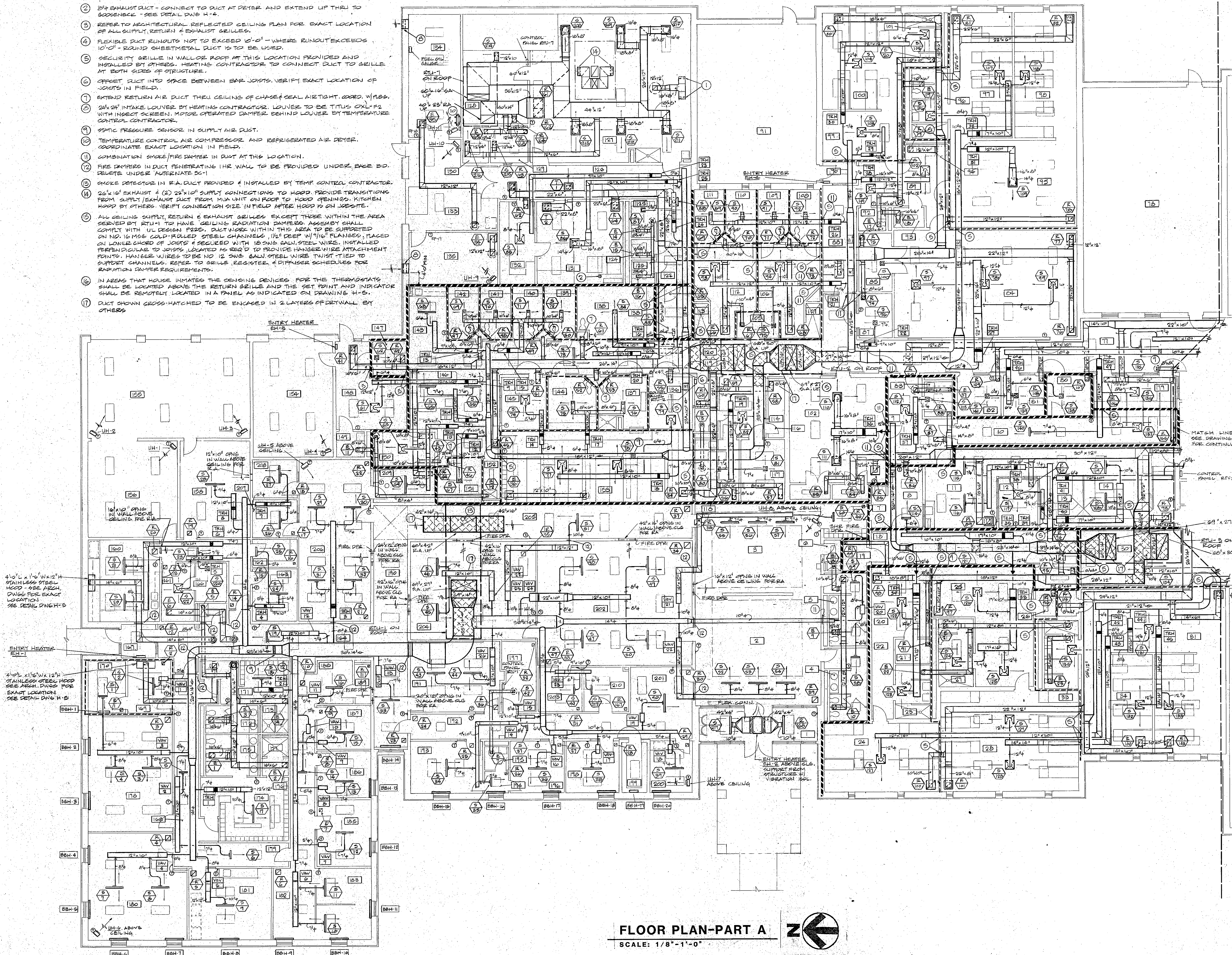
PEARCE CORPORATION
One Mercantile Center
St. Louis, Missouri 63101
Siebold, Sydow & Elfanbaum Inc.
Structural Engineers
Colton/Lester/Niederhorn Associates, Inc.
Mechanical & Electrical Engineers
Walker McGough Foltz Lyerla, P.S.
Security Consultants

DRAWN BY
LW/P
CHECKED BY
LW
REVISED
3-22-85
PROJ. NO.
84-07-1-00
DATE

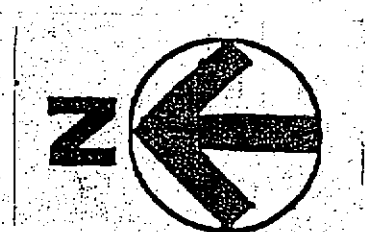
KEYED NOTES

- 1 16" DIA STAINLESS STEEL EXHAUST DUCT. CONNECT TO 16" DIA DUCTS ABOVE CEILING PROVIDED BY KITCHEN EQUIP CONTRACTOR. EXTEND AS SHOWN TO EXHAUST FAN ON ROOF. ALL DUCTWORK FROM DISHWASHER TO FAN TO BE STAINLESS STEEL FULLY WELDED.
- 2 8" EXHAUST DUCT - CONNECT TO DUCT AT DECK AND EXTEND UP THRU TO GODENBECK - SEE DETAIL DWG H-4.
- 3 REFER TO ARCHITECTURAL REFLECTED CEILING PLAN FOR EXACT LOCATION OF ALL SUPPLY, RETURN & EXHAUST GRILLES.
- 4 FLEXIBLE DUCT RUNOUTS NOT TO EXCEED 10'-0" - WHERE RUNOUT EXCEEDS 10'-0" - ROUND SHEETMETAL DUCT IS TO BE USED.
- 5 SECURITY GRILLE IN WALL OF ROOF AT THIS LOCATION PROVIDED AND INSTALLED BY OTHERS. HEATING CONTRACTOR TO CONNECT DUCT TO GRILLE AT BOTH SIDES OF STRUCTURE.
- 6 OFFSET DUCT INTO SPACE BETWEEN BAY JOISTS. VERIFY EXACT LOCATION OF JOISTS IN FIELD.
- 7 EXTEND RETURN AIR DUCT THRU CEILING OF CHASE & SEAL AIR TIGHT. COORD. W/ M.E.
- 8 24" DIA INTAKE LOUVER BY HEATING CONTRACTOR. LOUVER TO BE TITUS OXL-F2 WITH INSECT SCREEN. MOTOR OPERATED DAMPER BEHIND LOUVER BY TEMPERATURE CONTROL CONTRACTOR.
- 9 STATIC PRESSURE SENSOR IN SUPPLY AIR DUCT.
- 10 TEMPERATURE CONTROL AIR COMPRESSOR AND REFRIGERATED AIR DETER. COORDINATE EXACT LOCATION IN FIELD.
- 11 COMBINATION SMOKE/FIRE DAMPER IN DUCT AT THIS LOCATION.
- 12 FIRE DAMPERS IN DUCT PENETRATING IHR WALL TO BE PROVIDED UNDER BASE BID. DELETE UNDER ALTERNATE 55-1.
- 13 SMOKE DETECTOR IN R.A. DUCT PROVIDED & INSTALLED BY TEMP. CONTROL CONTRACTOR.
- 14 26" DIA EXHAUST & (2) 23" DIA SUPPLY CONNECTIONS TO HOOD. PROVIDE TRANSITIONS FROM SUPPLY/EXHAUST DUCT FROM MUA UNIT ON ROOF TO HOOD CEILING. KITCHEN HOOD BY OTHERS. VERIFY CONNECTION SIZE IN FIELD AFTER HOOD IS ON JOISTS.
- 15 ALL CEILING SUPPLY, RETURN & EXHAUST GRILLES EXCEPT THOSE WITHIN THE AREA SERVED BY RTU-1 TO HAVE CEILING RADIATION DAMPERS ASSEMBLY SHALL COMPLY WITH UL DESIGN P225. DUCTWORK WITHIN THIS AREA TO BE SUPPORTED ON NO. 16 MSG GALV-PULLED STEEL CHANNELS, 1/2" DEEP W/ 1/16" FLANGES, PLACED ON LOWER CHORD OF JOISTS & SECURED W/ 18 GAWS GALV STEEL WIRE. INSTALLED PERPENDICULAR TO JOISTS, LOCATED AS REQ'D TO PROVIDE HANGER WIRE ATTACHMENT POINTS. HANGER WIRES TO BE NO. 12 SWS GALV STEEL WIRE TWIST TIED TO SUPPORT CHANNELS. REFER TO GRILLE REGISTER & DIFFUSER SCHEDULES FOR RADIATION DAMPER REQUIREMENTS.
- 16 IN AREAS THAT HOUSE INMATES THE SENSING DEVICES FOR THE THERMOSTATS SHALL BE LOCATED ABOVE THE RETURN GRILLE AND THE SET POINT AND INDICATOR SHALL BE REMOTELY LOCATED IN A PANEL AS INDICATED ON DRAWING H-5.
- 17 DUCT SHOWN CROSS-HATCHED TO BE ENGAGED IN 2 LAYERS OF DETWALL BY OTHERS

ROOM NO.	ROOM NAME	ROOM NO.	ROOM NAME
1	VESTIBULE	136	MATTRESS STORAGE
2	LOBBY	137	DRESSING
3	WAITING	138	MALE CONV. HOLDING
4	WOMEN	139	HOLDING
5	MEH	140	HOLDING
6	JANITOR	141	HOLDING
7	PASSAGE	142	HOLDING
8	VESTIBULE	143	MEDICAL EXAM
9	SALLYPORT	144	FORM. CONV. HOLDING
10	PASSAGE	145	JAILER
11	OPEN OFFICE AREA	146	PROCESSING
12	E.O.C. OFFICE	147	SALLYPORT
13	E.O.C. COMMUNICATIONS	148	LOW LOBBY
14	POLICE COMMUNICATIONS	149	TOILET
15	SALLYPORT	150	LINE UP
16	TOILET	151	DETOK.
17	DAY ROOM	152	JANITOR
18	STORAGE	153	STORAGE/PROP. RM.
19	PASSAGE	154	VEHICLE SALLYPORT
20	TOILET	155	VEHICLE STORAGE
21	FEH, W.R. DOOR	156	VEHICLE PROCESSING
22	DAY ROOM	157	VEHICLE
23	STORAGE	158	LARGE EVIDENCE
24	TOILET	159	PASSAGE
25	MALE W.R. DOOR	160	CRIME LAB
26	MECH.	161	PHOTO LAB LIGHT SIDE
27	CORRIDOR	162	SMALL EVIDENCE
28	DAY ROOM	163	SUPERVISOR
29	STORAGE	164	CORRIDOR
30	TOILET	165	JANITOR
31	MALE TRUSTEE DOOR	166	PHOTO LAB DARK SIDE
32	MAX. MALE DAY ROOM	167	VESTIBULE
33	CORRIDOR	168	PASSAGE
34	OUTDOOR REC. AREA	169	ARMORY
35	VISITING	170	WARDEN'S STORAGE
36	VESTIBULE	171	WOMEN'S LOCKER
37	INTERVIEW	172	WOMEN'S TOILET
38	INTERVIEW	173	SHOWERS
39	KITCHEN	174	MEN'S LOCKER
40	MULTIPURPOSE RM.	175	MEN'S TOILET
41	STORAGE	176	DRY
42	ALCOVE	177	SHOWER
43	CAPTAIN'S OFFICE	178	ROLL CALL
44	PASSAGE	179	PASSAGE
45	PASSAGE	180	EXERCISE
46	VESTIBULE	181	VESTIBULE
47	OUTDOOR REC. AREA	182	REPORT WRITE UP
48	TOILET	183	SENEGANTS
49	JANITOR	184	PASSAGE
50	LAUNDRY	185	SUPERVISOR
51	DAY ROOM	186	CAPTAIN
52	TOILET	187	TRAFFIC
53	MD. FEH. DOOR 1	188	SEC. VESTIB.
54	MD. FEH. DOOR 2	189	STORAGE
55	DAY ROOM	190	CORRIDOR
56	FEH. TRUSTEE DOOR	191	CONFERENCE
57	TOILET	192	PASSAGE
58	STORAGE	193	SHREFF
59	STORAGE	194	VESTIBULE
60	VESTIBULE	195	TOILET
61	DAY ROOM	196	DEPUTY
62	SEGREGATION CELL	197	MECH.
63	SEGREGATION CELL	198	C. R. OFFICE
64	MAXIMUM CELL	199	VALET
65	MAXIMUM CELL	200	FILES/WORKROOM
66	DAY ROOM	201	SEC. Y. RECP.
67	SHOWER	202	OFFICE
68	SHOWER	203	CIVIL FILES
69	WAITING	204	CENTRAL FILES
70	TOILET	205	CORRIDOR
71	STORAGE	206	DETECTIVES
72	WOMEN'S LOCKER	207	INTERVIEW
73	WOMEN'S TOILET	208	WOMEN'S LOCKER
74	WOMEN'S TOILET	209	OBSERVATION
75	WOMEN'S TOILET	210	FILES
76	WOMEN'S TOILET	211	FILES
77	WOMEN'S TOILET	212	FILES
78	WOMEN'S TOILET	213	FILES
79	WOMEN'S TOILET	214	FILES
80	WOMEN'S TOILET	215	FILES
81	WOMEN'S TOILET	216	FILES
82	WOMEN'S TOILET	217	FILES
83	WOMEN'S TOILET	218	FILES
84	WOMEN'S TOILET	219	FILES
85	WOMEN'S TOILET	220	FILES
86	WOMEN'S TOILET	221	FILES
87	WOMEN'S TOILET	222	FILES
88	WOMEN'S TOILET	223	FILES
89	WOMEN'S TOILET	224	FILES
90	WOMEN'S TOILET	225	FILES
91	WOMEN'S TOILET	226	FILES
92	WOMEN'S TOILET	227	FILES
93	WOMEN'S TOILET	228	FILES
94	WOMEN'S TOILET	229	FILES
95	WOMEN'S TOILET	230	FILES
96	WOMEN'S TOILET	231	FILES
97	WOMEN'S TOILET	232	FILES
98	WOMEN'S TOILET	233	FILES
99	WOMEN'S TOILET	234	FILES
100	WOMEN'S TOILET	235	FILES
101	WOMEN'S TOILET	236	FILES
102	WOMEN'S TOILET	237	FILES
103	WOMEN'S TOILET	238	FILES
104	WOMEN'S TOILET	239	FILES
105	WOMEN'S TOILET	240	FILES
106	WOMEN'S TOILET	241	FILES
107	WOMEN'S TOILET	242	FILES
108	WOMEN'S TOILET	243	FILES
109	WOMEN'S TOILET	244	FILES
110	WOMEN'S TOILET	245	FILES
111	WOMEN'S TOILET	246	FILES
112	WOMEN'S TOILET	247	FILES
113	WOMEN'S TOILET	248	FILES
114	WOMEN'S TOILET	249	FILES
115	WOMEN'S TOILET	250	FILES
116	WOMEN'S TOILET	251	FILES
117	WOMEN'S TOILET	252	FILES
118	WOMEN'S TOILET	253	FILES
119	WOMEN'S TOILET	254	FILES
120	WOMEN'S TOILET	255	FILES
121	WOMEN'S TOILET	256	FILES
122	WOMEN'S TOILET	257	FILES
123	WOMEN'S TOILET	258	FILES
124	WOMEN'S TOILET	259	FILES
125	WOMEN'S TOILET	260	FILES
126	WOMEN'S TOILET	261	FILES
127	WOMEN'S TOILET	262	FILES
128	WOMEN'S TOILET	263	FILES
129	WOMEN'S TOILET	264	FILES
130	WOMEN'S TOILET	265	FILES
131	WOMEN'S TOILET	266	FILES
132	WOMEN'S TOILET	267	FILES
133	WOMEN'S TOILET	268	FILES
134	WOMEN'S TOILET	269	FILES
135	WOMEN'S TOILET	270	FILES



FLOOR PLAN-PART A
SCALE: 1/8" = 1'-0"



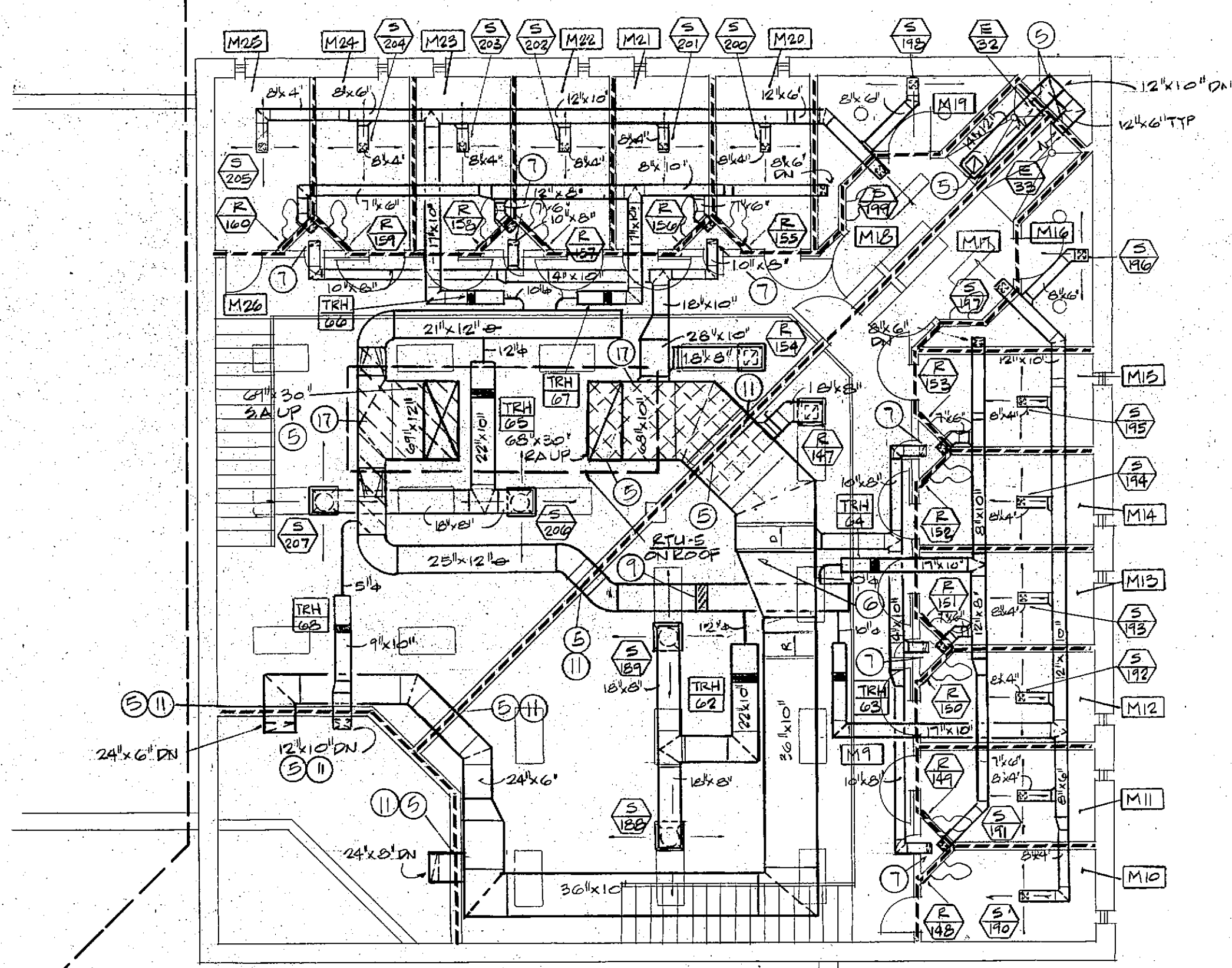
FRANKLIN COUNTY ADULT JAIL
UNION, MISSOURI

PEARCE CORPORATION
One Westville Center
Saint Louis, Missouri 63101

Siebold, Sydow & Effenbaum Inc.
Structural Engineers
Colton/Lester/Niederborn Associates, Inc.
Mechanical & Electrical Engineers
Walker, McLaughlin, Foltz, Lyster, P.S.
Security Consultants

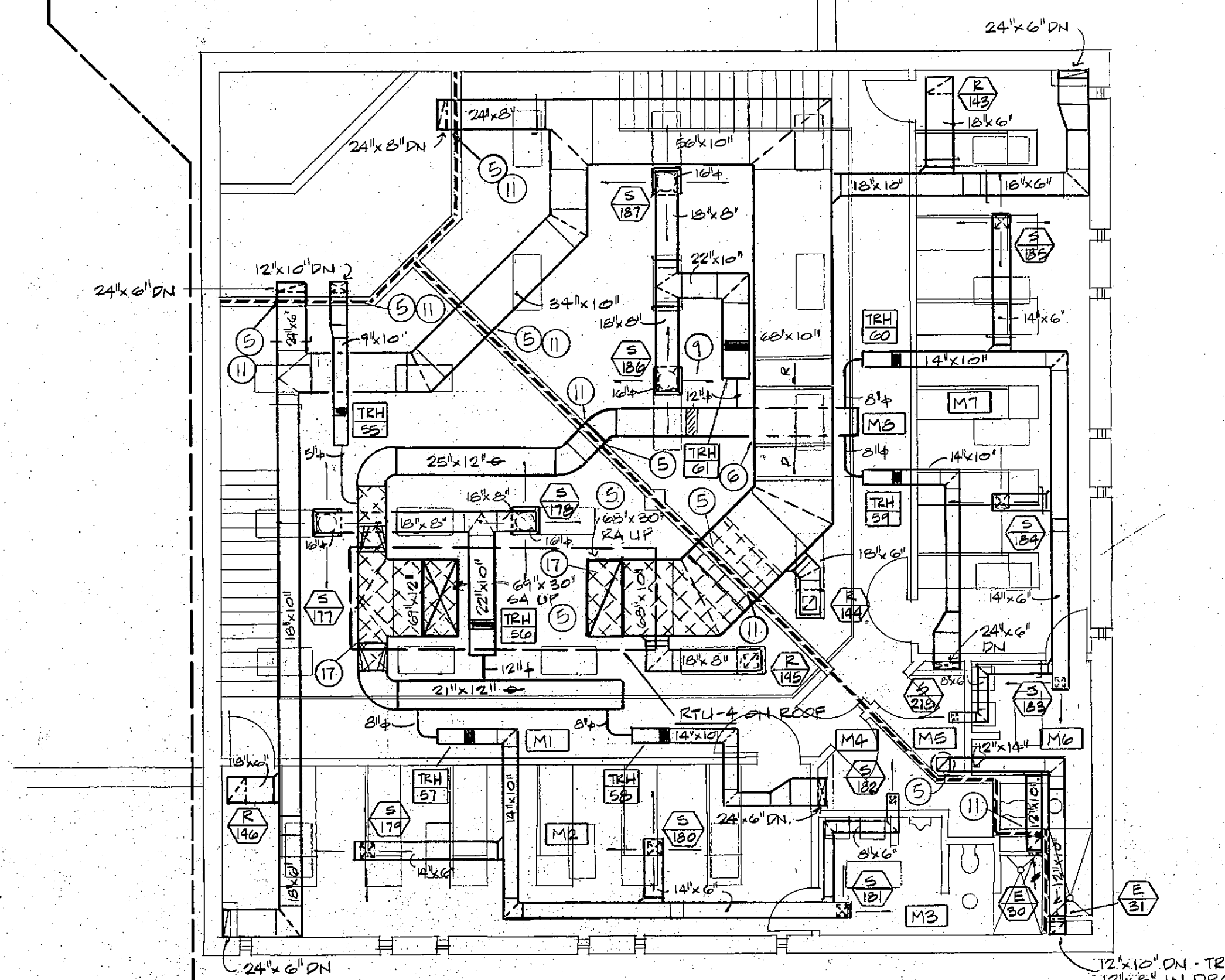
HAROLD COLTON
REGISTERED PROFESSIONAL ENGINEER
STATE OF MISSOURI
NUMBER E-13458

DRAWN BY: RLV
CHECKED BY: CAL
REVISED: _____
PROJ. NO.: 04-07-1-06
DATE: 2-15-05
DRAWING NO.: H-1

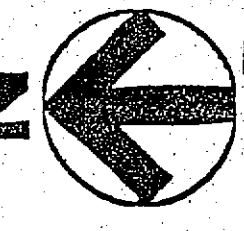


ROOM IDENTIFICATION SCHEDULE

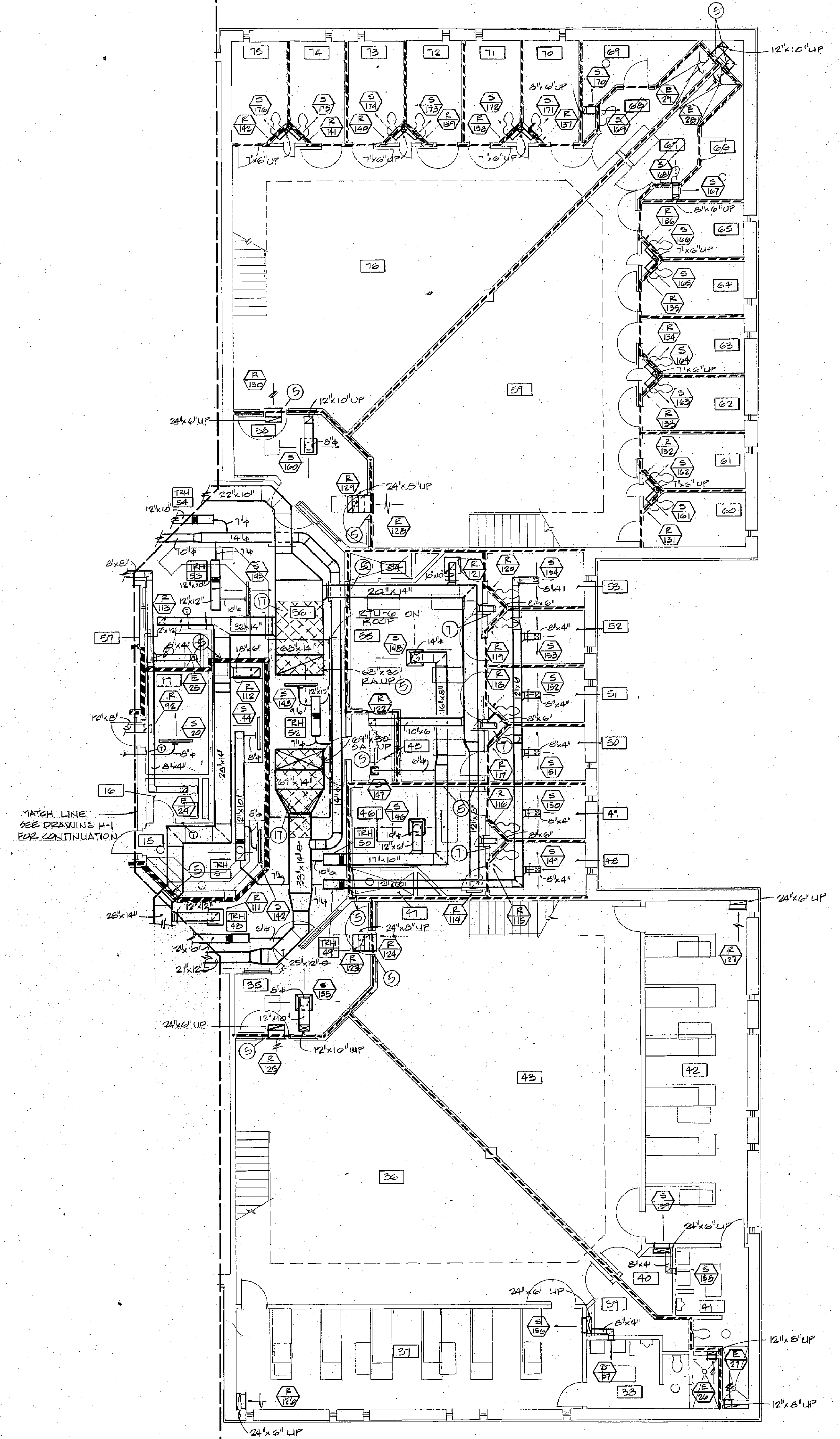
ROOM NO.	ROOM NAME
M1	BALCONY
M2	MED. MALE DORM
M3	TOILET
M4	STORAGE
M5	STORAGE
M6	TOILET
M7	MED. MALE DORM
M8	BALCONY
M9	CELL
M10	CELL
M11	CELL
M12	CELL
M13	CELL
M14	CELL
M15	CELL
M16	STORAGE
M17	TOILET
M18	TOILET
M19	STORAGE
M20	CELL
M21	CELL
M22	CELL
M23	CELL
M24	CELL
M25	BALCONY



MEZZANINE FLOOR PLAN
SCALE: 1/8" = 1'-0"



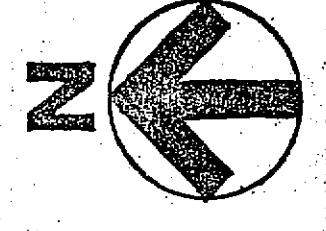
NOTE: SEE DRAWING H-1 FOR KEYED NOTES.



ROOM IDENTIFICATION SCHEDULE

ROOM NO.	ROOM NAME
15	CENTRAL CONTROL
16	TOILET
17	EQUIPMENT
32	VESTIBULE
36	MED. MALE DAY ROOM
37	TOILET
38	MED. MALE DORM
39	STORAGE
40	STORAGE
41	TOILET
42	MED. MALE DORM
43	MED. MALE DAY ROOM
44	CORRIDOR
45	VESTIBULE
46	ISOLATION DAY ROOM
47	SHOWER
48	CELL
49	CELL
50	CELL
51	CELL
52	CELL
53	CELL
54	SHOWER
55	SPEC. MALE DAY ROOM
56	FLOOR CONTROL
57	JANITOR
58	VESTIBULE
59	MED. MALE DAY ROOM
60	CELL
61	CELL
62	CELL
63	CELL
64	CELL
65	CELL
66	STORAGE
67	TOILET
68	TOILET
69	STORAGE
70	CELL
71	CELL
72	CELL
73	CELL
74	CELL
75	CELL

FLOOR PLAN-PART B
SCALE: 1/8" = 1'-0"



FRANKLIN COUNTY ADULT JAIL
UNION, MISSOURI

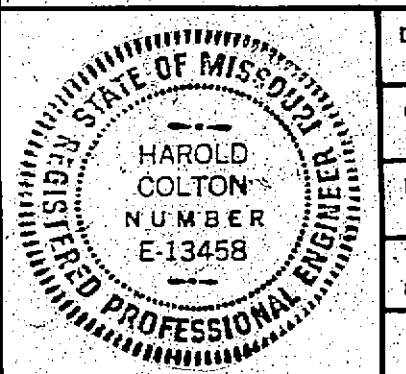


One Mercantile Center
Saint Louis, Missouri 63101

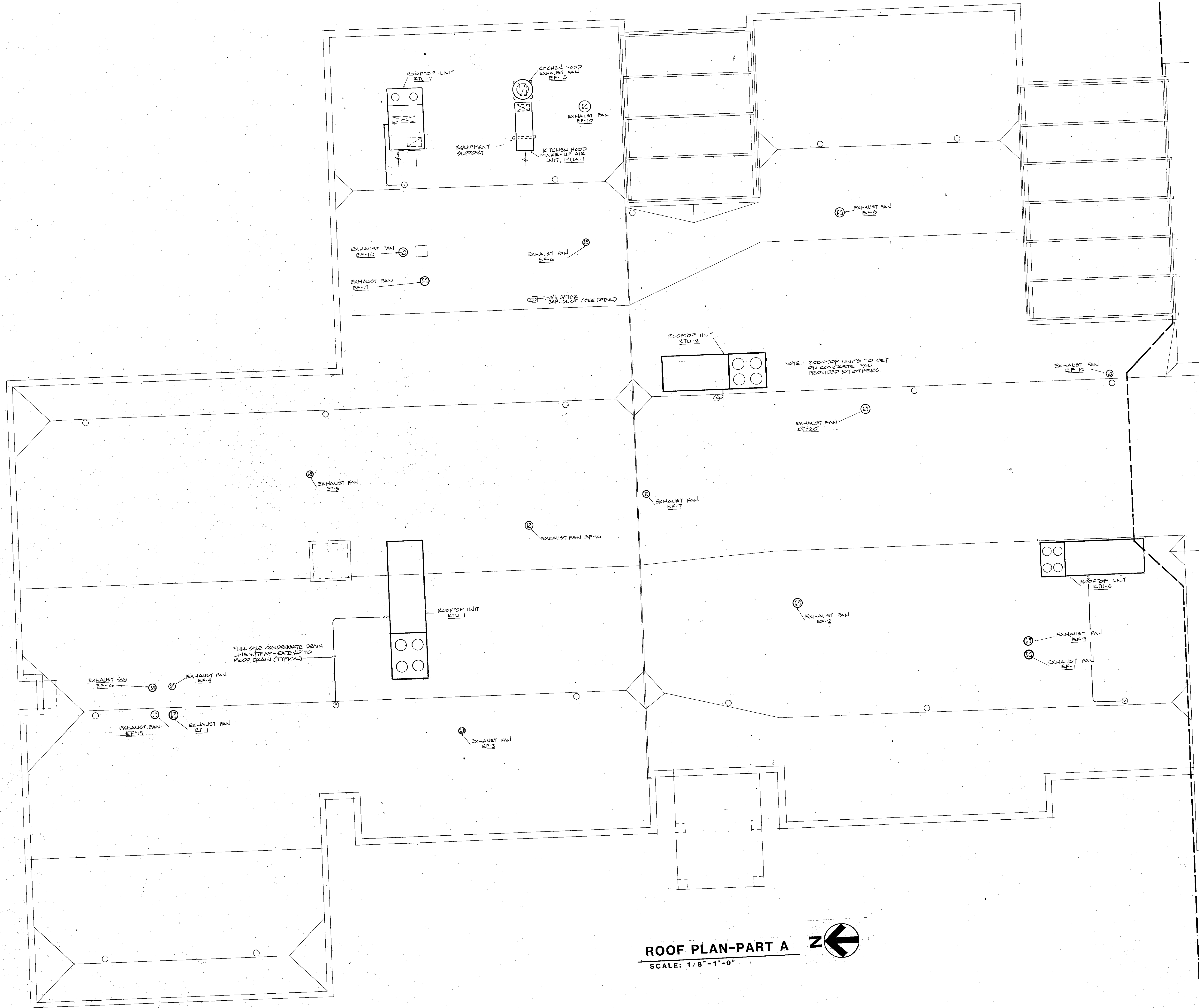
Siebold, Sydow & Eitanbaum Inc.
Structural Engineers

Colton/Lester/Wiederkorn Associates, Inc.
Mechanical & Electrical Engineers

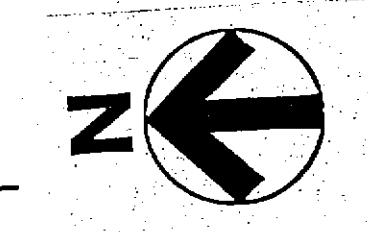
Walker, McGough, Foltz, Lyeria, P.S.
Security Consultants



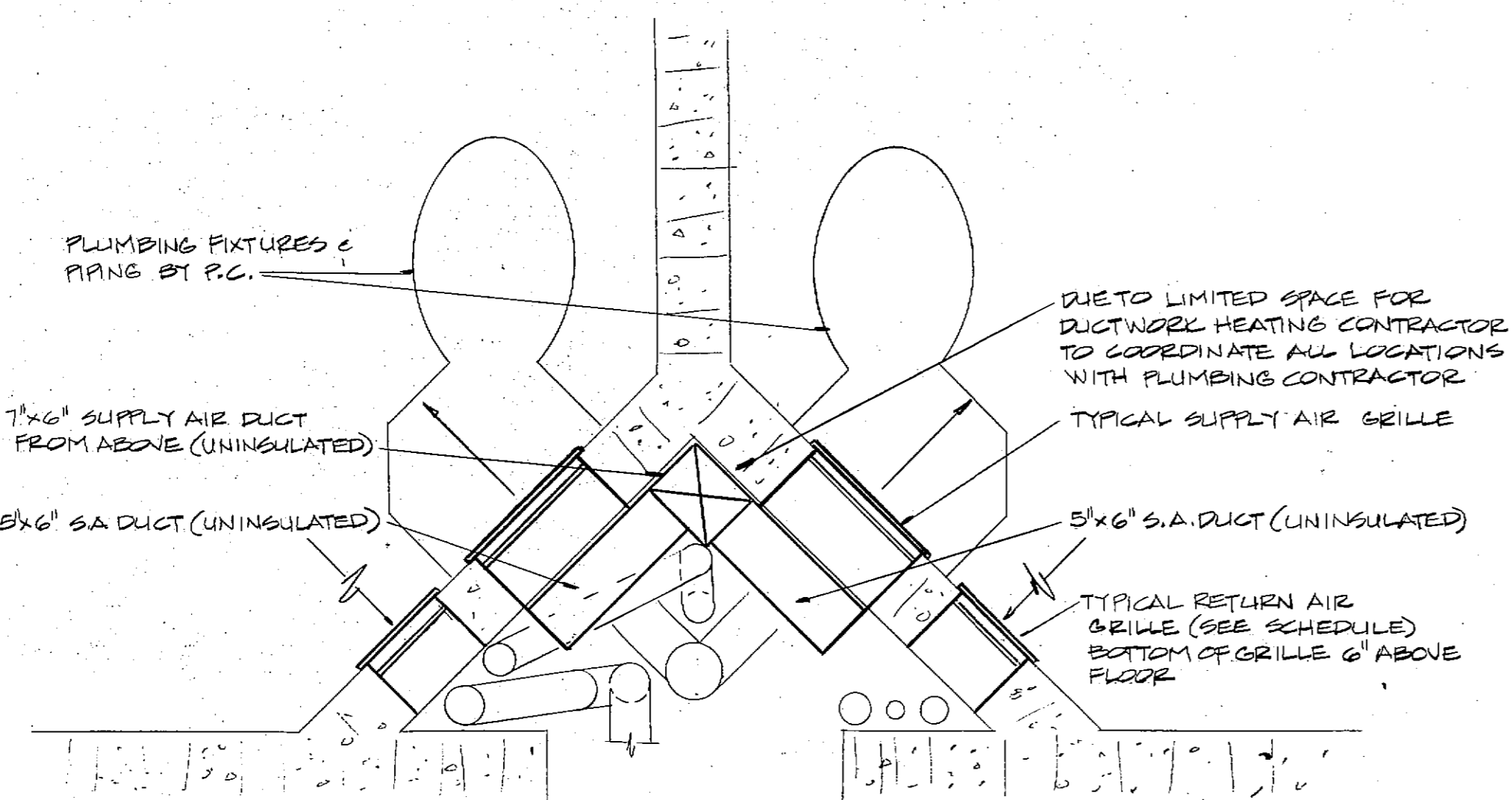
DRAWN BY BJW	H-2
CHECKED BY CAL	
REVISOR	
PROJ. NO. 84-01-1-00	
DATE 5-15-85	DRAWING NO.



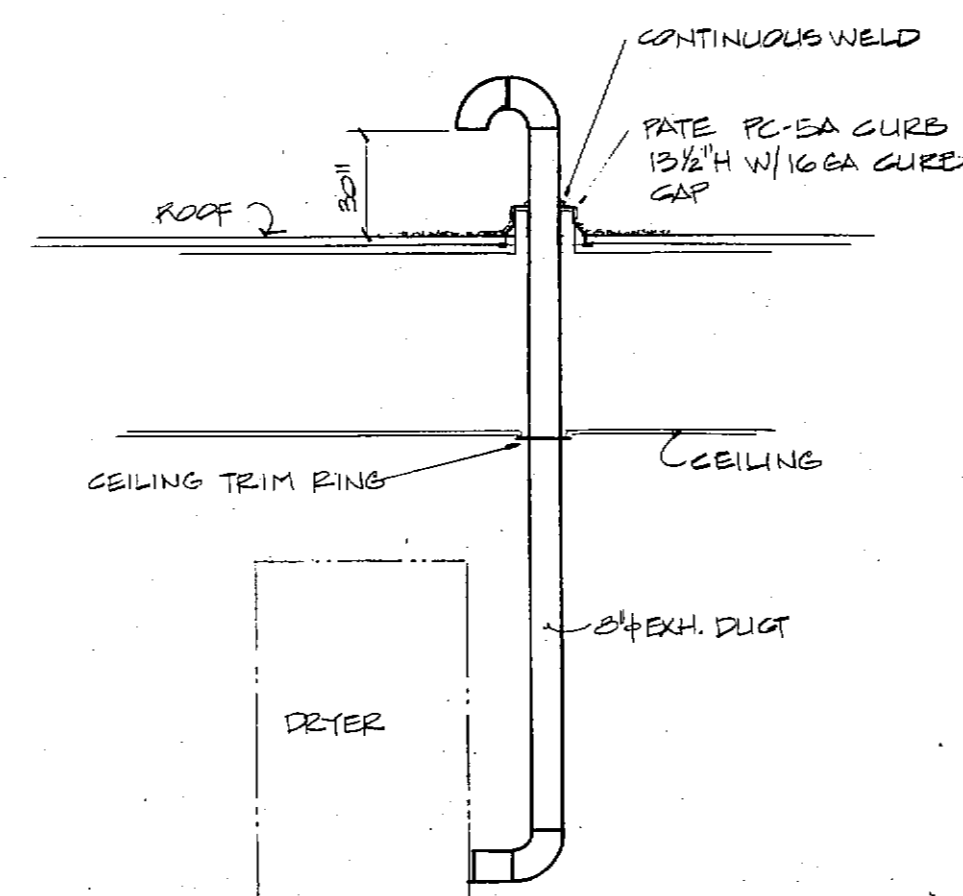
ROOF PLAN-PART A
 SCALE: 1/8"=1'-0"



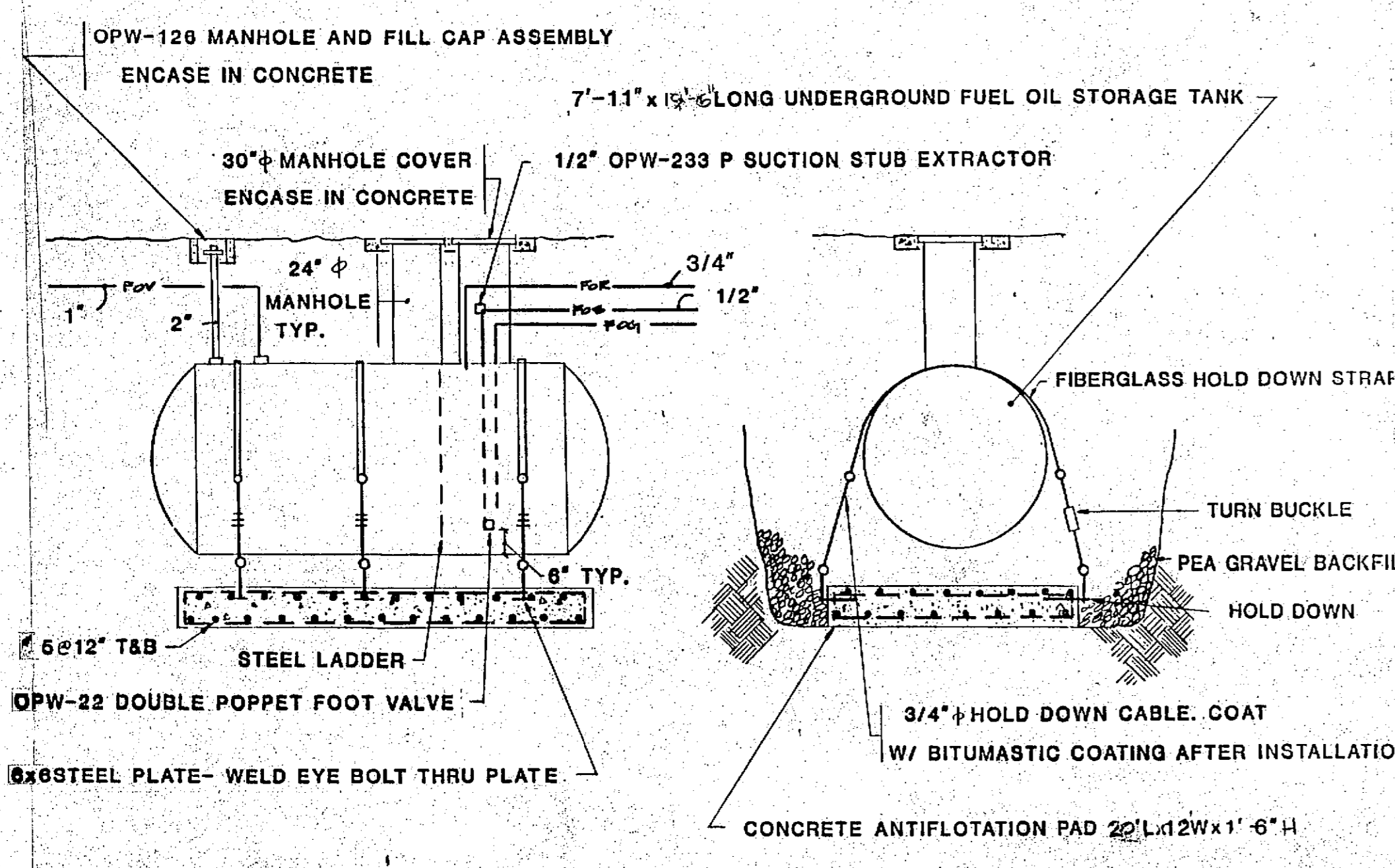
FRANKLIN COUNTY ADULT JAIL UNION, MISSOURI	
PEARCE CORPORATION <small>One Mercantile Center Saint Louis, Missouri 63101</small>	
Siebold, Sydow & Eltenbaum Inc. Structural Engineers Colton/Lester/Niederkm Associates, Inc. Mechanical & Electrical Engineers Walker, McGough, Foltz, Iyeria, P.S. Security Consultants	
DRAWN BY RLV	CHECKED BY CAL
HAROLD COLTON NUMBER E-13458 MISSOURI PROFESSIONAL ENGINEER	H-3
PROJ. NO. 84-07-1.00	DRAWING NO.
DATE 5-15-85	



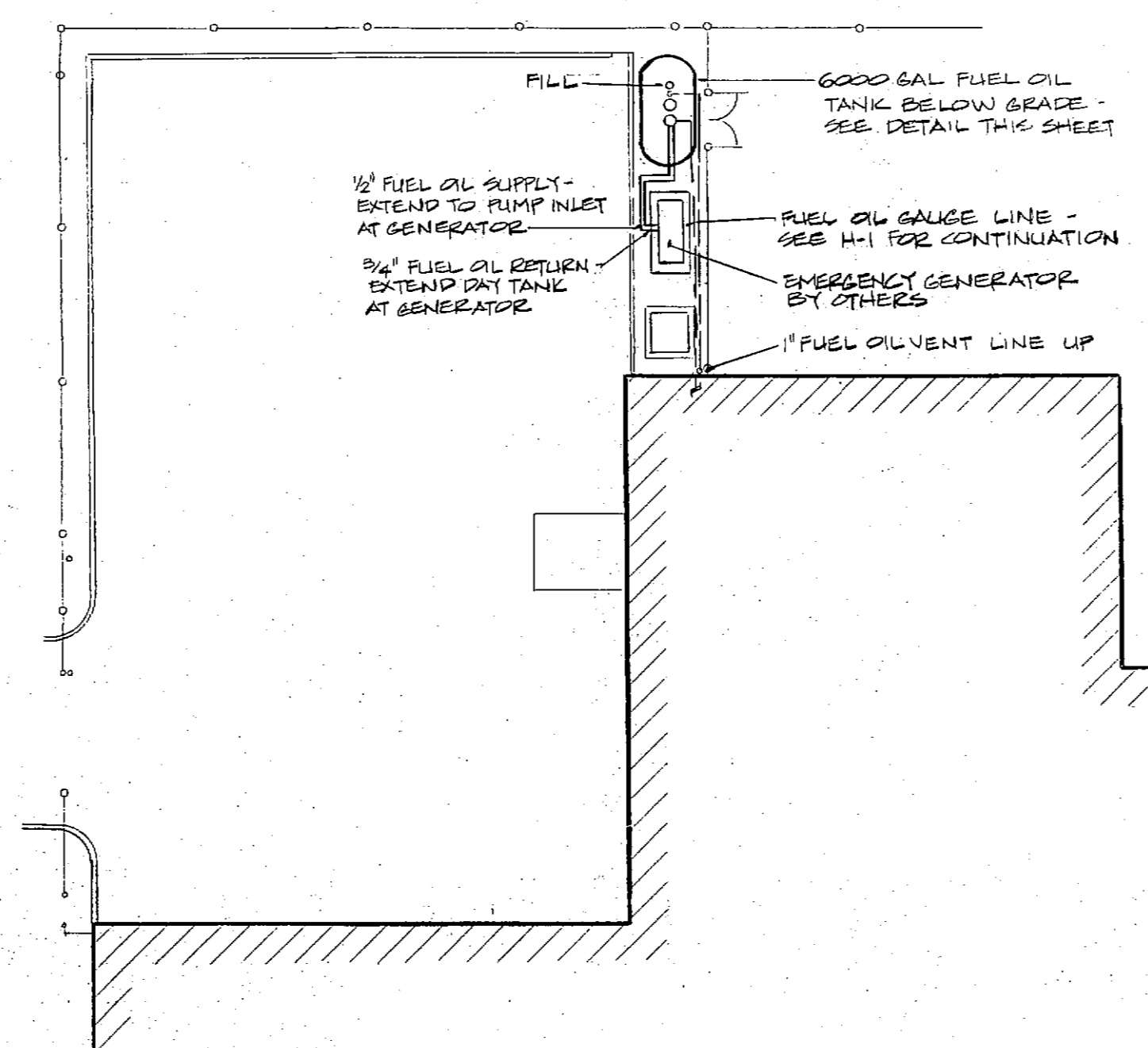
TYPICAL CELL CHASE DETAIL
SCALE: 1" = 1'-0"



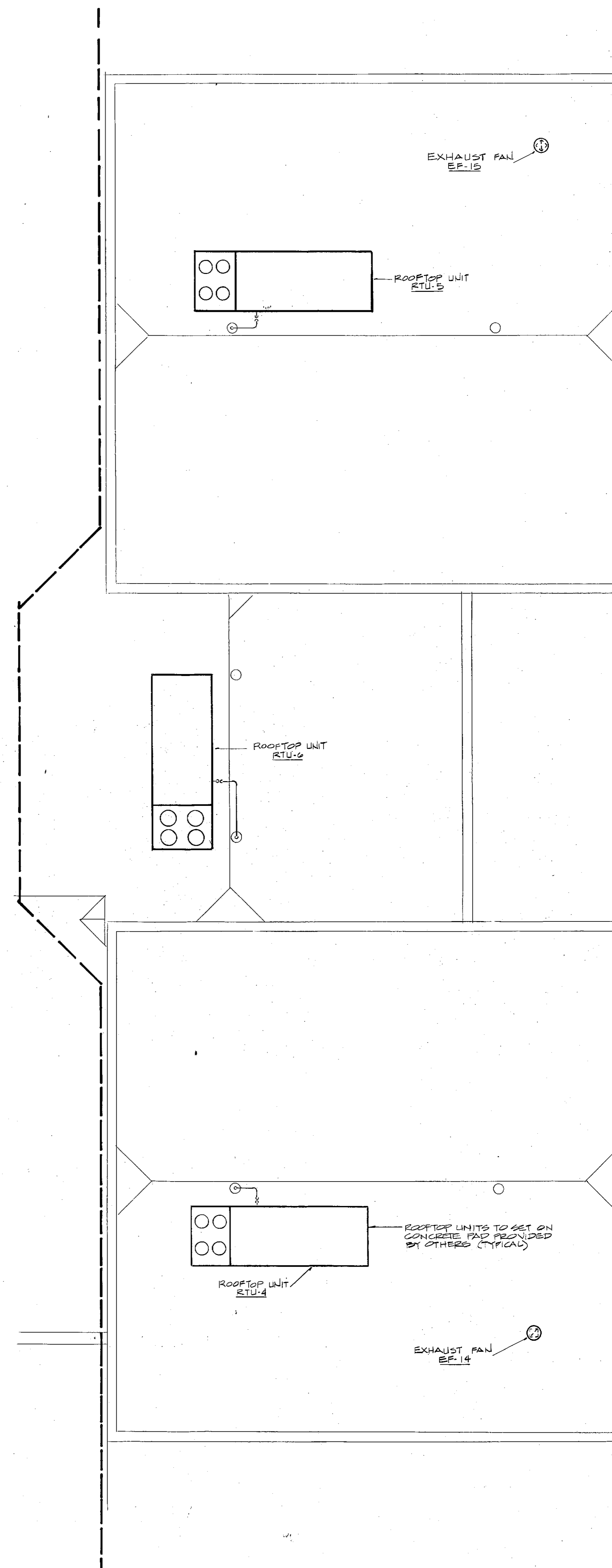
DRYER VENT DETAIL
NO SCALE



FUEL OIL TANK DETAIL
NO SCALE



PARTIAL SITE PLAN
SCALE: 1" = 20'-0"



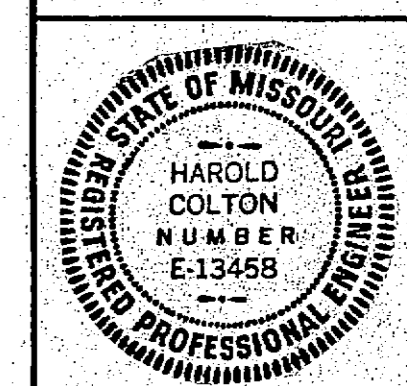
ROOF PLAN-PART B
SCALE: 1/8" = 1'-0"



FRANKLIN COUNTY ADULT JAIL
UNION, MISSOURI

PEARCE CORPORATION
One Mercantile Center
Saint Louis, Missouri 63101

Siebold, Sydow & Eitanbaum Inc.
Structural Engineers
Colton/Lester/Niederhorn Associates, Inc.
Mechanical & Electrical Engineers
Walker, McGough, Foltz, Lyster, P.S.
Security Consultants



DRAWN BY
EJW
CHECKED BY
CAL
REVISOR
HAROLD COLTON
NUMBER
E-13458
PROJ. NO.
84-07.1.00
DATE
12-15-85

H-4

DRAWING NO.

PACKAGED ROOFTOP AIR HANDLING UNIT SCHEDULE

MARK	MANUFACTURER	MODEL	SUPPLY FAN DATA						EXHAUST/RETURN FAN DATA						REFRIGERANT COIL DATA					CONDENSER SECTION DATA			ELECTRIC WARM-UP COIL DATA			REMARKS		
			CFM	FAN RPM	T-SP	DRIVE	HP	VOLT/PH	CFM	FAN RPM	T-SP	DRIVE	HP	VOLT/PH	EAT-DB	EAT-WB	LAT-DB	LAT-WB	TOT MBH	SENS MBH	AMB	VOLT/PH	COMP RLA	COND FLA	MBH		KW	VOLT/PH
RTU-1	TRANE	SAHC-C40	13,000	1080	3.5"	BELT	20	480/3	10,500	670	1.25"	BELT	7 1/2	480/3	79.4	66	55	54	477	312	105	480/3	2.6 31.9	7.2	---	---	---	
RTU-2		SAHC-C30	10,000	1165	3.25"	BELT	15	480/3	8,500	820	1.25"	BELT	7 1/2	480/3	78.0	64.5	55	54	328	235	105	480/3	1.8 46.7	5.4	---	---	---	
RTU-3		SAHC-C20	6,500	1270	3.00"	BELT	10	480/3	5,850	820	1.25"	BELT	5	480/3	77.0	64.1	55	54	193.1	139	105	480/3	1.8 31.9	3.6	---	---	---	
RTU-4		SAHC-C20	6,000	1315	3.25"	BELT	10	480/3	4,950	830	1.25"	BELT	5	480/3	78.6	65.3	55	54	207	143	105	480/3	1.8 38.6	3.6	---	---	---	
RTU-5		SAHC-C20	6,650	1319	3.25"	BELT	15	480/3	5,600	830	1.25"	BELT	5	480/3	78.2	66.3	55	54	252.7	175	105	480/3	1.8 38.6	3.6	---	---	---	
RTU-6		SAHC-C20	7,550	1325	3.25"	BELT	15	480/3	6,800	125	1.50"	BELT	5	480/3	77.0	64.1	55	54	230.1	159	105	480/3	1.8 38.6	3.6	---	---	---	
RTU-7		SEHD-C25	5,250	1050	2.00"	BELT	7 1/2	480/3	2,700	1030	1.00"	BELT	3	480/3	81.0	71.0	55	54.5	287.0	184	95	480/3	1.8 42.9	5.4	341.2	100	480/3	UNIT TO INCLUDE REFRIG. CONDENSER ELECTRIC HEATER, TSTAT, REMOTE CONTROL PANEL, EXHAUST FAN & TYPE "K" COMPRESSORS

ELECTRIC CABINET HEATER SCHEDULE

MARK	MANUFACTURER	MODEL	CFM	KW	BTUH	VOLT/PH	REMARKS
EH-1	CHROMALOX	ANH-4401	170	4	13,850	277/1	INTEGRAL TSTAT #
EH-2	TRANE	DBAE004	400	7.5	25,600	480/3	
EH-3	CHROMALOX	ANH-4401	170	4	13,850	277/1	INTEGRAL TSTAT #
EH-4	CHROMALOX	ANH-4401	170	2	6,820	277/1	INTEGRAL TSTAT #

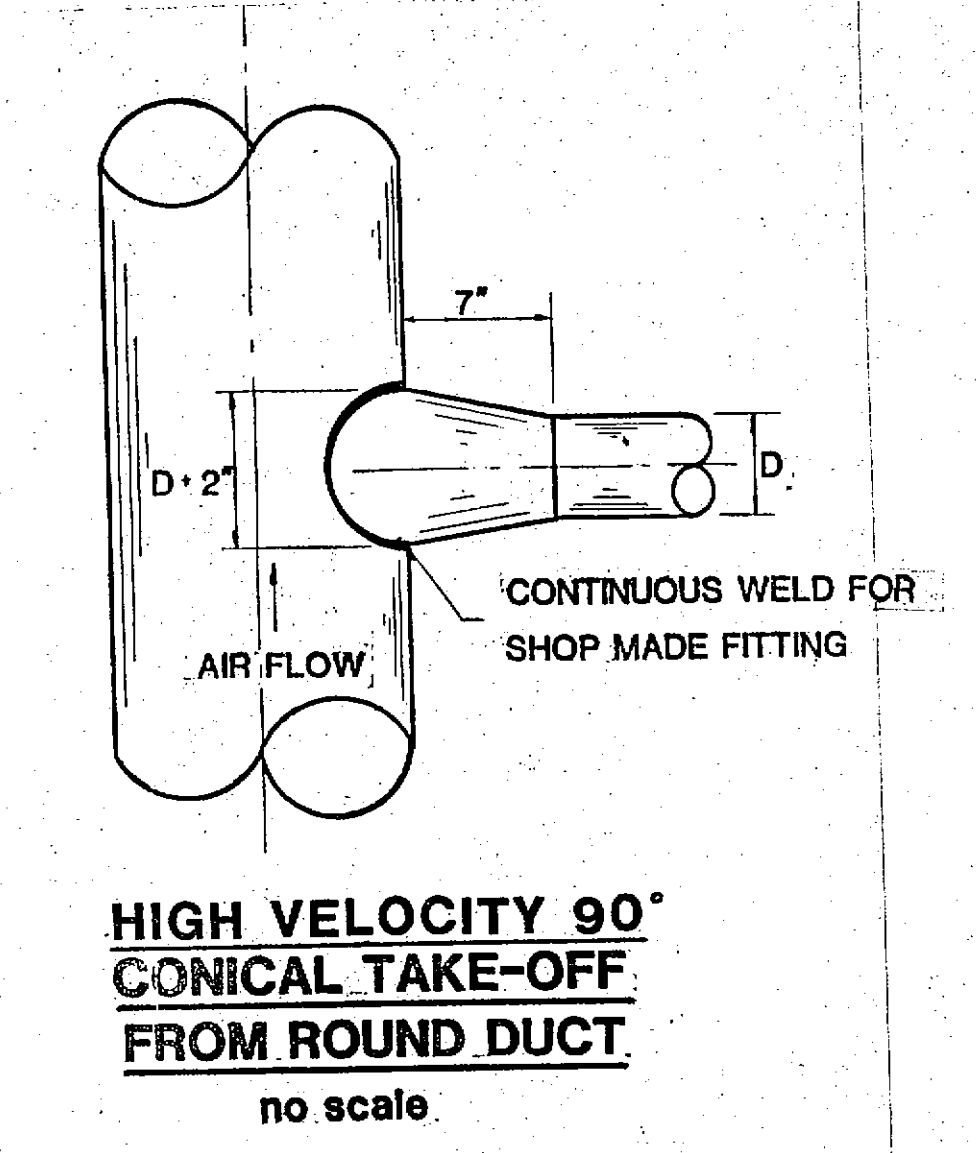
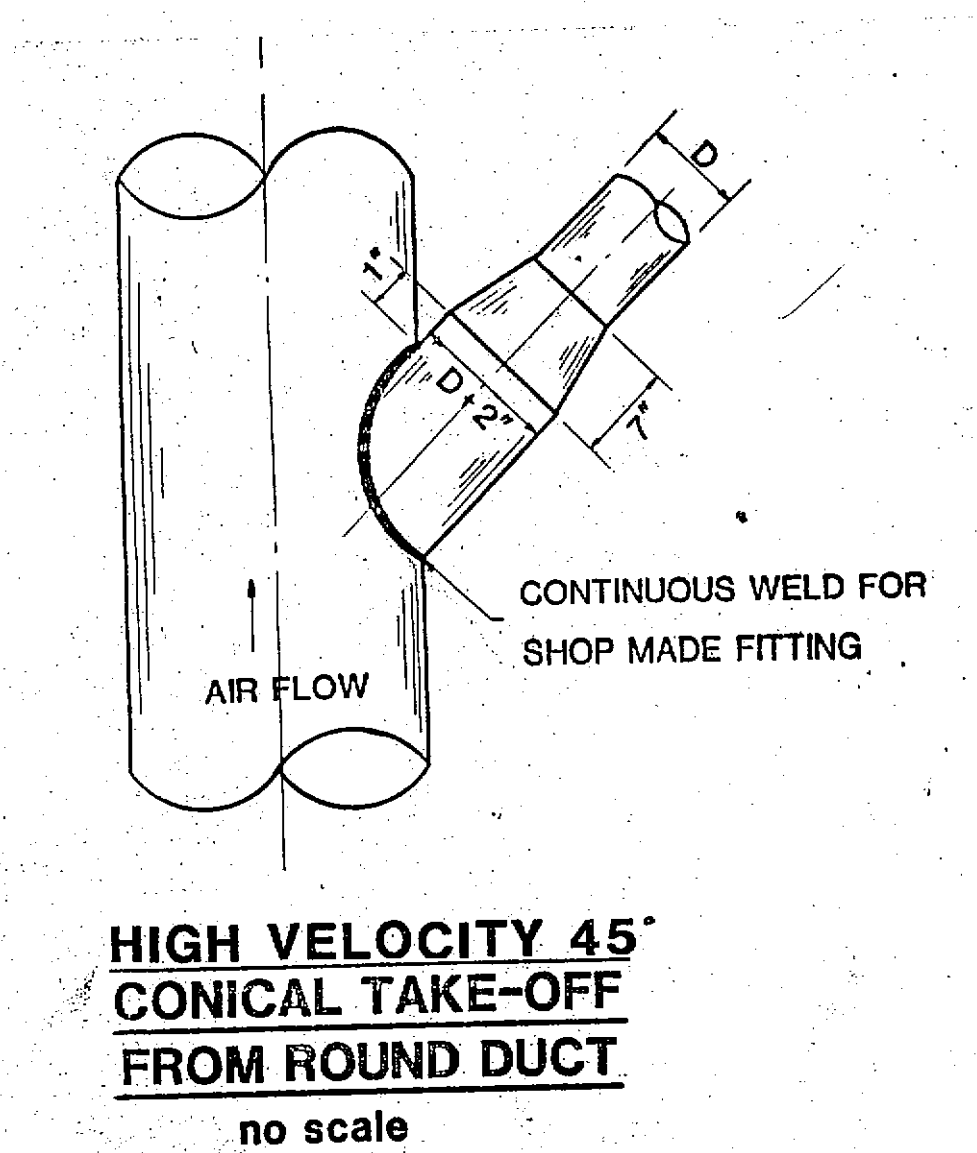
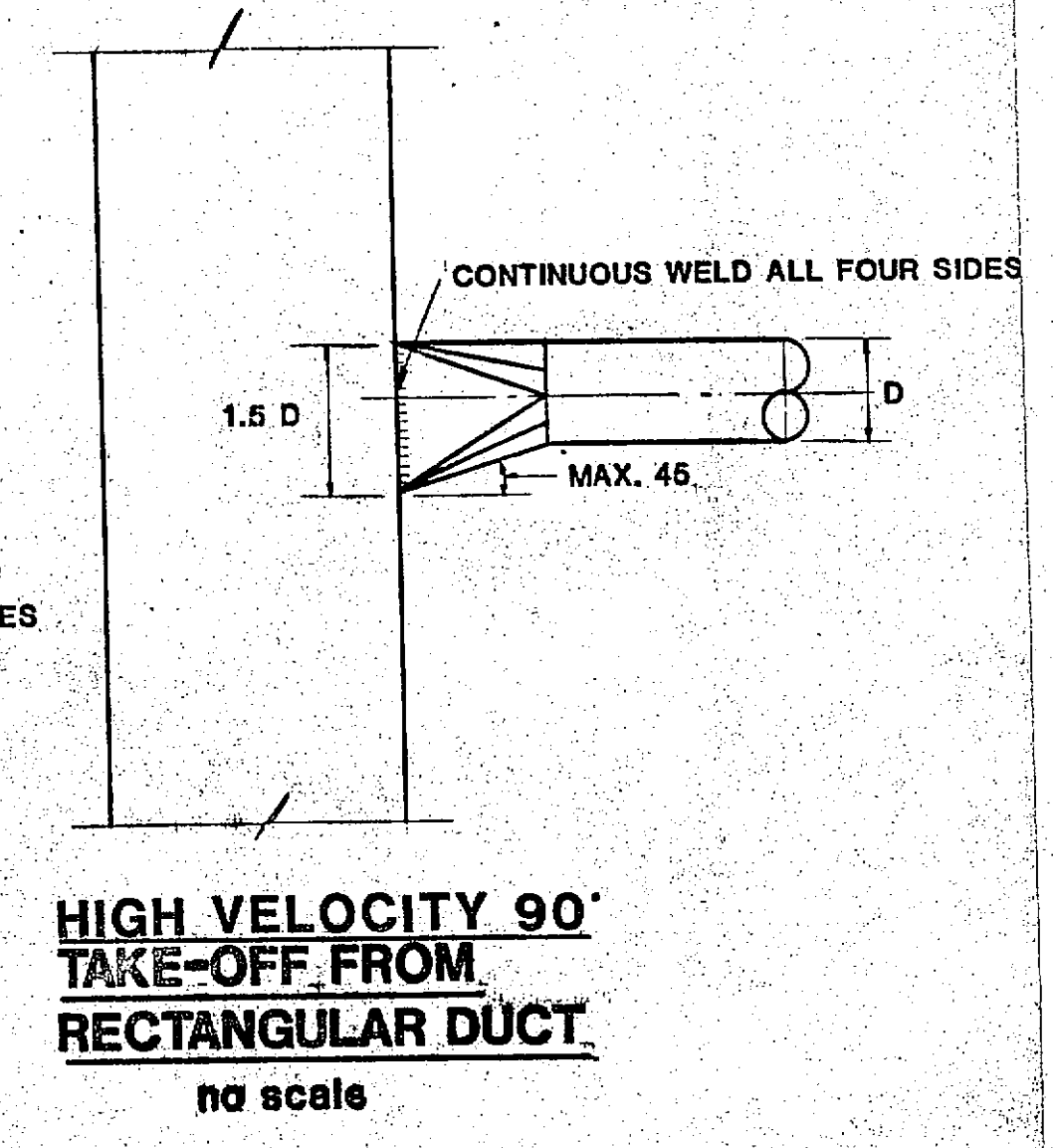
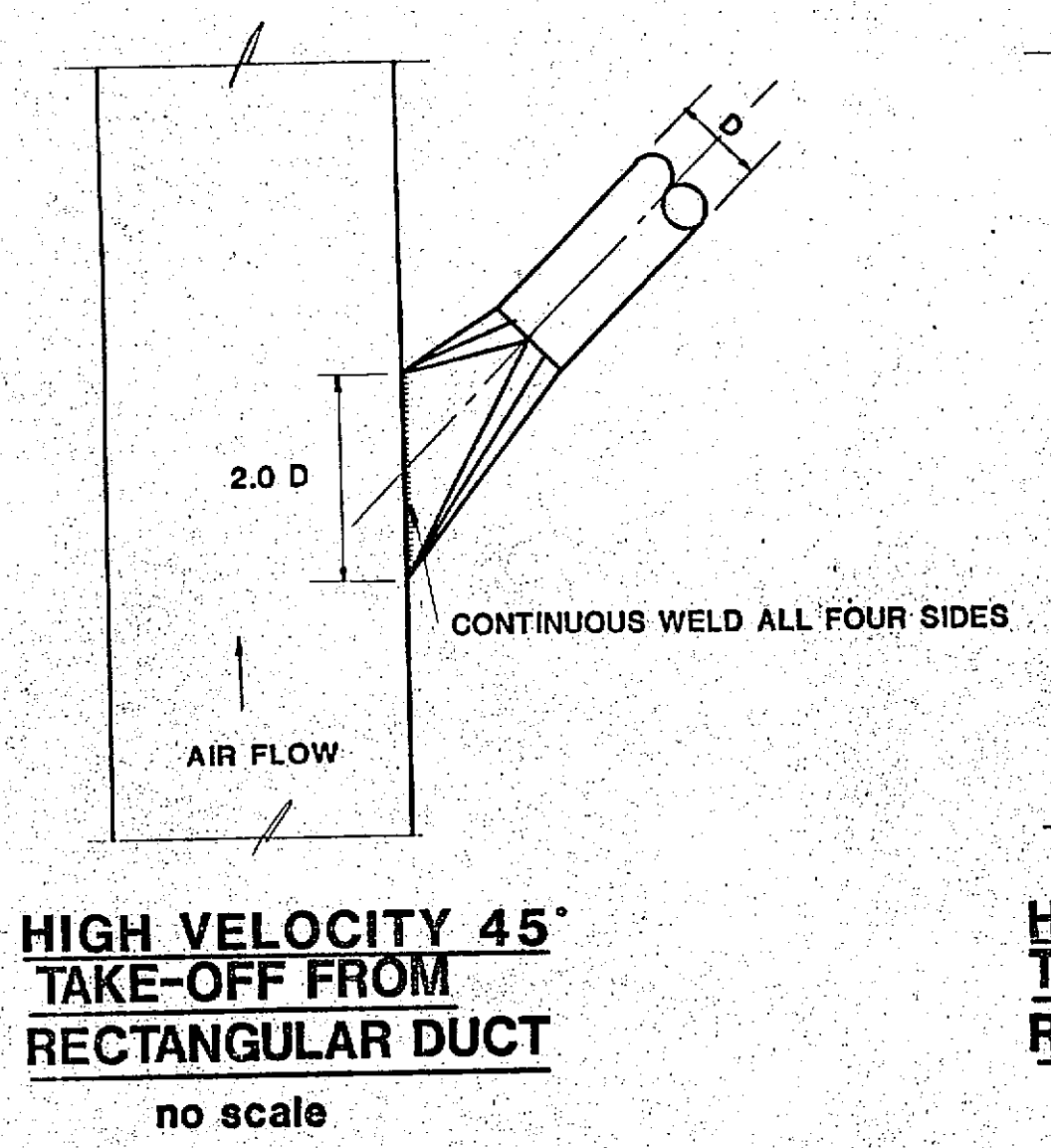
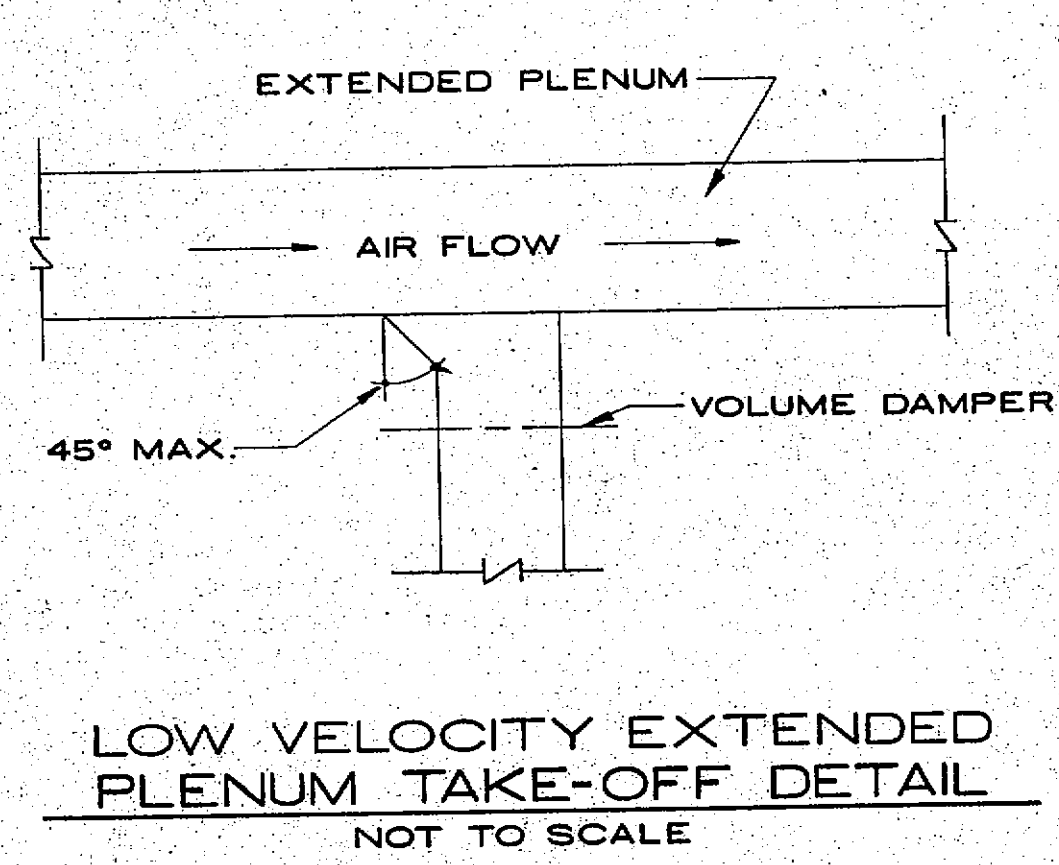
* FURNISHED BY HEATING CONTRACTOR & INSTALLED BY ELECTRIC CONTRACTOR

KITCHEN HOOD MAKE-UP AIR/EXHAUST UNIT SCHEDULE

MARK	MANUFACTURER	MODEL	SUPPLY CFM	SP	HP	HEATER KW	VOLT/PH	EXHAUST CFM	SP	HP	VOLT/PH	REMARKS
MUA-1	SAN-ON-AIR	AHU-2	2600	5"	3/4"	55	480/3	5200	3/4"	1/2"	480/3	SEE SPEC.

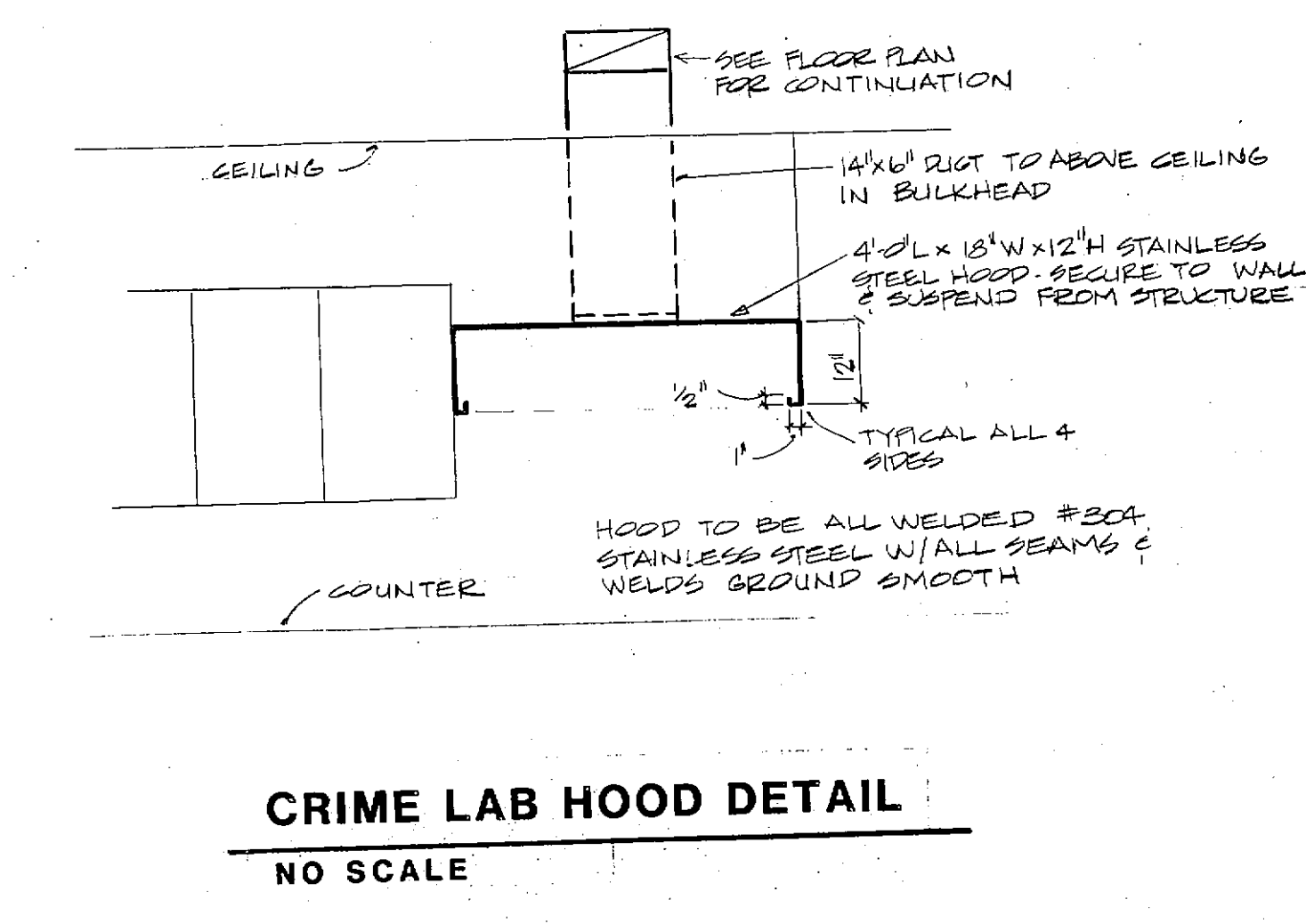
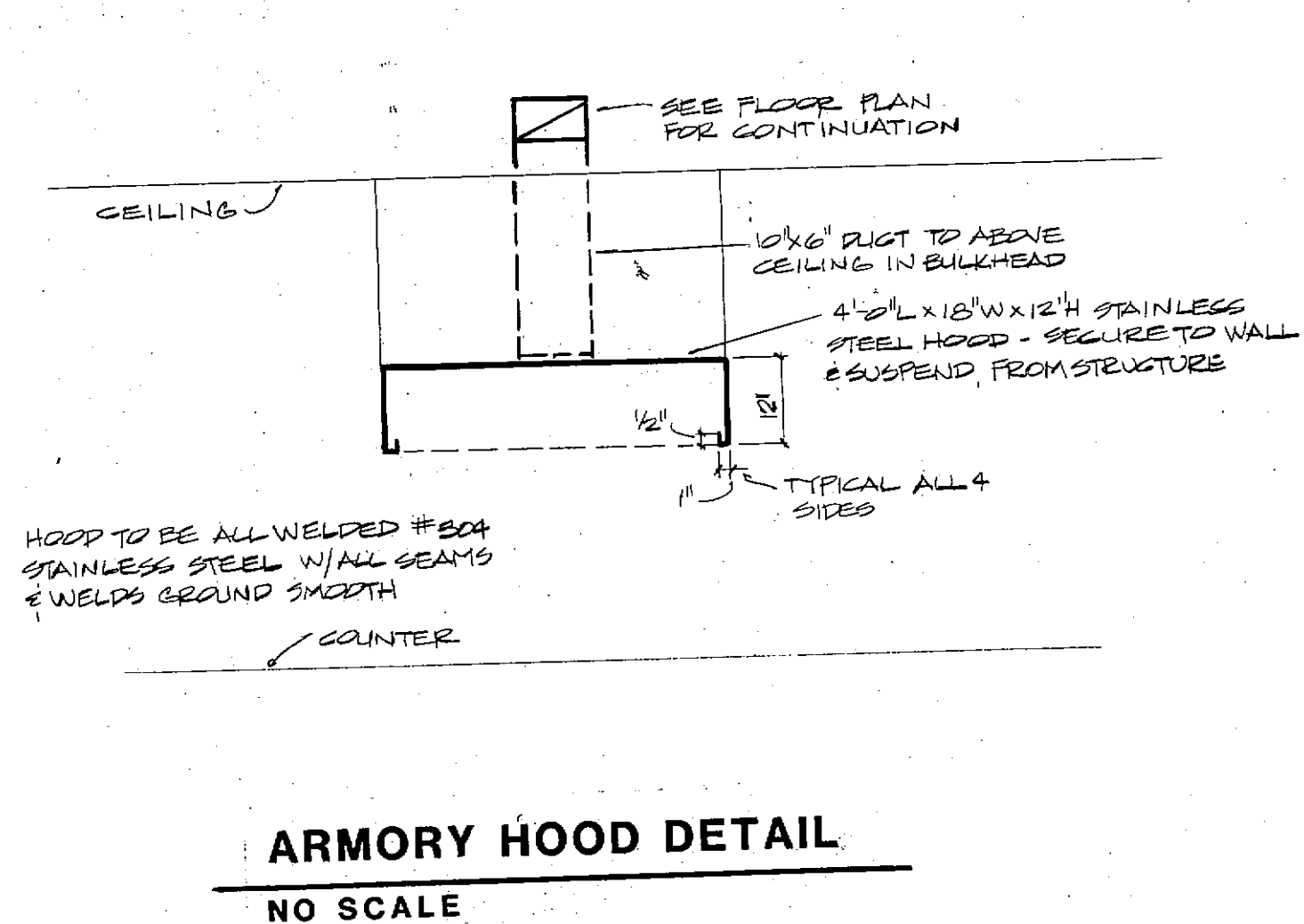
HVAC SYMBOLS & ABBREVIATIONS

- AP ACCESS PANEL
- EH ENTRY HEATER
- EA EXHAUST AIR
- FC FLEXIBLE DUCT CONNECTION
- FD FIRE DAMPER
- GC GENERAL CONTRACTOR
- HC HEATING CONTRACTOR
- OA OUTSIDE AIR
- RA RETURN AIR
- SA SUPPLY AIR
- TEH TERMINAL REHEAT BOX
- UH UNIT HEATER
- VAV VARIABLE AIR VOLUME UNIT
- BBH BASEBOARD HEATER
- GRILLE, REGISTER OR DIFFUSER DESIGNATION
- TERM REHEAT OR VAN BOX DESIGNATION
- KEYED NOTE DESIGNATION
- RECTANGULAR DUCT (FIRST FIGURE IS SIDE SHOWN)
- VOLUME DAMPER
- FLEXIBLE DUCT CONNECTION
- RISE & DROP IN DUCT
- TURNING VANES
- SUPPLY DUCT
- RETURN OR EXHAUST DUCT
- ROUND
- OVAL
- FUEL OIL SUPPLY LINE
- FUEL OIL RETURN LINE
- FUEL OIL VENT LINE
- FUEL OIL GAUGE LINE
- MEDIUM SECURITY WALL
- SECURITY GRILLE IN THESE WALLS PROVIDED BY OTHERS IN OPENINGS GREATER THAN 10'x8' OR 9'x4' H.C. TO CONNECT DUCT TO BOTH SIDES OF GRILLE



REMOTE CONTROLLER SCHEDULE

BOX NO.	SERVES ROOM	TEMP. SENSOR LOCATION	CONTROL LOCATION
TRH-12	151	UTILITY CHASE	ROOM 146
TRH-13	139, 140, 141, 142	UTILITY CHASE	146
TRH-16	138	UTILITY CHASE	146
TRH-17	144, 137	UTILITY CHASE	146
TRH-21	106, 112	R/66	119
TRH-26	138, 109, 110, 111	UTILITY CHASE	119
TRH-27	99	R/80	89
TRH-30	100, 101	R/80	89
TRH-31	95	R/78	89
TRH-32	96, 97, 98	R/82	89
TRH-33	28, 26, 27	R/97	17
TRH-34	20, 21, 22, 23	R/98	15
TRH-42	24	R/100	15
TRH-43	28	R/101	15
TRH-44	31	R/105	15
TRH-45	34	R/102	15
TRH-49	48 - 53	UTILITY CHASE	15
TRH-50	45, 46, 55	R/121	15
TRH-55	35	R/123	15
TRH-56	36	R/125	15
TRH-57	M2	R/146	15
TRH-58	37	R/126	15
TRH-59	42	R/127	15
TRH-60	M1	R/143	15
TRH-61	43	R/124	15
TRH-62	39	R/128	15
TRH-63	M10 - M17	UTILITY CHASE	15
TRH-64	62 - 67	UTILITY CHASE	15
TRH-65	76	R/130	15
TRH-66	M20 - M25	UTILITY CHASE	15
TRH-67	68 - 75	UTILITY CHASE	15
TRH-68	58	R/129	15



FRANKLIN COUNTY ADULT JAIL
UNION, MISSOURI

PEARCE CORPORATION
One Mechanics Center
Saint Louis, Missouri 63101

Siebold, Sydow & Eitanbaum Inc.
Structural Engineers
Colton/Lester/Niederhorn Associates, Inc.
Mechanical & Electrical Engineers
Walker McGough Foltz Lyerla, P.S.
Security Consultants

DRAWN BY: ESN
CHECKED BY: CAL
REVISED:
PROJ. NO.: 84-07.1.00
DATE: 3-15-05
DRAWING NO.: H-5

GRILLES, REGISTERS, & DIFFUSERS SCHEDULE

MARK	MANUFACTURER	MODEL	SIZE	AIR PATTERN	CFM	FINISH	REMARK	CEILING
S-1	TEMPMASTER	TFD-2	24"	4WAY	150	WHITE		LAY-IN
S-2			24"	4WAY	180			
S-3			24"	4WAY	270			
S-4			24"	4WAY	270			
S-5			24"	4WAY	210			
S-6			24"	4WAY	220			
S-7			24"	4WAY	220			
S-8			24"	4WAY	310			
S-9			24"	4WAY	380			
S-10			24"	4WAY	220			
S-11			24"	4WAY	220			
S-12			24"	4WAY	160			
S-13			24"	4WAY	170			
S-14			24"	4WAY	220			
S-15			24"	4WAY	140			
S-16			24"	4WAY	120			
S-17			24"	4WAY	600			
S-18			24"	4WAY	400			
S-19			24"	4WAY	420			
S-20			24"	4WAY	220			
S-21			24"	4WAY	270			
S-22	TITUS	TXS	4"	4WAY	130			STP.BD.
S-23	TEMPMASTER	TFD-2	24"	4WAY	140			LAY-IN
S-24			24"	4WAY	130			
S-25			24"	4WAY	70			
S-26			24"	4WAY	100			
S-27			24"	4WAY	100			
S-28			24"	4WAY	970			
S-29			24"	4WAY	170			
S-30			24"	4WAY	160			
S-31			24"	4WAY	170			
S-32			24"	4WAY	160			
S-33			24"	4WAY	400			
S-34			24"	4WAY	220			
S-35			24"	4WAY	100	TFD-F FRAME		STP.BD.
S-36			24"	4WAY	160			LAY-IN
S-37			24"	4WAY	310			
S-38			24"	4WAY	160			
S-39			24"	4WAY	240			
S-40			24"	4WAY	120			
S-41			24"	4WAY	70			
S-42			24"	4WAY	200			
S-43			24"	4WAY	200			
S-44			24"	4WAY	240			
S-45			24"	4WAY	250			
S-46			24"	4WAY	320			
S-47			24"	4WAY	330			
S-48			24"	4WAY	330			
S-49			24"	4WAY	300			
S-50			24"	4WAY	260			
S-51			24"	4WAY	250			
S-52			24"	4WAY	250	TFD-F FRAME		STP.BD.
S-53			24"	4WAY	260			
S-54			24"	4WAY	260			
S-55			24"	4WAY	200			
S-56			24"	4WAY	210			
S-57			24"	4WAY	210			LAY-IN
S-58			24"	4WAY	280			
S-59			24"	4WAY	280			
S-60			24"	4WAY	90			
S-61	TITUS	TXS	3"	3WAY	370		FRAME 1	STP.BD.
S-62	TITUS	TXS	3"	3WAY	100		FRAME 1	
S-63	TITUS	TXS	2"	2WAY	370		FRAME 1	
S-64	TEMPMASTER	TFD	18"	4WAY	120			LAY-IN
S-65			18"	4WAY	200			
S-66			18"	4WAY	210			
S-67	KRUEGER	1340	6"	4WAY	100		12 GA - FRAME 22	CONC.
S-68	TEMPMASTER	TFD	18"	4WAY	130	WHITE		LAY-IN
S-69	KRUEGER	1340	6"	4WAY	100		12 GA - FRAME 22	CONC.
S-70			6"	4WAY	100			
S-71			6"	4WAY	100			
S-72			6"	4WAY	100			
S-73	TEMPMASTER	TFD	18"	4WAY	600	WHITE		LAY-IN
S-74	TITUS	TXS	2"	2WAY	100		FRAME 1	STP.BD.
S-75	KRUEGER	1340	6"	4WAY	130		12 GA - FRAME 22	CONC.
S-76			6"	4WAY	130		12 GA - FRAME 22	CONC.
S-77	TITUS	TXS	4"	4WAY	200	WHITE	FRAME 3	LAY-IN
S-78			4"	4WAY	190		FRAME 3	LAY-IN
S-79			4"	4WAY	80		FRAME 1	STP.BD.
S-80			4"	4WAY	150		FRAME 1	
S-81			4"	4WAY	150		FRAME 1	
S-82			4"	4WAY	220		FRAME 1	
S-83	KRUEGER	1340	6"	4WAY	100		12 GA - FRAME 22	CONC.
S-84			6"	4WAY	190		12 GA - FRAME 22	
S-85	TITUS	TXS	2"	2WAY	170	WHITE	FRAME 1	STP.BD.
S-86			2"	2WAY	300		FRAME 3	LAY-IN
S-87			2"	2WAY	50		FRAME 1	STP.BD.
S-88			2"	2WAY	230		FRAME 3	LAY-IN
S-89	KRUEGER	1340	6"	4WAY	100		12 GA - FRAME 22	CONC.
S-90			6"	4WAY	100			
S-91			6"	4WAY	150			
S-92			6"	4WAY	100			
S-93			6"	4WAY	100			
S-94	TITUS	TXS	2"	2WAY	270	WHITE	FRAME 1	STP.BD.
S-95			2"	2WAY	270			
S-96			2"	2WAY	160			
S-97	TITUS	TXS	3"	3WAY	400			
S-98			3"	3WAY	400			
S-99			3"	3WAY	400			
S-100			3"	3WAY	100			
S-101			3"	3WAY	440			
S-102			3"	3WAY	200			
S-103			3"	3WAY	200			
S-104			3"	3WAY	400			
S-105			3"	3WAY	100			
S-106			3"	3WAY	180			
S-107			3"	3WAY	430			
S-108			3"	3WAY	430			

GRILLES, REGISTERS, & DIFFUSERS SCHEDULE

MARK	MANUFACTURER	MODEL	SIZE	AIR PATTERN	CFM	FINISH	REMARK	CEILING
S-109	TITUS	TXS	4"	4WAY	600	WHITE	FRAME 1	STP.BD.
S-110			4"	4WAY	480		FRAME 1	
S-111			4"	4WAY	480		FRAME 1	
S-112			4"	2WAY	410			
S-113			4"	1WAY	160			
S-114	TEMPMASTER	TFD	18"	4WAY	270			LAY-IN
S-115			18"	4WAY	280			
S-116			18"	4WAY	240			
S-117	TITUS	TXS	4"	4WAY	200		FRAME 1	STP.BD.
S-118	TEMPMASTER	TFD	18"	4WAY	520			LAY-IN
S-119			18"	4WAY	510			
S-120			18"	4WAY	320			
S-121	TITUS	TXS	2"	2WAY	670		FRAME 1	STP.BD.
S-122			2"	4WAY	540			
S-123			2"	3WAY	220			
S-124			2"	2WAY	140			
S-125			2"	3WAY	480			
S-126			2"	4WAY	440			
S-127			2"	4WAY	400			
S-128			2"	3WAY	370			
S-129			2"	3WAY	260			
S-130			2"	4WAY	510			
S-131			2"	3WAY	400			
S-132			2"	3WAY	400			
S-133			2"	3WAY	250		FRAME 3	LAY-IN
S-134			2"	3WAY	450			LAY-IN
S-135	TEMPMASTER	TFD-2	24"	4WAY	170		FRAME 1	LAY-IN
S-136	TITUS	TXS	2"	2WAY	180		FRAME 3	LAY-IN
S-137	TITUS	TXS	2"	2WAY	110		FRAME 1	STP.BD.
S-138	TITUS	TXS	4"	4WAY	110		FRAME 1	STP.BD.
S-139	TITUS	TXS	4"	4WAY	110		FRAME 1	STP.BD.
S-140	TEMPMASTER	TFD	18"	4WAY	200		FRAME 1	LAY-IN
S-141	TITUS	TXS	4"	4WAY	110		FRAME 1	STP.BD.
S-142	TEMPMASTER	TFD	18"	4WAY	300			LAY-IN
S-143			18"	4WAY	450			
S-144			18"	4WAY	300			
S-145			18"	4WAY	610			
S-146	TITUS	TXS	4"	4WAY	300		FRAME 1	STP.BD.
S-147			4"	1WAY	100		FRAME 1	
S-148			4"	4WAY	500		FRAME 1	
S-149	KRUEGER	1340	6"	4WAY	100		12 GA - FRAME 22	CONC.
S-150			6"	4WAY	100			
S-151			6"	4WAY	100			
S-152			6"	4WAY	100			
S-153			6"	4WAY	100			
S-154			6"	4WAY	100			
S-155	TITUS	TXS	2"	2WAY	150	WHITE	FRAME 1	STP.BD.
S-156	KRUEGER	1310-S	12"	3WAY	550		8" WALL - CONG. WALL	CONC. WALL
S-157			12"	3WAY	150			
S-158			12"	3WAY	150			
S-159			12"	3WAY	550			
S-160	TITUS	TXS	2"	2WAY	150	WHITE	FRAME 1	STP.BD.
S-161	KRUEGER	1310-S	12"	3WAY	100		8" WALL - CONG. WALL	CONC. WALL
S-162			12"	3WAY	100			
S-163			12"	3WAY	100			
S-164			12"	3WAY	100			
S-165			12"	3WAY	100			
S-166			12"	3WAY	100			
S-167	TITUS	272-FLS	6"	6"	100	WHITE	8" WALL - CONG. WALL	CONC. WALL
S-168	KRUEGER	1310-S	12"	3WAY	150		8" WALL - CONG. WALL	CONC. WALL
S-169	KRUEGER	1310-S	12"	3WAY	150		8" WALL - CONG. WALL	CONC. WALL
S-170	TITUS	272-FLS	6"	6"	100	WHITE	8" WALL - CONG. WALL	CONC. WALL
S-171	KRUEGER	1310-S	12"	3WAY	100		8" WALL - CONG. WALL	CONC. WALL
S-172			12"	3WAY	100			
S-173			12"	3WAY	100			
S-174			12"	3WAY	100			
S-175			12"	3WAY	100			
S-176	TITUS	TXS	4"	4WAY	750	WHITE	FRAME 1	STP.BD.
S-177	TITUS	TXS	4"	4WAY	750	WHITE	FRAME 1	STP.BD.
S-178	KRUEGER	1340	12"	4WAY	280		12 GA - FRAME 22	CONC.
S-179			12"	4WAY	270			
S-180			12"	2WAY	150			
S-181			6"	3WAY	100			
S-182			6"	2WAY	150			
S-183			12"	4WAY	270			
S-184			12"	4WAY	280			
S-185	TITUS	TXS	4"	4WAY	750	WHITE	FRAME 1	STP.BD.
S-186			4"	4WAY	750			
S-187			4"	4WAY	750			
S-188			4"	4WAY	750			
S-189			4"	4WAY	750			
S-190	KRUEGER	1340	6"	4WAY	100		12 GA - FRAME 22	CONC.
S-191			6"	4WAY	100			
S-192			6"	4WAY	100			
S-193			6"	4WAY	100			
S-194			6"	4WAY	100			
S-195			6"	4WAY	100			
S-196			6"	4WAY	100			
S-197			6"	1WAY	150			
S-198			6"	4WAY	100			
S-199			6"	1WAY	150			
S-200			6"	4WAY	100			
S-201			6"	4WAY	100			
S-202			6"	4WAY	100			
S-203								

GRILLES, REGISTERS, & DIFFUSERS SCHEDULE

MARK	MANUFACTURER	MODEL	SIZE	AIR PATTERN	CFM	FINISH	REMARK	CEILING
R-15	TITUS	4FLS	8x8	---	150	WHITE	---	---
R-16	---	---	---	---	100	---	---	---
R-17	---	---	---	---	310	---	---	---
R-18	---	---	---	---	220	---	---	---
R-19	---	---	---	---	50	---	---	---
R-100	---	---	---	---	400	---	---	---
R-101	---	---	---	---	750	---	---	---
R-102	---	---	---	---	400	---	---	---
R-103	---	---	---	---	400	---	---	---
R-104	---	---	---	---	400	---	---	---
R-105	---	---	---	---	380	---	---	---
R-106	---	---	---	---	170	---	---	---
R-107	---	---	---	---	110	---	---	---
R-108	---	---	---	---	110	---	---	---
R-109	---	---	---	---	110	---	---	---
R-110	---	---	---	---	450	---	---	---
R-111	---	---	---	---	600	---	---	---
R-112	---	---	---	---	500	---	---	---
R-113	---	---	---	---	440	---	---	---
R-114	---	---	---	---	300	---	---	---
R-115	KRIEGER	BIOR	8x8	---	100	WHITE	---	---
R-116	---	---	---	---	100	---	---	---
R-117	---	---	---	---	100	---	---	---
R-118	---	---	---	---	100	---	---	---
R-119	---	---	---	---	100	---	---	---
R-120	---	---	---	---	100	---	---	---
R-121	TITUS	TXR	24x12	---	300	WHITE	---	---
R-122	---	---	---	---	100	---	---	---
R-123	---	---	---	---	100	---	---	---
R-124	KRIEGER	BIOR	24x12	---	750	WHITE	---	---
R-125	---	---	---	---	440	---	---	---
R-126	---	---	---	---	440	---	---	---
R-127	---	---	---	---	750	---	---	---
R-128	TITUS	TXR	24x12	---	150	WHITE	---	---
R-129	KRIEGER	BIOR	24x12	---	750	WHITE	---	---
R-130	---	---	---	---	100	---	---	---
R-131	---	---	---	---	100	---	---	---
R-132	---	---	---	---	100	---	---	---
R-133	---	---	---	---	100	---	---	---
R-134	---	---	---	---	100	---	---	---
R-135	---	---	---	---	100	---	---	---
R-136	---	---	---	---	100	---	---	---
R-137	---	---	---	---	100	---	---	---
R-138	---	---	---	---	100	---	---	---
R-139	---	---	---	---	100	---	---	---
R-140	---	---	---	---	100	---	---	---
R-141	---	---	---	---	100	---	---	---
R-142	---	---	---	---	100	---	---	---
R-143	---	---	---	---	440	---	---	---
R-144	TITUS	TXR	24x12	---	750	WHITE	---	---
R-145	TITUS	TXR	24x12	---	750	WHITE	---	---
R-146	KRIEGER	BIOR	24x12	---	440	---	---	---
R-147	TITUS	TXR	24x12	---	750	WHITE	---	---
R-148	KRIEGER	BIOR	8x8	---	100	WHITE	---	---
R-149	---	---	---	---	100	---	---	---
R-150	---	---	---	---	100	---	---	---
R-151	---	---	---	---	100	---	---	---
R-152	---	---	---	---	100	---	---	---
R-153	---	---	---	---	100	---	---	---
R-154	TITUS	TXR	24x12	---	750	WHITE	---	---
R-155	KRIEGER	BIOR	8x8	---	100	WHITE	---	---
R-156	---	---	---	---	100	---	---	---
R-157	---	---	---	---	100	---	---	---
R-158	---	---	---	---	100	---	---	---
R-159	---	---	---	---	100	---	---	---
R-160	TITUS	TXR	24x12	---	2500	WHITE	---	---
R-161	---	---	---	---	2500	---	---	---
R-162	---	---	---	---	150	---	---	---
R-163	---	---	---	---	300	---	---	---
R-164	---	---	---	---	50	---	---	---
R-165	---	---	---	---	340	---	---	---
R-166	TITUS	4FLS	12x12	---	110	WHITE	---	---
R-167	---	---	---	---	400	---	---	---
R-168	TEMPMASTER	TFD-2	24x12	---	400	WHITE	---	---
T-1	TITUS	TXR	24x12	---	500	WHITE	---	---
T-2	TITUS	TXR	24x12	---	500	WHITE	---	---

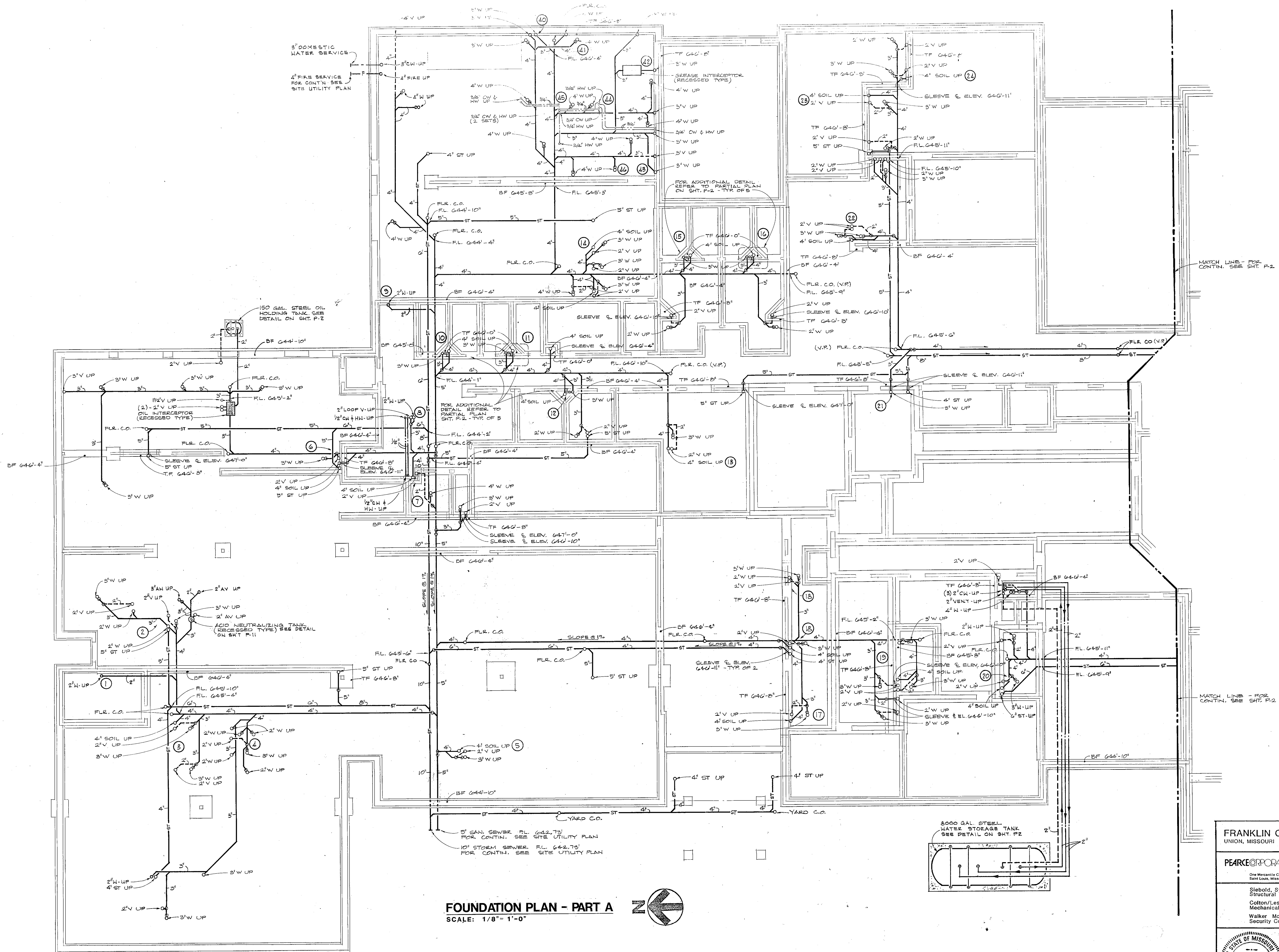
GRILLES, REGISTERS, & DIFFUSERS SCHEDULE

MARK	MANUFACTURER	MODEL	SIZE	AIR PATTERN	CFM	FINISH	REMARK	CEILING
E-1	TITUS	4FLS	14x14	---	450	WHITE	---	---
E-2	---	---	---	---	450	---	---	---
E-3	---	---	---	---	300	---	---	---
E-4	---	---	---	---	300	---	---	---
E-5	---	---	---	---	60	---	---	---
E-6	---	---	---	---	250	---	---	---
E-7	---	---	---	---	80	---	---	---
E-8	---	---	---	---	80	---	---	---
E-9	---	---	---	---	320	---	---	---
E-10	---	---	---	---	320	---	---	---
E-11	---	---	---	---	100	---	---	---
E-12	---	---	---	---	60	---	---	---
E-13	---	---	---	---	100	---	---	---
E-14	---	---	---	---	60	---	---	---
E-15	---	---	---	---	60	---	---	---
E-16	---	---	---	---	60	---	---	---
E-17	---	---	---	---	60	---	---	---
E-18	---	---	---	---	70	---	---	---
E-19	---	---	---	---	260	---	---	---
E-20	---	---	---	---	220	---	---	---
E-21	---	---	---	---	260	---	---	---
E-22	---	---	---	---	220	---	---	---
E-23	---	---	---	---	250	---	---	---
E-24	---	---	---	---	100	---	---	---
E-25	---	---	---	---	70	---	---	---
E-26	KRIEGER	BIOR	12x12	---	260	WHITE	---	---
E-27	---	---	---	---	260	---	---	---
E-28	---	---	---	---	260	---	---	---
E-29	---	---	---	---	260	---	---	---
E-30	---	---	---	---	260	---	---	---
E-31	---	---	---	---	260	---	---	---
E-32	---	---	---	---	260	---	---	---
E-33	---	---	---	---	260	---	---	---
E-34	TITUS	TXR	24x12	---	750	WHITE	---	---
E-35	TITUS	TXR	24x12	---	800	WHITE	---	---
E-36	TITUS	TXR	24x12	---	800	WHITE	---	---
E-37	TITUS	4FLS	8x8	---	150	WHITE	---	---

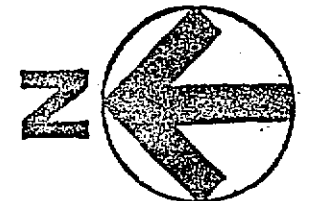
◆ INDICATES RADIATION DAMPER AT GRILLE - SEE NOTE #15 DRAWING #1

TERMINAL REHEAT UNIT SCHEDULE

MARK	MANUFACTURER	MODEL	SIZE	MAX. CFM	MIN. CFM	HEATER KW	STEPS	BTUH	VOLT/PH	TEMP. RISE
TRH-1	TEMPMASTER	HSE-3	600	600	300	3.7	1	12,640	480/3/60	36°F
TRH-2	---	---	400	400	200	2.5	1	8,520	---	36°F
TRH-3	---	---	200	200	100	1.3	1	4,440	---	36°F
TRH-4	---	---	200	200	100	2.4	1	8,190	---	36°F
TRH-5	---	---	400	370	175	2.8	2	21,900	---	69°F
TRH-6	---	---	600	570	285	2.4	1	4,440	---	36°F
TRH-7	---	---	200	200	100	1.3	1	4,440	---	36°F
TRH-8	---	---	400	370	175	2.4	1	8,190	---	60°F
TRH-9	---	---	600	470	240	4.6	1	15,700	---	48°F
TRH-10	---	---	600	470	250	3.0	1	10,240	---	36°F
TRH-11	---	---	400	410	200	2.8	1	9,520	---	36°F
TRH-12	---	---	200	130	130	1.2	1	4,150	---	36°F
TRH-13	---	---	200	130	130	2.3	1	7,160	---	39°F
TRH-14	---	---	200	180	100	1.3	1	5,870	---	41°F
TRH-15	---	---	400	400	200	2.6	1	4,780	---	42°F
TRH-16	---	---	200	190	100	1.4	1	6,820	---	41°F
TRH-17	---	---	400	260	150	2.0	1	6,820	---	41°F
TRH-18	---	---	600	470	250	3.7	1	12,640	---	42°F
TRH-19	---	---	600	520	260	3.4	1	11,660	---	43°F
TRH-20	---	---	800	700	380	3.2	1	17,740	---	43°F
TRH-21	---	---	600	600	300	4.0	1	18,650	---	41°F
TRH-22	---	---	200	150	100	1.2	1	4,270	---	36°F
TRH-23	---	---	200	170	100	1.7	1	5,880	---	45°F
TRH-24	---	---	300	480	250	3.6	1	12,280	---	40°F
TRH-25	---	---	600	500	300	3.8	1	12,710	---	71°F
TRH-26	---	---	400	400	200	6.3	2	21,300	---	64°F
TRH-27	---	---	1600	1300	650	13.2	3	45,040	---	40°F
TRH-28	---	---	300	620	300	3.8	1	12,710	---	70°F
TRH-29	---	---	200	200	100	3.3	1	11,210	---	73°F
TRH-30	---	---	600	600	400	9.2	2	28,680	---	70°F
TRH-31	---	---	600	600	300	6.7	2	20,160	---	71°F
TRH-32	---	---	1200	1040	650	14.7	3	43,460	---	57°F
TRH-33	---	---	1200	1040	1090	12.7	3	36,510	---	57°F
TRH-34	---	---	1200	920	1070	10.7	2	37,530	---	57°F
TRH-35	---	---	1200	940	940	11.0	3	38,280	---	57°F
TRH-36	---	---	1200	960	960	11.2	3	38,280	---	57°F
TRH-37	---	---	600	510	510	6.0	2	19,450	---	57°F
TRH-38	---	---	600	470	470	5.7	2	18,550	---	57°F
TRH-39	---	---	200	200	200	2.3	3	4,150	---	57°F
TRH-40	---	---	1200	1030	1030	12.0	3	13,000	---	57°F
TRH-41	---	---	400	320	320	3.8	1	23,610	---	73°F
TRH-42	---	---	400	400	200	6.9	2	31,100	---	72°F
TRH-43	---	---	800	750	480	10.9	2	16,040	---	41°F
TRH-44	---	---	800	710	360	4.7	1	8,240	---	74°F
TRH-45	---	---	800	800	480	11.2	3	7,540	---	41°F
TRH-46	---	---	400	320	170	2.2	1	17,620	---	41°F
TRH-47	---	---	600	560	280	5.7	1	6,140	---	45°F
TRH-48	---	---	400	250	130	1.8	1	3,100	---	72°F
TRH-49	---	---	600	600	400	9.1	2	31,050	---	40°F
TRH-50	---	---	1200	900	400	3.8	1	19,790	---	56°F
TRH-51	---	---	600	600	300	5.3	1	18,280	---	41°F
TRH-52	---	---	600	450	230	3.0	1	10,210	---	41°F
TRH-53	---	---	600	510	260	3.3	1	11,950	---	66°F
TRH-54	---	---	600	430	350	7.3	2	4,440	---	41°F
TRH-55	---	---	200	150	100	1.3	1	5,100	---	41°F
TRH-56	---	---	1600	1500	750	9.7	2	33,450	---	71°F
TRH-57	---	---	800	800	400	9.8	2	32,760	---	72°F
TRH-58	---	---	800	700	420	9.6	2	37,870	---	70°F
TRH-59	---	---	800	700	500	11.1	3	33,180	---	7



FOUNDATION PLAN - PART A
 SCALE: 1/8" = 1'-0"



MATCH LINE - FOR CONTIN. SEE SHIT. P-2

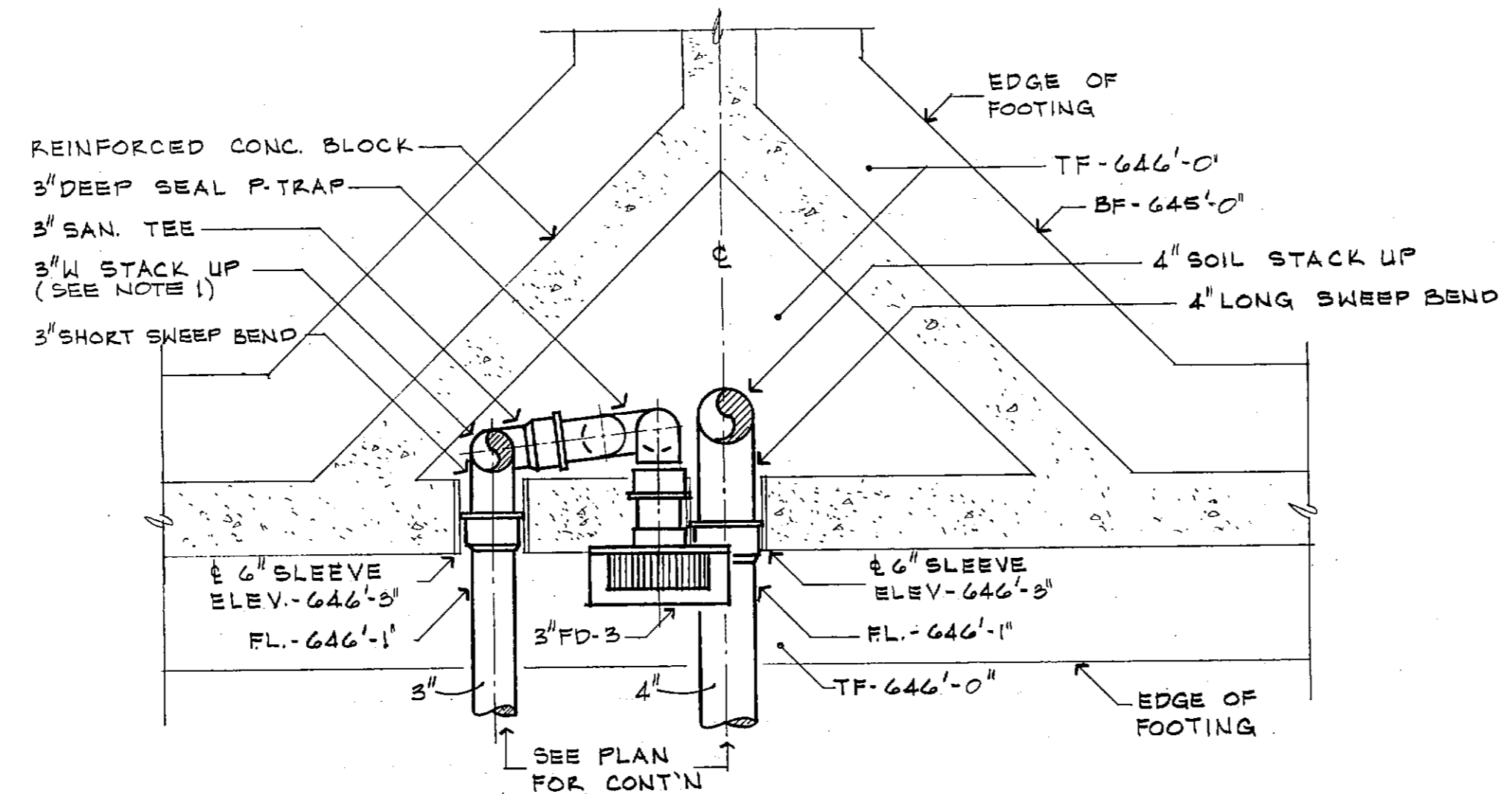
MATCH LINE - FOR CONTIN. SEE SHIT. P-2

FRANKLIN COUNTY ADULT JAIL
 UNION, MISSOURI

PEARCE CORPORATION
 One Mercantile Center
 Saint Louis, Missouri 63101

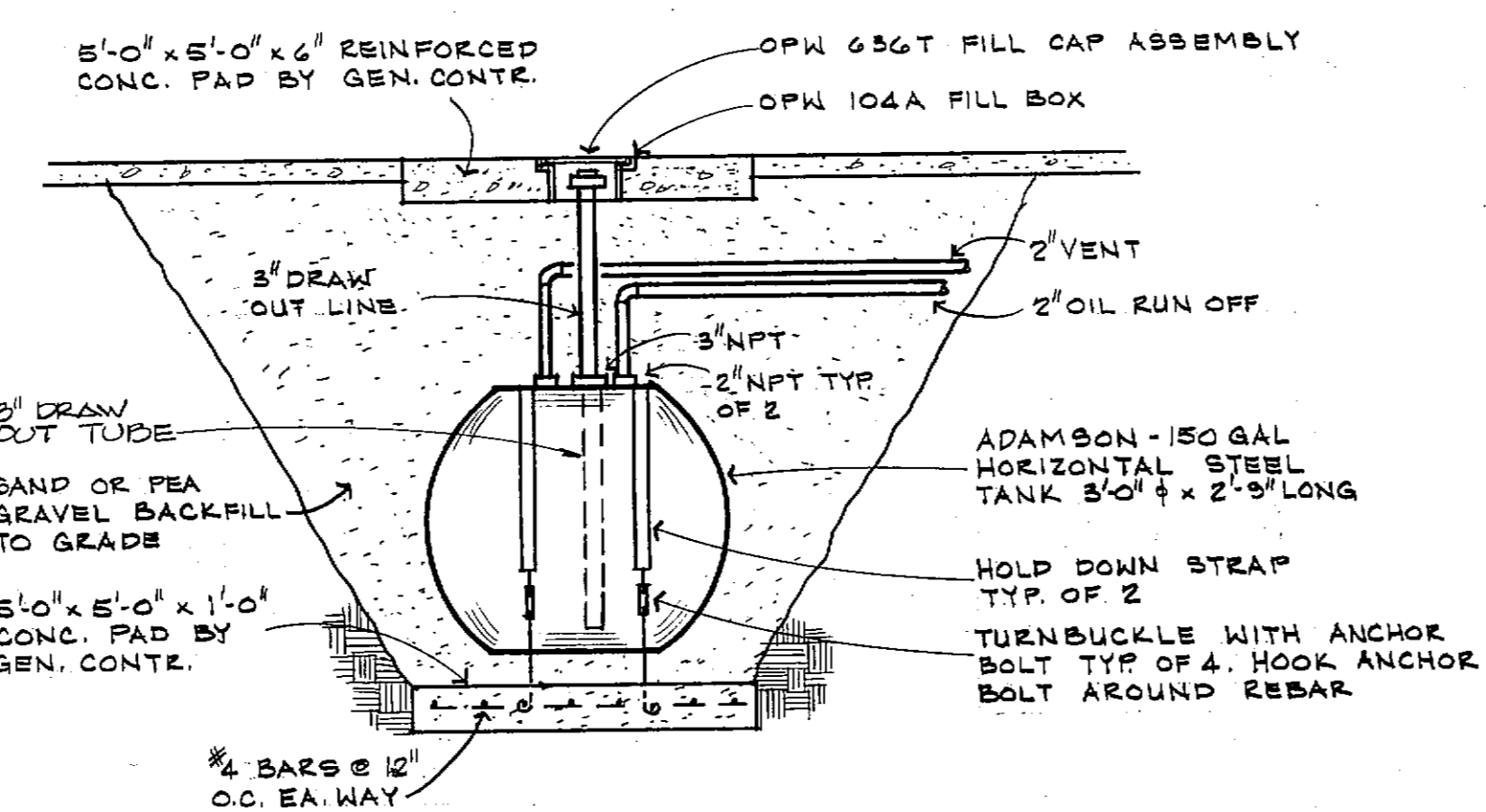
Siebold, Sydow & Eftanbaum Inc.
 Structural Engineers
 Colton/Lester/Niederhorn Associates, Inc.
 Mechanical & Electrical Engineers
 Walker McGough Foltz Lyeria, P.S.
 Security Consultants

	DRAWN BY D.P.T.	P-
	CHECKED BY C.A.L.	
	REVISOR	
	DATE 5/15/85	

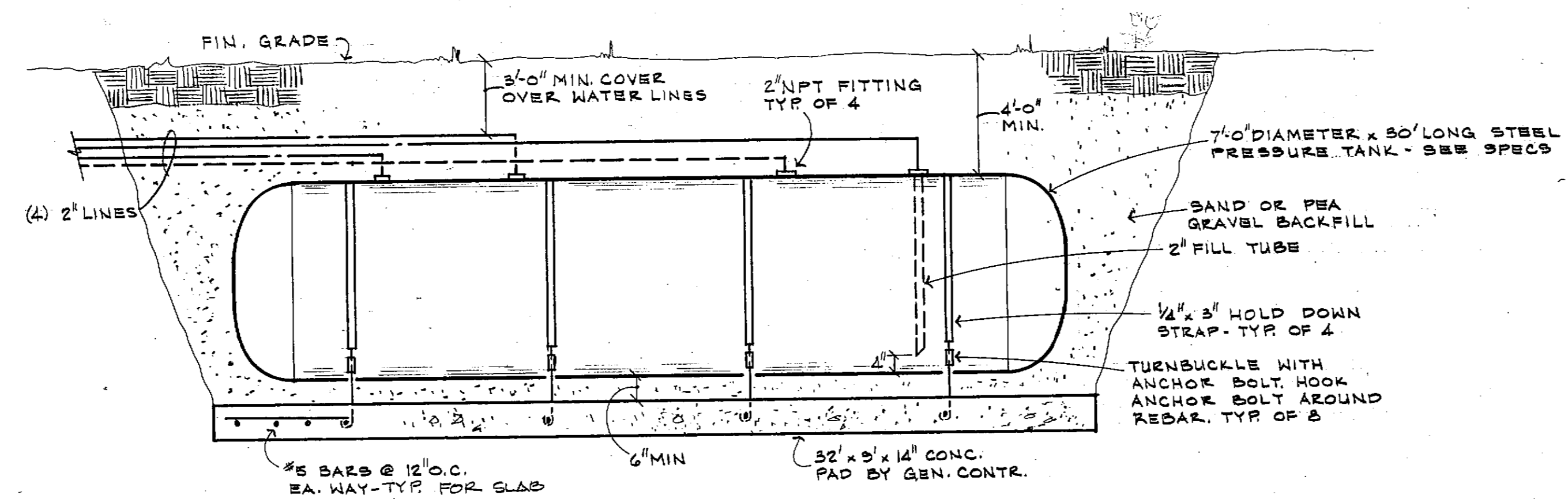


NOTES:
 1. 3" UP THRU FLOOR TO CLEANOUT TEE AND REDUCE TO 2" VENT.
 TYPICAL FOR: (10) (11) (12) (15) (16) (37) (38) (39)

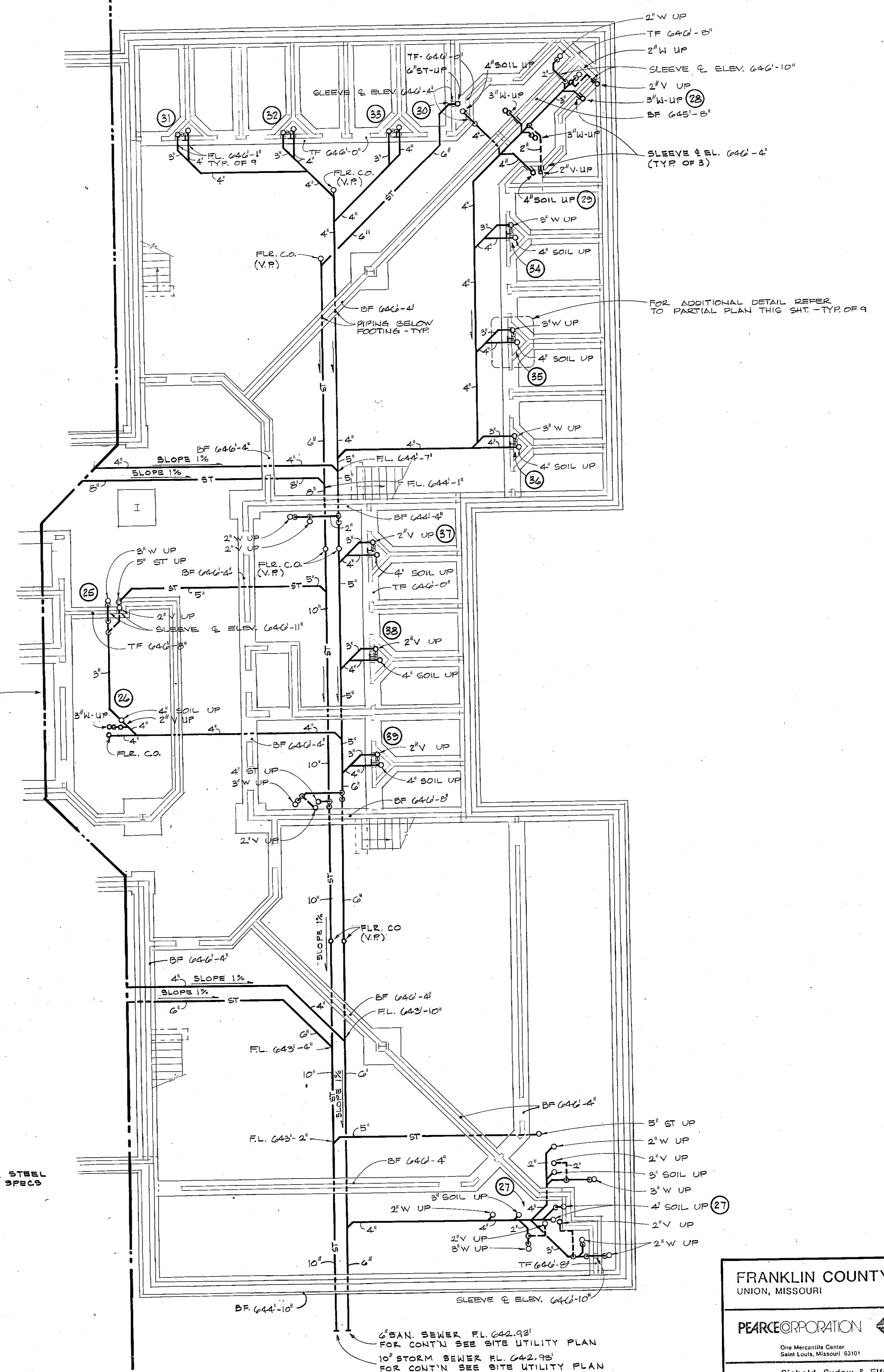
PARTIAL FOUNDATION PLAN
 SCALE: 1" = 1'-0"



OIL HOLDING TANK DETAIL
 NO SCALE



WATER STORAGE TANK DETAIL
 NO SCALE



FOUNDATION PLAN - PART B
 SCALE: 1/8" = 1'-0"

FRANKLIN COUNTY ADULT JAIL
 UNION, MISSOURI

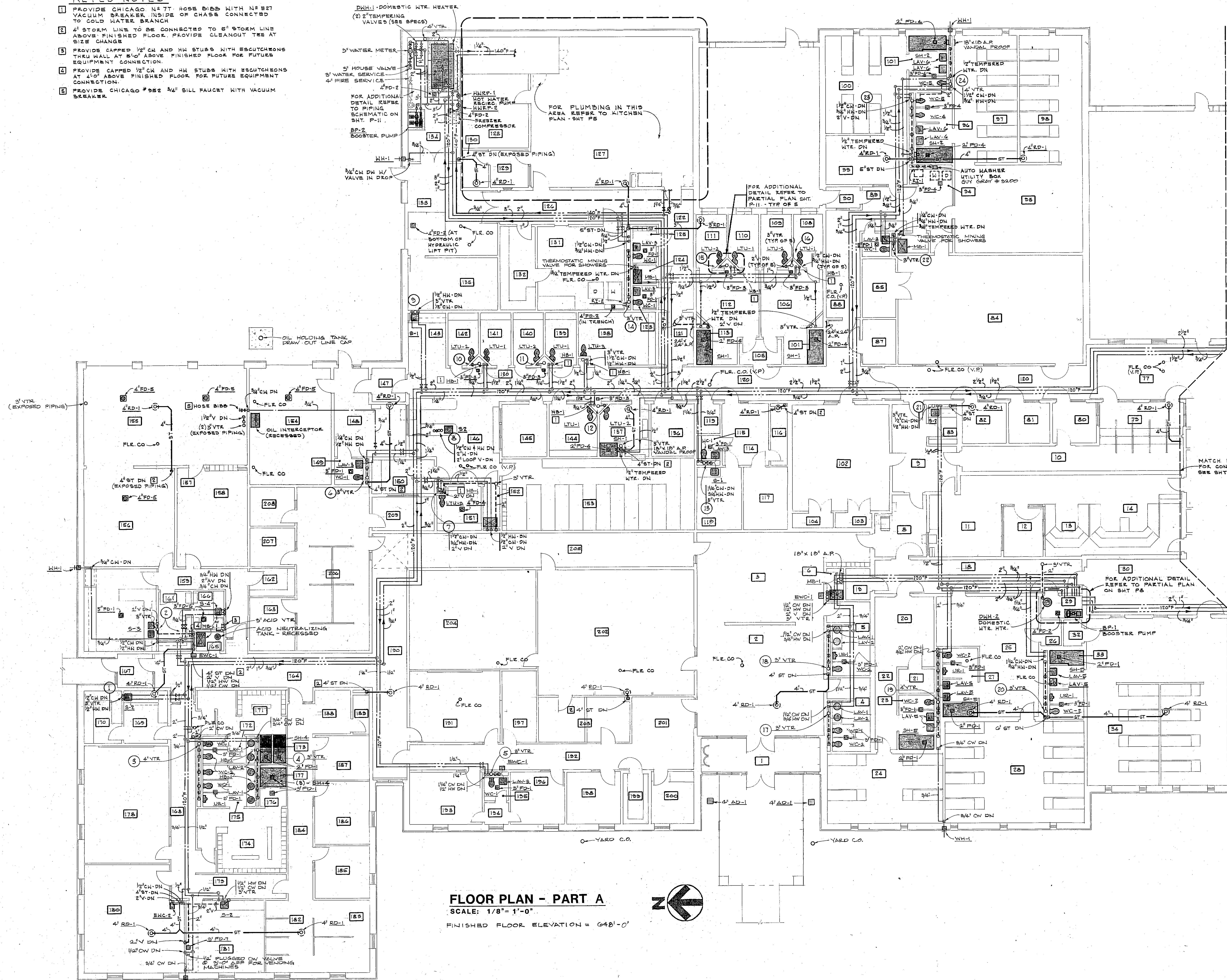
PEARCE CORPORATION
 One Mercantile Center
 Saint Louis, Missouri 63101

Siebold, Sydow & Effenbaum Inc.
 Structural Engineers
 Colton/Lester/Niederhorn Associates, Inc.
 Mechanical & Electrical Engineers
 Walker, McGough, Foltz, Lyster, P.S.
 Security Consultants

	DRAWN BY D.P.T.	P-2 DRAWING NO.
	CHECKED BY C.A.L.	
	REVISIONS	
	PROJ. NO. 04-07-1-00 DATE 1/1/00	

KEYED NOTES

- 1 PROVIDE CHICAGO #87T HOSE BIBB WITH #8B27 VACUUM BREAKER INSIDE OF CHASE CONNECTED TO COLD WATER BRANCH
- 2 4" STORM LINE TO BE CONNECTED TO 6" STORM LINE ABOVE FINISHED FLOOR. PROVIDE CLEANOUT TEE AT SIZE CHANGE
- 3 PROVIDE CAPPED 1/2" CW AND HW STUBS WITH ESCUTCHEONS THRU WALL AT 5'-0" ABOVE FINISHED FLOOR FOR FUTURE EQUIPMENT CONNECTION.
- 4 PROVIDE CAPPED 1/2" CW AND HW STUBS WITH ESCUTCHEONS AT 4'-0" ABOVE FINISHED FLOOR FOR FUTURE EQUIPMENT CONNECTION.
- 5 PROVIDE CHICAGO #882 3/4" SILL FAUCET WITH VACUUM BREAKER



FLOOR PLAN - PART A
 SCALE: 1/8" = 1'-0"
 FINISHED FLOOR ELEVATION = 648'-0"

ROOM NO.	ROOM NAME	ROOM NO.	ROOM NAME
1	VESTIBULE	136	MATTRESS STORAGE
2	LOBBY	137	DRESSING
3	WAITING	138	MALE CONV. HOLDING
4	WORK	139	HOLDING
5	MEN	140	HOLDING
6	JANITOR	141	HOLDING
7	PASSAGE	142	HOLDING
8	VESTIBULE	143	MEDICAL EXAM
9	SALLYPORT	144	FIX. CONV. HOLDING
10	PASSAGE	145	JAILER
11	OPEN OFFICE AREA	146	PROCESSING
12	E.O.C. OFFICE	147	SALLYPORT
13	E.O.C. COMMUNICATIONS	148	LOW LOBBY
14	POLICE COMMUNICATIONS	149	TOILET
15	SALLYPORT	150	LINE UP
16		151	DETOX.
17	ELECTRICAL	152	JANITOR
18	DAY ROOM	153	STORAGE
19	PASSAGE	154	VEHICLE SALLYPORT
20	TOILET	155	VEHICLE STORAGE
21	FEH. W.R. DORN	156	VEHICLE PROCESSING
22	DAY ROOM	157	VESTIBULE
23	TOILET	158	LARGE EVIDENCE
24	TOILET	159	PASSAGE
25	MALE W.R. DORN	160	CRIME LAB
26		161	PHOTO LAB LIGHT SIDE
27	RECR.	162	SMALL EVIDENCE
28	CORRIDOR	163	SUPERVISOR
29	DAY ROOM	164	JANITOR
30	STORAGE	165	JANITOR
31	TOILET	166	PHOTO LAB DARK SIDE
32	MALE TRUSTEE DORN	167	VESTIBULE
33	TOILET	168	PASSAGE
34		169	OUTDOOR REC. AREA
35		170	WEAPONS STORAGE
36		171	WOMEN'S LOCKER
37		172	WOMEN'S TOILET
38		173	SHOWERS
39		174	MEN'S LOCKER
40		175	MEN'S TOILET
41		176	DRY
42		177	SHOWER
43		178	ROLL CALL
44		179	PASSAGE
45		180	EXERCISE
46		181	VENTING
47		182	REPORT WRITE UP
48		183	SEAGENTS
49		184	PASSAGE
50		185	SUPERVISOR
51		186	CAPTAIN
52		187	TRAFFIC
53		188	SEC. Y/REC.
54		189	STORAGE
55		190	CORRIDOR
56		191	CONFERENCE
57		192	PASSAGE
58		193	SHOULDER
59		194	VESTIBULE
60		195	TOILET
61		196	SECURITY
62		197	MECH.
63		198	C. R. OFFICE
64		199	VAULT
65		200	FILES/WORKROOM
66		201	OFFICE
67		202	CIVIL FILES
68		203	CENTRAL FILES
69		204	CORRIDOR
70		205	TOILET
71		206	DETECTIVES
72		207	INTERVIEW
73		208	INTERVIEW
74		209	OBSERVATION
75		210	FILES

FRANKLIN COUNTY ADULT JAIL
 UNION, MISSOURI

PEARCE CORPORATION
 One Mercantile Center
 Saint Louis, Missouri 63101

Siebold, Sydow & Eifanbaum Inc.
 Structural Engineers
 Colton/Lester/Niederhorn Associates, Inc.
 Mechanical & Electrical Engineers
 Walker McLaugh Foltz Lyster, P.S.
 Security Consultants

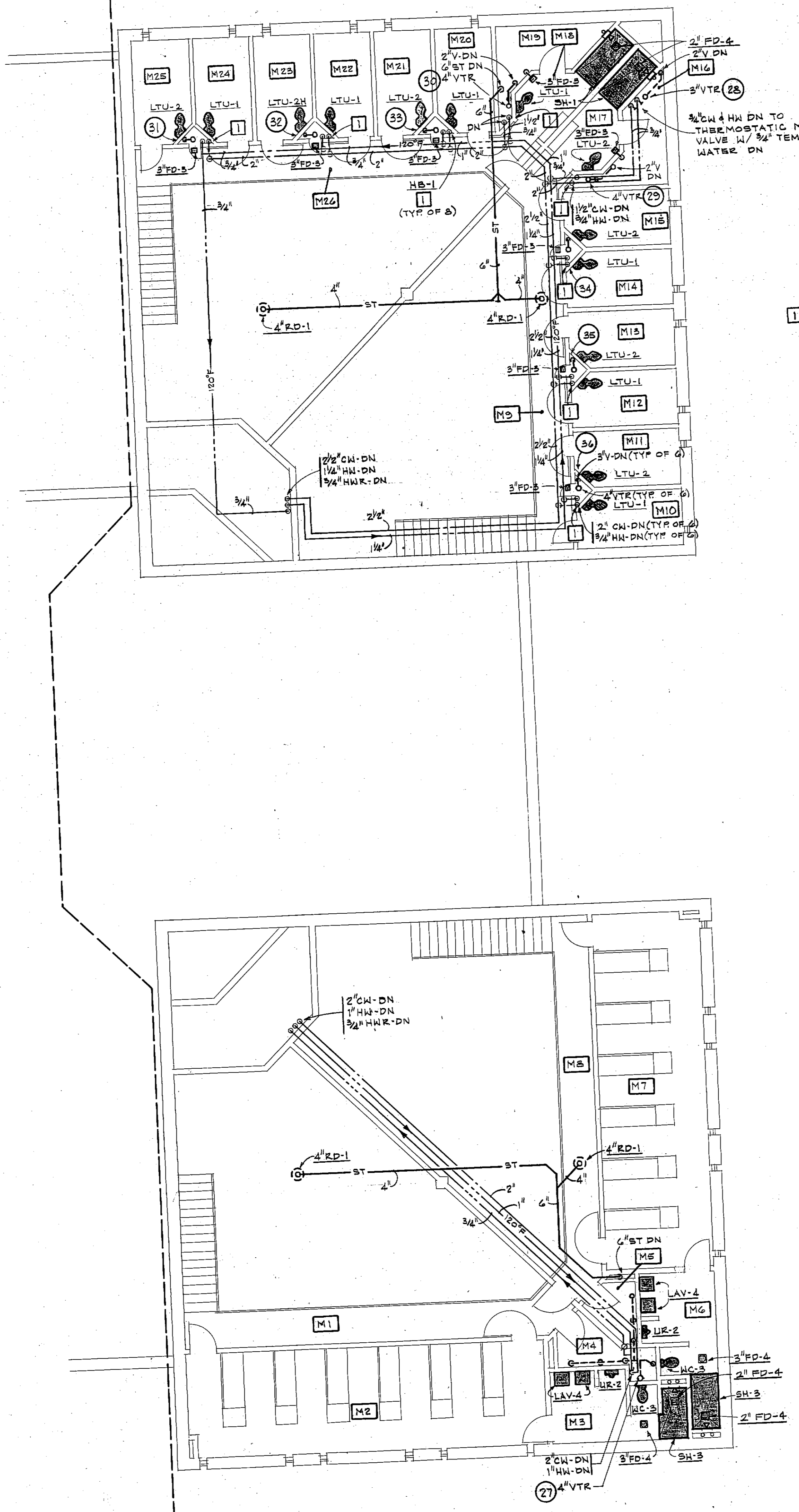
	DRAWN BY E.P.T.	<p>P-3</p>
	CHECKED BY C.A.L.	
	REVISIONS	
	DATE 3/15/82	

ROOM IDENTIFICATION SCHEDULE

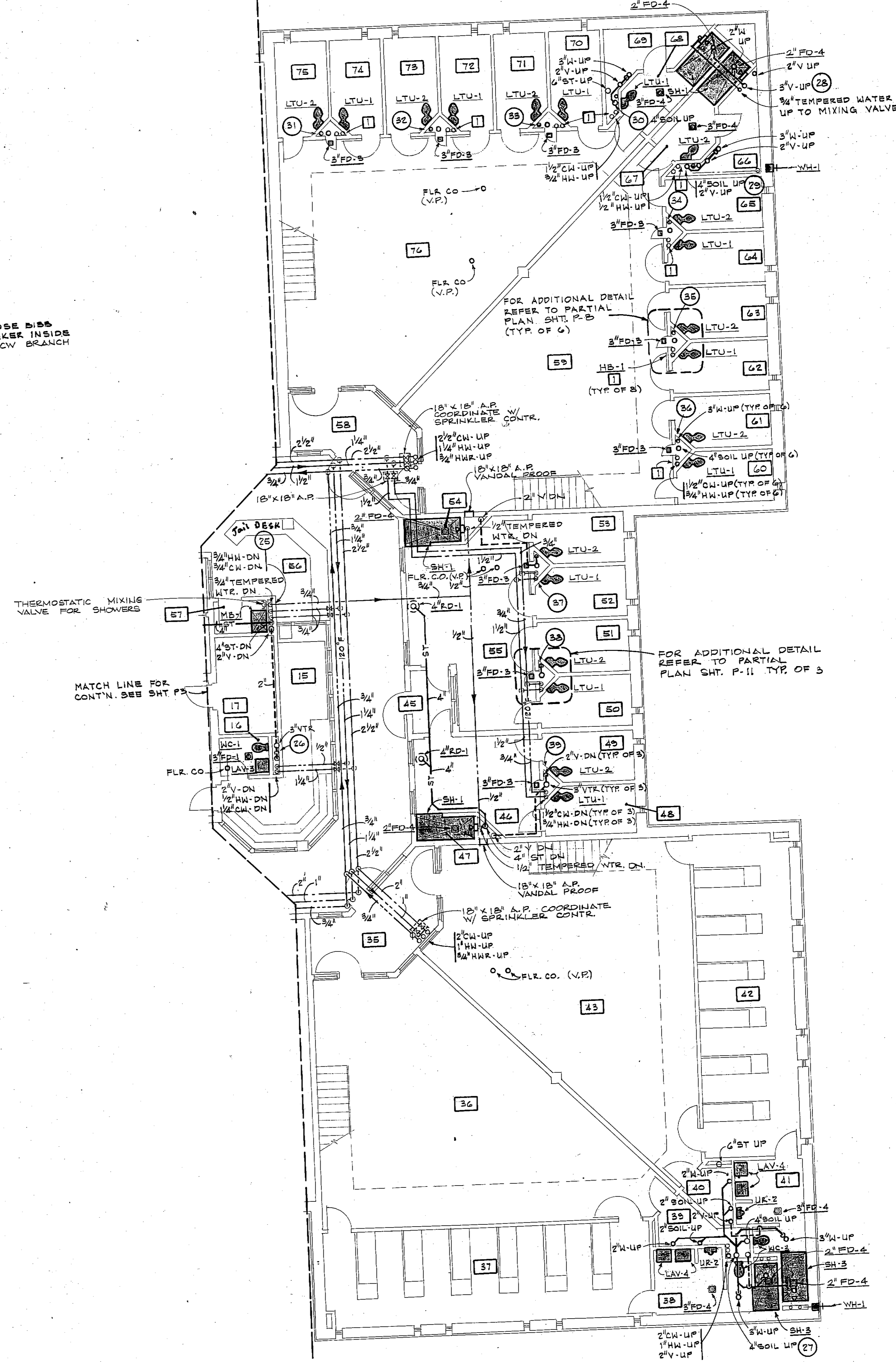
ROOM NO.	ROOM NAME
M1	BALCONY
M2	MED. MALE DORM
M3	TOILET
M4	STORAGE
M5	STORAGE
M6	TOILET
M7	MED. MALE DORM
M8	BALCONY
M9	BALCONY
M10	CELL
M11	CELL
M12	CELL
M13	CELL
M14	CELL
M15	CELL
M16	STORAGE
M17	TOILET
M18	STORAGE
M19	STORAGE
M20	CELL
M21	CELL
M22	CELL
M23	CELL
M24	CELL
M25	CELL
M26	BALCONY

KEYED NOTES

1 PROVIDE CHICAGO #77 HOSE BIBS WITH #27 VACUUM BREAKER INSIDE OF CHASE. CONNECT TO CW BRANCH



MEZZANINE FLOOR PLAN
 SCALE: 1/8" = 1'-0"
 FINISHED FLOOR ELEVATION = 650'-0"



FLOOR PLAN - PART B
 SCALE: 1/8" = 1'-0"
 FINISHED FLOOR ELEVATION = 648'-0"

ROOM IDENTIFICATION SCHEDULE

ROOM NO.	ROOM NAME
15	CENTRAL CONTROL
16	TOILET
17	EQUIPMENT
35	VESTIBULE
36	MED. MALE DAY ROOM
37	MED. MALE DORM
38	TOILET
39	STORAGE
40	STORAGE
41	TOILET
42	MED. MALE DORM
43	MED. MALE DAY ROOM
44	CORRIDOR
45	RESTRICTION
46	ISOLATION DAY ROOM
47	SHOWER
48	CELL
49	CELL
50	CELL
51	CELL
52	CELL
53	CELL
54	SHOWER
55	SPEC. MALE DAY ROOM
56	FLOOR CONTROL
57	JANITOR
58	VESTIBULE
59	MED. MALE DAY ROOM
60	CELL
61	CELL
62	CELL
63	CELL
64	CELL
65	CELL
66	STORAGE
67	TOILET
68	TOILET
69	STORAGE
70	CELL
71	CELL
72	CELL
73	CELL
74	CELL
75	CELL

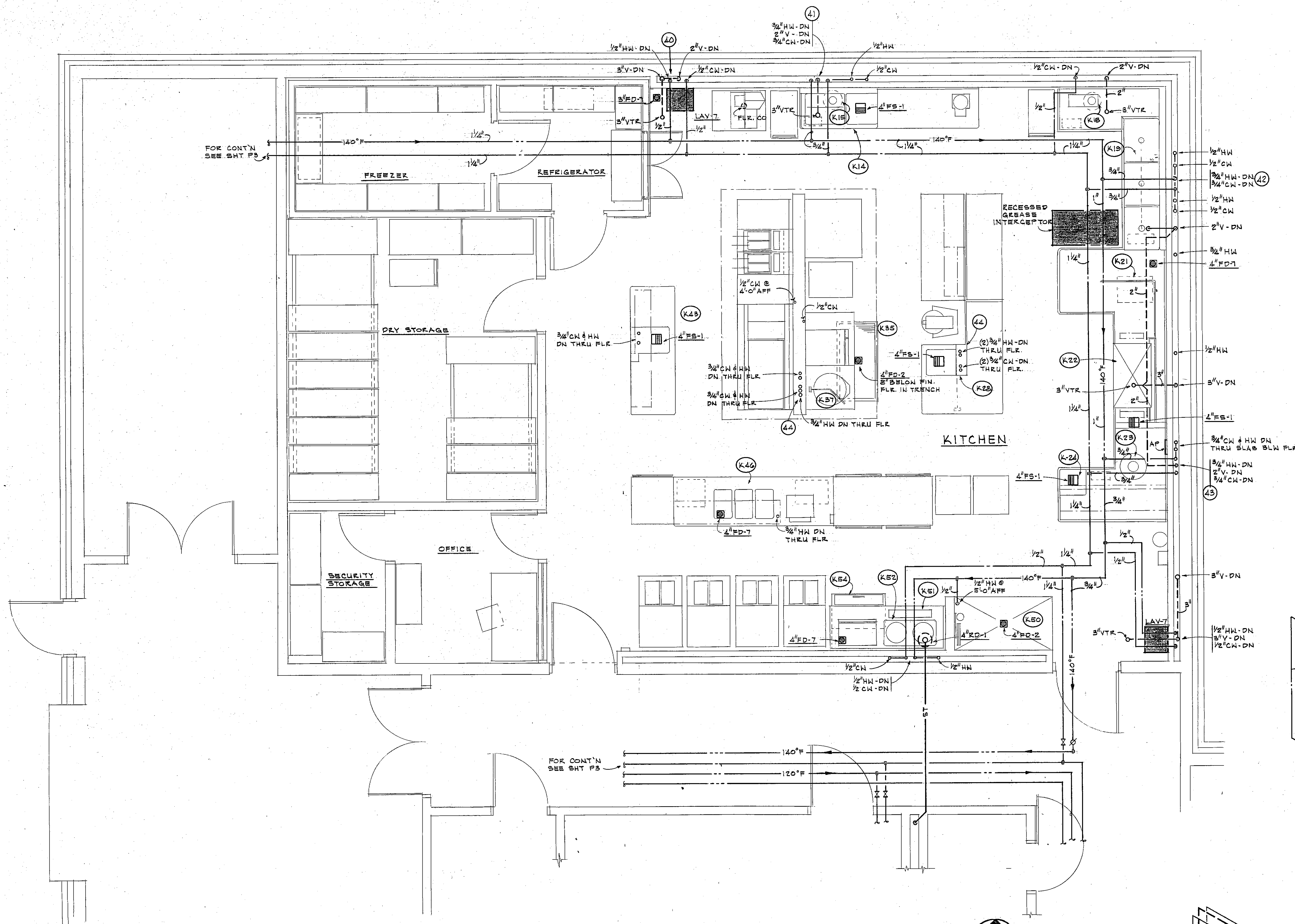
FRANKLIN COUNTY ADULT JAIL
 UNION, MISSOURI

PEARCE CORPORATION
 One Mercantile Center
 Saint Louis, Missouri 63101

Siebold, Sydow & Effenbaum Inc.
 Structural Engineers
 Colton/Lester/Niederhorn Associates, Inc.
 Mechanical & Electrical Engineers
 Walker McGough Foltz Lyster, P.S.
 Security Consultants

PROFESSIONAL ENGINEER
 HAROLD COLTON
 NUMBER E-13458
 STATE OF MISSOURI

DATE 3/15/89 DRAWING NO. **P-4**

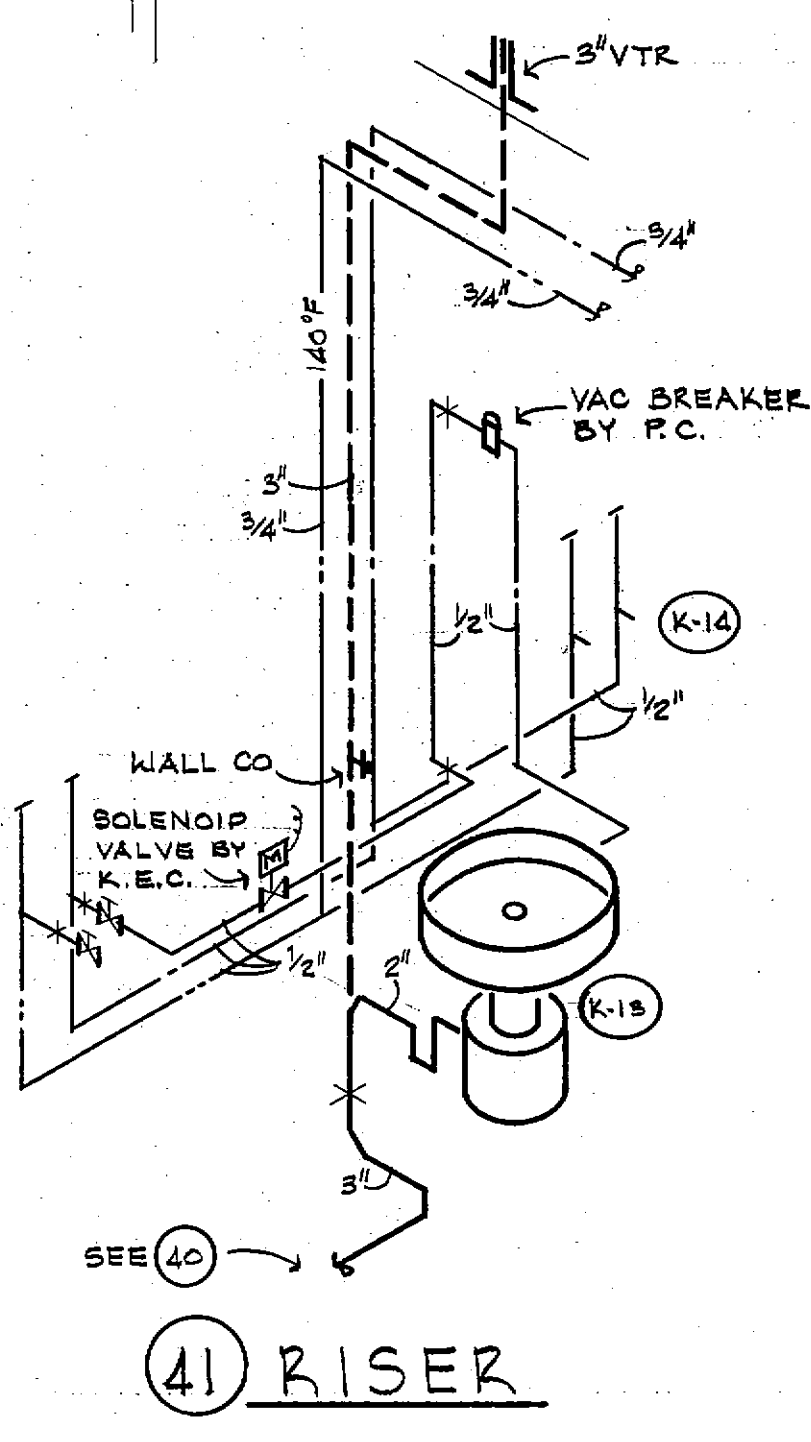


KITCHEN EQUIPMENT ROUGH-IN SCHEDULE					
ITEM	DESCRIPTION	HW	CW	WASTE	REMARKS
(K-14)	VEGETABLE PREP SINK	(2) 1/2"	(2) 1/2"	TO FS-1	
(K-15)	DISPOSER		1/2"	2"	
(K-16)	DISPOSER		1/2"	2"	
(K-17)	PAN SINK	(2) 3/4"	(2) 3/4"	2"	CONNECTED TO GREASE INTERCEPTOR
(K-21)	BOOSTER HEATER	3/4"			3/4" - 180°F OUTLET TO K-22 FINAL RINSE
(K-22)	DISHWASHER	1/2" - 140°F	3/4" - 180°F	TO FS-1	
(K-23)	DISPOSER	1/2"	(2) 1/2"	2"	
(K-24)	SOILED DISH TABLE	1/2"	(2) 1/2"	TO FS-1	
(K-25)	COOK'S TABLE	1/2"	1/2"	TO FS-1	
(K-26)	STEAMER		1/2"	1 1/2"	PIPE DRAIN TO TRENCH
(K-27)	KETTLE	1/2"	1/2"	1 1/2"	PIPE DRAIN TO TRENCH
(K-28)	COOK'S TABLE	1/2"	1/2"	TO FS-1	
(K-29)	SERVICE TABLE	1/2"		TO FD-7	
(K-30)	SANITIZER	1/2"			
(K-31)	BEVERAGE COUNTER			FD-7	
(K-32)	COFFEE URN	1/2"			
(K-34)	ICE MACHINE		1/2"	TO FS-1	

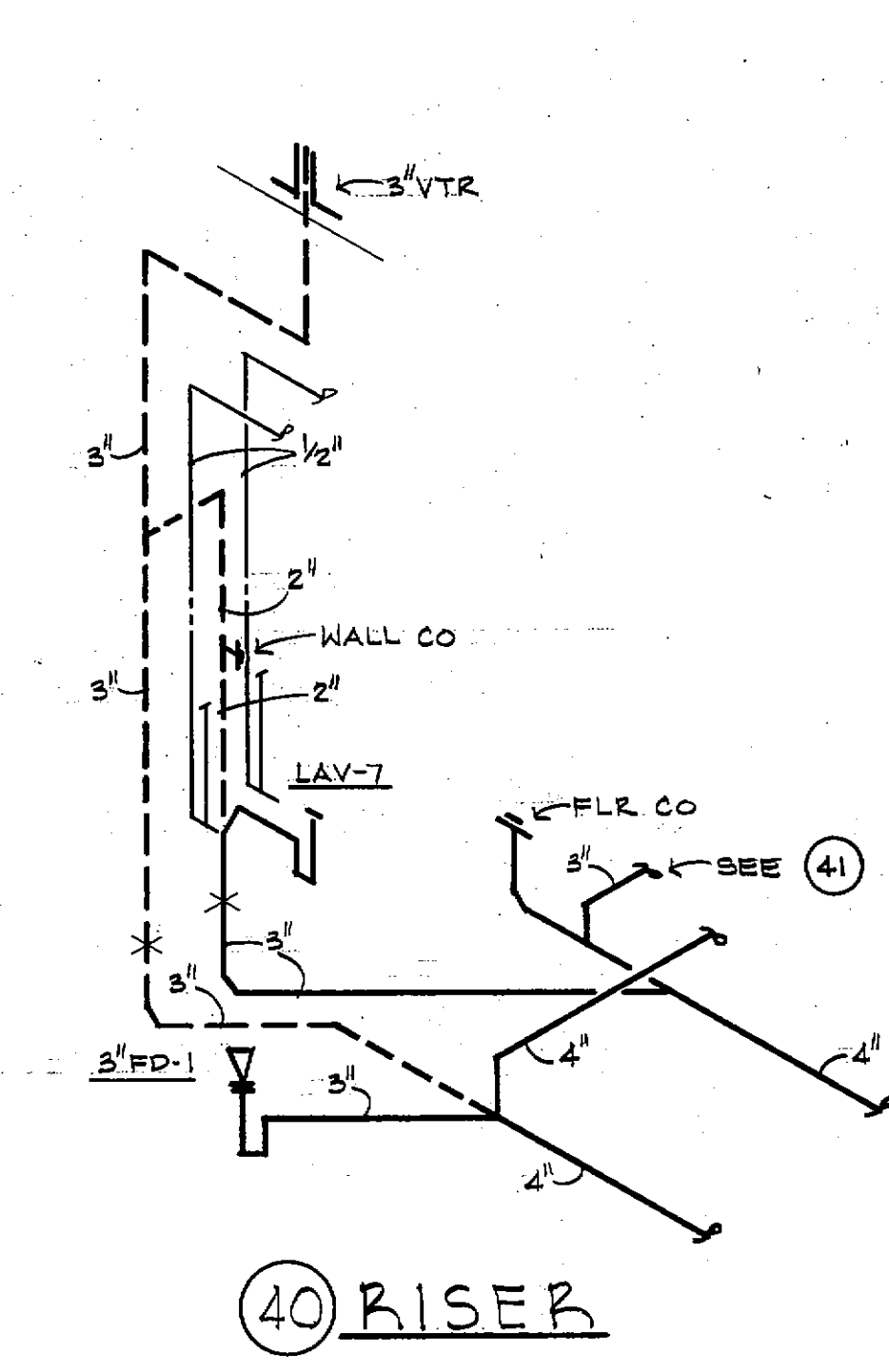
NOTES:
 1) REFER TO KITCHEN EQUIPMENT CONTRACTOR'S DRAWINGS FOR EXACT ROUGH-IN DIMENSIONS AND EQUIPMENT LOCATIONS, AND VERIFICATION OF SIZES AND TYPES OF CONNECTIONS SHOWN ON THIS SCHEDULE AND THE KITCHEN PLAN.
 2) PLUMBING CONTRACTOR SHALL FURNISH & INSTALL ALL STOP VALVES, SUPPLIES, TRAPS, ETC., REQUIRED FOR CONNECTIONS TO EQUIPMENT.
 3) PROVIDE 2" AIR GAPS AT ALL INDIRECT WASTE TERMINATIONS

K.E.C. KITCHEN EQUIPMENT CONTRACTOR
 P.C. PLUMBING CONTRACTOR

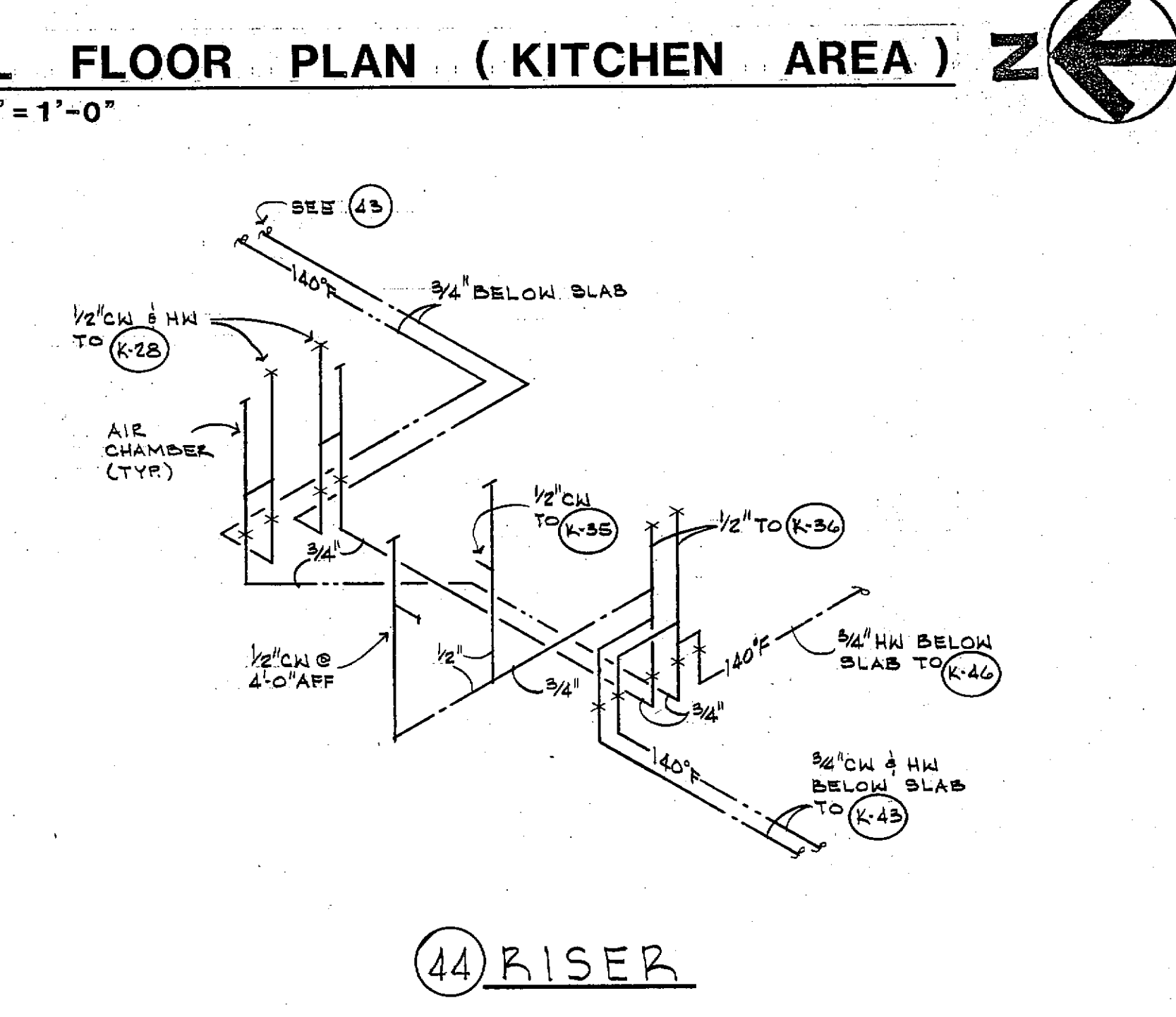
PARTIAL FLOOR PLAN (KITCHEN AREA)
 SCALE: 3/8" = 1'-0"



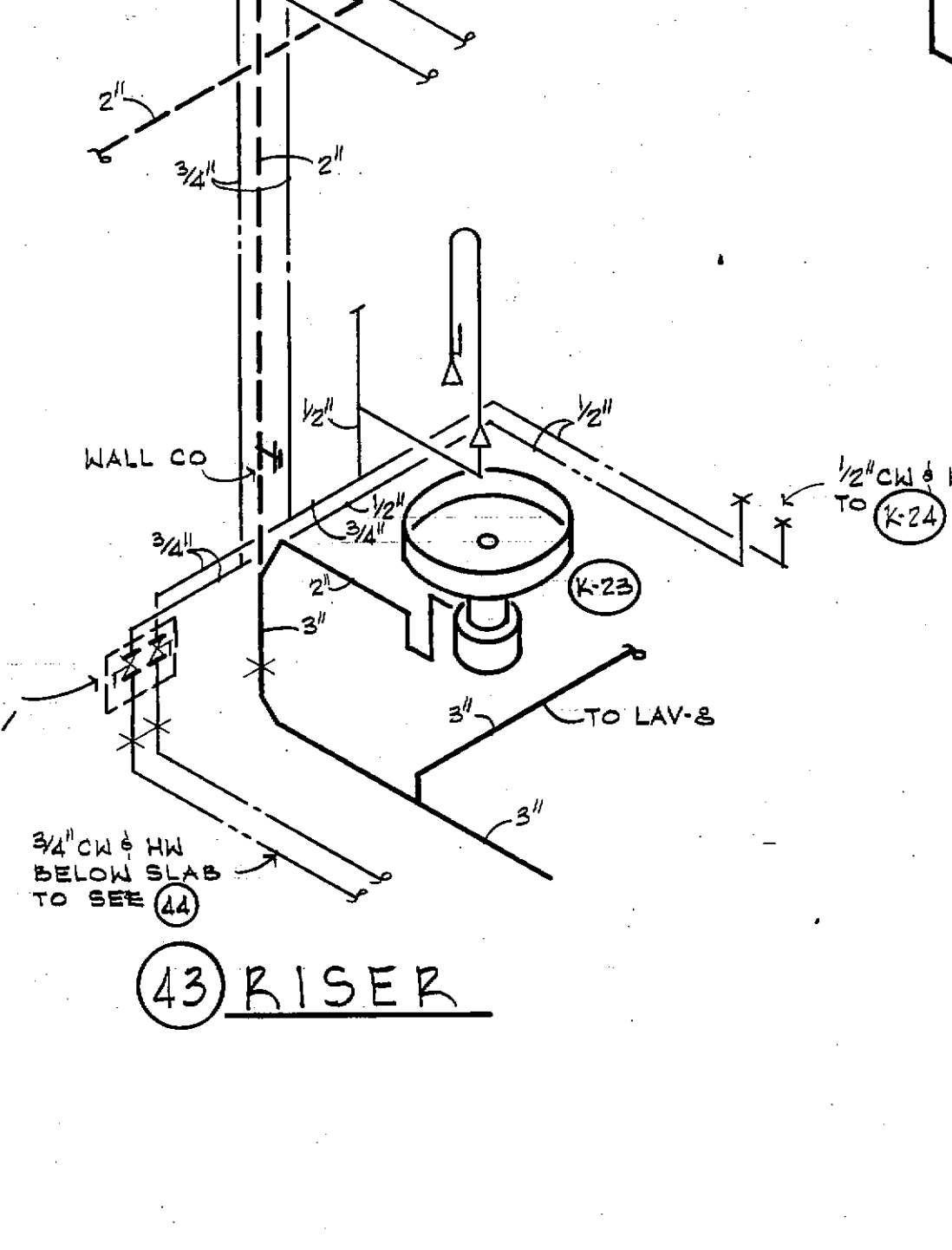
41 RISER



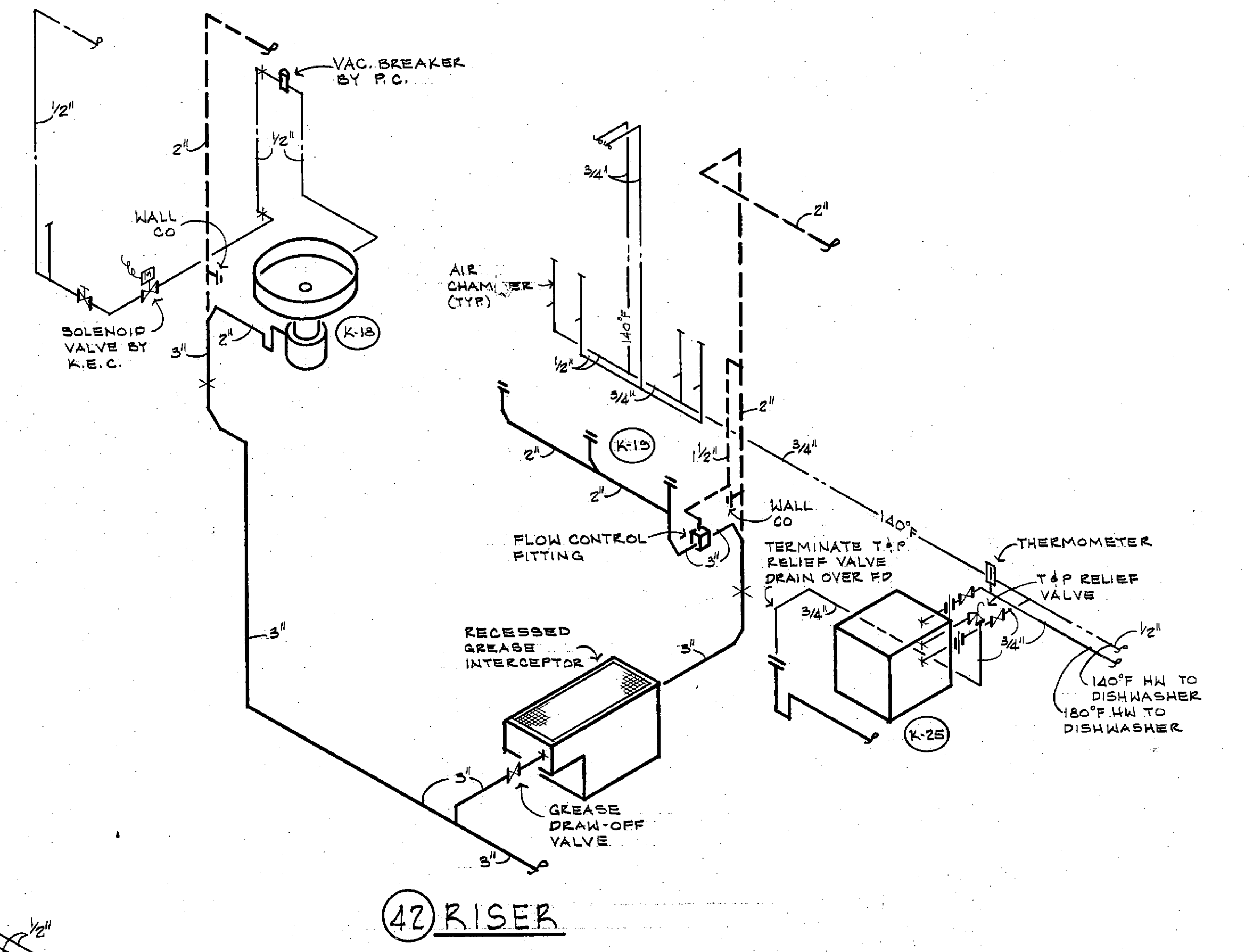
40 RISER



44 RISER



43 RISER



42 RISER

FRANKLIN COUNTY ADULT JAIL
 UNION, MISSOURI

PEARCE CORPORATION
 One Mercantile Center
 Saint Louis, Missouri 63101

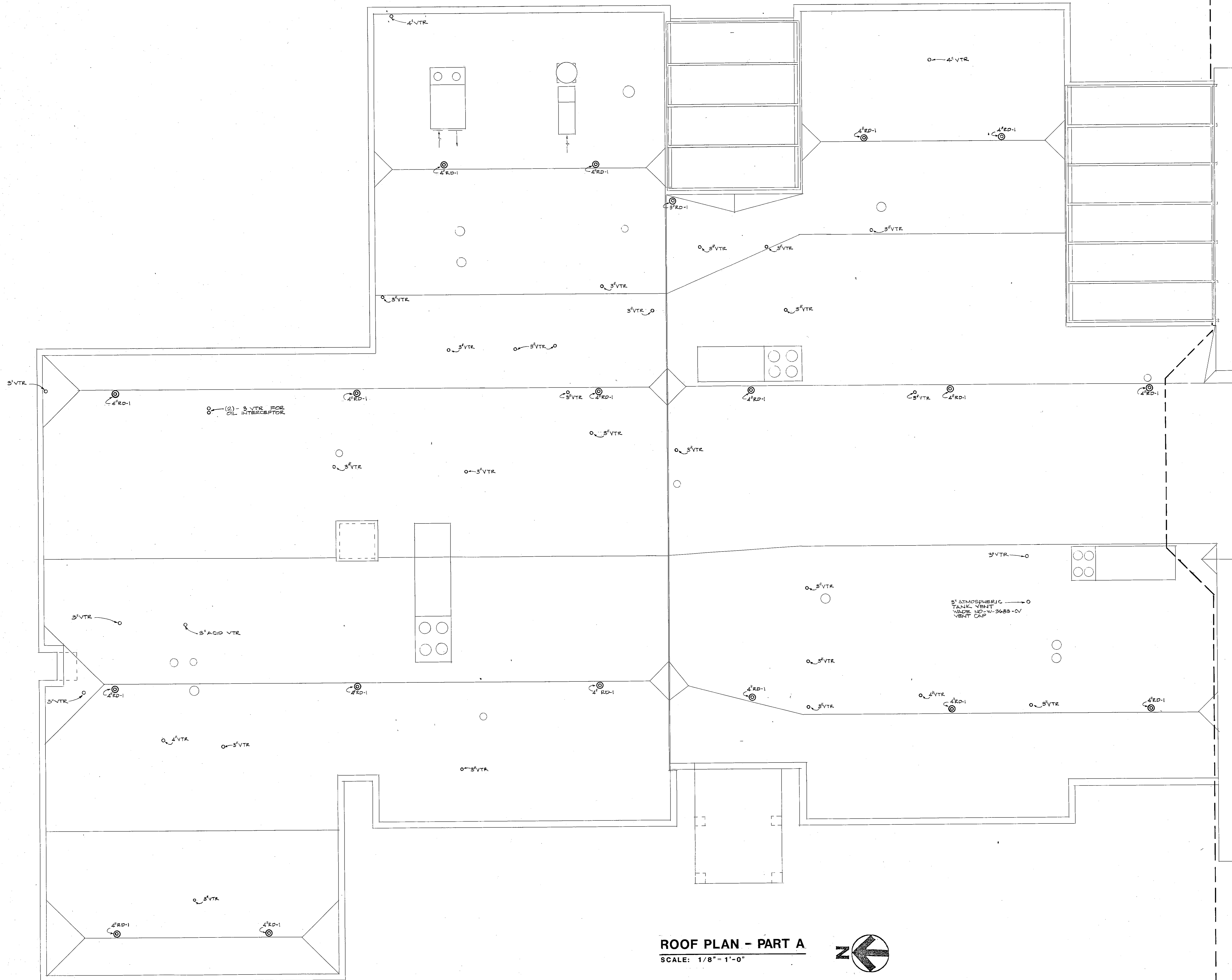
Siebold, Sydow & Eitanbaum Inc.
 Structural Engineers
 Colton/Lester/Niederhorn Associates, Inc.
 Mechanical & Electrical Engineers
 Walker McGough Foltz Lyster, P.S.
 Security Consultants

HAROLD COLTON
 REGISTERED PROFESSIONAL ENGINEER
 NUMBER E-13458

DRAWN BY D.P.T.
 CHECKED BY C.A.L.
 REVISED
 PROJ. NO. 84-07-1100
 DATE 3/15/85

P-5

DRAWING NO.



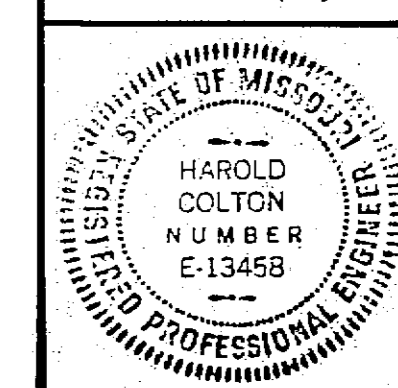
ROOF PLAN - PART A
 SCALE: 1/8" = 1'-0"



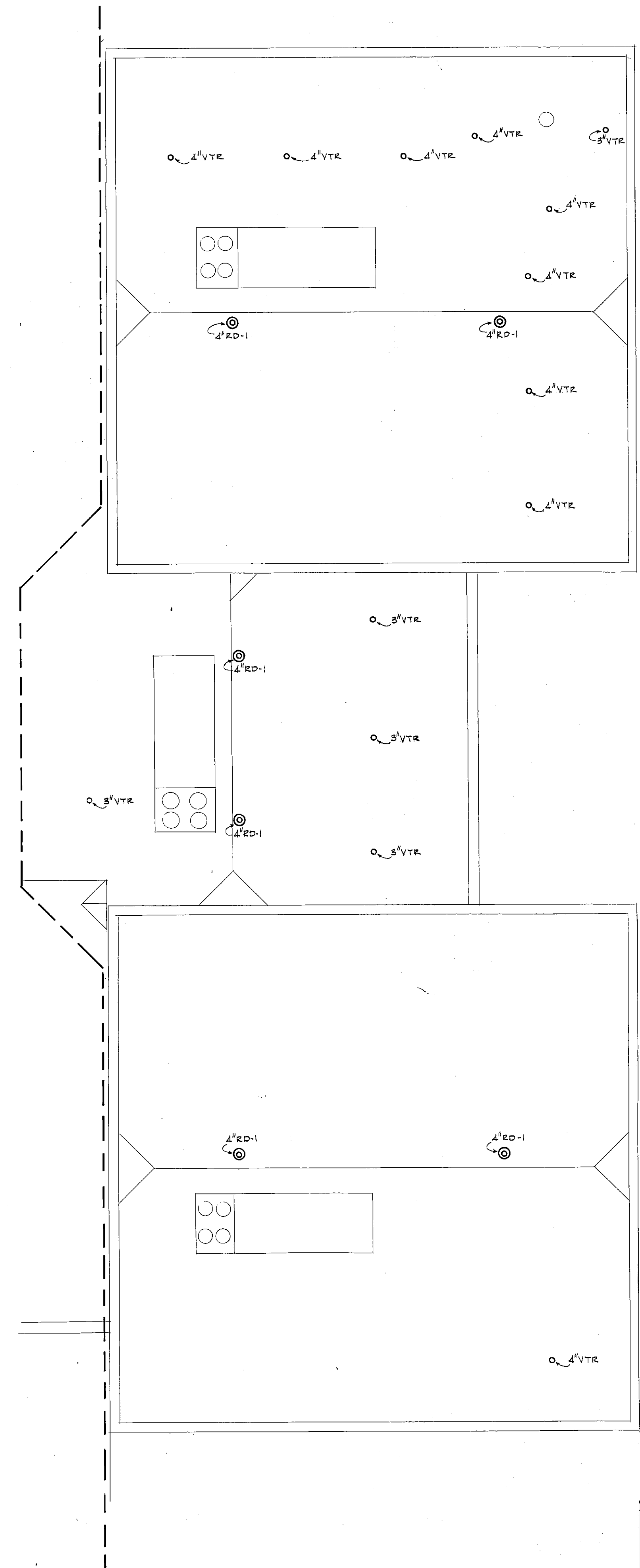
FRANKLIN COUNTY ADULT JAIL
 UNION, MISSOURI

PEARCE CORPORATION
 One Mercantile Center
 Saint Louis, Missouri 63101

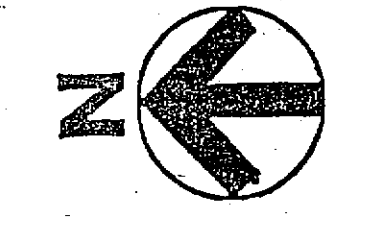
Siebold, Sydow & Elfanbaum Inc.
 Structural Engineers
 Colton/Lester/Niederhorn Associates, Inc.
 Mechanical & Electrical Engineers
 Walker McGough Foltz Lyerla, P.S.
 Security Consultants



DRAWN BY C.B.T.	P-6
CHECKED BY HAROLD COLTON NUMBER E-13458	
PROJ. NO. 84-07.1.00	DRAWING NO.
DATE 5/15/85	



ROOF PLAN - PART B
 SCALE: 1/8" = 1'-0"



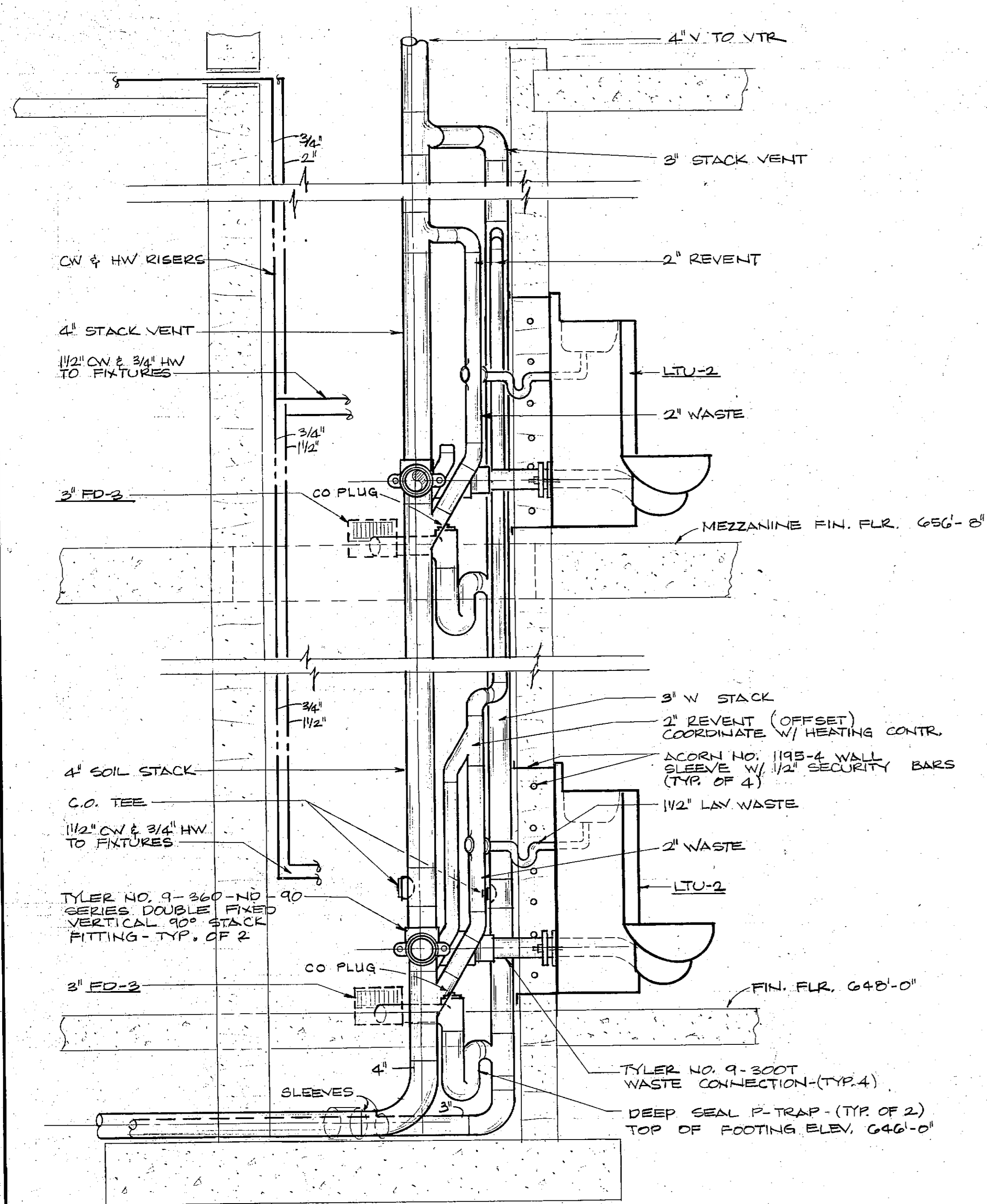
FRANKLIN COUNTY ADULT JAIL
 UNION, MISSOURI

PEARCE CORPORATION
 One Mercantile Center
 Saint Louis, Missouri 63101

Siebold, Sydow & Elfanbaum Inc.
 Structural Engineers
 Colton/Lester/Niederborn Associates, Inc.
 Mechanical & Electrical Engineers
 Walker McGough Foltz Lyster, P.S.
 Security Consultants

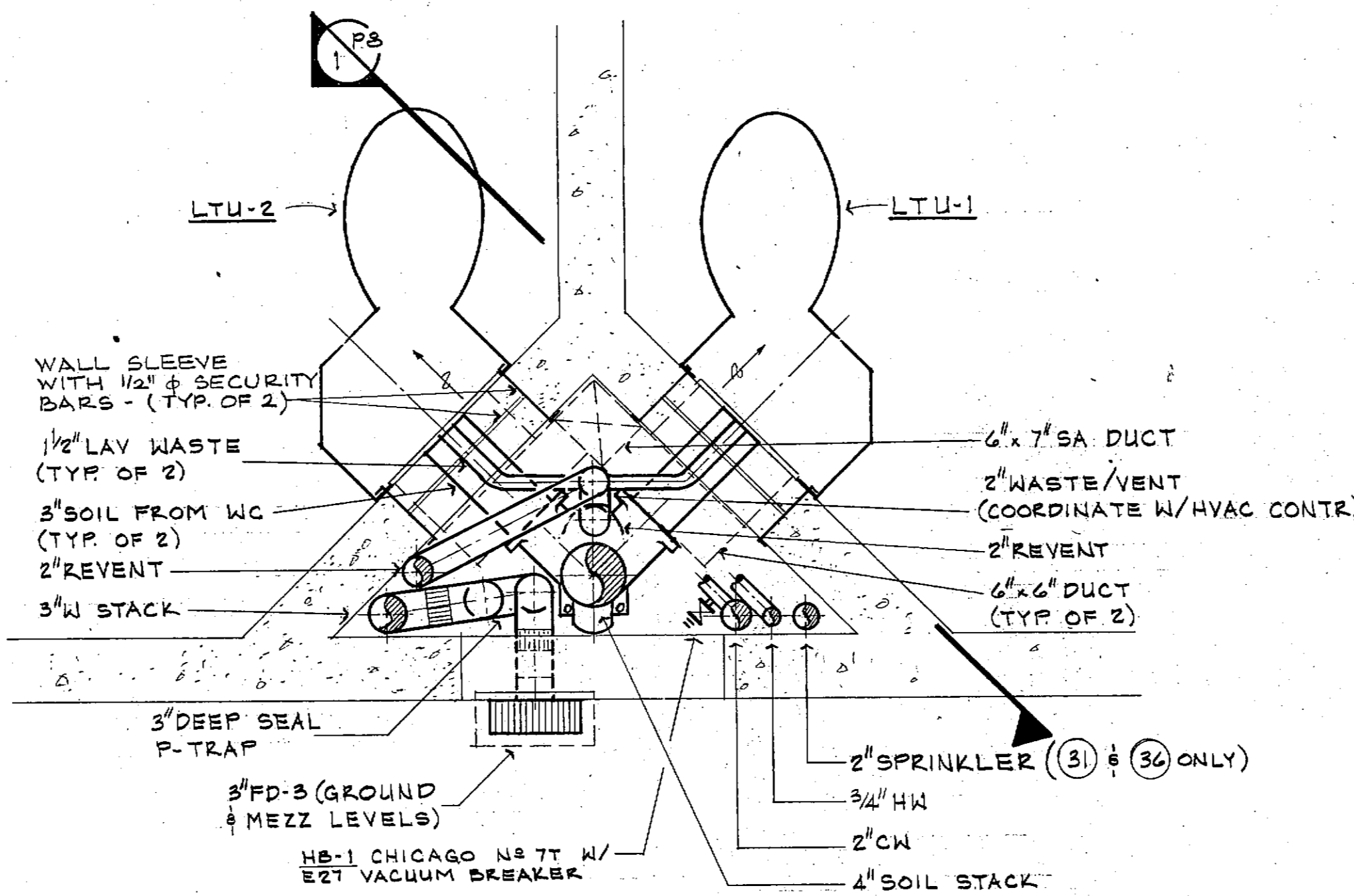
HAROLD COLTON
 NUMBER
 E13458
 REGISTERED PROFESSIONAL ENGINEER

DRAWN BY D.P.T.	P-7
CHECKED BY C.A.L.	
REVISION	
PROJ. NO. BA-07-1-00	DRAWING NO.
DATE 3/15/85	



PUMP SCHEDULE					
MARK	SERVICE	GPM	TDH (FT)	ELEC	REMARKS
BP-1	BOOSTER PUMP	50	173	480V/3φ	
HWRP-1	HOT WATER (120°F) RECIRCULATION PUMP	10	5	120V/1φ	CONTINUOUS RUNNING
HWRP-2	HOT WATER (120°F) RECIRCULATION PUMP	10	5	120V/1φ	CONTINUOUS RUNNING
BP-2	BOOSTER PUMP	(2)877	70	480V/3φ	

FIXTURE BRANCH SCHEDULE								
MARK	FIXTURE	HW	CW	TW	DRAIN	TRAP	VENT	REMARKS
WC-1	WATER CLOSET		1"		4"	INTEGRAL	2"	SEE NOTE ①
WC-2			1"					
WC-3			1"					
WC-4	WATER CLOSET (STAINLESS STEEL)		1 1/2"					
WC-5	WATER CLOSET (STAINLESS STEEL)		1 1/2"					
LTU-1	LAV/TOILET UNIT (STAINLESS STEEL)	1/2"	(1) 1/2" (1) 1/2"		(1) 3/4" (1) 1/2"	INTEGRAL	2"	SEE NOTE ①
LTU-2								①
UR-1	URINAL		3/4"		2"			①
UR-2	URINAL		3/4"		2"			①
LAV-1	LAVATORY	1/2"	1/2"		2"	1/4"	2"	①
LAV-2								H.C. ①
LAV-3								①
LAV-4								①
LAV-5								H.C. ①
LAV-6								①
LAV-7								H.C. ①
S-1	SINK							
S-2								
S-3								
S-4					2"AW	1/2"AW	2"AV	
SH-1	SHOWER			1/2"	2"FD-4		2"	
SH-2				1/2"	2"FD-4			H.C. ①
SH-3		1/2"	1/2"		2"FD-4			
SH-4		1/2"	1/2"		2"FD-1			
SH-5					2"FD-1			H.C. ①
EWC-1	ELECTRIC WTR COOLER		1/2"			1 1/4"	2"	H.C. ①
EWC-2	ELECTRIC WTR COOLER					2"	1 1/4"	①
MB-1	MOP BASIN ROUGH-IN	1/2"			3"	3"		
RI-1	FUTURE SINK	1/2"			2"	1 1/2"		
RI-2	ROUGH-IN WASHING MACH.	3/4"	3/4"					

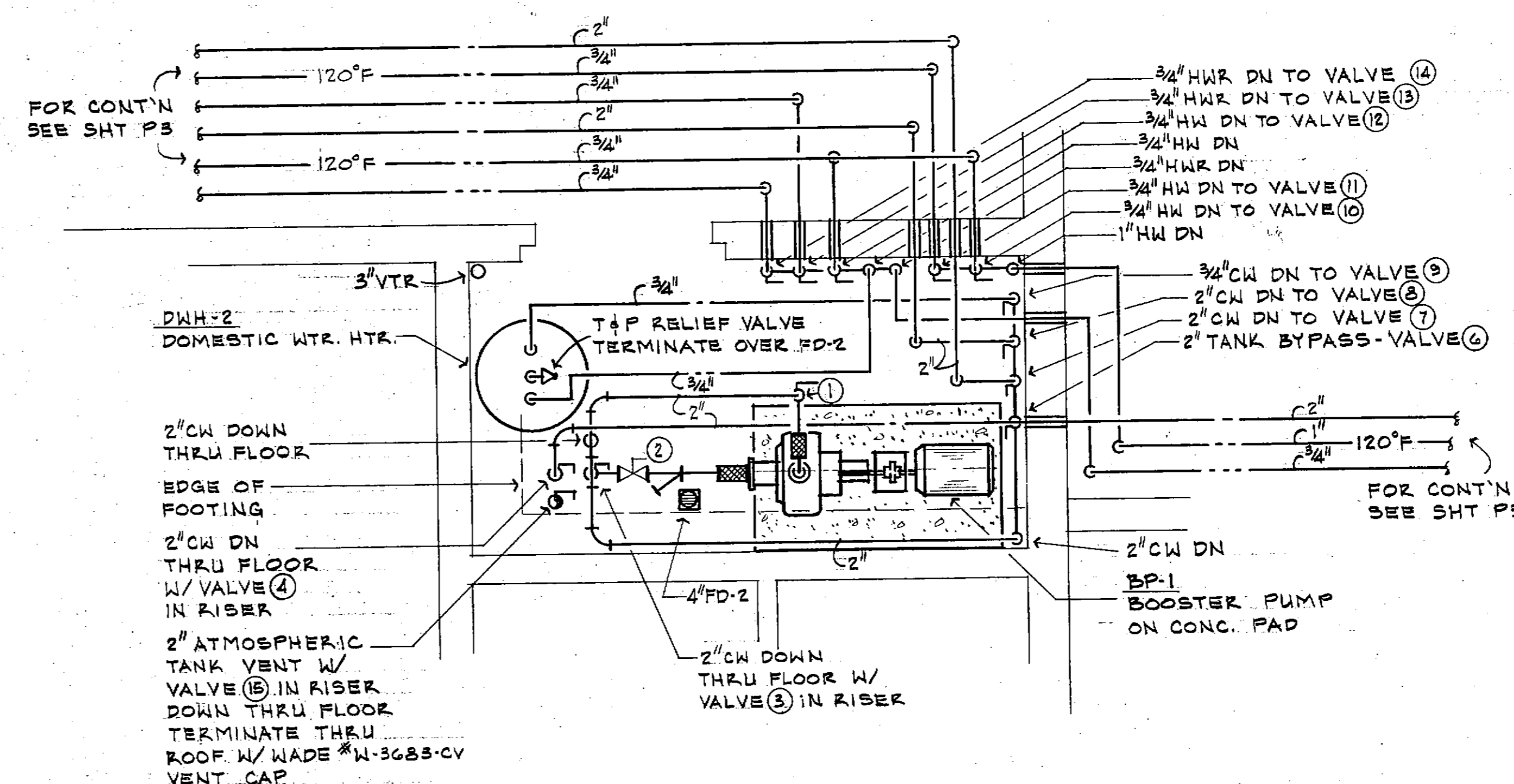


GROUND FLOOR CHASE PLAN

SCALE: 1"=1'-0"
TYPICAL FOR RISERS 31, 32, 33, 34, 35, 36

VALVE OPERATION SCHEDULE				
VALVE NO	NORMAL POS. OPERATION (SP. 1. OFF)	E.O.C. OPERATION (SP. 1. ON)	E.O.C. OPERATION (SP. 1. ON)	E.O.C. OPERATION (SP. 1. ON)
1	O	O	O	O
2	C	O	O	O
3	O	O	O	O
4	O	O	O	O
5	C	O	O	O
6	C	O	O	O
7	O	O	O	O
8	O	O	O	O
9	C	O	O	O
10	O	O	O	O
11	O	O	O	O
12	C	O	O	O
13	O	O	O	O
14	O	O	O	O

O = OPEN
C = CLOSED



PARTIAL FLOOR PLAN - ROOM 29

SCALE: 1/2"=1'-0"

PLUMBING SYMBOLS AND ABBREVIATIONS

- SANITARY DRAIN (SOIL OR W)
- SANITARY VENT (V)
- ST — STORM DRAIN (ST)
- DT — SUBSOIL DRAIN TILE (DT)
- AW — ACID WASTE (AW)
- AV — ACID VENT (AV)
- ID — INDIRECT WASTE DRAIN
- CW — COLD WATER (CW)
- 120°F — HOT WATER (HW) TEMPERATURE AS INDICATED
- 120°F — HOT WATER RETURN (HWR) TEMPERATURE AS INDICATED
- GATE VALVE (GV)
- BALL VALVE (BV)
- BUTTERFLY VALVE (BFV)
- CHECK VALVE (CV)
- BALANCING COCK (BC)
- PRESSURE REDUCING VALVE (PRV)
- SOLENOID OPERATED VALVE-ELEC. (SV)
- TEMPERATURE & PRESSURE RELIEF VALVE (T&P)
- HOSE END VALVE (HEV)
- AQUASTAT
- REDUCED PRESSURE BACKFLOW PREVENTER (RPBP)
- THERMOMETER
- PRESSURE GAUGE
- STRAINER
- UNION
- PIPE ELBOW UP
- PIPE ELBOW DN
- BRANCH-TOP CONNECTION
- BRANCH-BOTTOM CONNECTION
- CAP
- DIRECTION OF FLOW
- PIPE SLEEVE
- PIPE ANCHOR
- PIPE CLEANOUT (CO)
- WATER HAMMER ARRESTOR (WHA)
- EXPANSION JOINT
- VENT THRU ROOF (VTR)
- FLOOR CLEANOUT (FLR.CO)
- FLOOR DRAIN (FD-1)
- AREA DRAIN (AD-1)
- ROOF DRAIN (RD-1)
- GROUND HYDRANT (GH-1)
- WALL HYDRANT (WH-1)
- HOSE BIBB (HB-1)
- RISER DIAGRAM DESIGNATION
- AFF — ABOVE FINISHED FLOOR
- AP — ACCESS PANEL
- DS — DOWNSPOUT
- ELEV — ELEVATION
- IE — INVERT ELEVATION
- MTD — MOUNTED
- W — WASTE
- HC — HANDICAPPED
- EC — ELECTRICAL CONTRACTOR
- HC — HEATING CONTRACTOR
- PC — PLUMBING CONTRACTOR
- SC — SPRINKLER CONTRACTOR
- GC — GENERAL CONTRACTOR
- VP — VANDAL PROOF
- FL. — FLOW LINE
- TF — TOP OF FOOTING
- DF — BOTTOM OF FOOTING

PIPING SCHEMATIC - ROOM 29

NO SCALE

NOTES:
1. ALL VALVES FOR THIS SYSTEM SHALL BE IDENTIFIED BY NUMBER CORRESPONDING TO VALVE OPERATION SCHEDULE, WITH ENGRAVED LAMINATED PLASTIC TAG ATTACHED TO PIPE INSULATION SACKET AT VALVE LOCATION. VALVE OPERATION SCHEDULE SHALL BE DUPLICATED, FRAMED IN GLASS, AND MOUNTED IN ROOM 29

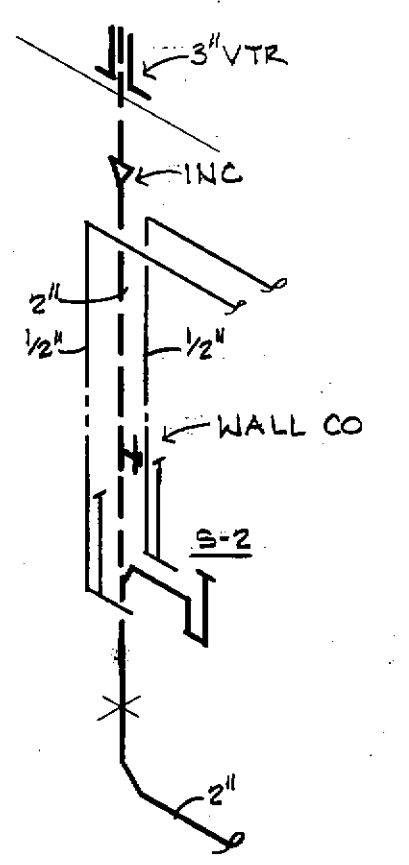
FRANKLIN COUNTY ADULT JAIL
UNION, MISSOURI

PEARCE CORPORATION

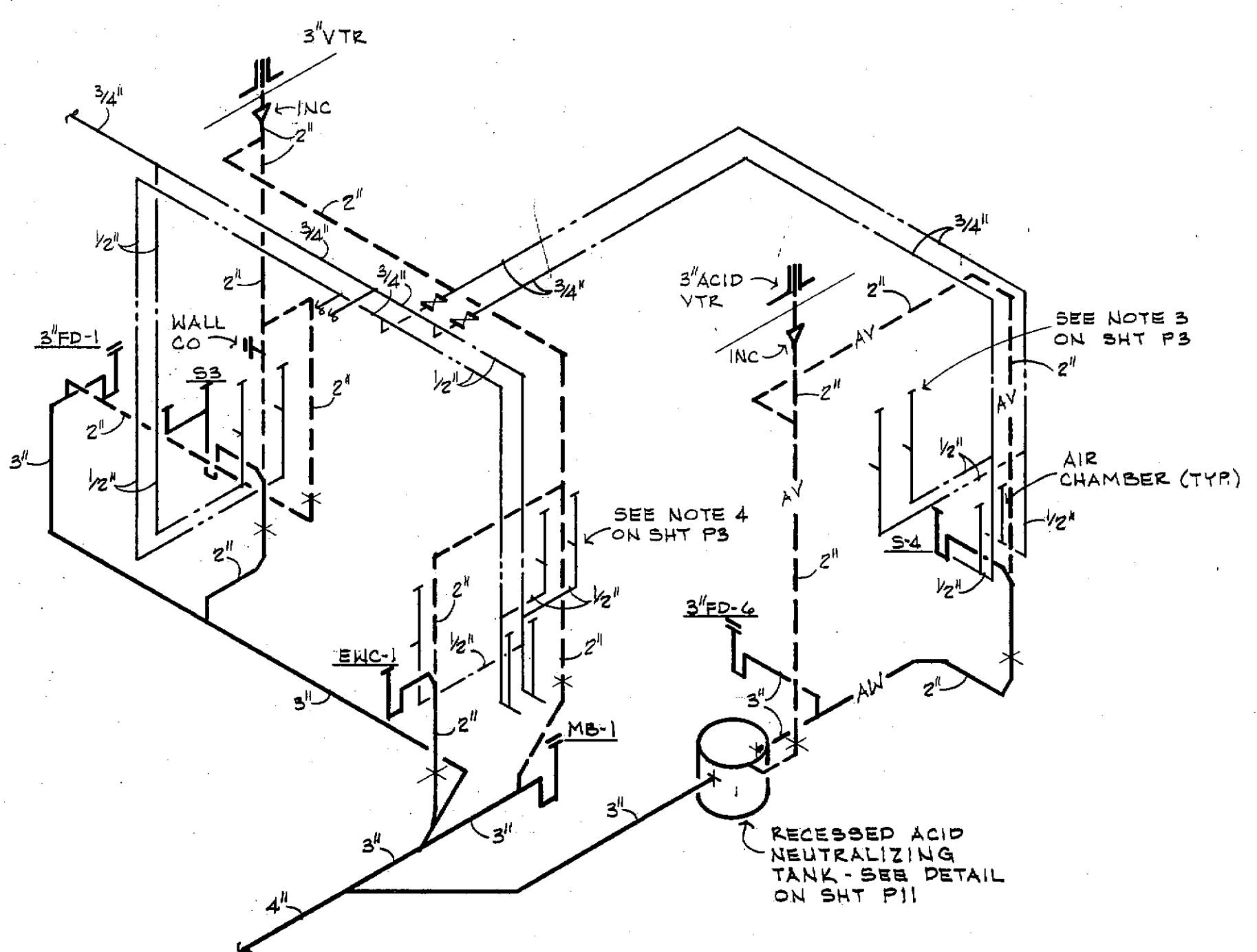
One Mercantile Center
Saint Louis, Missouri 63101

Stebold, Sydow & Elbaum Inc.
Structural Engineers
Colton/Lester/Niederkorn Associates, Inc.
Mechanical & Electrical Engineers
Walker, McGough, Foltz, Lyster, P.S.
Security Consultants

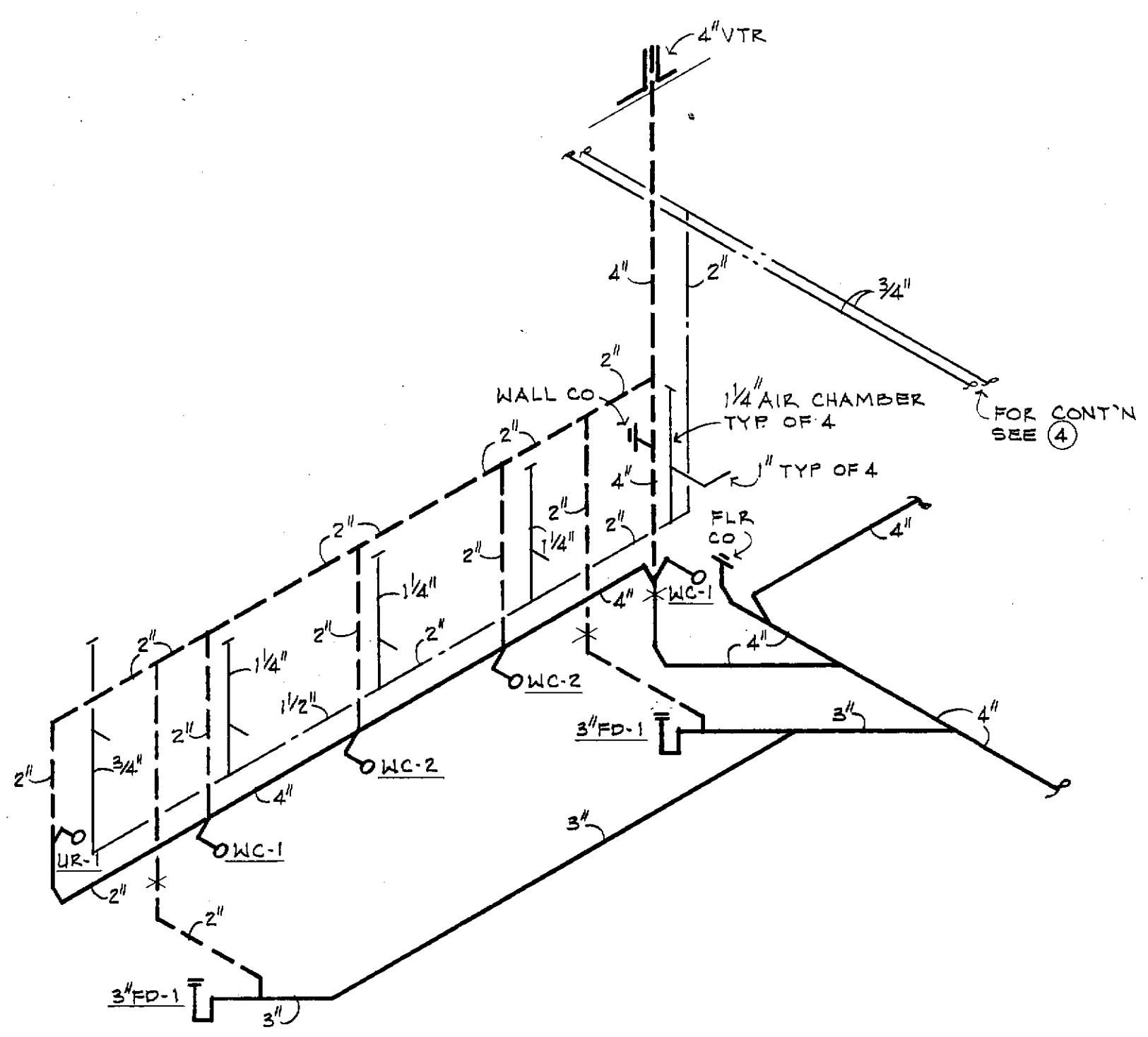
	DRAWN BY P.E.T.	<p>P-8</p>
	CHECKED BY C.A.L.	
<p>PROJ. NO. 84-07.1.00</p>	<p>DATE 3/15/85</p>	<p>DRAWING NO.</p>



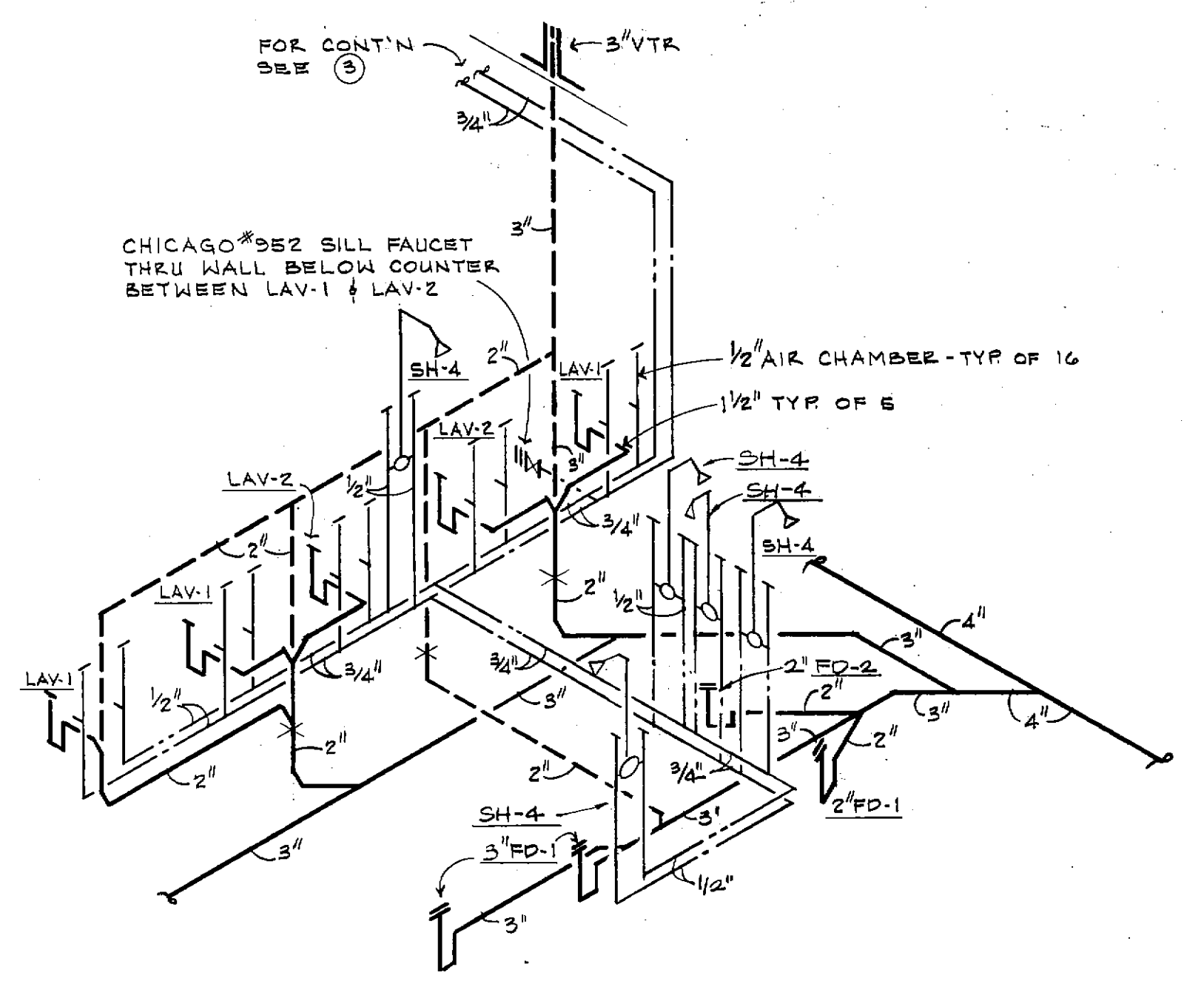
① RISER



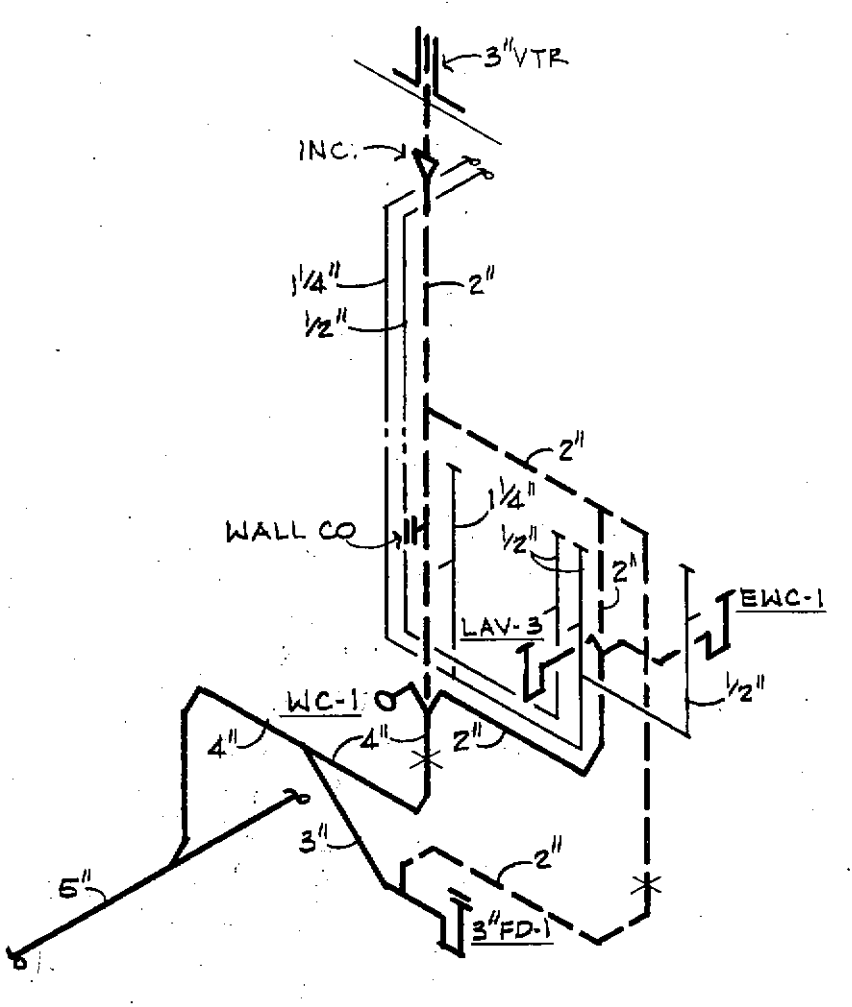
② RISER



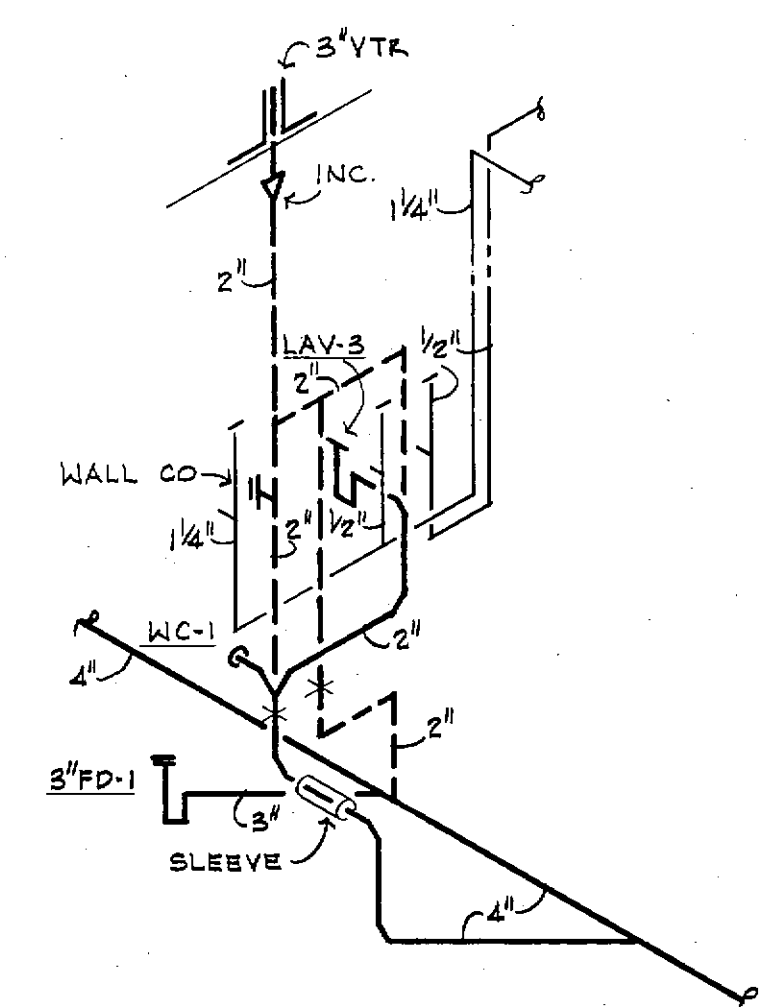
③ RISER



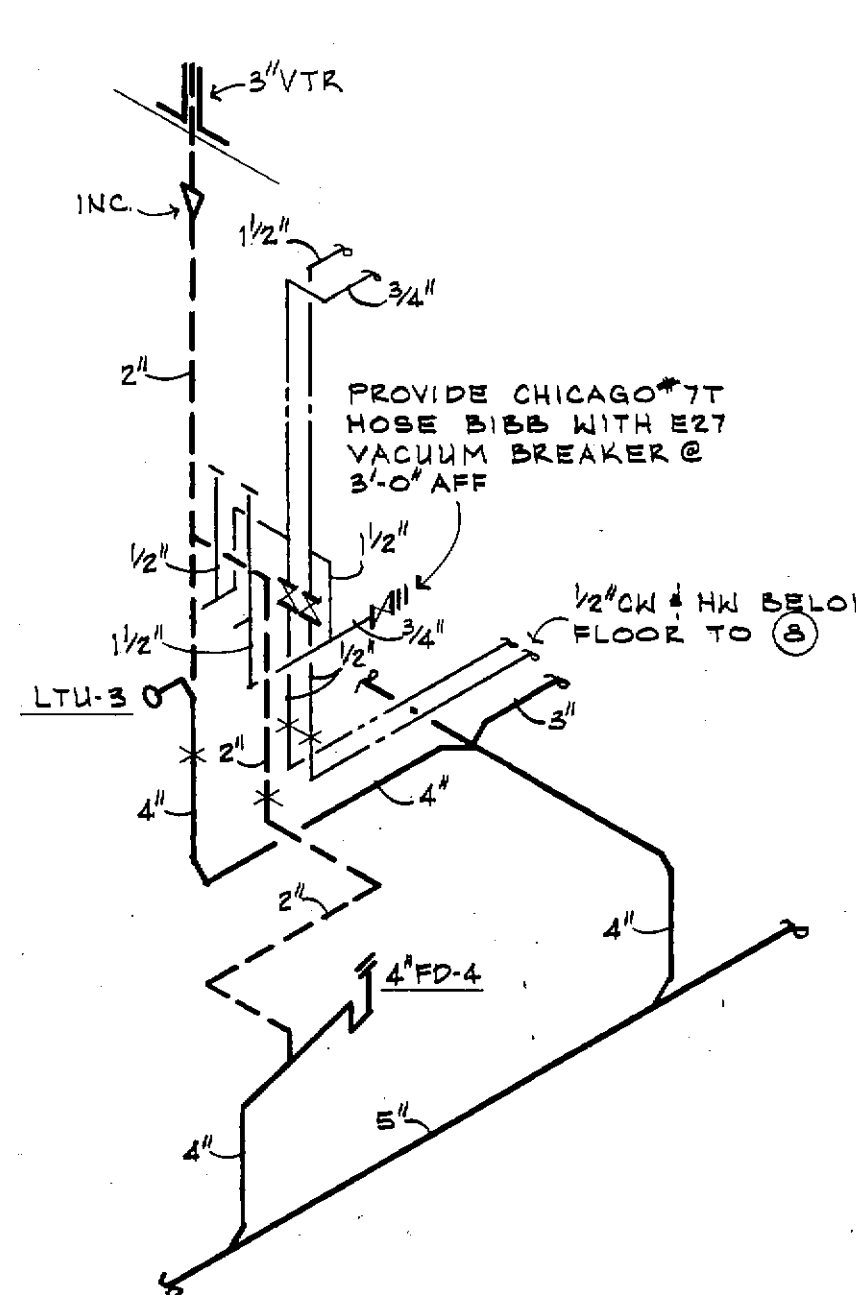
④ RISER



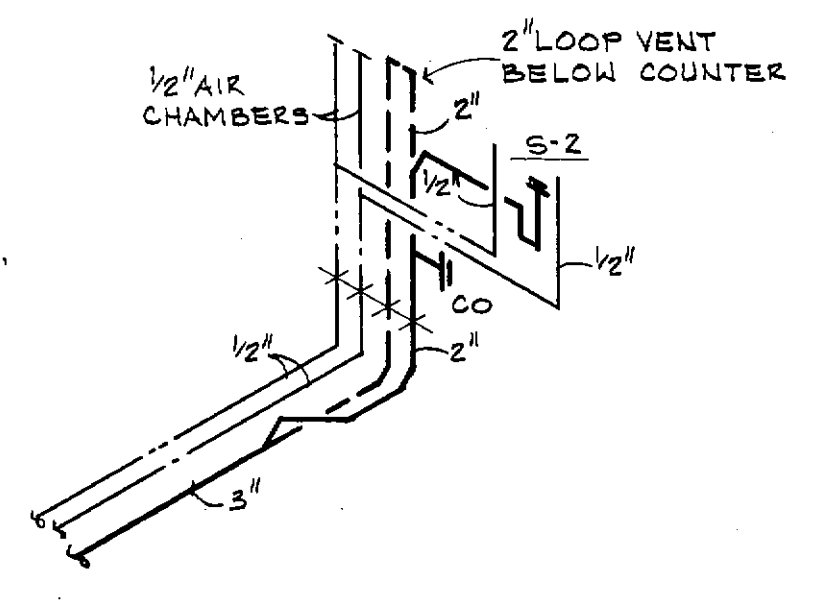
⑤ RISER



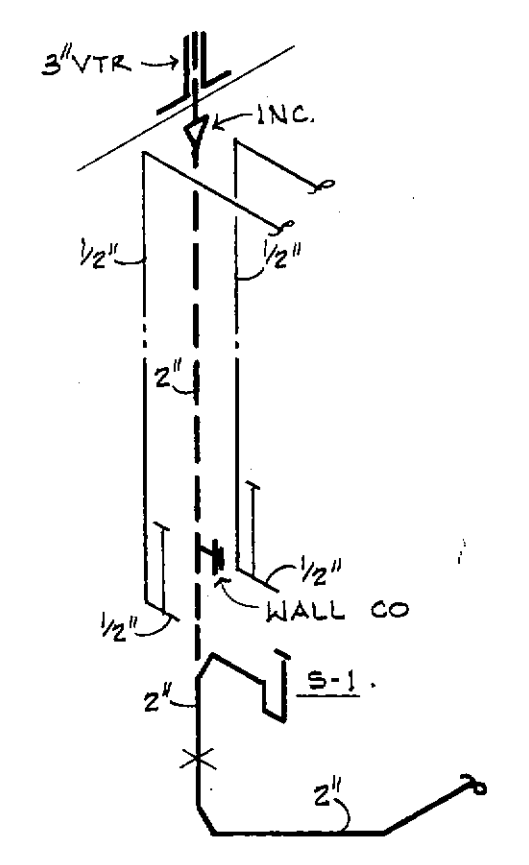
⑥ RISER



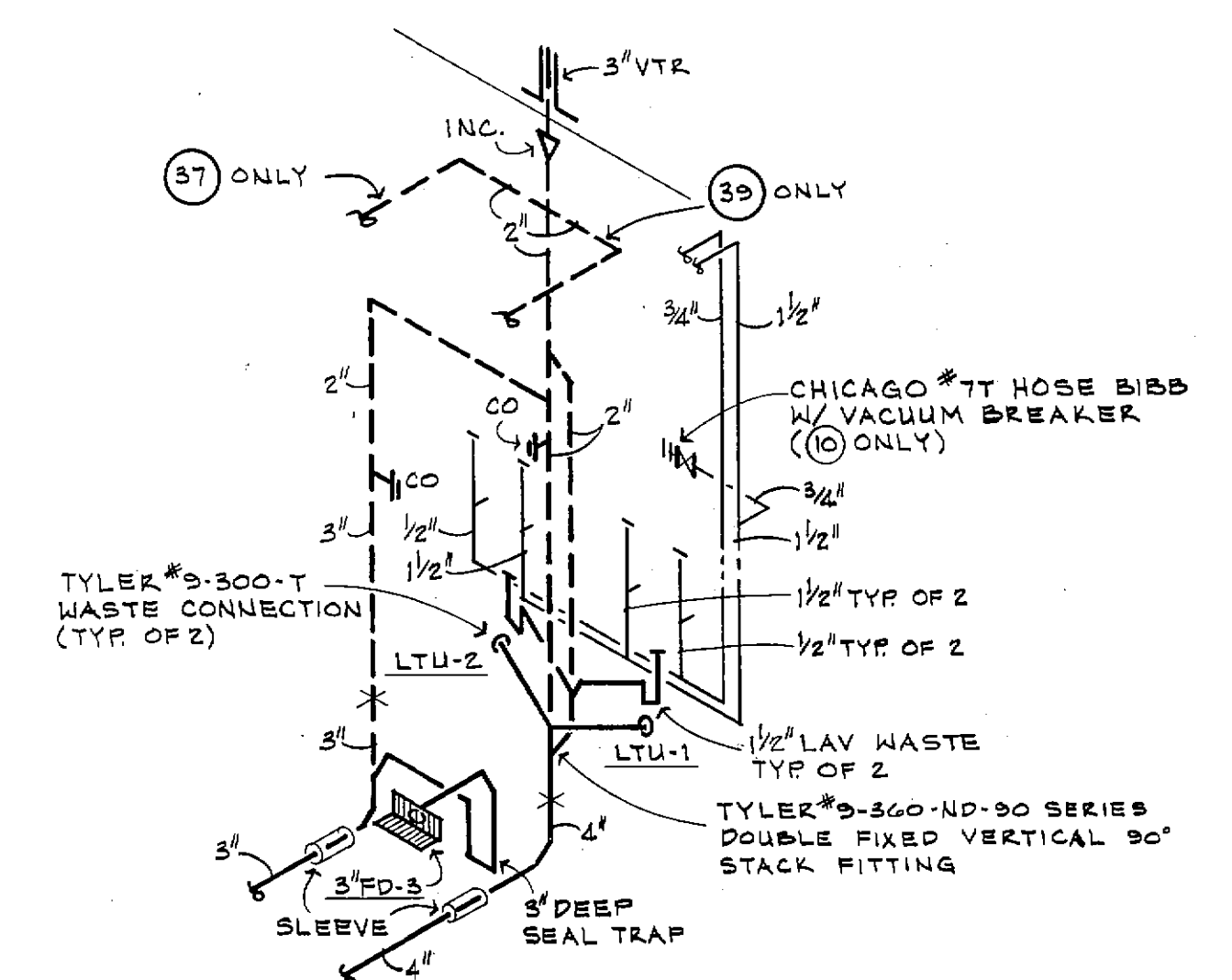
⑦ RISER



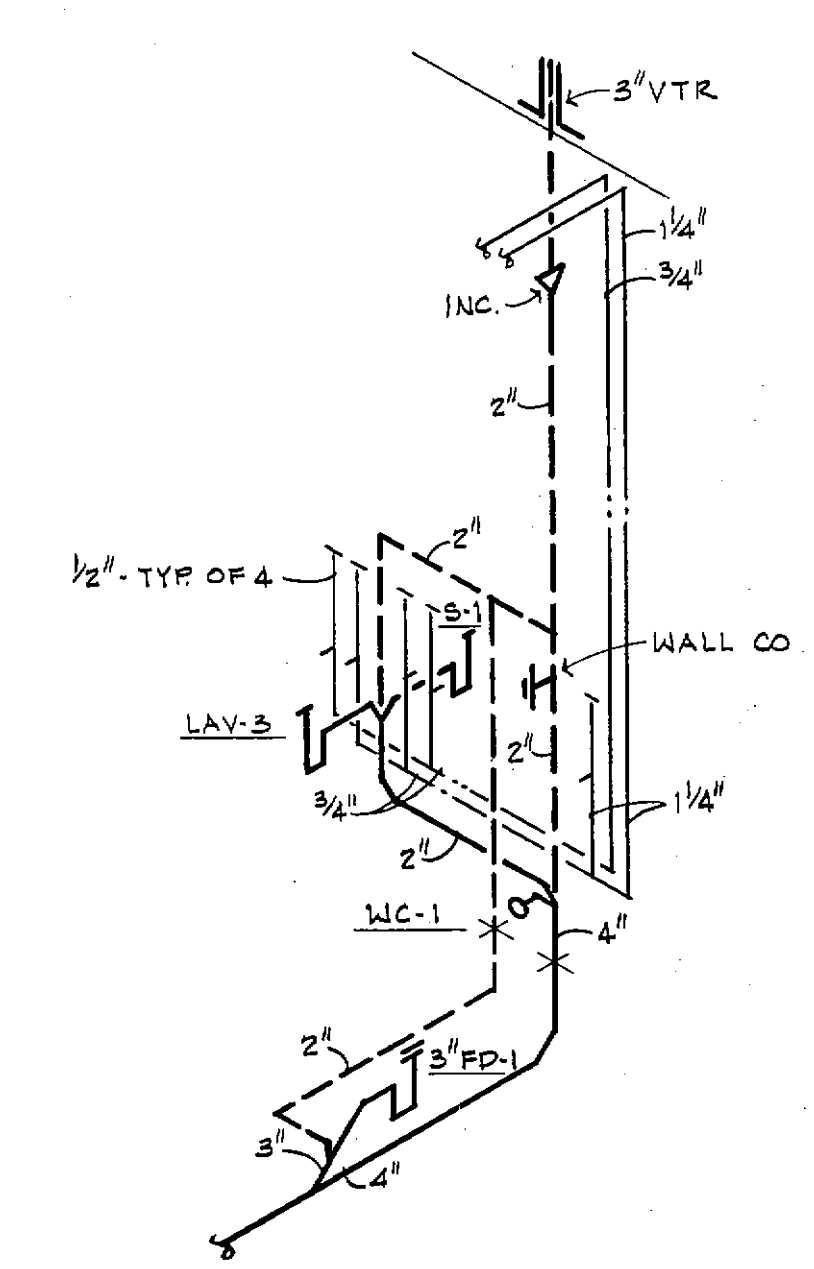
⑧ RISER



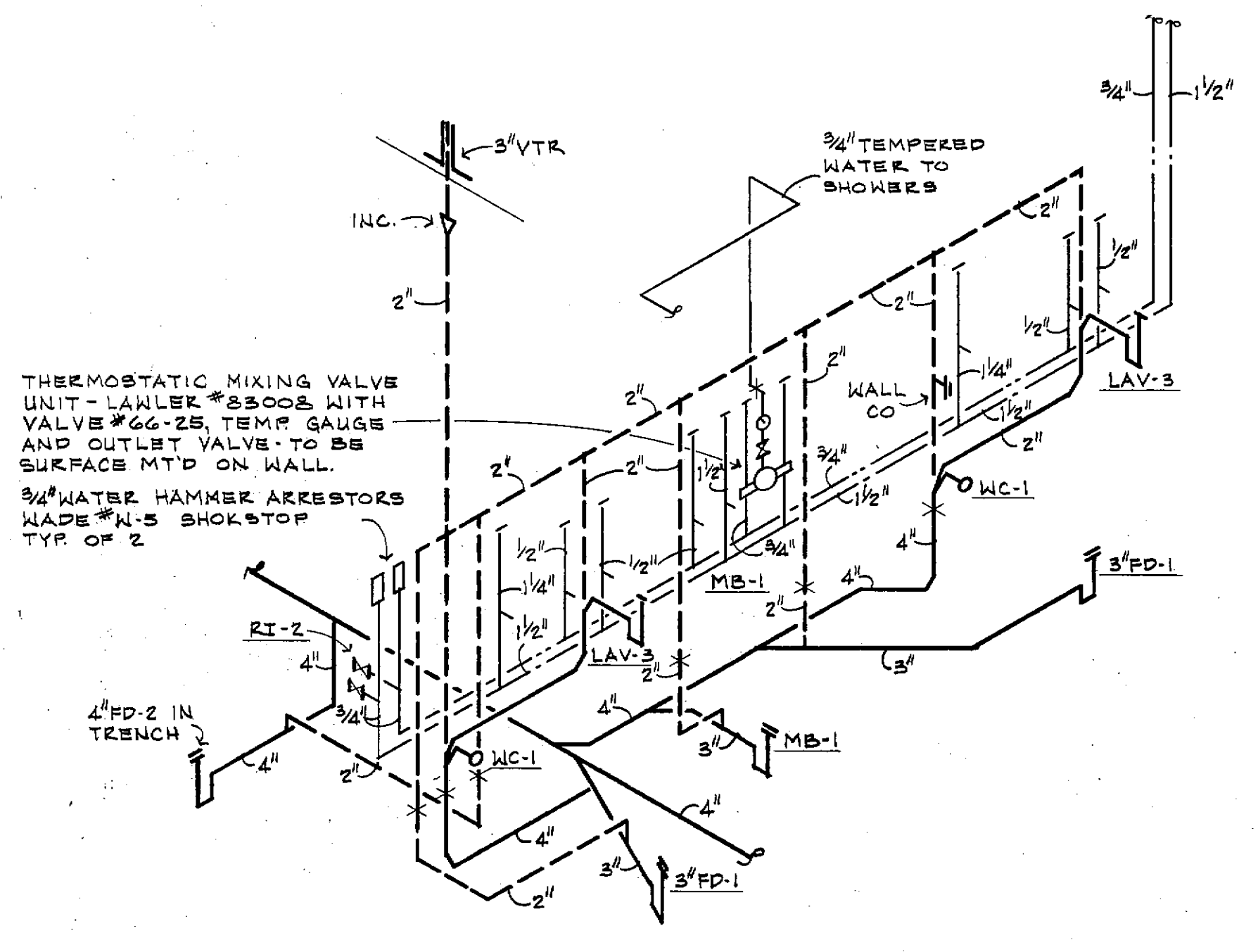
⑨ RISER



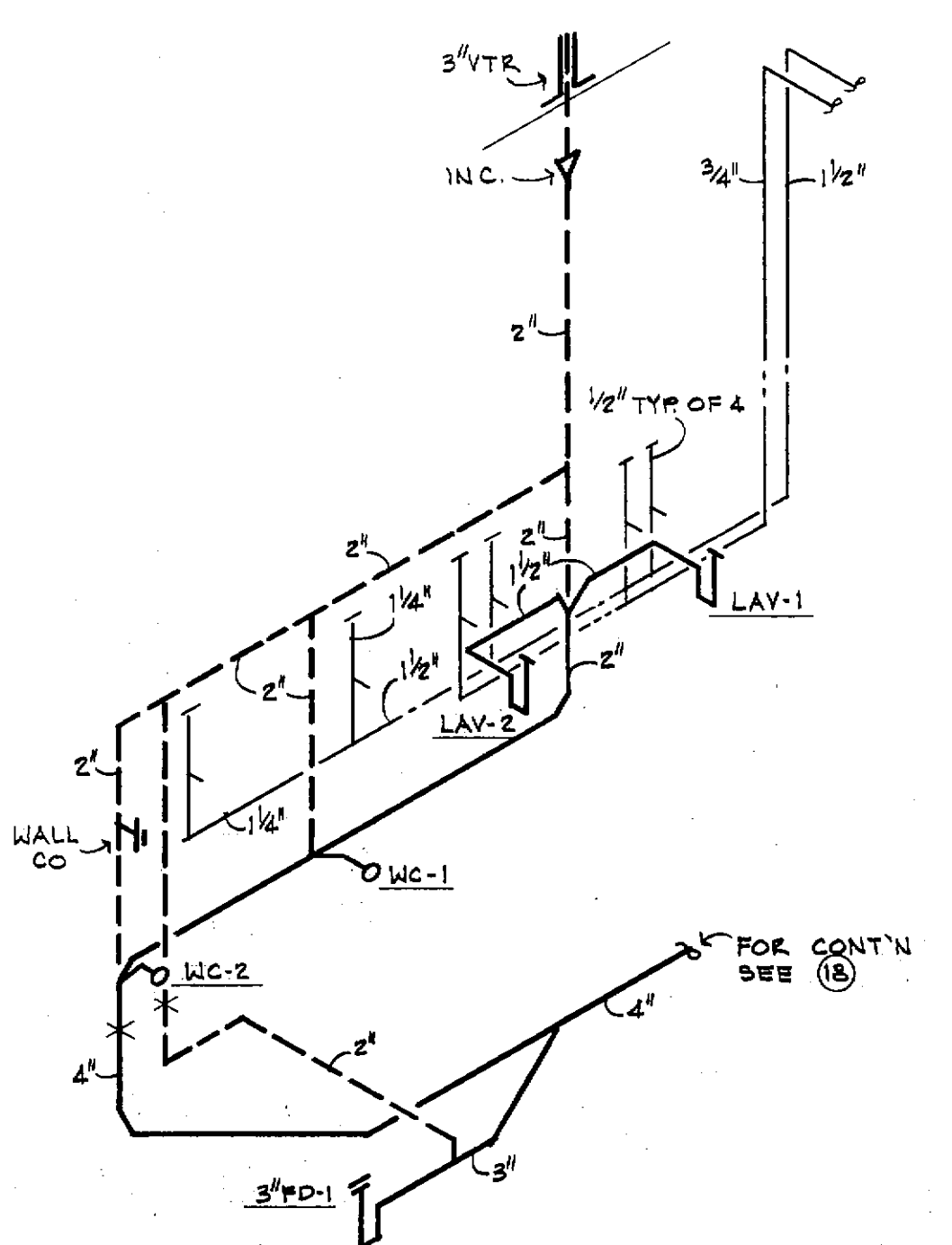
⑩ RISER
TYPICAL FOR ⑪ ⑫ ⑬ ⑭ ⑮ ⑯ ⑰ ⑱ ⑲ ⑳



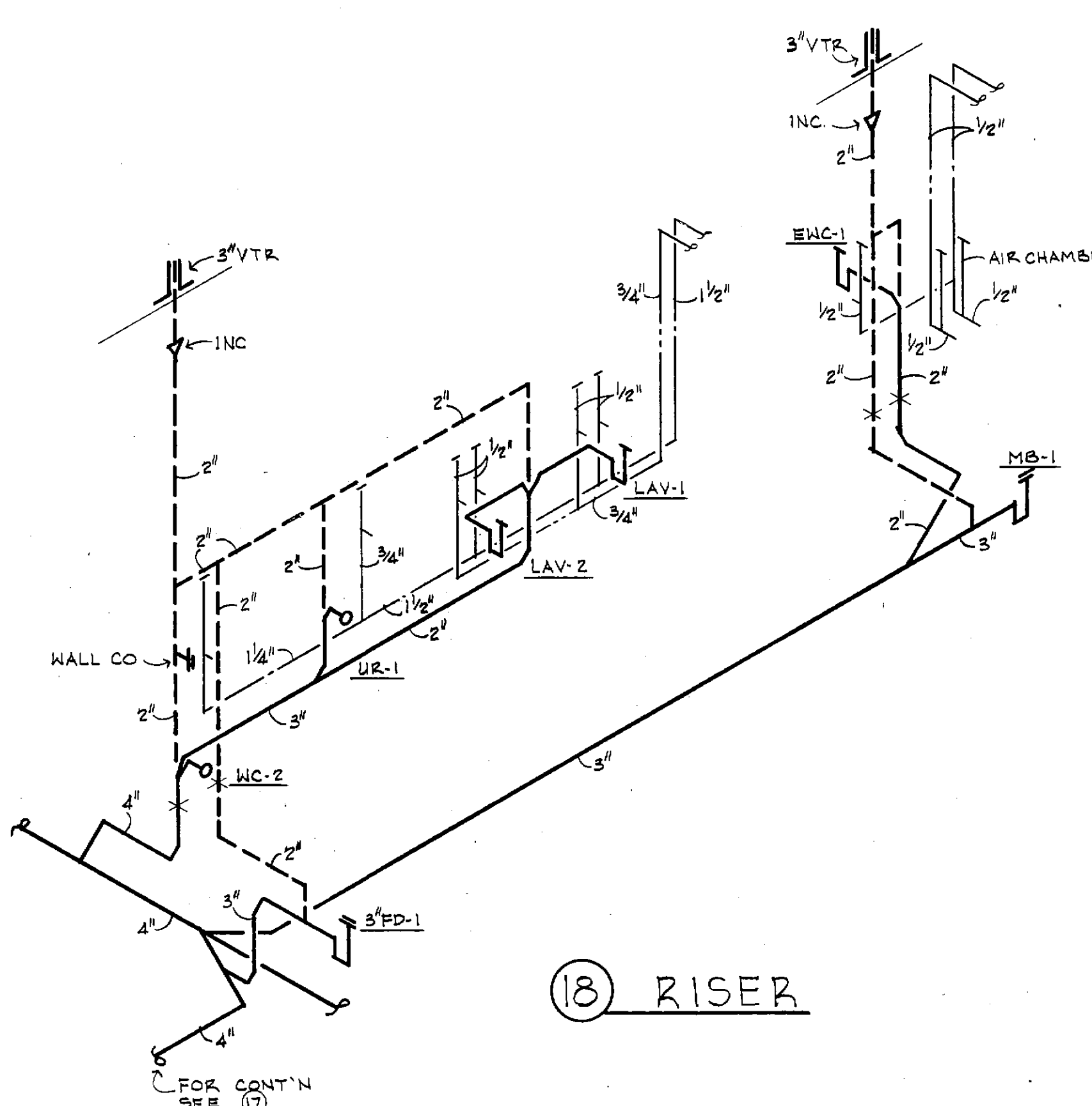
⑬ RISER



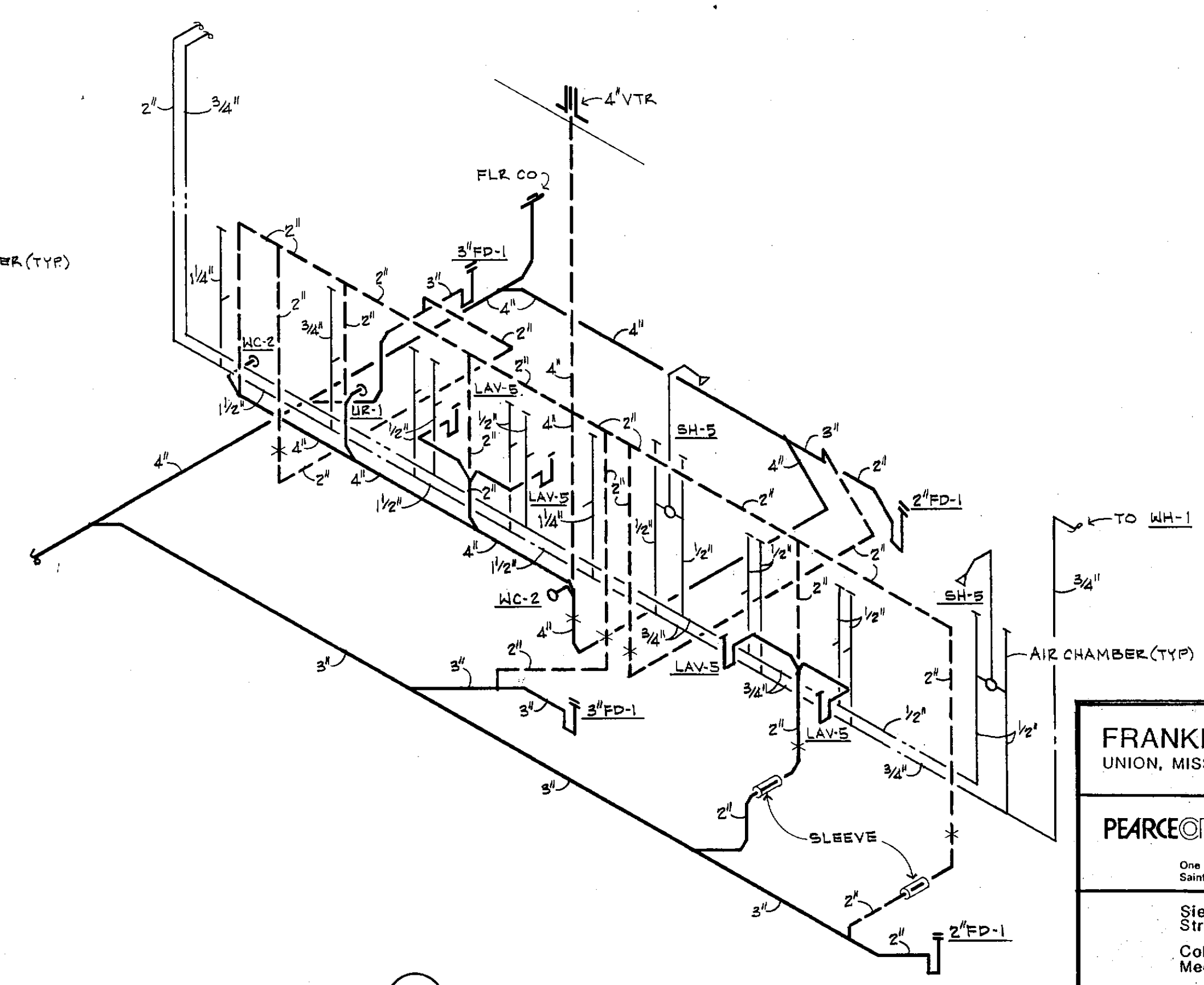
⑭ RISER



⑰ RISER



⑱ RISER



⑲ RISER

FRANKLIN COUNTY ADULT JAIL
UNION, MISSOURI

PEARCE CORPORATION
One Mercantile Center
Saint Louis, Missouri 63101

Stiebold, Sydow & Elfenbaum Inc.
Structural Engineers
Colton/Lester/Niederhorn Associates, Inc.
Mechanical & Electrical Engineers
Walker McGough Foltz Lyster, P.S.
Security Consultants

DRAWN BY
D.R.T.

CHECKED BY
C.A.L.

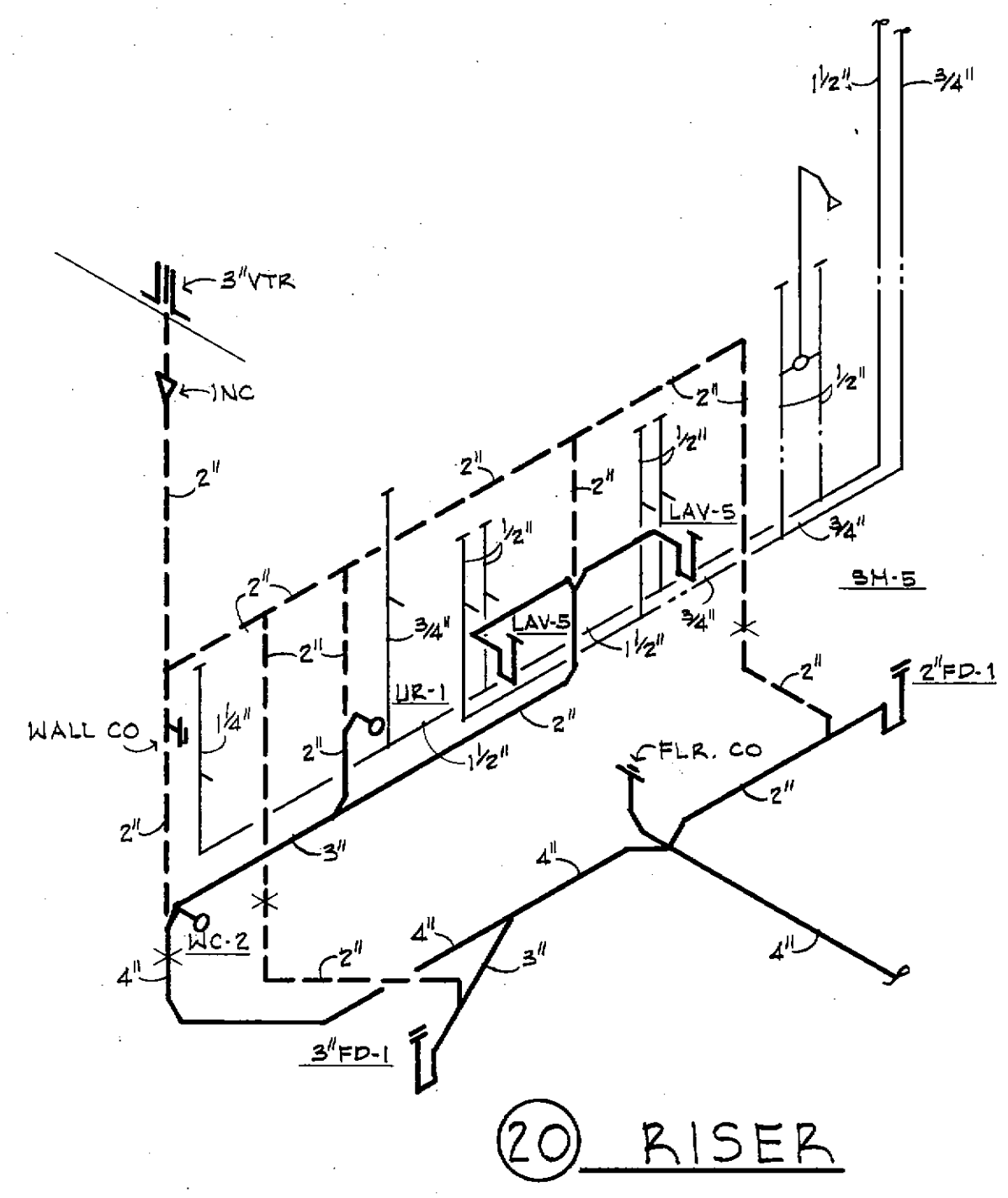
REVISOR

PROJ. NO.
84-07-1-00

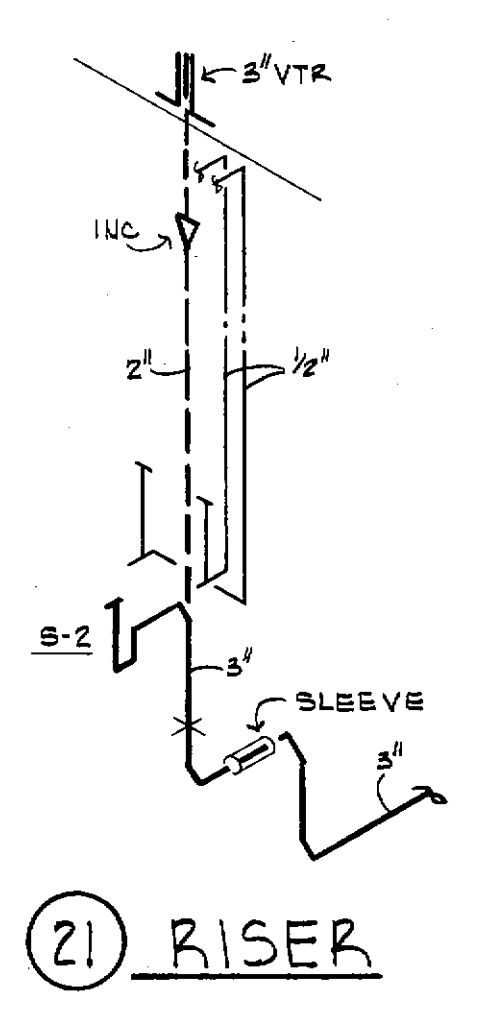
DATE 9/15/85

DRAWING NO.
P-9

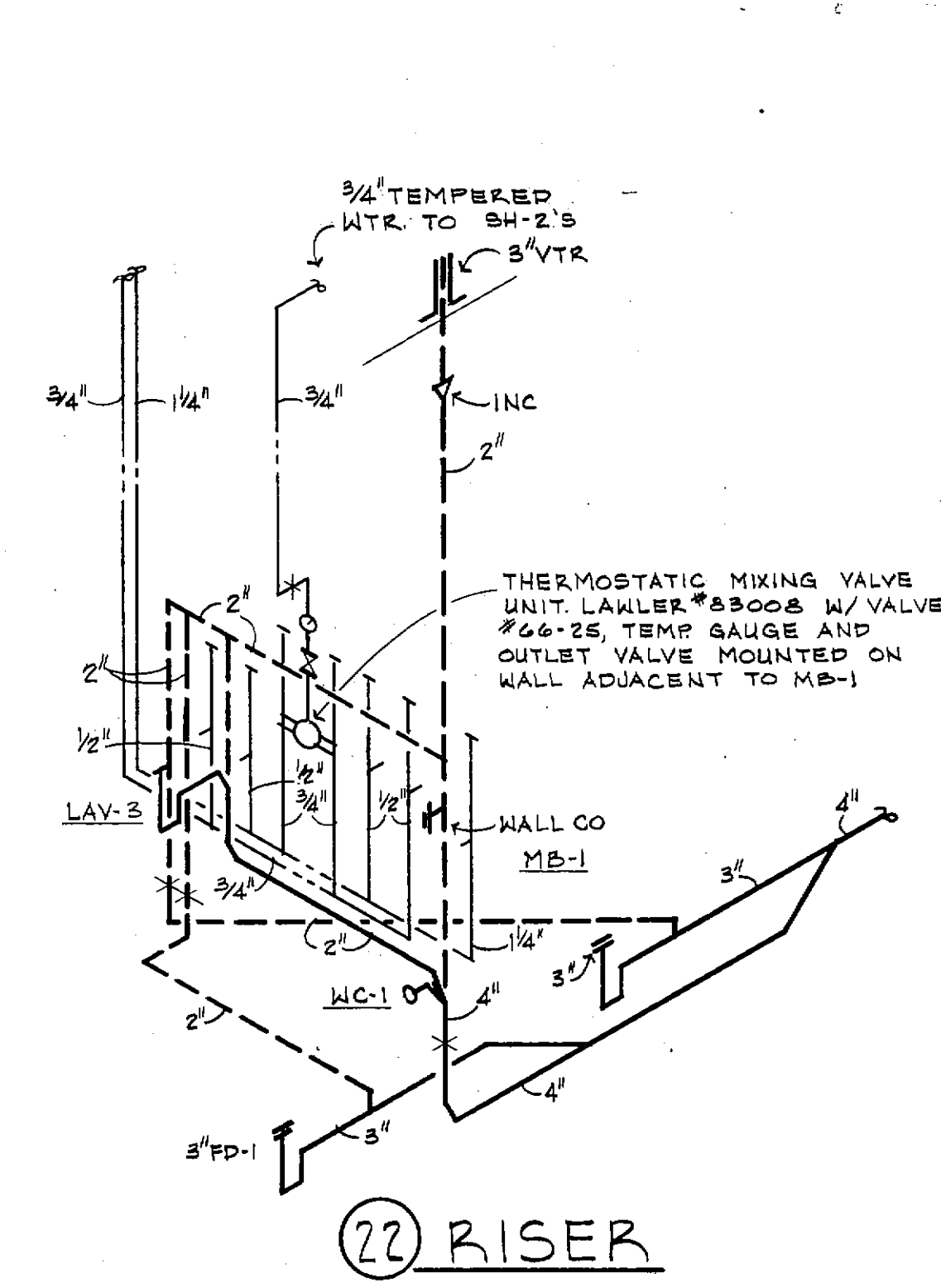
HAROLD COLTON
REGISTERED PROFESSIONAL ENGINEER
STATE OF MISSOURI
NUMBER E-13458



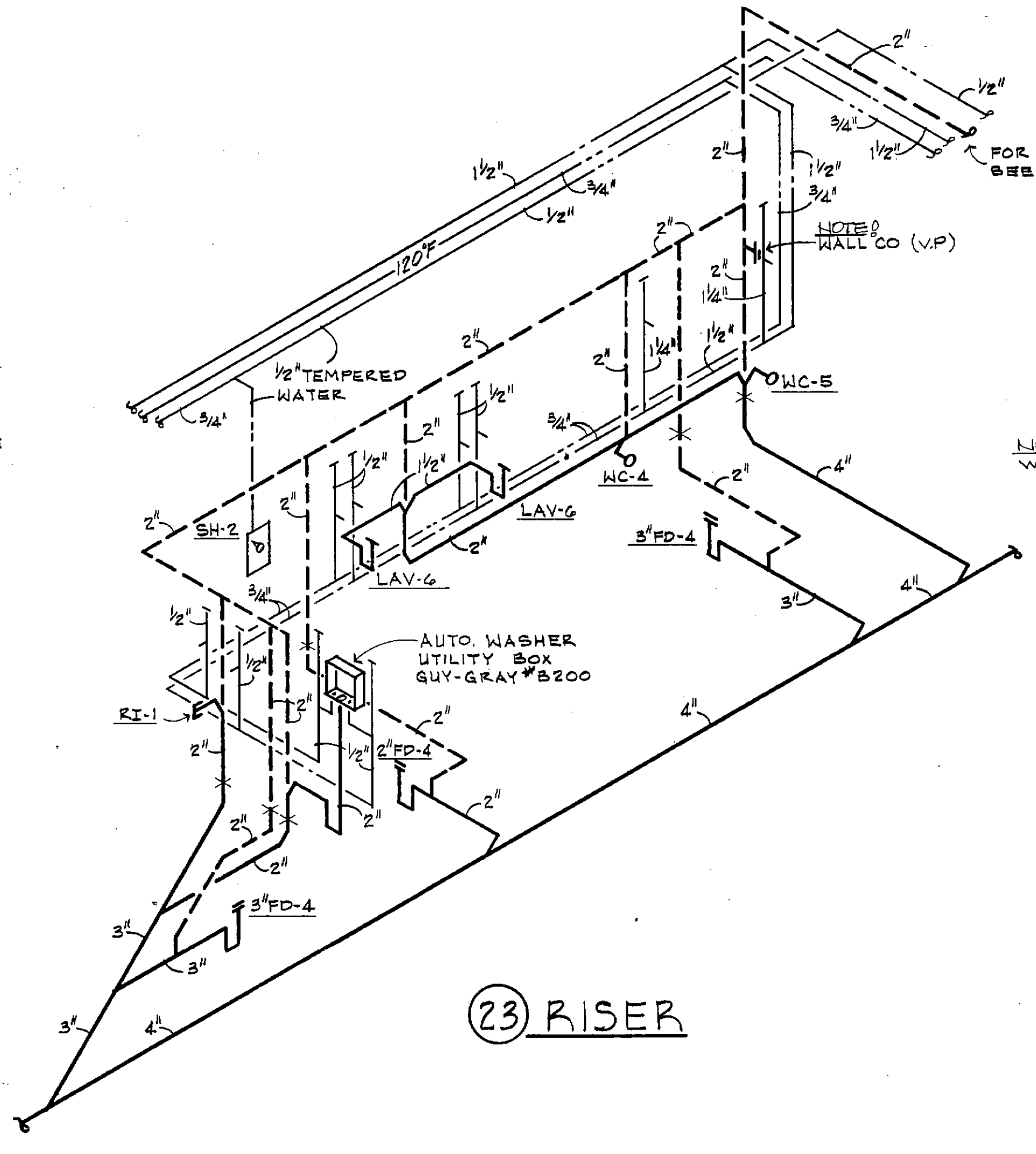
20 RISER



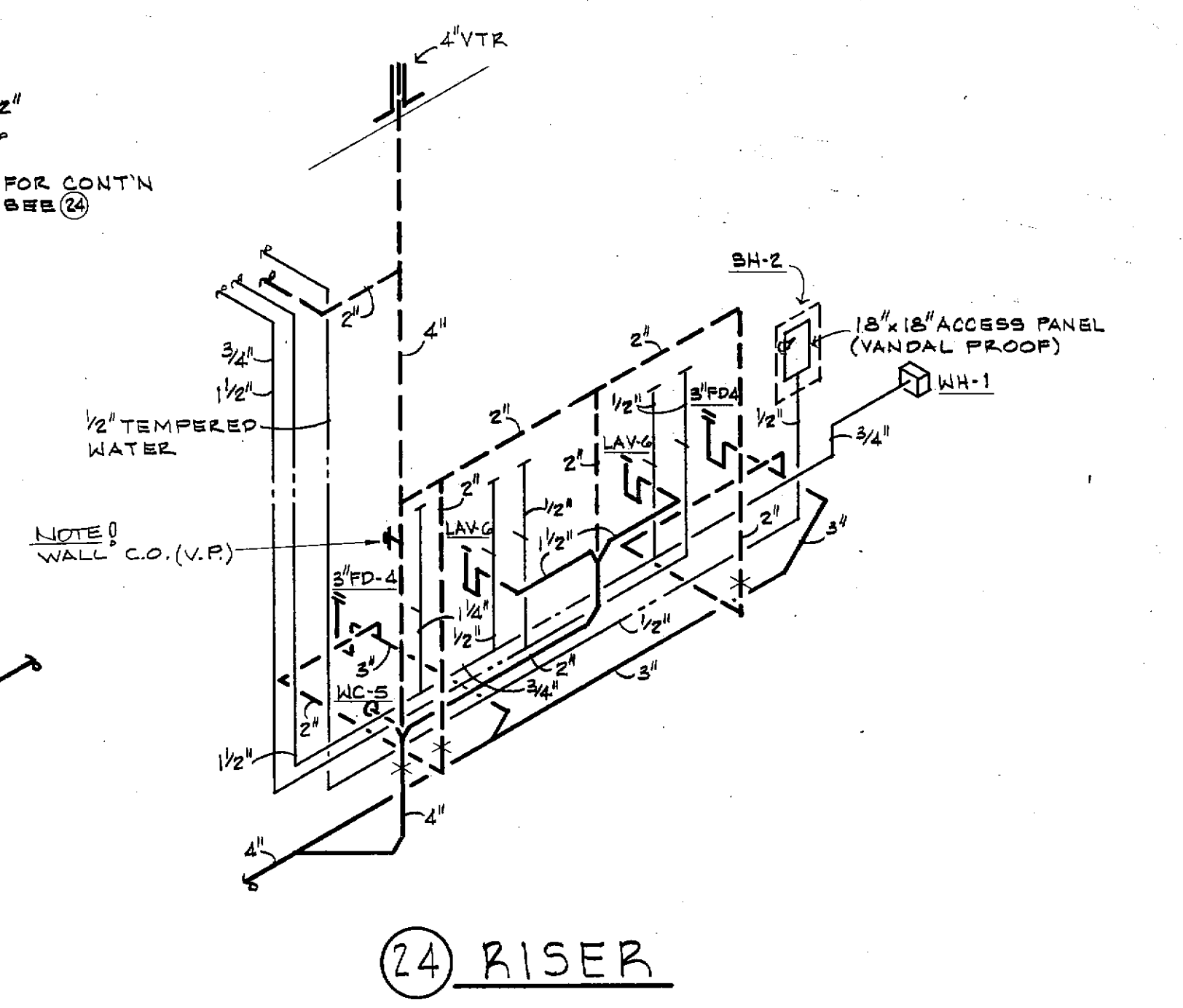
21 RISER



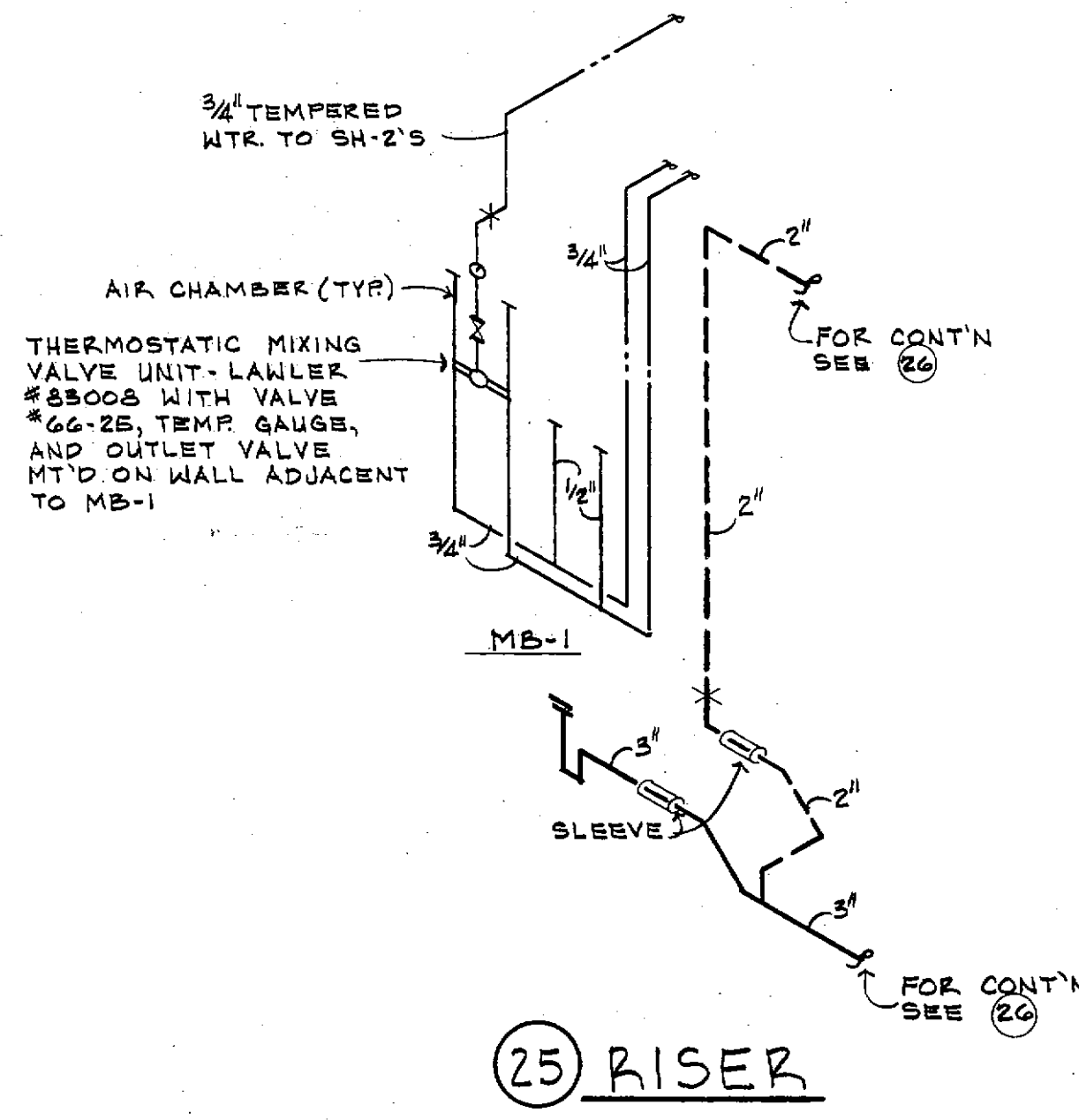
22 RISER



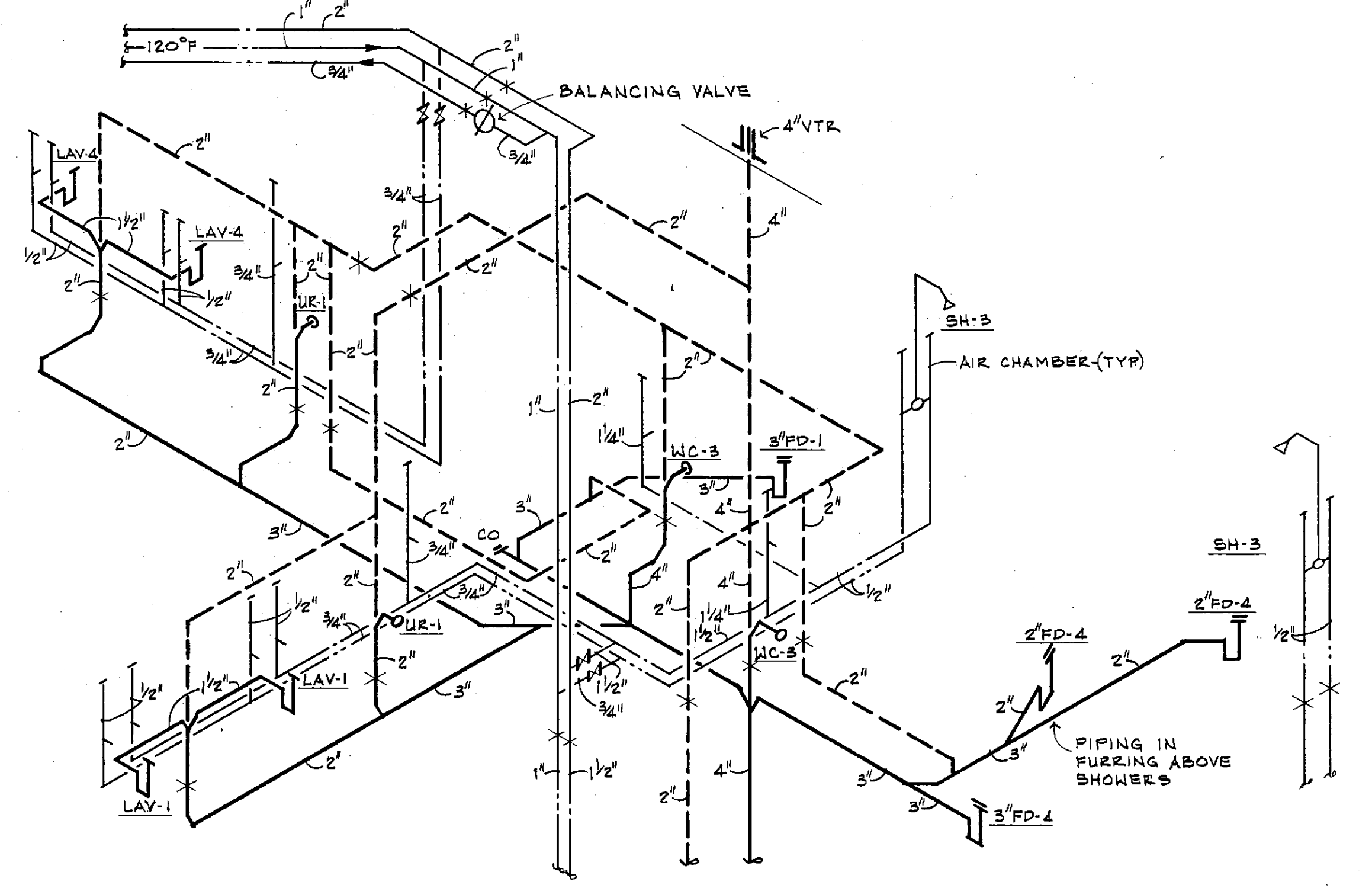
23 RISER



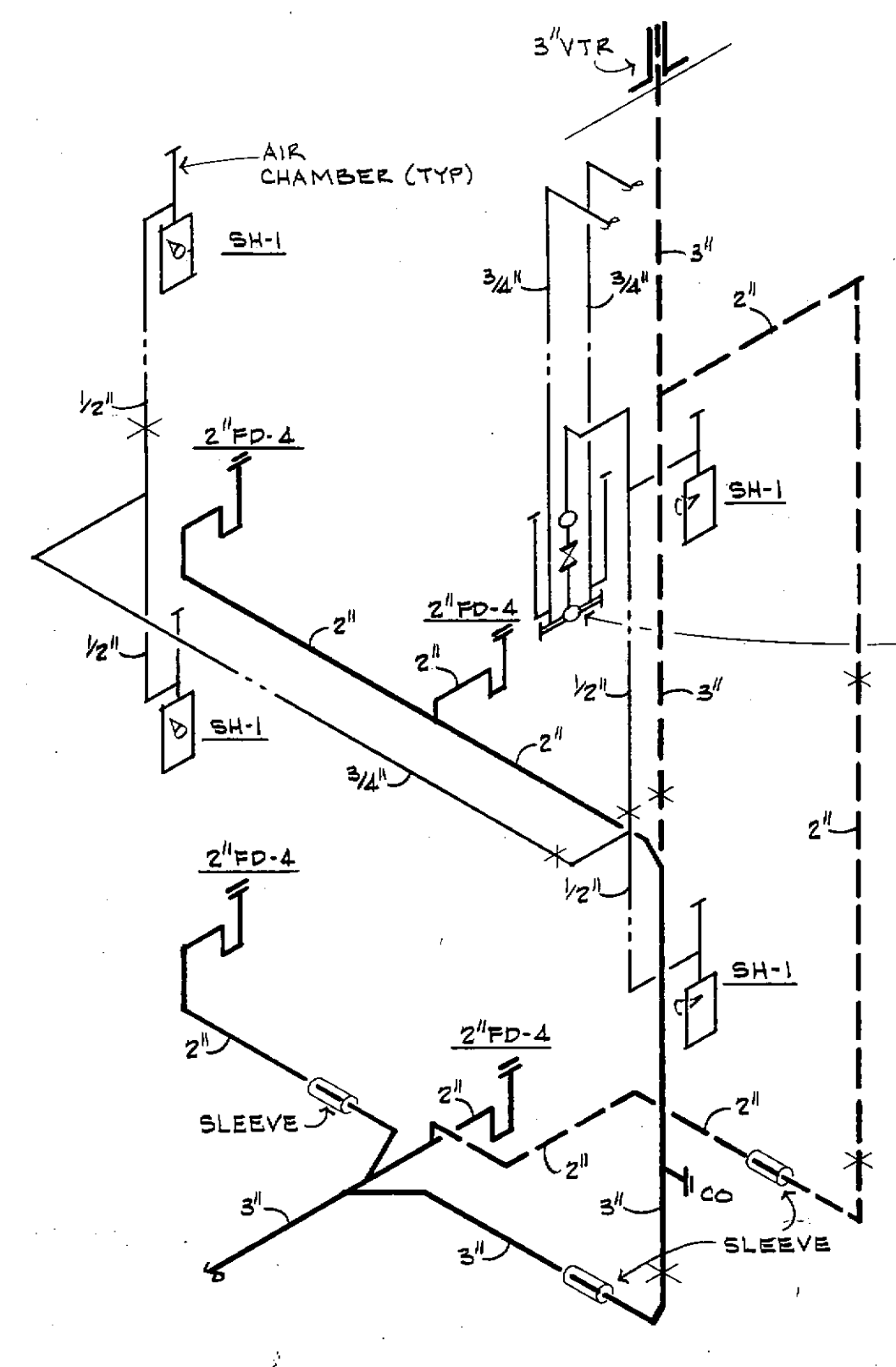
24 RISER



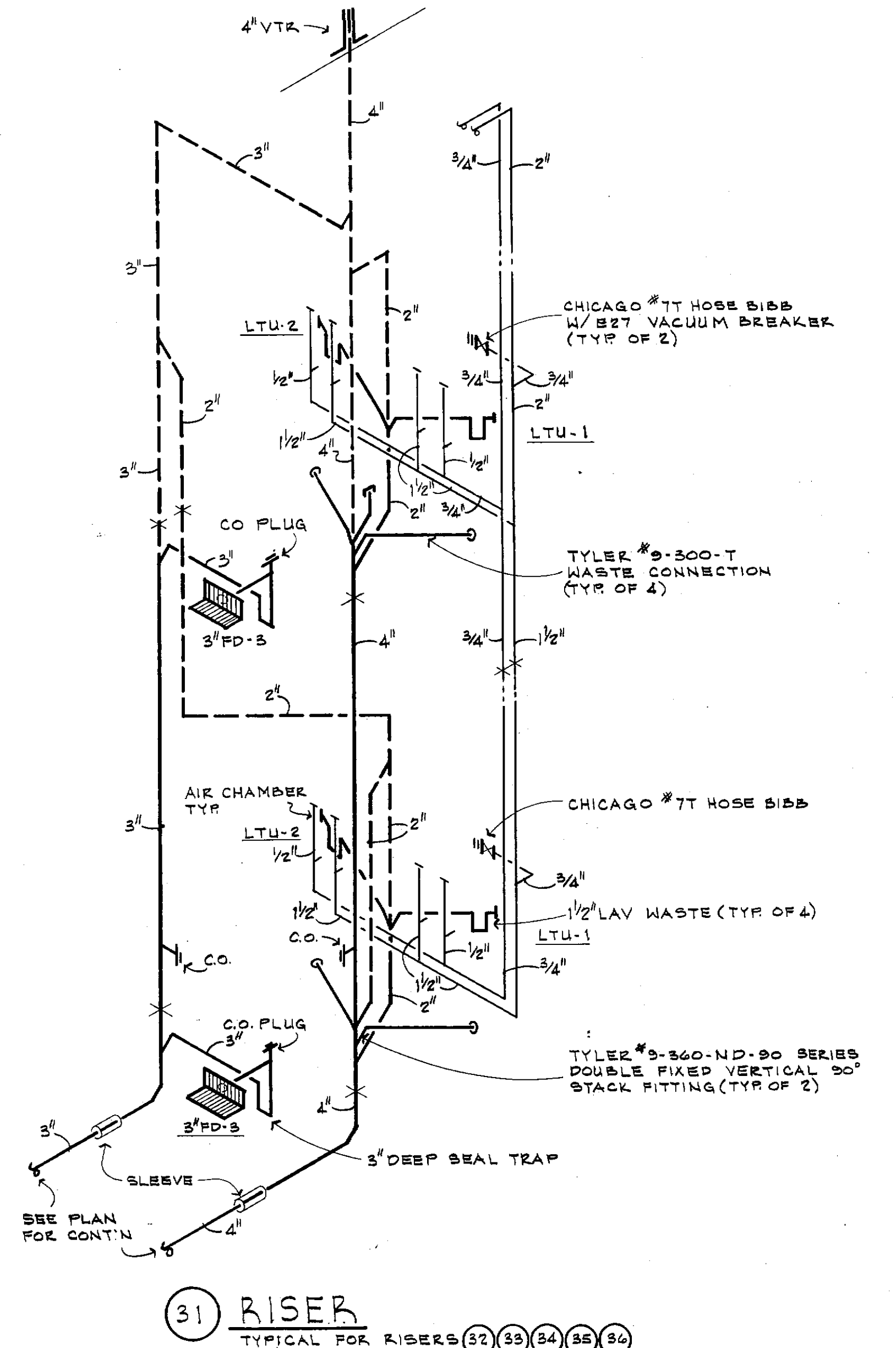
25 RISER



26 RISER

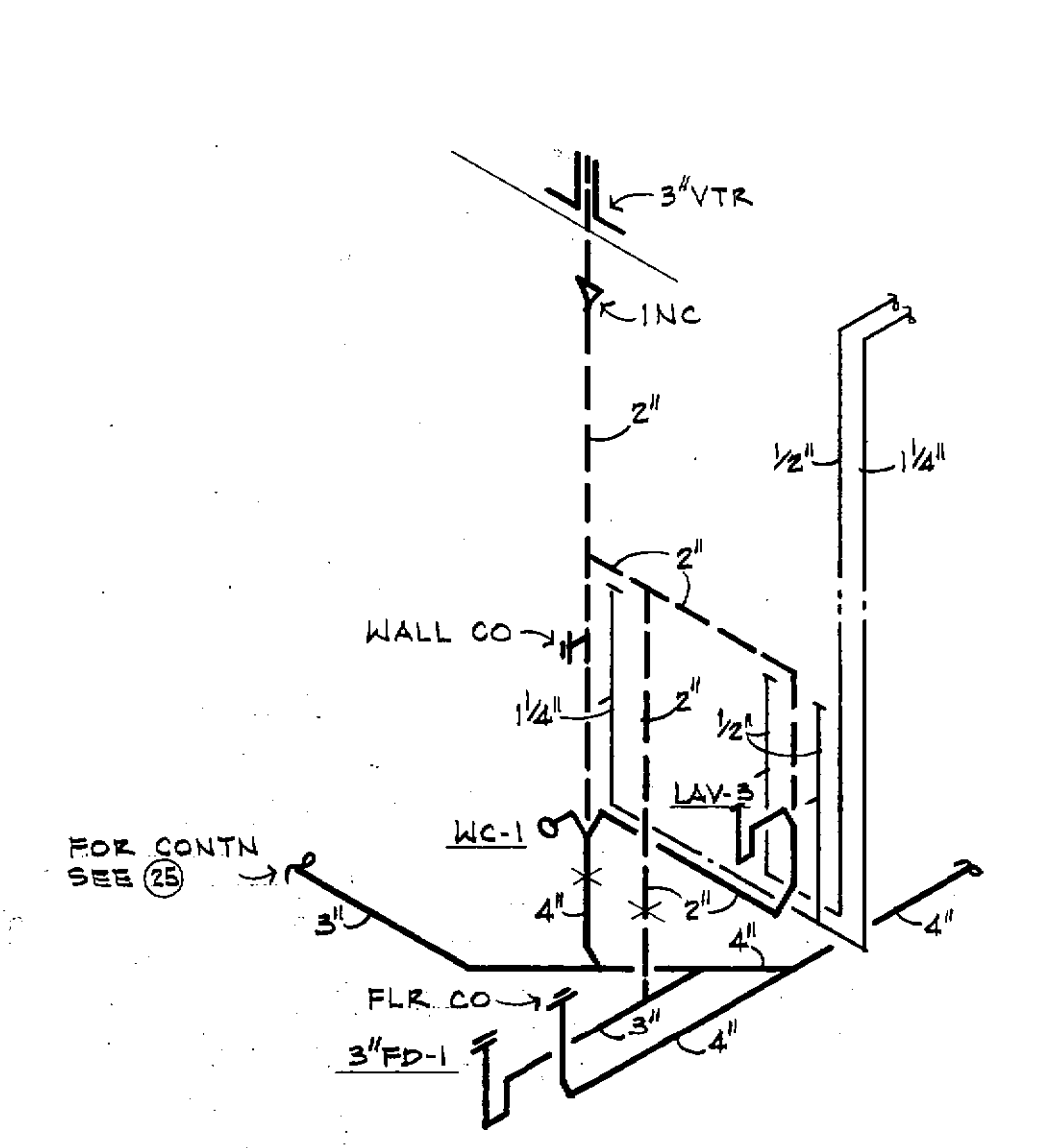


28 RISER

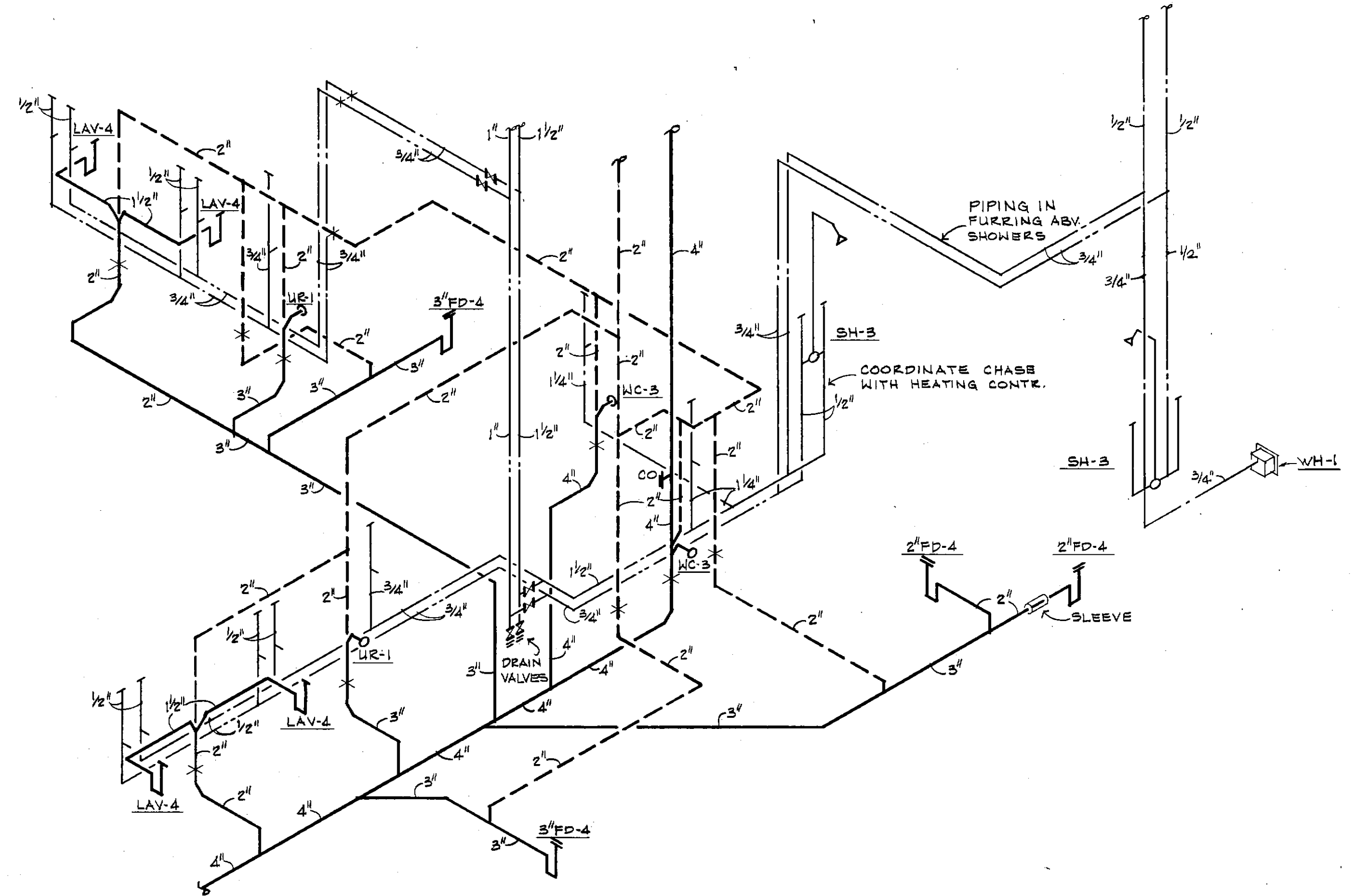


31 RISER

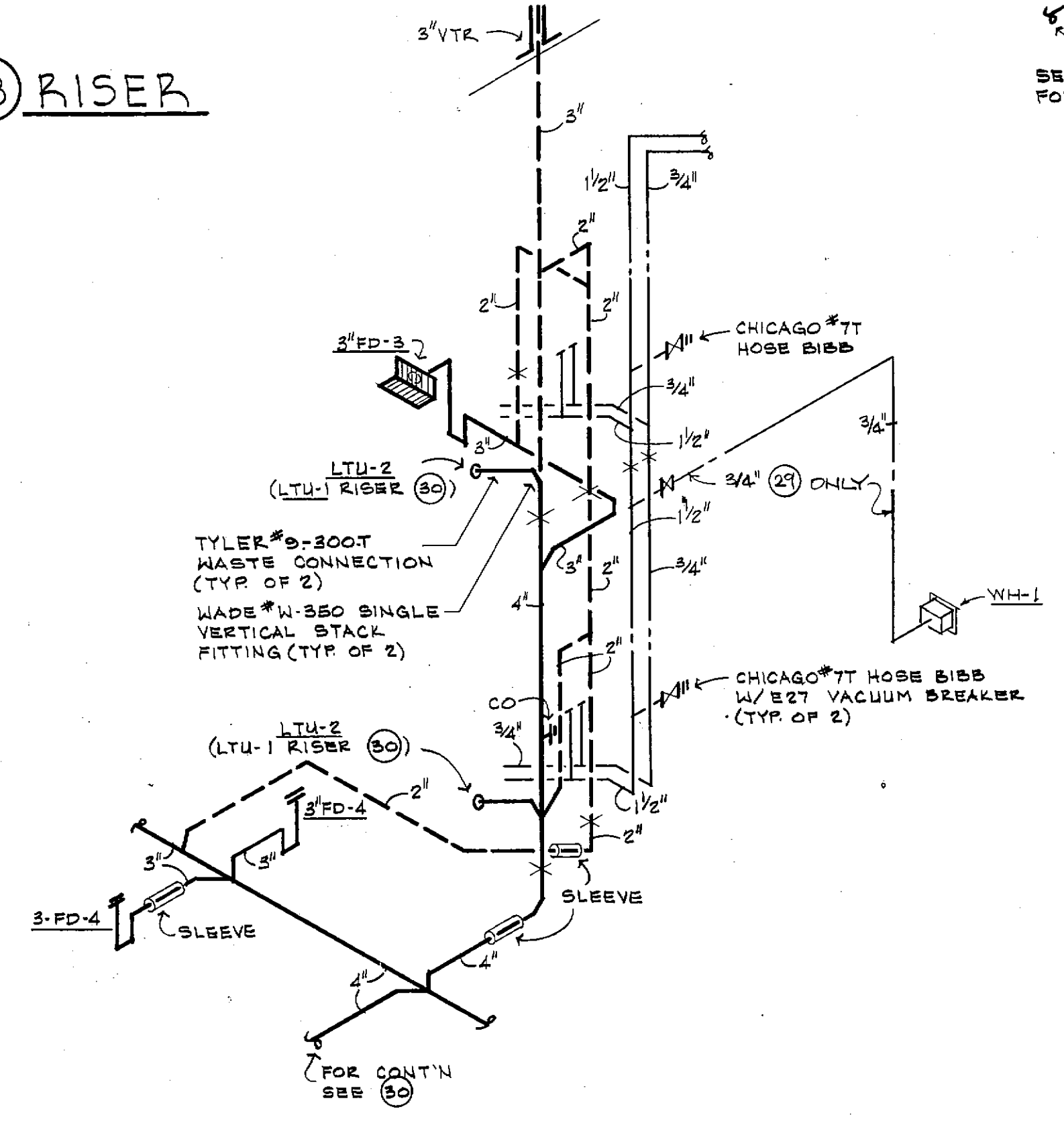
TYPICAL FOR RISERS (27) (28) (29) (30) (31)



26 RISER



27 RISER

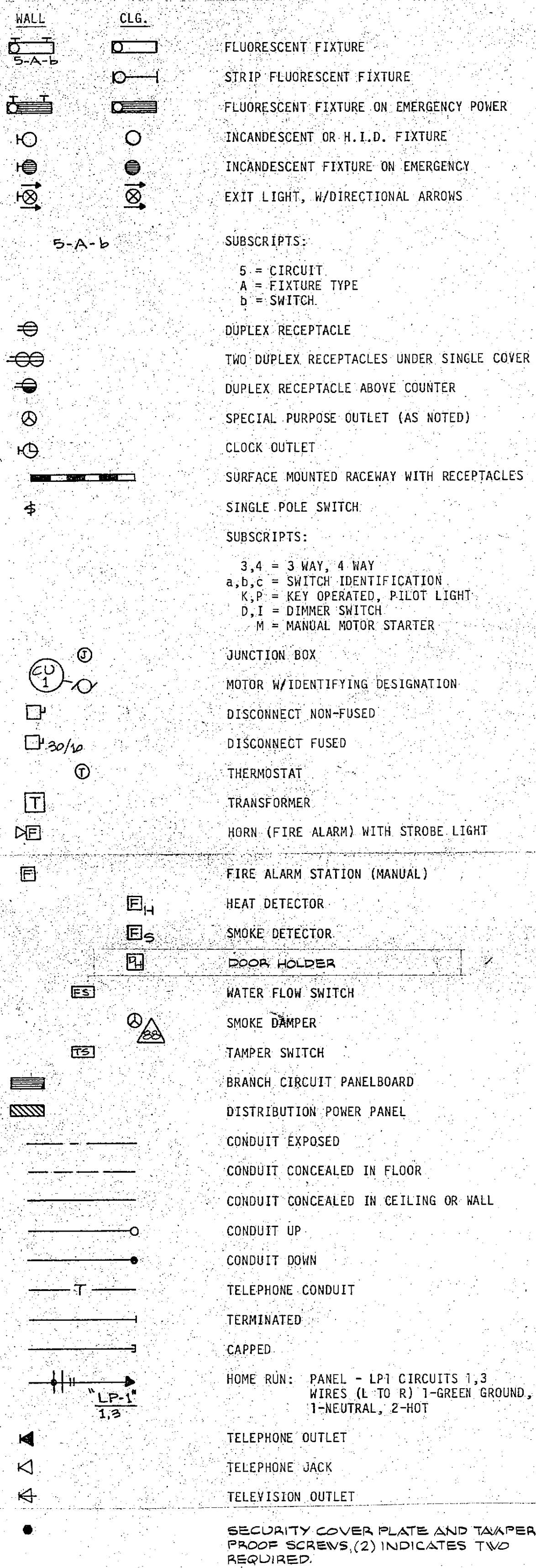


29 RISER

MIRROR IMAGE RISER (EXCEPT AS NOTED)

FRANKLIN COUNTY ADULT JAIL UNION, MISSOURI	
PEARCE CORPORATION One Meramec Center St. Louis, Missouri 63101	
Stebold, Sydow & Effenbaum Inc. Structural Engineers Colton/Lester/Niederhorn Associates, Inc. Mechanical & Electrical Engineers Walker, McGough, Foltz, Lyster, P.S. Security Consultants	
	DRAWN BY 2/25/85
	CHECKED BY C.A.L.
REVISED	
PROJ. NO. 84-07-1.00	
DATE 2/15/85	
DRAWING NO. P-10	

ELECTRICAL SYMBOLS:

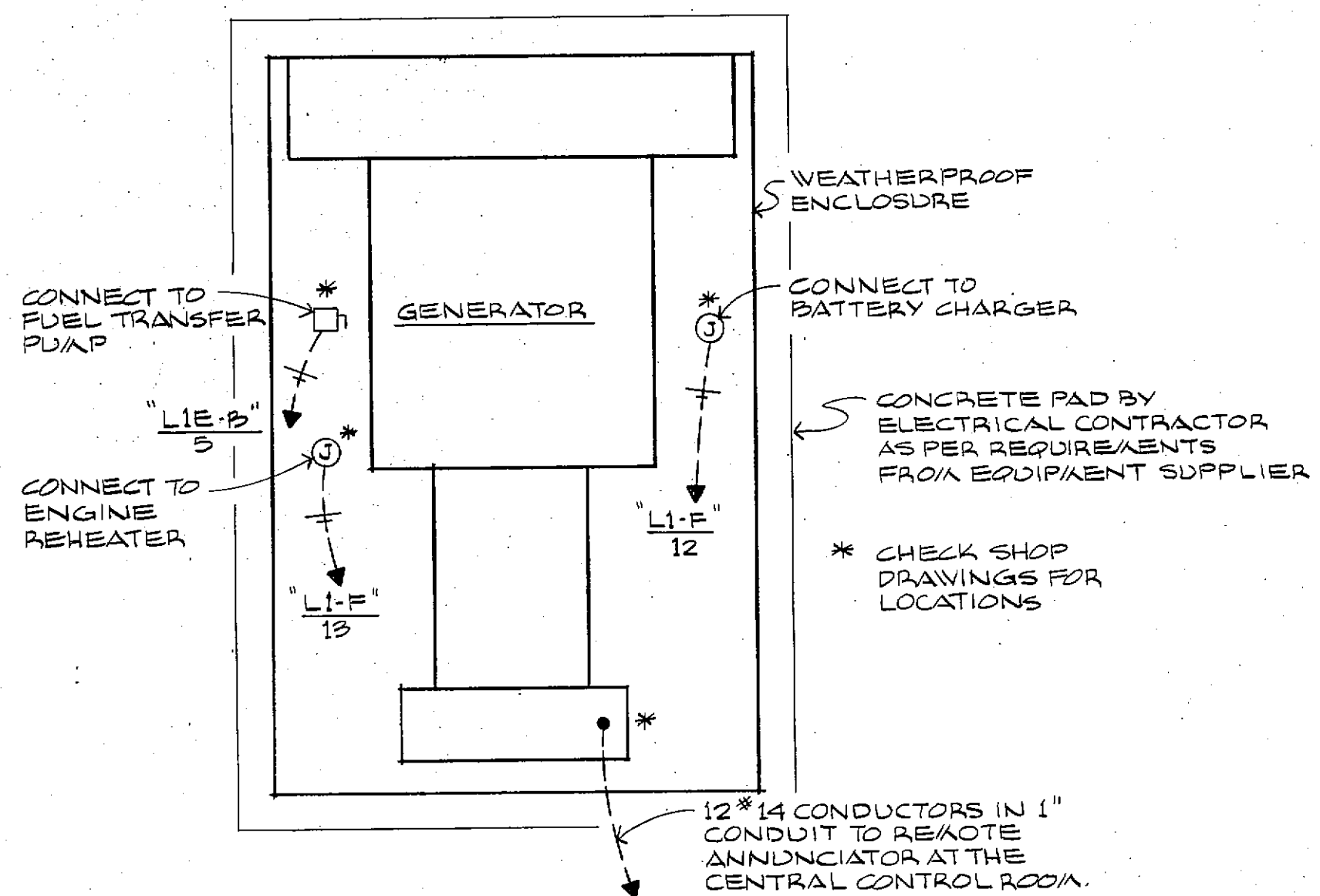


ABBREVIATIONS

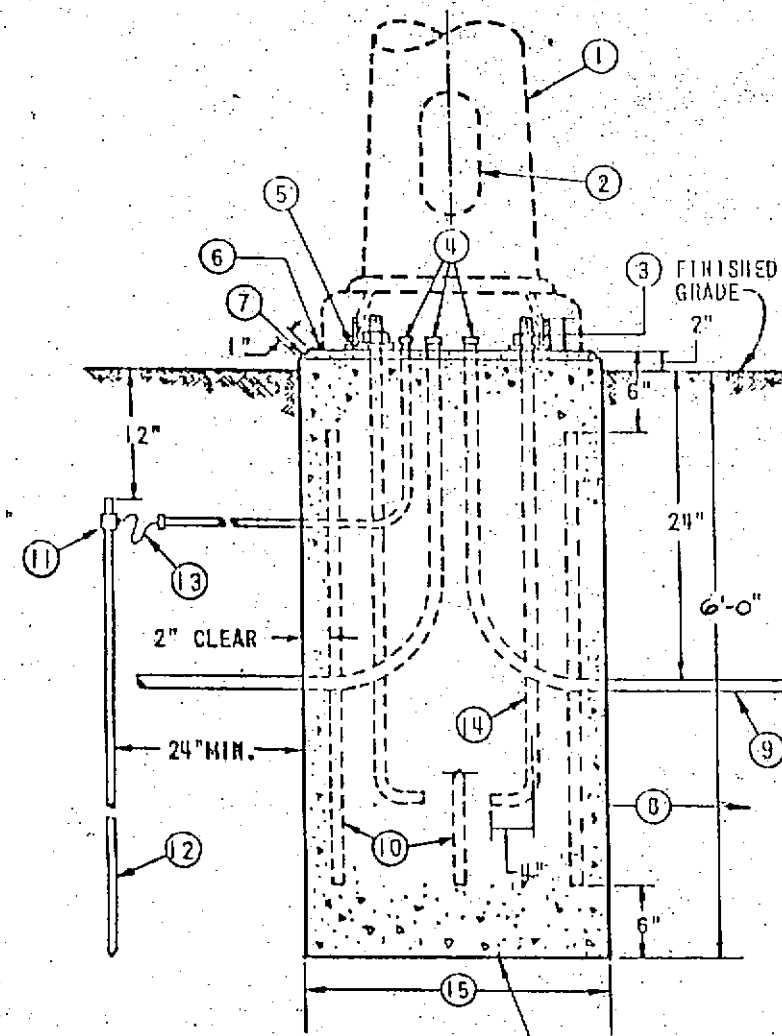
ENC = ELECTRIC WATER COOLER
 7'-0", 4'-6" = INDICATES MOUNTING HEIGHTS OTHER THAN THOSE CALLED FOR IN SPECIFICATIONS
 W.P. = WEATHER PROOF
 G.F.I. = GROUND FAULT INTERRUPTING RECEPTACLE

LIGHT FIXTURE SCHEDULE

TYPE	MANUFACTURER	CATALOG NO.	LAMPS NO. TYPE	FINISH	MOUNTING	REMARKS
A	WILLIAMS	EPG-S222-FWKA-125 (277V)	2-F40W/RS/SS	WHITE	RECESS	SOME FIXTURES SHALL HAVE 9" BALLAST. SEE DRAWINGS
B	WILLIAMS	EPG-S223-FWKA-125 (277V)	3-F40W/RS/SS	WHITE	RECESS	
C	WILLIAMS	EPG-S224-FWKA-125 (277V)	4-F40W/RS/SS	WHITE	RECESS	
CA	WILLIAMS	EPF-S224-FWKA-125 (277V)	4-F40W/RS/SS	WHITE	RECESS	
D	WILLIAMS	EPF-S252-FWKA-125 (277V)	2-F40W/RS/SS	WHITE	RECESS	
DA	WILLIAMS	EPG-S262-FWKA-125 (277V)	2-F40W/RS/SS	WHITE	RECESS	
E	WILLIAMS	2 922KA (277V)	2-F40W/RS/SS	WHITE	WALL SURFACE	MOUNT ABOVE MIRROR
F	STONCO	WPS70HLXL(277V)	WITH FIXTURE	BRONZE	WALL SURFACE	MOUNT TOP OF FIXT. 14"± ABOVE FIRST FLOOR LEVEL
G	GENERAL ELECTRIC	5740-7	1-100A	PORC.	SURFACE	
H	WILLIAMS	7520 (277V)	1-F40W	WHITE	SURFACE	
HA	WILLIAMS	7521 (277V)	2-F40W/RS/SS	WHITE	SURFACE	
HB	WILLIAMS	7520 (277V)	3-F40W 2-F30W	WHITE	SURFACE COVE	18 FOOT LENGTH
HC	WILLIAMS	7520 (277V)	2-F40W 2-F30W	WHITE	SURFACE COVE	14 FOOT LENGTH
HD	WILLIAMS	7520 (277V)	2-F40W 1-F30W	WHITE	SURFACE COVE	11 FOOT LENGTH
HE	WILLIAMS	7520 (277V)	6-F40W 1-F30W	WHITE	SURFACE COVE	27 FOOT LENGTH
HF	WILLIAMS	7510 (277V)	1-F30W	WHITE	SURFACE	
J	SPALDING	CN-1-400-A-12-CLL (277V)	1-AVR400/L	STANDARD	GRADE SURFACE	
K	WILLIAMS	8722-A (277V)	2-F40W/RS/SS	STANDARD	CEILING	
KA	WILLIAMS	8722-LO (277V)	2-F40W/RS/SS	STANDARD	CEILING	
L	MORLITE	R225-SGN	2-25A	WHITE	RECESS AB DOOR	
M	MORLITE	F-548-2DR	1-100A 1-15A	WHITE	RECESS	
N	ALKCO	2226RSW (277V)	2-F20CW/TS	WHITE	WALL SURFACE	MOUNT 1'-3" ABOVE COUNTERTOP
O	COLUMBIA	2-TT8-240 (277V)	4-F40W/RS/SS	WHITE	CEILING	STEM HUNG WITH 3" CONNECTOR
P	MORLITE	FH-150-TG-73T	1-150A	STANDARD	RECESS	
PA	MORLITE	SH-150-TG-73T	1-150A	STANDARD	SURFACE	
Q	COLUMBIA	F4503-NA-41 WHITE (277V)	1-F40W	WHITE	WALL SURFACE	MOUNT IN SKYLIGHT. SEE ARCH DWG FOR LOCATION.
R	KIRLIN	1203	1-150A	STANDARD	RECESS	
S	OMEGA	2-OCT TRACK 9-TUA-191	9-150PAR-38PL	WHITE	SURFACE CEILING	LOCATE SPOTS AS DIRECTED. FOUR SPOTS SHALL HAVE RED FILTERS WITH HOLDING RINGS
T	WILLIAMS	1222-FKA (277V)	2-F40W/RS/SS	WHITE	SURFACE	
U	HUBBELL	QL-505-QL-TB	1-300T3	STANDARD	WALL SURFACE	
V	EMERGILITE	W-X11-R-120	INCLUDED	WHITE	WALL SURFACE	
VA	EMERGILITE	W-X13-R-120	INCLUDED	WHITE	CEILING SURFACE	
W	SPALDING	AM400HPS-3 (277V)	1-LU400	BRONZE	POLE MOUNTED	POLE-30-SQS-BR FACTORY FINISHED
X	SPALDING	AM400HPS-1 (277V)	1-LU400	BRONZE	POLE MOUNTED	POLE-30-SQS-BR FACTORY FINISHED
Y	MARK	CPS MED-C-PL9	1-PL9	STANDARD	WALL SURFACE	1/4" TEMPERED GLASS WITH .090 POLYVINYL BUTYRAL LENS
Z	WILLIAMS	EPF-S122-FWKA-125 (277V)	2-F40W/RS/SS	WHITE	RECESS	
AA	MARK LIGHTING	CP11-MED-S-240-1 (277V)	2-F40W/RS/SS	STANDARD	CEILING	1/4" TEMPERED GLASS WITH .090 POLYVINYL BUTYRAL LENS
BB	MARK LIGHTING	CP11-MED-S-440-1 SPEC. (277V)	4-F40W/RS/SS	STANDARD	SURFACE	1/4" PRISMATIC ACRYLIC LENS
DD	MARK LIGHTING	CP11-MED-S-240-1 SPEC. (277V)	2-F40W/RS/SS	STANDARD	SURFACE	1/4" TEMPERED GLASS WITH .125" PRISMATIC ACRYLIC OVERLAY
EE	MARK LIGHTING	CP11-MAX-X-1-UH0-1-ML (277V)	1-FB40-WM/6/3 SS-NL LAMP WITH UNIT	STANDARD	WALL SURFACE	1/4" TEMPERED GLASS WITH .090 POLYVINYL BUTYRAL LENS
FF	MARK LIGHTING	CP11-MAX-C-240-1 (277V)	2-F40W/RS/SS	STANDARD	WALL SURFACE	1/4" TEMPERED GLASS WITH .090 POLYVINYL BUTYRAL LENS
GG	MARK LIGHTING	CP11-MED-80-440 SPEC. 277V	4-F40/RS/SS	STANDARD	RECESS	1/4" PRISMATIC ACRYLIC LENS
HH	MARK LIGHTING	CP-1-MED-C-1-UH0-1-ML (277V)	1-FB40-WM/6/3 2-SS-NL LAMP WITH UNIT	STANDARD	WALL SURFACE	1/4" TEMPERED GLASS WITH .090 POLYVINYL BUTYRAL LENS
II	MARK LIGHTING	CP11-MED-C-240-1 (277V)	2-F40W/RS/SS	STANDARD	WALL SURFACE	1/4" TEMPERED GLASS WITH .090 POLYVINYL BUTYRAL LENS
JJ	MCPHILBEN	22C1114-JB	2 - 75 A19	ALUMINUM	SURFACE	
KK	PRESOLITE	90RM-3	1-100A	WHITE	RECESS	WITH DAMP LOCATION LABEL
LL	SPALDING	BNI-175-M	175W-METAL HALIDE	BRONZE	SURFACE	PROVIDE CONCRETE BASE ANCHOR YOKE BRACKET TO BASE.
MM	ALKCO	3147 (277V)	1-F40W	WHITE	SURFACE BELOW CABINET	
						* SURFACE MOUNT TO WALL AS CLOSE TO CEILING AS POSSIBLE.
						** SOME FIXTURES SHALL BE FURNISHED WITH NITE LIGHTS (WITH LAMPS). SEE DRAWINGS FOR QUANTITY AND LOCATION.
						NOTE: SIMILAR FIXTURES MANUFACTURED BY COLUMBIA, MORLITE, KIRLIN OR FAI-SAFE SHALL BE EQUAL.



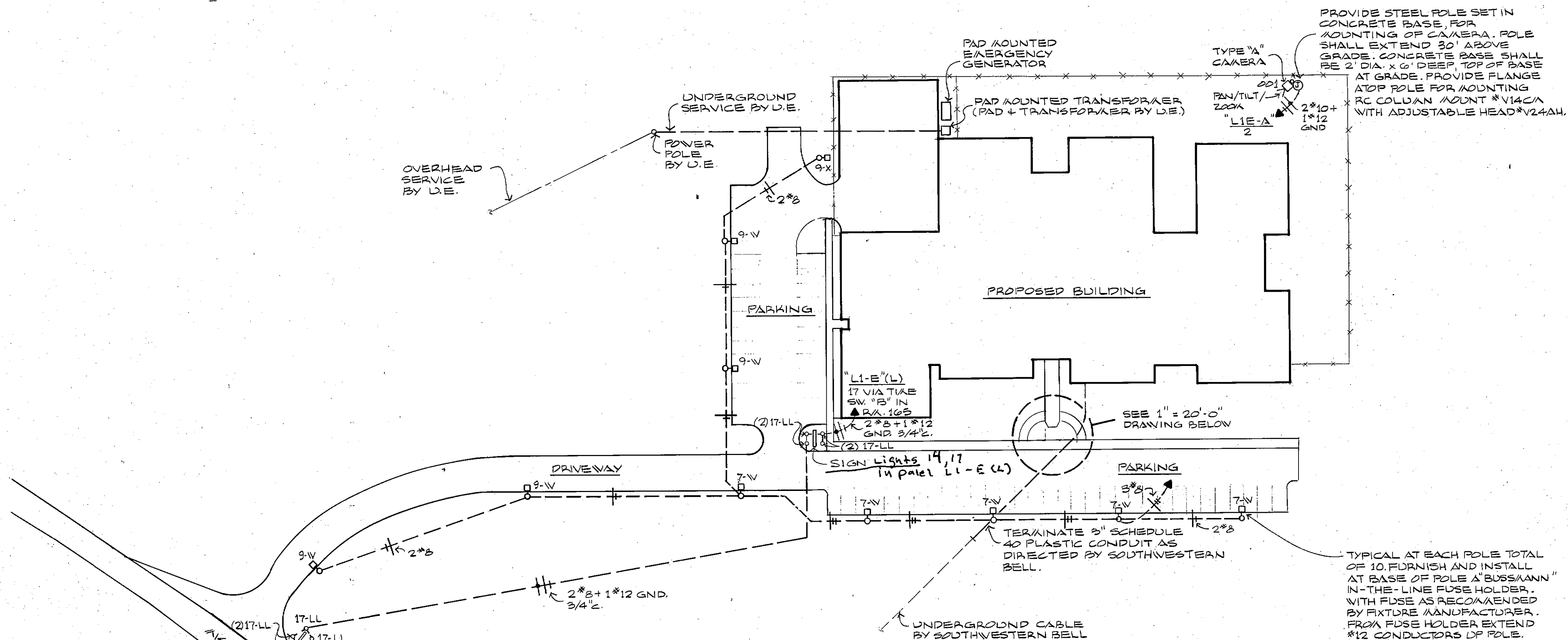
PAD MOUNTED GENERATOR
NO SCALE



POLE BASE DETAIL
NO SCALE

NOTES:

1. LIGHTING STANDARD.
2. WIRING ACCESS. PROVIDE INTERIOR GROUNDING LUG ACCESSIBLE FROM OUTSIDE.
3. AS REQUIRED BY LIGHTING STANDARD FURNISHED.
4. INSULATED GROUNDING RISINGS (CONNECT TO GROUNDING CONDUCTOR AND GROUND LUG IN LIGHTING STANDARD).
5. PROVIDE STANDARD SHIMS UNDER ANCHOR BOLT LUGS FOR LEVELING AS REQUIRED.
6. FILL ALL GAPS BETWEEN METAL BASE AND CONCRETE BASE WITH CEMENT GROUT.
7. CHAMFER EDGES ON BASE.
8. 24" MINIMUM FROM EDGE OF ROADWAY OR CURB.
9. CONDUIT.
10. NO. 4 STEEL REINFORCING RODS.
11. CONNECTOR.
12. 3/4" X 8'-0" COPPER CLAD GROUND ROD.
13. NO. 8 BARE STRANDED COPPER GROUND WIRE. CONNECT TO ROD, BUSHINGS, STANDARD GROUND LUG AND GROUND CONDUCTOR. LEAVE 6" SLACK HANGING.
14. FOUR (4) 1" X 36" HOT DIPPED GALVANIZED STEEL ANCHOR BOLTS FURNISHED WITH LIGHTING STANDARD. POINT ON BOLT CIRCLE REQUIRED BY STANDARD FURNISHED.
15. 24" DIAMETER CONCRETE BASE.
16. BASE TO REST ON UNDISTURBED EARTH, BUT NOT LESS THAN 48" INTO GROUND. CONCRETE SHALL BE 3000 PSI STRENGTH. 2" MINIMUM IN 28 DAYS.



SITE PLAN
SCALE: 1" = 50'-0"

PARTIAL SITE PLAN
SCALE: 1" = 20'-0"

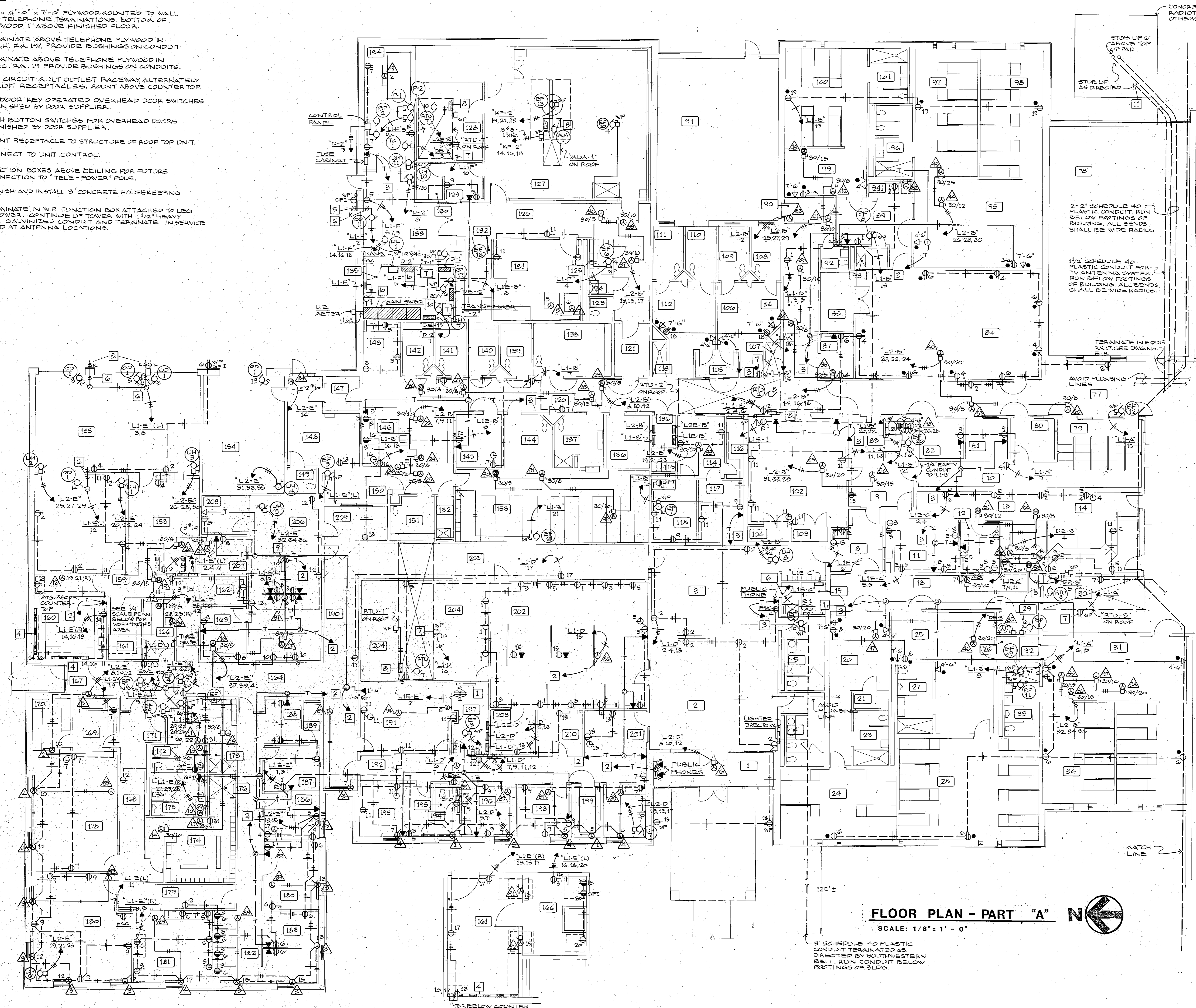
FRANKLIN COUNTY ADULT JAIL
UNION, MISSOURI

PEARCE CORPORATION
One Mercantile Center
Sikeston, Missouri 63101

Siebold, Sydow & Effenbaum Inc.
Structural Engineers
Colton/Lester/Niederhorn Associates, Inc.
Mechanical & Electrical Engineers
Walker McGough, Foltz Lyster, P.S.
Security Consultants

DRAWN BY: [Signature]
CHECKED BY: [Signature]
REVISOR: [Signature]
PROJ. NO. E-6401
DATE: 04-07-10
DRAWING NO. E-1

- NOTES:**
- 1 3/4" x 4'-0" x 1'-0" PLYWOOD MOUNTED TO WALL FOR TELEPHONE TERMINATIONS. BOTTOM OF PLYWOOD 1" ABOVE FINISHED FLOOR.
 - 2 TERMINATE ABOVE TELEPHONE PLYWOOD IN MECH. R.A. 197, PROVIDE BUSHINGS ON CONDUIT.
 - 3 TERMINATE ABOVE TELEPHONE PLYWOOD IN ELEC. R.A. 19 PROVIDE BUSHINGS ON CONDUITS.
 - 4 TWO CIRCUIT MULTI-OUTLET RACEWAY, ALTERNATELY CIRCUIT RECEPTACLES. MOUNT ABOVE COUNTER TOP.
 - 5 OUTDOOR KEY OPERATED OVERHEAD DOOR SWITCHES FURNISHED BY DOOR SUPPLIER.
 - 6 PUSH BUTTON SWITCHES FOR OVERHEAD DOORS FURNISHED BY DOOR SUPPLIER.
 - 7 MOUNT RECEPTACLE TO STRUCTURE OF ROOF TOP UNIT.
 - 8 CONNECT TO UNIT CONTROL.
 - 9 JUNCTION BOXES ABOVE CEILING FOR FUTURE CONNECTION TO "TELE-POWER" POLE.
 - 10 FURNISH AND INSTALL 3" CONCRETE HOUSEKEEPING PAD.
 - 11 TERMINATE IN W.P. JUNCTION BOX ATTACHED TO LEG OF TOWER. CONTINUE UP TOWER WITH 1/2" HEAVY WALL GALVANIZED CONDUIT AND TERMINATE IN SERVICE HEAD AT ANTENNA LOCATIONS.



ROOM NO.	ROOM NAME	ROOM NO.	ROOM NAME
1	VESTIBULE	136	MATTRESS STORAGE
2	LOBBY	137	SHOWER
3	WAITING	138	MALE CONG. HOLDING
4	WOMEN	139	HOLDING
5	MEN	140	HOLDING
6	JANITOR	141	HOLDING
7	PASSAGE	142	MEDICAL EXAM
8	VESTIBULE	143	TOILET
9	SALLPORT	144	FEM. CONG. HOLDING
10	PASSAGE	145	SHOWER
11	OPEN OFFICE AREA	146	PROCESSING
12	E.O.C. OFFICE	147	SALLPORT
13	E.O.C. COMMUNICATIONS	148	LOW LOBBY
14	POLICE COMMUNICATIONS	149	TOILET
15	SALLPORT	150	LINE UP
16	PASSAGE	151	SETOR
17	JANITOR	152	JANITOR
18	ELECTRICAL	153	CLOTHING/PROP. RM.
19	DAY ROOM	154	PASSAGE
20	STORAGE	155	VEHICLE STORAGE
21	PASSAGE	156	VEHICLE PROCESSING
22	TOILET	157	VEHICLE
23	TOILET	158	LARGE EVIDENCE
24	FEM. W.R. DOOR	159	PASSAGE
25	STORAGE	160	CRIME LAB
26	TOILET	161	PHOTO LAB LIGHT SIDE
27	TOILET	162	SMALL EVIDENCE
28	FEM. W.R. DOOR	163	VEHICLE CALLPOST
29	MECH.	164	VEHICLE STORAGE
30	CORRIDOR	165	VEHICLE
31	DAY ROOM	166	PHOTO LAB BARK SIDE
32	STORAGE	167	VESTIBULE
33	TOILET	168	ARREST
34	MALE TRUSTEE DOOR	169	ARREST
35	MAX. MALE DAY ROOM	170	WEAPONS STORAGE
36	TOILET	171	WOMEN'S LOCKER
37	OUTDOOR REC. AREA	172	WOMEN'S TOILET
38	MULTIPURPOSE RM.	173	SHOWERS
39	STORAGE	174	WOMEN'S LOCKER
40	ALCOVE	175	MEN'S TOILET
41	CHAPLAIN'S OFFICE	176	DAY
42	PASSAGE	177	SHOWER
43	VESTIBULE	178	ROLL CALL
44	TOILET	179	REPORT WRITE UP
45	TOILET	180	PASSAGE
46	TOILET	181	SUPERVISOR
47	TOILET	182	SUPERVISOR
48	TOILET	183	CAPTAIN
49	TOILET	184	TRAFFIC
50	TOILET	185	SEC. TRF/REC.
51	TOILET	186	STORAGE
52	TOILET	187	CORRIDOR
53	TOILET	188	CORRIDOR
54	TOILET	189	CORRIDOR
55	TOILET	190	CORRIDOR
56	TOILET	191	CONFERENCE
57	TOILET	192	PASSAGE
58	TOILET	193	PASSAGE
59	TOILET	194	VESTIBULE
60	TOILET	195	TOILET
61	TOILET	196	DEPUTY
62	TOILET	197	MECH.
63	TOILET	198	C. R. OFFICE
64	TOILET	199	MAIL
65	TOILET	200	FILES/WORKROOM
66	TOILET	201	SEC. TRF/REC.
67	TOILET	202	OFFICE
68	TOILET	203	CIVIL FILES
69	TOILET	204	CENTRAL FILES
70	TOILET	205	CORRIDOR
71	TOILET	206	DETECTIVES
72	TOILET	207	INTERVIEW
73	TOILET	208	INTERVIEW
74	TOILET	209	OBSERVATION
75	TOILET	210	FILES

FLOOR PLAN - PART "A"
SCALE: 1/8" = 1' - 0"

PHOTO LAB
SCALE: 1/4" = 1' - 0"

FRANKLIN COUNTY ADULT JAIL
UNION, MISSOURI

PEARCE CORPORATION
One Mercantile Center
Saint Louis, Missouri 63101

Stebold, Sydow & Elfanbaum Inc.
Structural Engineers
Cotton/Lester/Niederborn Associates, Inc.
Mechanical & Electrical Engineers
Walker McGough Foltz Lyster, P.S.
Security Consultants

STATE OF MISSOURI
REGISTERED PROFESSIONAL ENGINEER
FRANK R. NIEDERBORN
NUMBER: E-5401

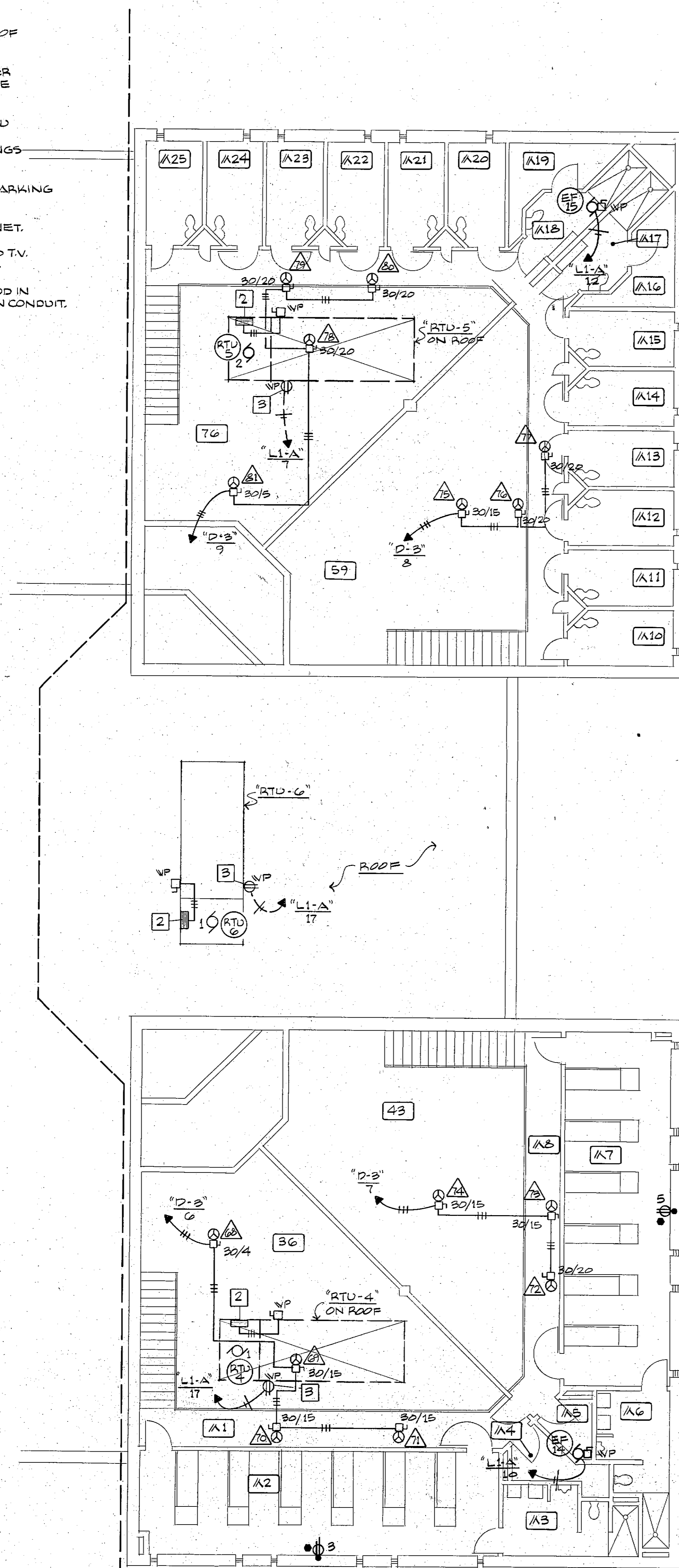
DRAWN BY D.B.
CHECKED BY P.N.
REVISOR

PROJ. NO. 64-07.1.00
DATE 3-15-85

E-2
DRAWING NO.

NOTES:

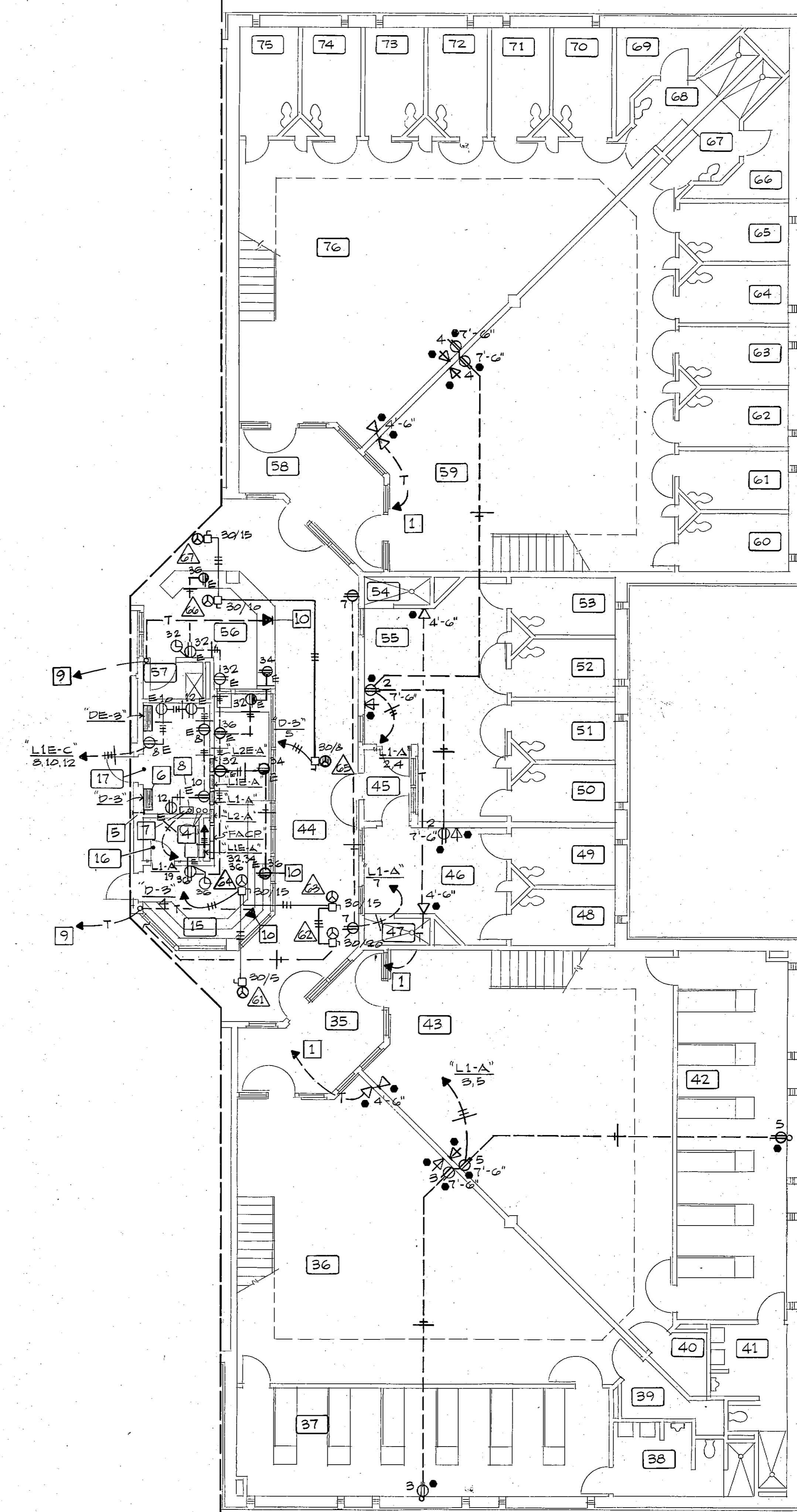
- 1 TERMINATE 2" ABOVE FLOOR AT AND IN FRONT OF PLYWOOD IN ELECTRICAL R.A.#19.
- 2 CONNECT TO UNIT CONTROL.
- 3 MOUNT RECEPTACLE TO STRUCTURE OF ROOFTOP UNIT.
- 4 2-2" PVC CONDUIT FROM THE RADIO TOWER LOCATION, STUB UP AS DIRECTED 2" ABOVE FINISHED FLOOR.
- 5 2-2" HEAVYWALL CONDUITS STUBBED THRU WALL, FROM EOPT. R.A.#17 TO BELOW THE RAISED FLOOR IN R.A.#14. PROVIDE BUSHINGS ON BOTH ENDS OF CONDUITS.
- 6 LOCATE TIME SWITCH (CONTROLLING PARKING LIGHTS) ABOVE "D-3".
- 7 TV. ANTENNA SYSTEM/EQUIPMENT CABINET.
- 8 STUB UP AND CONNECT 1 1/2" CONDUIT TO TV. ANTENNA SYSTEM/EQUIPMENT CABINET.
- 9 TERMINATE ABOVE TELEPHONE PLYWOOD IN ELECTRICAL R.A. 197, PROVIDE BUSHING ON CONDUIT.
- 10 LOCATE ON FRONT OF CONSOLE.



MEZZANINE FLOOR PLAN
SCALE: 1/8" = 1'-0"



ROOM NO.	ROOM NAME
M1	BALCONY
M2	MED. MALE DORM
M3	TOILET
M4	STORAGE
M5	STORAGE
M6	TOILET
M7	MED. MALE DORM
M8	BALCONY
M9	BALCONY
M10	CELL
M11	CELL
M12	CELL
M13	CELL
M14	CELL
M15	CELL
M16	STORAGE
M17	TOILET
M18	TOILET
M19	STORAGE
M20	CELL
M21	CELL
M22	CELL
M23	CELL
M24	CELL
M25	CELL
M26	BALCONY



FLOOR PLAN - PART "B"
SCALE: 1/8" = 1'-0"



ROOM NO.	ROOM NAME
15	CENTRAL CONTROL
16	TOILET
17	EQUIPMENT
35	VESTIBULE
36	MED. MALE DAY ROOM
37	MED. MALE DORM
38	TOILET
39	STORAGE
40	STORAGE
41	TOILET
42	MED. MALE DORM
43	MED. MALE DAY ROOM
44	COURTYARD
45	VESTIBULE
46	ISOLATION DAY ROOM
47	SHOWER
48	CELL
49	CELL
50	CELL
51	CELL
52	CELL
53	CELL
54	SHOWER
55	SPEC. MALE DAY ROOM
56	FLOOR CONTROL
57	JANITOR
58	VESTIBULE
59	MED. MALE DAY ROOM
60	CELL
61	CELL
62	CELL
63	CELL
64	CELL
65	CELL
66	STORAGE
67	TOILET
68	TOILET
69	STORAGE
70	CELL
71	CELL
72	CELL
73	CELL
74	CELL
75	CELL

FRANKLIN COUNTY ADULT JAIL
UNION, MISSOURI

PEARCE CORPORATION

One Mercantile Center
Suite 1000, Missouri 63101

Siebold, Sydow & Eitanbaum Inc.
Structural Engineers

Cotton/Lester/Niederhorn Associates, Inc.
Mechanical & Electrical Engineers

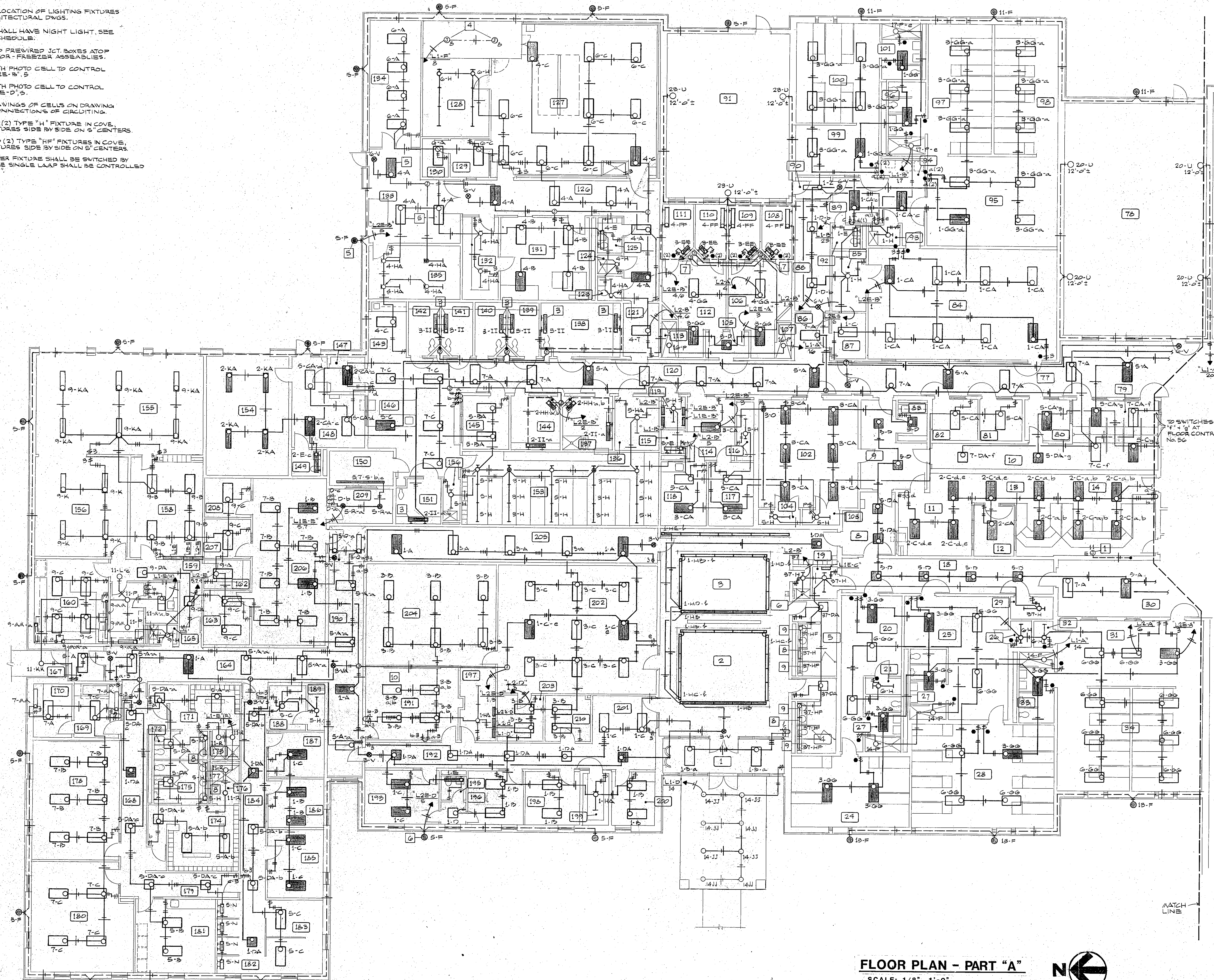
Walker McGough Foltz Lyster, P.S.
Security Consultants

	DRAWN BY D.B.	E-3
	CHECKED BY F.N.	
	PROJ. NO. 84-07-1-00	
	DATE 3-15-85	
DRAWING NO.		

NOTES:

- 1 CONNECT TO WALL MOUNTED BACKLIGHTED AAP. LAAPS WITH AAP.
- 2 FOR EXACT LOCATION OF LIGHTING FIXTURES CHECK ARCHITECTURAL DWGS.
- 3 FIXTURES SHALL HAVE NIGHT LIGHT, SEE FIXTURE SCHEDULE.
- 4 CONNECT TO PREWIRED JCT. BOXES ATOP REFRIGERATOR - FREEZER ASSEMBLIES.
- 5 PROVIDE WITH PHOTO CELL TO CONTROL CIRCUIT "L2E-B", 5
- 6 PROVIDE WITH PHOTO CELL TO CONTROL CIRCUIT "L2E-D", 5
- 7 SEE 1/4" DRAWINGS OF CELLS ON DRAWING E-5 FOR CONNECTIONS OF CIRCUITING.
- 8 INSTALL TWO (2) TYPE "H" FIXTURE IN COVE, LOCATE FIXTURES SIDE BY SIDE ON 5" CENTERS.
- 9 INSTALL TWO (2) TYPE "HF" FIXTURES IN COVE, LOCATE FIXTURES SIDE BY SIDE ON 5" CENTERS.
- 10 TWO LAAPS PER FIXTURE SHALL BE SWITCHED BY SWITCH "A". THE SINGLE LAAP SHALL BE CONTROLLED BY SWITCH "B".

ROOM NO.	ROOM NAME	ROOM NO.	ROOM NAME
1	VESTIBULE	136	MATRESS STORAGE
2	LOBBY	137	DRESSING
3	WAITING	138	MALE CONC. HOLDING
4	WOMEN	139	HOLDING
5	ME	140	HOLDING
6	JANITOR	141	HOLDING
7	PASSAGE	142	MEDICAL EXAM
8	VESTIBULE	143	FEM. CONC. HOLDING
9	PASSAGE	144	JAILER
10	PASSAGE	145	PROCESSING
11	OPEN OFFICE AREA	146	SALVPORT
12	E.O.C. OFFICE	147	LOW LOBBY
13	E.O.C. COMMUNICATIONS	148	TOLLET
14	POLICE COMMUNICATIONS	149	LINE UP
15	SALLYPORT	150	PASSAGE
16	ELECTRICAL	151	DETOK.
17	DAY ROOM	152	JANITOR
18	STORAGE	153	CLOTHING/PROP. RL.
19	TOLLET	154	VEHICLE SALLYPORT
20	TOLLET	155	VEHICLE STORAGE
21	TOLLET	156	VEHICLE PROCESSING
22	TOLLET	157	VEHICLE EVIDENCE
23	TOLLET	158	PASSAGE
24	FEM. W.R. DORM	159	LARGE EVIDENCE
25	DAY ROOM	160	CRIME LAB
26	STORAGE	161	PHOTO LAB LIGHT SIDE
27	TOLLET	162	SMALL EVIDENCE
28	MALE W.R. DORM	163	SUPERVISOR
29	MECH.	164	CORRIDOR
30	CORRIDOR	165	JANITOR
31	DAY ROOM	166	PHOTO LAB DARK SIDE
32	TOLLET	167	VESTIBULE
33	TOLLET	168	PASSAGE
34	MALE TRUSTEE DORM	169	PASSAGE
35	MALE TRUSTEE DORM	170	WEAPONS STORAGE
36	CORRIDOR	171	OUTDOOR REC. AREA
37	CORRIDOR	172	OUTDOOR REC. AREA
38	OUTDOOR REC. AREA	173	VISITING
39	OUTDOOR REC. AREA	174	WOMEN'S LOCKER
40	VISITING	175	WOMEN'S TOLLET
41	INTERVIEW	176	SHOWERS
42	LABORATORY	177	MEN'S LOCKER
43	KITCHEN	178	MEN'S TOLLET
44	MULTIPURPOSE RM.	179	DRY
45	STORAGE	180	SHOWER
46	ALCOVE	181	SHOWER
47	PASSAGE	182	PRIL CALL
48	CHAPLAIN'S OFFICE	183	PASSAGE
49	PASSAGE	184	PASSAGE
50	VESTIBULE	185	SUPERVISOR
51	OUTDOOR REC. AREA	186	SECURITY
52	TOLLET	187	CAPTAIN
53	JANITOR	188	SEC. Y./RECP.
54	LAUNDRY	189	STORAGE
55	DAY ROOM	190	CORRIDOR
56	TOLLET	191	CONFERENCE
57	MED. FEM. DORM 1	192	PASSAGE
58	MED. FEM. DORM 2	193	PASSAGE
59	DAY ROOM	194	VESTIBULE
60	FEM. TRUSTEE DORM	195	TOLLET
61	TOLLET	196	DEPUTY
62	LIBRARY	197	MECH.
63	STORAGE	198	VAULT
64	VESTIBULE	199	C. N. OFFICE
65	DAY ROOM	200	FILES/WORKROOM
66	SHOWER	201	SEC. Y./RECP.
67	SEGREGATION CELL	202	OFFICE
68	SEGREGATION CELL	203	CIVIL FILES
69	MAXIMUM CELL	204	CENTRAL FILES
70	MAXIMUM CELL	205	CORRIDOR
71	DAY ROOM	206	DETECTIVES
72	SHOWER	207	INTERVIEW
73	WAITING	208	INTERVIEW
74	TOLLET	209	OBSERVATION
75	STORAGE	210	FILES
76	NURSE		
77	EXAM		
78	NURSE		
79	CORRIDOR		
80	CORRIDOR		
81	SALLYPORT		
82	CORRIDOR		
83	INVITE TOLLET		
84	JANITOR		
85	STAFF TOLLET		
86	SERVICE CORRIDOR		
87	KITCHEN		
88	DRY STORAGE		
89	OFFICE		
90	SCENE STORAGE		
91	LAUNDRY		
92	CLEAN LINEN		
93	RECEPTION		
94	MAINTENANCE		
95	ELECTRICAL		



FLOOR PLAN - PART "A"
SCALE: 1/8" = 1'-0"



FRANKLIN COUNTY ADULT JAIL
UNION, MISSOURI

PEARCE CORPORATION
One Mercantile Center
Saint Louis, Missouri 63101

Siebold, Sydow & Effenbaum Inc.
Structural Engineers
Colton/Lester/Niederhorn Associates, Inc.
Mechanical & Electrical Engineers
Walker, McLaughlin, Foltz, Lyerta, P.S.
Security Consultants

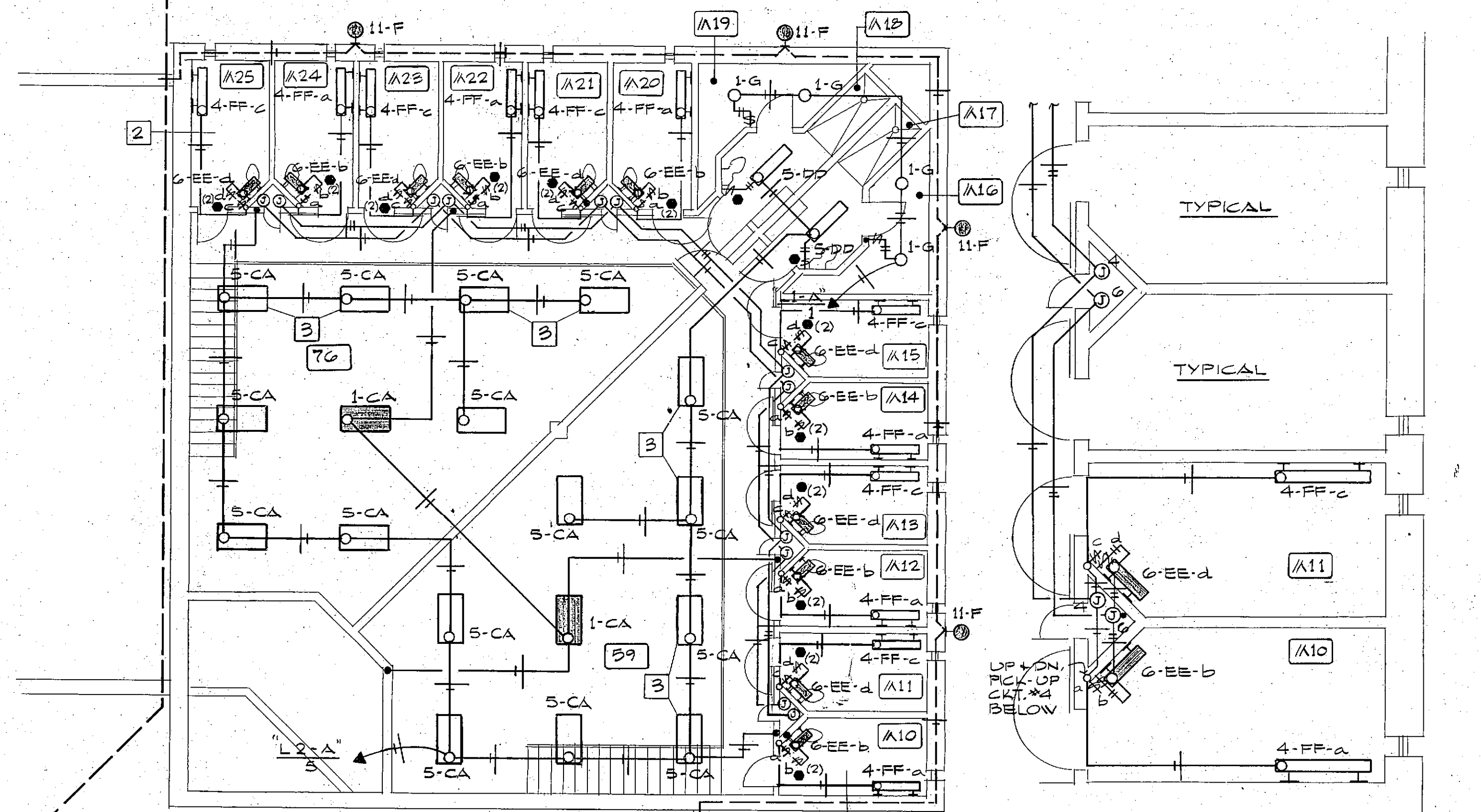
STATE OF MISSOURI
REGISTERED PROFESSIONAL ENGINEER
FRANK R. NIEDERHORN
NUMBER E-6401

DRAWN BY [Signature]
CHECKED BY F.N.
REVISED
PROJ. NO. 84-07-1-00
DATE 3-15-85

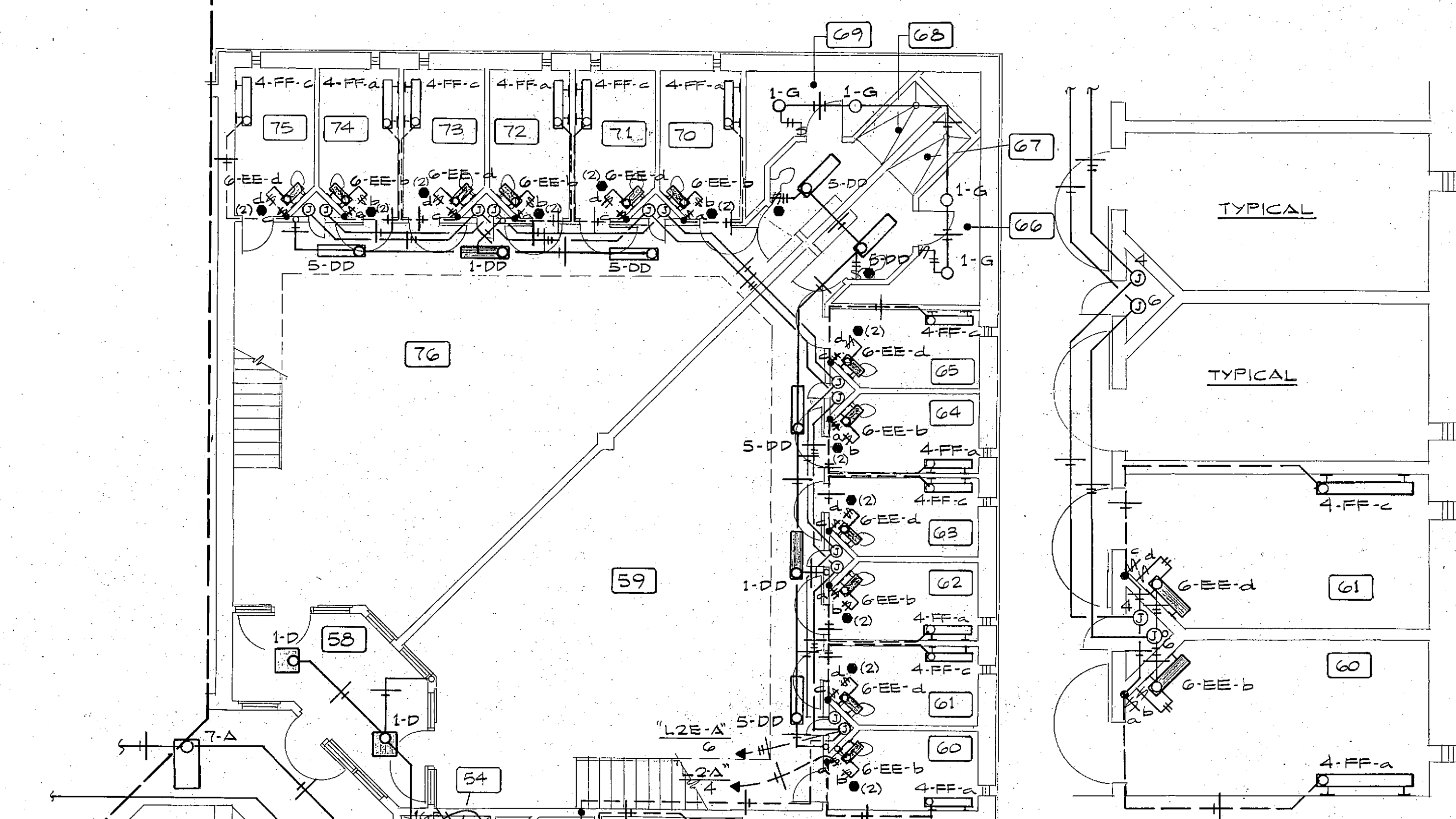
E-4
DRAWING NO.

NOTES:

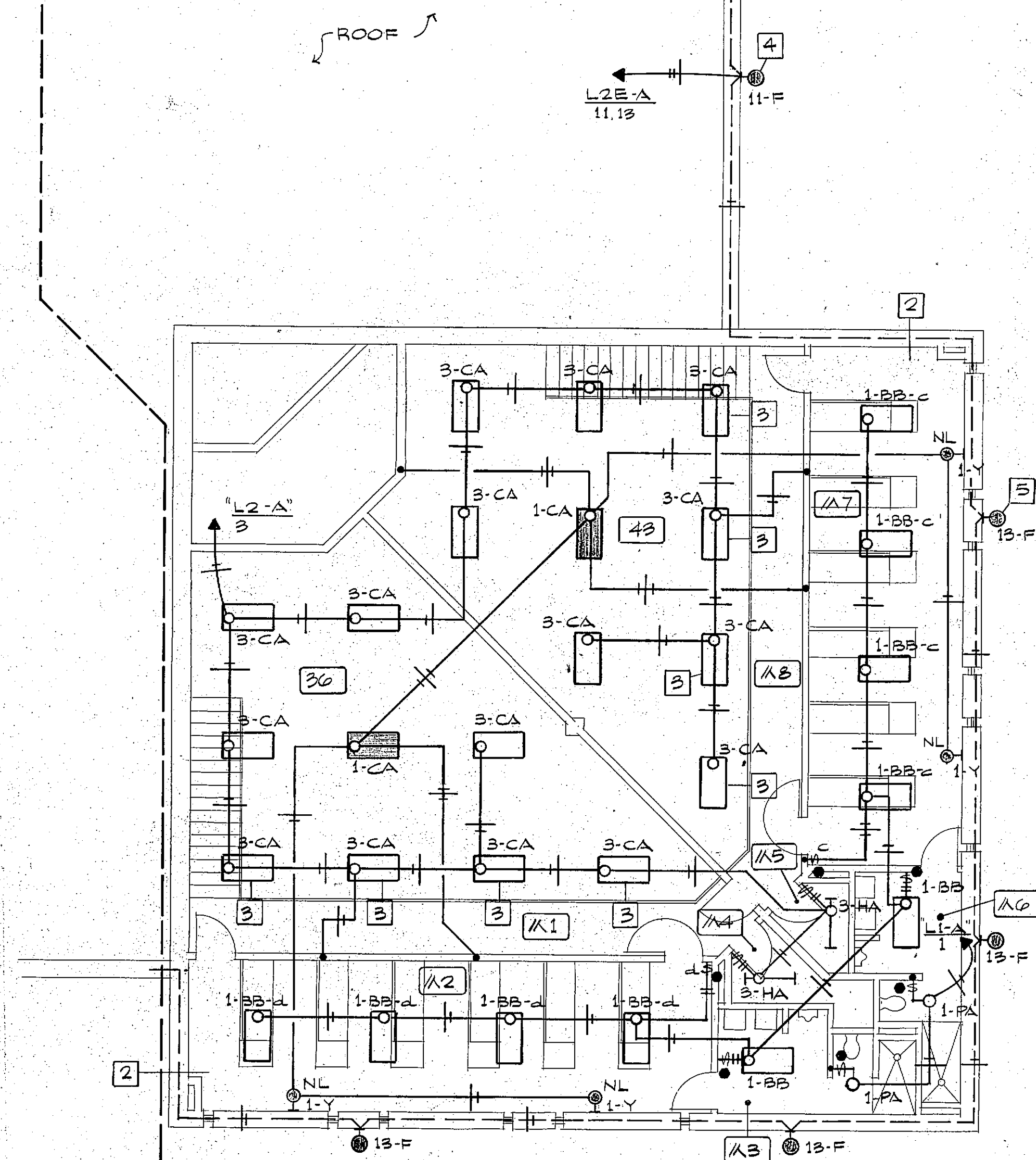
1. FOR EXACT LOCATIONS OF LIGHTING FIXTURES CHECK ARCHITECTURAL DWGS.
2. CONDUIT RUN ABOVE THE CEILING OF THE CELLS, TOILETS, DORMITORIES AND STORAGE AREAS OF THE MEZZANINE. SHALL BE RUN ABOVE THE CONCRETE SLAB. CORE DRILL CONCRETE SLAB WHERE NECESSARY FOR CONDUIT.
3. FIXTURES SHALL BE FURNISHED WITH *ALP19-24-CA LENS.
4. PROVIDE WITH PHOTO CELL TO CONTROL CIRCUIT #11.
5. PROVIDE WITH PHOTO CELL TO CONTROL CIRCUIT #13.



PARTIAL MEZZ. FLOOR PLAN
NO SCALE



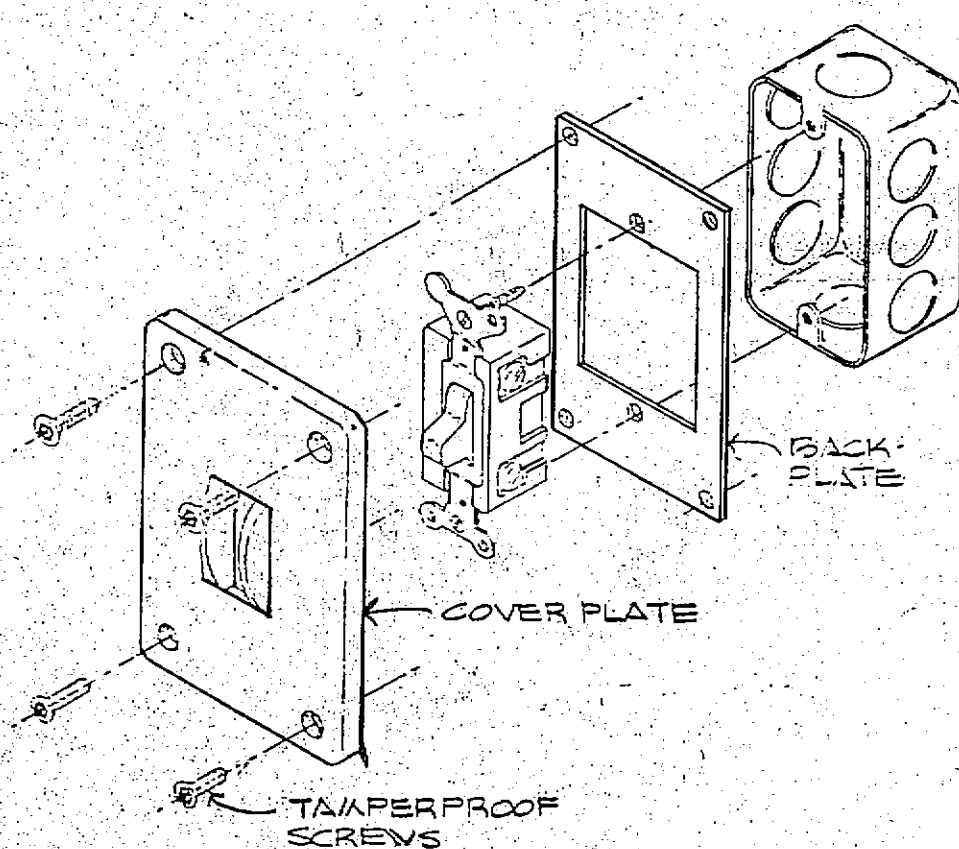
PARTIAL FLOOR PLAN - PART "B"
NO SCALE



MEZZANINE FLOOR PLAN
SCALE: 1/8" 1'-0"

ROOM NO.	ROOM NAME
M1	BALCONY
M2	MED. MALE DORM
M3	TOILET
M4	STORAGE
M5	STORAGE
M6	TOILET
M7	MED. MALE DORM
M8	BALCONY
M9	BALCONY
M10	CELL
M11	CELL
M12	CELL
M13	CELL
M14	CELL
M15	CELL
M16	STORAGE
M17	TOILET
M18	TOILET
M19	STORAGE
M20	CELL
M21	CELL
M22	CELL
M23	CELL
M24	CELL
M25	CELL
M26	BALCONY

ROOM NO.	ROOM NAME
16	CENTRAL CONTROL
17	TOILET
18	EQUIPMENT
35	VESTIBULE
36	MED. MALE DAY ROOM
37	MED. MALE DORM
38	TOILET
39	STORAGE
40	STORAGE
41	TOILET
42	MED. MALE DORM
43	MED. MALE DAY ROOM
44	CORRIDOR
45	VESTIBULE
46	ISOLATION DAY ROOM
47	SHOWER
48	CELL
49	CELL
50	CELL
51	CELL
52	CELL
53	CELL
54	SHOWER
55	SPEC. MALE DAY ROOM
56	FLOOR CONTROL
57	JANITOR
58	VESTIBULE
59	MED. MALE DAY ROOM
60	CELL
61	CELL
62	CELL
63	CELL
64	CELL
65	CELL
66	STORAGE
67	TOILET
68	STORAGE
69	STORAGE
70	CELL
71	CELL
72	CELL
73	CELL
74	CELL
75	CELL



SECURITY SWITCH COVER PLATE

FRANKLIN COUNTY ADULT JAIL
UNION, MISSOURI

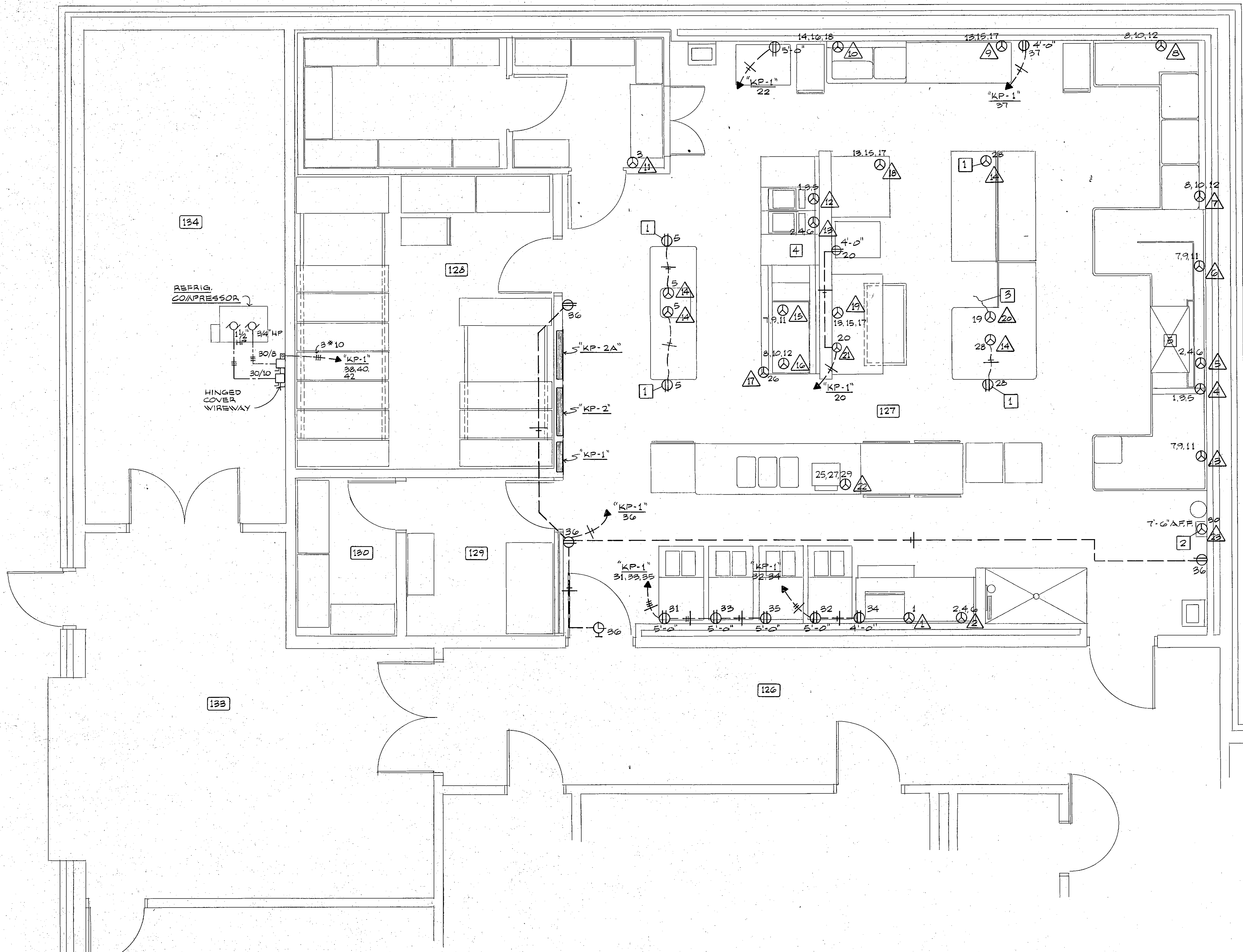
PEARCE CORPORATION
One Mercantile Center
Saint Louis, Missouri 63101

Siebold, Sydow & Eitanbaum Inc.
Structural Engineers
Colton/Lester/Niederhorn Associates, Inc.
Mechanical & Electrical Engineers
Walker McGough Foltz Lyster, P.S.
Security Consultants

STATE OF MISSOURI
REGISTERED PROFESSIONAL ENGINEER
FRANK R. NIEDERHORN
NUMBER E-6401

DRAWN BY P.B.
CHECKED BY F.N.
REVISED
PROJ. NO. 84-07.1.00
DATE 3-15-85

E-5
DRAWING NO.



PARTIAL FLOOR PLAN (KITCHEN AREA)

SCALE: 3/8" 1'-0"

NOTES:

- 1 RECEPTACLE FURNISHED & INSTALLED IN TABLE. ELECTRICAL CONTRACTOR SHALL FURNISH AND INSTALL WIRING AND FLEXIBLE CONDUIT FROM STUB TO RECEPTACLE.
- 2 EXTEND WIRING TO SHUNT TRIP BREAKER IN PANEL "KP-2A".
- 3 MAKE CONNECTION FROM MIXER TO JUNCTION BOX (SPECIAL PURPOSE No. 20).
- 4 PUSHBUTTON CONTROL SWITCH FOR "AVA-1" AND "EF-13" LOCATED ON HOOD.
- 5 SWITCH FOR "EF-10", LOCATE ON DISHWASHER HOOD.

PANEL "KP-1"		LOCATION: KITCHEN #127		TYPE: FLUSH		MAINS: 225A PLO	
BRK	CRK	WTR	DISC	TRIP	DISC	TRIP	DISC
20/3	1	1125	ICE MACHINE	20/1	3	1000	REPAIR.
20/3	2	5000	COFFEE URN	1	4	5000	COFFEE URN
20/3	7	766	DISPOSER	1	8	766	DISPOSER
20/3	8	766	DISPOSER	1	10	766	DISPOSER
20/3	13	477	CUTTER	1	15	477	CUTTER
20/3	14	766	DISPOSER	1	16	766	DISPOSER
20/3	19	265	MIXER	1	21	265	MIXER
20/1	20	600	KETTLE	20/1	28	677	SLICER
100/3	25	6000	PANEL IN ITEN K-46	27	6000	PANEL IN ITEN K-46	28
20/1	26	800	HOOD LIGHTS	20/1	28	800	RECEPT. COOKS
20/1	31	1500	RECEPT.	20/1	33	1500	RECEPT.
20/1	32	1500	RECEPT.	20/1	34	500	RECEPT.
20/1	37	828	RECEPT.	20/1	38	SPARE	20/1
20/3	38	1200	COMPRESSORS	40	1200	COMPRESSORS	40

PANEL "KP-2"		LOCATION: KITCHEN #127		TYPE: FLUSH		MAINS: 500A PLO	
BRK	CRK	WTR	DISC	TRIP	DISC	TRIP	DISC
20/3	1	5000	DISHWASHER	3	5000	DISHWASHER	5
20/3	2	766	DISHWASHER	4	766	DISHWASHER	6
20/3	7	3500	BOOSTER HTR.	8	3500	BOOSTER HTR.	11
20/3	8	3000	PAN SINK	10	3000	PAN SINK	12
20/3	13	12000	STEAMER	15	12000	STEAMER	17
100/3	14	18358	MAKE-UP UNIT	16	18358	MAKE-UP UNIT	18
20/3	19	690	EXHAUST FAN	21	690	EXHAUST FAN	23
100/3	20	SPACE ONLY	22	SPACE ONLY	24	SPACE ONLY	26
100/3	25	SPACE ONLY	27	SPACE ONLY	28	SPACE ONLY	29

PANEL "KP-2A"		LOCATION: KITCHEN #127		TYPE: FLUSH		MAINS: 225A PLO	
BRK	CRK	WTR	DISC	TRIP	DISC	TRIP	DISC
20/3	1	4000	FRYER	3	4000	FRYER	5
20/3	2	4000	FRYER	4	4000	FRYER	6
20/3	7	7000	RANGE	9	7000	RANGE	11
20/3	8	7000	RANGE	10	7000	RANGE	12
20/3	13	7400	OVEN	15	7400	OVEN	17
20/3	14	SPACE ONLY	20/3	16	SPACE ONLY	20/3	18
20/3	19	SPACE ONLY	20/3	21	SPACE ONLY	20/3	23

SPECIAL PURPOSE SCHEDULE

NO.	LOCATION	SERVICE	LOAD CHARACTERISTICS			SOURCE OF POWER		MTG. HGT.	REMARKS	
			HP.	AMPS	KW	VOLTAGE	PANEL			FEEDER
1	KITCHEN	ICE MACHINE	1/2	—	—	120	KP-1	2*12	20A. 1P	(*) STUB UP AND CONNECT AS REQUIRED
2	KITCHEN	COFFEE URN	—	—	15.0	120/208.3φ	KP-1	4*10 1" c.	70A. 3P	(*)
3	KITCHEN	DISPOSER	2	—	—	208.3φ	KP-1	3*12	20A. 3P	(*) STUB UP AND CONNECT TO CONTROL PANEL
4	KITCHEN	DISHWASHER	—	—	15.0	480. 3φ	KP-2	3*10	30A. 3P	(*) STUB UP AND CONNECT AS REQUIRED
5	KITCHEN	DISHWASHER	2	—	—	480. 3φ	KP-2	3*12	20A. 3P	(*) STUB UP AND CONNECT AS REQUIRED
6	KITCHEN	BOOSTER HTR.	—	—	45.0	480. 3φ	KP-2	3*4 1" c.	100A. 3P	(*) STUB UP AND CONNECT TO UNIT
7	KITCHEN	PAN SINK	—	—	9.0	480. 3φ	KP-2	3*12	20A. 3P	(*) STUB UP AND CONNECT TO UNIT
8	KITCHEN	DISPOSER	2	—	—	208. 3φ	KP-1	3*12	20A. 3P	(*) STUB UP AND CONNECT TO CONTROL PANEL
9	KITCHEN	CUTTER	1	—	—	208. 3φ	KP-1	3*12	20A. 3P	(*) NEAR #15-20R, FOR SANDING PURPOSE (#1)
10	KITCHEN	DISPOSER	2	—	—	208. 3φ	KP-1	3*12	20A. 3P	(*) STUB UP AND CONNECT TO CONTROL PANEL
11	RERIG.	CONTROL SYSTEM	—	—	—	120	KP-1	2*12	20A. 1P	(*) STUB DOWN FROM C10 CONNECT TO CONTROL PANEL
12	KITCHEN	FRYER	—	—	12.0	480. 3φ	KP-2A	3*10	30A. 3P	(*) STUB UP AND CONNECT TO FRYER
13	KITCHEN	FRYER	—	—	12.0	480. 3φ	KP-2A	3*10	30A. 3P	(*) STUB UP AND CONNECT TO FRYER
14	KITCHEN	RECEPTACLES IN TABLES	—	—	—	120	KP-1	2*12	20A. 1P	(*) STUB UP AND CONNECT TO RECEPTACLE (#2)
15	KITCHEN	RANGE	—	—	21.0	480. 3φ	KP-2A	3*8 3/4" c.	50A. 3P	(*) STUB UP AND CONNECT TO UNIT
16	KITCHEN	RANGE	—	—	21.0	480. 3φ	KP-2A	3*8 3/4" c.	50A. 3P	(*) STUB UP AND CONNECT TO UNIT
17	KITCHEN	HOOD LIGHTS	—	—	0.4	120	KP-1	2*12	20A. 1P	(*) STUB DOWN FROM CEILING AND CONNECT TO HOOD LIGHTS
18	KITCHEN	OVEN	—	—	22.2	480. 3φ	KP-2A	3*8 3/4" c.	50A. 3P	(*) STUB UP AND CONNECT TO OVEN
19	KITCHEN	STEAMER	—	—	36.0	480. 3φ	KP-2	3*6 1" c.	70A. 3P	(*) STUB UP AND CONNECT TO STEAMER
20	KITCHEN	MIXER	1/2	—	—	208. 3φ	KP-1	3*12	20A. 3P	(*) STUB UP TO JCT. BOX IN COOK'S TABLE (#3)
21	KITCHEN	KETTLE	—	—	—	120	KP-1	2*12	20A. 1P	(*) STUB UP AND CONNECT TO KETTLE
22	KITCHEN	PANEL IN ITEA K-46	—	—	18.0	120/208.3φ	KP-1	4*3 1/4" c.	100A. 3P	(*) STUB UP AND CONNECT TO PANEL
23	KITCHEN	FIRE EXTINGUISHING SYSTEM	—	—	—	120	KP-1	2*12	20A.	(*) CONNECT TO CONTROL PANEL

- * VERIFY MOUNTING HEIGHTS, ETC. FROM SHOP DRAWINGS.
- *1 CHECK TYPE OF PLUG FURNISHED WITH EQUIPMENT BEFORE INSTALLATION.
- *2 RECEPTACLE FURNISHED AND INSTALLED IN TABLE BY KITCHEN EQUIPMENT SUPPLIER.
- *3 JUNCTION BOX FURNISHED AND INSTALLED IN TABLE BY KITCHEN EQUIPMENT SUPPLIER.
- *4 PANEL FURNISHED AS PART OF KITCHEN EQUIPMENT.

FRANKLIN COUNTY ADULT JAIL
UNION, MISSOURI

PEARCE CORPORATION

One Mercurius Center
St. Louis, Missouri 63101

Stalrod, Sydow & Effenbaum Inc.
Structural Engineers

Colton/Lester/Niederhorn Associates, Inc.
Mechanical & Electrical Engineers

Walker, McLaughlin, Foltz, Lyster, P.S.
Security Consultants

DRAWN BY: **DS**

CHECKED BY: **E.N.**

REVISOR: **REVISOR**

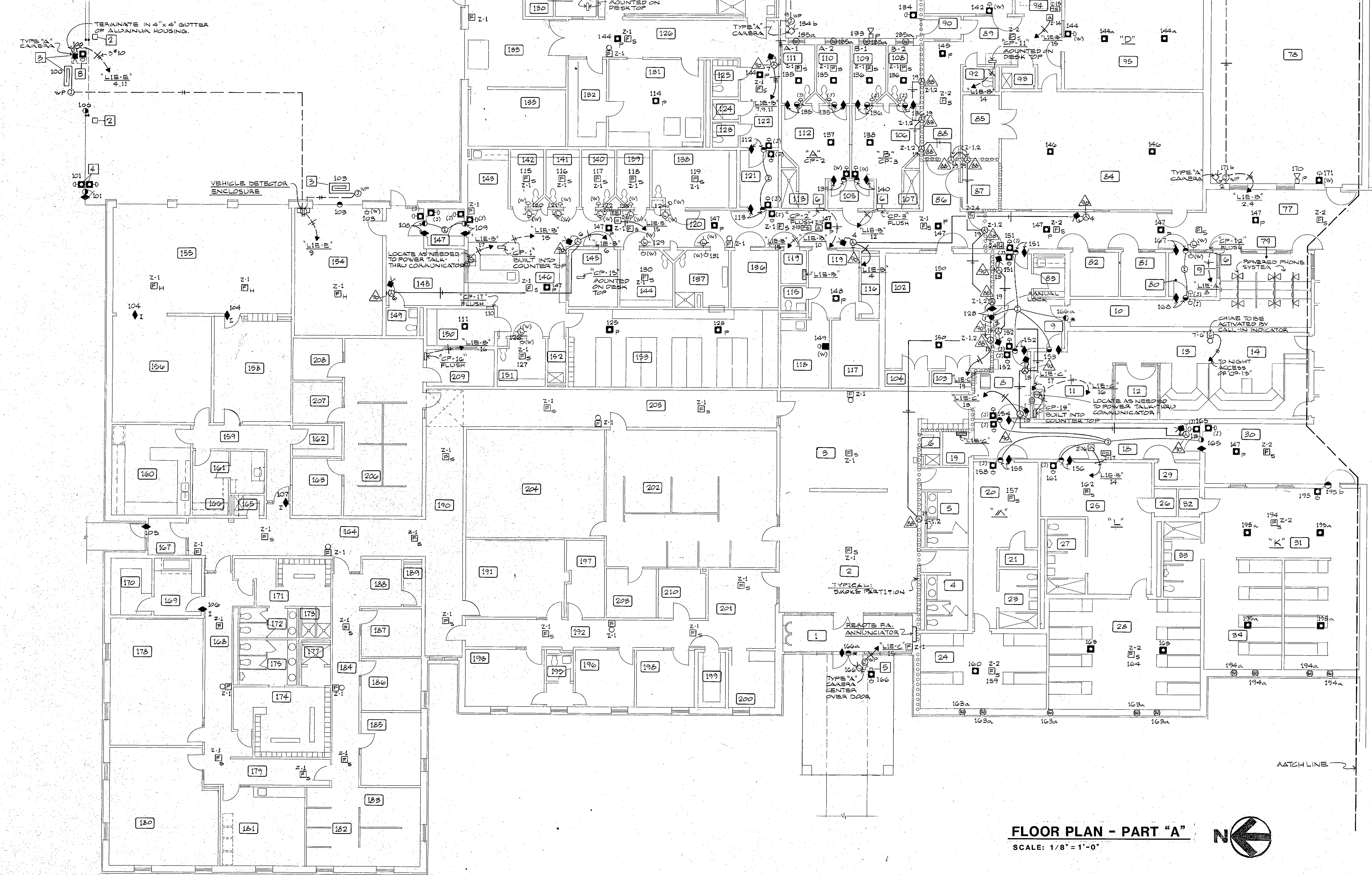
PROJ. NO.: **84-07.1.00**

DATE: **3-15-85**

E-6

DRAWING NO.

- NOTES:**
- 1 WEATHERPROOF ENCLOSURE FURNISHED AND INSTALLED BY ELECTRICAL CONTRACTOR. SEE SPECIFICATIONS FOR ADDITIONAL INFORMATION.
 - 2 VERIFY GATE CONTROLLER LOCATION.
 - 3 VERIFY LOCATION.
 - 4 MOUNT IN WEATHERPROOF BOX, ATTACH TO FENCE.
 - 5 6" X 6" STEEL POST FURNISHED AND INSTALLED BY GEN. CONTRACTOR. CUT OPENING FOR SPEAKER.
 - 6 BOXES AND DOORS FURNISHED AND INSTALLED BY GENERAL CONTRACTOR.
 - 7 FOR EXACT LOCATIONS OF CEILING MOUNTED SPEAKERS AND SMOKE DETECTORS, CHECK ARCHITECTURAL DRAWINGS.
 - 8 SEE DETAIL ON DWG. NO. E-19.
 - 9 LOCATION FOR MONITORING AND RECORDING JACKS, WITH NECESSARY SWITCHING.



ROOM NO.	ROOM NAME	ROOM NO.	ROOM NAME
1	VESTIBULE	136	MATTRESS STORAGE
2	LOBBY	137	RECEIVING
3	WAITING	138	MALE CONG. HOLDING
4	WORKER	139	HOLDING
5	MEN	140	HOLDING
6	JANITOR	141	HOLDING
7	PASSAGE	142	MEDICAL EXAM
8	VESTIBULE	143	FEM. CONG. HOLDING
9	SALLPORT	144	JAILER
10	PASSAGE	145	
11	OPEN OFFICE AREA	146	PROCESSING
12	E.O.C. OFFICE	147	SALLPORT
13	E.O.C. COMMUNICATIONS	148	LOW LOBBY
14	POLICE COMMUNICATIONS	149	TOILET
15	SALLPORT	150	LINE UP
16		151	DETOX.
17		152	JANITOR
18		153	CLOTHING/PROP. RM.
19	ELECTRICAL	154	VEHICLE SALLPORT
20	DAY ROOM	155	VEHICLE STORAGE
21	STORAGE	156	VEHICLE PROCESSING
22	PASSAGE	157	VESTIBULE
23	TOILET	158	LARGE EVIDENCE
24	FEM. W.R. DOOR	159	PASSAGE
25	DAY ROOM	160	CRIME LAB
26	STORAGE	161	PHOTO LAB LIGHT SIDE
27	TOILET	162	SMALL EVIDENCE
28	MALE W.R. DOOR	163	SUPERVISOR
29	MECH. CORRIDOR	164	CORRIDOR
30	DAY ROOM	165	JANITOR
31	STORAGE	166	PHOTO LAB DARK SIDE
32	TOILET	167	VESTIBULE
33		168	PASSAGE
34	MALE TRUSTEE DOOR	169	ARMORY
35	MAX. MALE DAY ROOM	170	WEAPONS STORAGE
36	CORRIDOR	171	WOMEN'S LOCKER
37	OUTDOOR REC. AREA	172	WOMEN'S TOILET
38	VISITING	173	SHOWERS
39	VISITING	174	WOMEN'S LOCKER
40	INTERVIEW	175	MEN'S TOILET
41	INTERVIEW	176	DRY
42	KITCHEN	177	SHOWER
43	MULTIPURPOSE RM.	178	PASSAGE
44		179	PASSAGE
45	STORAGE	180	TOILET
46	ALONE	181	VEHICLE STORAGE
47	CHAPLAIN'S OFFICE	182	REPORT WRITE UP
48	PASSAGE	183	SEGEANTS
49	PASSAGE	184	PASSAGE
50	VESTIBULE	185	SUPERVISOR
51	OUTDOOR REC. AREA	186	CAPTAIN
52	TOILET	187	TRAPIC
53	JANITOR	188	SEC. Y/RECP.
54	LAUNDRY	189	STORAGE
55	DAY ROOM	190	CORRIDOR
56	TOILET	191	CONFERENCE
57	MED. FEM. DOOR 1	192	PASSAGE
58	MED. FEM. DOOR 2	193	SHOWER
59	DAY ROOM	194	SEC. Y/RECP.
60	POW. TRUSTEE DOOR	195	TOILET
61	TOILET	196	DEPUTY
62	LIBRARY	197	MECH.
63	STORAGE	198	C. R. OFFICE
64	STORAGE	199	VAULT
65	VESTIBULE	200	FILES/MORNING
66	DAY ROOM	201	SEC. Y/RECP.
67	SHOWER	202	OFFICE
68	SEGREGATION CELL	203	CIVIL FILES
69	SEGREGATION CELL	204	CENTRAL FILES
70	MAXIMUM CELL	205	CORRIDOR
71	MAXIMUM CELL	206	DETECTIVES
72	DAY ROOM	207	INTERVIEW
73	SHOWER	208	INTERVIEW
74	WAITING	209	OBSERVATION
75	TOILET	210	FILES
76	STORAGE		
77	NURSE		
78	CRAM		
79	R/Y		
80	CORRIDOR		
81	SALLPORT		
82	CORRIDOR		
83	WOMEN TOILET		
84	JANITOR		
85	STAFF TOILET		
86	SERVICE CORRIDOR		
87	KITCHEN		
88	DAY STORAGE		
89	OFFICE		
90	SECURE STORAGE		
91	LAUNDRY		
92	CLEAN LINEN		
93	RESTRICTED		
94	MAINTENANCE		
95	ELECTRICAL		

FLOOR PLAN - PART "A"
SCALE: 1/8" = 1'-0"



FRANKLIN COUNTY ADULT JAIL
UNION, MISSOURI

PEARCE CORPORATION
One Mercantile Center
Saint Louis, Missouri 63101

Siebold, Sydow & Eftanbaum Inc.
Structural Engineers
Colton/Lester/Niederkorn Associates, Inc.
Mechanical & Electrical Engineers
Walker McGough, Foltz Lyster, P.S.
Security Consultants

STATE OF MISSOURI
FRANK R. NIEDERKORN
NUMBER E-6401

DRAWN BY E.S.
CHECKED BY F.N.
REVISOR

E-7

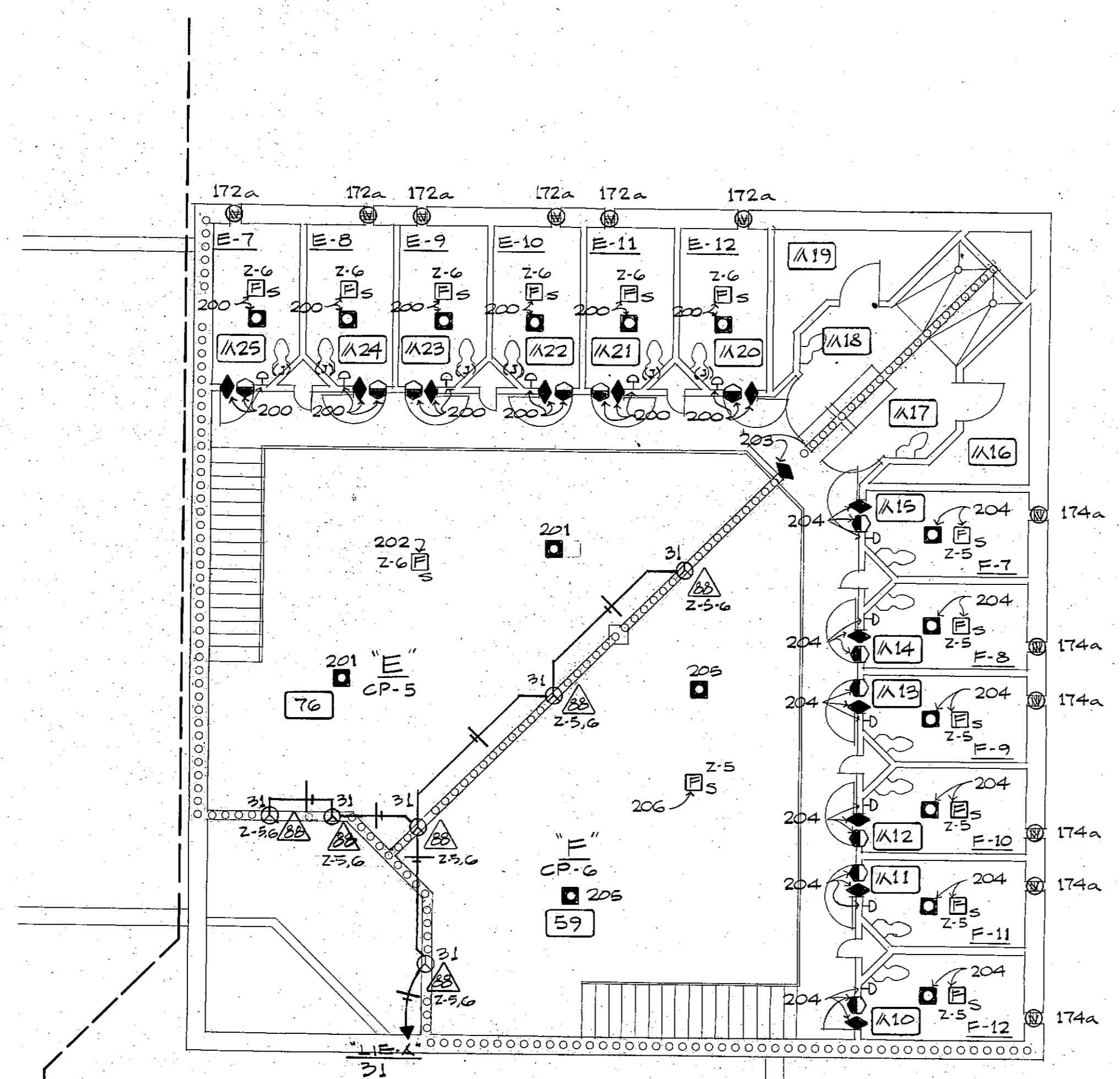
PROJ. NO. 84-07.1.00
DATE 3-15-83
DRAWING NO.

SECURITY SYSTEM SYMBOLS: (SEE DWG. E-1 FOR F.A. SYMBOLS)

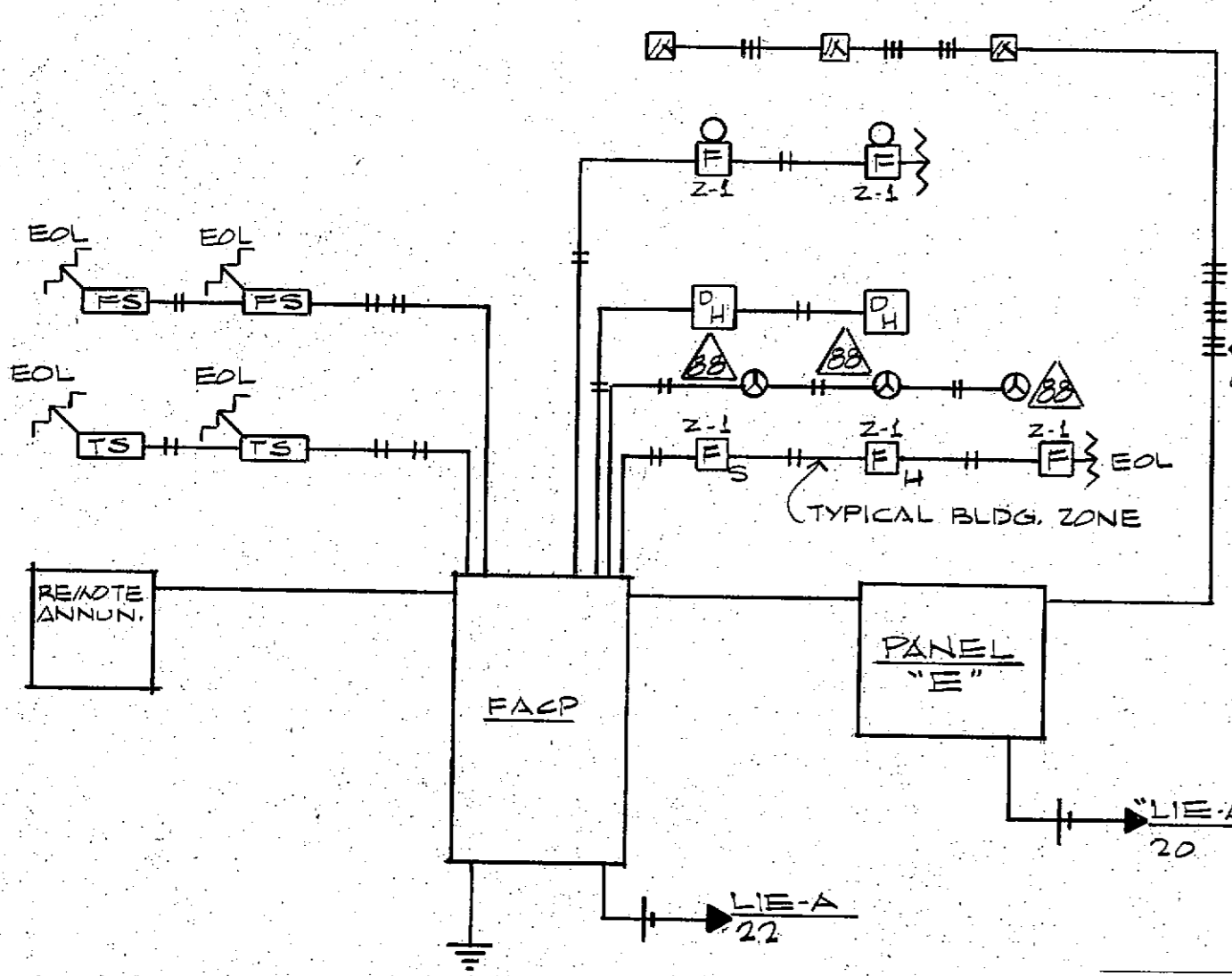
- ⊙ ELECTRIC LOCK
- ⊙* ELECTRIC STRIKE
- ① CONNECTED DOORS INTERLOCKED
- ⌘ JAMB SWITCH
- ⊠ SPEAKER - ONE OR TWO WAY
- ⊠ SPEAKER - PAGE ONLY
- ⊠ YARD SPEAKER
- ⊠ CALL BUTTON
- ⬢ DOOR POSITION INDICATOR SWITCH
- ⬢ INTERRUPTABLE D.P.I.S.
- ⊠ CONTINUOUS MONITOR CCTV
- ⊠ SYSTEM MONITOR CCTV
- CP-1 CONTROL POINT
- ⊠ COVERED PHONE SYSTEM
- ⊠ AUTO DETECTOR LOOP
- ⊙ ELECTRIC DEADBOLT
- ⊠ PERSONAL ALARM/PANIC BUTTON
- ⊙ SIGNAL LIGHT
- ⊙ GLASS BREAK DETECTOR
- ⊠ MOTORIZED BUTTERFLY VALVE
- ⊙ POWER TALK-THRU COMMUNICATOR

ABBREVIATIONS:
 (W) WALL MOUNTED
 (J) JAMB MOUNTED

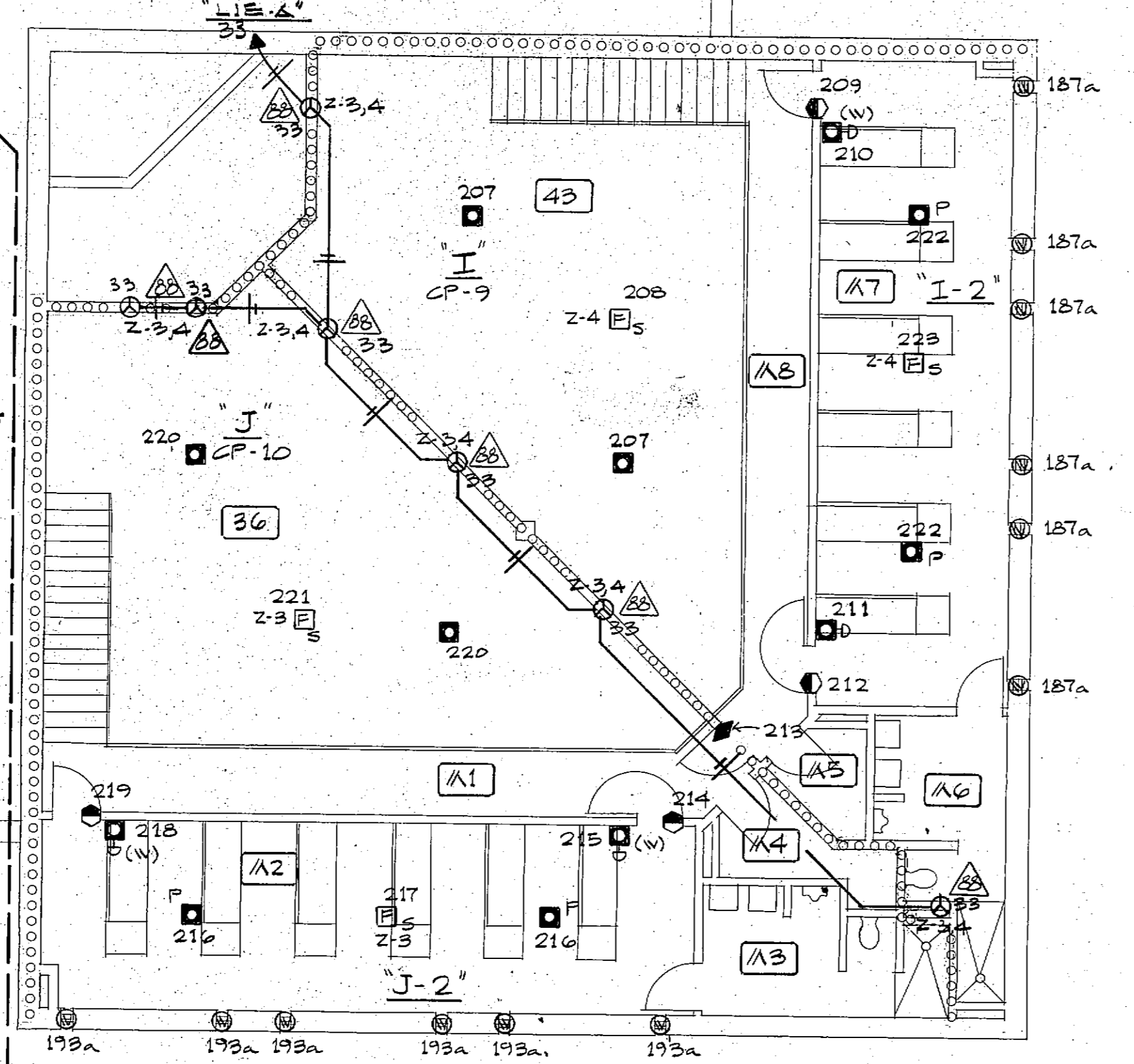
- NOTES:**
- SECURITY SYSTEMS EQUIPMENT CABINET SHALL BE #1A-300-20. CONNECT CIRCUITING TO POWER STRIPS IN CABINET.
 - PROVIDE THE SAME QUANTITY AND SIZE OF CONDUIT AS REQUIRED FOR "CP-G".
 - FOR EXACT LOCATIONS OF CEILING MOUNTED SPEAKERS AND SMOKE DETECTORS CHECK ARCHITECTURAL DRAWINGS.
 - LOCATE AS NECESSARY TO POWER TALK-THRU COMMUNICATOR.



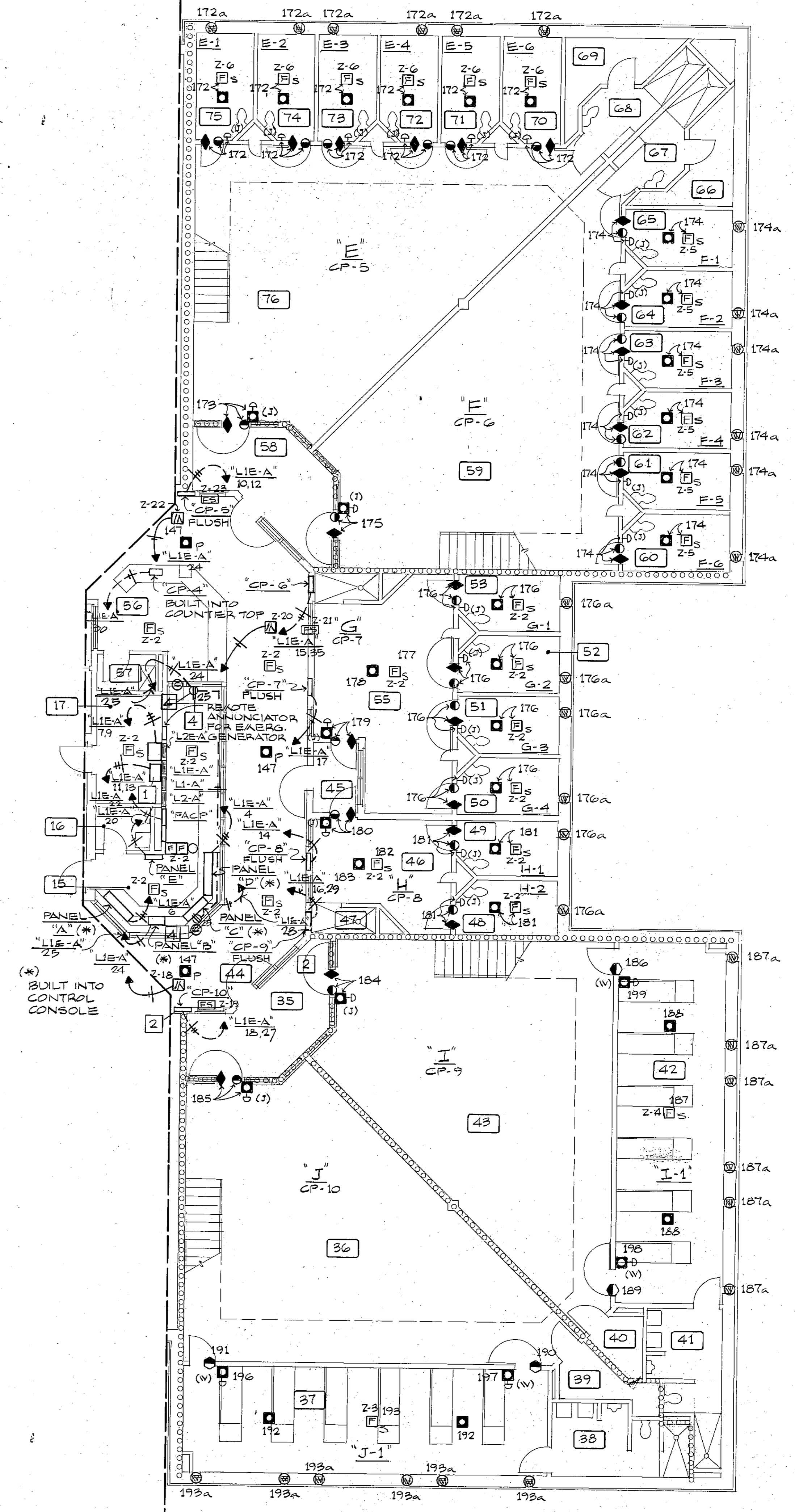
ROOM NO.	ROOM NAME
M1	BALCONY
M2	MED. MALE DOOR
M3	TOILET
M4	STORAGE
M5	STORAGE
M6	TOILET
M7	MED. MALE DOOR
M8	BALCONY
M9	BALCONY
M10	CELL
M11	CELL
M12	CELL
M13	CELL
M14	CELL
M15	CELL
M16	STORAGE
M17	TOILET
M18	STORAGE
M19	STORAGE
M20	CELL
M21	CELL
M22	CELL
M23	CELL
M24	CELL
M25	CELL
M26	BALCONY



TYPICAL FIRE ALARM SCHEMATIC



MEZZANINE FLOOR PLAN
 SCALE: 1/8" = 1'-0"



FLOOR PLAN - PART "B"
 SCALE: 1/8" = 1'-0"

ROOM NO.	ROOM NAME
15	CENTRAL CONTROL
16	TOILET
17	EQUIPMENT
25	VESTIBULE
35	MED. MALE DAY ROOM
37	MED. MALE DOOR
38	TOILET
39	STORAGE
40	STORAGE
41	TOILET
42	MED. MALE DOOR
43	MED. MALE DAY ROOM
44	CORRIDOR
45	VESTIBULE
46	ISOLATION DAY ROOM
47	SHOWER
48	CELL
49	CELL
50	CELL
51	CELL
52	CELL
53	CELL
54	SHOWER
55	SPEC. MALE DAY ROOM
56	FLOOR CONTROL
57	JANITOR
58	VESTIBULE
59	MAX. MALE DAY ROOM
60	CELL
61	CELL
62	CELL
63	CELL
64	CELL
65	CELL
66	STORAGE
67	TOILET
68	TOILET
69	CELL
70	CELL
71	CELL
72	CELL
73	CELL
74	CELL
75	CELL

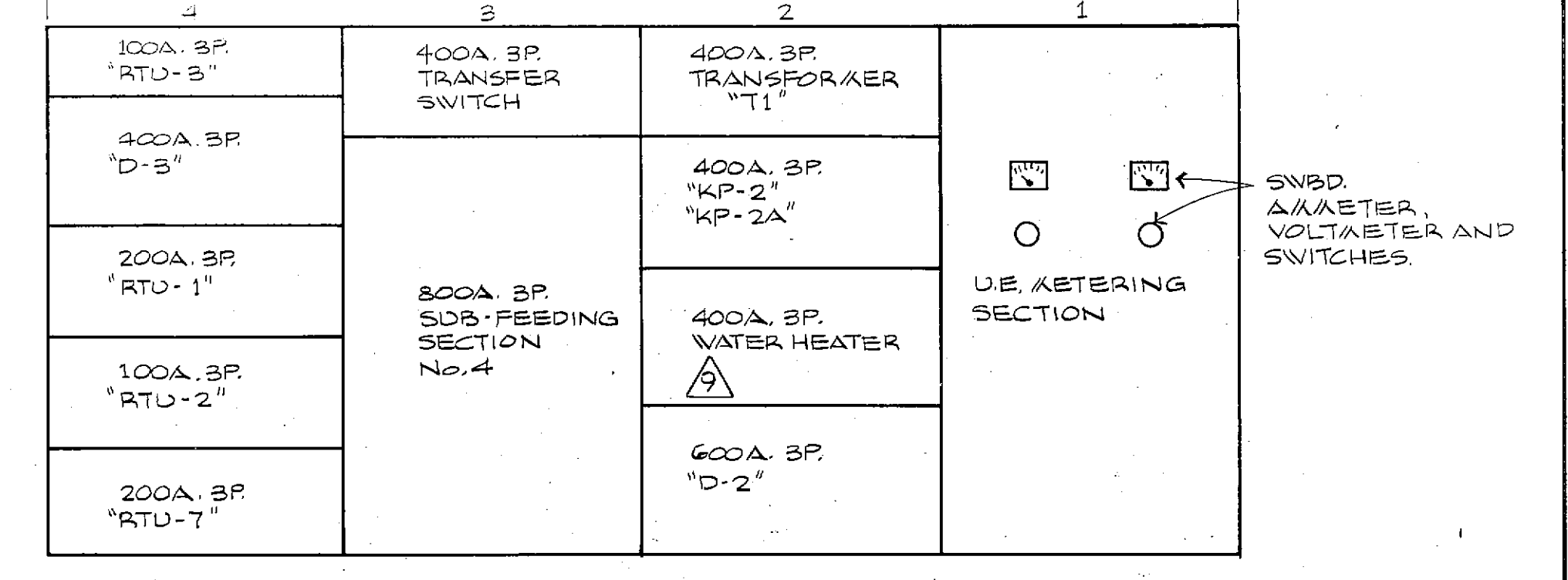
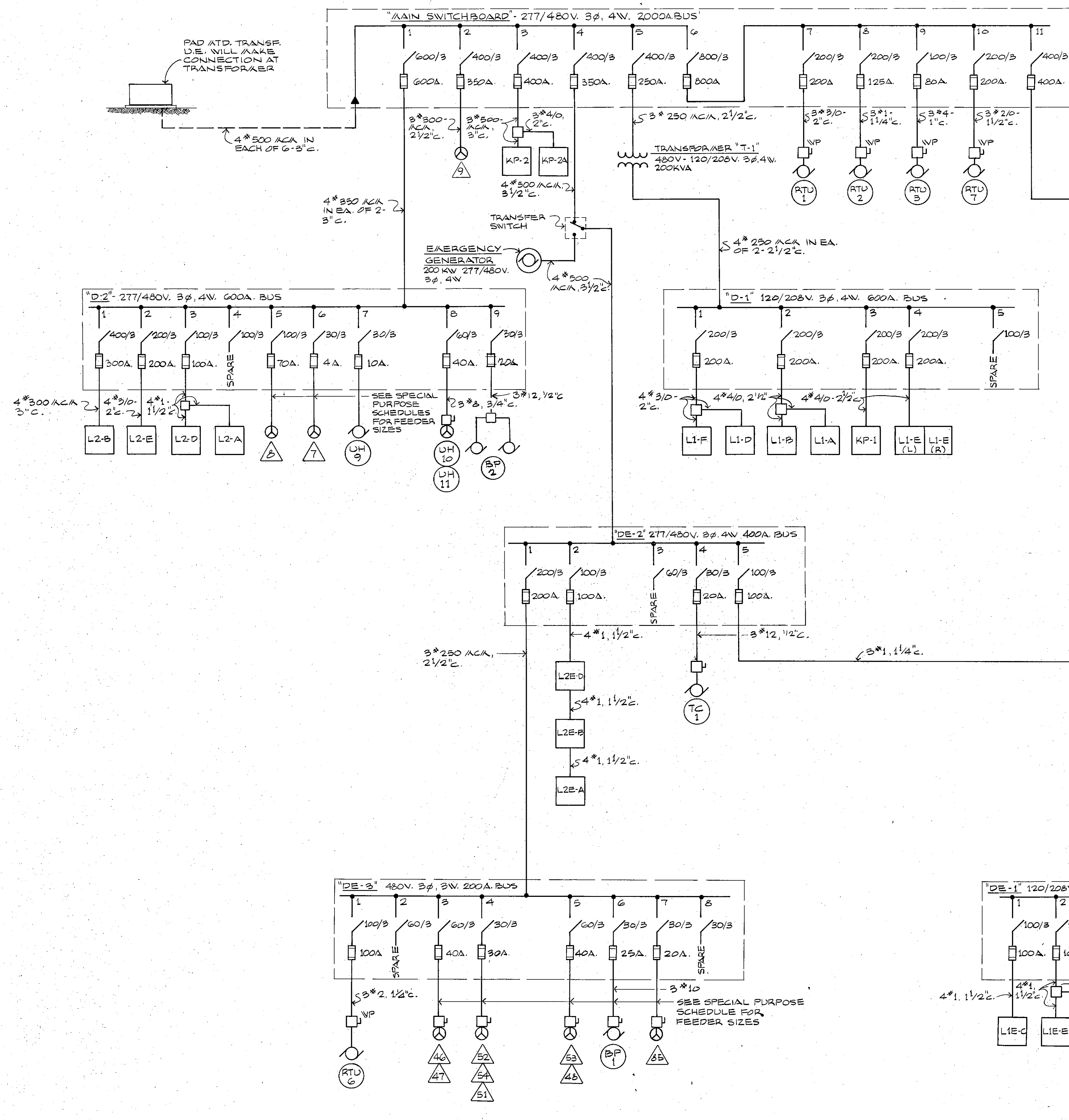
SEE SITE PLAN, DWG. No. E-1 FOR LOCATION OF OUTSIDE "CCTV" MONITOR.

FRANKLIN COUNTY ADULT JAIL
 UNION, MISSOURI

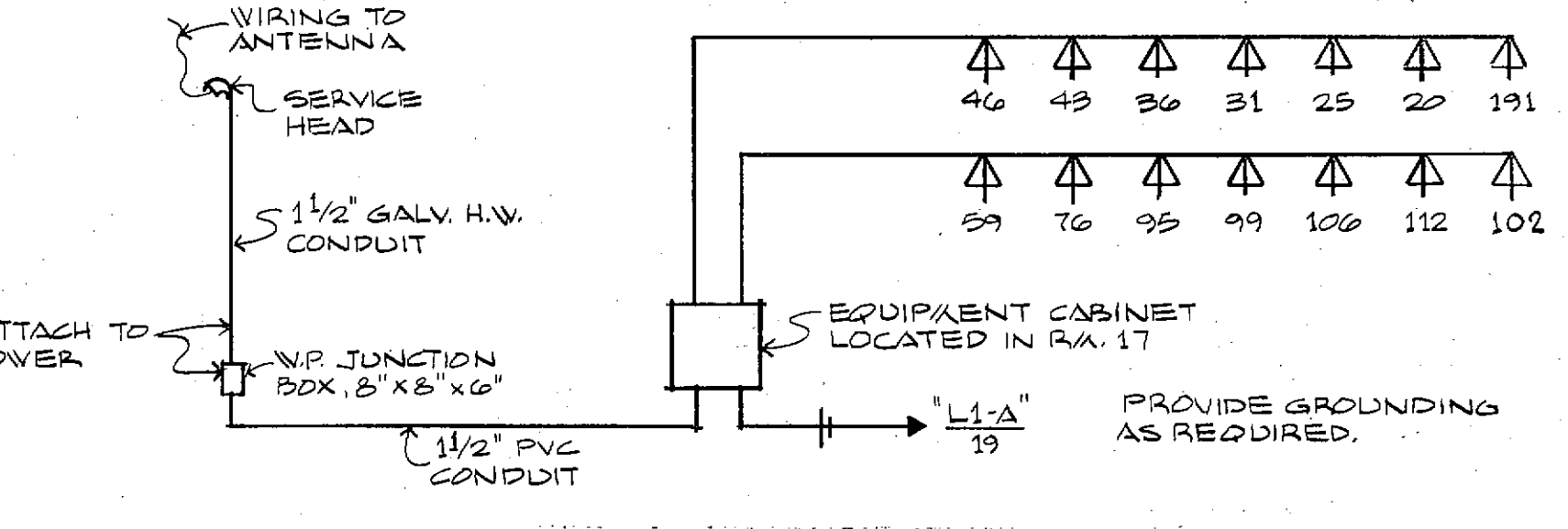
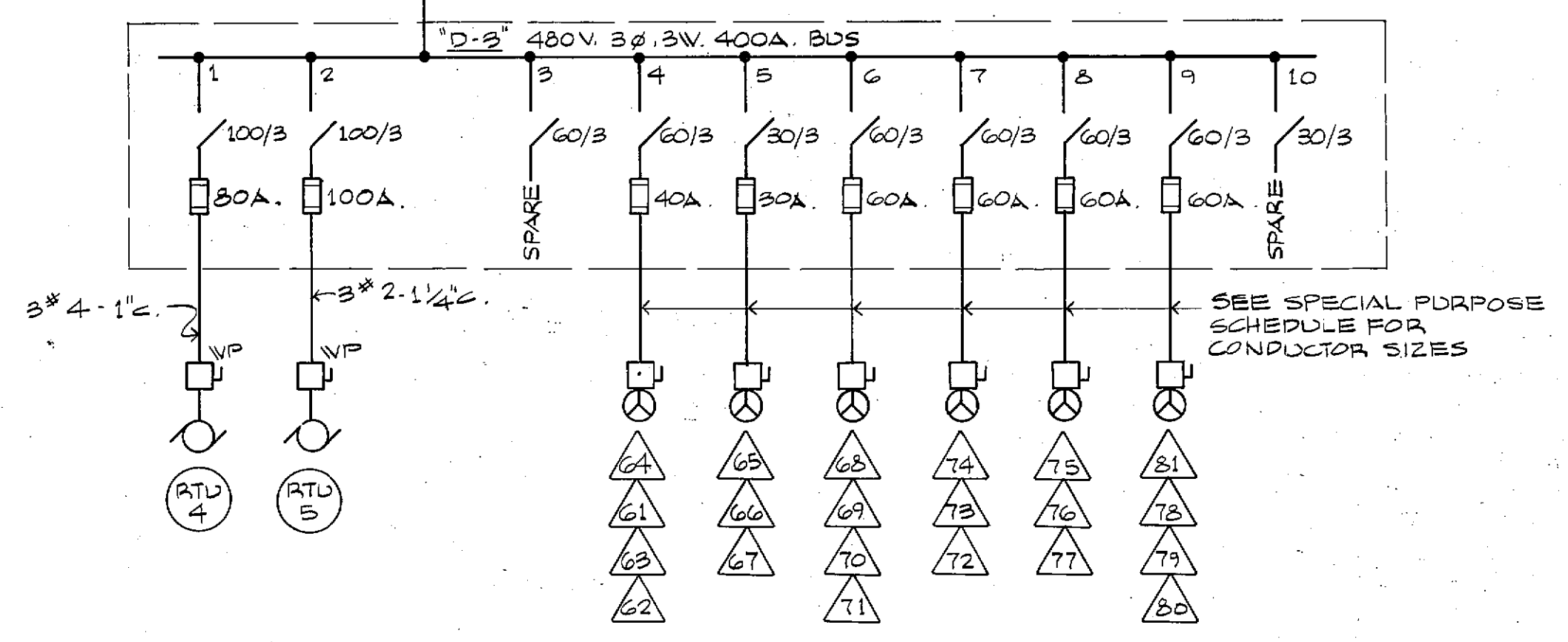
PEARCE CORPORATION
 One Mercantile Center
 Saint Louis, Missouri 63101

Stebold, Sydow & Effenbaum Inc.
 Structural Engineers
 Colton/Leater/Niederhorn Associates, Inc.
 Mechanical & Electrical Engineers
 Walker McLaughlin Foltz Lyerla, P.S.
 Security Consultants

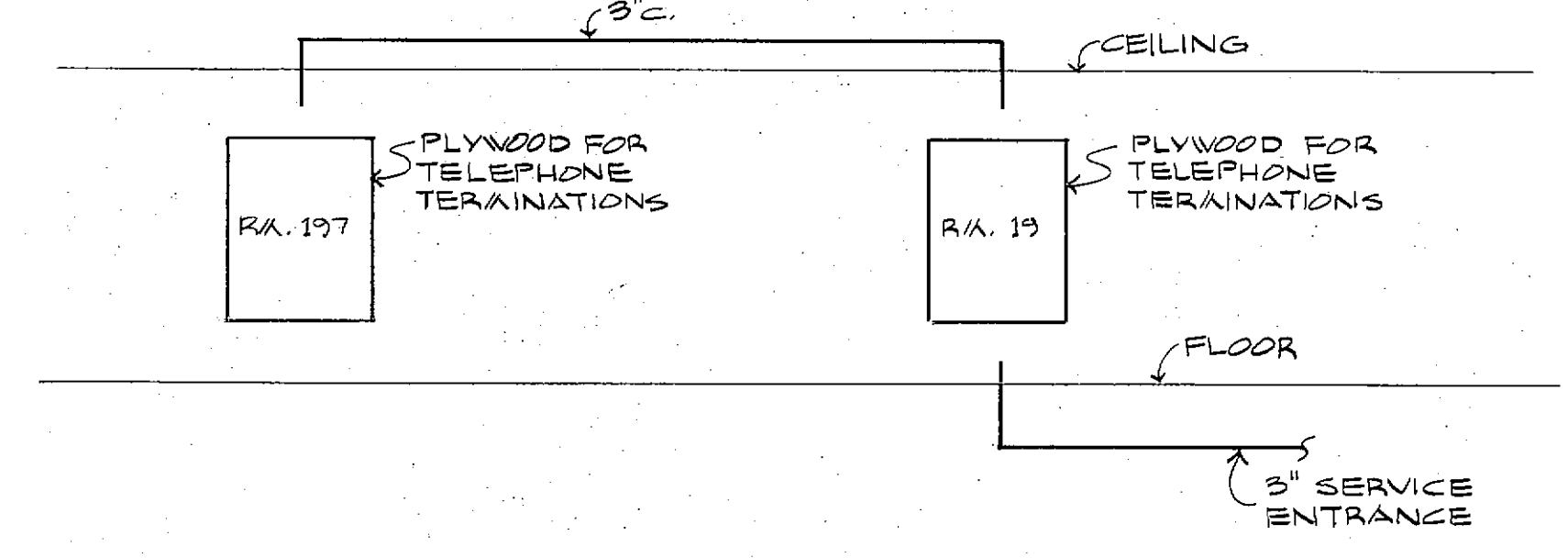
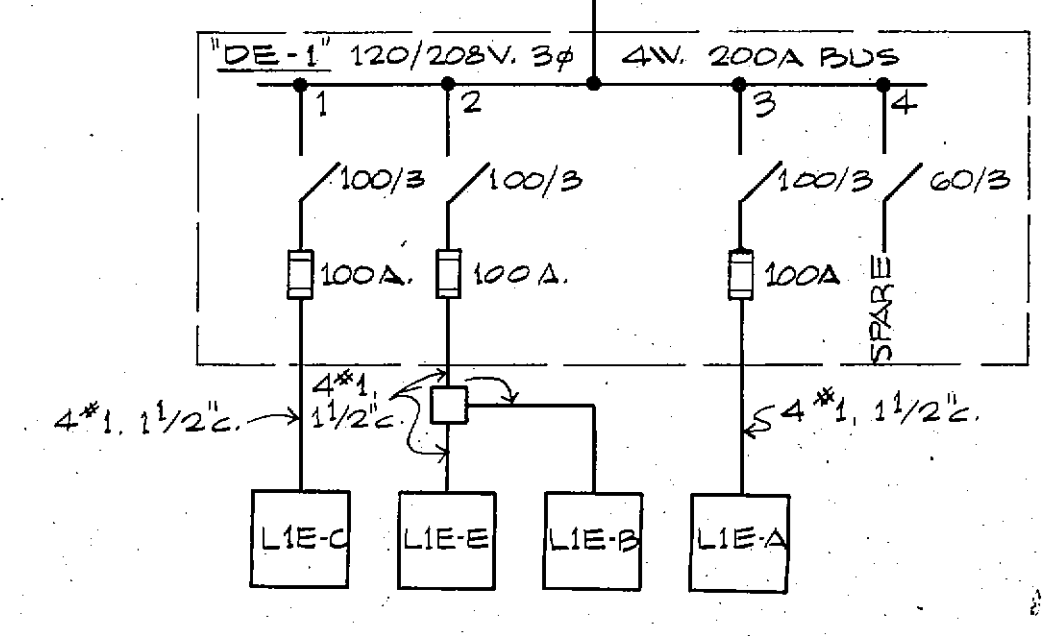
	DRAWN BY D.B.	<p>E-8</p>
	CHECKED BY F.N.	
	REVISOR	
	DATE 3-15-85	



FRONT VIEW OF MAIN SWITCHBOARD
NOT TO SCALE



T.V. RISER DIAGRAM



TELEPHONE RISER DIAGRAM

ONE - LINE RISER DIAGRAM

MOTOR SCHEDULE													
DESIGNATION	MOTOR DATA			STARTER			DISCONNECT SWITCH		INTER-LOCKED WITH		LOCATION		
	H.P.	K.W.	PHASE	FURN. BY	INST. BY	CONTROL	FURN. BY	INST. BY	MOTOR NO.	FROM			
ROOF TOP UNIT RTU-1	120.3	3	480	M	N	RELAY	E	E	EF-1, EF-2, EF-3	SHED.	1, 5	ROOF	AT UNIT
ROOF TOP UNIT RTU-2	71.2	3	480	M	N	RELAY	E	E	EF-5, 6, 7, 8	SHED.	4	ROOF	AT UNIT
ROOF TOP UNIT RTU-3	46.9	3	480	M	N	RELAY	E	E	EF-9	SHED.	5	ROOF	AT UNIT
ROOF TOP UNIT RTU-4	46.9	3	480	M	N	RELAY	E	E	EF-14	DS	5	ROOF	AT UNIT
ROOF TOP UNIT RTU-5	55.4	3	480	M	N	RELAY	E	E	EF-15	DS	5	ROOF	AT UNIT
ROOF TOP UNIT RTU-6	58.4	3	480	M	N	RELAY	E	E	EF-11, 12	DE-3	5	ROOF	AT UNIT
ROOF TOP UNIT RTU-7	112.5	3	480	M	N	RELAY	E	E	EF-1	SHED.	1	ROOF	AT UNIT
KITCHEN MAKE-UP AIR UNIT MAK-1	3/4	3	480	M	N	RELAY	E	E	EF-13	SHED.	2	ROOF	AT UNIT
EXHAUST FAN EF-1	1/3	1	120	E	E	RELAY	M	M	RTU-1	L1-E (L)	3	ROOF	RH. 174
EXHAUST FAN EF-2	1/6	1	120	E	E	RELAY	M	M	RTU-1	L1-B	3	ROOF	RH. 19
EXHAUST FAN EF-3	73	120	1	E	E	RELAY	M	M	RTU-1	L1-D	3	ROOF	RH. 155
EXHAUST FAN EF-4	1/6	1	120	E	E	RELAY	M	M	RTU-2	L1-E (L)	7	ROOF	DARK ROOM RH. 110
EXHAUST FAN EF-5	1/6	1	120	E	E	RELAY	M	M	RTU-2	L1-E (L)	4	ROOF	RH. 152

MOTOR SCHEDULE													
DESIGNATION	MOTOR DATA			STARTER			DISCONNECT SWITCH		INTER-LOCKED WITH		LOCATION		
	H.P.	K.W.	PHASE	FURN. BY	INST. BY	CONTROL	FURN. BY	INST. BY	MOTOR NO.	FROM			
EXHAUST FAN EF-6	1/6	1	120	E	E	RELAY	M	M	RTU-2	L1-F	4	ROOF	RH. 124
EXHAUST FAN EF-7	73	120	1	E	E	RELAY	M	M	RTU-2	L1-B	4	ROOF	RH. 119
EXHAUST FAN EF-8	1/6	1	120	E	E	RELAY	M	M	RTU-2	L1-B	4	ROOF	RH. 93
EXHAUST FAN EF-9	1/6	1	120	E	E	RELAY	M	M	RTU-3	L1-B	5	ROOF	RH. 21
EXHAUST FAN EF-10	1/6	1	120	E	E	RELAY	M	M	RTU-6	L1-F	7	ROOF	AT DISINFECTANT ROOM
EXHAUST FAN EF-11	1/6	1	120	E	E	RELAY	M	M	RTU-6	L1-B	6	ROOF	RH. 25
EXHAUST FAN EF-12	1/6	1	120	E	E	RELAY	M	M	RTU-6	L1-A	6	ROOF	RH. 57
EXHAUST FAN EF-13	1-1/2	480	3	E	E	RELAY	M	M	MUA-1	KP-2	2	ROOF	RH. 134
EXHAUST FAN EF-14	1/6	1	120	E	E	RELAY	M	M	RTU-4	L1-A	5	ROOF	RH. 59
EXHAUST FAN EF-15	1/6	1	120	E	E	RELAY	M	M	RTU-5	L1-A	7	ROOF	RH. 169
EXHAUST FAN EF-16	1/6	1	120	E	E	RELAY	M	M	RTU-1	L1-E	3	ROOF	RH. 100
UNIT HEATER UH-1	1/100	3.0	3	480	-	-	E	E	-	-	-	ROOF	RH. 150
UNIT HEATER UH-2	1/30	7.5	3	480	-	-	E	E	-	-	-	ROOF	RH. 155

MOTOR SCHEDULE													
DESIGNATION	MOTOR DATA			STARTER			DISCONNECT SWITCH		INTER-LOCKED WITH		LOCATION		
	H.P.	K.W.	PHASE	FURN. BY	INST. BY	CONTROL	FURN. BY	INST. BY	MOTOR NO.	FROM			
UNIT HEATER UH-3	1/30	7.5	3	480	-	-	E	E	-	-	-	ROOF	RH. 155
UNIT HEATER UH-4	3/30	7.5	3	480	-	-	E	E	-	-	-	ROOF	RH. 151
UNIT HEATER UH-5	1/100	5.0	3	480	-	-	E	E	-	-	-	ROOF	RH. 151
UNIT HEATER UH-6	1/100	5.0	3	480	-	-	E	E	-	-	-	ROOF	RH. 151
UNIT HEATER UH-7	1/100	5.0	3	480	-	-	E	E	-	-	-	ROOF	RH. 151
UNIT HEATER UH-8	1/100	5.0	3	480	-	-	E	E	-	-	-	ROOF	RH. 151
UNIT HEATER UH-9	1/100	5.0	3	480	-	-	E	E	-	-	-	ROOF	RH. 151
UNIT HEATER UH-10	1/20	15.0	3	480	-	-	E	E	-	-	-	ROOF	RH. 133
UNIT HEATER UH-11	1/100	5.0	3	480	-	-	E	E	-	-	-	ROOF	RH. 134
OVERHEAD DOOR OD-1	1	120	-	-	-	-	E	E	-	-	-	ROOF	AT MOTOR
TEMP. AIR COMP. TAC-1	2-5	3	480	H	H	RELAY	E	E	-	-	-	ROOF	RH. 134, RH. 134
BOOSTER PUMP BP-1	10	3	480	E	E	RELAY	E	E	-	-	-	ROOF	RH. 29, RH. 29
PUMP P-1	1/12	1	120	-	-	-	E	E	-	-	-	ROOF	RH. 134

MOTOR SCHEDULE													
DESIGNATION	MOTOR DATA			STARTER			DISCONNECT SWITCH		INTER-LOCKED WITH		LOCATION		
	H.P.	K.W.	PHASE	FURN. BY	INST. BY	CONTROL	FURN. BY	INST. BY	MOTOR NO.	FROM			
PUMP P-2	1/12	1	120	-	-	-	E	E	-	-	-	ROOF	RH. 134
PUMP P-2	2-3	3	480	H	H	RELAY	M	M	-	-	-	ROOF	RH. 134, AT MOTOR
EXHAUST FAN EF-18	1/6	1	120	-	-	-	M	M	-	-	-	ROOF	RH. 119
EXHAUST FAN EF-19	1/6	1	120	-	-	-	M	M	-	-	-	ROOF	RH. 93
EXHAUST FAN EF-20	1/6	1	120	-	-	-	M	M	-	-	-	ROOF	RH. 93
EXHAUST FAN EF-21	1/6	1	120	-	-	-	M	M	-	-	-	ROOF	RH. 134
DOCK LIFT DL-1	5	3	208	H	H	RELAY	E	E	-	-	-	AT FAULT	RH. 154
EXHAUST FAN EF-17	1/6	1	120	-	-	-	M	M	-	-	-	ROOF	RH. 133, RH. 133
EXHAUST FAN EF-18	1/6	1	120	-	-	-	M	M	-	-	-	ROOF	RH. 133, RH. 134

FRANKLIN COUNTY ADULT JAIL
UNION, MISSOURI

PEARCE CORPORATION
One Mercantile Center
Saint Louis, Missouri 63101

Siebold, Sydow & Efranbaum Inc.
Structural Engineers
Colton/Lester/Niederhorn Associates, Inc.
Mechanical & Electrical Engineers
Walker, McLaughlin, Foltz, Lyster, P.S.
Security Consultants

FRANK R. NIEDERHORN
REGISTERED PROFESSIONAL ENGINEER
NO. 1000

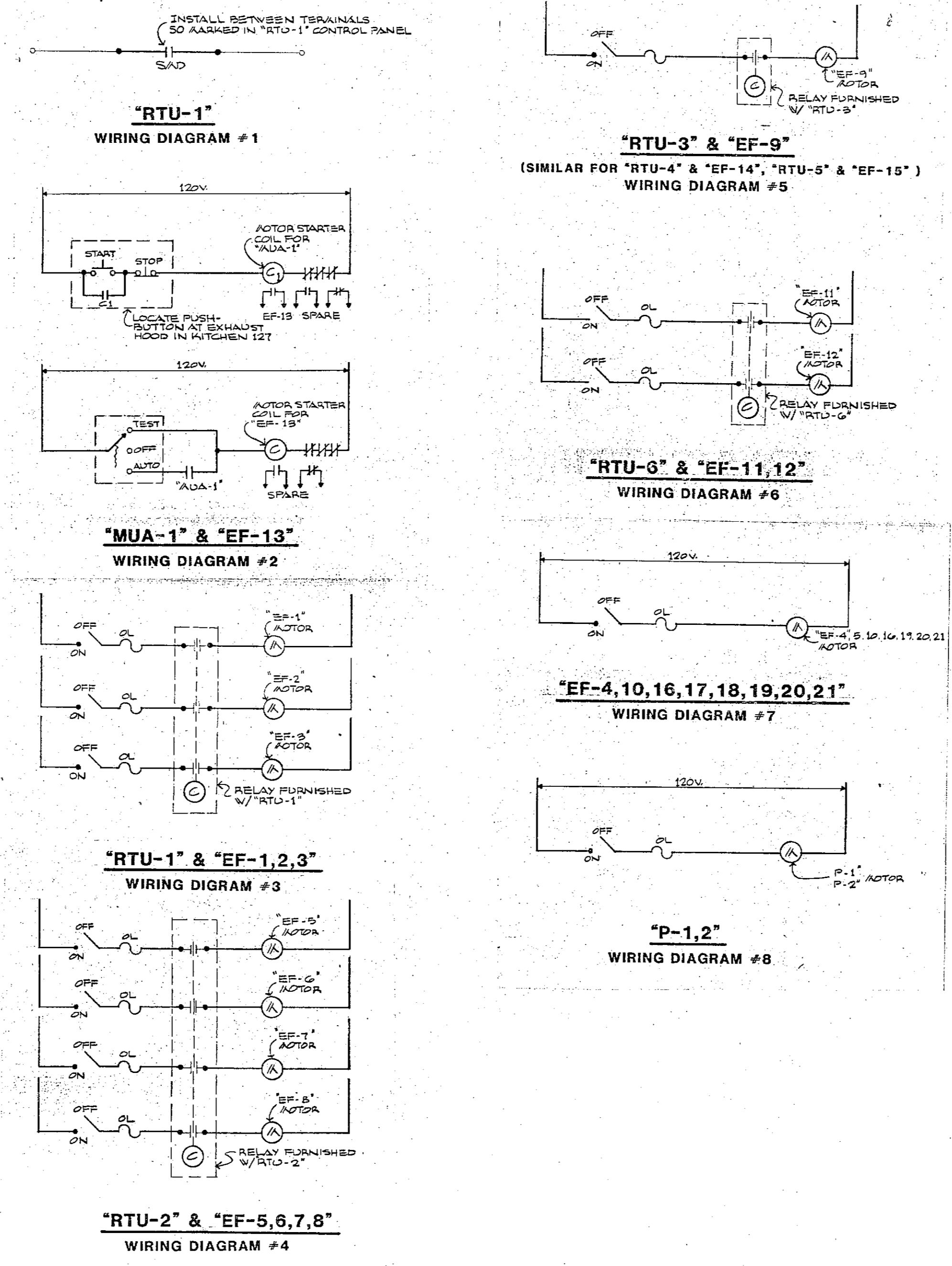
E-9

DATE 3-15-85 DRAWING NO.

△ SPECIAL PURPOSE OUTLET SCHEDULE											
NO.	LOCATION	SERVICE	LOAD CHARACTERISTICS			SOURCE OF POWER			MTG. HTG.	REMARKS	
			HP	AMPS	KW	VOLTAGE	PANEL	FEEDER			PROTN
1	SEE DRAWINGS	ELECTRIC BASEBOARD			.5	277	SEE DWGS.	2*12	20A.1P	*	SOLID CONNECTION
2	SEE DRAWINGS	ELECTRIC BASEBOARD			.75	277	SEE DWGS.		20A.1P	*	
3	SEE DRAWINGS	ELECTRIC BASEBOARD			1.0	277	SEE DWGS.		20A.1P	*	
4	SEE DRAWINGS	ELECTRIC BASEBOARD			1.5	277	SEE DWGS.		20A.1P	*	
5	VEST. 167	ENTRY HEATER EH-1			4.0	277	L2-E		20A.3P	*	
6	VEST. 1	ENTRY HEATER EH-2			7.5	480.3φ	L2-D		20A.3P	—	LOCATED ABOVE CEILING
7	RA. 131	WASHER	1 1/2			480.3φ	D-2		30/4/3	*	SOLID CONNECTION
8	RA. 131	DRYER			40.0	480.3φ	D-2	3*4 1"	100/70/3	*	SOLID CONNECTION
9	RA. 134	WATER HEATER			210.0	480.3φ	MAIN SVCD.	3*800	400/350/3	*	
10	RA. 172+175	ELECT. HAND DRYER			2.9	208.1φ	L1-E	2*12	20A.2P	*1	WORLD *A3 *B
11	RA. 171+174	ELECT. HAIR DRYER			2.3	208.1φ	L1-E		20A.2P	*2	WORLD *B2 *B
12	RA. 160	NEEA *G-15A RECEPT.				208.1φ	L1-E		20A.2P	1'-4"	
13	RA. 161	NEEA *G-15A RECEPT.				208.1φ	L1-E		20A.2P	1'-4"	
14	RA. 174	REHEAT COIL TRH-1			3.7	480.3φ	L2-E		20A.2P	—	COIL ABOVE CEILING
15	RA. 171	REHEAT COIL TRH-2			2.5		L2-E		20A.2P	—	
16	RA. 163	REHEAT COIL TRH-4			1.3		L2-E		20A.2P	—	
17	RA. 206	REHEAT COIL TRH-3			4.0		L2-E		20A.3P	—	
18	RA. 161	REHEAT COIL TRH-5			2.4		L2-E	3*10	30A.3P	—	
19	RA. 159	REHEAT COIL TRH-6			6.3		L2-E	3*10	30A.3P	—	
20	RA. 158	REHEAT COIL TRH-8			2.4		L2-E	3*10	30A.3P	—	
21	RA. 207	REHEAT COIL TRH-7			1.3		L2-E	3*10	30A.3P	—	
22	RA. 146	REHEAT COIL TRH-9			4.6		L2-B	3*12	20A.3P	—	
23	RA. 146	REHEAT COIL TRH-10			3.0					—	
24	RA. 146	REHEAT COIL TRH-11			2.8					—	
25	RA. 146	REHEAT COIL TRH-12			1.2					—	
26	CORR. 120	REHEAT COIL TRH-13			2.9					—	
27	CORR. 120	REHEAT COIL TRH-15			2.6					—	
28	CORR. 120	REHEAT COIL TRH-20			5.2					—	
29	CORR. 120	REHEAT COIL TRH-16			1.4					—	
30	RA. 153	REHEAT COIL TRH-14			1.3					—	
31	RA. 153	REHEAT COIL TRH-17			2.0					—	
32	RA. 153	REHEAT COIL TRH-18			3.7					—	
33	RA. 114	REHEAT COIL TRH-19			3.4					—	
34	PASS. 85	REHEAT COIL TRH-21			4.0					—	
35	RA. 87	REHEAT COIL TRH-22			1.2					—	
36	CORR. 126	REHEAT COIL TRH-23			1.7					—	
37	CORR. 122	REHEAT COIL TRH-24			3.6					—	
38	CORR. 126	REHEAT COIL TRH-25			3.8					—	
39	PASS. 85	REHEAT COIL TRH-26			6.3					—	
40	RA. 84	REHEAT COIL TRH-27			13.2			3*8	40A.3P	—	
41	PASS. 89	REHEAT COIL TRH-28			3.8			3*10	30A.2P	—	
42	RA. 99	REHEAT COIL TRH-29			3.3			3*10	30A.3P	—	
43	RA. 99	REHEAT COIL TRH-30			9.2			3*10	30A.3P	—	
44	RA. 99	REHEAT COIL TRH-31			6.7			3*8	40A.3P	—	
45	RA. 97	REHEAT COIL TRH-32			14.7			3*8	40A.3P	—	
46	RA. 25	REHEAT COIL TRH-33			12.7		DE-3	3*8	60/50/3	—	
47	RA. 20	REHEAT COIL TRH-34			10.7		DE-3	3*8	60/50/3	—	
48	PASS. 18	REHEAT COIL TRH-35			11.0		DE-3	3*8	60/40/3	—	
49	RA. 102	REHEAT COIL TRH-36			11.2		L2-B	3*10	30A.3P	—	
50	RA. 9	REHEAT COIL TRH-37			6.0		L2-B	3*10	30A.3P	—	
51	RA. 15	REHEAT COIL TRH-38			5.7		DE-3	3*10	30/30/3	—	
52	RA. 13	REHEAT COIL TRH-39			2.3		DE-3	3*10	30/30/3	—	
53	RA. 13	REHEAT COIL TRH-40			12.0		DE-3	3*8	60/40/3	—	
54	RA. 13	REHEAT COIL TRH-41			3.8		DE-3	3*10	30/30/3	—	
55	RA. 31	REHEAT COIL TRH-42			6.9		L2-B	3*6 1" C.	70A.3P	—	
56	RA. 31	REHEAT COIL TRH-43			10.9		L2-B	3*6 1" C.	70A.3P	—	
57	RA. 31	REHEAT COIL TRH-44			4.7		L2-B	3*6 1" C.	70A.3P	—	
58	RA. 31	REHEAT COIL TRH-45			11.2		L2-B	3*6 1" C.	70A.3P	—	
59	CORR. 77	REHEAT COIL TRH-46			2.2		L2-B	3*8	40A.3P	—	
60	CORR. 77	REHEAT COIL TRH-47			3.7		L2-B	3*8	40A.3P	—	
61	CORR. 30	REHEAT COIL TRH-48			1.3		D-3	3*8	60/40/3	—	
62	CORR. 44	REHEAT COIL TRH-49			9.1			3*8	60/40/3	—	
63	CORR. 44	REHEAT COIL TRH-50			5.8			3*8	60/40/3	—	
64	RA. 15	REHEAT COIL TRH-51			5.3			3*8	60/40/3	—	
65	CORR. 44	REHEAT COIL TRH-52			3.0			3*10	30/30/3	—	
66	RA. 56	REHEAT COIL TRH-53			3.5			3*10	30/30/3	—	
67	CORR. 30	REHEAT COIL TRH-54			7.3			3*10	30/30/3	—	
68	RA. 36	REHEAT COIL TRH-55			1.3			3*6 1" C.	60/60/3	—	
69	RA. 36	REHEAT COIL TRH-56			9.7			3*6 1" C.	60/60/3	—	
70	RA. 36	REHEAT COIL TRH-57			9.8			3*6 1" C.	60/60/3	—	
71	RA. 36	REHEAT COIL TRH-58			9.6			3*6 1" C.	60/60/3	—	

△ SPECIAL PURPOSE OUTLET SCHEDULE (CONT'D)											
NO.	LOCATION	SERVICE	LOAD CHARACTERISTICS			SOURCE OF POWER			MTG. HTG.	REMARKS	
			HP	AMPS	KW	VOLTAGE	PANEL	FEEDER			PROTN
72	RA. 49	REHEAT COIL TRH-59			11.1	480.3φ	D-3	3*6 1" C.	60/60/3		COIL ABOVE CEILING
73	RA. 43	REHEAT COIL TRH-60			9.9						
74	RA. 59	REHEAT COIL TRH-61			10.0						
75	RA. 59	REHEAT COIL TRH-62			10.0						
76	RA. 59	REHEAT COIL TRH-63			12.0						
77	RA. 76	REHEAT COIL TRH-64			12.0						
78	RA. 76	REHEAT COIL TRH-65			11.4						
79	RA. 76	REHEAT COIL TRH-66			12.0						
80	RA. 76	REHEAT COIL TRH-67			12.0						
81	RA. 76	REHEAT COIL TRH-68			1.9						
82	RA. 94	DRYER				120/208.1φ	L1-B	3*10	30A.2P	2'-0"	NEEA 10-30R
83	RA. 90	ENTRY HEATER E-4			2.0	277	L2-B	2*12	20A.2P	*	SOLID CONNECTION
84	RA. 148	ENTRY HEATER E-3			4.0	277	L2-E	2*12	20A.2P	*	SOLID CONNECTION
85	RA. 19	WATER HEATER			12.0	480.3φ	DE-3	3*12	30A.3P	*	SOLID CONNECTION
86	RA. 202	POWER POLE #4			120		L1-D	2*12	20A.1P	—	MAKE SOLID CONNECTION ABOVE CEILING
87	RA. 206	POWER POLE #4			120		L1-E	2*12	20A.1P	—	MAKE SOLID CONNECTION ABOVE CEILING
88	SEE DRAWINGS	SMOKE DAMPER									MAKE SOLID CONNECTION ABOVE CEILING
89	SEE DRAWINGS AND INSTALL BY WIRE	WAV BOX FURNISHED AND INSTALLED BY WIRE						2*14			MAKE CONNECTIONS BETWEEN WAV BOX TO RELAYS IN ELECT. BASEBOARD
90	SEE DRAWINGS	SINGLE RECEPT WITH COVER LS-205			120			2*12	20A.1P	1'-0" BELOW SLIDE	
91	RA. 161	MINI PROCESSOR			120		L1-E(L)	2*12 1" C. SIND.	30A.1P	*	SOLID CONNECTION
92	RA. 161	PROCESSOR			120		L1-E(L)	2*12 1" C. SIND.	30A.1P	*	SOLID CONNECTION
93	RA. 83	STOVE TOP			120/208.1φ		L1-B	3*12	20A.2P	*	SOLID CONNECTION
94	RA. 191	HUBBELL FLOOR BOX WITH 3-2725 COVER								FLOOR	FOR FUTURE SLIDE PROJECTOR CONTROL

- * CHECK SHOP DRAWINGS FOR REQUIREMENTS.
- *1 FROM BOTTOM OF UNIT TO FINISHED FLOOR: MEN 46" - WOMEN 44"
- *2 FROM BOTTOM OF UNIT TO FINISHED FLOOR: MEN 62" - WOMEN 59"
- *3 THE ELECTRICAL CONTRACTOR SHALL FURNISH & INSTALL DRYERS, COLOR AS DIRECTED BY ARCHITECT.
- *4 FURNISH AND INSTALL "TELE-POWER" POLE AS MANUFACTURED BY WIREWORLD, CAT. # 307P-3. PROVIDE CONNECTIONS FROM POLES TO RECEPTACLES AND PHONE OUTLETS ON PARTITIONS, TELEPHONE OUTLETS AND RECEPTACLES SHALL BE FLUSH MOUNTED, CEILING HEIGHT 8'-0".



FRANKLIN COUNTY ADULT JAIL
UNION, MISSOURI.

PEARCE CORPORATION
One Mercantile Center
Saint Louis, Missouri 63101

Siebold, Sydow & Eitanbaum Inc.
Structural Engineers
Colton/Lester/Niederhorn Associates, Inc.
Mechanical & Electrical Engineers
Walker McGough, Fottz Lyster, P.S.
Security Consultants

FRANK R. NIEDERHORN
NUMBER E-6401
REGISTERED PROFESSIONAL ENGINEER

DRAWN BY: E.N.
CHECKED BY: E.N.
REVISED:
PROJ. NO. 84-07.1.00
DATE: 8-15-85
DRAWING NO. E-10

PANEL "L1-A"		LOCATION CONTROL #15	
VOLTAGE 120/208V, 3Ø W		TYPE SURFACE	
PHASE A		PHASE B	
20/1 1	1700 LIGHTS	20/1 3	1000 RECPTS.
20/1 2	1000 RECPTS.	20/1 4	1000 RECPTS.
20/1 7	800 RECPTS.	20/1 9	800 RECPTS.
20/1 8	1200 TV RECPTS.	20/1 10	566 CP-14
20/1 13	600 RECPTS.	20/1 15	566 CP-12
20/1 14	300 LIGHTS	20/1 16	600 LIGHTS
20/1 19	1800 TV	20/1 21	SPARE
20/1 20	1200 LIGHTS	20/1 22	SPARE
20/1 25	SPARE	20/1 27	SPARE
20/1 28	SPARE	20/1 29	SPARE
20/1 31	SPARE	20/1 33	SPARE
20/1 32	SPARE	20/1 34	SPARE
20/1 37	SPACE ONLY	20/1 39	SPACE ONLY
20/1 38	SPACE ONLY	20/1 40	SPACE ONLY

PANEL "L2-A"		LOCATION CONTROL #15	
VOLTAGE 277/480V, 3Ø W		TYPE SURFACE	
PHASE A		PHASE B	
20/1 1	4200 LIGHTS	20/1 3	4300 LIGHTS
20/1 2	1600 LIGHTS	20/1 4	3200 LIGHTS
20/1 7	2400 LIGHTS	20/1 9	SPARE
20/1 8	SPARE	20/1 10	SPARE
20/1 13	SPACE ONLY	20/1 15	SPACE ONLY
20/1 14	SPACE ONLY	20/1 16	SPACE ONLY

PANEL "L3-A"		LOCATION ECT. RM. #119	
VOLTAGE 277/480V, 3Ø W		TYPE SURFACE	
PHASE A		PHASE B	
20/1 1	1500 LIGHTS	20/1 3	2800 LIGHTS
20/1 2	2000 CH-4	20/1 4	2200 LIGHTS
20/1 7	3866 REHEAT COILS	20/1 9	3866 REHEAT COILS
20/1 8	3833 REHEAT COILS	20/1 10	3833 REHEAT COILS
20/1 13	3033 REHEAT COILS	20/1 15	3033 REHEAT COILS
20/1 14	3833 REHEAT COILS	20/1 16	3833 REHEAT COILS
20/1 19	3466 REHEAT COILS	20/1 21	3466 REHEAT COILS
20/1 20	6367 REHEAT COILS	20/1 22	6367 REHEAT COILS
20/1 25	5433 REHEAT COILS	20/1 27	5433 REHEAT COILS
20/1 26	7133 REHEAT COILS	20/1 28	7133 REHEAT COILS
20/1 31	5633 REHEAT COILS	20/1 33	5633 REHEAT COILS
20/1 32	11,136 REHEAT COILS	20/1 34	11,136 REHEAT COILS
20/1 37	800 LIGHTS	20/1 39	SPARE
20/1 38	1667 REHEAT COILS	20/1 40	SPARE

PANEL "L4-A"		LOCATION CONTROL #15	
VOLTAGE 120/208V, 3Ø W		TYPE SURFACE	
PHASE A		PHASE B	
20/1 1	1350 LIGHTS	20/1 3	PROGRAM CONTROLLER
20/1 2	2000 TV CAMERA	20/1 4	COA-TV
20/1 7	1200 POWER CABINET	20/1 9	1200 POWER CABINET
20/1 8	1000 CP-12	20/1 10	CP-5
20/1 13	1200 POWER CABINET	20/1 17	CP-7
20/1 14	1000 CP-8	20/1 16	CP-9
20/1 19	1250 GATE MOTOR	20/1 21	SPARE
20/1 20	1000 PANEL "M"	20/1 22	PANEL "M"
20/1 25	200 RECPTS.	20/1 27	CP-10
20/1 26	500 CP-8	20/1 28	CP-C
20/1 31	1000 SMOKE SENSORS	20/1 33	1000 SMOKE SENSORS
20/1 32	600 RECPTS.	20/1 34	600 RECPTS.
20/1 37	SPACE ONLY	20/1 39	SPACE ONLY
20/1 38	SPACE ONLY	20/1 40	SPACE ONLY

PANEL "L5-A"		LOCATION CONTROL #15	
VOLTAGE 277/480V, 3Ø W		TYPE SURFACE	
PHASE A		PHASE B	
20/1 1	2300 LIGHTS	20/1 3	2700 LIGHTS
20/1 2	2400 LIGHTS	20/1 4	SPARE
20/1 7	2300 PARKING LOT LIGHTS	20/1 9	2000 PARKING LOT LIGHTS
20/1 8	SPARE	20/1 10	SPARE
20/1 13	800 OUTSIDE LIGHTS	20/1 15	SPARE
20/1 14	SPARE	20/1 16	SPARE

PANEL "L1-B"		LOCATION ECT. RM. #119	
VOLTAGE 120/208V, 3Ø W		TYPE SURFACE	
PHASE A		PHASE B	
20/1 1	1000 RECPTS.	20/1 3	1200 RECPTS.
20/1 2	800 RECPTS.	20/1 4	1000 RECPTS.
20/1 7	800 RECPTS.	20/1 9	600 RECPTS.
20/1 8	1012 EF-9	20/1 10	600 EF-7
20/1 13	566 EF-8	20/1 15	800 REPT. AT 20/1-2
20/1 14	2000 DRYER	20/1 16	400 RECPTS.
20/1 19	600 RECPTS.	20/1 21	1012 EF-20
20/1 20	1400 RECPTS.	20/1 22	800 REFRIG.
20/1 25	SPARE	20/1 27	SPARE
20/1 26	1219 TABLE TOP BLENDER	20/1 28	1219 TABLE TOP BLENDER
20/1 31	SPACE ONLY	20/1 33	SPACE ONLY
20/1 32	SPACE ONLY	20/1 34	SPACE ONLY
20/1 37	SPACE ONLY	20/1 39	SPACE ONLY
20/1 38	SPACE ONLY	20/1 40	SPACE ONLY

PANEL "L1-C"		LOCATION ECT. RM. #119	
VOLTAGE 120/208V, 3Ø W		TYPE SURFACE	
PHASE A		PHASE B	
20/1 1	400 RECPTS.	20/1 3	200 RECPTS.
20/1 2	1000 TV CAMERA	20/1 4	1000 TV CAMERA
20/1 7	400 TV CAMERA	20/1 9	1000 TV CAMERA
20/1 8	400 RECPTS.	20/1 10	CP-3
20/1 13	1000 CP-1	20/1 15	500 MOTOR VALVES
20/1 14	500 CP-11	20/1 16	500 CP-16
20/1 19	SPARE	20/1 21	SPARE
20/1 20	SPARE	20/1 22	SPARE

PANEL "L1-E"		LOCATION ECT. RM. #119	
VOLTAGE 277/480V, 3Ø W		TYPE SURFACE	
PHASE A		PHASE B	
20/1 1	1600 LIGHTS	20/1 3	1800 LIGHTS
20/1 2	1200 LIGHTS	20/1 4	800 LIGHTS
20/1 7	SPARE	20/1 9	SPARE
20/1 8	SPACE ONLY	20/1 10	SPACE ONLY
20/1 13	SPACE ONLY	20/1 15	SPACE ONLY
20/1 14	SPACE ONLY	20/1 16	SPACE ONLY

PANEL "L1-E"		LOCATION ELECTRICAL #15	
VOLTAGE 120/208V, 3Ø W		TYPE SURFACE	
PHASE A		PHASE B	
20/1 1	600 RECPTS.	20/1 3	800 RECPTS.
20/1 2	400 RECPTS.	20/1 4	400 RECPTS.
20/1 7	800 RECPTS.	20/1 9	800 RECPTS.
20/1 8	800 RECPTS.	20/1 10	800 RECPTS.
20/1 13	1000 TV CAMERA	20/1 15	1000 TV CAMERA
20/1 14	500 MOTOR VALVE	20/1 16	ZDC RECPT.
20/1 19	1000 SMOKE SENSORS	20/1 21	SPARE
20/1 20	SPARE	20/1 22	SPARE
20/1 25	SPACE ONLY	20/1 27	SPACE ONLY
20/1 26	SPACE ONLY	20/1 28	SPACE ONLY

PANEL "L1-D"		LOCATION ROOM #197	
VOLTAGE 120/208V, 3Ø W		TYPE SURFACE	
PHASE A		PHASE B	
20/1 1	1200 RECPTS.	20/1 3	600 RECPTS.
20/1 2	1200 RECPTS.	20/1 4	800 WATER COOLER
20/1 7	1000 RECPTS.	20/1 9	1200 RECPTS.
20/1 8	100 EF-3	20/1 10	800 REPT. AT 20/1-1
20/1 13	800 RECPTS.	20/1 15	800 RECPTS.
20/1 14	600 LIGHTS	20/1 16	SPARE
20/1 19	SPARE	20/1 21	SPARE
20/1 20	SPARE	20/1 22	SPARE
20/1 25	SPACE ONLY	20/1 27	SPACE ONLY
20/1 26	SPACE ONLY	20/1 28	SPACE ONLY
20/1 31	SPACE ONLY	20/1 33	SPACE ONLY

PANEL "L2-D"		LOCATION RM. #197	
VOLTAGE 277/480V, 3Ø W		TYPE SURFACE	
PHASE A		PHASE B	
20/1 1	4000 LIGHTS	20/1 3	4000 LIGHTS
20/1 2	SPARE	20/1 4	SPARE
20/1 7	4000 BASEBOARD	20/1 9	SPARE
20/1 8	2500 ENTRY HEATER	20/1 10	2500 ENTRY HEATER
20/1 13	1667 UNIT HEATER	20/1 15	1667 UNIT HEATER
20/1 14	SPARE	20/1 16	SPARE
20/1 19	SPARE	20/1 21	SPARE
20/1 20	SPARE	20/1 22	SPARE

PANEL "L2-E"		LOCATION RM. #197	
VOLTAGE 277/480V, 3Ø W		TYPE SURFACE	
PHASE A		PHASE B	
20/1 1	3600 LIGHTS	20/1 3	600 EXITS
20/1 2	SPARE	20/1 4	SPARE
20/1 7	SPARE	20/1 9	SPARE
20/1 8	SPACE ONLY	20/1 10	SPACE ONLY
20/1 13	SPACE ONLY	20/1 15	SPACE ONLY
20/1 14	SPACE ONLY	20/1 16	SPACE ONLY

PANEL "L1-E"		LOCATION CORR. 159	
VOLTAGE 120/208V, 3Ø W		TYPE SURFACE	
PHASE A		PHASE B	
20/1 1	400 RECPTS.	20/1 3	400 RECPTS.
20/1 2	660 RECPT	20/1 4	1600 TV CAMERA
20/1 7	1000 LIGHTS	20/1 9	500 AUTO DETECTOR
20/1 8	SPARE	20/1 10	SPARE
20/1 13	SPARE	20/1 15	SPARE
20/1 14	SPACE ONLY	20/1 16	SPACE ONLY
20/1 19	SPACE ONLY	20/1 21	SPACE ONLY
20/1 20	SPACE ONLY	20/1 22	SPACE ONLY

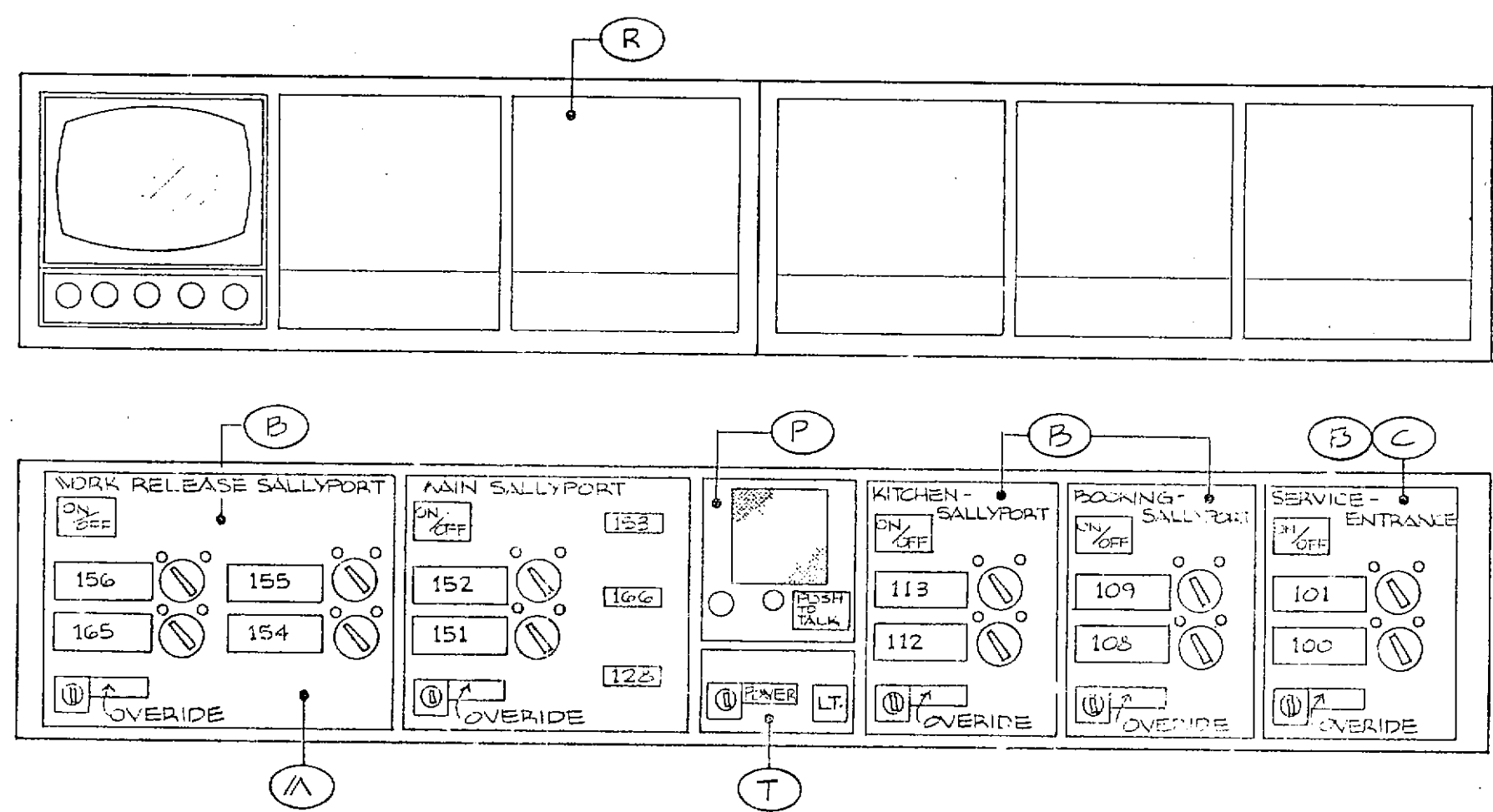
PANEL "L1-E"		LOCATION CORR. 159	
VOLTAGE 120/208V, 3Ø W		TYPE SURFACE	
PHASE A		PHASE B	
20/1 1	1000 RECPTS.	20/1 3	1000 RECPTS.
20/1 2	800 RECPTS.	20/1 4	1000 RECPTS.
20/1 7	600 RECPTS.	20/1 9	1000 RECPTS.
20/1 8	1012 RECPTS.	20/1 10	400 RECPTS.
20/1 13	600 UPPER COUPLER SPRING	20/1 15	800 MULTIOUSET RACEWAY
20/1 14	800 MULTIOUSET RACEWAY	20/1 16	800 MULTIOUSET RACEWAY
20/1 19	1000 RECPT.	20/1 21	1000 RECPT.
20/1 20	1150 DRYER	20/1 22	1150 DRYER
20/1 25	1000 RECPT.	20/1 27	1150 DRYER
20/1 26	1150 DRYER	20/1 28	1150 DRYER
20/1 31	800 RECPTS.	20/1 33	SPARE
20/1 32	SPACE ONLY	20/1 34	SPACE ONLY

PANEL "L1-E"		LOCATION CORR. 159	
VOLTAGE 120/208V, 3Ø W		TYPE SURFACE	
PHASE A		PHASE B	
20/1 1	400 RECPTS.	20/1 3	200 RECPTS.
20/1 2	1000 TV CAMERA	20/1 4	1000 TV CAMERA
20/1 7	400 TV CAMERA	20/1 9	1000 TV CAMERA
20/1 8	400 RECPTS.	20/1 10	CP-3
20/1 13	1000 CP-1	20/1 15	500 MOTOR VALVES
20/1 14	500 CP-11	20/1 16	500 CP-16
20/1 19	SPARE	20/1 21	SPARE
20/1 20	SPARE	20/1 22	SPARE

PANEL "L2-E"		LOCATION CORR. 159	
VOLTAGE 277/480V, 3Ø W		TYPE SURFACE	
PHASE A		PHASE B	
20/1 1	2000 TV CAMERA	20/1 3	2000 TV CAMERA
20/1 2	2000 TV CAMERA	20/1 4	2000 TV CAMERA
20/1 7	2000 TV CAMERA	20/1 9	2000 TV CAMERA
20/1 8	4000 EP-1	20/1 10	4000 EP-1
20/1 13	2000 BASEBOARD	20/1 15	2000 BASEBOARD
20/1 14	1000 CH-3	20/1 16	SPARE
20/1 19	1667 U-6	20/1 21	1667 U-6
20/1 20	1000 U-1	20/1 22	1000 U-1
20/1 25	2500 U-2	20/1 27	2500 U-2
20/1 26	2500 U-3	20/1 28	2500 U-3
20/1 31	2500 U-4	20/1 33	2500 U-4
20/1 32	1667 U-5	20/1 34	1667 U-5
20/1 37	3833 REHEAT COILS	20/1 39	3833 REHEAT COILS
20/1 38	4133 REHEAT COILS	20/1 40	4133 REHEAT COILS

PANEL "L1-F"		LOCATION ELECTRICAL #155	
VOLTAGE 120/208V, 3Ø W		TYPE SURFACE	
PHASE A		PHASE B	
20/1 1	400 RECPTS.	20/1 3	600 RECPTS.
20/1 2	1125 OD-1	20/1 4	1012 E.F. #6 & 10
20/1 7	800 RECPTS.	20/1 9	400 RECPTS.
20/1 8	1000 WATER JACKET REHEAT	20/1 10	800 REPT. AT 20/1-7
20/1 13	1500 WATER JACKET REHEAT	20/1 15	600 PUMPS P-1 & P-2
20/1 14	1015 DL-1	20/1 16	1015 DL-1
20/1 19	SPARE	20/1 21	SPARE
20/1 20	SPARE	20/1 22	SPARE
20/1 25	SPACE ONLY	20/1 27	SPACE ONLY
20/1 26	SPACE ONLY	20/1 28	SPACE ONLY
20/1 31	SPACE ONLY	20/1 33	SPACE ONLY
20/1 32	SPACE ONLY	20/1 34	SPACE ONLY

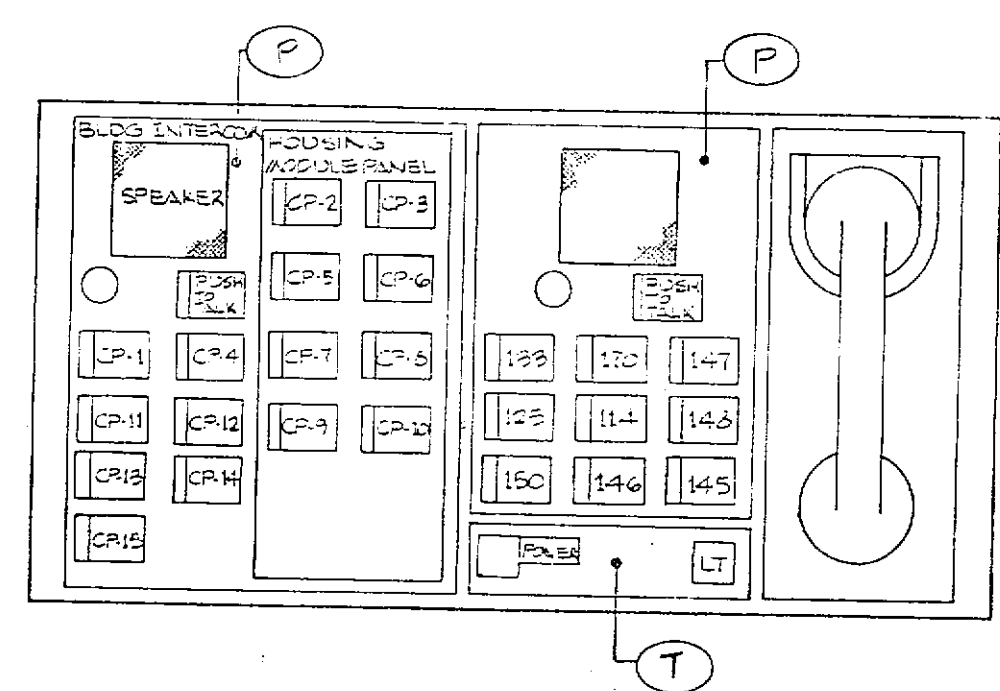
PANEL "L2-F"		LOCATION CORR. 159	
VOLTAGE 277/480V, 3Ø W		TYPE SURFACE	
PHASE A		PHASE B	
20/1 1	4000 LIGHTS	20/1 3	4000 LIGHTS
2			



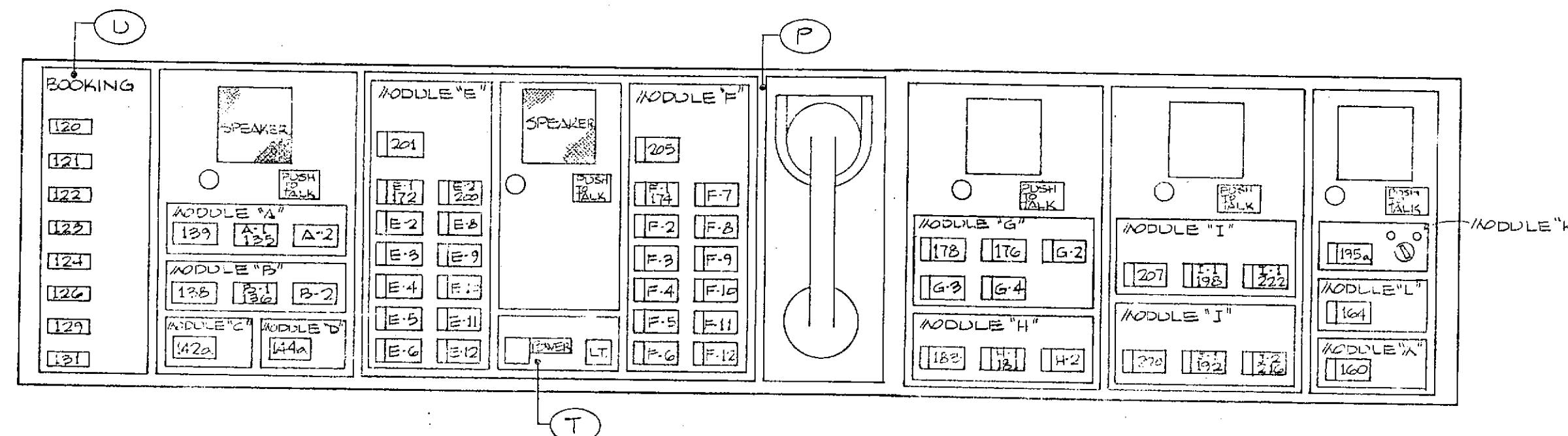
PANEL "CCR-A" "CCR"
(BUILT INTO CONSOLE) CENTRAL CONTROL ROOM

COMMUNICATIONS: INTERCOX
PERIMETER DOORS, LOCAL CELL

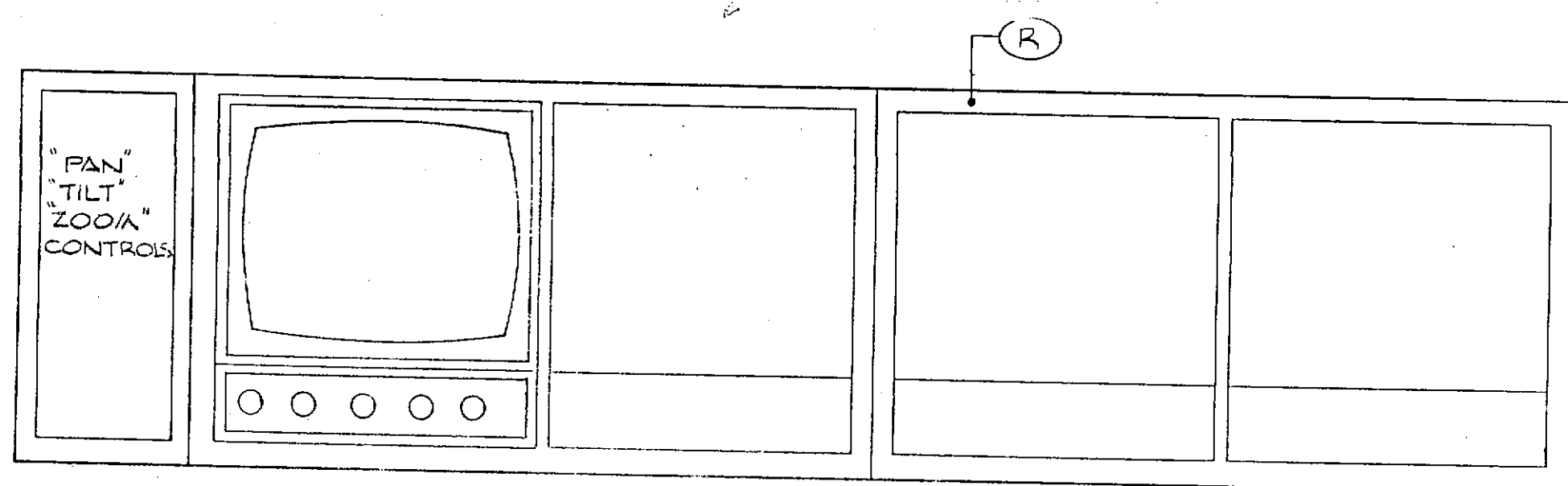
CONTROL: CONTROL PANEL POWER, DAYROOM ENTRY DOORS.



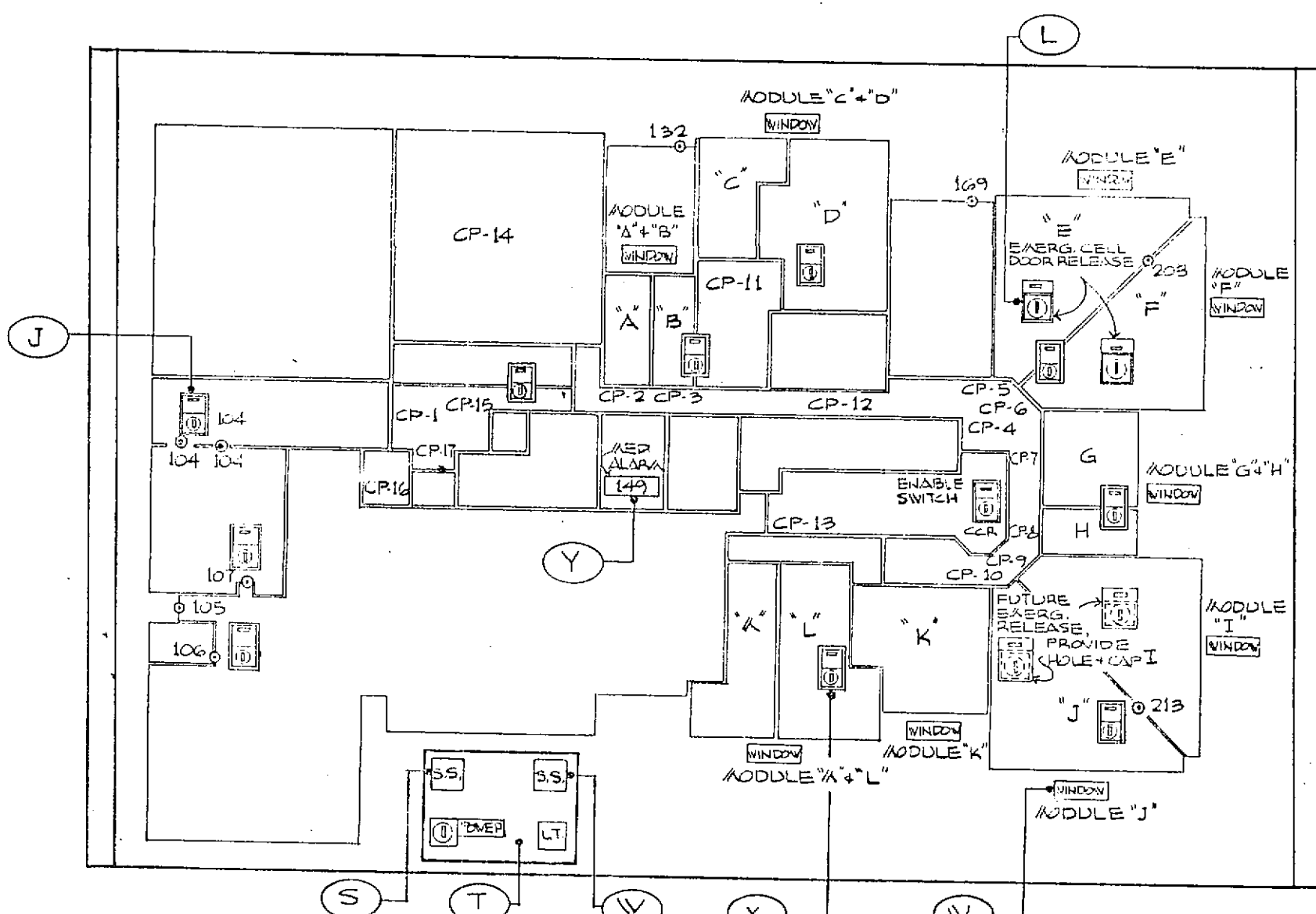
PANEL "CCR-B" "CCR"
(BUILT INTO CONSOLE) CENTRAL CONTROL ROOM



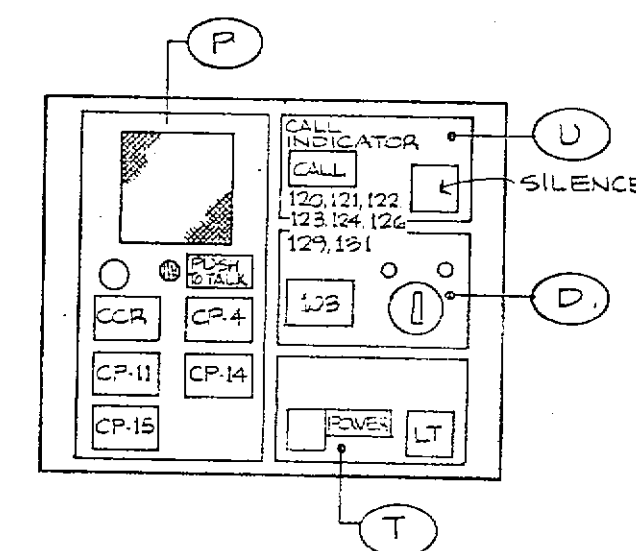
PANEL "CCR-C" "CCR"
(BUILT INTO CONSOLE) CENTRAL CONTROL ROOM



PANEL "CCR-D" "CCR"
(BUILT INTO CONSOLE) CENTRAL CONTROL ROOM



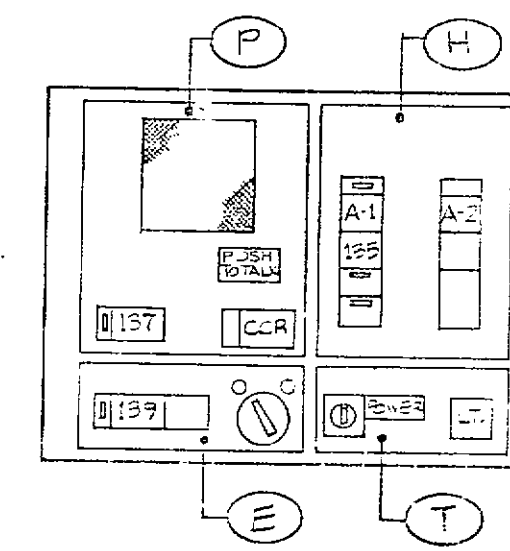
PANEL "CCR-E" "CCR"
(WALL MOUNTED) CENTRAL CONTROL ROOM



PANEL "1.1" "CP-1"
(BUILT INTO COUNTER TOP) PROCESSING WORK STATION

COMMUNICATIONS: INTERCOX

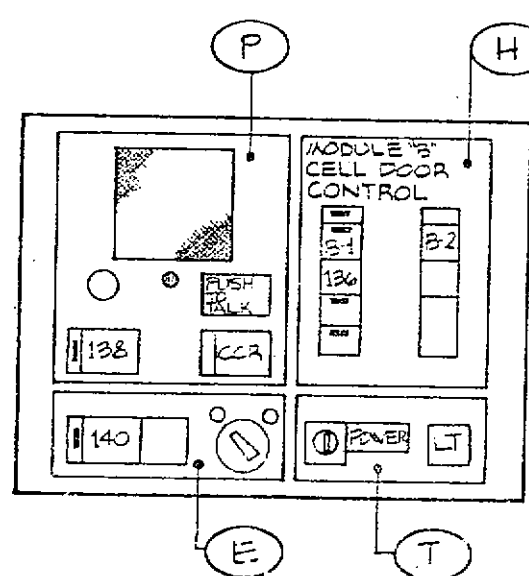
CONTROLS: AUTO SALLYPORT OVERHEAD DOOR.



PANEL "2.1" "CP-2"
(FLUSH MOUNT WALL) MODULE "A"

COMMUNICATIONS: INTERCOX

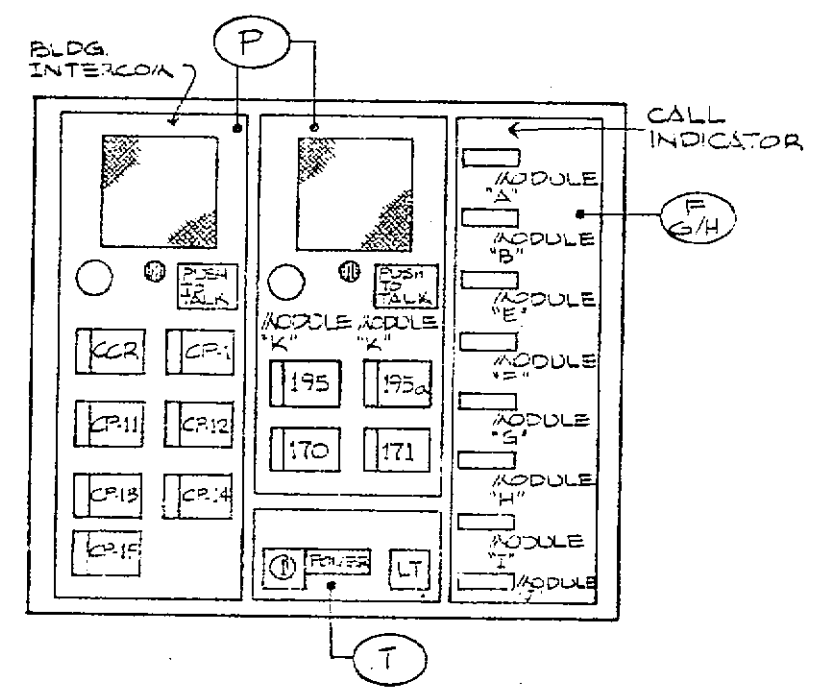
CONTROLS: CELL DOORS, SALLYPORT DOORS.



PANEL "3.1" "CP-3"
(FLUSH MOUNT WALL) MODULE "B"

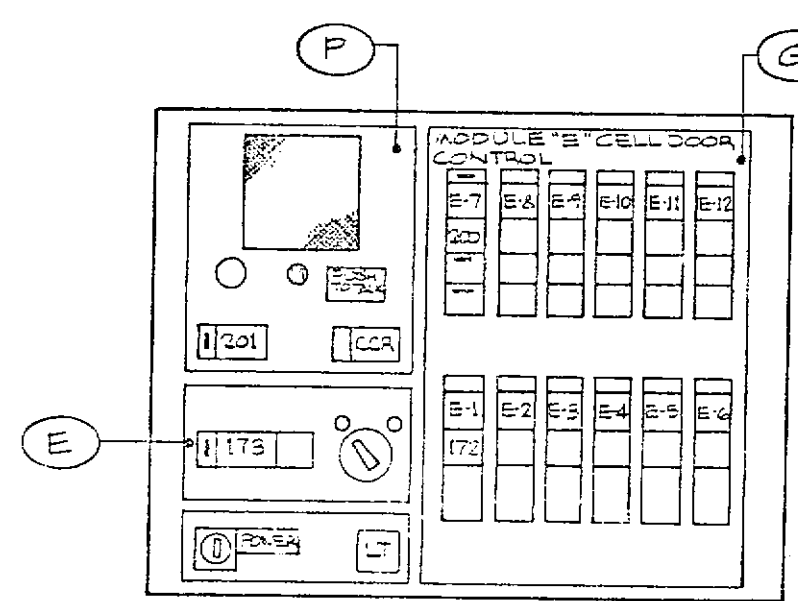
COMMUNICATIONS: INTERCOX

CONTROLS: CELL DOORS



PANEL "4.1" "CP-4"
(BUILT INTO COUNTER TOP) FLOOR CONTROL

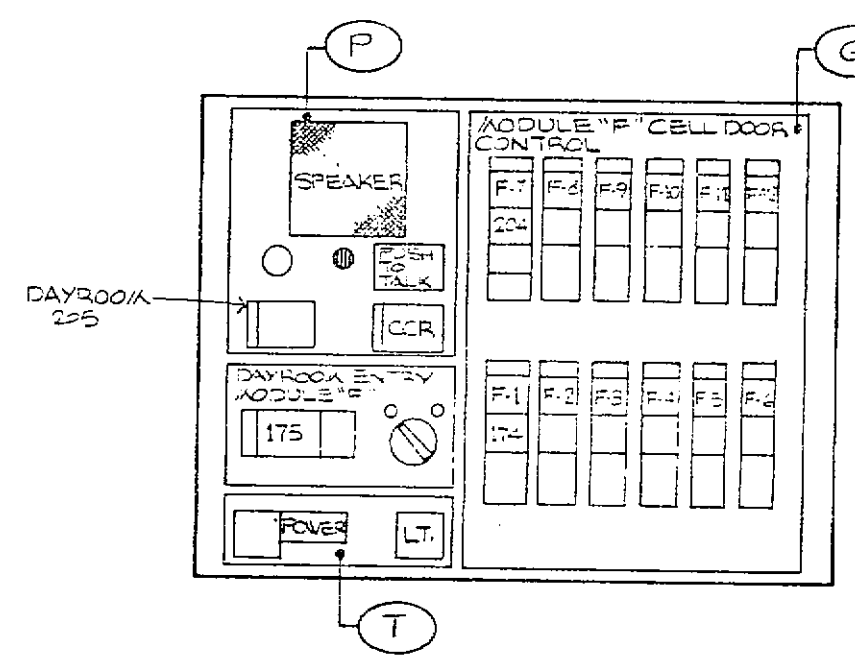
COMMUNICATIONS: INTERCOX



PANEL "5.1" "CP-5"
(FLUSH MOUNT WALL) MODULE "E"

COMMUNICATIONS: INTERCOX

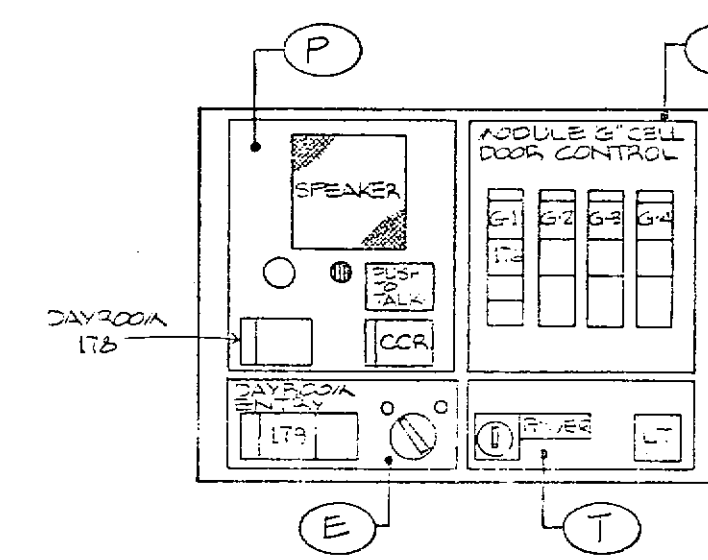
CONTROLS: CELL DOORS, SALLYPORT DOORS



PANEL "6.1" "CP-6"
(WALL MOUNT) MODULE "F"

COMMUNICATIONS: INTERCOX

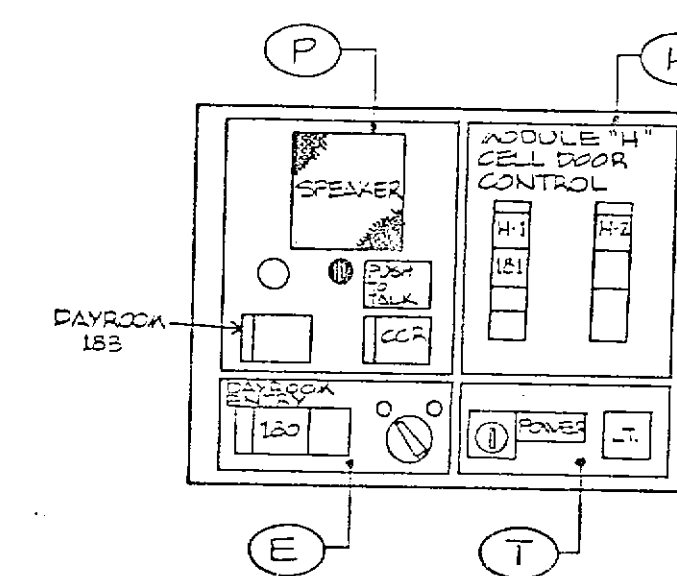
CONTROLS: CELL DOORS, SALLYPORT DOORS



PANEL "7.1" "CP-7"
(WALL MOUNT) MODULE "G"

COMMUNICATIONS: INTERCOX

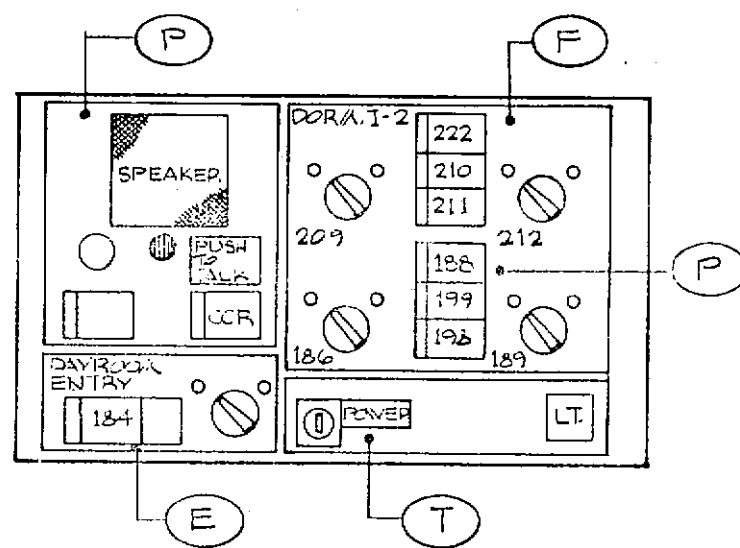
CONTROLS: CELL DOORS, SALLYPORT DOORS



PANEL "8.1" "CP-8"
(WALL MOUNT) MODULE "H"

COMMUNICATIONS: INTERCOX

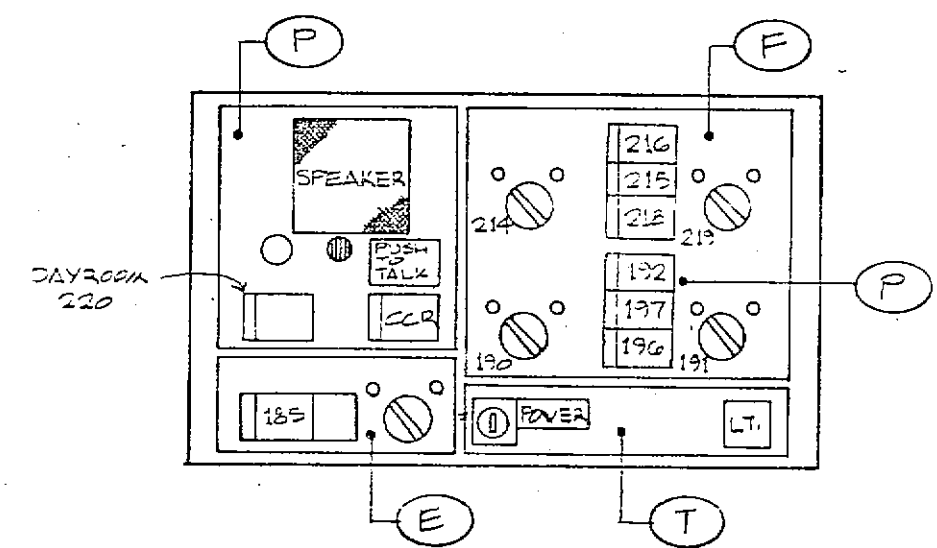
CONTROLS: CELL DOORS, SALLYPORT DOORS



PANEL "9.1" "CP-9"
(WALL MOUNT) MODULE "I"

COMMUNICATIONS: INTERCOX

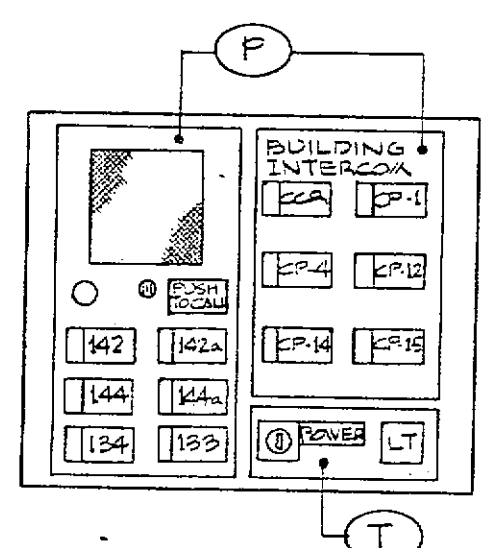
CONTROLS: CELL DOORS, SALLYPORT DOORS.



PANEL "10.1" "CP-10"
(WALL MOUNT) MODULE "J"

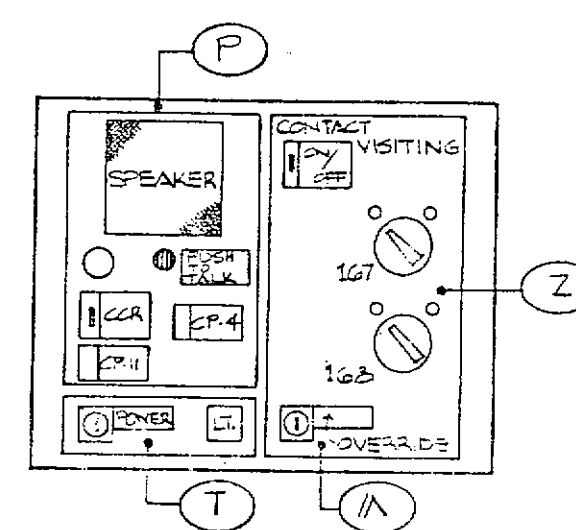
COMMUNICATIONS: INTERCOX

CONTROLS: CELL DOORS, SALLYPORT DOORS



PANEL "11.1" "CP-11"
(DESK MOUNT) MATRON

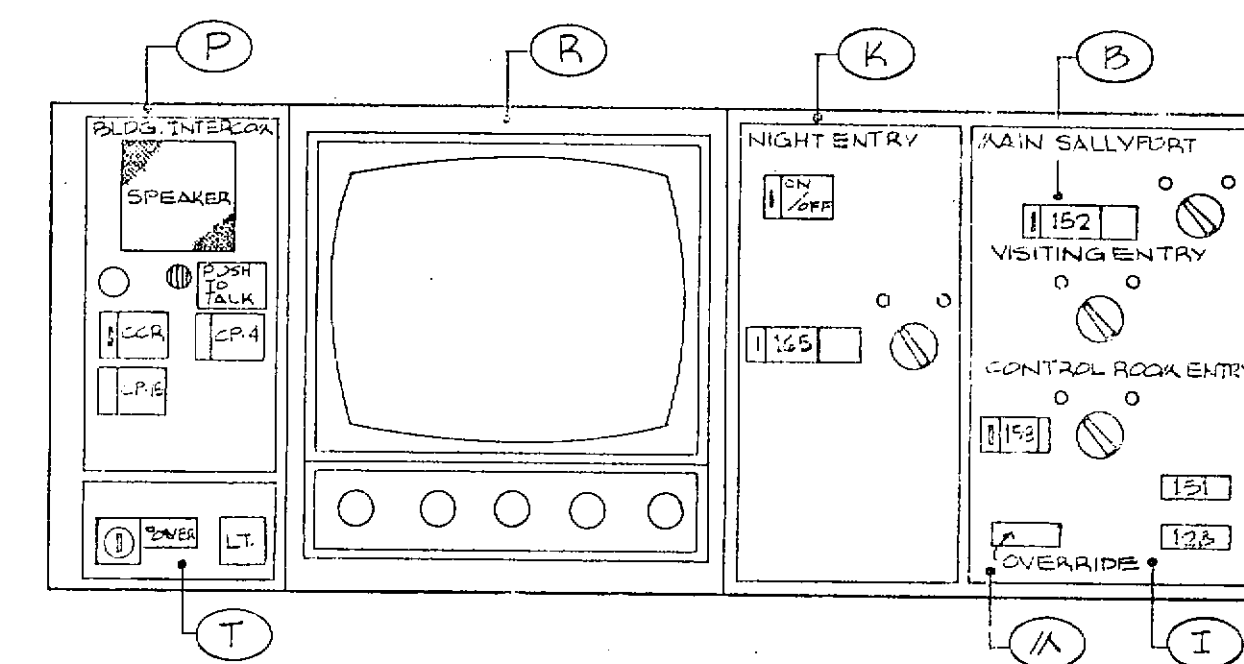
COMMUNICATIONS: LOCAL INTERCOX, BUILDING INTERCOX



PANEL "12.1" "CP-12"
(FLUSH MOUNT WALL) CONTACT VISITING

COMMUNICATIONS: BUILDING INTERCOX

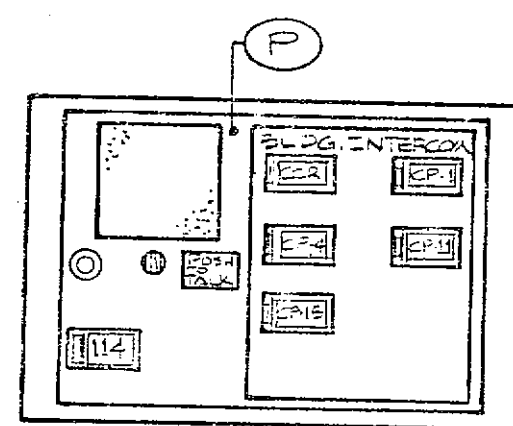
CONTROLS: CONTACT VISITING INMATE AND PUBLIC DOORS.



PANEL "13.1" "CP-13"
(BUILT INTO COUNTER TOP) ENTRY/VISITING CONTROL

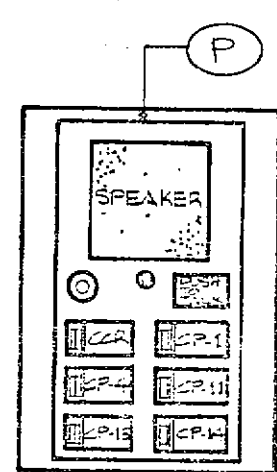
COMMUNICATIONS: HANDS FREE TO ENTRY VESTIBULE

CONTROLS: MAIN ENTRY DOOR, VISITING ENTRY AND CENTRAL CONTROL ENTRY



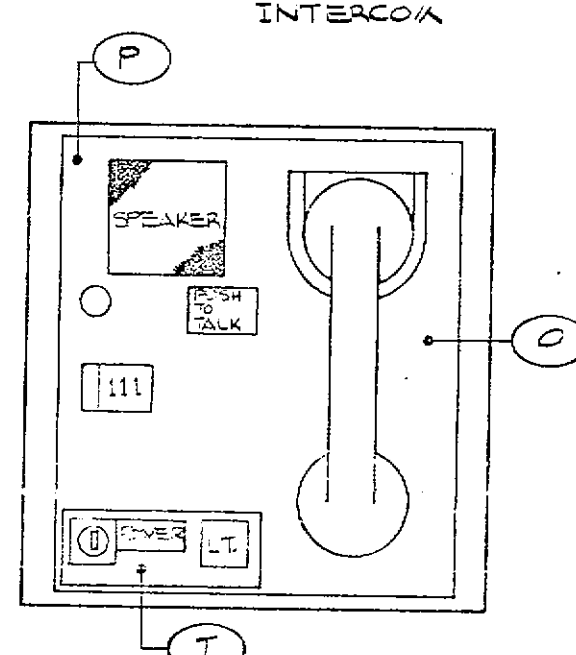
PANEL "14.1" "CP-14"
(DESK MOUNT) KITCHEN OFFICE

COMMUNICATIONS: KITCHEN PAGE, BUILDING INTERCOX



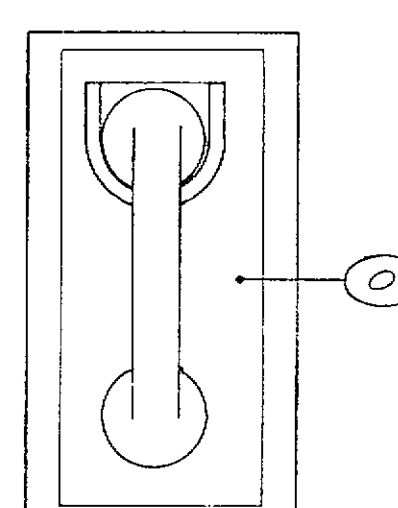
PANEL "15.1" "CP-15"
(DESK MOUNTED) JAILERS' OFFICE

COMMUNICATIONS: BUILDING INTERCOX



PANEL "16.1" "CP-16"
(FLUSH MTD. WALL) OBSERVATION ROOM

COMMUNICATIONS: INTERCOX TO LINE-UP AREA



PANEL "17.1" "CP-17"
(FLUSH MOUNT WALL) LINE UP

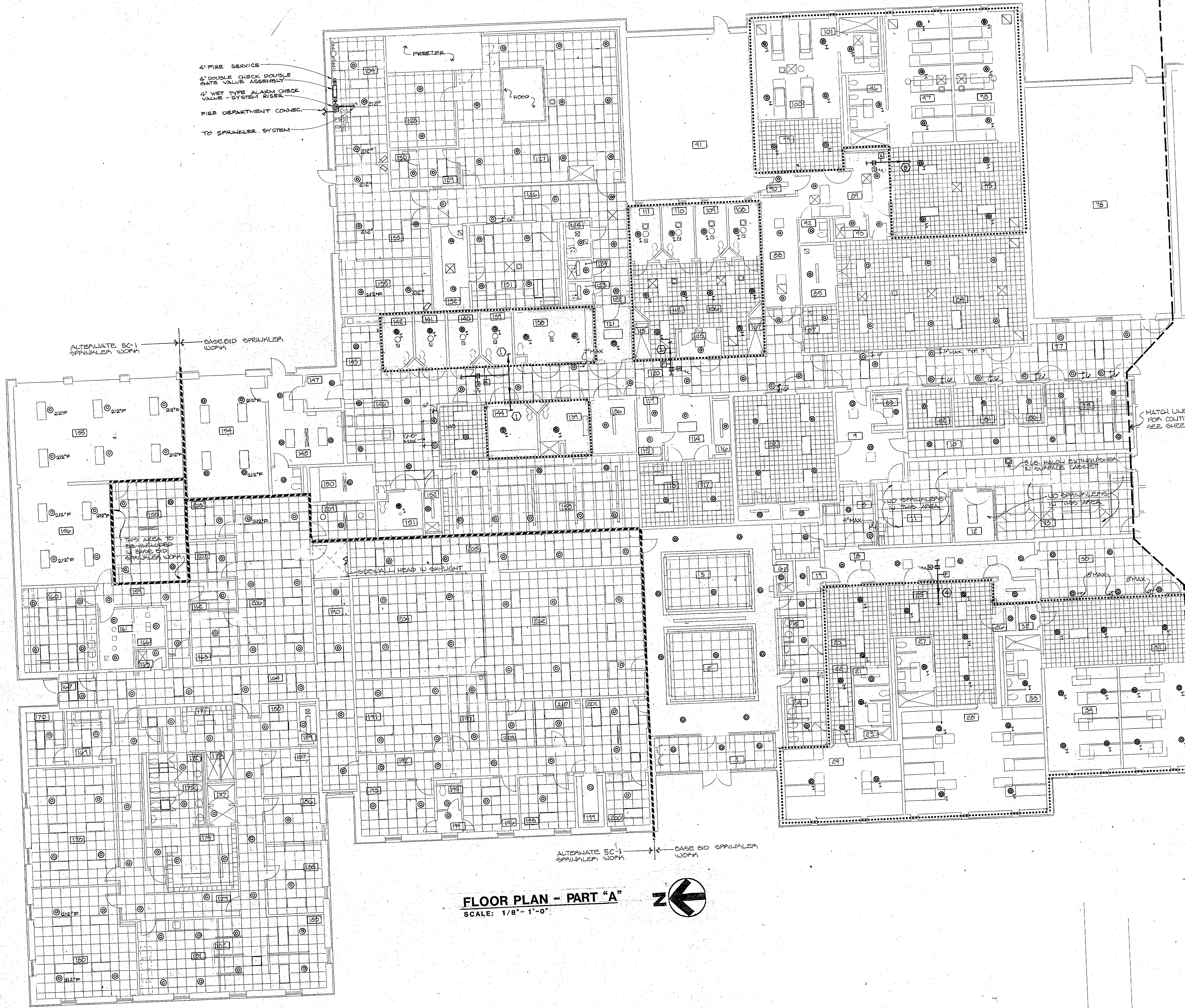
COMMUNICATIONS: INTERCOX TO OBSERVATION ROOM

FRANKLIN COUNTY ADULT JAIL
UNION, MISSOURI

PEARCE CORPORATION
One Mercantile Center
St. Louis, Missouri 63101

Siebold, Sydow & Eltanbaum Inc.
Structural Engineers
Cotton/Lester/Niederhorn Associates, Inc.
Mechanical & Electrical Engineers
Walker McGough Foltz Lyster, P.S.
Security Consultants

FRANK R. NIEDERHORN
REGISTERED PROFESSIONAL ENGINEER
NUMBER E-6401
DATE 3-15-85
DRAWING NO. E-12



4" FIRE SERVICE
 4" DOUBLE CHECK DOUBLE
 GATE VALVE ASSEMBLY
 4" WET TYPE ALARM CHECK
 VALVE - SYSTEM RISER
 FIRE DEPARTMENT CONN.
 TO SPRINKLER SYSTEM

ALTERNATE EC-1
 SPRINKLER WORK
 BASE BID SPRINKLER
 WORK

THIS AREA TO
 BE INCLUDED
 IN BASE BID
 SPRINKLER WORK

SIDEWALL HEAD IN SKYLIGHT

ALTERNATE EC-1
 SPRINKLER WORK
 BASE BID SPRINKLER
 WORK

MATCH LINE
 FOR CONTINUATION
 SEE SHEET FP-2

NO SPRINKLERS
 IN THIS AREA
 4" MAX

5 LB. HALON EXTINGUISHER
 IN SURFACE CABINET

NO SPRINKLERS
 IN THIS AREA
 4" MAX

FIRE PROTECTION LEGEND

- SPR — SPRINKLER LINE
- RECESSED SPRINKLER HEAD 165°F
- △ SIDEWALL HEAD 165°F
- △ I INSTITUTIONAL PENDENT HEAD 165°F
- △ I INSTITUTIONAL SIDEWALL HEAD 165°F
- 212°F RECESSED SPRINKLER HEAD 212°F
- ⊠ GATE VALVE WITH SUPERVISORY SWITCH
- ⊞ CHECK VALVE WITH BALL DRIP
- ⊞ M MOTORIZED BUTTERFLY VALVE
- ⊞ F FLOW SWITCH
- ⊞ S SPRINKLER ZONE BOUNDARY
- SPRINKLER ZONE NUMBER
- DIRECTION OF FLOW

FLOOR PLAN - PART "A"

SCALE: 1/8" = 1'-0"



FRANKLIN COUNTY ADULT JAIL
 UNION, MISSOURI

PEARCE CORPORATION
 One Merchants Center
 Saint Louis, Missouri 63101

Siebold, Sydow & Elfanbaum Inc.
 Structural Engineers
 Colton/Lester/Wieserkorn Associates, Inc.
 Mechanical & Electrical Engineers
 Walker, McCough, Foltz, Lytle, P.S.
 Security Consultants

DRAWN BY DDT
CHECKED BY CAL
REVISIONS

PROJ. NO. 84-07-1-00
DATE 3/15/85

FP-1
DRAWING NO.

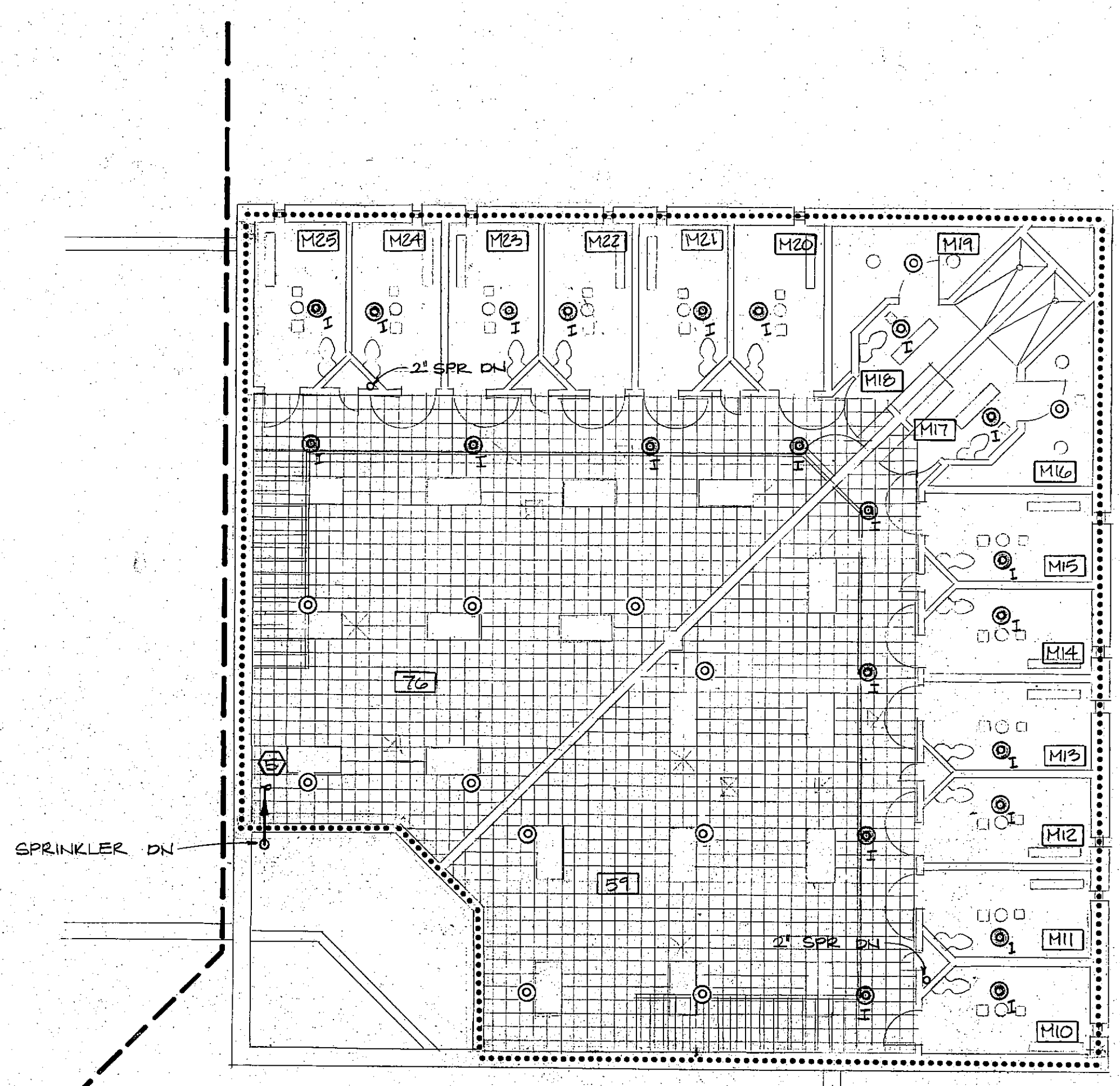
ROOM NO.	ROOM NAME	ROOM NO.	ROOM NAME
1	VESTIBULE	136	MATTRESS STORAGE
2	LOBBY	137	DRESSING
3	WAITING	138	MALE CONG. HOLDING
4	WOMEN	139	HOLDING
5	MEN	140	HOLDING
6	JANITOR	141	HOLDING
7	PASSAGE	142	HOLDING
8	VESTIBULE	143	MEDICAL EXAM
9	SALLYPORT	144	PEM. CONG. HOLDING
10	PASSAGE	145	JAILER
11	OPEN OFFICE AREA	146	PROCESSING
12	F.O.C. OFFICE	147	SALLYPORT
13	E.O.C. COMMUNICATIONS	148	LOW LOBBY
14	POLICE COMMUNICATIONS	149	TOILET
15	SALLYPORT	150	LINE UP
16		151	DETOK.
17	ELECTRICAL	152	JANITOR
18	DAY ROOM	153	CLOTHING/PROP. RM.
19	STORAGE	154	VEHICLE SALLYPORT
20	PASSAGE	155	VEHICLE STORAGE
21	TOILET	156	VEHICLE PROCESSING
22		157	VEHICLE LARGE EVIDENCE
23		158	PASSAGE
24	FEM. N.R. DORM	159	CRIME LAB
25	DAY ROOM	160	PASSAGE
26	STORAGE	161	PHOTO LAB LIGHT SIDE
27	TOILET	162	SMALL EVIDENCE
28	MALE N.R. DORM	163	SUPERVISOR
29	MECH.	164	CORRIDOR
30	CORRIDOR	165	JANITOR
31	DAY ROOM	166	PHOTO LAB DARK SIDE
32	STORAGE	167	WEST BULL
33	TOILET	168	PASSAGE
34	MALE TRUSTEE DORM	169	ARMORY
35	CORRIDOR	170	WEAPONS' STORAGE
36	OUTDOOR REC. AREA	171	WOMEN'S LOCKER
37	VISITING	172	WOMEN'S TOILET
38		173	SHOWERS
39	INTERVIEW	174	MEN'S LOCKER
40	KITCHEN	175	MEN'S TOILET
41	MULTIPURPOSE RM.	176	DRY
42		177	SHOWER
43	STORAGE	178	BULL CALL
44	ALCOVE	179	PASSAGE
45	CHAPLAIN'S OFFICE	180	EXERCISE
46	PASSAGE	181	VENOING
47	PASSAGE	182	REPORT WRITE UP
48	VESTIBULE	183	SEAGENTS
49	OUTDOOR REC. AREA	184	PASSAGE
50	TOILET	185	SUPERVISOR
51	JANITOR	186	CAPTAIN
52	LAUNDRY	187	TRAFFIC
53	GAY ROOM	188	SEC. YRFR.
54		189	STORAGE
55		190	CORRIDOR
56	TOILET	191	CONFERENCE
57	MED. FEM. DORM 1	192	PASSAGE
58	MED. FEM. DORM 2	193	SHEDDING
59	DAY ROOM	194	VESTIBULE
60	FEM. TRUSTEE DORM	195	TOILET
61		196	DENITY
62	TOILET	197	MECH.
63	LIBRARY	198	C. R. OFFICE
64	STORAGE	199	WALLET
65	STORAGE	200	FILES/MORATORIUM
66	VESTIBULE	201	SEC. Y. RECP.
67	DAY ROOM	202	OFFICE
68	SHOWER	203	CIVIL FILES
69	SEGREGATION CELL	204	CENTRAL FILES
70	MAXIMUM CELL	205	CORRIDOR
71		206	DETECTIVES
72	MAXIMUM CELL	207	INTERVIEW
73	DAY ROOM	208	INTERVIEW
74	SHOWER	209	OBSERVATION
75	WAITING	210	FILES
76	TOILET		
77			
78			
79			
80			
81			
82			
83			
84			
85			
86			
87			
88			
89			
90			
91			
92			
93			
94			
95			
96			
97			
98			
99			
100			
101			
102			
103			
104			
105			
106			
107			
108			
109			
110			
111			
112			
113			
114			
115			
116			
117			
118			
119			
120			
121			
122			
123			
124			
125			
126			
127			
128			
129			
130			
131			
132			
133			
134			
135			

ROOM IDENTIFICATION SCHEDULE

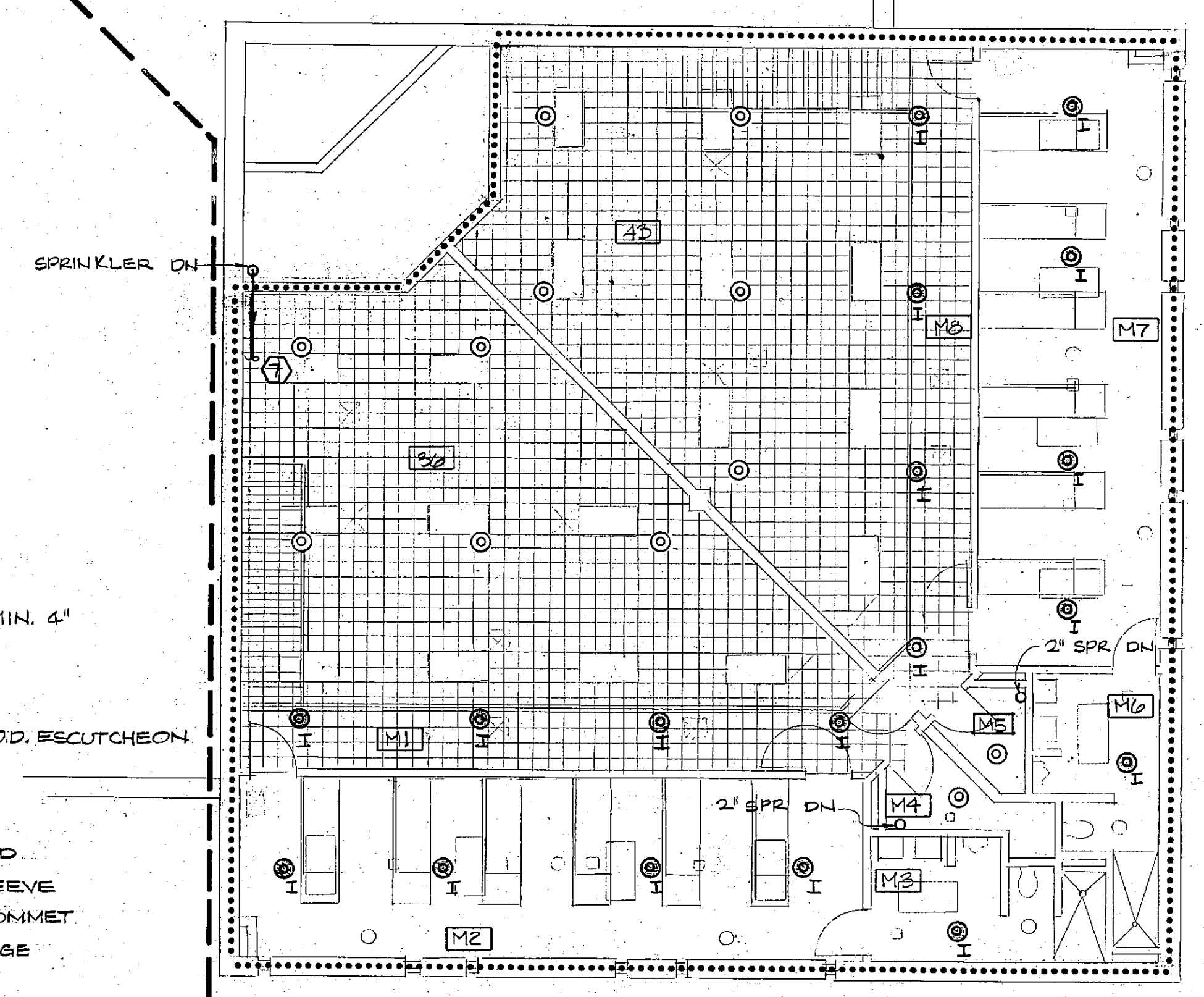
ROOM NO.	ROOM NAME
M1	BALCONY
M2	MED. MALE DORM
M3	TOILET
M4	STORAGE
M5	STORAGE
M6	TOILET
M7	MED. MALE DORM
M8	BALCONY
M9	BALCONY
M10	CELL
M11	CELL
M12	CELL
M13	CELL
M14	CELL
M15	CELL
M16	STORAGE
M17	TOILET
M18	TOILET
M19	STORAGE
M20	CELL
M21	CELL
M22	CELL
M23	CELL
M24	CELL
M25	CELL
M26	BALCONY

ROOM IDENTIFICATION SCHEDULE

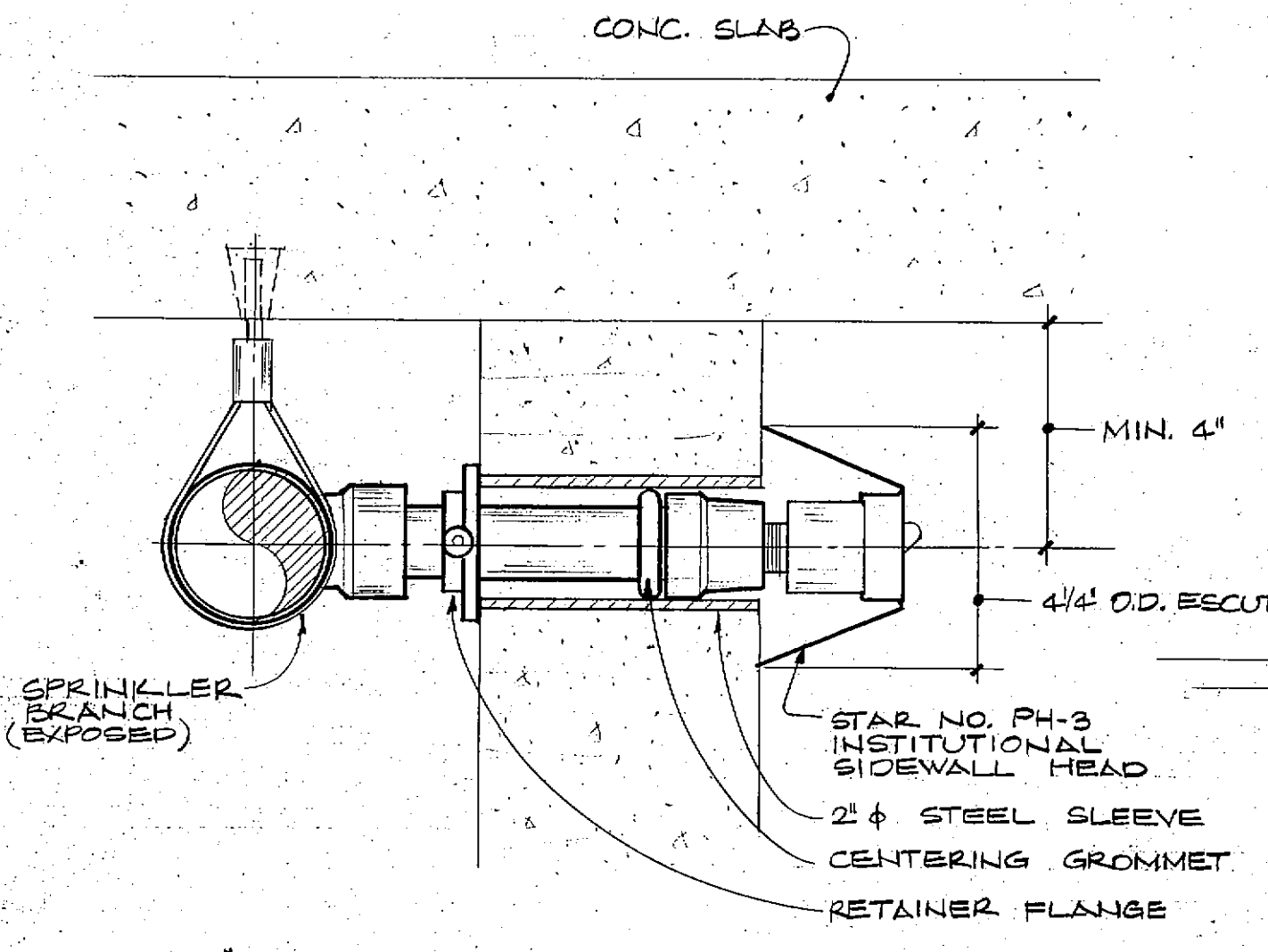
ROOM NO.	ROOM NAME
15	CENTRAL CONTROL
16	TOILET
17	EQUIPMENT
25	VESTIBULE
36	MED. MALE DAY ROOM
37	MED. MALE DORM
38	TOILET
39	STORAGE
40	STORAGE
41	TOILET
42	MED. MALE DORM
43	MED. MALE DAY ROOM
44	CORRIDOR
45	VESTIBULE
46	ISOLATION DAY ROOM
47	SHOWER
48	CELL
49	CELL
50	CELL
51	CELL
52	CELL
53	CELL
54	SHOWER
55	SPEC. MALE DAY ROOM
56	FLOOR CONTROL
57	JANITOR
58	VESTIBULE
59	MED. MALE DAY ROOM
60	CELL
61	CELL
62	CELL
63	CELL
64	CELL
65	CELL
66	STORAGE
67	TOILET
68	TOILET
69	STORAGE
70	CELL
71	CELL
72	CELL
73	CELL
74	CELL
75	CELL



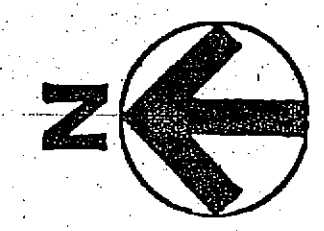
MATCH LINE - FOR CONTINUATION SEE SHT. FP-1



SECTION
NO SCALE



MEZZANINE FLOOR PLAN
SCALE: 1/8" = 1'-0"

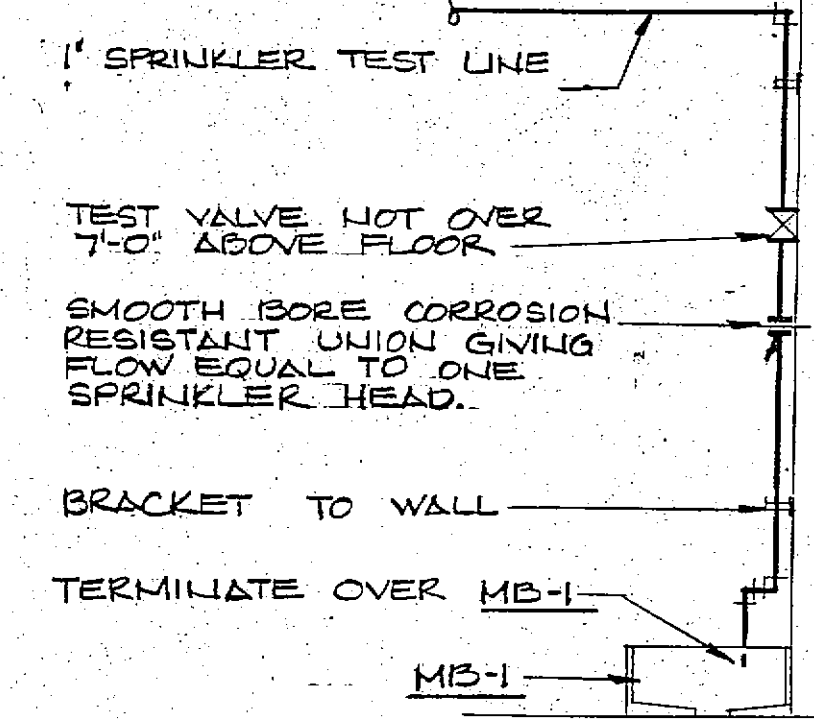


INSPECTOR'S TEST VALVE SEE DETAIL THIS SHT.
5 LB. HALON EXTINGUISHER IN RECESSED CABINET

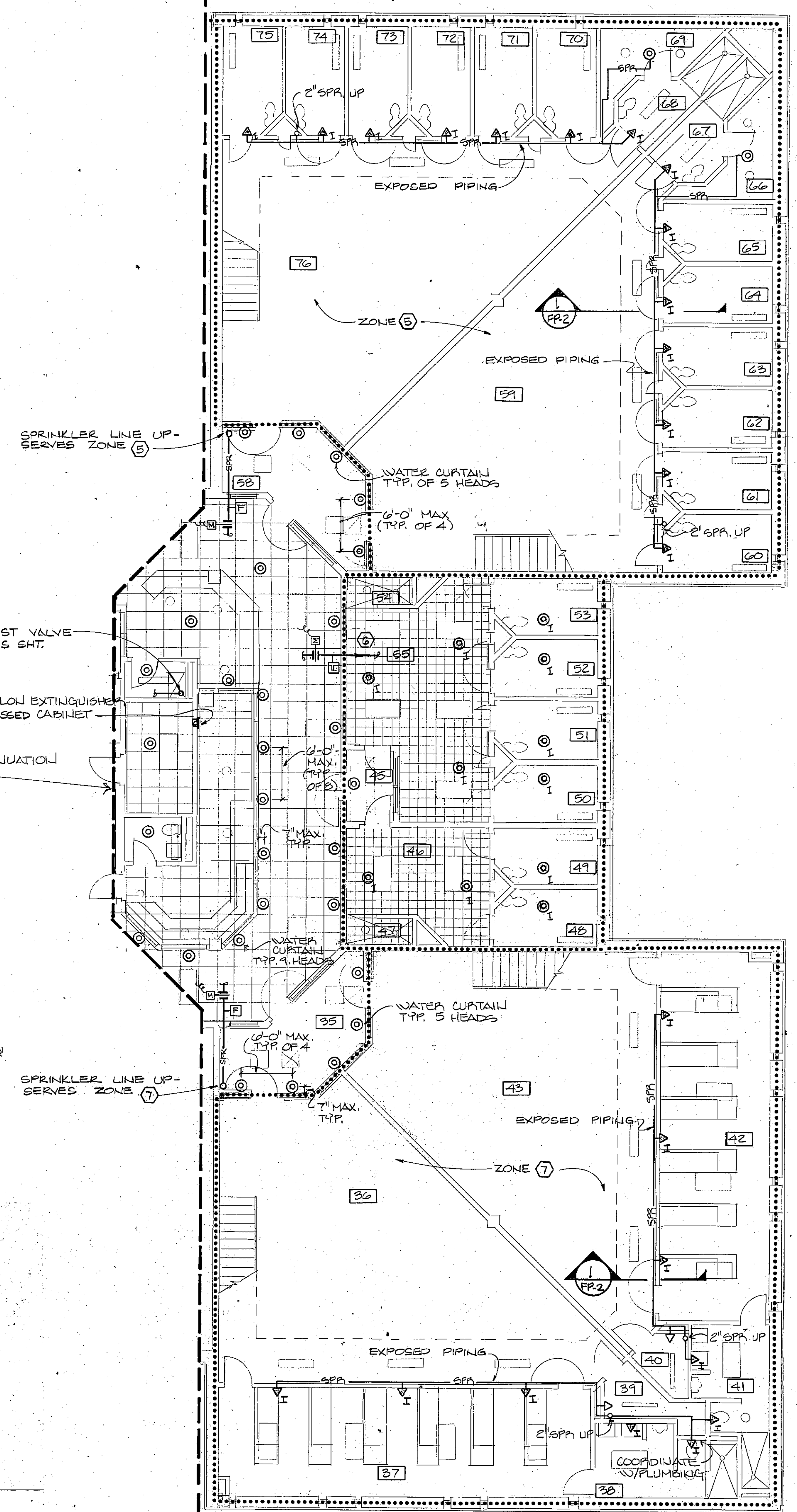
MATCH LINE - FOR CONTINUATION SEE SHT. FP-1

SPRINKLER LINE UP - SERVES ZONE (E)

SPRINKLER LINE UP - SERVES ZONE (7)



SPRINKLER TEST LINE DETAIL



FLOOR PLAN - PART B
SCALE: 1/8" = 1'-0"



FRANKLIN COUNTY ADULT JAIL
UNION, MISSOURI

PEARCE CORPORATION
One Mercantile Center
St. Louis, Missouri 63101

Siebold, Sydow & Efanbaum Inc.
Structural Engineers
Colton/Lester/Niederborn Associates, Inc.
Mechanical & Electrical Engineers
Walker McGough Foltz Lyeris, P.S.
Security Consultants



DRAWN BY D.P.T.	FP-2
CHECKED BY HAROLD COLTON	
REVISOR	
PROJ. NO. 84-07-1.00	
DATE 3/15/85	DRAWING NO.