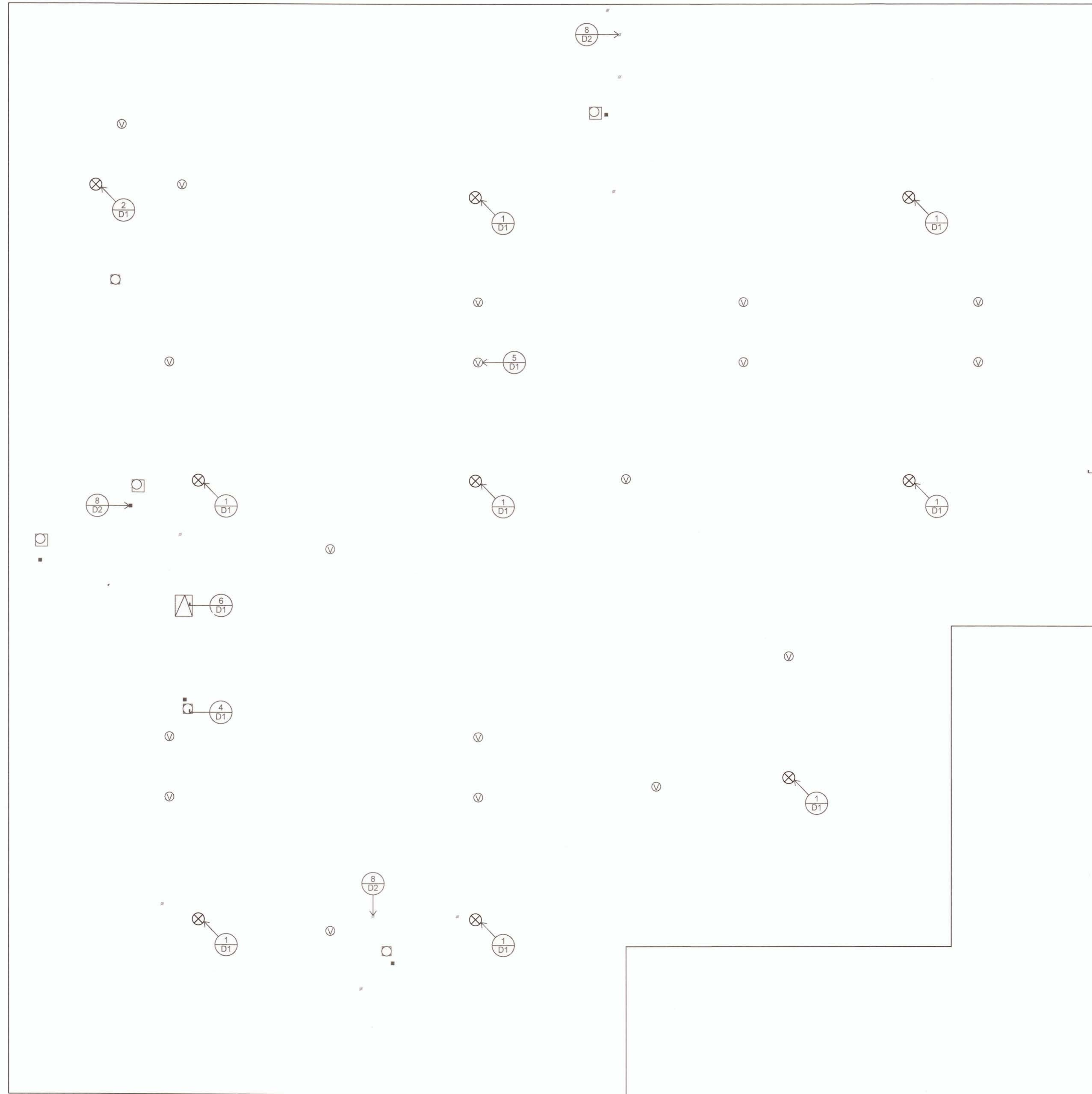


**IRC-1838 INDIAN RIVER COUNTY MAIN LIBRARY
ROOF REPLACEMENT
1600 21st STREET
VERO BEACH, FL 32960
REI PROJECT# 019TPA-027**



KEY	
	ROOF EDGE
	STRUCTURAL SLOPE
	ROOF DRAIN
	SOIL STACK/PIPE
	EXISTING PITCH PAN
	ONE WAY VENT
	CURB WITH FAN
	ROOF HATCH
	SECTOR DESIGNATION
	DETAIL NUMBERS
	DRAWING NOTE

*CONTRACTOR TO VERIFY FOR BIDDING PURPOSES

ROOF SECTOR	SQUARE FOOTAGE*
A1	29,397
TOTAL	29,397

NOTES:

- ① PROVIDE NEW ONE WAY VENTS PLACED WITHIN 5 FEET OF ROOF SLOPE RIDGE HIGH POINT.

REVISION # REVISION DATE

△	
△	
△	
△	

SCALE:

AS NOTED

DATE:

12-04-2019

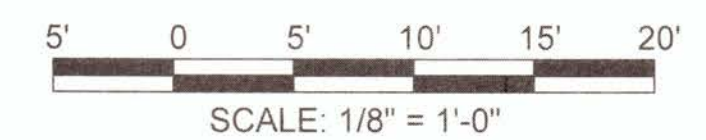
SHEET DESCRIPTION:
ROOF PLAN

REI PROJECT NO:

019TPA-027

SHEET:

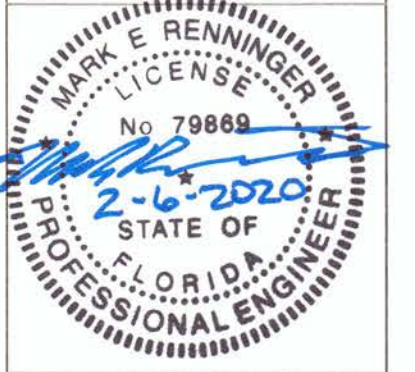
R1



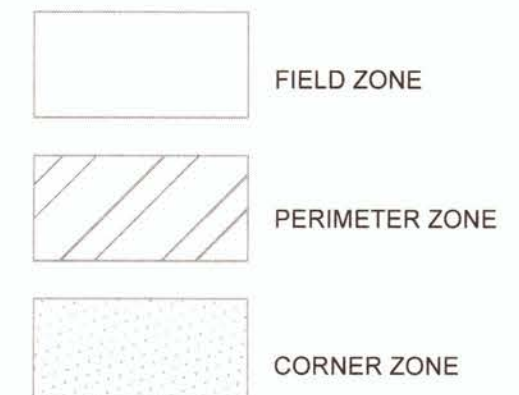
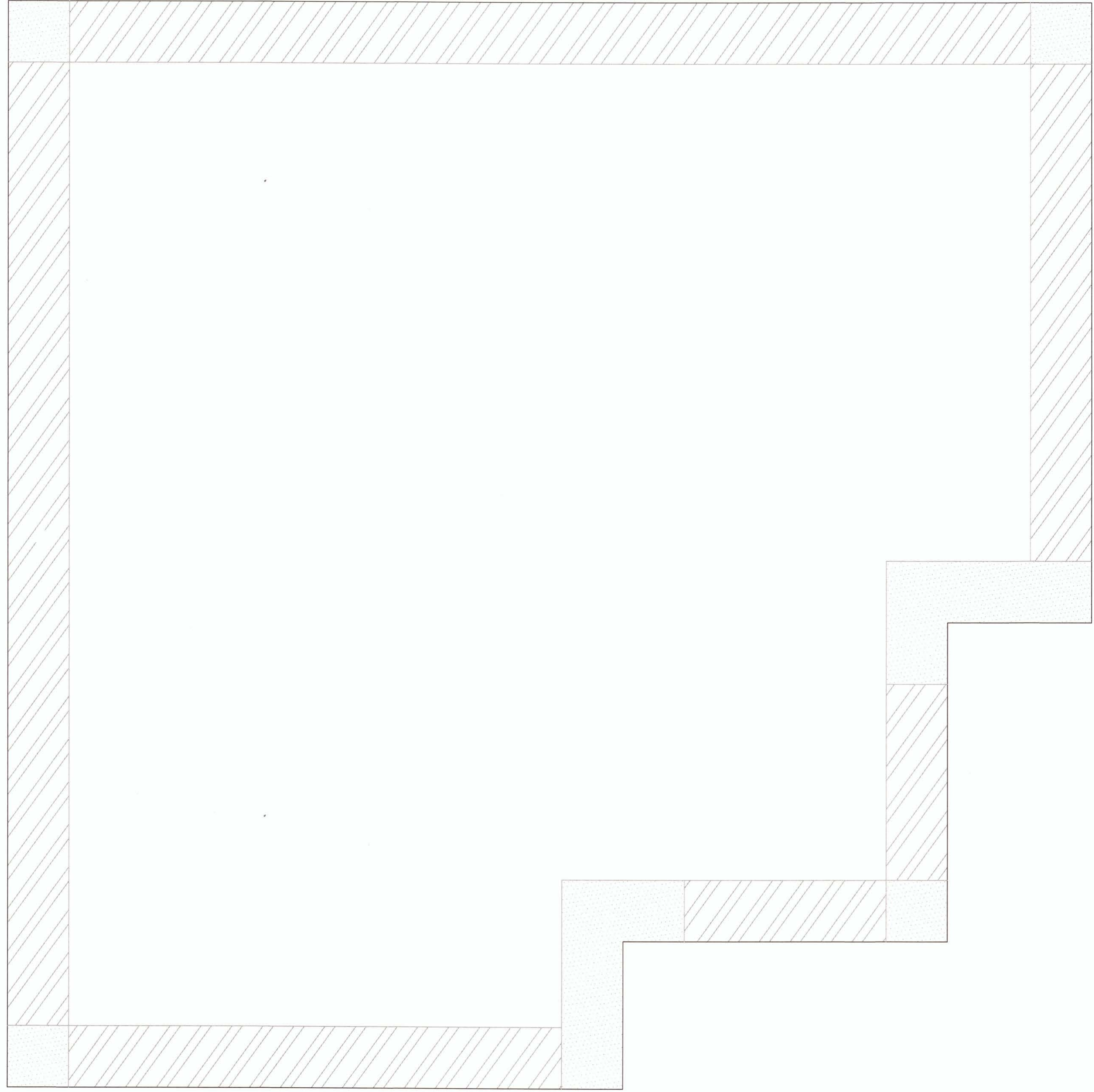


10150 HIGHLAND MANOR DR
SUITE 200
TAMPA, FL 33610
813.944.2137

ROOFING, WATERPROOFING
AND BUILDING ENVELOPE
ENGINEERS & CONSULTANTS
CERTIFICATE NO. C-1520



IRC-1838 INDIAN RIVER COUNTY MAIN LIBRARY
ROOF REPLACEMENT
1600 2nd STREET
VERO BEACH, FL 32960
REI PROJECT# 019TPA-027



BUILDING CODE SUMMARY:

ULTIMATE DESIGN WIND SPEED:	SECTION A1
RISK CATEGORY:	170 MPH
MEAN ROOF HT. (ft):	34 FT
EXPOSURE CATEGORY:	C
ENCLOSURE CLASSIFICATION:	PART. ENCLOSED
RISK CATEGORY:	III
WIND PRESSURES (PSF):	
ZONE 1:	-104.6
ZONE 2:	-117.3
ZONE 3:	-149.0
ZONE SIZE (A):	10.2 FT
ENERGY CODE ROOF INSULATION:	CONDITIONED
CONDITION SPACE DESIGNATION:	SPACE

REVISION #	REVISION DATE
▲	
▲	
▲	
▲	
SCALE:	AS NOTED
DATE:	12-04-2019
SHEET DESCRIPTION:	BUILDING CODE
REI PROJECT NO:	019TPA-027
SHEET:	R2



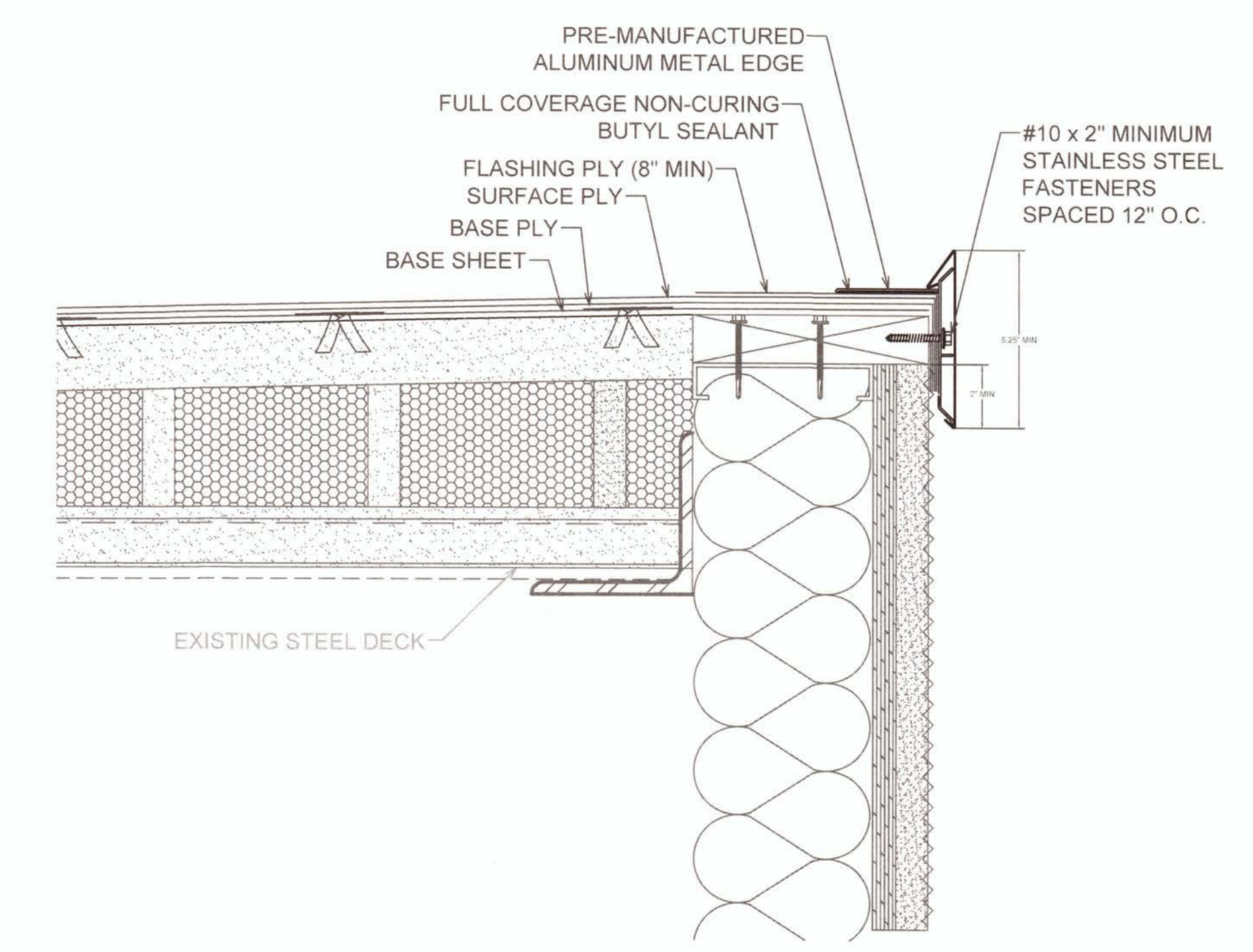
**IRC-1838 INDIAN RIVER COUNTY MAIN LIBRARY
ROOF REPLACEMENT**
1600 21st STREET
VERO BEACH, FL 32960
REI PROJECT# 019TPA-027

REVISION #	REVISION DATE
1	
2	
3	
4	

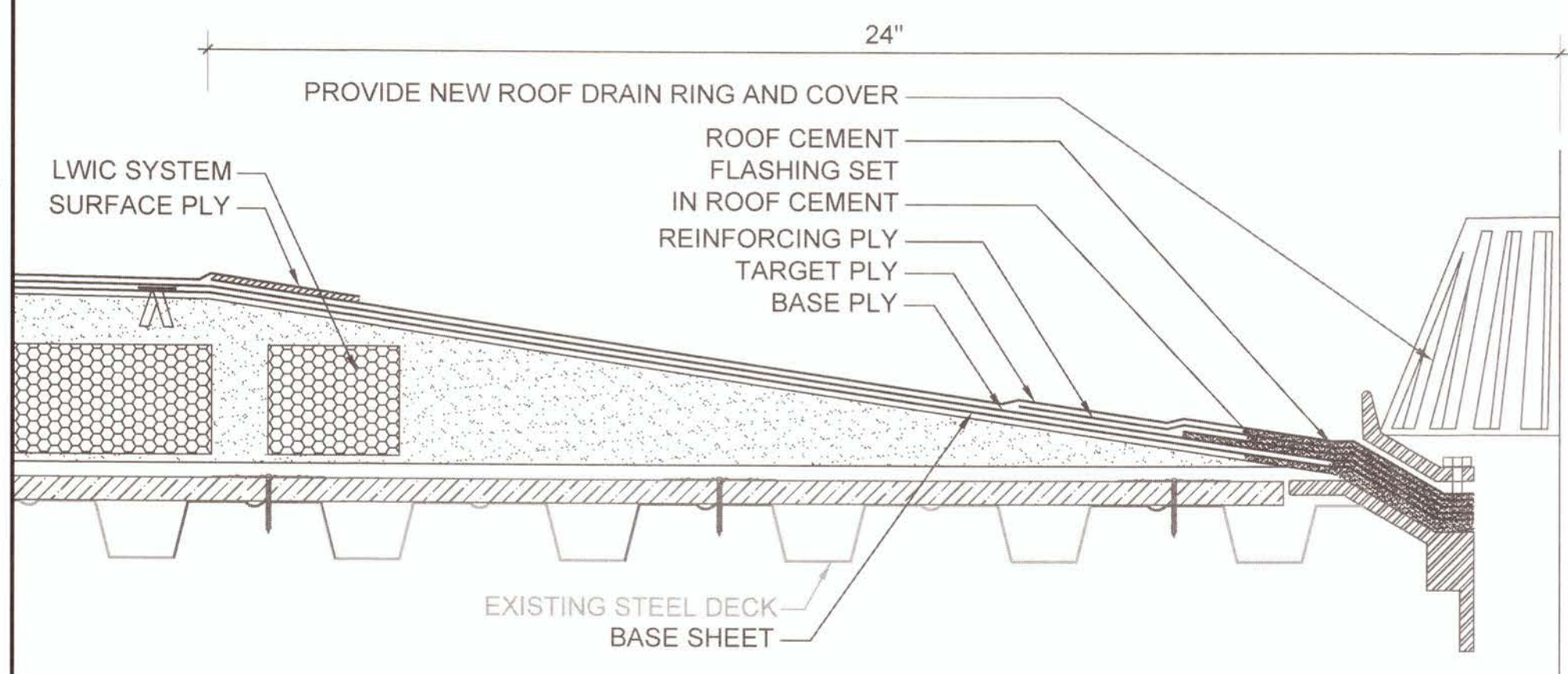
DRAWN BY: M. RENNINGER
SCALE: AS NOTED
DATE: 12-04-2019
DRAWING:

D1

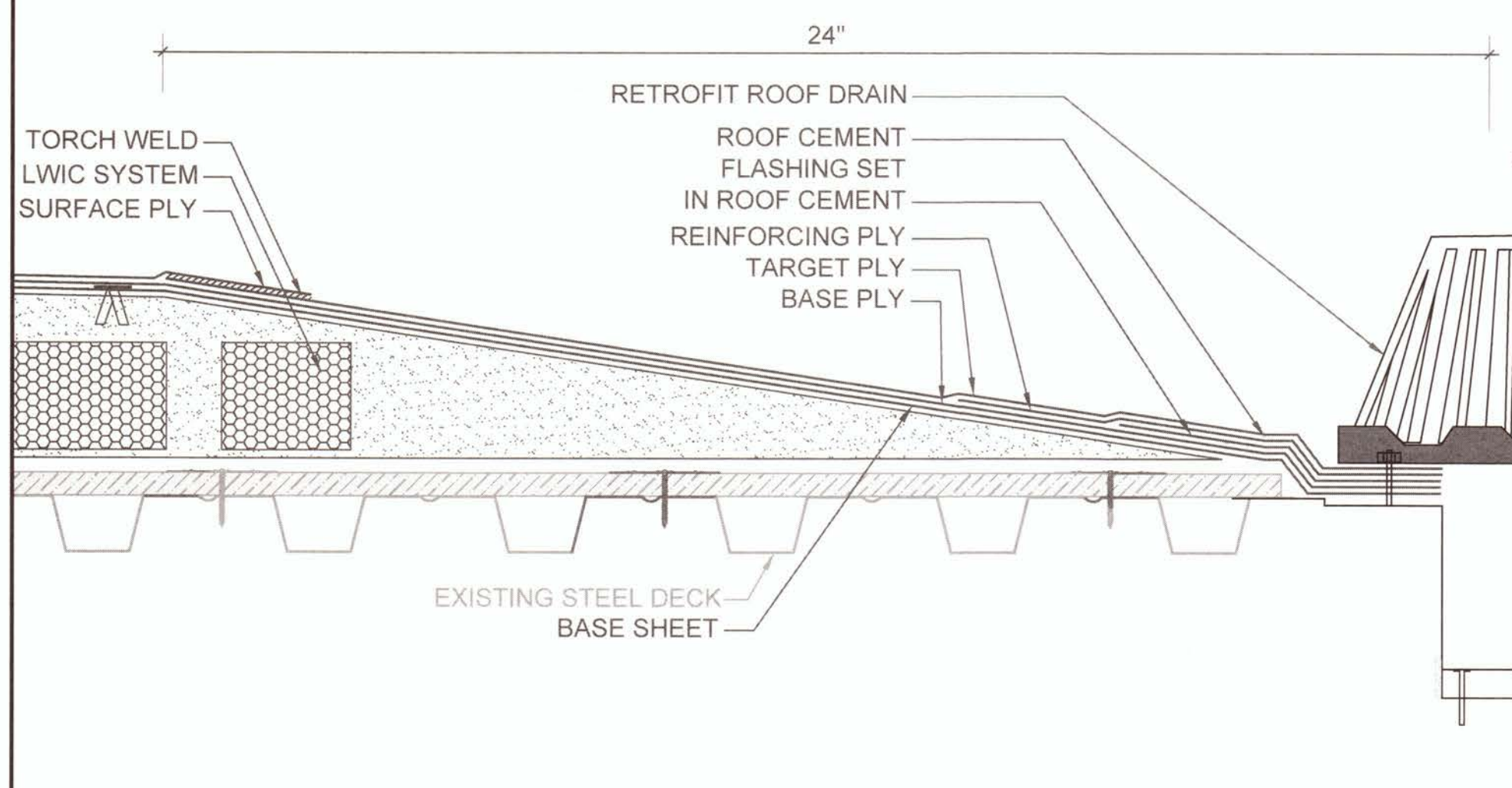
ROOF DETAILS



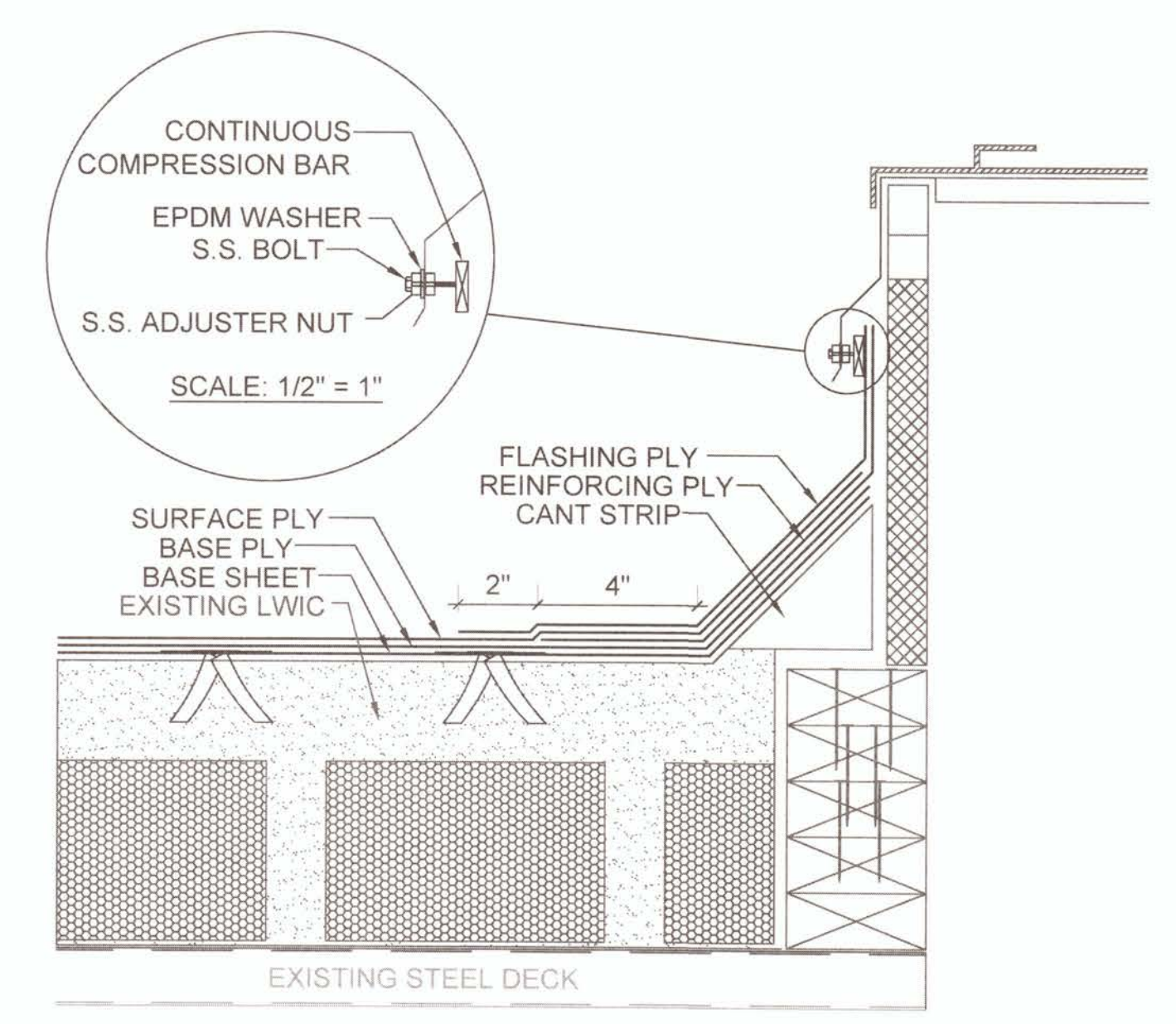
3 ROOF EDGE
SCALE: 3"=1'-0"



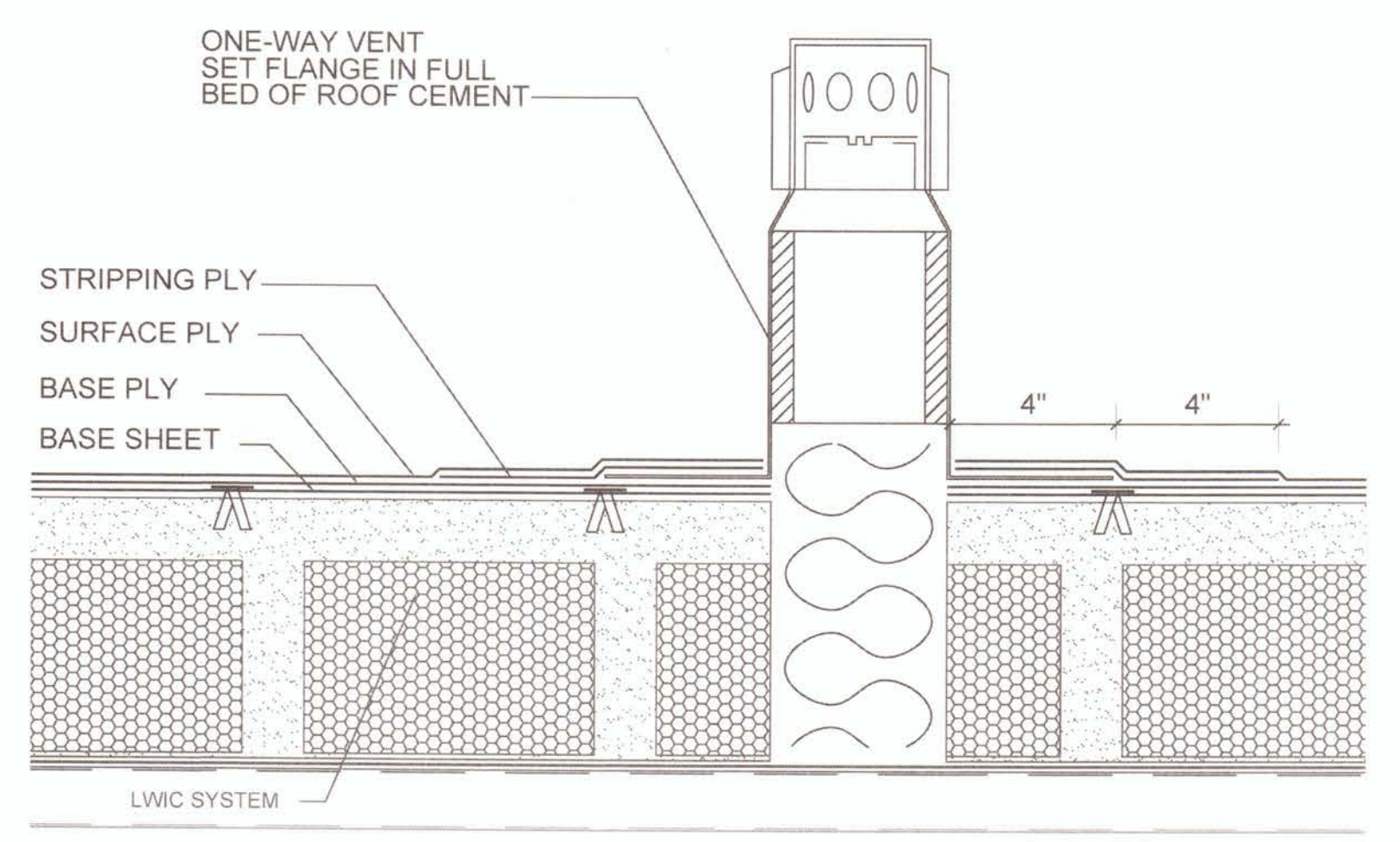
2 DRAIN
SCALE: 3"=1'-0"



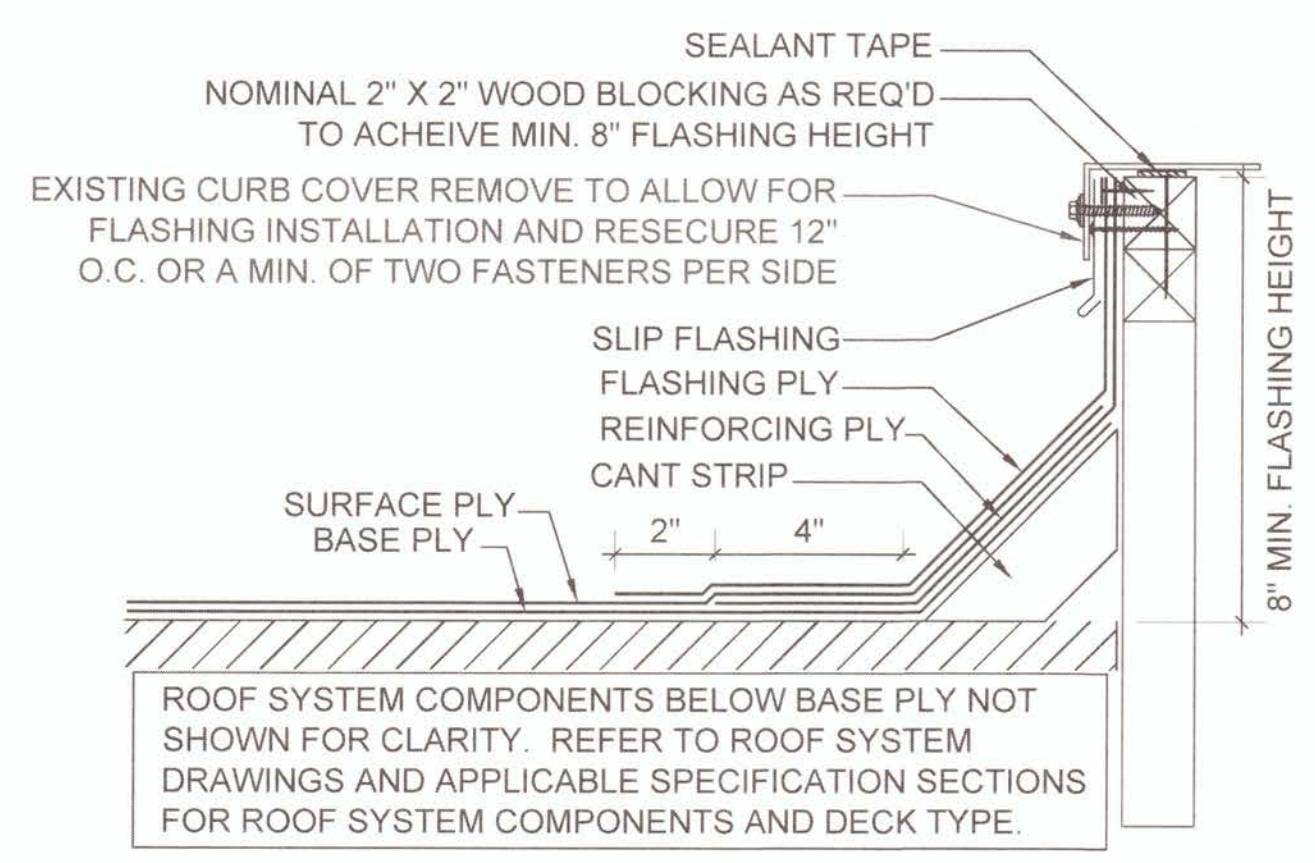
1 RETROFIT DRAIN
SCALE: 3"=1'-0"



6 ROOF HATCH FLASHING
SCALE: 3"=1'-0"

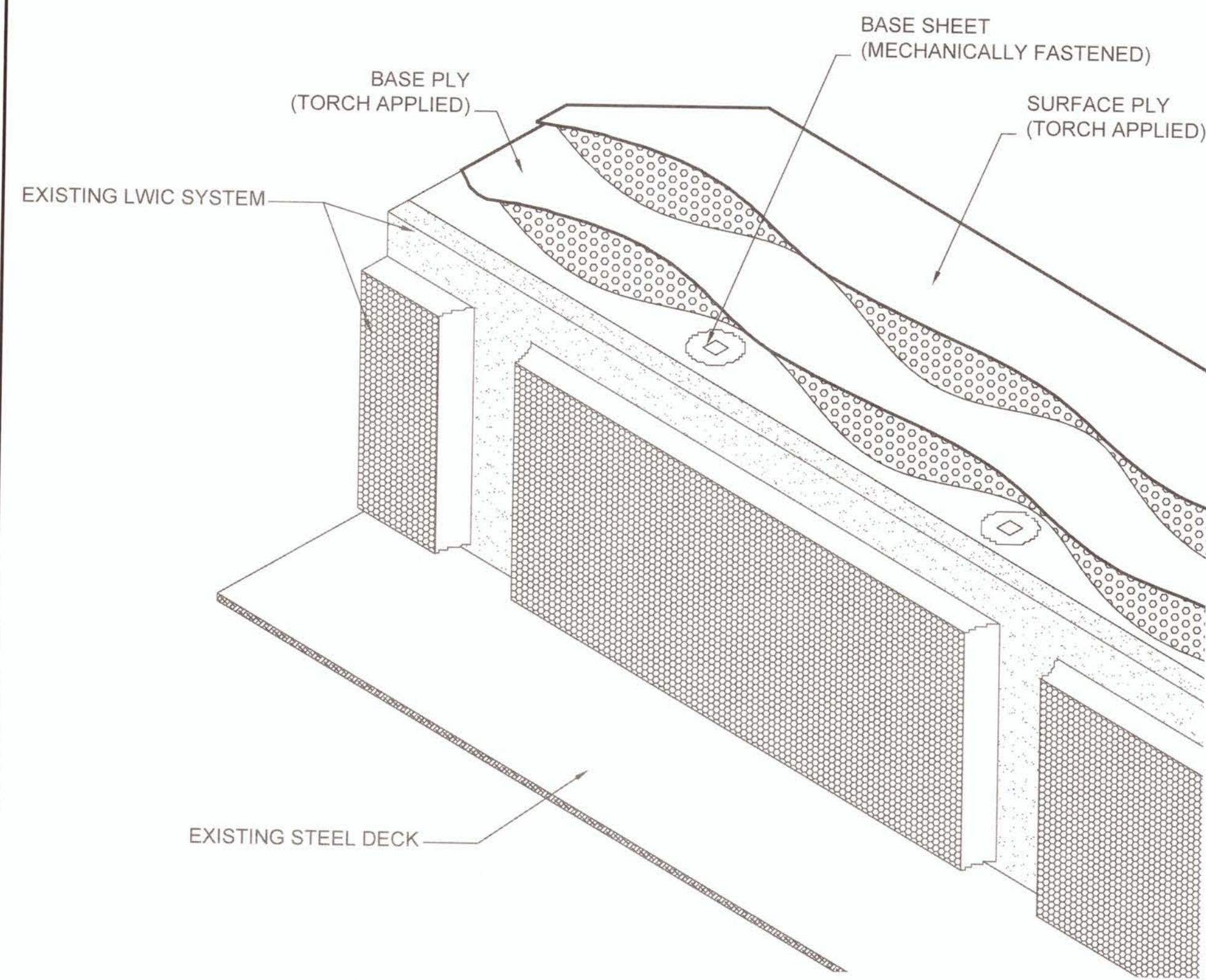


5 ONE-WAY VENT
SCALE: 3"=1'-0"

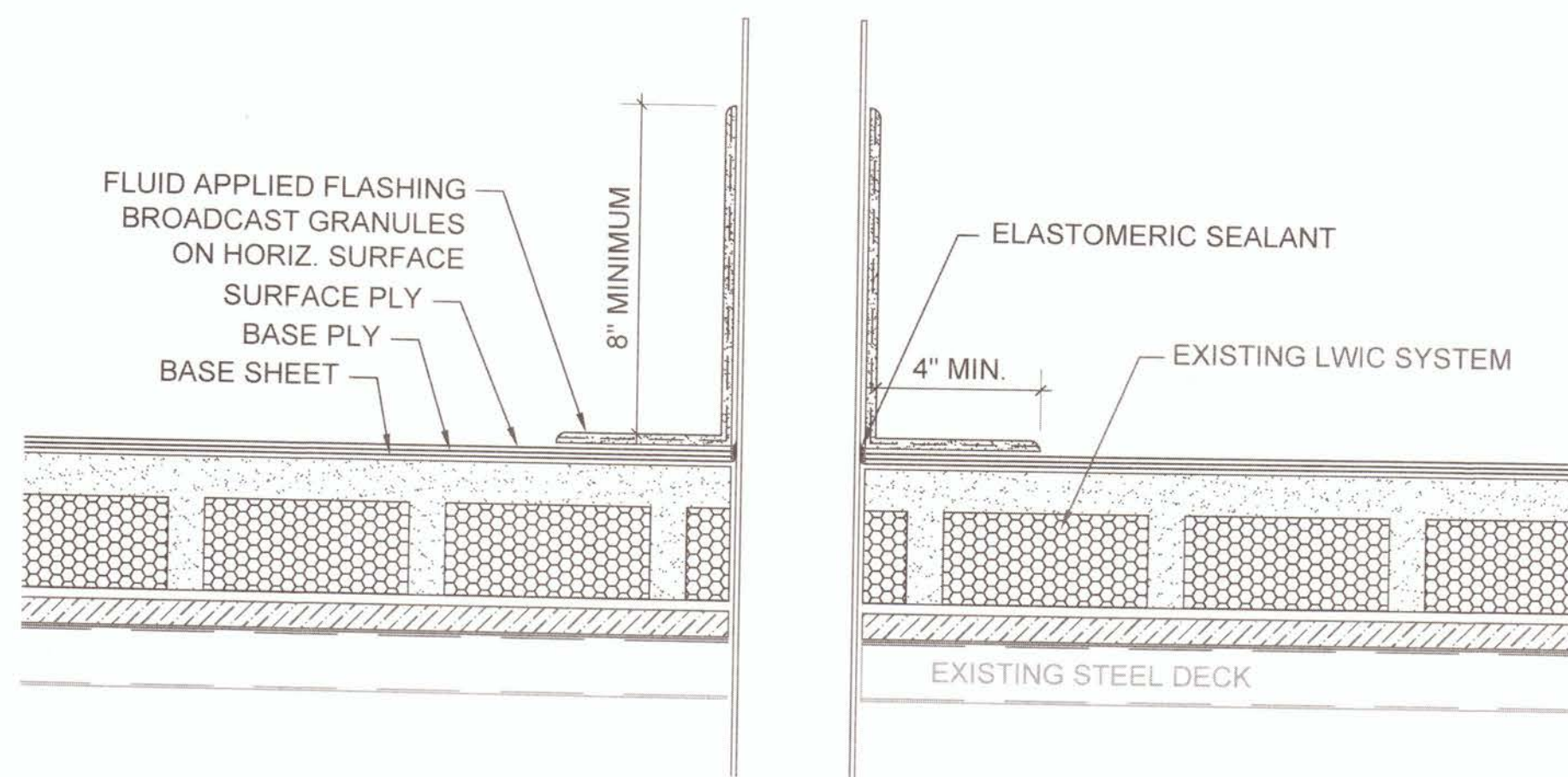


4 CURB FLASHING
SCALE: 3"=1'-0"

ROOF SYSTEM COMPONENTS BELOW BASE PLY NOT SHOWN FOR CLARITY. REFER TO ROOF SYSTEM DRAWINGS AND APPLICABLE SPECIFICATION SECTIONS FOR ROOF SYSTEM COMPONENTS AND DECK TYPE.



7 ROOF SYSTEM
SCALE: NOT TO SCALE



8 PIPE PENETRATION
SCALE: 3"=1'-0"

REI
ENGINEERS
10150 HIGHLAND MANOR DR
SUITE 200
TAMPA, FL 33610
813.944.2137

ROOFING, WATERPROOFING
AND BUILDING ENVELOPE
ENGINEERS & CONSULTANTS
CERTIFICATE NO. C-1520



**IRC-1838 INDIAN RIVER COUNTY MAIN LIBRARY
ROOF REPLACEMENT**
1600 21st STREET
VERO BEACH, FL 32960
REI PROJECT# 019TPA-027

REVISION #	REVISION DATE
1	
2	
3	
4	

DRAWN BY: M. RENNINGER
SCALE: AS NOTED
DATE: 12-04-2019

DRAWING:
D2
ROOF DETAILS