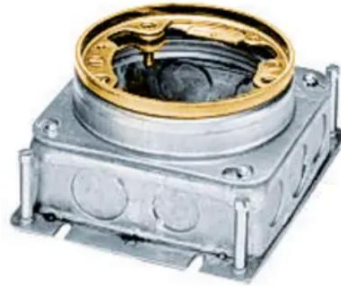


NVHS Kitchen flooring project (Electrical) scope

1. LOTO all electrical from proposed demo area and verify they are deenergized
2. Plastic sheet off all kitchen entryways and equipment from dust of demo
3. Remove existing power poles and work with CVUSD to determine where to relocate those lines so they can be transferred to the underground runs.
4. Layout, sawcut and demo existing concrete and drywall as needed to remove, relocate and/or add new/existing electrical to new server line design.
5. Remove and dispose of concrete and miscellaneous debris
6. Recompact with crush base
7. Reroute existing/ and or new electrical and data conduit to new locations using specified floor boxes and schedule 40 PVC conduit.
8. Hot and cold speedlines need dedicated breakers. The (2) POS stations can share power.
9. Repair and replace any existing conduit and wire that was damaged during the scope and was not in the scope of work
10. Dowel existing concrete flooring using rebar dowels and epoxy to match size of existing/demoed rebar.
11. Allow 1/2 day for inspection by CVUSD. Provide at least one day's notice of readiness to inspect.
12. Repair and/or replace any corrections as needed
13. Repair any drywall that may be necessary
14. Layout new rebar mat over new conduit and around new boxes
15. Verify wire size and pull cabling for electrical and Cat 6 UTP solid core (two Cat 6 cables for each POS Station) as needed and seal boxes for concrete pour
16. Pour specified concrete mix. Non shrink 5000 psi strength at 28 days
17. Verify and install finish trim for electrical and data
18. Cover any existing boxes left in place with new blank covers
19. Set adjustable trim 1/4 inch above new concrete, allow for adjustability up or down as needed for the new flooring
20. Provide permanent labeling on all new receptacle and data covers and correct panel schedules as needed, label maker labels are acceptable for this project.
21. Allow 1/2 day for inspection by CVUSD. Provide at least one day's notice of readiness to inspect.
22. Repair and/or replace any corrections as needed on punch list
23. Clean and stockpile/remove debris daily as agreed upon

Specified Material (CVUSD List)



1-Gang, Round, Galvanized Stamped Steel Box, Deep, Fully Adjustable, Single Service, Brass

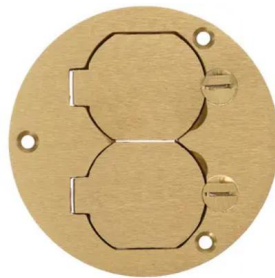
Top

Attachment A



1-Gang Cover, Round, 2-1/8" Threaded Opening, Brass

Attachment B



1-Gang Cover, Round, Duplex Flaps, Brass

Attachment C



[Straight Blade Devices, Receptacles, Flush Mount Single, Commercial/Industrial Grade, Reinforced Thermoplastic Polyester, 30A 125V, 5-30R](#)

Attachment D



[Straight Blade Devices, Receptacles, Duplex, Industrial Grade, 2-Pole 3-Wire Grounding, 20A 125V, 5-20R](#)

Attachment E



2-Port Insert

[QuickPort Duplex Type 106 Insert, 2-Port, White](#)

Attachment F



[EXTREME™ Cat 6 QUICKPORT™ Jack, Orange](#)

Attachment G

NVHS Flooring Project
Spec Sheet
Attachment A

1-Gang, Round, Galvanized Stamped Steel Box, Deep, Fully Adjustable, Single Service, Brass Top

By Hubbell Wiring Device-Kellems

Catalog ID: B2527



By Hubbell Wiring Device-Kellems

Catalog ID: B2527

Prop 65 Notice

Flush Concrete Floor Box Series, 1-Gang, Round, Galvanized Stamped Steel Box, Deep, Fully Adjustable, Single Service, Brass Top

- Stamped steel construction
- Concentric knockouts permit various conduit sizes
- Economical and light weight for above-grade applications

Fully Adjustable, PreGalvanized Stamped Steel Box;
Concentric Knock-Outs

Feedback

Product Details

General

Application	Single Service In-Floor Delivery Systems
Application - For Use On	Concrete
Color	Brass Flange
Construction	Fabricated
EU RoHS Indicator	No
Knockouts	4)1/2", 3)3/4", 1) 1", 1) 1 1/4"
Material	Galvanized Stamped Steel
Mounting Method	Cast Into Concrete

Series	Flush Round - B25 Series
Sub Brand	Flush Concrete Floor Boxes
Type	Round Galvanized Stamped Steel Box
UPC	783585101705

Dimensions

Dimensions	6 in x 4.81 in x 3.88 in
Height	3.88 in
Length	6 in
Width	4.81 in

Conductor Related

Cable Entry	From Top
-------------	----------

Certifications and Compliance

Industry Standard(s)

- UL/CSA
 - UL514
-

Logistics

Carton Quantity

4

NVHS Flooring Project
Spec Sheet
Attachment B

1-Gang Cover, Round, 2-1/8" Threaded Opening, Brass

By Hubbell Wiring Device-Kellems
Catalog ID: S2925



By Hubbell Wiring Device-Kellems

Catalog ID: S2925

Prop 65 Notice

Flush Concrete Floor Box Series, 1-Gang Cover, Round, 2-1/8" Threaded Opening, Brass

- Flush Round Floorbox Cover
- Single Gang
- Brushed Brass Finish, Mounting Hardware Included

Standard Product

Feedback

Product Details

General

Application	In-Floor Delivery Systems
Application - For Use On	Carpet; Tile; Concrete; Wood
Color	Brass
Construction	Machined
EU RoHS Indicator	Yes
Finish Type	Brass
Item Type	Round Cover
Material - Mounting Hardware	Screw Mounting

Mounting Method	Screw Mount
Number Of Outlets	2 1/8"
OEM Brand Name	Hubbell Wiring Device-Kellems
Series	Flush Round - B24 Series
Sub Brand	Flush Concrete Floor Boxes
Type	Round Cover
UPC	783585119700

Dimensions

Dimensions	3.87 in x 3.87 in x 0.156 in
Display Size	3.88" Dia
Height	0.156 in

Length	3.87 in
--------	---------

Width	3.87 in
-------	---------

Certifications and Compliance

Industry Standard(s)	<ul style="list-style-type: none">• UL/CSA• UL514
----------------------	--

Logistics

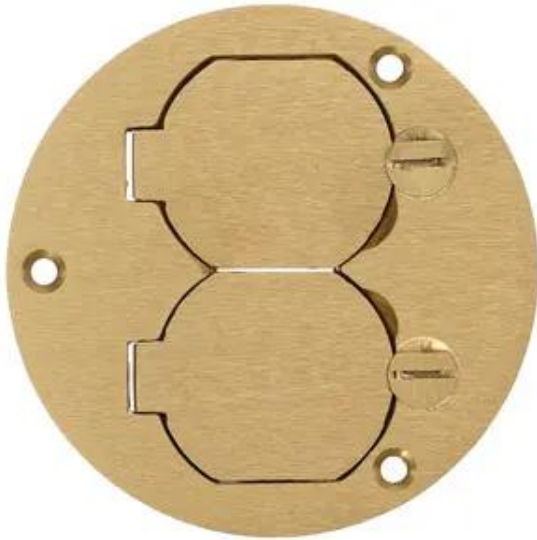
Carton Quantity	10
-----------------	----

NVHS Flooring Project
Spec Sheet
Attachment C

1-Gang Cover, Round, Duplex Flaps, Brass

By Hubbell Wiring Device-Kellems

Catalog ID: S3925



By Hubbell Wiring Device-Kellems

Catalog ID: S3925

Prop 65 Notice

Flush Concrete Floor Box Series, 1-Gang Cover, Round, Duplex Flaps, Brass

- Flush Round Floorbox Cover
- Single Gang
- Brushed Brass Finish, Mounting Hardware Included

Standard Product

Feedback

Product Details

General

Application	In-Floor Delivery Systems
Application - For Use On	Carpet; Tile; Concrete; Wood
Color	<ul style="list-style-type: none">• Brass• Laiton
Construction	Machined
EU RoHS Indicator	Yes
Finish Type	Brass
Item Type	Round Cover
Material - Mounting Hardware	Screw Mounting
Mounting Method	Screw Mount
Number Of Outlets	Duplex Flap
OEM Brand Name	Hubbell Wiring Device-Kellems

Series	<ul style="list-style-type: none">• Flush Round - PFB Series• Flush Round - B25 Series• Flush Round - B24 Series
--------	--

Sub Brand	Flush Concrete Floor Boxes
-----------	----------------------------

Type	Round Cover
------	-------------

UPC	783585124100
-----	--------------

Dimensions

Dimensions	3.875 in x 3.87 in x 0.15 in
------------	------------------------------

Display Size	3.88" Dia
--------------	-----------

Height	0.15 in
--------	---------

Length	3.875 in
--------	----------

Width	3.87 in
-------	---------

Certifications and Compliance

Industry Standard(s)

- UL/CSA
 - UL514
-

Logistics

Carton Quantity

10

NVHS Flooring Project
Spec Sheet
Attachment D

Straight Blade Devices, Receptacles, Flush Mount Single, Commercial/Industrial Grade, Reinforced Thermoplastic Polyester, 30A 125V, 5-30R

By Bryant
Catalog ID: 9530FR



By Bryant

Catalog ID: 9530FR

Straight Blade Devices, Receptacles, Flush Mount Single, Commercial/Industrial Grade, Reinforced Thermoplastic Polyester, 30A 125V, 2-Pole 3-Wire Grounding, 5-30R, Black, Single Pack

Standard Product

Feedback

Product Details

General

Application	Industrial Grade
Color	Black
Environmental Conditions	Indoor Dry Unless Protected By Additional Means
Item Type	Single
Material - Mounting Hardware	Screw Mounting
Number Of Poles	2-Pole
OEM Brand Name	Hubbell Bryant
Series	Heavy Duty
Style	Smooth Face
Type	Single Receptacle
UPC	781786676732

Dimensions

Display Size

Standard Sized Product

Weight

0.4 lb

Electrical Ratings

Amperage Rating

30 A

Connectivity

Pressure Terminal Screws

Current / Amperage Rating

30 A

Current Rating

30 A

Phase

Single Phase

Voltage Rating

125 V

Voltage Rating Description

125 V

Wattage

3750

Conductor Related

Number Of Wires 3-Wire

Wire Size #10 AWG to #6 AWG

Certifications and Compliance

Nema Rating 5-30R

Logistics

Carton Quantity 25

NVHS Flooring Project
Spec Sheet
Attachment E

Straight Blade Devices, Receptacles, Duplex, Industrial Grade, 2-Pole 3-Wire Grounding, 20A 125V, 5-20R, Brown, Single Pack

By Hubbell Wiring Device-Kellems

Catalog ID: HBL5362



By Hubbell Wiring Device-Kellems

Catalog ID: HBL5362

Straight Blade Devices, Receptacles, Duplex, Industrial Grade, 2-Pole 3-Wire Grounding, 20A 125V, 5-20R, Brown, Single Pack

HBL® Extra Heavy Duty Max Industrial Series - Hubbell's commitment to quality continually reinforces a philosophy of unrivaled performance. No Hubbell device exemplifies this philosophy more than the HBL5262. While all Hubbell receptacles are designed and manufactured to withstand even the harshest environments, none match the total performance of the HBL5262. Whether in a factory, office building or school, the Hubbell HBL5262 is the receptacle of choice when people are depending on the safety and reliability of a receptacle. The safest, most reliable design for a low resistance flow of fault currents. Oversized "bell" shaped

Feedback

ground contacts, along with nickel plated steel retaining shields, help minimize damage to the grounding system during abrupt pullout.

- Back wired ground terminal allows faster, easier installation
- One-piece brass integral ground strap
- Finder Groove Face
- Deep body design with circuit ID face

Self Grounding

Product Details

General

Application

Extra Heavy Duty Specification Grade

Color

- Brun
- Marron

Environmental Conditions

Indoor Dry Unless Protected By Additional Means

Horsepower - Maximum	1
Item Type	Traditional Duplex
Material - Mounting Hardware	Screw Mounting
Number Of Poles	2-Pole
OEM Brand Name	Hubbell Wiring Device-Kellems
Operating Temperature	Maximum continuous 75°C and minimum -40°C without Impact

Performance

- Electrical - Current Interrupting - Certified for current interrupting at full rated current
- Electrical - Dielectric Voltage - Withstands 2,000V minimum
- Environmental - Flammability - Top: UL 94V-2, Base: UL 94V-0
- Environmental - Operating Temperatures - Maximum continuous 75°C, minimum -40°C (w/o impact)
- Mechanical - Product Identification - Ratings are a permanent part of the device
- Mechanical - Terminal Accommodation - #14-#10 AWG copper stranded or solid conductor only
- Mechanical - Terminal Identification - Terminals identified in accordance with UL 498 and CSA

Series

Extra Heavy Duty

Style

Finder Groove Face

Type

Standard Duplex

UPC

783585435220

Dimensions

Dimensions

3.28 in x 1.65 in x 1.19 in

Display Size

Standard Sized Product

Height

1.19 in

Length

3.28 in

Weight

0.25 lb

Width

1.65 in

Electrical Ratings

Amperage Rating

20 A

Connectivity

Back and Side Wired Screw Terminals

Current / Amperage Rating	20 A
Current Rating	20 A
Dielectric Strength	Withstands 2,000V minimum
Phase	Single Phase
Voltage Rating	125 VAC
Voltage Rating Description	125 V
Wattage	2500 W

Conductor Related

Number Of Wires	3-Wire
Wire Size	#14 AWG to #10 AWG

Certifications and Compliance

Industry Standard(s)

- Certified to CSA 22.2, No. 42 File 285
- Fed. Spec. W-C-596
- NEMA® WD-6 Compliant
- UL Listed to UL498 File No. E2186

Nema Rating

5-20R

Logistics

Carton Quantity

10

NVHS Flooring Project
Spec Sheet
Attachment F

QuickPort® Duplex Type-106 Inserts

APPLICATION

QuickPort Duplex Type-106 Inserts accept all individual QuickPort snap-in modules (sold separately). Use to support multimedia applications where a flush-mount electrical-wallplate look is desired, or where there will be multiple devices—or a combination of electrical and voice/data devices—under a multi-gang wallplate. Available in ivory, light almond, white, grey, and black.



4-Port Insert

2-Port Insert

SPECIFICATION

The workstation connector housing shall be a field-configurable NEMA-style housing that mounts flush in standard NEMA openings, and under standard duplex electrical wallplates in single or multiple gangs. It shall provide ports which are field configurable with a variety of simplex snap-in connector modules. The insert shall be constructed of high-impact, fire-retardant plastic rated UL 94V-0, and be UL Listed, and compliant with ANSI/TIA-568-C.0 specifications. Colors, configurations, and related wallplates to be specified per schedule on plan. The manufacturer shall provide a one-year limited product warranty and 15-year product performance guarantee. The manufacturer shall provide a lifetime warranty against defects in material and workmanship, and an application guarantee when installed as part of a certified system.

FEATURES

- Fits within minimum NEMA openings
- Compatible with all individual QuickPort modules
- Brass-threaded insert for wallplate screw facilitates installation
- Narrow module width allows high port density in a small area
- The Quad 106 features a built-in termination station which stabilizes connectors during punchdown
- Fits Decora® and duplex wallplates

DESIGN CONSIDERATIONS

- Use where a flush-mount electrical-style wallplate look is desired
- Fits most locations where NEMA duplex opening exists (including floor monuments, access floor boxes, power poles, poke-through fixtures, etc.)
- If ganged with electrical devices, a barrier box must be used
- Put blanks (41084-BxB) in unused ports for future expansion
- Specify port identification method (colored modules, designation labels, and custom silk-screening are available). To ID ports, use different colored connectors for each application, or Leviton pre-printed Port Designation Labels (41080-LEB)

STANDARDS COMPLIANCE

- 4-Port Insert: UL Listed, CSA certified, and ANSI/TIA-568-C.0
- 2-Port Insert: cULus listed and ANSI/TIA-568-C.0

PHYSICAL SPECIFICATIONS

- Dimensions: See page two
- Materials: High-impact, fire-retardant plastic rated UL 94V-0
- Capacity: Two or four ports

COUNTRY OF ORIGIN

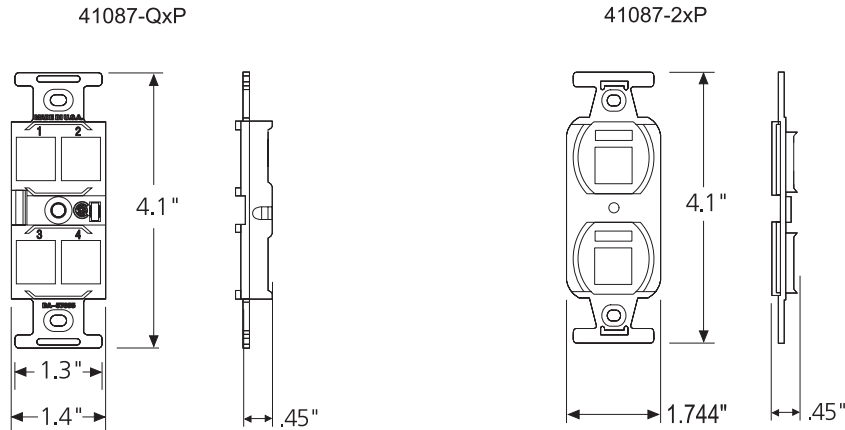
- 4-Port Insert: Mexico
- 2-Port Insert: USA

WARRANTY INFORMATION

For a copy of Leviton product warranties, visit www.leviton.com/warranty.

ELECTRONIC FILES

For CAD files, typical specs, or technical drawings (.DXF, .DWG), visit www.leviton.com.



41087-xxP

PART NUMBERS

Description	IVORY	LT. ALMOND	WHITE	GREY	BLACK
QuickPort® Duplex Type-106 Insert, 2 Ports	41087-2IP	41087-2TP	41087-2WP	41087-2GP	41087-2EP
QuickPort Duplex Type-106 Insert, 4 Ports	41087-QIP	41087-QTP	41087-QWP	41087-QGP	41087-QEP

Note: QuickPort snap-in connector modules and duplex electrical wallplates are sold separately. Please refer to the QuickPort connector spec sheets and the Leviton catalog for ordering information.



Leviton Network Solutions
2222 - 222nd St. SE
Bothell, WA 98021-4416

Asia / Pacific
T +1.631.812.6228
E infoasean@leviton.com

Canada
T +1.514.954.1840
E pcservice@leviton.com

Caribbean
T +1.954.593.1896
E info@caribbean@leviton.com

China
T +852.2774.9876
E infochina@leviton.com

Colombia
T +57.1.743.6045
E info@colombia@leviton.com

tel 1-800-824-3005
tel +1-425-486-2222
appeng@leviton.com
www.leviton.com

Europe
T +33.6.8869.1380
E info@europe@leviton.com

India / SAARC
T +971.4.886.4722
E info@india@leviton.com

Mexico
T +52.55.5082.1040
E info@marketing@leviton.com

Middle East & Africa
T +971.4.886.4722
E info@meinfo@leviton.com

South Korea
T +82.2.3273.9963
E info@korea@leviton.com

NVHS Flooring Project
Spec Sheet
Attachment G

EXTREME™ Cat 6 Component-Rated UTP QUICKPORT™ Jack

APPLICATION

The EXTREME Cat 6 jack is designed to be used with all QUICKPORT compatible products. The jack includes patented Retention Force Technology™ which promotes consistent performance over the life of the system. It features unique pair separation towers allowing for quicker and easier terminations. The jack is built on a 180-degree configuration with the punch field in the back, allowing for rear termination.



SPECIFICATION

The jack shall meet or exceed the requirements for channel and component-level electrical transmission performance as described in ANSI/TIA-568.2-D (Cat 6), ISO/IEC 11801-1 (Class E), and EN 50173-1 (Class E). The jack shall be compliant with ANSI/TIA-1096-A, cULus listed, and be independently verified for electrical transmission performance and power delivery. In addition to Category 6 compliance, the jack shall have the ability to support high megabit and shared-sheath applications. All plastics used in construction of the jack bodies shall be fire retardant with a UL flammability rating of 94V-0. Termination of all jacks shall be 110-type insulation displacement connectors (IDC). The jack shall provide a ledge directly adjacent to the 110-style termination against which the wires can be terminated and cut in one action by the installation craftsman. Jack wiring is universal and will accommodate installation color codes for T568A and T568B wiring schemes. The jack shall be individual snap-in style and the termination field shall be in the rear for easy access. The jack shall include a snap on dust cap with high pullout force and shall fit in a variety of telecommunications wallplates, outlets, and field-configurable patch panels and patch blocks. It shall exceed IEEE 802.3bt standard up to 0.5 amps per conductor (100 watts) continuously.

FEATURES

- Terminates 26 to 22 AWG solid conductors and 24 to 22 AWG stranded conductors
- Terminates 26 AWG stranded conductors up to 5 times
- Capable of multiple re-terminations
- Gas-tight IDC jacks prevent corrosion
- Dual-layer T568B/T568A wiring label simplifies punchdown
- Patented Retention Force Technology protects tines from damage and increases system longevity
- Pair Separation Tower design facilitates separation of conductors and minimizes untwisting
- 180-degree configuration allows for rear termination
- Available in 13 ANSI/TIA-606-C compatible colors for color coding or organization
- Available individually, in bulk packages of 25, and in bulk packages of 150 with a JackRapid™ Punchdown Tool
- Select colors available in 200 pack Sustainably Smart Packaging that uses no single-use plastic and is fully recyclable
- Will exceed IEEE 802.3bt standard up to 0.5 amps per conductor (100 watts) continuously
- ETL verified to meet the IEC 60512-99-002 standard for support of IEEE 802.3bt Type 4 PoE (90-watt) applications

DESIGN CONSIDERATIONS

- Use in any QUICKPORT housing to support EXTREME Cat 6 UTP connectivity in surface-mount, flush-mount, or modular furniture outlets and field-configurable panels
- Can be used in conjunction with other QUICKPORT snap-in modules for voice/data and video applications over UTP, coax, and fiber

STANDARDS & REGULATIONS

- ANSI/TIA-568.2-D (Cat 6)
- ISO/IEC 11801-1 (Cat 6)
- EN 50173-1 (Cat 6)
- ANSI/TIA-1096-A (formerly FCC Part 68)
- IEC 60512-99-002
- IEC 60603-7 (includes IEC 60512-5-2)
- cULus Listed (UL 1863)
- UL 2043 Plenum Certified
- IEEE 802.3bt PoE Type 1, 2, 3, 4 (90 watts max)
- Cisco UPOE, UPOE+ (90 watts max)
- Power over HDBaseT™ PoH (95 watts max)

COUNTRY OF ORIGIN

USA

61110-xx6

PRODUCT SPECIFICATIONS

61110-xx6

MECHANICAL SPECIFICATIONS

Dimensions: See below

Materials: **Connector Body:** High-impact, fire-retardant plastic rated UL 94V-0.

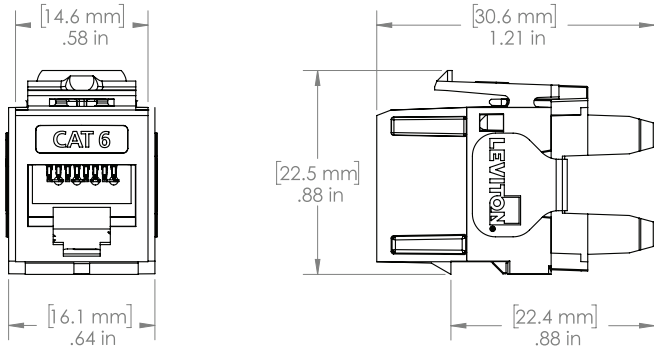
Spring-Wire Contacts: High-quality, copper-based alloy, plated with 50 microinches of gold over 100 microinches of nickel for lowest contact resistance, maximum life.

Temperature (Storage): -40 °C to +70 °C
 Temperature (Installation): Refer to cable installation temperature
 Temperature (Operating): -10 °C to +60 °C

WARRANTY INFORMATION

For Leviton product warranties, go to leviton.com/ns/warranty

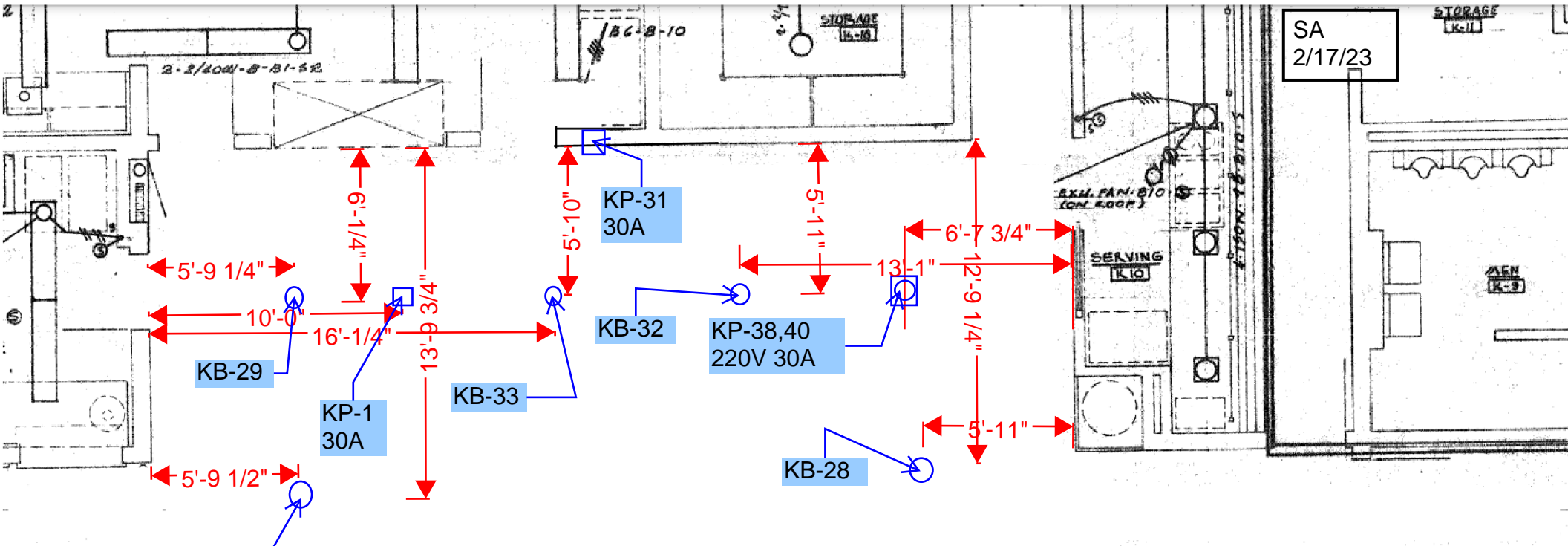
61110-xx6



PART NUMBERS

Description	Jack	QuickPack™ 25/Bag	150/Bag with JackRapid™ Tool	200/Bag
EXTREME™ Cat 6 Component-Rated UTP QUICKPORT™ Jack, white	61110-RW6	61110-BW6	61110-JW6	61110-2W6
EXTREME Cat 6 Component-Rated UTP QUICKPORT Jack, ivory	61110-RI6	61110-BI6	61110-JI6	—
EXTREME Cat 6 Component-Rated UTP QUICKPORT Jack, orange	61110-RO6	61110-BO6	61110-JO6	—
EXTREME Cat 6 Component-Rated UTP QUICKPORT Jack, blue	61110-RL6	61110-BL6	61110-JL6	—
EXTREME Cat 6 Component-Rated UTP QUICKPORT Jack, black	61110-RE6	61110-BE6	61110-JE6	61110-2E6
EXTREME Cat 6 Component-Rated UTP QUICKPORT Jack, light almond	61110-RT6	61110-BT6	61110-JT6	—
EXTREME Cat 6 Component-Rated UTP QUICKPORT Jack, gray	61110-RG6	61110-BG6	61110-JG6	—
EXTREME Cat 6 Component-Rated UTP QUICKPORT Jack, crimson	61110-RC6	61110-BC6	61110-JC6	—
EXTREME Cat 6 Component-Rated UTP QUICKPORT Jack, yellow	61110-RY6	61110-BY6	61110-JY6	—
EXTREME Cat 6 Component-Rated UTP QUICKPORT Jack, green	61110-RV6	61110-BV6	61110-JV6	—
EXTREME Cat 6 Component-Rated UTP QUICKPORT Jack, purple	61110-RP6	61110-BP6	61110-JP6	—
EXTREME Cat 6 Component-Rated UTP QUICKPORT Jack, brown	61110-RB6	61110-BB6	61110-JB6	—
EXTREME Cat 6 Component-Rated UTP QUICKPORT Jack, dark red	61110-RR6	61110-BR6	61110-JR6	—

For further support information, visit leviton.com/ns/support



NVHS serving line existing condition

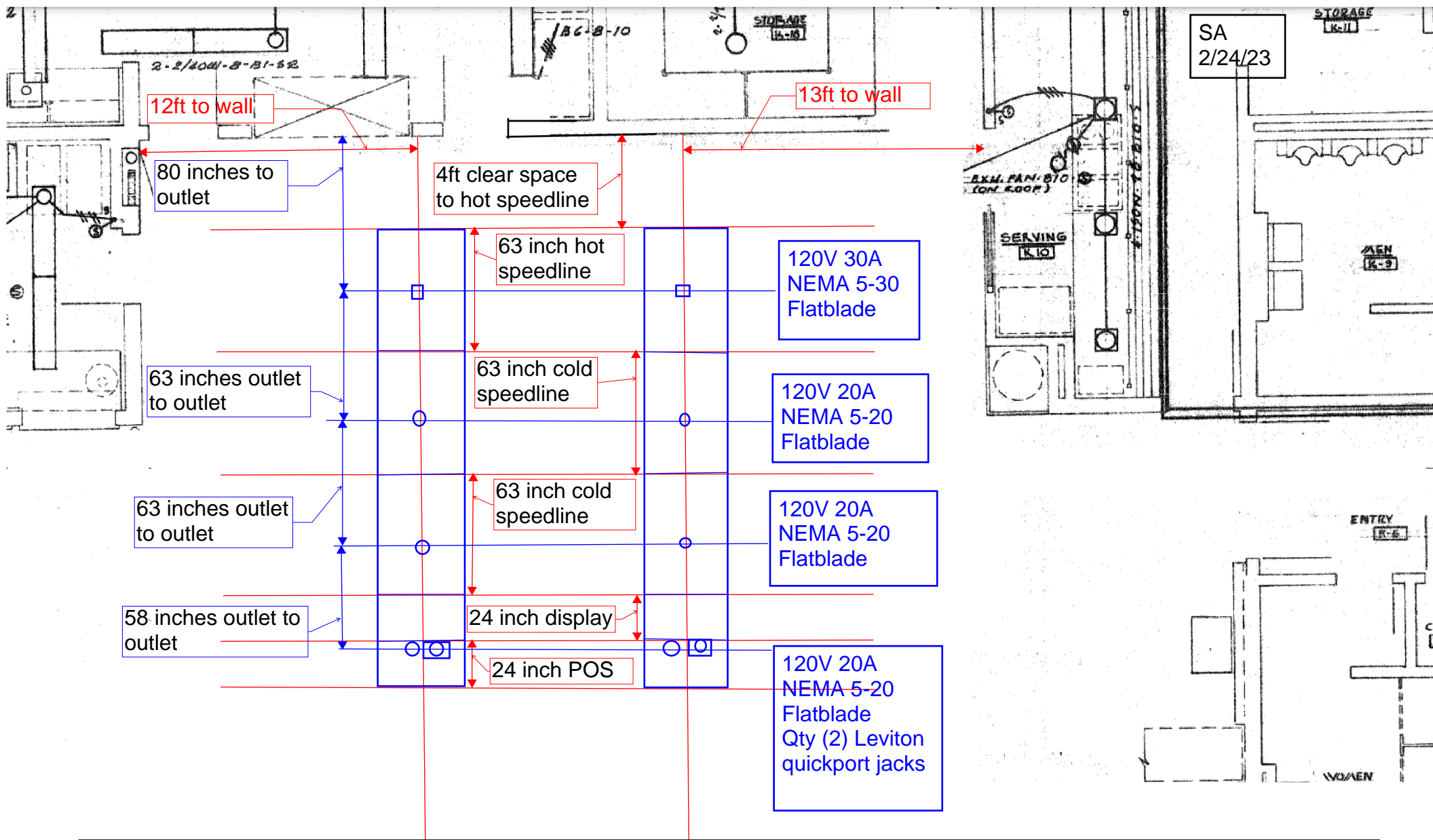
SA
2/17/23

STORAGE
K-11

MEN
K-9

ENTRY
K-6

WOMEN



(2) 120V 30A NEMA 5-30R flat blade for hot speed lines. (6) 120V 20A NEMA 5-20R flat blade for cold speed lines and POS. Pathway for data at both POS locations

NVHS Serving Line Future Configuration

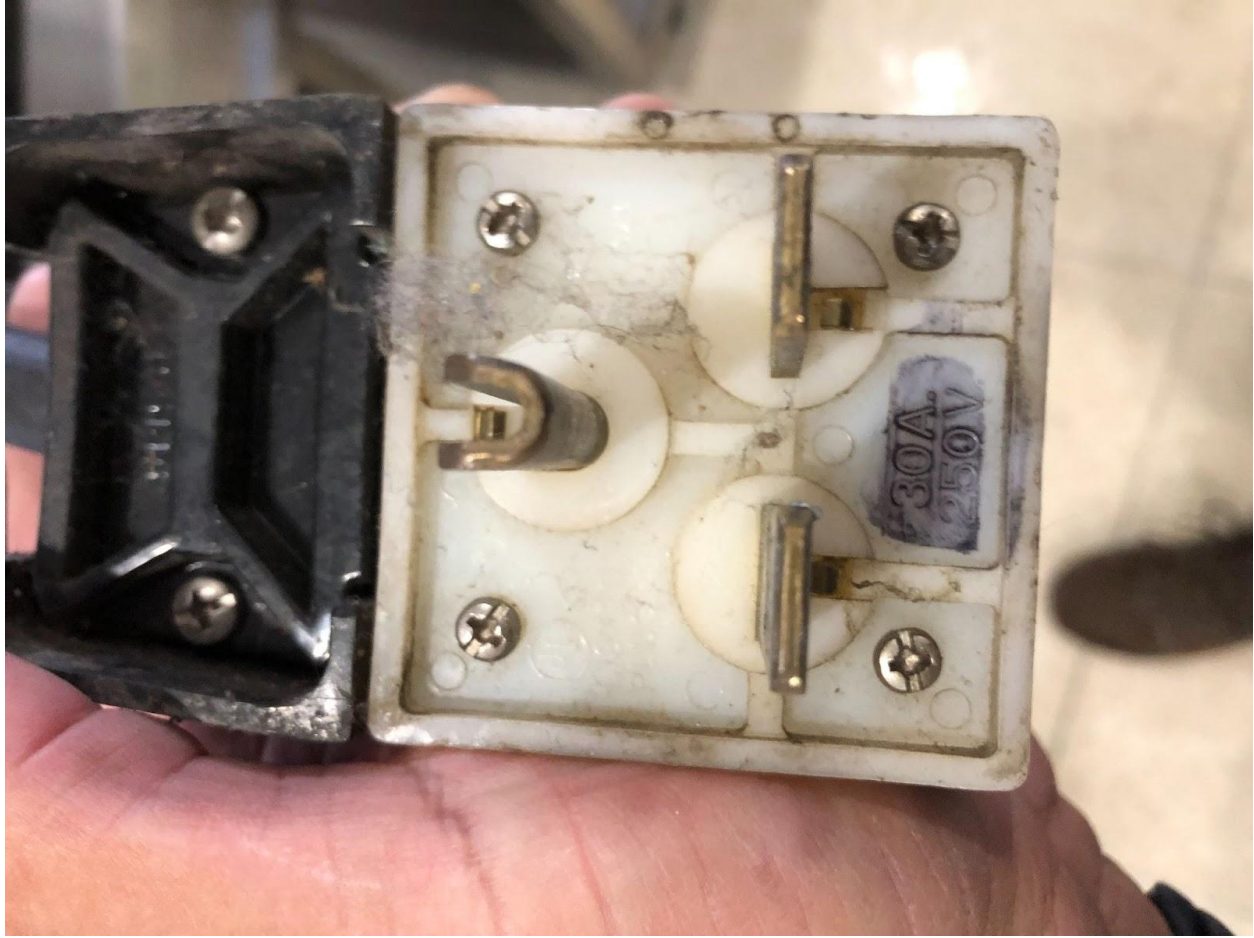
NVHS Server line photos 2/17/23









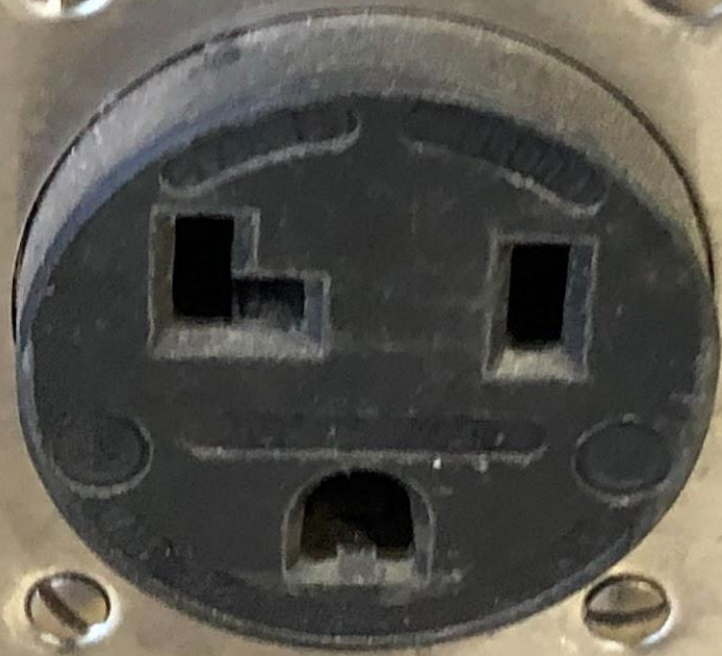








KP 31









ELECTRICAL PRODUCTS

LOS ANGELES - OAKLAND

- 1 12 Lights Kitchen
- 2 11 Lts Hood & Hand out
- 3 12 Lts Kitchen
- 4 9 Lts ^{WALK-IN Light} Storage Area
- 5 10 Lts Toilets & Recving
- 6 7 Lts Hall & Serving
- 7 10 Lts Dish Wash & Hand Ot.
- 8 Lts Serving Area
- 9 8 Lts Womens Tlt. Area
- 10 4 Lts Serving Area
- 11 5 Lts Serving & Tors Dining
- 12 5 Nite Lights - Passage
- 13 6 Lts Tors Dining
- 14 4 Outside Passage Lts
- 15 1 ~~Refrigerator~~ ^{Selwyn's Freezer} E. Kitchen
- 16 1 Rec. Ice Cream & Hand Ot.
- 17 4 Rec. East Kitchen
- 18 Milk Cooler Hand out
- 19 East Wall Kitchen
- 20 Ice Cream Cab # 2 Hand out
- 21 Mixer Kitchen

- 22 Freezer So. West Kitchen
- 23 Disposal West Kitchen
- 24 Freezer Kitchen So East
- 25 Refrig. ^{REC} Kitchen ^{DISP ROOM} No. West
- 26 Pass thru Ref. Kitchen *
- 27 2 Dispensers Hand Out
- 28 Milk Refrig. South
- 29 " " North
- 30 6 R.c. East Area Rms
- 31 6 Rec. Serving - Kitchen
- 32 6 R.c. Tors Dining
- 33 Mixer - N. Kitchen
- 34 Exh Fan & Rec. T. Dining
- 35 2 Exh Fans
- 36 2 Fly Fans northside
- 37 Ice Cream Cab Serving
- 38 3 Fly Fans Nor. West
- 39 Coil door . Motor
- 40 3 Fly fans South
- 41 Outside F. Woods Roof
- 42 3 Fly Fan So. West

KP

Linco
ELECTRICAL PRODUCTS
2000 - 10000

No.	Description	Quantity	Unit Price	Total
1	ICE MAKER			
2	WALKIN FANS			
3	OTHER FAN			
4				
5				
6				
7				
8				
9				
10				
11				
12				
13				
14				
15				
16				
17				
18				
19				
20				
21				
22				
23				
24				
25				
26				
27				
28				
29				
30				
31				
32				
33				
34				
35				
36				
37				
38				
39				
40				
41				
42				
43				
44				
45				
46				
47				
48				
49				
50				

1

2

3

4

5

6

7

8

9

10

11

12

13

14

15

16

17

18

19

20

21

22

23

24

25

26

27

28

29

30

31

32

33

34

35

36

37

38

39

40

41

42

43

44

45

46

47

48

49

50

1

2

3

4

5

6

7

8

9

10

11

12

13

14

15

16

17

18

19

20

21

22

23

24

25

26

27

28

29

30

31

32

33

34

35

36

37

38

39

40

41

42

43

44

45

46

47

48

49

50

40EAC \$20

OUTSIDE WALK IN FREEZER

E FAN COOP

WALKIN FANS

OTHER FAN

WARM CART

PASS THRU REFRIG

Check these twice

WALKIN FANS
OTHER FAN

ICE MAKER

K P



ELECTRICAL PRODUCTS

LOS ANGELES - OAKLAND

K P

- 1 ^{NEW} Coffee Urn Kitchen
- 2 ~~1~~ HP Dish Washer
- 3 ICE MAKER
- 4 DISH WASHER MTR
- 5
- 6
- 7 1/2 HP Hood Exh. Fan, So.
- 8
- 9 other Hood Fan
- 10 Hood Exh Fan # 2
- 11
- 12
- 13 ~~1~~ **OUTSIDE FREEZER**
- 14
- 15 **OUTSIDE FREEZER**
- 16 1 HP R.f. Compressor
- 17 **OUTSIDE FREEZER**
- 18
- 19 ~~1~~ **HOT-Def Food Rm**
- 20 DAS outlet ^{outdoors} North wall
- 21 Kelvinator Freezer

- 22 Spare
- 23 Traveler Freezer #2
- 24
- 25 Hood Exh Fan-No. Kitchen
- 26 Plug Mixer
- 27 French Fryer Exh Fan
- 28 Malt Mech. ~~hand out~~
- 29 " "
- 30 " Ice Machine
- 31 Peeler in Kitchen
- 32 Fan Motor So Htr Rm
- 33 Warm Oven, Hand out
- 34 **HOT FOOD STOPS**
- 35 **Shack shop 15 AM FR**
- 36
- 37 **HOT FOOD CARTS**
- 38 **HOT FOOD MOUNTING**
- 39 **AZUSA SIGN** ~~hand out~~
- 40 **Glass Window**
- 41 **Refrigerator**
- 42