



**BID #378-21 UPFITTING OF 2021 VEHICLES FOR DAWSON COUNTY SHERIFF'S OFFICE
ADDENDUM #1**

Bid Closing Date: March 5, 2021, at 10:30AM, EST
Bid Issue Date: February 22, 2021
Addendum Due Date: March 3, 2021
By: Melissa Hawk, Purchasing Manager

The following are amendments to the IFB #378-21 Upfitting for Dawson County Sheriff's Office:

1. The vehicle for the Detailed Specifications "D" covers the equipment needed for six (6) 2021 Ford Police Interceptor Utility.
2. All dates, other specifications, terms and conditions remain the same as posted in the RFP document.

The following are questions and answers to the IFB #378-21 Upfitting for Dawson County Sheriff's Office:

QUESTION: The general conditions state no substitutions, but the Details Specifications communicate an openness to substitutions. Can you confirm you are accepting substitutions? (same or greater, of course).

ANSWER: The Detailed Specification Sheets state the products and services offered shall be the same or greater in comparison with the detailed requirements listed below, unless otherwise marked. The IFB is otherwise marked as stated under the General Conditions Section advising there are to be no substitutions.

QUESTION: For the window tint, are you needing the front doors only or the entire vehicle? Do you know what percentage the agency is requesting?

ANSWER: Legal limits as per O.C.G.A. § 40-8-73.

QUESTION: Section A, it states a gun rack, can you specify it if is a single or a double like the other vehicles?

ANSWER: Double, additional specifications to follow.

Company Name

Signature of Authorized Representative

Title

Date

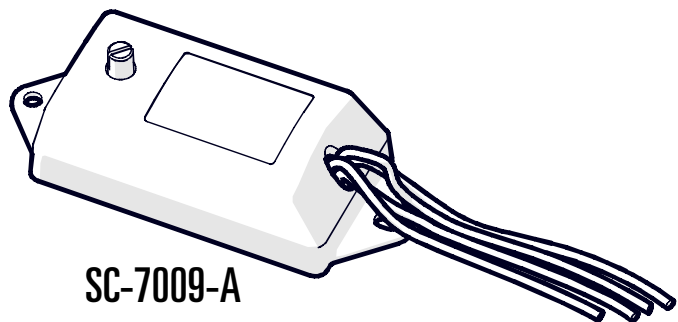
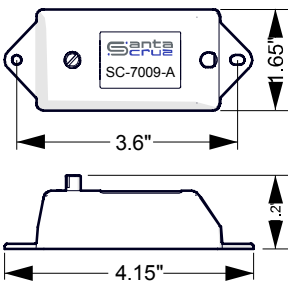
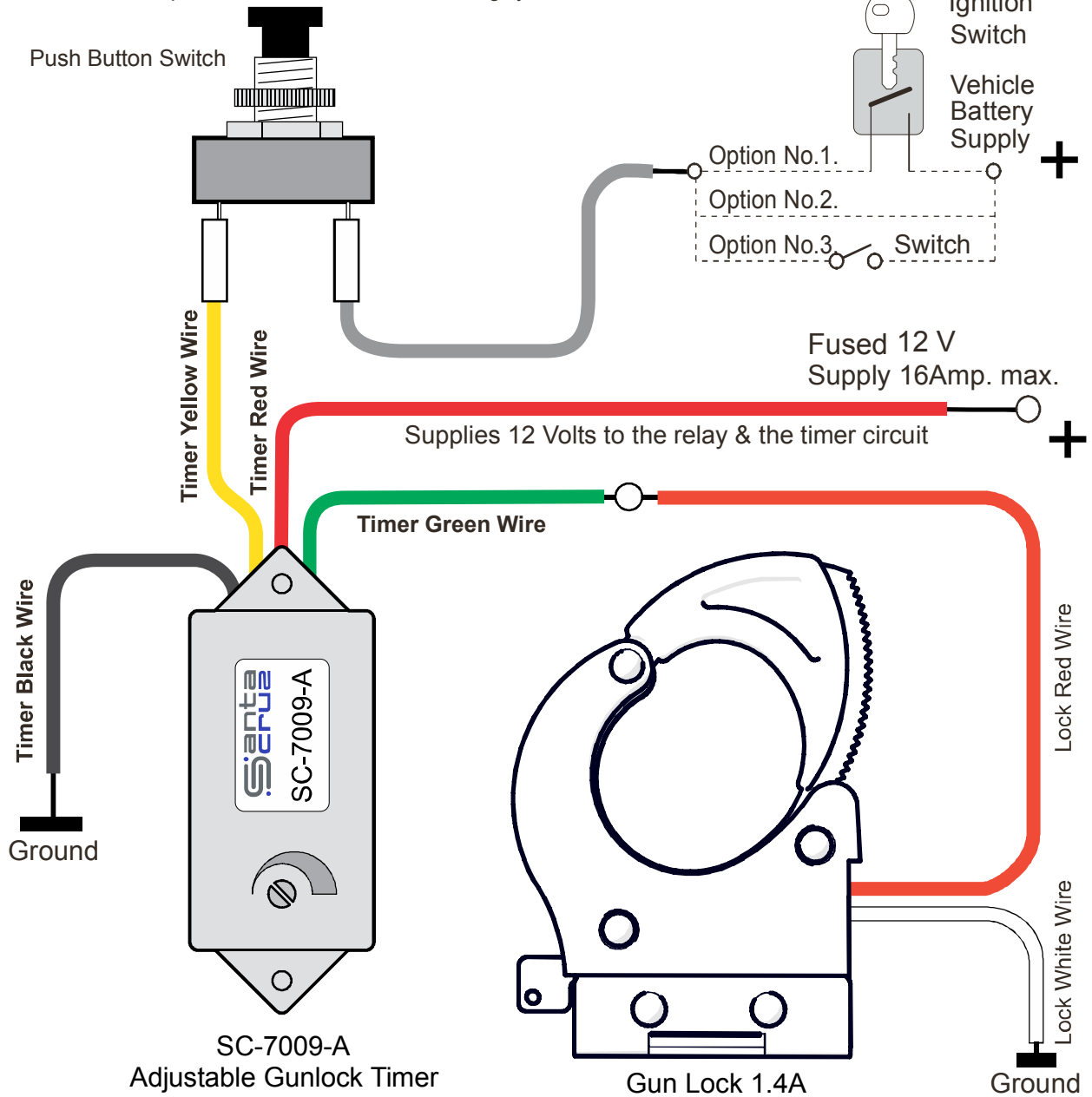
THIS DOCUMENT MUST BE COMPLETED AND SUBMITTED AS PART OF YOUR PROPOSAL

IFB #378-21 Upfitting of 2021 Vehicles for Dawson County Sheriff's Office

Timer SC-7009-A

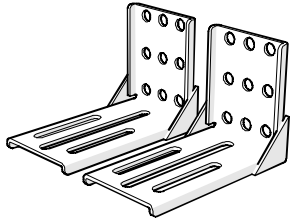
Wiring Diagram for 7009-A Timer Santa Cruz Gunlocks System

Press & release push button switch to start the timing cycle

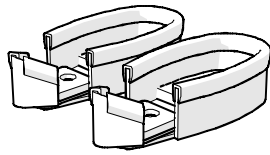


Dual Universal Rail Gun Rack SC-920-D-5-5

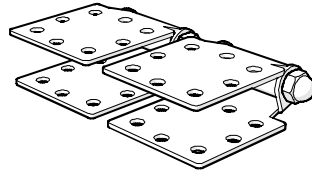
Components:



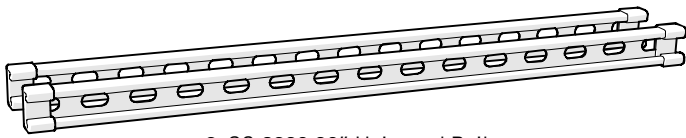
2xSC-9903 L-Bracket



2xSC-1900 Butt Plate



2xSC-9302 Mounting Hinge



2xSC-9230 30" Universal Rail



8xSC-5301 Universal Rail Nuts



14xSC-8002 Allen Head Bolt



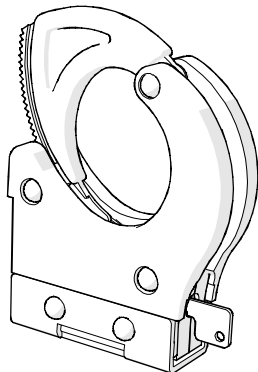
6xSC-8005 Flat Washers



6xSC-8003 Nuts

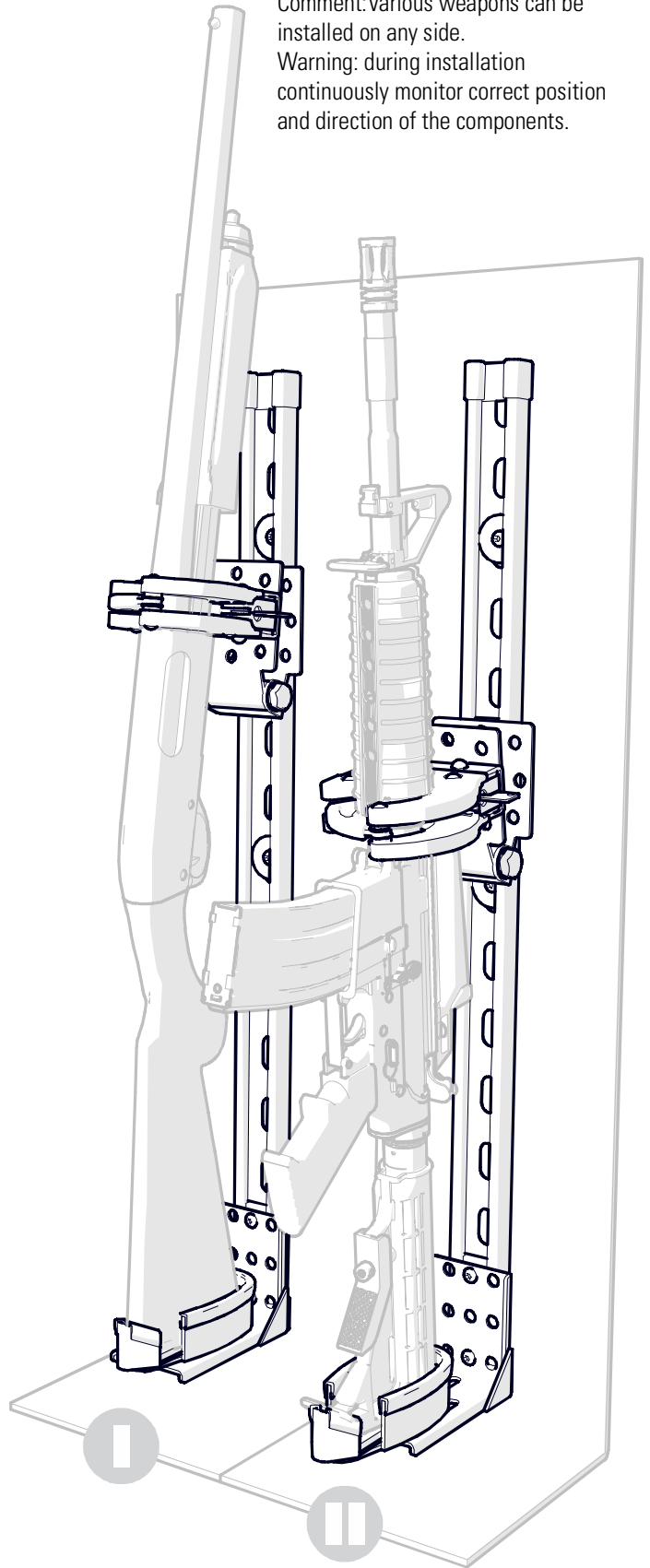


6xSC-8004 LockWashers



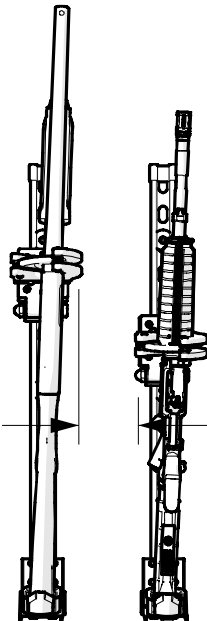
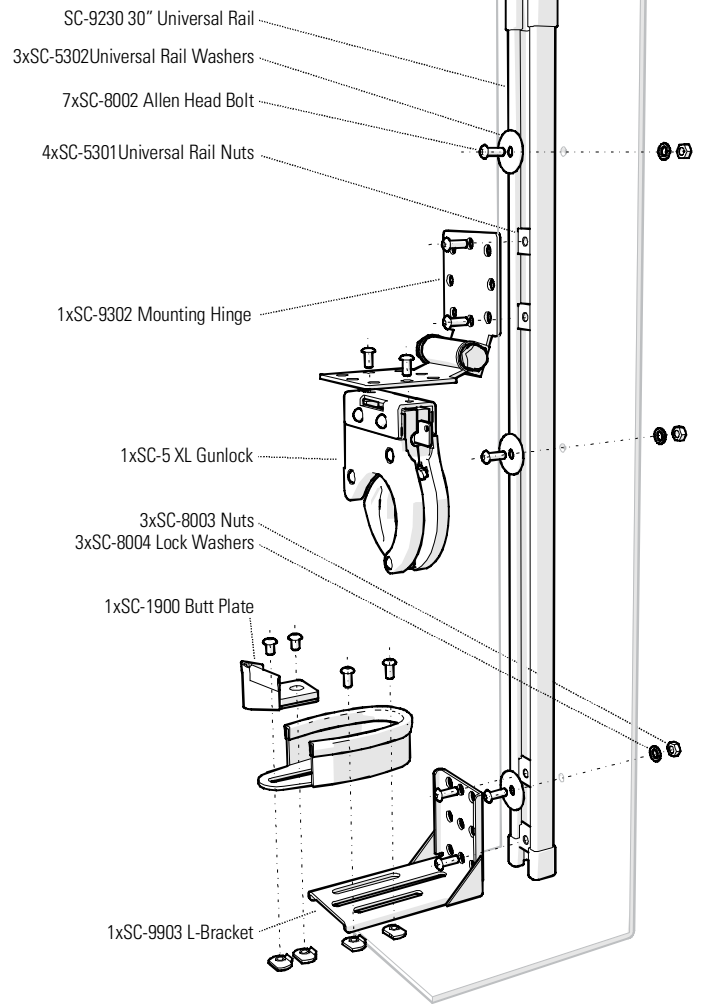
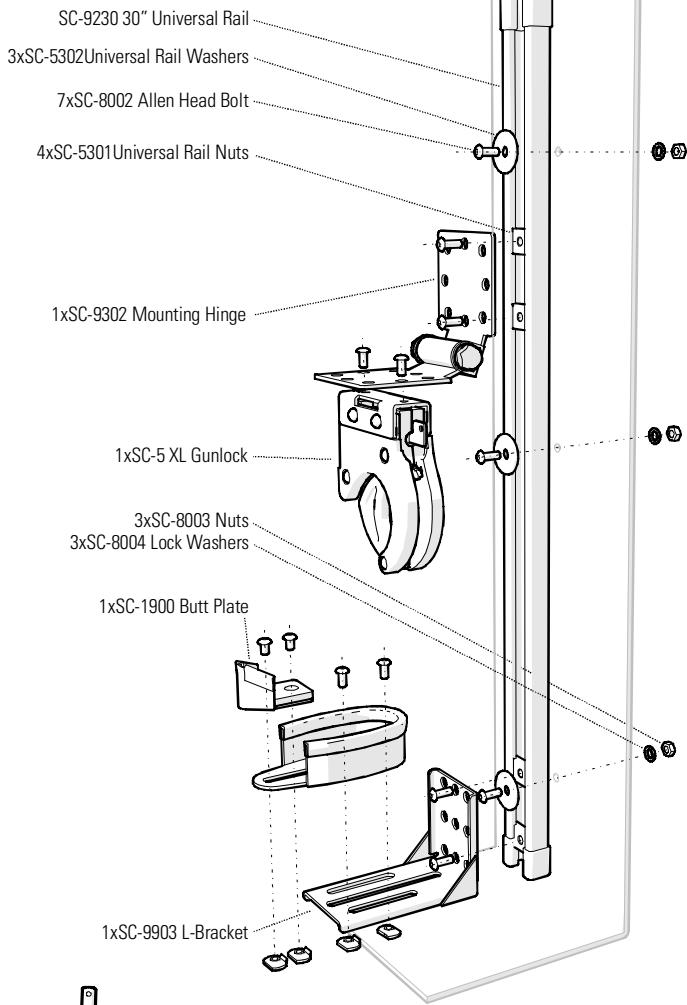
1xSC-5 XL Gunlock

Comment: Various weapons can be installed on any side.
Warning: during installation continuously monitor correct position and direction of the components.



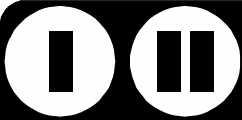
Dual Universal Rail Gun Rack SC-920-D-5-5

Exploded view:



**Check the clearance
between the two setups**

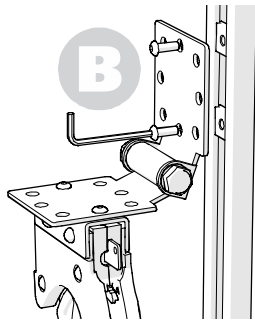
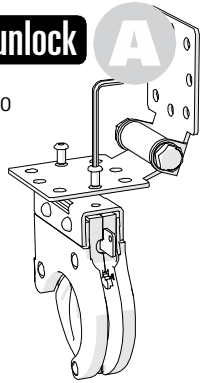




Dual Universal Rail Gun Rack SC-920-D-5-5

1 Install Gunlock

Install gun lock SC-5-XL onto hinge (A) (part No. SC-9302). Install the hinge (including SC-1) on 30" Universal Rail (B) (part No.: SC-9230).

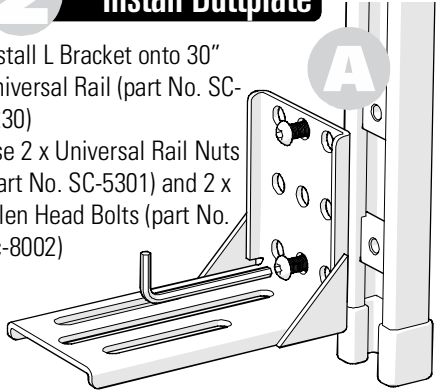


Use 2 x Universal Rail Nuts (part No. SC-5301) and 2 x Allen Head Bolts (part No. SC-8002)

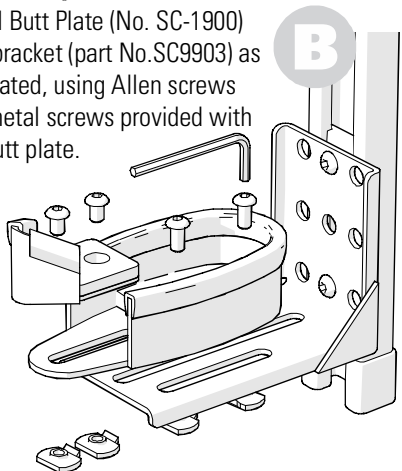
2 Install Buttplate

Install L Bracket onto 30" Universal Rail (part No. SC-9230)

Use 2 x Universal Rail Nuts (part No. SC-5301) and 2 x Allen Head Bolts (part No. SC-8002)



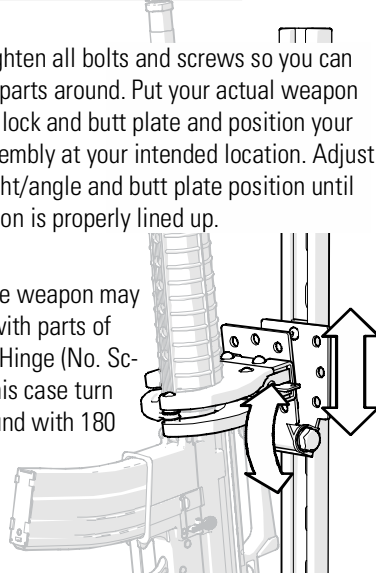
Install Butt Plate (No. SC-1900) on L-bracket (part No. SC9903) as illustrated, using Allen screws and metal screws provided with the butt plate.



3 Adjust the parts

Slightly tighten all bolts and screws so you can still move parts around. Put your actual weapon in the gun lock and butt plate and position your whole assembly at your intended location. Adjust hinge height/angle and butt plate position until your weapon is properly lined up.

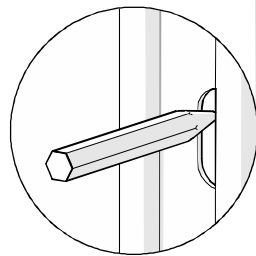
Parts of the weapon may interfere with parts of Mounting Hinge (No. SC-9302). In this case turn hinge around with 180 degree.



Warning: If you close the ratchet arm tightly on your firearm, you will have to press or tap the outer rubber surface of the ratchet arm when deploying the firearm. This will release the backup safety inside the gunlock, releasing your weapon.

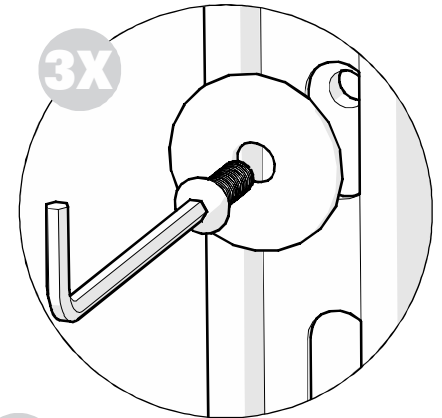
4 Mark the holes

Mark screw locations on wall/floor. Check back side of wall for fuel or electric lines.



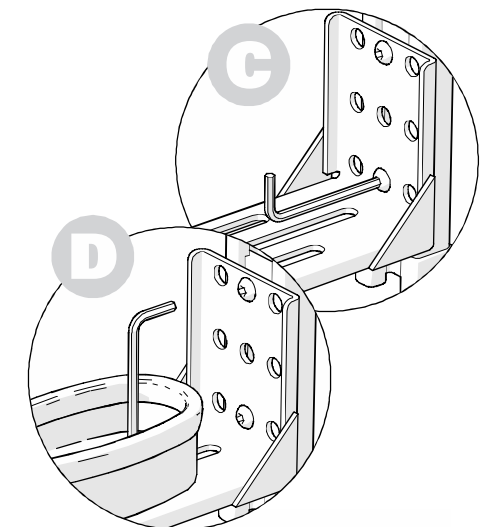
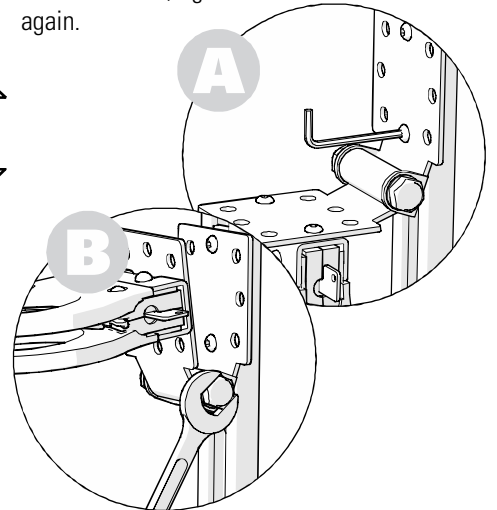
5 Drill and install

Drill your holes and install assembly.

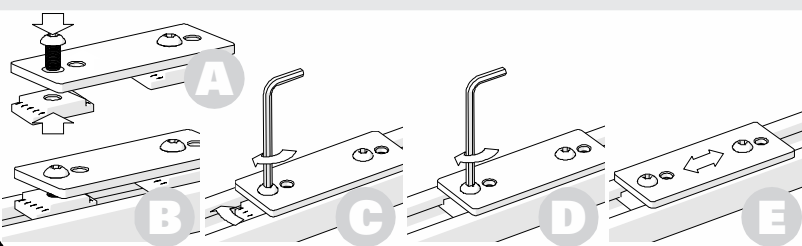


6 Tighten the Screws

Place your weapon in the setup, test and retest your installation by repeatedly inserting and removing the weapon from the assembly. When satisfied, tighten all screws and test again.



How to use the SC-5301 Universal Rail Nuts



Dual Universal Rail Gun Rack SC-920-D-5-5

Important

Should you have any problem installing or using Santa Cruz products, we are here to help you every step of the way. Just give us a call at our toll free number (800) 847-5428 and we will be glad to help you with the installation, special part request or any other way you might need assistance.

WARNING! SAFETY FIRST!
Gunlock Safety Precautions



NOTE:

Santa Cruz Gunlocks, LLC (SCG) gun racks and gunlocks are intended for temporary, secure storage of firearms. They are not substitutes for a permanent storage enclosure and only act as limited theft deterrents. And they will not prevent accidental discharge/firing of a chambered round.

To properly and safely use the SCG gun rack and/or gunlock:

- Do not use if your firearm does not fit the SCG gun rack and/or gunlock
- Never chamber a round while using a SCG gun rack and/or gunlock
- It is the responsibility of the user to operate the SCG gun rack and/or gunlock properly and safely

Santa Cruz Gunlocks, LLC (SCG) warrants this product to be free of defects in material and workmanship under normal use for one year from the date of purchase.

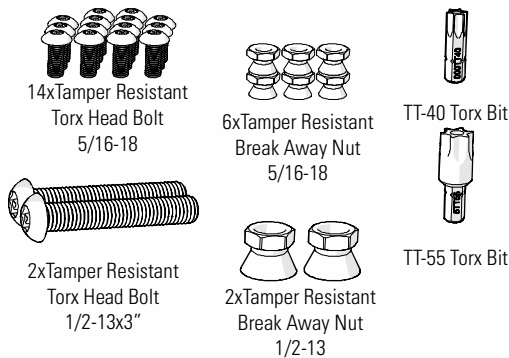
SCG makes no other express or implied warranties of the product. The purchaser's sole and exclusive remedy in the unlikely event of breach of warranty is expressly limited to, at SCG's election, repair, refurbishment, or replacement of the defective product with the same version or an upgrade or, if replacement is not possible, a refund of the purchase price.

Shipping cost to SCG must be paid by the user and SCG will pay return shipping charges. Repair parts and replacement products will be provided on an exchange base only and will be either reconditioned or new. This limited warranty does not cover damage to the product resulting from accident, disaster, misuse, abuse, negligence, improper installation or modification or repair of the product other than by SCG. Limited warranty service may be obtained by returning the product to SCG. THIS LIMITED WARRANTY IS IN LIEU OF ALL OTHER WARRANTIES, EXPRESS OR IMPLIED, INCLUDING, BUT NOT LIMITED TO, THE IMPLIED WARRANTIES OF MERCHANTABILITY AND FITNESS FOR A PARTICULAR PURPOSE. Some states, do not allow the exclusion of implied warranties, so their exclusion above may not apply to you.

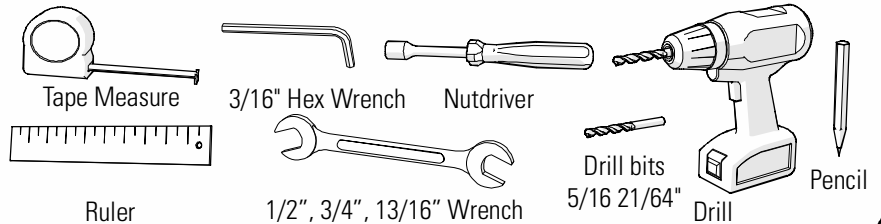
LIMITATION OF LIABILITY

NEITHER SCG NOR ITS AUTHORIZED DEALER(S) SHALL BE LIABLE FOR ANY DIRECT, INDIRECT, INCIDENTAL, SPECIAL, OR CONSEQUENTIAL DAMAGES, WHETHER IN AN ACTION IN CONTRACT OR TORT (INCLUDING NEGLIGENCE AND STRICT LIABILITY), SUCH AS, BUT NOT LIMITED TO, LOSS OF ANTICIPATED PROFITS OR BENEFITS RESULTING FROM THE USE OR NOT USE OF THE PRODUCT OR ANY BREACH OF ANY WARRANTY, EVEN IF SCG OR ITS AUTHORIZED REPRESENTATIVE HAS BEEN ADVISED OF THE POSSIBILITY OF SUCH DAMAGES. IN NO EVENT WILL SCG OR ITS AUTHORIZED REPRESENTATIVES' LIABILITY EXCEED THE PRICE PAID FOR THE PRODUCT.

Tamper resistant hardware (optional)



Tools needed for installation



Note: