

- ROADWAY PLANS
- SIGNING AND MARKING PLANS
- SIGNALIZATION PLANS
- LANDSCAPE PLANS
- STRUCTURE PLANS

INDIAN RIVER COUNTY BOARD OF COUNTY COMMISSIONERS

ROADWAY CONTRACT PLANS

66th AVENUE ROADWAY WIDENING

PHASE IB 57th STREET TO 69th STREET
INDIAN RIVER COUNTY PROJECT No. 1505
FDOT FPID 436379-1-52-01

ROADWAY SHOP DRAWINGS
TO BE SUBMITTED TO:

BRIAN GOOD, P.E.
KIMLEY-HORN AND ASSOCIATES, INC.
445 24th STREET, SUITE 200
VERO BEACH, FL 32960
(772) 794-4100

PLANS PREPARED BY:

Kimley»Horn

445 24th STREET, SUITE 200
VERO BEACH, FL 32960
(772) 794-4100
PROJECT NUMBER: 04703504I
CERTIFICATE OF AUTHORIZATION: 00000696

ROADWAY PLANS
ENGINEER OF RECORD: BRIAN GOOD
P.E. NO. 56939

NOTE: THE SCALE OF THESE PLANS MAY
HAVE CHANGED DUE TO REPRODUCTION.

BID PLANS
DECEMBER 2020

ALL ELEVATIONS REFERENCED HEREIN ARE
REFERENCED TO THE NATIONAL GEODETIC VERTICAL
DATUM OF 1929 (NGVD-29).

THESE PLANS HAVE BEEN PREPARED IN ACCORDANCE
WITH AND ARE GOVERNED BY THE STATE OF FLORIDA,
DEPARTMENT OF TRANSPORTATION, DESIGN STANDARDS.
(BOOKLET DATED JANUARY, 2015)

GOVERNING STANDARDS AND SPECIFICATIONS:
FLORIDA DEPARTMENT OF TRANSPORTATION,
DESIGN STANDARDS DATED JANUARY 2015,
AND STANDARD SPECIFICATIONS FOR ROAD
AND BRIDGE CONSTRUCTION DATED 2015,
AS AMENDED BY CONTRACT DOCUMENTS.

INDEX OF ROADWAY PLANS

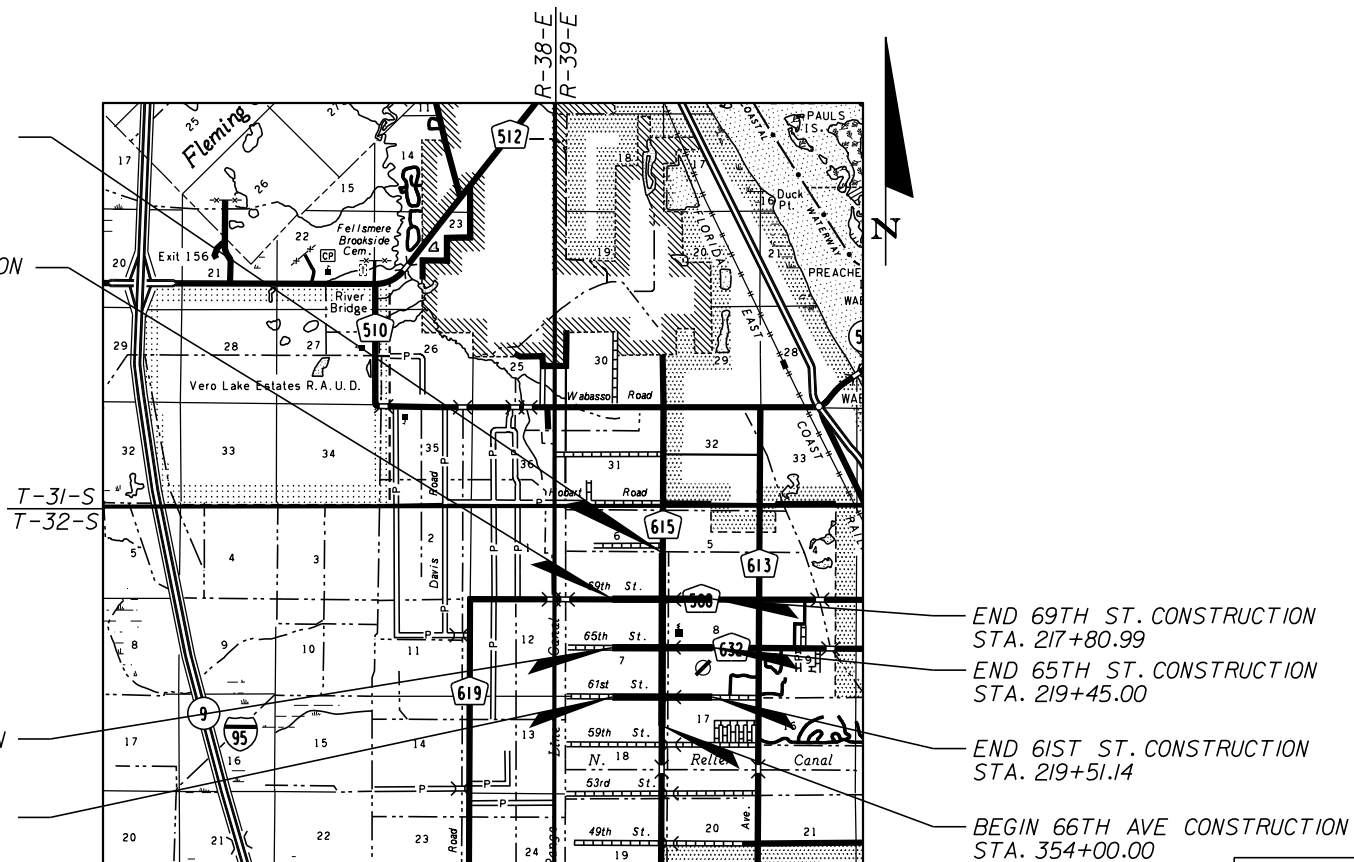
SHEET NO.	SHEET DESCRIPTION
1	KEY SHEET
2-3	GENERAL NOTES
4-10	DRAINAGE MAPS
11-12	SUMMARY OF PAY ITEMS
13-17	TYPICAL SECTIONS
18-19	SUMMARY OF QUANTITIES
20-24	SUMMARY OF DRAINAGE STRUCTURES
25-27	HORIZONTAL & VERTICAL CONTROL
28	PROJECT LAYOUT
29-46	66th AVENUE PLAN & PROFILE
47-53	61st STREET PLAN & PROFILE
54-61	65th STREET PLAN & PROFILE
62-69	69th STREET PLAN & PROFILE
70-75	INTERSECTION PLATEAU/PROFILE DETAILS
76-78	69th STREET BOX CULVERT DETAIL SHEETS
79-79B	POND 66B-1
80-81	POND 66B-2
82-84	POND 66C
85-87	POND 66D
88-88D	DRAINAGE DETAILS
89	ROADWAY SOIL SURVEY
90-138	66th AVENUE CROSS SECTIONS
139-156	61st STREET CROSS SECTIONS
157-177	65th STREET CROSS SECTIONS
178-197	69th STREET CROSS SECTIONS
198-199	EROSION CONTROL GENERAL NOTES
200-208	66th AVENUE EROSION CONTROL PLAN
209-212	61st STREET EROSION CONTROL PLAN
213-216	65th STREET EROSION CONTROL PLAN
217-219A	69th STREET EROSION CONTROL PLAN
220	POND 66B EROSION CONTROL PLAN
221	POND 66C EROSION CONTROL PLAN
222	POND 66D EROSION CONTROL PLAN
223-226	INDIAN RIVER COUNTY EROSION CONTROL DETAILS

END 66TH AVE CONSTRUCTION
STA. 444+57.04

BEGIN 69TH ST. CONSTRUCTION
STA. 181+45.85

BEGIN 65TH ST. CONSTRUCTION
STA. 181+48.04

BEGIN 61ST ST. CONSTRUCTION
STA. 184+47.81



P R E P A R E D F O R



Department of Public Works

RICHARD B. SZPYRKA, P.E., DIRECTOR

THE OFFICIAL RECORD OF THIS SHEET IS THE ELECTRONIC FILE DIGITALLY SIGNED AND SEALED UNDER RULE 61G15-23.004, F.A.C.

1505


I.R.CO. Proj. No.

SHEET NO.
1

ROADWAY GENERAL NOTES

1. PRIOR TO COMMENCEMENT OF ANY EXCAVATION, THE CONTRACTOR SHALL COMPLY WITH FLORIDA STATUTE 553.851 FOR THE PROTECTION OF UNDERGROUND GAS PIPELINES.
2. ALL GRADES SHOWN ARE FINISHED GRADES, UNLESS OTHERWISE NOTED.
3. STATIONING AND OFFSETS REFER TO THE CENTERLINE OF CONSTRUCTION, UNLESS OTHERWISE NOTED.
4. ALL RETURN RADI DIMENSIONS, STATIONS, OFFSETS, AND ELEVATIONS REFER TO THE EDGE OF PAVEMENT, UNLESS OTHERWISE NOTED.
5. BENCHMARK (B.M) LOCATIONS ARE INDICATED BY THE SYMBOL :  CPX
6. B.M. DATUM IS NATIONAL GEODETIC VERTICAL DATUM OF 1929 (NGVD-29).
7. ANY EXISTING SECTION CORNER, QUARTER SECTION CORNER AND INDIAN RIVER COUNTY SURVEY CONTROL MONUMENTS WITHIN THE LIMITS OF CONSTRUCTION SHALL BE PROTECTED. IF A MONUMENT IS IN DANGER OF BEING DISTURBED, THE CONTRACTOR SHALL HAVE A PROFESSIONAL LAND SURVEYOR REFERENCE IT PRIOR TO CONSTRUCTION, NOTIFY THE IRC COUNTY SURVEYOR, AND RESET IT AFTER CONSTRUCTION.
8. ANY PUBLIC LAND CORNER WITHIN THE LIMITS OF CONSTRUCTION SHALL BE PROTECTED. IF A CORNER MONUMENT IS IN DANGER OF BEING DISTURBED, AND HAS NOT BEEN PROPERLY REFERENCED, THE CONTRACTOR SHALL NOTIFY THE DISTRICT LOCATION SURVEYOR, WITHOUT DELAY, BY TELEPHONE.
9. ANY NGVD-29 MONUMENT WITHIN THE LIMITS OF CONSTRUCTION SHALL BE PROTECTED. IF A MONUMENT IS IN DANGER OF BEING DISTURBED, THE CONTRACTOR SHOULD NOTIFY:
 MARK MAINTENANCE SECTION
 GEODETIC INFORMATION CENTER ATTN: N/CG-162
 ROCKVILLE, MARYLAND 20852
 TELEPHONE: 301-443-8319
10. NO CONSTRUCTION SHALL COMMENCE UNTIL ALL REQUIRED PERMITS AND APPROVALS HAVE BEEN SECURED AND THE CONTRACTOR IS ISSUED A "NOTICE TO PROCEED".
11. CONTRACTOR SHALL UTILIZE CONSTRUCTION METHODS AND DEVICES AS INDICATED IN FDOT STANDARD INDEXES 100, 102, 103, 104 AND 105 WHERE NECESSARY IN ORDER TO COMPLY WITH ALL STATE, LOCAL AND NPDES WATER QUALITY STANDARDS.
12. CONTRACTOR SHALL MAINTAIN TRAFFIC AT ALL TIMES DURING CONSTRUCTION IN ACCORDANCE WITH FDOT INDEX NOS. 600 THRU 660 AND SHALL PROVIDE ALL BARRICADES, LIGHTING, CHANNELIZING DEVICES, TEMPORARY PAVEMENTS, TEMPORARY SIGNALS, ATTENUATORS, VARIABLE MESSAGE SIGNS, SIGNAGE AND FLAG MEN AS NECESSARY OR ANYTHING ELSE THAT MAY BE REQUIRED TO MEET FDOT INDEX 600 TO PROVIDE FOR THE SAFETY OF THE PUBLIC IN THE AREA OF THE WORK. MAINTENANCE OF TRAFFIC SHALL BE IN ACCORDANCE WITH CURRENT FDOT ROADWAY & TRAFFIC DESIGN STANDARDS AND SPECIFICATIONS AND THE MANUAL ON UNIFORM TRAFFIC CONTROL DEVICES (MUTCD). THE CONTRACTOR SHALL PREPARE & SUBMIT SIGNED & SEALED TRAFFIC CONTROL PLANS TO INDIAN RIVER COUNTY FOR APPROVAL PRIOR TO THE BEGINNING OF CONSTRUCTION.
13. EXISTING DRAINAGE STRUCTURES AND PIPES WITHIN THE LIMITS OF CONSTRUCTION SHOWN TO NOT REMAIN IN SERVICE SHALL BE REMOVED FROM THE RIGHT OF WAY IN THEIR ENTIRETY, UNLESS OTHERWISE NOTED.
14. DURING CONSTRUCTION, SHOULD ANY DRAINAGE STRUCTURES (INCLUDING PIPES) BE FOUND THAT ARE NOT SHOWN ON THE PLANS, NOTIFY THE ENGINEER IMMEDIATELY.
15. EXISTING UTILITIES ARE TO BE ADJUSTED OR RELOCATED BY OTHERS AS DIRECTED BY THE ENGINEER, UNLESS OTHERWISE NOTED.
16. IN REFERENCE TO EXISTING UTILITIES AND UTILITY ADJUSTMENTS:
 - A. THE LOCATION OF UTILITIES SHOWN ON THE PLANS ARE APPROXIMATE ONLY. THE EXACT LOCATIONS SHALL BE DETERMINED BY THE CONTRACTOR PRIOR TO CONSTRUCTION. IN ADDITION, THE CONTRACTOR SHALL INFORM THE ENGINEER AND NOTIFY THE RESPECTIVE UTILITY OWNERS TO RESOLVE UTILITY CONFLICTS AND UTILITY ADJUSTMENTS AS REQUIRED.
 - B. FOR EXISTING UTILITY SYMBOLS, SEE FDOT STANDARD INDEX 002.
 - C. WATER AND SANITARY SEWER UTILITY WORK SHALL BE IN CONFORMANCE WITH ALL CODES, STANDARDS, AND ORDINANCES CURRENTLY H.R.S., AND THE LOCAL UTILITY DEPARTMENT OWNING THE FACILITIES.
17. CONTRACTOR SHALL USE EXTREME CAUTION WHEN WORKING IN OR AROUND AREAS OF OVERHEAD OR UNDERGROUND UTILITIES.
18. CONTRACTOR SHALL NOTIFY SUNSHINE STATE "ONE CALL" 1-800-432-4770 AND ALL AFFECTED UTILITIES 48 HOURS IN ADVANCE OF ANY CONSTRUCTION SO THAT A COMPANY REPRESENTATIVE MAY BE PRESENT.
19. EXISTING UTILITY OWNERS:

IRC UTILITIES DEPARTMENT IRC TELECOMMUNICATION DIVISION FP&L PROJECTS & RELOCATIONS FP&L FLORIDA GAS TRANSMISSION CO AT&T / BELLSOUTH CITY GAS COMPANY OF FL COMCAST CABLE COMMUNICATIONS VERO ELECTRIC IRC TRAFFIC ENGINEERING	ARJUNA WERAGODA 772-770-5300 MANNY CABO 772-567-8000 X1318 ROB MORRIS 772-223-4215 DENNIS PAGANO 772-489-6204 JOSEPH SANCHEZ 407-838-7000 MARK GUTIERREZ 772-460-4443 GLEN KREINHAGEN 772-781-2551 X23 DONALD STEPHENS 561-718-4614 TED FLETCHER 772-978-5460 JOHN ANKENY 772-226-1563
--	---
20. WHEN UTILITY POLES ARE IN AREAS OF EXCAVATIONS, CONTRACTOR SHALL MAINTAIN A MINIMUM SEPARATION OF FIVE (5) FEET BETWEEN THE POLE AND ANY EXCAVATION.
21. WHEN WORKING WITHIN TEN (10) FEET OF A TRAFFIC SIGNAL POLE, INDIAN RIVER COUNTY TRAFFIC ENGINEERING SHALL BE NOTIFIED: 772-226-1547.
22. INTERSECTING ROADS AND DRIVEWAYS SHALL BE GRADED AS DIRECTED BY THE ENGINEER, UNLESS OTHERWISE NOTED ON THE PLANS.
23. WHERE OPEN-CUTS OF THE EXISTING ROADWAY ARE MADE IN ORDER TO INSTALL PIPELINES, CONDUITS OR SLEEVES, REPAIR THE PAVEMENT IN ACCORDANCE WITH THE "OPEN-CUT PAVEMENT REPAIR DETAIL" IN THESE PLANS. MAINTAIN REPAIRED PAVEMENT FOR THE DURATION OF THE PROJECT.
24. IN REFERENCE TO THE PROPOSED DRAINAGE STRUCTURES & PIPE:
 - A. SPECIAL ATTENTION IS DIRECTED TO THE FACT THAT PORTIONS OF SOME DRAINAGE STRUCTURES MAY EXTEND INTO THE COMPACTED SUBGRADE PORTION OF THE ROAD BED. EXTREME CAUTION WILL BE NECESSARY DURING COMPACTION OPERATIONS IN THESE LOCATIONS.
 - B. CONCRETE PIPE CULVERT (R.C.P) SHALL BE CLASS IV RCP, WALL B UNLESS OTHERWISE NOTED.
 - C. ALL STORM STRUCTURE TOPS SHALL BE ADJUSTED AT TIME OF FINAL PAVEMENT OR CURB CONSTRUCTION. FINAL ADJUSTMENT OF ALL TOPS SHALL BE THE RESPONSIBILITY OF THE UNDERGROUND CONTRACTOR.
 - D. THE LENGTHS OF PIPE SHOWN HEREON HAVE BEEN DETERMINED BY CALCULATING THE DISTANCE BETWEEN THE INLETS AND/OR MANHOLES.
 - E. ALL DITCH BOTTOM INLETS SHALL HAVE AN EYEBOLT AND CHAIN IN ACCORDANCE WITH FDOT INDEX 201.
 - F. THE CONTRACTOR SHALL VERIFY THE EXISTING INVERT ELEVATIONS AND DIMENSIONS OF ALL EXISTING DRAINAGE STRUCTURES PRIOR TO FABRICATION OF PROPOSED DRAINAGE STRUCTURES.
 - G. OFFSETS TO CURB INLETS AS SHOWN ARE OFFSETS TO PROPOSED EDGE OF PAVEMENT.
 - H. ALL DRAINAGE STRUCTURE GRATES SHALL BE GALVANIZED, RETICULINE, H-20 STEEL GRATE.
25. ALL MAILBOXES CURRENTLY SERVED FROM THE ROADWAY BEFORE CONSTRUCTION MUST BE SERVED IN THE SAME MANNER AFTER CONSTRUCTION. CONFORM WITH FDOT STANDARD INDEX 532. COST OF THIS ITEM SHALL BE INCLUDED UNDER THE CONTRACT PRICE FOR CLEARING AND GRUBBING.
26. ALL EXISTING FDOT / INDIAN RIVER COUNTY SIGNS WITHIN THE LIMITS OF CONSTRUCTION WHICH ARE TO BE RELOCATED OR REMOVED SHALL BE REMOVED BY THE CONTRACTOR AND STOCKPILED WITHIN THE RIGHT-OF-WAY FOR REMOVAL OR RELOCATION BY INDIAN RIVER COUNTY FORCES. NOTIFY INDIAN RIVER COUNTY TRAFFIC OPERATIONS AT 772-226-3461.
27. CONTRACTOR SHALL EXERCISE CAUTION WHILE REMOVING AND/OR RELOCATING EXISTING SIGNS IN ORDER TO PREVENT ANY UNNECESSARY DAMAGE TO THE SIGNS. SIGNS WHICH ARE DAMAGED BEYOND USE, AS DETERMINED BY THE ENGINEER, SHALL BE REPLACED BY THE CONTRACTOR AT HIS EXPENSE.
28. THE CONTRACTOR SHALL BE RESPONSIBLE FOR DOCUMENTING THE EXISTING PAVEMENT MARKINGS BEFORE WORK IS STARTED AND THIS INFORMATION SHALL BE USED IN CONJUNCTION WITH TEMPORARY STRIPING AND FINISHED STRIPING.
29. EXCAVATED SOILS AND EXISTING ROCK BASE MAY BE USED FOR EMBANKMENT CONSTRUCTION PROVIDED THAT THE MATERIAL IS CLEAN FILL, FREE OF ORGANIC MATERIALS, ROOTS OR OTHER DELETERIOUS MATERIALS, AND CONFORMS WITH FDOT SPECIFICATIONS AND FDOT STANDARD INDEX 505.
30. ANY BORROW MATERIAL REQUIRED FOR THE PROJECT SHALL BE FURNISHED BY THE CONTRACTOR FROM AREAS PROVIDED BY HIM, AND THE COST OF FURNISHING SUCH MATERIAL SHALL BE INCLUDED IN THE CONTRACT PRICE FOR EMBANKMENT (COMPACTED IN PLACE).
31. ALL MUCK AND PLASTIC MATERIAL WITHIN THE LIMITS OF CONSTRUCTION SHALL BE REMOVED BY THE CONTRACTOR IN ACCORDANCE WITH FDOT STANDARD INDEX 500.
32. NONE OF THE EXISTING BASE THAT IS REMOVED DURING CONSTRUCTION SHALL BE USED IN THE CONSTRUCTION OF THE PROPOSED BASE, UNLESS AUTHORIZED, IN WRITING, BY THE ENGINEER.
33. ALL VEGETATION, DEBRIS, PAVEMENT, CONCRETE OR OTHER UNSUITABLE MATERIALS SHALL BE LEGALLY DISPOSED OF OFF-SITE IN AN AREA PROVIDED BY THE CONTRACTOR.
34. ALL EXISTING IRRIGATION SYSTEM COMPONENTS CONFLICTING WITH THE PROPOSED CONSTRUCTION SHALL BE REMOVED AND DISPOSED OF BY THE CONTRACTOR. EXISTING PIPES SHALL BE CAPPED PRESSURE TIGHT AT THE R/W LINE OR LIMITS OF CONSTRUCTION. EXISTING CONTROL WIRING SHALL BE CUT, SEALED AND LEFT BURIED BELOW GRADE AT THE R/W LINE OR LIMITS OF CONSTRUCTION. IN ALL CASES, THE CONTRACTOR SHALL CLEARLY MARK IN THE FIELD ALL IRRIGATION SYSTEM BREAKS IN A MANNER ACCEPTABLE TO THE ENGINEER FOR FUTURE RECONNECTION OR EXTENSION BY OTHERS. THE COST FOR IRRIGATION SYSTEM REMOVAL, CAPPING PIPE AND SEALING WIRING SHALL BE INCLUDED IN THE CONTRACT PRICE FOR CLEARING AND GRUBBING.
35. DRIVEWAY SLOPES MAY BE MODIFIED AS DIRECTED BY THE ENGINEER TO MATCH EXISTING CONDITIONS.
36. ALL EXISTING INLET GRATES & MANHOLE CASTINGS WHICH ARE REMOVED WITHIN THE LIMITS OF COUNTY RIGHT OF WAY SHALL BE STOCKPILED WITHIN THE RIGHT OF WAY FOR REMOVAL BY COUNTY FORCES CONTACT IRC ROAD & BRIDGE DIVISION AT 772-770-5085.
37. THE CONTRACTOR SHALL COMPLETELY REMOVE EXISTING ASPHALT & BASE MATERIAL FROM AREAS TO BE SODDED. BACKFILL SHALL CONSIST OF CLEAN GRANULAR FILL MATERIAL MEETING INDEX 505 EMBANKMENT UTILIZATION SPECIFICATIONS.

REVISIONS				 <small>BRIAN A. GOOD, P.E. P.E. LICENSE NUMBER 56939 445 24th STREET, SUITE 200 VERO BEACH, FL 32960 (772) 794-4100 CERTIFICATE OF AUTHORIZATION# 00000696</small>	INDIAN RIVER COUNTY BOARD OF COUNTY COMMISSIONERS	<h2 style="margin: 0;">GENERAL NOTES</h2>	SHEET NO.
DESCRIPTION	DATE	BY	DESCRIPTION		66th AVENUE ROADWAY WIDENING - PHASE IB 49th STREET TO 69th STREET		2

1505 I.R.CO. Proj. No. THE OFFICIAL RECORD OF THIS SHEET IS THE ELECTRONIC FILE DIGITALLY SIGNED AND SEALED UNDER RULE 61G15-23.004, F.A.C.

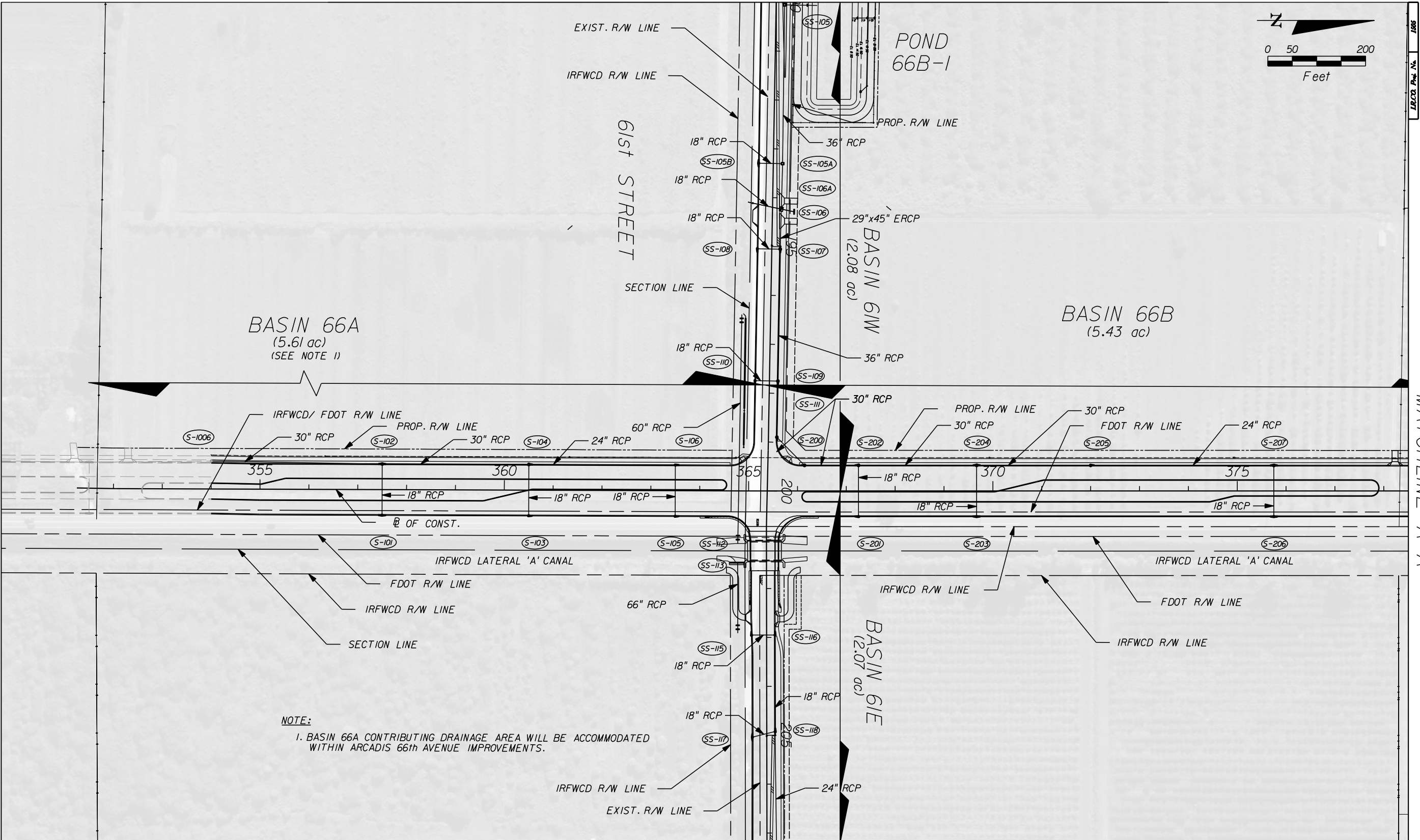
ROADWAY GENERAL NOTES (CONT.)

38. CONTRACTOR SHALL EXERCISE PROPER CARE & CAUTION WHEN DRIVING GUARDRAIL POSTS IN THE VICINITY OF EXISTING & PROPOSED UTILITY LINES. CONTRACTOR SHALL FIELD VERIFY THE LOCATION AND ELEVATION OF ALL UTILITIES PRIOR TO POST INSTALLATION. THE ENGINEER MAY DIRECT THE USE OF ENCASED GUARDRAIL POST IN LIEU OF STANDARD POSTS IF NECESSARY TO AVOID EXISTING UTILITIES AT NO ADDITIONAL COST TO THE COUNTY.
39. ALL LANE CLOSURES SHALL BE APPROVED IN ADVANCE BY INDIAN RIVER COUNTY. ALL LANES, INCLUDING TEMPORARY/SHORT-TERM LANE CLOSURES, MUST BE OPEN IN THE EVENT OF AN EVACUATION.
40. THE CONTRACTOR SHALL COORDINATE SELECTION AND REVIEW OF ANY PROPOSED STAGING AREAS ASSOCIATED WITH THIS PROJECT WITH THE INDIAN RIVER COUNTY CONSTRUCTION COORDINATION DIVISION AT 1-772-226-1567 AT LEAST SEVENTY-TWO (72) HOURS PRIOR TO USE. UPON COMPLETION OF THIS PROJECT THE STAGING AREA SHALL BE RESTORED TO ITS ORIGINAL CONDITION OR BETTER AT NO ADDITIONAL COST TO THE COUNTY.
41. THE CONTRACTOR SHALL SUBMIT FOR APPROVAL BY INDIAN RIVER COUNTY & FDEP A PROJECT SPECIFIC STORMWATER POLLUTION PREVENTION PLAN. THIS PLAN SHALL BE APPROVED PRIOR TO THE START OF CONSTRUCTION.
42. THE CONTRACTOR SHALL NOT BRING HAZARDOUS MATERIALS ONTO THE PROJECT. SHOULD THE CONTRACTOR REQUIRE SUCH MATERIALS FOR PERFORMING THE CONTRACTED WORK, THE CONTRACTOR SHALL REQUEST, IN WRITING, WRITTEN PERMISSION FROM THE PROJECT ENGINEER. THE CONTRACTOR SHALL PROVIDE A COPY OF THE REQUEST TO THE INDIAN RIVER COUNTY CONSTRUCTION COORDINATION DIVISION. THE CONTRACTOR SHALL PROVIDE THE INDIAN RIVER COUNTY CONSTRUCTION COORDINATION DIVISION WITH A COPY OF THE MATERIAL SAFETY DATA SHEET, (SDS) FOR EACH HAZARDOUS MATERIAL PROPOSED FOR USE AND PROVIDE A DESCRIPTION OF THE SPECIFIC MANNER IN WHICH THE MATERIAL WILL BE USED. THE PROJECT ENGINEER SHALL COORDINATE WITH THE INDIAN RIVER COUNTY CONSTRUCTION COORDINATION DIVISION PRIOR TO ISSUING WRITTEN APPROVAL TO THE CONTRACTOR. BECAUSE STATE LAW DOES NOT TREAT PETROLEUM PRODUCTS THAT ARE PROPERLY CONTAINERIZED AS HAZARDOUS MATERIALS, SUCH PRODUCTS DO NOT REQUIRE AN MSDS SUBMITTAL. ALL BULK PETROLEUM PRODUCTS STORED ON SITE SHALL REQUIRE PROPER STORAGE WHICH INCLUDES SECONDARY CONTAINMENT.
43. ANY KNOWN OR SUSPECT HAZARDOUS MATERIAL FOUND ON THE PROJECT BY THE CONTRACTOR SHALL BE IMMEDIATELY REPORTED TO THE PROJECT ENGINEER, WHO SHALL DIRECT THE CONTRACTOR TO PROTECT THE AREA OF KNOWN OR SUSPECT HAZARDOUS MATERIAL FROM FURTHER ACCESS. THE PROJECT ENGINEER IS TO NOTIFY THE PROPER REGULATORY AUTHORITY OF THE DISCOVERY. THE PROPER REGULATORY AUTHORITY WILL ADVISE/DIRECT THE PROJECT ENGINEER IN THE INVESTIGATION, IDENTIFICATION AND/OR REMOVAL/REMEDICATION OF THE MATERIAL IN QUESTION AS NEEDED. THE CONTRACTOR SHALL NOT RETURN TO THE AREA OF SUSPECTED CONTAMINATION UNTIL APPROVAL IS PROVIDED BY THE PROJECT ENGINEER. THE REGULATORY AUTHORITY WILL ADVISE THE PROJECT ENGINEER IN THESE MATTERS.
44. CONTRACTOR SHALL MAINTAIN EXISTING FIBER OPTIC CABLE SERVING THE INDIAN RIVER COUNTY SHERIFF'S OFFICE IN WORKING ORDER AT ALL TIMES DURING CONSTRUCTION OF THE PROJECT.
45. CONTRACTOR SHALL SUBMIT A PROJECT SPECIFIC HURRICANE PREPAREDNESS PLAN FOR REVIEW AND ACCEPTANCE. THIS PLAN SHALL DETAIL THE CONTRACTOR'S PROCEDURES AND TIMELINES FOR DEMOBILIZATION AND REMOBILIZATION IN THE EVENT OF A TROPICAL EVENT.
46. ALL TEMPORARY COFFER DAMS CONSTRUCTED WITHIN IRFWCD RIGHTS-OF-WAY SHALL CONSIST OF TEMPORARY STEEL SHEETING. EARTHEN EMBANKMENT DAMS WILL NOT BE PERMITTED. THE CONTRACTOR SHALL COORDINATE WITH THE IRFWCD SUPERINTENDENT PRIOR TO TEMPORARY SHEETING INSTALLATION AS TO DETERMINE MAXIMUM SHEETING TIP ELEVATION PERMITTED. COST OF TEMPORARY SHEETING SHALL BE INCLUDED IN THE ASSOCIATED PAY ITEM REQUIRING THE TEMPORARY SHEETING TO BE INSTALLED. THE COUNTY IS NOT RESPONSIBLE FOR DAMAGE CAUSED BY FLOOD STAGES EXCEEDING THE MAXIMUM SHEET TIP ELEVATION DURING CONSTRUCTION.
47. THE CONTRACTOR SHALL PROVIDE TWO TEMPORARY PUMPING SYSTEMS (TYPE A - FLOW CAPACITY OF 8,500 GPM & TYPE B - FLOW CAPACITY OF 30,000 GPM) TO MANAGE IRFWCD CANAL A STORMWATER DISCHARGES DURING THE CONSTRUCTION OF THE 69TH STREET BOX CULVERT. ALL COSTS ASSOCIATED WITH TYPE A AND TYPE B TEMPORARY PUMPS IDENTIFIED TO SUPPORT THE PROPOSED 69TH STREET BOX CULVERT SHALL BE INCLUDED WITH PAY ITEM 400-4-1. ALL REMAINING TEMPORARY PUMPING SYSTEMS SHALL BE AT THE CONTRACTORS DISCRETION AND THE ASSOCIATED COSTS SHALL BE INCLUDED IN THE PAY ITEM REQUIRING THE TEMPORARY PUMPING SYSTEM TO BE INSTALLED.

REVISIONS					Kimley»Horn <small>BRIAN A. GOOD, P.E. P.E. LICENSE NUMBER 56939 445 24th STREET, SUITE 200 VERO BEACH, FL 32960 (772) 794-4100 CERTIFICATE OF AUTHORIZATION# 00000696</small>	INDIAN RIVER COUNTY BOARD OF COUNTY COMMISSIONERS 66th AVENUE ROADWAY WIDENING - PHASE IB 49th STREET TO 69th STREET	GENERAL NOTES	SHEET NO.
NO.	DESCRIPTION	DATE	BY	DESCRIPTION				3

1505
I.R.CO. Proj. No.
THE OFFICIAL RECORD OF THIS SHEET IS THE ELECTRONIC FILE DIGITALLY SIGNED AND SEALED UNDER RULE 61G15-23.004, F.A.C.

MATCHLINE 6W-6W
(SEE 61st STREET DRAINAGE MAP)



BASIN 66A
(5.61 ac)
(SEE NOTE 1)

NOTE:
1. BASIN 66A CONTRIBUTING DRAINAGE AREA WILL BE ACCOMMODATED WITHIN ARCADIS 66th AVENUE IMPROVEMENTS.

MATCHLINE 6IE-6IE
(SEE 61st STREET DRAINAGE MAP)

REVISIONS				
NO.	DESCRIPTION	DATE	BY	DESCRIPTION

Kimley»Horn
 BRIAN A. GOOD, P.E.
 P.E. LICENSE NUMBER 56939
 445 24th STREET, SUITE 200
 VERO BEACH, FL 32960
 (772) 794-4100
 CERTIFICATE OF AUTHORIZATION# 00000696

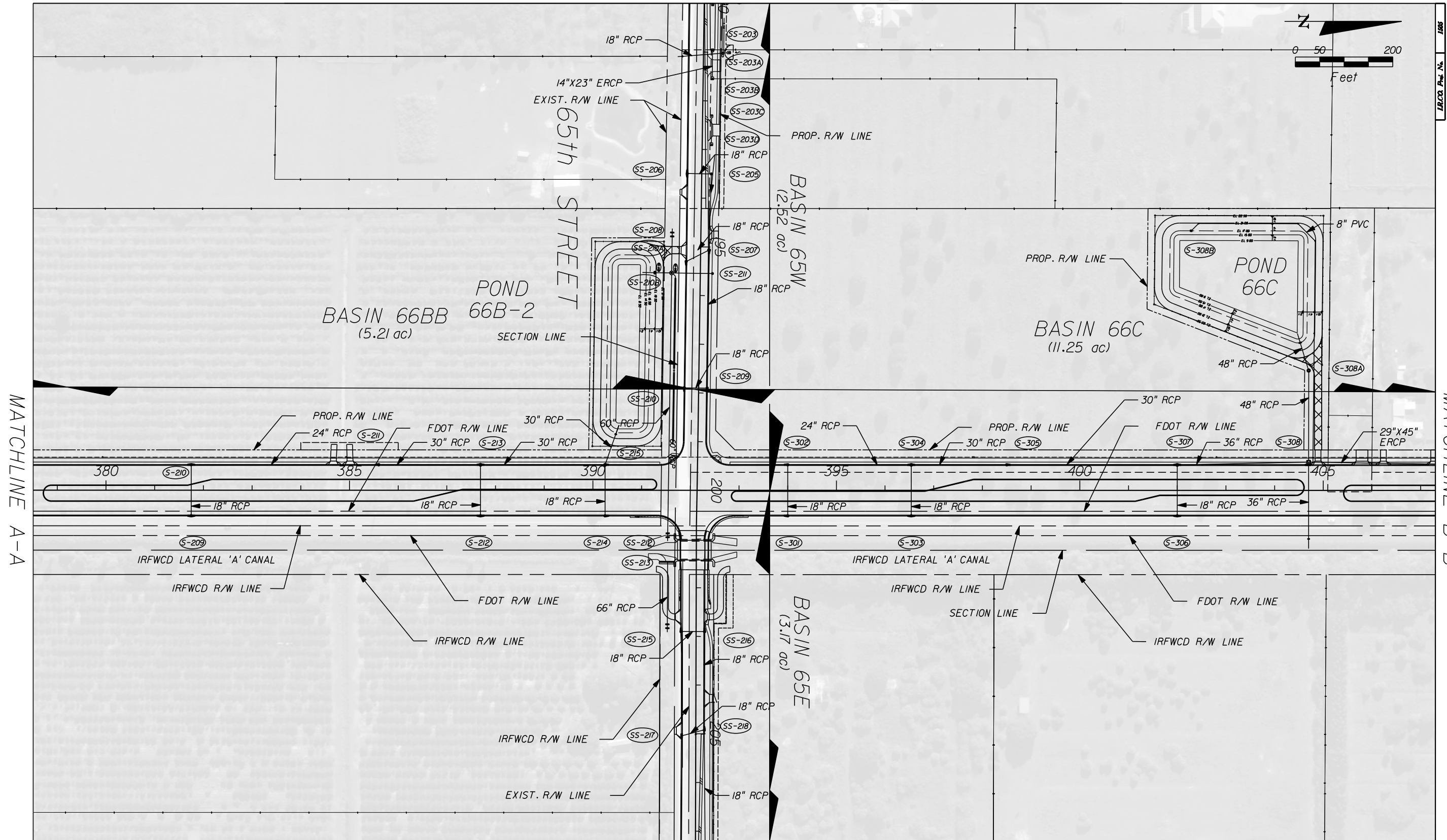
**INDIAN RIVER COUNTY
 BOARD OF COUNTY COMMISSIONERS**
**66th AVENUE ROADWAY WIDENING -
 PHASE IB 49th STREET TO 69th STREET**

**66th AVENUE
 DRAINAGE MAP**

SHEET NO.
4

THE OFFICIAL RECORD OF THIS SHEET IS THE ELECTRONIC FILE DIGITALLY SIGNED AND SEALED UNDER RULE 61G15-23.004, F.A.C.

MATCHLINE 65W-65W
(SEE 65th STREET DRAINAGE MAP)



MATCHLINE 65E-65E
(SEE 65th STREET DRAINAGE MAP)

REVISIONS				
NO.	DESCRIPTION	DATE	BY	DESCRIPTION

Kimley»Horn
 BRIAN A. GOOD, P.E.
 P.E. LICENSE NUMBER 56939
 445 24th STREET, SUITE 200
 VERO BEACH, FL 32960
 (772) 794-4100
 CERTIFICATE OF AUTHORIZATION# 00000696

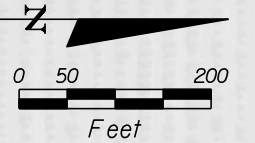
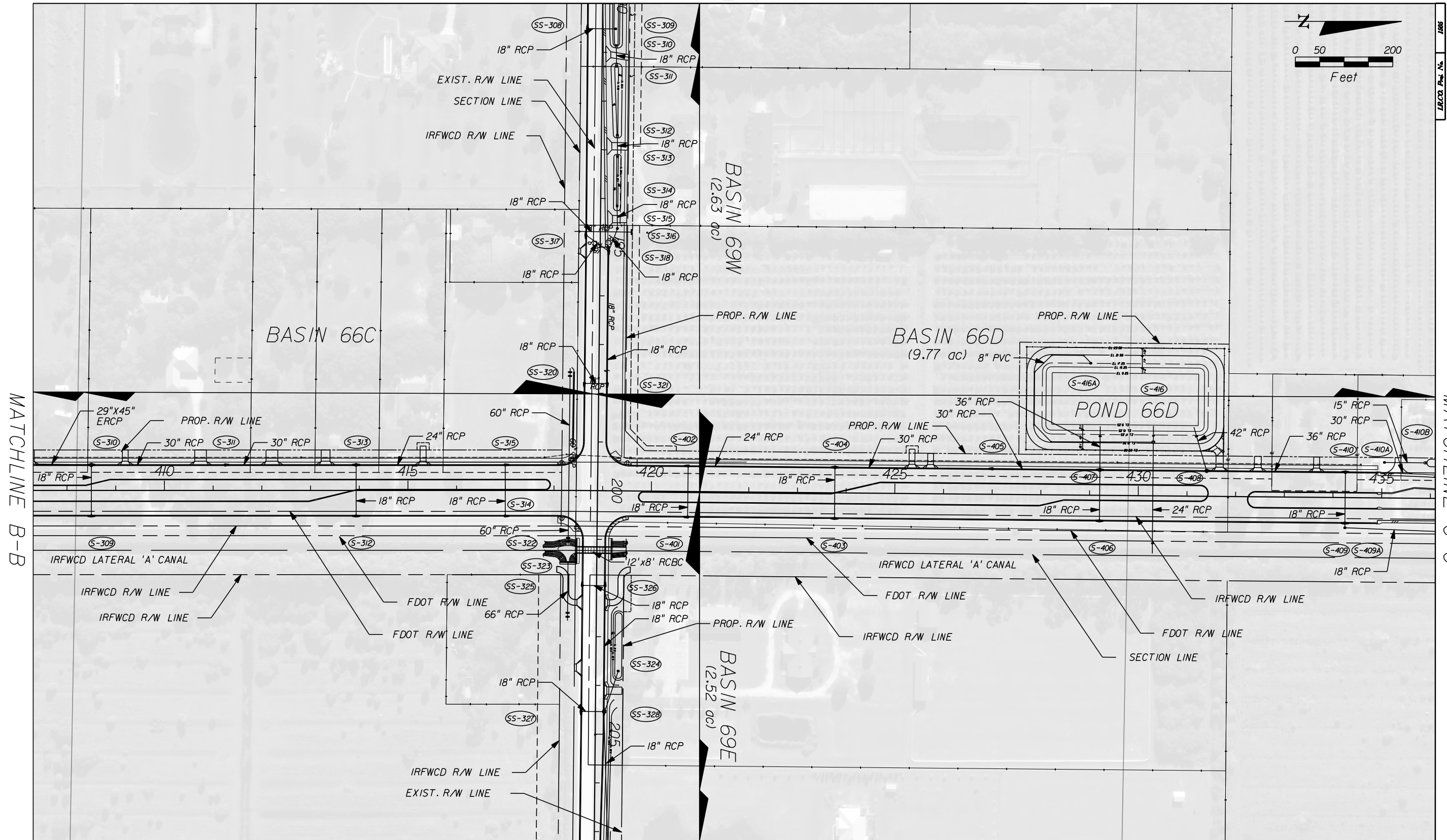
**INDIAN RIVER COUNTY
 BOARD OF COUNTY COMMISSIONERS**
**66th AVENUE ROADWAY WIDENING -
 PHASE IB 49th STREET TO 69th STREET**

**66th AVENUE
 DRAINAGE MAP**

SHEET NO.
5

THE OFFICIAL RECORD OF THIS SHEET IS THE ELECTRONIC FILE DIGITALLY SIGNED AND SEALED UNDER RULE 61G15-23.004, F.A.C.

MATCHLINE 69W-69W
(SEE 69th STREET DRAINAGE MAP)



MATCHLINE B-B

MATCHLINE C-C

MATCHLINE 69E-69E
(SEE 65th STREET DRAINAGE MAP)

REVISIONS				
NO.	DESCRIPTION	DATE	BY	DESCRIPTION

Kimley»Horn
 BRIAN A. GOOD, P.E.
 P.E. LICENSE NUMBER 56939
 445 24th STREET, SUITE 200
 VERO BEACH, FL 32960
 (772) 794-4100
 CERTIFICATE OF AUTHORIZATION# 00000696

**INDIAN RIVER COUNTY
 BOARD OF COUNTY COMMISSIONERS**
**66th AVENUE ROADWAY WIDENING -
 PHASE IB 49th STREET TO 69th STREET**

**66th AVENUE
 DRAINAGE MAP**

SHEET NO.
6

THE OFFICIAL RECORD OF THIS SHEET IS THE ELECTRONIC FILE DIGITALLY SIGNED AND SEALED UNDER RULE 61G15-23.004, F.A.C.



MATCHLINE C-C

MATCHLINE D-D

ARCO Proj. No. 1696

THE OFFICIAL RECORD OF THIS SHEET IS THE ELECTRONIC FILE DIGITALLY SIGNED AND SEALED UNDER RULE 61G15-23.004, F.A.C.

REVISIONS				
NO.	DESCRIPTION	DATE	BY	DESCRIPTION

Kimley»Horn
 BRIAN A. GOOD, P.E.
 P.E. LICENSE NUMBER 56939
 445 24th STREET, SUITE 200
 VERO BEACH, FL 32960
 (772) 794-4100
 CERTIFICATE OF AUTHORIZATION# 00000696

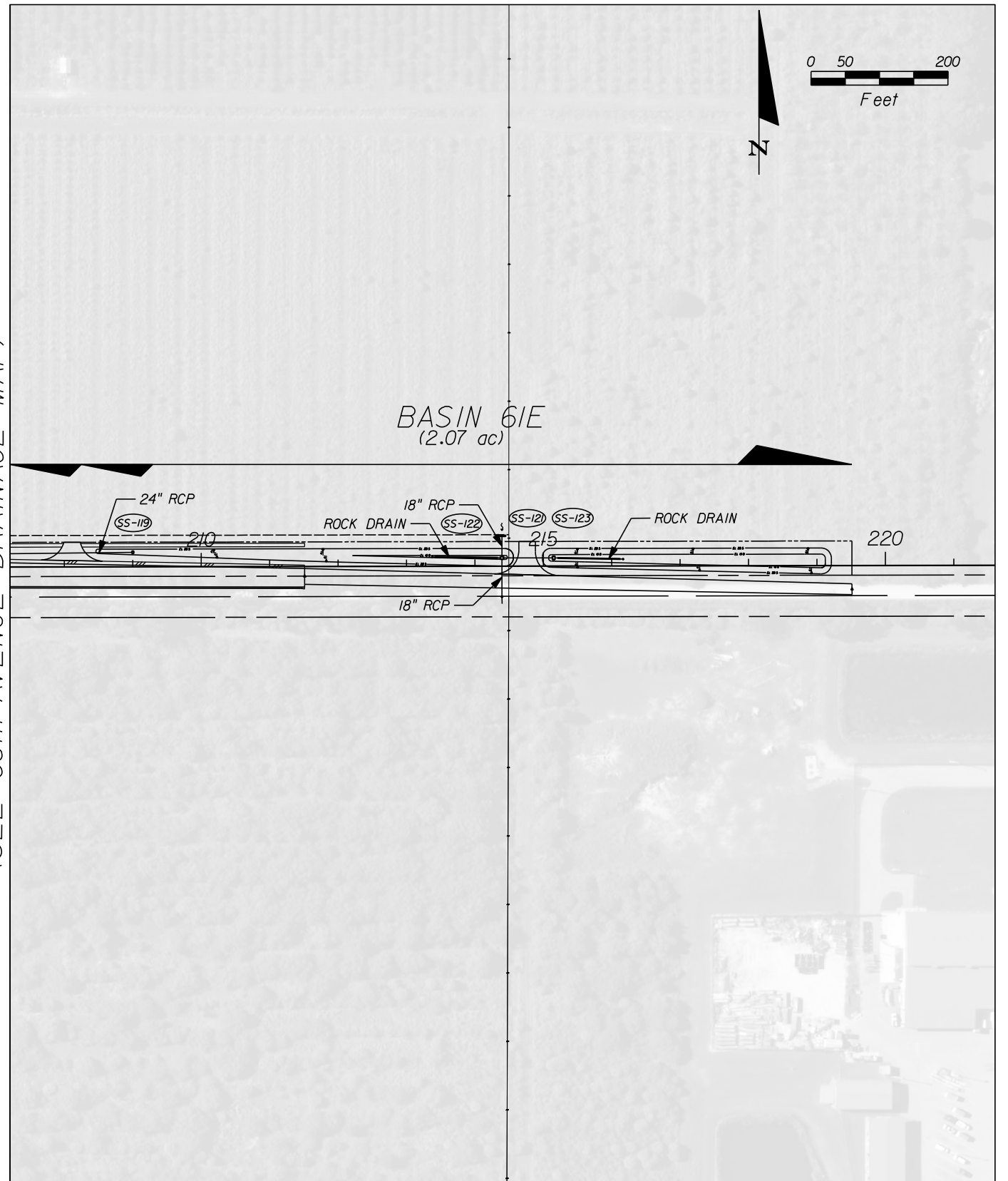
**INDIAN RIVER COUNTY
 BOARD OF COUNTY COMMISSIONERS**
**66th AVENUE ROADWAY WIDENING -
 PHASE IB 49th STREET TO 69th STREET**

**66th AVENUE
 DRAINAGE MAP**

SHEET NO.
7



MATCHLINE 6W-6W
(SEE 66th AVENUE DRAINAGE MAP)



MATCHLINE 6E-6E
(SEE 66th AVENUE DRAINAGE MAP)

REVISIONS				
NO.	DESCRIPTION	DATE	BY	DESCRIPTION

Kimley»Horn
 BRIAN A. GOOD, P.E.
 P.E. LICENSE NUMBER 56939
 445 24th STREET, SUITE 200
 VERO BEACH, FL 32960
 (772) 794-4100
 CERTIFICATE OF AUTHORIZATION# 00000696

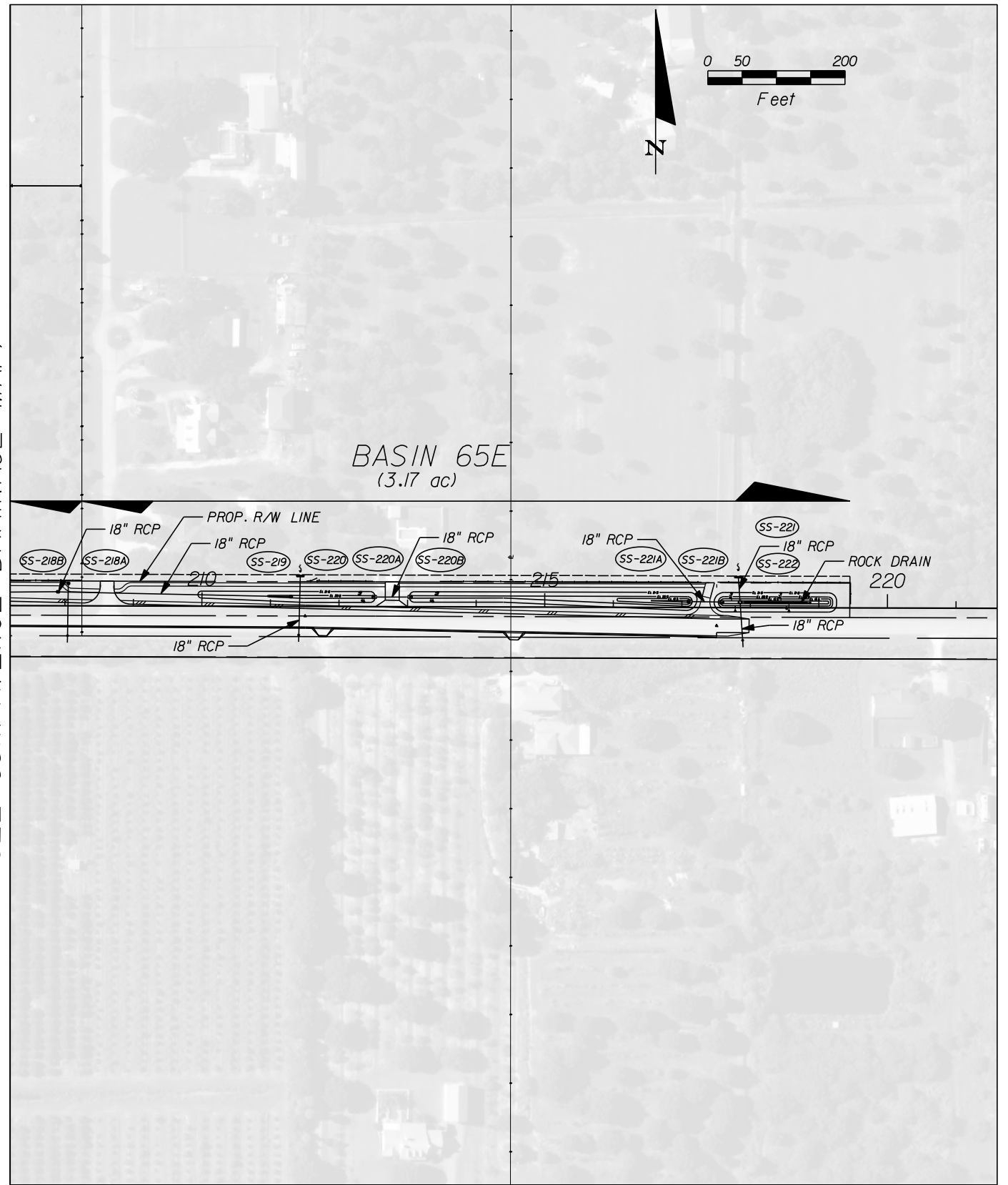
**INDIAN RIVER COUNTY
 BOARD OF COUNTY COMMISSIONERS**
**66th AVENUE ROADWAY WIDENING -
 PHASE IB 49th STREET TO 69th STREET**

**61st STREET
 DRAINAGE MAP**

SHEET NO.
8



MATCHLINE 65W-65E
(SEE 66th AVENUE DRAINAGE MAP)



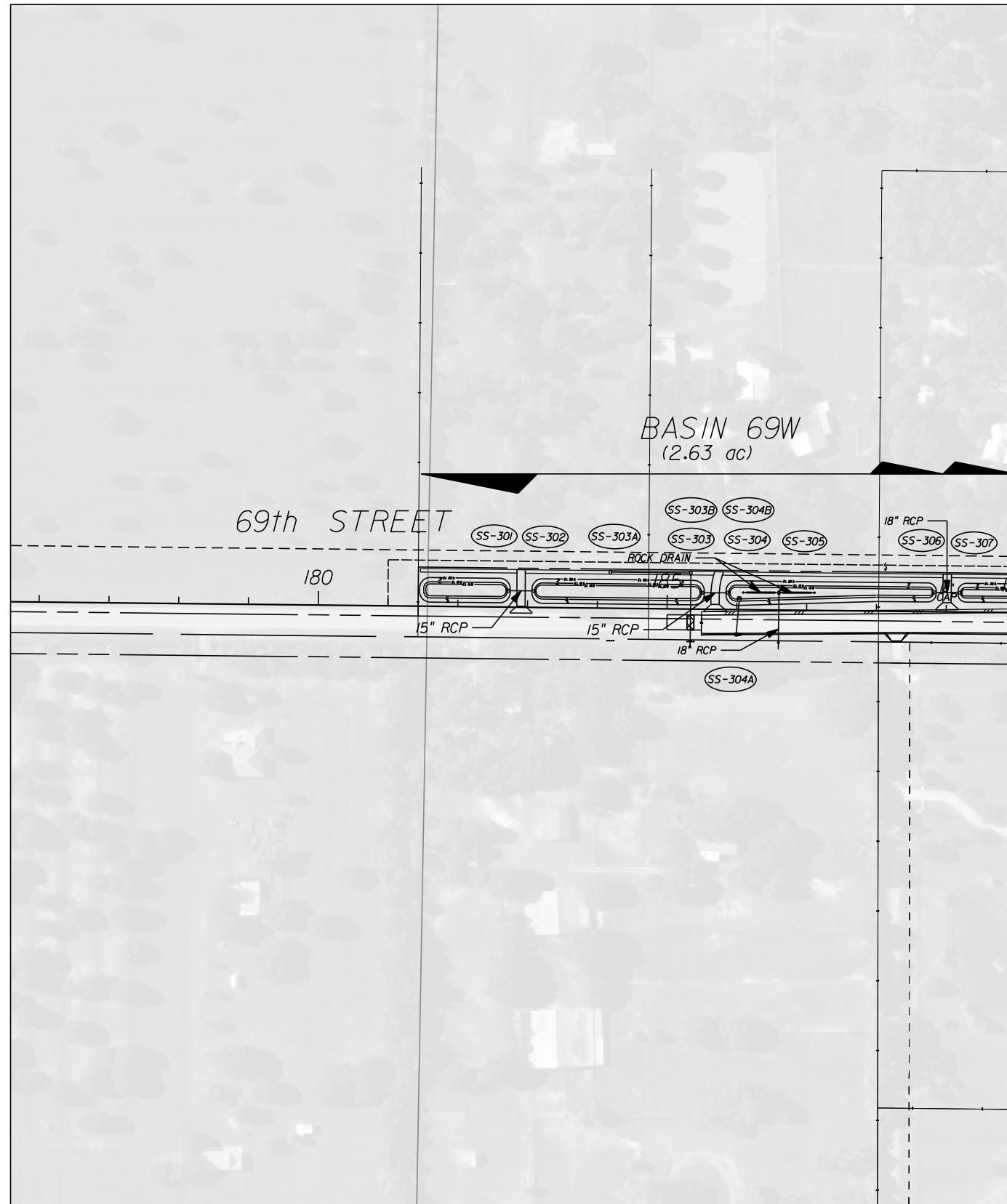
REVISIONS				
NO.	DESCRIPTION	DATE	BY	DESCRIPTION

Kimley»Horn
BRIAN A. GOOD, P.E.
 P.E. LICENSE NUMBER 56939
 445 24th STREET, SUITE 200
 VERO BEACH, FL 32960
 (772) 794-4100
 CERTIFICATE OF AUTHORIZATION# 00000696

**INDIAN RIVER COUNTY
 BOARD OF COUNTY COMMISSIONERS**
**66th AVENUE ROADWAY WIDENING -
 PHASE IB 49th STREET TO 69th STREET**

**65th STREET
 DRAINAGE MAP**

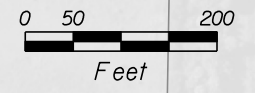
SHEET NO.
9



MATCHLINE 69W-69E
(SEE 66th AVENUE DRAINAGE MAP)



MATCHLINE 69E-69E
(SEE 66th AVENUE DRAINAGE MAP)



REVISIONS				
NO.	DESCRIPTION	DATE	BY	DESCRIPTION

Kimley»Horn
 BRIAN A. GOOD, P.E.
 P.E. LICENSE NUMBER 56939
 445 24th STREET, SUITE 200
 VERO BEACH, FL 32960
 (772) 794-4100
 CERTIFICATE OF AUTHORIZATION# 00000696

**INDIAN RIVER COUNTY
 BOARD OF COUNTY COMMISSIONERS**
**66th AVENUE ROADWAY WIDENING -
 PHASE IB 49th STREET TO 69th STREET**

**69th STREET
 DRAINAGE MAP**

SHEET NO.
10

THE OFFICIAL RECORD OF THIS SHEET IS THE ELECTRONIC FILE DIGITALLY SIGNED AND SEALED UNDER RULE 61G15-23.004, F.A.C.

SUMMARY OF PAY ITEMS

PAY ITEM NO.	DESCRIPTION	UNIT	PROJECT QUANTITY
ROADWAY PAY ITEMS			
101-1	MOBILIZATION/ DEMOBILIZATION	LS	1
102-1	MAINTENANCE OF TRAFFIC	LS	1
104-2	PREVENTION, CONTROL & ABATEMENT OF EROSION AND WATER POLLUTION	LS	1
110-1-1	CLEARING & GRUBBING	AC	86
110-7-1	MAILBOX F & I	EA	40
120-1	REGULAR EXCAVATION	CY	81,595
120-4	SUBSOIL EXCAVATION	CY	3,198
120-5	CHANNEL EXCAVATION	CY	890
120-6	EMBANKMENT	CY	128,124
160-4	TYPE "B" STABILIZATION	SY	123,552
285-709	OPTIONAL BASE (BASE GROUP 9)	SY	108,050
286-1	TURNOUT CONSTRUCTION	SY	2,320
327-70-01	MILLING EXISTING ASPHALT PAVEMENT (1" AVG. DEPTH)	SY	118
334-1-13	SUPERPAVE ASPHALT CONCRETE (SP-12.5) (TRAFFIC C) (2")	TN	11,959
337-7-82	ASPHALTIC CONCRETE FRICTION COURSE (FC-9.5) (TRAFFIC C) (1")	TN	5,980
339-1	MISCELLANEOUS ASPHALT PAVEMENT	TN	34
400-1-2	CLASS I CONCRETE (ENDWALL)	CY	13.4
400-2-2	CLASS II CONCRETE (ENDWALL)	CY	125.6
400-4-1	REINFORCED CONCRETE BOX CULVERT (12'X10')	LF	72
415-1-1	REINFORCING STEEL (ROADWAY)	LB	6,510
425-1-351	INLETS (CURB) (TYPE P-5) (<10')	EA	32
425-1-361	INLETS (CURB) (TYPE P-6) (<10')	EA	20
425-1-451	INLETS (CURB) (TYPE J-5) (<10')	EA	6
425-1-452	INLETS (CURB) (TYPE J-5) (>10')	EA	4
425-1-452A	INLETS (CURB) (TYPE J-5) (>10') (CONTROL STRUCTURE W/ INTERNAL WEIR)	EA	1
425-1-461	INLETS (CURB) (TYPE J-6) (<10')	EA	11
425-1-462	INLETS (CURB) (TYPE J-6) (>10')	EA	1
425-1-521	INLETS (DT BOT) (TYPE C) (<10')	EA	18
425-1-521A	INLETS (DT BOT) (TYPE C) (<10') (CONTROL STRUCTURE W/ EXTERNAL SKIMMER)	EA	3
425-1-531	INLETS (DT BOT) (TYPE C MOD.) (<10') (BACK OF SWK INLET)	EA	2
425-1-541	INLETS (DT BOT) (TYPE D) (<10')	EA	2
425-1-541A	INLETS (DT BOT) (TYPE D) (<10') (CONTROL STRUCTURE W/ EXTERNAL SKIMMER)	EA	5
425-1-543	INLETS (DT BOT) (TYPE D) (<10') (W/ J BOTTOM)	EA	2
425-1-559	INLETS (DT BOT) (TYPE E) (>10') (CONTROL STRUCTURE W/ INTERNAL WEIR)	EA	2
425-1-581	INLETS (DT BOT) (TYPE H) (<10') (CONTROL STRUCTURE W/ INTERNAL WEIR)	EA	1
425-1-713	INLETS (GUTTER) (VALLEY) (J-BOTTOM)	EA	1
425-1-910	INLETS (CLOSED FLUME)	EA	1
425-2-61	MANHOLES (P-8) (<10')	EA	3
425-2-71	MANHOLES (J-7) (<10') (CONFLICT STRUCTURE)	EA	1
425-2-72	MANHOLES (J-7) (>10')	EA	1
430-175-115	PIPE CULVERT (RCP) (ROUND) (15" SS)	LF	433
430-175-118	PIPE CULVERT (RCP) (ROUND) (18" SS)	LF	6,950
430-175-118A	PIPE CULVERT (CAP) (ROUND) (18" SS)	LF	120
430-175-124	PIPE CULVERT (RCP) (ROUND) (24" SS)	LF	2,387
430-175-124A	PIPE CULVERT (CAP) (ROUND) (24" SS)	LF	112
430-175-130	PIPE CULVERT (RCP) (ROUND) (30" SS)	LF	3,419
430-175-130A	PIPE CULVERT (CAP) (ROUND) (30" SS)	LF	62
430-175-136	PIPE CULVERT (RCP) (ROUND) (36" SS)	LF	2,640
430-175-136A	PIPE CULVERT (CAP) (ROUND) (36" SS)	LF	40
430-175-142	PIPE CULVERT (RCP) (ROUND) (42" SS)	LF	115
430-175-142A	PIPE CULVERT (CAP) (ROUND) (42" SS)	LF	40
430-175-148	PIPE CULVERT (RCP) (ROUND) (48" SS)	LF	240
430-175-148A	PIPE CULVERT (CAP) (ROUND) (48" SS)	LF	20
430-175-160	PIPE CULVERT (RCP) (ROUND) (60" SS)	LF	1,470
430-175-166	PIPE CULVERT (RCP) (ROUND) (66" SS)	LF	408

PAY ITEM NO.	DESCRIPTION	UNIT	PROJECT QUANTITY
ROADWAY PAY ITEMS			
430-175-215	PIPE CULVERT (ERCP) (12"X18" SS)	LF	60
430-175-218	PIPE CULVERT (ERCP) (14" X 23" SS)	LF	239
430-175-236	PIPE CULVERT (ERCP) (29" X 45" SS)	LF	374
430-964-3	PVC PIPE (8") (SCH 80)	LF	1,678
430-982-123	MITERED END SECTION (CONC.) (15" CD)	EA	7
430-982-125	MITERED END SECTION (CONC.) (18" CD)	EA	15
430-982-623	MITERED END SECTION (CONC.) (12"X18"CD)	EA	2
430-982-625	MITERED END SECTION (CONC.) (14"X23"CD)	EA	7
440-1-20	UNDERDRAIN	LF	815
440-1-60	ROCK DRAIN	LF	640
520-1-10	CONCRETE CURB & GUTTER (TYPE F)	LF	26,742
520-1-11	CONCRETE CURB & GUTTER (TYPE F) (MOD.)	LF	14,915
522-2	CONCRETE SIDEWALK, 6" THICK	SY	13,897
527-2	DETECTABLE WARNINGS	SF	187
530-3-4	RIPRAP, RUBBLE (F&I) (DITCH LINING)	TN	2,163
536-1-1	GUARDRAIL (ROADWAY)	LF	581
536-85-22	GUARDRAIL END ANCHORAGE ASSEMBLY (MELT)	EA	2
536-85-25	GUARDRAIL END ANCHORAGE ASSEMBLY (TYPE II)	EA	2
536-85-30	GUARDRAIL END ANCHORAGE ASSEMBLY (ET-2000)	EA	4
550-10-110A	FENCING (TYPE A) (5.0') (STANDARD)	LF	256
550-10-110B	FENCING (TYPE A) (4.0') (STANDARD)	LF	328
550-10-220	FENCING (TYPE B) (6.0') (STANDARD)	LF	661
550-10-222	FENCING (TYPE B) (6.0') (WITH VINYL COATING)	LF	4,563
550-10-410A	FENCING (WOOD) (4.0') (3 RAIL SPLIT RAIL)	LF	267
550-10-410B	FENCING (WOOD) (5.0') (3 RAIL SPLIT RAIL)	LF	696
550-60-213	FENCE GATE (TYPE B) (SINGLE) (16.0' OPENING)	EA	1
550-60-225	FENCE GATE (TYPE B) (DOUBLE) (24.0' OPENING)	EA	4
550-60-912	FENCE GATE (WOOD) (SINGLE) (10.0' OPENING)	EA	1
570-1-2A	PERFORMANCE TURF (SOD) (BAHIA)	SY	175,168
630-2-11A	CONDUIT (OPEN TRENCH) (F&I) (2")	LF	8,100
630-2-11B	CONDUIT (OPEN TRENCH) (F) (2")	LF	8,100
633-1-123	FIBER OPTIC CABLE (F & I) (UNDERGROUND) (49-96 FIBERS)	LF	9,100
633-2-31	FIBER OPTIC CONNECTION (SPLICE)	EA	1,728
633-2-32	FIBER OPTIC CONNECTION (TERMINATION)	EA	96
635-2-12	PULL AND SPLICE BOX (F&I) (17"X30") (PULL BOX)	EA	16
635-2-13	PULL AND SPLICE BOX (F&I) (30"X48") (SLACK BOX)	EA	3
999-1	CONSTRUCTION LAYOUT/ RECORD/ AS-BUILT DRAWINGS (BY REGISTERED SURVEYOR)	LS	1

REVISIONS					
DATE	BY	DESCRIPTION	DATE	BY	DESCRIPTION

Kimley»Horn
BRIAN A. GOOD, P.E.
P.E. LICENSE NUMBER 56939
445 24th STREET, SUITE 200
VERO BEACH, FL 32960
(772) 794-4100
CERTIFICATE OF AUTHORIZATION# 00000696

**INDIAN RIVER COUNTY
BOARD OF COUNTY COMMISSIONERS**
**66th AVENUE ROADWAY WIDENING -
PHASE IB 49th STREET TO 69th STREET**


SUMMARY OF PAY ITEMS

SHEET NO.
//

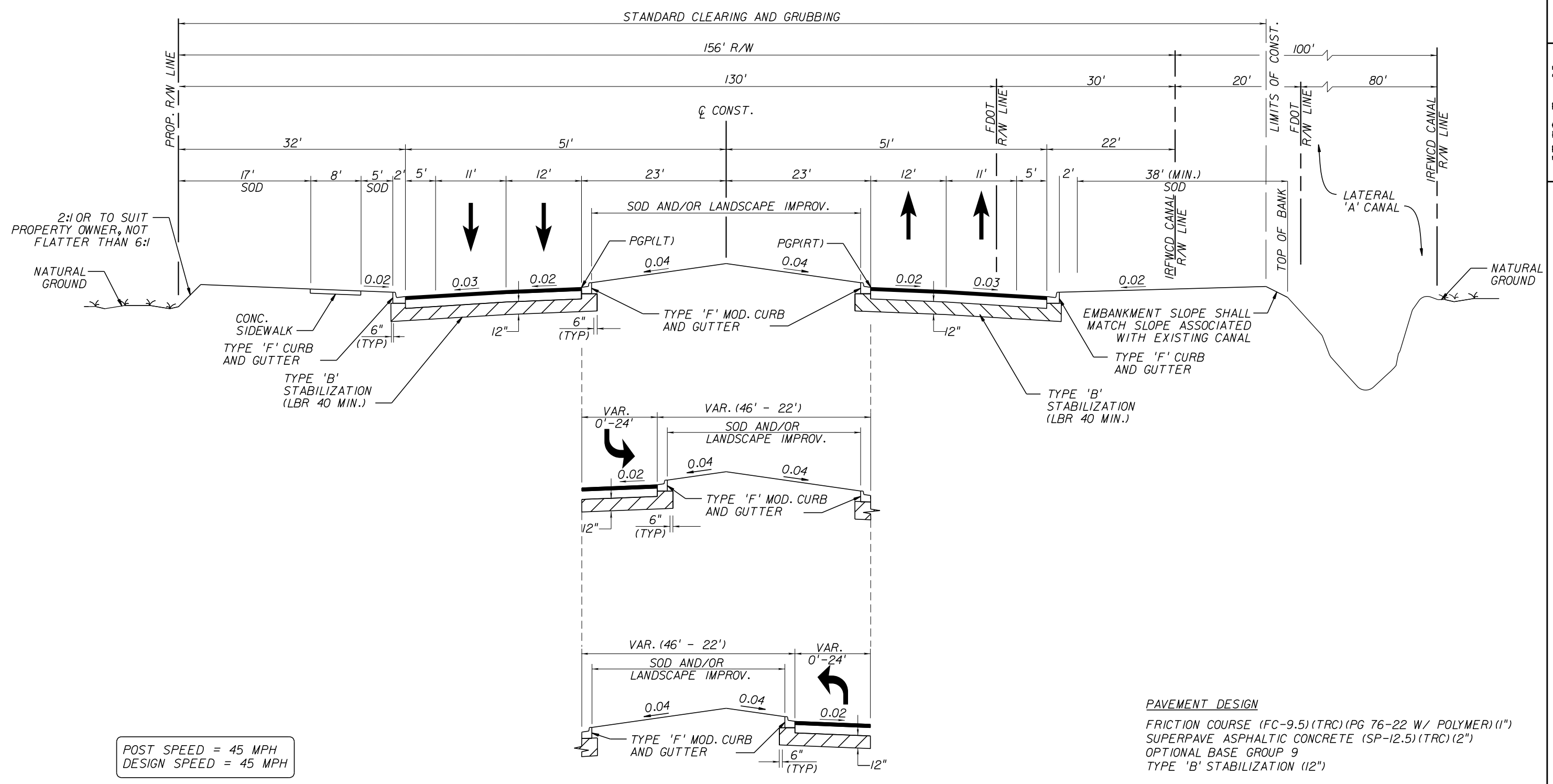
1505 I.R.CO. Proj. No. THE OFFICIAL RECORD OF THIS SHEET IS THE ELECTRONIC FILE DIGITALLY SIGNED AND SEALED UNDER RULE 61G15-23.004, F.A.C.

PAY ITEM FOOTNOTES

- 102-1 COST OF MAINTENANCE OF TRAFFIC SHALL INCLUDE BUT NOT BE LIMITED TO TEMP. BARRIER WALL, CONSTRUCTION SIGNS, TEMPORARY REFLECTIVE PAVEMENT MARKERS, TEMPORARY PAVEMENT MARKINGS, INCIDENTAL TEMPORARY PAVEMENT, DUST CONTROL AND ALL ITEMS NECESSARY TO MEET THE MAINTENANCE OF AS PRESCRIBED IN SECTION 600 OF THE FDOT STANDARD INDEXES.
- 104-2 COST TO INCLUDE, BUT NOT LIMITED TO, ALL MATERIAL, LABOR, MAINTENANCE AND REMOVAL NECESSARY TO PREVENT SEDIMENT TRANSPORT BEYOND THE PROJECT LIMITS INCLUDING SILT FENCE, INLET PROTECTION, STAKED TURBIDITY BARRIERS AND FLOATING TURBIDITY BARRIERS.
- 110-1-1 COST OF CLEARING & GRUBBING TO INCLUDE THE COST OF REMOVAL OF EXISTING IRRIGATION PUMP STATIONS & MOTOR BOXES, FENCING, SIDEWALKS, CURBING, ABANDONED UTILITIES, (INCLUDING CABLES, METER VAULTS & OTHER STRUCTURES), EXISTING WALKS, RIP RAP, VARIOUS TYPES OF FENCES, BASE MATERIAL, VEGETATION, ROOTS DRAINAGE STRUCTURES, PIPE, ANY REQUIRES SAW CUTTING, BACKFILLING THE REMOVED EXCAVATIONS, PLUS ALL OTHER ITEMS NECESSARY TO BE REMOVED TO CONSTRUCT PROJECT. PRIOR TO REMOVAL OF ANY CITRUS TREES, THE CONTRACTOR IS TO COORDINATE WITH COUNTY REPRESENTATIVE TO QUANTIFY TREE IMPACTS.
- 110-7-1 MAILBOXES TO BE REPLACED IN LIKE KIND. COST TO INCLUDE ALL PHASING RELOCATIONS.
- 120-1 ALL GRADING INCLUDING FINAL GRADING TO BE INCLUDED IN THE COST OF EXCAVATION & EMBANKMENT. COST OF ANY ROCK REMOVAL TO BE INCLUDED IN THIS ITEM.
- 120-4 SUBSOIL EXCAVATION IS REQUIRED IN SUBLATERAL CANALS & DITCHES LOCATED UNDER PROPOSED ROADWAY AND DRAINAGE CULVERT IMPROVEMENTS WHEN UNSUITABLE MATERIALS ARE ENCOUNTERED IN PIPE TRENCHING. THE CONTRACTOR SHALL REMOVE THE UNSUITABLE MATERIAL 2.0 FEET BELOW TRENCH BOTTOM, COST OF REPLACEMENT EMBANKMENT TO BE INCLUDED IN PAY ITEM 120-4. CONTRACTOR TO COORDINATE WITH COUNTY REPRESENTATIVE PRIOR TO EXCAVATING.
- 120-5 COST TO INCLUDE CHANNEL EXCAVATION WITHIN LATERAL A CANAL ASSOCIATED WITH 61ST AND 65TH STREET BRIDGES.
- 285-709 THE COST OF THE PRIME COAT SHALL BE INCLUDED IN THE PRICE OF THE BASE.
- 286-1 THE COST OF ASPHALTIC TURNOUT CONSTRUCTION SHALL INCLUDE 2" TYPE S ASPHALTIC CONCRETE, 5" BASE MATERIAL, EARTHWORK, GRADING, & ALL INCIDENTAL WORK NECESSARY FOR CONSTRUCTION.
- 334-1-13 THE TACK COAT SHALL BE INCLUDED IN THE COST OF ASPHALTIC CONCRETE.
- 337-7-82
- 430-964-3 COST TO INCLUDE, BUT NOT LIMITED TO, CLEANOUT FRAME & GRATE AND CONCRETE PAD.
- 440-1-20 COST TO INCLUDE, BUT NOT LIMITED TO, ALL MATERIAL & LABOR ASSOCIATED WITH CONSTRUCTING THE PERFORATED HDPE, NON-PERFORATED HDPE, STONE AGGREGATE, FILTER FABRIC, CLEANOUT FRAME & GRATE AND CONCRETE PAD
- 440-1-60
- 520-1-11 COST OF MAINTENANCE ACCESS MEDIAN DROP CURB IS TO BE PAID FOR AS PARENT CURB.
- 522-2 PEDESTRIAN RAMPS TO BE INCLUDED IN PRICE OF SIDEWALK. ALL SIDEWALK JOINTS ARE TO BE SAWCUT AS PER FDOT SPECIFICATION. TOOLED JOINTS WILL NOT BE PERMITTED. THE COST OF CONCRETE TURNOUT CONSTRUCTION SHALL INCLUDE 6" CONCRETE, EARTHWORK, GRADING, AND ALL INCIDENTAL WORK NECESSARY FOR CONSTRUCTION.
- 530-3-4 COST OF RUBBLE TO INCLUDE COST AND PLACEMENT OF MARAFI FABRIC, BEDDING STONE AND KEYSTONE AGGREGATE.
- 550-10-222 FENCING AND ITS APPURTENANCES TO HAVE A BLACK VINYL COATING.
- 550-60-225
- 570-1-2A THE COST OF SODDING SHALL INCLUDE SOD, FERTILIZER, MOWING, WATER, TOOLS, EQUIPMENT, LABOR, AND ALL INCIDENTAL ITEMS NECESSARY. BAHIA SOD SHALL BE PLACED ON ALL DISTURBED, NON-IRRIGATED AREAS AND SHALL NOT CONFLICT WITH PROPOSED LANDSCAPING DEPICTED WITHIN THE 66TH AVENUE LANDSCAPE COMPONENT PLAN SET. REFER TO LANDSCAPE PLANS FOR LIMITS OF PROPOSED LANDSCAPING IMPROVEMENTS AND IRRIGATED AREAS.
- 730-89 COST TO INCLUDE, BUT NOT LIMITED TO, ALL MATERIAL AND LABOR NECESSARY TO INSTALL, MAINTAIN AND OPERATE THE TEMPORARY PUMPING SYSTEM. THIS SHALL SPECIFICALLY INCLUDE CARRIER PIPES, PAVEMENT RESTORATION, TEMPORARY RUBBLE REVETMENT AND PHASING RELOCATIONS.
- 730-90

REVISIONS					 <small>BRIAN A. GOOD, P.E. P.E. LICENSE NUMBER 56939 445 24th STREET, SUITE 200 VERO BEACH, FL 32960 (772) 794-4100 CERTIFICATE OF AUTHORIZATION# 00000696</small>	INDIAN RIVER COUNTY BOARD OF COUNTY COMMISSIONERS 66th AVENUE ROADWAY WIDENING - PHASE IB 49th STREET TO 69th STREET	PAY ITEM FOOTNOTES	SHEET NO.
DESCRIPTION	DATE	BY	DESCRIPTION	12				

THE OFFICIAL RECORD OF THIS SHEET IS THE ELECTRONIC FILE DIGITALLY SIGNED AND SEALED UNDER RULE 61G15-23.004, F.A.C.

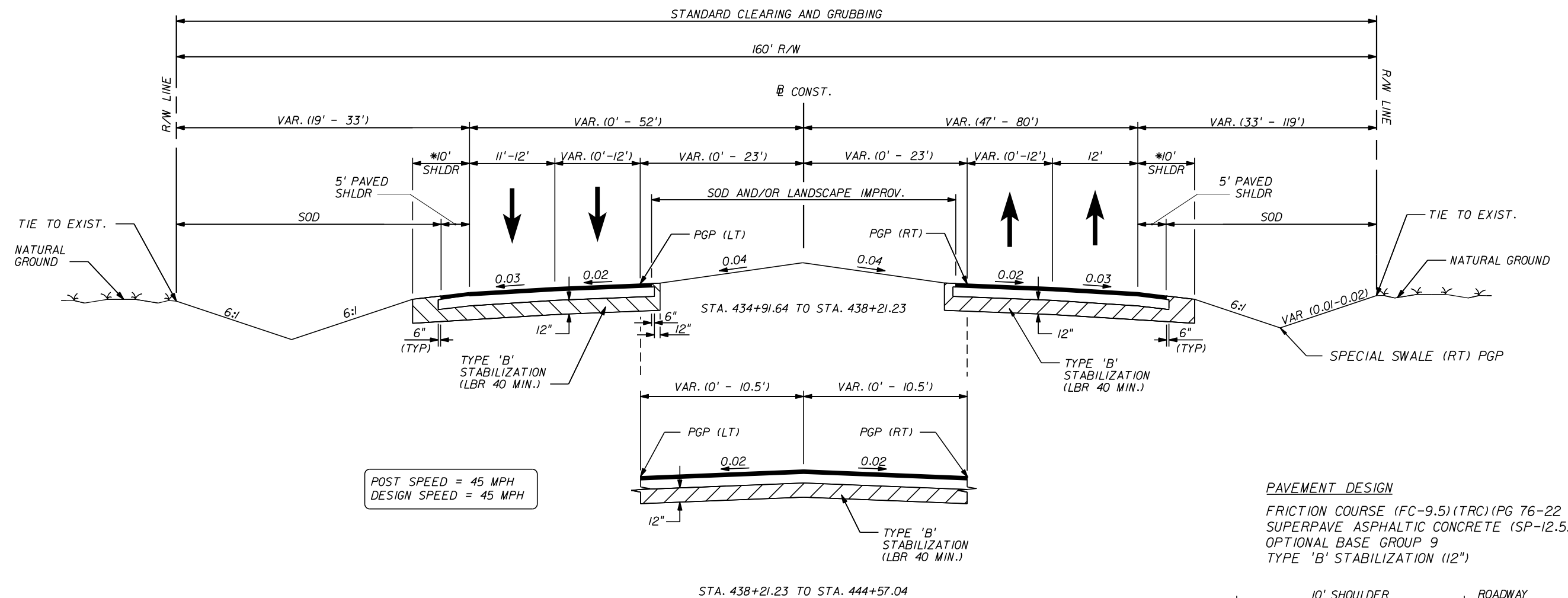


POST SPEED = 45 MPH
 DESIGN SPEED = 45 MPH

PAVEMENT DESIGN
 FRICTION COURSE (FC-9.5)(TRC)(PG 76-22 W/ POLYMER)(1")
 SUPERPAVE ASPHALTIC CONCRETE (SP-12.5)(TRC)(2")
 OPTIONAL BASE GROUP 9
 TYPE 'B' STABILIZATION (12")

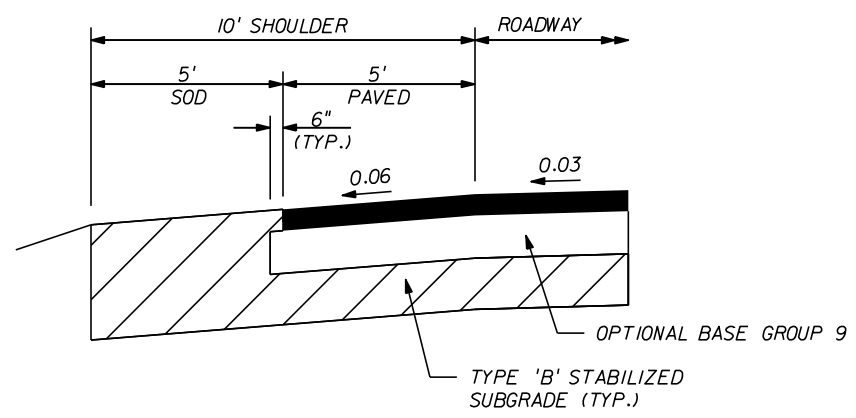
STA. 354+00.00 TO STA. 434+91.64

REVISIONS					Kimley»Horn <small>BRIAN A. GOOD, P.E. P.E. LICENSE NUMBER 56939 445 24th STREET, SUITE 200 VERO BEACH, FL 32960 (772) 794-4100 CERTIFICATE OF AUTHORIZATION# 00000696</small>	INDIAN RIVER COUNTY BOARD OF COUNTY COMMISSIONERS 66th AVENUE ROADWAY WIDENING - PHASE IB 49th STREET TO 69th STREET	66th AVENUE TYPICAL SECTION	SHEET NO.
DESCRIPTION	DATE	BY	DESCRIPTION	13				



POST SPEED = 45 MPH
DESIGN SPEED = 45 MPH

PAVEMENT DESIGN
 FRICTION COURSE (FC-9.5)(TRC)(PG 76-22 W/ POLYMER)(1")
 SUPERPAVE ASPHALTIC CONCRETE (SP-12.5)(TRC)(2")
 OPTIONAL BASE GROUP 9
 TYPE 'B' STABILIZATION (12")



***SHOULDER PAVEMENT DETAIL**
N.T.S.

STA. 434+91.64 TO STA. 444+57.04

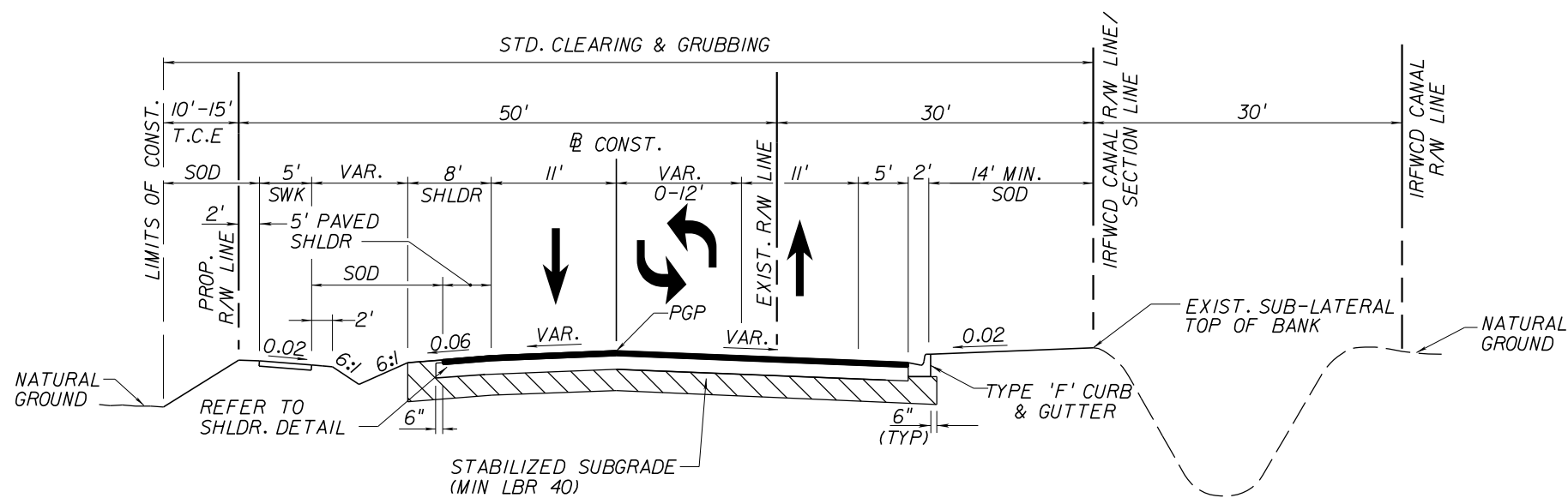
REVISIONS				
NO.	DESCRIPTION	DATE	BY	DESCRIPTION

Kimley»Horn
 BRIAN A. GOOD, P.E.
 P.E. LICENSE NUMBER 56939
 445 24th STREET, SUITE 200
 VERO BEACH, FL 32960
 (772) 794-4100
 CERTIFICATE OF AUTHORIZATION# 00000696

**INDIAN RIVER COUNTY
 BOARD OF COUNTY COMMISSIONERS**
**66th AVENUE ROADWAY WIDENING -
 PHASE IB 49th STREET TO 69th STREET**

**66th AVENUE
 TYPICAL SECTION**

SHEET NO.
14



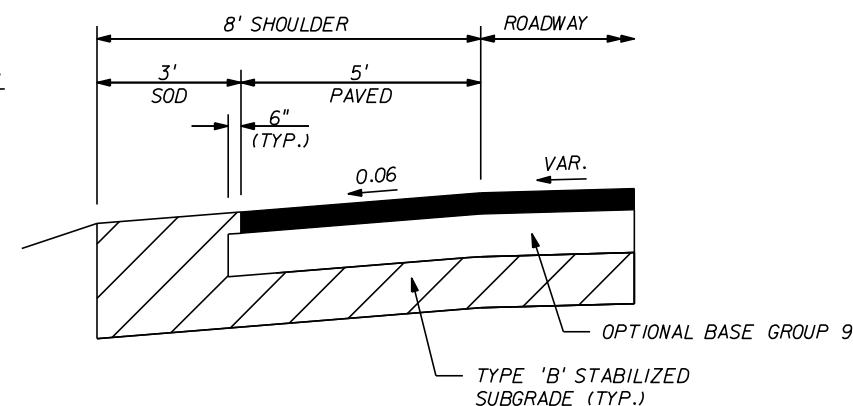
STA. 188+47.81 TO STA. 194+97.81
 STA. 205+01.14 TO STA. 211+51.14

PAVEMENT DESIGN

FRICITION COURSE (FC-9.5)(TRC)(PG 76-22 W/ POLYMER)(1")
 SUPERPAVE ASPHALTIC CONCRETE (SP-12.5)(TRC)(2")
 OPTIONAL BASE GROUP 9
 TYPE 'B' STABILIZATION (12")

STABILIZED ROADWAY DESIGN (STA. 184+47.81 TO STA. 188+47.81)

OPTIONAL BASE GROUP 9
 TYPE 'B' STABILIZATION (12")



***SHOULDER PAVEMENT DETAIL**

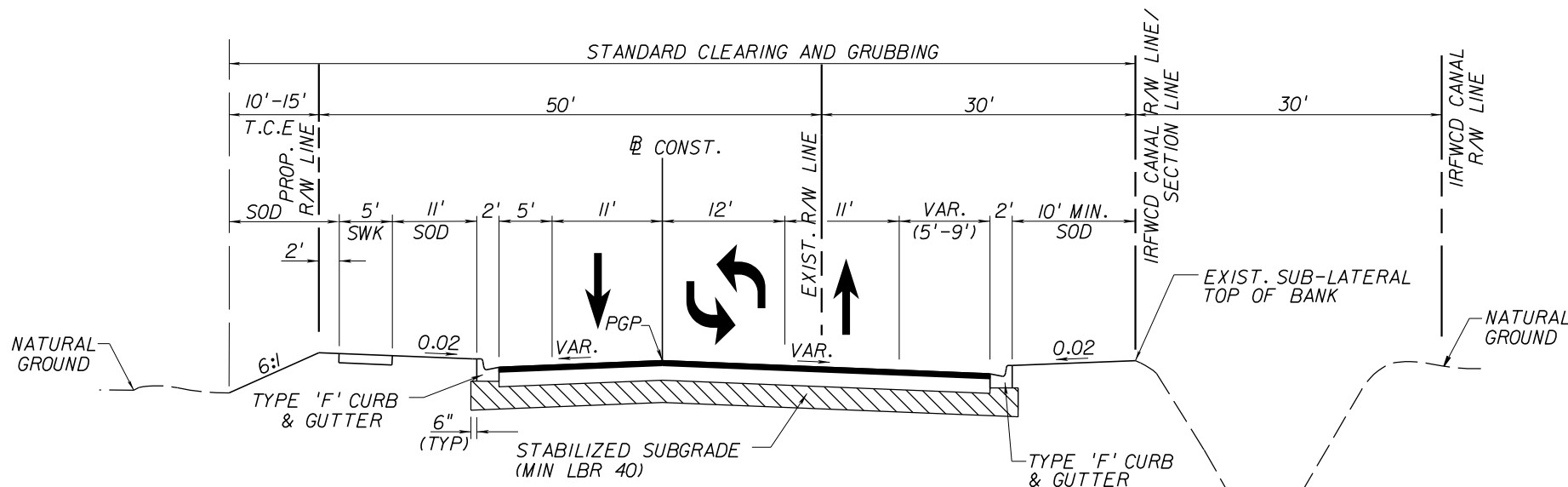
N.T.S.

PAVEMENT DESIGN

FRICITION COURSE (FC-9.5)(TRC)(PG 76-22 W/ POLYMER)(1")
 SUPERPAVE ASPHALTIC CONCRETE (SP-12.5)(TRC)(2")
 OPTIONAL BASE GROUP 9
 TYPE 'B' STABILIZATION (12")

STABILIZED ROADWAY DESIGN (STA. 211+51.14 TO STA. 219+51.14)

OPTIONAL BASE GROUP 9
 TYPE 'B' STABILIZATION (12")



POST SPEED = 45 MPH
 DESIGN SPEED = 45 MPH

STA. 194+97.81 TO STA. 205+01.14

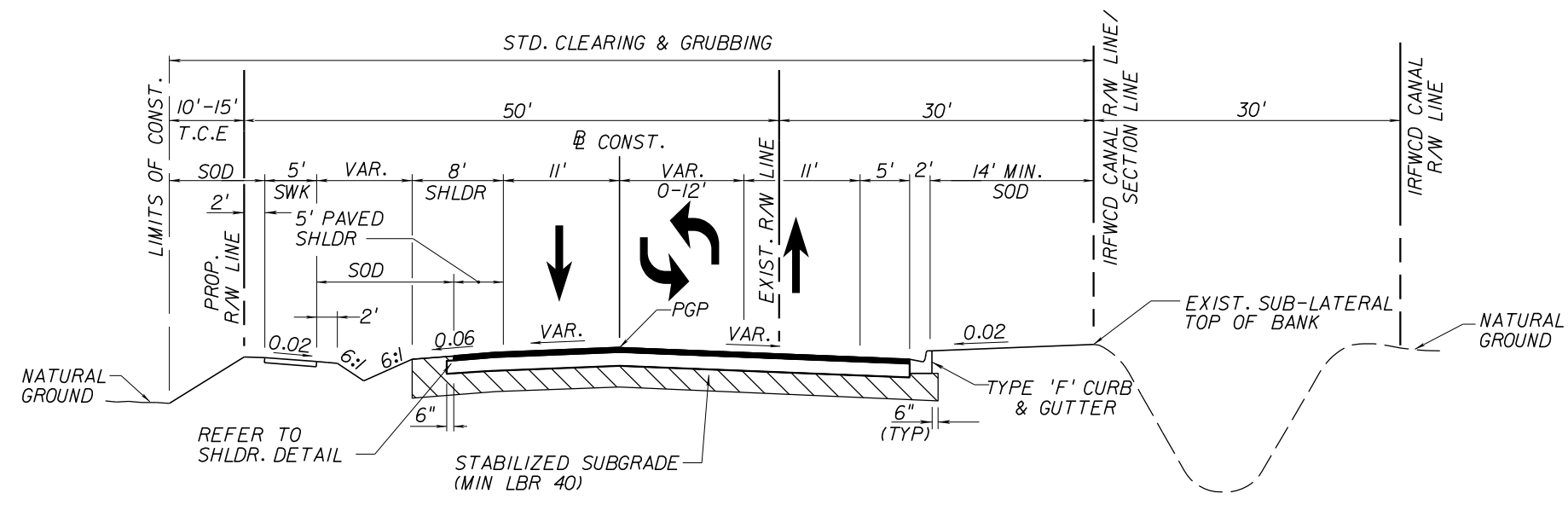
REVISIONS				
DESCRIPTION	DATE	BY	DESCRIPTION	

Kimley»Horn
 BRIAN A. GOOD, P.E.
 P.E. LICENSE NUMBER 56939
 445 24th STREET, SUITE 200
 VERO BEACH, FL 32960
 (772) 794-4100
 CERTIFICATE OF AUTHORIZATION# 00000696

**INDIAN RIVER COUNTY
 BOARD OF COUNTY COMMISSIONERS**
 66th AVENUE ROADWAY WIDENING -
 PHASE IB 49th STREET TO 69th STREET

**61st STREET
 TYPICAL SECTION**

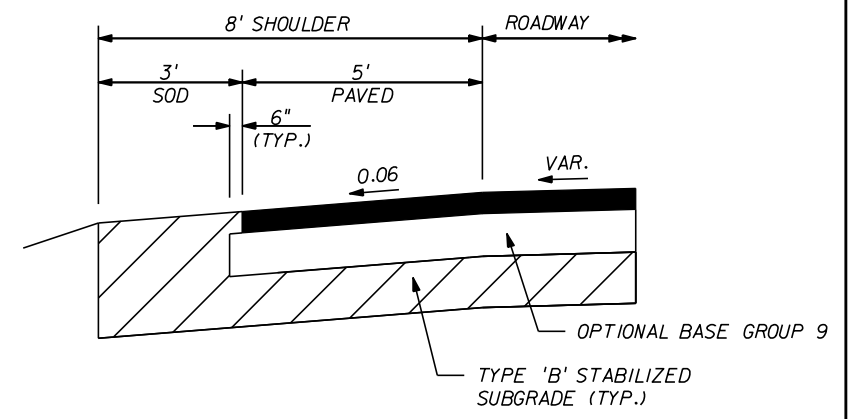
SHEET NO.
 15



STA. 187+21.23 TO STA. 194+21.23
 STA. 205+00.92 TO STA. 217+50.84

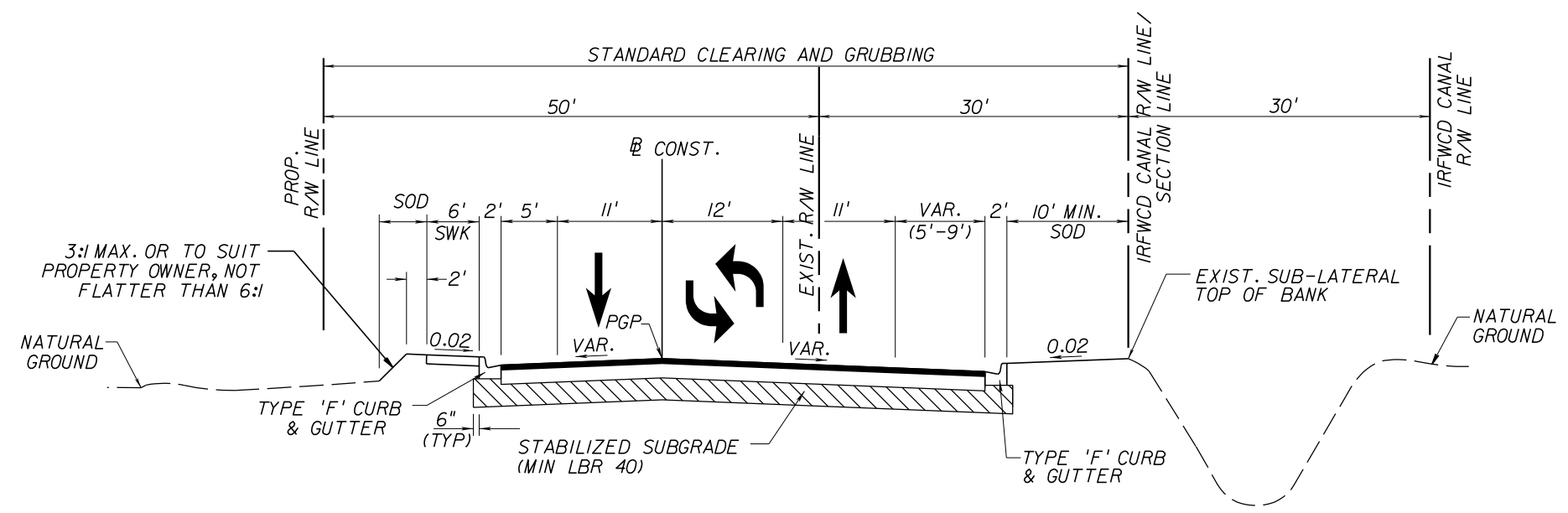
PAVEMENT DESIGN
 FRICTION COURSE (FC-9.5) (TRC) (PG 76-22 W/ POLYMER) (1")
 SUPERPAVE ASPHALTIC CONCRETE (SP-12.5) (TRC) (2")
 OPTIONAL BASE GROUP 9
 TYPE 'B' STABILIZATION (12")

STABILIZED ROADWAY DESIGN (STA. 181+48.04 TO STA. 187+98.04)
 OPTIONAL BASE GROUP 9
 TYPE 'B' STABILIZATION (12")



***SHOULDER PAVEMENT DETAIL**
 N.T.S.

PAVEMENT DESIGN
 FRICTION COURSE (FC-9.5) (TRC) (PG 76-22 W/ POLYMER) (1")
 SUPERPAVE ASPHALTIC CONCRETE (SP-12.5) (TRC) (2")
 OPTIONAL BASE GROUP 9
 TYPE 'B' STABILIZATION (12")



POST SPEED = 45 MPH
 DESIGN SPEED = 45 MPH

STA. 194+21.23 TO STA. 205+00.92

REVISIONS				
DESCRIPTION	DATE	BY	DESCRIPTION	

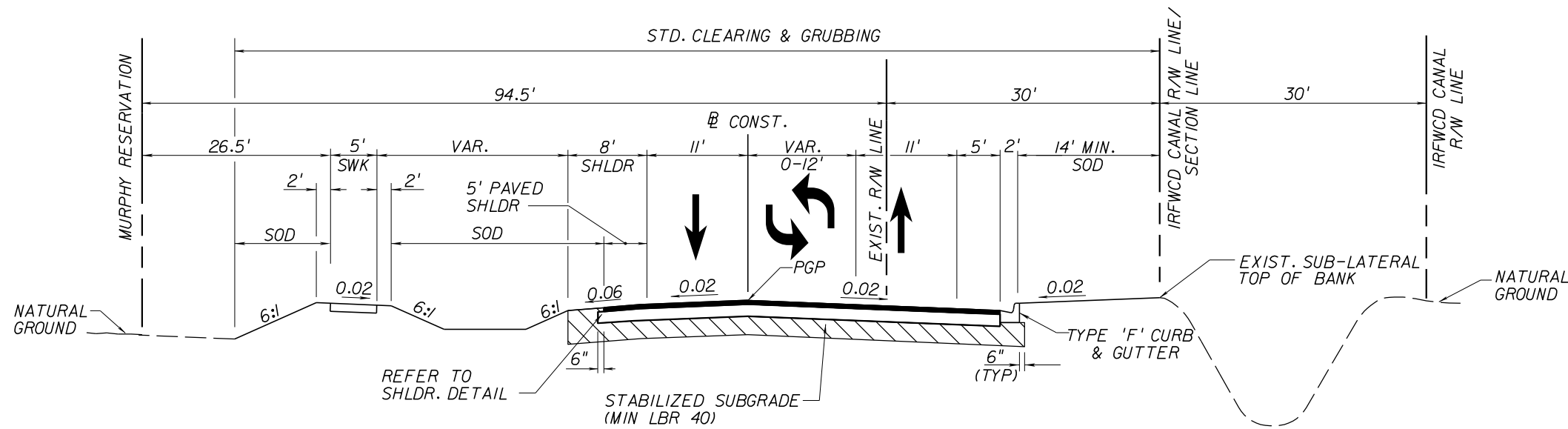
Kimley»Horn
 BRIAN A. GOOD, P.E.
 P.E. LICENSE NUMBER 56939
 445 24th STREET, SUITE 200
 VERO BEACH, FL 32960
 (772) 794-4100
 CERTIFICATE OF AUTHORIZATION# 00000696

**INDIAN RIVER COUNTY
 BOARD OF COUNTY COMMISSIONERS**
**66th AVENUE ROADWAY WIDENING -
 PHASE IB 49th STREET TO 69th STREET**

**65th STREET
 TYPICAL SECTION**

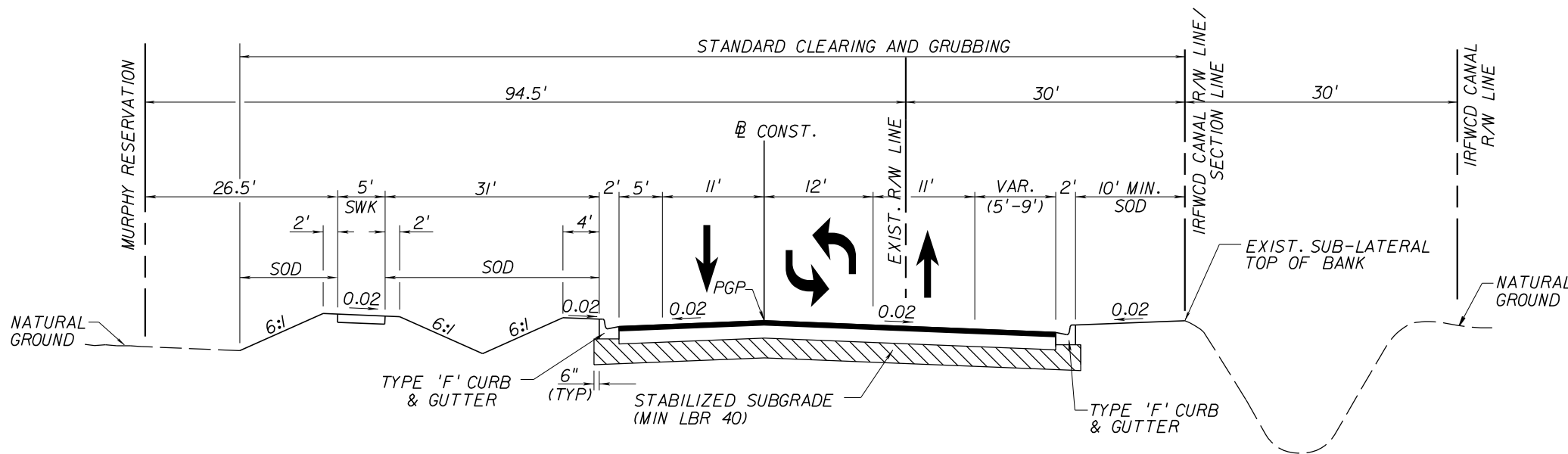
SHEET NO.
 16

PAVEMENT MILLING: STA. 185+00.00 TO STA. 185+49.42
 MILL EXISTING PAVEMENT (1" AVG DEPTH)
 PAVEMENT RESURFACING: STA. 185+00.00 TO STA. 185+49.42
 FRICTION COURSE (FC-9.5)(TRC)(PG 76-22 W/ POLYMER)(1")

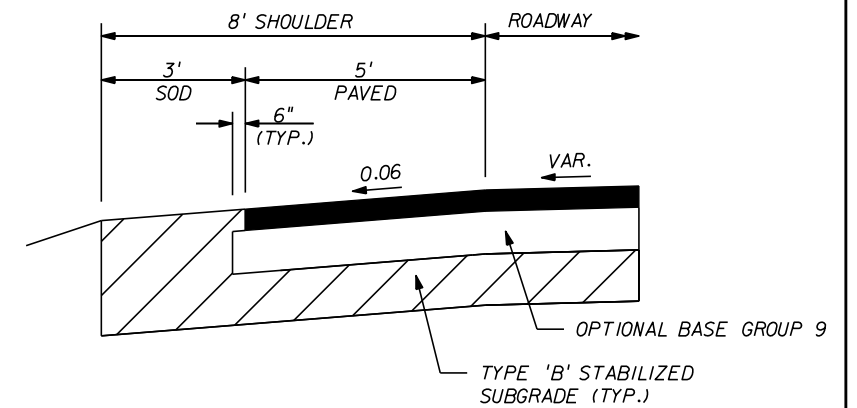


STA. 185+49.42 TO STA. 194+99.42
 STA. 205+01.01 TO STA. 214+01.01

PAVEMENT DESIGN
 FRICTION COURSE (FC-9.5)(TRC)(PG 76-22 W/ POLYMER)(1")
 SUPERPAVE ASPHALTIC CONCRETE (SP-12.5)(TRC)(2")
 OPTIONAL BASE GROUP 9
 TYPE 'B' STABILIZATION (12")



STA. 194+99.42 TO STA. 205+01.01



***SHOULDER PAVEMENT DETAIL**
 N.T.S.

PAVEMENT DESIGN
 FRICTION COURSE (FC-9.5)(TRC)(PG 76-22 W/ POLYMER)(1")
 SUPERPAVE ASPHALTIC CONCRETE (SP-12.5)(TRC)(2")
 OPTIONAL BASE GROUP 9
 TYPE 'B' STABILIZATION (12")

POST SPEED = 45 MPH
 DESIGN SPEED = 45 MPH

REVISIONS				
NO.	DESCRIPTION	DATE	BY	DESCRIPTION

Kimley»Horn
 BRIAN A. GOOD, P.E.
 P.E. LICENSE NUMBER 56939
 445 24th STREET, SUITE 200
 VERO BEACH, FL 32960
 (772) 794-4100
 CERTIFICATE OF AUTHORIZATION# 00000696

**INDIAN RIVER COUNTY
 BOARD OF COUNTY COMMISSIONERS**
 66th AVENUE ROADWAY WIDENING -
 PHASE IB 49th STREET TO 69th STREET

**69th STREET
 TYPICAL SECTION**

SHEET
 NO.
 17

SUMMARY OF FENCE

DESCRIPTION	LOCATION				SIDE	UNIT	QUANTITY				COMMENT	FIELD BOOK REFERENCE
	STA. TO STA.						PLAN		FINAL			
61ST ST												
FENCING (TYPE B)(6.0')(WITH VINYL COATING)	188+61.98	TO	192+45.64		LT	LF	1068				1068	BLACK VINYL
FENCE GATE (TYPE B)(DOUBLE)(24.0' OPENING)	188+66.19	TO	188+90.19		LT	EA	1				1	BLACK VINYL
66TH AVE												
FENCING (TYPE B)(6.0')(WITH VINYL COATING)	401+52.53	TO	405+00.39		LT	LF	1180				2,390	BLACK VINYL
	427+68.39	TO	431+74.49		LT		1210					BLACK VINYL
FENCE GATE (TYPE B)(DOUBLE)(24.0' OPENING)	404+73.29	TO	404+97.29		LT	EA	1				2	BLACK VINYL
	431+50.49	TO	431+74.49		LT		1					BLACK VINYL
65TH ST												
FENCING (TYPE A)(5.0')(STANDARD)	181+88.15	TO	184.43.29		LT	LF	256				256	
FENCING (TYPE A)(4.0')(STANDARD)	184+71.29	TO	187+98.81		LT	LF	328				328	
FENCING (WOOD)(4.0')(3 RAIL SPLIT RAIL)	191+54.53	TO	194+20.91		LT	LF	267				267	
FENCING (TYPE B)(6.0')(WITH VINYL COATING)	194+90.02	TO	199+12.58		RT	LF	1105				1105	BLACK VINYL
FENCING (TYPE B)(6.0')(STANDARD)	201+72.92	TO	208+24.66		LT	LF	661				661	
FENCING (WOOD)(5.0')(3 RAIL SPLIT RAIL)	211+52.53	TO	212+49.67		LT	LF	88				696	
	213+46.91	TO	217+28.23		LT		382					
	217+51.87	TO	219+46.00		LT		226					
FENCE GATE (TYPE B)(DOUBLE)(24.0' OPENING)	194+95.00	TO	195+19.00		RT	EA	1				1	BLACK VINYL
FENCE GATE (TYPE B)(SINGLE)(16.0' OPENING)	204+19.28	TO	204+35.28		LT	EA	1				1	
FENCE GATE (WOOD)(SINGLE)(10.0' OPENING)	211+58.22	TO	211+68.22		LT	EA	1				1	

SUMMARY OF GUARDRAIL

LOCATION			GUARDRAIL (LF)		END ANCHORAGE ASSEMBLIES (EA)			REMARKS	FIELD BOOK REFERENCE	
STATION	OFFSET	SIDE	ROADWAY		TYPE II		MELT			ET-2000
			PLAN	FINAL	PLAN	FINAL	PLAN			FINAL
66TH AVE										
FROM	364+10.81			99					1	
TO	365+02.13									
FROM	365+64.33		RT	77		1				
TO	366+34.39									
FROM	390+86.41		RT	99					1	
TO	391+77.87									
FROM	392+39.07		RT	80		1				
TO	393+10.34									
61ST ST										
FROM	201+56+13		RT	69					1	
TO	202+32.87									
FROM	201+55.94		LT	44			1			
TO	202+38.69									
65TH ST										
FROM	201+50.40		RT	69					1	
TO	202+27.15									
FROM	201+50.25		LT	44			1			
TO	202+32.98									
TOTAL				581		2	2	4		

SUMMARY OF EARTHWORK

STREET NAME / DESCRIPTION	REGULAR EXCAVATION		EMBANKMENT		SUBSOIL EXCAVATION		CHANNEL EXCAVATION	
	VOL (CY)		VOL (CY)		VOL (CY)		VOL (CY)	
	PLAN	FINAL	PLAN	FINAL	PLAN	FINAL	PLAN	FINAL
66 TH AVENUE	8,533		100,527		1,499			0
61 ST STREET	4,007		7,657		984			465
65 TH STREET	2,708		9,599		363			425
69 TH STREET	3,667		6,933		352			0
POND 66B-1	11,665		980		0			0
POND 66B-2	10,132		530		0			0
POND 66C	19,538		1,260		0			0
POND 66D	21,345		638		0			0
TOTAL	81,595		128,124		3,198			890

SUMMARY OF DITCH PAVEMENT

LOCATION STA. TO STA./STRUCTURE	SIDE	RIPRAP (DITCH LINING)		BEDDING STONE		COMMENT	FIELD BOOK REFERENCE
		TN		TN			
		PLAN	FINAL	PLAN	FINAL		
61ST STREET							
STA. 187+93.03	RT	15					
STA. 188+12.56	RT	15					
STA. 189+37.87	RT	15					
STA. 194+09.87	RT	8					
STA. 196+40.00	RT	84					
STA. 200+91.95 - 201+46.52	LT	275					
STA. 200+95.25 - 201+46.98	RT	315					
STA. 202+90.96	RT	84					
STA. 214+39.59	RT	15					
65TH STREET							
STA. 182+65.95	RT	8					
STA. 189+46.11	RT	15					
STA. 191+10.16	RT	15					
STA. 194+63.50	RT	84					
STA. 200+92.44 - 201+47.33	RT	300					
STA. 200+93.64 - 201+48.57	LT	250					
STA. 202+91.33	RT	84					
STA. 207+90.00	RT	15					
STA. 211+41.10	RT	15					
STA. 217+89.59	RT	16					
69TH STREET							
STA. 185+33.60	RT	15					
STA. 186+60.00	RT	15					
STA. 194+68.28	RT	15					
STA. 197+49.17	RT	84					
STA. 200+52.53 - 201+40.39	RT	225					
STA. 201+19.42	LT	82					
STA. 202+67.41	RT	84					
STA. 217+12.83	RT	15					
TOTAL		2163					

REVISIONS

DESCRIPTION	DATE	BY	DESCRIPTION

Kimley»Horn
BRIAN A. GOOD, P.E.
 P.E. LICENSE NUMBER 56939
 445 24th STREET, SUITE 200
 VERO BEACH, FL 32960
 (772) 794-4100
 CERTIFICATE OF AUTHORIZATION# 00000696

**INDIAN RIVER COUNTY
 BOARD OF COUNTY COMMISSIONERS**
**66th AVENUE ROADWAY WIDENING -
 PHASE IB 49th STREET TO 69th STREET**

SUMMARY OF QUANTITIES

SUMMARY OF TURNOUTS										
STATION	SIDE	WIDTH (FT)	LENGTH (FT)	CONCRETE AREA (SY)		ASPHALT AREA (SY)		STABILIZED AREA (SY)		FIELD BOOK REFERENCE
				CONCRETE DRIVEWAY (6" THICK)		TYPE SP-12.5 STR. COURSE (TRAF.C) (2") CEMENTED COQUINA LBR100 (5")		TYPE 'B' STABILIZATION		
				PLAN	FINAL	PLAN	FINAL	PLAN	FINAL	
66TH AVE										
378+23.02	LT	12	30	25.1		22.7		-		
384+67.17	LT	12	41	25.0		37.4		-		
385+01.17	LT	12	41	25.2		37.3		-		
404+89.18	LT	12	30	25.1		22.7		420.5		
405+79.45	LT	24	30	42.4		45.3		-		
406+23.45	LT	12	30	25.1		22.7		-		
407+26.72	LT	12	30	25.1		22.7		-		
409+19.62	LT	12	30	25.1		22.7		-		
410+74.15	LT	24	30	42.5		45.3		-		
412+20.69	LT	24	30	42.4		45.3		-		
413+31.02	LT	18	30	33.8		34.0		-		
415+31.26	LT	12	38	25.1		33.3		-		
425+34.82	LT	12	38	25.3		33.5		-		
425+72.82	LT	12	30	25.3		22.7		-		
431+66.50	LT	15	30	29.4		28.3		78.7		
432+44.95	LT	14	30	28.0		26.4		-		
433+65.70	LT	12	30	25.1		22.7		-		
435+32.69	LT	12	32.5	-		72.1		-		
441+31.40	LT	12	119	-		189.8		-		
UNFORESEEN				150.0		150.0				
SUB-TOTAL				645.2		936.8		499.2		
61ST ST										
187+72.22	LT	12	43	-		-		68.3		
188+26.79	LT	12	40	-		-		58.1		
188+78.19	LT	15	31.5	64.5		-		44.0		
194+06.27	LT	12	37	38.9		22.7		-		
194+38.27	RT	24	-	37.8		-		-		
194+47.53	LT	12	36.1	37.7		22.7		-		
202+58.87	RT	12	120	24.6		160.3		-		
202+62.01	LT	12	125.5	27.4		167.4		-		
208+40.15	LT	24	26.7	-		122.9		-		
214+76.41	LT	24	48.5	-		188.0		-		
SUB-TOTAL				230.8		684.0		170.4		

SUMMARY OF TURNOUTS										
STATION	SIDE	WIDTH (FT)	LENGTH (FT)	CONCRETE AREA (SY)		ASPHALT AREA (SY)		STABILIZED AREA (SY)		FIELD BOOK REFERENCE
				CONCRETE DRIVEWAY (6" THICK)		TYPE SP-12.5 STR. COURSE (TRAF.C) (2") CEMENTED COQUINA LBR100 (5")		TYPE 'B' STABILIZATION		
				PLAN	FINAL	PLAN	FINAL	PLAN	FINAL	
65TH ST										
181+60.87	LT	46	55	-		-		427		
181+81.97	RT	22	9	-		-		30		
183+10.56	RT	15	11	-		-		31		
184+57.29	LT	18	48	-		-		122		
186+48.34	RT	30	16	-		-		79		
188+32.06	RT	12	12	27.2		-		-		
188+32.52	LT	14	33.3	64		-		-		
189+77.73	LT	14	31	59.5		-		-		
191+27.64	LT	24	27.4	13.3		65.2		5.3		
192+60.00	LT	24	24.76	78.3		-		-		
193+88.24	RT	12	13.7	29.4		-		-		
194+75.24	LT	15	19.5	50.75		-		-		
195+07.50	RT	15	14	34.4		-		95.6		
202+59.98	RT	12	121	24.6		161.3		-		
202+60.00	LT	12	123.8	27.9		165.0		-		
204+27.28	LT	16	18	43.1		-		-		
204+93.72	RT	15	14	34.4		-		-		
208+61.62	LT	20	32.8	110.0		-		-		
211+76.26	RT	12	11.5	26.4		-		-		
212+77.56	LT	20.4	37	99.5		-		-		
214+55.40	RT	12	10	24.4		-		-		
217+41.21	LT	12.5	48	-		58.2		28.9		
SUB-TOTAL				747.2		449.7		818.8		
69TH ST										
182+90.52	LT	12	62.4	95.4		-		-		
185+68.60	LT	12	57.6	89.0		-		-		
188+29.11	RT	14	11.7	29.3		-		-		
189+00.97	LT	12	51.9	80.1		-		-		
191+04.56	LT	12	46.4	75.1		-		-		
192+92.30	LT	15	42.4	82.9		-		-		
194+42.07	LT	15	39.2	77.6		-		-		
195+09.43	RT	12	14.4	29.8		-		-		
202+29.93	RT	12	93.5	24.4		124.6		-		
202+29.93	LT	12	93.5	27.4		124.6		-		
203+63.73	RT	15	14	34.4		-		-		
204+10.43	LT	15	36	76.9		-		-		
213+83.73	RT	15	-	28.0		-		-		
SUB-TOTAL				750.4		249.2				
PROJECT TOTAL				2373.6		2319.7		1488.4		

REVISIONS				
DESCRIPTION	DATE	BY	DESCRIPTION	

Kimley»Horn
 BRIAN A. GOOD, P.E.
 P.E. LICENSE NUMBER 56939
 445 24th STREET, SUITE 200
 VERO BEACH, FL 32960
 (772) 794-4100
 CERTIFICATE OF AUTHORIZATION# 00000696

INDIAN RIVER COUNTY BOARD OF COUNTY COMMISSIONERS
66th AVENUE ROADWAY WIDENING - PHASE IB 49th STREET TO 69th STREET

SUMMARY OF QUANTITIES

SHEET NO.
19

1505 I.R.CO. Proj. No. THE OFFICIAL RECORD OF THIS SHEET IS THE ELECTRONIC FILE DIGITALLY SIGNED AND SEALED UNDER RULE 61G15-23.004, F.A.C.

1505 I.R.CO. Proj. No. THE OFFICIAL RECORD OF THIS SHEET IS THE ELECTRONIC FILE DIGITALLY SIGNED AND SEALED UNDER RULE 61G15-23.004, F.A.C.

CONTROL POINT: CP 1

STA. 360+15.30, 81.73' RT
FOUND: 3/4" IRON REBAR & CAP
NORTHING: 1225165.17
EASTING: 830061.74
EL: 20.63

CONTROL POINT: CP 2

STA. 370+60.82, 82.36' RT
FOUND: 3/4" IRON REBAR & CAP
NORTHING: 1226210.97
EASTING: 830064.17
EL: 21.06

CONTROL POINT: CP 3

STA. 381+07.18, 82.67' RT
FOUND: 3/4" IRON REBAR & CAP
NORTHING: 1227257.34
EASTING: 830064.61
EL: 21.32

CONTROL POINT: CP 4

STA. 391+67.34, 80.04' RT
FOUND: MAG NAIL & WASHER
NORTHING: 1228317.50
EASTING: 830062.10
EL: 22.72

CONTROL POINT: CP 5

STA. 407+82.19, 82.39' RT
FOUND: 3/4" IRON REBAR & CAP
NORTHING: 1229932.35
EASTING: 830064.64
EL: 21.44

CONTROL POINT: CP 6

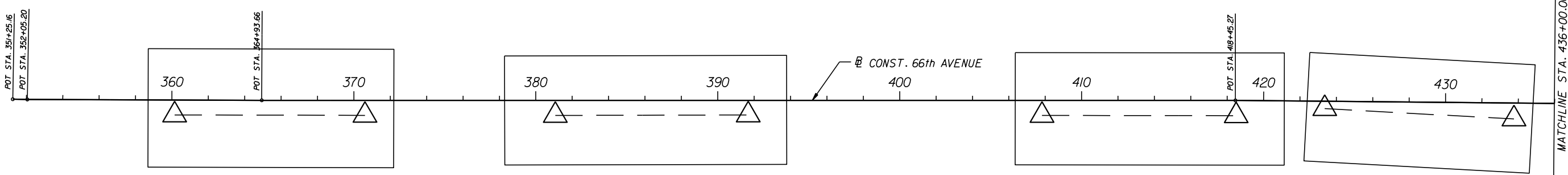
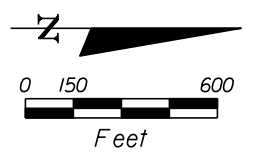
STA. 418+50.29, 83.49' RT
FOUND: MAG NAIL & WASHER
NORTHING: 1230999.68
EASTING: 830065.92
EL: 22.44

CONTROL POINT: CP 7

STA. 423+36.78, 40.42' RT
FOUND: 3/4" IRON REBAR & CAP
NORTHING: 1231486.55
EASTING: 830027.39
EL: 21.95

CONTROL POINT: CP 8

STA. 433+76.99, 87.46' RT
FOUND: 3/4" IRON REBAR & CAP
NORTHING: 1232526.27
EASTING: 830084.12
EL: 21.77



CONTROL POINT: CP 9

STA. 444+14.22, 47.47' RT
FOUND: MAG NAIL & WASHER
NORTHING: 1233563.83
EASTING: 830053.80
EL: 22.57

CONTROL POINT: CP 10

STA. 450+66.46, 89.57' RT
FOUND: 3/4" IRON REBAR & CAP
NORTHING: 1234215.66
EASTING: 830101.97
EL: 21.52

CONTROL POINT: CP 11

STA. 460+94.27, 10.27' LT
FOUND: 3/4" IRON REBAR & CAP
NORTHING: 1235236.79
EASTING: 830118.04
EL: 21.07

CONTROL POINT: CP 12

STA. 471+56.91, 59.17' RT
FOUND: 3/4" IRON REBAR & CAP
NORTHING: 1236304.95
EASTING: 830173.44
EL: 22.09

CONTROL POINT: CP 13

STA. 481+71.44, 65.11' RT
FOUND: 3/4" IRON REBAR & CAP
NORTHING: 1237308.64
EASTING: 830149.57
EL: 22.37

CONTROL POINT: CP 14

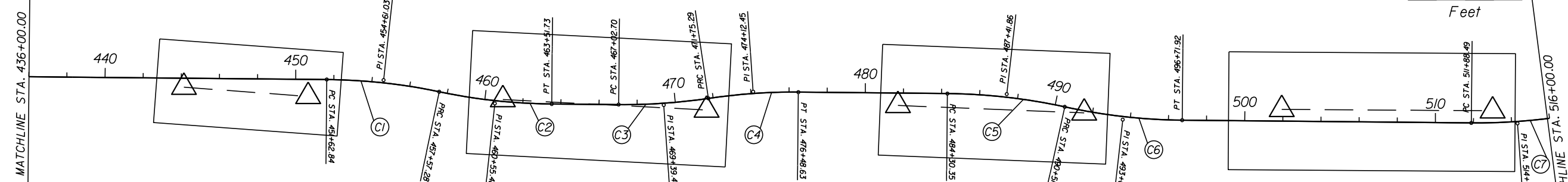
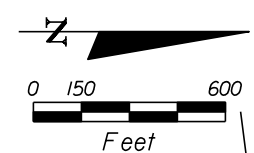
STA. 491+57.03, 10.90' RT
FOUND: 3/4" IRON REBAR & CAP
NORTHING: 1238285.72
EASTING: 830188.48
EL: N/A

CONTROL POINT: CP 15

STA. 501+93.78, 61.49' LT
FOUND: 3/4" IRON REBAR & CAP
NORTHING: 1239322.03
EASTING: 830170.24
EL: N/A

CONTROL POINT: CP 16

STA. 513+02.59, 62.69' LT
FOUND: 3/4" IRON REBAR & CAP
NORTHING: 1240428.41
EASTING: 830177.50
EL: N/A



CURVE DATA C1
PI STA. = 454+61.03
DELTA = 11° 21' 11" (RT)
D = 54' 35"
T = 298.20
L = 594.44
R = 3,000.00
PC STA. = 451+62.84
PT STA. = 457+57.28

CURVE DATA C2
PI STA. = 460+55.48
DELTA = 11° 21' 11" (LT)
D = 54' 35"
T = 298.20
L = 594.45
R = 3,000.00
PC STA. = 457+57.28
PT STA. = 463+51.73

CURVE DATA C3
PI STA. = 469+39.48
DELTA = 9° 01' 33" (LT)
D = 54' 35"
T = 236.79
L = 472.59
R = 3,000.00
PC STA. = 467+02.70
PT STA. = 471+75.29

CURVE DATA C4
PI STA. = 474+12.45
DELTA = 9° 02' 25" (RT)
D = 54' 35"
T = 237.17
L = 473.35
R = 3,000.00
PC STA. = 471+75.29
PT STA. = 476+48.63

CURVE DATA C5
PI STA. = 487+41.86
DELTA = 11° 51' 22" (RT)
D = 54' 35"
T = 311.50
L = 620.78
R = 3,000.00
PC STA. = 484+30.35
PT STA. = 490+51.14

CURVE DATA C6
PI STA. = 493+62.64
DELTA = 11° 51' 22" (LT)
D = 54' 35"
T = 311.50
L = 620.78
R = 3,000.00
PC STA. = 490+51.14
PT STA. = 496+71.92

CURVE DATA C7
PI STA. = 514+31.15
DELTA = 9° 14' 56" (LT)
D = 54' 35"
T = 242.66
L = 484.26
R = 3,000.00
PC STA. = 511+88.49
PT STA. = 516+72.75

CONTROL POINT: CP 17

STA. 518+40.85, 18.64' LT
FOUND: MAG NAIL
NORTHING: 1240963.62
EASTING: 830167.54
EL: N/A

CONTROL POINT: CP 18

STA. 525+45.87, 30.00' RT
FOUND: PK NAIL
NORTHING: 1241669.97
EASTING: 830206.20
EL: N/A

CONTROL POINT: CP 19

STA. 525+94.90, 65.14' RT
FOUND: PK NAIL
NORTHING: 1241719.92
EASTING: 830240.63
EL: N/A

CONTROL POINT: CP 20

STA. 533+27.60, 63.20' RT
FOUND: PK NAIL
NORTHING: 1242453.46
EASTING: 830220.86
EL: N/A

CONTROL POINT: CP 21

STA. 538+89.20, 21.74' RT
FOUND: PK NAIL
NORTHING: 1243013.24
EASTING: 830168.76
EL: 22.18

CONTROL POINT: CP 22

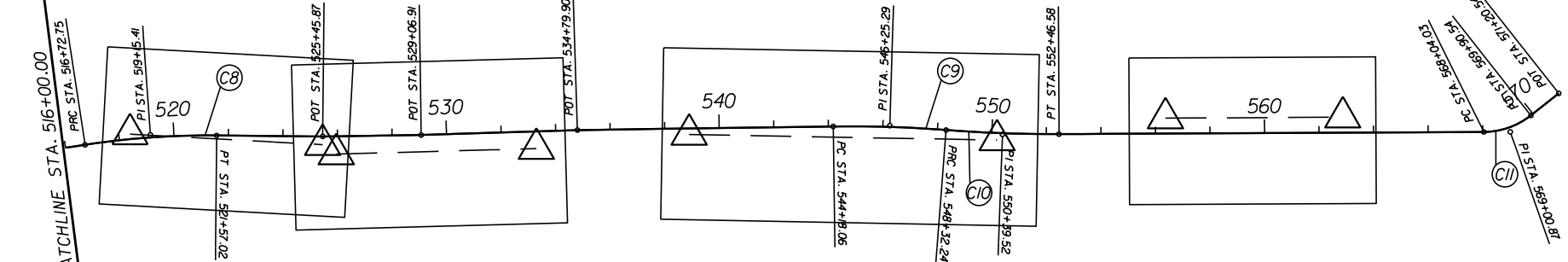
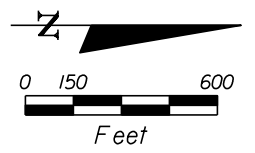
STA. 550+20.62, 25.75' RT
FOUND: PK NAIL
NORTHING: 1244142.57
EASTING: 830189.42
EL: 22.47

CONTROL POINT: CP 23

STA. 556+36.89, 56.73' LT
FOUND: PK NAIL
NORTHING: 1244759.53
EASTING: 830108.92
EL: 20.48

CONTROL POINT: CP 24

STA. 562+87.07, 56.53' LT
FOUND: PK NAIL
NORTHING: 1245409.70
EASTING: 830105.80
EL: 21.37



CURVE DATA C8
PI STA. = 519+15.41
DELTA = 9° 14' 56" (LT)
D = 54' 35"
T = 242.66
L = 484.27
R = 3,000.00
PC STA. = 516+72.75
PT STA. = 521+57.02

CURVE DATA C9
PI STA. = 546+25.29
DELTA = 5° 16' 24" (RT)
D = 16' 24"
T = 207.23
L = 414.17
R = 4,500.00
PC STA. = 544+18.06
PT STA. = 548+32.24

CURVE DATA C10
PI STA. = 550+39.52
DELTA = 4° 44' 53" (LT)
D = 08' 45"
T = 207.29
L = 414.34
R = 5,000.00
PC STA. = 548+32.24
PT STA. = 552+46.58

CURVE DATA C11
PI STA. = 569+00.87
DELTA = 38° 03' 27" (LT)
D = 20° 24' 19"
T = 96.84
L = 186.51
R = 280.79
PC STA. = 568+04.03
PT STA. = 569+90.54

REVISIONS			
DESCRIPTION	DATE	BY	DESCRIPTION

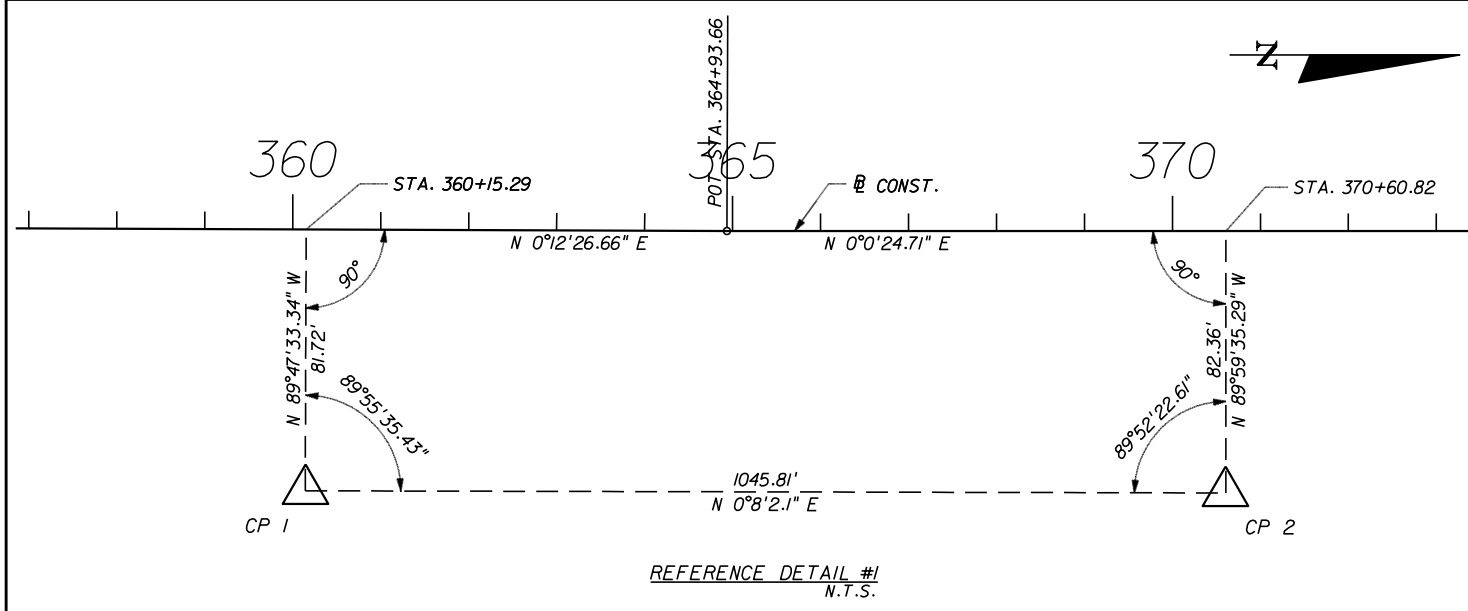
Kimley»Horn
BRIAN A. GOOD, P.E.
P.E. LICENSE NUMBER 56939
445 24th STREET, SUITE 200
VERO BEACH, FL 32960
(772) 794-4100
CERTIFICATE OF AUTHORIZATION# 00000696

INDIAN RIVER COUNTY BOARD OF COUNTY COMMISSIONERS
66th AVENUE ROADWAY WIDENING - PHASE IB 49th STREET TO 69th STREET

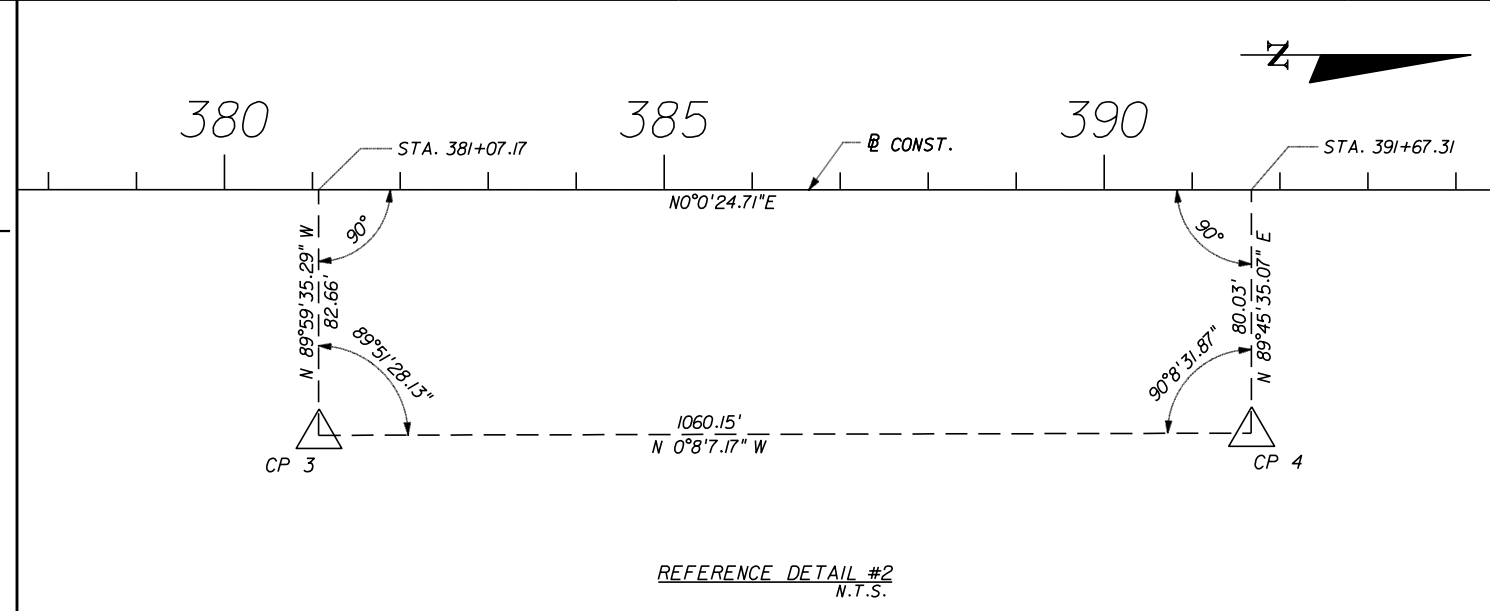
66th AVENUE HORIZONTAL & VERTICAL CONTROL PLAN

SHEET NO. 25

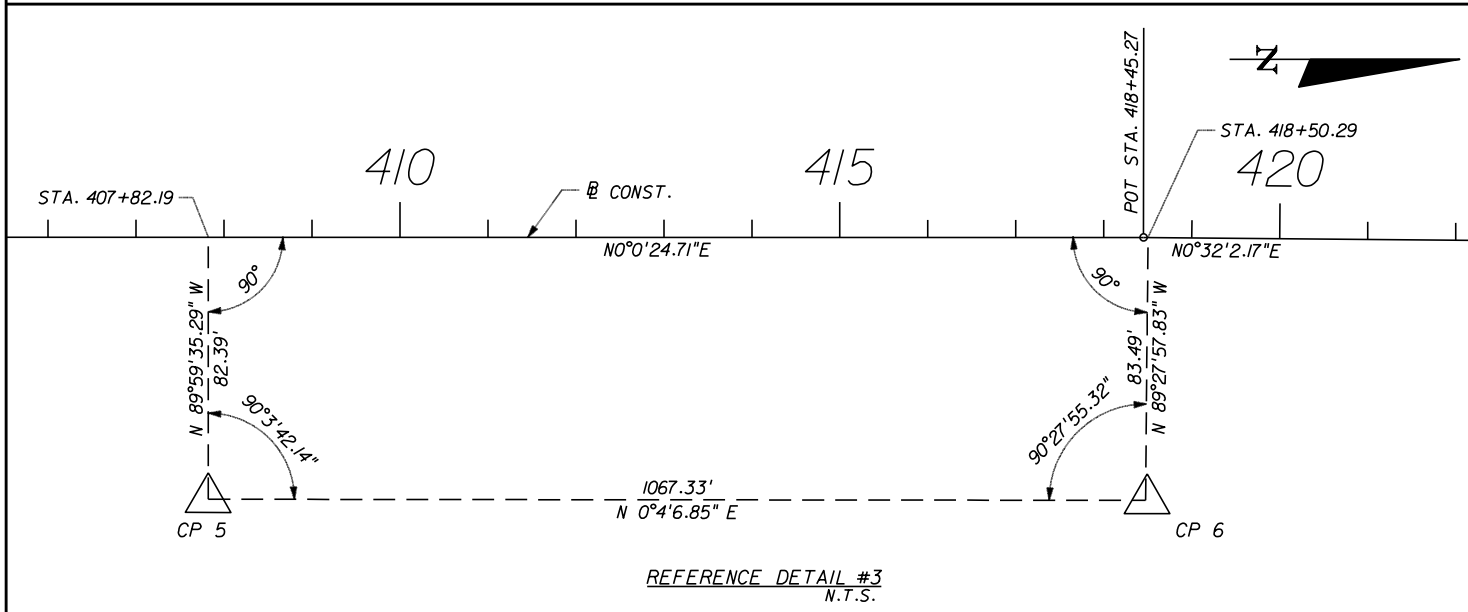
1505 I.R.CO. Proj. No. THE OFFICIAL RECORD OF THIS SHEET IS THE ELECTRONIC FILE DIGITALLY SIGNED AND SEALED UNDER RULE 61G15-23.004, F.A.C.



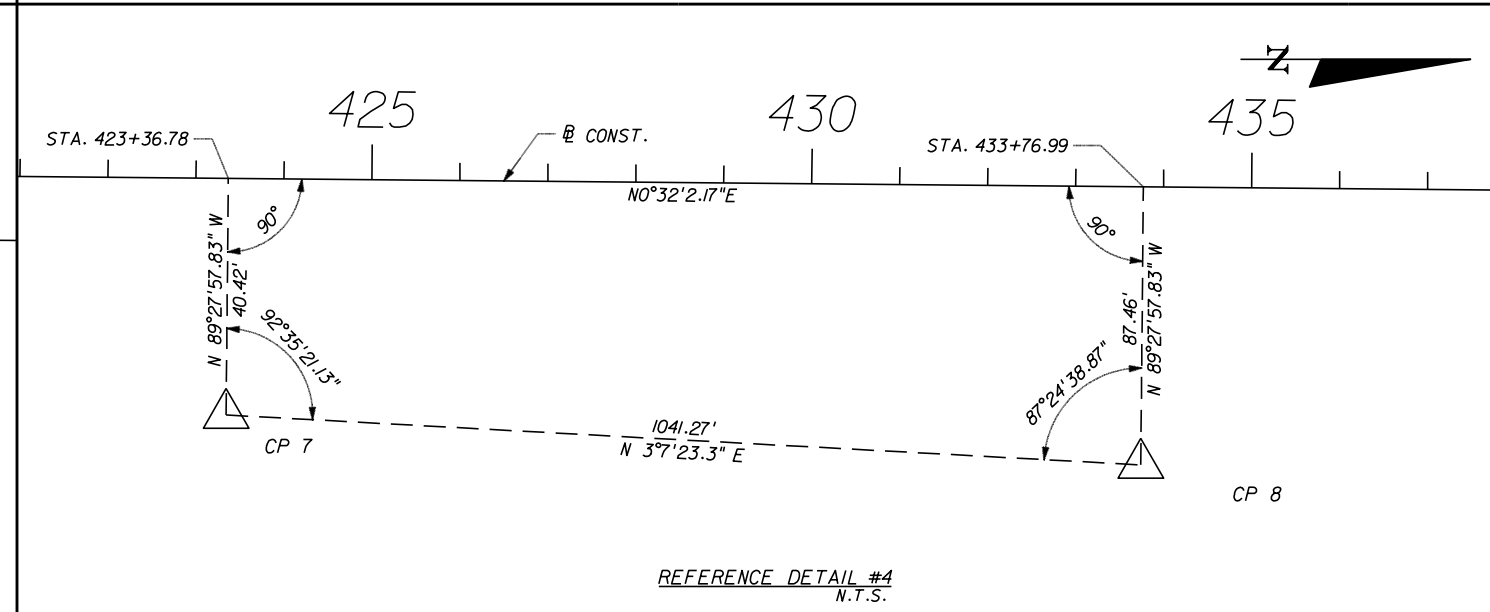
REFERENCE DETAIL #1
N.T.S.



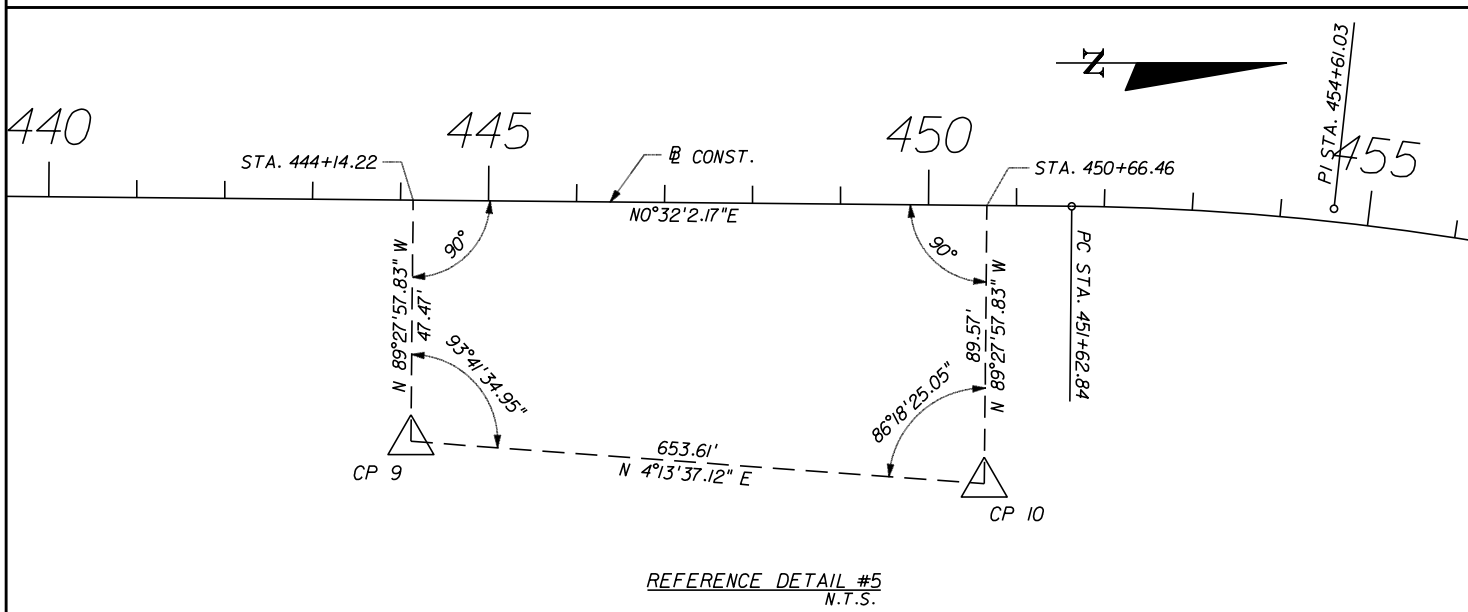
REFERENCE DETAIL #2
N.T.S.



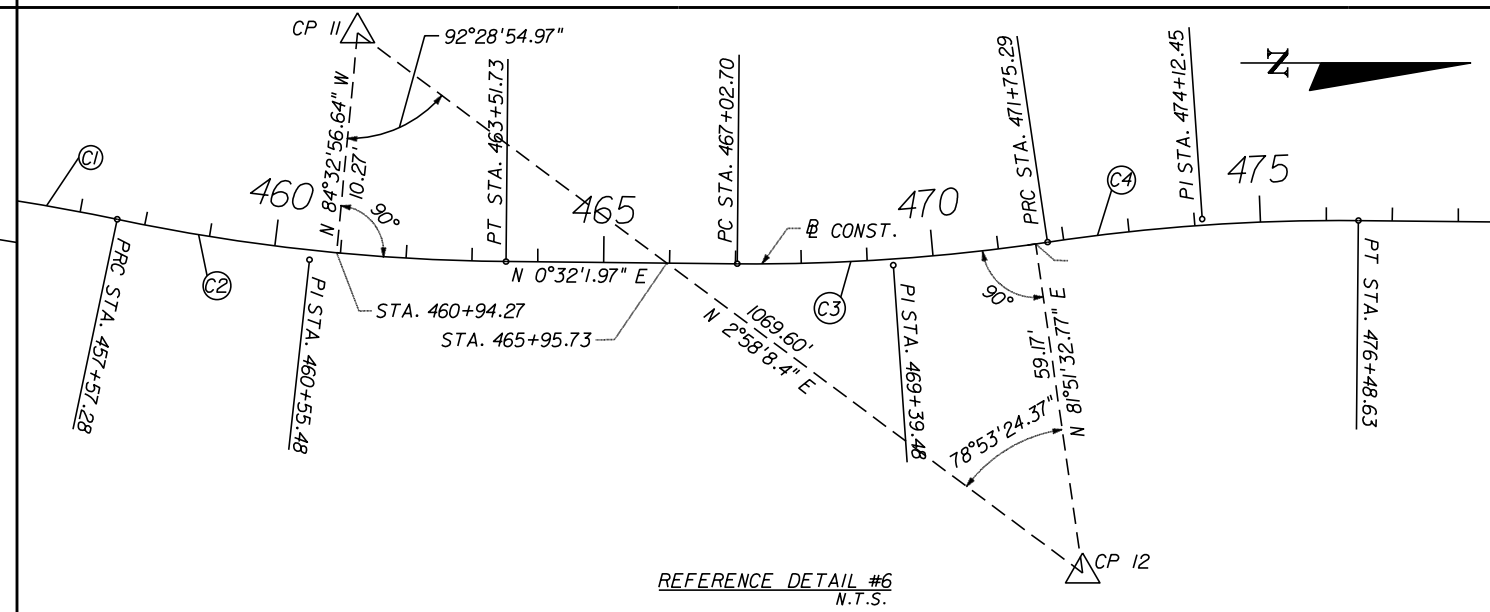
REFERENCE DETAIL #3
N.T.S.



REFERENCE DETAIL #4
N.T.S.



REFERENCE DETAIL #5
N.T.S.



REFERENCE DETAIL #6
N.T.S.

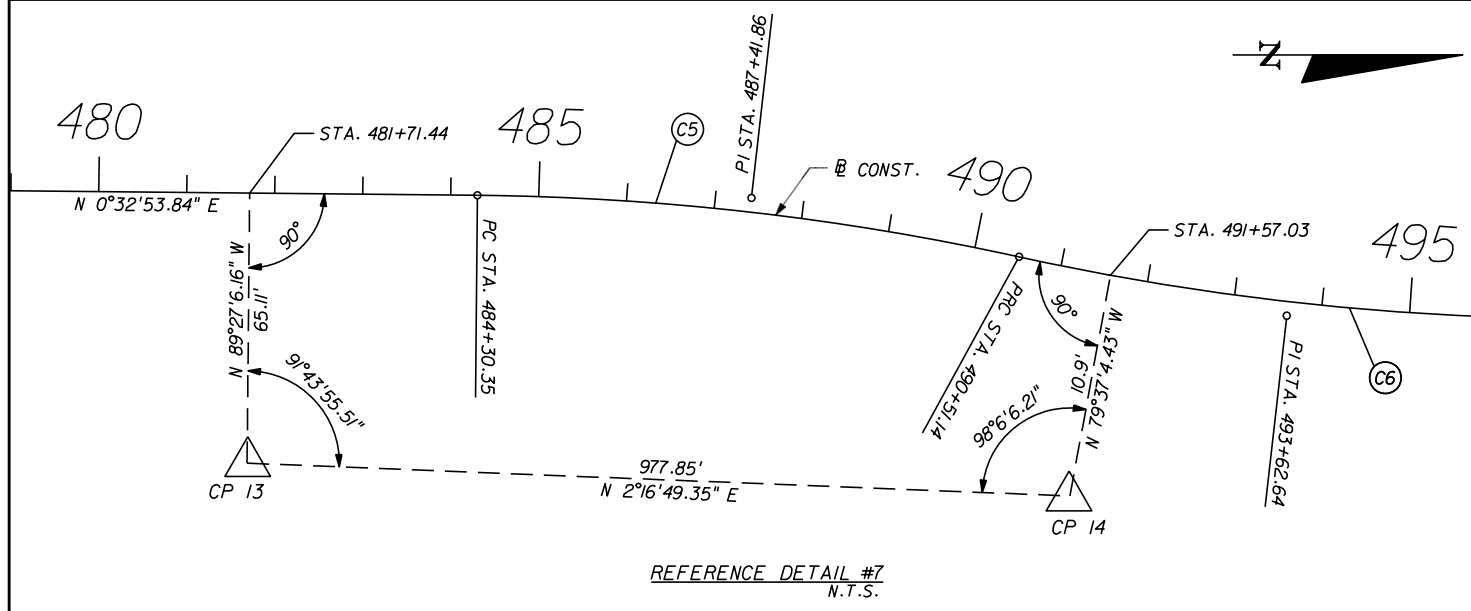
REVISIONS			
DESCRIPTION	DATE	BY	DESCRIPTION

Kimley»Horn
BRIAN A. GOOD, P.E.
 P.E. LICENSE NUMBER 56939
 445 24th STREET, SUITE 200
 VERO BEACH, FL 32960
 (772) 794-4100
 CERTIFICATE OF AUTHORIZATION# 00000696

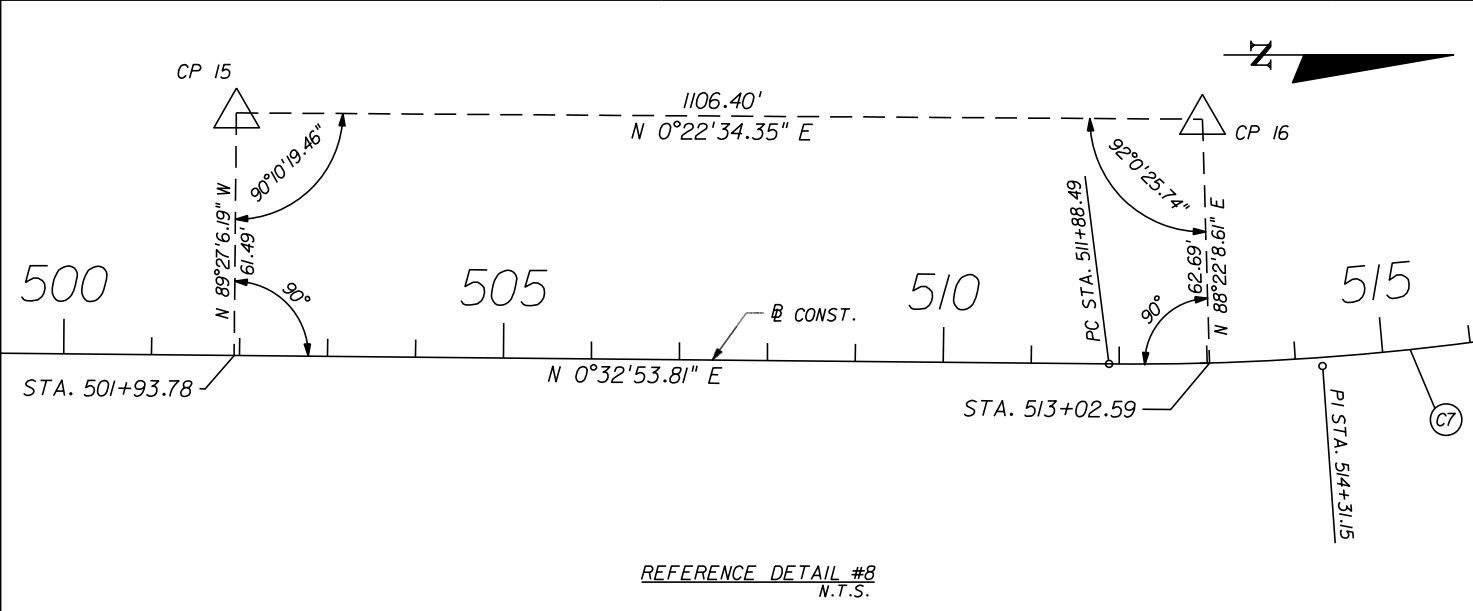
**INDIAN RIVER COUNTY
 BOARD OF COUNTY COMMISSIONERS**
**66th AVENUE ROADWAY WIDENING -
 PHASE IB 49th STREET TO 69th STREET**

**66th AVENUE
 HORIZONTAL & VERTICAL
 CONTROL PLAN**

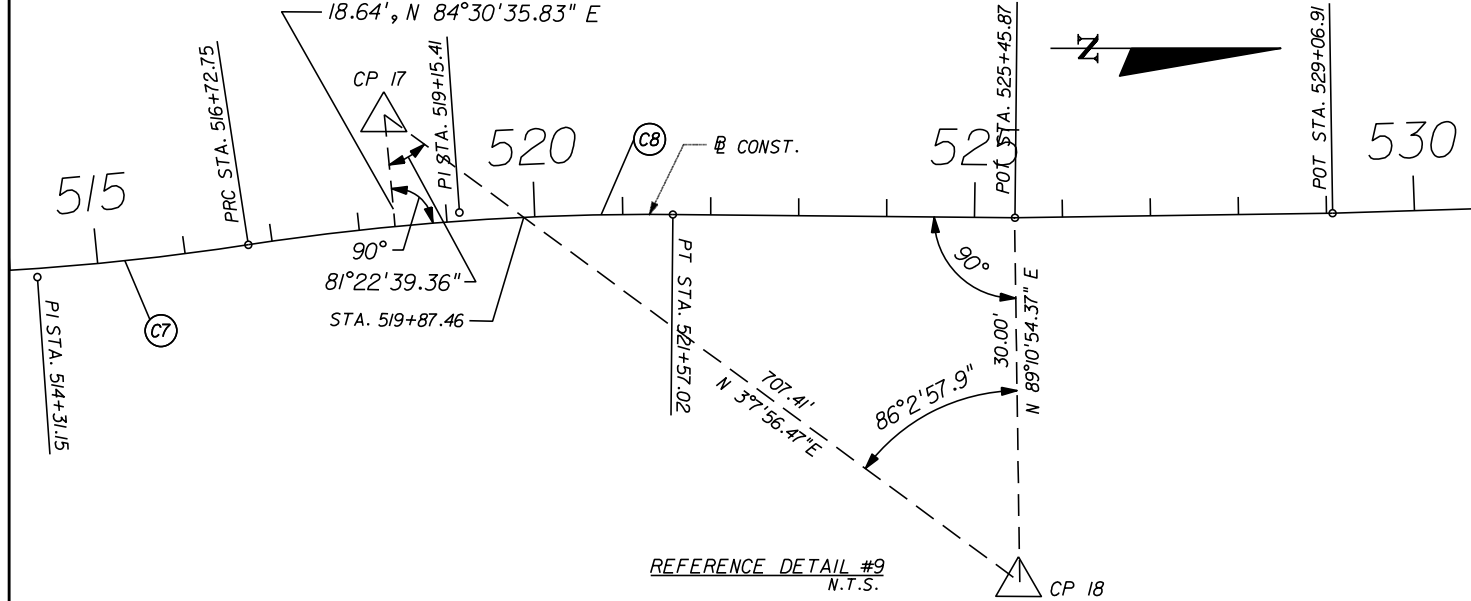
SHEET NO.
26



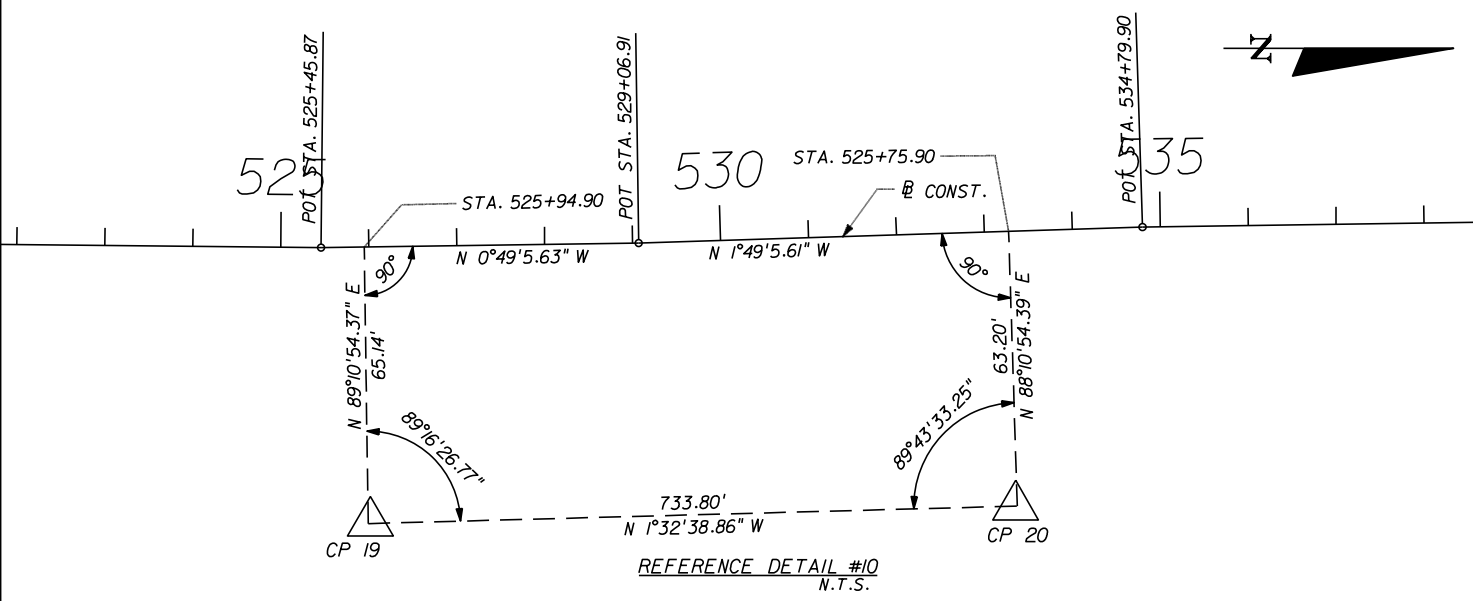
REFERENCE DETAIL #7
N.T.S.



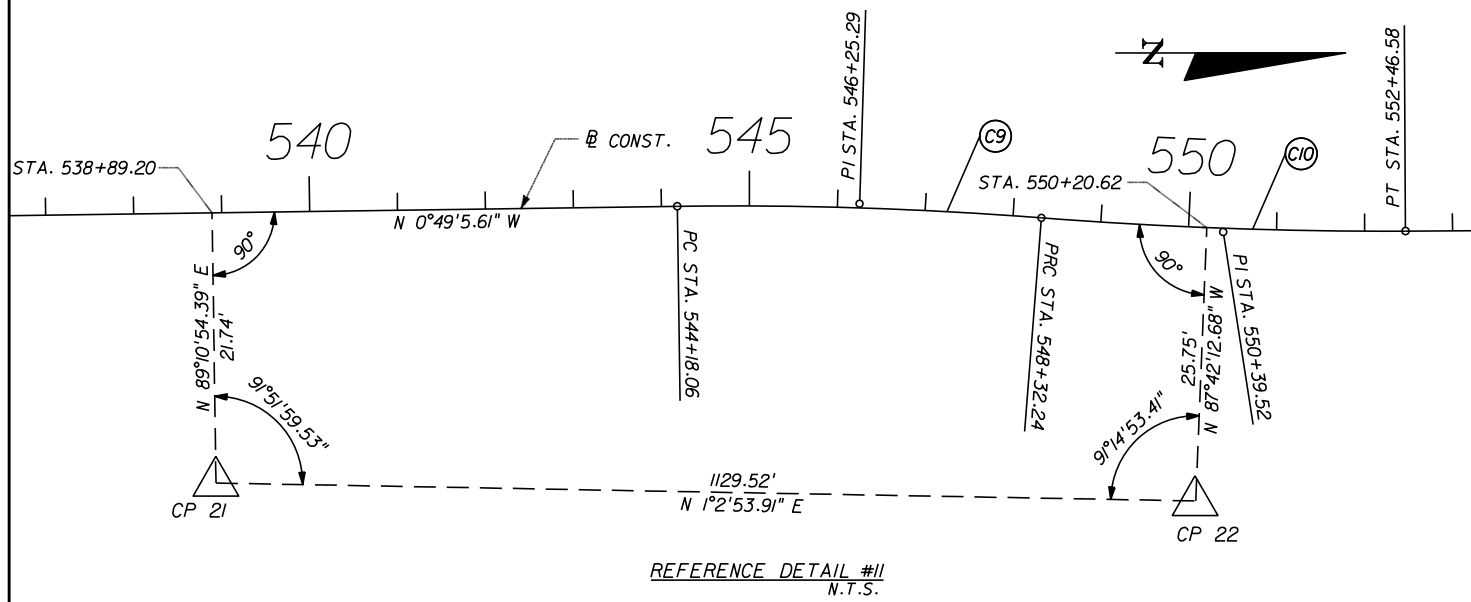
REFERENCE DETAIL #8
N.T.S.



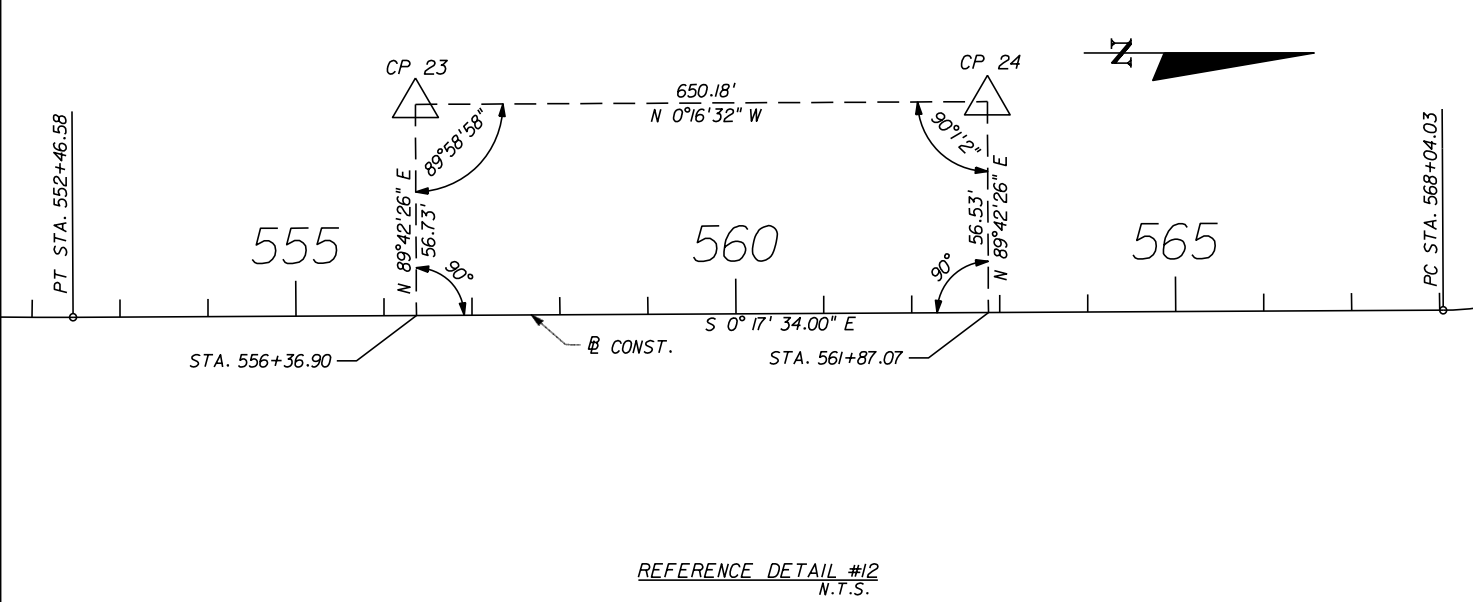
REFERENCE DETAIL #9
N.T.S.



REFERENCE DETAIL #10
N.T.S.



REFERENCE DETAIL #11
N.T.S.



REFERENCE DETAIL #12
N.T.S.

REVISIONS				
NO.	DESCRIPTION	DATE	BY	DESCRIPTION

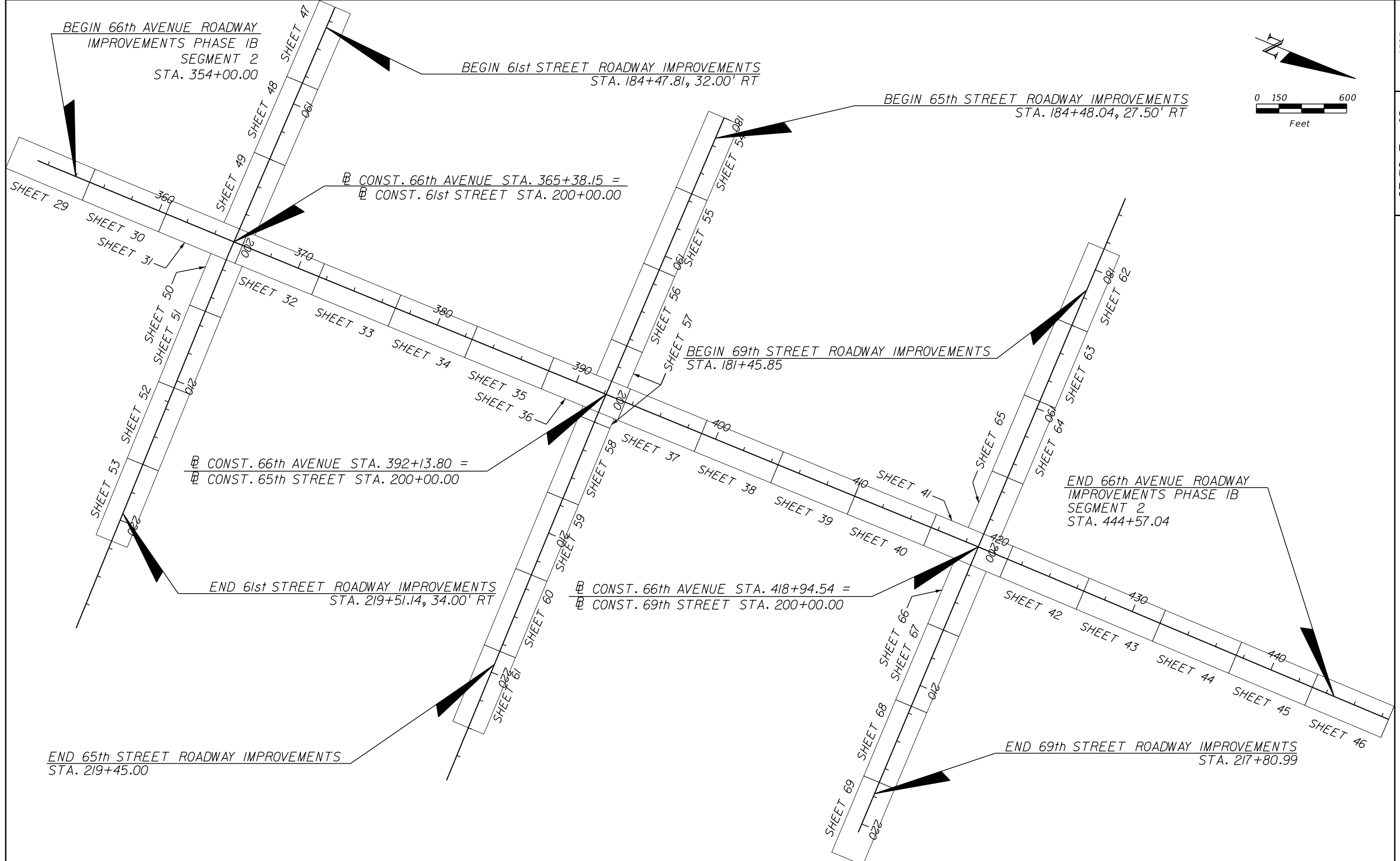
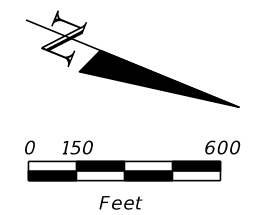
Kimley»Horn
 BRIAN A. GOOD, P.E.
 P.E. LICENSE NUMBER 56939
 445 24th STREET, SUITE 200
 VERO BEACH, FL 32960
 (772) 794-4100
 CERTIFICATE OF AUTHORIZATION# 00000696

**INDIAN RIVER COUNTY
 BOARD OF COUNTY COMMISSIONERS**
 66th AVENUE ROADWAY WIDENING -
 PHASE IB 49th STREET TO 69th STREET

**66th AVENUE
 HORIZONTAL & VERTICAL
 CONTROL PLAN**

SHEET NO.
27

THE OFFICIAL RECORD OF THIS SHEET IS THE ELECTRONIC FILE DIGITALLY SIGNED AND SEALED UNDER RULE 61G15-23.004, F.A.C. I.R.C.O. Proj. No. 1505



$\text{CONST. 66th AVENUE STA. 365+38.15} =$
 $\text{CONST. 61st STREET STA. 200+00.00}$

$\text{CONST. 66th AVENUE STA. 392+13.80} =$
 $\text{CONST. 65th STREET STA. 200+00.00}$

$\text{CONST. 66th AVENUE STA. 418+94.54} =$
 $\text{CONST. 69th STREET STA. 200+00.00}$

REVISIONS				
NO.	DESCRIPTION	DATE	BY	DESCRIPTION

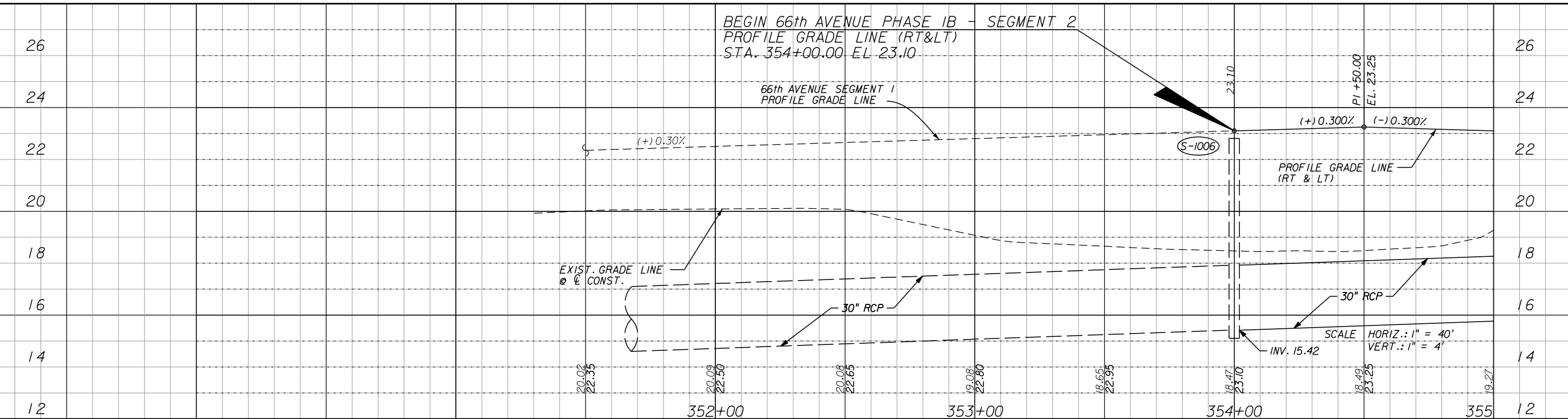
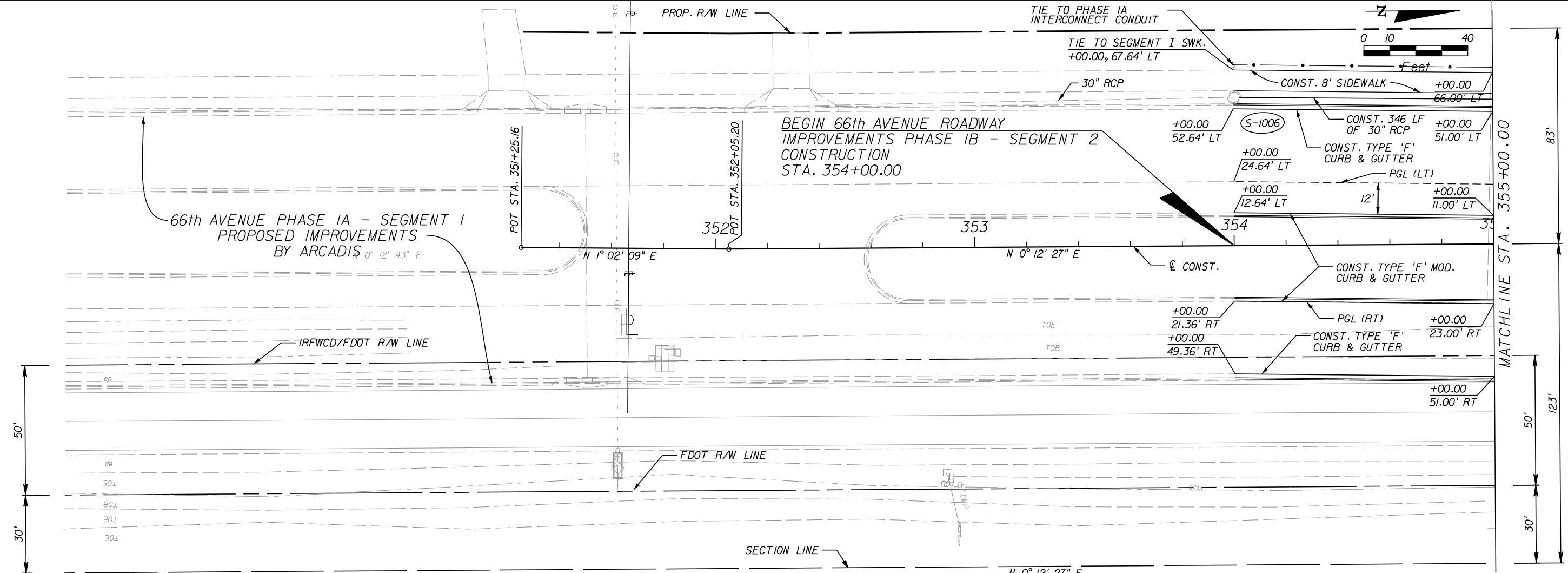
Kimley»Horn
BRIAN A. GOOD, P.E.
 P.E. LICENSE NUMBER 56939
 445 24th STREET, SUITE 200
 VERO BEACH, FL 32960
 (772) 794-4100
 CERTIFICATE OF AUTHORIZATION# 00000696

**INDIAN RIVER COUNTY
 BOARD OF COUNTY COMMISSIONERS**
**66th AVENUE ROADWAY WIDENING -
 PHASE 1B 49th STREET TO 69th STREET**

PROJECT LAYOUT

SHEET NO.
28

1505
I.R.CO. Proj. No.
THE OFFICIAL RECORD OF THIS SHEET IS THE ELECTRONIC FILE DIGITALLY SIGNED AND SEALED UNDER RULE 61G15-23.004, F.A.C.



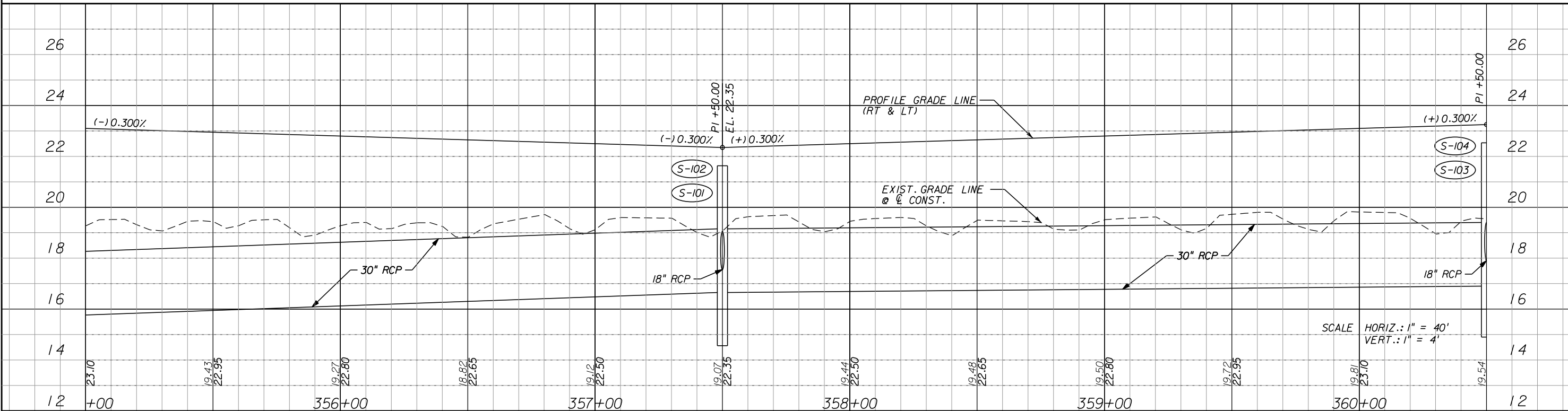
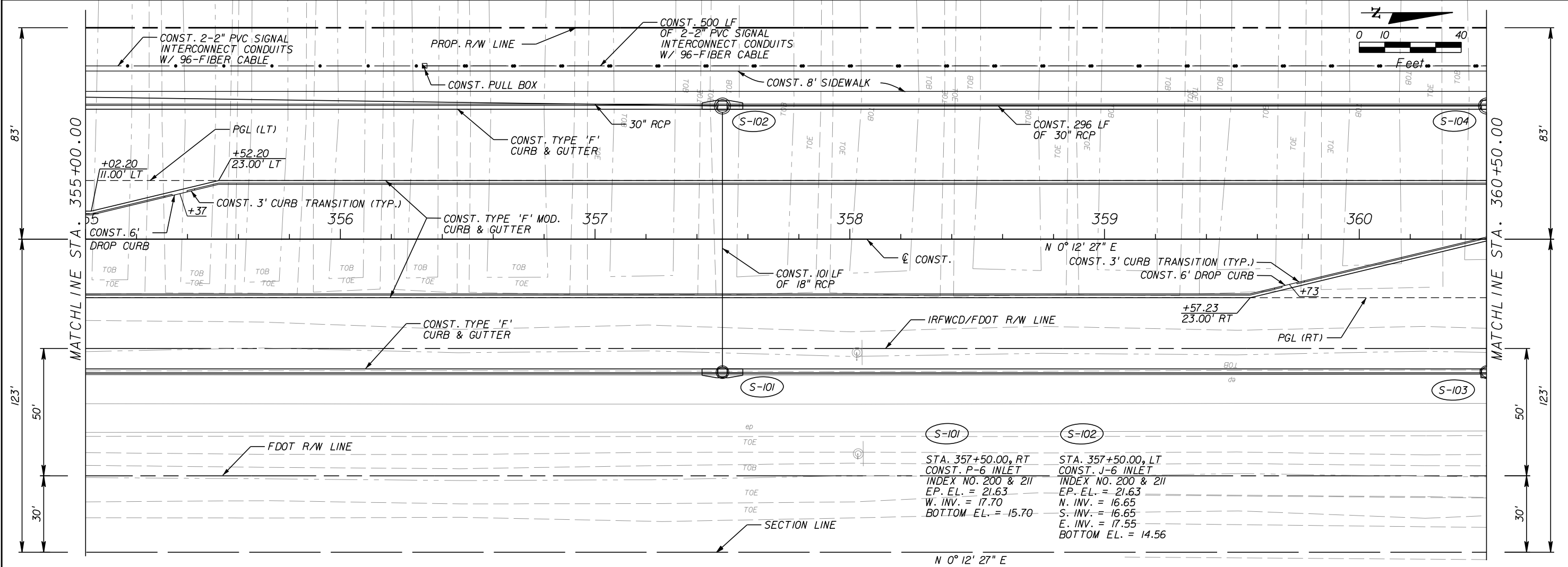
REVISIONS			
DESCRIPTION	DATE	BY	DESCRIPTION

Kimley»Horn
 BRIAN A. GOOD, P.E.
 P.E. LICENSE NUMBER 56939
 445 24th STREET, SUITE 200
 VERO BEACH, FL 32960
 (772) 794-4100
 CERTIFICATE OF AUTHORIZATION# 00000696

**INDIAN RIVER COUNTY
 BOARD OF COUNTY COMMISSIONERS**
**66th AVENUE ROADWAY WIDENING -
 PHASE IB 49th STREET TO 69th STREET**

**66th AVENUE
 PLAN & PROFILE**

SHEET NO. 29



REVISIONS			
DESCRIPTION	DATE	BY	DESCRIPTION

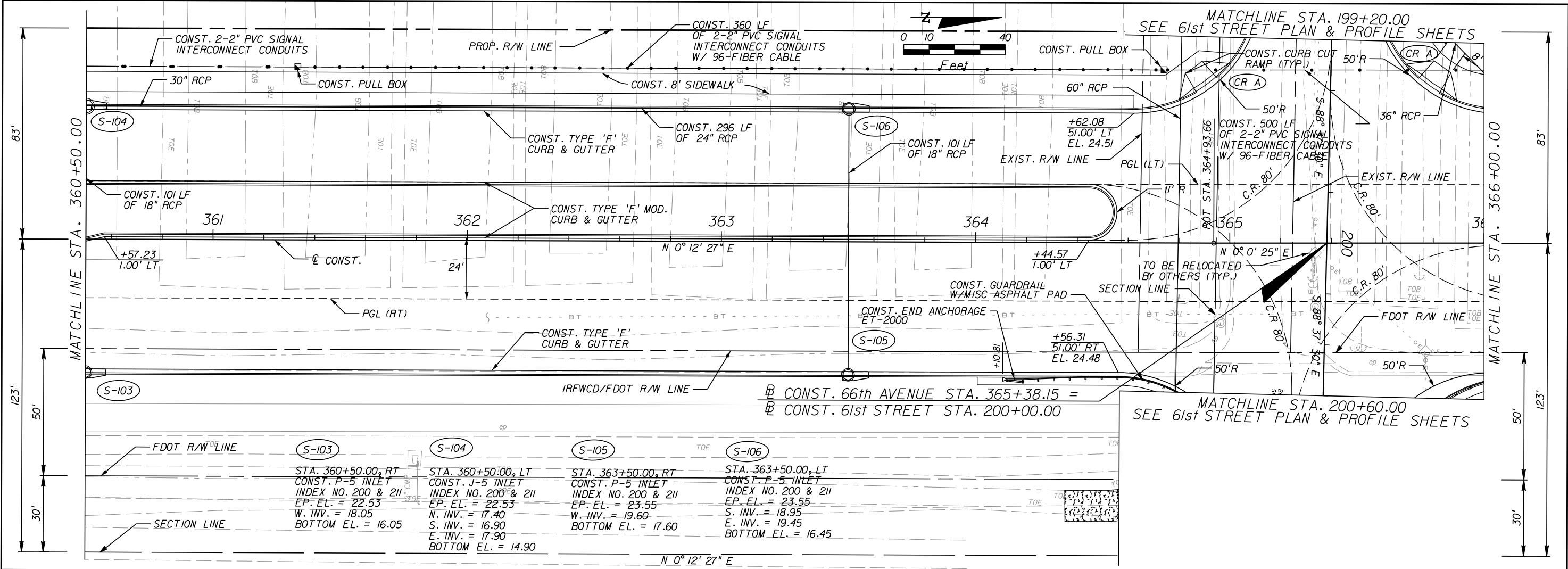
Kimley»Horn
 BRIAN A. GOOD, P.E.
 P.E. LICENSE NUMBER 56939
 445 24th STREET, SUITE 200
 VERO BEACH, FL 32960
 (772) 794-4100
 CERTIFICATE OF AUTHORIZATION# 00000696

**INDIAN RIVER COUNTY
 BOARD OF COUNTY COMMISSIONERS**
**66th AVENUE ROADWAY WIDENING -
 PHASE IB 49th STREET TO 69th STREET**

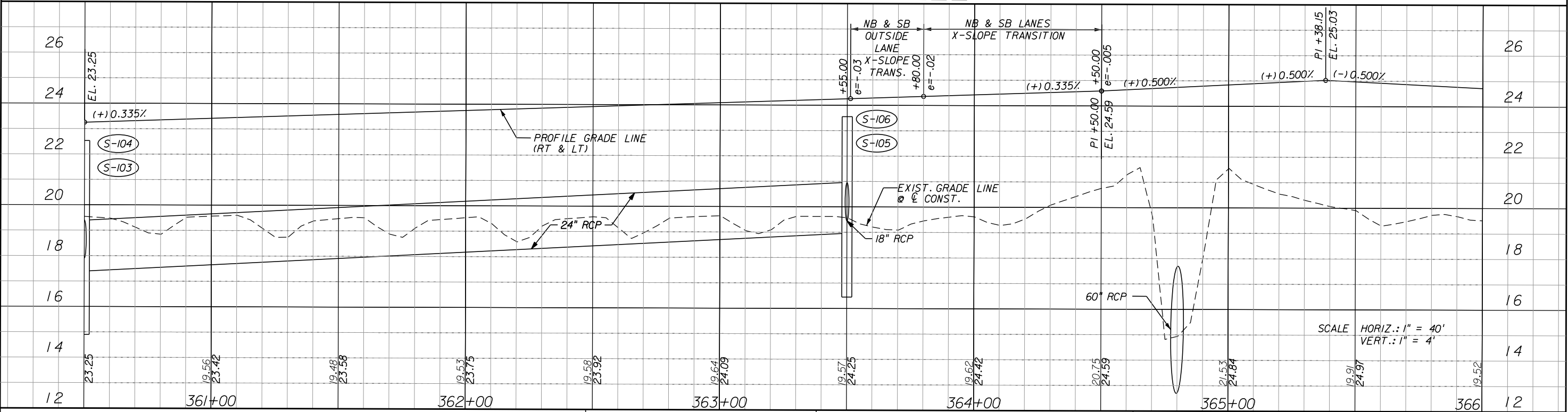
**66th AVENUE
 PLAN & PROFILE**

SHEET NO.
 30

THE OFFICIAL RECORD OF THIS SHEET IS THE ELECTRONIC FILE DIGITALLY SIGNED AND SEALED UNDER RULE 61G15-23.004, F.A.C. I.R.C.O. Proj. No. 1505



Station	Location	Index No.	EP. EL.	W. INV.	N. INV.	S. INV.	E. INV.	Bottom EL.
360+50.00	RT	200 & 211	22.53	18.05	17.40	16.90	17.90	16.05
360+50.00	LT	200 & 211	22.53	18.05	17.40	16.90	17.90	14.90
363+50.00	RT	200 & 211	23.55	19.60	19.45	19.45	16.45	17.60
363+50.00	LT	200 & 211	23.55	19.60	19.45	19.45	16.45	17.60



REVISIONS			
DESCRIPTION	DATE	BY	DESCRIPTION

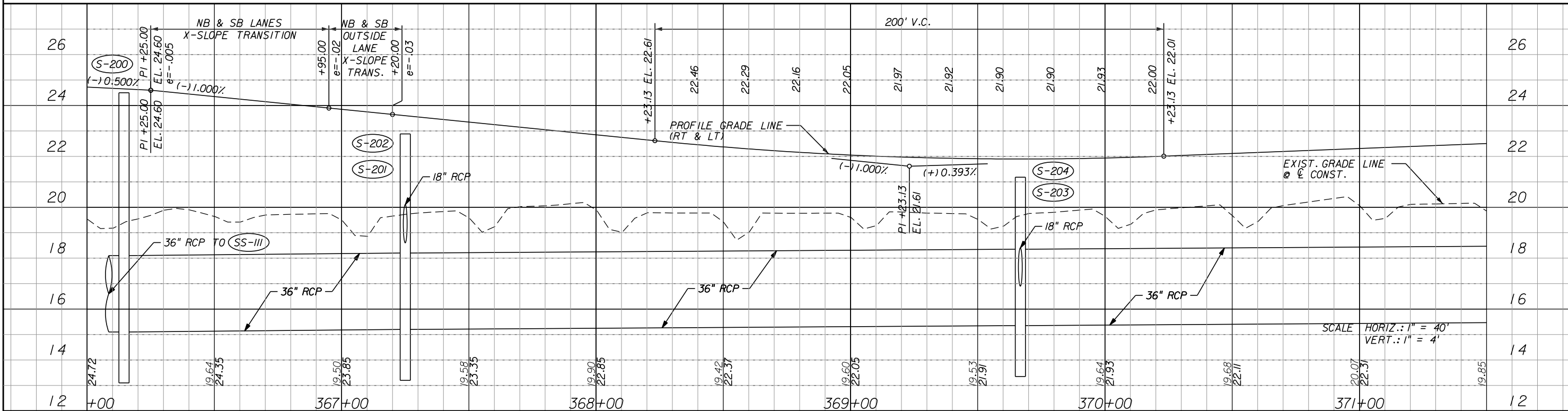
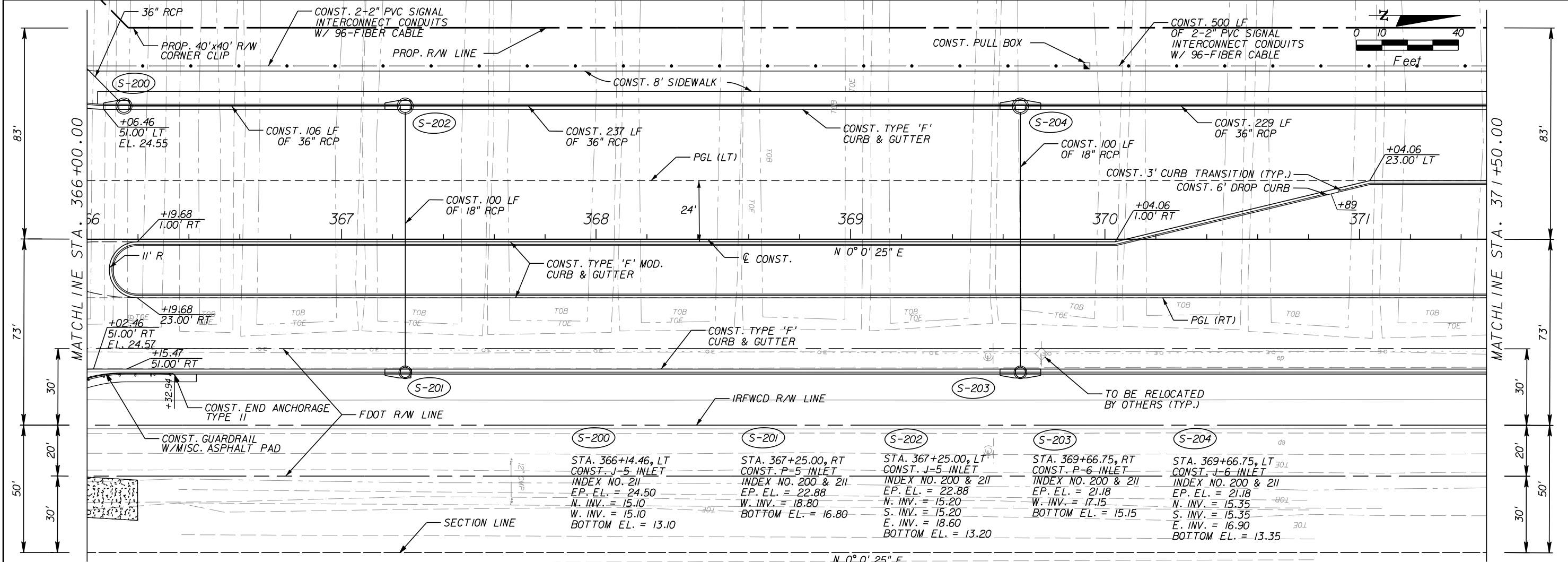
Kimley»Horn
 BRIAN A. GOOD, P.E.
 P.E. LICENSE NUMBER 56939
 445 24th STREET, SUITE 200
 VERO BEACH, FL 32960
 (772) 794-4100
 CERTIFICATE OF AUTHORIZATION# 00000696

**INDIAN RIVER COUNTY
 BOARD OF COUNTY COMMISSIONERS**
**66th AVENUE ROADWAY WIDENING -
 PHASE IB 49th STREET TO 69th STREET**

**66th AVENUE
 PLAN & PROFILE**

SHEET NO. 31

THE OFFICIAL RECORD OF THIS SHEET IS THE ELECTRONIC FILE DIGITALLY SIGNED AND SEALED UNDER RULE 61G15-23.004, F.A.C. I.R.CO. Proj. No. 1505



REVISIONS			
DESCRIPTION	DATE	BY	DESCRIPTION

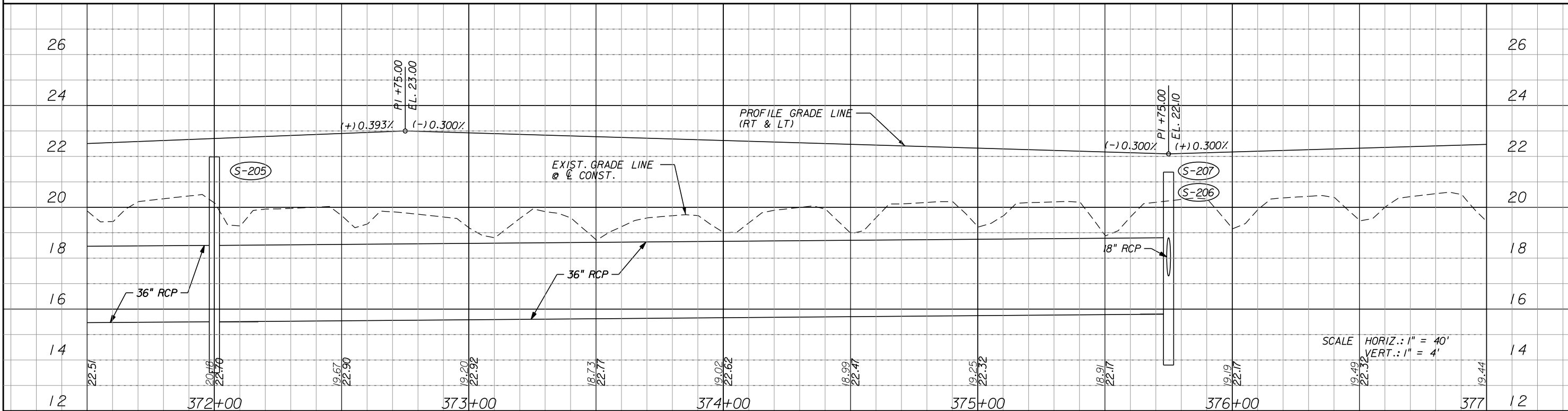
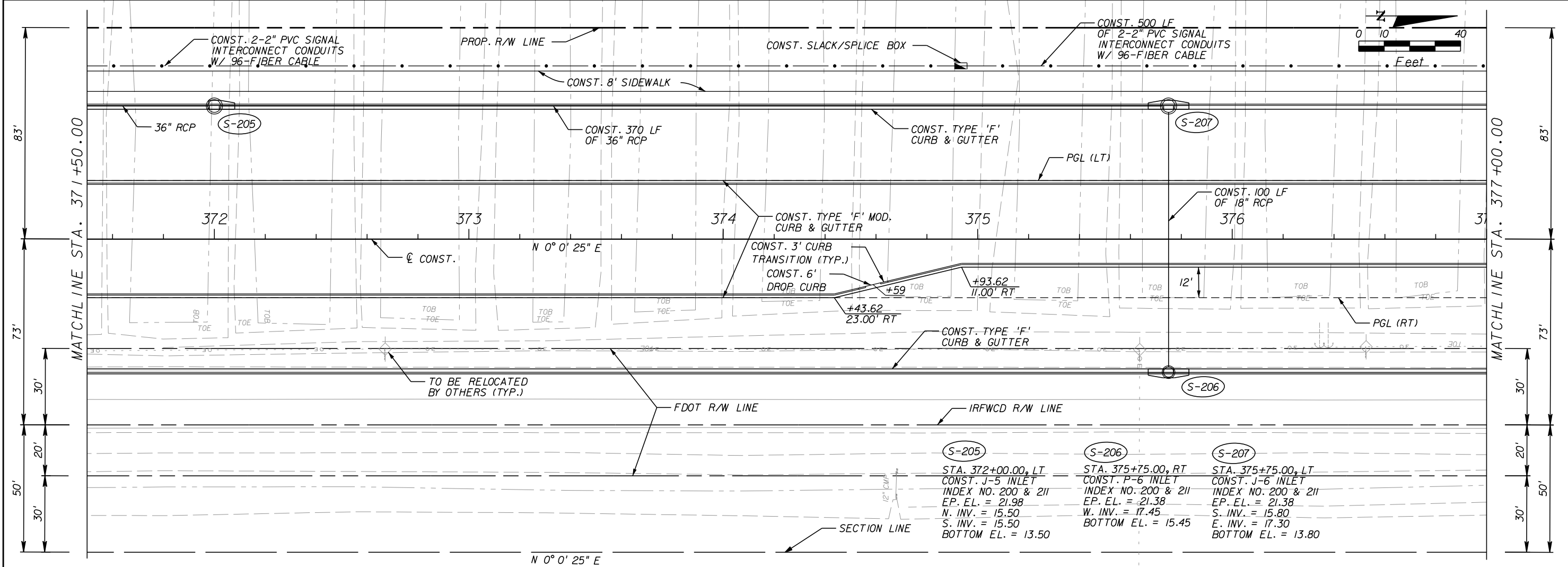
Kimley»Horn
 BRIAN A. GOOD, P.E.
 P.E. LICENSE NUMBER 56939
 445 24th STREET, SUITE 200
 VERO BEACH, FL 32960
 (772) 794-4100
 CERTIFICATE OF AUTHORIZATION# 00000696

INDIAN RIVER COUNTY BOARD OF COUNTY COMMISSIONERS
66th AVENUE ROADWAY WIDENING - PHASE IB 49th STREET TO 69th STREET

66th AVENUE PLAN & PROFILE

SHEET NO. 32

THE OFFICIAL RECORD OF THIS SHEET IS THE ELECTRONIC FILE DIGITALLY SIGNED AND SEALED UNDER RULE 61G15-23.004, F.A.C. I.R.C.O. Proj. No. 1505



REVISIONS			
DESCRIPTION	DATE	BY	DESCRIPTION

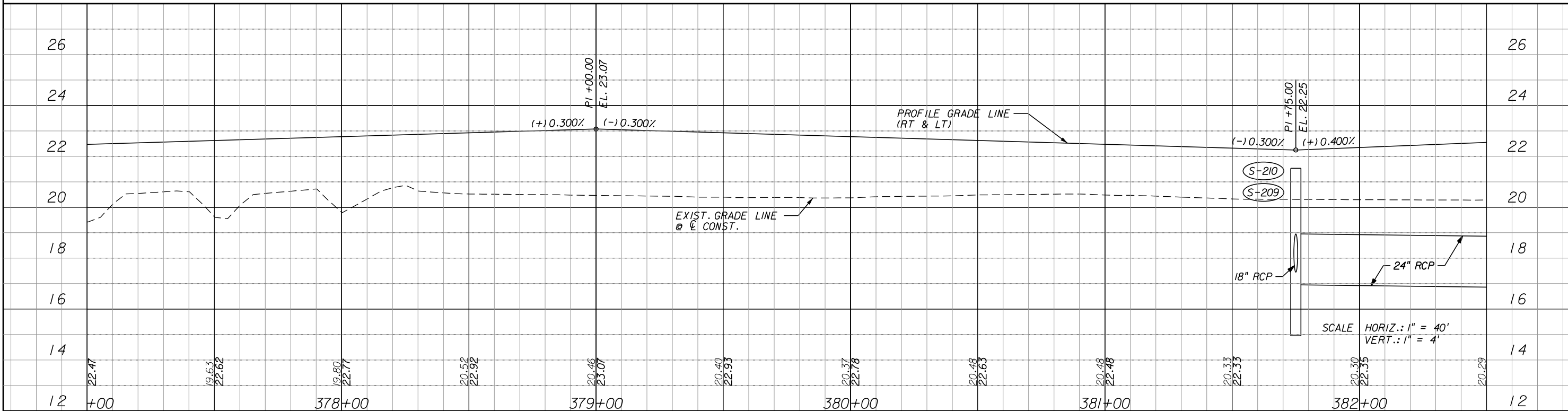
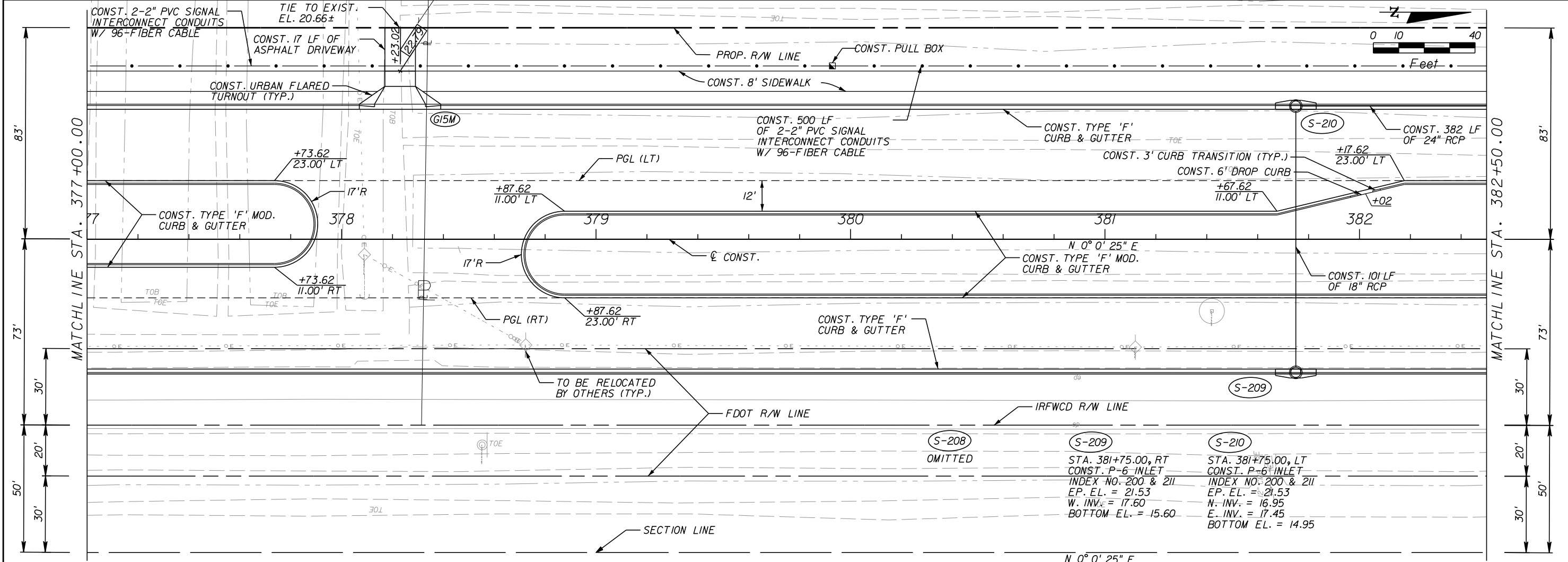
Kimley»Horn
 BRIAN A. GOOD, P.E.
 P.E. LICENSE NUMBER 56939
 445 24th STREET, SUITE 200
 VERO BEACH, FL 32960
 (772) 794-4100
 CERTIFICATE OF AUTHORIZATION# 00000696

**INDIAN RIVER COUNTY
 BOARD OF COUNTY COMMISSIONERS**
**66th AVENUE ROADWAY WIDENING -
 PHASE IB 49th STREET TO 69th STREET**

**66th AVENUE
 PLAN & PROFILE**

SHEET NO. 33

THE OFFICIAL RECORD OF THIS SHEET IS THE ELECTRONIC FILE DIGITALLY SIGNED AND SEALED UNDER RULE 61G15-23.004, F.A.C. I.R.C.O. Proj. No. 1505



REVISIONS			
NO.	DESCRIPTION	DATE	BY

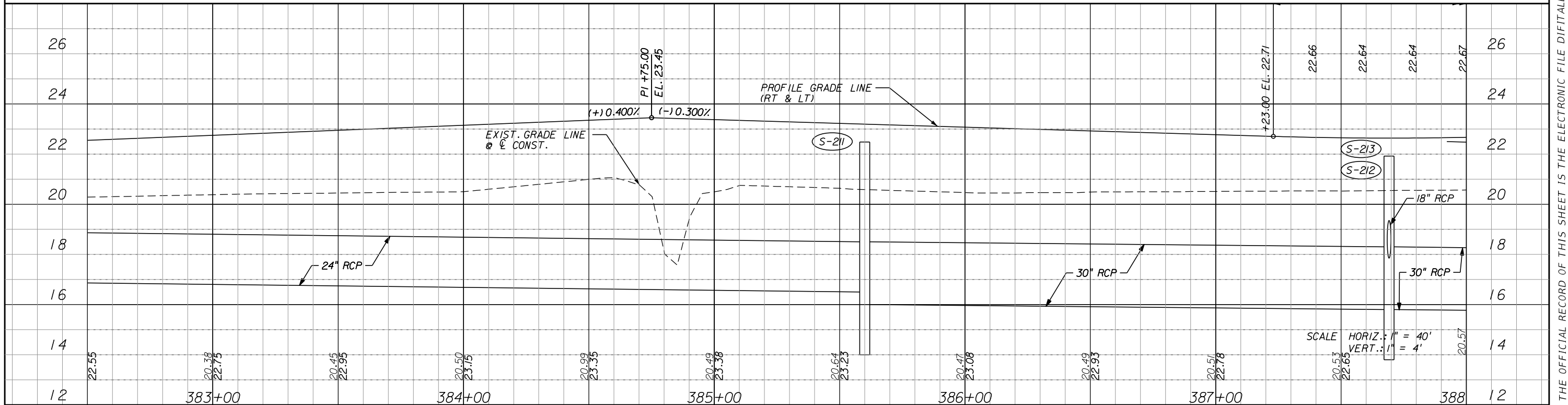
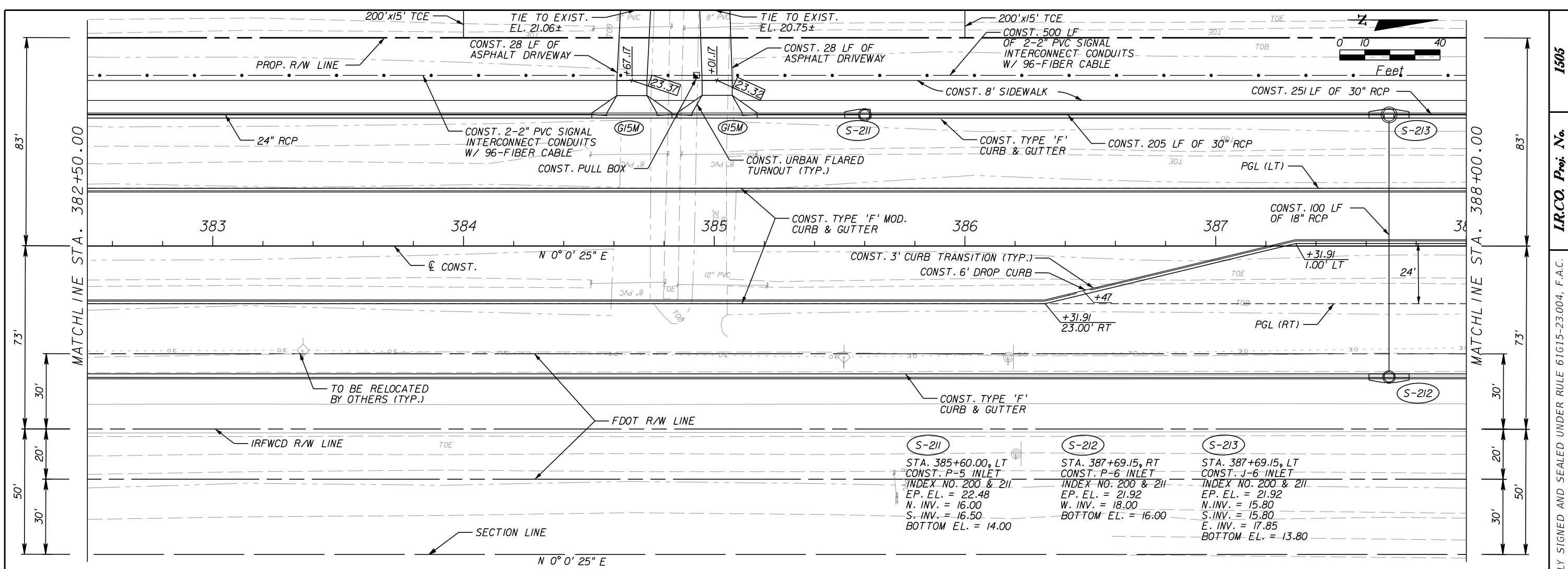
Kimley»Horn
 BRIAN A. GOOD, P.E.
 P.E. LICENSE NUMBER 56939
 445 24th STREET, SUITE 200
 VERO BEACH, FL 32960
 (772) 794-4100
 CERTIFICATE OF AUTHORIZATION# 00000696

**INDIAN RIVER COUNTY
 BOARD OF COUNTY COMMISSIONERS**
**66th AVENUE ROADWAY WIDENING -
 PHASE IB 49th STREET TO 69th STREET**

**66th AVENUE
 PLAN & PROFILE**

SHEET NO. 34

THE OFFICIAL RECORD OF THIS SHEET IS THE ELECTRONIC FILE DIGITALLY SIGNED AND SEALED UNDER RULE 61G15-23.004, F.A.C. I.R.C.O. Proj. No. 1505



REVISIONS			
DESCRIPTION	DATE	BY	DESCRIPTION

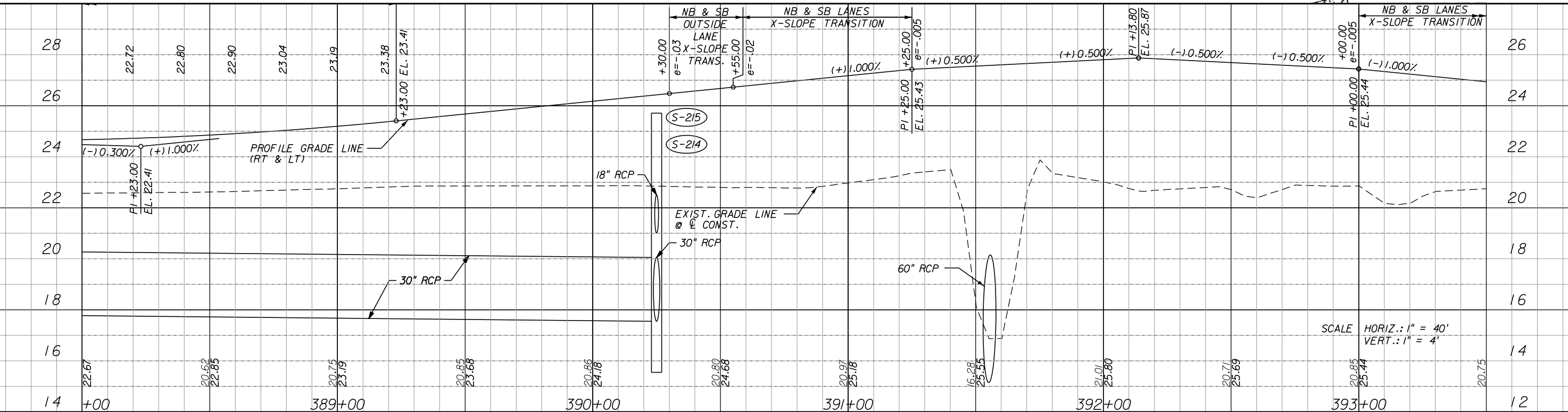
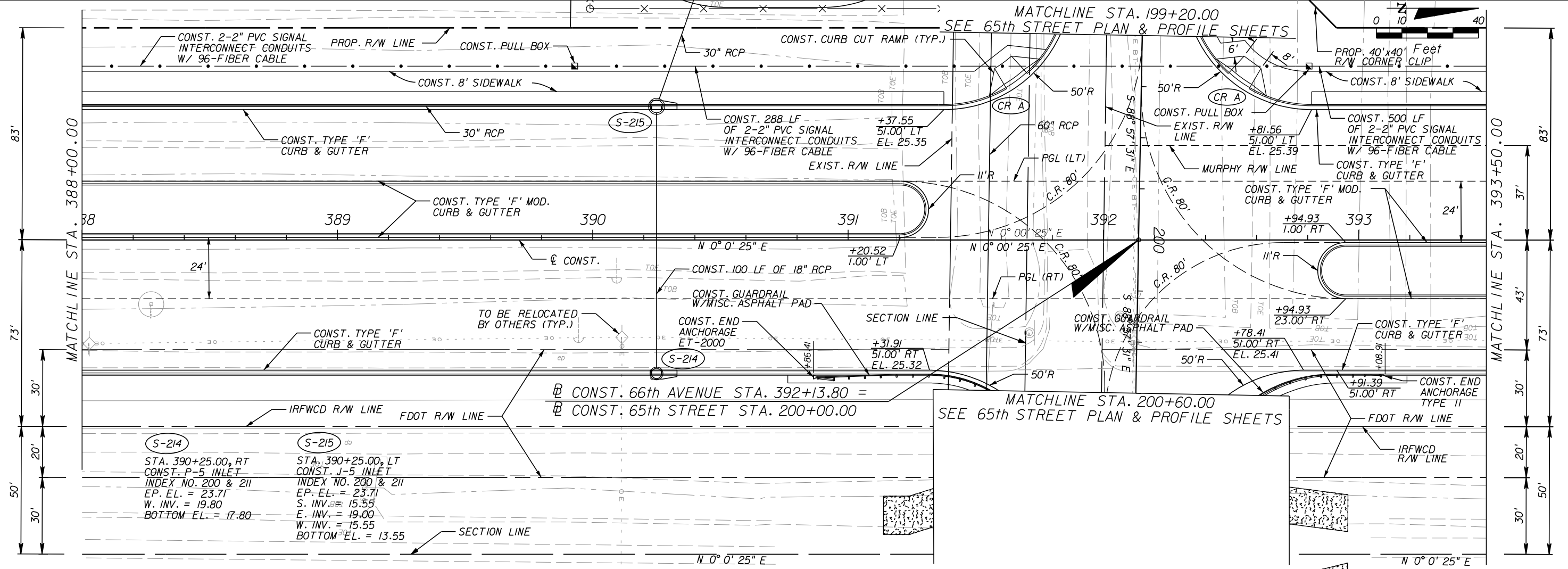
Kimley»Horn
 BRIAN A. GOOD, P.E.
 P.E. LICENSE NUMBER 56939
 445 24th STREET, SUITE 200
 VERO BEACH, FL 32960
 (772) 794-4100
 CERTIFICATE OF AUTHORIZATION# 00000696

INDIAN RIVER COUNTY BOARD OF COUNTY COMMISSIONERS
66th AVENUE ROADWAY WIDENING - PHASE IB 49th STREET TO 69th STREET

66th AVENUE PLAN & PROFILE

SHEET NO. 35

THE OFFICIAL RECORD OF THIS SHEET IS THE ELECTRONIC FILE DIGITALLY SIGNED AND SEALED UNDER RULE 61G15-23.004, F.A.C. I.R.C.O. Proj. No. 1505



REVISIONS			
DESCRIPTION	DATE	BY	DESCRIPTION

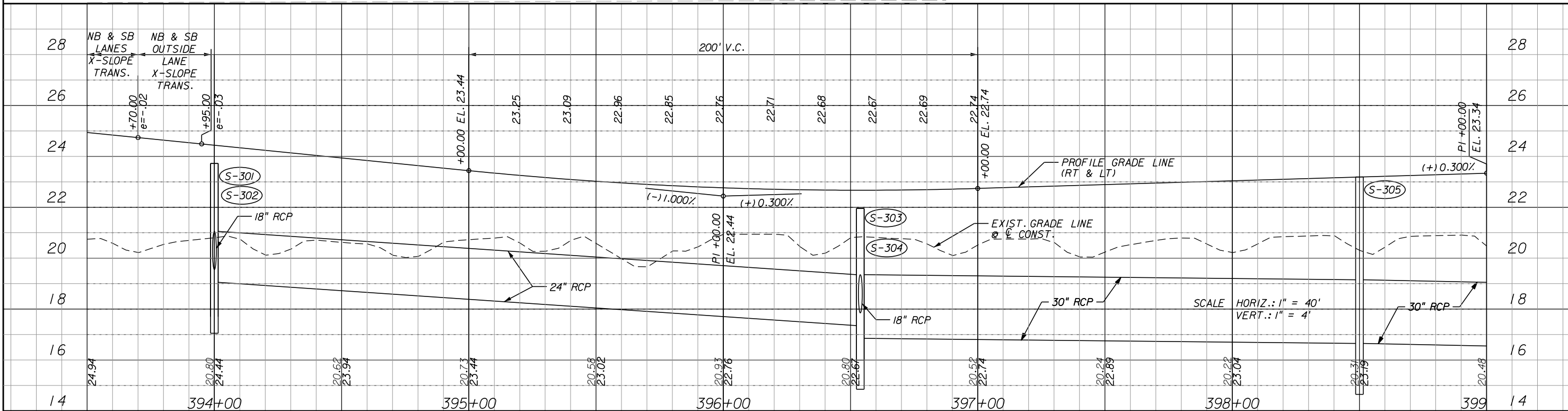
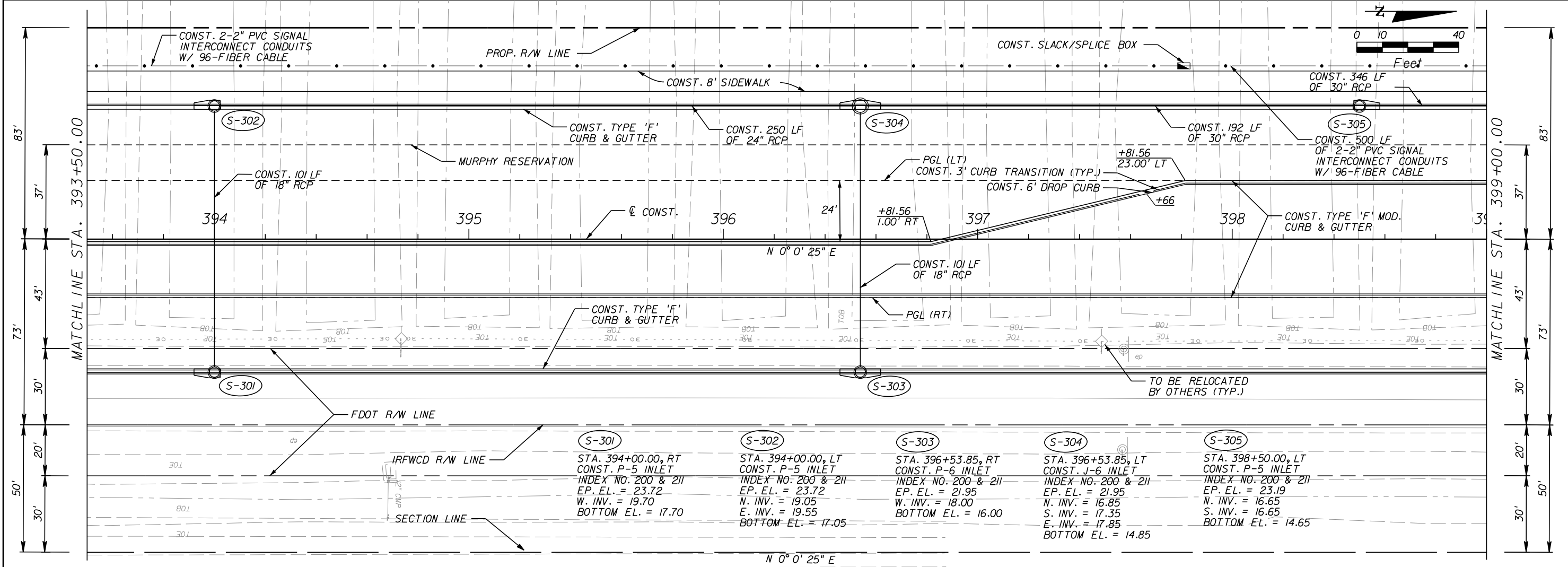
Kimley»Horn
 BRIAN A. GOOD, P.E.
 P.E. LICENSE NUMBER 56939
 445 24th STREET, SUITE 200
 VERO BEACH, FL 32960
 (772) 794-4100
 CERTIFICATE OF AUTHORIZATION# 00000696

**INDIAN RIVER COUNTY
 BOARD OF COUNTY COMMISSIONERS**
**66th AVENUE ROADWAY WIDENING -
 PHASE IB 49th STREET TO 69th STREET**

**66th AVENUE
 PLAN & PROFILE**

SHEET NO. 36

THE OFFICIAL RECORD OF THIS SHEET IS THE ELECTRONIC FILE DIGITALLY SIGNED AND SEALED UNDER RULE 61G15-23.004, F.A.C. I.R.C.O. Proj. No. 1505



REVISIONS			
DESCRIPTION	DATE	BY	DESCRIPTION

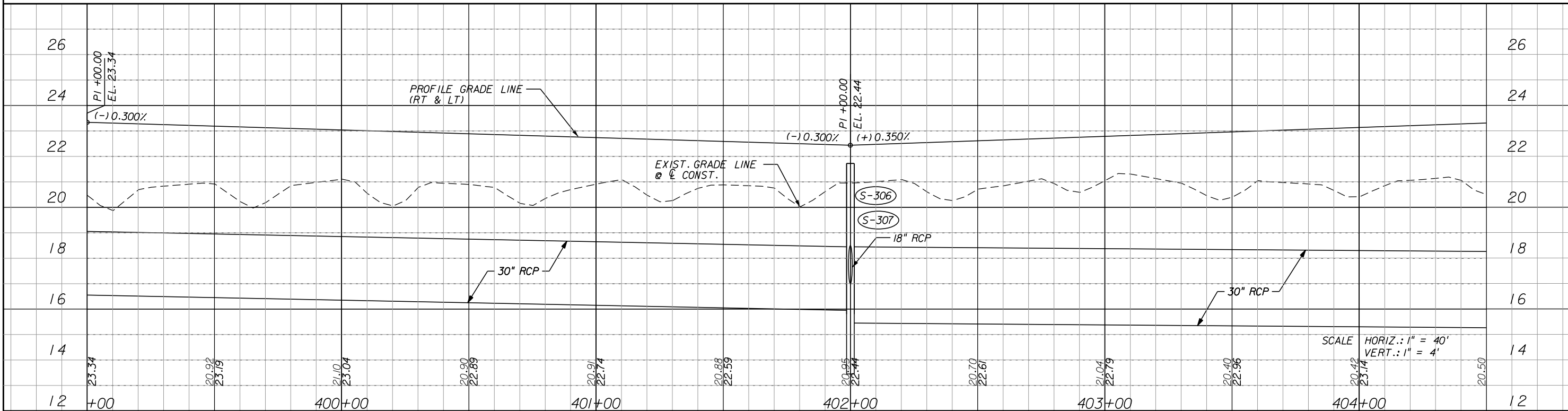
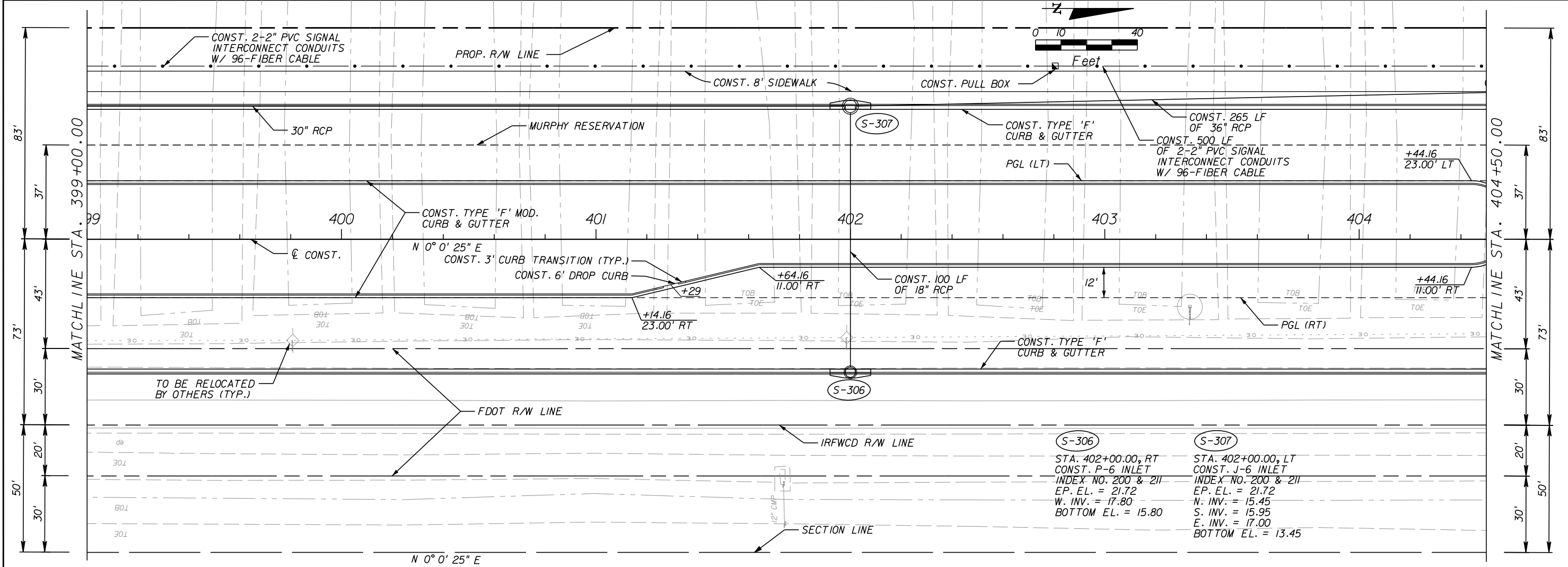
Kimley»Horn
 BRIAN A. GOOD, P.E.
 P.E. LICENSE NUMBER 56939
 445 24th STREET, SUITE 200
 VERO BEACH, FL 32960
 (772) 794-4100
 CERTIFICATE OF AUTHORIZATION# 00000696

**INDIAN RIVER COUNTY
 BOARD OF COUNTY COMMISSIONERS**
**66th AVENUE ROADWAY WIDENING -
 PHASE IB 49th STREET TO 69th STREET**

**66th AVENUE
 PLAN & PROFILE**

SHEET NO. 37

THE OFFICIAL RECORD OF THIS SHEET IS THE ELECTRONIC FILE DIGITALLY SIGNED AND SEALED UNDER RULE 61G15-23.004, F.A.C. I.R.C.O. Proj. No. 1505



REVISIONS			
DESCRIPTION	DATE	BY	DESCRIPTION

Kimley»Horn
 BRIAN A. GOOD, P.E.
 P.E. LICENSE NUMBER 56939
 445 24th STREET, SUITE 200
 VERO BEACH, FL 32960
 (772) 794-4100
 CERTIFICATE OF AUTHORIZATION# 00000696

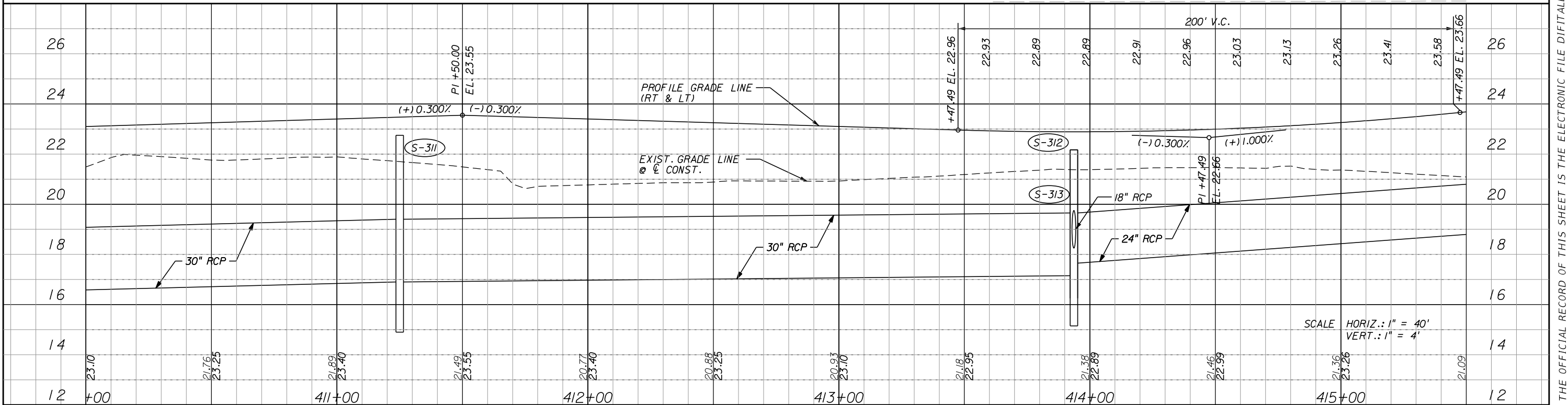
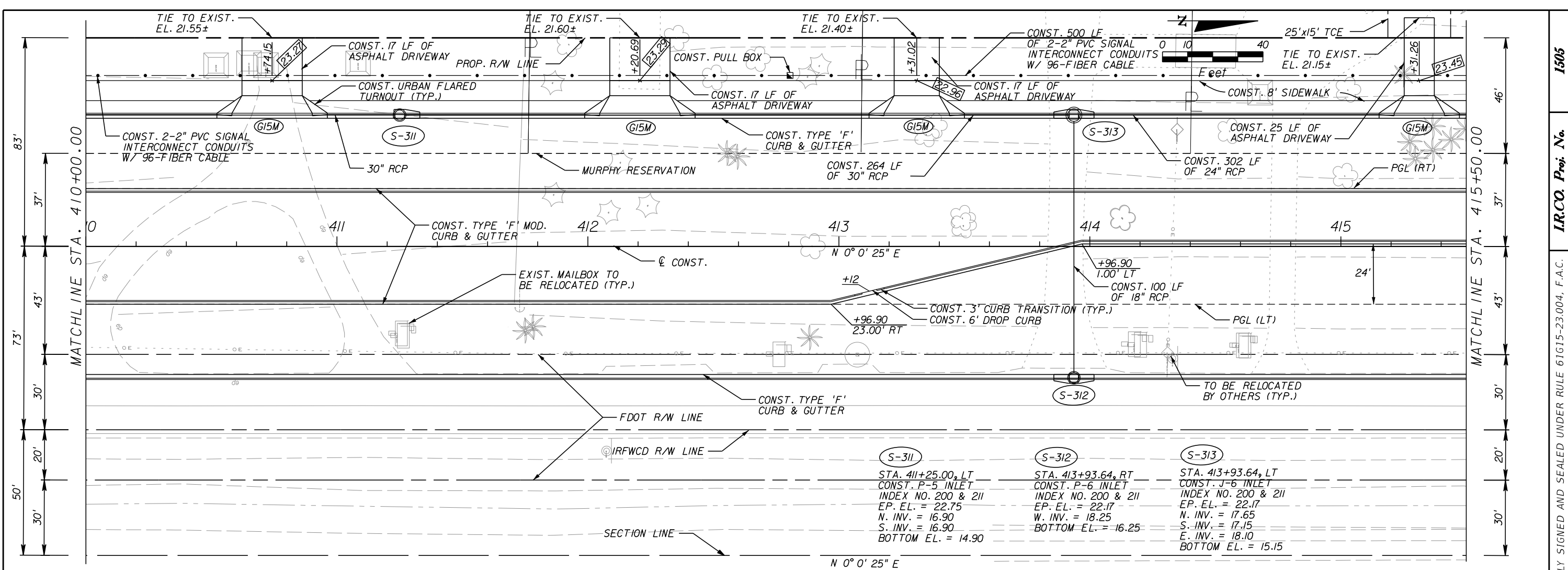
INDIAN RIVER COUNTY BOARD OF COUNTY COMMISSIONERS
66th AVENUE ROADWAY WIDENING - PHASE IB 49th STREET TO 69th STREET

66th AVENUE PLAN & PROFILE

SCALE: HORIZ.: 1" = 40'
 VERT.: 1" = 4'

SHEET NO. 38

THE OFFICIAL RECORD OF THIS SHEET IS THE ELECTRONIC FILE DIGITALLY SIGNED AND SEALED UNDER RULE 61G15-23.004, F.A.C. I.R.C.O. Proj. No. 1505



REVISIONS			
DESCRIPTION	DATE	BY	DESCRIPTION

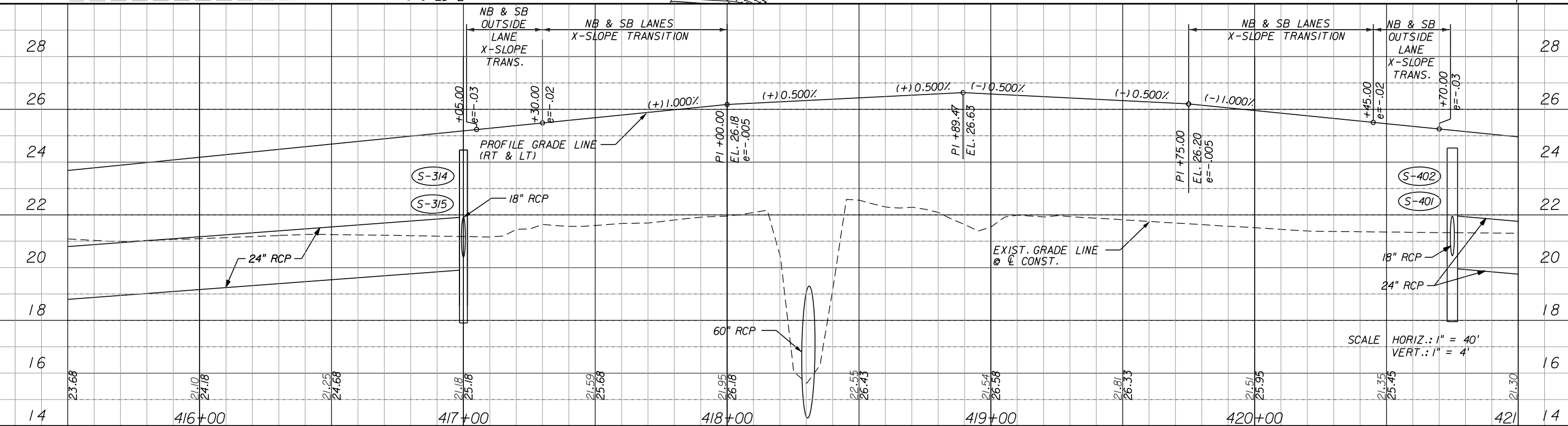
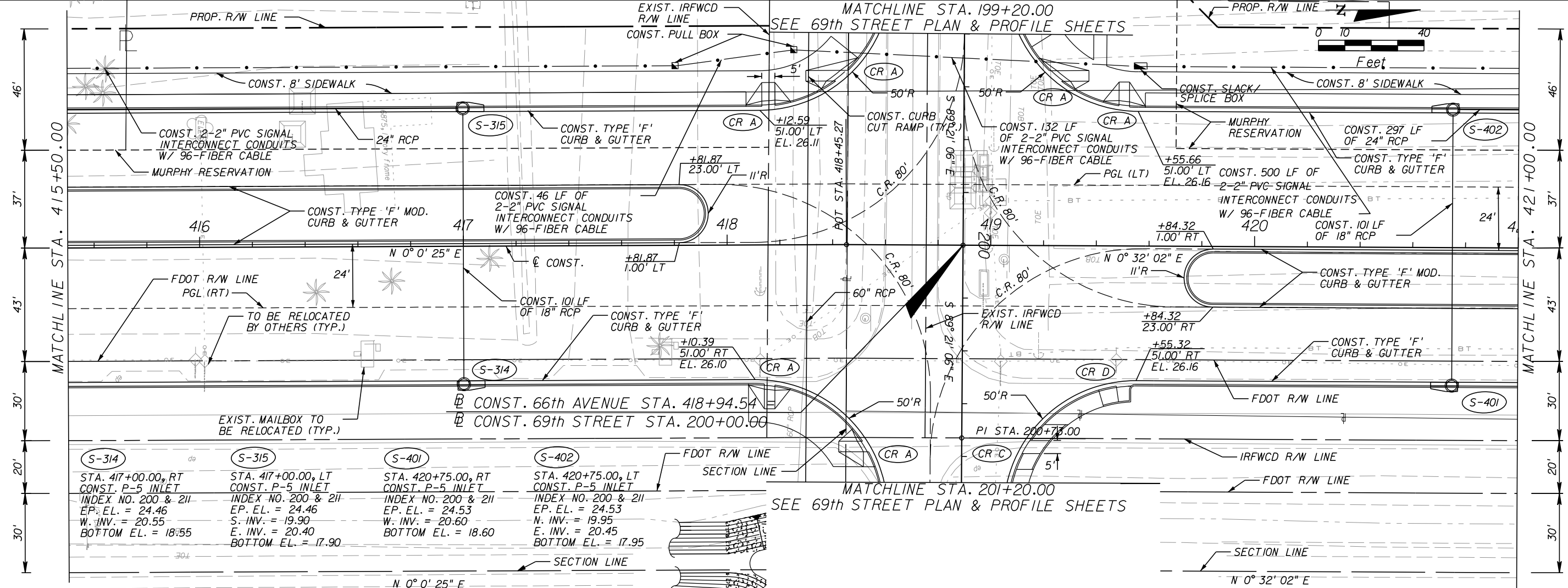
Kimley»Horn
 BRIAN A. GOOD, P.E.
 P.E. LICENSE NUMBER 56939
 445 24th STREET, SUITE 200
 VERO BEACH, FL 32960
 (772) 794-4100
 CERTIFICATE OF AUTHORIZATION# 00000696

**INDIAN RIVER COUNTY
 BOARD OF COUNTY COMMISSIONERS**
**66th AVENUE ROADWAY WIDENING -
 PHASE IB 49th STREET TO 69th STREET**

**66th AVENUE
 PLAN & PROFILE**

SHEET NO. 40

THE OFFICIAL RECORD OF THIS SHEET IS THE ELECTRONIC FILE DIGITALLY SIGNED AND SEALED UNDER RULE 61G15-23.004, F.A.C. 1505 I.R.C.O. Proj. No.



Manhole/Inlet	Station	Direction	Const. P-5 Inlet	Index No.	EP. EL.	S. INV.	E. INV.	Bottom EL.
S-314	417+00.00	RT	CONST. P-5 INLET	200 & 211	24.46	20.55	19.90	18.55
S-315	417+00.00	LT	CONST. P-5 INLET	200 & 211	24.46	19.90	20.40	17.90
S-401	420+75.00	RT	CONST. P-5 INLET	200 & 211	24.53	20.60	19.95	18.60
S-402	420+75.00	LT	CONST. P-5 INLET	200 & 211	24.53	19.95	20.45	17.95

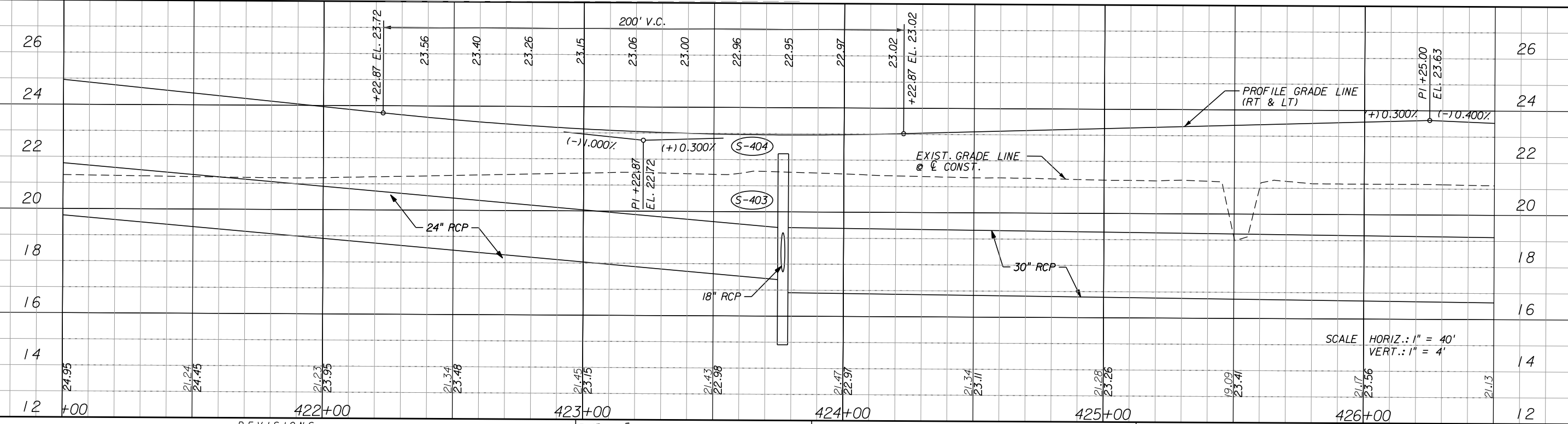
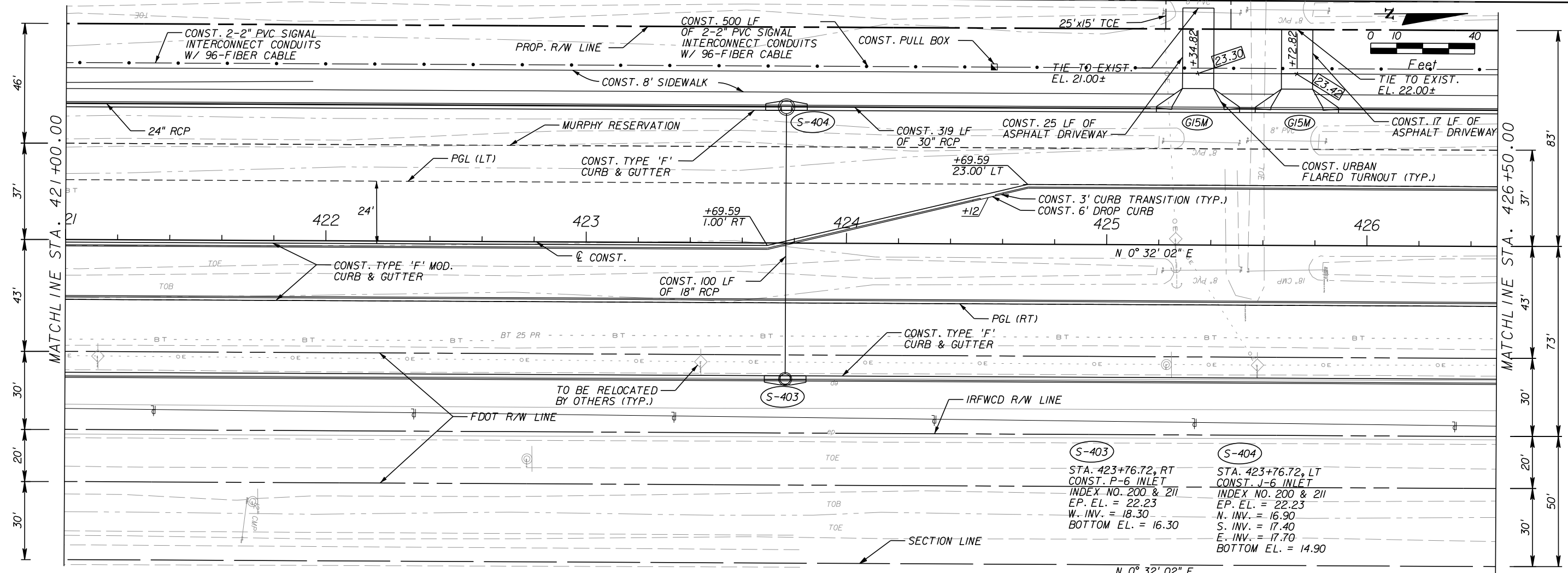
REVISIONS			
DESCRIPTION	DATE	BY	DESCRIPTION

Kimley»Horn
 BRIAN A. GOOD, P.E.
 P.E. LICENSE NUMBER 56939
 445 24th STREET, SUITE 200
 VERO BEACH, FL 32960
 (772) 794-4100
 CERTIFICATE OF AUTHORIZATION# 00000696

**INDIAN RIVER COUNTY
 BOARD OF COUNTY COMMISSIONERS**
**66th AVENUE ROADWAY WIDENING -
 PHASE IB 49th STREET TO 69th STREET**

**66th AVENUE
 PLAN & PROFILE**

SHEET NO.
41



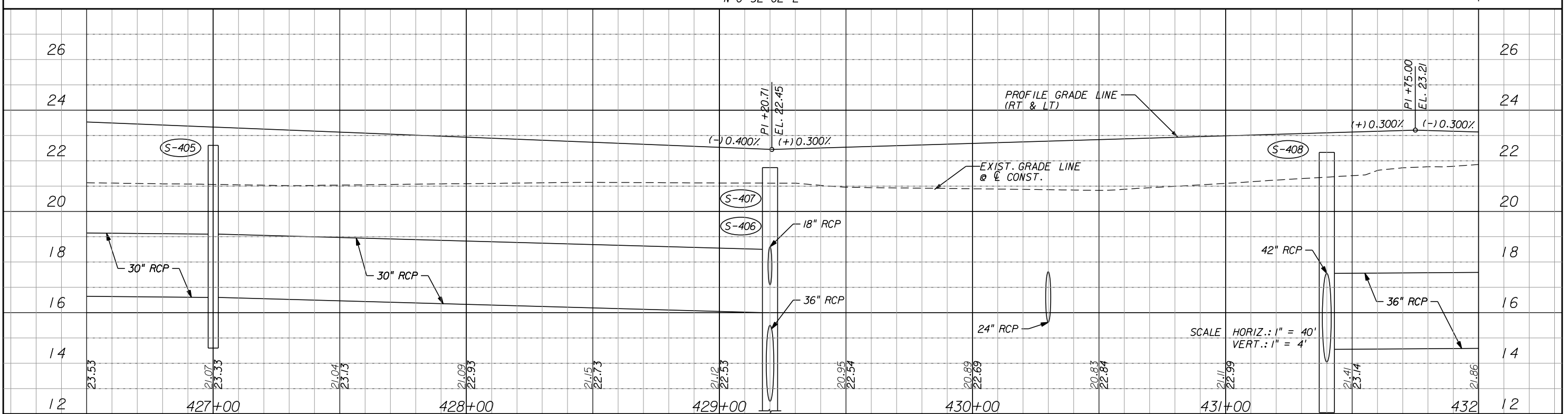
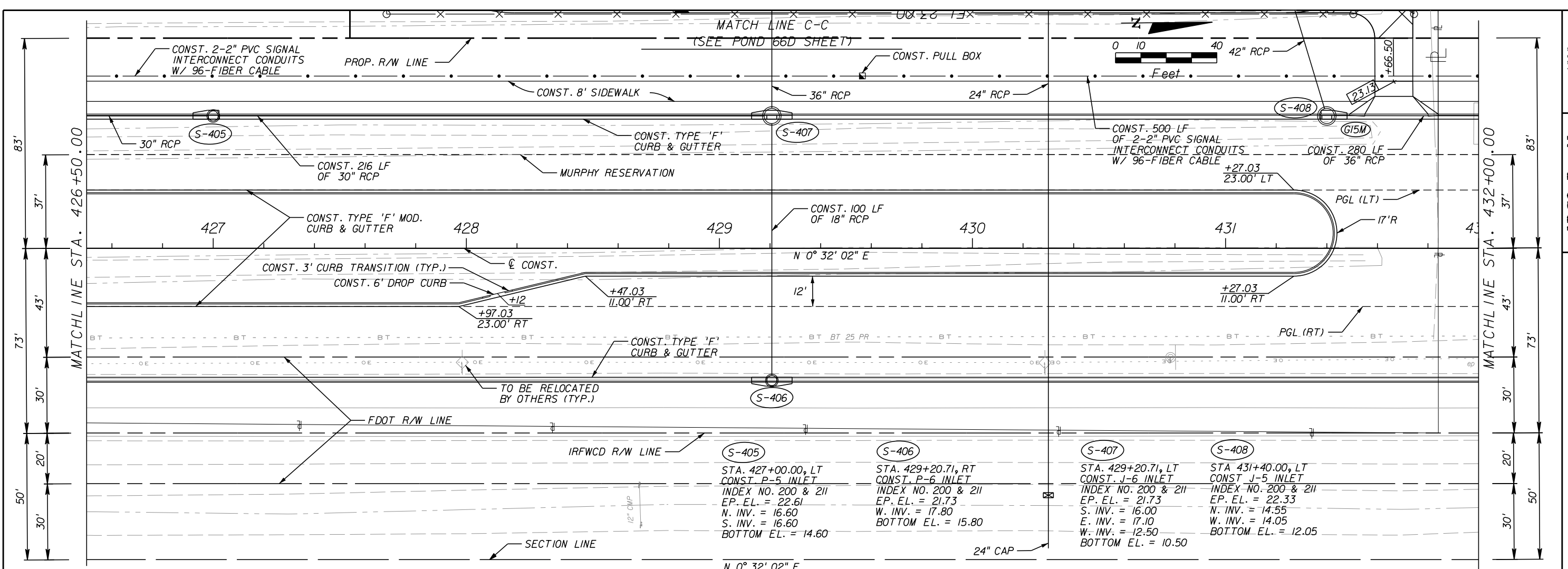
REVISIONS			
DESCRIPTION	DATE	BY	DESCRIPTION

Kimley»Horn
 BRIAN A. GOOD, P.E.
 P.E. LICENSE NUMBER 56939
 445 24th STREET, SUITE 200
 VERO BEACH, FL 32960
 (772) 794-4100
 CERTIFICATE OF AUTHORIZATION: 00000696

**INDIAN RIVER COUNTY
 BOARD OF COUNTY COMMISSIONERS**
**66th AVENUE ROADWAY WIDENING -
 PHASE IB 49th STREET TO 69th STREET**

**66th AVENUE
 PLAN & PROFILE**

SHEET NO.
 42



REVISIONS			
DESCRIPTION	DATE	BY	DESCRIPTION

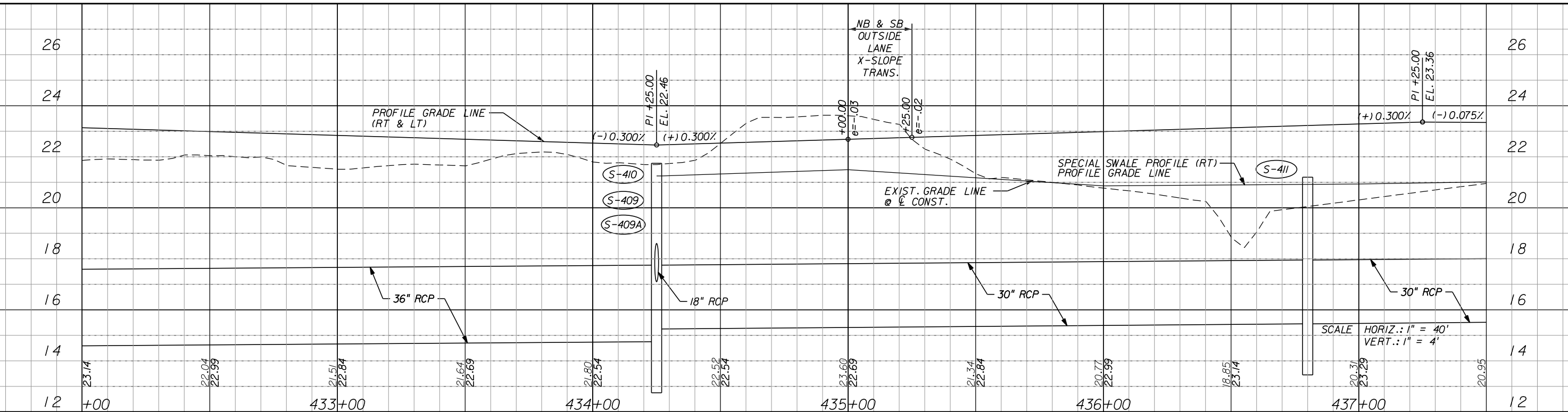
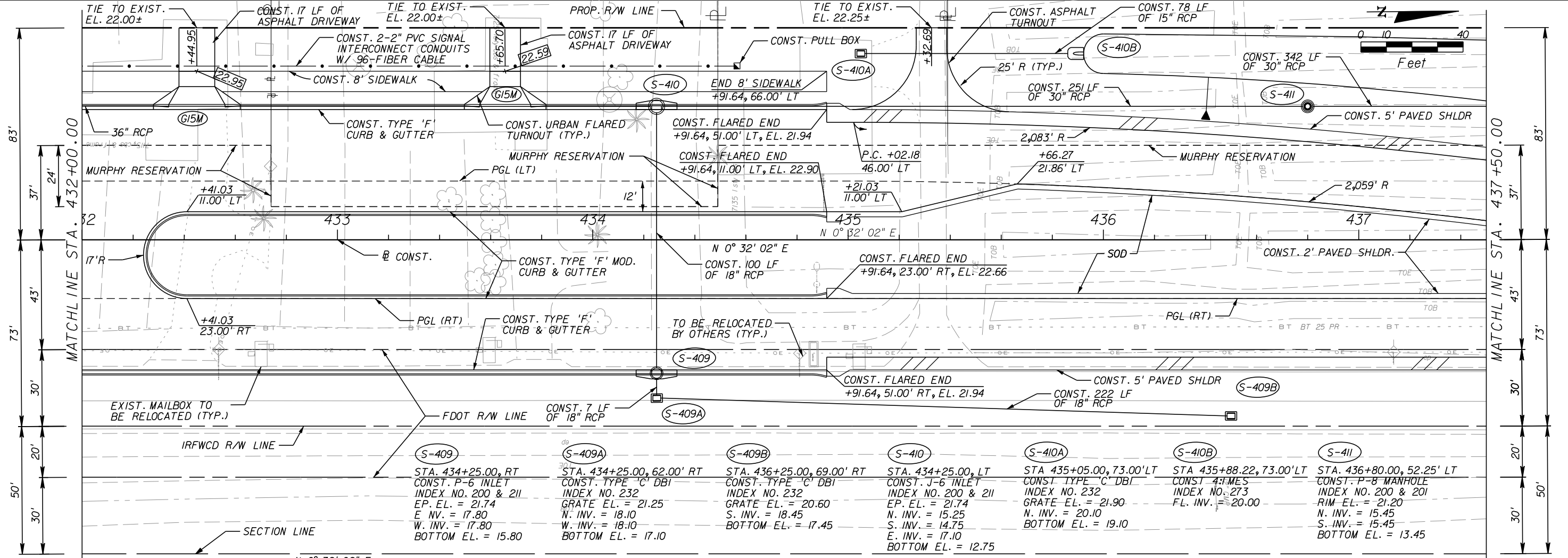
Kimley»Horn
 BRIAN A. GOOD, P.E.
 P.E. LICENSE NUMBER 56939
 445 24th STREET, SUITE 200
 VERO BEACH, FL 32960
 (772) 794-4100
 CERTIFICATE OF AUTHORIZATION# 00000696

**INDIAN RIVER COUNTY
 BOARD OF COUNTY COMMISSIONERS**
**66th AVENUE ROADWAY WIDENING -
 PHASE IB 49th STREET TO 69th STREET**

**66th AVENUE
 PLAN & PROFILE**

SHEET NO. 43

THE OFFICIAL RECORD OF THIS SHEET IS THE ELECTRONIC FILE DIGITALLY SIGNED AND SEALED UNDER RULE 61G15-23.004, F.A.C. I.R.C.O. Proj. No. 1505



REVISIONS			
NO.	DESCRIPTION	DATE	BY

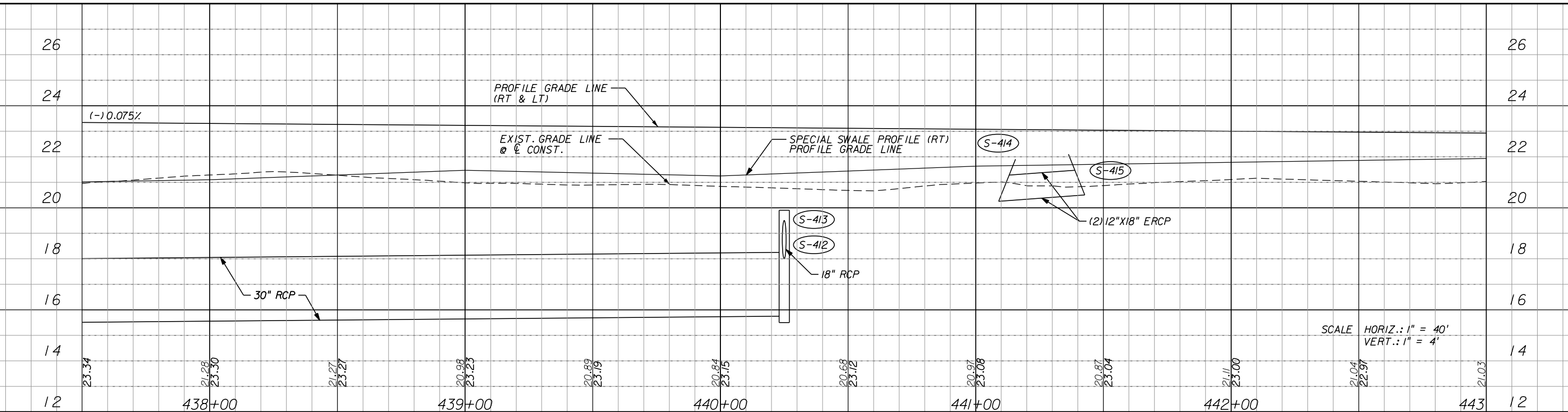
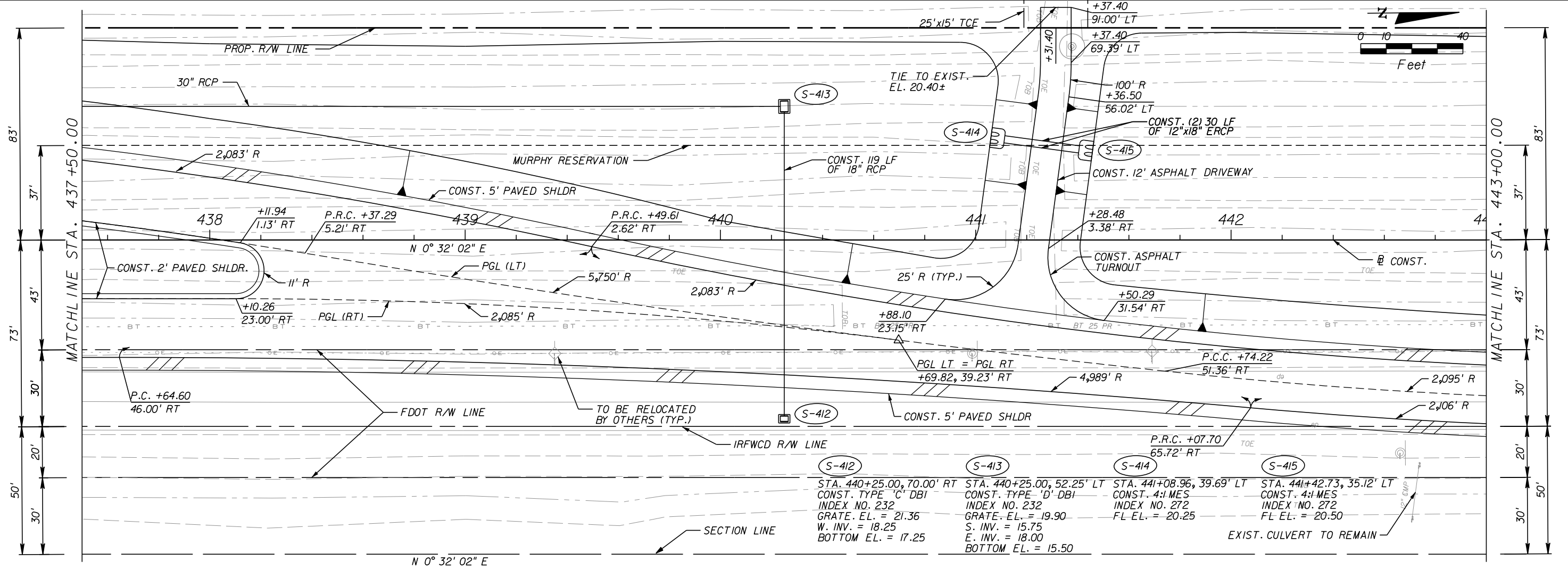
Kimley»Horn
 BRIAN A. GOOD, P.E.
 P.E. LICENSE NUMBER 56939
 445 24th STREET, SUITE 200
 VERO BEACH, FL 32960
 (772) 794-4100
 CERTIFICATE OF AUTHORIZATION# 00000696

**INDIAN RIVER COUNTY
 BOARD OF COUNTY COMMISSIONERS**
**66th AVENUE ROADWAY WIDENING -
 PHASE IB 49th STREET TO 69th STREET**

**66th AVENUE
 PLAN & PROFILE**

SHEET NO. 44

THE OFFICIAL RECORD OF THIS SHEET IS THE ELECTRONIC FILE DIGITALLY SIGNED AND SEALED UNDER RULE 61G15-23.004, F.A.C. I.R.C.O. Proj. No. 1505



REVISIONS			
DESCRIPTION	DATE	BY	DESCRIPTION

Kimley»Horn
 BRIAN A. GOOD, P.E.
 P.E. LICENSE NUMBER 56939
 445 24th STREET, SUITE 200
 VERO BEACH, FL 32960
 (772) 794-4100
 CERTIFICATE OF AUTHORIZATION# 00000696

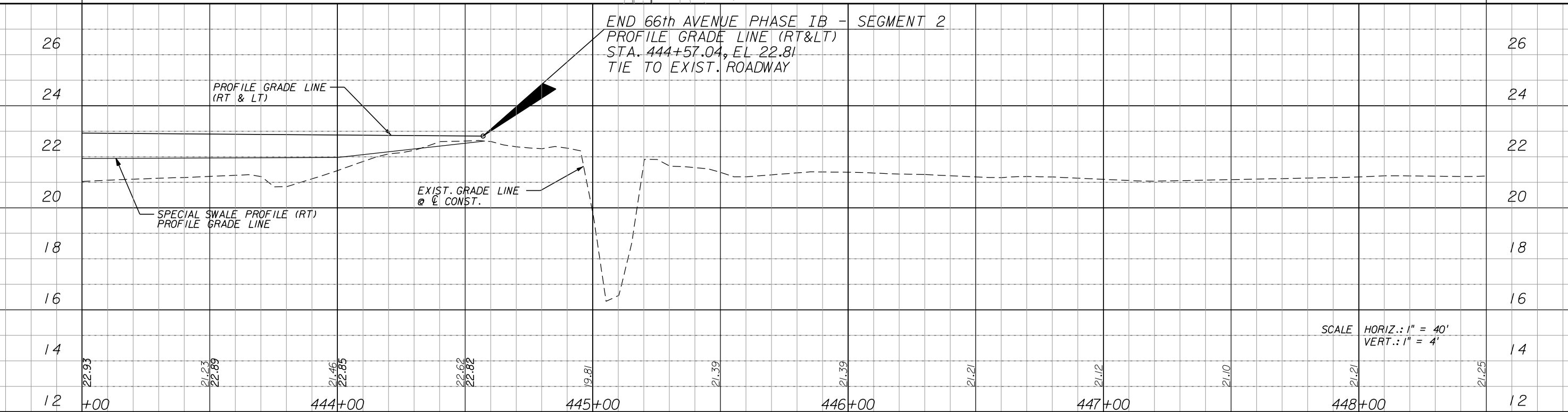
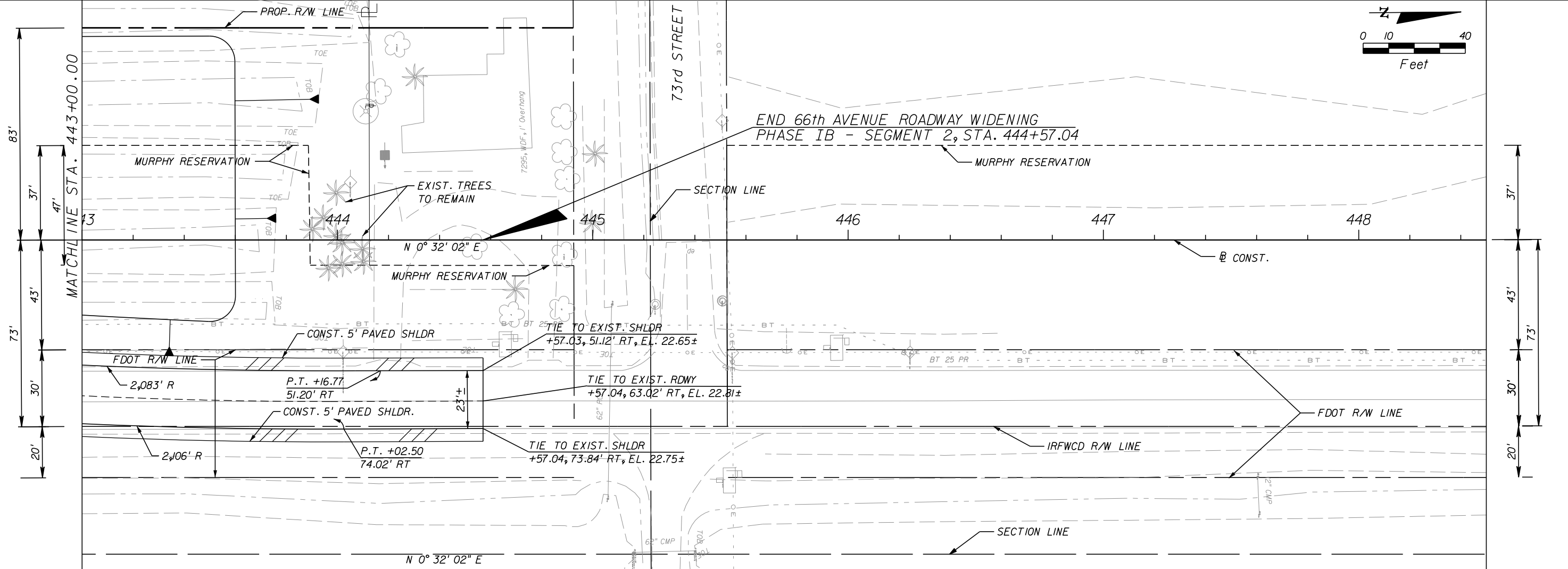
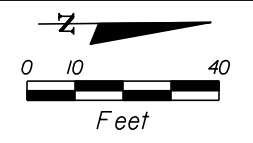
**INDIAN RIVER COUNTY
 BOARD OF COUNTY COMMISSIONERS**
**66th AVENUE ROADWAY WIDENING -
 PHASE IB 49th STREET TO 69th STREET**

**66th AVENUE
 PLAN & PROFILE**

SCALE HORIZ.: 1" = 40'
 VERT.: 1" = 4'

SHEET NO. 45

THE OFFICIAL RECORD OF THIS SHEET IS THE ELECTRONIC FILE DIGITALLY SIGNED AND SEALED UNDER RULE 61G15-23.004, F.A.C. I.R.C.O. Proj. No. 1505



REVISIONS			
DESCRIPTION	DATE	BY	DESCRIPTION

Kimley»Horn
 BRIAN A. GOOD, P.E.
 P.E. LICENSE NUMBER 56939
 445 24th STREET, SUITE 200
 VERO BEACH, FL 32960
 (772) 794-4100
 CERTIFICATE OF AUTHORIZATION# 00000696

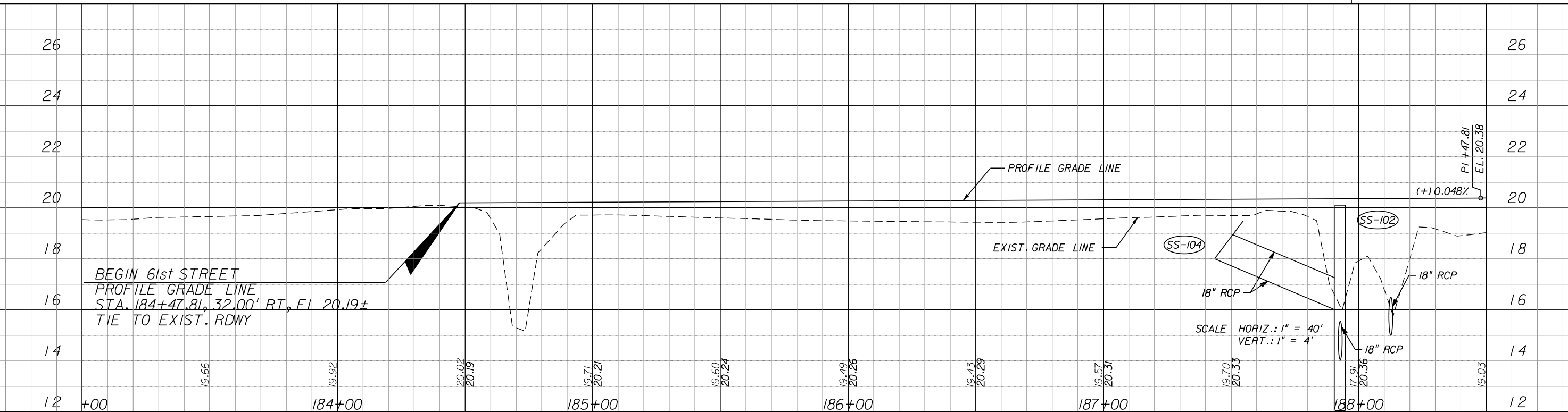
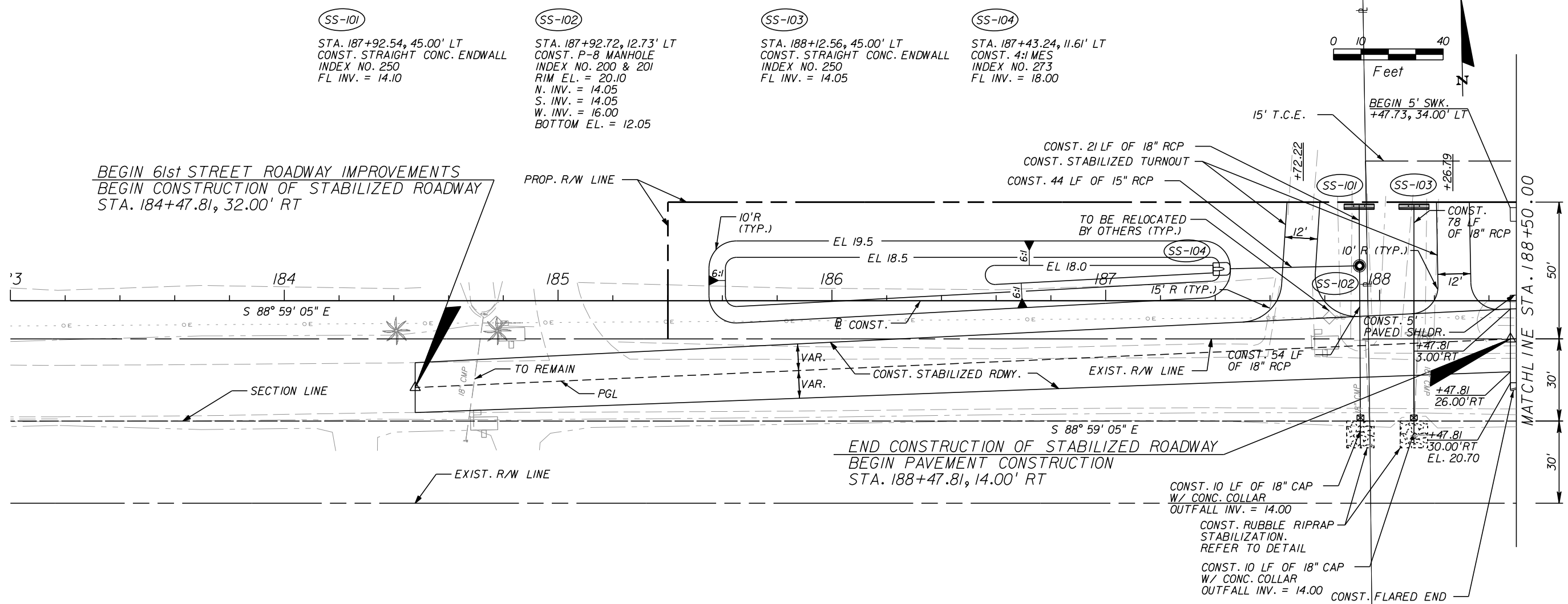
**INDIAN RIVER COUNTY
 BOARD OF COUNTY COMMISSIONERS**
**66th AVENUE ROADWAY WIDENING -
 PHASE IB 49th STREET TO 69th STREET**

**66th AVENUE
 PLAN & PROFILE**

SCALE HORIZ.: 1" = 40'
 VERT.: 1" = 4'

SHEET NO.
 46

THE OFFICIAL RECORD OF THIS SHEET IS THE ELECTRONIC FILE DIGITALLY SIGNED AND SEALED UNDER RULE 61G15-23.004, F.A.C. 1505 I.R.CO. Proj. No.



REVISIONS			
NO.	DESCRIPTION	DATE	BY

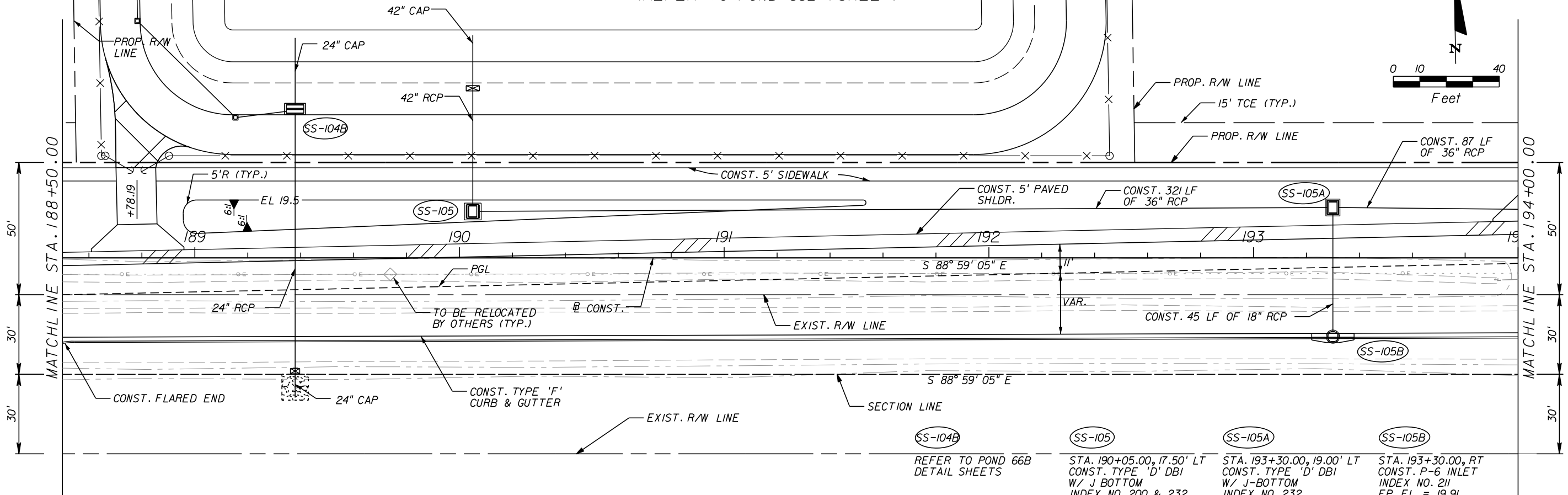
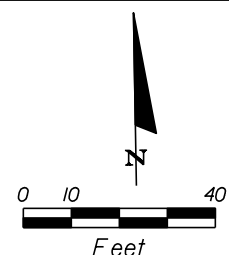
Kimley»Horn
 BRIAN A. GOOD, P.E.
 P.E. LICENSE NUMBER 56939
 445 24th STREET, SUITE 200
 VERO BEACH, FL 32960
 (772) 794-4100
 CERTIFICATE OF AUTHORIZATION# 00000696

**INDIAN RIVER COUNTY
 BOARD OF COUNTY COMMISSIONERS**
**66th AVENUE ROADWAY WIDENING -
 PHASE IB 49th STREET TO 69th STREET**

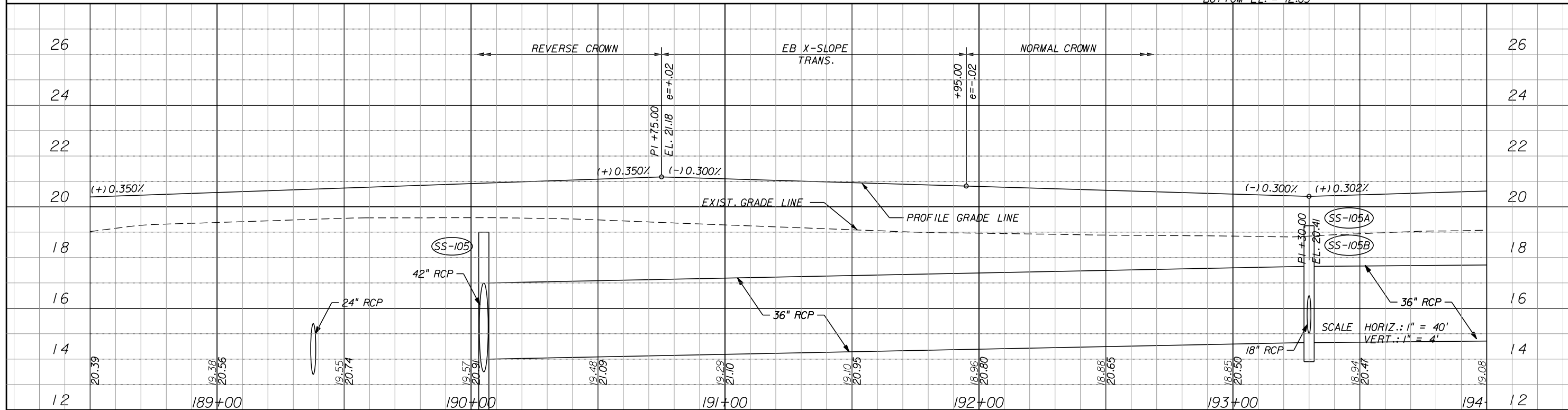
**61st STREET
 PLAN & PROFILE**

SHEET NO. 47

(REFER TO POND 66B-1 SHEET)



SS-104B	SS-105	SS-105A	SS-105B
REFER TO POND 66B DETAIL SHEETS	STA. 190+05.00, 17.50' LT CONST. TYPE 'D' DBI W/ J-BOTTOM INDEX NO. 200 & 232 GRATE EL. = 19.00 N. INV. = 13.50 E. INV. = 14.00 BOTTOM EL. = 11.50	STA. 193+30.00, 19.00' LT CONST. TYPE 'D' DBI W/ J-BOTTOM INDEX NO. 232 GRATE EL. = 19.25 S. INV. = 15.00 E. INV. = 14.65 W. INV. = 14.65 BOTTOM EL. = 12.65	STA. 193+30.00, RT CONST. P-6 INLET INDEX NO. 211 EP. EL. = 19.91 N. INV. = 15.20 BOTTOM EL. = 13.20



REVISIONS			
DESCRIPTION	DATE	BY	DESCRIPTION

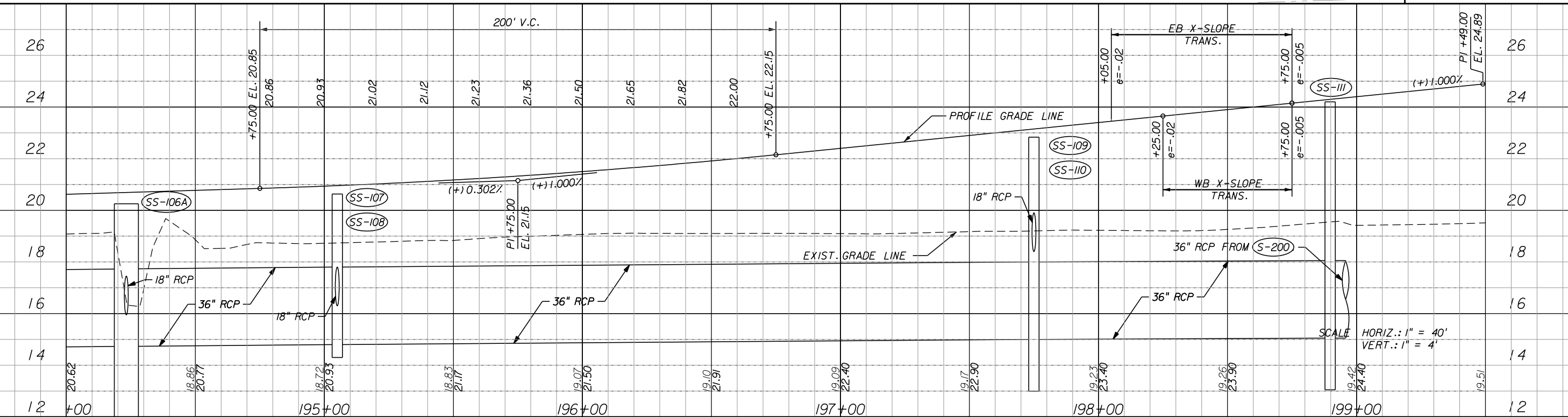
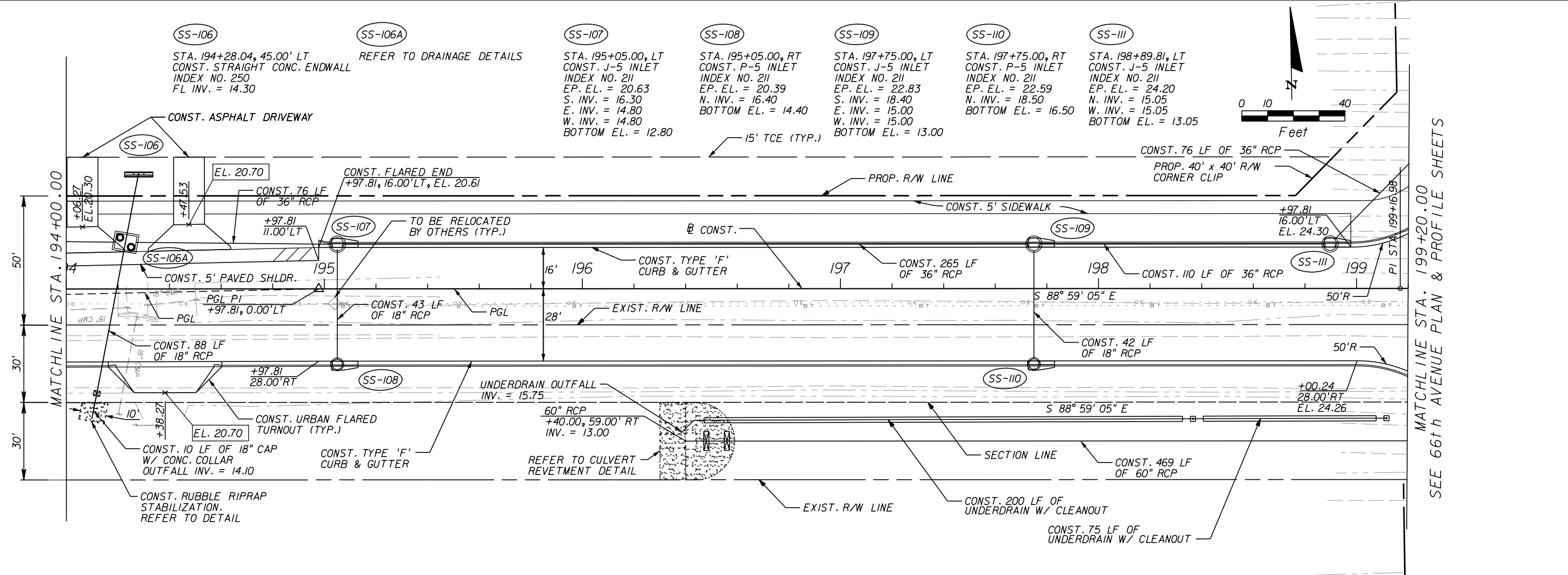
Kimley»Horn
 BRIAN A. GOOD, P.E.
 P.E. LICENSE NUMBER 56939
 445 24th STREET, SUITE 200
 VERO BEACH, FL 32960
 (772) 794-4100
 CERTIFICATE OF AUTHORIZATION# 00000696

**INDIAN RIVER COUNTY
 BOARD OF COUNTY COMMISSIONERS**
 66th AVENUE ROADWAY WIDENING -
 PHASE IB 49th STREET TO 69th STREET

**61st STREET
 PLAN & PROFILE**

SHEET NO. 48

THE OFFICIAL RECORD OF THIS SHEET IS THE ELECTRONIC FILE DIGITALLY SIGNED AND SEALED UNDER RULE 61G15-23.004, F.A.C. I.R.C.O. Proj. No. 1505



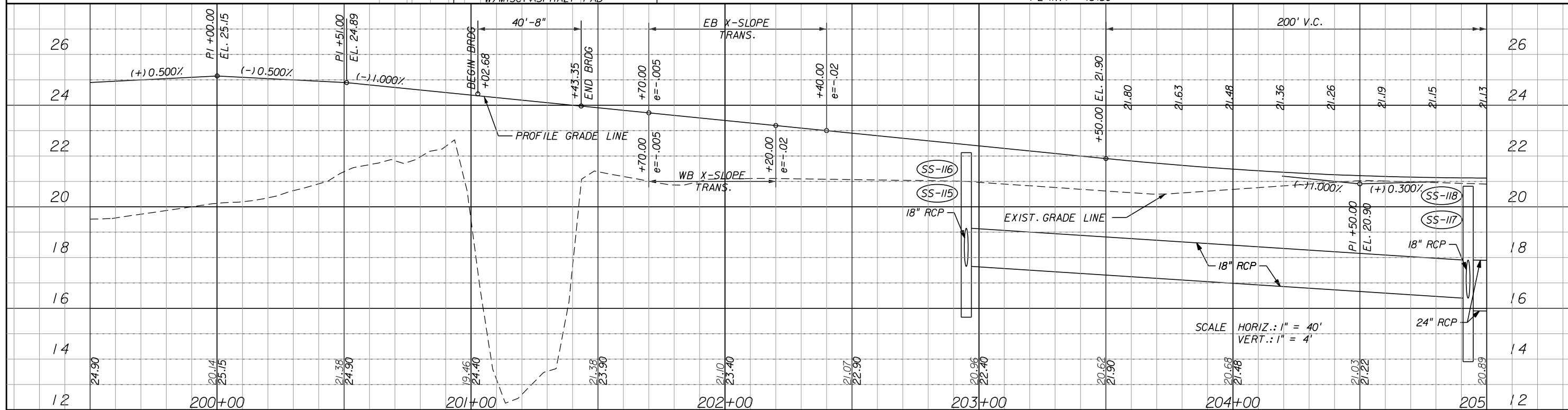
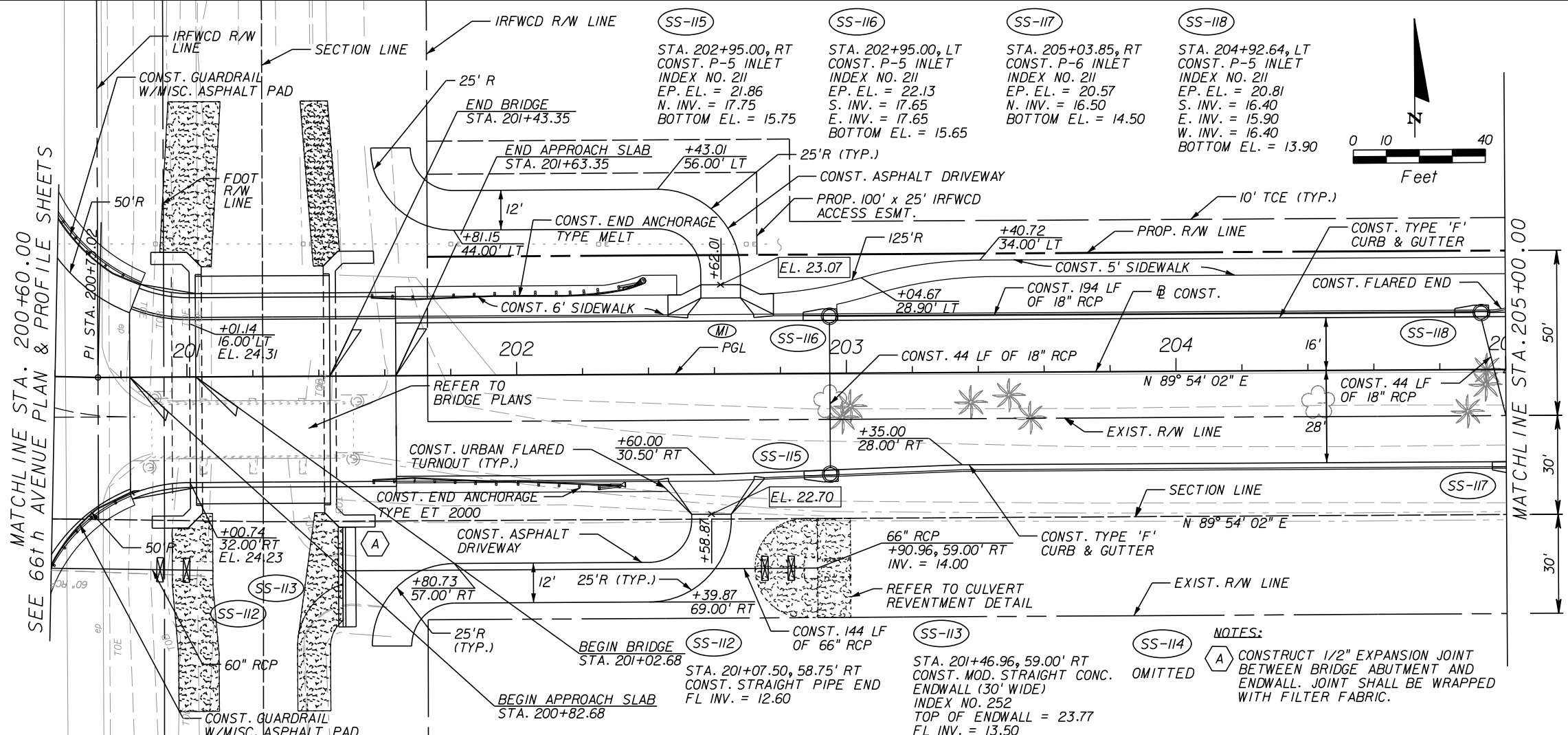
REVISIONS			
DESCRIPTION	DATE	BY	DESCRIPTION

Kimley»Horn
 BRIAN A. GOOD, P.E.
 P.E. LICENSE NUMBER 56939
 445 24th STREET, SUITE 200
 VERO BEACH, FL 32960
 (772) 794-4100
 CERTIFICATE OF AUTHORIZATION# 00000696

**INDIAN RIVER COUNTY
 BOARD OF COUNTY COMMISSIONERS**
 66th AVENUE ROADWAY WIDENING -
 PHASE IB 49th STREET TO 69th STREET

**61st STREET
 PLAN & PROFILE**

SHEET NO. 49



REVISIONS			
DESCRIPTION	DATE	BY	DESCRIPTION

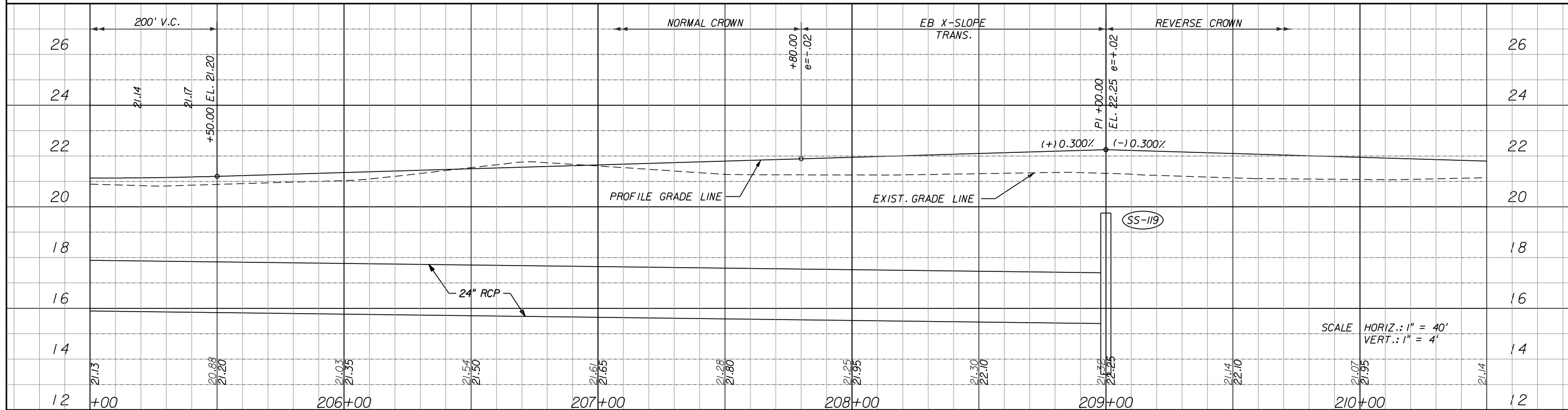
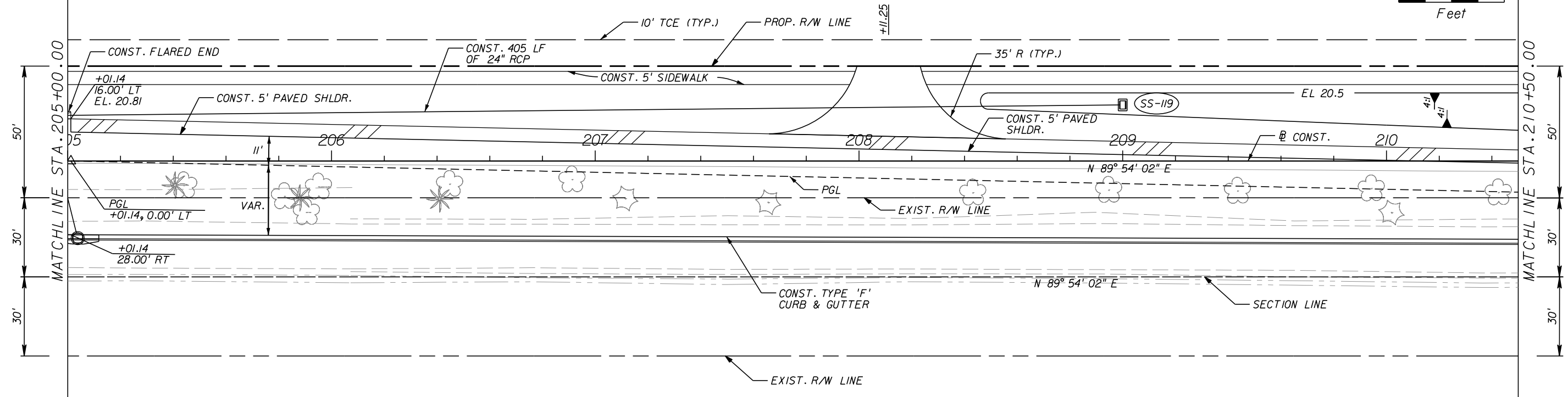
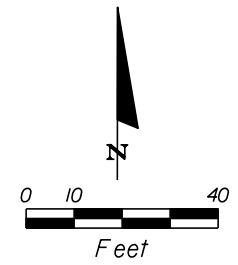
Kimley»Horn
 BRIAN A. GOOD, P.E.
 P.E. LICENSE NUMBER 56939
 445 24th STREET, SUITE 200
 VERO BEACH, FL 32960
 (772) 794-4100
 CERTIFICATE OF AUTHORIZATION# 00000696

**INDIAN RIVER COUNTY
 BOARD OF COUNTY COMMISSIONERS**
**66th AVENUE ROADWAY WIDENING -
 PHASE IB 49th STREET TO 69th STREET**

**61st STREET
 PLAN & PROFILE**

SHEET NO. 50

SS-119
 STA. 209+00.00, 20.00' LT
 CONST. TYPE 'C' DBI
 INDEX NO. 232
 GRATE EL. = 19.75
 W. INV. = 15.40
 BOTTOM EL. = 13.40



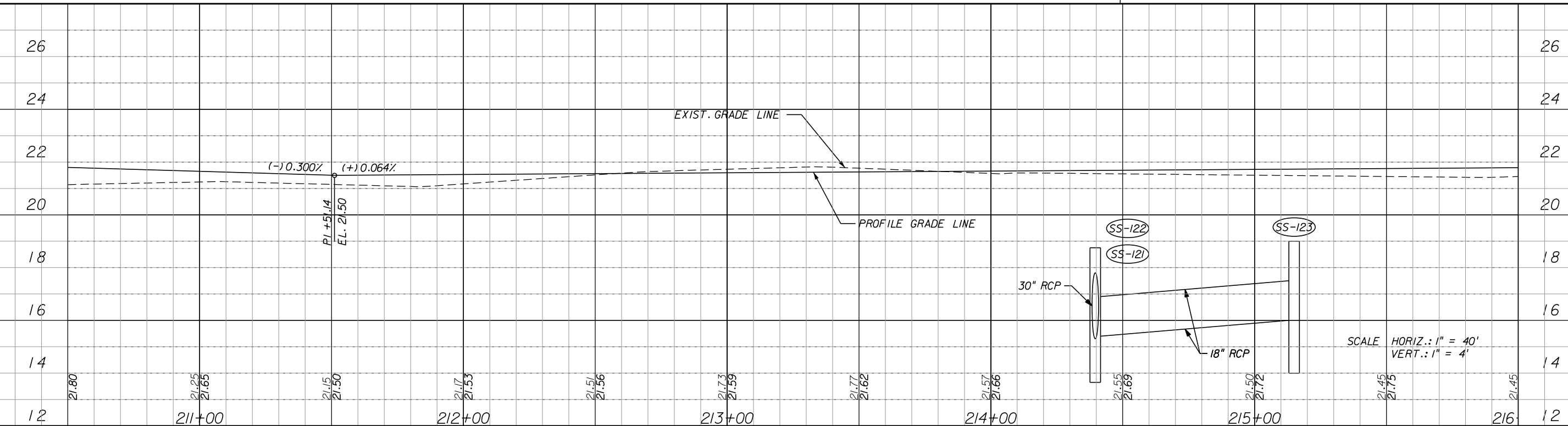
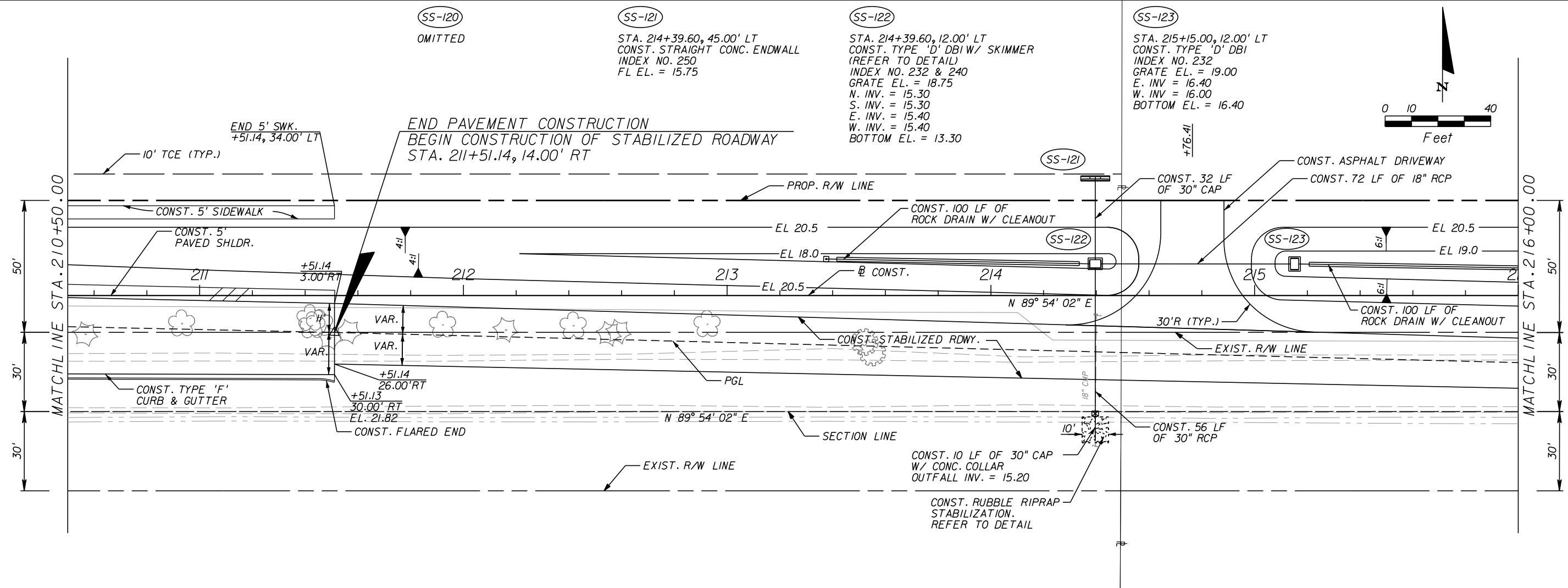
REVISIONS			
DESCRIPTION	DATE	BY	DESCRIPTION

Kimley»Horn
 BRIAN A. GOOD, P.E.
 P.E. LICENSE NUMBER 56939
 445 24th STREET, SUITE 200
 VERO BEACH, FL 32960
 (772) 794-4100
 CERTIFICATE OF AUTHORIZATION# 00000696

**INDIAN RIVER COUNTY
 BOARD OF COUNTY COMMISSIONERS**
 66th AVENUE ROADWAY WIDENING -
 PHASE IB 49th STREET TO 69th STREET

**61st STREET
 PLAN & PROFILE**

SHEET NO.
51



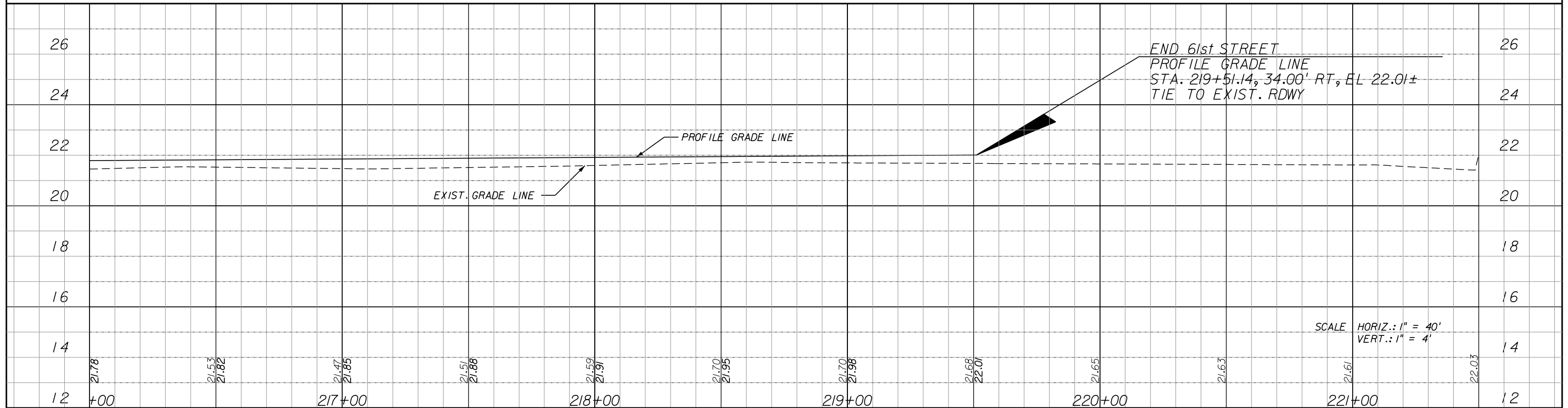
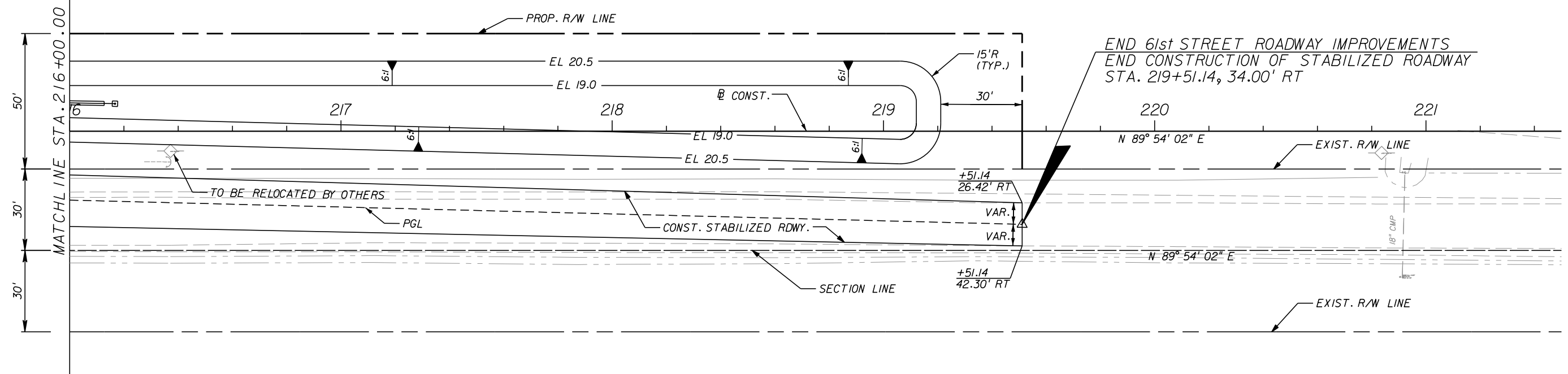
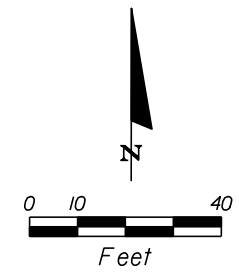
REVISIONS			
DESCRIPTION	DATE	BY	DESCRIPTION

Kimley»Horn
 BRIAN A. GOOD, P.E.
 P.E. LICENSE NUMBER 56939
 445 24th STREET, SUITE 200
 VERO BEACH, FL 32960
 (772) 794-4100
 CERTIFICATE OF AUTHORIZATION# 00000696

**INDIAN RIVER COUNTY
 BOARD OF COUNTY COMMISSIONERS**
**66th AVENUE ROADWAY WIDENING -
 PHASE IB 49th STREET TO 69th STREET**

**61st STREET
 PLAN & PROFILE**

SHEET NO.
 52



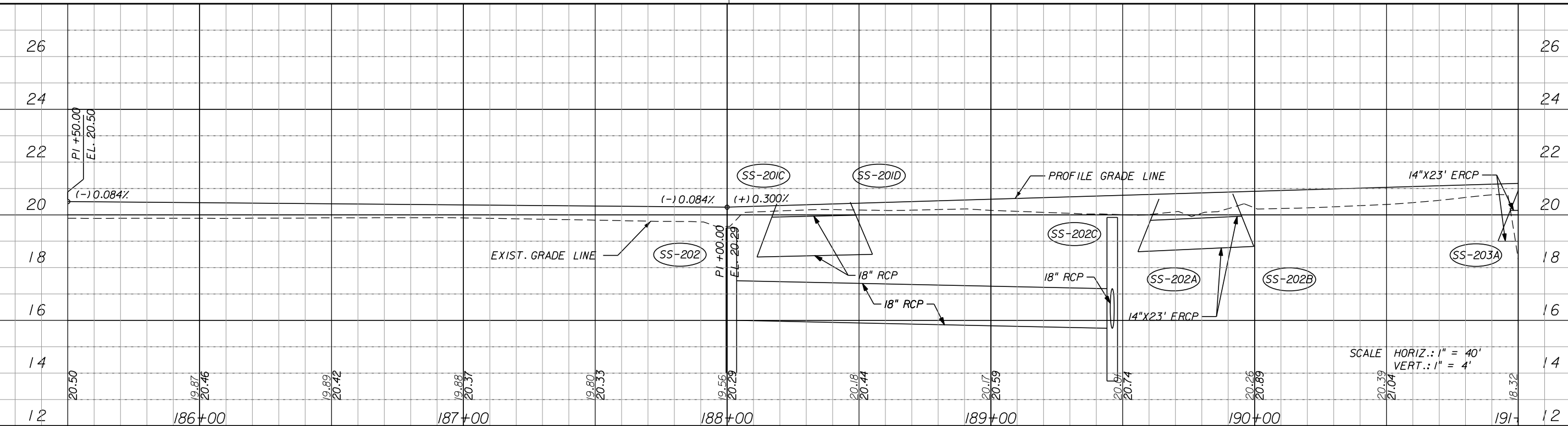
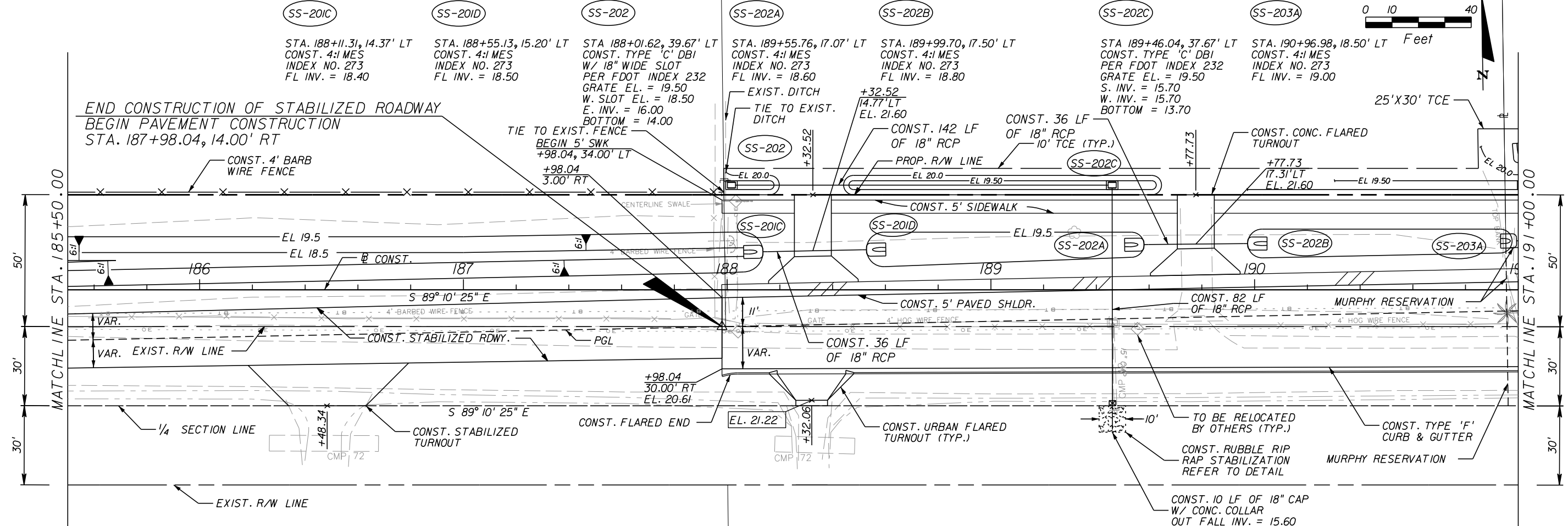
REVISIONS			
DESCRIPTION	DATE	BY	DESCRIPTION

Kimley»Horn
 BRIAN A. GOOD, P.E.
 P.E. LICENSE NUMBER 56939
 445 24th STREET, SUITE 200
 VERO BEACH, FL 32960
 (772) 794-4100
 CERTIFICATE OF AUTHORIZATION# 00000696

**INDIAN RIVER COUNTY
 BOARD OF COUNTY COMMISSIONERS**
**66th AVENUE ROADWAY WIDENING -
 PHASE IB 49th STREET TO 69th STREET**

**61st STREET
 PLAN & PROFILE**

SHEET NO.	53
-----------	----



REVISIONS			
NO.	DESCRIPTION	DATE	BY

Kimley»Horn
 BRIAN A. GOOD, P.E.
 P.E. LICENSE NUMBER 56939
 445 24th STREET, SUITE 200
 VERO BEACH, FL 32960
 (772) 794-4100
 CERTIFICATE OF AUTHORIZATION# 00000696

**INDIAN RIVER COUNTY
 BOARD OF COUNTY COMMISSIONERS**
**66th AVENUE ROADWAY WIDENING -
 PHASE IB 49th STREET TO 69th STREET**

**65th STREET
 PLAN & PROFILE**

SHEET NO.
55

THE OFFICIAL RECORD OF THIS SHEET IS THE ELECTRONIC FILE DIGITALLY SIGNED AND SEALED UNDER RULE 61G15-23.004, F.A.C. I.R.C.O. Proj. No. 1505

SS-209

STA. 197+90.00, LT
CONST. P-5 INLET
INDEX NO. 211
EP. EL. = 23.82
S. INV. = 19.50
W. INV. = 19.50
BOTTOM EL. = 17.50

SS-210

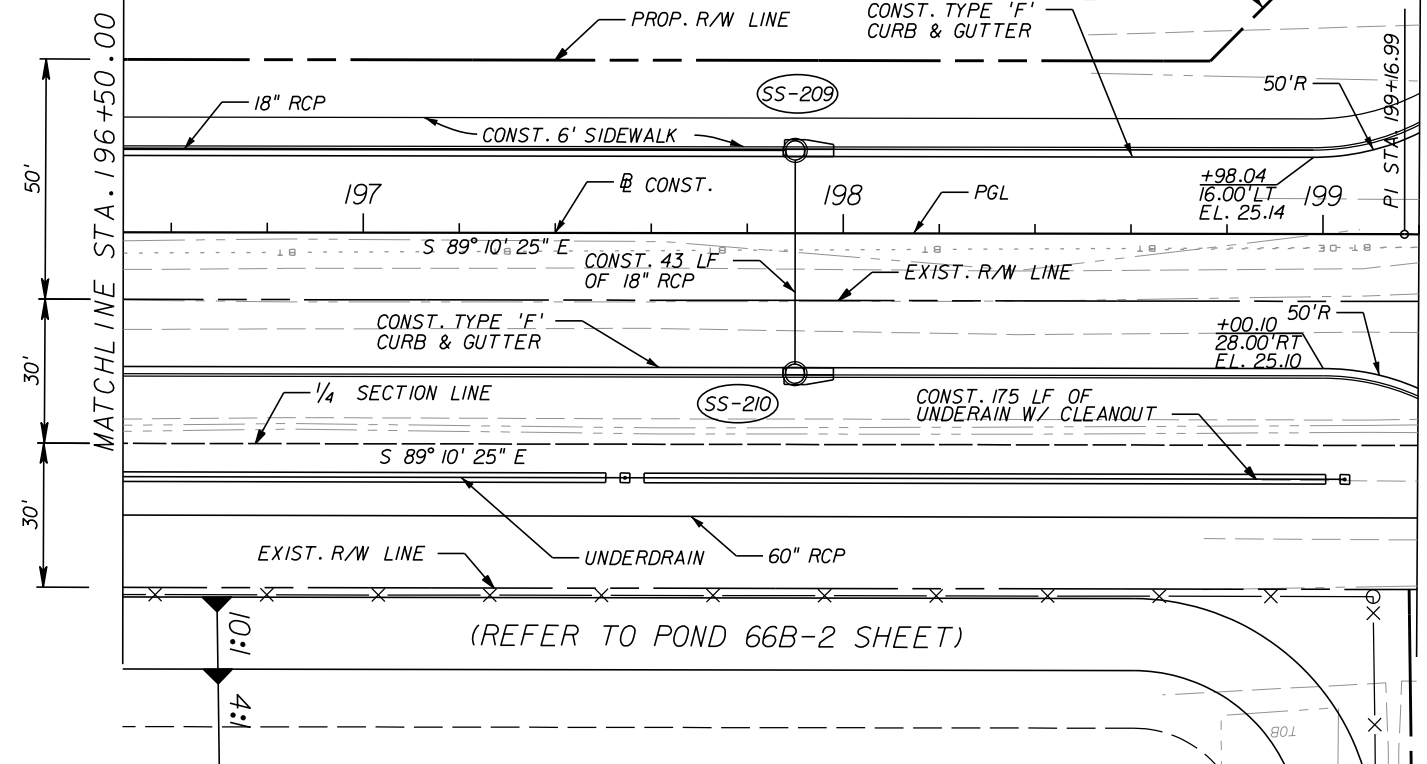
STA. 197+90.00, RT
CONST. P-5 INLET
INDEX NO. 211
EP. EL. = 23.58
N. INV. = 19.60
BOTTOM EL. = 17.60

SS-212

STA. 201+04.50, 59.00' RT
CONST. STRAIGHT PIPE END
FL INV. = 13.00

SS-213

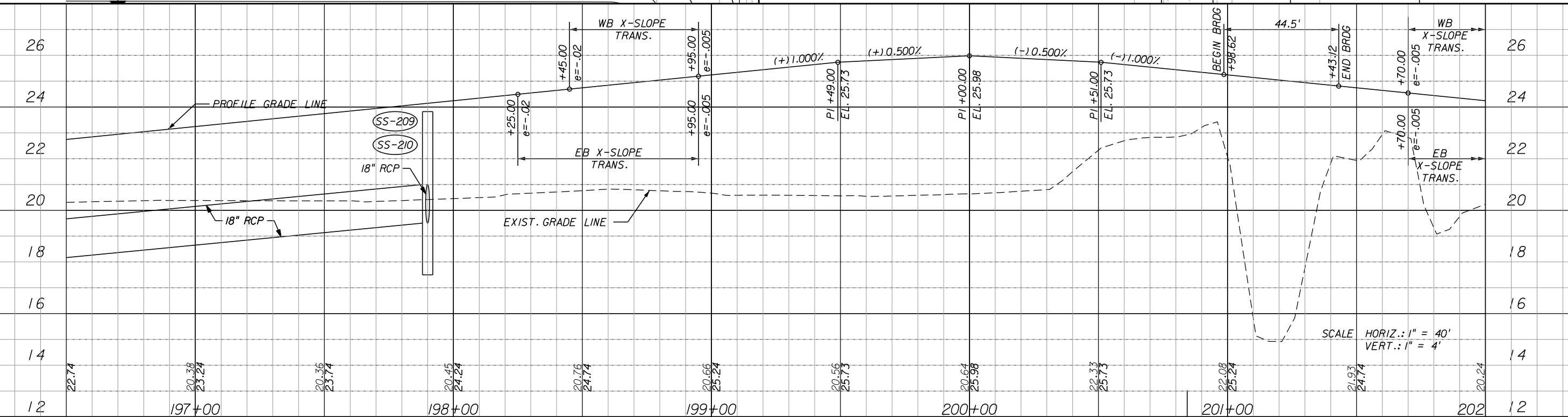
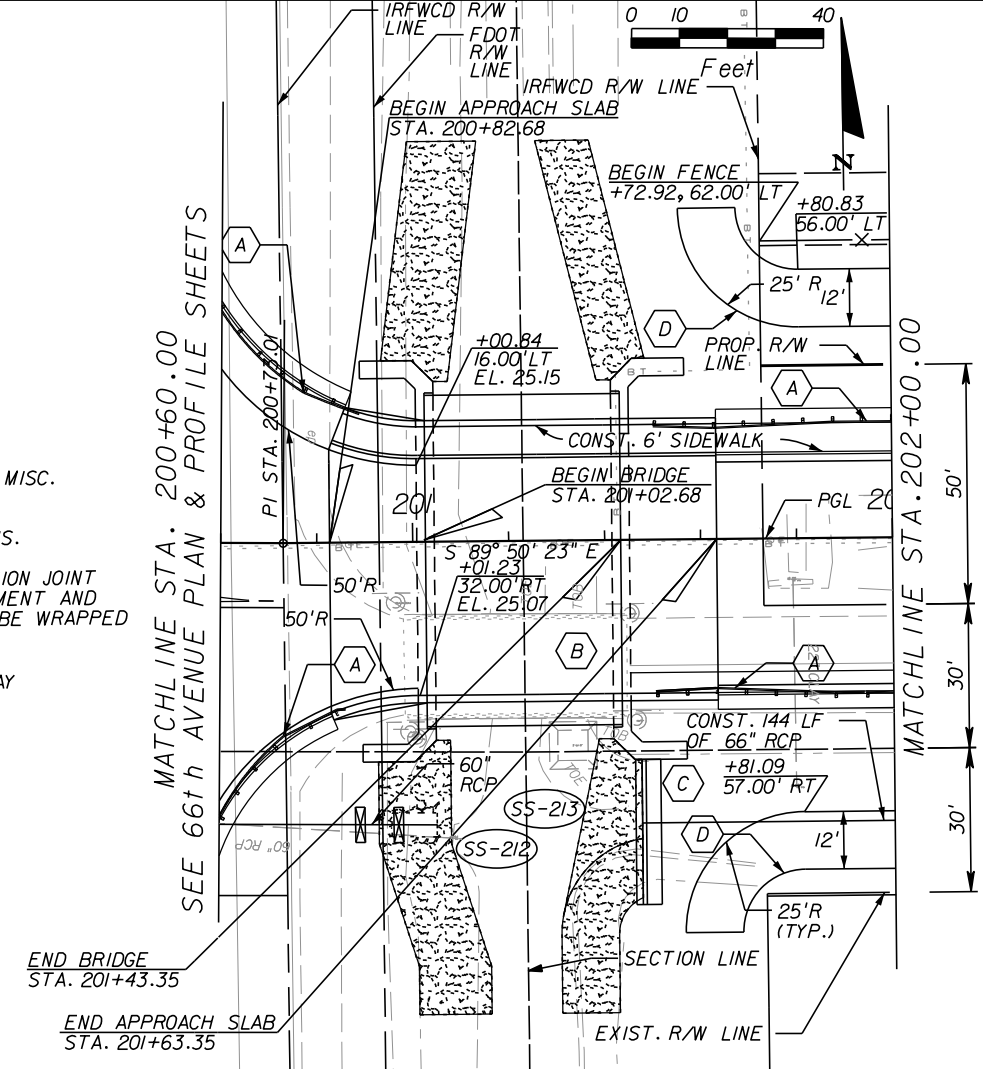
STA. 201+47.33, 59.00' RT
CONST. STRAIGHT CONC. ENDWALL
INDEX NO. 252
TOP OF ENDWALL = 24.61
FL INV. = 14.00



SEE 66th AVENUE PLAN & PROFILE SHEETS

NOTES:

- (A) CONST. GUARDRAIL WITH MISC. ASPHALT PAD.
- (B) REFER TO BRIDGE PLANS.
- (C) CONSTRUCT 1/2" EXPANSION JOINT BETWEEN BRIDGE ABUTMENT AND ENDWALL. JOINT SHALL BE WRAPPED WITH FILTER FABRIC.
- (D) CONST. ASPHALT ROADWAY



REVISIONS

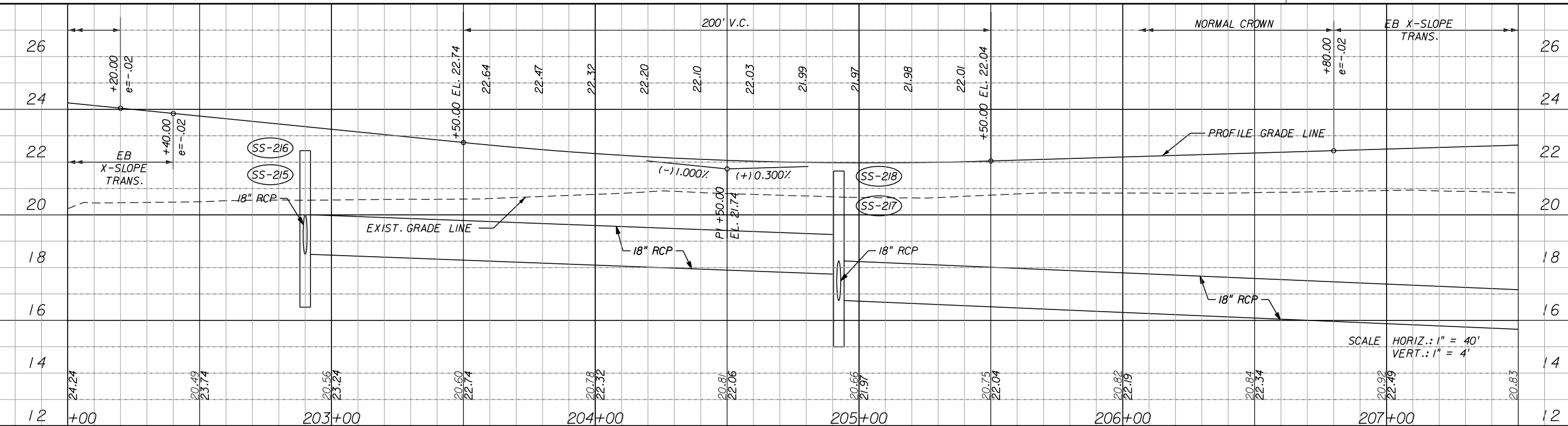
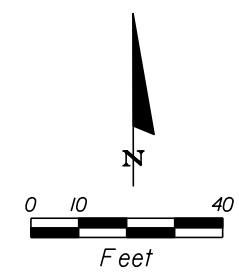
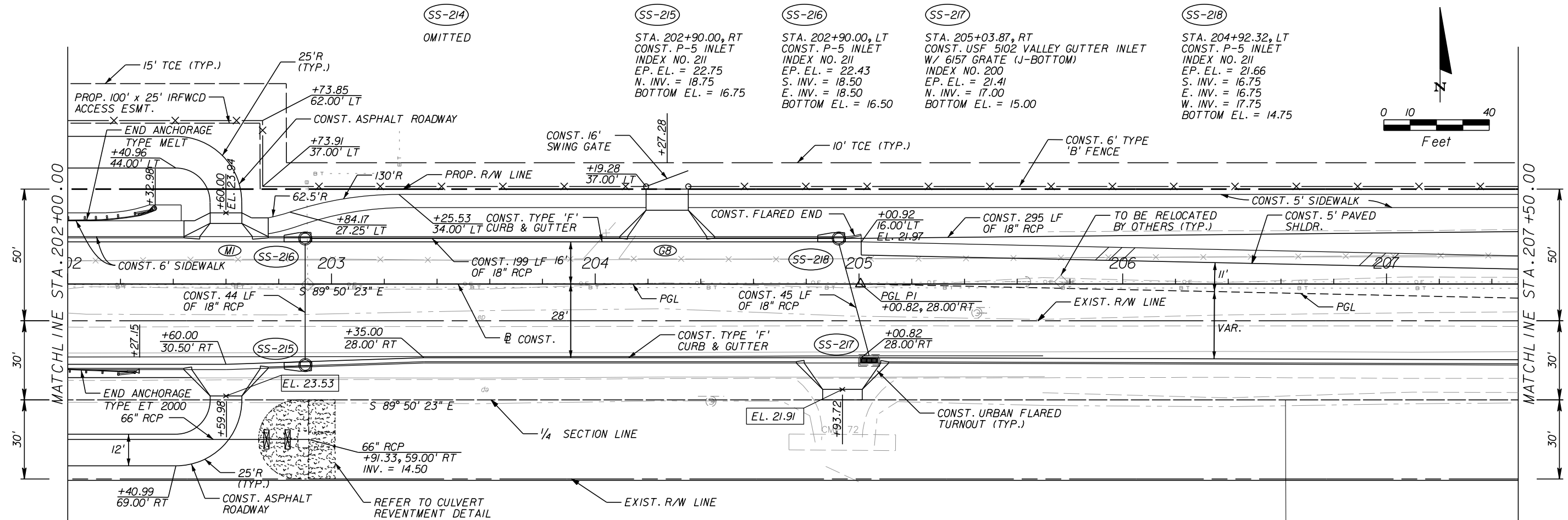
DESCRIPTION	DATE	BY	DESCRIPTION

Kimley Horn
 BRIAN A. GOOD, P.E.
 P.E. LICENSE NUMBER 56939
 445 24th STREET, SUITE 200
 VERO BEACH, FL 32960
 (772) 794-4100
 CERTIFICATE OF AUTHORIZATION# 00000696

**INDIAN RIVER COUNTY
 BOARD OF COUNTY COMMISSIONERS**
**66th AVENUE ROADWAY WIDENING -
 PHASE IB 49th STREET TO 69th STREET**

**65th STREET
 PLAN & PROFILE**
 SHEET NO. 57

THE OFFICIAL RECORD OF THIS SHEET IS THE ELECTRONIC FILE DIGITALLY SIGNED AND SEALED UNDER RULE 61G15-23.004, F.A.C. I.R.C.O. Proj. No. 1505



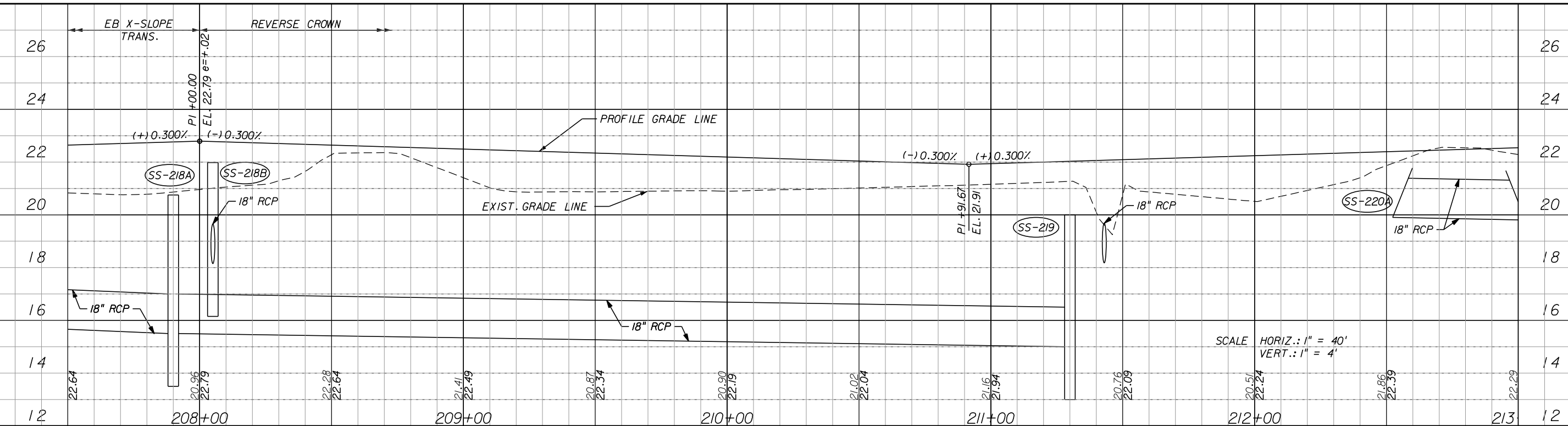
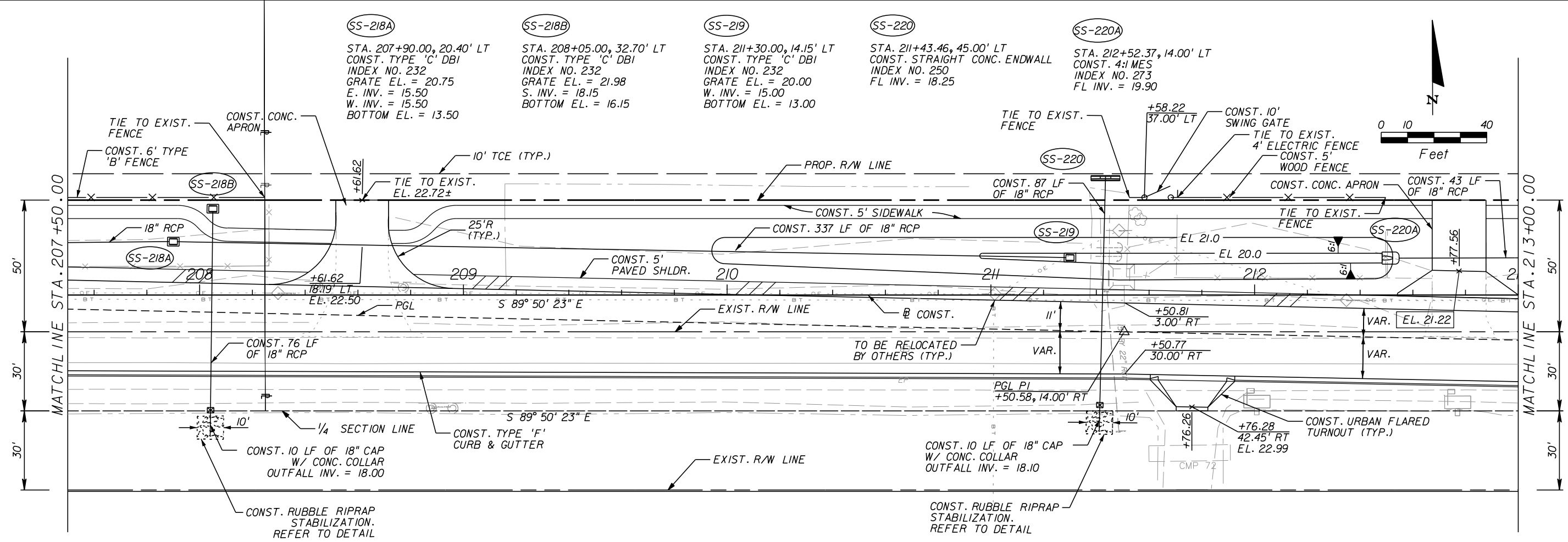
REVISIONS			
DESCRIPTION	DATE	BY	DESCRIPTION

Kimley»Horn
 BRIAN A. GOOD, P.E.
 P.E. LICENSE NUMBER 56939
 445 24th STREET, SUITE 200
 VERO BEACH, FL 32960
 (772) 794-4100
 CERTIFICATE OF AUTHORIZATION# 00000696

**INDIAN RIVER COUNTY
 BOARD OF COUNTY COMMISSIONERS**
**66th AVENUE ROADWAY WIDENING -
 PHASE IB 49th STREET TO 69th STREET**

**65th STREET
 PLAN & PROFILE**

SHEET NO.
58



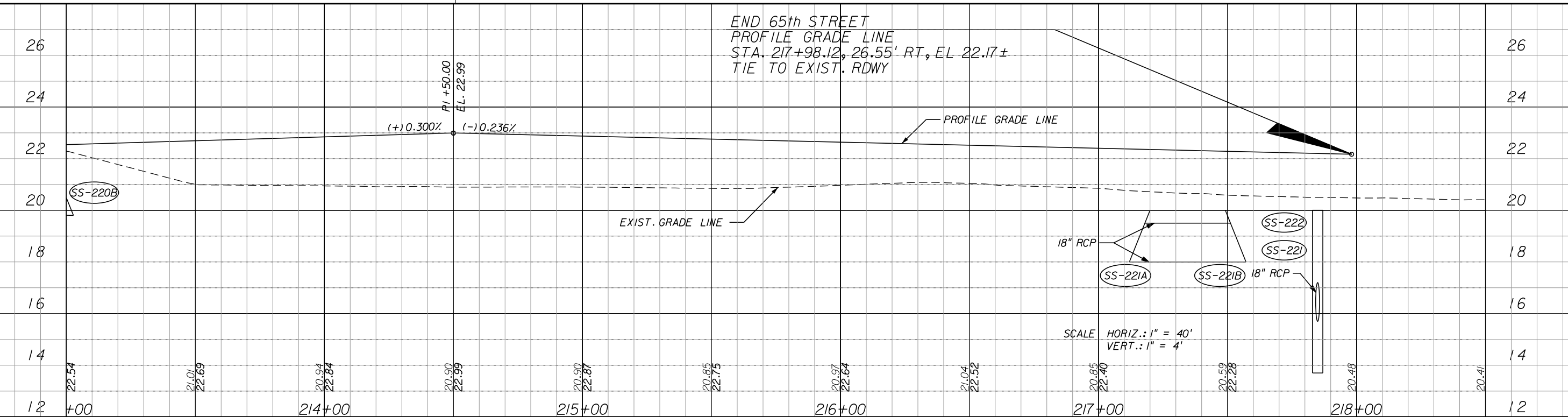
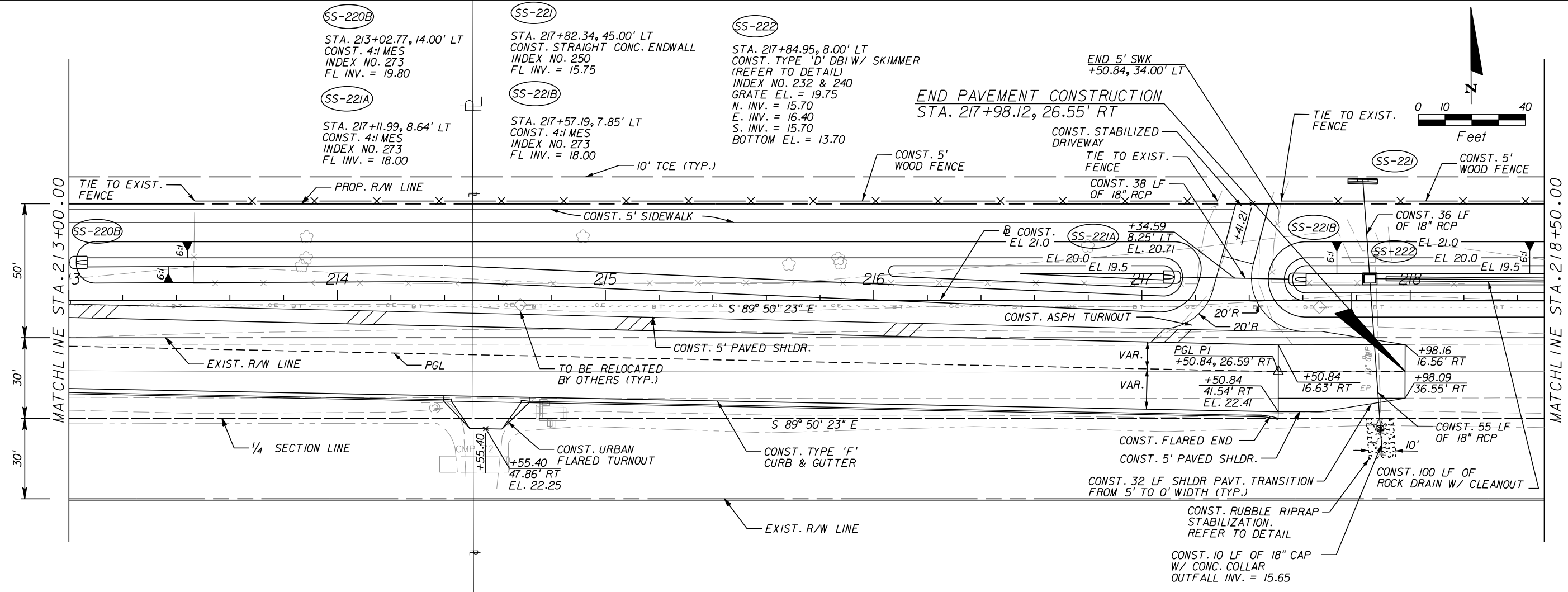
REVISIONS			
DESCRIPTION	DATE	BY	DESCRIPTION

Kimley»Horn
 BRIAN A. GOOD, P.E.
 P.E. LICENSE NUMBER 56939
 445 24th STREET, SUITE 200
 VERO BEACH, FL 32960
 (772) 794-4100
 CERTIFICATE OF AUTHORIZATION# 00000696

**INDIAN RIVER COUNTY
 BOARD OF COUNTY COMMISSIONERS**
 66th AVENUE ROADWAY WIDENING -
 PHASE IB 49th STREET TO 69th STREET

**65th STREET
 PLAN & PROFILE**

SHEET NO.
59



REVISIONS	DESCRIPTION	DATE	BY	DESCRIPTION

Kimley»Horn

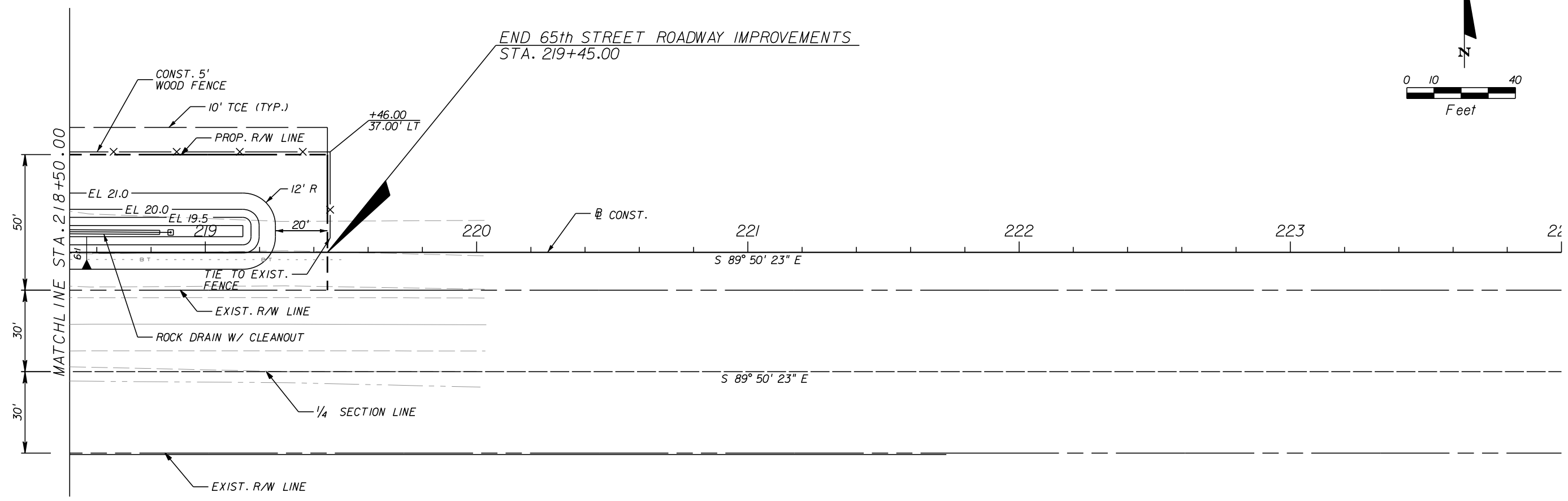
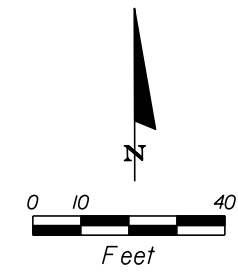
BRIAN A. GOOD, P.E.
P.E. LICENSE NUMBER 56939
445 24th STREET, SUITE 200
VERO BEACH, FL 32960
(772) 794-4100
CERTIFICATE OF AUTHORIZATION# 00000696

**INDIAN RIVER COUNTY
BOARD OF COUNTY COMMISSIONERS**

**66th AVENUE ROADWAY WIDENING -
PHASE IB 49th STREET TO 69th STREET**

**65th STREET
PLAN & PROFILE**

SHEET NO.
60



SCALE HORIZ.: 1" = 40'
VERT.: 1" = 4'

REVISIONS			
DESCRIPTION	DATE	BY	DESCRIPTION

Kimley»Horn
 BRIAN A. GOOD, P.E.
 P.E. LICENSE NUMBER 56939
 445 24th STREET, SUITE 200
 VERO BEACH, FL 32960
 (772) 794-4100
 CERTIFICATE OF AUTHORIZATION# 00000696

**INDIAN RIVER COUNTY
 BOARD OF COUNTY COMMISSIONERS**
**66th AVENUE ROADWAY WIDENING -
 PHASE IB 49th STREET TO 69th STREET**

**65th STREET
 PLAN & PROFILE**

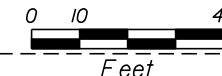
SHEET NO.
 61

SS-301

STA. 182+71.99, 23.63' LT
CONST. 4:1 MES
INDEX NO. 273
FL INV. = 19.00

SS-302

STA. 183+08.84, 23.65' LT
CONST. 4:1 MES
INDEX NO. 273
FL INV. = 19.00



BEGIN 69th STREET ROADWAY IMPROVEMENTS
STA. 181+45.85

43.31' TCE'

BEGIN 5' SWK.
+45.85, 54.00' LT

15' R (TYP.)

MURPHY RESERVATION

10' TCE' (TYP.)

PROP. R/W LINE

CONST. 5' SIDEWALK

TIE TO EXIST.
EL. 21.40±

15' R (TYP.)

SS-302

CONST. CONCRETE DRIVEWAY

179

180

181

182

183

184

S 89° 22' 53" E

S 89° 22' 53" E

CONST. 29 LF
OF 15" RCP

EL. 21.50

EXIST. IRFWCD R/W LINE

SECTION LINE

EXIST. IRFWCD R/W LINE

MATCHLINE STA. 184+00.00

94.5'

30'

30'

26

26

24

24

22

22

20

20

18

18

16

16

14

14

12

12

20.87

181+00

21.12

20.99

182+00

21.01

SS-301

15" RCP

SS-302

183+00

21.23

21.05

184

21.15

SCALE HOR: 1"=40'
VERT: 1"= 4'

REVISIONS

DESCRIPTION DATE BY DESCRIPTION

Kimley»Horn

BRIAN A. GOOD, P.E.
P.E. LICENSE NUMBER 56939
445 24th STREET, SUITE 200
VERO BEACH, FL 32960
(772) 794-4100
CERTIFICATE OF AUTHORIZATION# 00000696

**INDIAN RIVER COUNTY
BOARD OF COUNTY COMMISSIONERS**
**66th AVENUE ROADWAY WIDENING -
PHASE IB 49th STREET TO 69th STREET**

**69th STREET
PLAN & PROFILE**

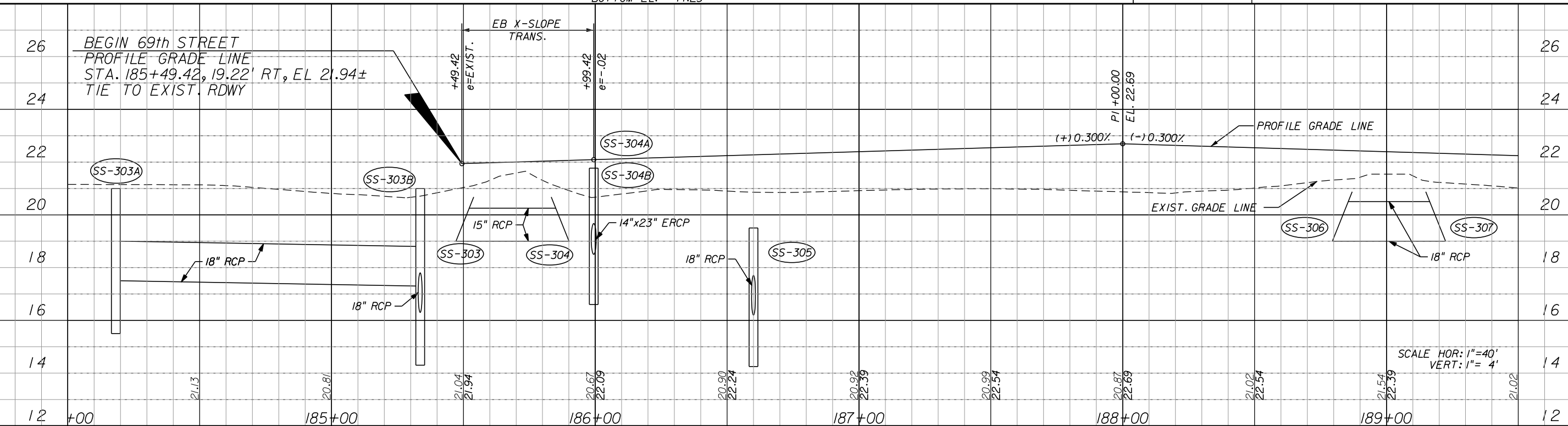
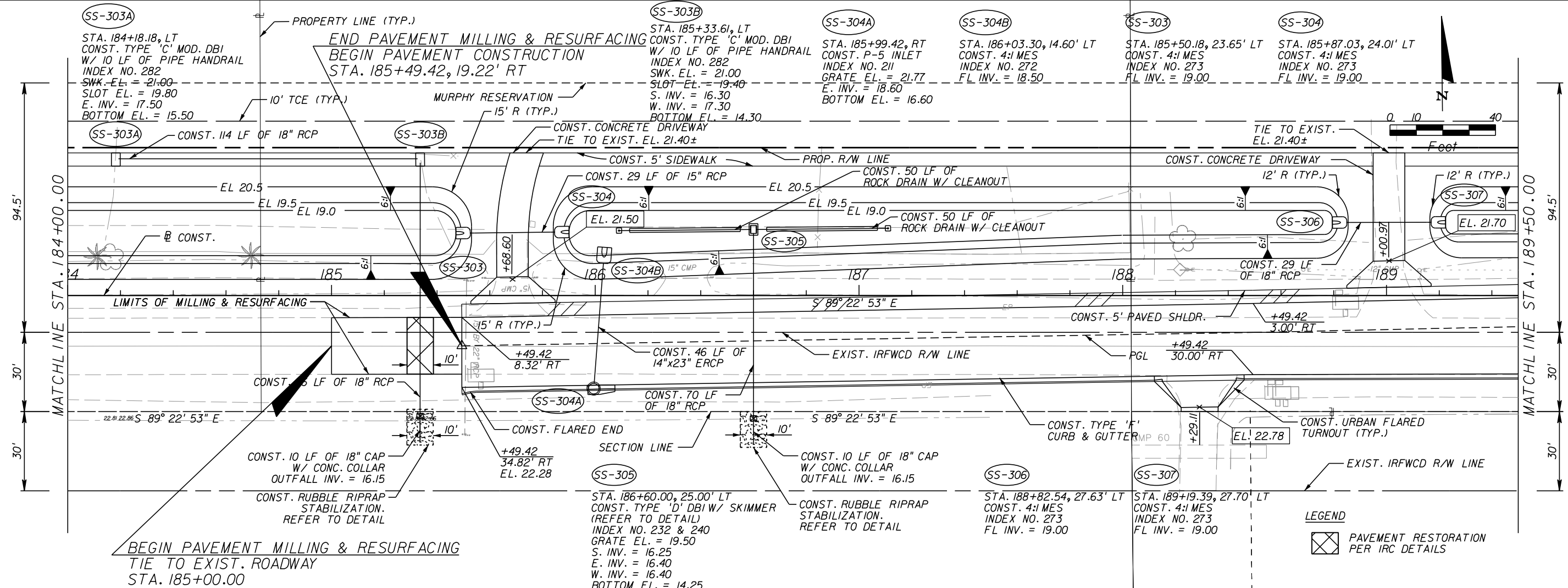
SHEET NO.

62

THE OFFICIAL RECORD OF THIS SHEET IS THE ELECTRONIC FILE DIGITALLY SIGNED AND SEALED UNDER RULE 61G15-23.004, F.A.C.

IRCO Proj. No.

1505



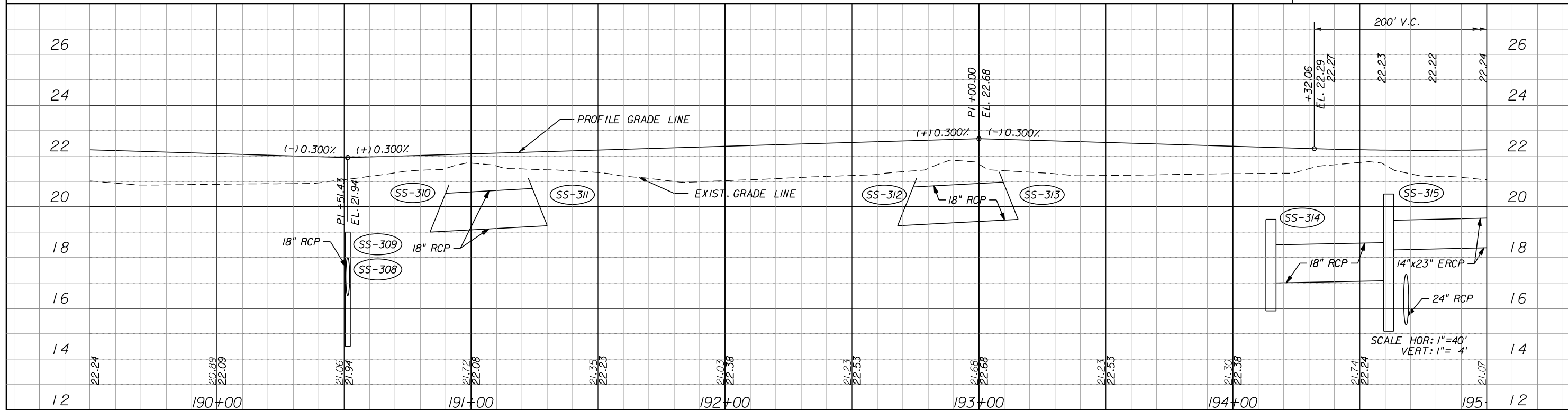
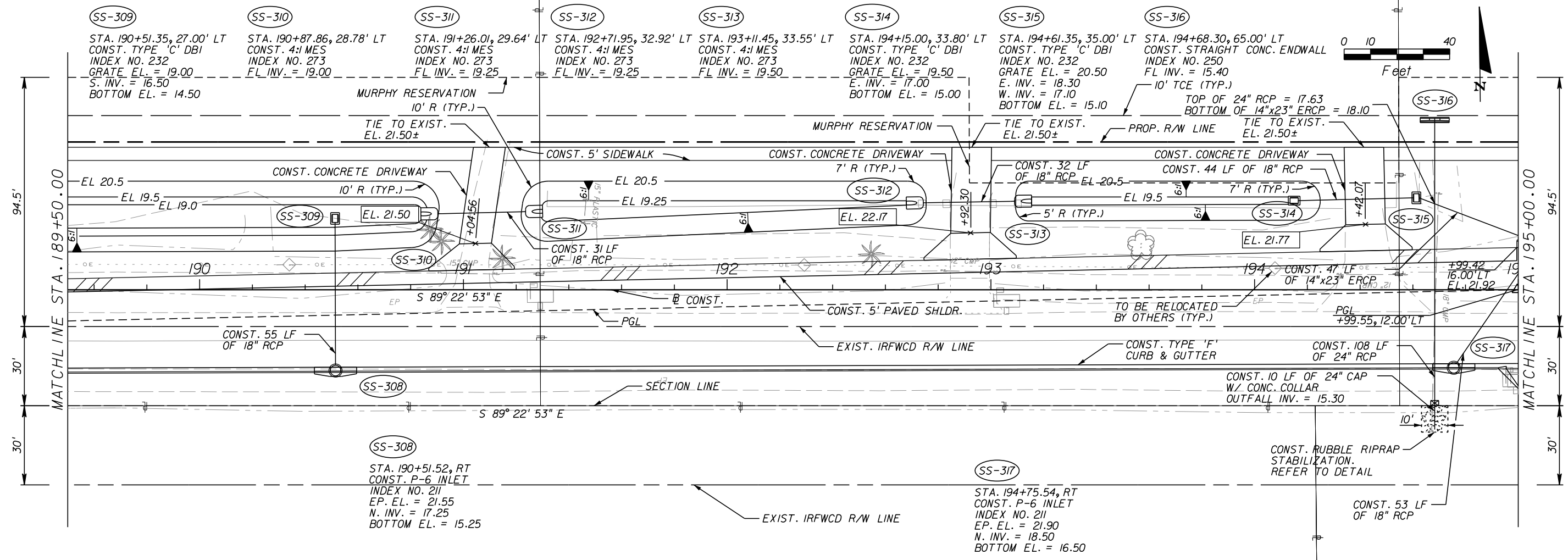
REVISIONS			
NO.	DESCRIPTION	DATE	BY

Kimley»Horn
 BRIAN A. GOOD, P.E.
 P.E. LICENSE NUMBER 56939
 445 24th STREET, SUITE 200
 VERO BEACH, FL 32960
 (772) 794-4100
 CERTIFICATE OF AUTHORIZATION# 00000696

**INDIAN RIVER COUNTY
 BOARD OF COUNTY COMMISSIONERS**
 66th AVENUE ROADWAY WIDENING -
 PHASE IB 49th STREET TO 69th STREET

**69th STREET
 PLAN & PROFILE**

SHEET NO.
63



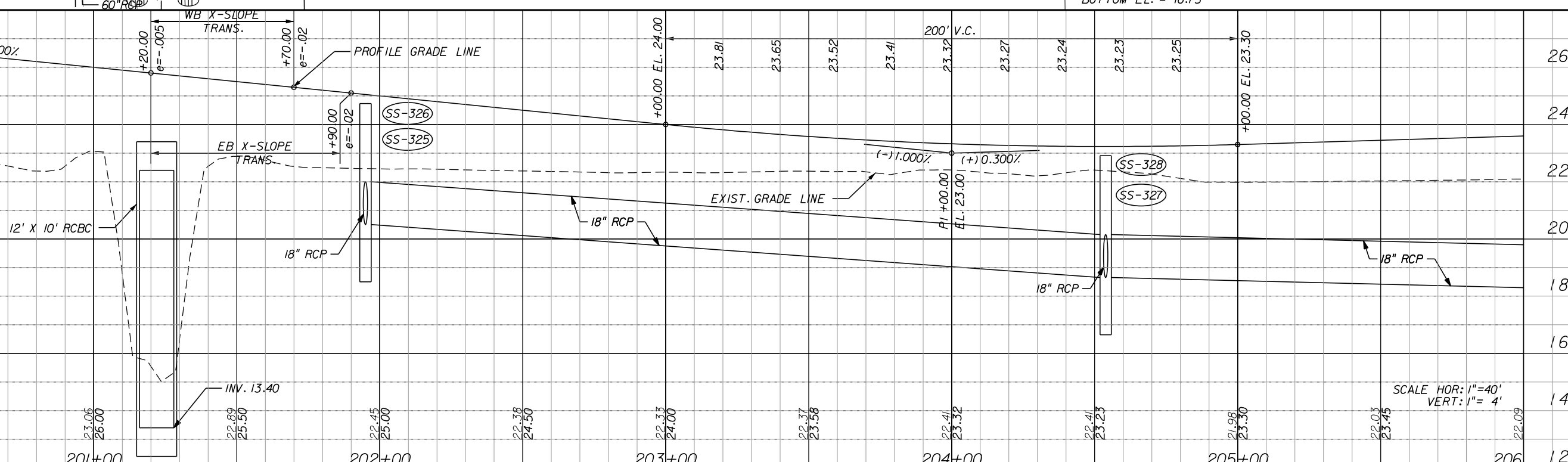
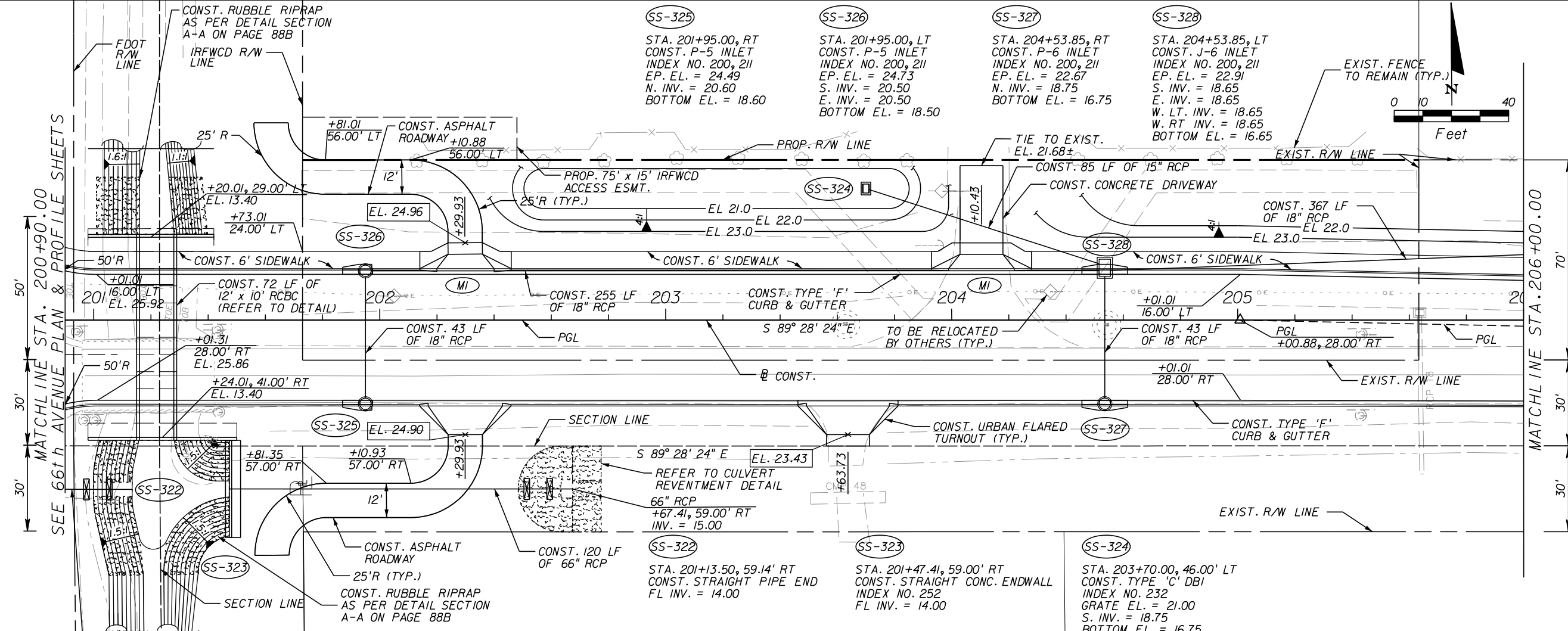
REVISIONS			
DESCRIPTION	DATE	BY	DESCRIPTION

Kimley»Horn
 BRIAN A. GOOD, P.E.
 P.E. LICENSE NUMBER 56939
 445 24th STREET, SUITE 200
 VERO BEACH, FL 32960
 (772) 794-4100
 CERTIFICATE OF AUTHORIZATION# 00000696

**INDIAN RIVER COUNTY
 BOARD OF COUNTY COMMISSIONERS**
 66th AVENUE ROADWAY WIDENING -
 PHASE IB 49th STREET TO 69th STREET

**69th STREET
 PLAN & PROFILE**

SHEET NO. 64



REVISIONS			
DESCRIPTION	DATE	BY	DESCRIPTION

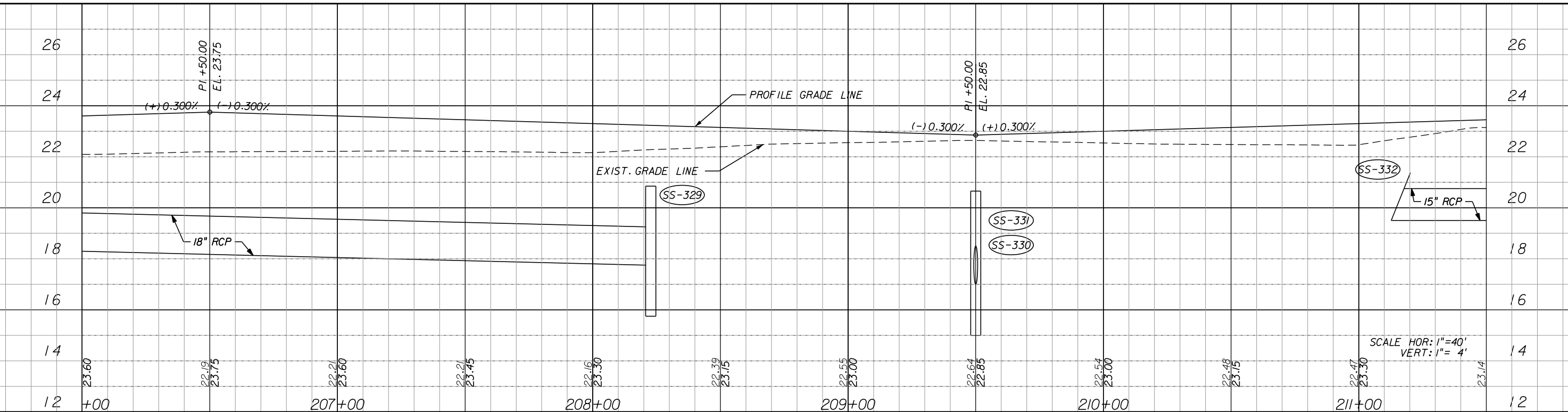
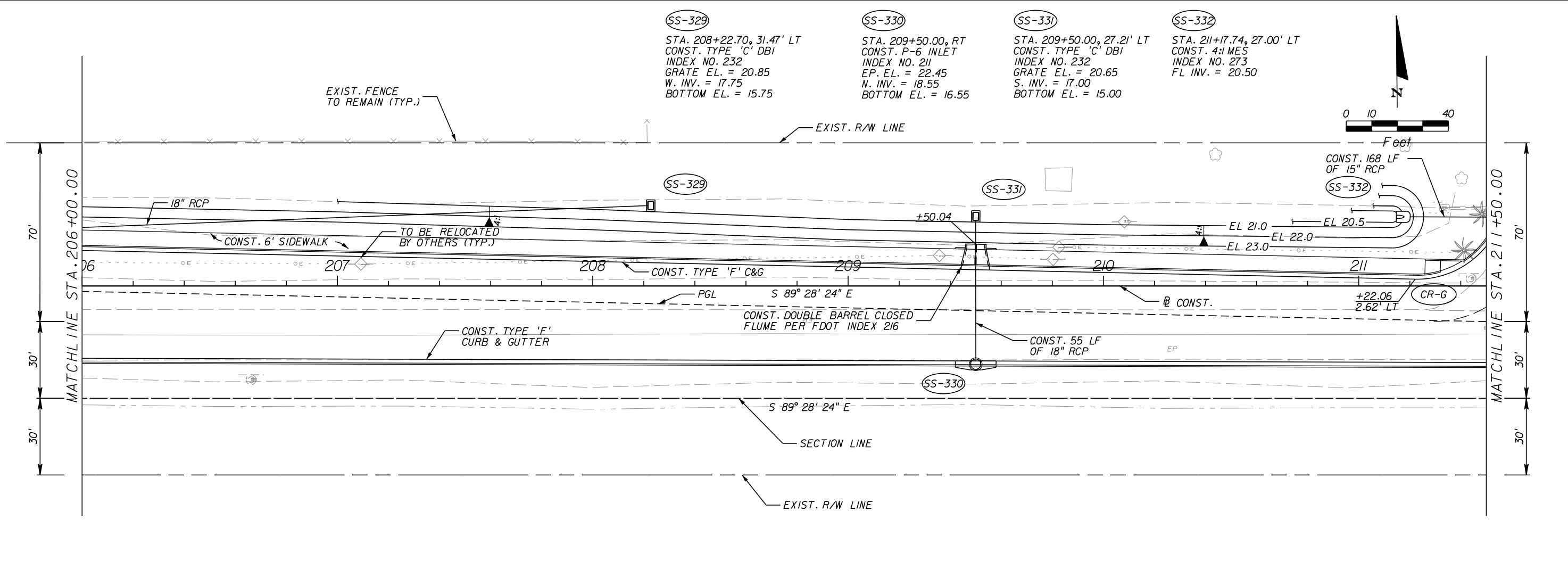
Kimley»Horn
 BRIAN A. GOOD, P.E.
 P.E. LICENSE NUMBER 56939
 445 24th STREET, SUITE 200
 VERO BEACH, FL 32960
 (772) 794-4100
 CERTIFICATE OF AUTHORIZATION# 00000696

**INDIAN RIVER COUNTY
 BOARD OF COUNTY COMMISSIONERS**
**66th AVENUE ROADWAY WIDENING -
 PHASE IB 49th STREET TO 69th STREET**

**69th STREET
 PLAN & PROFILE**

SHEET NO. 66

THE OFFICIAL RECORD OF THIS SHEET IS THE ELECTRONIC FILE DIGITALLY SIGNED AND SEALED UNDER RULE 61G15-23.004, F.A.C. I.R.C.O. Proj. No. 1505



REVISIONS			
NO.	DESCRIPTION	DATE	BY

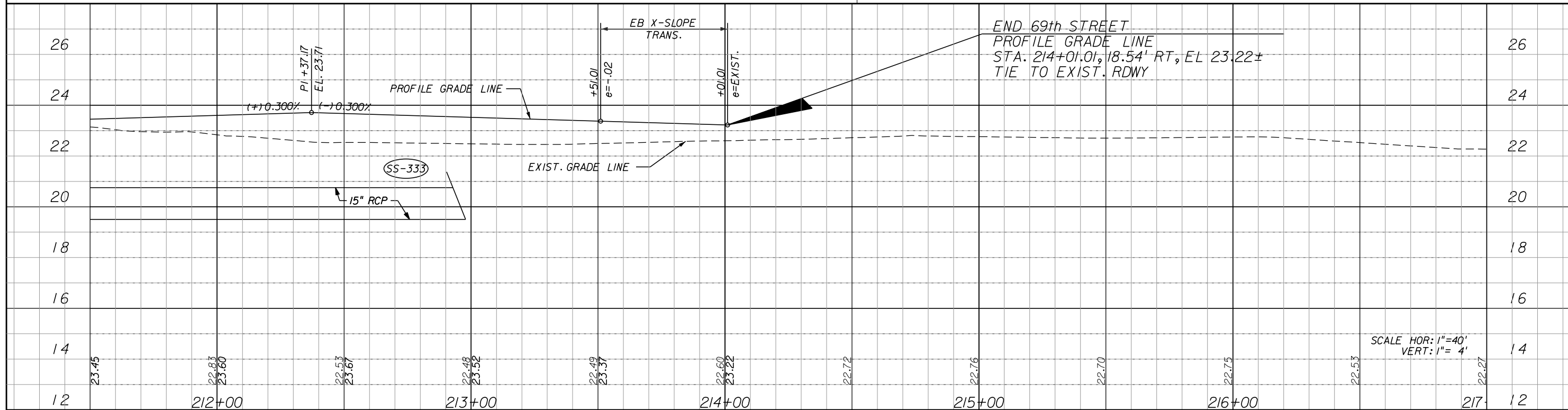
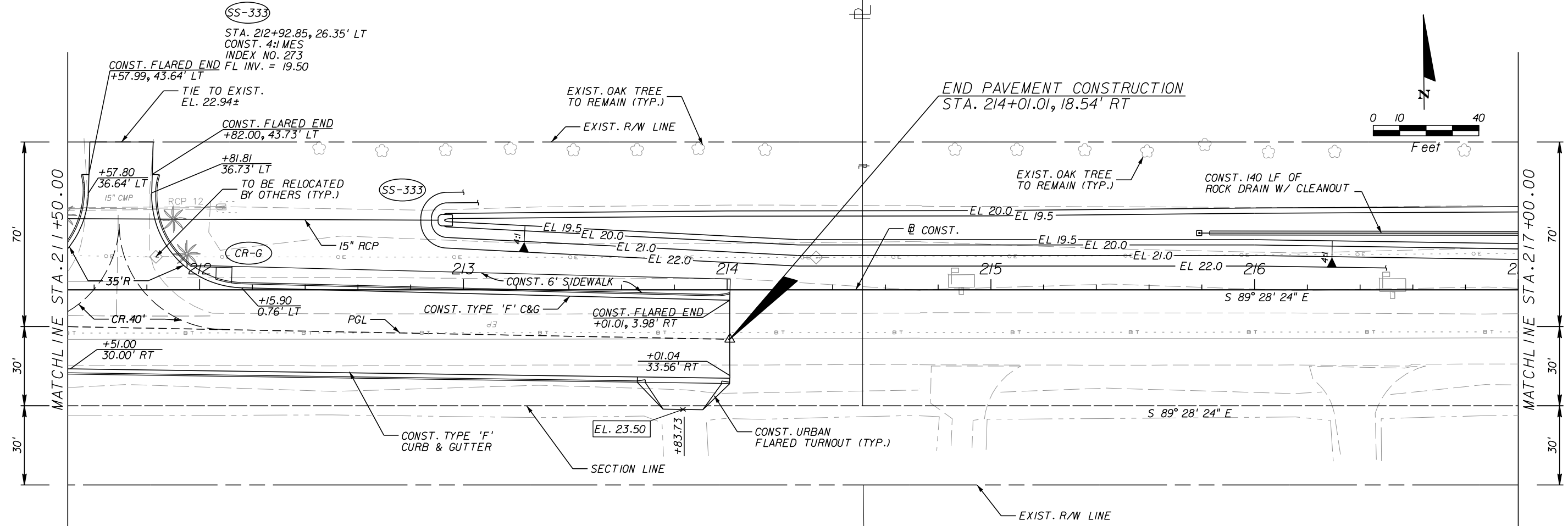
Kimley»Horn
 BRIAN A. GOOD, P.E.
 P.E. LICENSE NUMBER 56939
 445 24th STREET, SUITE 200
 VERO BEACH, FL 32960
 (772) 794-4100
 CERTIFICATE OF AUTHORIZATION# 00000696

**INDIAN RIVER COUNTY
 BOARD OF COUNTY COMMISSIONERS**
**66th AVENUE ROADWAY WIDENING -
 PHASE IB 49th STREET TO 69th STREET**

**69th STREET
 PLAN & PROFILE**

SHEET NO. 67

THE OFFICIAL RECORD OF THIS SHEET IS THE ELECTRONIC FILE DIGITALLY SIGNED AND SEALED UNDER RULE 61G15-23.004, F.A.C. I.R.C.O. Proj. No. 1505



REVISIONS			
DESCRIPTION	DATE	BY	DESCRIPTION

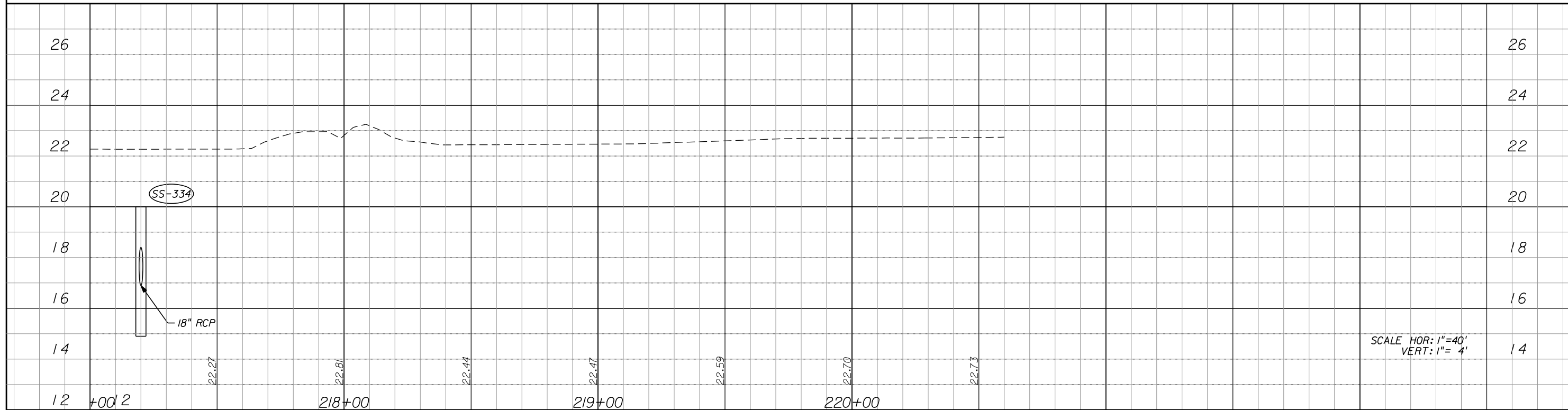
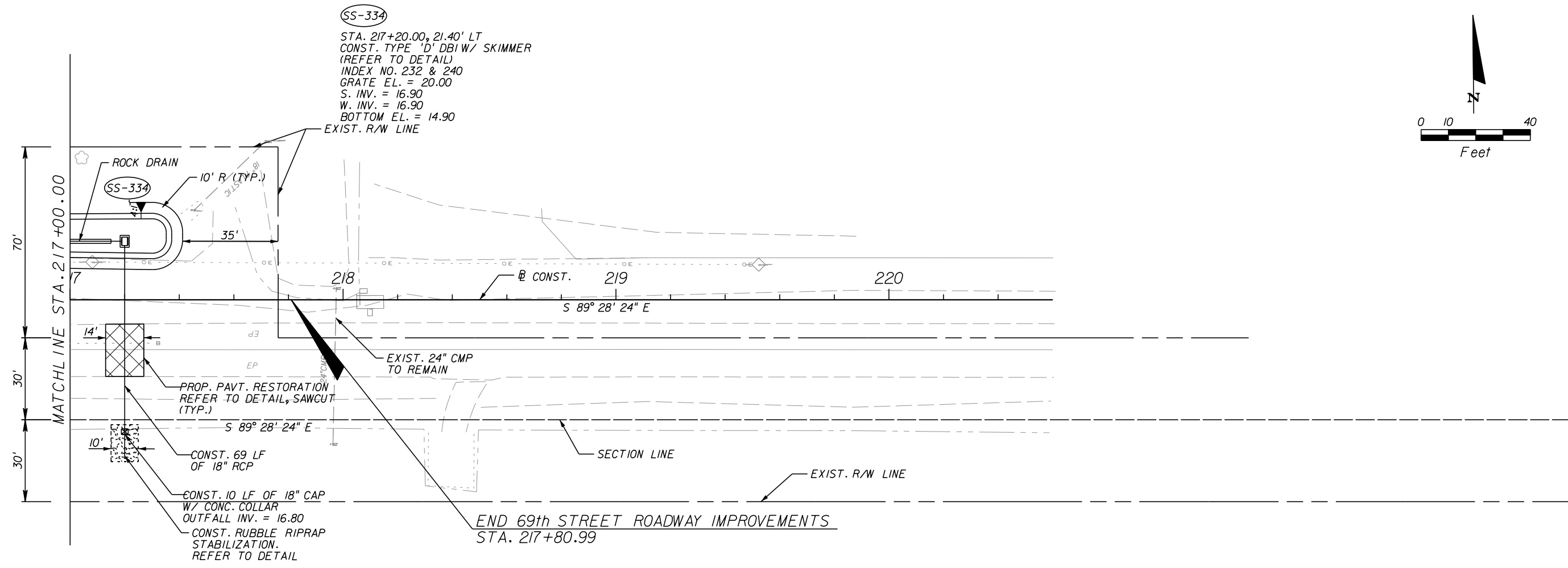
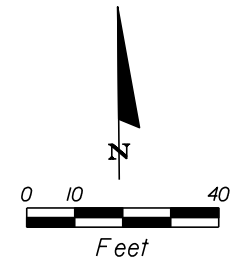
Kimley»Horn
 BRIAN A. GOOD, P.E.
 P.E. LICENSE NUMBER 56939
 445 24th STREET, SUITE 200
 VERO BEACH, FL 32960
 (772) 794-4100
 CERTIFICATE OF AUTHORIZATION# 00000696

**INDIAN RIVER COUNTY
 BOARD OF COUNTY COMMISSIONERS**
**66th AVENUE ROADWAY WIDENING -
 PHASE IB 49th STREET TO 69th STREET**

**69th STREET
 PLAN & PROFILE**

SHEET NO.
 68

THE OFFICIAL RECORD OF THIS SHEET IS THE ELECTRONIC FILE DIGITALLY SIGNED AND SEALED UNDER RULE 61G15-23.004, F.A.C. I.R.CO. Proj. No. 1505



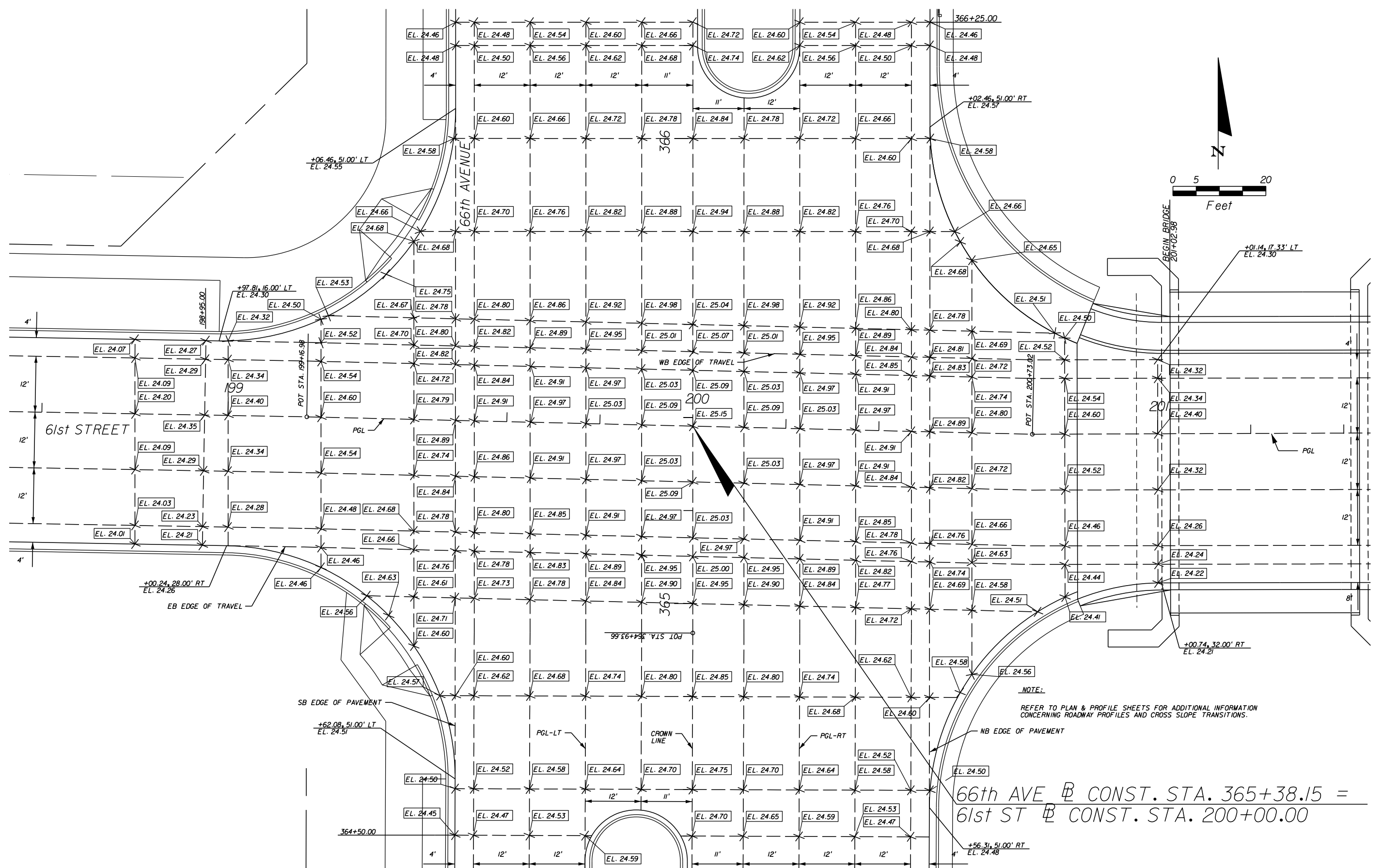
REVISIONS			
DESCRIPTION	DATE	BY	DESCRIPTION

Kimley»Horn
 BRIAN A. GOOD, P.E.
 P.E. LICENSE NUMBER 56939
 445 24th STREET, SUITE 200
 VERO BEACH, FL 32960
 (772) 794-4100
 CERTIFICATE OF AUTHORIZATION# 00000696

**INDIAN RIVER COUNTY
 BOARD OF COUNTY COMMISSIONERS**
**66th AVENUE ROADWAY WIDENING -
 PHASE IB 49th STREET TO 69th STREET**

**69th STREET
 PLAN & PROFILE**

SHEET NO.
 69



66th AVE @ CONST. STA. 365+38.15 =
61st ST @ CONST. STA. 200+00.00

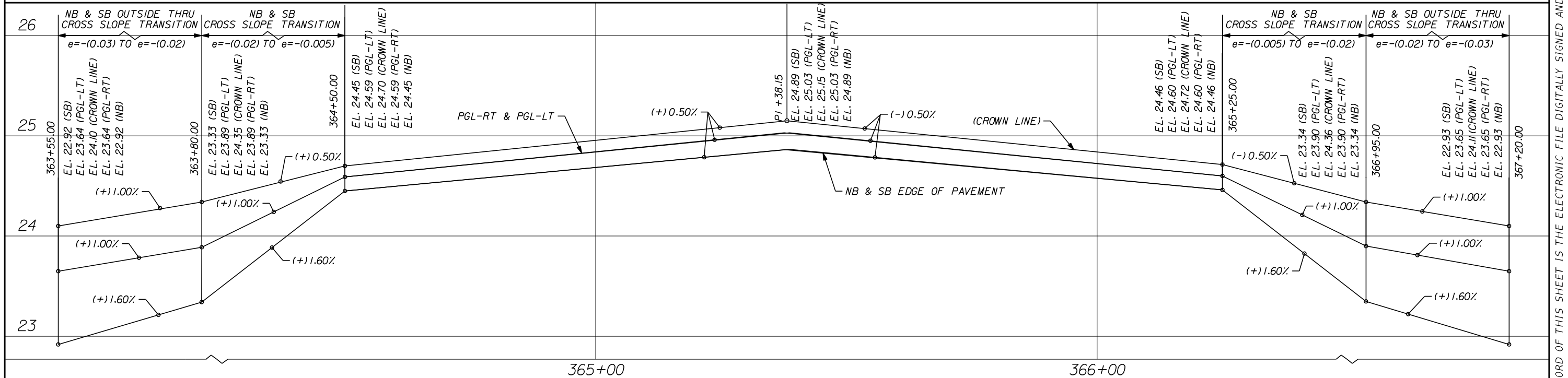
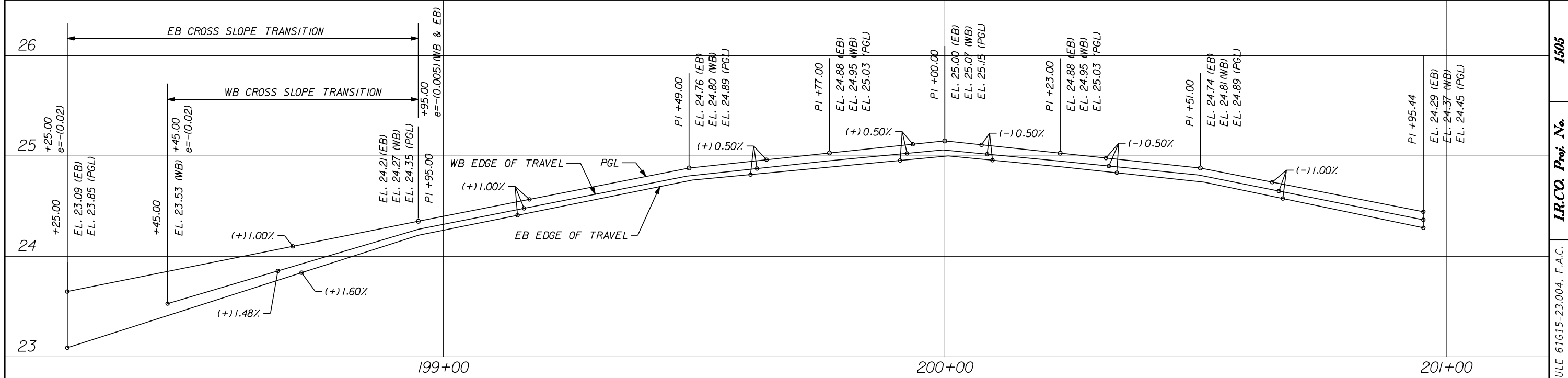
REVISIONS				
NO.	DESCRIPTION	DATE	BY	DESCRIPTION

Kimley»Horn
 BRIAN A. GOOD, P.E.
 P.E. LICENSE NUMBER 56939
 445 24th STREET, SUITE 200
 VERO BEACH, FL 32960
 (772) 794-4100
 CERTIFICATE OF AUTHORIZATION# 00000696

**INDIAN RIVER COUNTY
 BOARD OF COUNTY COMMISSIONERS**
**66th AVENUE ROADWAY WIDENING -
 PHASE IB 49th STREET TO 69th STREET**

**66th AVENUE / 61st STREET
 INTERSECTION PLATEAU**

SHEET NO.
70



REVISIONS			
DESCRIPTION	DATE	BY	DESCRIPTION

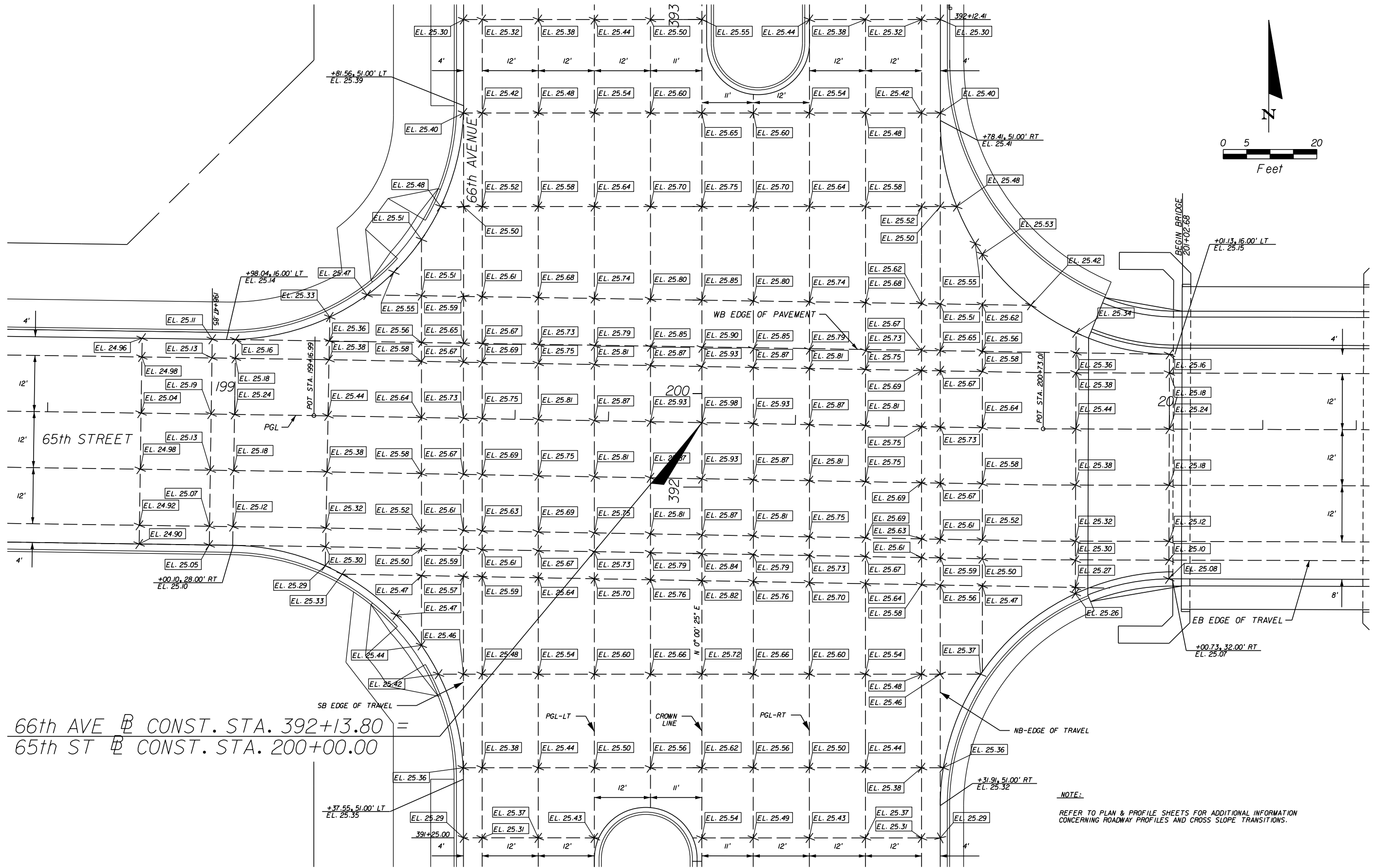
Kimley»Horn
 BRIAN A. GOOD, P.E.
 P.E. LICENSE NUMBER 56939
 445 24th STREET, SUITE 200
 VERO BEACH, FL 32960
 (772) 794-4100
 CERTIFICATE OF AUTHORIZATION# 00000696

INDIAN RIVER COUNTY BOARD OF COUNTY COMMISSIONERS
66th AVENUE ROADWAY WIDENING - PHASE IB 49th STREET TO 69th STREET

66th AVENUE / 61st STREET INTERSECTION PLATEAU PROFILES

SHEET NO. 71

THE OFFICIAL RECORD OF THIS SHEET IS THE ELECTRONIC FILE DIGITALLY SIGNED AND SEALED UNDER RULE 61G15-23.004, F.A.C.



NOTE:
 REFER TO PLAN & PROFILE SHEETS FOR ADDITIONAL INFORMATION
 CONCERNING ROADWAY PROFILES AND CROSS SLOPE TRANSITIONS.

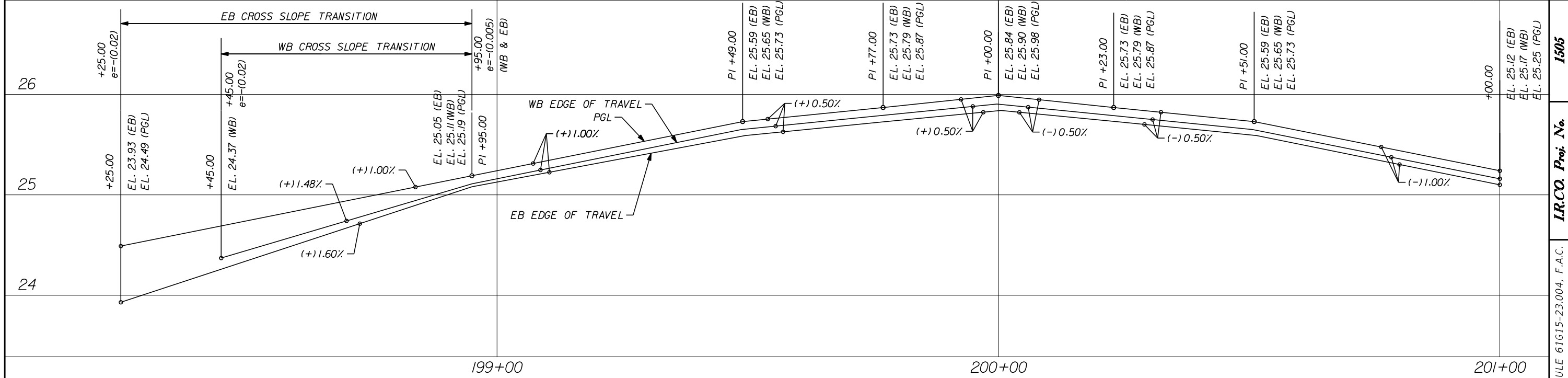
REVISIONS			
DESCRIPTION	DATE	BY	DESCRIPTION

Kimley»Horn
 BRIAN A. GOOD, P.E.
 P.E. LICENSE NUMBER 56939
 445 24th STREET, SUITE 200
 VERO BEACH, FL 32960
 (772) 794-4100
 CERTIFICATE OF AUTHORIZATION# 00000696

**INDIAN RIVER COUNTY
 BOARD OF COUNTY COMMISSIONERS**
**66th AVENUE ROADWAY WIDENING -
 PHASE IB 49th STREET TO 69th STREET**

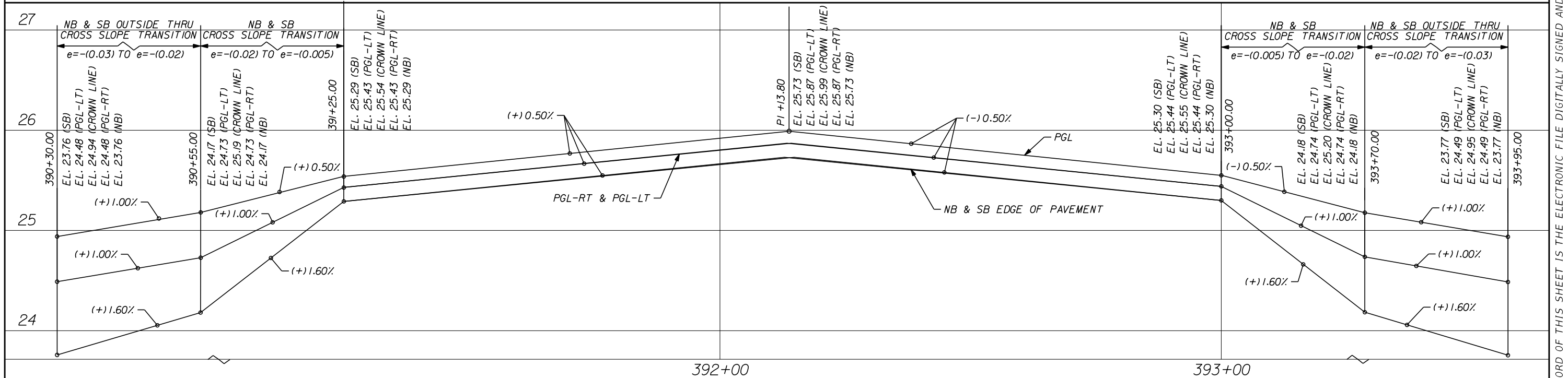
**66th AVENUE / 65th STREET
 INTERSECTION PLATEAU**

SHEET NO. 72



65th STREET

SCALE: HOR: 1"=20'
VER: 1"=1'



66th AVENUE

SCALE: HOR: 1"=20'
VER: 1"=1'

REVISIONS			
DESCRIPTION	DATE	BY	DESCRIPTION

Kimley»Horn
 BRIAN A. GOOD, P.E.
 P.E. LICENSE NUMBER 56939
 445 24th STREET, SUITE 200
 VERO BEACH, FL 32960
 (772) 794-4100
 CERTIFICATE OF AUTHORIZATION# 00000696

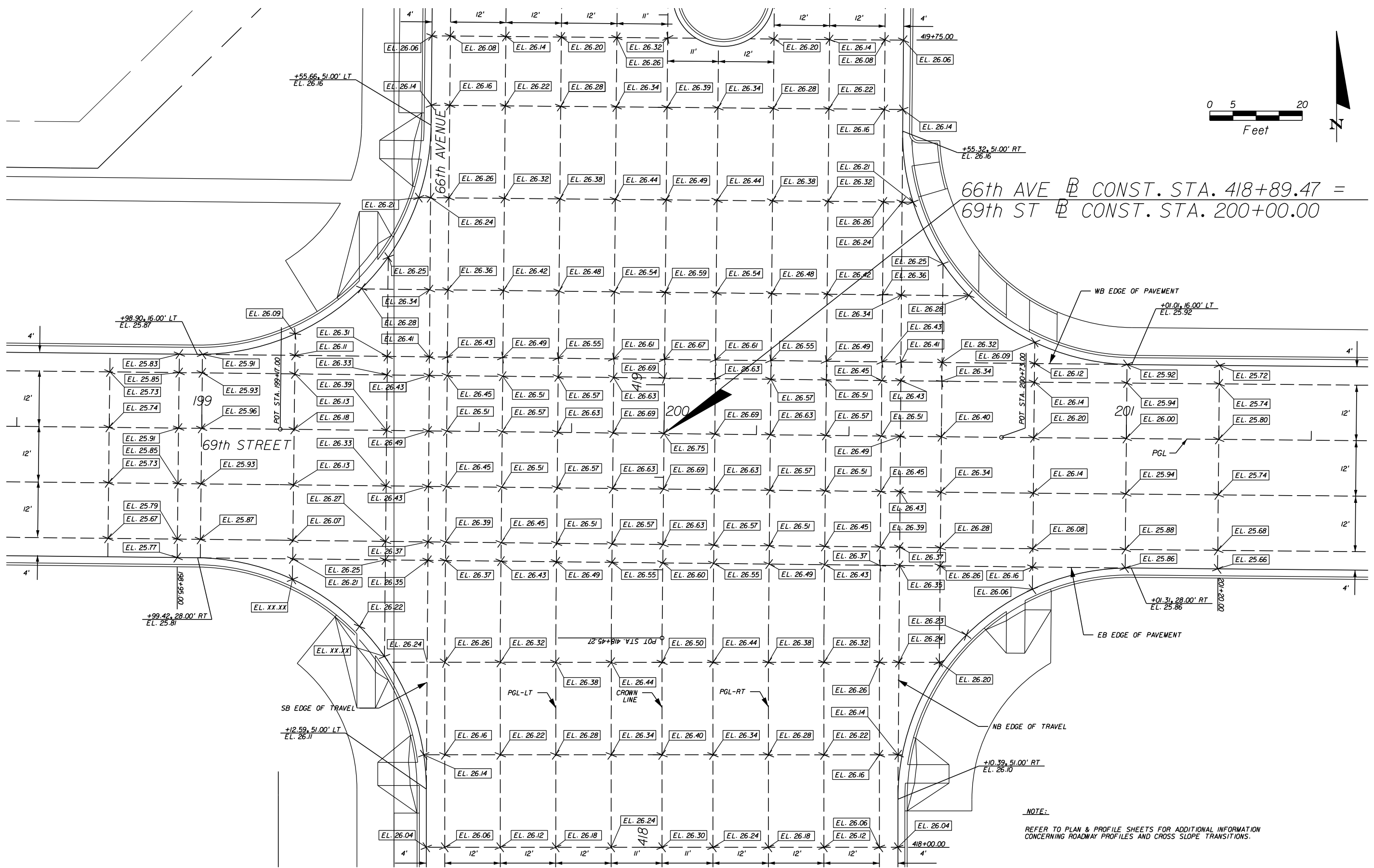
**INDIAN RIVER COUNTY
 BOARD OF COUNTY COMMISSIONERS**
**66th AVENUE ROADWAY WIDENING -
 PHASE IB 49th STREET TO 69th STREET**

**66th AVENUE / 65th STREET
 INTERSECTION
 PLATEAU PROFILES**

SHEET NO.	73
-----------	----

THE OFFICIAL RECORD OF THIS SHEET IS THE ELECTRONIC FILE DIGITALLY SIGNED AND SEALED UNDER RULE 61G15-23.004, F.A.C.

IRCO Proj. No. 1505



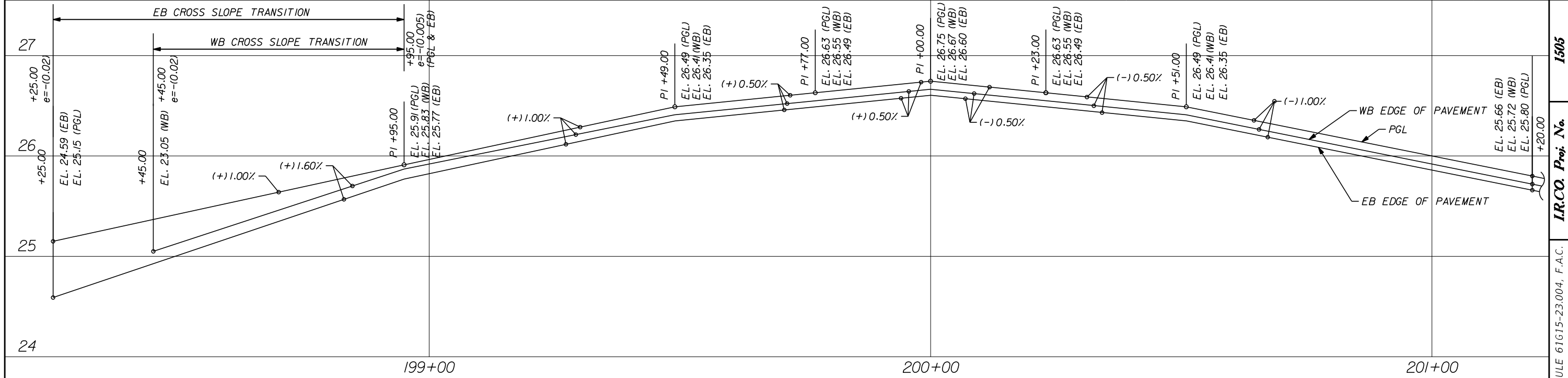
REVISIONS			
DESCRIPTION	DATE	BY	DESCRIPTION

Kimley»Horn
 BRIAN A. GOOD, P.E.
 P.E. LICENSE NUMBER 56939
 445 24th STREET, SUITE 200
 VERO BEACH, FL 32960
 (772) 794-4100
 CERTIFICATE OF AUTHORIZATION# 00000696

INDIAN RIVER COUNTY
BOARD OF COUNTY COMMISSIONERS
66th AVENUE ROADWAY WIDENING -
PHASE IB 49th STREET TO 69th STREET

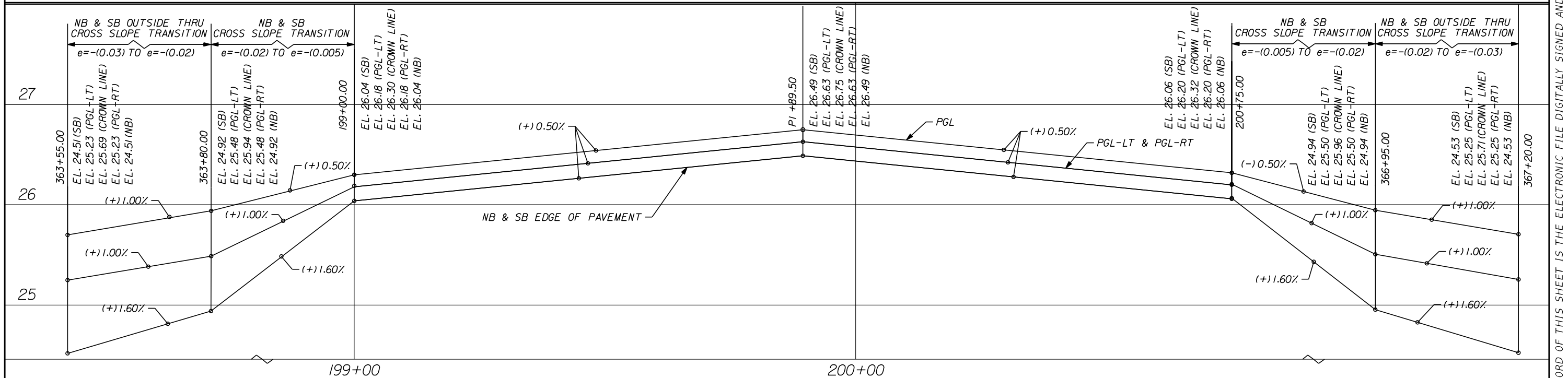
66th AVENUE / 69th STREET
INTERSECTION PLATEAU

SHEET NO.
 74



69th STREET

SCALE: HOR: 1"=20'
VER: 1"=1'



66th AVENUE

SCALE: HOR: 1"=20'
VER: 1"=1'

REVISIONS			
NO.	DESCRIPTION	DATE	BY

Kimley»Horn
BRIAN A. GOOD, P.E.
 P.E. LICENSE NUMBER 56939
 445 24th STREET, SUITE 200
 VERO BEACH, FL 32960
 (772) 794-4100
 CERTIFICATE OF AUTHORIZATION# 00000696

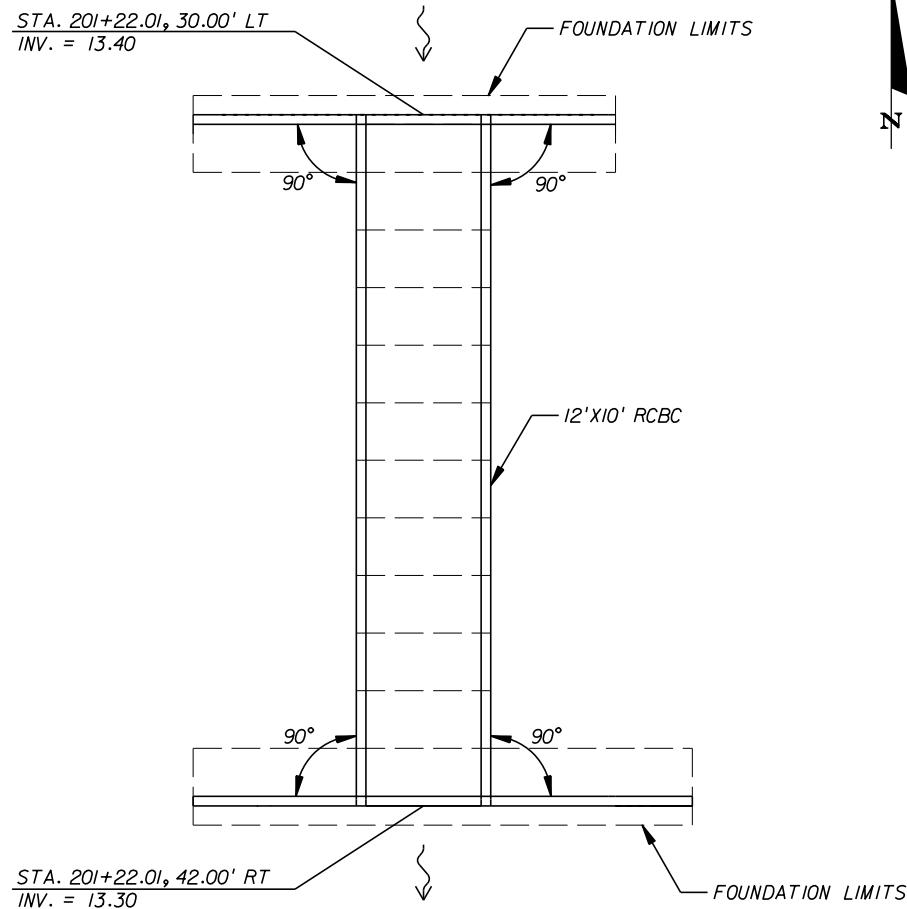
**INDIAN RIVER COUNTY
 BOARD OF COUNTY COMMISSIONERS**
**66th AVENUE ROADWAY WIDENING -
 PHASE IB 49th STREET TO 69th STREET**

**66th AVENUE / 69th STREET
 INTERSECTION
 PLATEAU PROFILES**

SHEET NO.	75
-----------	----

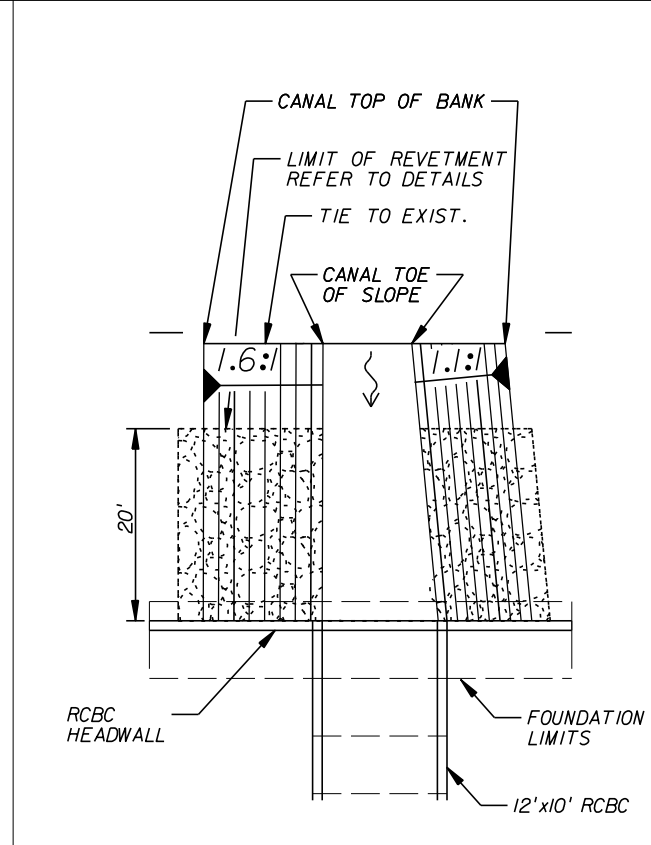
THE OFFICIAL RECORD OF THIS SHEET IS THE ELECTRONIC FILE DIGITALLY SIGNED AND SEALED UNDER RULE 61G15-23.004, F.A.C.

IRCO Proj. No. 1505

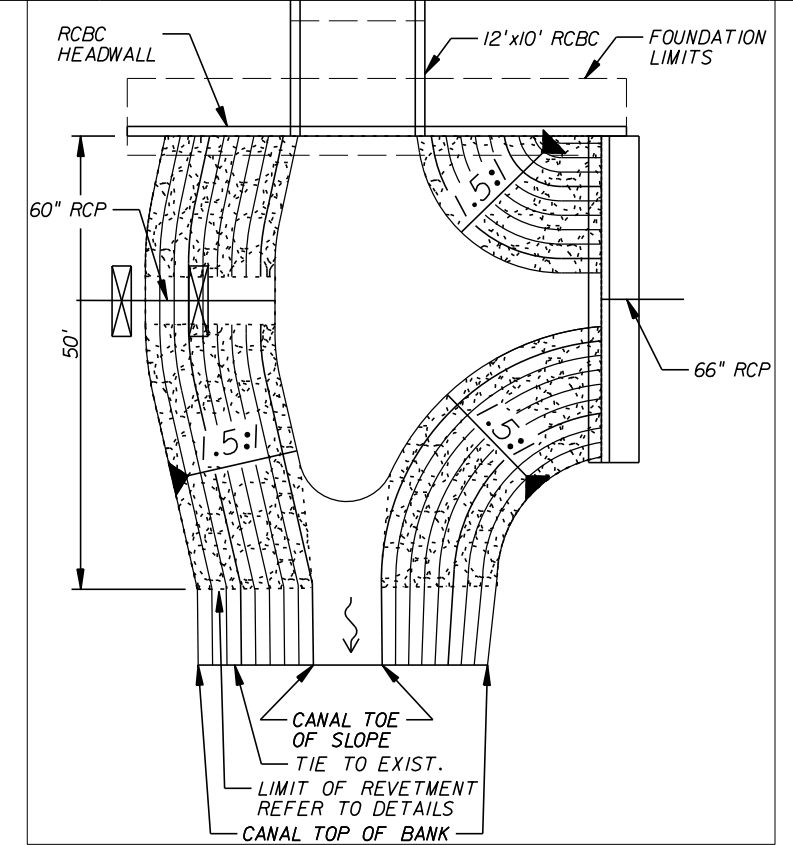


PLAN VIEW
N.T.S.

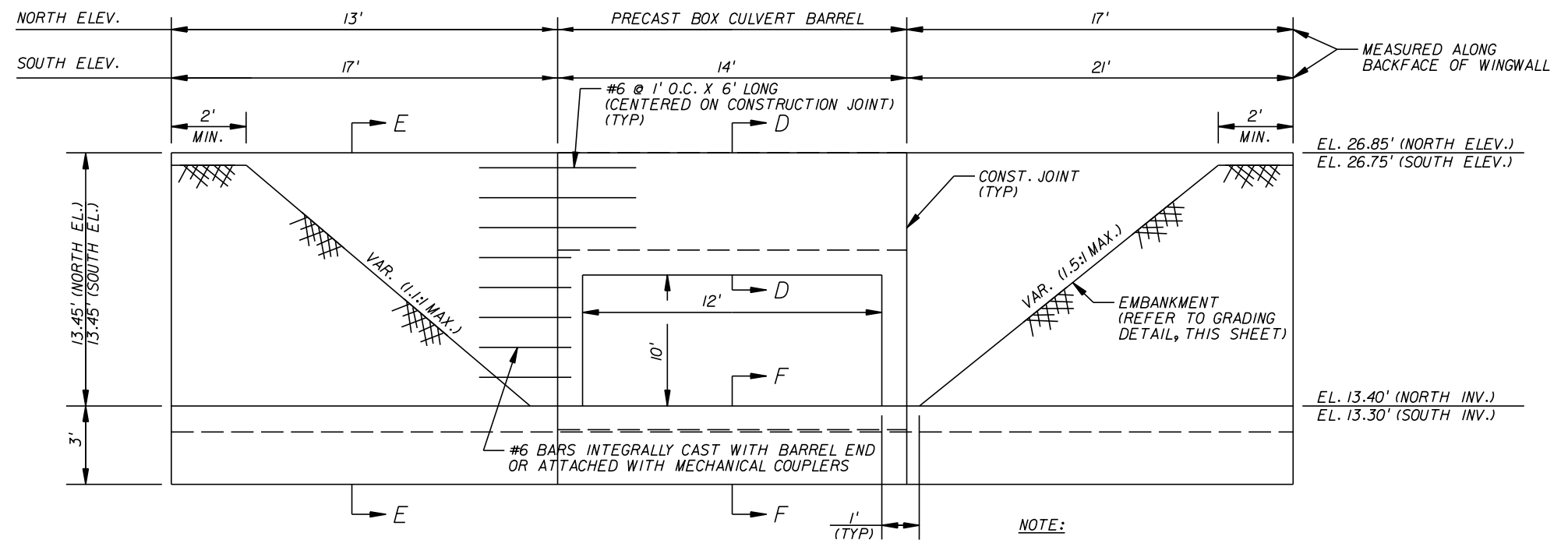
- NOTES:**
1. DRAINAGE OUTFALL CONNECTIONS SHALL BE CONSTRUCTED IN THE CENTER OF A PRE-CAST BOX CULVERT SEGMENT.
 2. ALL PRE-CAST BOX CULVERT JOINT CONNECTIONS SHALL BE WRAPPED WITH FILTER FABRIC AS PER FDOT INDEX 291.



NORTH HEADWALL GRADING PLAN
N.T.S.



SOUTH HEADWALL GRADING PLAN
N.T.S.



END ELEVATION
N.T.S.

- NOTE:**
- INSTALL #6 BARS IN ACCORDANCE WITH REQUIREMENTS FOR BARS "N" IN FDOT STD. INDEX 290. CAST INTEGRALLY WITH BOX CULVERT BARREL.

REVISIONS				
NO.	DESCRIPTION	DATE	BY	DESCRIPTION

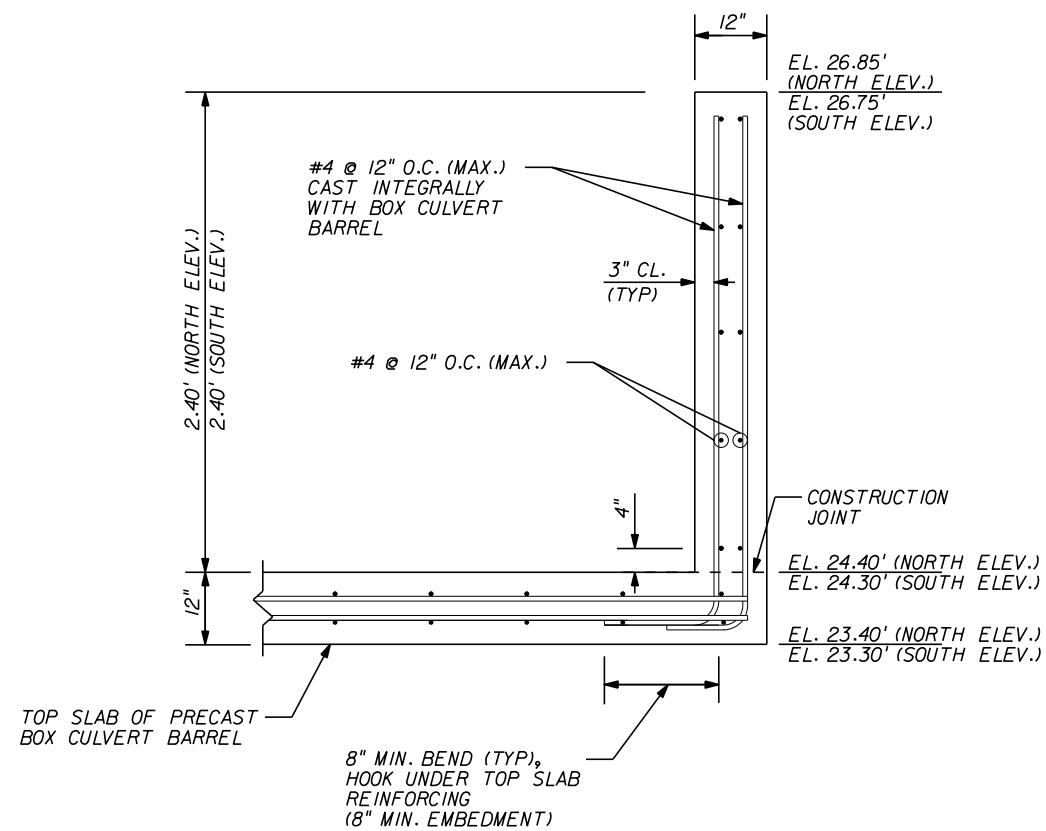
Kimley»Horn
 BRIAN A. GOOD, P.E.
 P.E. LICENSE NUMBER 56939
 445 24th STREET, SUITE 200
 VERO BEACH, FL 32960
 (772) 794-4100
 CERTIFICATE OF AUTHORIZATION# 00000696

**INDIAN RIVER COUNTY
 BOARD OF COUNTY COMMISSIONERS**
**66th AVENUE ROADWAY WIDENING -
 PHASE IB 49th STREET TO 69th STREET**

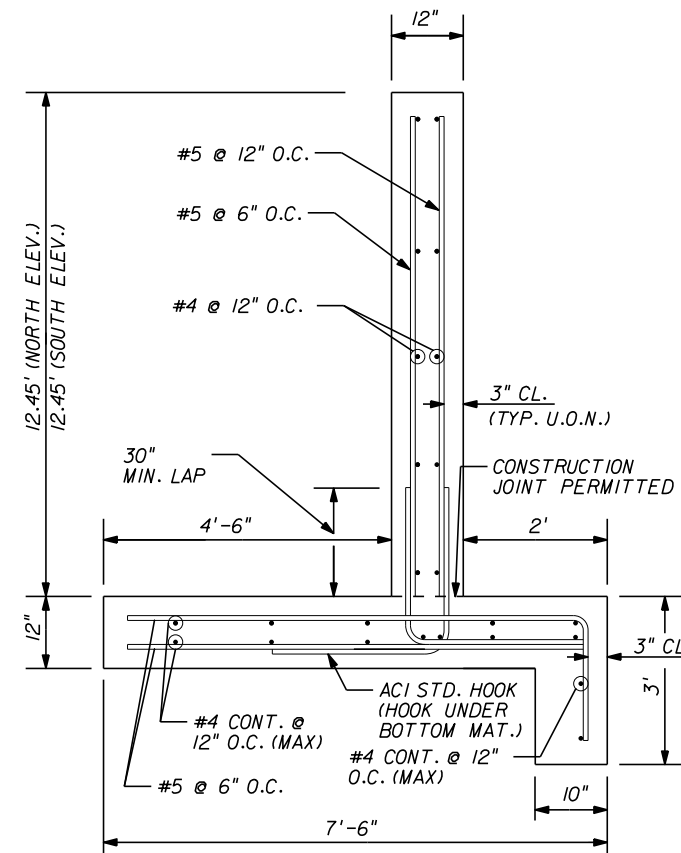
**69th STREET BOX CULVERT
 DETAILS**

SHEET NO.
76

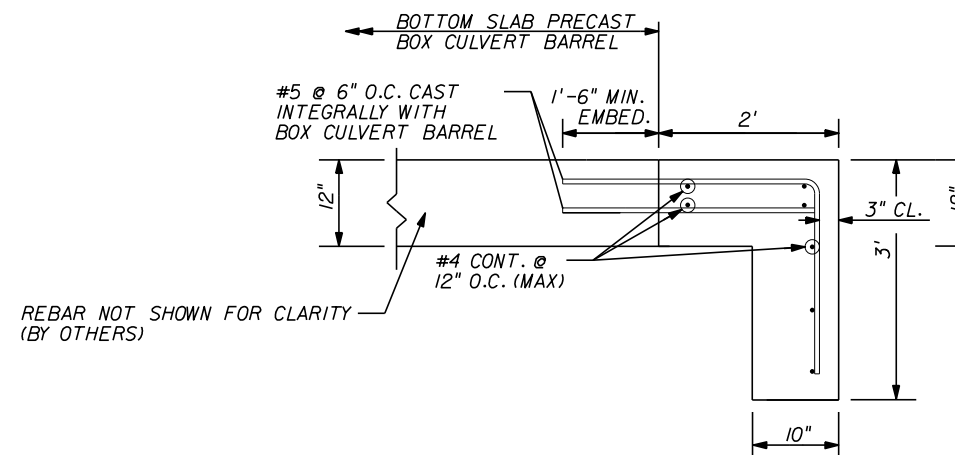
THE OFFICIAL RECORD OF THIS SHEET IS THE ELECTRONIC FILE DIGITALLY SIGNED AND SEALED UNDER RULE 61G15-23.004, F.A.C. I.R.C.O. Proj. No. 1505



**SECTION D-D
HEADWALL DETAIL**
N.T.S.



**SECTION E-E
WINGWALL DETAIL**
N.T.S.



**SECTION F-F
SPILLWAY DETAIL**
N.T.S.

NOTES:

1. PRECAST CONCRETE BOX CULVERT SHALL BE CONSTRUCTED IN ACCORDANCE WITH FDOT INDEX 292 WITH 3" CONCRETE COVER.
2. ALL EXPOSED EDGES AND CORNERS SHALL BE 3/4" CHAMFERED.

REVISIONS				
NO.	DESCRIPTION	DATE	BY	DESCRIPTION

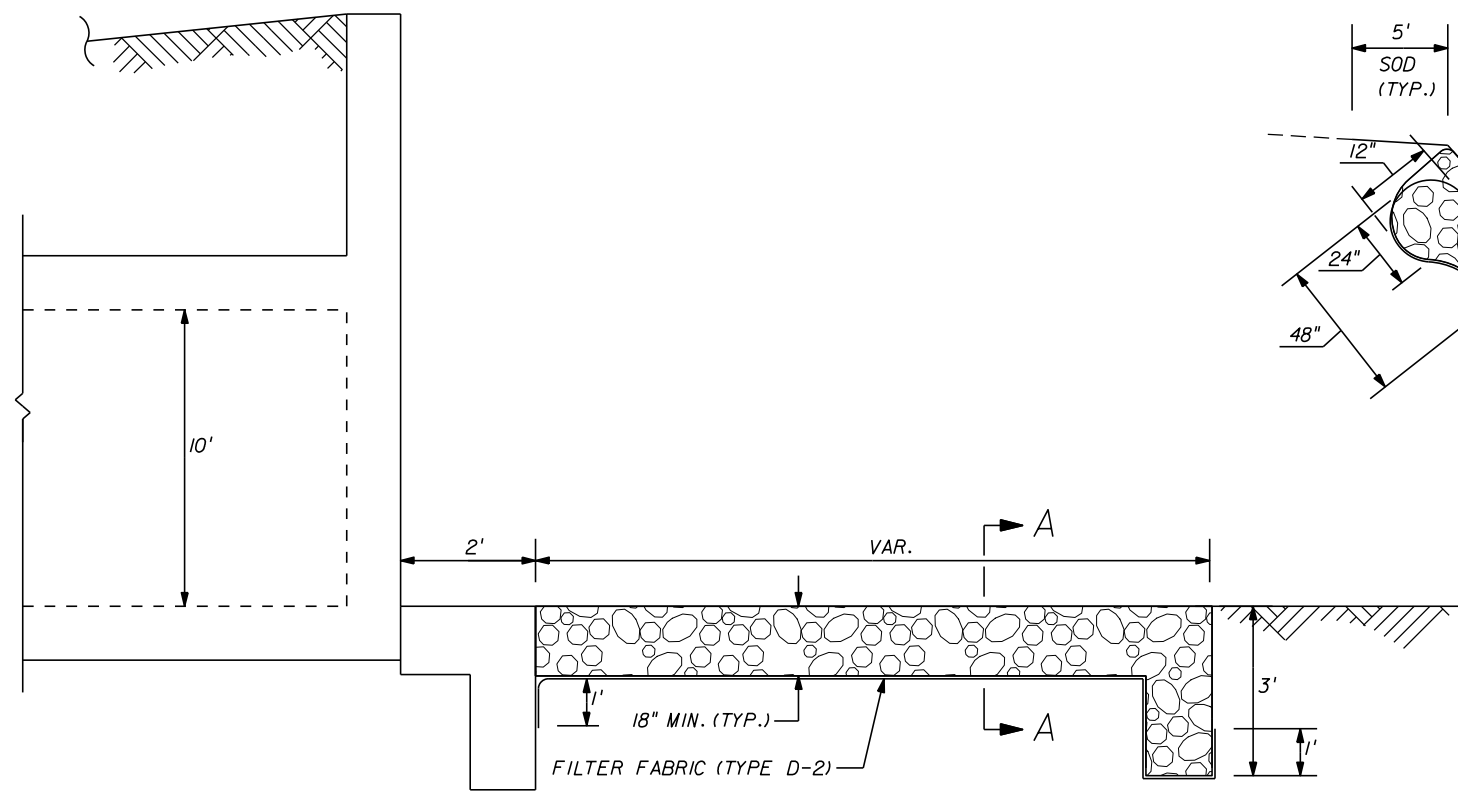
Kimley»Horn
 BRIAN A. GOOD, P.E.
 P.E. LICENSE NUMBER 56939
 445 24th STREET, SUITE 200
 VERO BEACH, FL 32960
 (772) 794-4100
 CERTIFICATE OF AUTHORIZATION# 00000696

**INDIAN RIVER COUNTY
BOARD OF COUNTY COMMISSIONERS**
**66th AVENUE ROADWAY WIDENING -
PHASE IB 49th STREET TO 69th STREET**

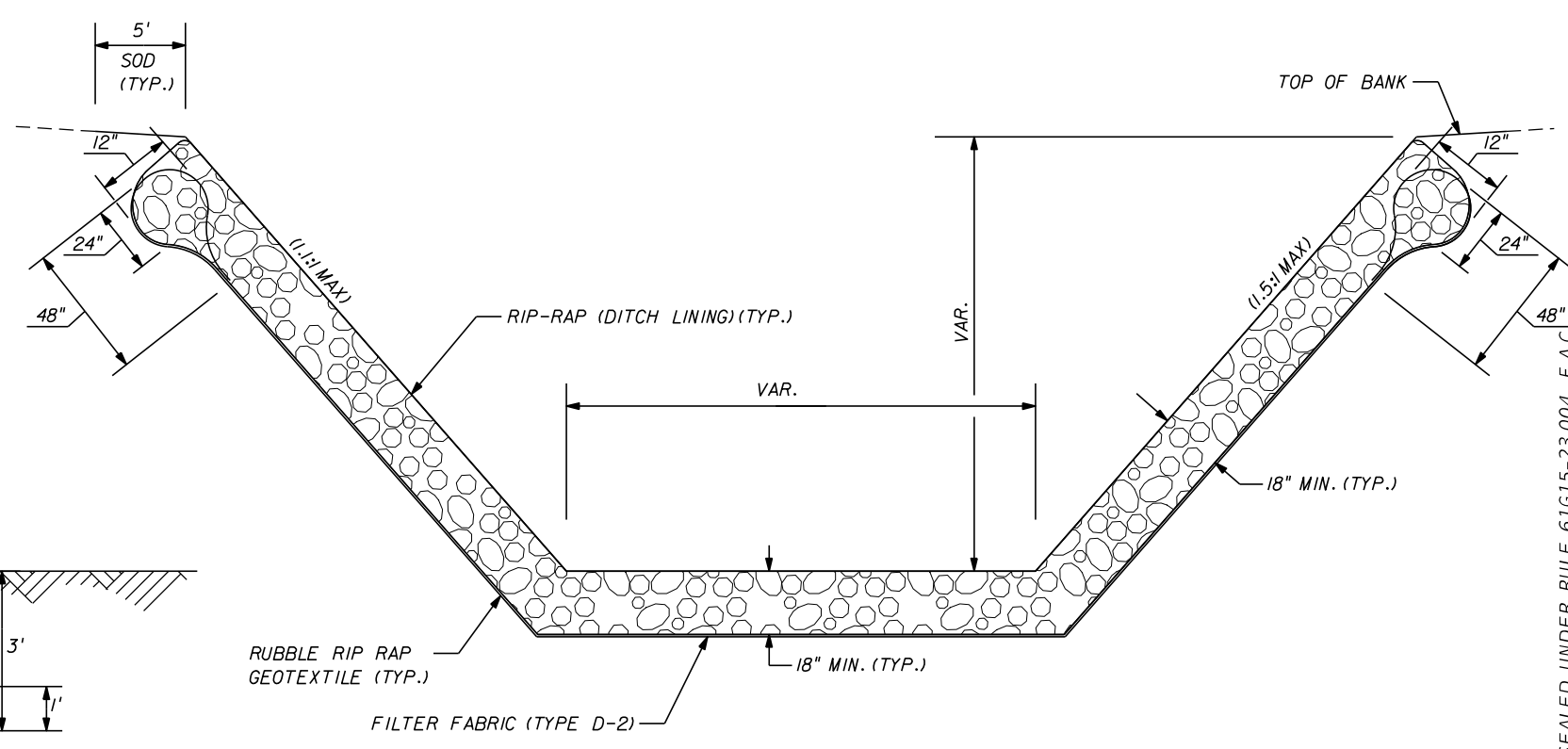
**69th STREET BOX CULVERT
DETAILS**

SHEET NO.
77

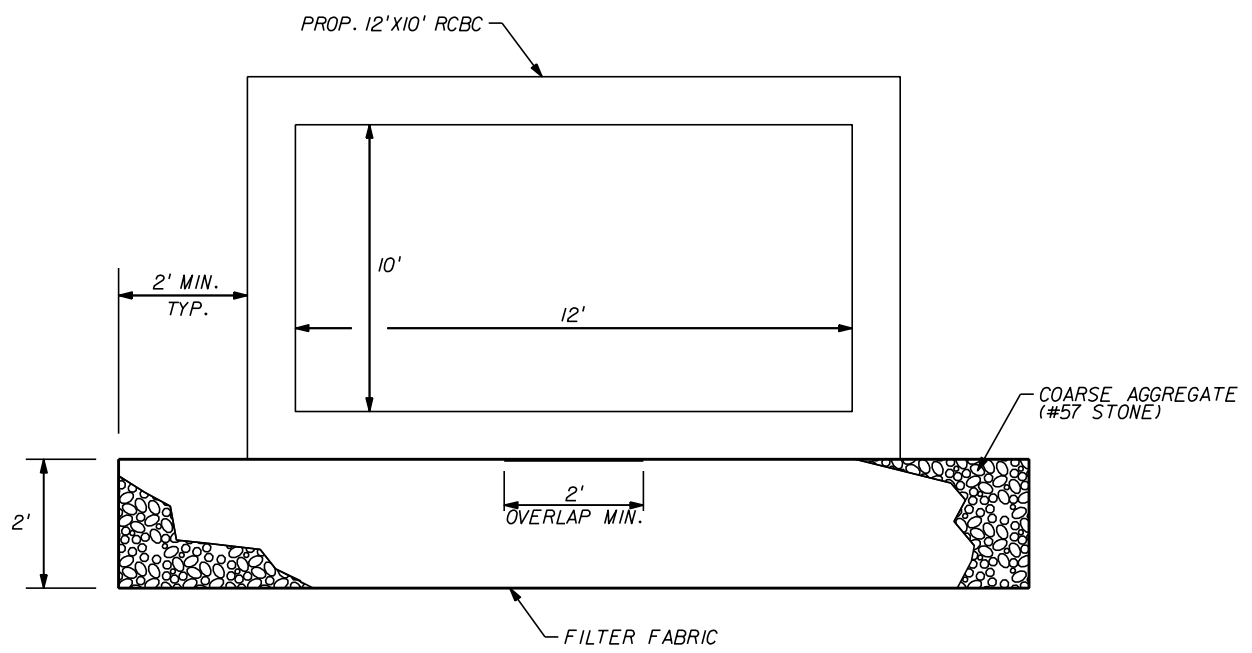
THE OFFICIAL RECORD OF THIS SHEET IS THE ELECTRONIC FILE DIGITALLY SIGNED AND SEALED UNDER RULE 61G15-23.004, F.A.C. PROJ. NO. 1505



REVTMENT DETAIL
N.T.S.



REVTMENT CROSS SECTION A-A
N.T.S.



TYPICAL REINFORCED CONCRETE BOX CULVERT BEDDING DETAIL
N.T.S.

NOTES:

1. COST OF FILTER FABRIC TO BE INCLUDED IN THE CONTRACT UNIT PRICE FOR RIP-RAP.
2. RIP-RAP MATERIAL AND INSTALLATION SHALL BE IN ACCORDANCE WITH FDOT SECTION 530.

NOTES

1. THE FILTER FABRIC SHALL MEET THE SPECIFICATIONS FOR TYPE D-4 FABRIC, AS SPECIFIED IN FDOT INDEX NO. 199.
2. COST ASSOCIATED WITH EXCAVATION, FILTER FABRIC, AND COARSE AGGREGATE SHALL BE INCLUDED WITHIN UNIT PRICE FOR PRE-CAST CONCRETE BOX CULVERT.
3. BEDDING STONE SHALL BE PLACED ON FIRM UNYIELDING UNDISTURBED GROUND.

REVISIONS				
NO.	DESCRIPTION	DATE	BY	DESCRIPTION

Kimley»Horn
 BRIAN A. GOOD, P.E.
 P.E. LICENSE NUMBER 56939
 445 24th STREET, SUITE 200
 VERO BEACH, FL 32960
 (772) 794-4100
 CERTIFICATE OF AUTHORIZATION# 00000696

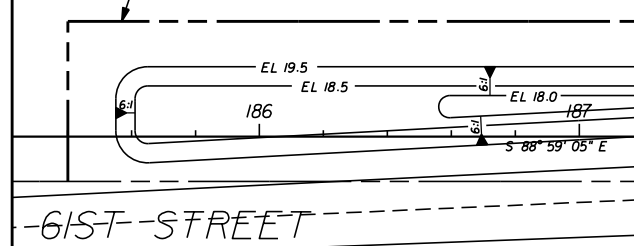
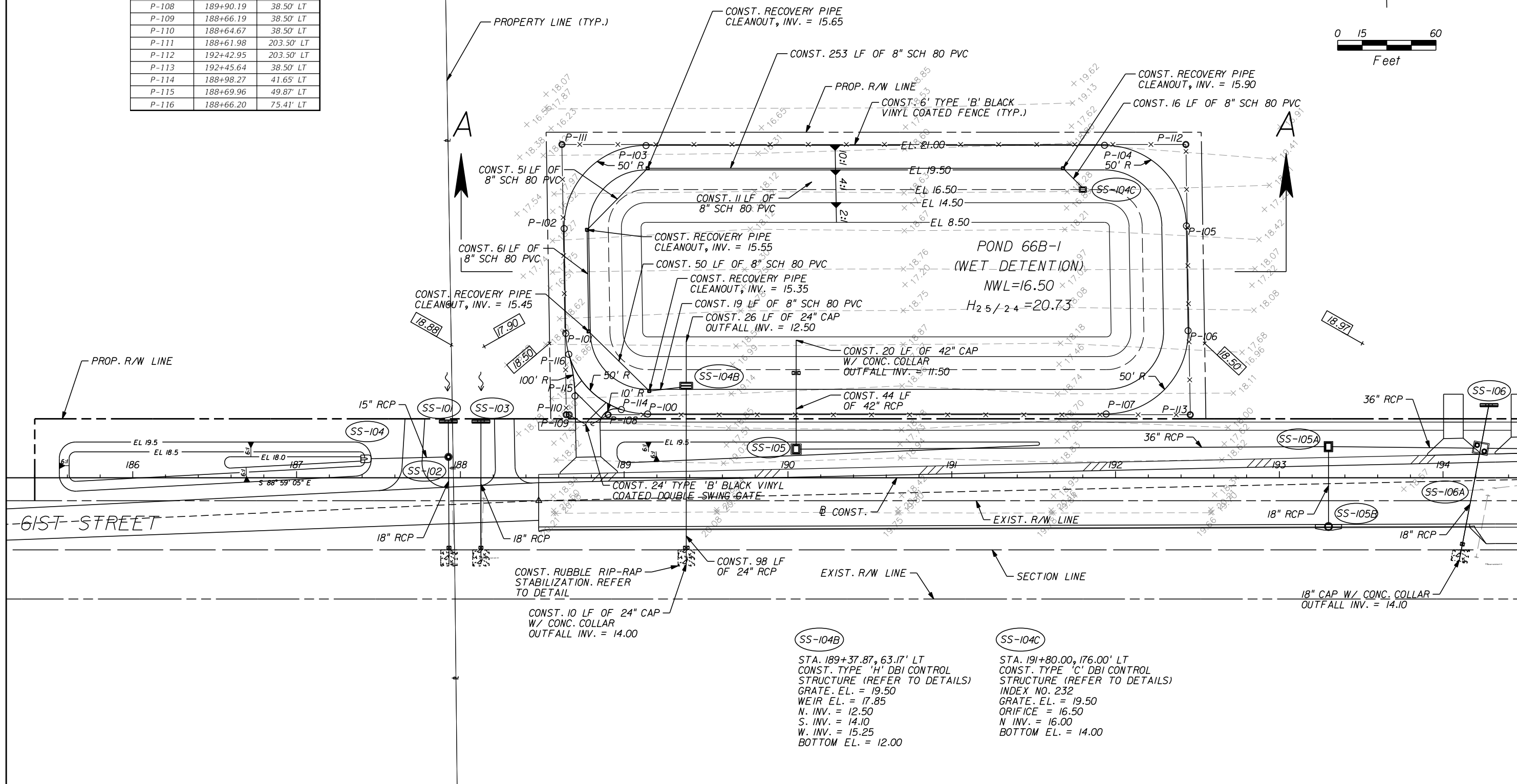
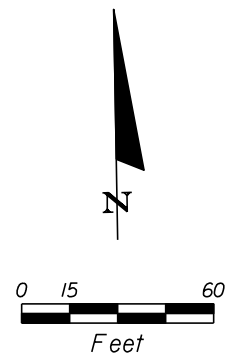
**INDIAN RIVER COUNTY
 BOARD OF COUNTY COMMISSIONERS**
**66th AVENUE ROADWAY WIDENING -
 PHASE IB 49th STREET TO 69th STREET**

**69th STREET BOX CULVERT
 DETAILS**

SHEET NO.
78

THE OFFICIAL RECORD OF THIS SHEET IS THE ELECTRONIC FILE DIGITALLY SIGNED AND SEALED UNDER RULE 61G15-23.004, F.A.C.

POND 66B-1 HORIZONTAL CONTROL POINTS		
POINT NUMBER	STATION	OFFSET
P-100	189+14.32	39.00' LT
P-101	188+64.33	88.18' LT
P-102	188+63.32	152.18' LT
P-103	189+13.31	203.00' LT
P-104	191+93.30	203.00' LT
P-105	192+43.29	153.82' LT
P-106	192+44.30	89.82' LT
P-107	191+94.31	39.00' LT
P-108	189+90.19	38.50' LT
P-109	188+66.19	38.50' LT
P-110	188+64.67	38.50' LT
P-111	188+61.98	203.50' LT
P-112	192+42.95	203.50' LT
P-113	192+45.64	38.50' LT
P-114	188+98.27	41.65' LT
P-115	188+69.96	49.87' LT
P-116	188+66.20	75.41' LT



SS-104B
 STA. 189+37.87, 63.17' LT
 CONST. TYPE 'H' DBI CONTROL
 STRUCTURE (REFER TO DETAILS)
 GRATE. EL. = 19.50
 WEIR EL. = 17.85
 N. INV. = 12.50
 S. INV. = 14.10
 W. INV. = 15.25
 BOTTOM EL. = 12.00

SS-104C
 STA. 191+80.00, 176.00' LT
 CONST. TYPE 'C' DBI CONTROL
 STRUCTURE (REFER TO DETAILS)
 INDEX NO. 232
 GRATE. EL. = 19.50
 ORIFICE = 16.50
 N INV. = 16.00
 BOTTOM EL. = 14.00

REVISIONS			
DESCRIPTION	DATE	BY	DESCRIPTION

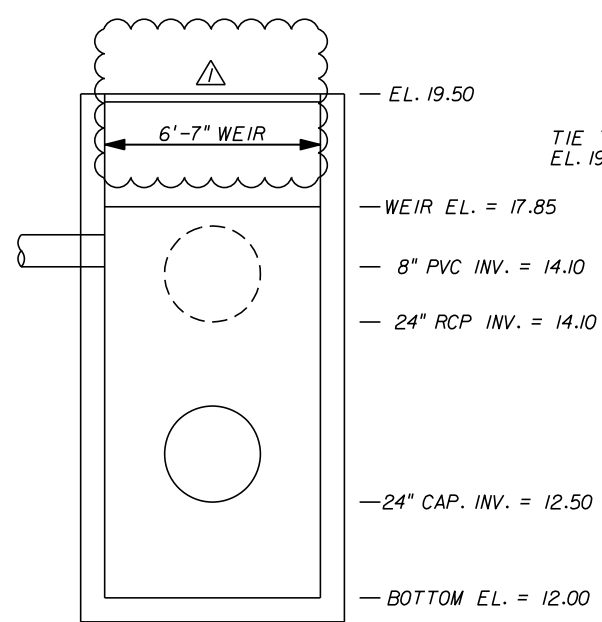
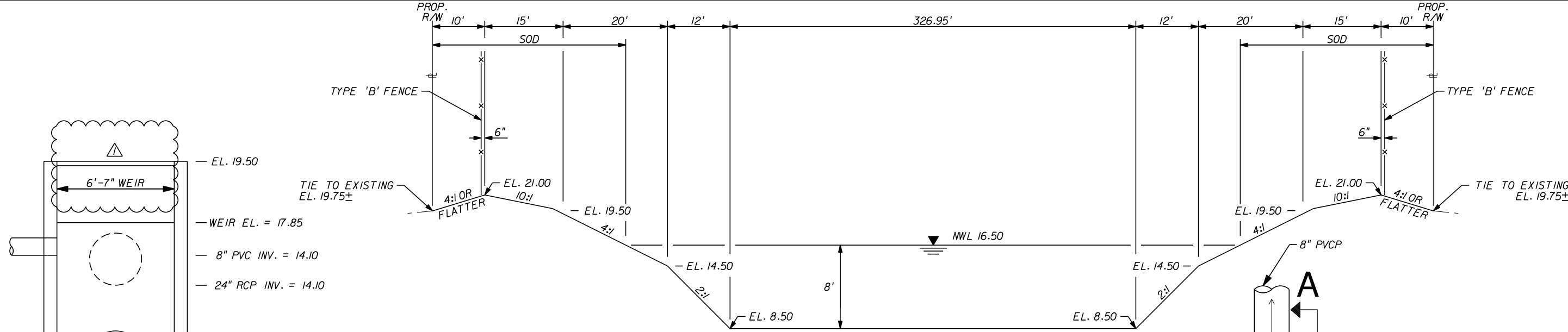
Kimley»Horn
 BRIAN A. GOOD, P.E.
 P.E. LICENSE NUMBER 56939
 445 24th STREET, SUITE 200
 VERO BEACH, FL 32960
 (772) 794-4100
 CERTIFICATE OF AUTHORIZATION# 00000696

**INDIAN RIVER COUNTY
 BOARD OF COUNTY COMMISSIONERS**
**66th AVENUE ROADWAY WIDENING -
 PHASE IB 49th STREET TO 69th STREET**

POND 66B-1

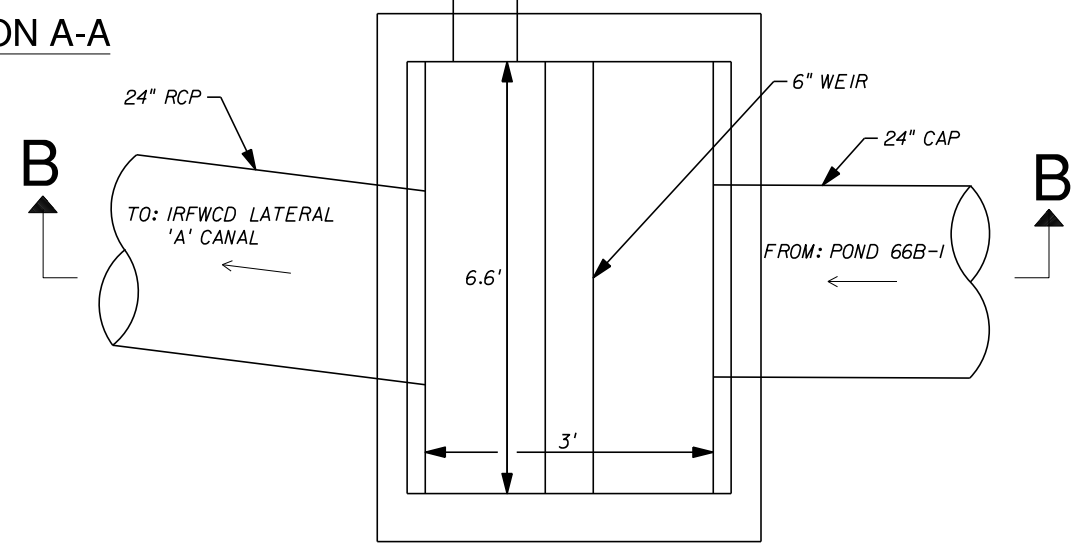
SHEET NO. 79

THE OFFICIAL RECORD OF THIS SHEET IS THE ELECTRONIC FILE DIGITALLY SIGNED AND SEALED UNDER RULE 61G15-23.004, F.A.C. I.R.C.O. Proj. No. 1505

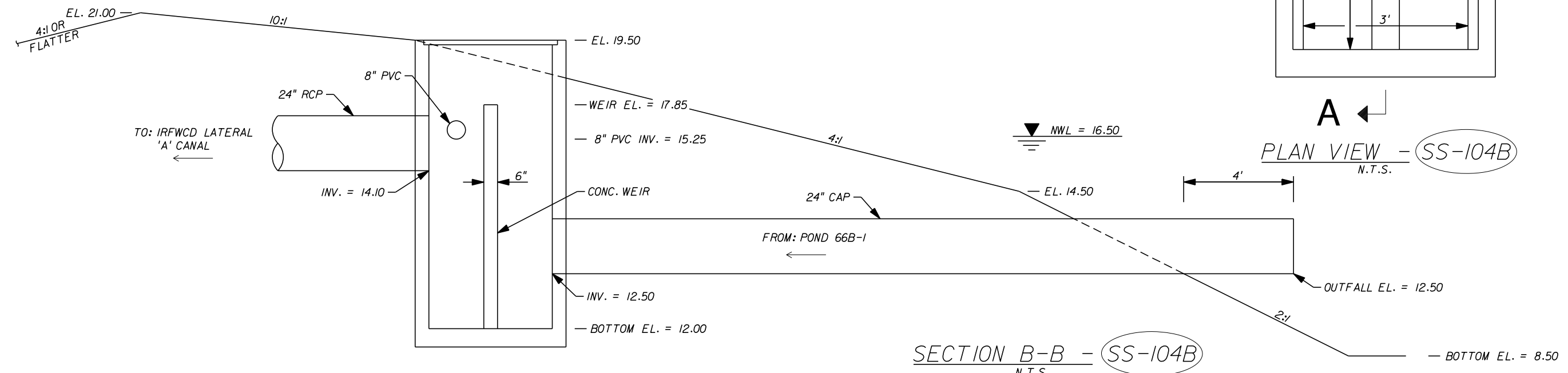


POND 66B-1 SECTION A-A
N.T.S.

SECTION A-A - SS-104B
N.T.S.



PLAN VIEW - SS-104B
N.T.S.



SECTION B-B - SS-104B
N.T.S.

POND 66B-1 CONTROL STRUCTURE DATA:

STR. NO.	STRUCTURE TYPE	STATION	OFFSET	GRATE EL	WEIR	N. INV.	S. INV.	W. INV.	BOTTOM EL
SS-104B	TYPE 'H' DBI	189+37.87	63.17' LT	19.50	WIDTH = 6.6' ELEV. = 17.85	12.50	14.10	15.25	12.00

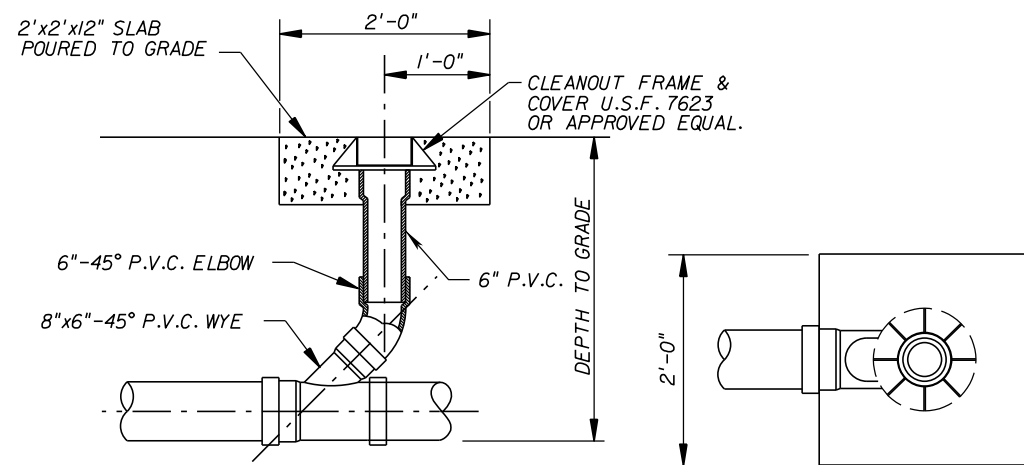
REVISIONS					
DATE	BY	DESCRIPTION	DATE	BY	DESCRIPTION
10/2020	R.P.	△ SJRWMD RFI No. 1			

Kimley»Horn
 BRIAN A. GOOD, P.E.
 P.E. LICENSE NUMBER 56939
 445 24th STREET, SUITE 200
 VERO BEACH, FL 32960
 (772) 794-4100
 CERTIFICATE OF AUTHORIZATION# 00000696

**INDIAN RIVER COUNTY
 BOARD OF COUNTY COMMISSIONERS**
 66th AVENUE ROADWAY WIDENING -
 PHASE IB 49th STREET TO 69th STREET

POND 66B-1

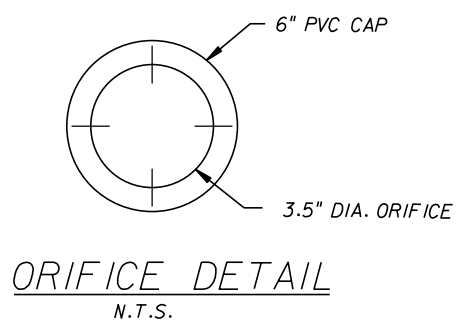
SHEET NO.	79A
-----------	-----



SECTION
N.T.S.

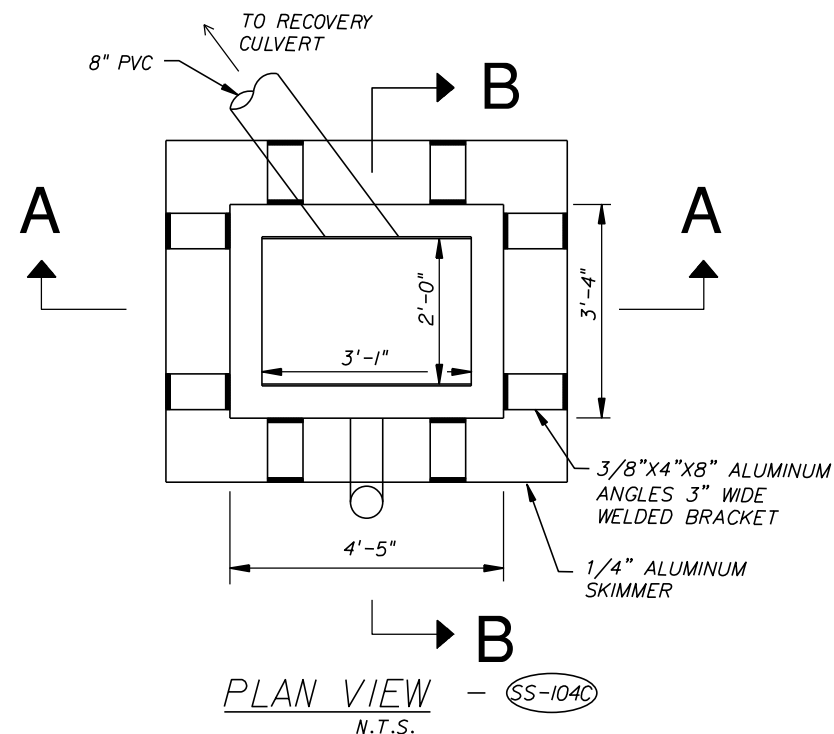
PLAN
N.T.S.

RECOVERY PIPE CLEANOUT DETAIL
N.T.S.

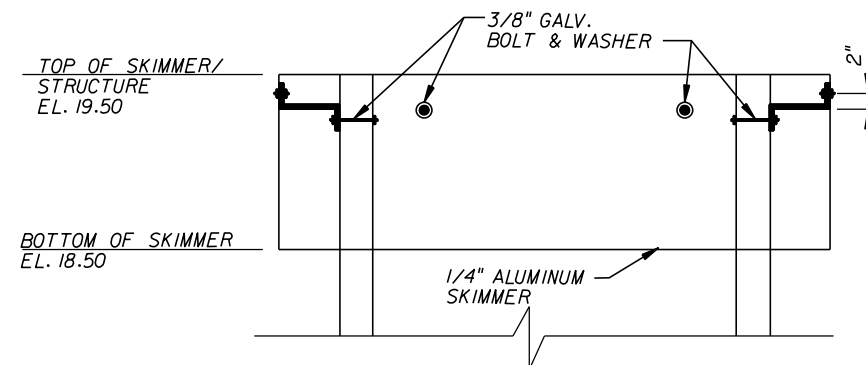


ORIFICE DETAIL
N.T.S.

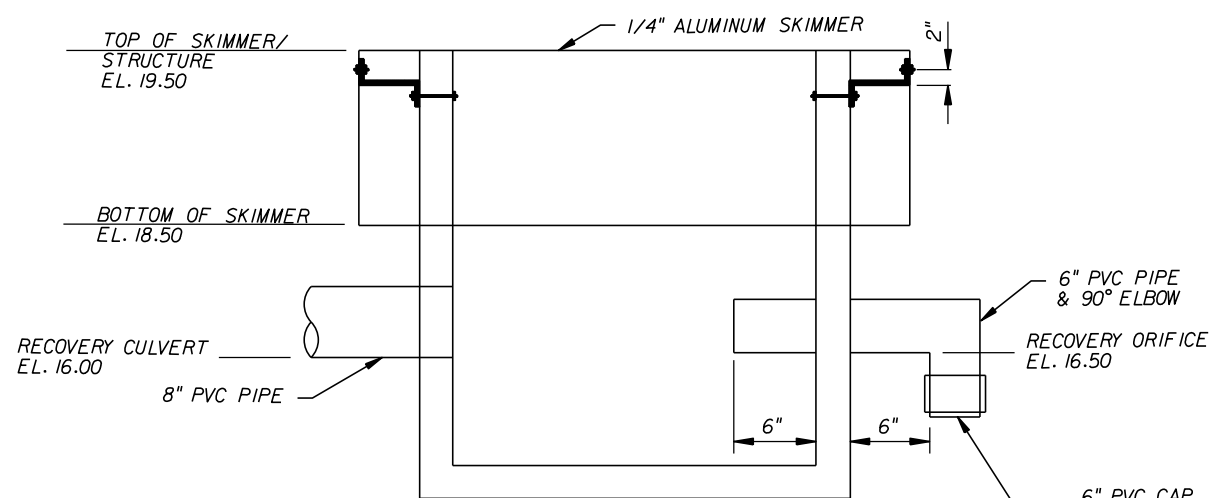
NOTE:
COST OF CLEANOUT TO BE INCLUDED
IN COST OF 8" PVC PIPE.



PLAN VIEW - SS-104C
N.T.S.



SECTION A-A
N.T.S.



SECTION B-B
N.T.S.

REVISIONS

DESCRIPTION	DATE	BY	DESCRIPTION

Kimley»Horn

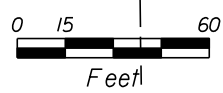
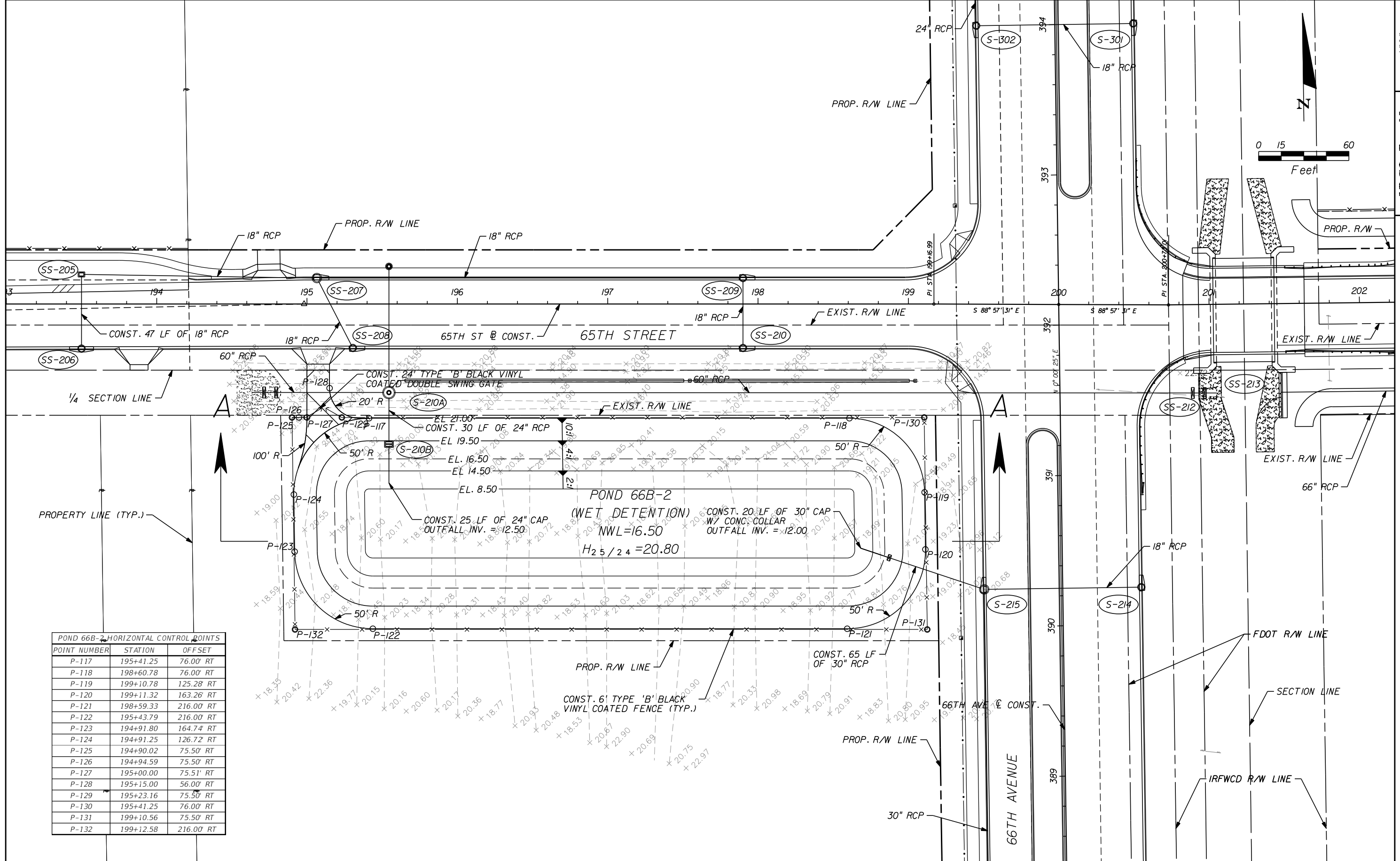
BRIAN A. GOOD, P.E.
P.E. LICENSE NUMBER 56939
445 24th STREET, SUITE 200
VERO BEACH, FL 32960
(772) 794-4100
CERTIFICATE OF AUTHORIZATION# 00000696

**INDIAN RIVER COUNTY
BOARD OF COUNTY COMMISSIONERS**
**66th AVENUE ROADWAY WIDENING -
PHASE IB 49th STREET TO 69th STREET**

POND 66B-1

SHEET
NO.

79B



POND 66B-2 HORIZONTAL CONTROL POINTS		
POINT NUMBER	STATION	OFFSET
P-117	195+41.25	76.00' RT
P-118	198+60.78	76.00' RT
P-119	199+10.78	125.28' RT
P-120	199+11.32	163.26' RT
P-121	198+59.33	216.00' RT
P-122	195+43.79	216.00' RT
P-123	194+91.80	164.74' RT
P-124	194+91.25	126.72' RT
P-125	194+90.02	75.50' RT
P-126	194+94.59	75.50' RT
P-127	195+00.00	75.51' RT
P-128	195+15.00	56.00' RT
P-129	195+23.16	75.50' RT
P-130	195+41.25	76.00' RT
P-131	199+10.56	75.50' RT
P-132	199+12.58	216.00' RT

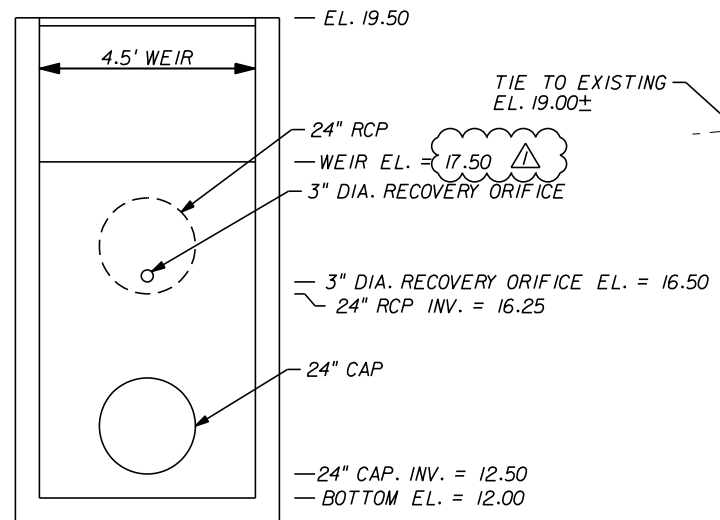
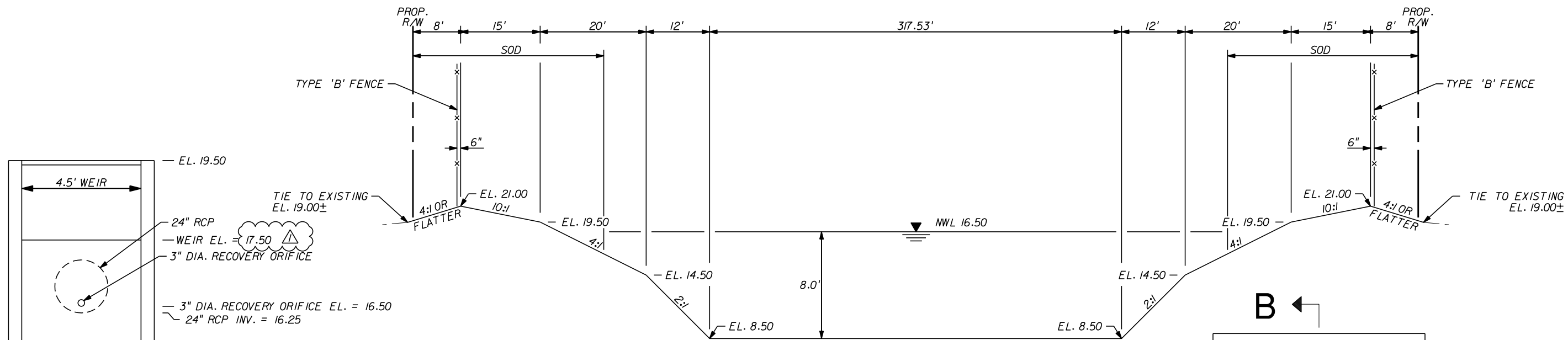
REVISIONS				
NO.	DESCRIPTION	DATE	BY	DESCRIPTION

Kimley»Horn
 BRIAN A. GOOD, P.E.
 P.E. LICENSE NUMBER 56939
 445 24th STREET, SUITE 200
 VERO BEACH, FL 32960
 (772) 794-4100
 CERTIFICATE OF AUTHORIZATION# 00000696

**INDIAN RIVER COUNTY
 BOARD OF COUNTY COMMISSIONERS**
**66th AVENUE ROADWAY WIDENING -
 PHASE IB 49th STREET TO 69th STREET**

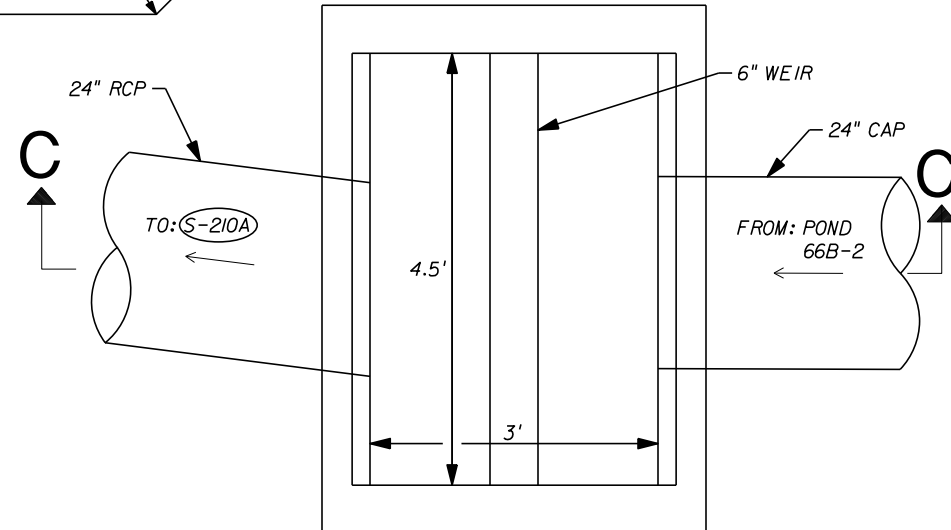
POND 66B-2

SHEET NO.
80

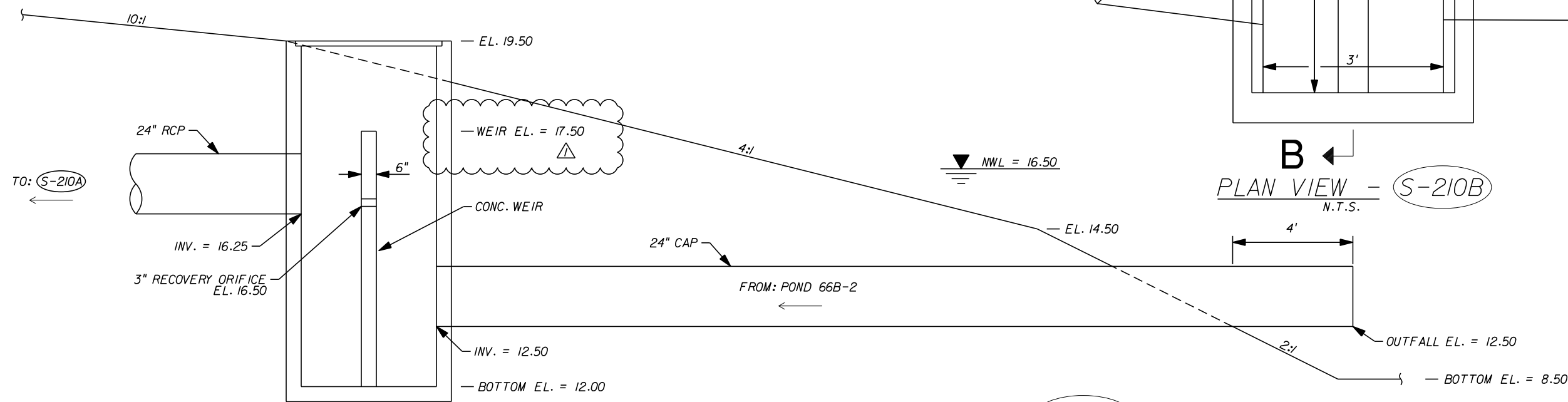


SECTION A-A
N.T.S.

SECTION B-B - S-210B
N.T.S.



PLAN VIEW - S-210B
N.T.S.



SECTION C-C - S-210B
N.T.S.

POND 66B-2 CONTROL STRUCTURE DATA:

STR. NO.	STRUCTURE TYPE	STATION	OFFSET	GRATE EL	WEIR	N. INV.	S. INV.	BOTTOM EL
S-210B	TYPE 'E' DBI	195+54.48	93.17' RT	19.50	WIDTH = 4.5' ELEV. = 18.00	16.25	12.50	12.00

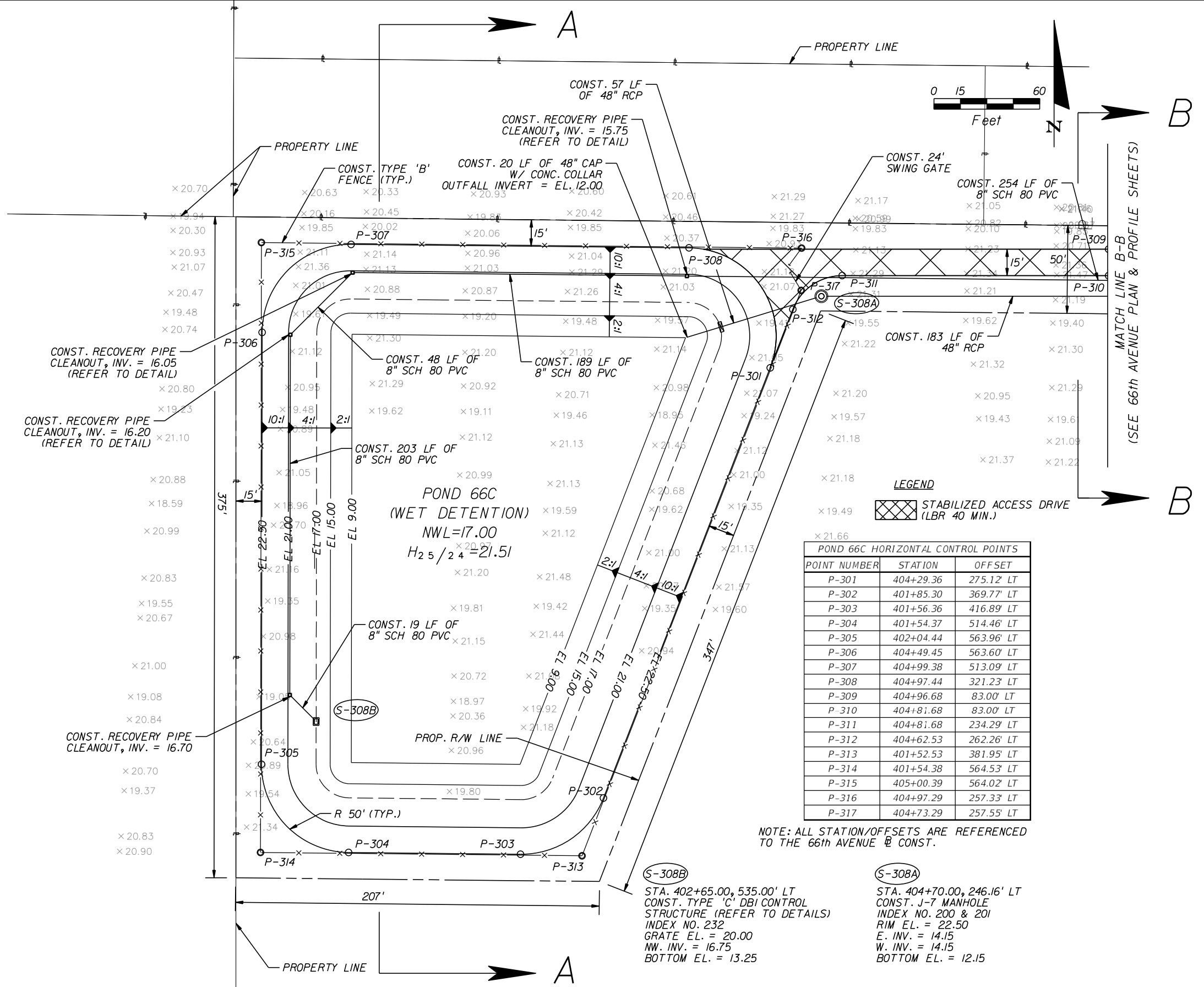
REVISIONS					
DATE	BY	DESCRIPTION	DATE	BY	DESCRIPTION
10/2020	R.P.	△ SJRWMD RFI No. 1			

Kimley»Horn
 BRIAN A. GOOD, P.E.
 P.E. LICENSE NUMBER 56939
 445 24th STREET, SUITE 200
 VERO BEACH, FL 32960
 (772) 794-4100
 CERTIFICATE OF AUTHORIZATION# 00000696

**INDIAN RIVER COUNTY
 BOARD OF COUNTY COMMISSIONERS**
 66th AVENUE ROADWAY WIDENING -
 PHASE IB 49th STREET TO 69th STREET

POND 66B-2

SHEET NO.
81



CONST. RECOVERY PIPE CLEANOUT, INV. = 16.05 (REFER TO DETAIL)

CONST. RECOVERY PIPE CLEANOUT, INV. = 16.20 (REFER TO DETAIL)

CONST. RECOVERY PIPE CLEANOUT, INV. = 16.70

CONST. 57 LF OF 48" RCP
 CONST. RECOVERY PIPE CLEANOUT, INV. = 15.75 (REFER TO DETAIL)
 CONST. 20 LF OF 48" CAP W/ CONC. COLLAR
 OUTFALL INVERT = EL. 12.00

POND 66C (WET DETENTION)
 NWL=17.00
 $H_{2.5}/2.4 = 21.51$

(S-308B)
 STA. 402+65.00, 535.00' LT
 CONST. TYPE 'C' DBI CONTROL STRUCTURE (REFER TO DETAILS)
 INDEX NO. 232
 GRATE EL. = 20.00
 NW. INV. = 16.75
 BOTTOM EL. = 13.25

(S-308A)
 STA. 404+70.00, 246.16' LT
 CONST. J-7 MANHOLE
 INDEX NO. 200 & 201
 RIM EL. = 22.50
 E. INV. = 14.15
 W. INV. = 14.15
 BOTTOM EL. = 12.15

REVISIONS

DESCRIPTION	DATE	BY	DESCRIPTION

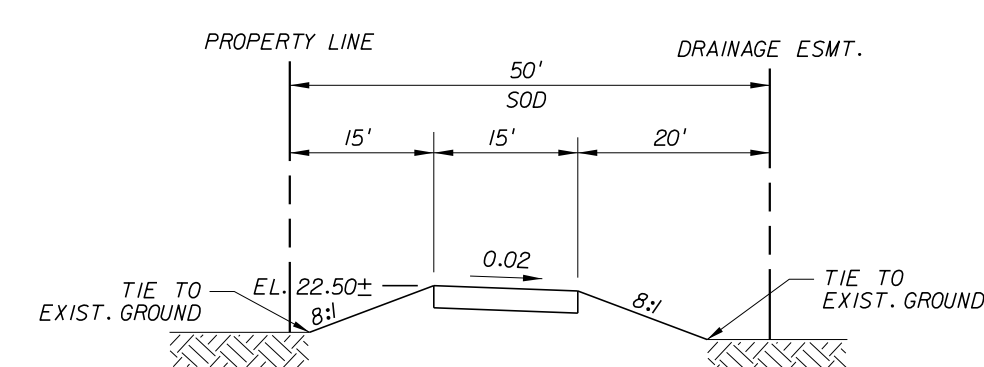
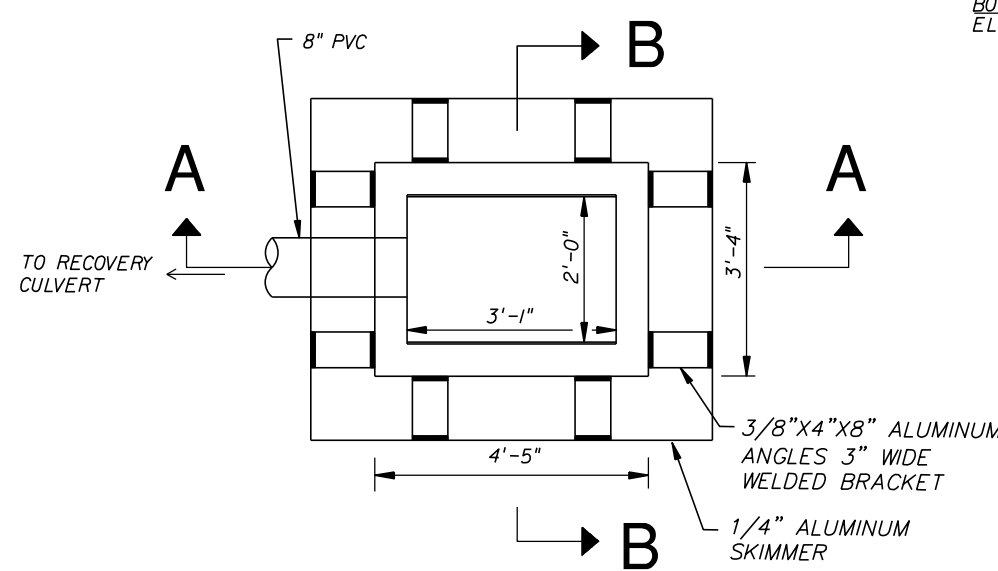
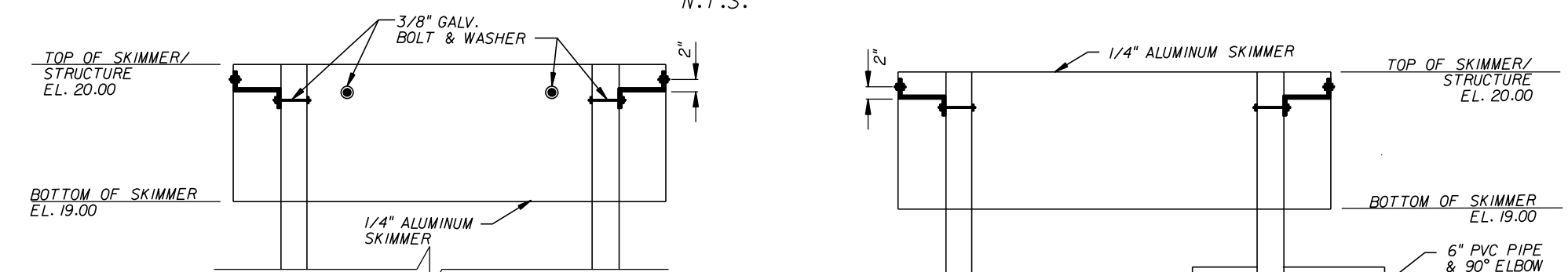
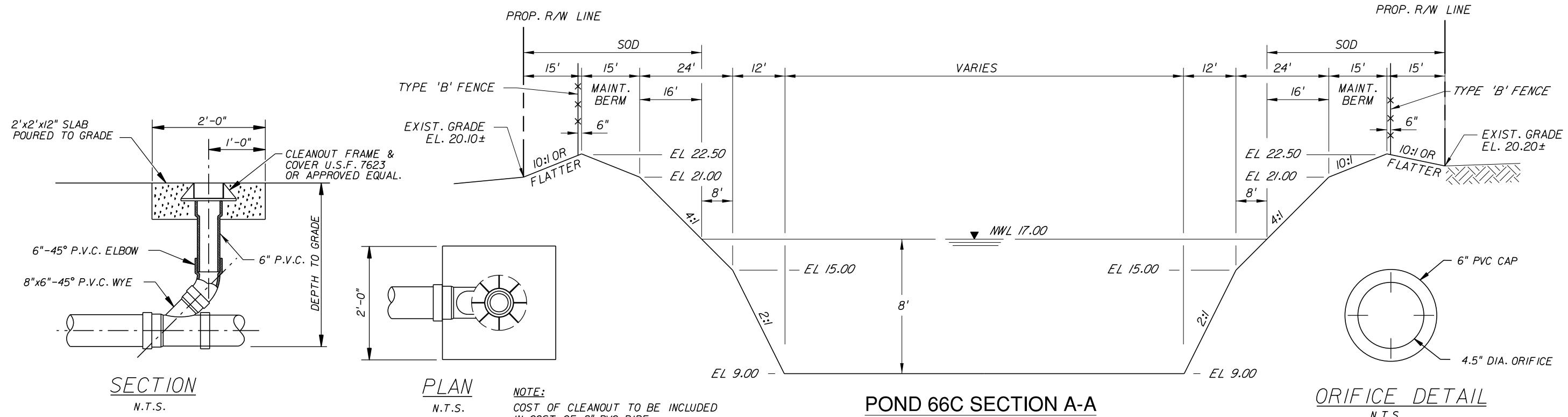
Kimley»Horn
 BRIAN A. GOOD, P.E.
 P.E. LICENSE NUMBER 56939
 445 24th STREET, SUITE 200
 VERO BEACH, FL 32960
 (772) 794-4100
 CERTIFICATE OF AUTHORIZATION# 00000696

INDIAN RIVER COUNTY BOARD OF COUNTY COMMISSIONERS
66th AVENUE ROADWAY WIDENING - PHASE IB 49th STREET TO 69th STREET

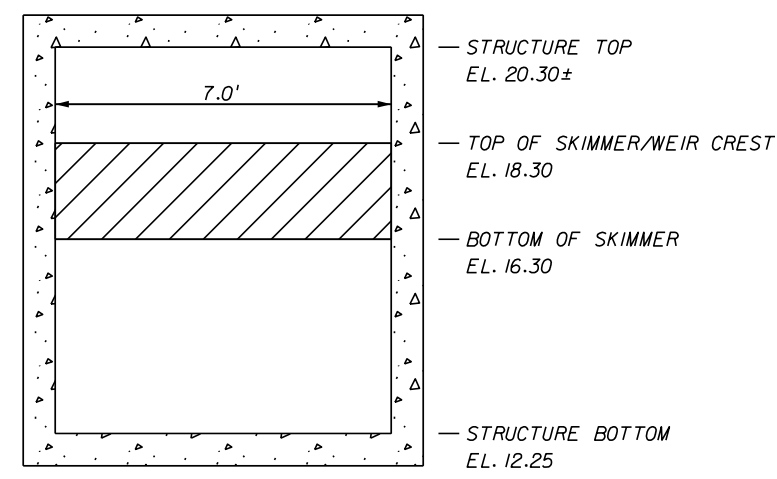
POND 66C

SHEET NO.

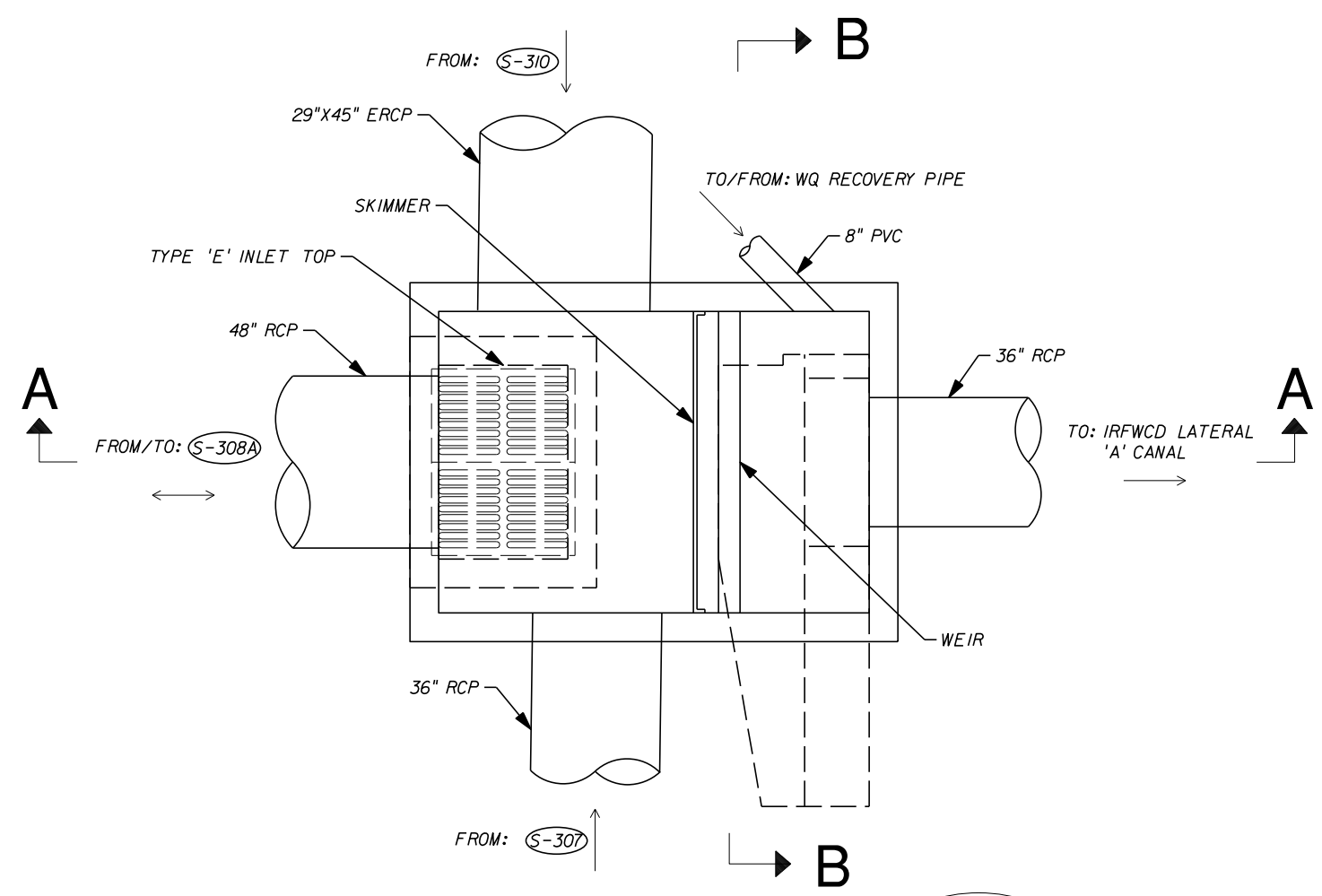
82



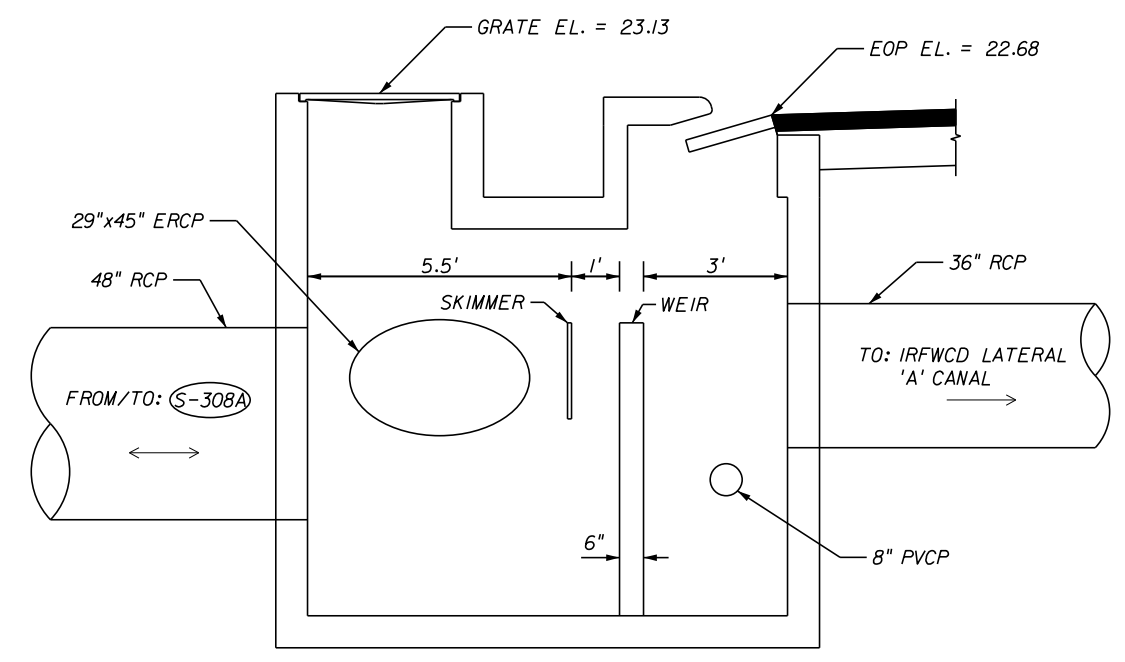
REVISIONS				DESCRIPTION	Kimley»Horn <small>BRIAN A. GOOD, P.E. P.E. LICENSE NUMBER 56939 445 24th STREET, SUITE 200 VERO BEACH, FL 32960 (772) 794-4100 CERTIFICATE OF AUTHORIZATION# 00000696</small>	INDIAN RIVER COUNTY BOARD OF COUNTY COMMISSIONERS 66th AVENUE ROADWAY WIDENING - PHASE IB 49th STREET TO 69th STREET	POND 66C	SHEET NO.
DESCRIPTION	DATE	BY	83					



SECTION B-B - S-308
N.T.S.



PLAN VIEW - S-308
N.T.S.



SECTION A-A - S-308
N.T.S.

POND 66C CONTROL STRUCTURE DATA:

STR. NO.	STRUCTURE TYPE	STATION	OFFSET	EOP EL	WEIR	N. INV.	N. INV.	S. INV.	E. INV.	W. INV.	BOTTOM EL
S-308	J-5 CURB INLET & TYPE E TOP	404+70.00	LT	22.68	WIDTH = 4.5' ELEV. = 18.30	16.00	14.75 (8" PVC)	15.25	15.75	14.25	12.25

REVISIONS

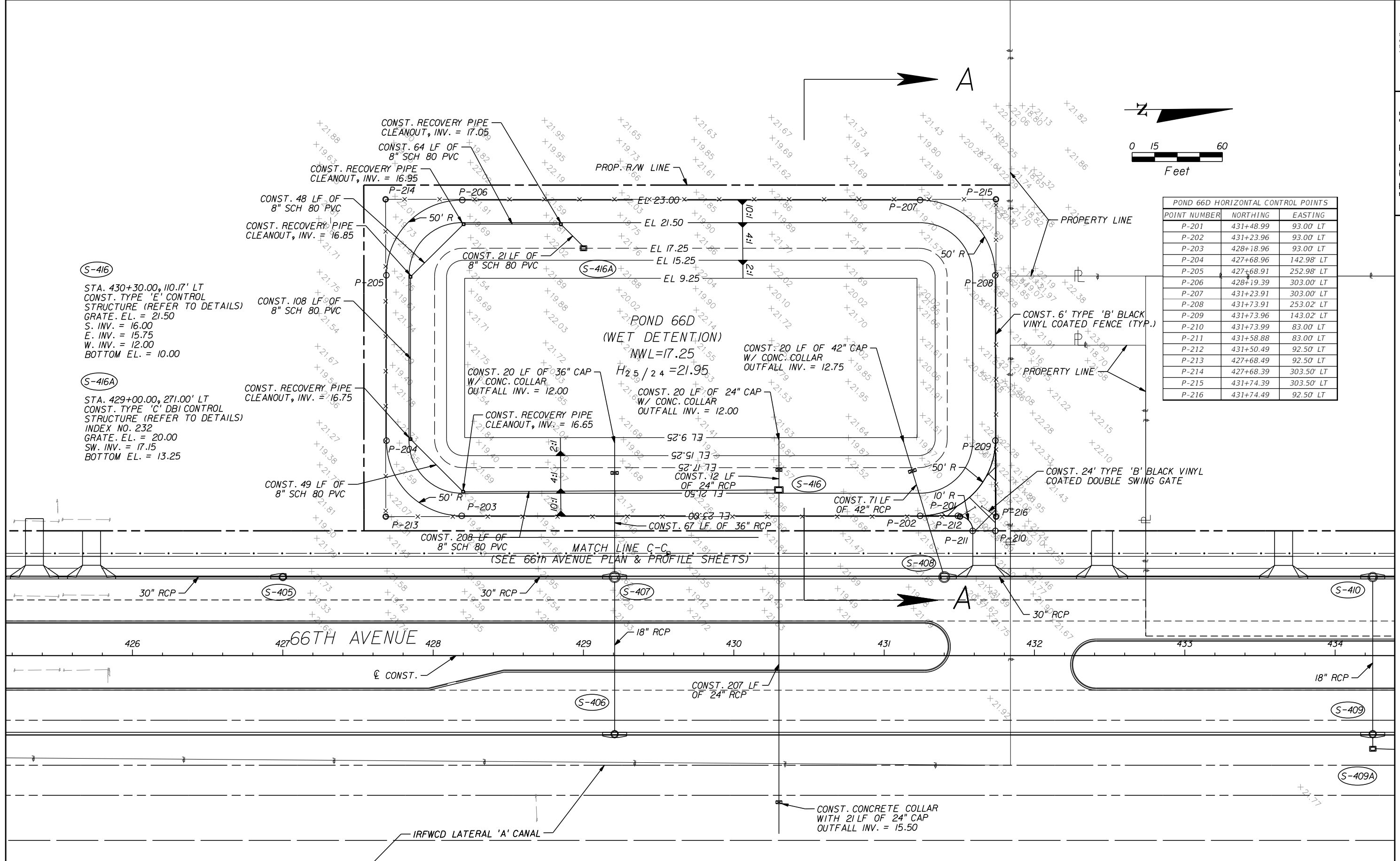
DESCRIPTION	DATE	BY	DESCRIPTION

Kimley»Horn
 BRIAN A. GOOD, P.E.
 P.E. LICENSE NUMBER 56939
 445 24th STREET, SUITE 200
 VERO BEACH, FL 32960
 (772) 794-4100
 CERTIFICATE OF AUTHORIZATION# 00000696

INDIAN RIVER COUNTY BOARD OF COUNTY COMMISSIONERS
 66th AVENUE ROADWAY WIDENING - PHASE IB 49th STREET TO 69th STREET

POND 66C

SHEET NO.
84



POND 66D HORIZONTAL CONTROL POINTS		
POINT NUMBER	NORTHING	EASTING
P-201	431+48.99	93.00' LT
P-202	431+23.96	93.00' LT
P-203	428+18.96	93.00' LT
P-204	427+68.96	142.98' LT
P-205	427+68.91	252.98' LT
P-206	428+19.39	303.00' LT
P-207	431+23.91	303.00' LT
P-208	431+73.91	253.02' LT
P-209	431+73.96	143.02' LT
P-210	431+73.99	83.00' LT
P-211	431+58.88	83.00' LT
P-212	431+50.49	92.50' LT
P-213	427+68.49	92.50' LT
P-214	427+68.39	303.50' LT
P-215	431+74.39	303.50' LT
P-216	431+74.49	92.50' LT

S-416
 STA. 430+30.00, 110.17' LT
 CONST. TYPE 'E' CONTROL
 STRUCTURE (REFER TO DETAILS)
 GRATE. EL. = 21.50
 S. INV. = 16.00
 E. INV. = 15.75
 W. INV. = 12.00
 BOTTOM EL. = 10.00

S-416A
 STA. 429+00.00, 271.00' LT
 CONST. TYPE 'C' DBI CONTROL
 STRUCTURE (REFER TO DETAILS)
 INDEX NO. 232
 GRATE. EL. = 20.00
 SW. INV. = 17.15
 BOTTOM EL. = 13.25

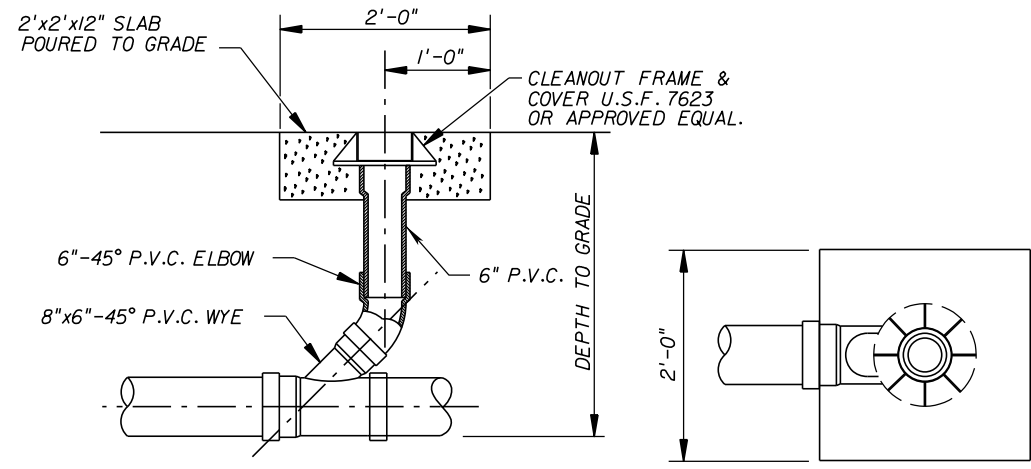
REVISIONS				
NO.	DESCRIPTION	DATE	BY	DESCRIPTION

Kimley»Horn
 BRIAN A. GOOD, P.E.
 P.E. LICENSE NUMBER 56939
 445 24th STREET, SUITE 200
 VERO BEACH, FL 32960
 (772) 794-4100
 CERTIFICATE OF AUTHORIZATION# 00000696

**INDIAN RIVER COUNTY
 BOARD OF COUNTY COMMISSIONERS**
**66th AVENUE ROADWAY WIDENING -
 PHASE IB 49th STREET TO 69th STREET**

POND 66D

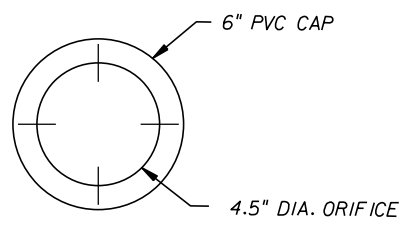
SHEET NO.
85



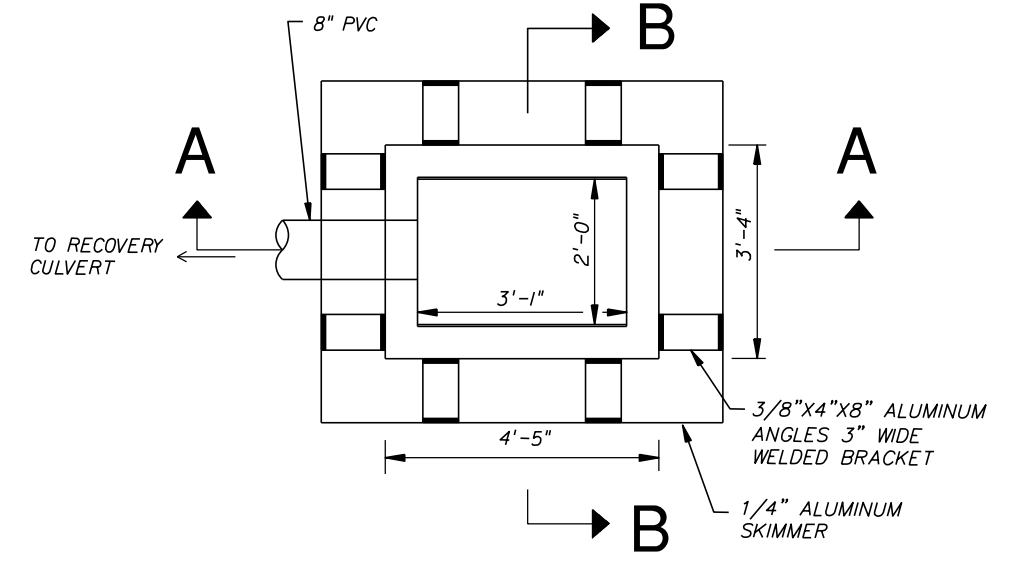
SECTION
N.T.S.
RECOVERY PIPE CLEANOUT DETAIL
N.T.S.

PLAN
N.T.S.

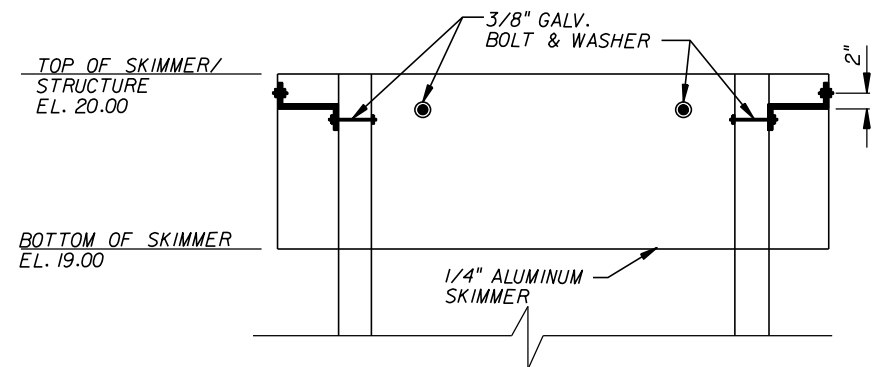
NOTE:
COST OF CLEANOUT TO BE INCLUDED
IN COST OF 8" PVC PIPE.



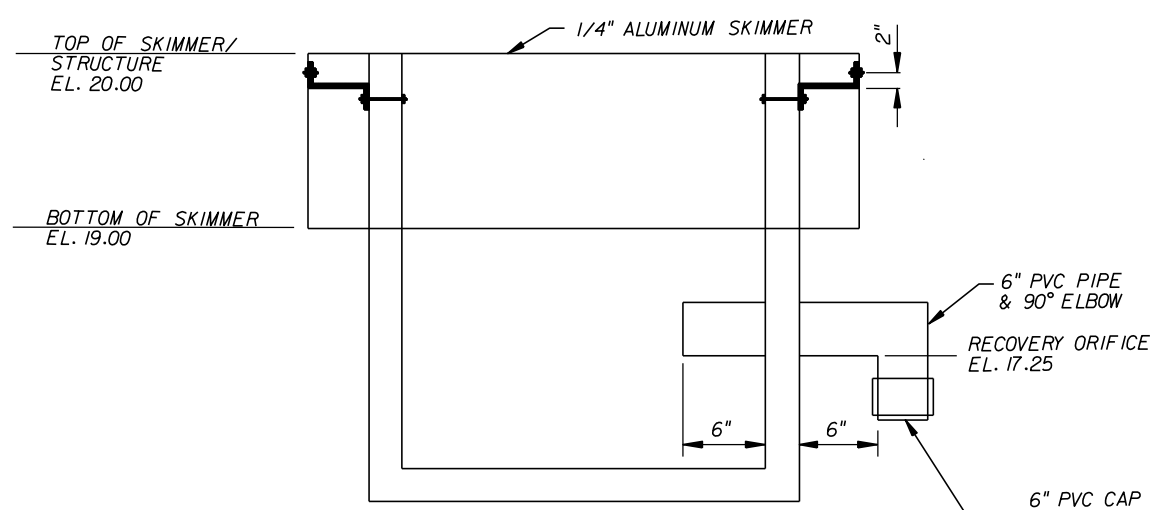
ORIFICE DETAIL
N.T.S.



PLAN VIEW - S-416A
N.T.S.



SECTION A-A
N.T.S.



SECTION B-B
N.T.S.

REVISIONS				
NO.	DESCRIPTION	DATE	BY	DESCRIPTION

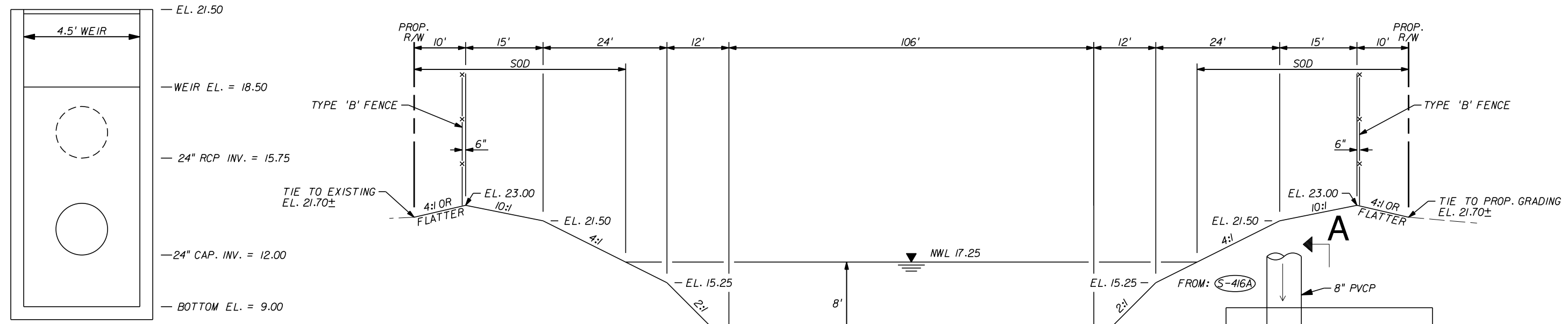
Kimley»Horn
 BRIAN A. GOOD, P.E.
 P.E. LICENSE NUMBER 56939
 445 24th STREET, SUITE 200
 VERO BEACH, FL 32960
 (772) 794-4100
 CERTIFICATE OF AUTHORIZATION# 00000696

**INDIAN RIVER COUNTY
 BOARD OF COUNTY COMMISSIONERS**
**66th AVENUE ROADWAY WIDENING -
 PHASE IB 49th STREET TO 69th STREET**

POND 66D

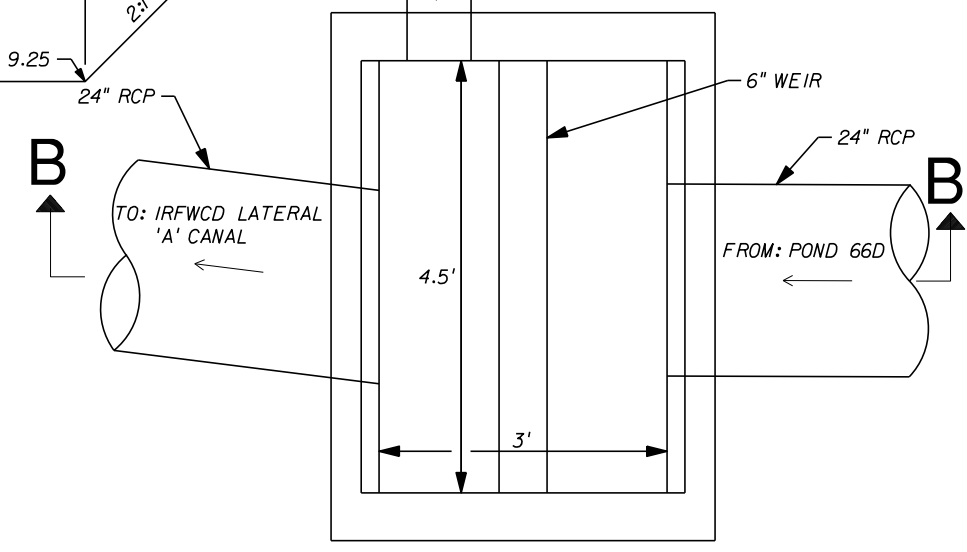
SHEET NO.
86

1505 I.R.CO. Proj. No. THE OFFICIAL RECORD OF THIS SHEET IS THE ELECTRONIC FILE DIGITALLY SIGNED AND SEALED UNDER RULE 61G15-23.004, F.A.C.

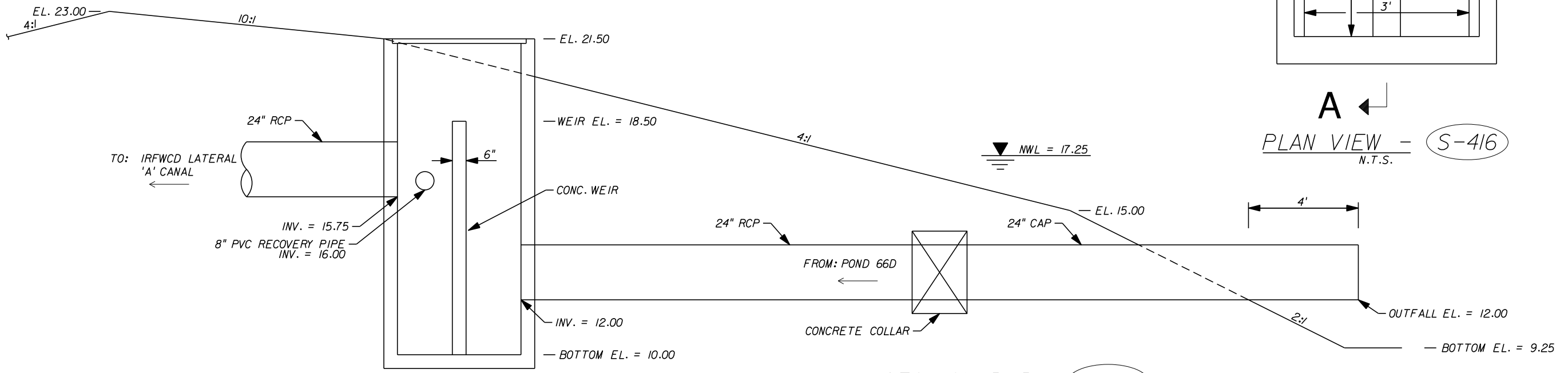


SECTION A-A - S-416
N.T.S.

POND 66D SECTION A-A
N.T.S.



PLAN VIEW - S-416
N.T.S.



SECTION B-B - S-416
N.T.S.

POND 66D CONTROL STRUCTURE DATA:

STR. NO.	STRUCTURE TYPE	STATION	OFFSET	GRATE EL.	WEIR	S. INV.	W. INV.	E. INV.	BOTTOM EL.
S-416	TYPE 'E' DBI	430+30.00	110.17' LT	21.50	WIDTH = 4.5' ELEV. = 18.50	16.00	12.00	15.75	10.00

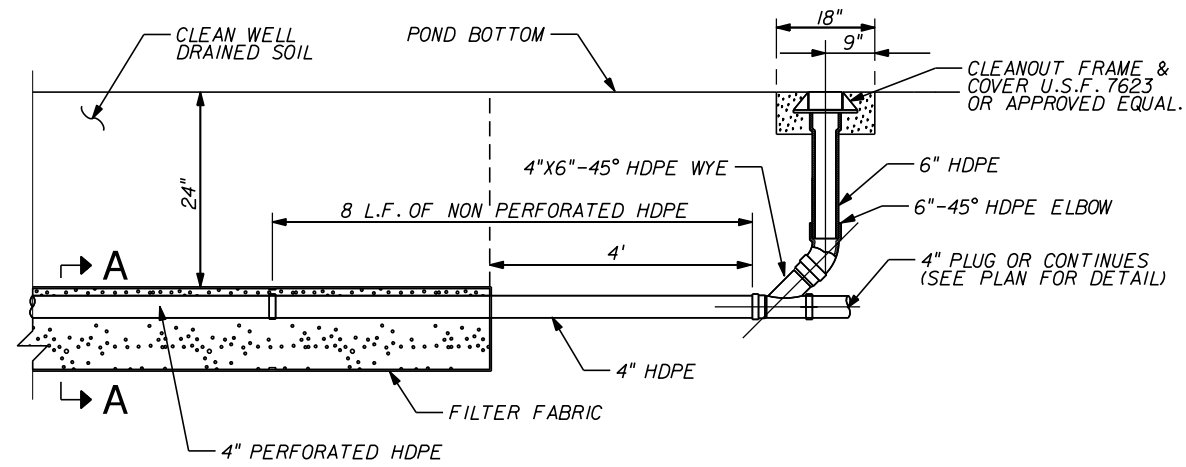
REVISIONS				
NO.	DESCRIPTION	DATE	BY	DESCRIPTION

Kimley»Horn
 BRIAN A. GOOD, P.E.
 P.E. LICENSE NUMBER 56939
 445 24th STREET, SUITE 200
 VERO BEACH, FL 32960
 (772) 794-4100
 CERTIFICATE OF AUTHORIZATION# 00000696

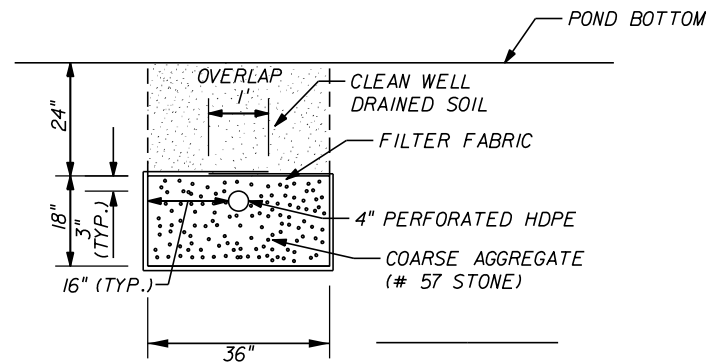
**INDIAN RIVER COUNTY
 BOARD OF COUNTY COMMISSIONERS**
 66th AVENUE ROADWAY WIDENING -
 PHASE IB 49th STREET TO 69th STREET

POND 66D

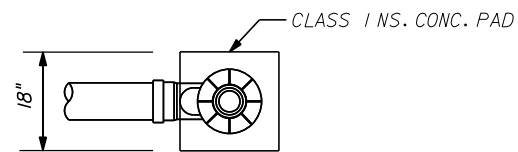
SHEET NO.	87
-----------	----



SECTION

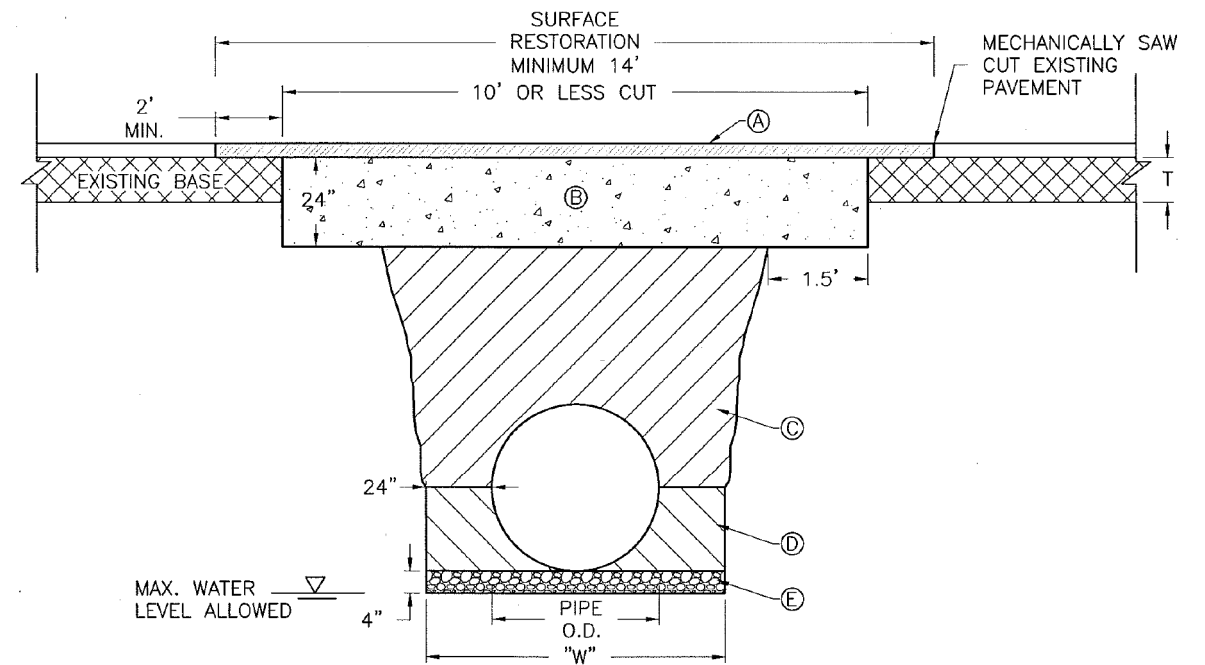


SECTION A-A
N.T.S.



PLAN

ROCK DRAIN AND PIPE CLEANOUT DETAIL
N.T.S.



STORMWATER/UTILITY PIPE
INSTALLATION

NOTES:

1. UTILITY CONSTRUCTION WITHIN THE RIGHT-OF-WAY SHALL COMPLY WITH COUNTY CODE CHAPTER 312.
 - 1.1. ALL INSTALLATIONS LESS THAN 12" DIAMETER AND NON GRAVITY UTILITIES SHALL BE BY DIRECTIONAL BORE.
 - 1.2. PARTIAL LANE CUTS REQUIRE A MINIMUM OF SINGLE LANE RESTORATION.
 2. WHERE SOIL CONDITIONS CANNOT BE MAINTAINED AS SHOWN ABOVE, PROVIDE APPROVED METHOD OF CONSTRUCTION FOR APPROVAL BY THE COUNTY ENGINEER OR DESIGNEE PRIOR TO INSTALLATION.
 3. SHORING MAY BE REQUIRED IN ACCORDANCE WITH ALL INDUSTRY STANDARDS.
 4. NEW SURFACING MATERIALS SHALL BE CONSISTENT OR BETTER THAN EXISTING CONDITIONS AND SHALL HAVE BUTT JOINTS (2.5 INCH MINIMUM THICKNESS).
 5. ALL ROADWAY RESTORATION SHALL COMPLY WITH INDIAN RIVER COUNTY PUBLIC WORKS AND FDOT STANDARDS (LATEST EDITION).
 6. MINIMUM TRENCH WIDTH "W" = PIPE O.D. PLUS 2'-0" ON EACH SIDE.
- (A) MINIMUM EXISTING PAVEMENT DEPTH OR PER COUNTY ROADWAY DESIGN CRITERIA DETAIL, WHICHEVER IS GREATER.
- (B) FLOWABLE FILL AS DEFINED AS NON-EXCAVATABLE IN ACCORDANCE WITH FDOT STANDARD SPECIFICATIONS FOR ROAD AND BRIDGE CONSTRUCTION, SECTION 121, WITH STRENGTH OF 125-300 PSI.
- (C) A.A.S.H.T.O. TYPE A-3 MATERIAL IN MAXIMUM 6" LIFTS COMPACTED AT 98% A.A.S.H.T.O. T-180.
- (D) A.A.S.H.T.O. TYPE A-3 MATERIAL IN MAXIMUM 4" LIFTS COMPACTED AT 98% A.A.S.H.T.O. T-180. EXCAVATABLE FLOWABLE FILL IS ALLOWED WITH PRIOR APPROVAL OF PROPOSED MATERIAL STRENGTH BY THE COUNTY ENGINEER OR DESIGNEE.
- (E) 3/4" DIAMETER, WASHED BEDDING ROCK OR PEA ROCK WHERE UNSUITABLE BEDDING MATERIAL EXISTS OR IF DEWATERING IS REQUIRED. SUITABLE MATERIAL IS DEFINED AS STABLE GRANULAR MATERIAL FREE OF ROCK FORMATION, OTHER FOREIGN FORMATIONS AND CONSTRUCTED TO UNIFORM GRADE AND LINE.

REVISIONS				
NO.	DESCRIPTION	DATE	BY	DESCRIPTION

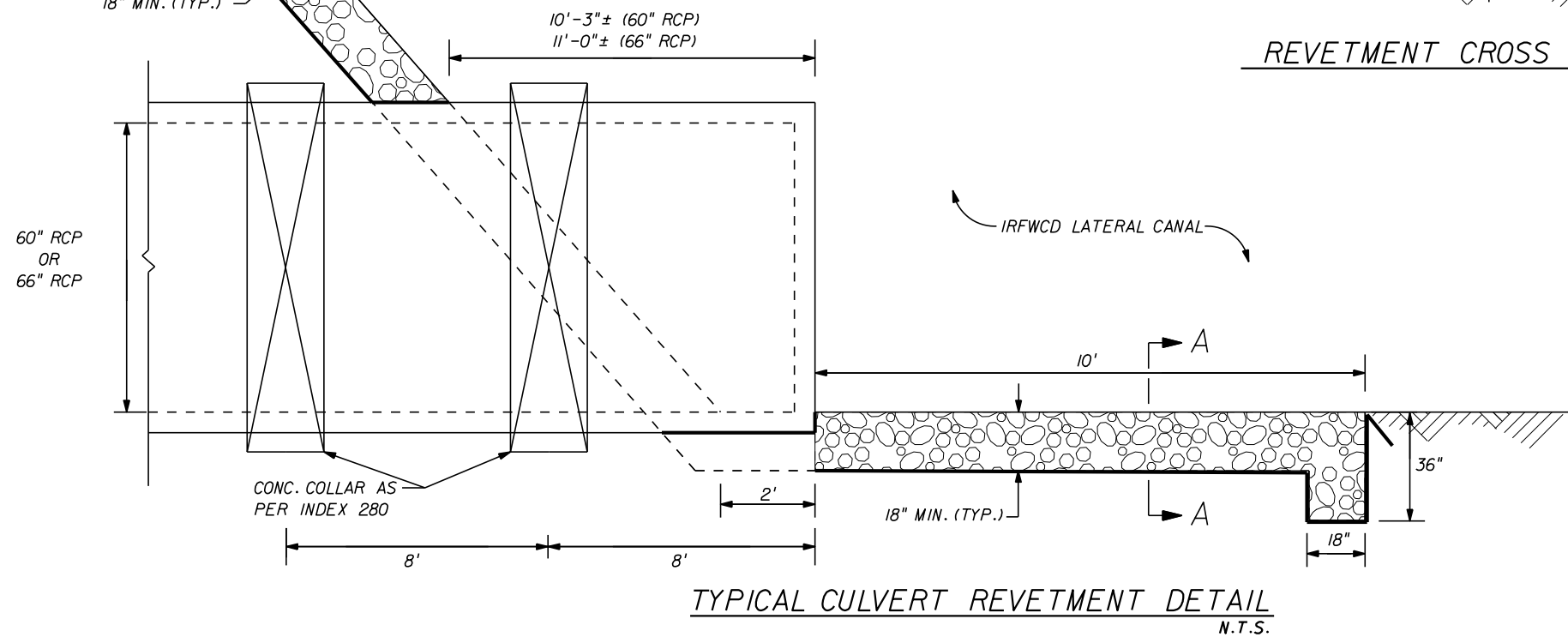
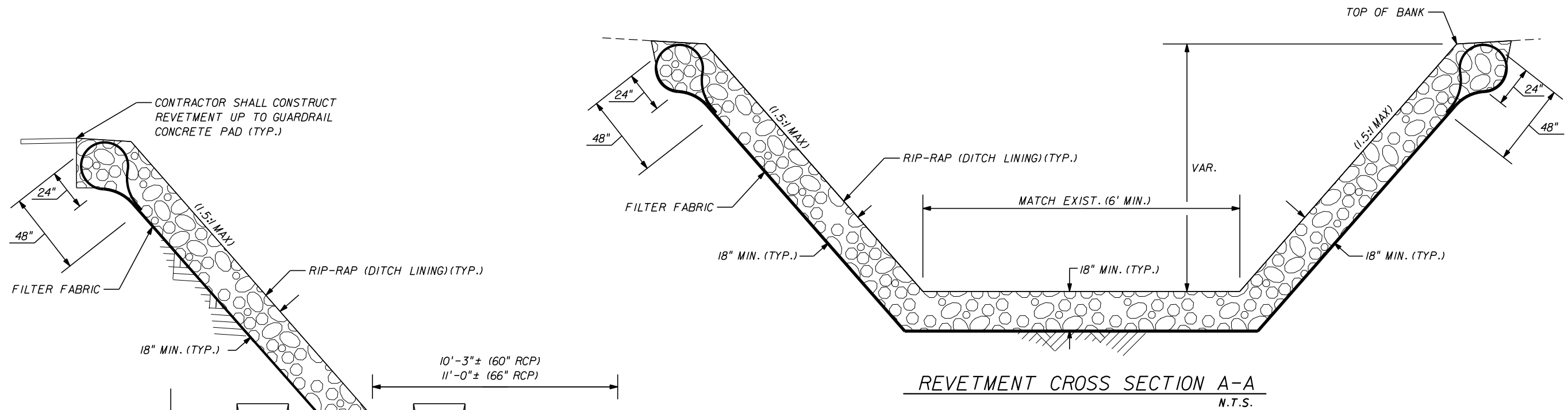
Kimley»Horn
 BRIAN A. GOOD, P.E.
 P.E. LICENSE NUMBER 56939
 445 24th STREET, SUITE 200
 VERO BEACH, FL 32960
 (772) 794-4100
 CERTIFICATE OF AUTHORIZATION# 00000696

**INDIAN RIVER COUNTY
 BOARD OF COUNTY COMMISSIONERS**
 66th AVENUE ROADWAY WIDENING -
 PHASE IB 49th STREET TO 69th STREET

DRAINAGE DETAILS

SHEET
NO.
88

THE OFFICIAL RECORD OF THIS SHEET IS THE ELECTRONIC FILE DIGITALLY SIGNED AND SEALED UNDER RULE 61G15-23.004, F.A.C.



NOTES:

1. COST OF FILTER FABRIC TO BE INCLUDED IN THE CONTRACT UNIT PRICE FOR RIP-RAP.
2. RIP-RAP MATERIAL AND INSTALLATION SHALL BE IN ACCORDANCE WITH FDOT SECTION 530.
3. THE CONTRACTOR SHALL TRANSITION RUBBLE RIP-RAP SLOPE TO TIE TO EXISTING CANAL BANK SLOPE WHERE RUBBLE RIP-RAP IS INDICATED TO TIE TO EXISTING GRADES.

REVISIONS				
DESCRIPTION	DATE	BY	DESCRIPTION	

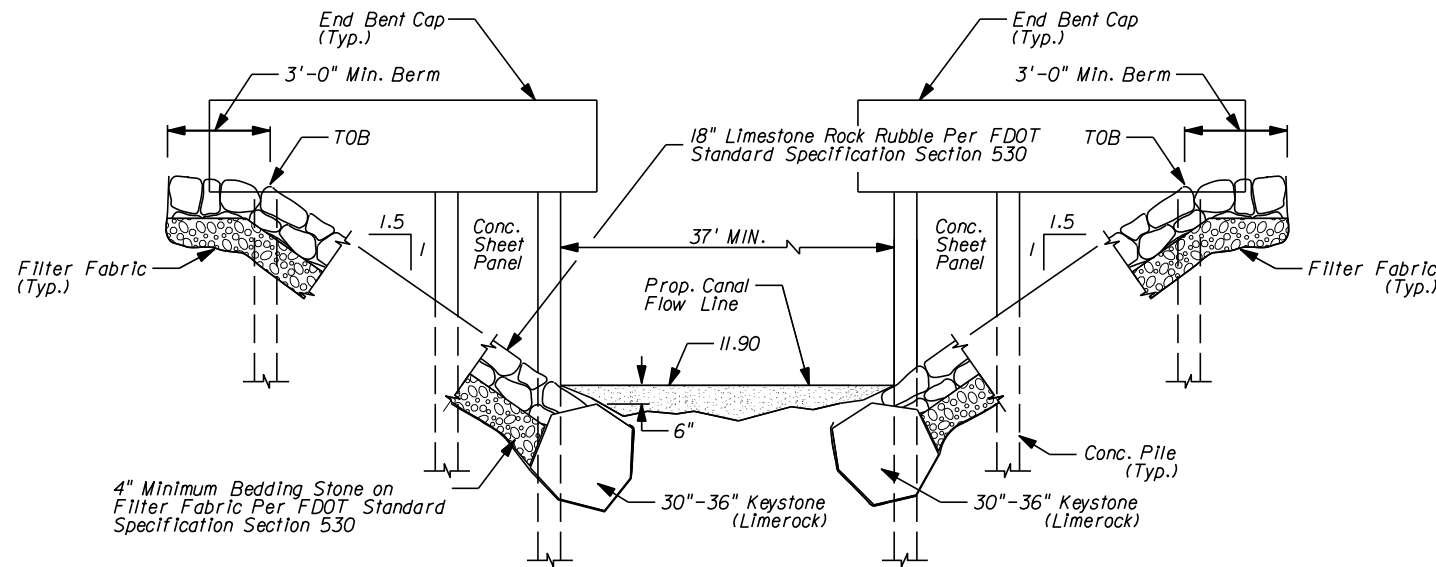
Kimley»Horn
 BRIAN A. GOOD, P.E.
 P.E. LICENSE NUMBER 56939
 445 24th STREET, SUITE 200
 VERO BEACH, FL 32960
 (772) 794-4100
 CERTIFICATE OF AUTHORIZATION# 00000696

**INDIAN RIVER COUNTY
 BOARD OF COUNTY COMMISSIONERS**
 66th AVENUE ROADWAY WIDENING -
 PHASE IB 49th STREET TO 69th STREET

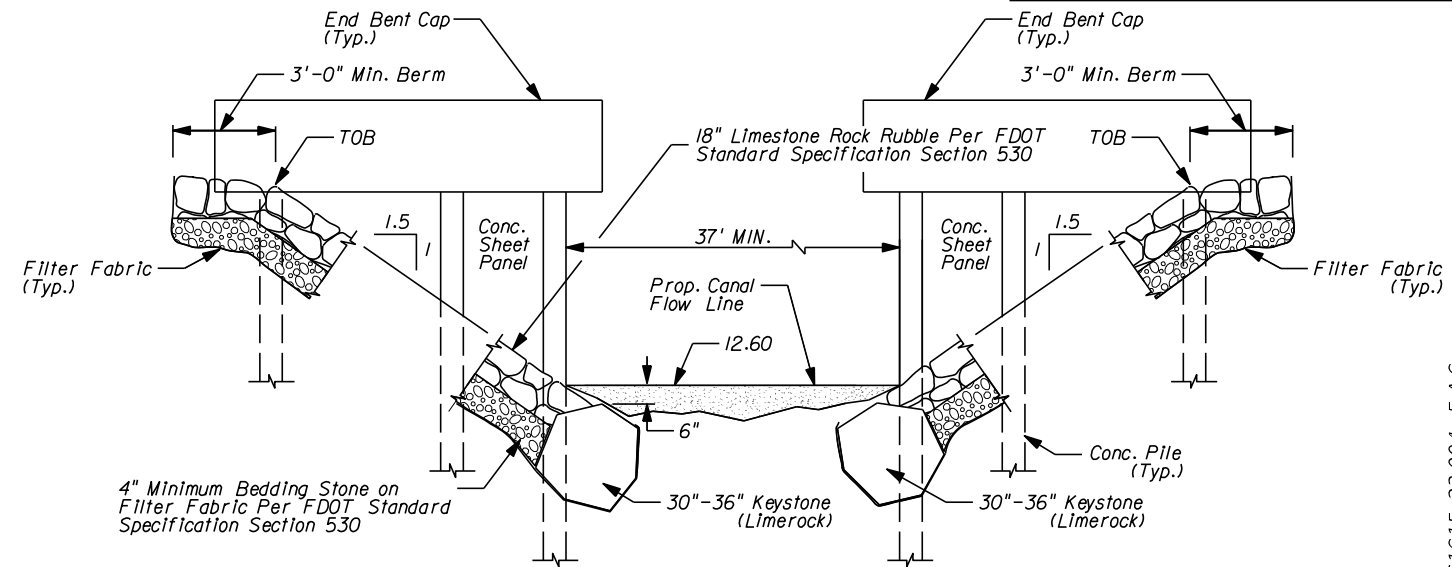
DRAINAGE DETAILS

SHEET NO.
88A

THE OFFICIAL RECORD OF THIS SHEET IS THE ELECTRONIC FILE DIGITALLY SIGNED AND SEALED UNDER RULE 61G15-23.004, F.A.C.



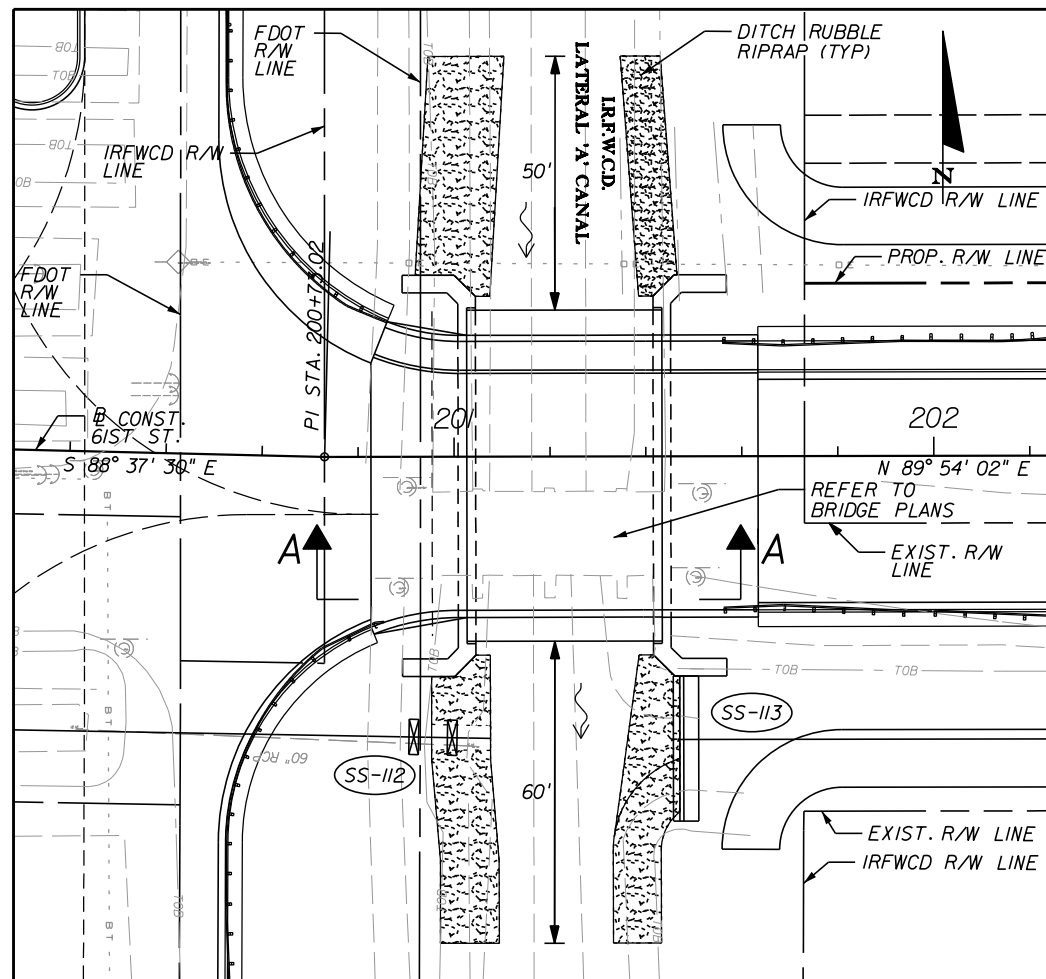
SECTION A-A



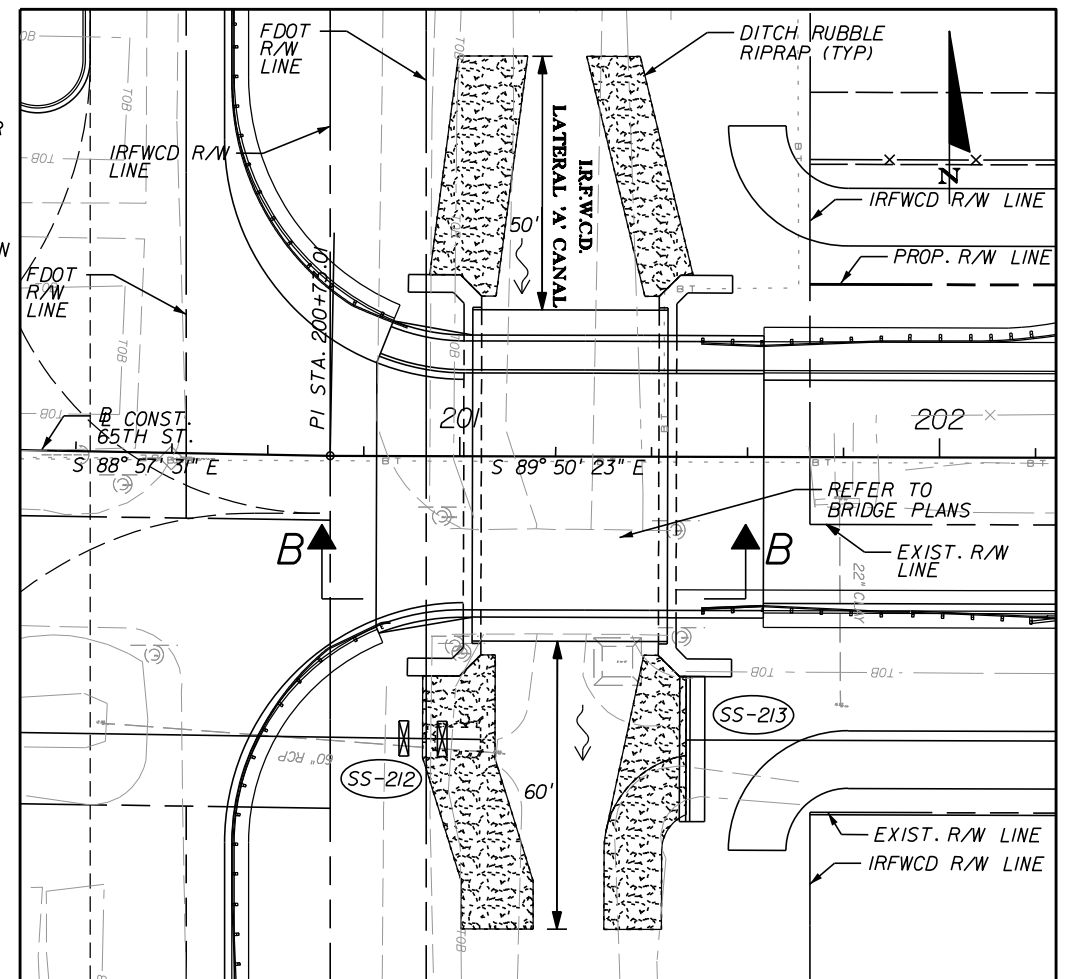
SECTION B-B

NOTES

1. SLOPE PROTECTION REVETMENT SHALL EXTEND NO LESS THAN 20 LF FROM U/S FACE OF BRIDGE AND 30 LF FROM D/S FACE OF BRIDGE.
2. SLOPE PROTECTION SHALL BE CONTINUOUS BENEATH BRIDGE DECK. PATTERN NOT SHOWN BENEATH BRIDGE FOR CLARITY ONLY.
3. ALL SOD SHALL BE PEGGED IN ACCORDANCE WITH FDOT SECTION 570 WHEN INSTALLED ON A SLOPE STEEPER THAN 3:1. ALL COSTS ASSOCIATED WITH PEGGING SOD SHALL BE INCLUDED IN THE UNIT PRICE FOR PERFORMANCE TURF.
4. THE CONTRACTOR SHALL TRANSITION RUBBLE RIP-RAP SLOPE TO TIE TO EXISTING CANAL BANK SLOPE WHERE RUBBLE RIP-RAP IS INDICATED TO TIE TO EXISTING GRADES.



61st Street Bridge Revetment Details
N.T.S.



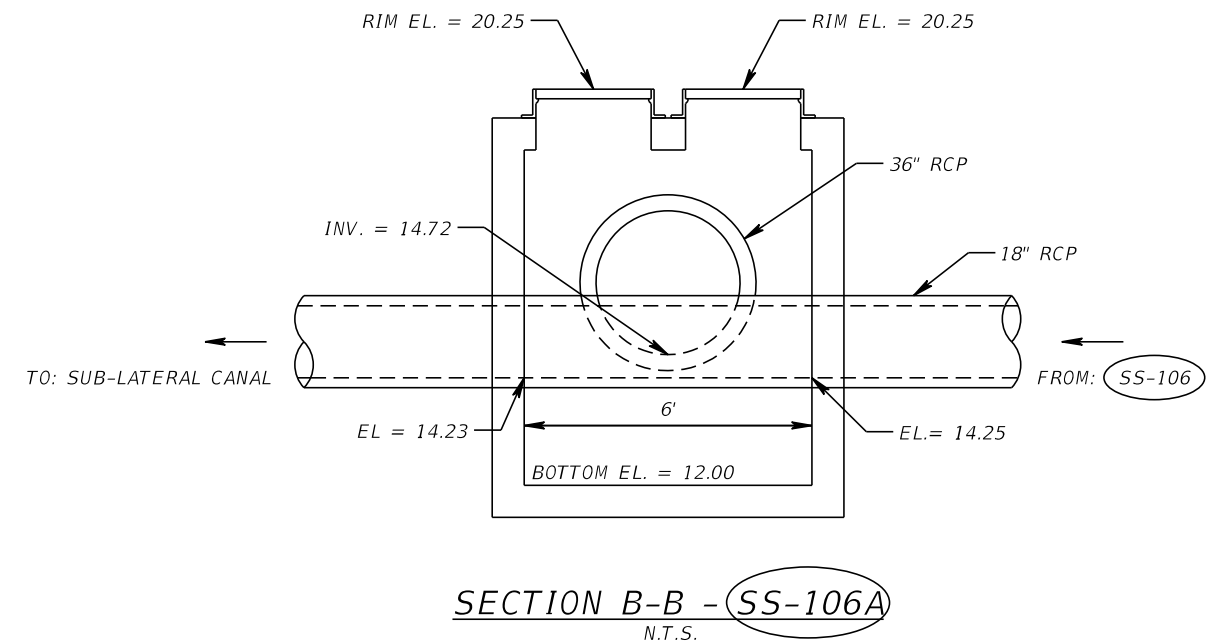
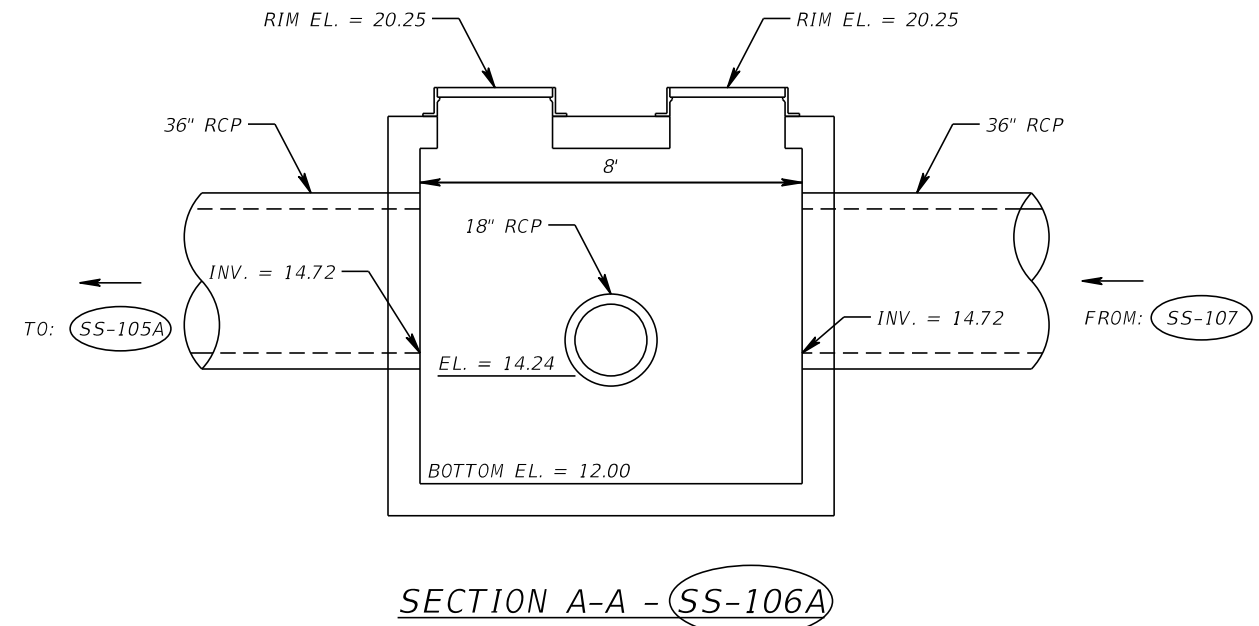
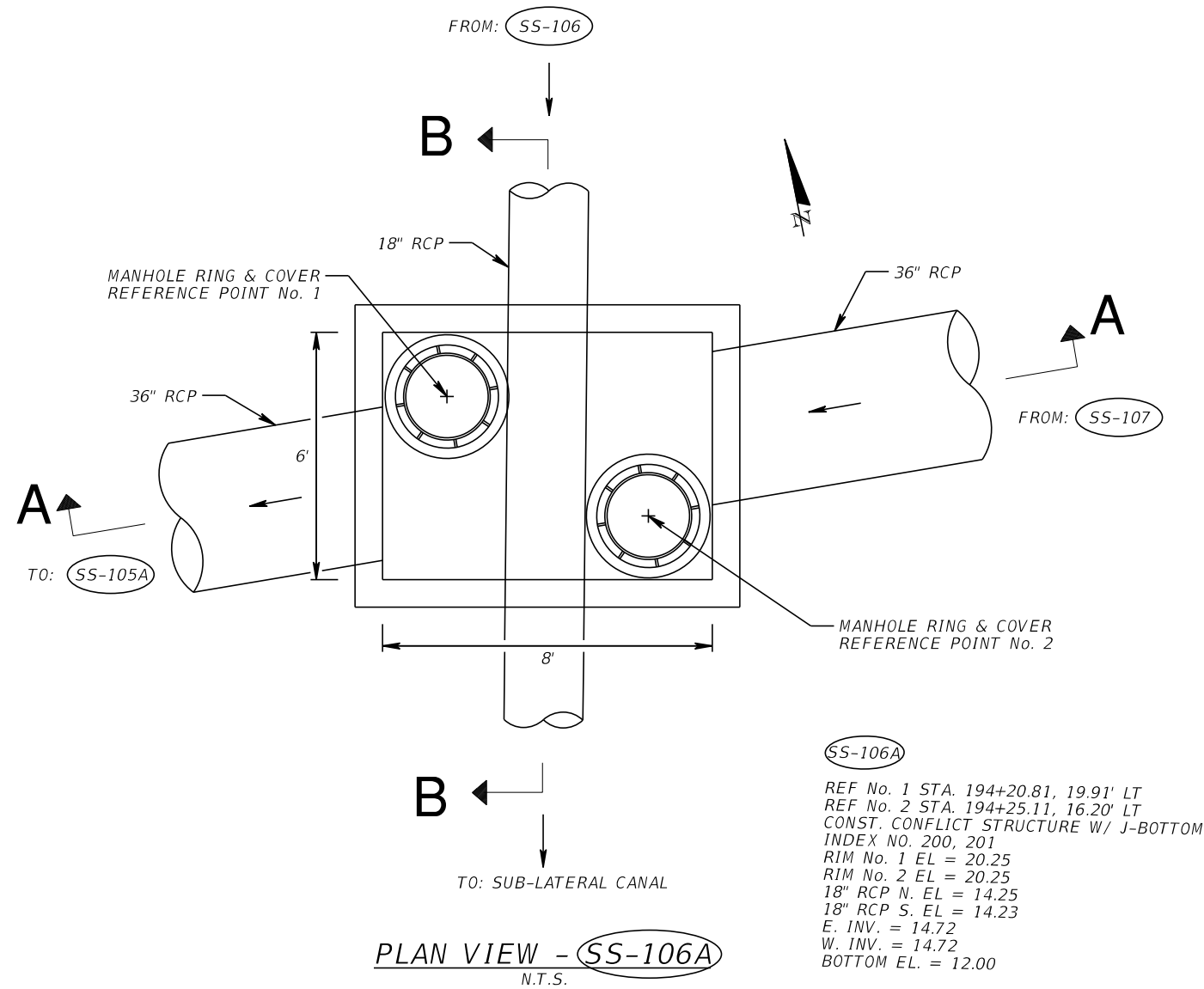
65st Street Bridge Revetment Details
N.T.S.

REVISIONS				
NO.	DESCRIPTION	DATE	BY	DESCRIPTION

Kimley»Horn
 BRIAN A. GOOD, P.E.
 P.E. LICENSE NUMBER 56939
 445 24th STREET, SUITE 200
 VERO BEACH, FL 32960
 (772) 794-4100
 CERTIFICATE OF AUTHORIZATION# 00000696

**INDIAN RIVER COUNTY
 BOARD OF COUNTY COMMISSIONERS**
 66th AVENUE ROADWAY WIDENING -
 PHASE IB 49th STREET TO 69th STREET

DRAINAGE DETAILS



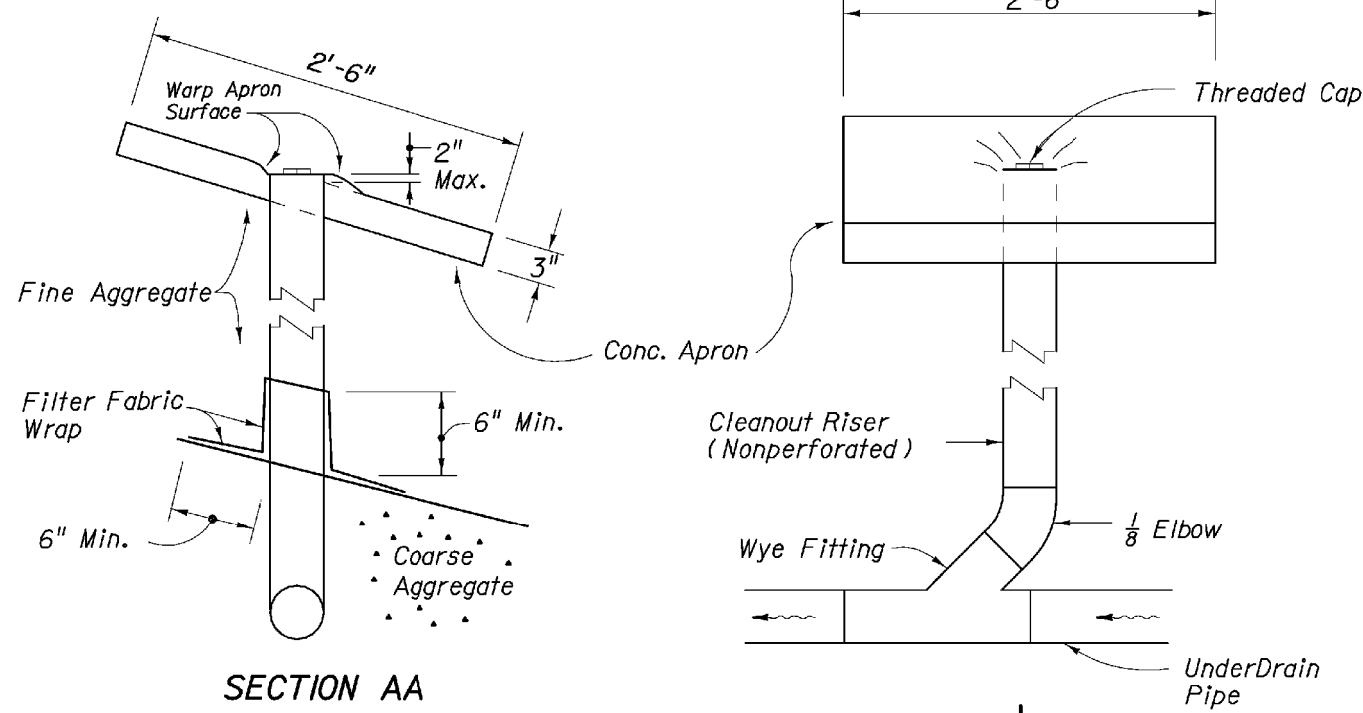
REVISIONS				
NO.	DESCRIPTION	DATE	BY	DESCRIPTION

Kimley»Horn
BRIAN A. GOOD, P.E.
P.E. LICENSE NUMBER 56939
445 24th STREET, SUITE 200
VERO BEACH, FL 32960
(772) 794-4100
CERTIFICATE OF AUTHORIZATION# 00000696

**INDIAN RIVER COUNTY
BOARD OF COUNTY COMMISSIONERS**
66th AVENUE ROADWAY WIDENING -
PHASE IB 49th STREET TO 69th STREET

DRAINAGE DETAILS

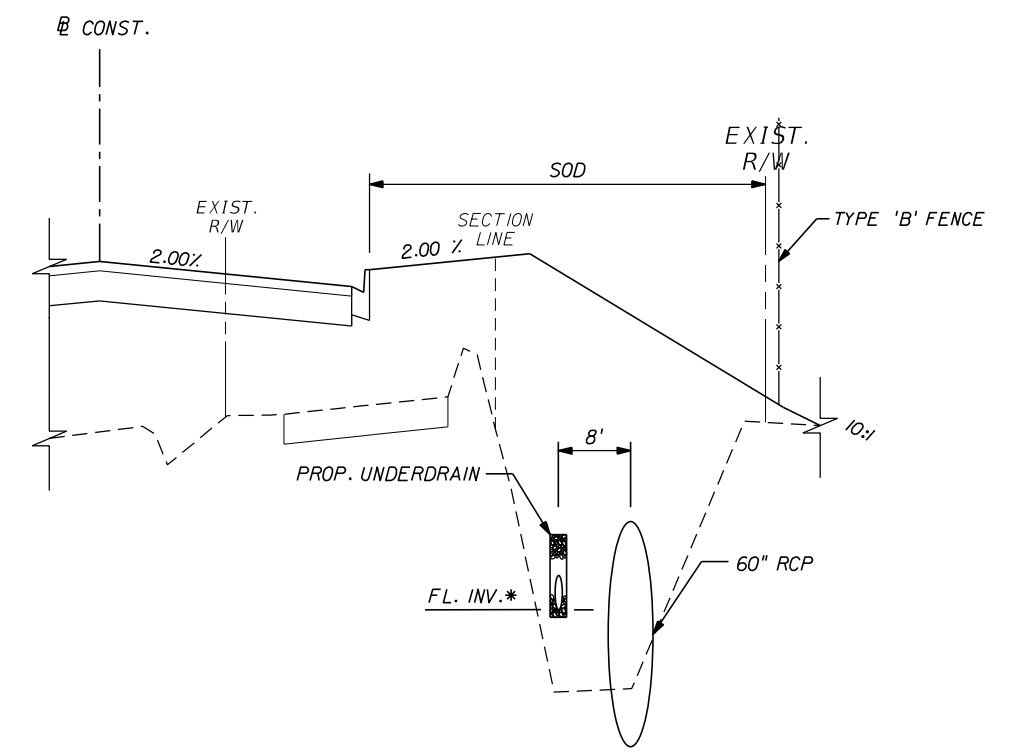
SHEET NO.
88C



SECTION AA

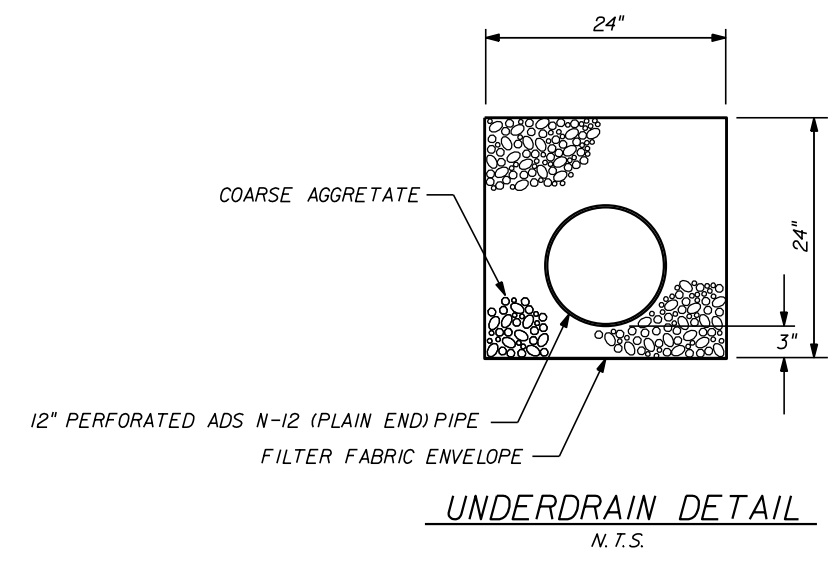
UNDERDRAIN CLEANOUT DETAIL
N.T.S.

NOTE: WYE FITTING TO CONSIST OF ADS DUAL WALL FABRICATED REDUCING WYE, 12" X 6"

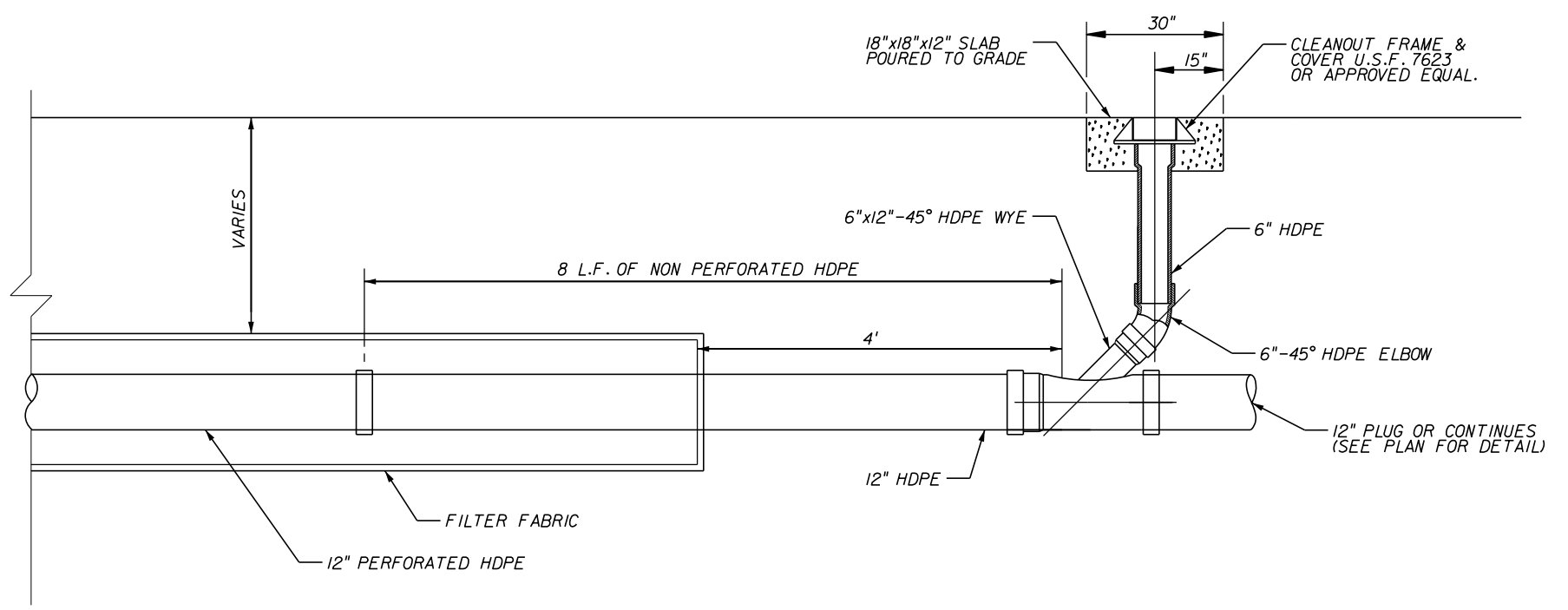


UNDERDRAIN PLACEMENT DETAIL
N.T.S.

* - REFER TO PLAN & PROFILE SHEETS AND CROSS SECTIONS FOR ADDITIONAL INFORMATION CONCERNING FL. INV., SIZE, AND LOCATION.



UNDERDRAIN DETAIL
N.T.S.



UNDERDRAIN CLEANOUT - PROFILE VIEW

REVISIONS				
NO.	DESCRIPTION	DATE	BY	DESCRIPTION

Kimley»Horn
 BRIAN A. GOOD, P.E.
 P.E. LICENSE NUMBER 56939
 445 24th STREET, SUITE 200
 VERO BEACH, FL 32960
 (772) 794-4100
 CERTIFICATE OF AUTHORIZATION# 00000696

**INDIAN RIVER COUNTY
 BOARD OF COUNTY COMMISSIONERS**
 66th AVENUE ROADWAY WIDENING -
 PHASE IB 49th STREET TO 69th STREET

DRAINAGE DETAILS

SHEET NO.
88D

DATE OF SURVEY: DECEMBER 2006
 SURVEY MADE BY: M. BAHIRADHAN
 SUBMITTED BY: M. BAHIRADHAN
 PROJECT No. 06-11-2352

ROAD NAME.: 66TH AVENUE ROADWAY WIDENING
 CITY: VERO BEACH
 COUNTY: INDIAN RIVER

CROSS SECTION SOIL SURVEY
 66TH AVENUE ROADWAY WIDENING

STRATUM NO.	ORGANIC CONTENT			SIEVE ANALYSIS						ATTERBERG LIMITS (%)			SOIL TYPE	
	NO. OF TESTS	% ORGANIC	% MOISTURE	NO. OF TESTS	% PASSING 10 MESH	% PASSING 40 MESH	% PASSING 60 MESH	% PASSING 100 MESH	% PASSING 200 MESH	NO. OF TESTS	LIQUID LIMIT	PLASTICITY INDEX	AASHTO GROUP	MATERIAL DESCRIPTION
1	3	-	1.7-5.7	3	-	-	-	-	1.9-3.1	-	-	-	A-3	Gray, black, orange, brown and white SAND (SP)
2	1	6.1	21.3	6	-	-	-	-	5.5-9.5	-	-	-	A-3	Gray, brown and black SAND with silt (SP-SM)
3	-	-	-	-	-	-	-	-	-	-	-	-	A-3	Gray and brown SAND with clay (SP-SC)
4	1	4.3	13.6	14	-	-	-	-	10.7-25.0	2	22-23	1	A-2-4	Gray and brown slightly silty to silty SAND (SP-SM/SM)
5	1	5.8	26.2	15	-	-	-	-	14.1-28.3	3	22-27	6-10	A-2-4	Gray, orange and brown clayey SAND (SC)
6	1	-	25.6	1	-	-	-	-	57.7	1	33	15	A-6	Gray and brown sandy CLAY (CL)
7**	-	-	-	-	-	-	-	-	-	-	-	-	A-4	Gray sandy SILT (ML)
8	4	3.5-12.9	10.6-24.9	4	-	-	-	-	9.7-12.4	-	-	-	A-2-4	Black slightly silty to silty SAND with organics (SP-SM/SM)

** - Stratum 7 soils were only encountered in bridge borings TB-6 and TB-7 below the depth of 37 feet,

GENERAL LEGEND

AASHTO - AMERICAN ASSOCIATION OF STATE
 HIGHWAY AND TRANSPORTATION OFFICIALS
 SOIL CLASSIFICATION SYSTEM (ASTM D 3282)

NOTES

- (1) Embankment construction shall be in accordance with FDOT Standard Index No. 505.
- (2) The materials from Strata Nos 1, 2, 3, 4 and 8 are considered "select" soils per Index No. 505.
- (3) The material from Strata No. 5, 6 and 7 are considered "plastic" per Index No. 505 and should be removed in accordance with Index 500, where the minimum separation between the bottom of the baserock and the top of the Strata 5, 6 and 7 clayey/silty soils is less than 24 inches.
- (4) Strata 5, 6 and 7 soils may be placed uniformly in the lower portion of the embankment (see Index No. 505) for some distances along the project rather than full depth for short distances.

REVISIONS						APPROVED BY :		ROADWAY SOIL SURVEY	
DATE	BY	DESCRIPTION	DATE	BY	DESCRIPTION	Chris L. Mings, P.E. FL REG. No. 61556		66TH AVENUE ROADWAY WIDENING INDIAN RIVER COUNTY, FL	
						DATE: 04-10-07			

REVISIONS				 BRIAN A. GOOD, P.E. P.E. LICENSE NUMBER 56939 445 24th STREET, SUITE 200 VERO BEACH, FL 32960 (772) 794-4100 CERTIFICATE OF AUTHORIZATION# 00000696	INDIAN RIVER COUNTY BOARD OF COUNTY COMMISSIONERS 66th AVENUE ROADWAY WIDENING - PHASE IB 49th STREET TO 69th STREET		ROADWAY SOIL SURVEY		SHEET NO.
DESCRIPTION	DATE	BY	DESCRIPTION						89

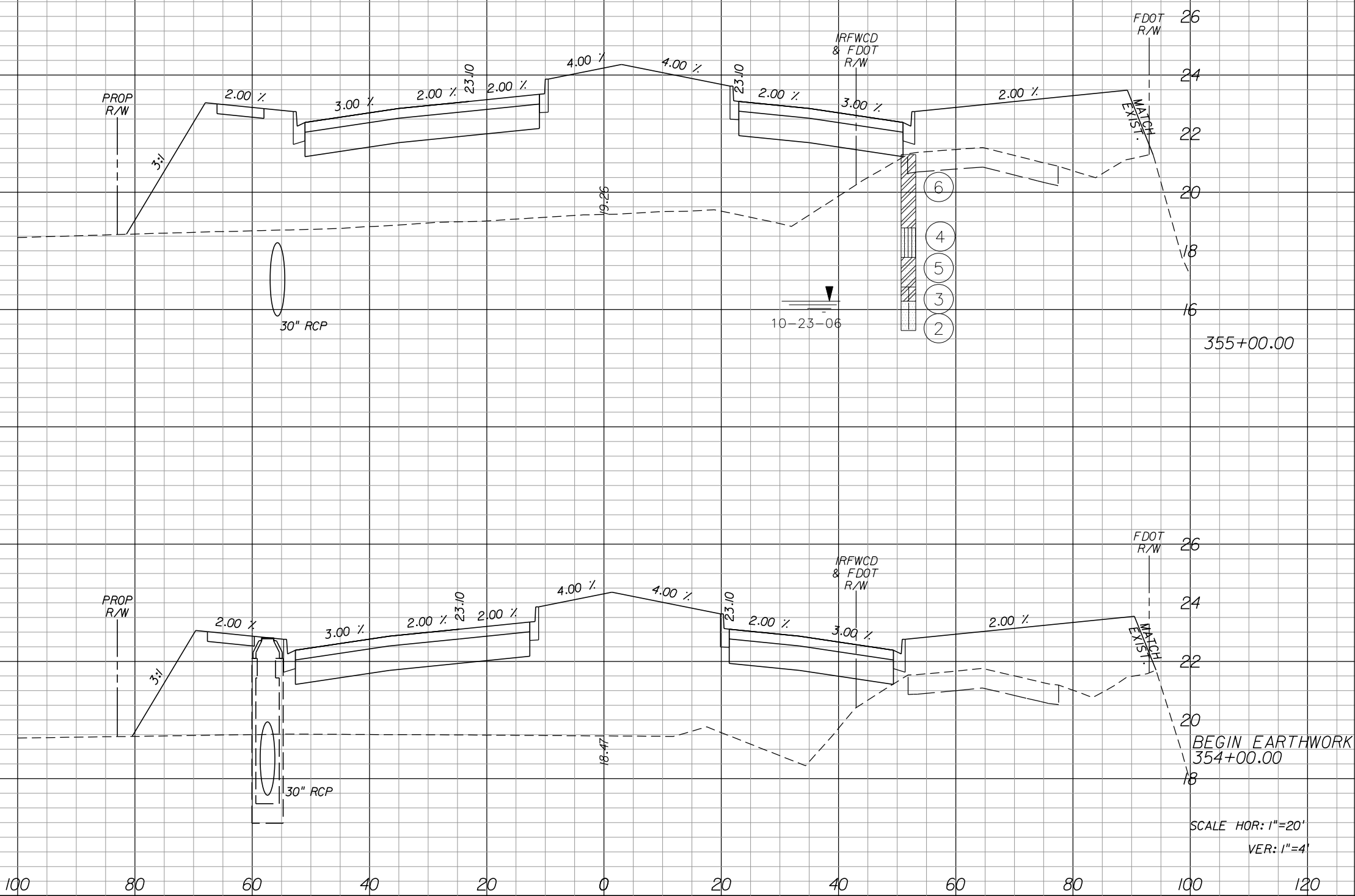
Regular Exc. Exc. Embankment Subsoil Exc.

A V A V A V

1505

IRCO Proj. No.

THE OFFICIAL RECORD OF THIS SHEET IS THE ELECTRONIC FILE DIGITALLY SIGNED AND SEALED UNDER RULE 61G15-23.004, F.A.C.



0.00	0.00	492.50	1727.17	0.00	0.00
0.00	0.00	440.17	0.00	0.00	0.00

REVISIONS					
DATE	BY	DESCRIPTION	DATE	BY	DESCRIPTION

Kimley»Horn
 BRIAN A. GOOD, P.E.
 P.E. LICENSE NUMBER 56939
 445 24th STREET, SUITE 200
 VERO BEACH, FL 32960
 (772) 794-4100
 CERTIFICATE OF AUTHORIZATION# 00000696

**INDIAN RIVER COUNTY
 BOARD OF COUNTY COMMISSIONERS**
**66th AVENUE ROADWAY WIDENING -
 PHASE IB 49th STREET TO 69th STREET**

**66th AVENUE
 CROSS SECTIONS**

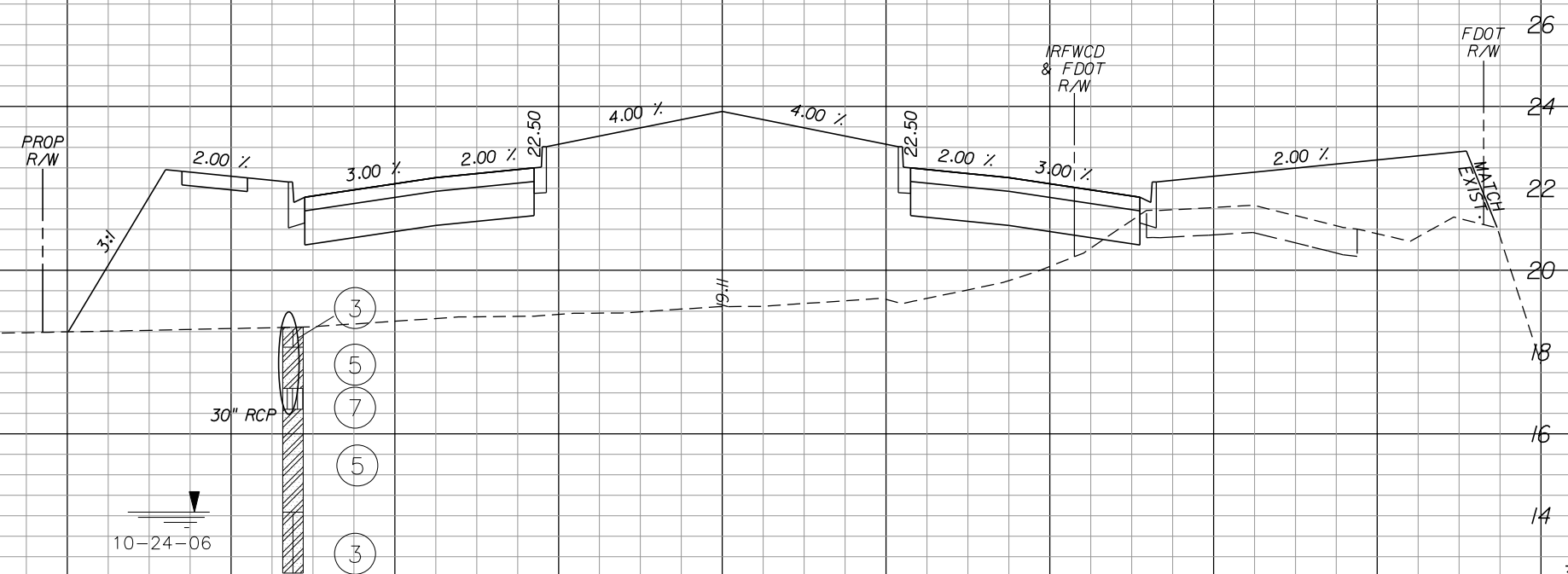
SHEET NO.
90

Regular Exc. Embankment Subsoil Exc.
 A V A V A V

1505

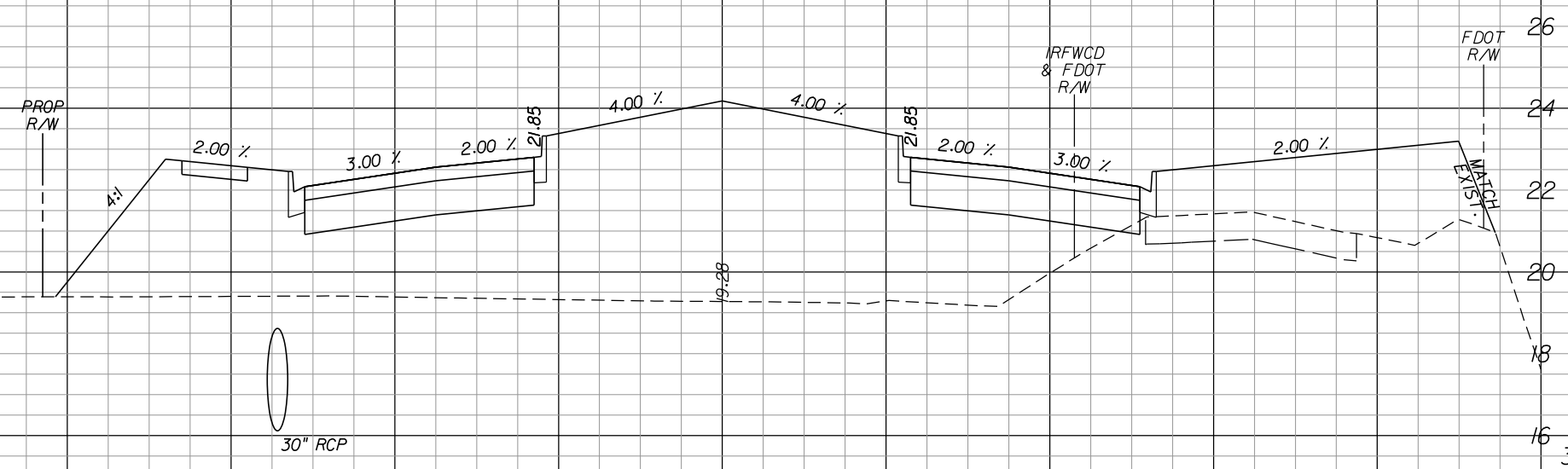
IRCO Proj. No.

THE OFFICIAL RECORD OF THIS SHEET IS THE ELECTRONIC FILE DIGITALLY SIGNED AND SEALED UNDER RULE 61G15-23.004, F.A.C.



357+00.00

2.35	5.11	418.00	1569.91	0.00	0.00
------	------	--------	---------	------	------



356+00.00

0.41	0.76	429.75	1707.87	0.00	0.00
------	------	--------	---------	------	------

SCALE HOR: 1"=20'
 VER: 1"=4'

100 80 60 40 20 0 20 40 60 80 100 120

REVISIONS					
DATE	BY	DESCRIPTION	DATE	BY	DESCRIPTION

Kimley»Horn
 BRIAN A. GOOD, P.E.
 P.E. LICENSE NUMBER 56939
 445 24th STREET, SUITE 200
 VERO BEACH, FL 32960
 (772) 794-4100
 CERTIFICATE OF AUTHORIZATION# 00000696

INDIAN RIVER COUNTY
BOARD OF COUNTY COMMISSIONERS
66th AVENUE ROADWAY WIDENING -
PHASE IB 49th STREET TO 69th STREET

66th AVENUE
CROSS SECTIONS

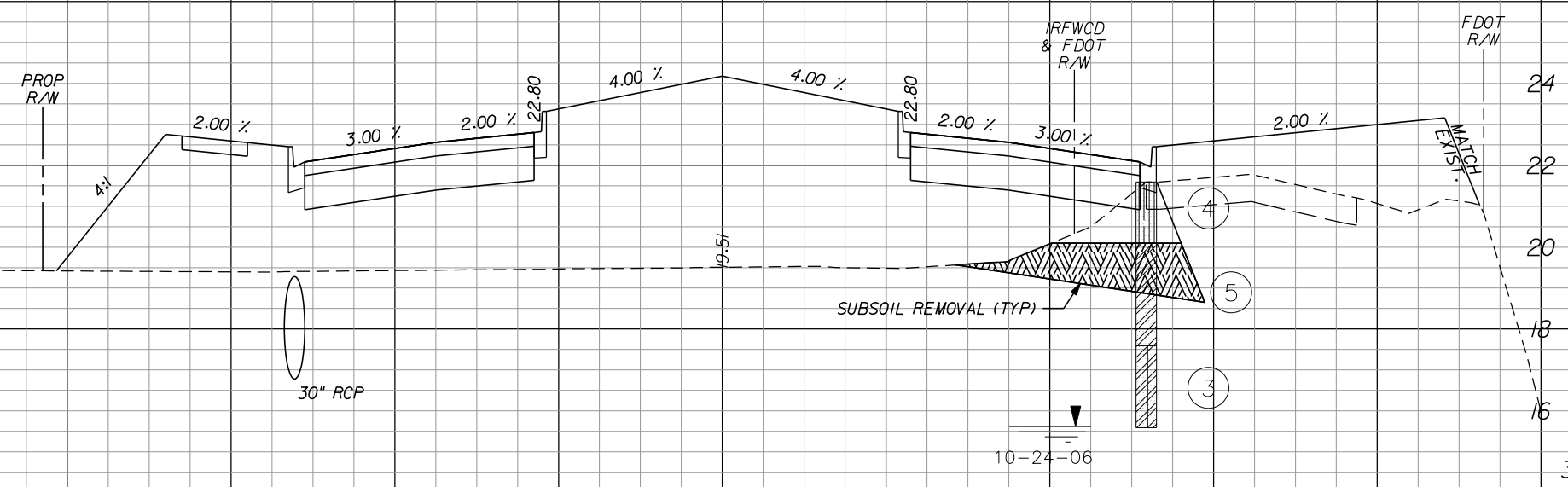
SHEET NO.
 91

Regular Exc.		Embankment		Subsoil Exc.	
A	V	A	V	A	V

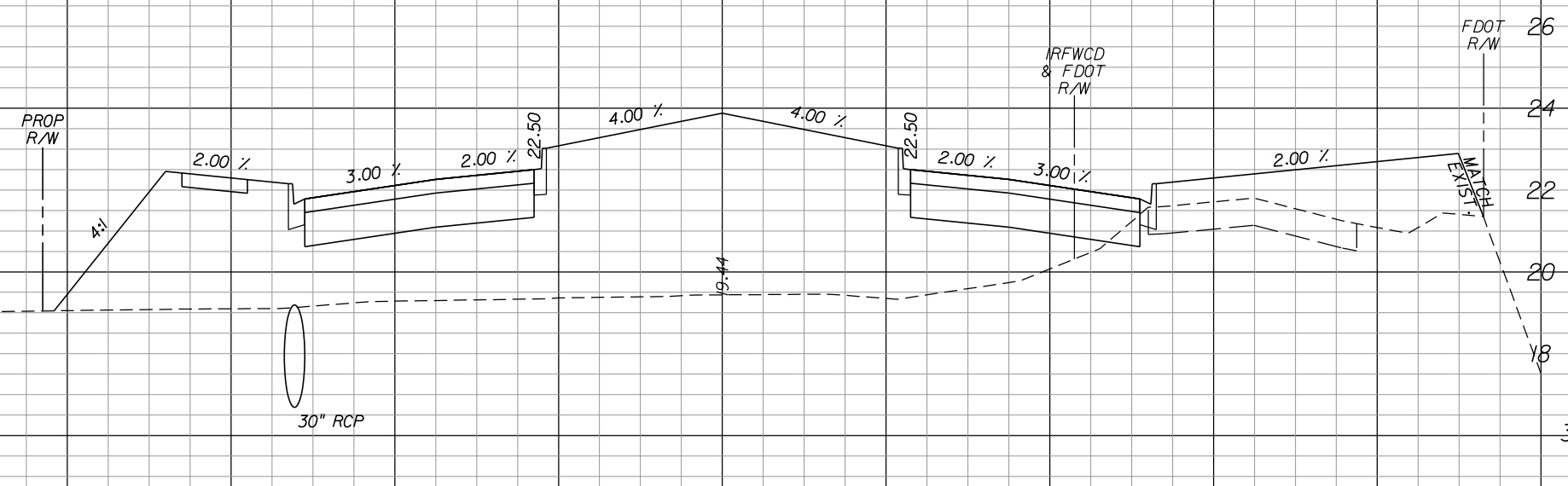
1505

IRCO Proj. No.

THE OFFICIAL RECORD OF THIS SHEET IS THE ELECTRONIC FILE DIGITALLY SIGNED AND SEALED UNDER RULE 61G15-23.004, F.A.C.



35.35	69.96	400.18	1427.93	23.72	43.93
-------	-------	--------	---------	-------	-------



2.43	8.85	370.90	1460.93	0.00	0.00
------	------	--------	---------	------	------

SCALE HOR: 1"=20'
VER: 1"=4'

100 80 60 40 20 0 20 40 60 80 100 120

REVISIONS					
DATE	BY	DESCRIPTION	DATE	BY	DESCRIPTION

Kimley»Horn
 BRIAN A. GOOD, P.E.
 P.E. LICENSE NUMBER 56939
 445 24th STREET, SUITE 200
 VERO BEACH, FL 32960
 (772) 794-4100
 CERTIFICATE OF AUTHORIZATION# 00000696

**INDIAN RIVER COUNTY
 BOARD OF COUNTY COMMISSIONERS**
**66th AVENUE ROADWAY WIDENING -
 PHASE IB 49th STREET TO 69th STREET**

**66th AVENUE
 CROSS SECTIONS**

SHEET NO.
92

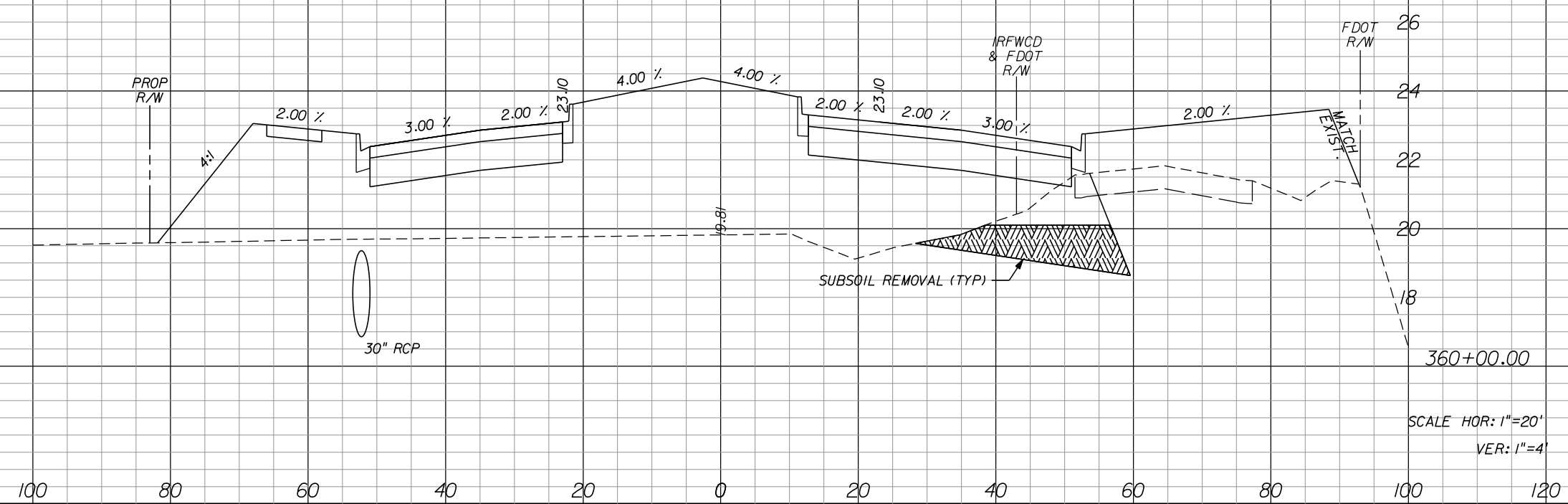
Regular Exc. Embankment Subsoil Exc.

A V A V A V

1505

IRCO Proj. No.

THE OFFICIAL RECORD OF THIS SHEET IS THE ELECTRONIC FILE DIGITALLY SIGNED AND SEALED UNDER RULE 61G15-23.004, F.A.C.



Regular Exc. A	Regular Exc. V	Embankment A	Embankment V	Subsoil Exc. A	Subsoil Exc. V
39.35	138.33	401.42	1484.44	25.86	91.81

SCALE HOR: 1"=20'
VER: 1"=4'

REVISIONS					
DATE	BY	DESCRIPTION	DATE	BY	DESCRIPTION

Kimley»Horn
 BRIAN A. GOOD, P.E.
 P.E. LICENSE NUMBER 56939
 445 24th STREET, SUITE 200
 VERO BEACH, FL 32960
 (772) 794-4100
 CERTIFICATE OF AUTHORIZATION# 00000696

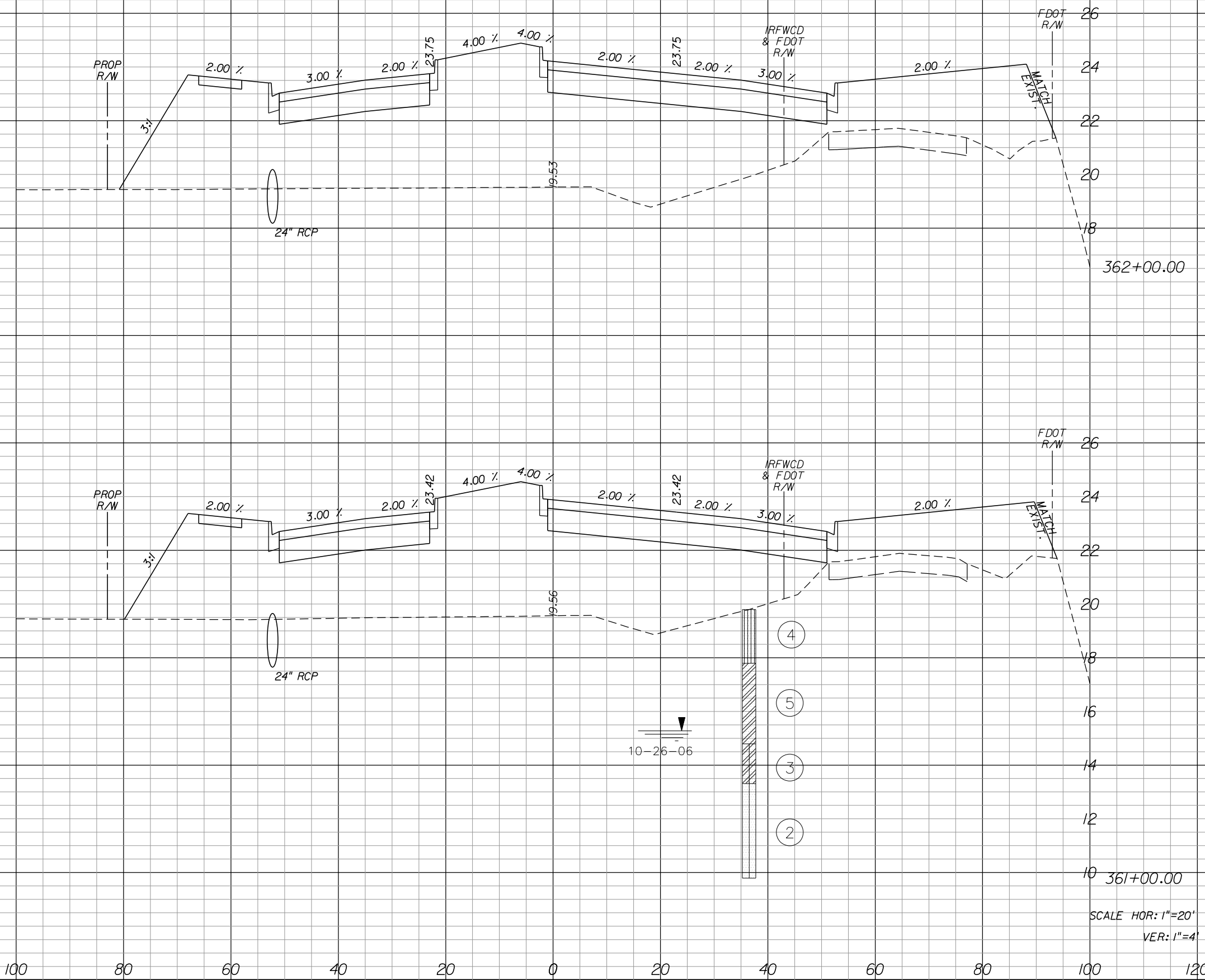
**INDIAN RIVER COUNTY
 BOARD OF COUNTY COMMISSIONERS**
**66th AVENUE ROADWAY WIDENING -
 PHASE IB 49th STREET TO 69th STREET**

**66th AVENUE
 CROSS SECTIONS**

SHEET NO.
93

Regular Exc. Embankment Subsoil Exc.

A V A V A V



0.00	0.00	512.43	1789.33	0.00	0.00
0.00	72.87	453.81	1583.76	0.00	47.89

SCALE HOR: 1"=20'
VER: 1"=4'

REVISIONS					
DATE	BY	DESCRIPTION	DATE	BY	DESCRIPTION

Kimley»Horn
 BRIAN A. GOOD, P.E.
 P.E. LICENSE NUMBER 56939
 445 24th STREET, SUITE 200
 VERO BEACH, FL 32960
 (772) 794-4100
 CERTIFICATE OF AUTHORIZATION# 00000696

**INDIAN RIVER COUNTY
 BOARD OF COUNTY COMMISSIONERS**
**66th AVENUE ROADWAY WIDENING -
 PHASE IB 49th STREET TO 69th STREET**

**66th AVENUE
 CROSS SECTIONS**

SHEET NO.
94

THE OFFICIAL RECORD OF THIS SHEET IS THE ELECTRONIC FILE DIGITALLY SIGNED AND SEALED UNDER RULE 61G15-23.004, F.A.C. **IRCO Proj. No. 1505**

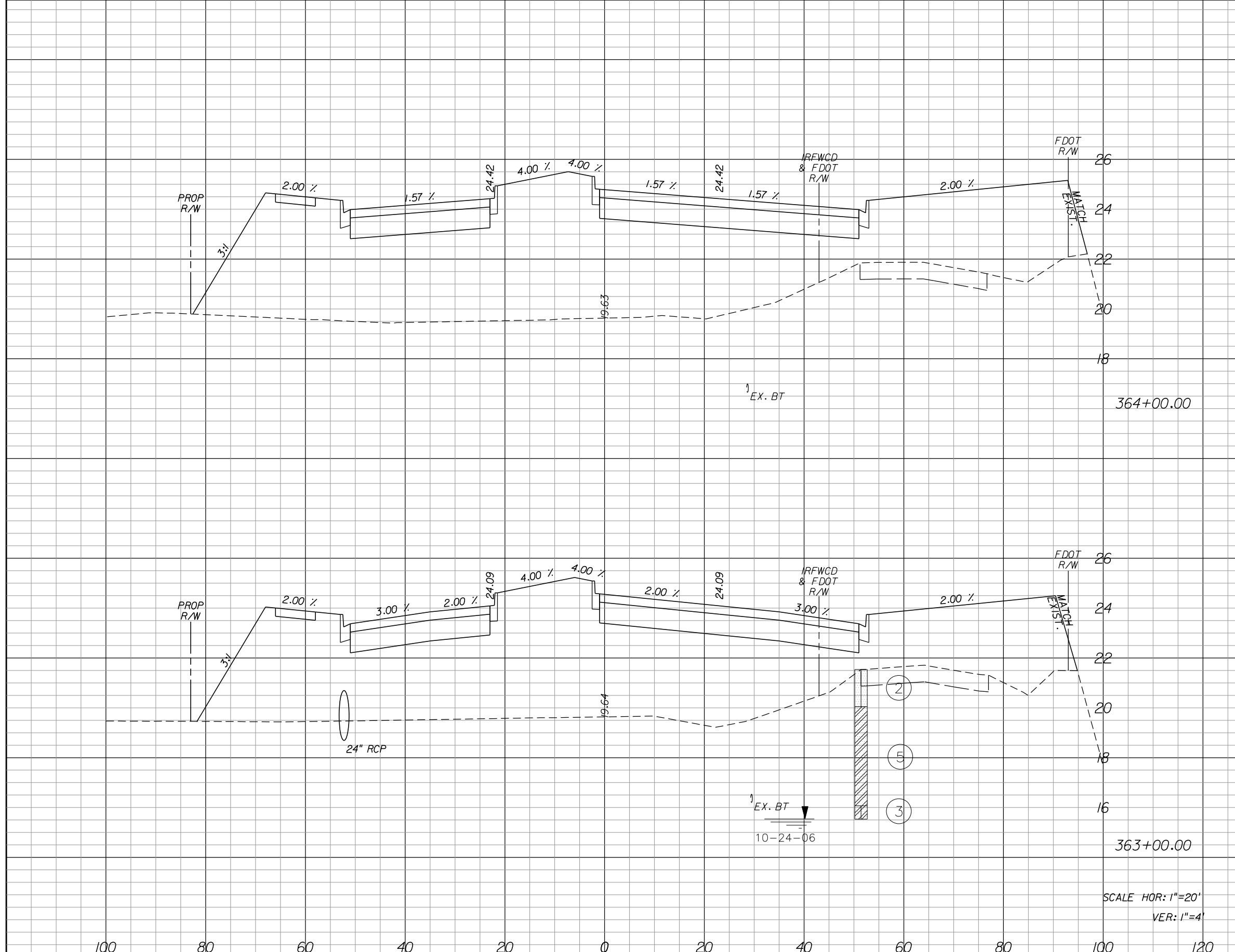
Regular Exc. Embankment Subsoil Exc.

A V A V A V

1505

IRCO Proj. No.

THE OFFICIAL RECORD OF THIS SHEET IS THE ELECTRONIC FILE DIGITALLY SIGNED AND SEALED UNDER RULE 61G15-23.004, F.A.C.



0.00	0.00	617.75	2182.87	0.00	0.00
------	------	--------	---------	------	------

0.00	0.00	561.00	1987.83	0.00	0.00
------	------	--------	---------	------	------

SCALE HOR: 1"=20'
VER: 1"=4'

REVISIONS					
DATE	BY	DESCRIPTION	DATE	BY	DESCRIPTION

Kimley»Horn
 BRIAN A. GOOD, P.E.
 P.E. LICENSE NUMBER 56939
 445 24th STREET, SUITE 200
 VERO BEACH, FL 32960
 (772) 794-4100
 CERTIFICATE OF AUTHORIZATION# 00000696

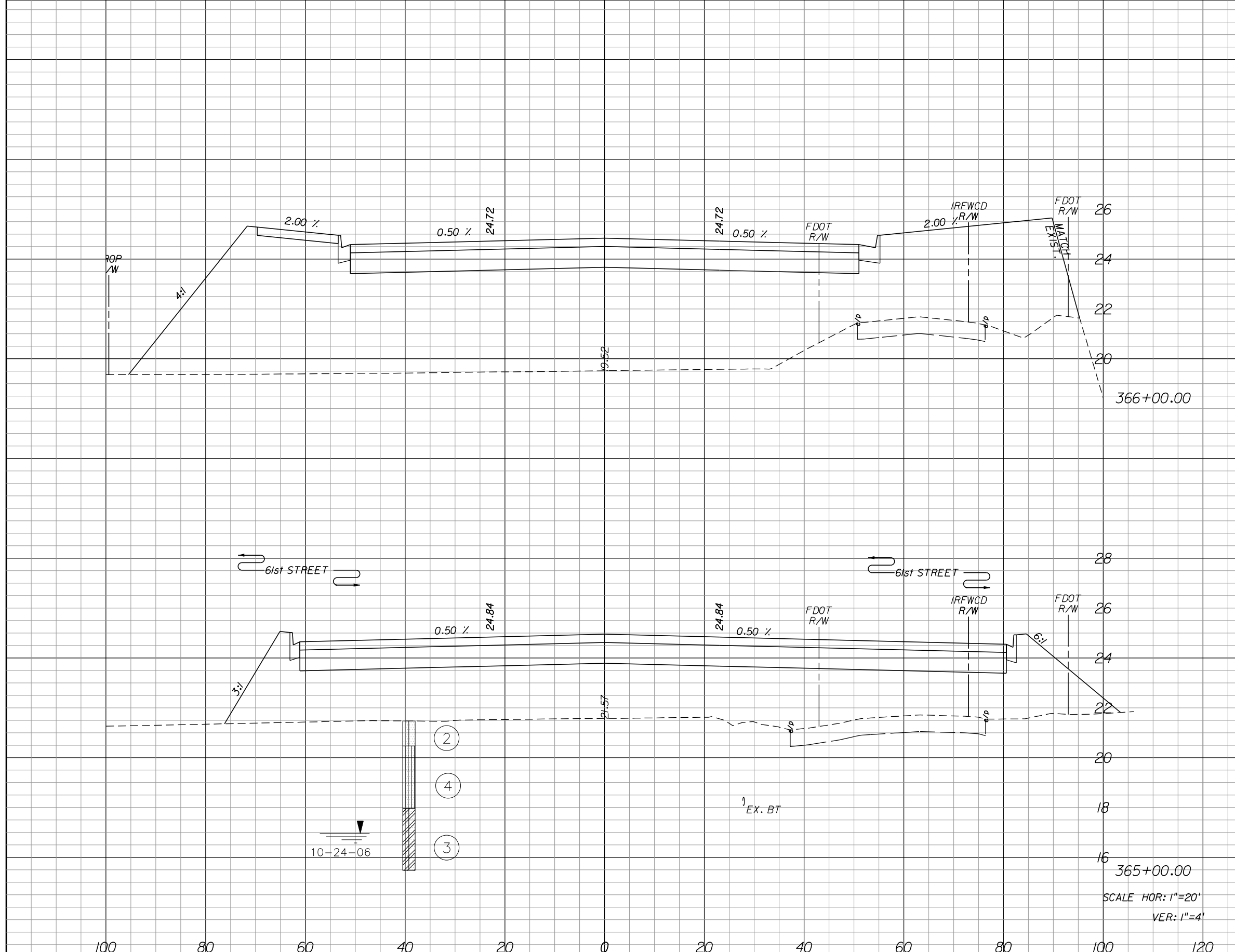
**INDIAN RIVER COUNTY
 BOARD OF COUNTY COMMISSIONERS**
**66th AVENUE ROADWAY WIDENING -
 PHASE IB 49th STREET TO 69th STREET**

**66th AVENUE
 CROSS SECTIONS**

SHEET NO.
95

Regular Exc.		Embankment		Subsoil Exc.	
A	V	A	V	A	V
0.00	0.00	710.26	2004.93	0.00	0.00
0.00	0.00	372.40	1833.61	0.00	0.00

I.R.CO. Proj. No. 1505
 THE OFFICIAL RECORD OF THIS SHEET IS THE ELECTRONIC FILE DIGITALLY SIGNED AND SEALED UNDER RULE 61G15-23.004, F.A.C.



REVISIONS					
DATE	BY	DESCRIPTION	DATE	BY	DESCRIPTION

Kimley»Horn
 BRIAN A. GOOD, P.E.
 P.E. LICENSE NUMBER 56939
 445 24th STREET, SUITE 200
 VERO BEACH, FL 32960
 (772) 794-4100
 CERTIFICATE OF AUTHORIZATION# 00000696

**INDIAN RIVER COUNTY
 BOARD OF COUNTY COMMISSIONERS**
**66th AVENUE ROADWAY WIDENING -
 PHASE IB 49th STREET TO 69th STREET**

**66th AVENUE
 CROSS SECTIONS**

SHEET NO.
96

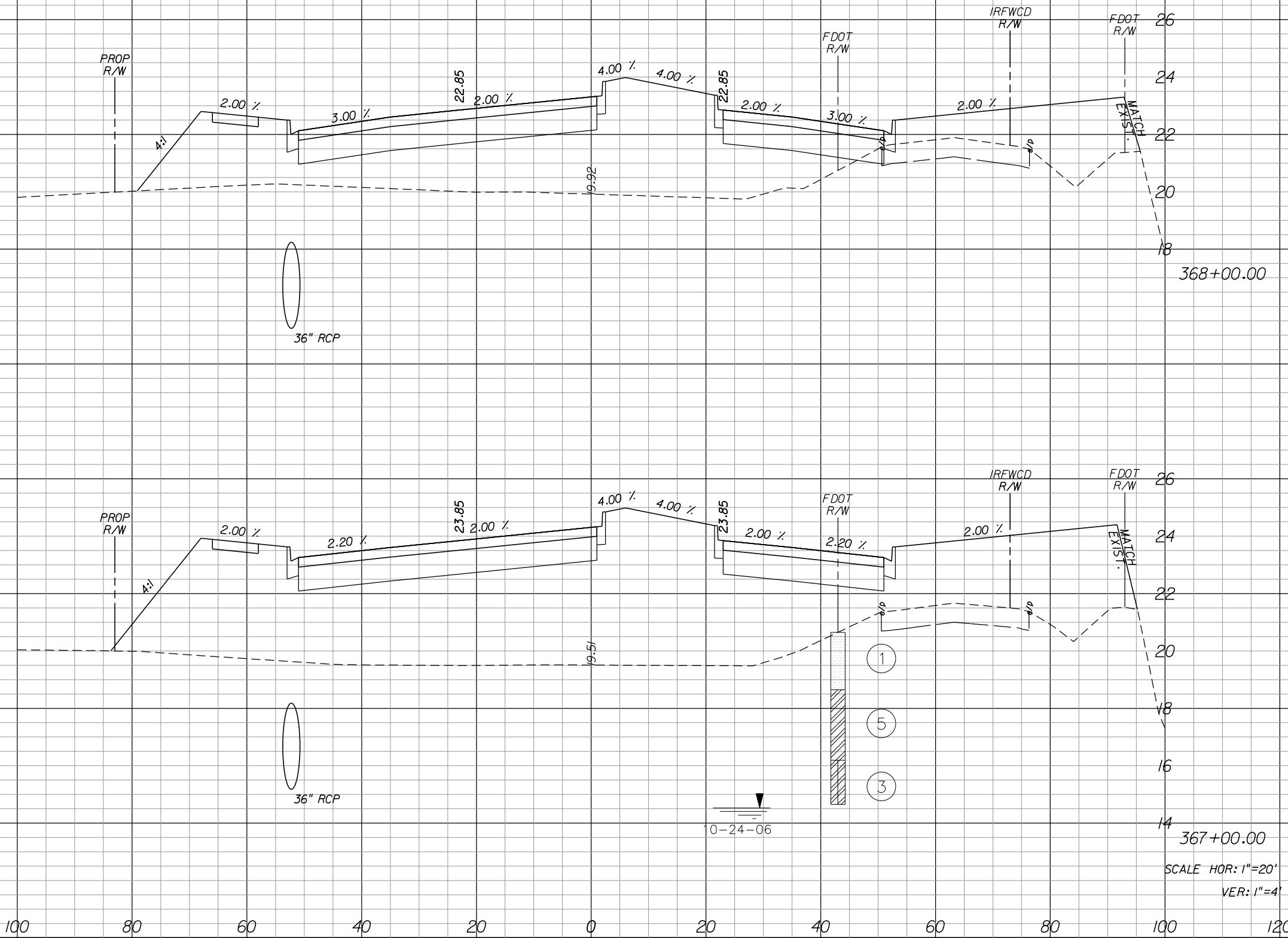
Regular Exc. Embankment Subsoil Exc.

A V A V A V

1505

IRCO Proj. No.

THE OFFICIAL RECORD OF THIS SHEET IS THE ELECTRONIC FILE DIGITALLY SIGNED AND SEALED UNDER RULE 61G15-23.004, F.A.C.



1.88	3.48	301.49	1541.74	0.00	0.00
0.00	0.00	531.05	2298.72	0.00	0.00

REVISIONS					
DATE	BY	DESCRIPTION	DATE	BY	DESCRIPTION

Kimley»Horn
 BRIAN A. GOOD, P.E.
 P.E. LICENSE NUMBER 56939
 445 24th STREET, SUITE 200
 VERO BEACH, FL 32960
 (772) 794-4100
 CERTIFICATE OF AUTHORIZATION# 00000696

INDIAN RIVER COUNTY
BOARD OF COUNTY COMMISSIONERS
66th AVENUE ROADWAY WIDENING -
PHASE IB 49th STREET TO 69th STREET

66th AVENUE
CROSS SECTIONS

SHEET NO.
97

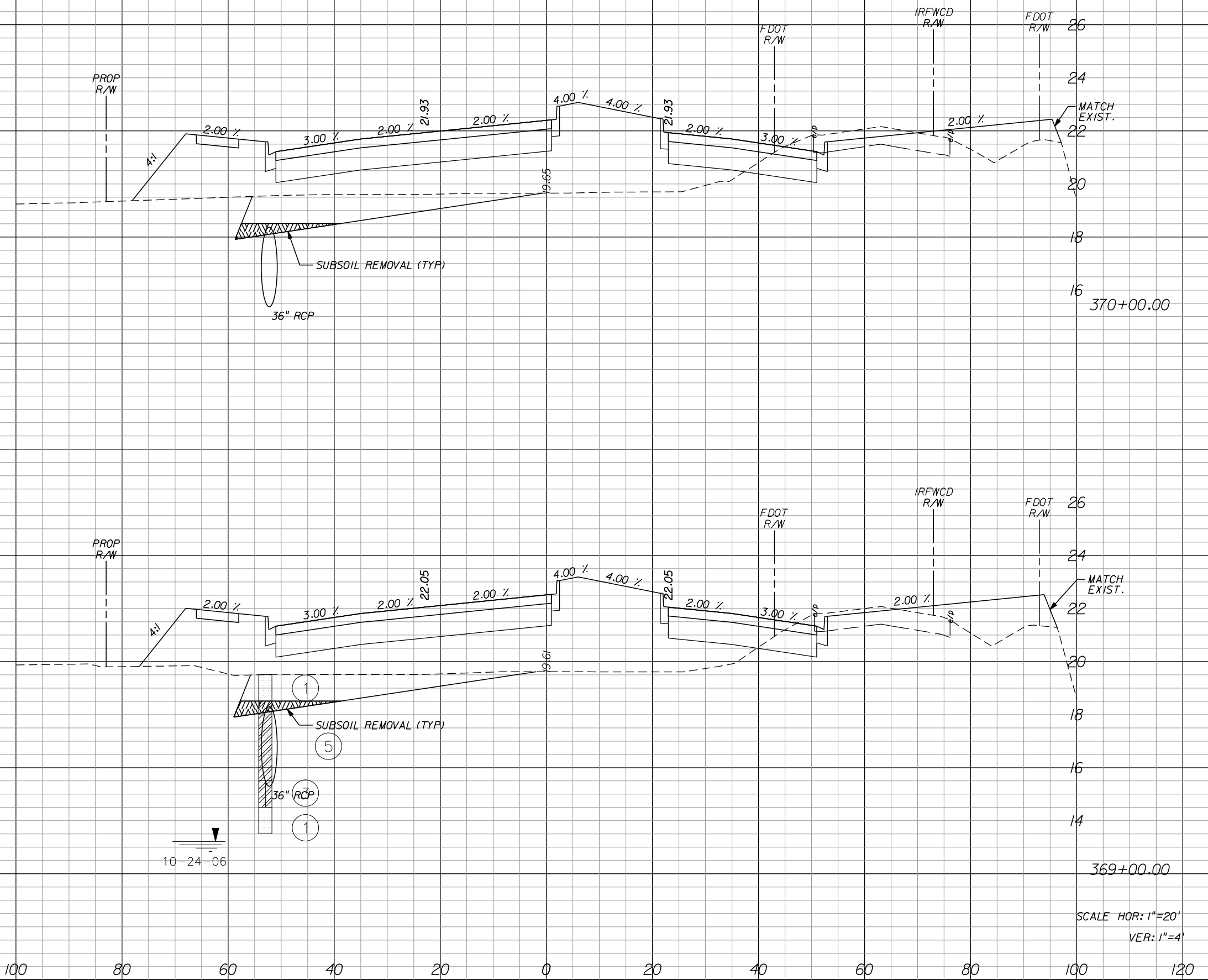
Regular Exc. Embankment Subsoil Exc.

A V A V A V

1505

IRCO Proj. No.

THE OFFICIAL RECORD OF THIS SHEET IS THE ELECTRONIC FILE DIGITALLY SIGNED AND SEALED UNDER RULE 61G15-23.004, F.A.C.



66.03	225.20	195.15	764.54	5.60	21.00
-------	--------	--------	--------	------	-------

55.58	106.41	217.70	961.46	5.74	10.63
-------	--------	--------	--------	------	-------

REVISIONS					
DATE	BY	DESCRIPTION	DATE	BY	DESCRIPTION

Kimley»Horn
 BRIAN A. GOOD, P.E.
 P.E. LICENSE NUMBER 56939
 445 24th STREET, SUITE 200
 VERO BEACH, FL 32960
 (772) 794-4100
 CERTIFICATE OF AUTHORIZATION# 00000696

**INDIAN RIVER COUNTY
 BOARD OF COUNTY COMMISSIONERS**
**66th AVENUE ROADWAY WIDENING -
 PHASE IB 49th STREET TO 69th STREET**

**66th AVENUE
 CROSS SECTIONS**

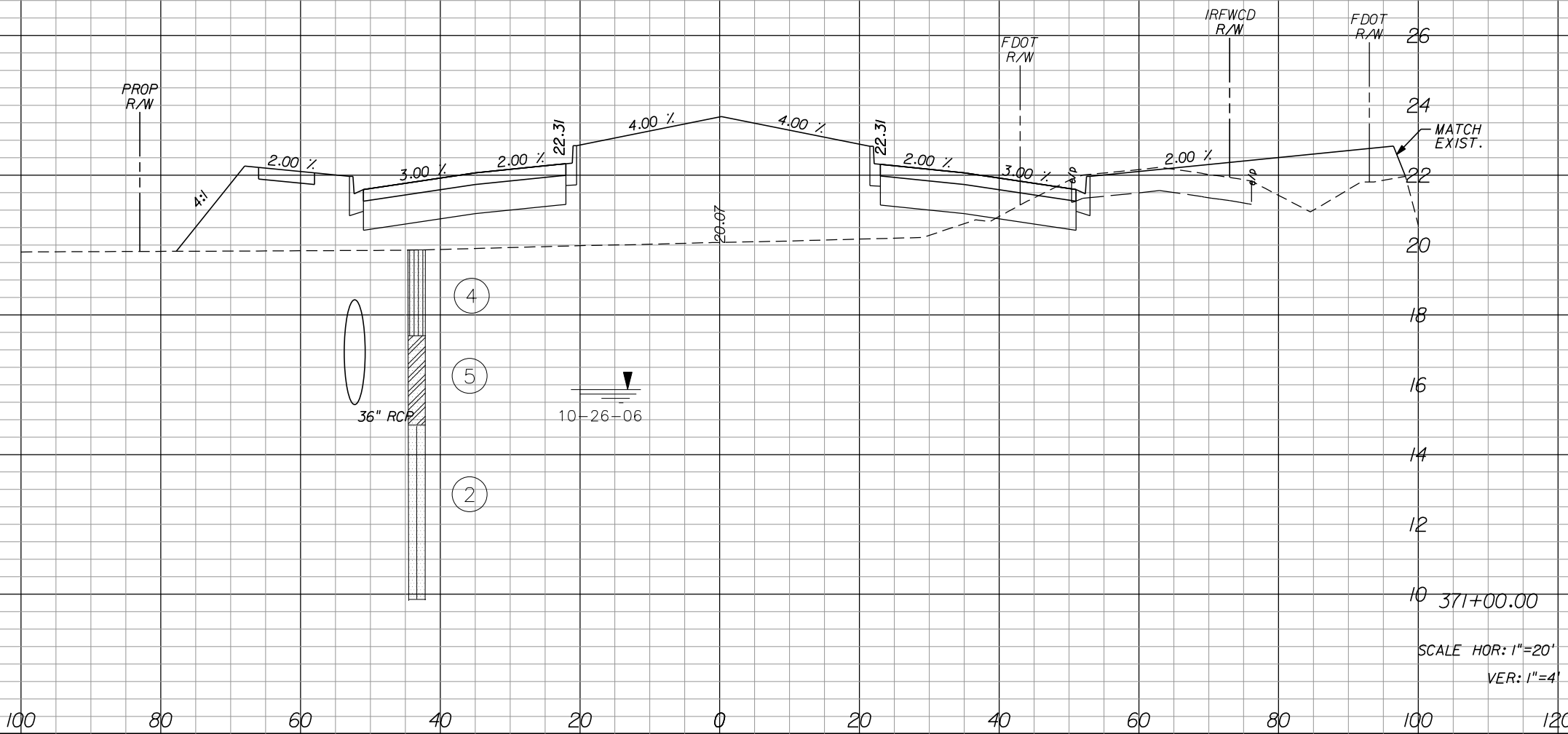
SHEET NO.
98

Regular Exc.		Embankment		Subsoil Exc.	
A	V	A	V	A	V

1505

IRCO Proj. No.

THE OFFICIAL RECORD OF THIS SHEET IS THE ELECTRONIC FILE DIGITALLY SIGNED AND SEALED UNDER RULE 61G15-23.004, F.A.C.



11.68	143.91	247.12	819.02	0.00	10.37
-------	--------	--------	--------	------	-------

REVISIONS					
DATE	BY	DESCRIPTION	DATE	BY	DESCRIPTION

Kimley»Horn
 BRIAN A. GOOD, P.E.
 P.E. LICENSE NUMBER 56939
 445 24th STREET, SUITE 200
 VERO BEACH, FL 32960
 (772) 794-4100
 CERTIFICATE OF AUTHORIZATION# 00000696

**INDIAN RIVER COUNTY
 BOARD OF COUNTY COMMISSIONERS**
**66th AVENUE ROADWAY WIDENING -
 PHASE IB 49th STREET TO 69th STREET**

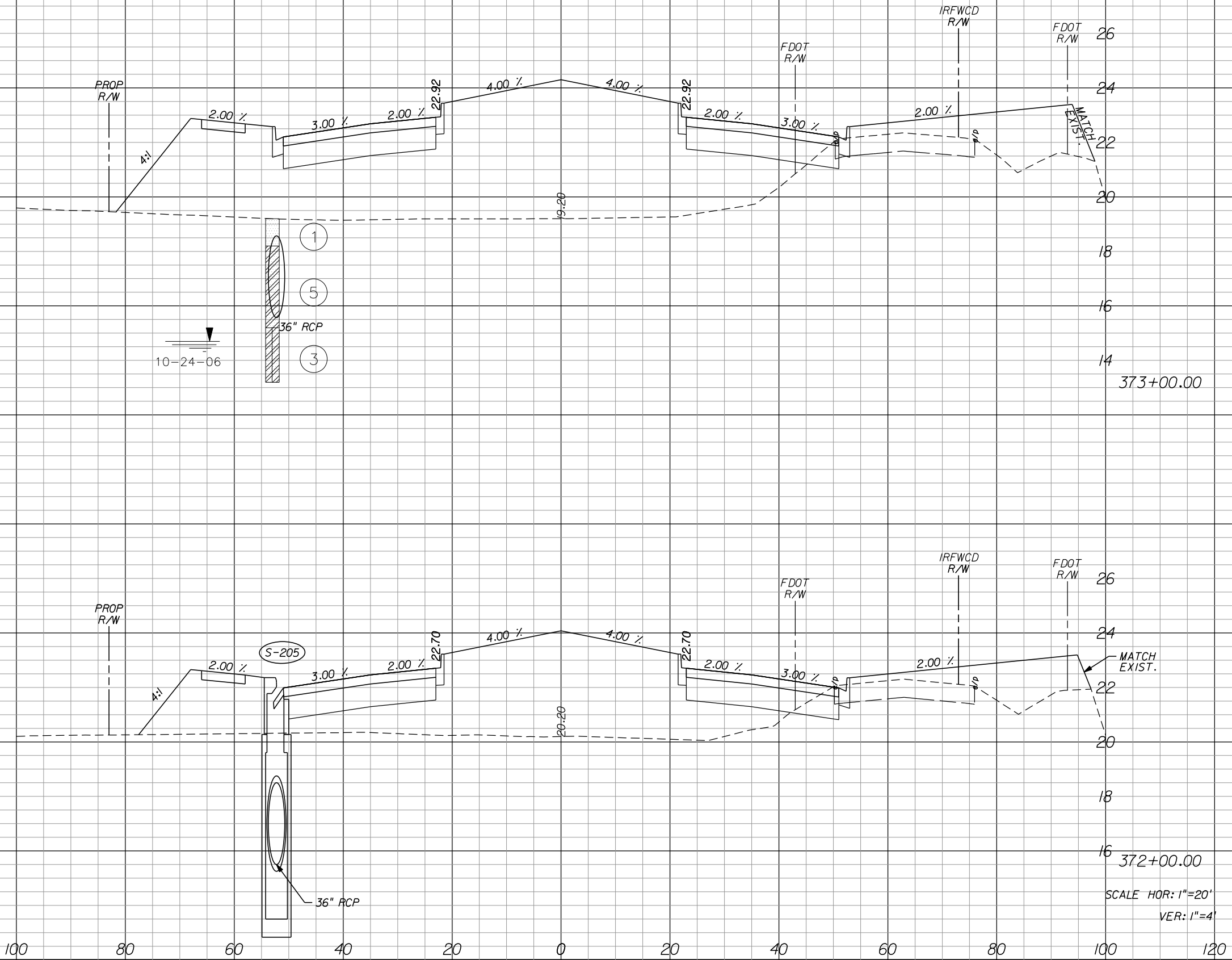
**66th AVENUE
 CROSS SECTIONS**

SHEET NO.
99

Regular Exc.		Embankment		Subsoil Exc.	
A	V	A	V	A	V

THE OFFICIAL RECORD OF THIS SHEET IS THE ELECTRONIC FILE DIGITALLY SIGNED AND SEALED UNDER RULE 61G15-23.004, F.A.C.

IRCO Proj. No. 1505



4.53	22.19	430.77	1307.98	0.00	0.00
7.45	35.43	275.54	967.89	0.00	0.00

REVISIONS					
DATE	BY	DESCRIPTION	DATE	BY	DESCRIPTION

Kimley»Horn
 BRIAN A. GOOD, P.E.
 P.E. LICENSE NUMBER 56939
 445 24th STREET, SUITE 200
 VERO BEACH, FL 32960
 (772) 794-4100
 CERTIFICATE OF AUTHORIZATION# 00000696

**INDIAN RIVER COUNTY
 BOARD OF COUNTY COMMISSIONERS**
**66th AVENUE ROADWAY WIDENING -
 PHASE IB 49th STREET TO 69th STREET**

**66th AVENUE
 CROSS SECTIONS**

SHEET NO.
100

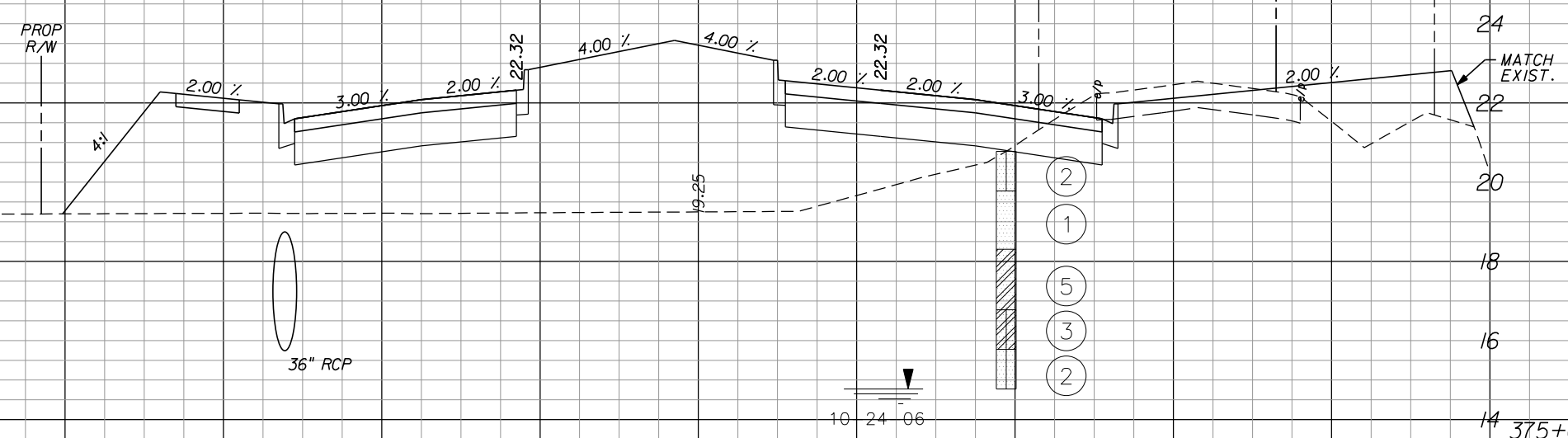
Regular Exc. Embankment Subsoil Exc.

A V A V A V

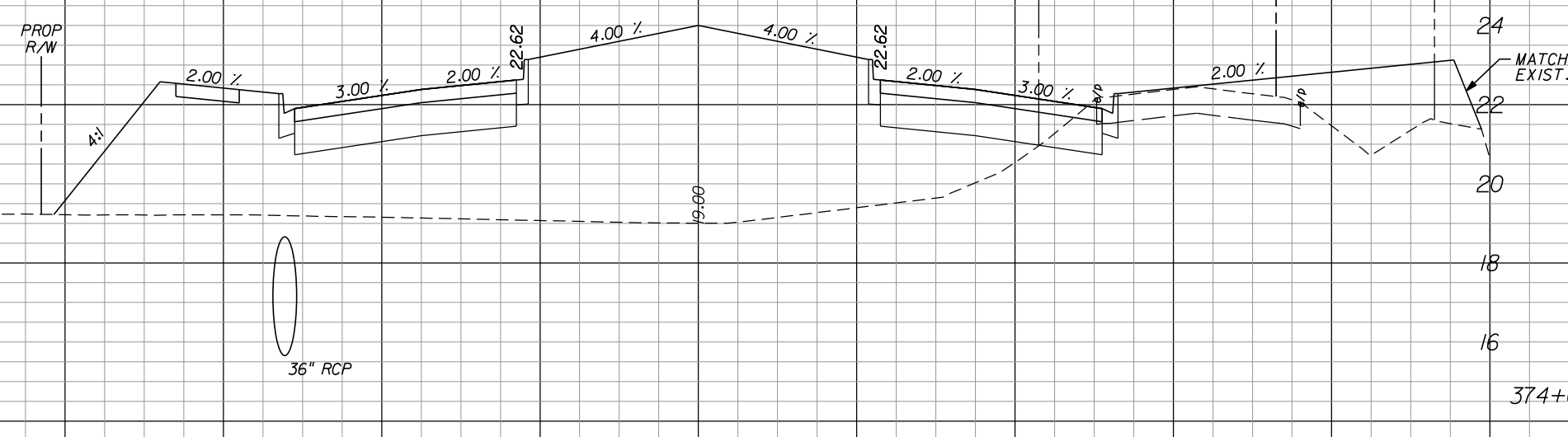
1505

IRCO Proj. No.

THE OFFICIAL RECORD OF THIS SHEET IS THE ELECTRONIC FILE DIGITALLY SIGNED AND SEALED UNDER RULE 61G15-23.004, F.A.C.



18.92	49.76	296.78	1269.63	0.00	0.00
-------	-------	--------	---------	------	------



7.95	23.11	388.82	1517.76	0.00	0.00
------	-------	--------	---------	------	------

SCALE HOR: 1"=20'
VER: 1"=4'

100 80 60 40 20 0 20 40 60 80 100 120

REVISIONS					
DATE	BY	DESCRIPTION	DATE	BY	DESCRIPTION

Kimley»Horn
 BRIAN A. GOOD, P.E.
 P.E. LICENSE NUMBER 56939
 445 24th STREET, SUITE 200
 VERO BEACH, FL 32960
 (772) 794-4100
 CERTIFICATE OF AUTHORIZATION# 00000696

INDIAN RIVER COUNTY
BOARD OF COUNTY COMMISSIONERS
66th AVENUE ROADWAY WIDENING -
PHASE IB 49th STREET TO 69th STREET

66th AVENUE
CROSS SECTIONS

SHEET NO.
101

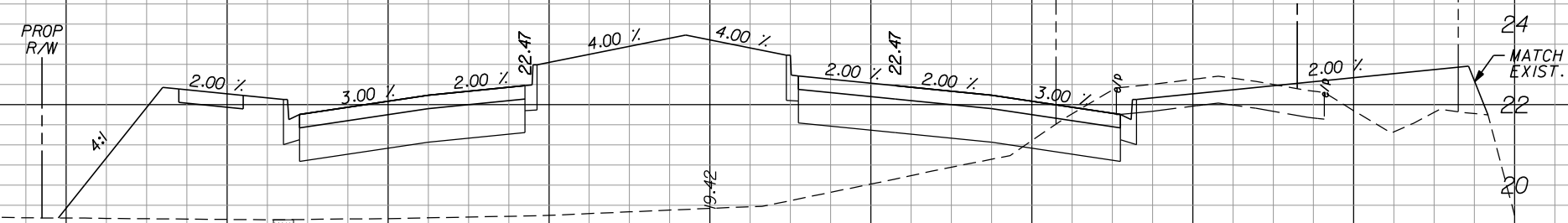
Regular Exc. Embankment Subsoil Exc.

A V A V A V

1505

IRCO Proj. No.

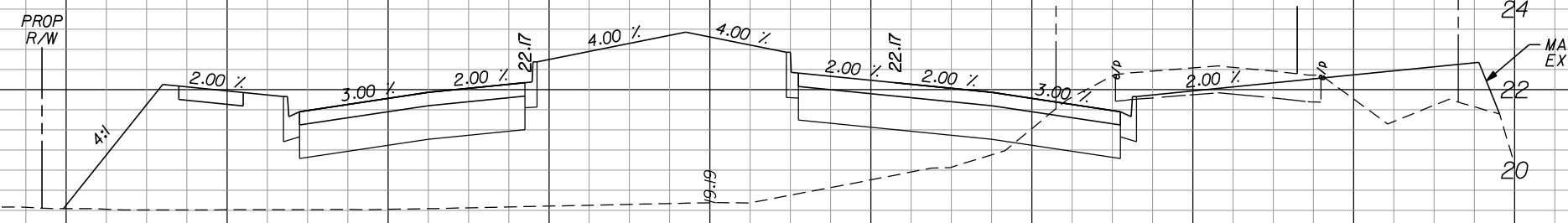
THE OFFICIAL RECORD OF THIS SHEET IS THE ELECTRONIC FILE DIGITALLY SIGNED AND SEALED UNDER RULE 61G15-23.004, F.A.C.



10-24-06

377+00.00

19.57	89.11	300.74	1084.07	0.00	0.00
-------	-------	--------	---------	------	------



376+00.00

28.55	87.91	284.66	1076.74	0.00	0.00
-------	-------	--------	---------	------	------

SCALE HOR: 1"=20'
VER: 1"=4'

100 80 60 40 20 0 20 40 60 80 100 120

REVISIONS					
DATE	BY	DESCRIPTION	DATE	BY	DESCRIPTION

Kimley»Horn
BRIAN A. GOOD, P.E.
 P.E. LICENSE NUMBER 56939
 445 24th STREET, SUITE 200
 VERO BEACH, FL 32960
 (772) 794-4100
 CERTIFICATE OF AUTHORIZATION# 00000696

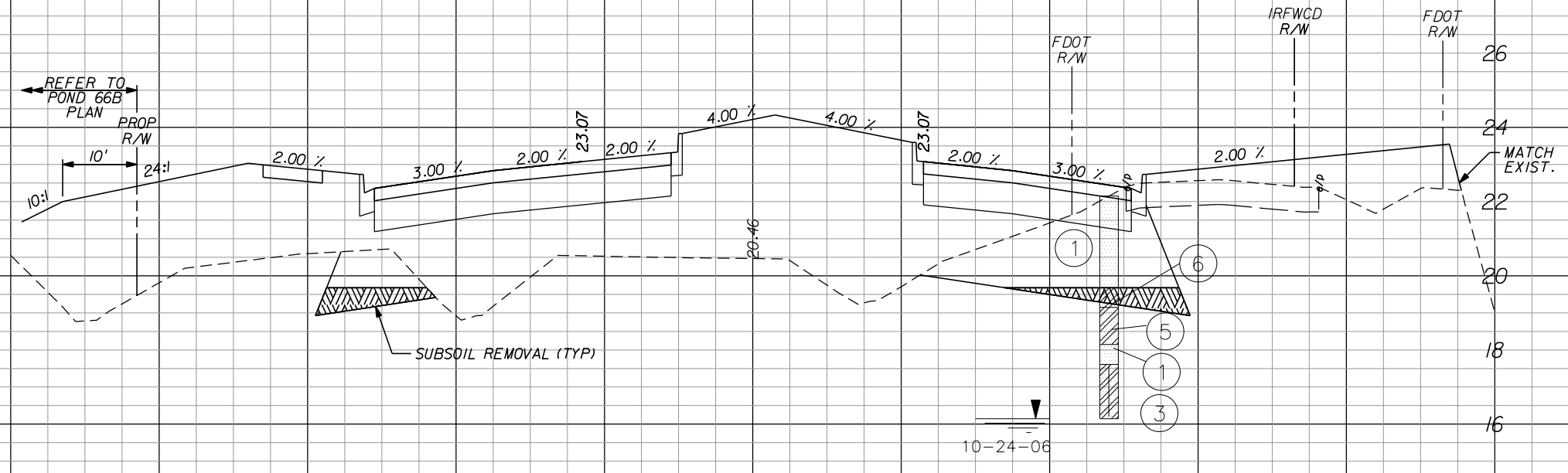
**INDIAN RIVER COUNTY
 BOARD OF COUNTY COMMISSIONERS**
**66th AVENUE ROADWAY WIDENING -
 PHASE IB 49th STREET TO 69th STREET**

**66th AVENUE
 CROSS SECTIONS**

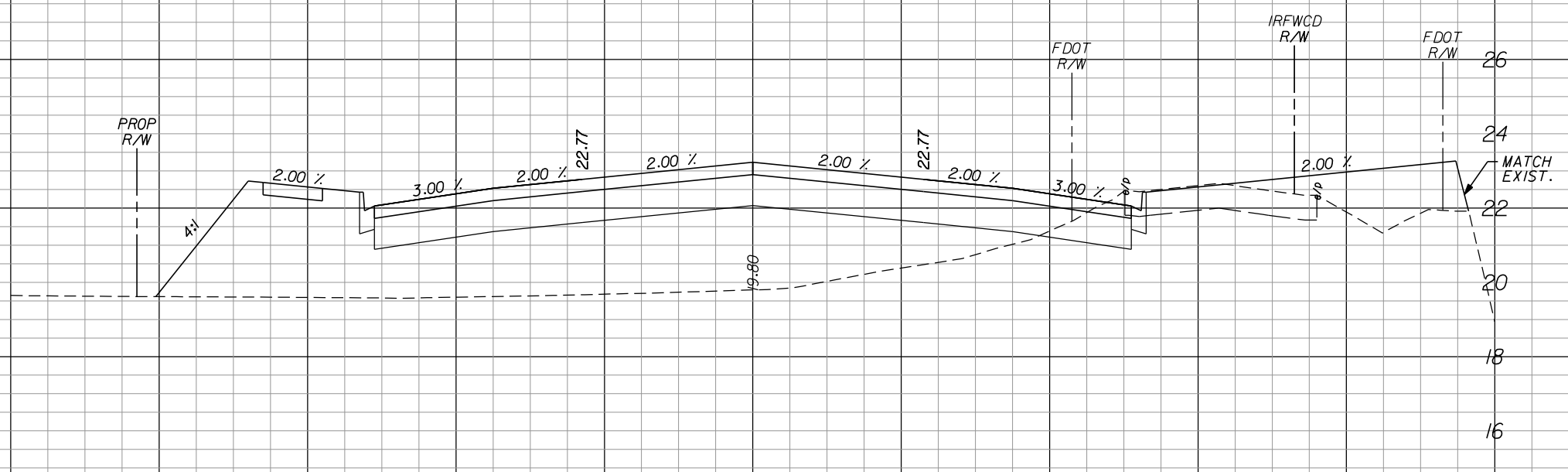
SHEET NO.
102

Regular Exc. A V Embankment A V Subsoil Exc. A V

IRCO Proj. No. 1505
THE OFFICIAL RECORD OF THIS SHEET IS THE ELECTRONIC FILE DIGITALLY SIGNED AND SEALED UNDER RULE 61G15-23.004, F.A.C.



78.87	168.85	361.81	1108.91	16.26	30.11
-------	--------	--------	---------	-------	-------



12.31	59.04	237.00	995.81	0.00	0.00
-------	-------	--------	--------	------	------

SCALE HOR: 1"=20'
VER: 1"=4'

REVISIONS					
DATE	BY	DESCRIPTION	DATE	BY	DESCRIPTION

Kimley»Horn
 BRIAN A. GOOD, P.E.
 P.E. LICENSE NUMBER 56939
 445 24th STREET, SUITE 200
 VERO BEACH, FL 32960
 (772) 794-4100
 CERTIFICATE OF AUTHORIZATION# 00000696

**INDIAN RIVER COUNTY
 BOARD OF COUNTY COMMISSIONERS**
**66th AVENUE ROADWAY WIDENING -
 PHASE IB 49th STREET TO 69th STREET**

**66th AVENUE
 CROSS SECTIONS**

SHEET NO. 103

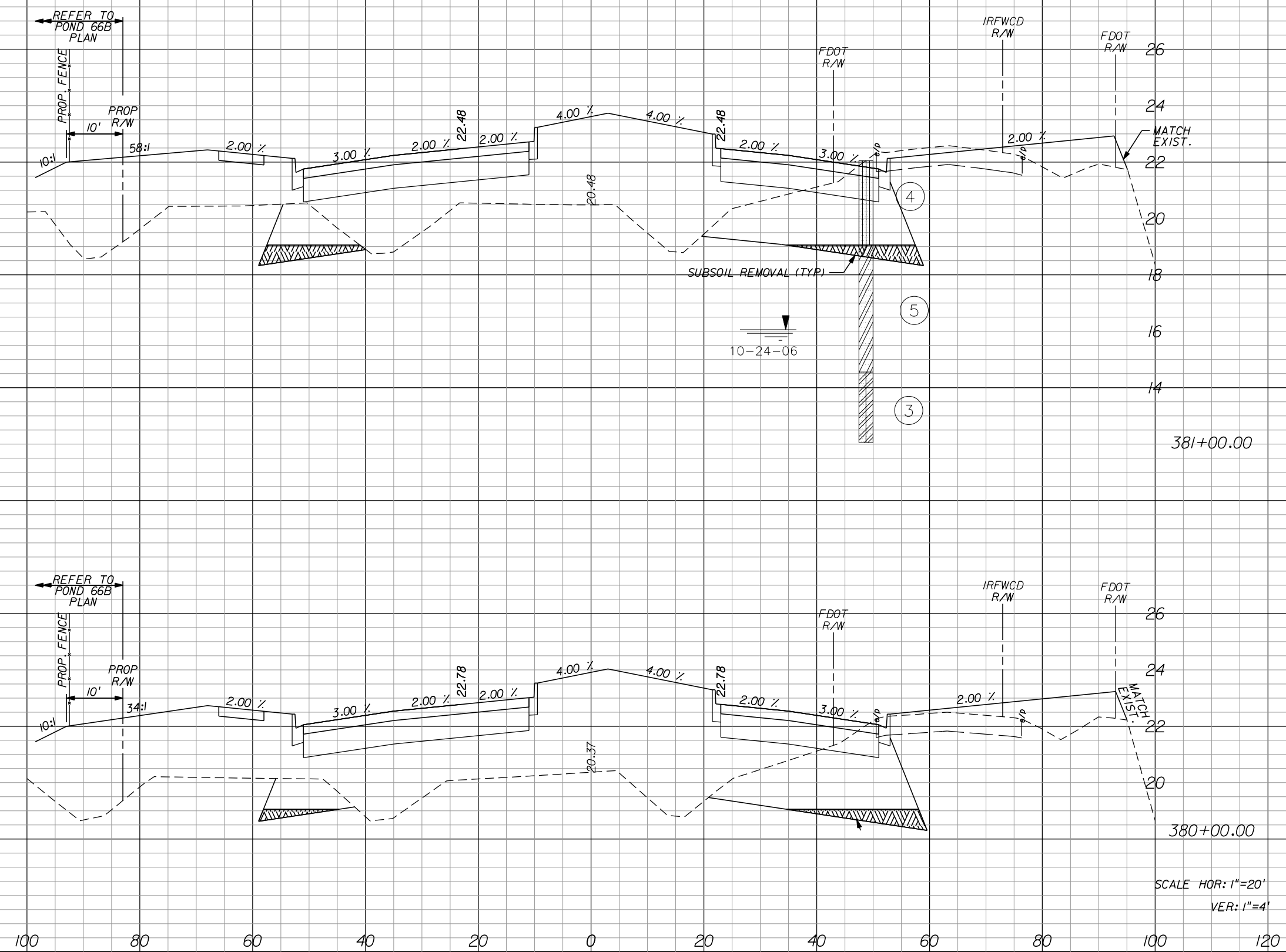
Regular Exc. Embankment Subsoil Exc.

A V A V A V

1505

IRCO Proj. No.

THE OFFICIAL RECORD OF THIS SHEET IS THE ELECTRONIC FILE DIGITALLY SIGNED AND SEALED UNDER RULE 61G15-23.004, F.A.C.



101.65	355.46	292.50	1199.67	16.10	51.37
--------	--------	--------	---------	-------	-------

90.30	313.28	355.32	1328.02	11.64	51.67
-------	--------	--------	---------	-------	-------

SCALE HOR: 1"=20'
VER: 1"=4'

REVISIONS					
DATE	BY	DESCRIPTION	DATE	BY	DESCRIPTION

Kimley»Horn
 BRIAN A. GOOD, P.E.
 P.E. LICENSE NUMBER 56939
 445 24th STREET, SUITE 200
 VERO BEACH, FL 32960
 (772) 794-4100
 CERTIFICATE OF AUTHORIZATION# 00000696

INDIAN RIVER COUNTY
BOARD OF COUNTY COMMISSIONERS
66th AVENUE ROADWAY WIDENING -
PHASE IB 49th STREET TO 69th STREET

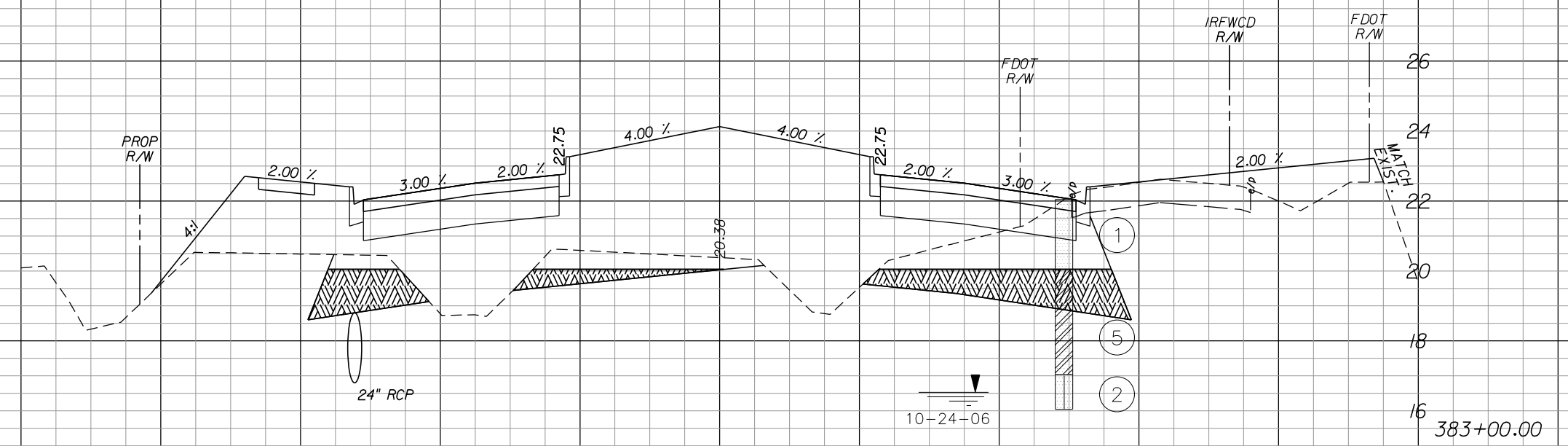
66th AVENUE
CROSS SECTIONS

SHEET NO.
104

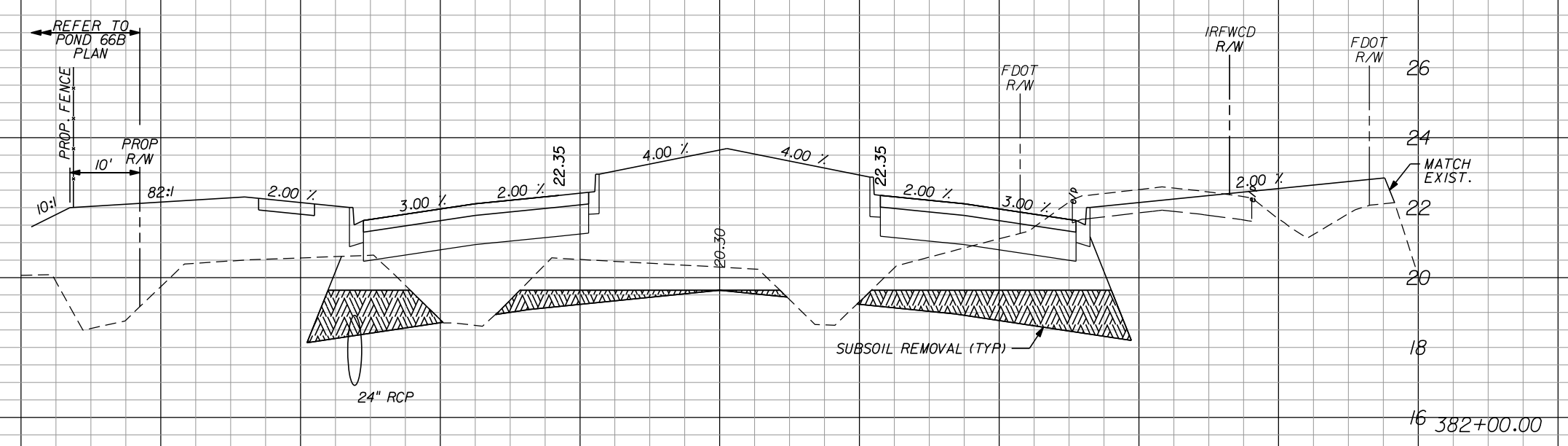
Regular Exc.		Embankment		Subsoil Exc.	
A	V	A	V	A	V

THE OFFICIAL RECORD OF THIS SHEET IS THE ELECTRONIC FILE DIGITALLY SIGNED AND SEALED UNDER RULE 61G15-23.004, F.A.C.

IRCO Proj. No. 1505



107.80	471.22	282.08	1077.19	56.28	217.48
--------	--------	--------	---------	-------	--------



146.66	459.83	299.60	1096.48	61.16	143.07
--------	--------	--------	---------	-------	--------

SCALE HOR: 1"=20'
VER: 1"=4'

REVISIONS					
DATE	BY	DESCRIPTION	DATE	BY	DESCRIPTION

Kimley»Horn
 BRIAN A. GOOD, P.E.
 P.E. LICENSE NUMBER 56939
 445 24th STREET, SUITE 200
 VERO BEACH, FL 32960
 (772) 794-4100
 CERTIFICATE OF AUTHORIZATION# 00000696

**INDIAN RIVER COUNTY
 BOARD OF COUNTY COMMISSIONERS**
**66th AVENUE ROADWAY WIDENING -
 PHASE IB 49th STREET TO 69th STREET**

**66th AVENUE
 CROSS SECTIONS**

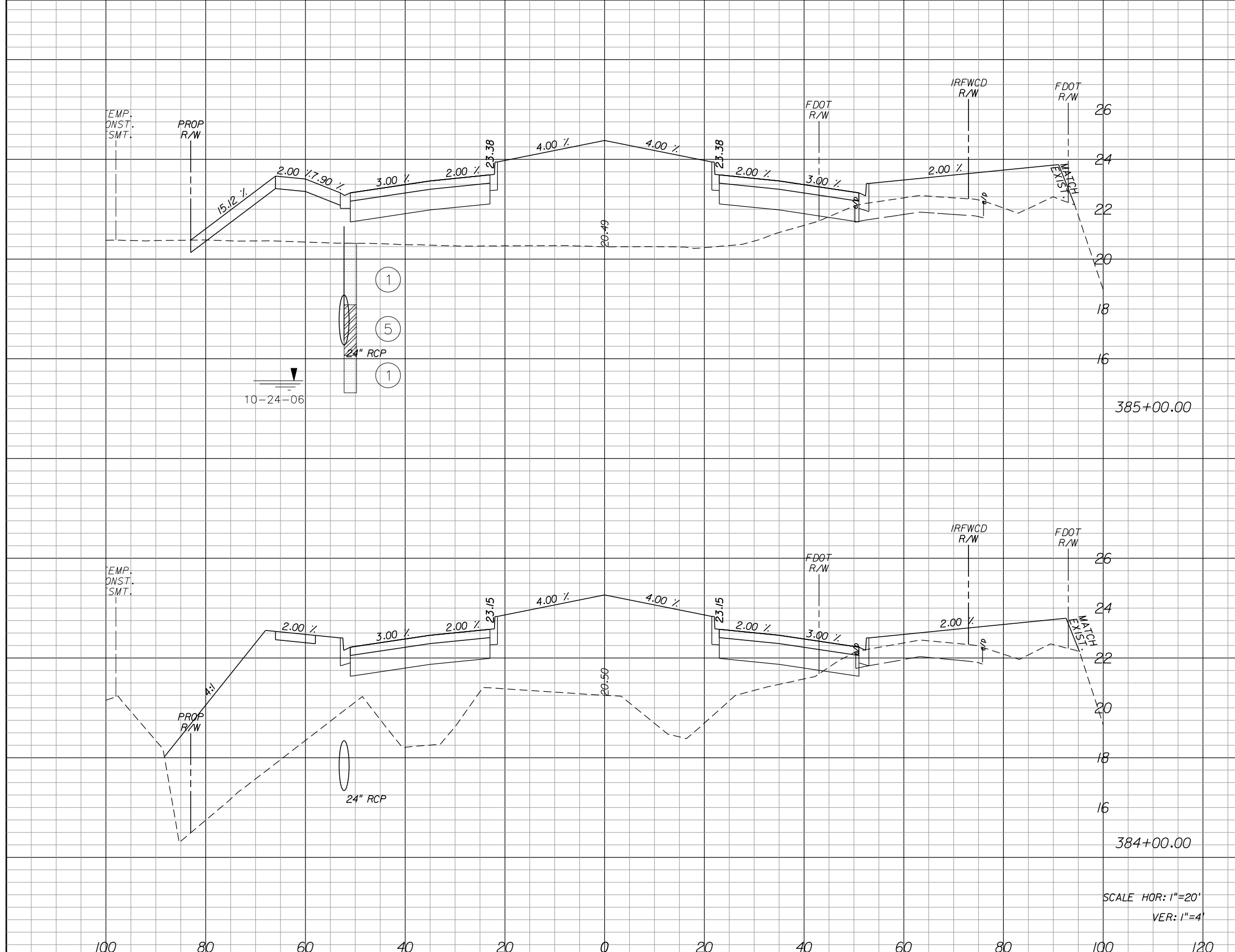
SHEET NO.
105

Regular Exc.		Embankment		Subsoil Exc.	
A	V	A	V	A	V

1505

IRCO Proj. No.

THE OFFICIAL RECORD OF THIS SHEET IS THE ELECTRONIC FILE DIGITALLY SIGNED AND SEALED UNDER RULE 61G15-23.004, F.A.C.



3.59	16.00	312.09	1409.28	0.00	0.00
------	-------	--------	---------	------	------

5.05	208.98	448.92	1353.70	0.00	104.22
------	--------	--------	---------	------	--------

SCALE HOR: 1"=20'
VER: 1"=4'

REVISIONS					
DATE	BY	DESCRIPTION	DATE	BY	DESCRIPTION

Kimley»Horn
 BRIAN A. GOOD, P.E.
 P.E. LICENSE NUMBER 56939
 445 24th STREET, SUITE 200
 VERO BEACH, FL 32960
 (772) 794-4100
 CERTIFICATE OF AUTHORIZATION# 00000696

**INDIAN RIVER COUNTY
 BOARD OF COUNTY COMMISSIONERS**
**66th AVENUE ROADWAY WIDENING -
 PHASE IB 49th STREET TO 69th STREET**

**66th AVENUE
 CROSS SECTIONS**

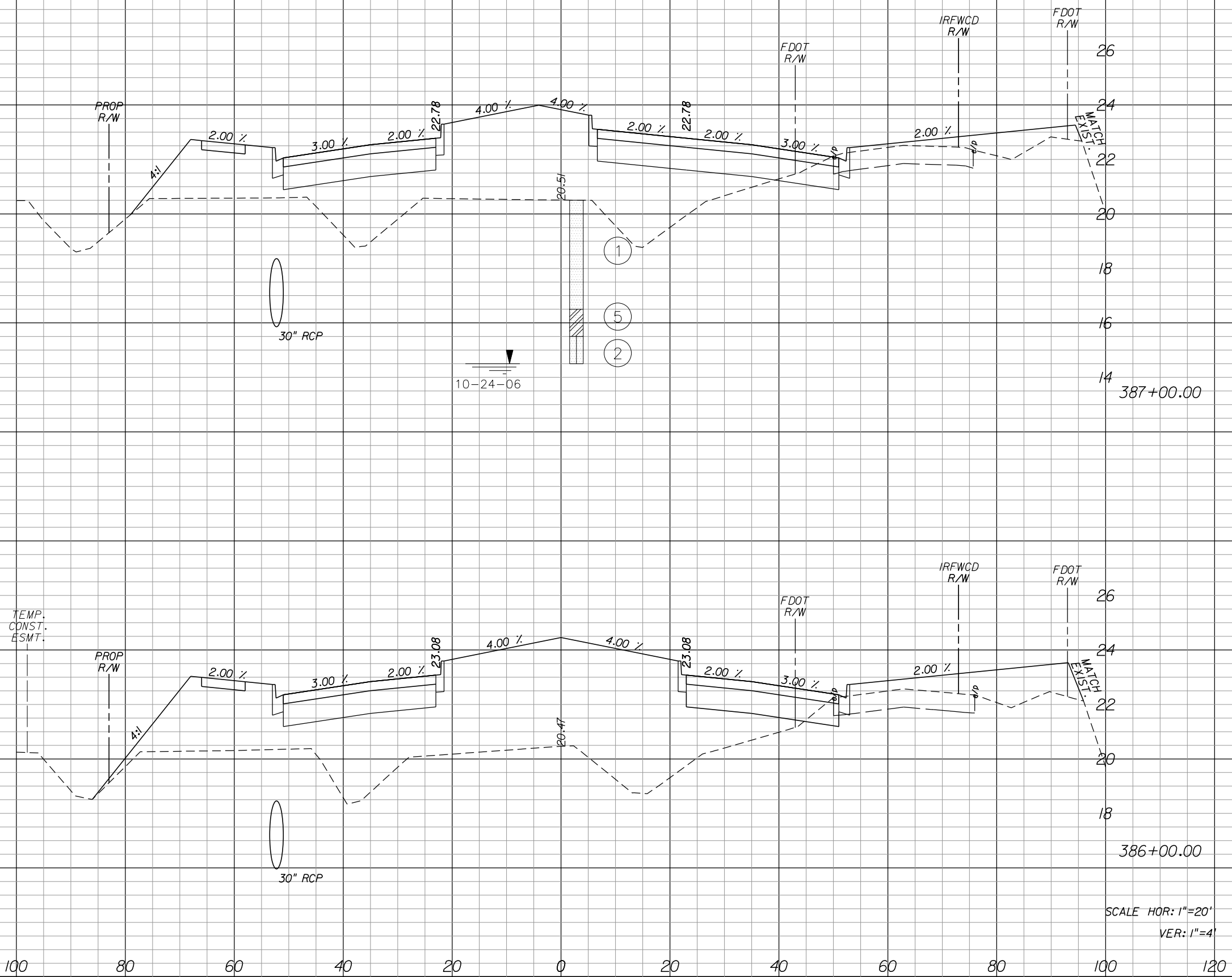
SHEET NO.
106

Regular Exc.		Embankment		Subsoil Exc.	
A	V	A	V	A	V

1505

IR.CO. Proj. No.

THE OFFICIAL RECORD OF THIS SHEET IS THE ELECTRONIC FILE DIGITALLY SIGNED AND SEALED UNDER RULE 61G15-23.004, F.A.C.



Regular Exc.		Embankment		Subsoil Exc.	
A	V	A	V	A	V
8.88	25.81	237.27	1090.61	0.00	0.00
5.06	16.02	351.66	1229.17	0.00	0.00

SCALE HOR: 1"=20'
VER: 1"=4'

REVISIONS					
DATE	BY	DESCRIPTION	DATE	BY	DESCRIPTION

Kimley»Horn
 BRIAN A. GOOD, P.E.
 P.E. LICENSE NUMBER 56939
 445 24th STREET, SUITE 200
 VERO BEACH, FL 32960
 (772) 794-4100
 CERTIFICATE OF AUTHORIZATION# 00000696

**INDIAN RIVER COUNTY
 BOARD OF COUNTY COMMISSIONERS**
**66th AVENUE ROADWAY WIDENING -
 PHASE IB 49th STREET TO 69th STREET**

**66th AVENUE
 CROSS SECTIONS**

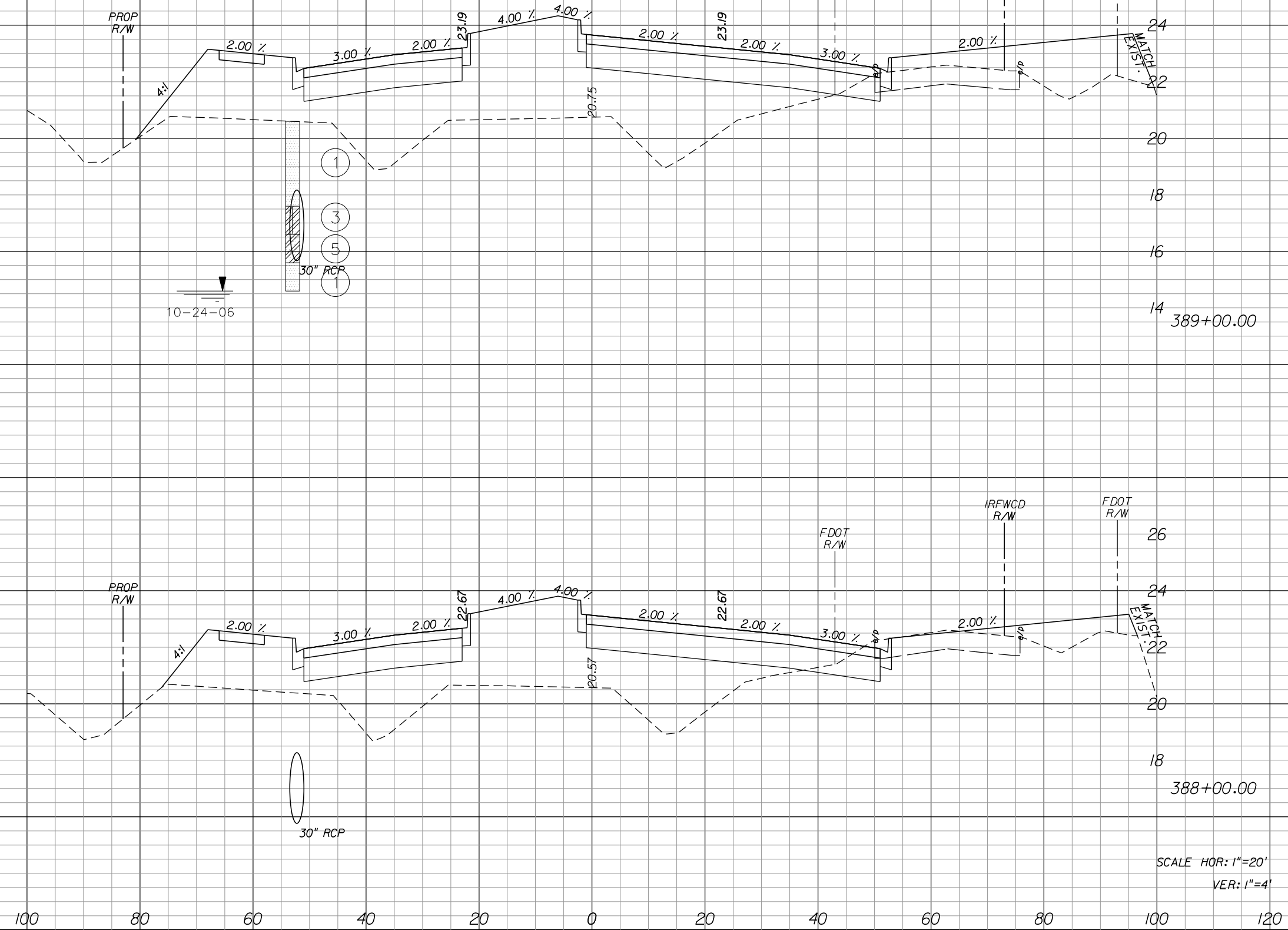
SHEET NO.
107

Regular Exc.		Embankment		Subsoil Exc.	
A	V	A	V	A	V

1505

IRCO Proj. No.

THE OFFICIAL RECORD OF THIS SHEET IS THE ELECTRONIC FILE DIGITALLY SIGNED AND SEALED UNDER RULE 61G15-23.004, F.A.C.



5.16	30.44	287.32	916.39	0.00	0.00
------	-------	--------	--------	------	------

11.28	37.33	207.53	823.70	0.00	0.00
-------	-------	--------	--------	------	------

SCALE HOR: 1"=20'
VER: 1"=4'

REVISIONS					
DATE	BY	DESCRIPTION	DATE	BY	DESCRIPTION

Kimley»Horn
 BRIAN A. GOOD, P.E.
 P.E. LICENSE NUMBER 56939
 445 24th STREET, SUITE 200
 VERO BEACH, FL 32960
 (772) 794-4100
 CERTIFICATE OF AUTHORIZATION# 00000696

**INDIAN RIVER COUNTY
 BOARD OF COUNTY COMMISSIONERS**
**66th AVENUE ROADWAY WIDENING -
 PHASE IB 49th STREET TO 69th STREET**

**66th AVENUE
 CROSS SECTIONS**

SHEET NO.
108

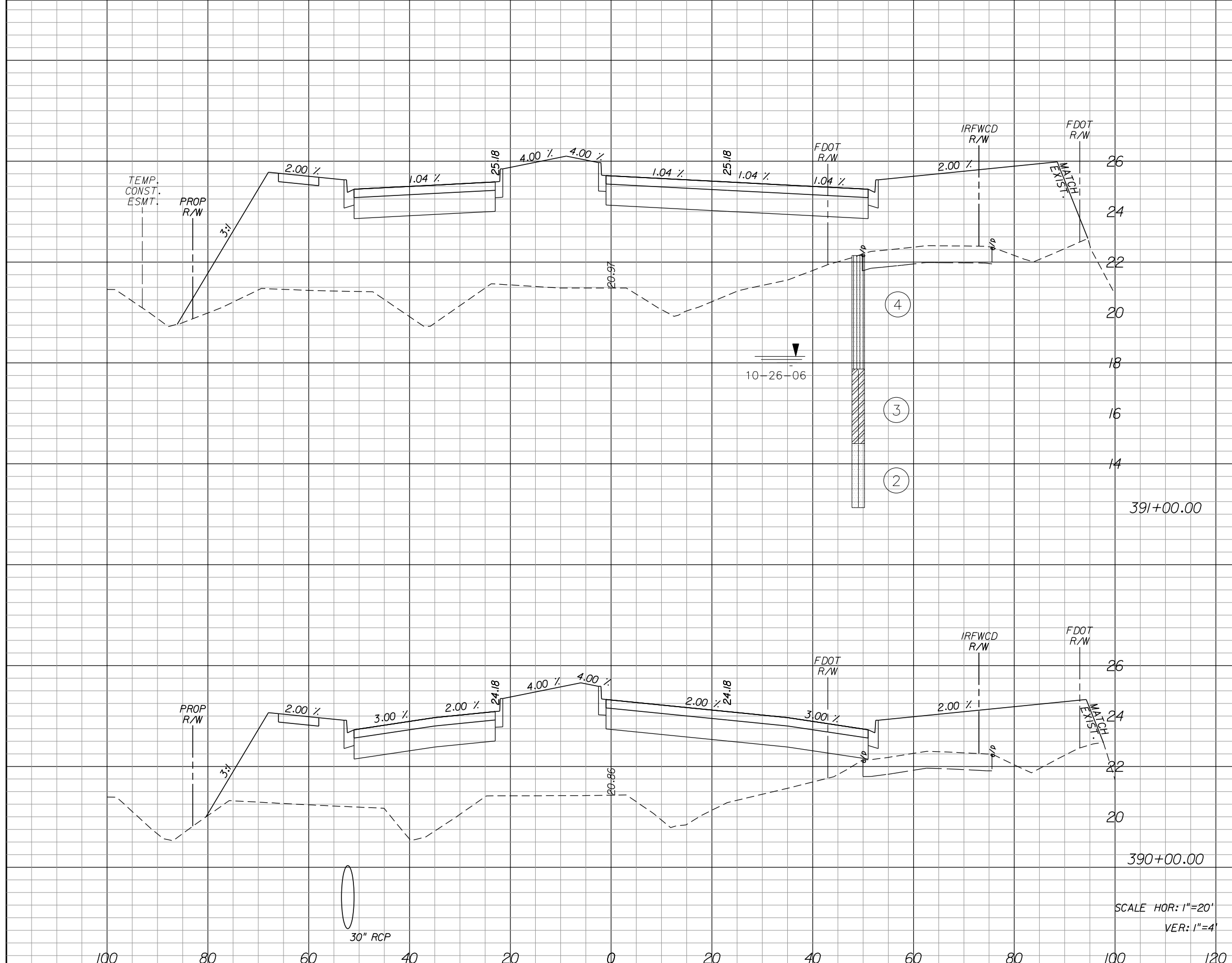
Regular Exc. Embankment Subsoil Exc.

A V A V A V

1505

IRCO Proj. No.

THE OFFICIAL RECORD OF THIS SHEET IS THE ELECTRONIC FILE DIGITALLY SIGNED AND SEALED UNDER RULE 61G15-23.004, F.A.C.



0.00	0.00	591.19	1887.00	0.00	0.00
------	------	--------	---------	------	------

0.00	9.56	427.79	1324.28	0.00	0.00
------	------	--------	---------	------	------

SCALE HOR: 1"=20'
VER: 1"=4'

REVISIONS					
DATE	BY	DESCRIPTION	DATE	BY	DESCRIPTION

Kimley»Horn
 BRIAN A. GOOD, P.E.
 P.E. LICENSE NUMBER 56939
 445 24th STREET, SUITE 200
 VERO BEACH, FL 32960
 (772) 794-4100
 CERTIFICATE OF AUTHORIZATION# 00000696

**INDIAN RIVER COUNTY
 BOARD OF COUNTY COMMISSIONERS**
**66th AVENUE ROADWAY WIDENING -
 PHASE IB 49th STREET TO 69th STREET**

**66th AVENUE
 CROSS SECTIONS**

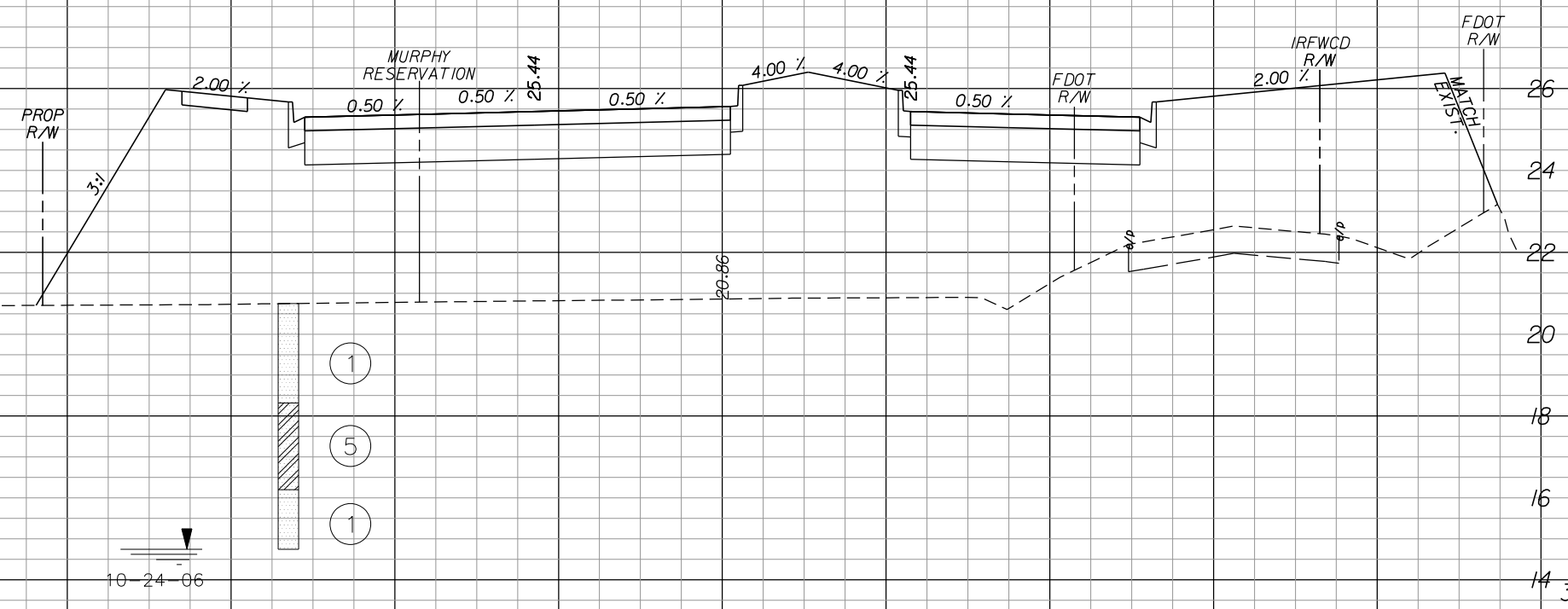
SHEET NO.
109

Regular Exc.		Embankment		Subsoil Exc.	
A	V	A	V	A	V

1505

IRCO Proj. No.

THE OFFICIAL RECORD OF THIS SHEET IS THE ELECTRONIC FILE DIGITALLY SIGNED AND SEALED UNDER RULE 61G15-23.004, F.A.C.

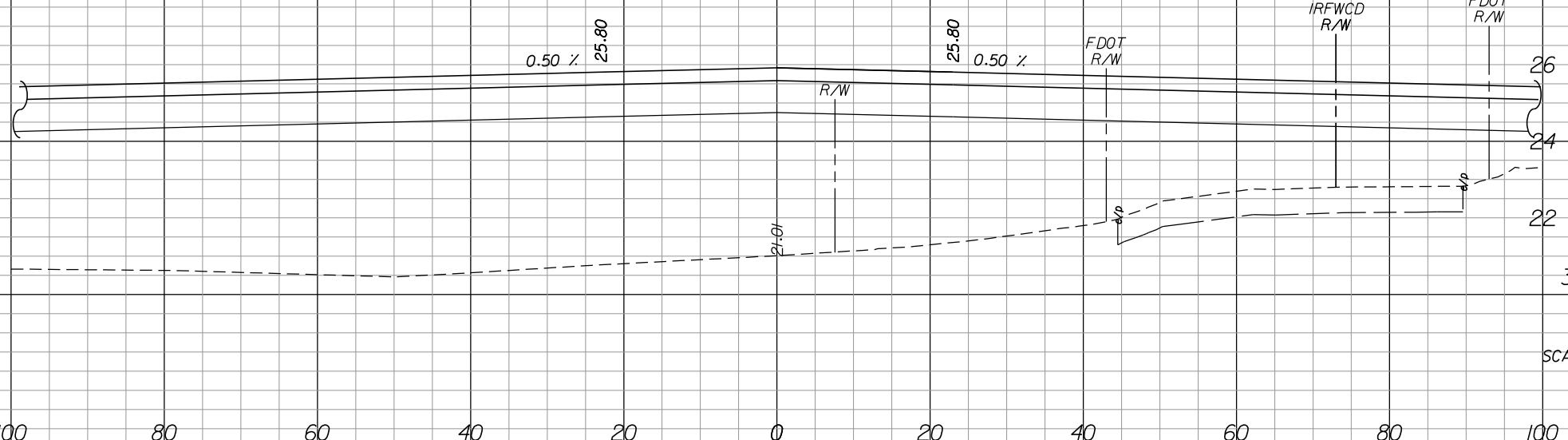


393+00.00

0.00	0.00	635.65	2338.26	0.00	0.00
------	------	--------	---------	------	------

65th STREET

65th STREET



392+00.00

0.00	0.00	627.01	2255.93	0.00	0.00
------	------	--------	---------	------	------

SCALE HOR: 1"=20'
VER: 1"=4'

REVISIONS					
DATE	BY	DESCRIPTION	DATE	BY	DESCRIPTION

Kimley»Horn
 BRIAN A. GOOD, P.E.
 P.E. LICENSE NUMBER 56939
 445 24th STREET, SUITE 200
 VERO BEACH, FL 32960
 (772) 794-4100
 CERTIFICATE OF AUTHORIZATION# 00000696

**INDIAN RIVER COUNTY
 BOARD OF COUNTY COMMISSIONERS**
**66th AVENUE ROADWAY WIDENING -
 PHASE IB 49th STREET TO 69th STREET**

**66th AVENUE
 CROSS SECTIONS**

SHEET NO.
 110

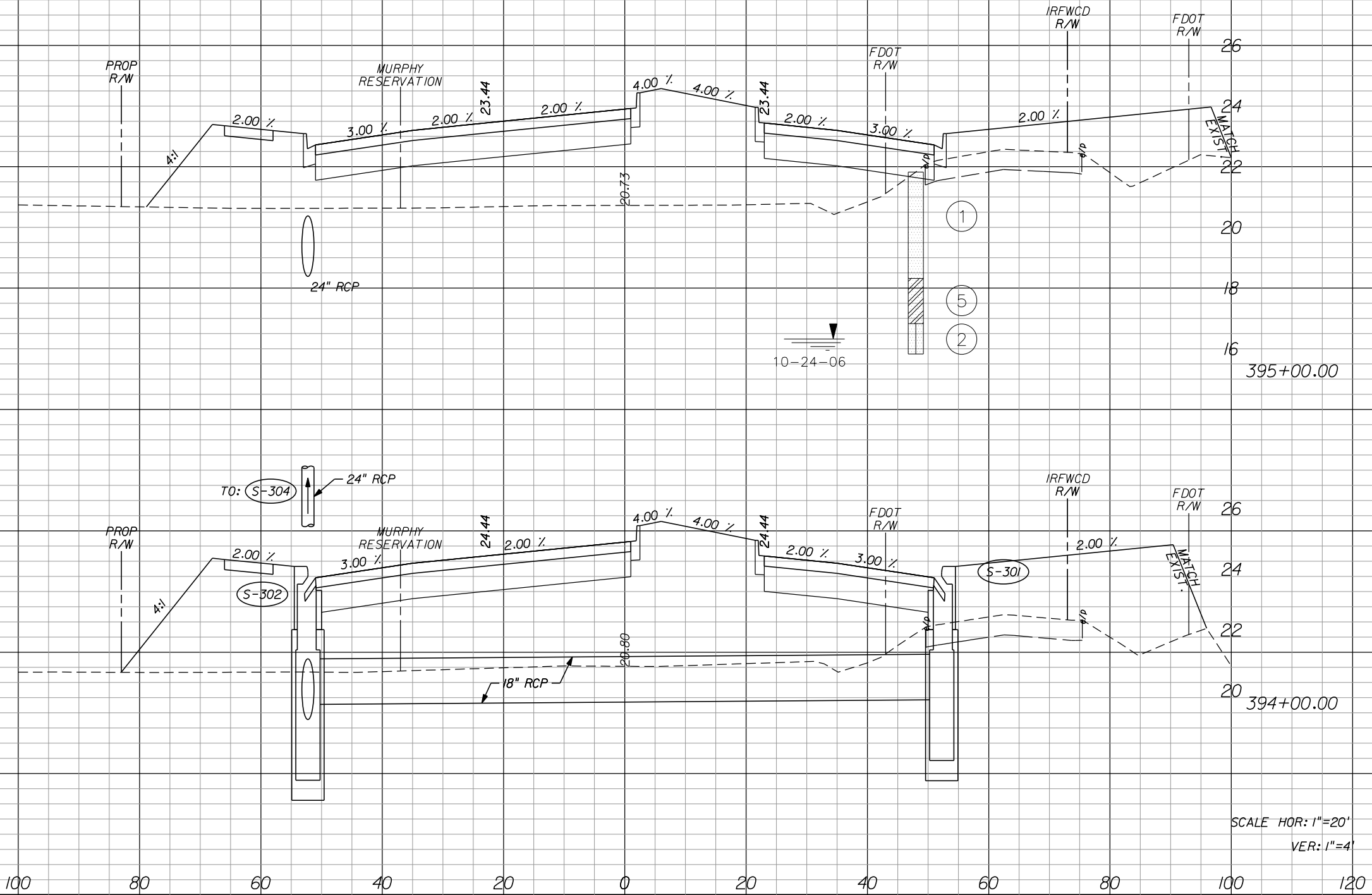
Regular Exc. Exc. Embankment Subsoil Exc.

A V A V A V

1505

IRCO Proj. No.

THE OFFICIAL RECORD OF THIS SHEET IS THE ELECTRONIC FILE DIGITALLY SIGNED AND SEALED UNDER RULE 61G15-23.004, F.A.C.



1.78	3.30	294.94	1381.20	0.00	0.00
------	------	--------	---------	------	------

0.00	0.00	450.91	2012.15	0.00	0.00
------	------	--------	---------	------	------

SCALE HOR: 1"=20'
VER: 1"=4'

REVISIONS					
DATE	BY	DESCRIPTION	DATE	BY	DESCRIPTION

Kimley»Horn
 BRIAN A. GOOD, P.E.
 P.E. LICENSE NUMBER 56939
 445 24th STREET, SUITE 200
 VERO BEACH, FL 32960
 (772) 794-4100
 CERTIFICATE OF AUTHORIZATION# 00000696

**INDIAN RIVER COUNTY
 BOARD OF COUNTY COMMISSIONERS**
**66th AVENUE ROADWAY WIDENING -
 PHASE IB 49th STREET TO 69th STREET**

**66th AVENUE
 CROSS SECTIONS**

SHEET NO.
 III

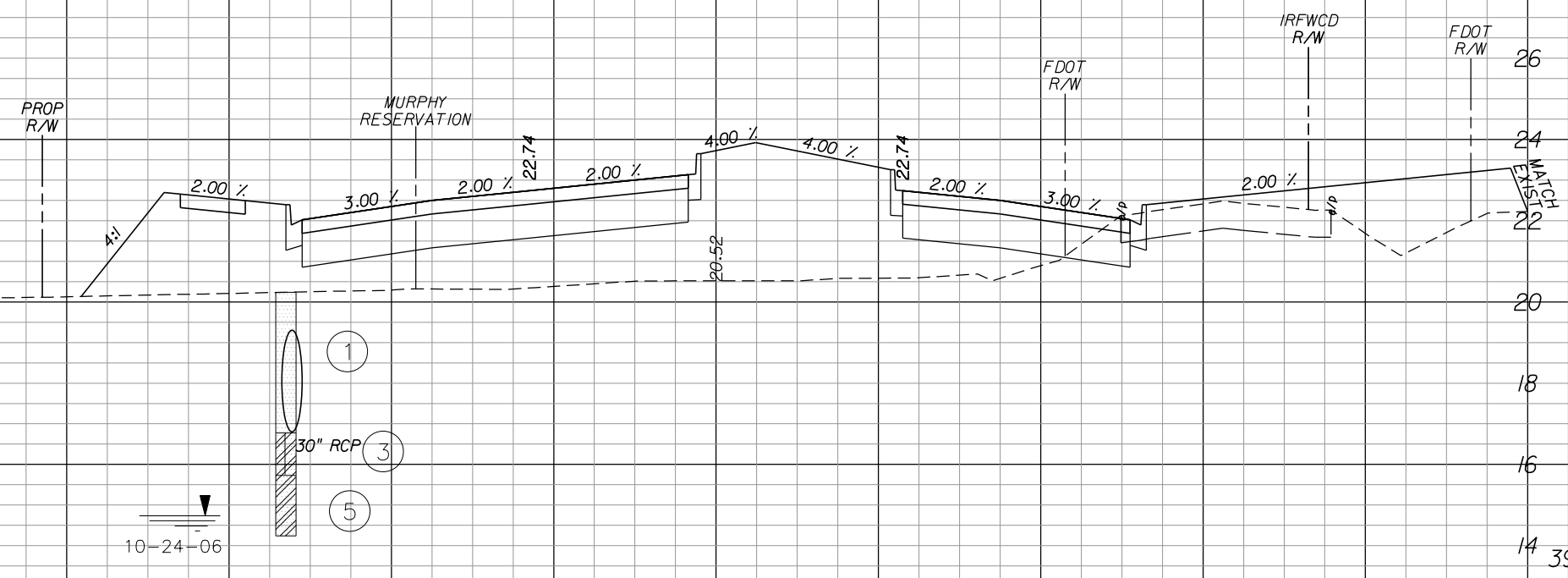
Regular Exc. Embankment Subsoil Exc.

A V A V A V

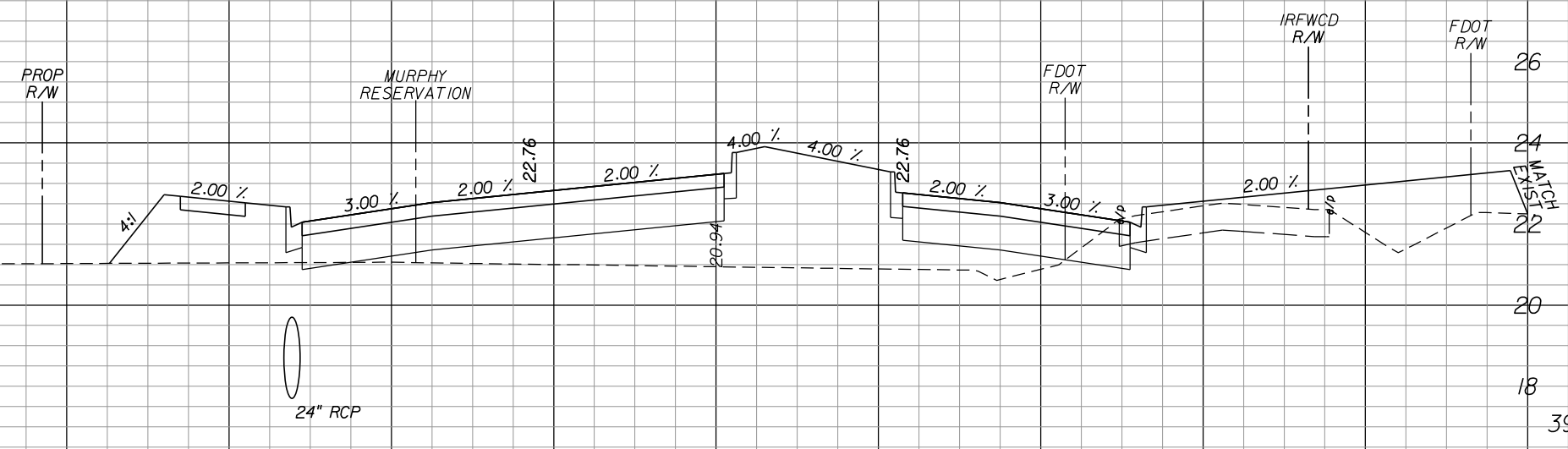
1505

IRCO Proj. No.

THE OFFICIAL RECORD OF THIS SHEET IS THE ELECTRONIC FILE DIGITALLY SIGNED AND SEALED UNDER RULE 61G15-23.004, F.A.C.



10-24-06



SCALE HOR: 1"=20'
VER: 1"=4'

7.50	28.35	226.19	703.43	0.00	0.00
------	-------	--------	--------	------	------

7.81	17.76	153.66	830.74	0.00	0.00
------	-------	--------	--------	------	------

REVISIONS					
DATE	BY	DESCRIPTION	DATE	BY	DESCRIPTION

Kimley»Horn
 BRIAN A. GOOD, P.E.
 P.E. LICENSE NUMBER 56939
 445 24th STREET, SUITE 200
 VERO BEACH, FL 32960
 (772) 794-4100
 CERTIFICATE OF AUTHORIZATION# 00000696

INDIAN RIVER COUNTY
BOARD OF COUNTY COMMISSIONERS
66th AVENUE ROADWAY WIDENING -
PHASE IB 49th STREET TO 69th STREET

66th AVENUE
CROSS SECTIONS

SHEET NO.
112

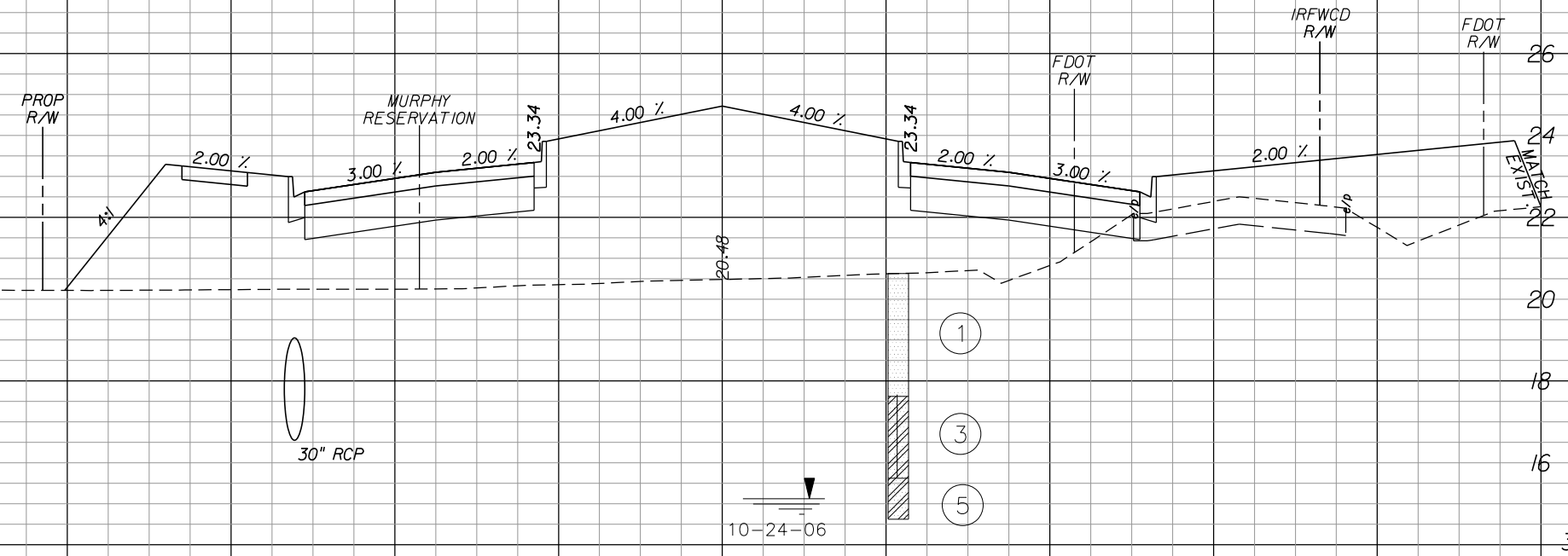
Regular Exc. Embankment Subsoil Exc.

A V A V A V

1505

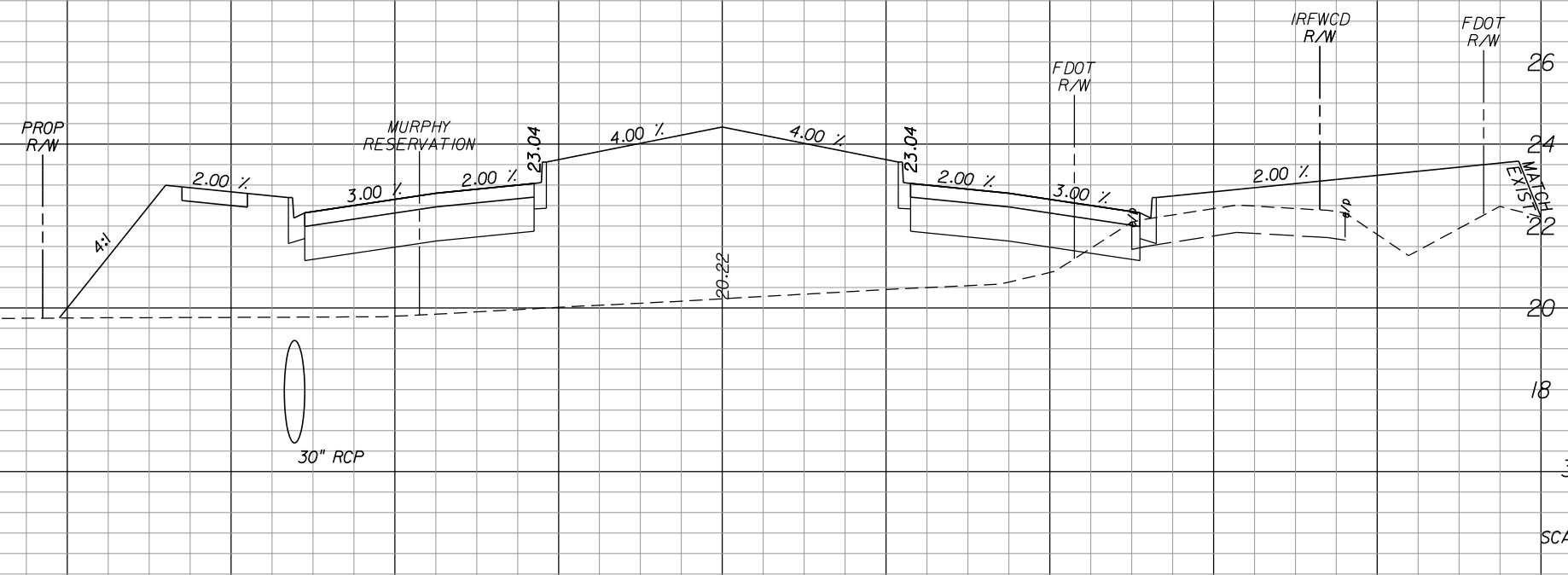
IRCO Proj. No.

THE OFFICIAL RECORD OF THIS SHEET IS THE ELECTRONIC FILE DIGITALLY SIGNED AND SEALED UNDER RULE 61G15-23.004, F.A.C.



399+00.00

1.98	12.28	363.78	1316.91	0.00	0.00
------	-------	--------	---------	------	------



398+00.00

4.65	22.50	347.35	1062.11	0.00	0.00
------	-------	--------	---------	------	------

SCALE HOR: 1"=20'
VER: 1"=4'

100 80 60 40 20 0 20 40 60 80 100 120

REVISIONS					
DATE	BY	DESCRIPTION	DATE	BY	DESCRIPTION

Kimley»Horn
 BRIAN A. GOOD, P.E.
 P.E. LICENSE NUMBER 56939
 445 24th STREET, SUITE 200
 VERO BEACH, FL 32960
 (772) 794-4100
 CERTIFICATE OF AUTHORIZATION# 00000696

INDIAN RIVER COUNTY
BOARD OF COUNTY COMMISSIONERS
66th AVENUE ROADWAY WIDENING -
PHASE IB 49th STREET TO 69th STREET

66th AVENUE
CROSS SECTIONS

SHEET NO.
113

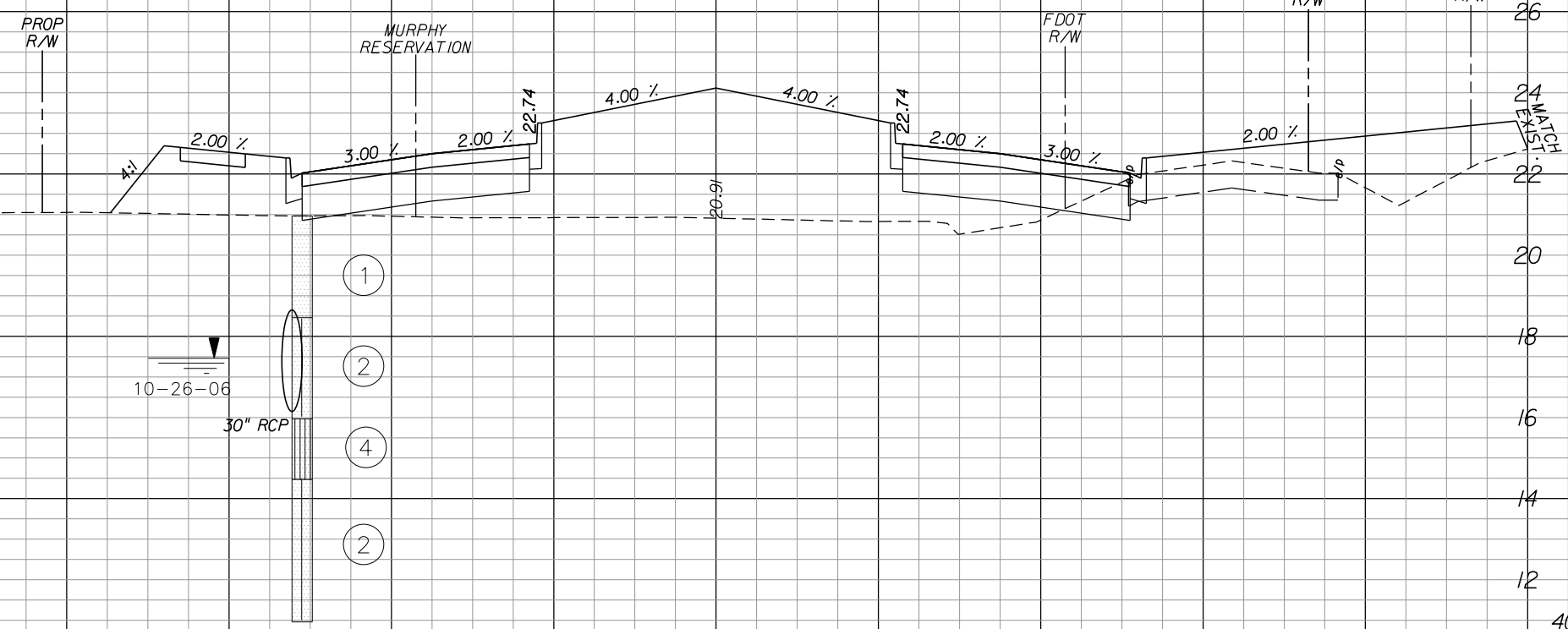
Regular Exc. Embankment Subsoil Exc.

A V A V A V

1505

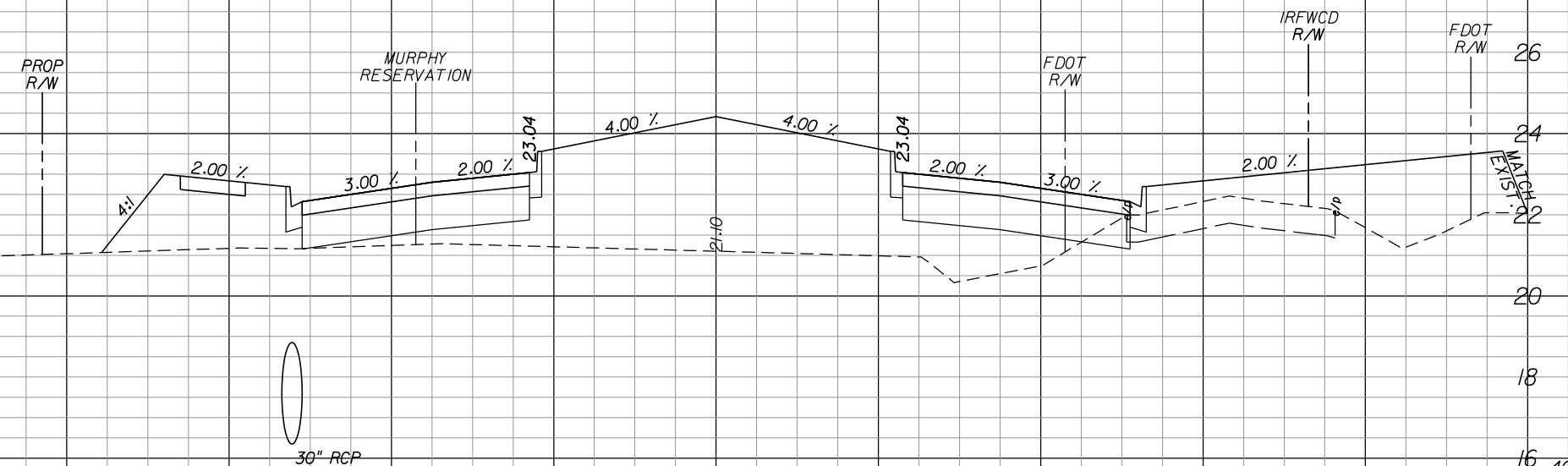
IRCO Proj. No.

THE OFFICIAL RECORD OF THIS SHEET IS THE ELECTRONIC FILE DIGITALLY SIGNED AND SEALED UNDER RULE 61G15-23.004, F.A.C.



401+00.00

5.86	17.07	209.98	830.70	0.00	0.00
------	-------	--------	--------	------	------



400+00.00

SCALE HOR: 1"=20'
VER: 1"=4'

3.36	9.89	238.60	1115.52	0.00	0.00
------	------	--------	---------	------	------

REVISIONS					
DATE	BY	DESCRIPTION	DATE	BY	DESCRIPTION

Kimley»Horn
 BRIAN A. GOOD, P.E.
 P.E. LICENSE NUMBER 56939
 445 24th STREET, SUITE 200
 VERO BEACH, FL 32960
 (772) 794-4100
 CERTIFICATE OF AUTHORIZATION# 00000696

INDIAN RIVER COUNTY
BOARD OF COUNTY COMMISSIONERS
66th AVENUE ROADWAY WIDENING -
PHASE IB 49th STREET TO 69th STREET

66th AVENUE
CROSS SECTIONS

SHEET NO.
114

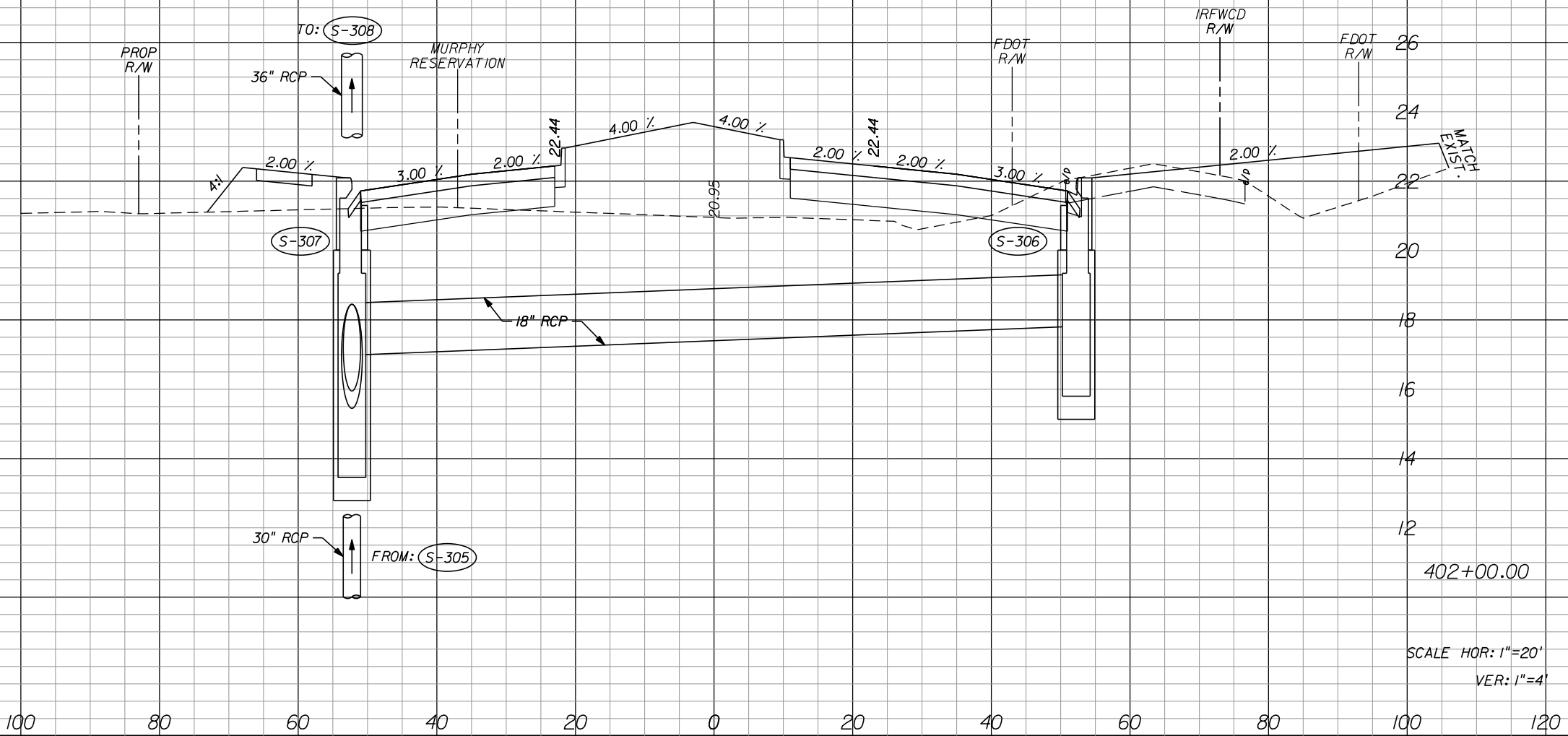
Regular Exc. Embankment Subsoil Exc.

A V A V A V

1505

IRCO Proj. No.

THE OFFICIAL RECORD OF THIS SHEET IS THE ELECTRONIC FILE DIGITALLY SIGNED AND SEALED UNDER RULE 61G15-23.004, F.A.C.



Regular Exc. A	Regular Exc. V	Embankment A	Embankment V	Subsoil Exc. A	Subsoil Exc. V
21.17	50.06	142.29	652.35	0.00	0.00

SCALE HOR: 1"=20'
VER: 1"=4'

REVISIONS					
DATE	BY	DESCRIPTION	DATE	BY	DESCRIPTION

Kimley»Horn
 BRIAN A. GOOD, P.E.
 P.E. LICENSE NUMBER 56939
 445 24th STREET, SUITE 200
 VERO BEACH, FL 32960
 (772) 794-4100
 CERTIFICATE OF AUTHORIZATION# 00000696

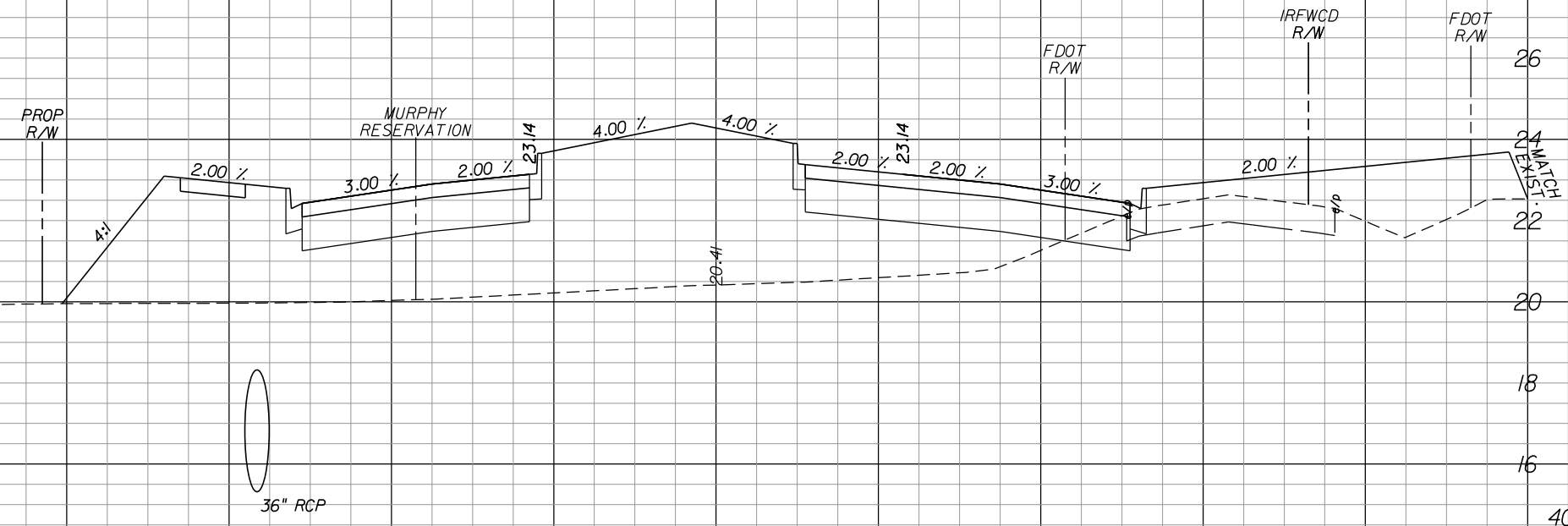
**INDIAN RIVER COUNTY
 BOARD OF COUNTY COMMISSIONERS**
**66th AVENUE ROADWAY WIDENING -
 PHASE IB 49th STREET TO 69th STREET**

**66th AVENUE
 CROSS SECTIONS**

SHEET NO.
115

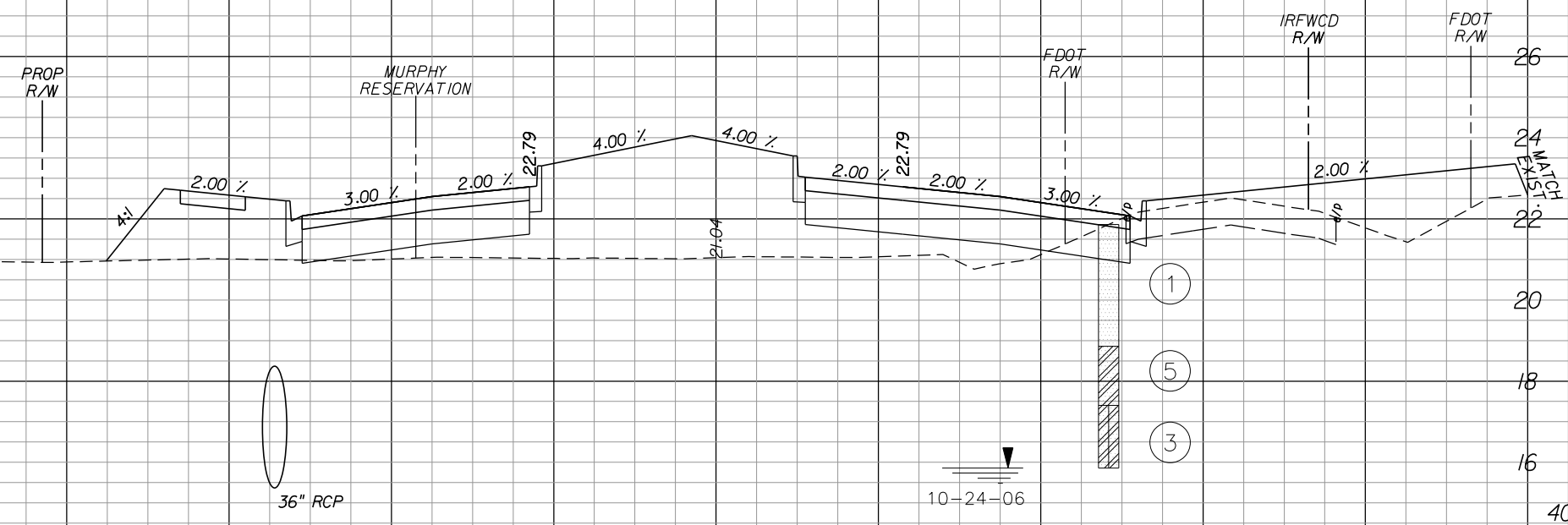
Regular Exc. Embankment Subsoil Exc.

A V A V A V



404+00.00

4.94	23.20	310.95	897.78	0.00	0.00
------	-------	--------	--------	------	------



403+00.00

7.59	53.26	173.85	585.44	0.00	0.00
------	-------	--------	--------	------	------

SCALE HOR: 1"=20'
VER: 1"=4'

100 80 60 40 20 0 20 40 60 80 100 120

REVISIONS					
DATE	BY	DESCRIPTION	DATE	BY	DESCRIPTION

Kimley»Horn
 BRIAN A. GOOD, P.E.
 P.E. LICENSE NUMBER 56939
 445 24th STREET, SUITE 200
 VERO BEACH, FL 32960
 (772) 794-4100
 CERTIFICATE OF AUTHORIZATION# 00000696

INDIAN RIVER COUNTY
BOARD OF COUNTY COMMISSIONERS
66th AVENUE ROADWAY WIDENING -
PHASE IB 49th STREET TO 69th STREET

66th AVENUE
CROSS SECTIONS

SHEET NO.
116

THE OFFICIAL RECORD OF THIS SHEET IS THE ELECTRONIC FILE DIGITALLY SIGNED AND SEALED UNDER RULE 61G15-23.004, F.A.C. I.R.CO. Proj. No. 1505

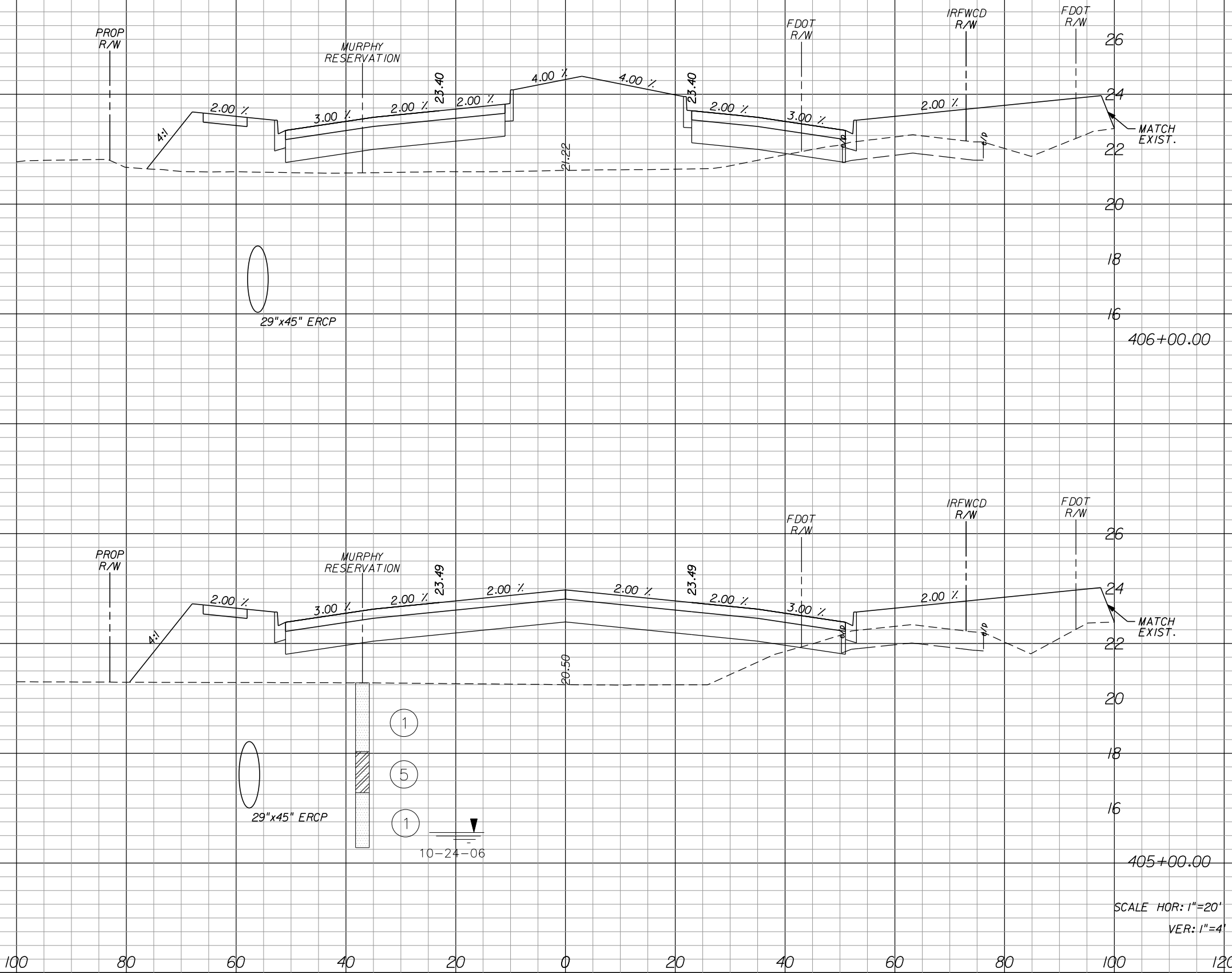
Regular Exc. Embankment Subsoil Exc.

A V A V A V

1505

IRCO Proj. No.

THE OFFICIAL RECORD OF THIS SHEET IS THE ELECTRONIC FILE DIGITALLY SIGNED AND SEALED UNDER RULE 61G15-23.004, F.A.C.



4.07	14.61	239.98	936.26	0.00	0.00
------	-------	--------	--------	------	------

3.82	16.22	265.60	1067.69	0.00	0.00
------	-------	--------	---------	------	------

SCALE HOR: 1"=20'
VER: 1"=4'

REVISIONS					
DATE	BY	DESCRIPTION	DATE	BY	DESCRIPTION

Kimley»Horn
 BRIAN A. GOOD, P.E.
 P.E. LICENSE NUMBER 56939
 445 24th STREET, SUITE 200
 VERO BEACH, FL 32960
 (772) 794-4100
 CERTIFICATE OF AUTHORIZATION# 00000696

**INDIAN RIVER COUNTY
 BOARD OF COUNTY COMMISSIONERS**
**66th AVENUE ROADWAY WIDENING -
 PHASE IB 49th STREET TO 69th STREET**

**66th AVENUE
 CROSS SECTIONS**

SHEET NO.
117

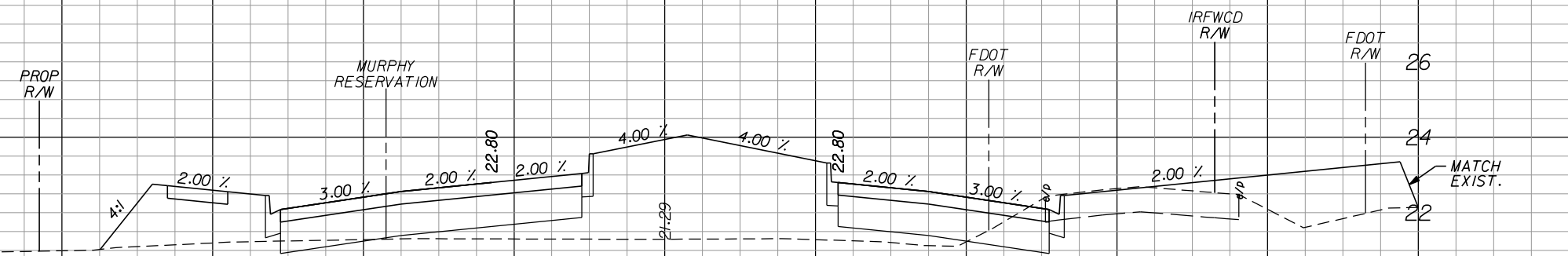
Regular Exc. Embankment Subsoil Exc.

A V A V A V

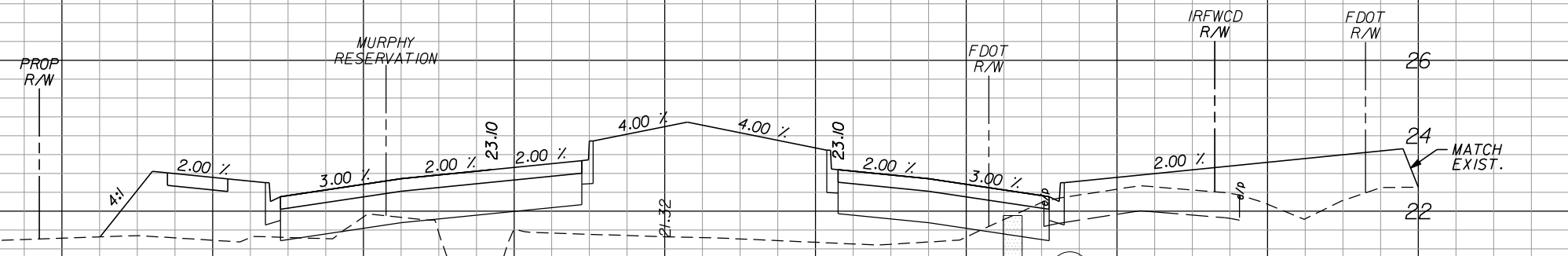
1505

IRCO Proj. No.

THE OFFICIAL RECORD OF THIS SHEET IS THE ELECTRONIC FILE DIGITALLY SIGNED AND SEALED UNDER RULE 61G15-23.004, F.A.C.



12.86	39.44	143.95	611.30	0.00	0.00
-------	-------	--------	--------	------	------



8.44	23.17	186.15	789.13	0.00	0.00
------	-------	--------	--------	------	------

SCALE HOR: 1"=20'
VER: 1"=4'

REVISIONS					
DATE	BY	DESCRIPTION	DATE	BY	DESCRIPTION

Kimley»Horn
 BRIAN A. GOOD, P.E.
 P.E. LICENSE NUMBER 56939
 445 24th STREET, SUITE 200
 VERO BEACH, FL 32960
 (772) 794-4100
 CERTIFICATE OF AUTHORIZATION# 00000696

**INDIAN RIVER COUNTY
 BOARD OF COUNTY COMMISSIONERS**
**66th AVENUE ROADWAY WIDENING -
 PHASE IB 49th STREET TO 69th STREET**

**66th AVENUE
 CROSS SECTIONS**

SHEET NO.
118

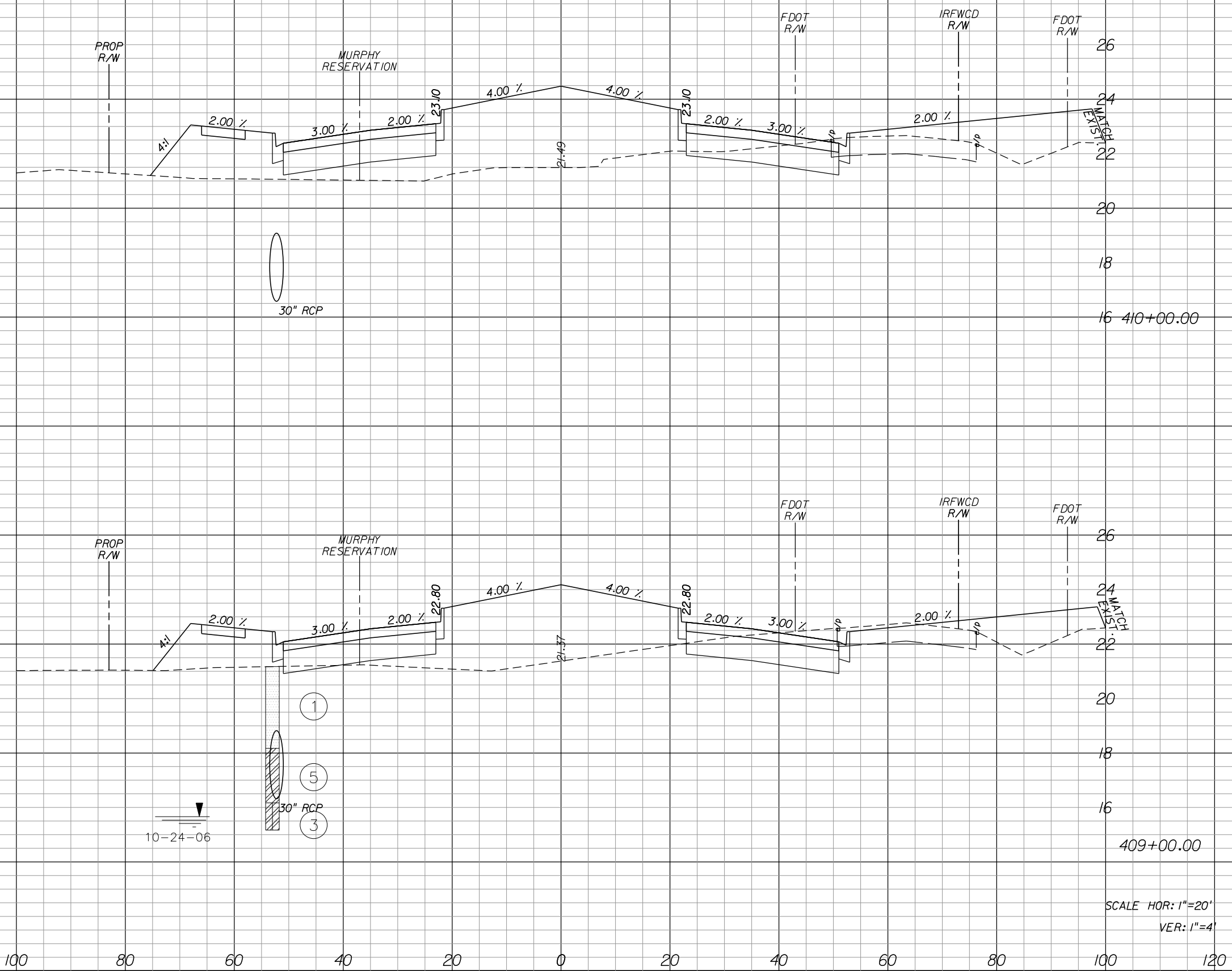
Regular Exc. Embankment Subsoil Exc.

A V A V A V

1505

IRCO Proj. No.

THE OFFICIAL RECORD OF THIS SHEET IS THE ELECTRONIC FILE DIGITALLY SIGNED AND SEALED UNDER RULE 61G15-23.004, F.A.C.



19.64 99.85 196.10 655.67 0.00 0.00

34.28 87.30 157.96 559.09 0.00 0.00

SCALE HOR: 1"=20'
VER: 1"=4'

10-24-06

- ①
- ⑤
- ③

REVISIONS					
DATE	BY	DESCRIPTION	DATE	BY	DESCRIPTION

Kimley»Horn
 BRIAN A. GOOD, P.E.
 P.E. LICENSE NUMBER 56939
 445 24th STREET, SUITE 200
 VERO BEACH, FL 32960
 (772) 794-4100
 CERTIFICATE OF AUTHORIZATION# 00000696

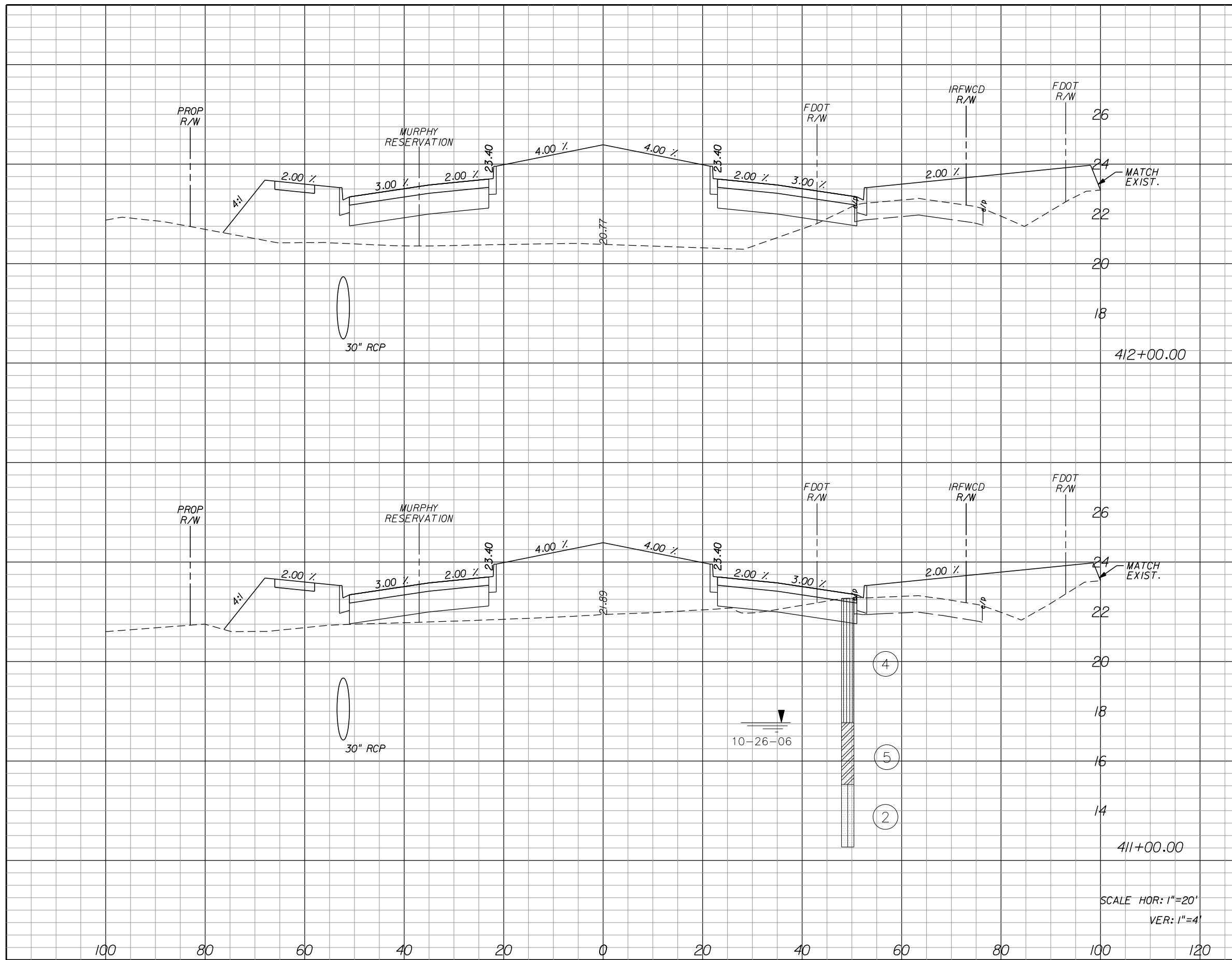
INDIAN RIVER COUNTY
BOARD OF COUNTY COMMISSIONERS
66th AVENUE ROADWAY WIDENING -
PHASE IB 49th STREET TO 69th STREET

66th AVENUE
CROSS SECTIONS

SHEET NO.
119

Regular Exc.		Embankment		Subsoil Exc.	
A	V	A	V	A	V
3.80	27.13	315.01	961.26	0.00	0.00
10.85	56.46	204.07	741.06	0.00	0.00

1505
 I.R.CO. Proj. No.
 THE OFFICIAL RECORD OF THIS SHEET IS THE ELECTRONIC FILE DIGITALLY SIGNED AND SEALED UNDER RULE 61G15-23.004, F.A.C.



REVISIONS					
DATE	BY	DESCRIPTION	DATE	BY	DESCRIPTION

Kimley»Horn
 BRIAN A. GOOD, P.E.
 P.E. LICENSE NUMBER 56939
 445 24th STREET, SUITE 200
 VERO BEACH, FL 32960
 (772) 794-4100
 CERTIFICATE OF AUTHORIZATION# 00000696

INDIAN RIVER COUNTY
BOARD OF COUNTY COMMISSIONERS
66th AVENUE ROADWAY WIDENING -
PHASE IB 49th STREET TO 69th STREET

66th AVENUE
CROSS SECTIONS

SHEET NO.	120
-----------	-----

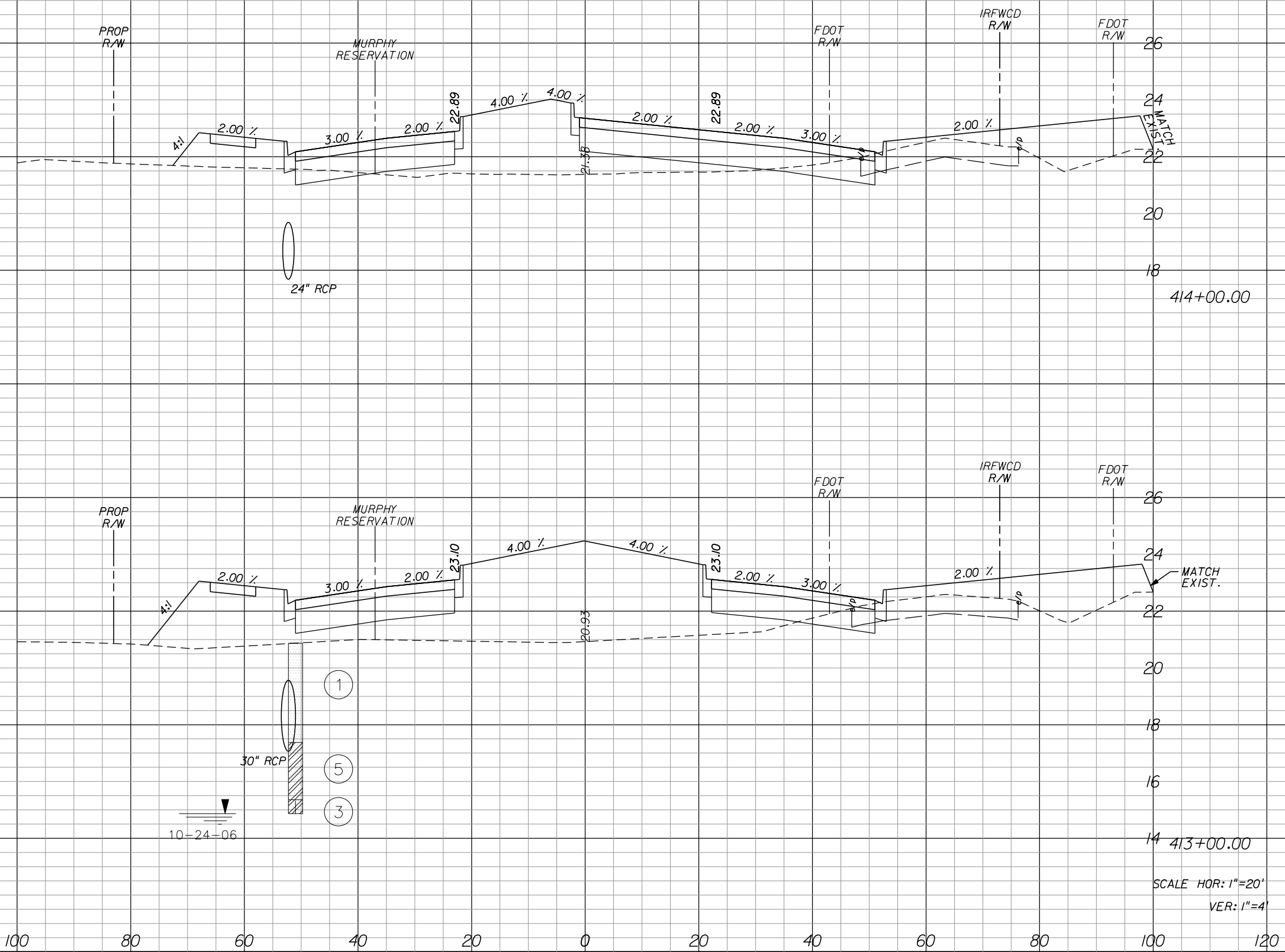
Regular Exc. Embankment Subsoil Exc.

A V A V A V

1505

IRCO Proj. No.

THE OFFICIAL RECORD OF THIS SHEET IS THE ELECTRONIC FILE DIGITALLY SIGNED AND SEALED UNDER RULE 61G15-23.004, F.A.C.



Station	Regular Exc. A	Regular Exc. V	Embankment A	Embankment V	Subsoil Exc. A	Subsoil Exc. V
414+00.00	14.68	43.07	118.31	668.80	0.00	0.00
413+00.00	8.58	22.93	242.84	1033.06	0.00	0.00

SCALE HOR: 1"=20'
VER: 1"=4'

10-24-06

- ①
- ⑤
- ③

REVISIONS					
DATE	BY	DESCRIPTION	DATE	BY	DESCRIPTION

Kimley»Horn
 BRIAN A. GOOD, P.E.
 P.E. LICENSE NUMBER 56939
 445 24th STREET, SUITE 200
 VERO BEACH, FL 32960
 (772) 794-4100
 CERTIFICATE OF AUTHORIZATION# 00000696

INDIAN RIVER COUNTY
BOARD OF COUNTY COMMISSIONERS
66th AVENUE ROADWAY WIDENING -
PHASE IB 49th STREET TO 69th STREET

66th AVENUE
CROSS SECTIONS

SHEET NO.
121

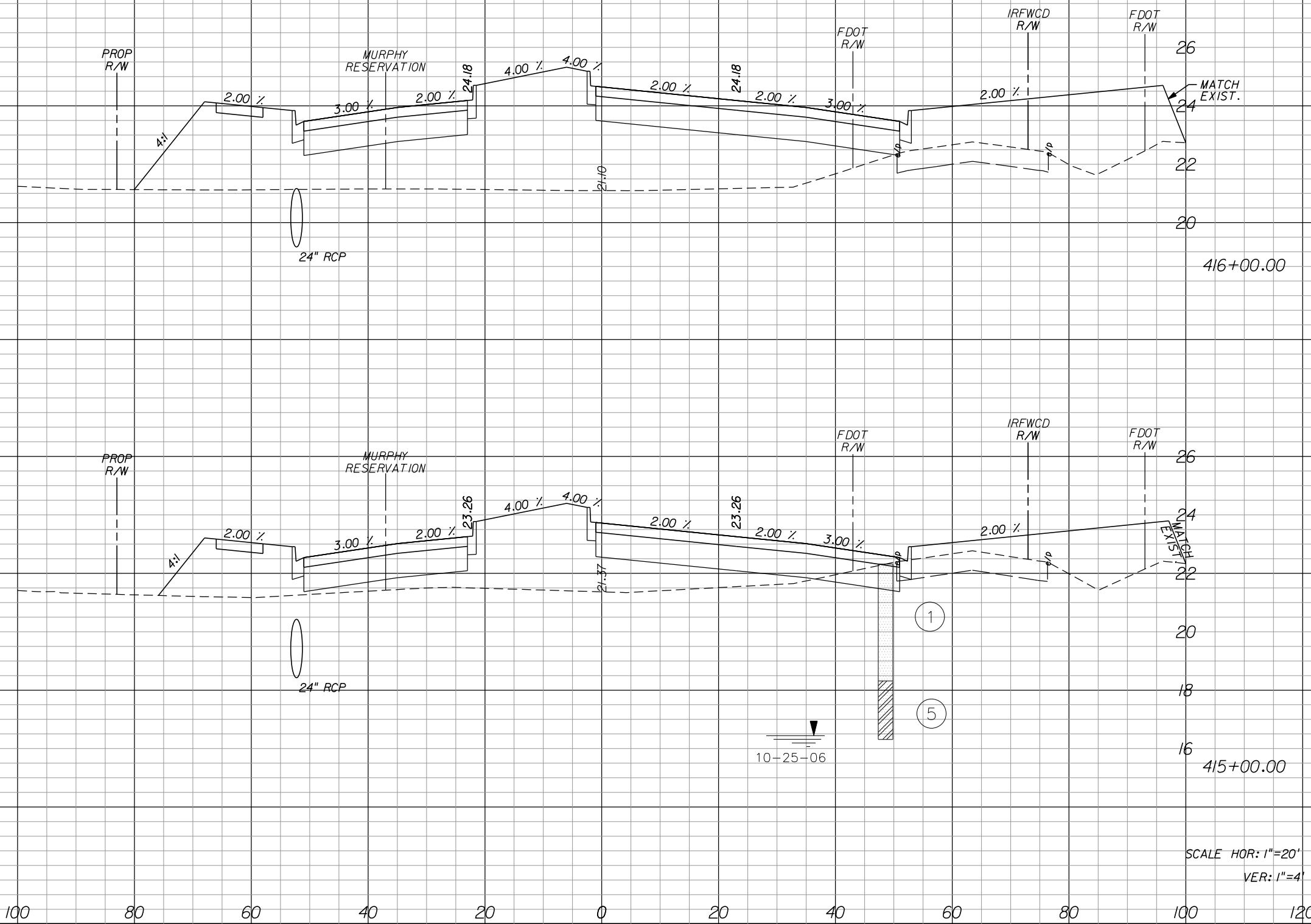
Regular Exc. Embankment Subsoil Exc.

A V A V A V

1505

IRCO Proj. No.

THE OFFICIAL RECORD OF THIS SHEET IS THE ELECTRONIC FILE DIGITALLY SIGNED AND SEALED UNDER RULE 61G15-23.004, F.A.C.



0.04	16.26	352.32	972.54	0.00	0.00
------	-------	--------	--------	------	------

8.74	43.37	172.85	539.19	0.00	0.00
------	-------	--------	--------	------	------

REVISIONS					
DATE	BY	DESCRIPTION	DATE	BY	DESCRIPTION

Kimley»Horn
 BRIAN A. GOOD, P.E.
 P.E. LICENSE NUMBER 56939
 445 24th STREET, SUITE 200
 VERO BEACH, FL 32960
 (772) 794-4100
 CERTIFICATE OF AUTHORIZATION# 00000696

**INDIAN RIVER COUNTY
 BOARD OF COUNTY COMMISSIONERS**
**66th AVENUE ROADWAY WIDENING -
 PHASE IB 49th STREET TO 69th STREET**

**66th AVENUE
 CROSS SECTIONS**

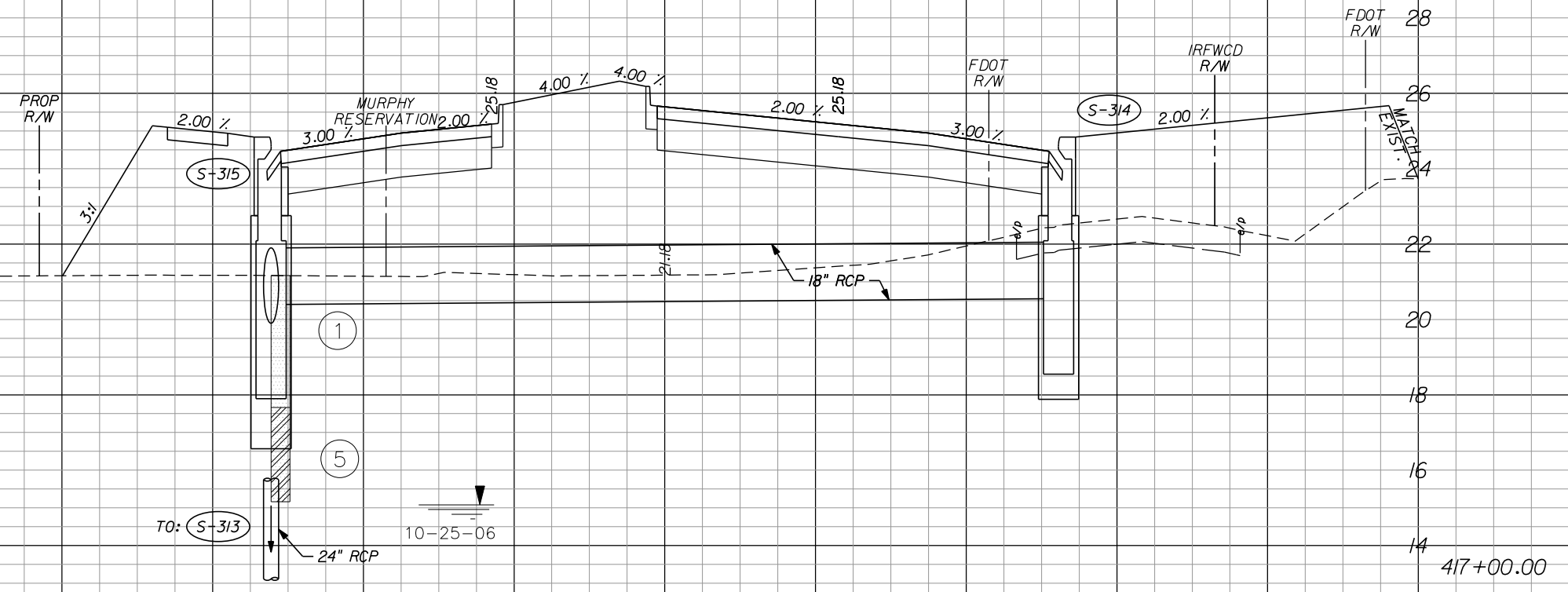
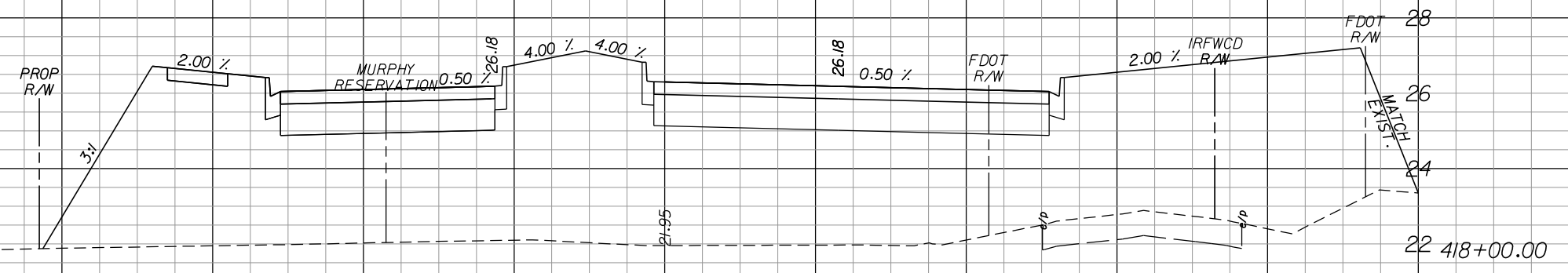
SHEET NO.
122

Regular Exc. Embankment Subsoil Exc.

A V A V A V

0.00	0.00	614.38	2056.37	0.00	0.00
0.00	0.07	496.06	1571.07	0.00	0.00

IRCO Proj. No. 1505
THE OFFICIAL RECORD OF THIS SHEET IS THE ELECTRONIC FILE DIGITALLY SIGNED AND SEALED UNDER RULE 61G15-23.004, F.A.C.



100 80 60 40 20 0 20 40 60 80 100 120

SCALE HOR: 1"=20'
VER: 1"=4'

REVISIONS					
DATE	BY	DESCRIPTION	DATE	BY	DESCRIPTION

Kimley»Horn
 BRIAN A. GOOD, P.E.
 P.E. LICENSE NUMBER 56939
 445 24th STREET, SUITE 200
 VERO BEACH, FL 32960
 (772) 794-4100
 CERTIFICATE OF AUTHORIZATION# 00000696

INDIAN RIVER COUNTY
BOARD OF COUNTY COMMISSIONERS
66th AVENUE ROADWAY WIDENING -
PHASE IB 49th STREET TO 69th STREET

66th AVENUE
CROSS SECTIONS

SHEET NO.
123

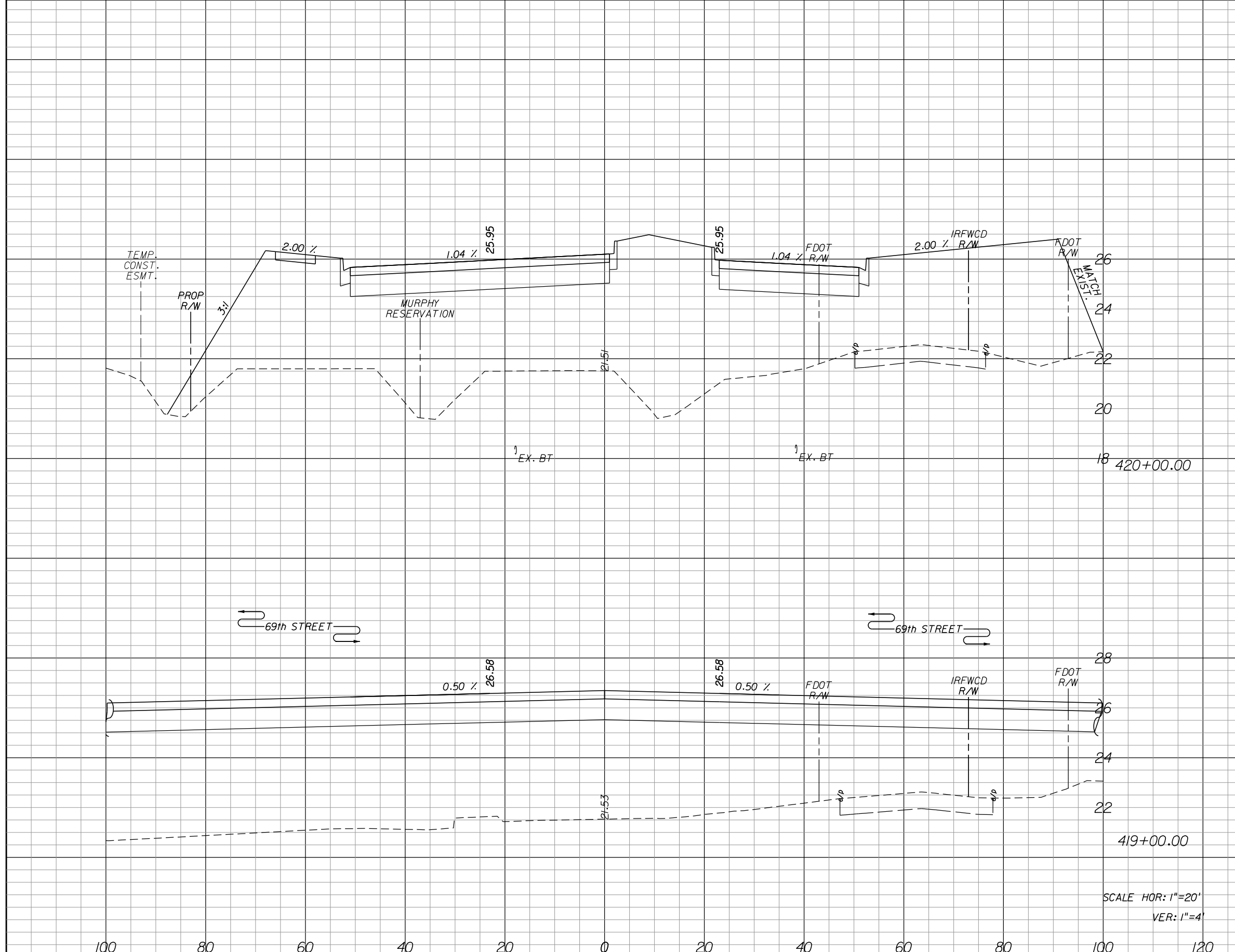
Regular Exc. Embankment Subsoil Exc.

A V A V A V

1505

IRCO Proj. No.

THE OFFICIAL RECORD OF THIS SHEET IS THE ELECTRONIC FILE DIGITALLY SIGNED AND SEALED UNDER RULE 61G15-23.004, F.A.C.



0.00	0.00	698.32	2644.93	0.00	0.00
------	------	--------	---------	------	------

0.00	0.00	729.94	2489.48	0.00	0.00
------	------	--------	---------	------	------

SCALE HOR: 1"=20'
VER: 1"=4'

REVISIONS					
DATE	BY	DESCRIPTION	DATE	BY	DESCRIPTION

Kimley»Horn
 BRIAN A. GOOD, P.E.
 P.E. LICENSE NUMBER 56939
 445 24th STREET, SUITE 200
 VERO BEACH, FL 32960
 (772) 794-4100
 CERTIFICATE OF AUTHORIZATION# 00000696

INDIAN RIVER COUNTY
BOARD OF COUNTY COMMISSIONERS
66th AVENUE ROADWAY WIDENING -
PHASE IB 49th STREET TO 69th STREET

66th AVENUE
CROSS SECTIONS

SHEET NO.
124

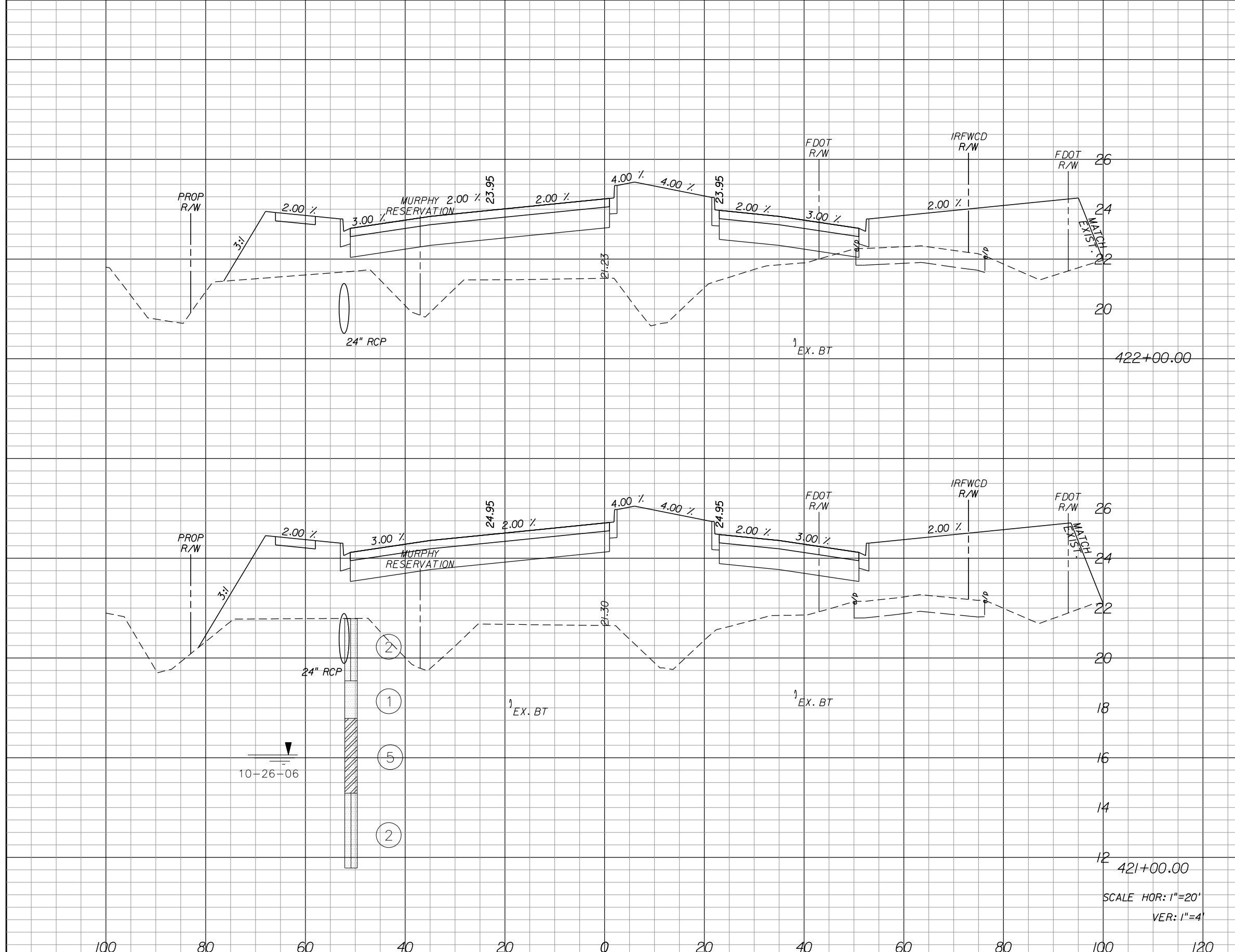
Regular Exc. Embankment Subsoil Exc.

A V A V A V

1505

IRCO Proj. No.

THE OFFICIAL RECORD OF THIS SHEET IS THE ELECTRONIC FILE DIGITALLY SIGNED AND SEALED UNDER RULE 61G15-23.004, F.A.C.



0.87	1.61	340.42	1551.81	0.00	0.00
0.00	0.00	497.59	2214.59	0.00	0.00

10-26-06

SCALE HOR: 1"=20'
VER: 1"=4'

REVISIONS					
DATE	BY	DESCRIPTION	DATE	BY	DESCRIPTION

Kimley»Horn
 BRIAN A. GOOD, P.E.
 P.E. LICENSE NUMBER 56939
 445 24th STREET, SUITE 200
 VERO BEACH, FL 32960
 (772) 794-4100
 CERTIFICATE OF AUTHORIZATION# 00000696

**INDIAN RIVER COUNTY
 BOARD OF COUNTY COMMISSIONERS**
**66th AVENUE ROADWAY WIDENING -
 PHASE IB 49th STREET TO 69th STREET**

**66th AVENUE
 CROSS SECTIONS**

SHEET NO.
125

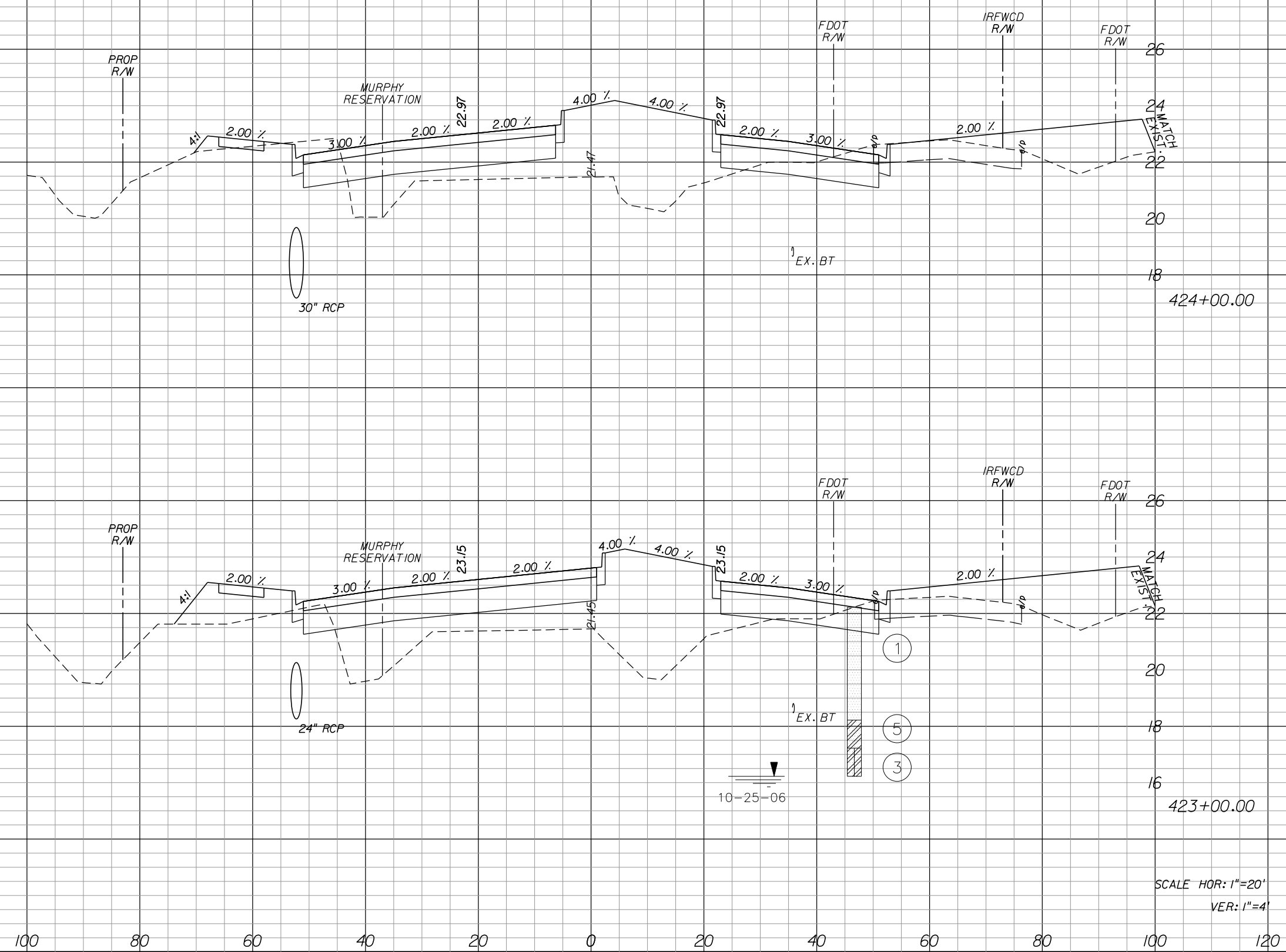
Regular Exc. Embankment Subsoil Exc.

A V A V A V

1505

IRCO Proj. No.

THE OFFICIAL RECORD OF THIS SHEET IS THE ELECTRONIC FILE DIGITALLY SIGNED AND SEALED UNDER RULE 61G15-23.004, F.A.C.



32.78	89.33	141.74	616.39	0.00	0.00
-------	-------	--------	--------	------	------

15.46	30.24	191.11	984.31	0.00	0.00
-------	-------	--------	--------	------	------

REVISIONS					
DATE	BY	DESCRIPTION	DATE	BY	DESCRIPTION

Kimley»Horn
 BRIAN A. GOOD, P.E.
 P.E. LICENSE NUMBER 56939
 445 24th STREET, SUITE 200
 VERO BEACH, FL 32960
 (772) 794-4100
 CERTIFICATE OF AUTHORIZATION# 00000696

INDIAN RIVER COUNTY
BOARD OF COUNTY COMMISSIONERS
66th AVENUE ROADWAY WIDENING -
PHASE IB 49th STREET TO 69th STREET

66th AVENUE
CROSS SECTIONS

SHEET NO.
126

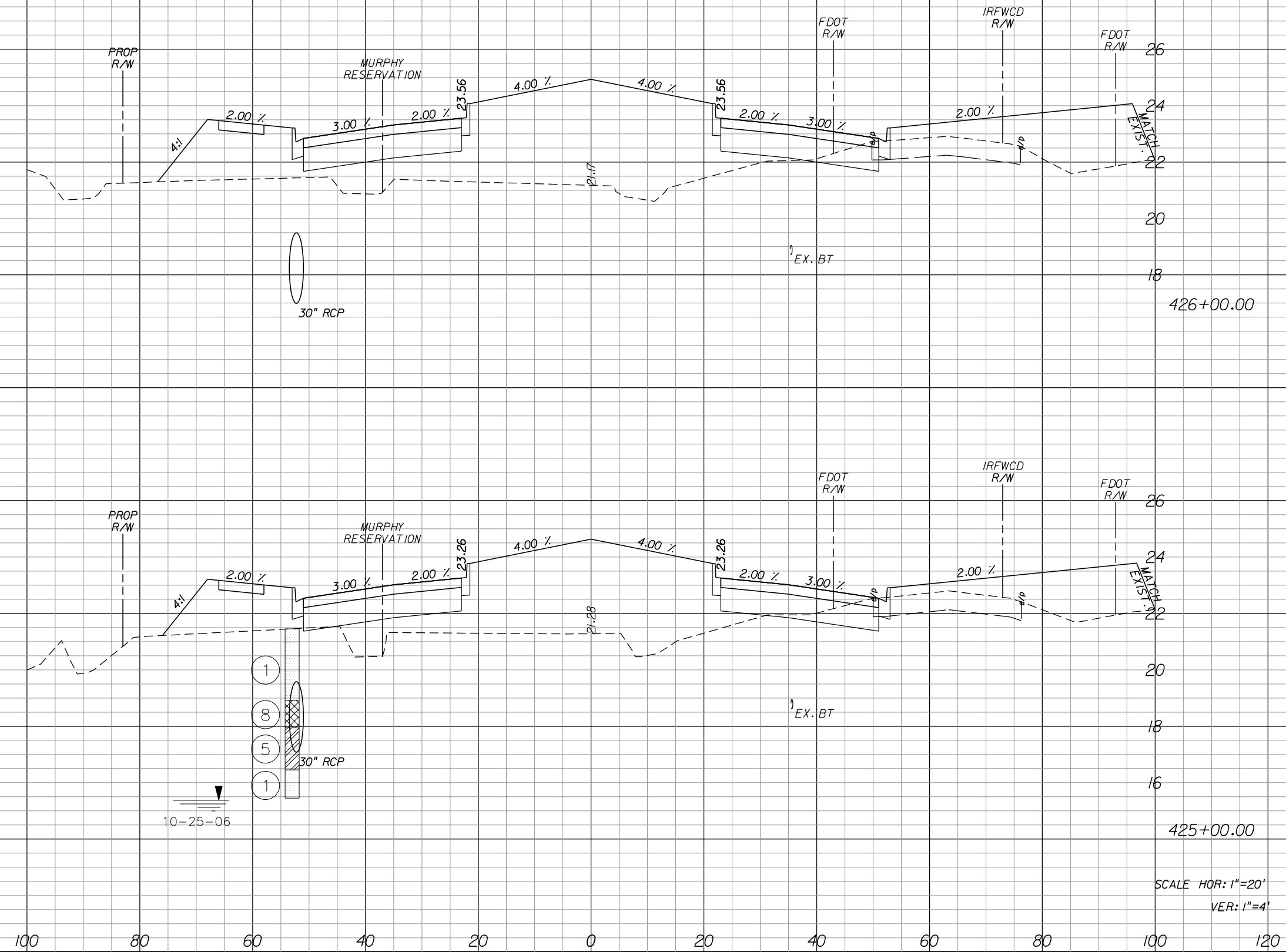
Regular Exc. Embankment Subsoil Exc.

A V A V A V

1505

IRCO Proj. No.

THE OFFICIAL RECORD OF THIS SHEET IS THE ELECTRONIC FILE DIGITALLY SIGNED AND SEALED UNDER RULE 61G15-23.004, F.A.C.



8.19	36.13	269.58	926.26	0.00	0.00
------	-------	--------	--------	------	------

11.32	81.67	230.60	689.52	0.00	0.00
-------	-------	--------	--------	------	------

SCALE HOR: 1"=20'
VER: 1"=4'

REVISIONS					
DATE	BY	DESCRIPTION	DATE	BY	DESCRIPTION

Kimley»Horn
 BRIAN A. GOOD, P.E.
 P.E. LICENSE NUMBER 56939
 445 24th STREET, SUITE 200
 VERO BEACH, FL 32960
 (772) 794-4100
 CERTIFICATE OF AUTHORIZATION# 00000696

**INDIAN RIVER COUNTY
 BOARD OF COUNTY COMMISSIONERS**
**66th AVENUE ROADWAY WIDENING -
 PHASE IB 49th STREET TO 69th STREET**

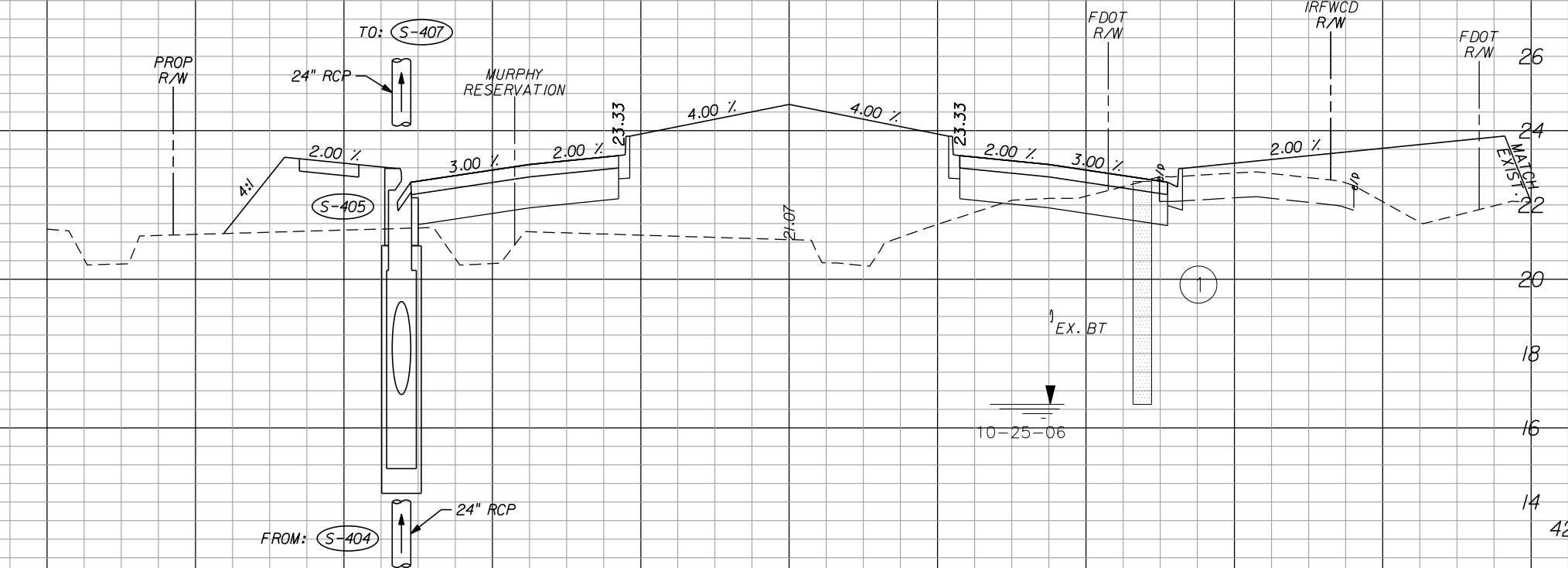
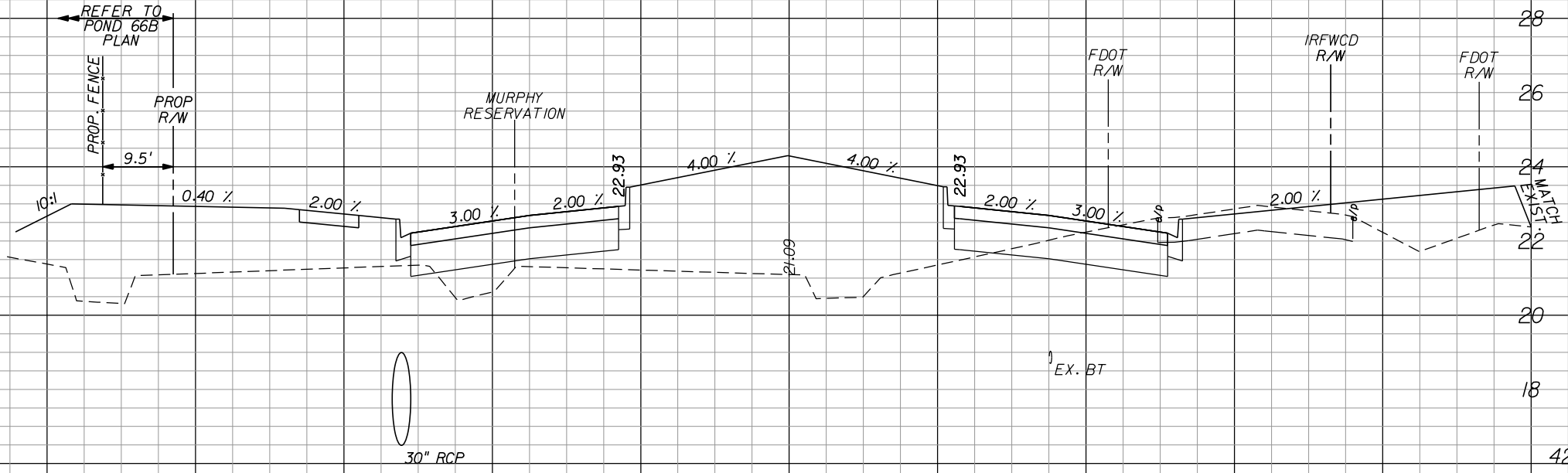
**66th AVENUE
 CROSS SECTIONS**

SHEET NO.
127

Regular Exc. Embankment Subsoil Exc.

A V A V A V

23.49	70.00	248.42	921.65	0.00	0.00
14.31	41.67	249.27	960.83	0.00	0.00



SCALE HOR: 1"=20'
VER: 1"=4'

REVISIONS					
DATE	BY	DESCRIPTION	DATE	BY	DESCRIPTION

Kimley»Horn
BRIAN A. GOOD, P.E.
P.E. LICENSE NUMBER 56939
445 24th STREET, SUITE 200
VERO BEACH, FL 32960
(772) 794-4100
CERTIFICATE OF AUTHORIZATION# 00000696

**INDIAN RIVER COUNTY
BOARD OF COUNTY COMMISSIONERS**
**66th AVENUE ROADWAY WIDENING -
PHASE IB 49th STREET TO 69th STREET**

**66th AVENUE
CROSS SECTIONS**

SHEET NO. 128

THE OFFICIAL RECORD OF THIS SHEET IS THE ELECTRONIC FILE DIGITALLY SIGNED AND SEALED UNDER RULE 61G15-23.004, F.A.C. I.R.CO. Proj. No. 1505

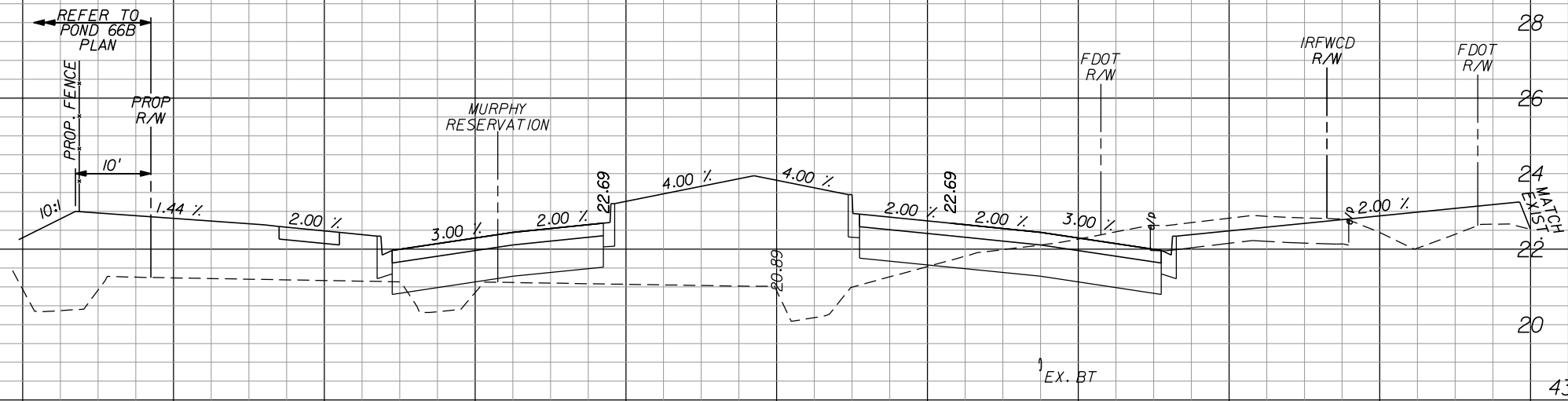
Regular Exc. Embankment Subsoil Exc.

A V A V A V

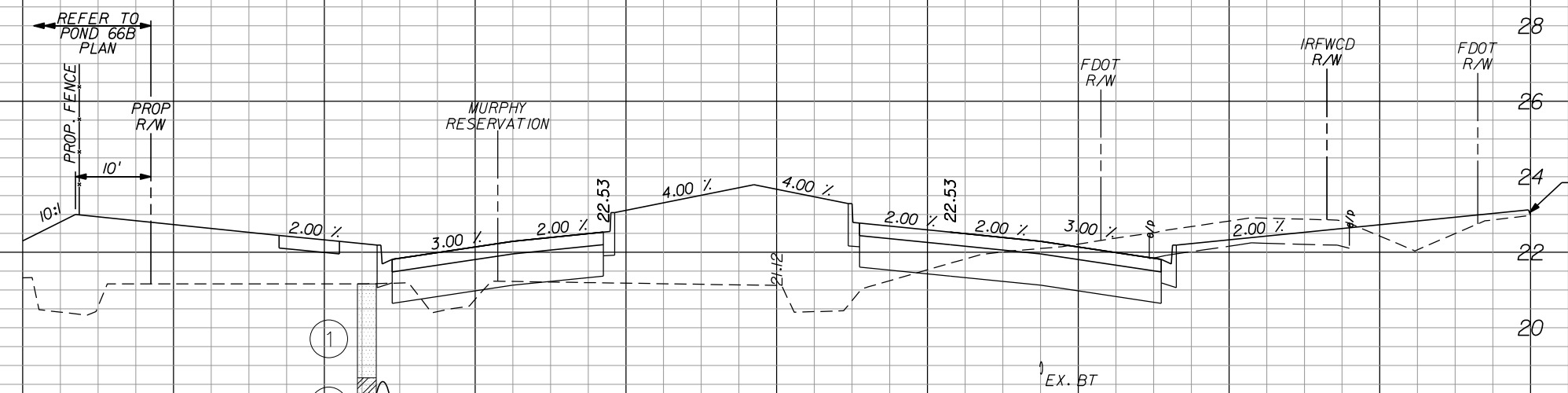
1505

IRCO Proj. No.

THE OFFICIAL RECORD OF THIS SHEET IS THE ELECTRONIC FILE DIGITALLY SIGNED AND SEALED UNDER RULE 61G15-23.004, F.A.C.

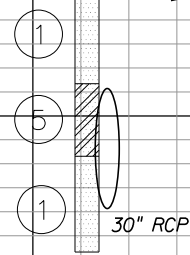


36.83	155.13	191.68	663.07	0.00	0.00
-------	--------	--------	--------	------	------



46.94	130.43	166.38	768.15	0.00	0.00
-------	--------	--------	--------	------	------

10-25-06



SCALE HOR: 1"=20'
VER: 1"=4'

100 80 60 40 20 0 20 40 60 80 100 120

REVISIONS					
DATE	BY	DESCRIPTION	DATE	BY	DESCRIPTION

Kimley»Horn
 BRIAN A. GOOD, P.E.
 P.E. LICENSE NUMBER 56939
 445 24th STREET, SUITE 200
 VERO BEACH, FL 32960
 (772) 794-4100
 CERTIFICATE OF AUTHORIZATION# 00000696

INDIAN RIVER COUNTY
BOARD OF COUNTY COMMISSIONERS
66th AVENUE ROADWAY WIDENING -
PHASE IB 49th STREET TO 69th STREET

66th AVENUE
CROSS SECTIONS

SHEET NO.
129

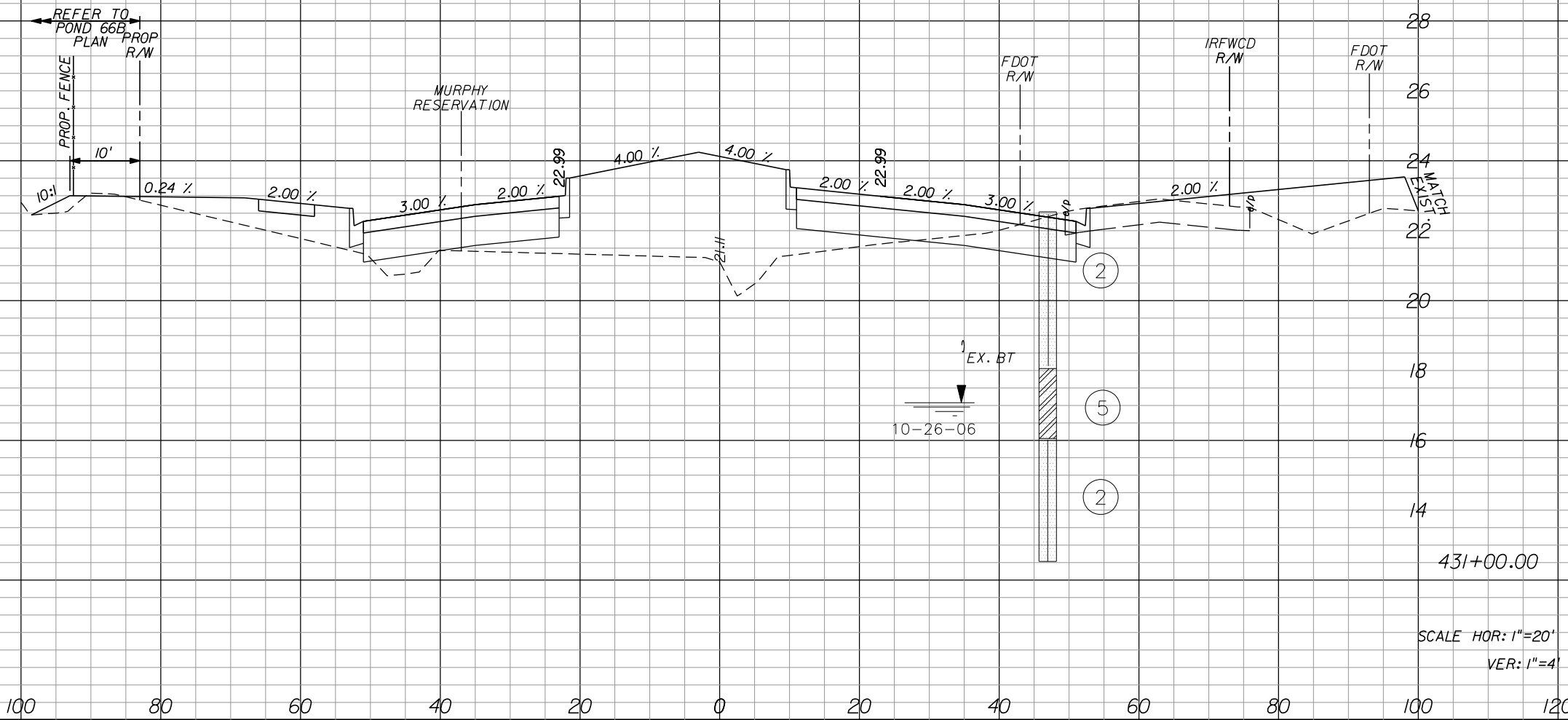
Regular Exc. Embankment Subsoil Exc.

A V A V A V

1505

IRCO Proj. No.

THE OFFICIAL RECORD OF THIS SHEET IS THE ELECTRONIC FILE DIGITALLY SIGNED AND SEALED UNDER RULE 61G15-23.004, F.A.C.



Regular Exc. A	Regular Exc. V	Embankment A	Embankment V	Subsoil Exc. A	Subsoil Exc. V
17.76	101.09	150.80	634.22	0.00	0.00

SCALE HOR: 1"=20'
VER: 1"=4'

REVISIONS					
DATE	BY	DESCRIPTION	DATE	BY	DESCRIPTION

Kimley»Horn
 BRIAN A. GOOD, P.E.
 P.E. LICENSE NUMBER 56939
 445 24th STREET, SUITE 200
 VERO BEACH, FL 32960
 (772) 794-4100
 CERTIFICATE OF AUTHORIZATION# 00000696

**INDIAN RIVER COUNTY
 BOARD OF COUNTY COMMISSIONERS**
**66th AVENUE ROADWAY WIDENING -
 PHASE IB 49th STREET TO 69th STREET**

**66th AVENUE
 CROSS SECTIONS**

SHEET NO.
130

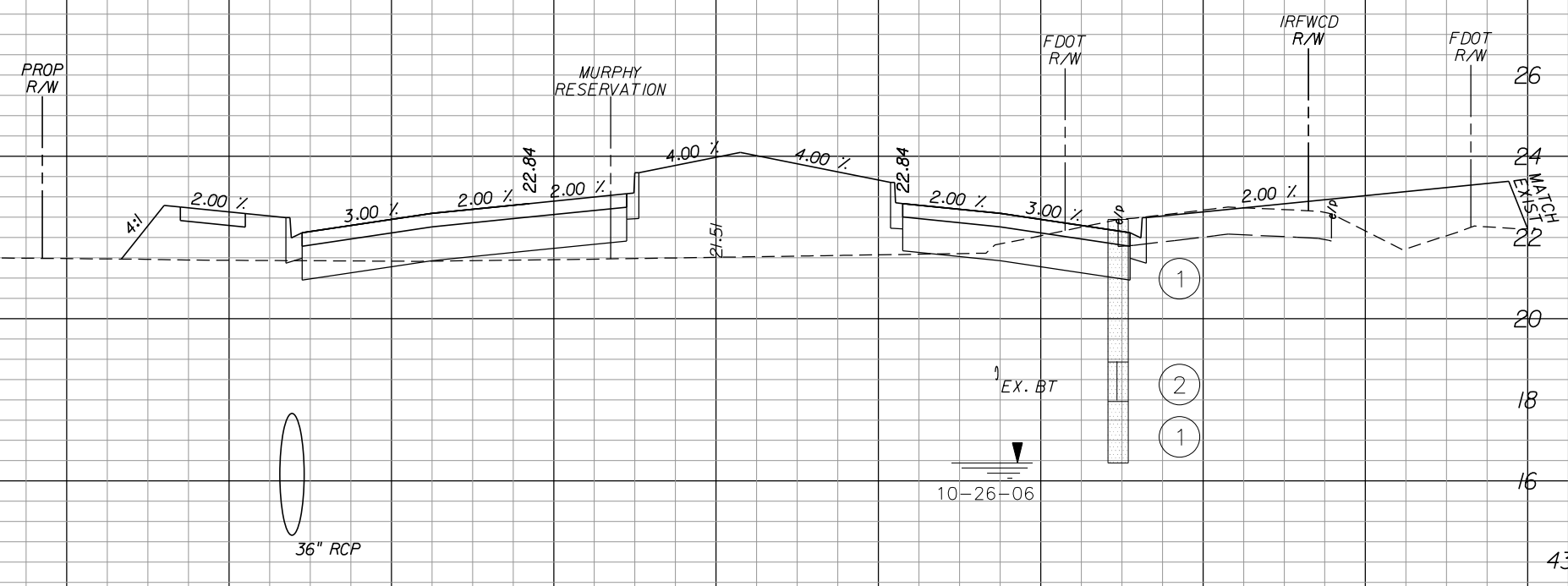
Regular Exc. Embankment Subsoil Exc.

A V A V A V

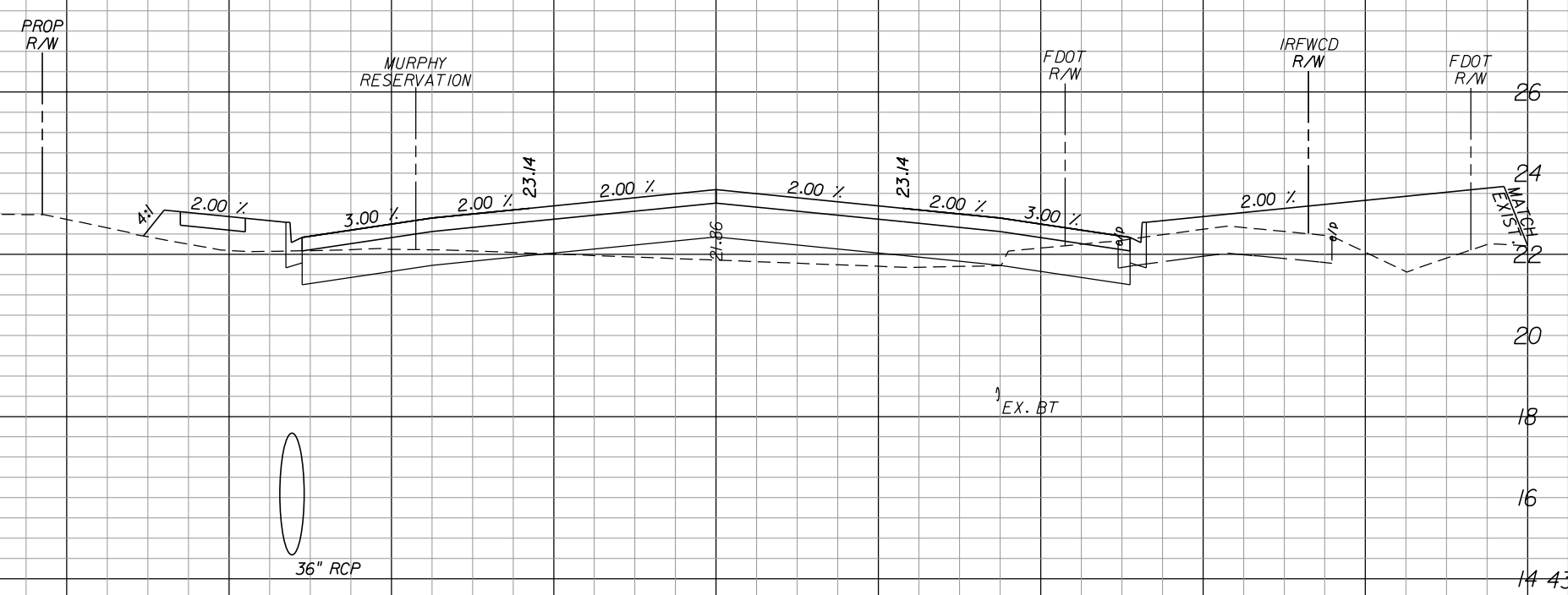
1505

IRCO Proj. No.

THE OFFICIAL RECORD OF THIS SHEET IS THE ELECTRONIC FILE DIGITALLY SIGNED AND SEALED UNDER RULE 61G15-23.004, F.A.C.



22.91	90.89	121.53	353.80	0.00	0.00
-------	-------	--------	--------	------	------



26.17	81.35	69.52	408.00	0.00	0.00
-------	-------	-------	--------	------	------

SCALE HOR: 1"=20'
VER: 1"=4'

100 80 60 40 20 0 20 40 60 80 100 120

REVISIONS					
DATE	BY	DESCRIPTION	DATE	BY	DESCRIPTION

Kimley»Horn
BRIAN A. GOOD, P.E.
P.E. LICENSE NUMBER 56939
445 24th STREET, SUITE 200
VERO BEACH, FL 32960
(772) 794-4100
CERTIFICATE OF AUTHORIZATION# 00000696

**INDIAN RIVER COUNTY
BOARD OF COUNTY COMMISSIONERS**
**66th AVENUE ROADWAY WIDENING -
PHASE IB 49th STREET TO 69th STREET**

**66th AVENUE
CROSS SECTIONS**

SHEET NO.
131

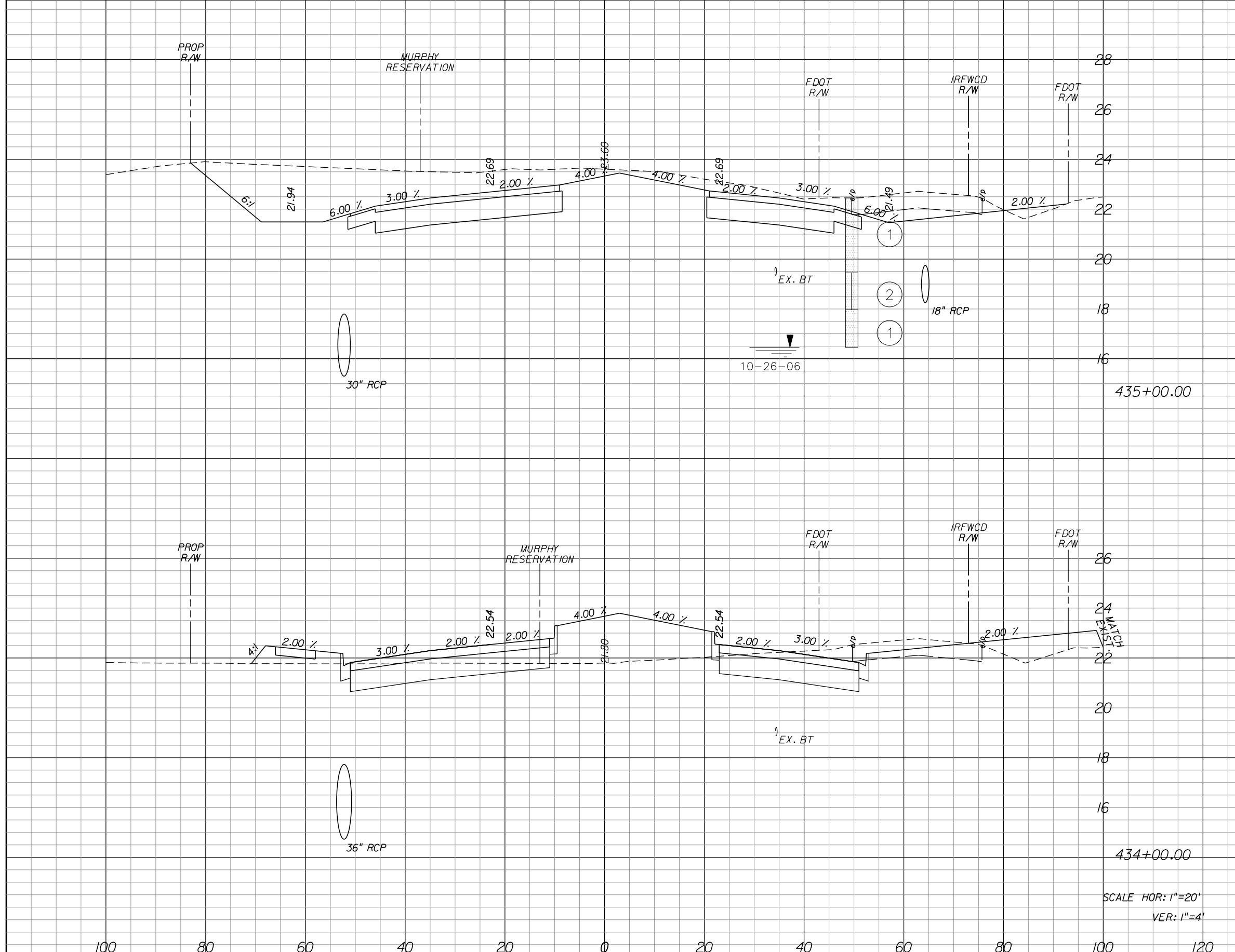
Regular Exc. Embankment Subsoil Exc.

A V A V A V

1505

IRCO Proj. No.

THE OFFICIAL RECORD OF THIS SHEET IS THE ELECTRONIC FILE DIGITALLY SIGNED AND SEALED UNDER RULE 61G15-23.004, F.A.C.



218.43	531.43	2.59	140.06	0.00	0.00
--------	--------	------	--------	------	------

68.54	169.35	73.04	360.31	0.00	0.00
-------	--------	-------	--------	------	------

REVISIONS					
DATE	BY	DESCRIPTION	DATE	BY	DESCRIPTION

Kimley»Horn
 BRIAN A. GOOD, P.E.
 P.E. LICENSE NUMBER 56939
 445 24th STREET, SUITE 200
 VERO BEACH, FL 32960
 (772) 794-4100
 CERTIFICATE OF AUTHORIZATION# 00000696

**INDIAN RIVER COUNTY
 BOARD OF COUNTY COMMISSIONERS**
**66th AVENUE ROADWAY WIDENING -
 PHASE IB 49th STREET TO 69th STREET**

**66th AVENUE
 CROSS SECTIONS**

SHEET NO.
132

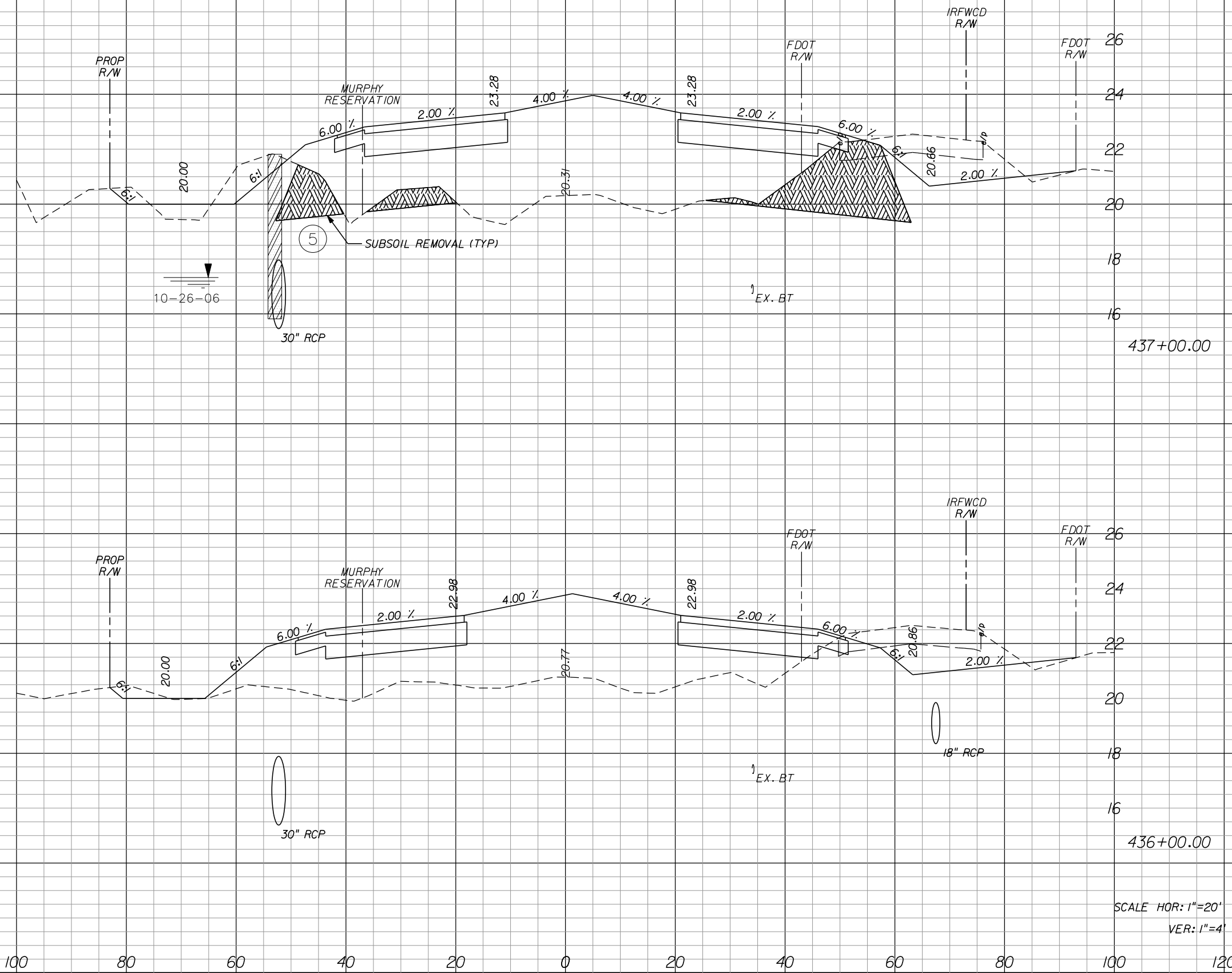
Regular Exc. Embankment Subsoil Exc.

A V A V A V

1505

IRCO Proj. No.

THE OFFICIAL RECORD OF THIS SHEET IS THE ELECTRONIC FILE DIGITALLY SIGNED AND SEALED UNDER RULE 61G15-23.004, F.A.C.



115.29	285.63	233.43	795.59	68.42	126.70
--------	--------	--------	--------	-------	--------

38.95	476.63	196.19	368.11	0.00	0.00
-------	--------	--------	--------	------	------

SCALE HOR: 1"=20'
VER: 1"=4'

REVISIONS					
DATE	BY	DESCRIPTION	DATE	BY	DESCRIPTION

Kimley»Horn
 BRIAN A. GOOD, P.E.
 P.E. LICENSE NUMBER 56939
 445 24th STREET, SUITE 200
 VERO BEACH, FL 32960
 (772) 794-4100
 CERTIFICATE OF AUTHORIZATION# 00000696

**INDIAN RIVER COUNTY
 BOARD OF COUNTY COMMISSIONERS**
**66th AVENUE ROADWAY WIDENING -
 PHASE IB 49th STREET TO 69th STREET**

**66th AVENUE
 CROSS SECTIONS**

SHEET NO.
133

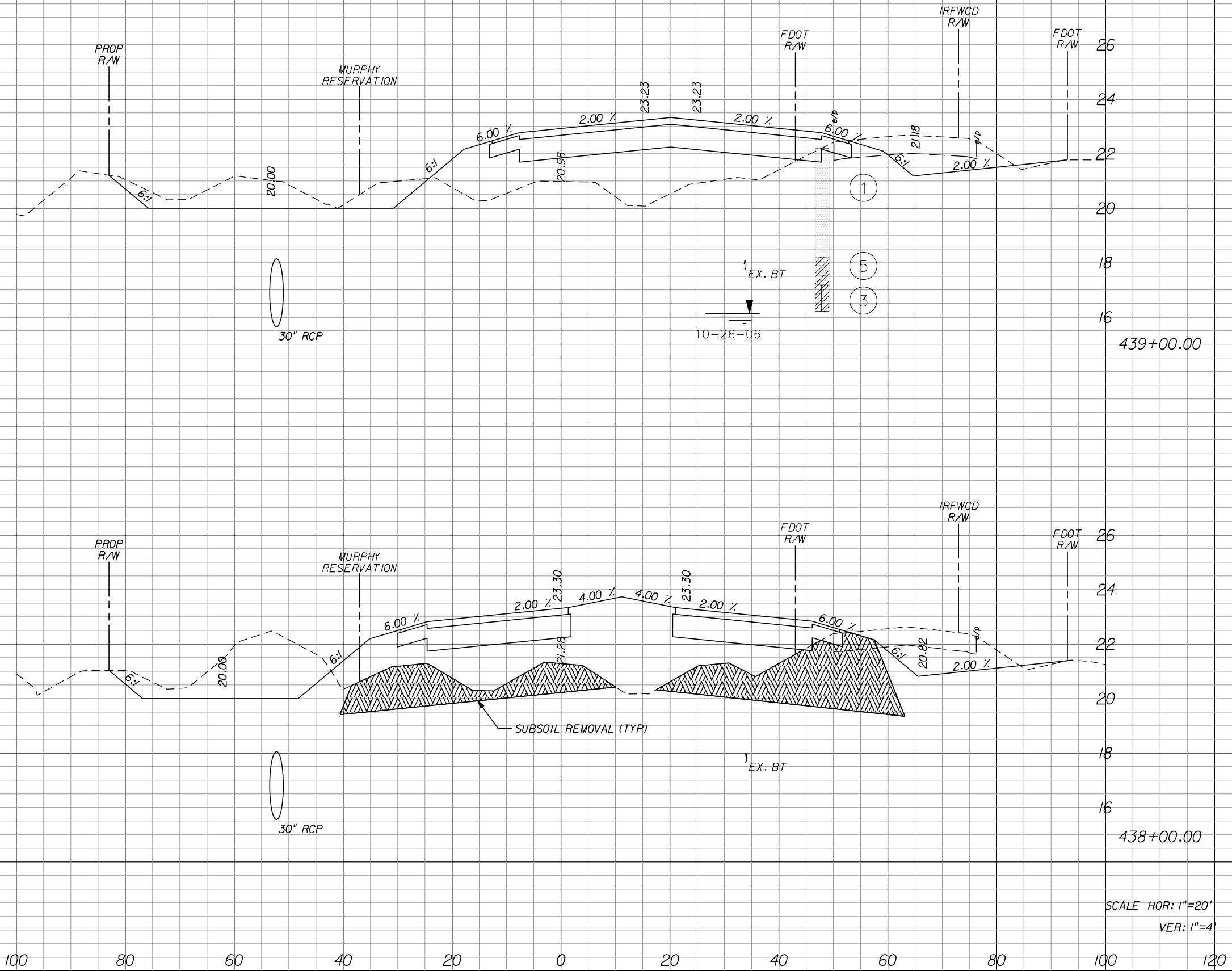
Regular Exc. Embankment Subsoil Exc.

A V A V A V

1505

IRCO Proj. No.

THE OFFICIAL RECORD OF THIS SHEET IS THE ELECTRONIC FILE DIGITALLY SIGNED AND SEALED UNDER RULE 61G15-23.004, F.A.C.



64.48	486.04	81.19	385.98	0.00	211.19
-------	--------	-------	--------	------	--------

197.98	580.13	127.24	667.91	114.01	337.89
--------	--------	--------	--------	--------	--------

SCALE HOR: 1"=20'
VER: 1"=4'

REVISIONS					
DATE	BY	DESCRIPTION	DATE	BY	DESCRIPTION

Kimley»Horn
 BRIAN A. GOOD, P.E.
 P.E. LICENSE NUMBER 56939
 445 24th STREET, SUITE 200
 VERO BEACH, FL 32960
 (772) 794-4100
 CERTIFICATE OF AUTHORIZATION# 00000696

**INDIAN RIVER COUNTY
 BOARD OF COUNTY COMMISSIONERS**
**66th AVENUE ROADWAY WIDENING -
 PHASE IB 49th STREET TO 69th STREET**

**66th AVENUE
 CROSS SECTIONS**

SHEET NO.
134

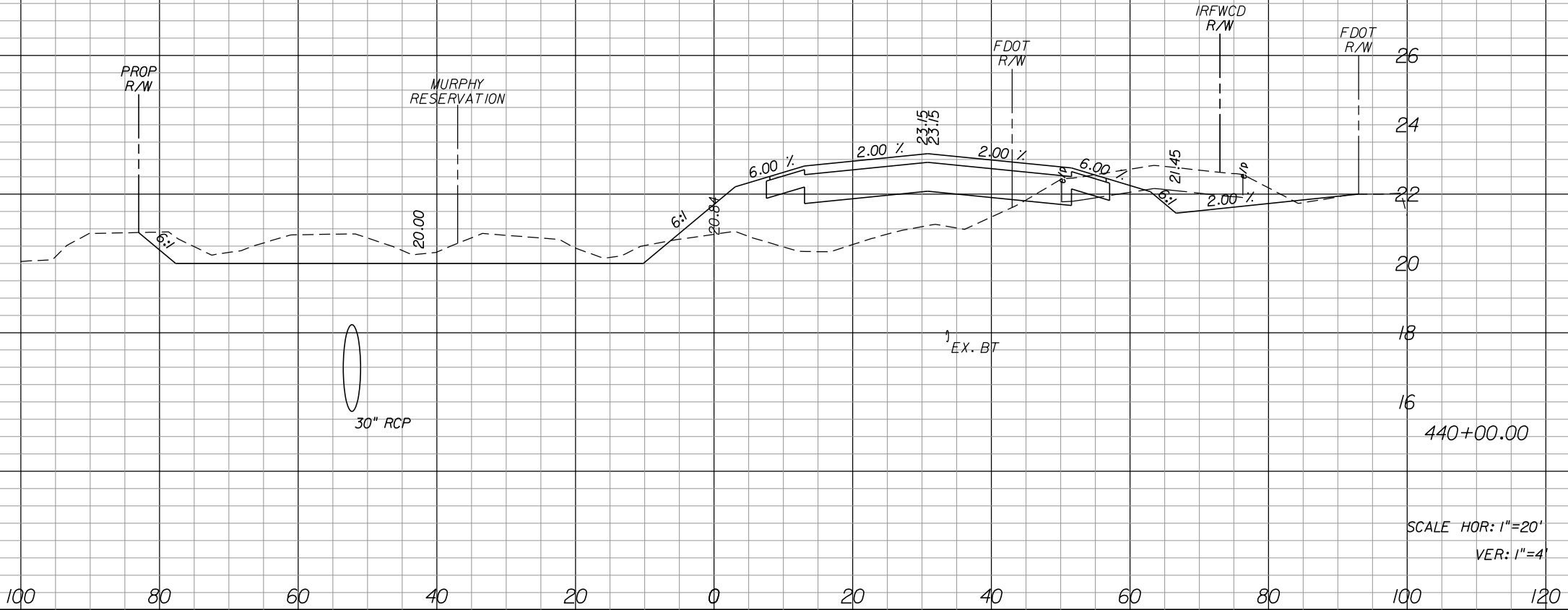
Regular Exc. Embankment Subsoil Exc.

A V A V A V

1505

IRCO Proj. No.

THE OFFICIAL RECORD OF THIS SHEET IS THE ELECTRONIC FILE DIGITALLY SIGNED AND SEALED UNDER RULE 61G15-23.004, F.A.C.



Station	Regular Exc. A	Regular Exc. V	Embankment A	Embankment V	Subsoil Exc. A	Subsoil Exc. V
440+00.00	68.43	246.13	53.73	249.85	0.00	0.00

SCALE HOR: 1"=20'
VER: 1"=4'

REVISIONS					
DATE	BY	DESCRIPTION	DATE	BY	DESCRIPTION

Kimley»Horn
BRIAN A. GOOD, P.E.
 P.E. LICENSE NUMBER 56939
 445 24th STREET, SUITE 200
 VERO BEACH, FL 32960
 (772) 794-4100
 CERTIFICATE OF AUTHORIZATION# 00000696

**INDIAN RIVER COUNTY
 BOARD OF COUNTY COMMISSIONERS**
**66th AVENUE ROADWAY WIDENING -
 PHASE IB 49th STREET TO 69th STREET**

**66th AVENUE
 CROSS SECTIONS**

SHEET NO.
135

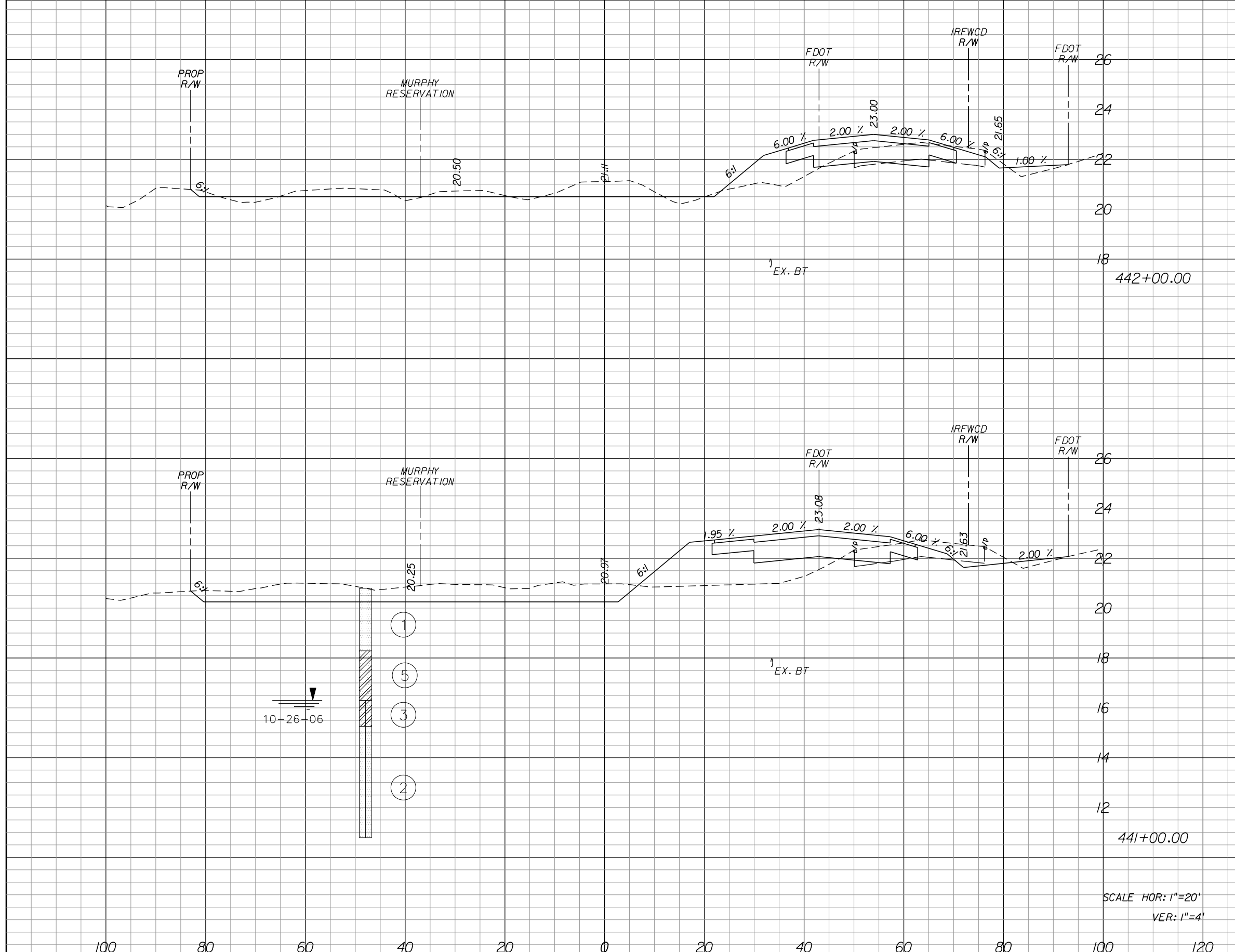
Regular Exc. Embankment Subsoil Exc.

A V A V A V

1505

IRCO Proj. No.

THE OFFICIAL RECORD OF THIS SHEET IS THE ELECTRONIC FILE DIGITALLY SIGNED AND SEALED UNDER RULE 61G15-23.004, F.A.C.



442+00.00	37.89	203.81	21.14	116.04	0.00	0.00
441+00.00	72.17	260.37	41.52	176.39	0.00	0.00

SCALE HOR: 1"=20'
VER: 1"=4'

REVISIONS					
DATE	BY	DESCRIPTION	DATE	BY	DESCRIPTION

Kimley»Horn
 BRIAN A. GOOD, P.E.
 P.E. LICENSE NUMBER 56939
 445 24th STREET, SUITE 200
 VERO BEACH, FL 32960
 (772) 794-4100
 CERTIFICATE OF AUTHORIZATION# 00000696

**INDIAN RIVER COUNTY
 BOARD OF COUNTY COMMISSIONERS**
**66th AVENUE ROADWAY WIDENING -
 PHASE IB 49th STREET TO 69th STREET**

**66th AVENUE
 CROSS SECTIONS**

SHEET NO.
136

Regular Exc. Embankment Subsoil Exc.

A V A V A V

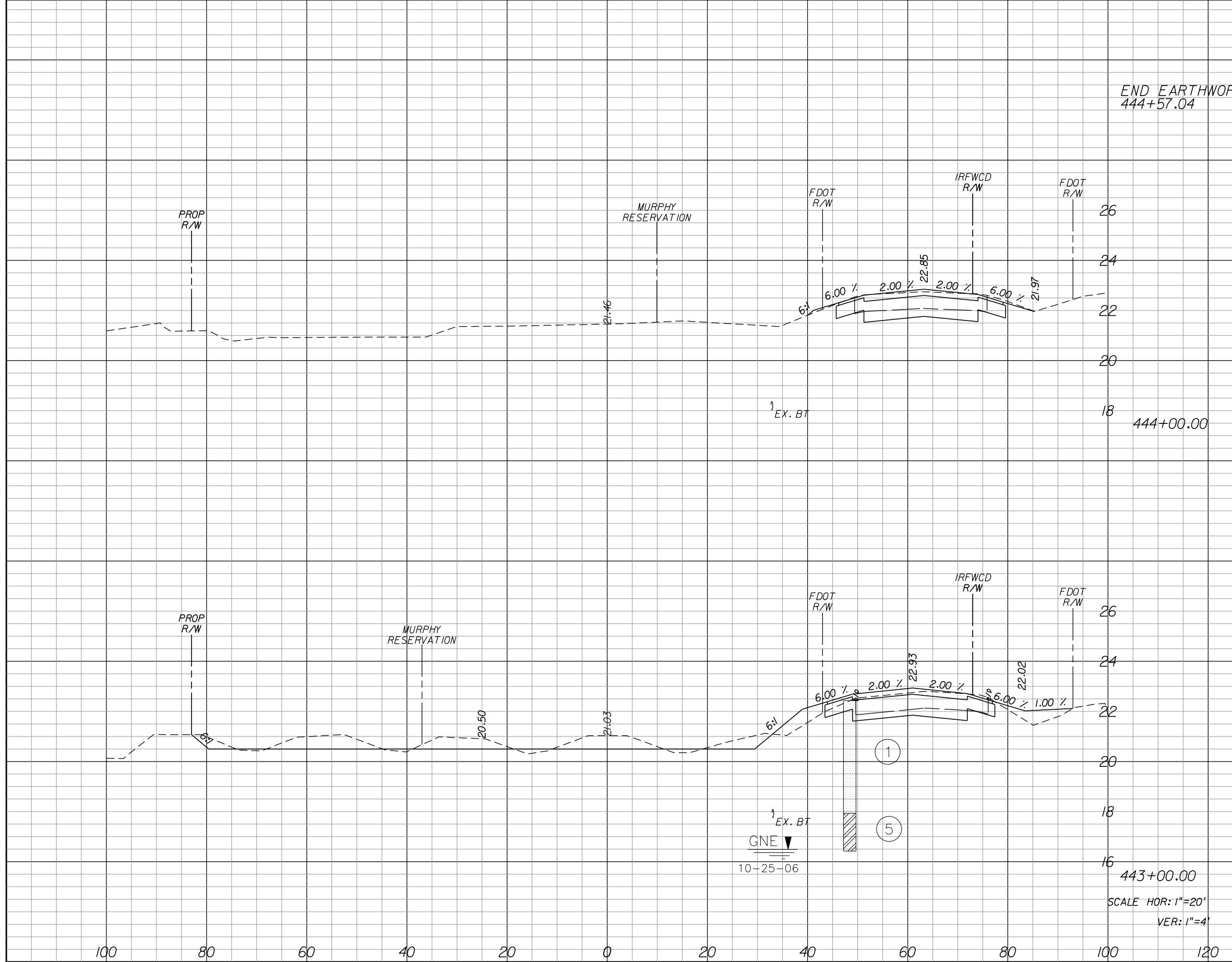
31.00	65.49	0.34	0.72	0.00	0.00
31.00	161.83	0.34	22.81	0.00	0.00
56.39	174.59	11.98	61.33	0.00	0.00

END EARTHWORK
444+57.04

444+00.00

443+00.00

SCALE HOR: 1"=20'
VER: 1"=4'



REVISIONS					
DATE	BY	DESCRIPTION	DATE	BY	DESCRIPTION

Kimley»Horn
 BRIAN A. GOOD, P.E.
 P.E. LICENSE NUMBER 56939
 445 24th STREET, SUITE 200
 VERO BEACH, FL 32960
 (772) 794-4100
 CERTIFICATE OF AUTHORIZATION# 00000696

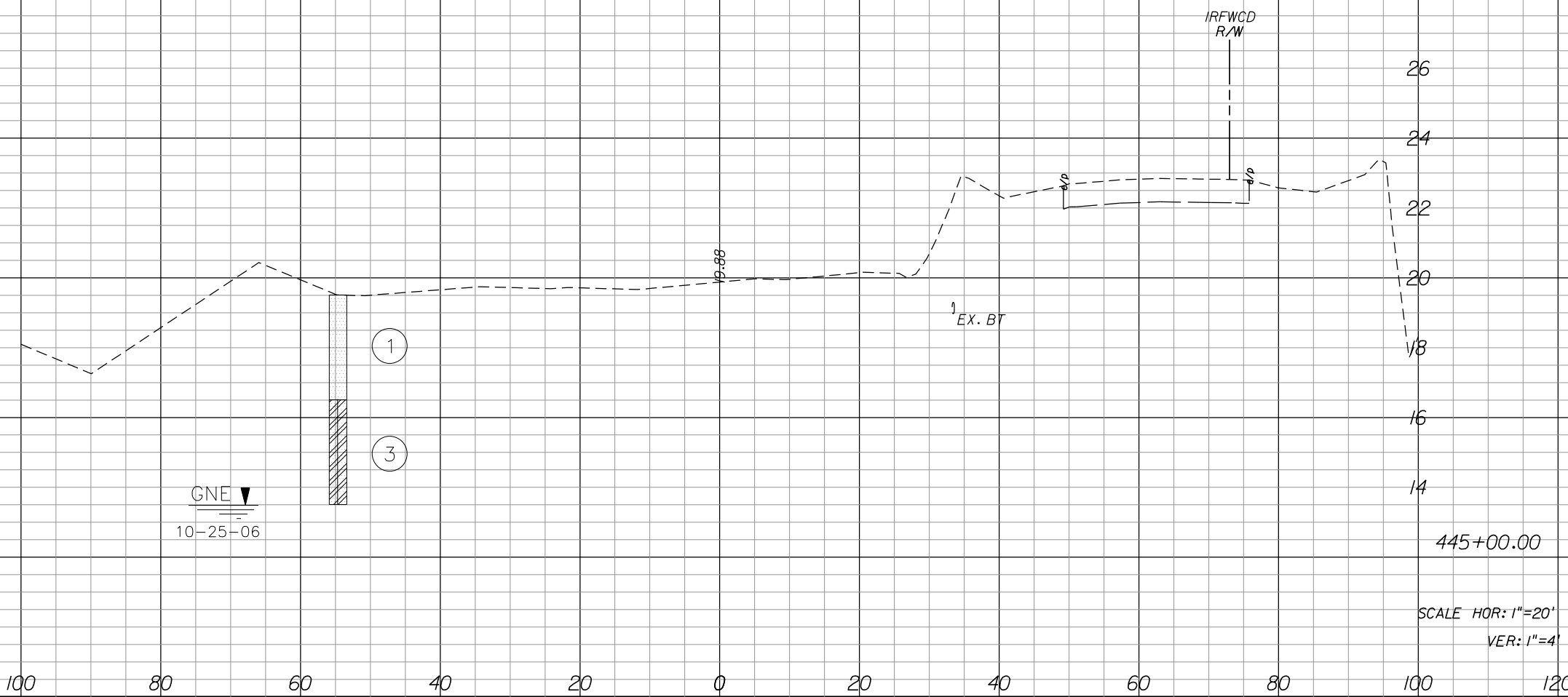
INDIAN RIVER COUNTY
BOARD OF COUNTY COMMISSIONERS
66th AVENUE ROADWAY WIDENING -
PHASE IB 49th STREET TO 69th STREET

66th AVENUE
CROSS SECTIONS

SHEET NO.
137

THE OFFICIAL RECORD OF THIS SHEET IS THE ELECTRONIC FILE DIGITALLY SIGNED AND SEALED UNDER RULE 61G15-23.004, F.A.C. I.R.CO. Proj. No. 1505

66th AVENUE EARTHWORK SUMMARY
 REGULAR EXCAVATION = 8,533 CY
 EMBANKMENT = 100,527 CY
 SUBSOIL EXCAVATION = 1,499 CY



Regular Exc.		Embankment		Subsoil Exc.	
A	V	A	V	A	V

REVISIONS					
DATE	BY	DESCRIPTION	DATE	BY	DESCRIPTION

Kimley»Horn
 BRIAN A. GOOD, P.E.
 P.E. LICENSE NUMBER 56939
 445 24th STREET, SUITE 200
 VERO BEACH, FL 32960
 (772) 794-4100
 CERTIFICATE OF AUTHORIZATION# 00000696

**INDIAN RIVER COUNTY
 BOARD OF COUNTY COMMISSIONERS**
 66th AVENUE ROADWAY WIDENING -
 PHASE IB 49th STREET TO 69th STREET

**66th AVENUE
 CROSS SECTIONS**

SHEET NO.
 138

THE OFFICIAL RECORD OF THIS SHEET IS THE ELECTRONIC FILE DIGITALLY SIGNED AND SEALED UNDER RULE 61G15-23.004, F.A.C. I.R.CO. Proj. No. 1505

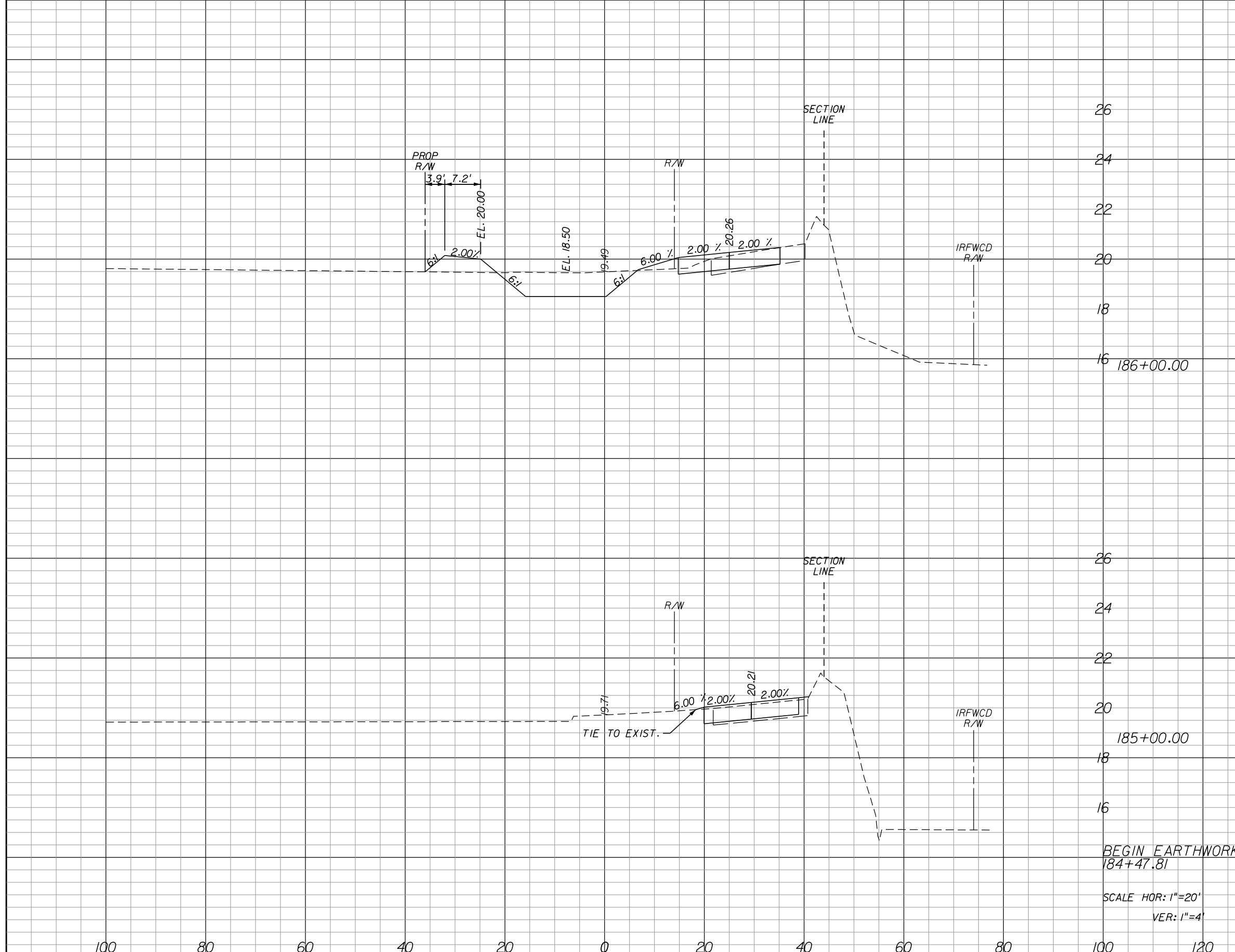
Regular Exc. Embankment Subsoil Exc.

A V A V A V

1505

IRCO Proj. No.

THE OFFICIAL RECORD OF THIS SHEET IS THE ELECTRONIC FILE DIGITALLY SIGNED AND SEALED UNDER RULE 61G15-23.004, F.F.C.



37.98 90.61 8.42 16.04 0.00 0.00

10.95 21.17 0.24 0.46 0.00 0.00

10.95 0.00 0.24 0.00 0.00 0.00

BEGIN EARTHWORK
184+47.81

SCALE HOR: 1"=20'

VER: 1"=4'

REVISIONS					
DATE	BY	DESCRIPTION	DATE	BY	DESCRIPTION

Kimley»Horn
 BRIAN A. GOOD, P.E.
 P.E. LICENSE NUMBER 56939
 445 24th STREET, SUITE 200
 VERO BEACH, FL 32960
 (772) 794-4100
 CERTIFICATE OF AUTHORIZATION# 00000696

**INDIAN RIVER COUNTY
 BOARD OF COUNTY COMMISSIONERS**
**66th AVENUE ROADWAY WIDENING -
 PHASE IB 49th STREET TO 69th STREET**

**61st STREET
 CROSS SECTIONS**

SHEET NO.
139

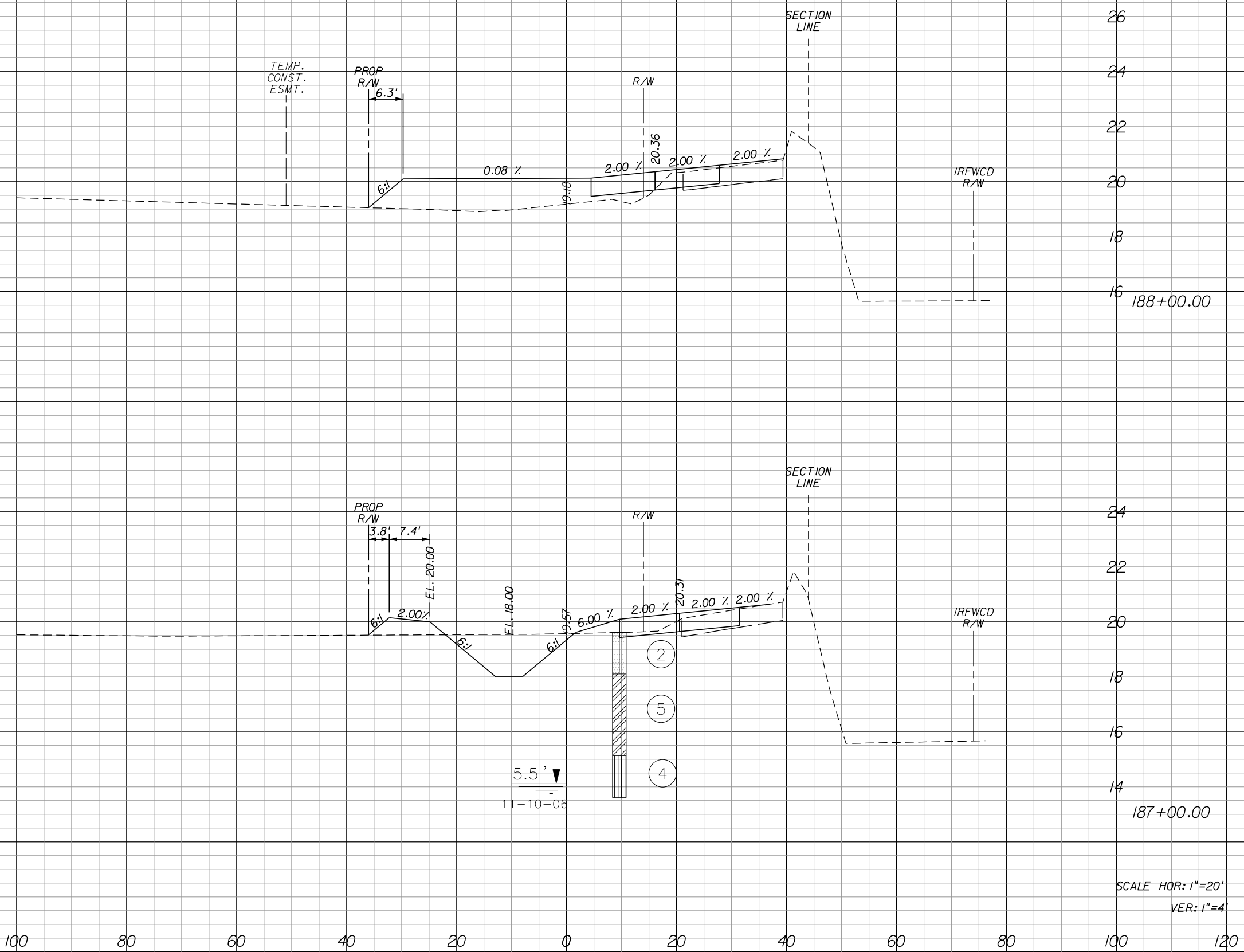
Regular Exc. Embankment Subsoil Exc.

A V A V A V

1505

IRCO Proj. No.

THE OFFICIAL RECORD OF THIS SHEET IS THE ELECTRONIC FILE DIGITALLY SIGNED AND SEALED UNDER RULE 61G15-23.004, F.F.C.



5.78	65.33	44.08	96.83	0.00	0.00
29.50	124.96	8.21	30.80	0.00	0.00

SCALE HOR: 1"=20'
VER: 1"=4'

REVISIONS					
DATE	BY	DESCRIPTION	DATE	BY	DESCRIPTION

Kimley»Horn
 BRIAN A. GOOD, P.E.
 P.E. LICENSE NUMBER 56939
 445 24th STREET, SUITE 200
 VERO BEACH, FL 32960
 (772) 794-4100
 CERTIFICATE OF AUTHORIZATION# 00000696

INDIAN RIVER COUNTY
BOARD OF COUNTY COMMISSIONERS
66th AVENUE ROADWAY WIDENING -
PHASE IB 49th STREET TO 69th STREET

61st STREET
CROSS SECTIONS

SHEET NO.
140

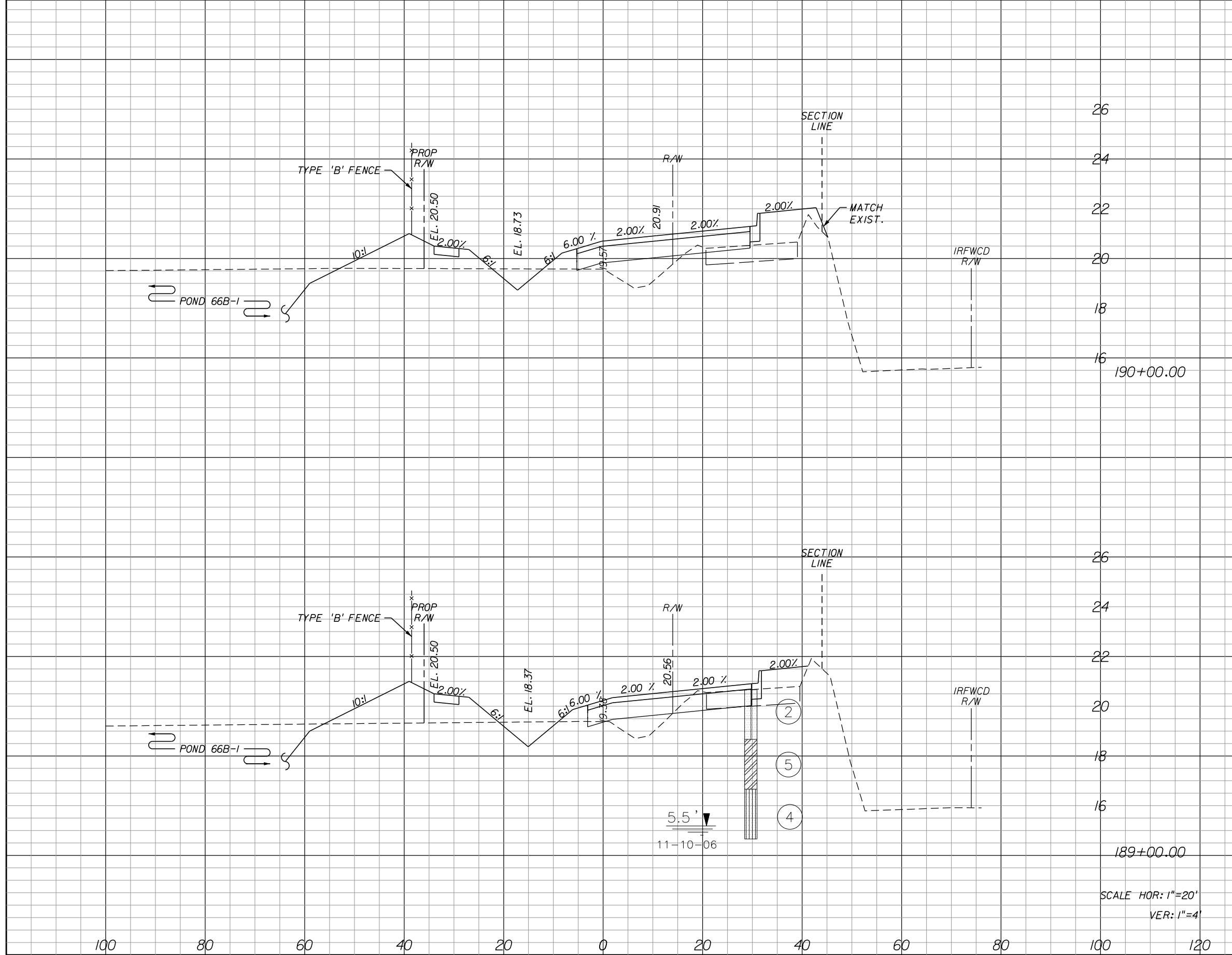
Regular Exc. Embankment Subsoil Exc.

A V A V A V

1505

IRCO Proj. No.

THE OFFICIAL RECORD OF THIS SHEET IS THE ELECTRONIC FILE DIGITALLY SIGNED AND SEALED UNDER RULE 61G15-23.004, F.F.C.



5.83	39.31	38.67	130.44	0.00	0.00
15.40	39.22	31.77	140.46	0.00	0.00

SCALE HOR: 1"=20'
VER: 1"=4'

REVISIONS					
DATE	BY	DESCRIPTION	DATE	BY	DESCRIPTION

Kimley»Horn
 BRIAN A. GOOD, P.E.
 P.E. LICENSE NUMBER 56939
 445 24th STREET, SUITE 200
 VERO BEACH, FL 32960
 (772) 794-4100
 CERTIFICATE OF AUTHORIZATION# 00000696

INDIAN RIVER COUNTY
BOARD OF COUNTY COMMISSIONERS
66th AVENUE ROADWAY WIDENING -
PHASE IB 49th STREET TO 69th STREET

61st STREET
CROSS SECTIONS

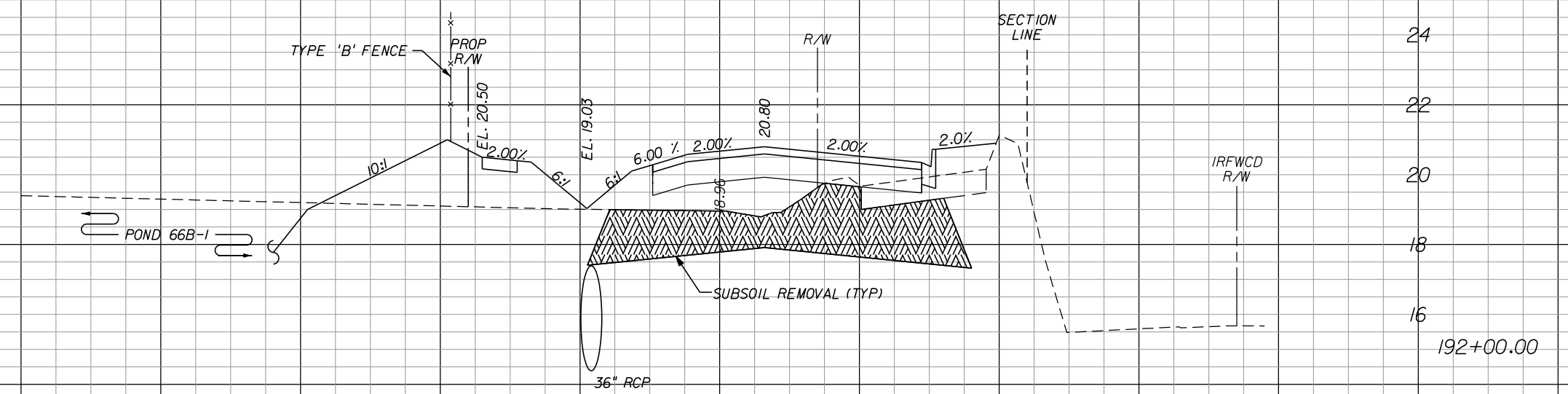
SHEET NO.
141

Regular Exc.		Embankment		Subsoil Exc.	
A	V	A	V	A	V

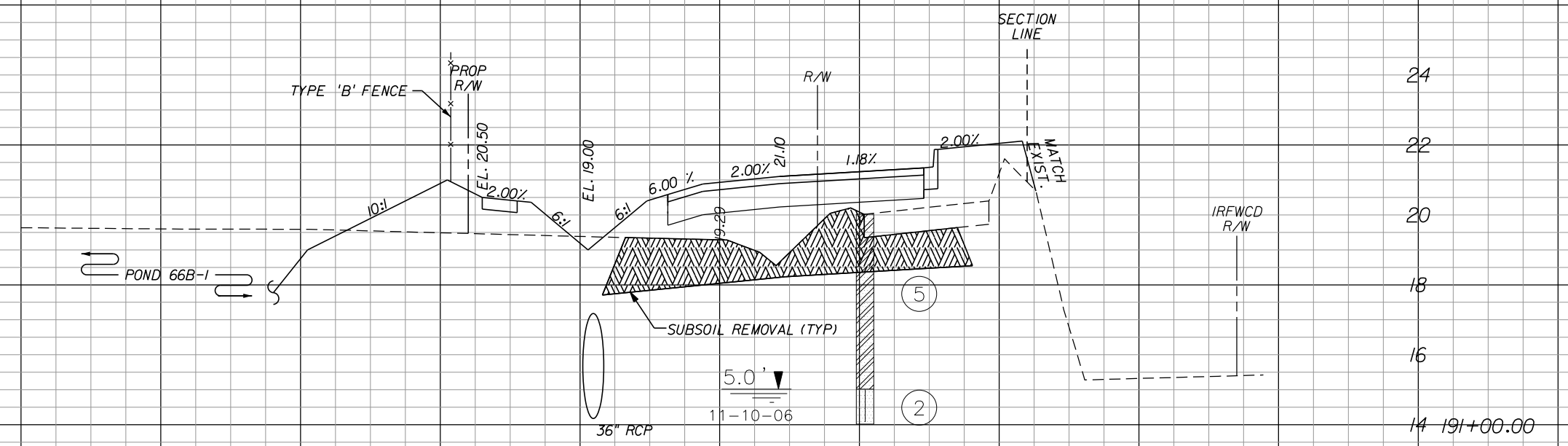
1505

IRCO Proj. No.

THE OFFICIAL RECORD OF THIS SHEET IS THE ELECTRONIC FILE DIGITALLY SIGNED AND SEALED UNDER RULE 61G15-23.004, F.F.C.



17.98	6.94	54.23	213.56	76.00	253.33
-------	------	-------	--------	-------	--------



12.15	11.85	61.09	184.74	60.80	112.59
-------	-------	-------	--------	-------	--------

SCALE HOR: 1"=20'
VER: 1"=4'

REVISIONS					
DATE	BY	DESCRIPTION	DATE	BY	DESCRIPTION

Kimley»Horn
 BRIAN A. GOOD, P.E.
 P.E. LICENSE NUMBER 56939
 445 24th STREET, SUITE 200
 VERO BEACH, FL 32960
 (772) 794-4100
 CERTIFICATE OF AUTHORIZATION# 00000696

**INDIAN RIVER COUNTY
 BOARD OF COUNTY COMMISSIONERS**
**66th AVENUE ROADWAY WIDENING -
 PHASE IB 49th STREET TO 69th STREET**

**61st STREET
 CROSS SECTIONS**

SHEET NO.
142

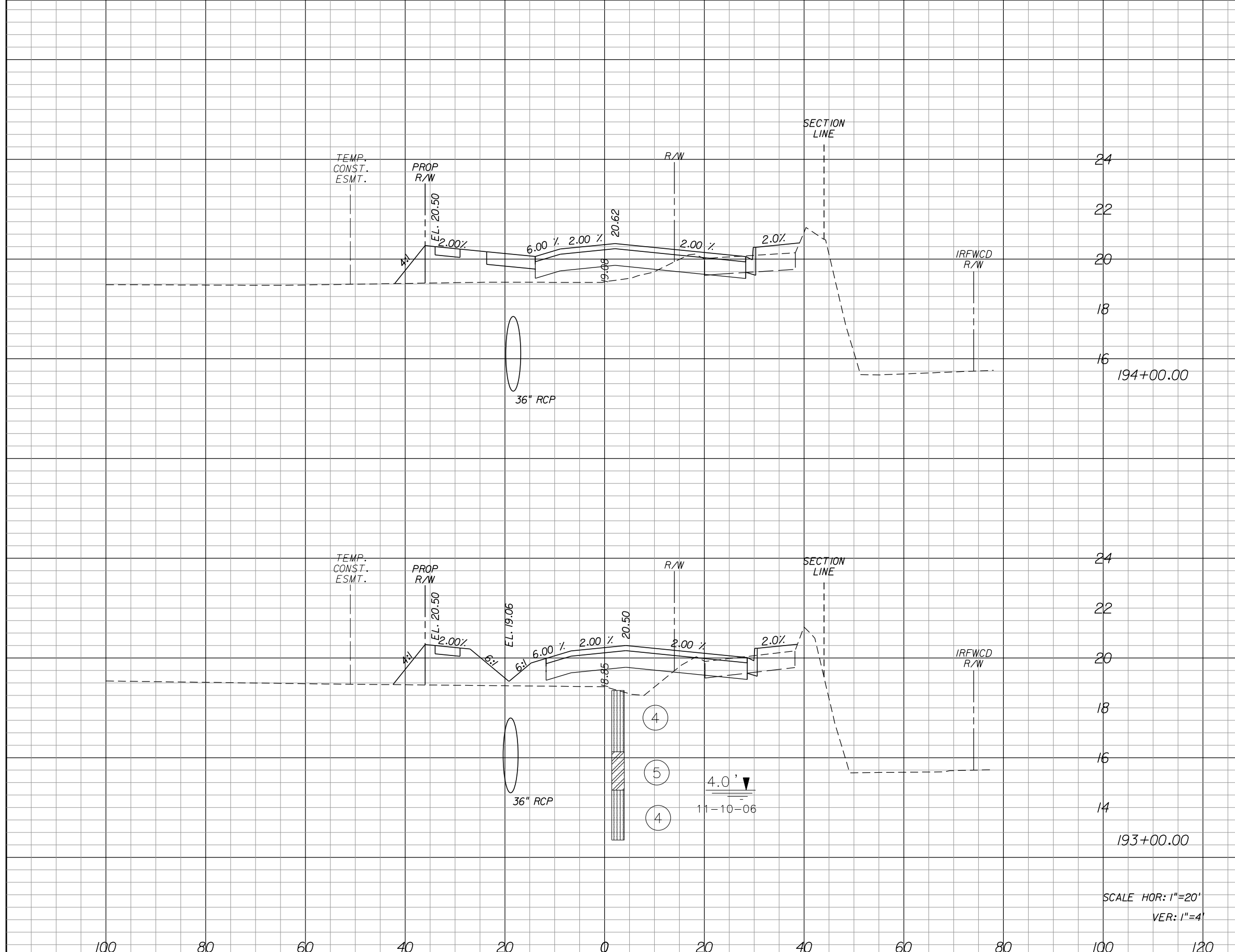
Regular Exc. Embankment Subsoil Exc.

A V A V A V

1505

IRCO Proj. No.

THE OFFICIAL RECORD OF THIS SHEET IS THE ELECTRONIC FILE DIGITALLY SIGNED AND SEALED UNDER RULE 61G15-23.004, F.F.C.



Station	Regular Exc. A	Regular Exc. V	Embankment A	Embankment V	Subsoil Exc. A	Subsoil Exc. V
194+00.00	12.26	42.39	41.03	169.26	0.00	0.00
193+00.00	10.63	25.57	50.37	193.70	0.00	140.74

SCALE HOR: 1"=20'
VER: 1"=4'

REVISIONS					
DATE	BY	DESCRIPTION	DATE	BY	DESCRIPTION

Kimley»Horn
 BRIAN A. GOOD, P.E.
 P.E. LICENSE NUMBER 56939
 445 24th STREET, SUITE 200
 VERO BEACH, FL 32960
 (772) 794-4100
 CERTIFICATE OF AUTHORIZATION# 00000696

**INDIAN RIVER COUNTY
 BOARD OF COUNTY COMMISSIONERS**
**66th AVENUE ROADWAY WIDENING -
 PHASE IB 49th STREET TO 69th STREET**

**61st STREET
 CROSS SECTIONS**

SHEET NO.
143

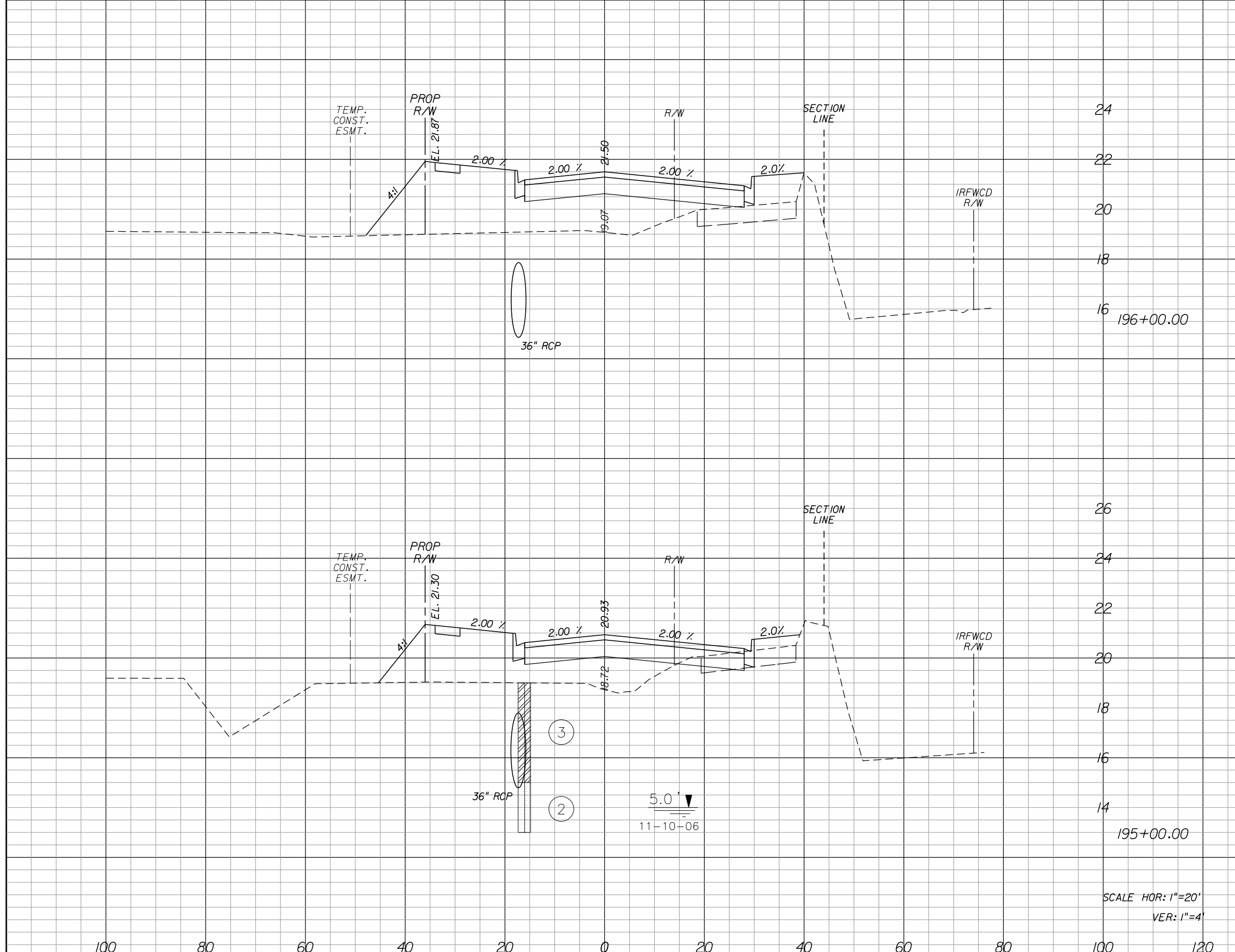
Regular Exc. Embankment Subsoil Exc.

A V A V A V

1505

IRCO Proj. No.

THE OFFICIAL RECORD OF THIS SHEET IS THE ELECTRONIC FILE DIGITALLY SIGNED AND SEALED UNDER RULE 61G15-23.004, F.F.C.



0.05	13.56	121.14	374.54	0.00	0.00
------	-------	--------	--------	------	------

7.27	36.17	81.11	226.19	0.00	0.00
------	-------	-------	--------	------	------

SCALE HOR: 1"=20'
VER: 1"=4'

REVISIONS					
DATE	BY	DESCRIPTION	DATE	BY	DESCRIPTION

Kimley»Horn
 BRIAN A. GOOD, P.E.
 P.E. LICENSE NUMBER 56939
 445 24th STREET, SUITE 200
 VERO BEACH, FL 32960
 (772) 794-4100
 CERTIFICATE OF AUTHORIZATION# 00000696

**INDIAN RIVER COUNTY
 BOARD OF COUNTY COMMISSIONERS**
**66th AVENUE ROADWAY WIDENING -
 PHASE IB 49th STREET TO 69th STREET**

**61st STREET
 CROSS SECTIONS**

SHEET NO.
144

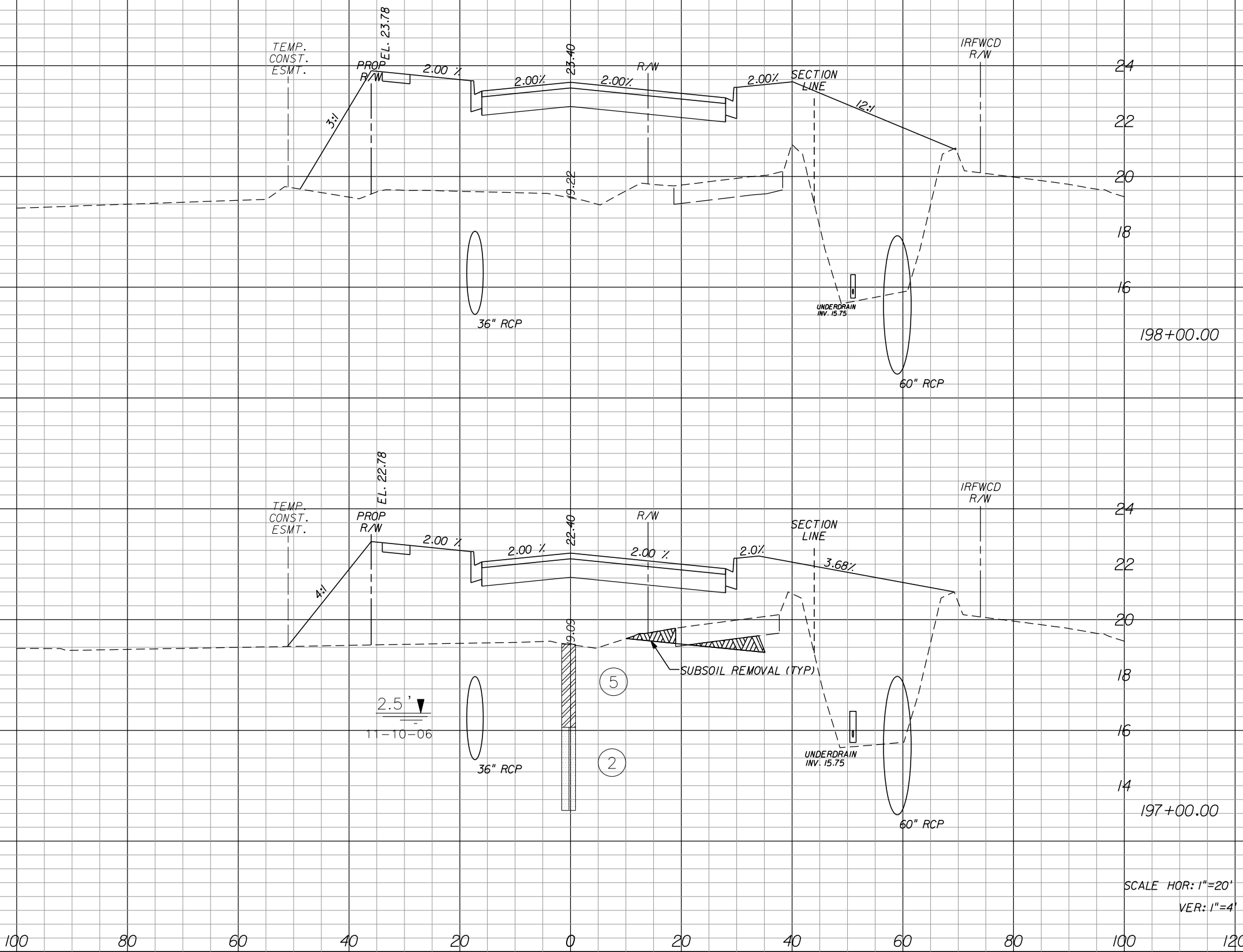
Regular Exc. Embankment Subsoil Exc.

A V A V A V

1505

IRCO Proj. No.

THE OFFICIAL RECORD OF THIS SHEET IS THE ELECTRONIC FILE DIGITALLY SIGNED AND SEALED UNDER RULE 61G15-23.004, F.F.C.



0.01	0.02	407.69	1353.57	0.00	12.44
------	------	--------	---------	------	-------

8.80	0.09	323.24	822.93	6.72	12.44
------	------	--------	--------	------	-------

SCALE HOR: 1"=20'
VER: 1"=4'

REVISIONS					
DATE	BY	DESCRIPTION	DATE	BY	DESCRIPTION

Kimley»Horn
 BRIAN A. GOOD, P.E.
 P.E. LICENSE NUMBER 56939
 445 24th STREET, SUITE 200
 VERO BEACH, FL 32960
 (772) 794-4100
 CERTIFICATE OF AUTHORIZATION# 00000696

**INDIAN RIVER COUNTY
 BOARD OF COUNTY COMMISSIONERS**
**66th AVENUE ROADWAY WIDENING -
 PHASE IB 49th STREET TO 69th STREET**

**61st STREET
 CROSS SECTIONS**

SHEET NO.
145

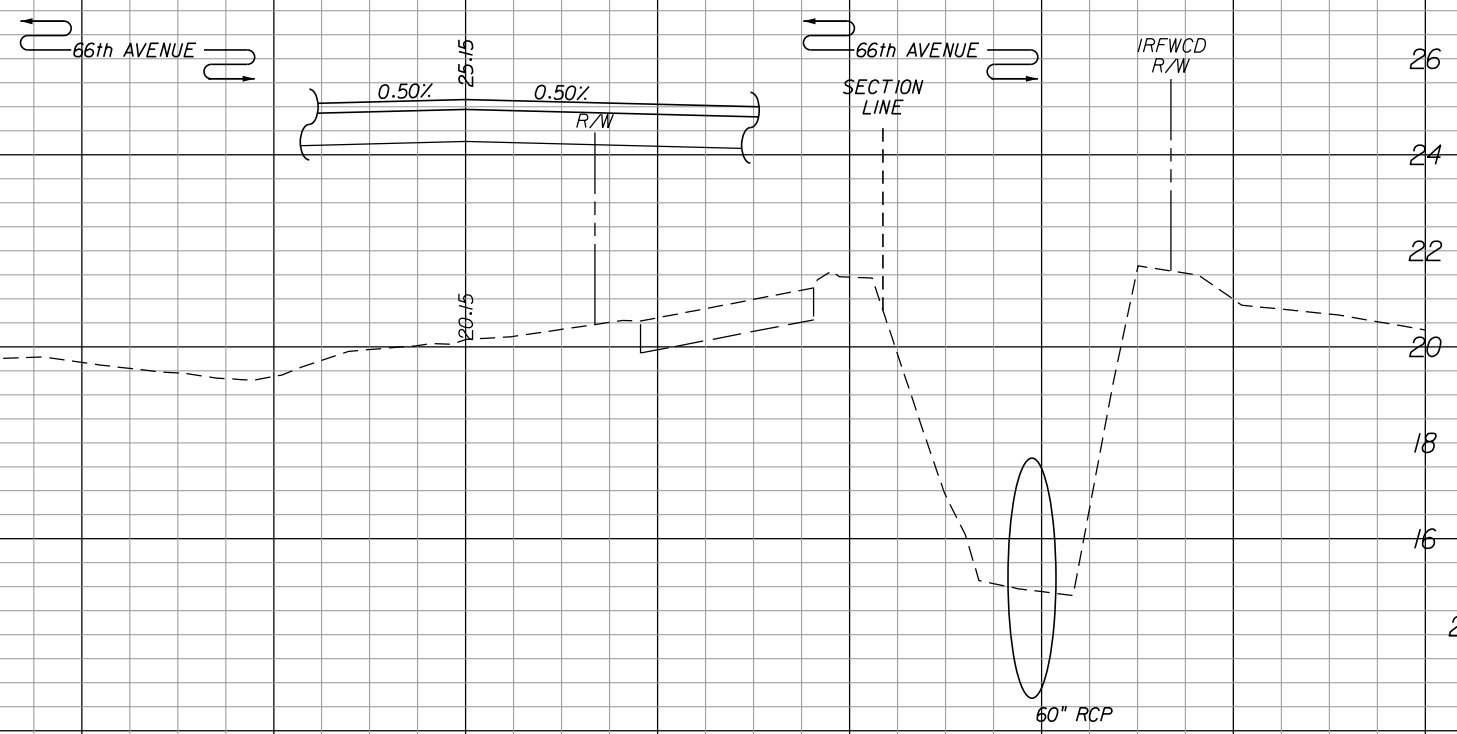
Regular Exc. Embankment Subsoil Exc.

A V A V A V

1505

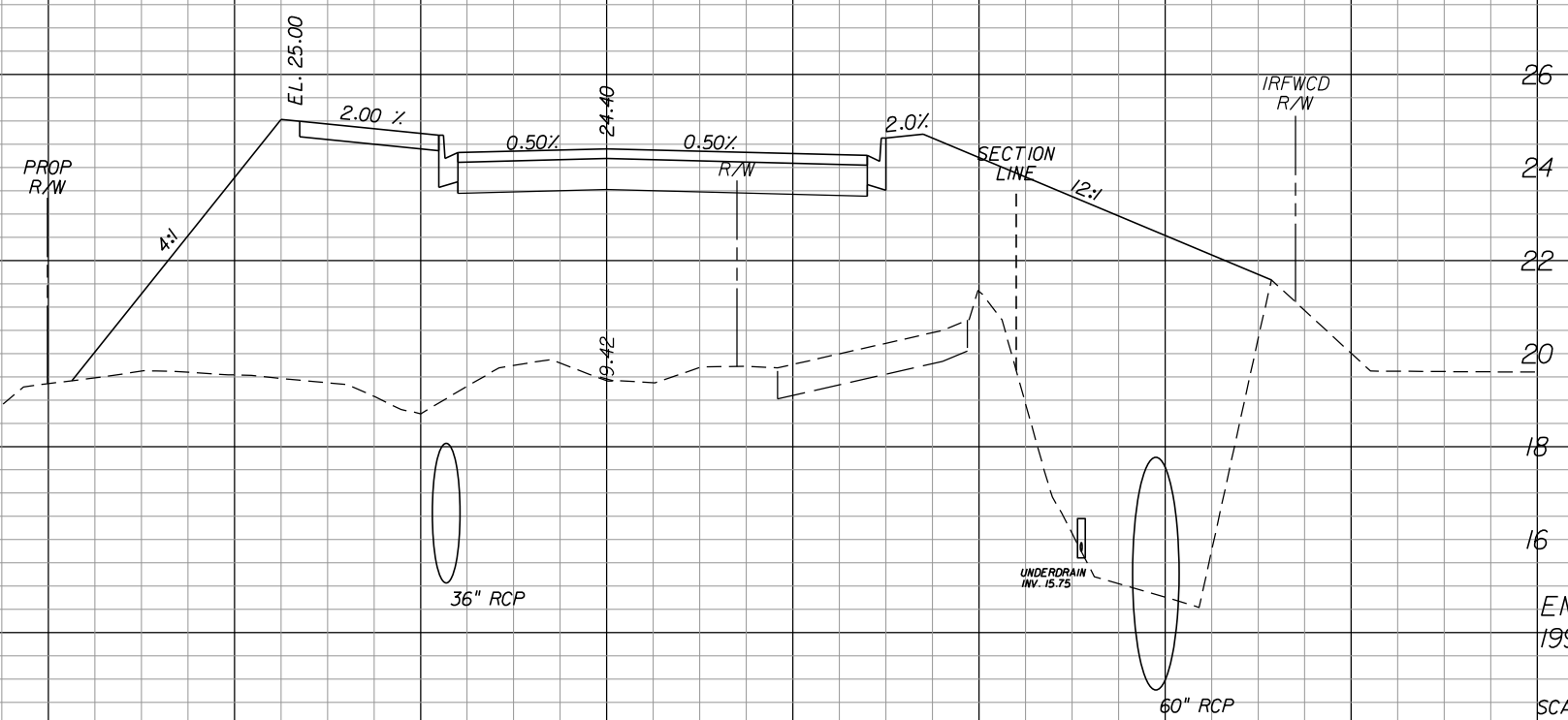
IRCO Proj. No.

THE OFFICIAL RECORD OF THIS SHEET IS THE ELECTRONIC FILE DIGITALLY SIGNED AND SEALED UNDER RULE 61G15-23.004, F.F.C.



200+00.00

60" RCP



END EARTHWORK
199+00.00

SCALE HOR: 1"=20'
VER: 1"=4'

100 80 60 40 20 0 20 40 60 80 100 120

Regular Exc. A	Regular Exc. V	Embankment A	Embankment V	Subsoil Exc. A	Subsoil Exc. V
0.00	0.02	561.08	1794.02	0.00	0.00

REVISIONS					
DATE	BY	DESCRIPTION	DATE	BY	DESCRIPTION

Kimley»Horn
BRIAN A. GOOD, P.E.
 P.E. LICENSE NUMBER 56939
 445 24th STREET, SUITE 200
 VERO BEACH, FL 32960
 (772) 794-4100
 CERTIFICATE OF AUTHORIZATION# 00000696

**INDIAN RIVER COUNTY
 BOARD OF COUNTY COMMISSIONERS**
**66th AVENUE ROADWAY WIDENING -
 PHASE IB 49th STREET TO 69th STREET**

**61st STREET
 CROSS SECTIONS**

SHEET NO.
146

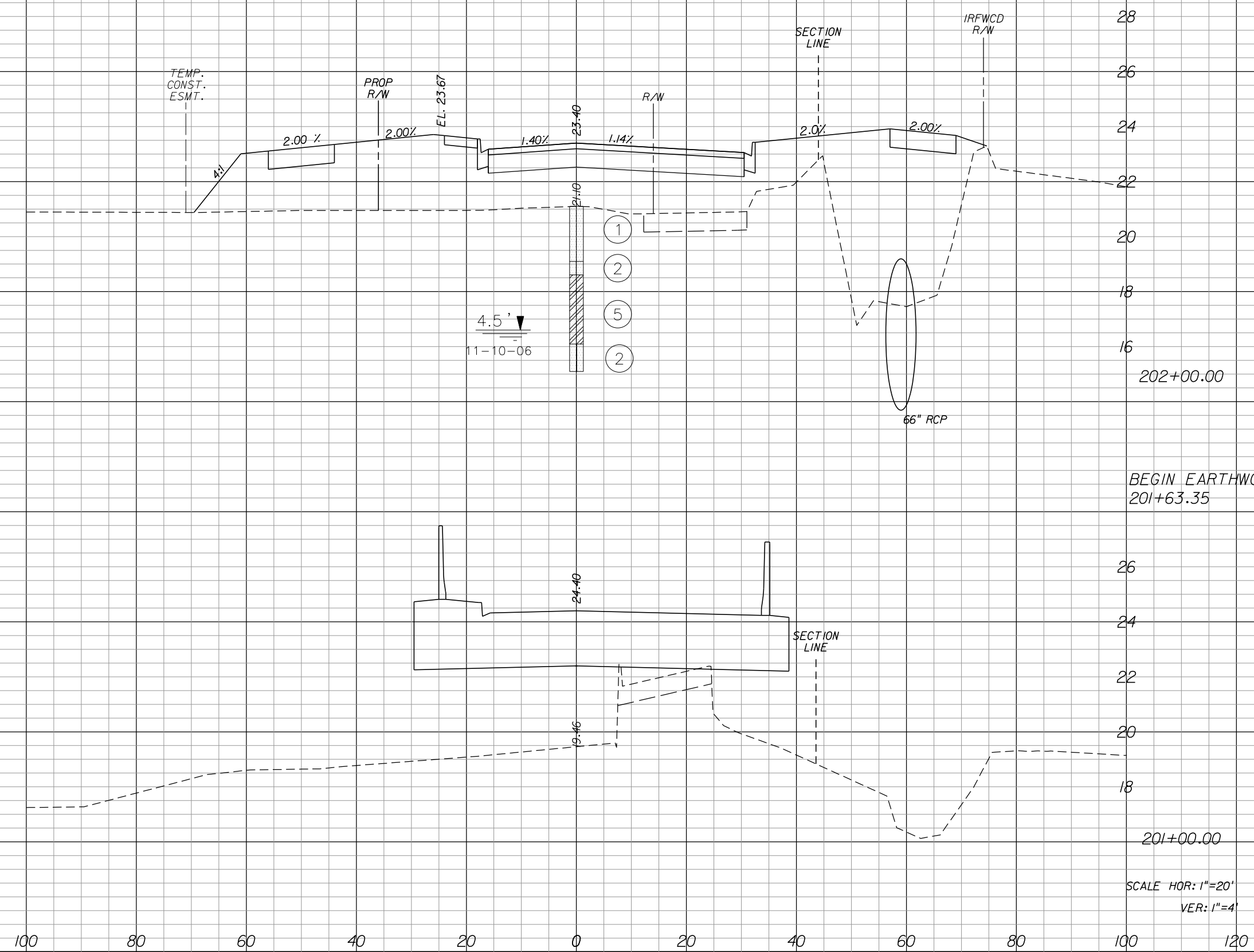
Regular Exc. Embankment Subsoil Exc.

A V A V A V

1505

IRCO Proj. No.

THE OFFICIAL RECORD OF THIS SHEET IS THE ELECTRONIC FILE DIGITALLY SIGNED AND SEALED UNDER RULE 61G15-23.004, F.F.C.



0.00	0.00	326.32	221.47	0.00	0.00
0.00	0.00	326.32	0.00	0.00	0.00

REVISIONS					
DATE	BY	DESCRIPTION	DATE	BY	DESCRIPTION

Kimley»Horn
 BRIAN A. GOOD, P.E.
 P.E. LICENSE NUMBER 56939
 445 24th STREET, SUITE 200
 VERO BEACH, FL 32960
 (772) 794-4100
 CERTIFICATE OF AUTHORIZATION# 00000696

**INDIAN RIVER COUNTY
 BOARD OF COUNTY COMMISSIONERS**
**66th AVENUE ROADWAY WIDENING -
 PHASE IB 49th STREET TO 69th STREET**

**61st STREET
 CROSS SECTIONS**

SHEET NO.
 147

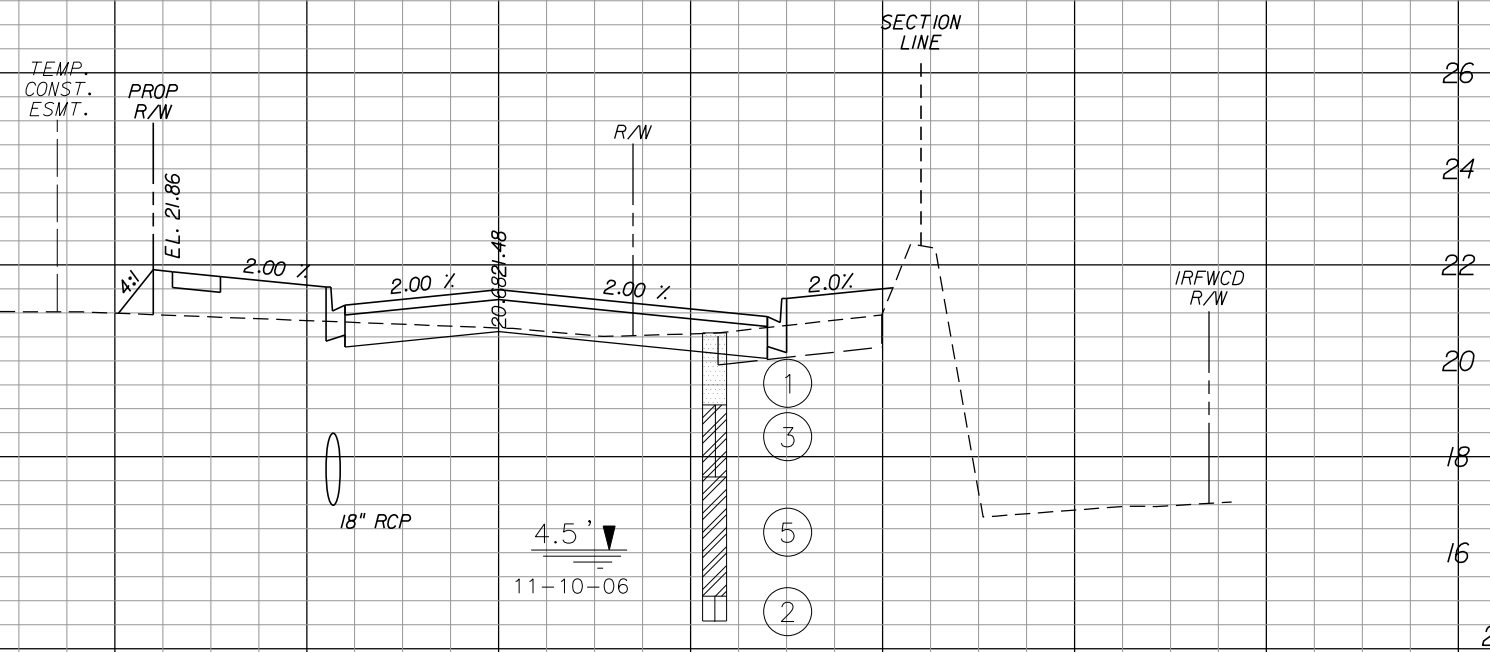
Regular Exc. Embankment Subsoil Exc.

A V A V A V

1505

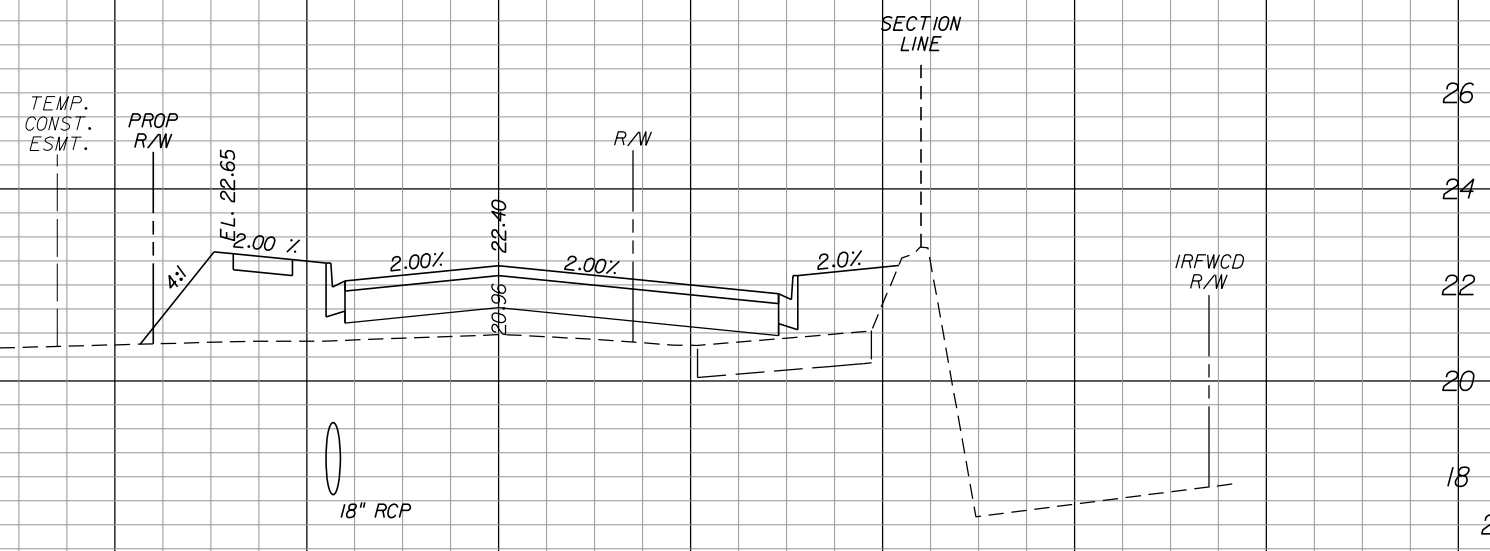
IRCO Proj. No.

THE OFFICIAL RECORD OF THIS SHEET IS THE ELECTRONIC FILE DIGITALLY SIGNED AND SEALED UNDER RULE 61G15-23.004, F.F.C.



26
24
22
20
18
16
204+00.00

13.58 25.15 20.65 145.31 0.00 0.00



26
24
22
20
18
203+00.00

0.00 0.00 57.82 711.37 0.00 0.00

SCALE HOR: 1"=20'
VER: 1"=4'

100 80 60 40 20 0 20 40 60 80 100 120

REVISIONS					
DATE	BY	DESCRIPTION	DATE	BY	DESCRIPTION

Kimley»Horn
BRIAN A. GOOD, P.E.
P.E. LICENSE NUMBER 56939
445 24th STREET, SUITE 200
VERO BEACH, FL 32960
(772) 794-4100
CERTIFICATE OF AUTHORIZATION# 00000696

**INDIAN RIVER COUNTY
BOARD OF COUNTY COMMISSIONERS**
**66th AVENUE ROADWAY WIDENING -
PHASE IB 49th STREET TO 69th STREET**

**61st STREET
CROSS SECTIONS**

SHEET NO.
148

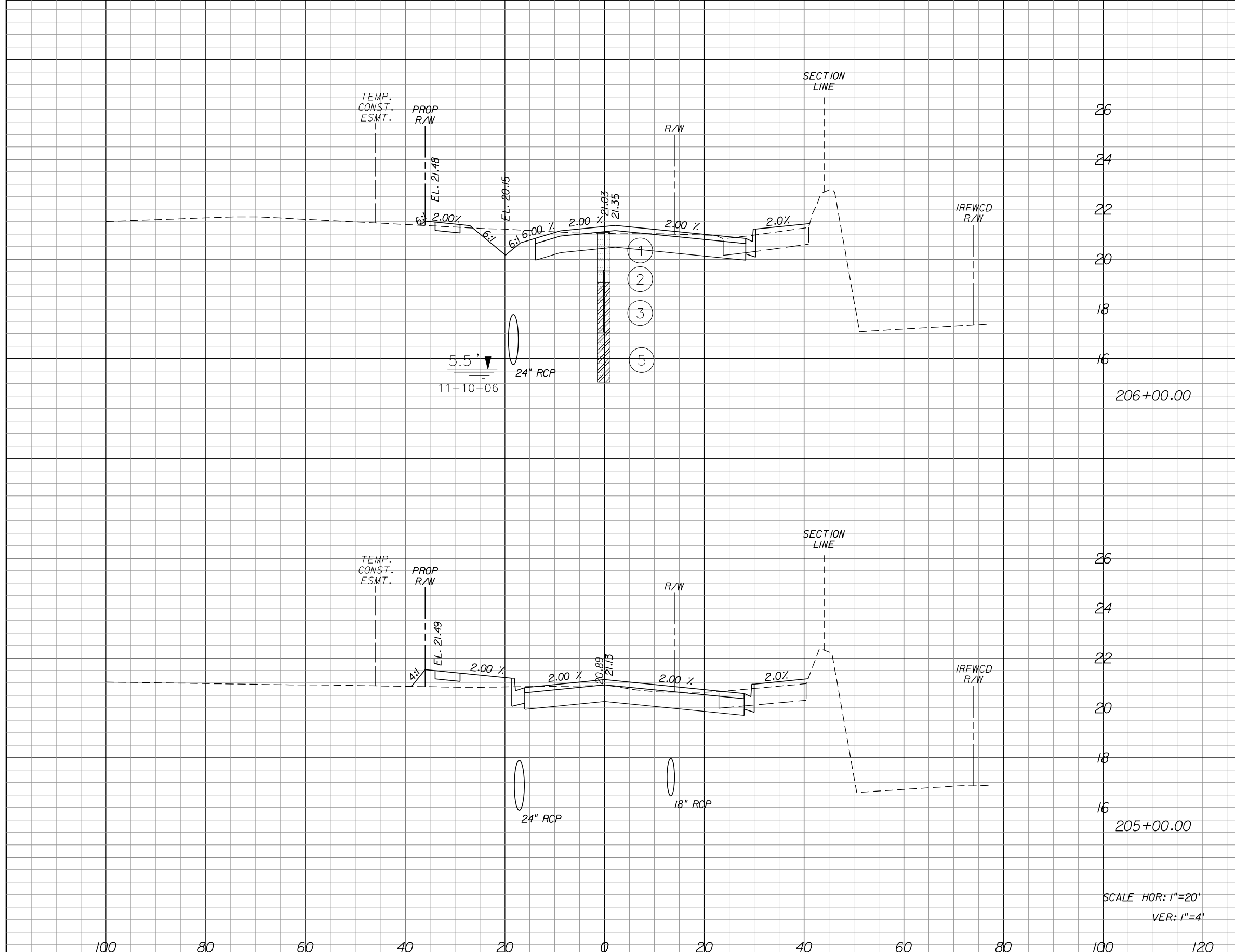
Regular Exc. Embankment Subsoil Exc.

A V A V A V

1505

IRCO Proj. No.

THE OFFICIAL RECORD OF THIS SHEET IS THE ELECTRONIC FILE DIGITALLY SIGNED AND SEALED UNDER RULE 61G15-23.004, F.F.C.



39.77	140.44	2.67	24.07	0.00	0.00
-------	--------	------	-------	------	------

36.07	91.94	10.33	57.37	0.00	0.00
-------	-------	-------	-------	------	------

SCALE HOR: 1"=20'
VER: 1"=4'

REVISIONS					
DATE	BY	DESCRIPTION	DATE	BY	DESCRIPTION

Kimley»Horn
BRIAN A. GOOD, P.E.
 P.E. LICENSE NUMBER 56939
 445 24th STREET, SUITE 200
 VERO BEACH, FL 32960
 (772) 794-4100
 CERTIFICATE OF AUTHORIZATION# 00000696

**INDIAN RIVER COUNTY
 BOARD OF COUNTY COMMISSIONERS**
**66th AVENUE ROADWAY WIDENING -
 PHASE IB 49th STREET TO 69th STREET**

**61st STREET
 CROSS SECTIONS**

SHEET NO.
149

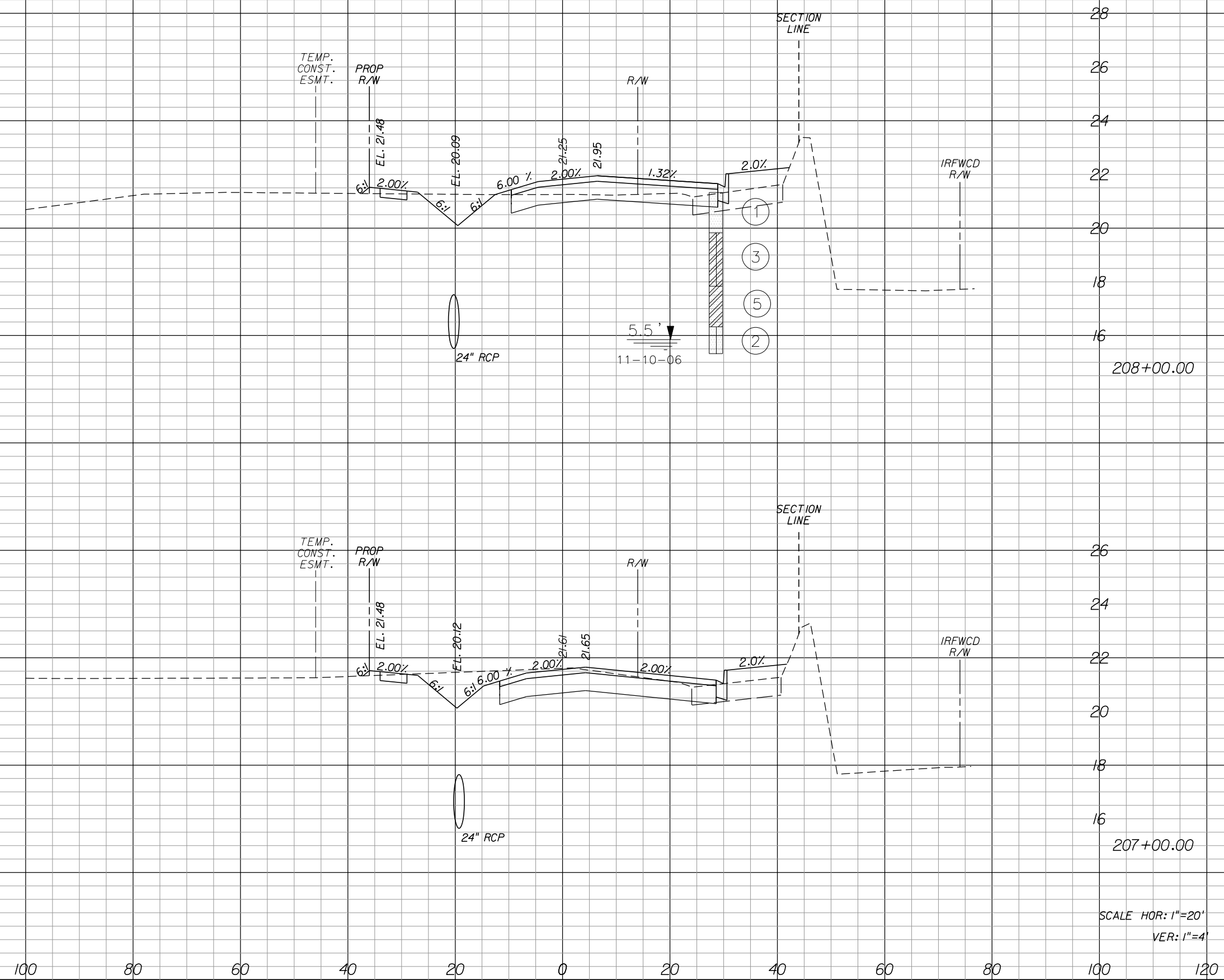
Regular Exc. Embankment Subsoil Exc.

A V A V A V

1505

IRCO Proj. No.

THE OFFICIAL RECORD OF THIS SHEET IS THE ELECTRONIC FILE DIGITALLY SIGNED AND SEALED UNDER RULE 61G15-23.004, F.F.C.



20.34	118.74	8.06	25.15	0.00	0.00
-------	--------	------	-------	------	------

43.78	154.72	5.52	15.17	0.00	0.00
-------	--------	------	-------	------	------

SCALE HOR: 1"=20'
VER: 1"=4'

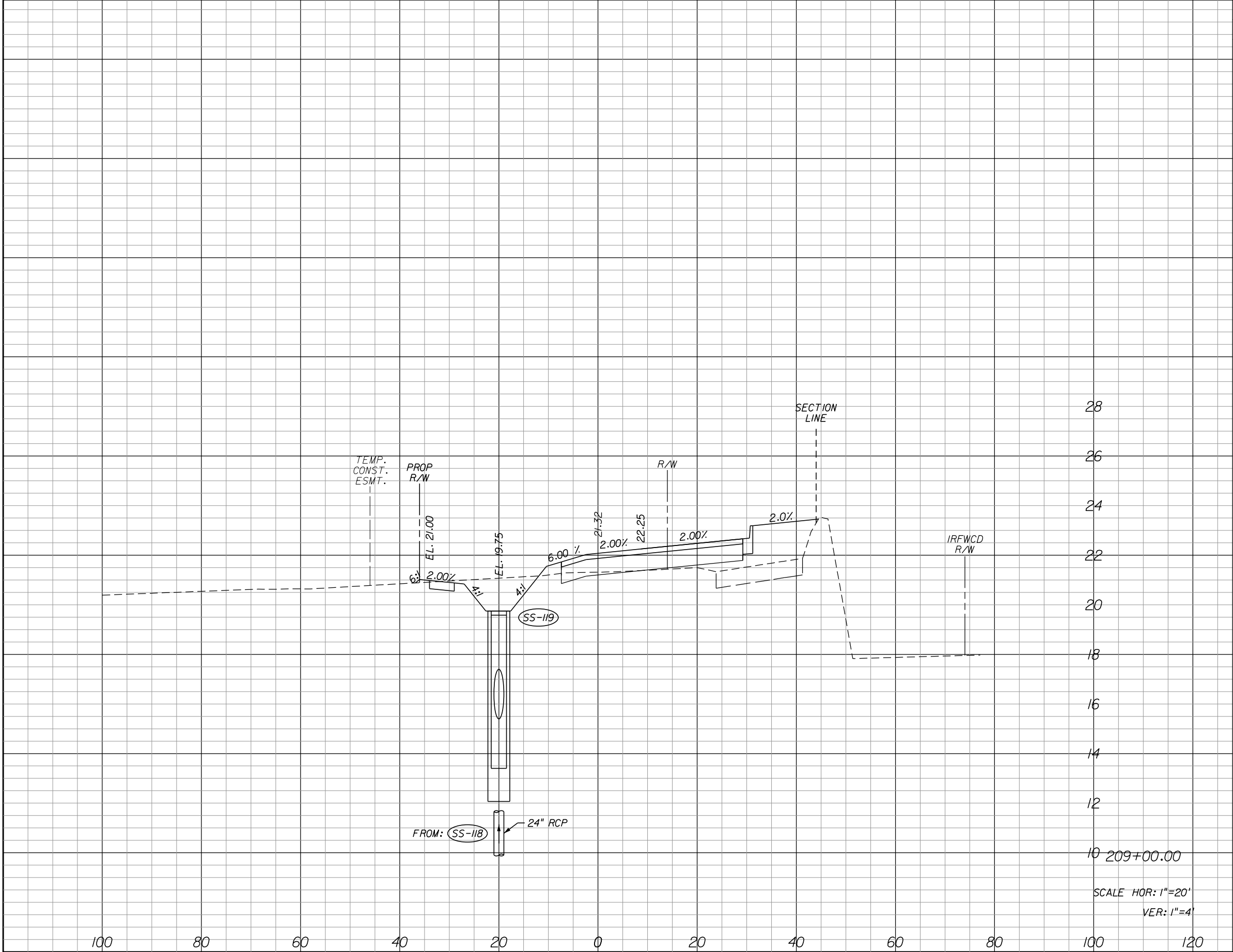
REVISIONS					
DATE	BY	DESCRIPTION	DATE	BY	DESCRIPTION

Kimley»Horn
 BRIAN A. GOOD, P.E.
 P.E. LICENSE NUMBER 56939
 445 24th STREET, SUITE 200
 VERO BEACH, FL 32960
 (772) 794-4100
 CERTIFICATE OF AUTHORIZATION# 00000696

**INDIAN RIVER COUNTY
 BOARD OF COUNTY COMMISSIONERS**
**66th AVENUE ROADWAY WIDENING -
 PHASE IB 49th STREET TO 69th STREET**

**61st STREET
 CROSS SECTIONS**

SHEET NO.
150



Regular Exc.		Embankment		Subsoil Exc.	
A	V	A	V	A	V
15.65	66.65	24.56	60.41	0.00	0.00

REVISIONS					
DATE	BY	DESCRIPTION	DATE	BY	DESCRIPTION

Kimley»Horn
 BRIAN A. GOOD, P.E.
 P.E. LICENSE NUMBER 56939
 445 24th STREET, SUITE 200
 VERO BEACH, FL 32960
 (772) 794-4100
 CERTIFICATE OF AUTHORIZATION# 00000696

**INDIAN RIVER COUNTY
 BOARD OF COUNTY COMMISSIONERS**
**66th AVENUE ROADWAY WIDENING -
 PHASE IB 49th STREET TO 69th STREET**

**61st STREET
 CROSS SECTIONS**

SHEET NO. 151

THE OFFICIAL RECORD OF THIS SHEET IS THE ELECTRONIC FILE DIGITALLY SIGNED AND SEALED UNDER RULE 61G15-23.004, F.F.C. 1505 I.R.CO. Proj. No.

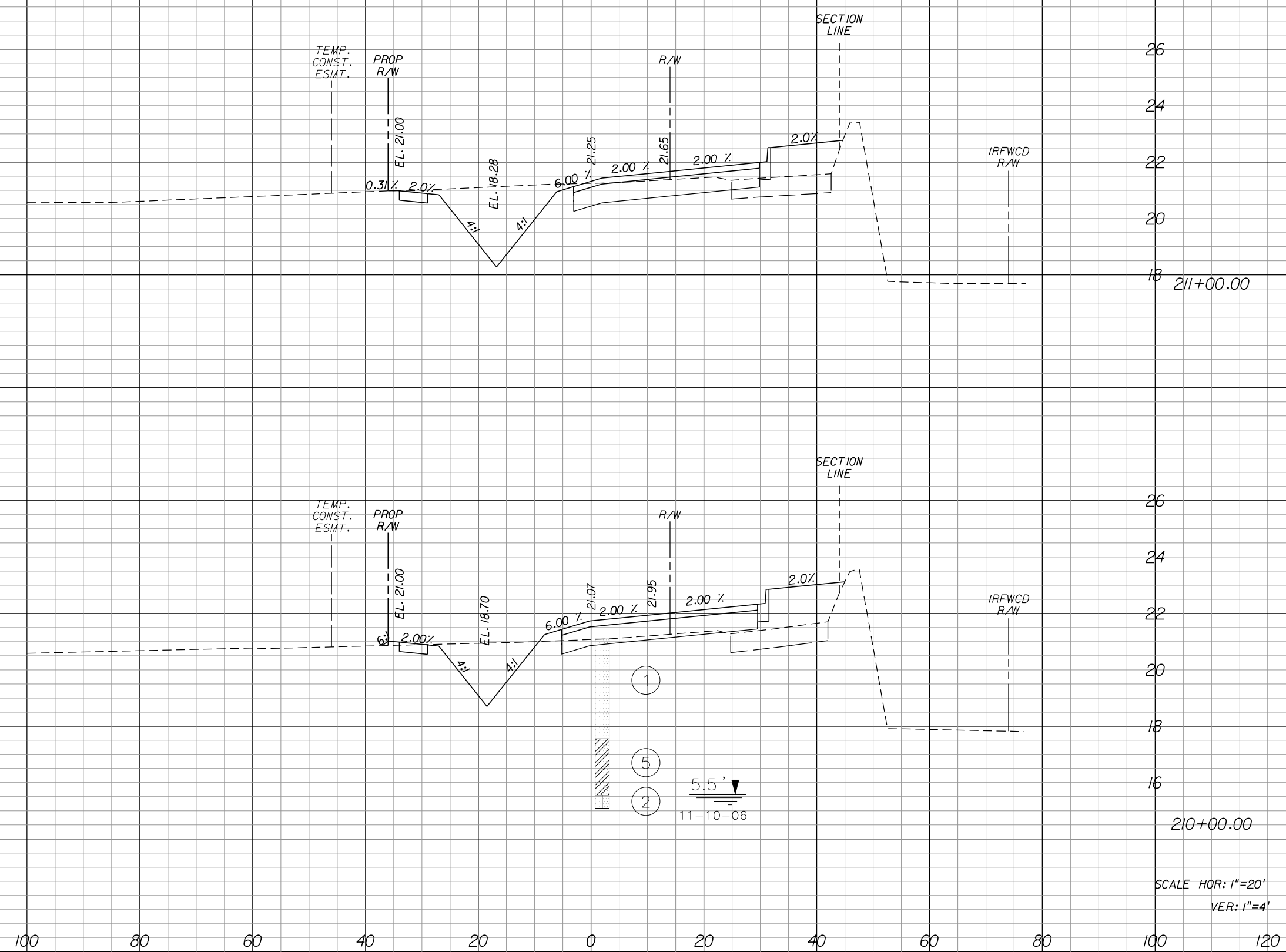
Regular Exc. Embankment Subsoil Exc.

A V A V A V

1505

IRCO Proj. No.

THE OFFICIAL RECORD OF THIS SHEET IS THE ELECTRONIC FILE DIGITALLY SIGNED AND SEALED UNDER RULE 61G15-23.004, F.F.C.



41.82 108.06 13.02 60.04 0.00 0.00

16.53 59.59 19.40 81.41 0.00 0.00

SCALE HOR: 1"=20'
VER: 1"=4'

REVISIONS					
DATE	BY	DESCRIPTION	DATE	BY	DESCRIPTION

Kimley»Horn
 BRIAN A. GOOD, P.E.
 P.E. LICENSE NUMBER 56939
 445 24th STREET, SUITE 200
 VERO BEACH, FL 32960
 (772) 794-4100
 CERTIFICATE OF AUTHORIZATION# 00000696

**INDIAN RIVER COUNTY
 BOARD OF COUNTY COMMISSIONERS**
**66th AVENUE ROADWAY WIDENING -
 PHASE IB 49th STREET TO 69th STREET**

**61st STREET
 CROSS SECTIONS**

SHEET NO.
152

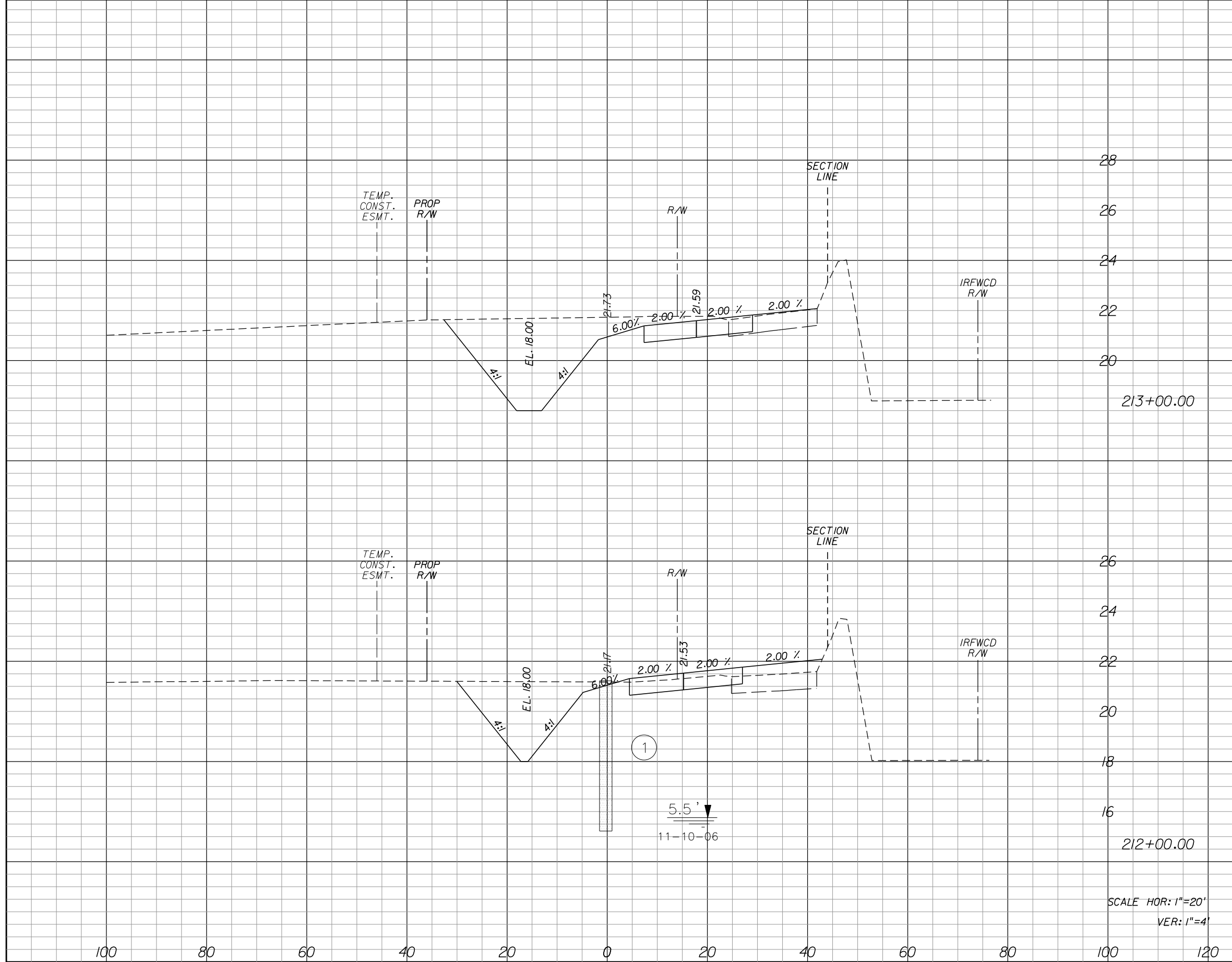
Regular Exc. Embankment Subsoil Exc.

A V A V A V

1505

IRCO Proj. No.

THE OFFICIAL RECORD OF THIS SHEET IS THE ELECTRONIC FILE DIGITALLY SIGNED AND SEALED UNDER RULE 61G15-23.004, F.F.C.



75.79	220.19	0.39	13.04	0.00	0.00
-------	--------	------	-------	------	------

43.11	157.28	6.65	36.43	0.00	0.00
-------	--------	------	-------	------	------

SCALE HOR: 1"=20'
VER: 1"=4'

REVISIONS					
DATE	BY	DESCRIPTION	DATE	BY	DESCRIPTION

Kimley»Horn
BRIAN A. GOOD, P.E.
 P.E. LICENSE NUMBER 56939
 445 24th STREET, SUITE 200
 VERO BEACH, FL 32960
 (772) 794-4100
 CERTIFICATE OF AUTHORIZATION# 00000696

**INDIAN RIVER COUNTY
 BOARD OF COUNTY COMMISSIONERS**
**66th AVENUE ROADWAY WIDENING -
 PHASE IB 49th STREET TO 69th STREET**

**61st STREET
 CROSS SECTIONS**

SHEET NO.
153

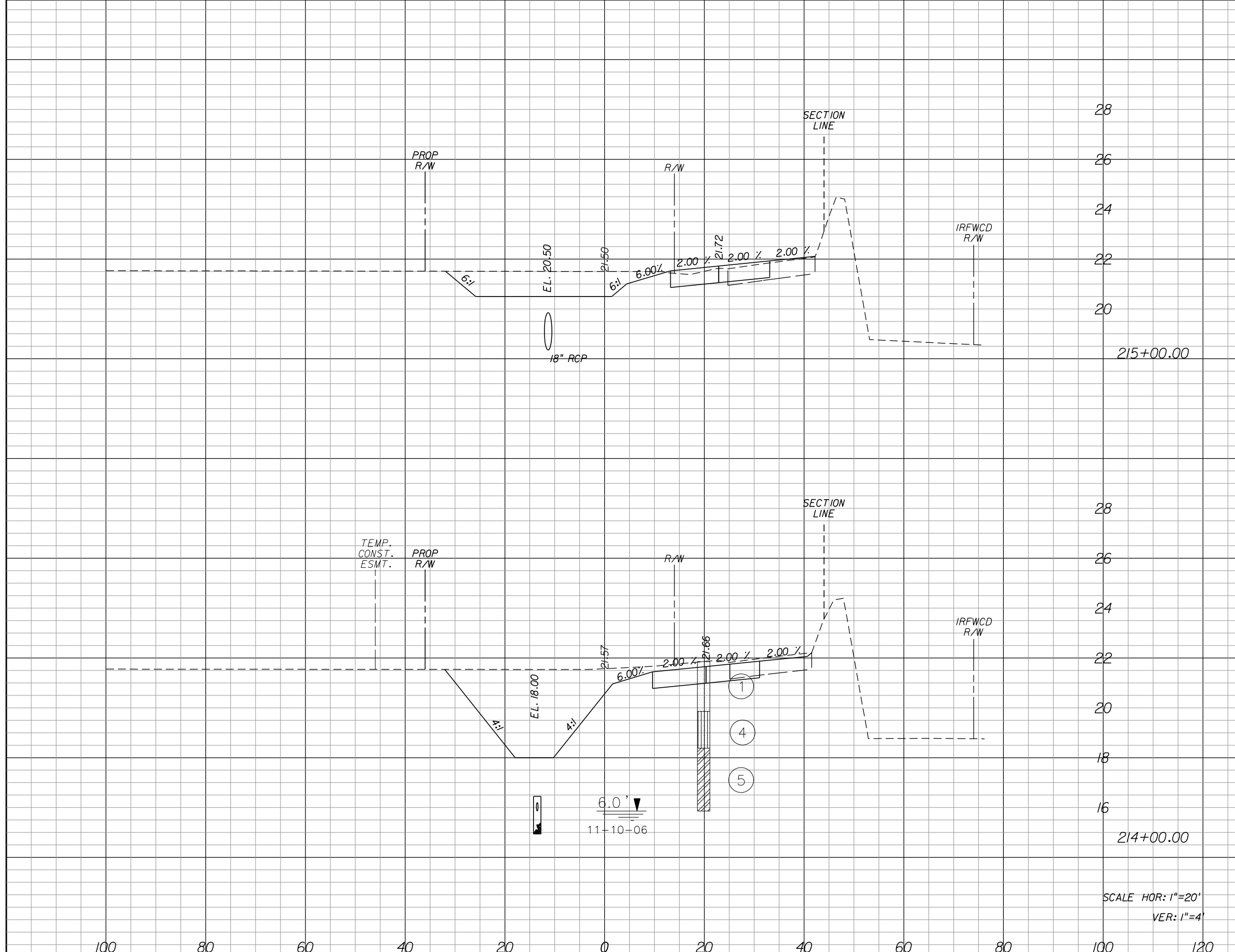
Regular Exc. Embankment Subsoil Exc.

A V A V A V

1505

IRCO Proj. No.

THE OFFICIAL RECORD OF THIS SHEET IS THE ELECTRONIC FILE DIGITALLY SIGNED AND SEALED UNDER RULE 61G15-23.004, F.F.C.



215+00.00 76.53 288.17 0.48 0.89 0.00 0.00

214+00.00 79.08 286.80 0.00 0.72 0.00 0.00

SCALE HOR: 1"=20'
VER: 1"=4'

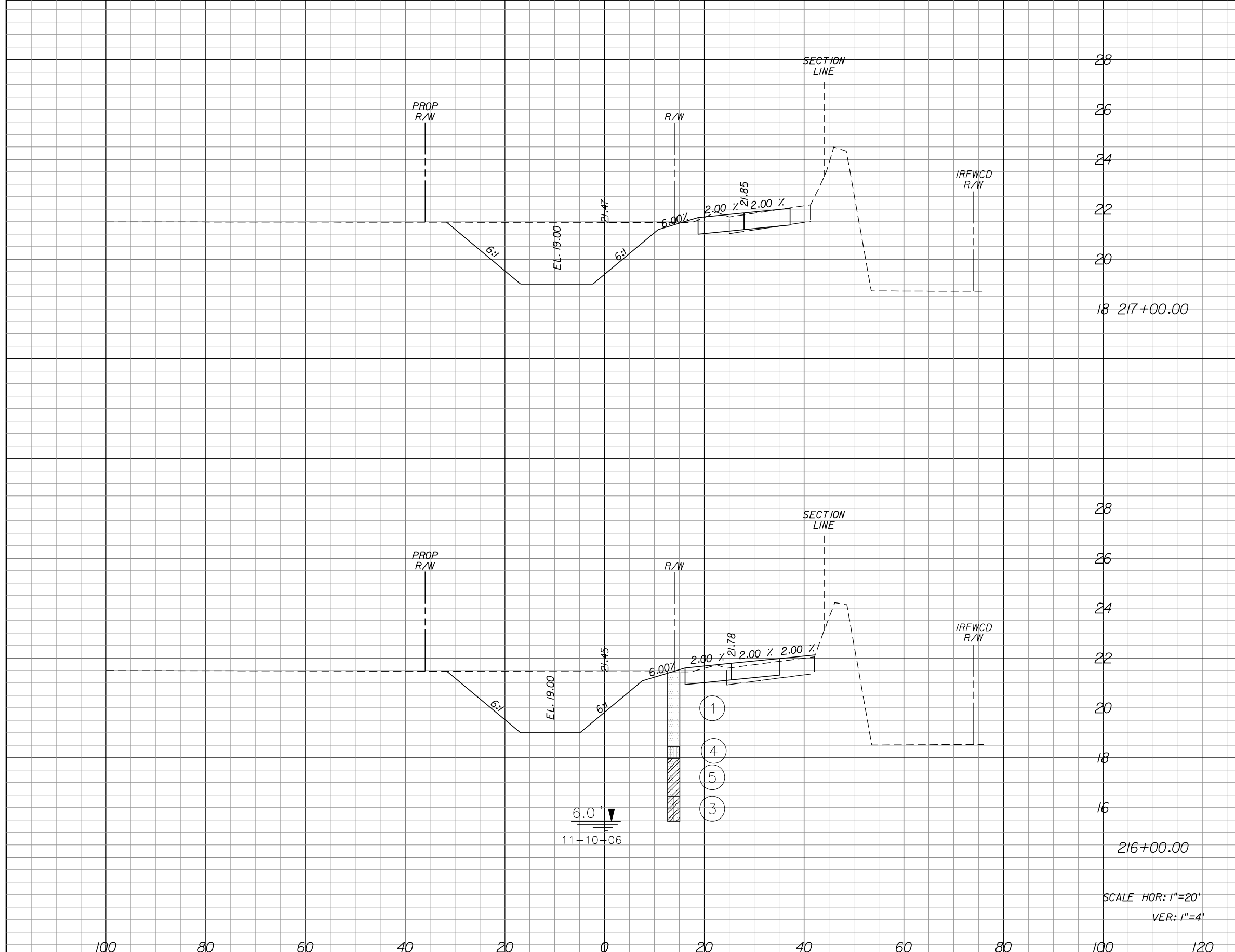
REVISIONS					
DATE	BY	DESCRIPTION	DATE	BY	DESCRIPTION

Kimley»Horn
 BRIAN A. GOOD, P.E.
 P.E. LICENSE NUMBER 56939
 445 24th STREET, SUITE 200
 VERO BEACH, FL 32960
 (772) 794-4100
 CERTIFICATE OF AUTHORIZATION# 00000696

**INDIAN RIVER COUNTY
 BOARD OF COUNTY COMMISSIONERS**
**66th AVENUE ROADWAY WIDENING -
 PHASE IB 49th STREET TO 69th STREET**

**61st STREET
 CROSS SECTIONS**

SHEET NO.
154



Regular Exc.		Embankment		Subsoil Exc.	
A	V	A	V	A	V
93.20	324.96	0.27	2.07	0.00	0.00
82.28	294.09	0.85	2.46	0.00	0.00

REVISIONS					
DATE	BY	DESCRIPTION	DATE	BY	DESCRIPTION

Kimley»Horn
 BRIAN A. GOOD, P.E.
 P.E. LICENSE NUMBER 56939
 445 24th STREET, SUITE 200
 VERO BEACH, FL 32960
 (772) 794-4100
 CERTIFICATE OF AUTHORIZATION# 00000696

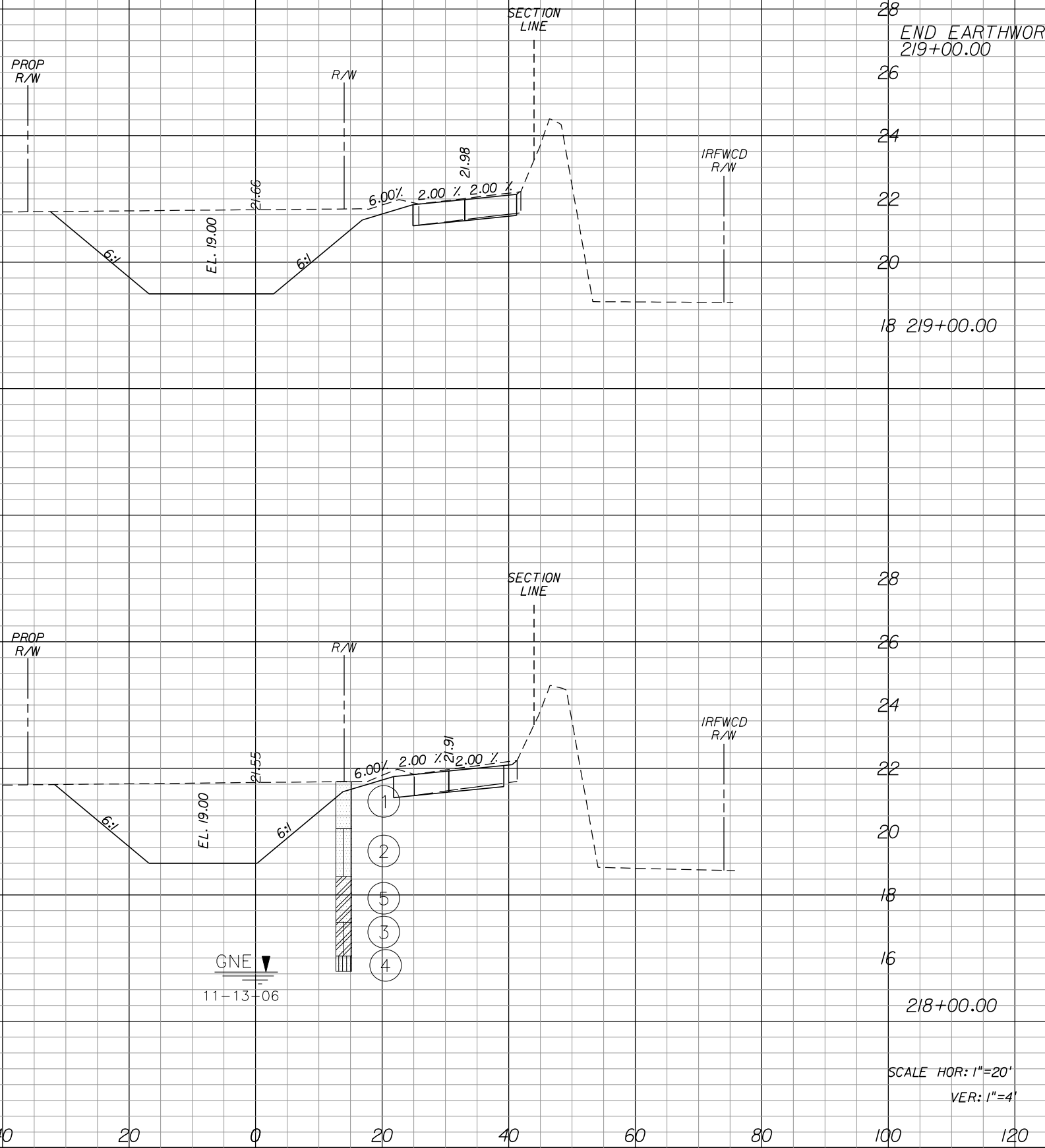
**INDIAN RIVER COUNTY
 BOARD OF COUNTY COMMISSIONERS**
**66th AVENUE ROADWAY WIDENING -
 PHASE IB 49th STREET TO 69th STREET**

**61st STREET
 CROSS SECTIONS**

SHEET NO.
 155

THE OFFICIAL RECORD OF THIS SHEET IS THE ELECTRONIC FILE DIGITALLY SIGNED AND SEALED UNDER RULE 61G15-23.004, F.F.C. 1505 I.R.CO. Proj. No.

61st STREET EARTHWORK SUMMARY
 REGULAR EXCAVATION = 4,007 CY
 EMBANKMENT = 7,657 CY
 SUBSOIL EXCAVATION = 984 CY
 CHANNEL EXCAVATION = 465 CY



Regular Exc.		Embankment		Subsoil Exc.	
A	V	A	V	A	V
121.00	229.18	0.00	0.00	0.00	0.00
121.00	422.31	0.00	0.00	0.00	0.00
107.05	370.83	0.00	0.50	0.00	0.00

REVISIONS					
DATE	BY	DESCRIPTION	DATE	BY	DESCRIPTION

Kimley»Horn
 BRIAN A. GOOD, P.E.
 P.E. LICENSE NUMBER 56939
 445 24th STREET, SUITE 200
 VERO BEACH, FL 32960
 (772) 794-4100
 CERTIFICATE OF AUTHORIZATION# 00000696

**INDIAN RIVER COUNTY
 BOARD OF COUNTY COMMISSIONERS**
 66th AVENUE ROADWAY WIDENING -
 PHASE IB 49th STREET TO 69th STREET

**61st STREET
 CROSS SECTIONS**

SHEET NO.
 156

THE OFFICIAL RECORD OF THIS SHEET IS THE ELECTRONIC FILE DIGITALLY SIGNED AND SEALED UNDER RULE 61G15-23.004, F.F.C. 1505 I.R.CO. Proj. No.

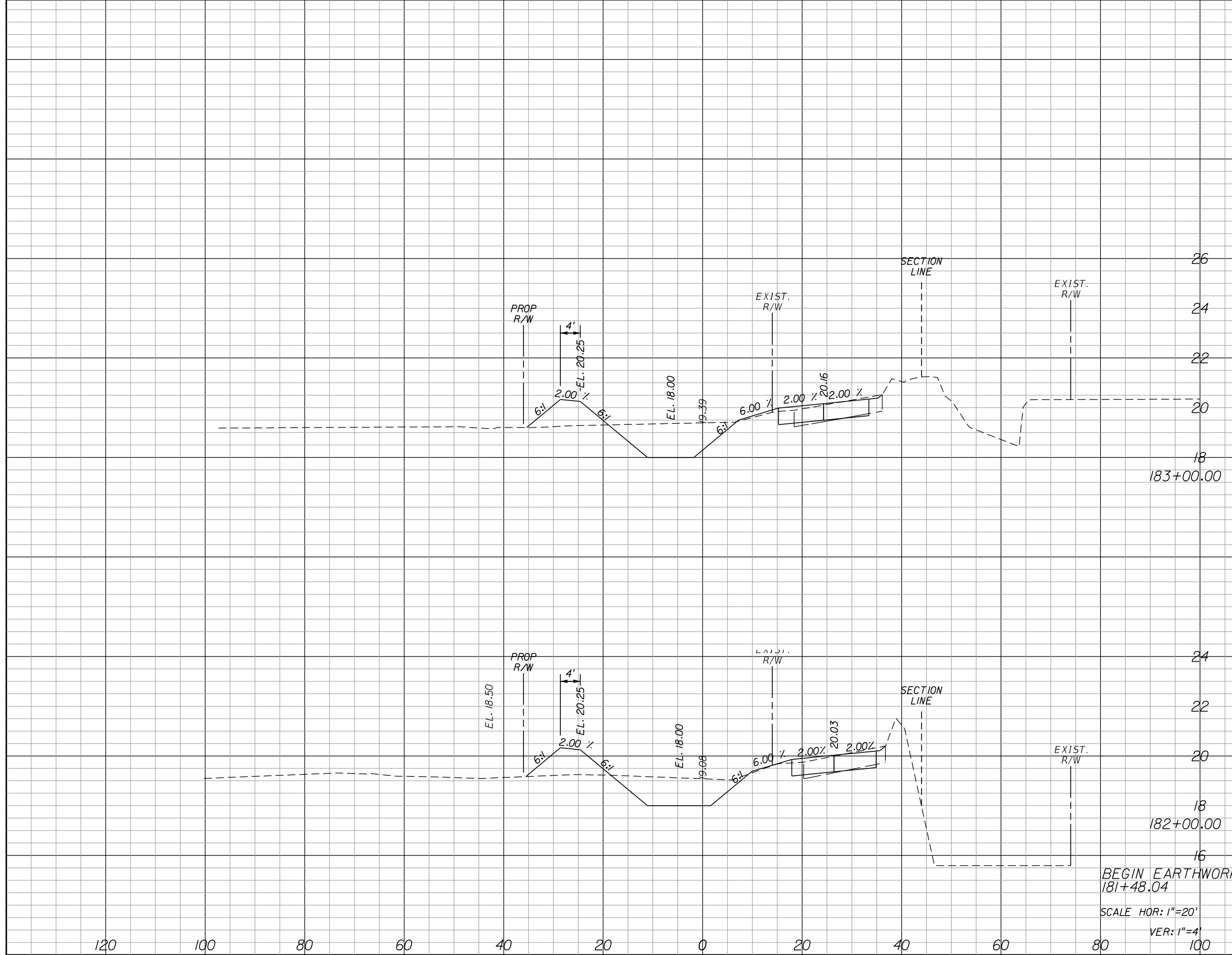
Regular Exc. Embankment Subsoil Exc.

A V A V A V

1505

IRCO Proj. No.

THE OFFICIAL RECORD OF THIS SHEET IS THE ELECTRONIC FILE DIGITALLY SIGNED AND SEALED UNDER RULE 61G15-23.004, F.A.C.



183+00.00	35.24	126.31	11.11	41.87	0.00	0.00
182+00.00	32.97	63.45	11.50	22.13	0.00	0.00
BEGIN EARTHWORK 181+48.04	32.97	0.00	11.50	0.00	0.00	0.00

REVISIONS					
DATE	BY	DESCRIPTION	DATE	BY	DESCRIPTION

Kimley»Horn
 BRIAN A. GOOD, P.E.
 P.E. LICENSE NUMBER 56939
 445 24th STREET, SUITE 200
 VERO BEACH, FL 32960
 (772) 794-4100
 CERTIFICATE OF AUTHORIZATION# 00000696

INDIAN RIVER COUNTY
BOARD OF COUNTY COMMISSIONERS
66th AVENUE ROADWAY WIDENING -
PHASE IB 49th STREET TO 69th STREET

65th STREET
CROSS SECTIONS

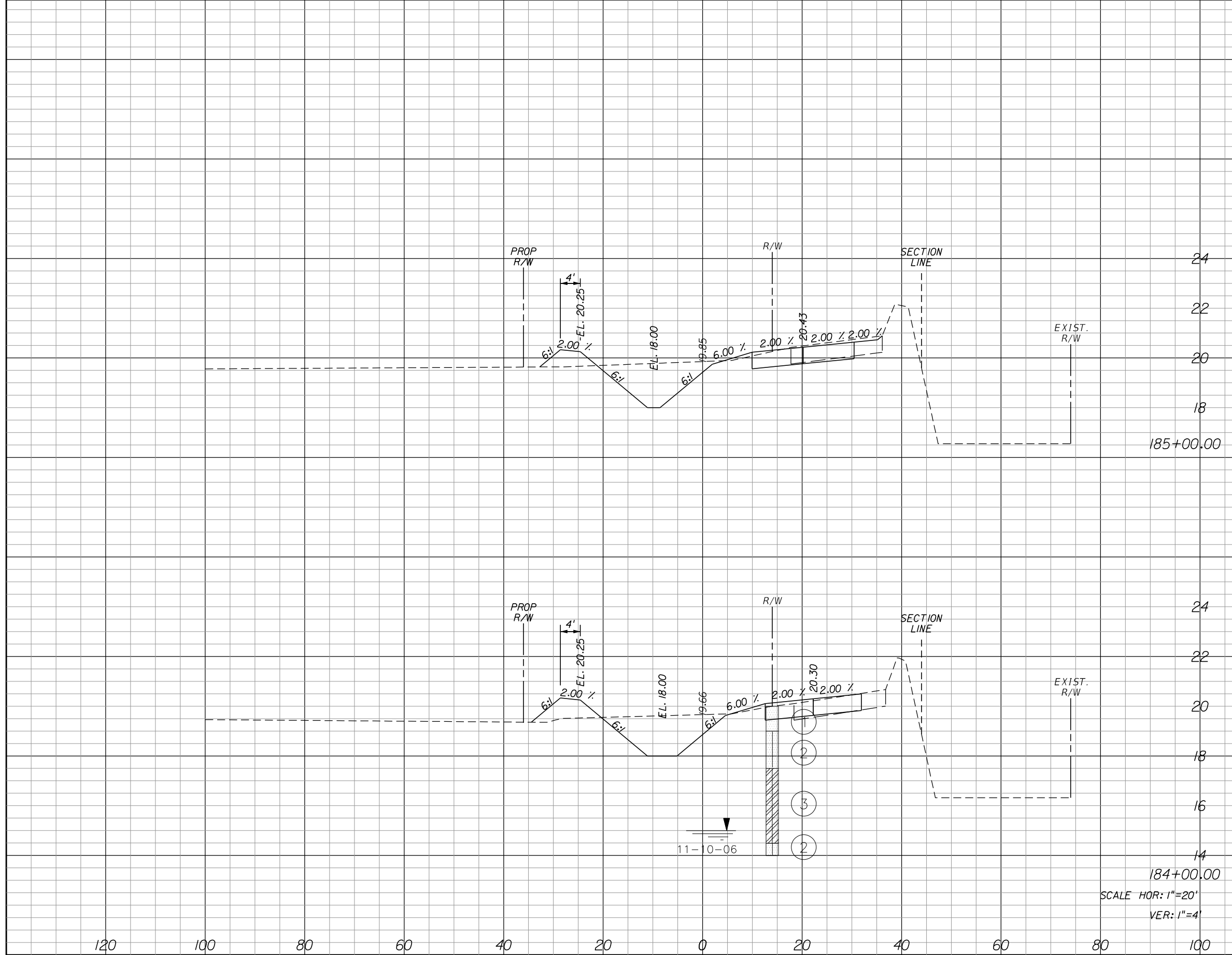
SHEET NO.
157

Regular Exc.		Embankment		Subsoil Exc.	
A	V	A	V	A	V

1505

IRCO Proj. No.

THE OFFICIAL RECORD OF THIS SHEET IS THE ELECTRONIC FILE DIGITALLY SIGNED AND SEALED UNDER RULE 61G15-23.004, F.A.C.



24					
22					
20					
18					
185+00.00	38.48	139.31	5.50	24.70	0.00
24					
22					
20					
18					
16					
14	36.75	133.31	7.84	35.09	0.00
184+00.00					

SCALE HOR: 1"=20'
VER: 1"=4'

REVISIONS					
DATE	BY	DESCRIPTION	DATE	BY	DESCRIPTION

Kimley»Horn
 BRIAN A. GOOD, P.E.
 P.E. LICENSE NUMBER 56939
 445 24th STREET, SUITE 200
 VERO BEACH, FL 32960
 (772) 794-4100
 CERTIFICATE OF AUTHORIZATION# 00000696

**INDIAN RIVER COUNTY
 BOARD OF COUNTY COMMISSIONERS**
**66th AVENUE ROADWAY WIDENING -
 PHASE IB 49th STREET TO 69th STREET**

**65th STREET
 CROSS SECTIONS**

SHEET NO.
158

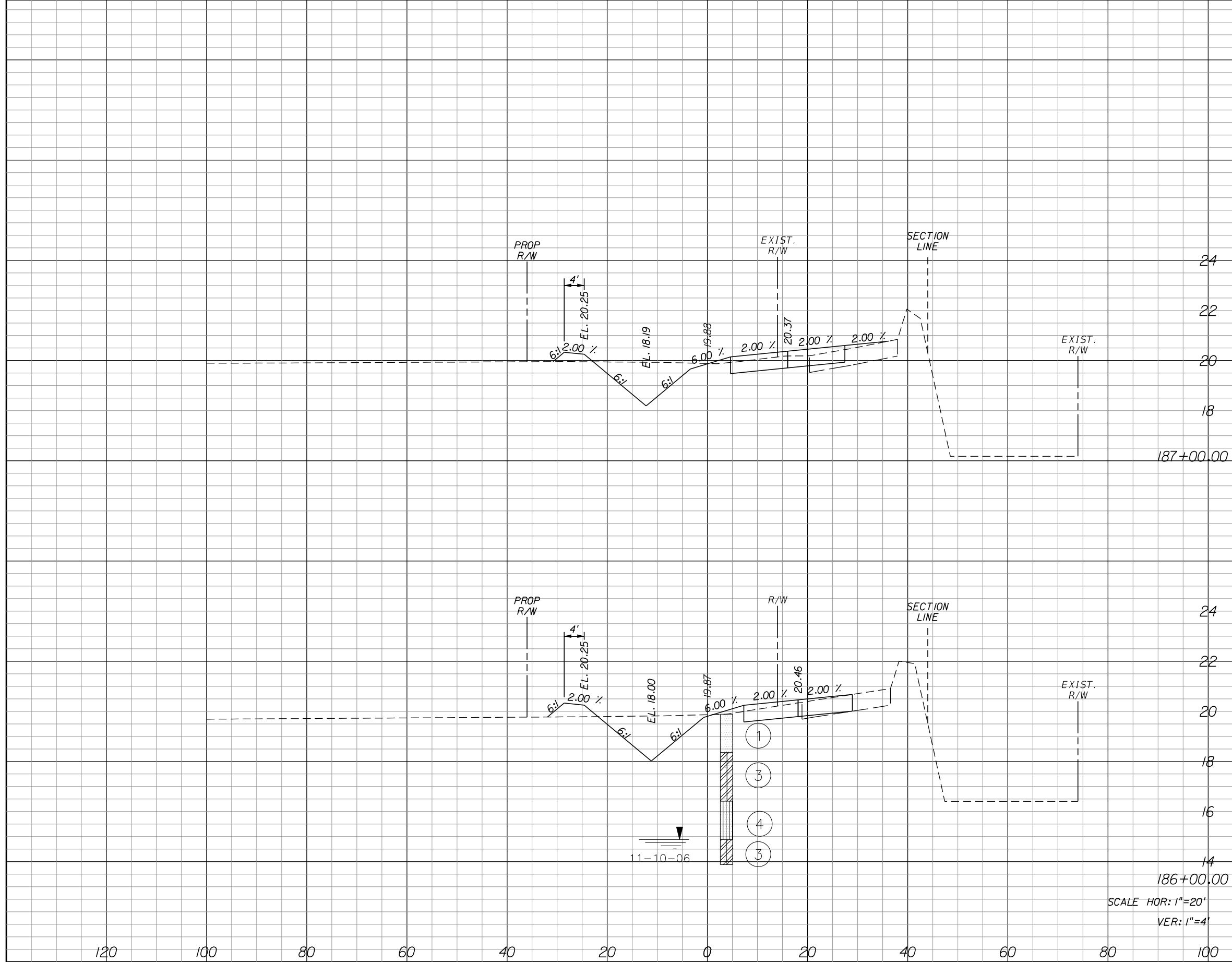
Regular Exc. Embankment Subsoil Exc.

A V A V A V

1505

IRCO Proj. No.

THE OFFICIAL RECORD OF THIS SHEET IS THE ELECTRONIC FILE DIGITALLY SIGNED AND SEALED UNDER RULE 61G15-23.004, F.A.C.



28.73 111.35 3.30 14.39 0.00 0.00

31.40 129.41 4.47 18.46 0.00 0.00

SCALE HOR: 1"=20'
VER: 1"=4'

REVISIONS					
DATE	BY	DESCRIPTION	DATE	BY	DESCRIPTION

Kimley»Horn
 BRIAN A. GOOD, P.E.
 P.E. LICENSE NUMBER 56939
 445 24th STREET, SUITE 200
 VERO BEACH, FL 32960
 (772) 794-4100
 CERTIFICATE OF AUTHORIZATION# 00000696

**INDIAN RIVER COUNTY
 BOARD OF COUNTY COMMISSIONERS**
**66th AVENUE ROADWAY WIDENING -
 PHASE IB 49th STREET TO 69th STREET**

**65th STREET
 CROSS SECTIONS**

SHEET NO.
159

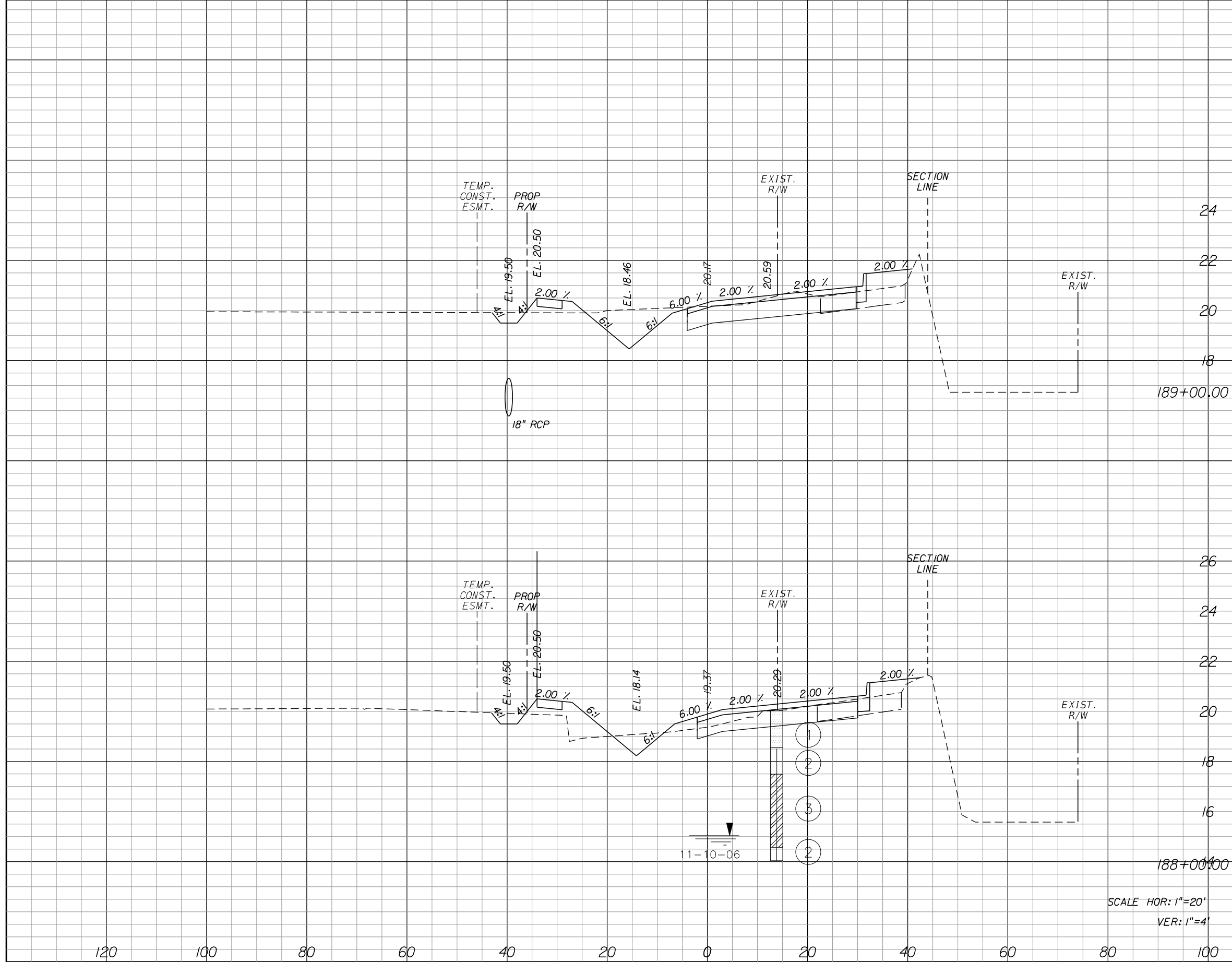
Regular Exc. Embankment Subsoil Exc.

A V A V A V

1505

IRCO Proj. No.

THE OFFICIAL RECORD OF THIS SHEET IS THE ELECTRONIC FILE DIGITALLY SIGNED AND SEALED UNDER RULE 61G15-23.004, F.A.C.



24					
22					
20					
18					
189+00.00	37.48	110.63	10.17	51.48	0.00
26					
24					
22					
20					
18					
16					
188+00.00	22.26	94.43	17.63	42.76	0.00

SCALE HOR: 1"=20'
VER: 1"=4'

REVISIONS					
DATE	BY	DESCRIPTION	DATE	BY	DESCRIPTION

Kimley»Horn
 BRIAN A. GOOD, P.E.
 P.E. LICENSE NUMBER 56939
 445 24th STREET, SUITE 200
 VERO BEACH, FL 32960
 (772) 794-4100
 CERTIFICATE OF AUTHORIZATION# 00000696

**INDIAN RIVER COUNTY
 BOARD OF COUNTY COMMISSIONERS**
**66th AVENUE ROADWAY WIDENING -
 PHASE IB 49th STREET TO 69th STREET**

**65th STREET
 CROSS SECTIONS**

SHEET NO.
160

Regular Exc. Embankment Subsoil Exc.

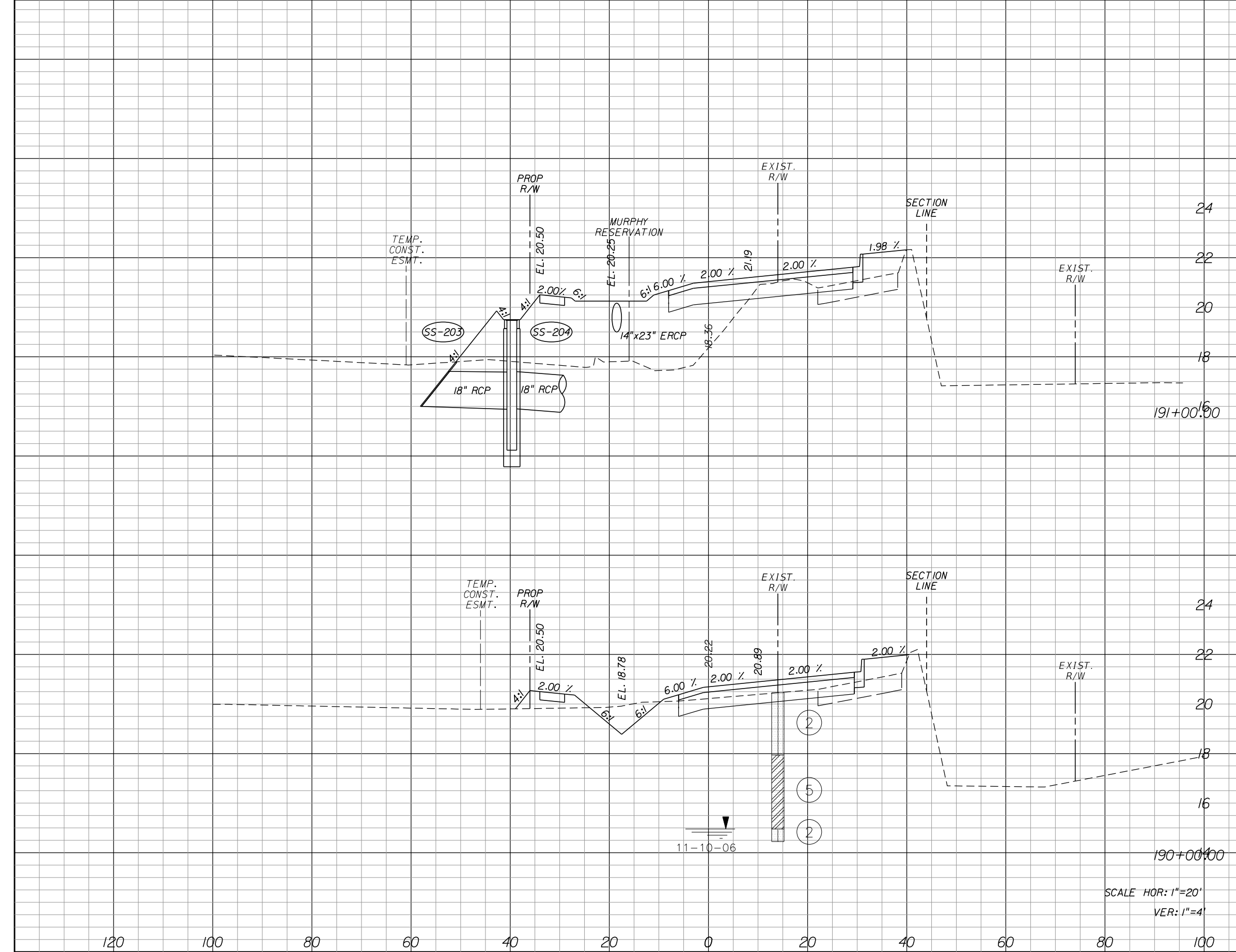
A V A V A V

8.60	53.28	120.14	246.65	0.00	0.00
20.17	106.76	13.05	43.00	0.00	0.00

1505

IRCO Proj. No.

THE OFFICIAL RECORD OF THIS SHEET IS THE ELECTRONIC FILE DIGITALLY SIGNED AND SEALED UNDER RULE 61G15-23.004, F.A.C.



REVISIONS					
DATE	BY	DESCRIPTION	DATE	BY	DESCRIPTION

Kimley»Horn
 BRIAN A. GOOD, P.E.
 P.E. LICENSE NUMBER 56939
 445 24th STREET, SUITE 200
 VERO BEACH, FL 32960
 (772) 794-4100
 CERTIFICATE OF AUTHORIZATION# 00000696

**INDIAN RIVER COUNTY
 BOARD OF COUNTY COMMISSIONERS**
**66th AVENUE ROADWAY WIDENING -
 PHASE IB 49th STREET TO 69th STREET**

**65th STREET
 CROSS SECTIONS**

SHEET NO.
 161

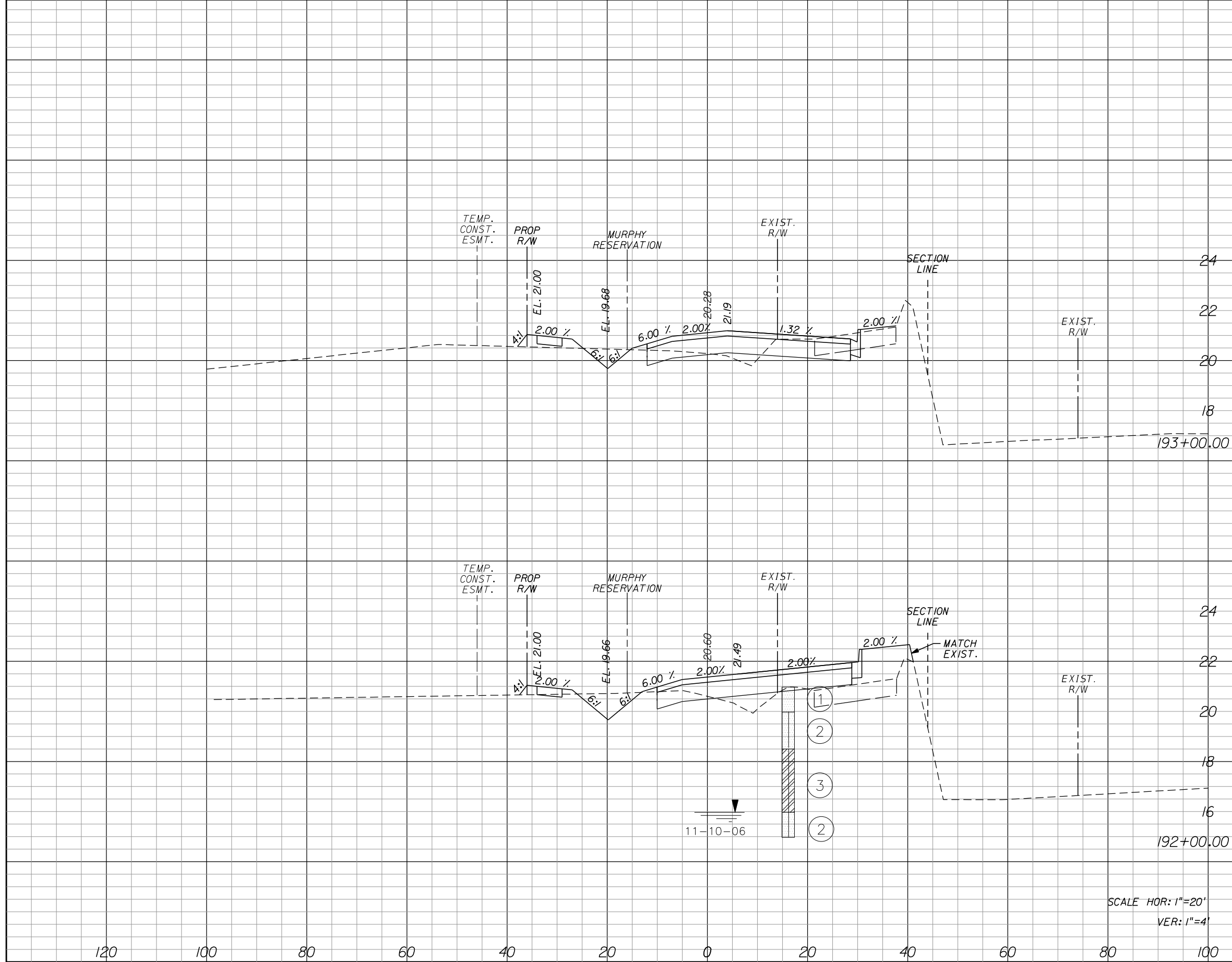
Regular Exc. Embankment Subsoil Exc.

A V A V A V

1505

IRCO Proj. No.

THE OFFICIAL RECORD OF THIS SHEET IS THE ELECTRONIC FILE DIGITALLY SIGNED AND SEALED UNDER RULE 61G15-23.004, F.A.C.



19.97	54.22	6.40	44.39	0.00	0.00
-------	-------	------	-------	------	------

9.31	33.17	17.57	255.02	0.00	0.00
------	-------	-------	--------	------	------

SCALE HOR: 1"=20'
VER: 1"=4'

REVISIONS					
DATE	BY	DESCRIPTION	DATE	BY	DESCRIPTION

Kimley»Horn
 BRIAN A. GOOD, P.E.
 P.E. LICENSE NUMBER 56939
 445 24th STREET, SUITE 200
 VERO BEACH, FL 32960
 (772) 794-4100
 CERTIFICATE OF AUTHORIZATION# 00000696

**INDIAN RIVER COUNTY
 BOARD OF COUNTY COMMISSIONERS**
**66th AVENUE ROADWAY WIDENING -
 PHASE IB 49th STREET TO 69th STREET**

**65th STREET
 CROSS SECTIONS**

SHEET NO.
162

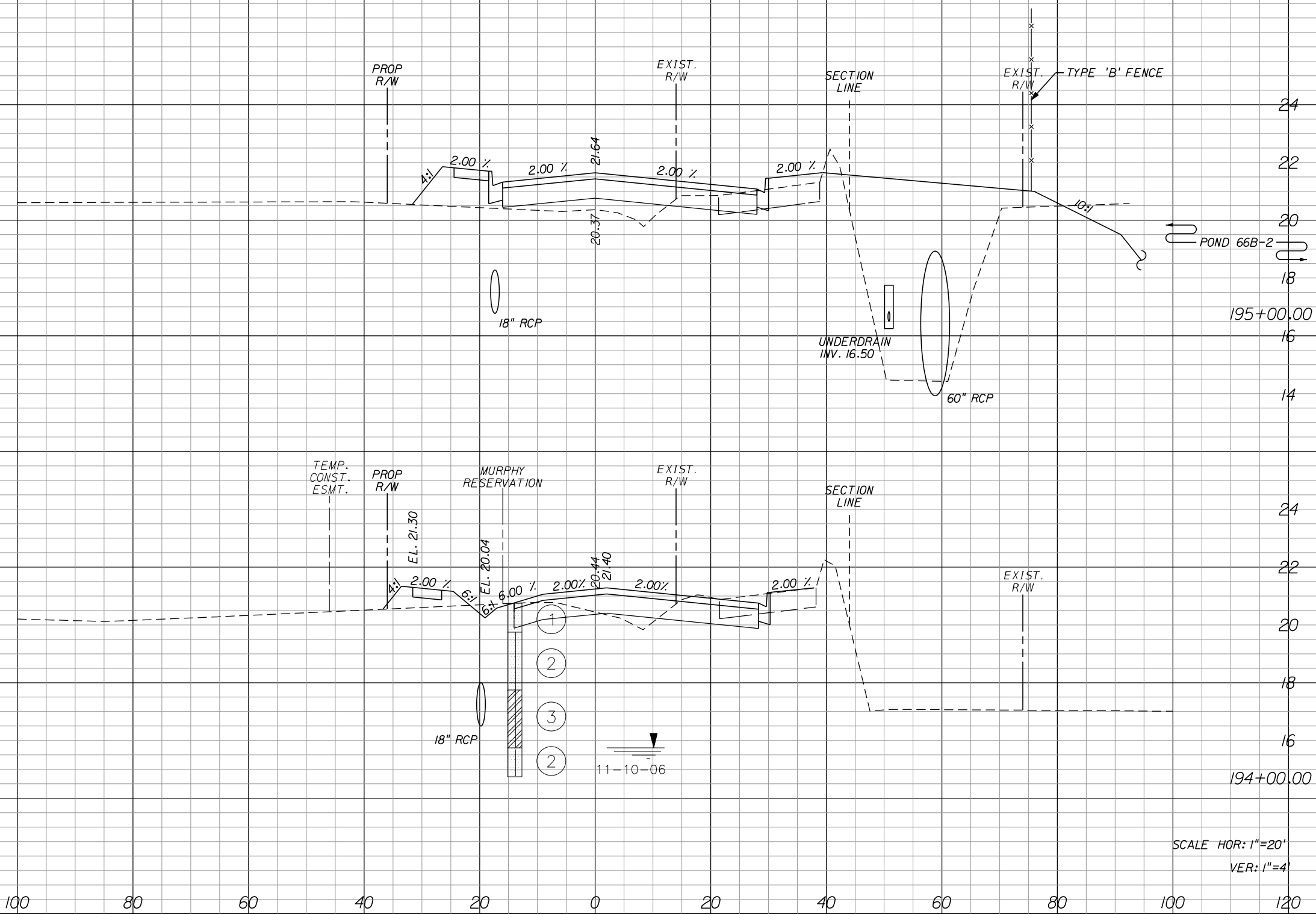
Regular Exc. Embankment Subsoil Exc.

A V A V A V

1505

IRCO Proj. No.

THE OFFICIAL RECORD OF THIS SHEET IS THE ELECTRONIC FILE DIGITALLY SIGNED AND SEALED UNDER RULE 61G15-23.004, F.A.C.



24					
22					
20					
18					
16	16.49	106.89	114.20	216.00	0.00
14					0.00
24					
22					
20					
18					
16	41.23	113.33	2.44	16.37	0.00
14					0.00

SCALE HOR: 1"=20'
VER: 1"=4'

REVISIONS					
DATE	BY	DESCRIPTION	DATE	BY	DESCRIPTION

Kimley»Horn
 BRIAN A. GOOD, P.E.
 P.E. LICENSE NUMBER 56939
 445 24th STREET, SUITE 200
 VERO BEACH, FL 32960
 (772) 794-4100
 CERTIFICATE OF AUTHORIZATION# 00000696

**INDIAN RIVER COUNTY
 BOARD OF COUNTY COMMISSIONERS**
**66th AVENUE ROADWAY WIDENING -
 PHASE IB 49th STREET TO 69th STREET**

**65th STREET
 CROSS SECTIONS**

SHEET NO.
163

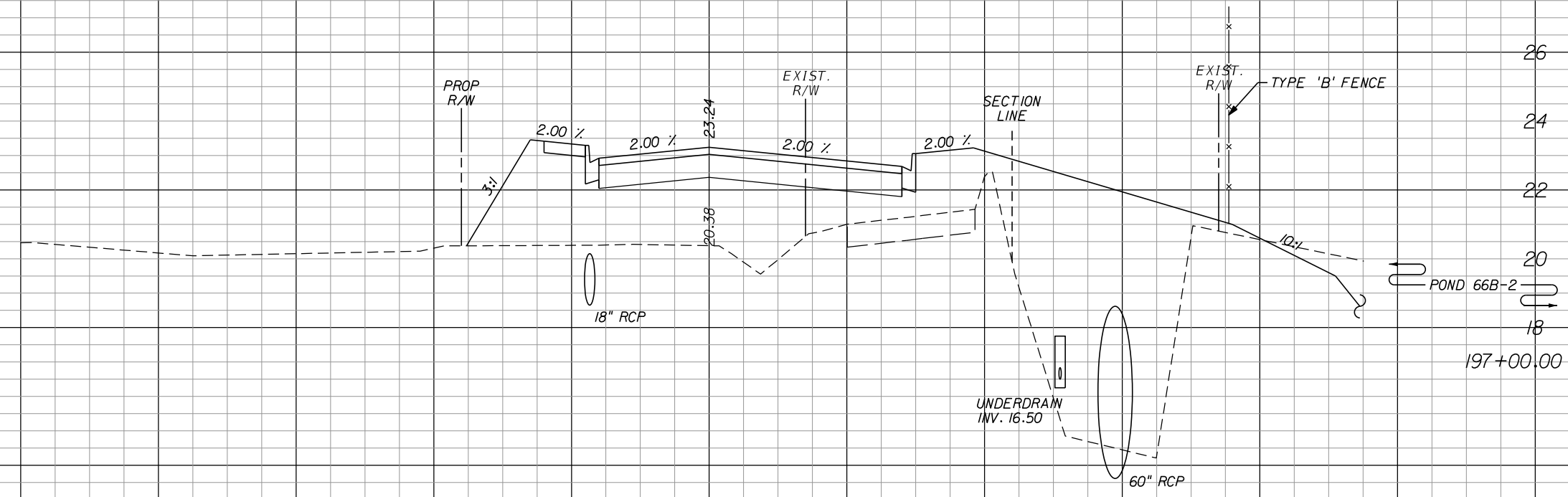
Regular Exc. Embankment Subsoil Exc.

A V A V A V

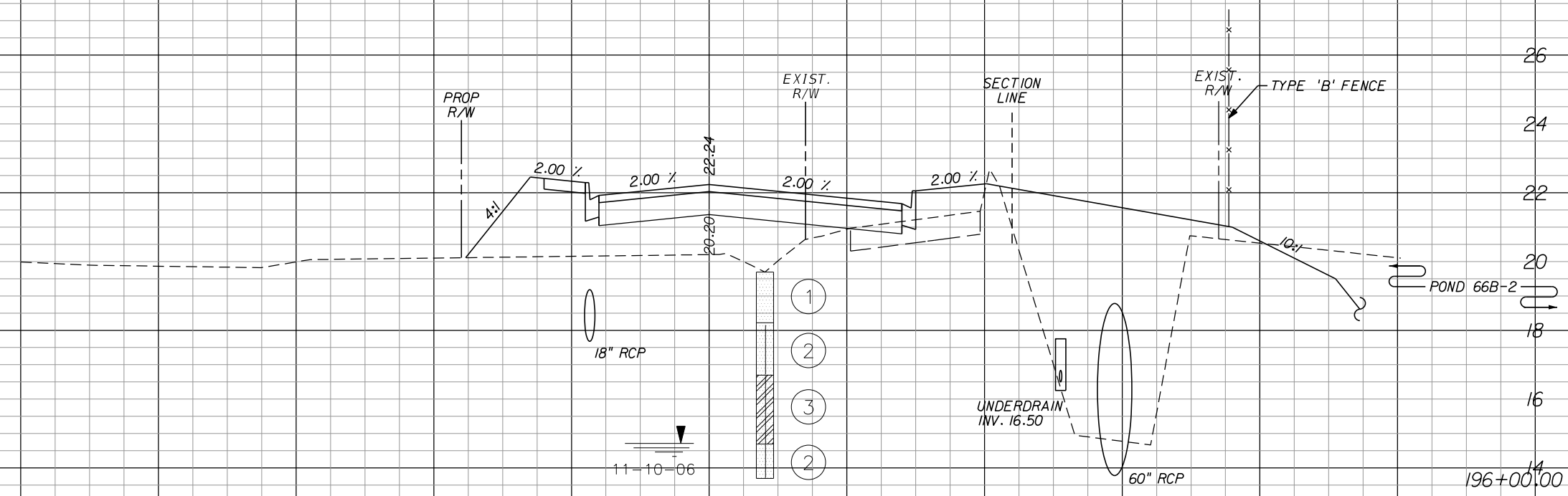
1505

IRCO Proj. No.

THE OFFICIAL RECORD OF THIS SHEET IS THE ELECTRONIC FILE DIGITALLY SIGNED AND SEALED UNDER RULE 61G15-23.004, F.A.C.



0.00	3.28	275.30	838.37	0.00	0.00
------	------	--------	--------	------	------



1.77	33.81	177.42	540.04	0.00	0.00
------	-------	--------	--------	------	------

SCALE HOR: 1"=20'
VER: 1"=4'

100 80 60 40 20 0 20 40 60 80 100 120

REVISIONS					
DATE	BY	DESCRIPTION	DATE	BY	DESCRIPTION

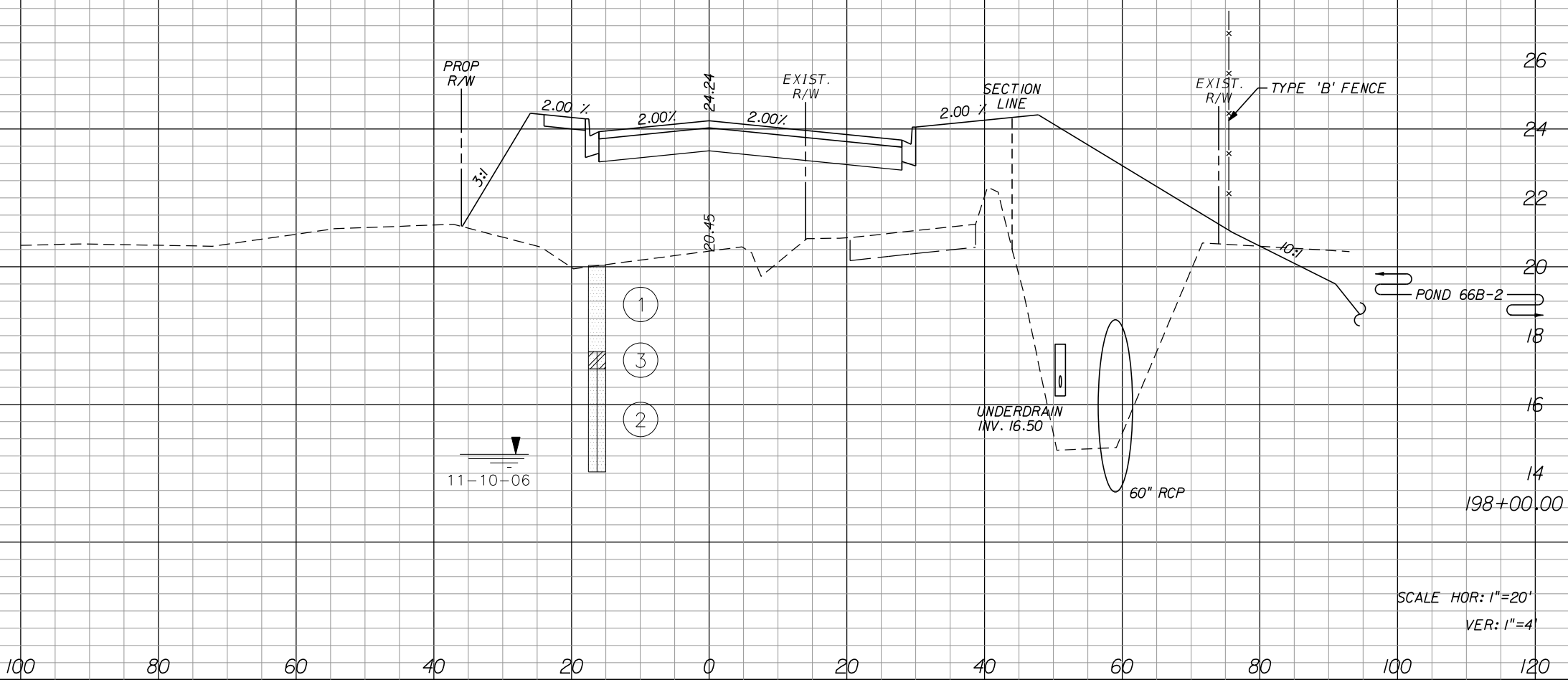
Kimley»Horn
 BRIAN A. GOOD, P.E.
 P.E. LICENSE NUMBER 56939
 445 24th STREET, SUITE 200
 VERO BEACH, FL 32960
 (772) 794-4100
 CERTIFICATE OF AUTHORIZATION# 00000696

**INDIAN RIVER COUNTY
 BOARD OF COUNTY COMMISSIONERS**
**66th AVENUE ROADWAY WIDENING -
 PHASE IB 49th STREET TO 69th STREET**

**65th STREET
 CROSS SECTIONS**

SHEET NO.
164

Regular Exc.		Embankment		Subsoil Exc.	
A	V	A	V	A	V
0.00	0.00	379.46	1212.52	0.00	0.00



11-10-06

- 1
- 2
- 3

SCALE HOR: 1"=20'
VER: 1"=4'

REVISIONS					
DATE	BY	DESCRIPTION	DATE	BY	DESCRIPTION

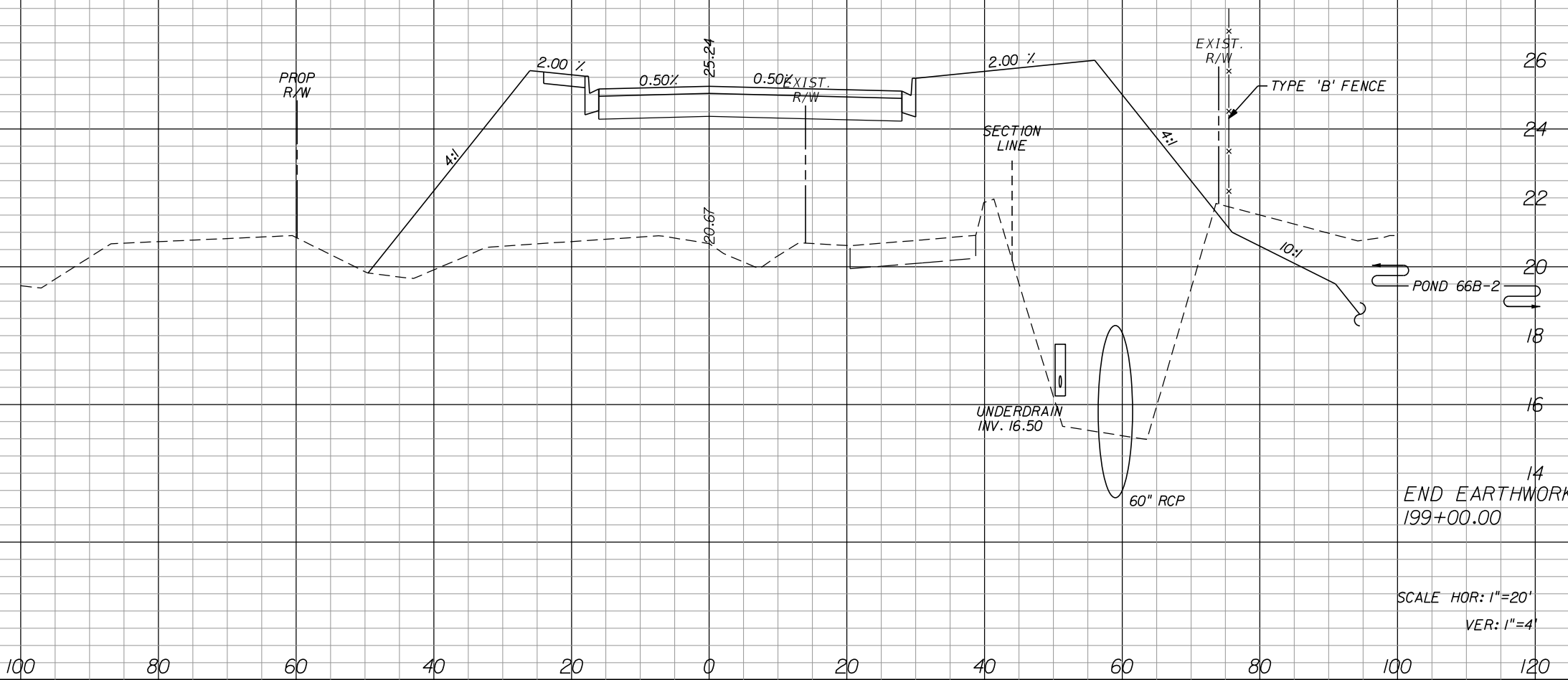
Kimley»Horn
 BRIAN A. GOOD, P.E.
 P.E. LICENSE NUMBER 56939
 445 24th STREET, SUITE 200
 VERO BEACH, FL 32960
 (772) 794-4100
 CERTIFICATE OF AUTHORIZATION# 00000696

**INDIAN RIVER COUNTY
 BOARD OF COUNTY COMMISSIONERS**
**66th AVENUE ROADWAY WIDENING -
 PHASE IB 49th STREET TO 69th STREET**

**65th STREET
 CROSS SECTIONS**

SHEET NO.
165

Regular Exc.		Embankment		Subsoil Exc.	
A	V	A	V	A	V
0.00	0.00	641.47	1890.61	0.00	0.00



REVISIONS					
DATE	BY	DESCRIPTION	DATE	BY	DESCRIPTION

Kimley»Horn
 BRIAN A. GOOD, P.E.
 P.E. LICENSE NUMBER 56939
 445 24th STREET, SUITE 200
 VERO BEACH, FL 32960
 (772) 794-4100
 CERTIFICATE OF AUTHORIZATION# 00000696

**INDIAN RIVER COUNTY
 BOARD OF COUNTY COMMISSIONERS**
**66th AVENUE ROADWAY WIDENING -
 PHASE IB 49th STREET TO 69th STREET**

**65th STREET
 CROSS SECTIONS**

SHEET NO.
 166

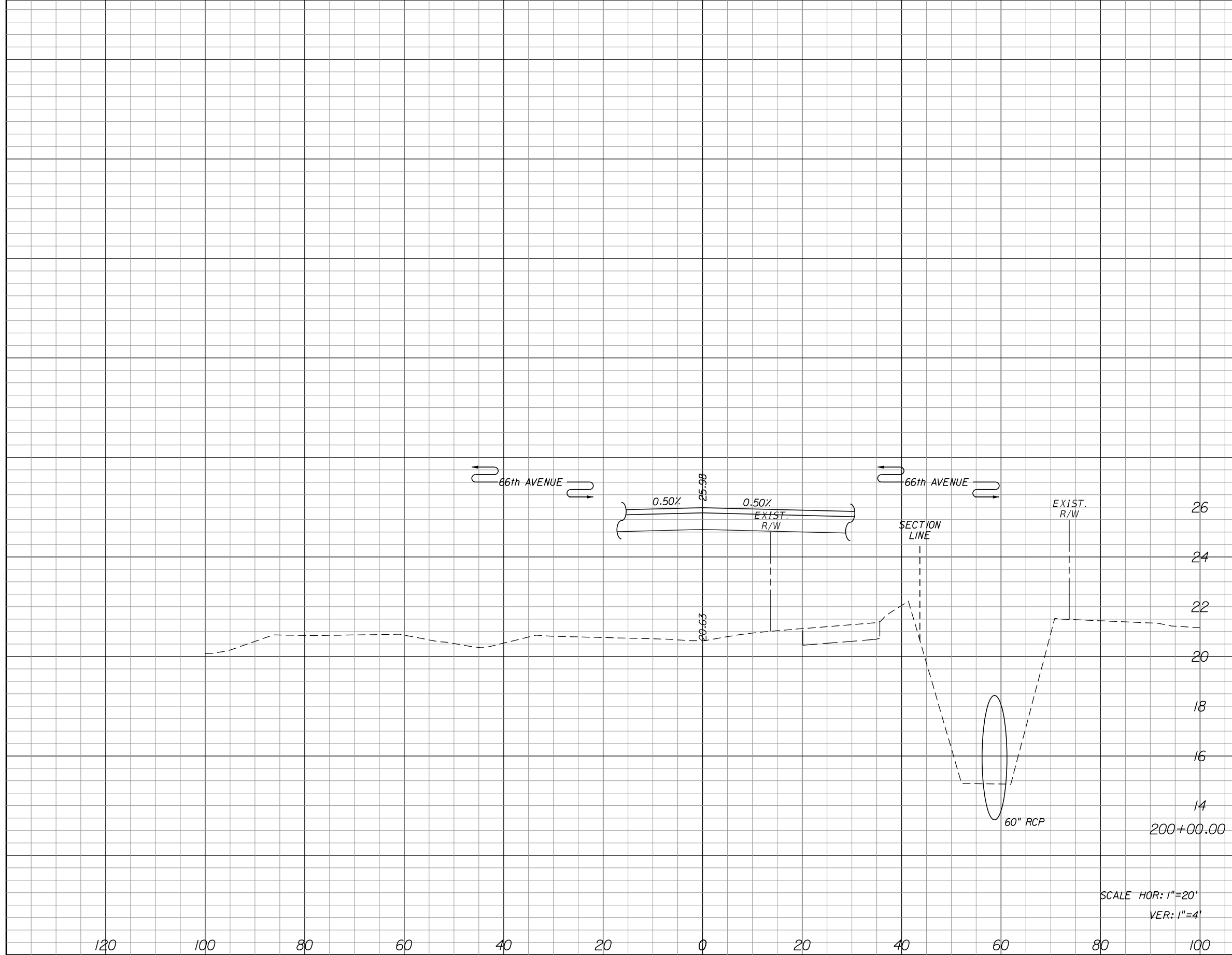
THE OFFICIAL RECORD OF THIS SHEET IS THE ELECTRONIC FILE DIGITALLY SIGNED AND SEALED UNDER RULE 61G15-23.004, F.A.C. 1505 I.R.CO. Proj. No.

Regular Exc.		Embankment		Subsoil Exc.	
A	V	A	V	A	V

1505

IRCO Proj. No.

THE OFFICIAL RECORD OF THIS SHEET IS THE ELECTRONIC FILE DIGITALLY SIGNED AND SEALED UNDER RULE 61G15-23.004, F.A.C.



REVISIONS					
DATE	BY	DESCRIPTION	DATE	BY	DESCRIPTION

Kimley»Horn
 BRIAN A. GOOD, P.E.
 P.E. LICENSE NUMBER 56939
 445 24th STREET, SUITE 200
 VERO BEACH, FL 32960
 (772) 794-4100
 CERTIFICATE OF AUTHORIZATION# 00000696

**INDIAN RIVER COUNTY
 BOARD OF COUNTY COMMISSIONERS**
**66th AVENUE ROADWAY WIDENING -
 PHASE IB 49th STREET TO 69th STREET**

**65th STREET
 CROSS SECTIONS**

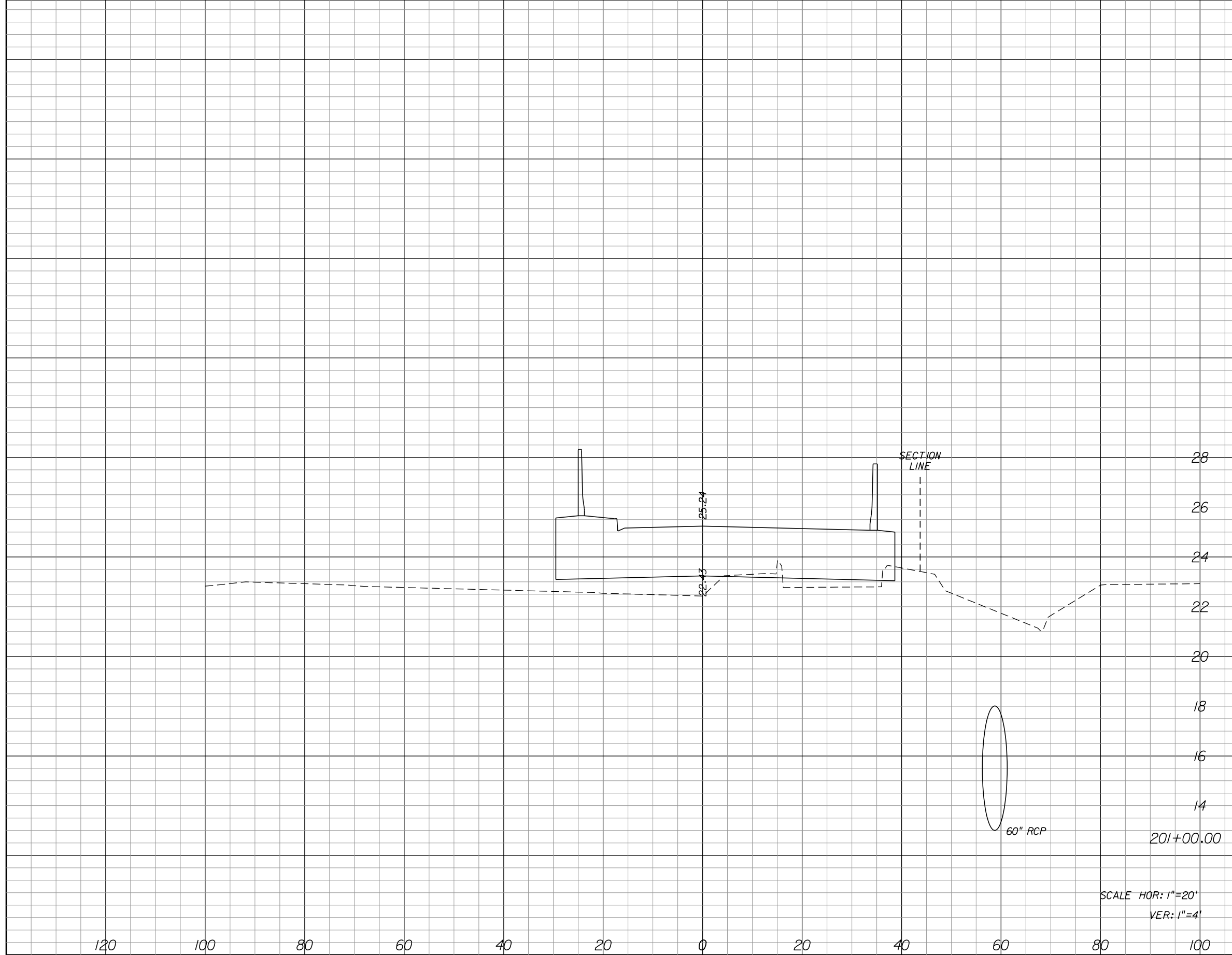
SHEET NO.
 167

Regular Exc.		Embankment		Subsoil Exc.	
A	V	A	V	A	V

1505

IRCO Proj. No.

THE OFFICIAL RECORD OF THIS SHEET IS THE ELECTRONIC FILE DIGITALLY SIGNED AND SEALED UNDER RULE 61G15-23.004, F.A.C.



SCALE HOR: 1"=20'
VER: 1"=4'

REVISIONS					
DATE	BY	DESCRIPTION	DATE	BY	DESCRIPTION

Kimley»Horn
 BRIAN A. GOOD, P.E.
 P.E. LICENSE NUMBER 56939
 445 24th STREET, SUITE 200
 VERO BEACH, FL 32960
 (772) 794-4100
 CERTIFICATE OF AUTHORIZATION# 00000696

**INDIAN RIVER COUNTY
 BOARD OF COUNTY COMMISSIONERS**
**66th AVENUE ROADWAY WIDENING -
 PHASE IB 49th STREET TO 69th STREET**

**65th STREET
 CROSS SECTIONS**

SHEET NO.
168

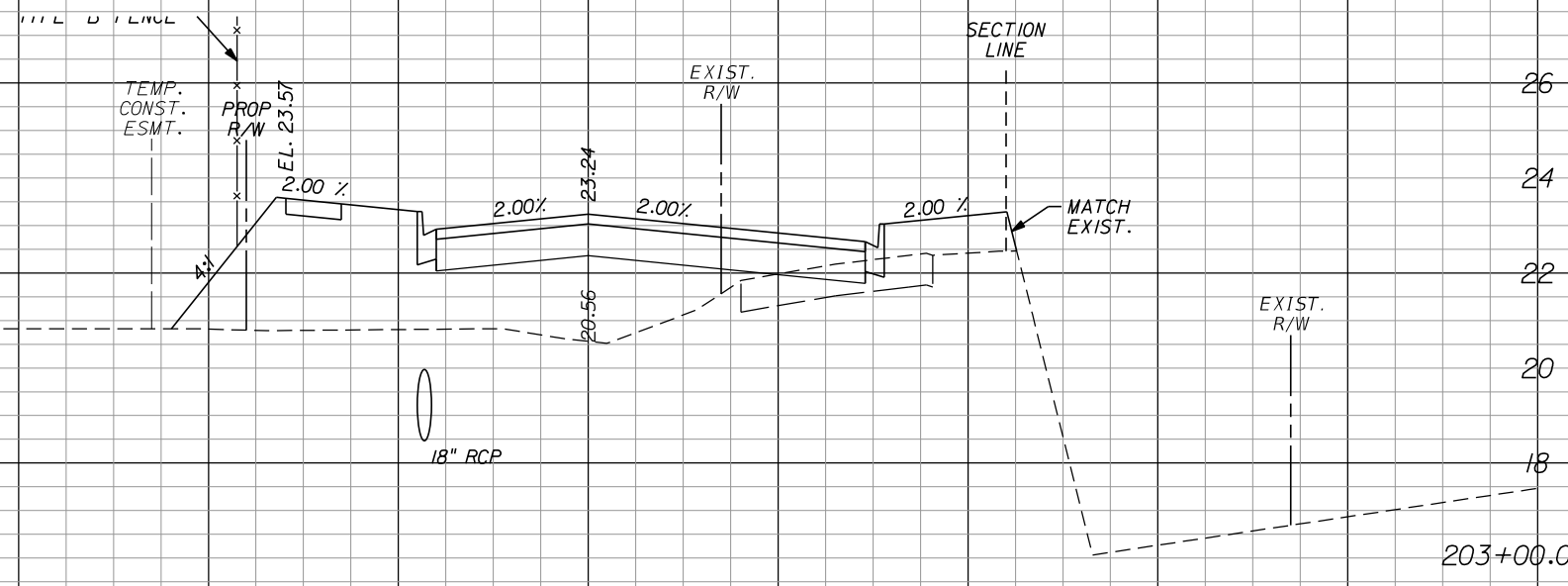
Regular Exc. Embankment Subsoil Exc.

A V A V A V

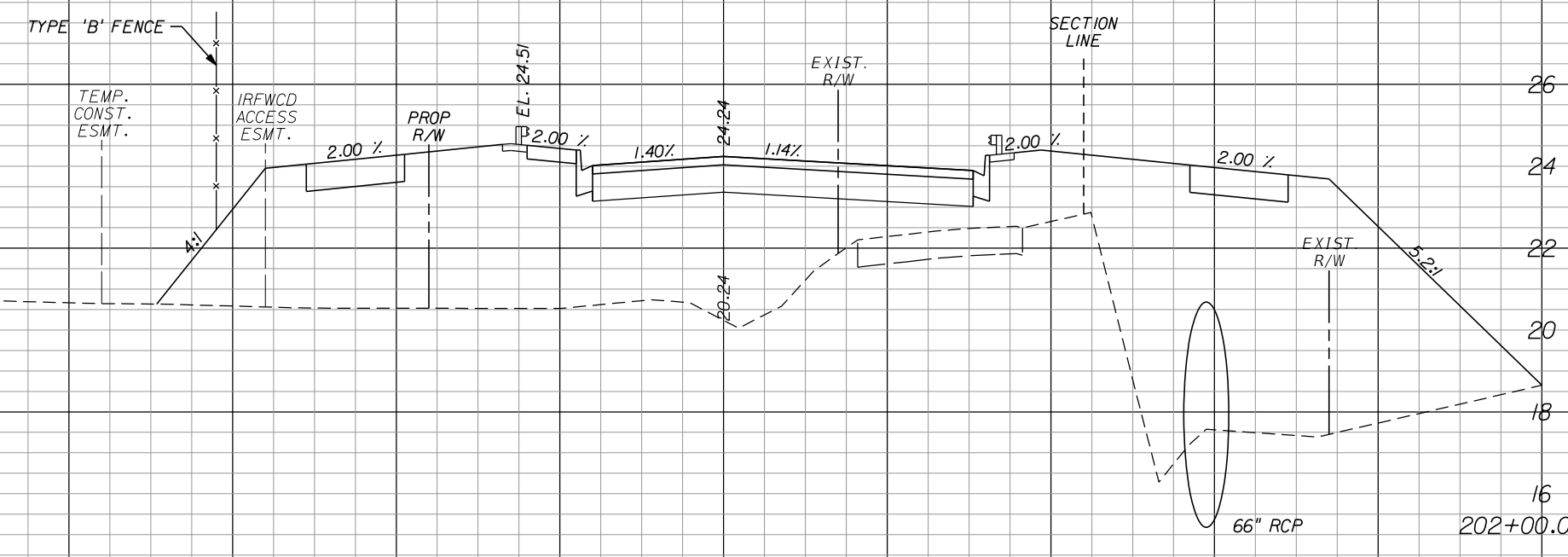
1505

IRCO Proj. No.

THE OFFICIAL RECORD OF THIS SHEET IS THE ELECTRONIC FILE DIGITALLY SIGNED AND SEALED UNDER RULE 61G15-23.004, F.A.C.



2.99	5.54	107.80	1166.44	0.00	0.00
------	------	--------	---------	------	------



0.00	0.00	522.08	708.68	0.00	0.00
------	------	--------	--------	------	------

BEGIN EARTHWORK
201+63.35
SCALE HOR: 1"=20'
VER: 1"=4'

120 100 80 60 40 20 0 20 40 60 80 100

REVISIONS					
DATE	BY	DESCRIPTION	DATE	BY	DESCRIPTION

Kimley»Horn
 BRIAN A. GOOD, P.E.
 P.E. LICENSE NUMBER 56939
 445 24th STREET, SUITE 200
 VERO BEACH, FL 32960
 (772) 794-4100
 CERTIFICATE OF AUTHORIZATION# 00000696

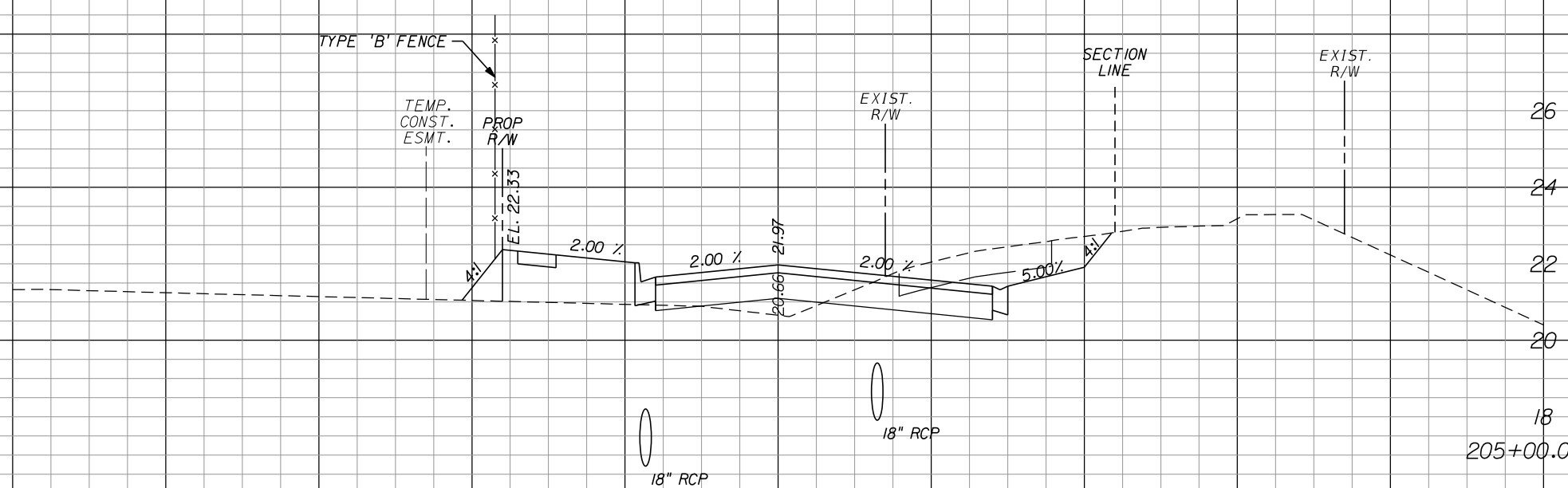
**INDIAN RIVER COUNTY
 BOARD OF COUNTY COMMISSIONERS**
**66th AVENUE ROADWAY WIDENING -
 PHASE IB 49th STREET TO 69th STREET**

**65th STREET
 CROSS SECTIONS**

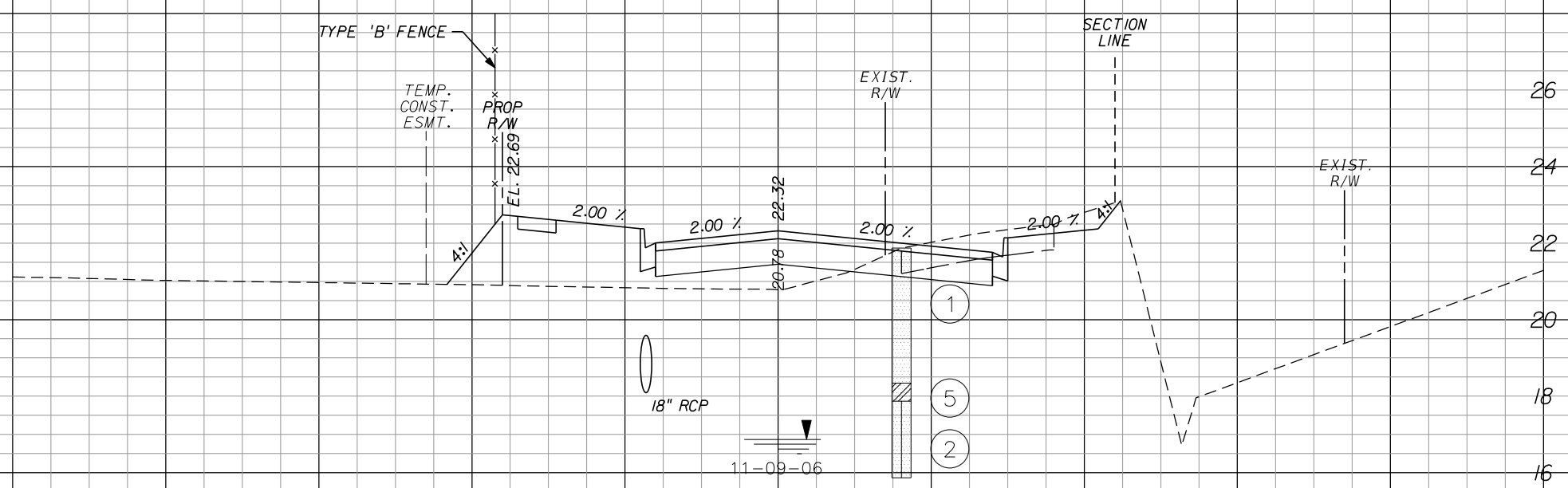
SHEET NO.
169

Regular Exc. Embankment Subsoil Exc.

A V A V A V



17.33	73.72	27.06	138.20	0.00	0.00
-------	-------	-------	--------	------	------



22.48	47.17	47.57	287.72	0.00	0.00
-------	-------	-------	--------	------	------

SCALE HOR: 1"=20'
VER: 1"=4'

DATE	BY	DESCRIPTION	DATE	BY	DESCRIPTION
------	----	-------------	------	----	-------------

Kimley»Horn
 BRIAN A. GOOD, P.E.
 P.E. LICENSE NUMBER 56939
 445 24th STREET, SUITE 200
 VERO BEACH, FL 32960
 (772) 794-4100
 CERTIFICATE OF AUTHORIZATION# 00000696

INDIAN RIVER COUNTY
BOARD OF COUNTY COMMISSIONERS
66th AVENUE ROADWAY WIDENING -
PHASE IB 49th STREET TO 69th STREET

65th STREET
CROSS SECTIONS

SHEET NO.
170

THE OFFICIAL RECORD OF THIS SHEET IS THE ELECTRONIC FILE DIGITALLY SIGNED AND SEALED UNDER RULE 61G15-23.004, F.A.C. I.R.CO. Proj. No. 1505

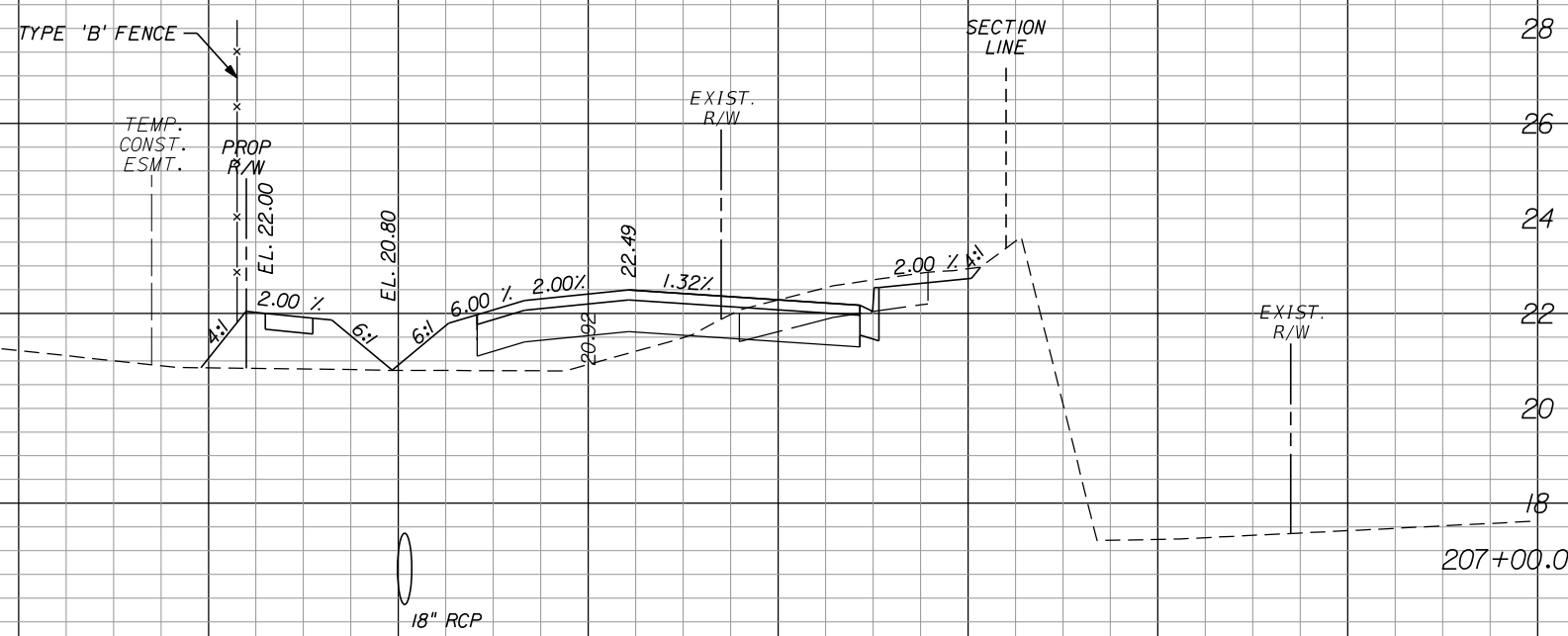
Regular Exc. Embankment Subsoil Exc.

A V A V A V

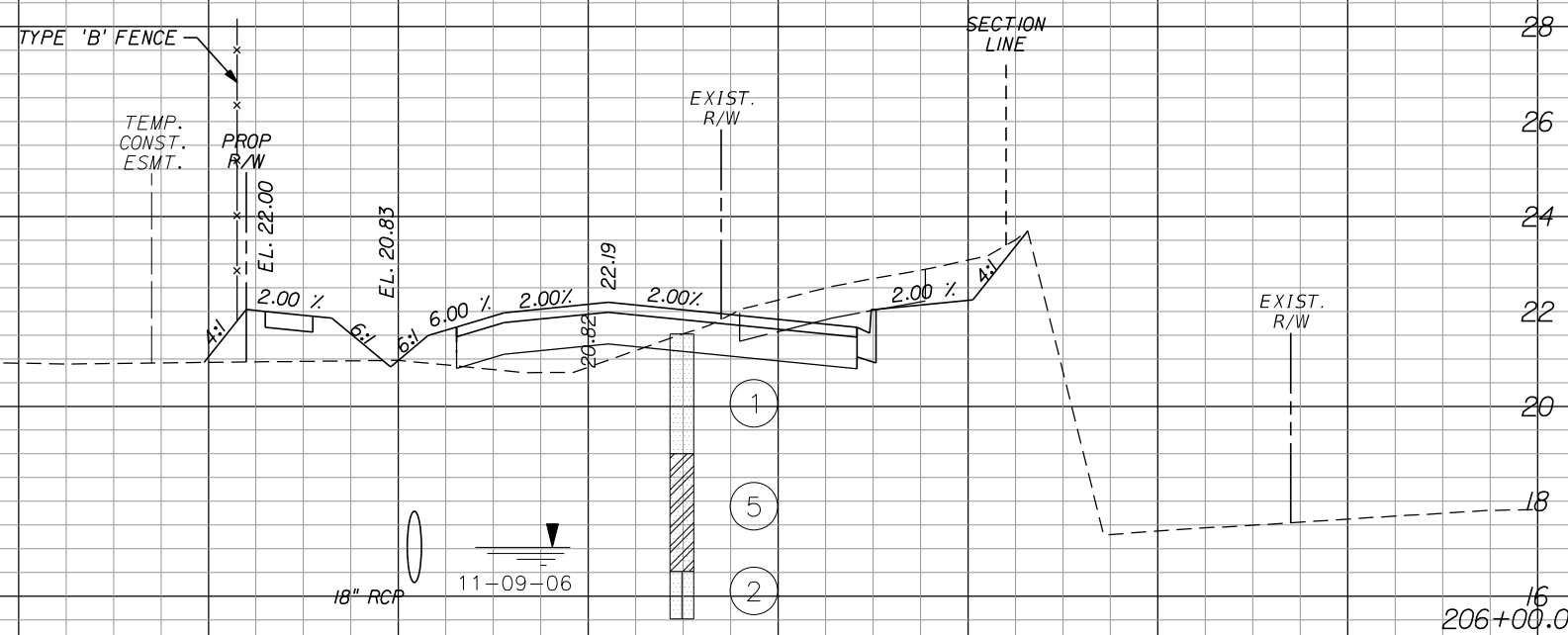
1505

IRCO Proj. No.

THE OFFICIAL RECORD OF THIS SHEET IS THE ELECTRONIC FILE DIGITALLY SIGNED AND SEALED UNDER RULE 61G15-23.004, F.A.C.



18.96	100.85	33.65	106.11	0.00	0.00
-------	--------	-------	--------	------	------



35.50	97.83	23.65	93.91	0.00	0.00
-------	-------	-------	-------	------	------

SCALE HOR: 1"=20'
VER: 1"=4'

120 100 80 60 40 20 0 20 40 60 80 100

REVISIONS					
DATE	BY	DESCRIPTION	DATE	BY	DESCRIPTION

Kimley»Horn
 BRIAN A. GOOD, P.E.
 P.E. LICENSE NUMBER 56939
 445 24th STREET, SUITE 200
 VERO BEACH, FL 32960
 (772) 794-4100
 CERTIFICATE OF AUTHORIZATION# 00000696

**INDIAN RIVER COUNTY
 BOARD OF COUNTY COMMISSIONERS**
**66th AVENUE ROADWAY WIDENING -
 PHASE IB 49th STREET TO 69th STREET**

**65th STREET
 CROSS SECTIONS**

SHEET NO.
171

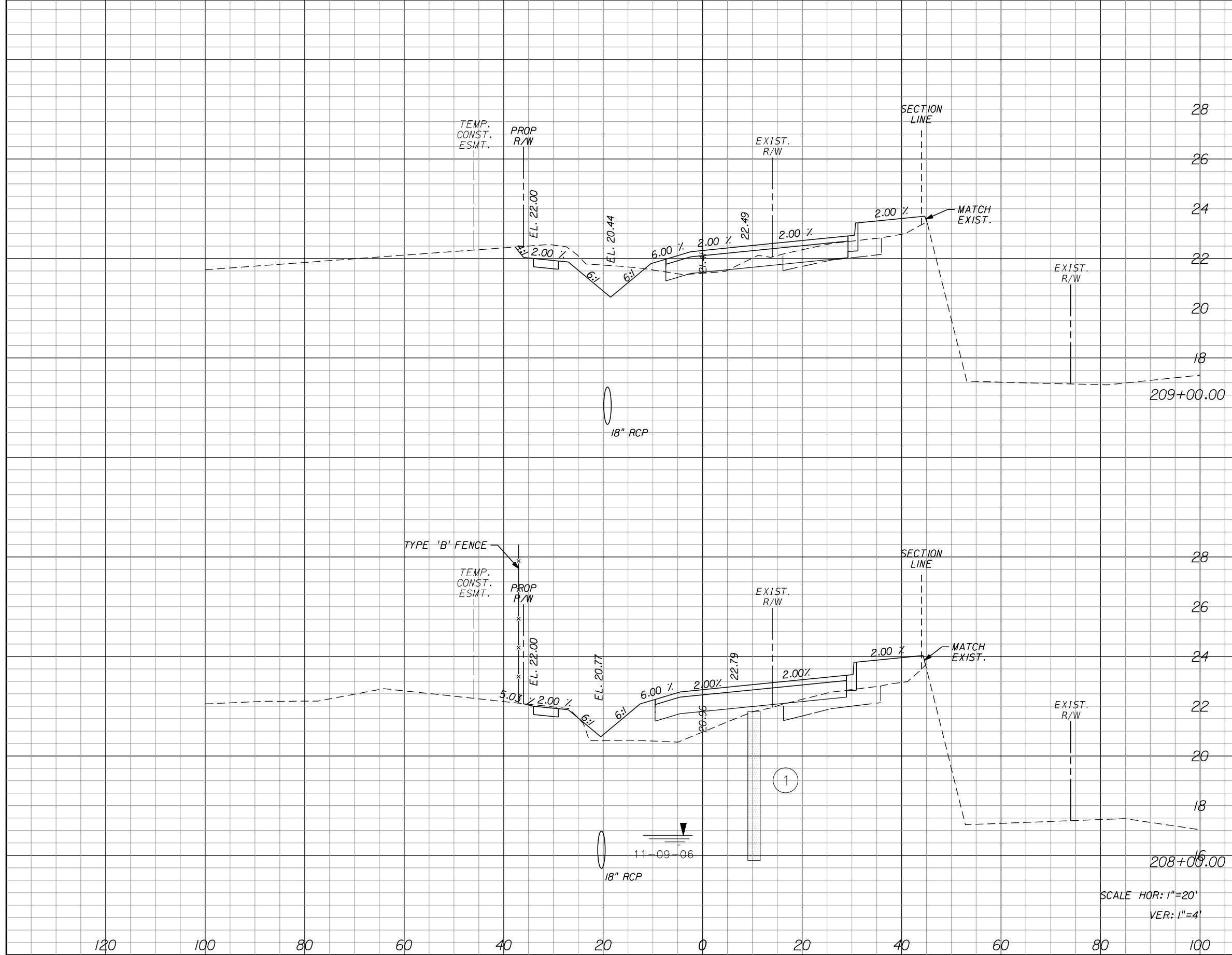
Regular Exc. Embankment Subsoil Exc.

A V A V A V

1505

IRCO Proj. No.

THE OFFICIAL RECORD OF THIS SHEET IS THE ELECTRONIC FILE DIGITALLY SIGNED AND SEALED UNDER RULE 61G15-23.004, F.A.C.



28.29	60.17	10.95	100.39	0.00	0.00
-------	-------	-------	--------	------	------

4.20	42.89	43.26	142.43	0.00	0.00
------	-------	-------	--------	------	------

SCALE HOR: 1"=20'
VER: 1"=4'

REVISIONS					
DATE	BY	DESCRIPTION	DATE	BY	DESCRIPTION

Kimley»Horn
 BRIAN A. GOOD, P.E.
 P.E. LICENSE NUMBER 56939
 445 24th STREET, SUITE 200
 VERO BEACH, FL 32960
 (772) 794-4100
 CERTIFICATE OF AUTHORIZATION# 00000696

**INDIAN RIVER COUNTY
 BOARD OF COUNTY COMMISSIONERS**
**66th AVENUE ROADWAY WIDENING -
 PHASE IB 49th STREET TO 69th STREET**

**65th STREET
 CROSS SECTIONS**

SHEET NO.
172

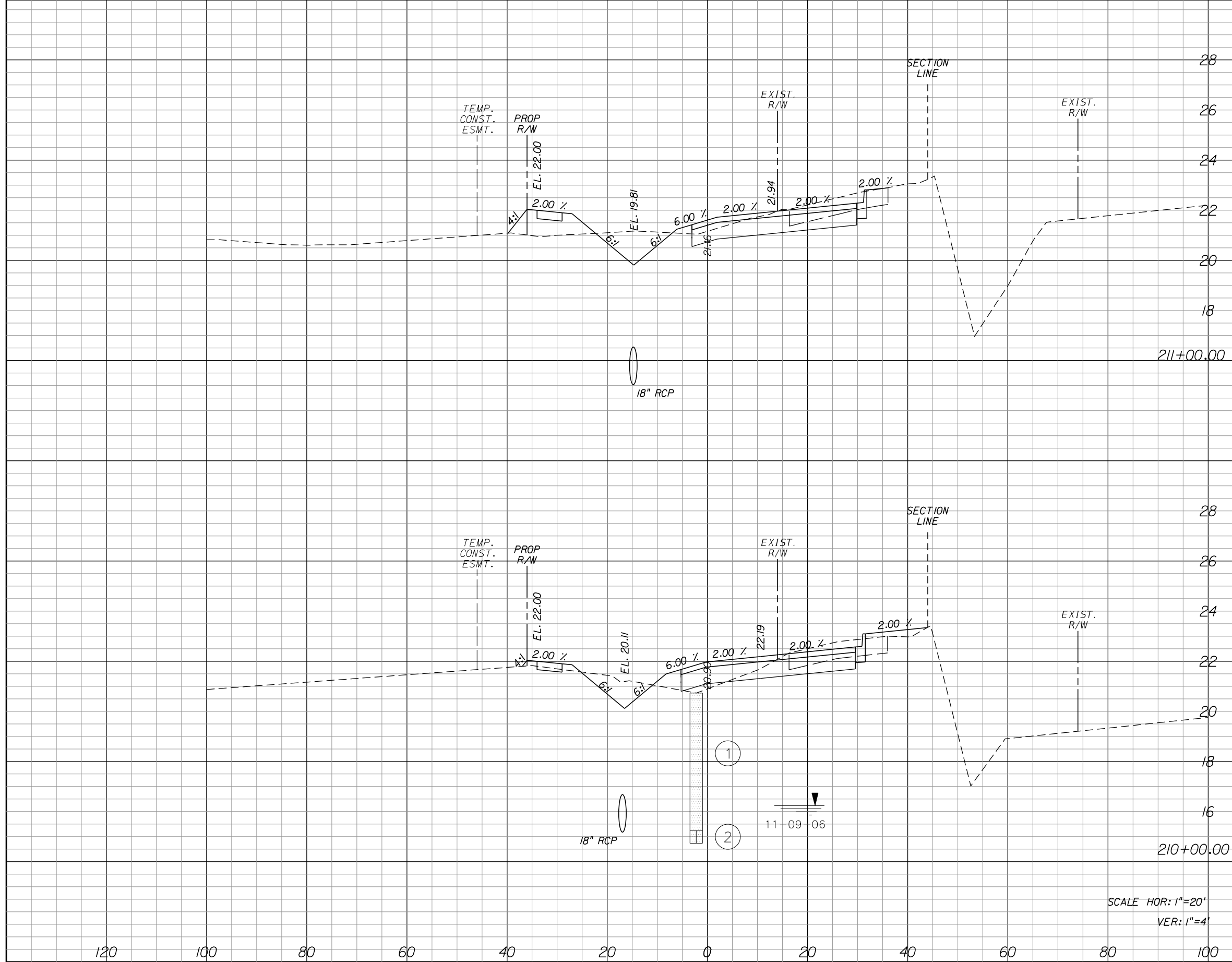
Regular Exc. Embankment Subsoil Exc.

A V A V A V

1505

IRCO Proj. No.

THE OFFICIAL RECORD OF THIS SHEET IS THE ELECTRONIC FILE DIGITALLY SIGNED AND SEALED UNDER RULE 61G15-23.004, F.A.C.



36.77	121.80	12.07	40.22	0.00	0.00
-------	--------	-------	-------	------	------

29.00	106.09	9.65	38.15	0.00	0.00
-------	--------	------	-------	------	------

SCALE HOR: 1"=20'
VER: 1"=4'

REVISIONS					
DATE	BY	DESCRIPTION	DATE	BY	DESCRIPTION

Kimley»Horn
 BRIAN A. GOOD, P.E.
 P.E. LICENSE NUMBER 56939
 445 24th STREET, SUITE 200
 VERO BEACH, FL 32960
 (772) 794-4100
 CERTIFICATE OF AUTHORIZATION# 00000696

**INDIAN RIVER COUNTY
 BOARD OF COUNTY COMMISSIONERS**
**66th AVENUE ROADWAY WIDENING -
 PHASE IB 49th STREET TO 69th STREET**

**65th STREET
 CROSS SECTIONS**

SHEET NO.
173

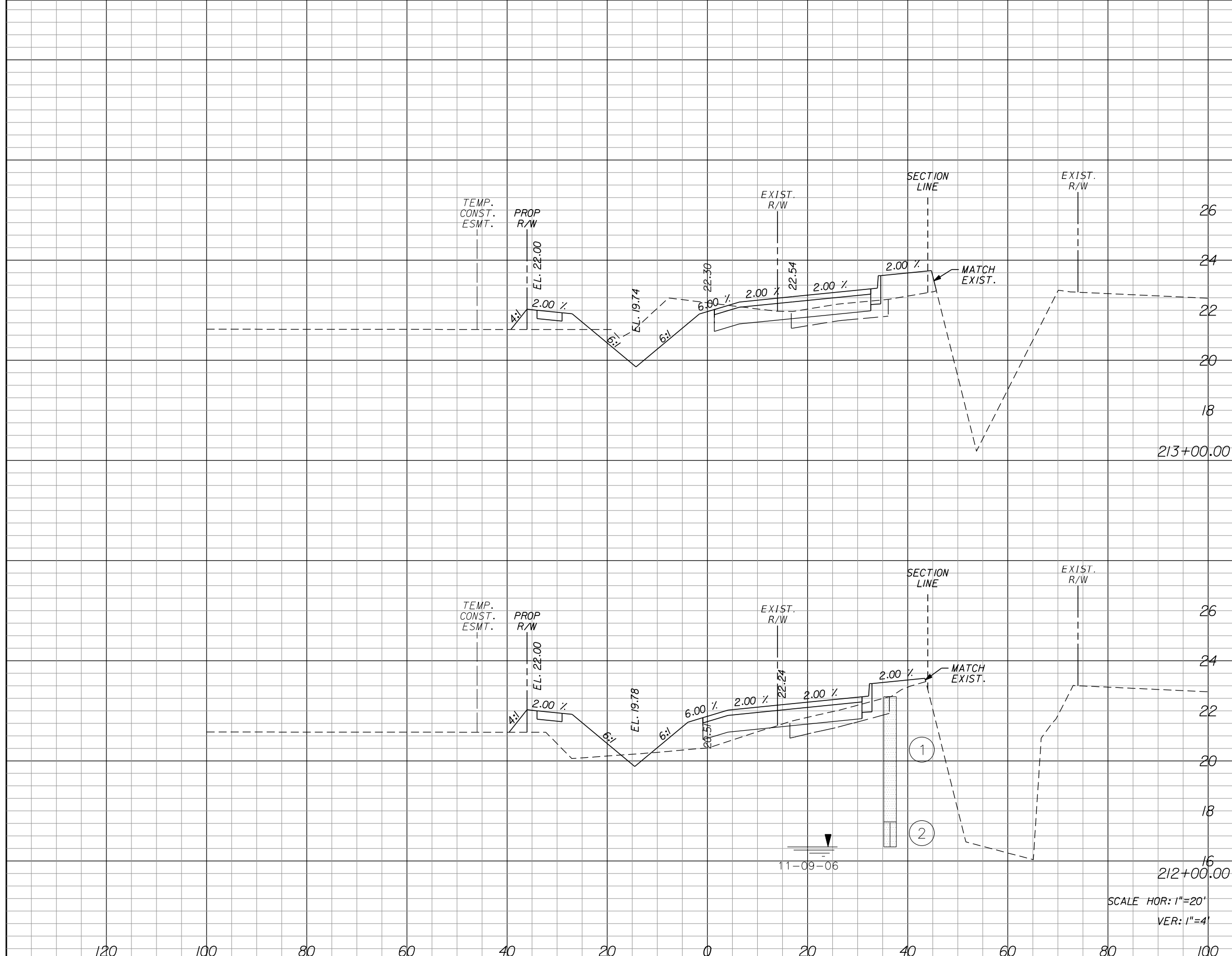
Regular Exc. Embankment Subsoil Exc.

A V A V A V

1505

IRCO Proj. No.

THE OFFICIAL RECORD OF THIS SHEET IS THE ELECTRONIC FILE DIGITALLY SIGNED AND SEALED UNDER RULE 61G15-23.004, F.A.C.



36.16	80.81	16.27	98.44	0.00	0.00
-------	-------	-------	-------	------	------

7.48	81.94	36.89	90.67	0.00	0.00
------	-------	-------	-------	------	------

SCALE HOR: 1"=20'
VER: 1"=4'

REVISIONS					
DATE	BY	DESCRIPTION	DATE	BY	DESCRIPTION

Kimley»Horn
 BRIAN A. GOOD, P.E.
 P.E. LICENSE NUMBER 56939
 445 24th STREET, SUITE 200
 VERO BEACH, FL 32960
 (772) 794-4100
 CERTIFICATE OF AUTHORIZATION# 00000696

**INDIAN RIVER COUNTY
 BOARD OF COUNTY COMMISSIONERS**
**66th AVENUE ROADWAY WIDENING -
 PHASE IB 49th STREET TO 69th STREET**

**65th STREET
 CROSS SECTIONS**

SHEET NO.
174

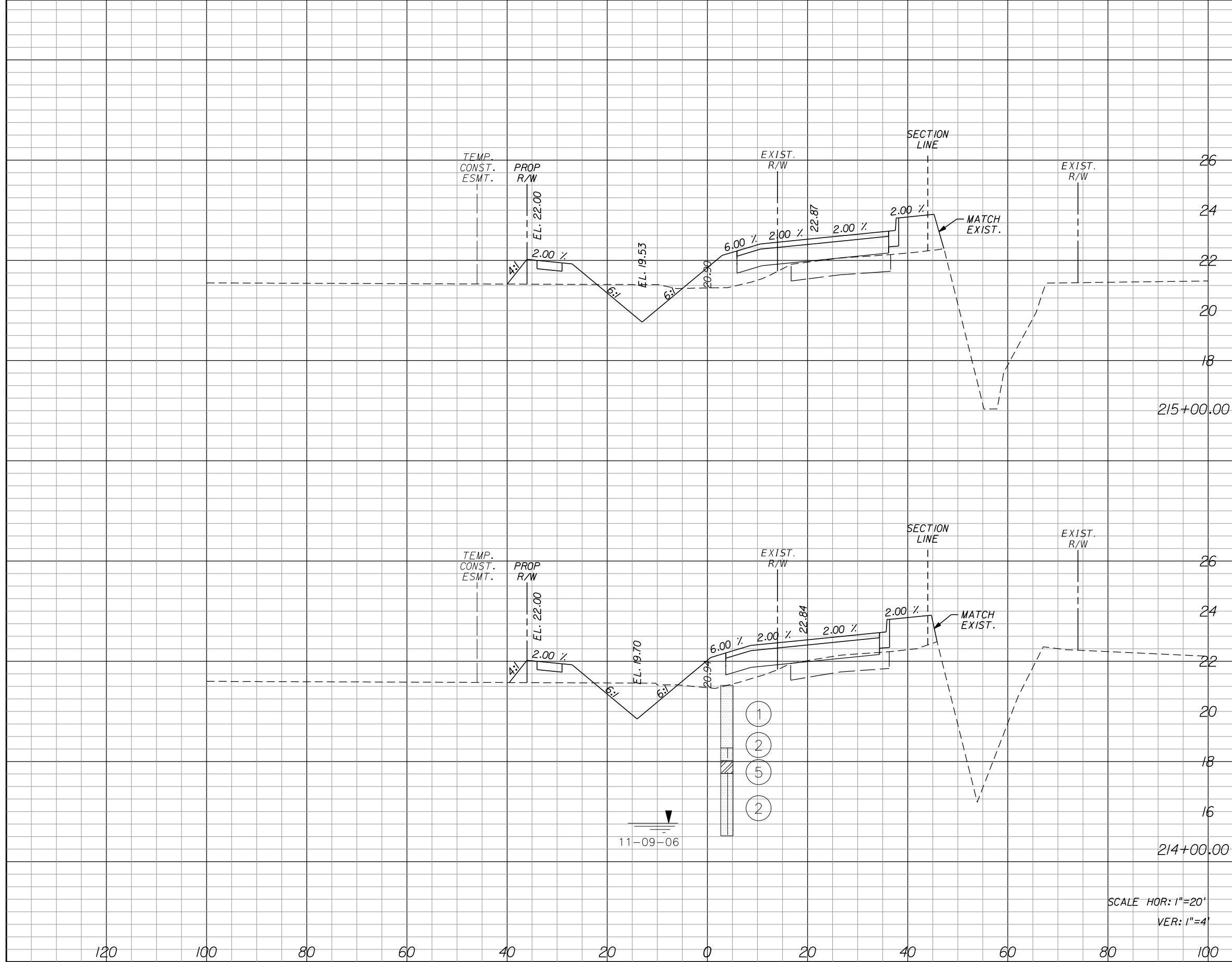
Regular Exc. Embankment Subsoil Exc.

A V A V A V

1505

IRCO Proj. No.

THE OFFICIAL RECORD OF THIS SHEET IS THE ELECTRONIC FILE DIGITALLY SIGNED AND SEALED UNDER RULE 61G15-23.004, F.A.C.



12.67	47.00	36.69	129.69	0.00	0.00
-------	-------	-------	--------	------	------

12.71	90.50	33.34	91.87	0.00	0.00
-------	-------	-------	-------	------	------

REVISIONS					
DATE	BY	DESCRIPTION	DATE	BY	DESCRIPTION

Kimley»Horn
 BRIAN A. GOOD, P.E.
 P.E. LICENSE NUMBER 56939
 445 24th STREET, SUITE 200
 VERO BEACH, FL 32960
 (772) 794-4100
 CERTIFICATE OF AUTHORIZATION# 00000696

INDIAN RIVER COUNTY
BOARD OF COUNTY COMMISSIONERS
66th AVENUE ROADWAY WIDENING -
PHASE IB 49th STREET TO 69th STREET

65th STREET
CROSS SECTIONS

SHEET NO.
175

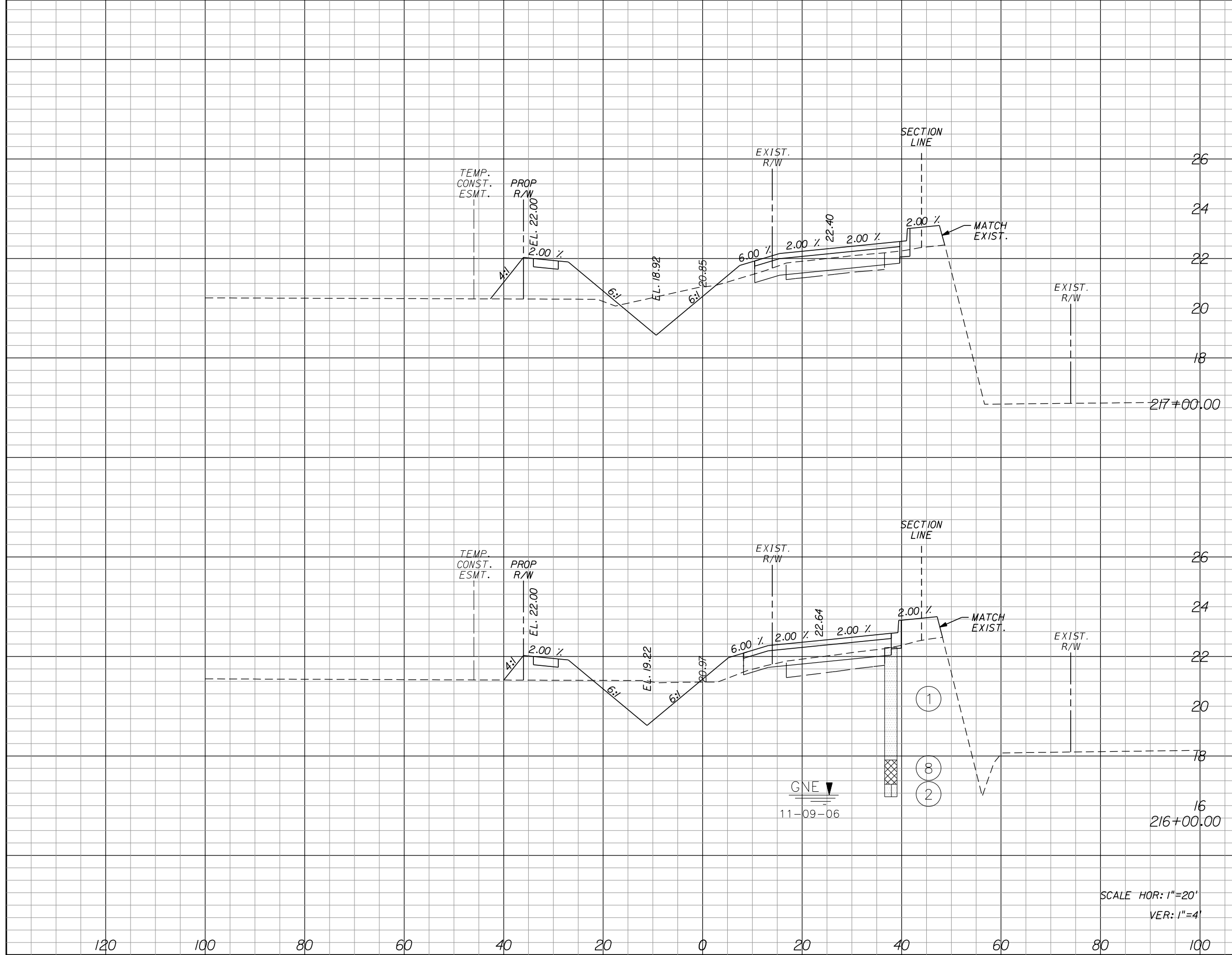
Regular Exc. Embankment Subsoil Exc.

A V A V A V

1505

IRCO Proj. No.

THE OFFICIAL RECORD OF THIS SHEET IS THE ELECTRONIC FILE DIGITALLY SIGNED AND SEALED UNDER RULE 61G15-23.004, F.A.C.



27.25	95.39	33.36	105.22	0.00	0.00
24.26	68.39	23.46	111.39	0.00	0.00

SCALE HOR: 1"=20'
VER: 1"=4'

REVISIONS					
DATE	BY	DESCRIPTION	DATE	BY	DESCRIPTION

Kimley»Horn
 BRIAN A. GOOD, P.E.
 P.E. LICENSE NUMBER 56939
 445 24th STREET, SUITE 200
 VERO BEACH, FL 32960
 (772) 794-4100
 CERTIFICATE OF AUTHORIZATION# 00000696

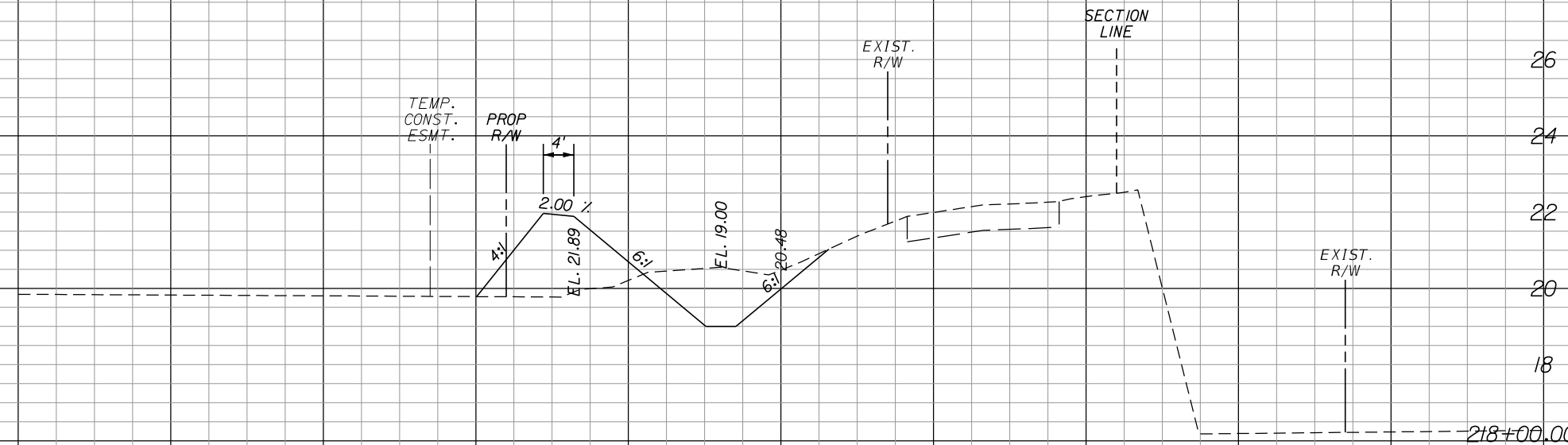
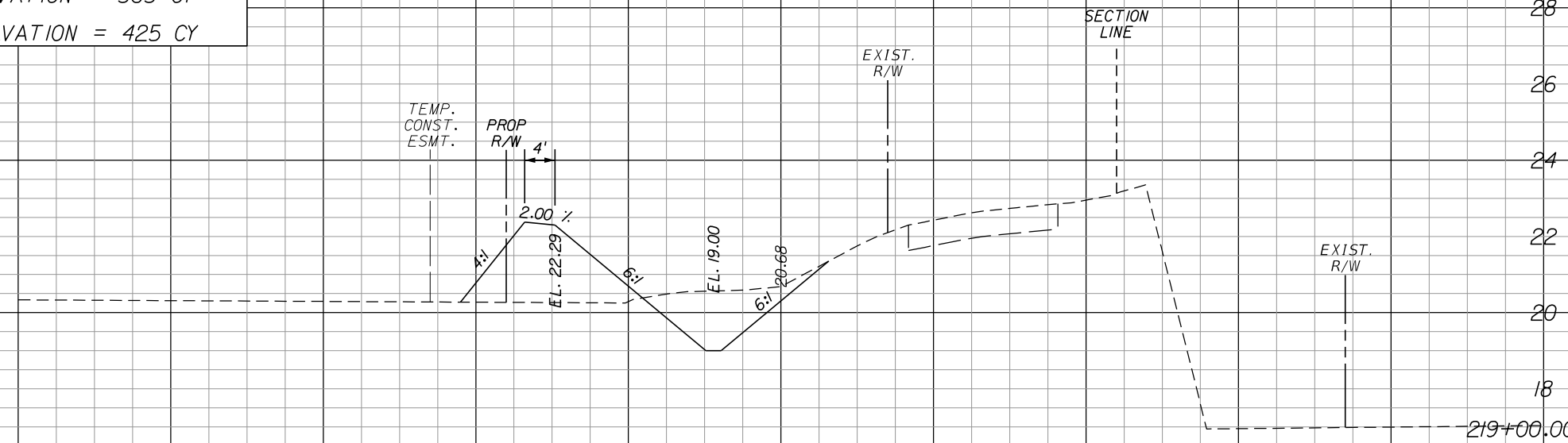
**INDIAN RIVER COUNTY
 BOARD OF COUNTY COMMISSIONERS**
**66th AVENUE ROADWAY WIDENING -
 PHASE IB 49th STREET TO 69th STREET**

**65th STREET
 CROSS SECTIONS**

SHEET NO.
176

65th STREET EARTHWORK SUMMARY
 REGULAR EXCAVATION = 2,708 CY
 EMBANKMENT = 9,599 CY
 SUBSOIL EXCAVATION = 363 CY
 CHANNEL EXCAVATION = 425 CY

END EARTHWORK
 219+25.84



SCALE HOR: 1"=20'
 VER: 1"=4'

Station	Regular Exc.		Embankment		Subsoil Exc.	
	A	V	A	V	A	V
219+00.00	18.57	17.77	29.35	28.09	0.00	0.00
218+00.00	18.57	70.35	29.35	105.44	0.00	0.00
217+00.00	19.42	86.43	27.59	112.87	0.00	0.00

120 100 80 60 40 20 0 20 40 60 80 100

REVISIONS					
DATE	BY	DESCRIPTION	DATE	BY	DESCRIPTION

Kimley»Horn
 BRIAN A. GOOD, P.E.
 P.E. LICENSE NUMBER 56939
 445 24th STREET, SUITE 200
 VERO BEACH, FL 32960
 (772) 794-4100
 CERTIFICATE OF AUTHORIZATION# 00000696

**INDIAN RIVER COUNTY
 BOARD OF COUNTY COMMISSIONERS**
 66th AVENUE ROADWAY WIDENING -
 PHASE IB 49th STREET TO 69th STREET

**65th STREET
 CROSS SECTIONS**

SHEET NO.
 177

THE OFFICIAL RECORD OF THIS SHEET IS THE ELECTRONIC FILE DIGITALLY SIGNED AND SEALED UNDER RULE 61G15-23.004, F.A.C.

IRCO Proj. No. 1505

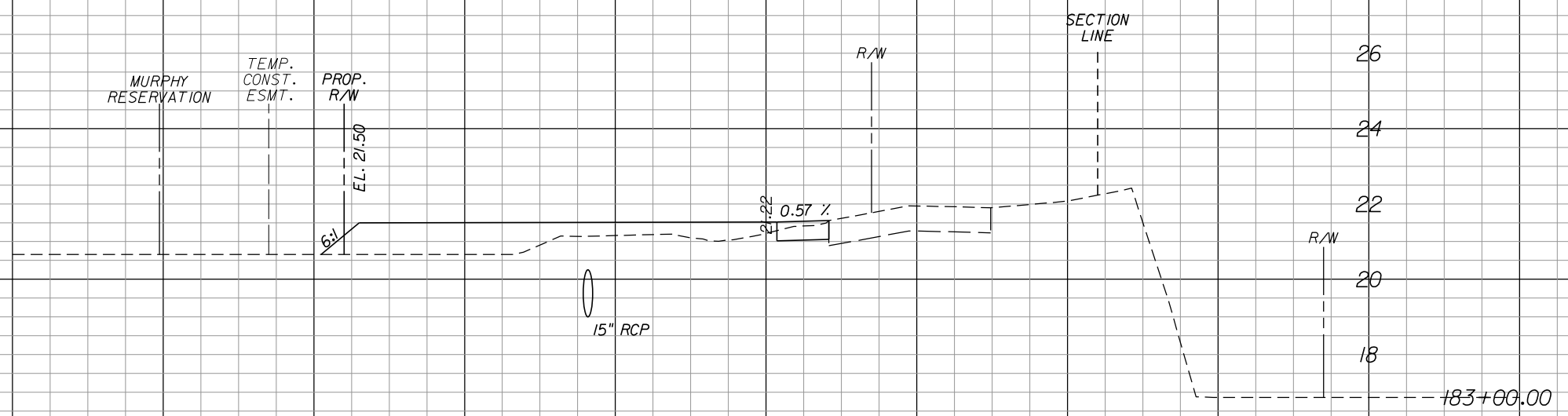
Regular Exc. Embankment Subsoil Exc.

A V A V A V

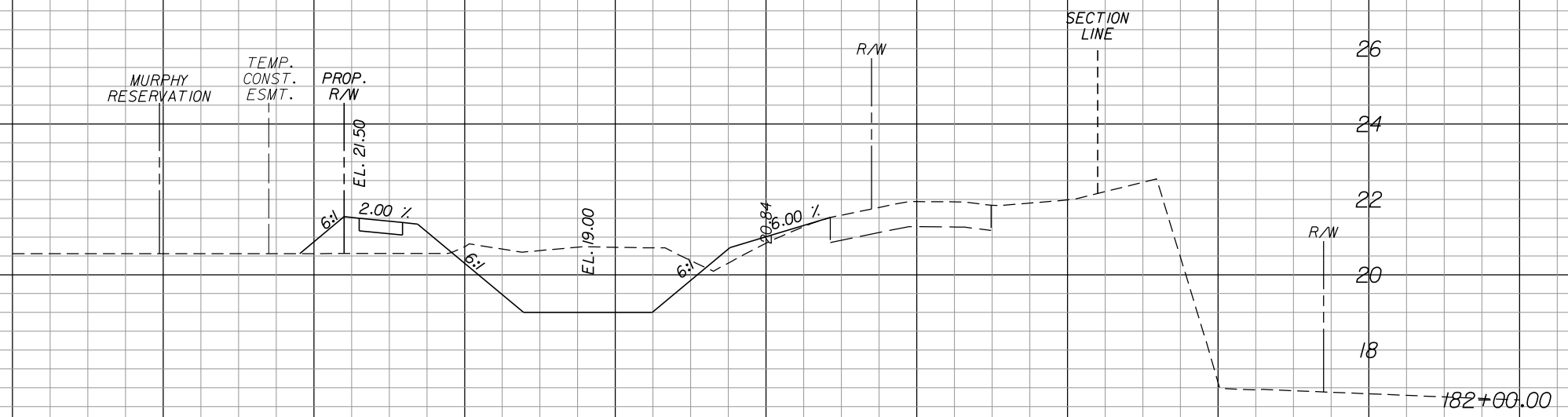
1505

IRCO Proj. No.

THE OFFICIAL RECORDS OF THIS SHEET IS THE ELECTRONIC FILE DIGITALLY SIGNED AND SEALED UNDER RULE 61G15-23.004, F.A.C.



0.00	81.85	34.10	89.19	0.00	0.00
------	-------	-------	-------	------	------



44.20	90.04	14.06	28.64	0.00	0.00
-------	-------	-------	-------	------	------

44.20	0.00	14.06	0.00	0.00	0.00
-------	------	-------	------	------	------

BEGIN EARTHWORK
181+45.00
SCALE HOR: 1"=20'
VER: 1"=4'

120 100 80 60 40 20 0 20 40 60 80 100

REVISIONS					
DATE	BY	DESCRIPTION	DATE	BY	DESCRIPTION

Kimley»Horn
BRIAN A. GOOD, P.E.
 P.E. LICENSE NUMBER 56939
 445 24th STREET, SUITE 200
 VERO BEACH, FL 32960
 (772) 794-4100
 CERTIFICATE OF AUTHORIZATION# 00000696

**INDIAN RIVER COUNTY
 BOARD OF COUNTY COMMISSIONERS**
**66th AVENUE ROADWAY WIDENING -
 PHASE IB 49th STREET TO 69th STREET**

**69th STREET
 CROSS SECTIONS**

SHEET NO.
178

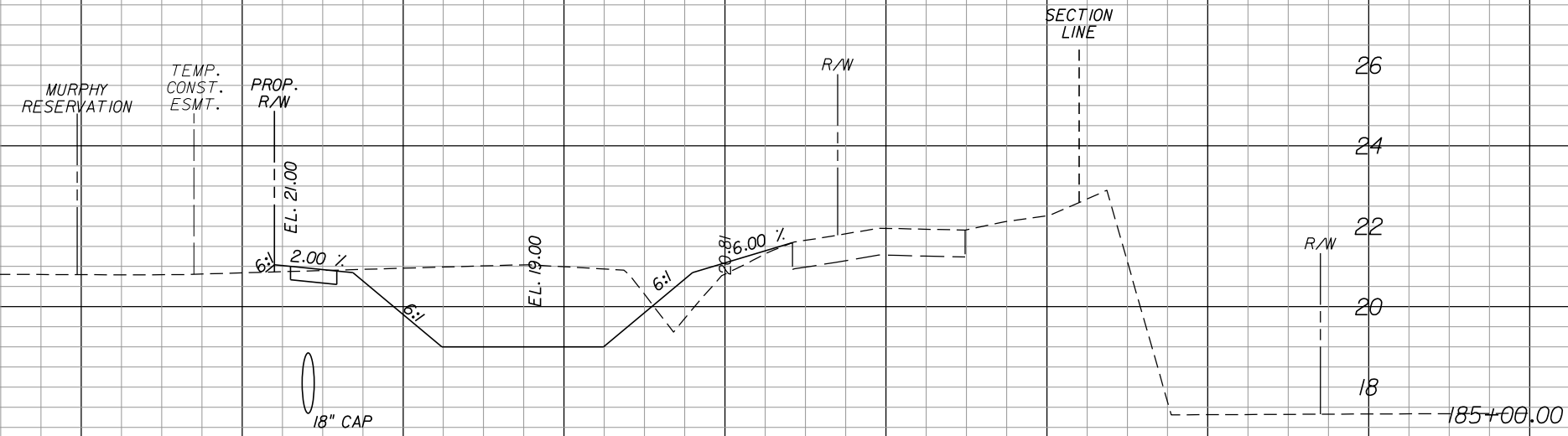
Regular Exc. Embankment Subsoil Exc.

A V A V A V

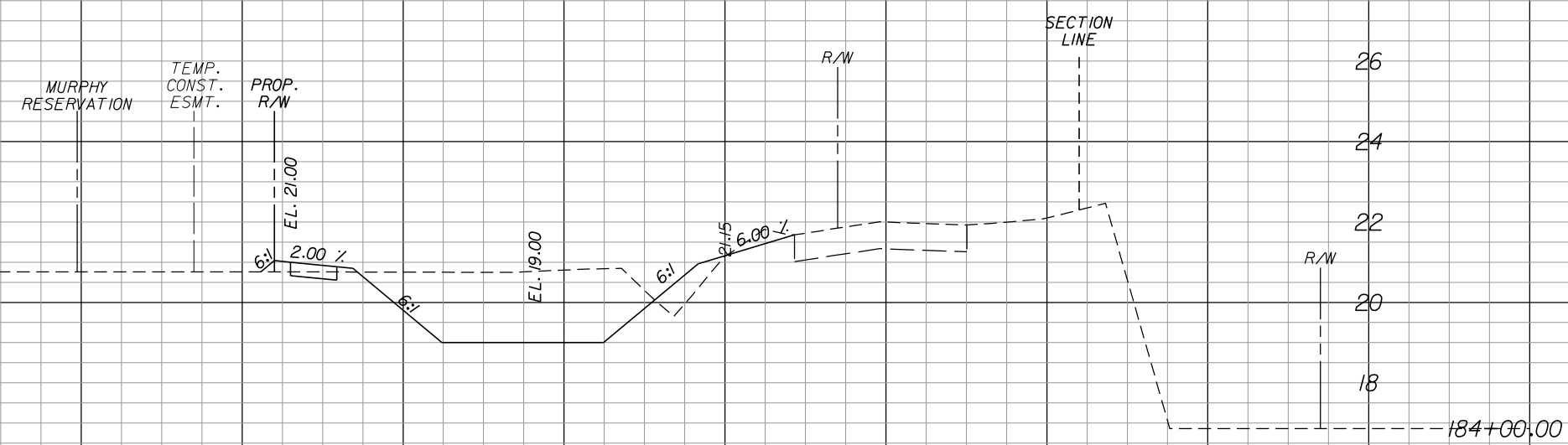
1505

IRCO Proj. No.

THE OFFICIAL RECORDS OF THIS SHEET IS THE ELECTRONIC FILE DIGITALLY SIGNED AND SEALED UNDER RULE 61G15-23.004, F.A.C.



52.98	186.59	12.40	44.74	0.00	0.00
-------	--------	-------	-------	------	------



44.78	88.48	11.76	84.93	0.00	0.00
-------	-------	-------	-------	------	------

SCALE HOR: 1"=20'
VER: 1"=4'

120 100 80 60 40 20 0 20 40 60 80 100

REVISIONS					
DATE	BY	DESCRIPTION	DATE	BY	DESCRIPTION

Kimley»Horn
BRIAN A. GOOD, P.E.
 P.E. LICENSE NUMBER 56939
 445 24th STREET, SUITE 200
 VERO BEACH, FL 32960
 (772) 794-4100
 CERTIFICATE OF AUTHORIZATION# 00000696

**INDIAN RIVER COUNTY
 BOARD OF COUNTY COMMISSIONERS**
**66th AVENUE ROADWAY WIDENING -
 PHASE IB 49th STREET TO 69th STREET**

**69th STREET
 CROSS SECTIONS**

SHEET NO.
179

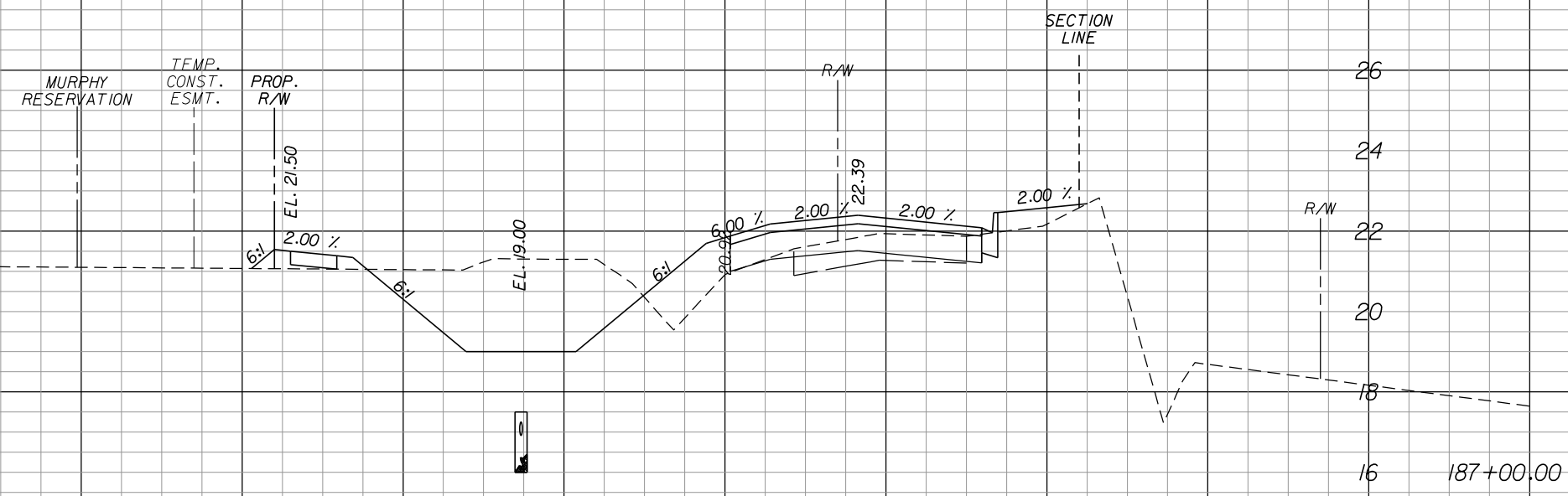
Regular Exc. Embankment Subsoil Exc.

A V A V A V

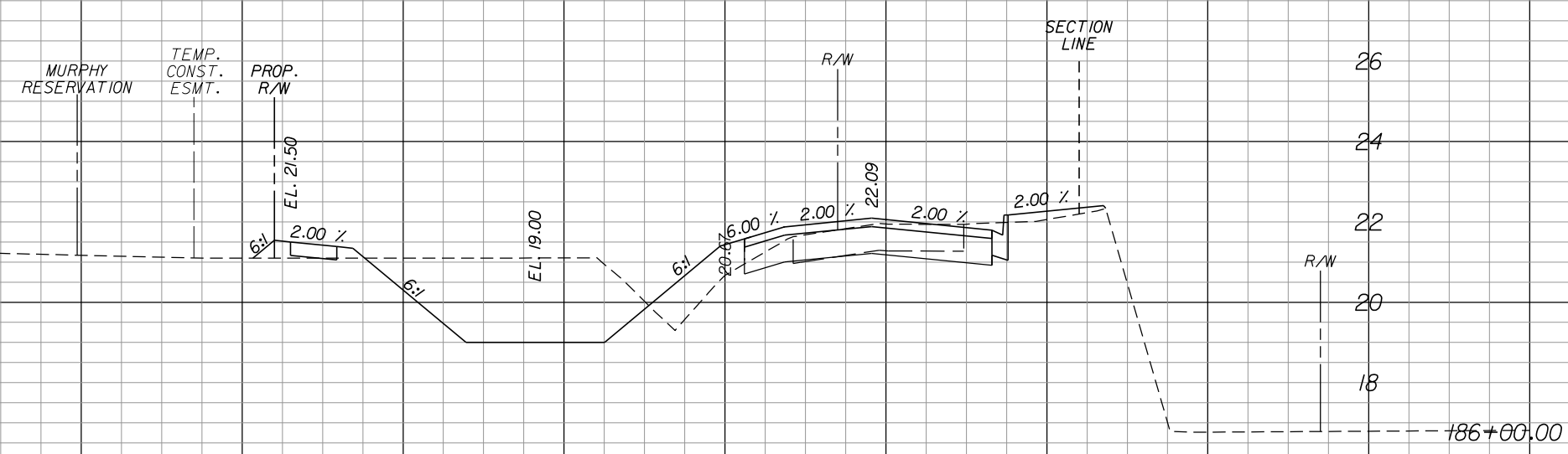
1505

IRCO Proj. No.

THE OFFICIAL RECORDS OF THIS SHEET IS THE ELECTRONIC FILE DIGITALLY SIGNED AND SEALED UNDER RULE 61G15-23.004, F.A.C.



65.83	264.50	20.71	65.69	0.00	0.00
-------	--------	-------	-------	------	------



77.00	240.70	14.76	50.30	0.00	0.00
-------	--------	-------	-------	------	------

SCALE HOR: 1"=20'
VER: 1"=4'

REVISIONS					
DATE	BY	DESCRIPTION	DATE	BY	DESCRIPTION

Kimley»Horn
 BRIAN A. GOOD, P.E.
 P.E. LICENSE NUMBER 56939
 445 24th STREET, SUITE 200
 VERO BEACH, FL 32960
 (772) 794-4100
 CERTIFICATE OF AUTHORIZATION# 00000696

**INDIAN RIVER COUNTY
 BOARD OF COUNTY COMMISSIONERS**
**66th AVENUE ROADWAY WIDENING -
 PHASE IB 49th STREET TO 69th STREET**

**69th STREET
 CROSS SECTIONS**

SHEET NO.
180

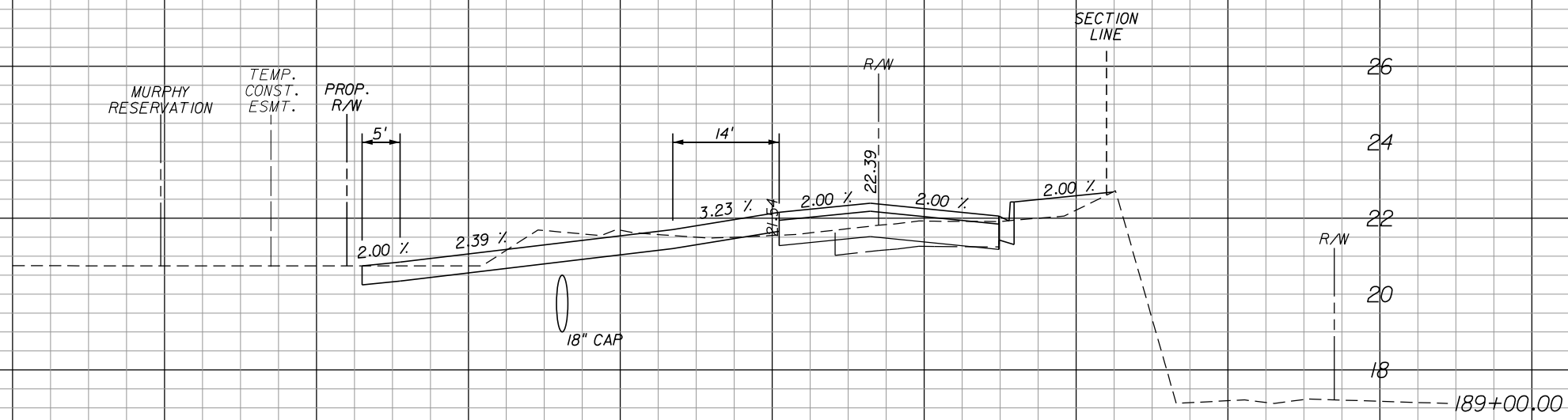
Regular Exc. Embankment Subsoil Exc.

A V A V A V

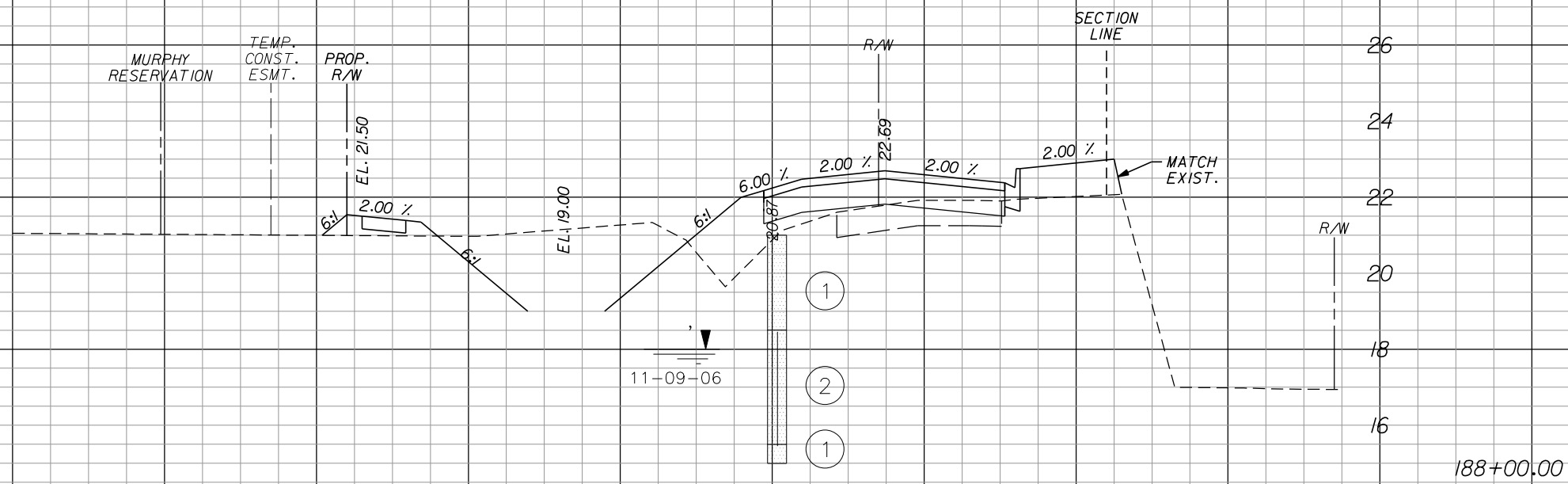
1505

IRCO Proj. No.

THE OFFICIAL RECORDS OF THIS SHEET IS THE ELECTRONIC FILE DIGITALLY SIGNED AND SEALED UNDER RULE 61G15-23.004, F.A.C.



34.92	158.59	5.11	63.72	0.00	0.00
-------	--------	------	-------	------	------



50.72	215.83	29.30	92.61	0.00	0.00
-------	--------	-------	-------	------	------

SCALE HOR: 1"=20'
VER: 1"=4'

120 100 80 60 40 20 0 20 40 60 80 100

REVISIONS					
DATE	BY	DESCRIPTION	DATE	BY	DESCRIPTION

Kimley»Horn
 BRIAN A. GOOD, P.E.
 P.E. LICENSE NUMBER 56939
 445 24th STREET, SUITE 200
 VERO BEACH, FL 32960
 (772) 794-4100
 CERTIFICATE OF AUTHORIZATION# 00000696

**INDIAN RIVER COUNTY
 BOARD OF COUNTY COMMISSIONERS**
**66th AVENUE ROADWAY WIDENING -
 PHASE IB 49th STREET TO 69th STREET**

**69th STREET
 CROSS SECTIONS**

SHEET NO.
181

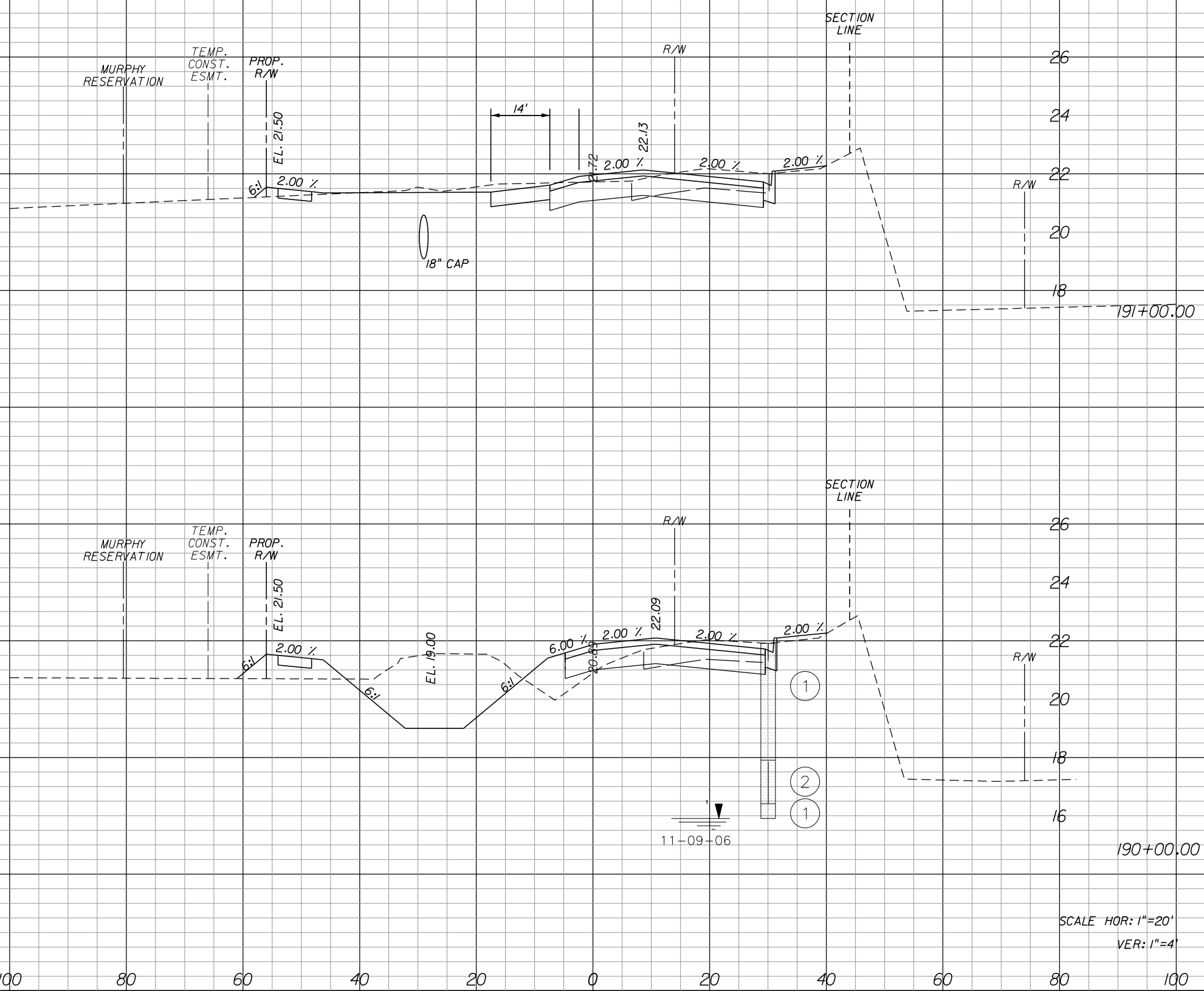
Regular Exc. Embankment Subsoil Exc.

A V A V A V

1505

IRCO Proj. No.

THE OFFICIAL RECORDS OF THIS SHEET IS THE ELECTRONIC FILE DIGITALLY SIGNED AND SEALED UNDER RULE 61G15-23.004, F.A.C.



37.98	201.02	2.20	42.26	0.00	0.00
70.57	195.35	20.62	47.65	0.00	0.00

SCALE HOR: 1"=20'
VER: 1"=4'

REVISIONS					
DATE	BY	DESCRIPTION	DATE	BY	DESCRIPTION

Kimley»Horn
BRIAN A. GOOD, P.E.
P.E. LICENSE NUMBER 56939
445 24th STREET, SUITE 200
VERO BEACH, FL 32960
(772) 794-4100
CERTIFICATE OF AUTHORIZATION# 00000696

**INDIAN RIVER COUNTY
BOARD OF COUNTY COMMISSIONERS**
**66th AVENUE ROADWAY WIDENING -
PHASE IB 49th STREET TO 69th STREET**

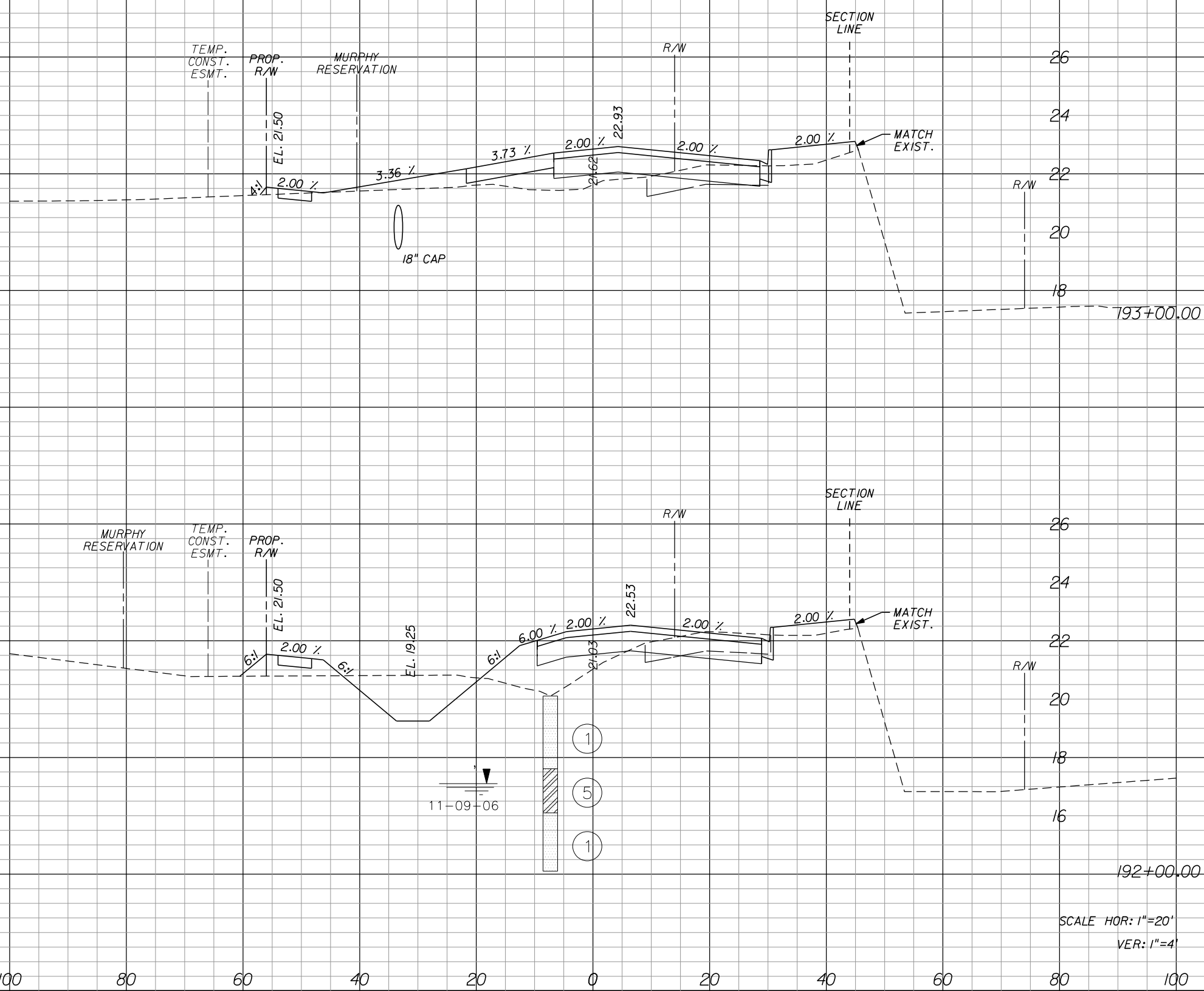
**69th STREET
CROSS SECTIONS**

SHEET NO.
182

Regular Exc. Embankment Subsoil Exc.

A V A V A V

10.47	92.65	26.43	111.80	0.00	0.00
39.56	143.59	33.94	66.93	0.00	0.00



120 100 80 60 40 20 0 20 40 60 80 100

REVISIONS					
DATE	BY	DESCRIPTION	DATE	BY	DESCRIPTION

Kimley»Horn
 BRIAN A. GOOD, P.E.
 P.E. LICENSE NUMBER 56939
 445 24th STREET, SUITE 200
 VERO BEACH, FL 32960
 (772) 794-4100
 CERTIFICATE OF AUTHORIZATION# 00000696

INDIAN RIVER COUNTY
BOARD OF COUNTY COMMISSIONERS
66th AVENUE ROADWAY WIDENING -
PHASE IB 49th STREET TO 69th STREET

69th STREET
CROSS SECTIONS

SHEET NO.
 183

THE OFFICIAL RECORDS OF THIS SHEET IS THE ELECTRONIC FILE DIGITALLY SIGNED AND SEALED UNDER RULE 61G15-23.004, F.A.C. I.R.CO. Proj. No. 1505

Regular Exc. Embankment Subsoil Exc.

A V A V A V

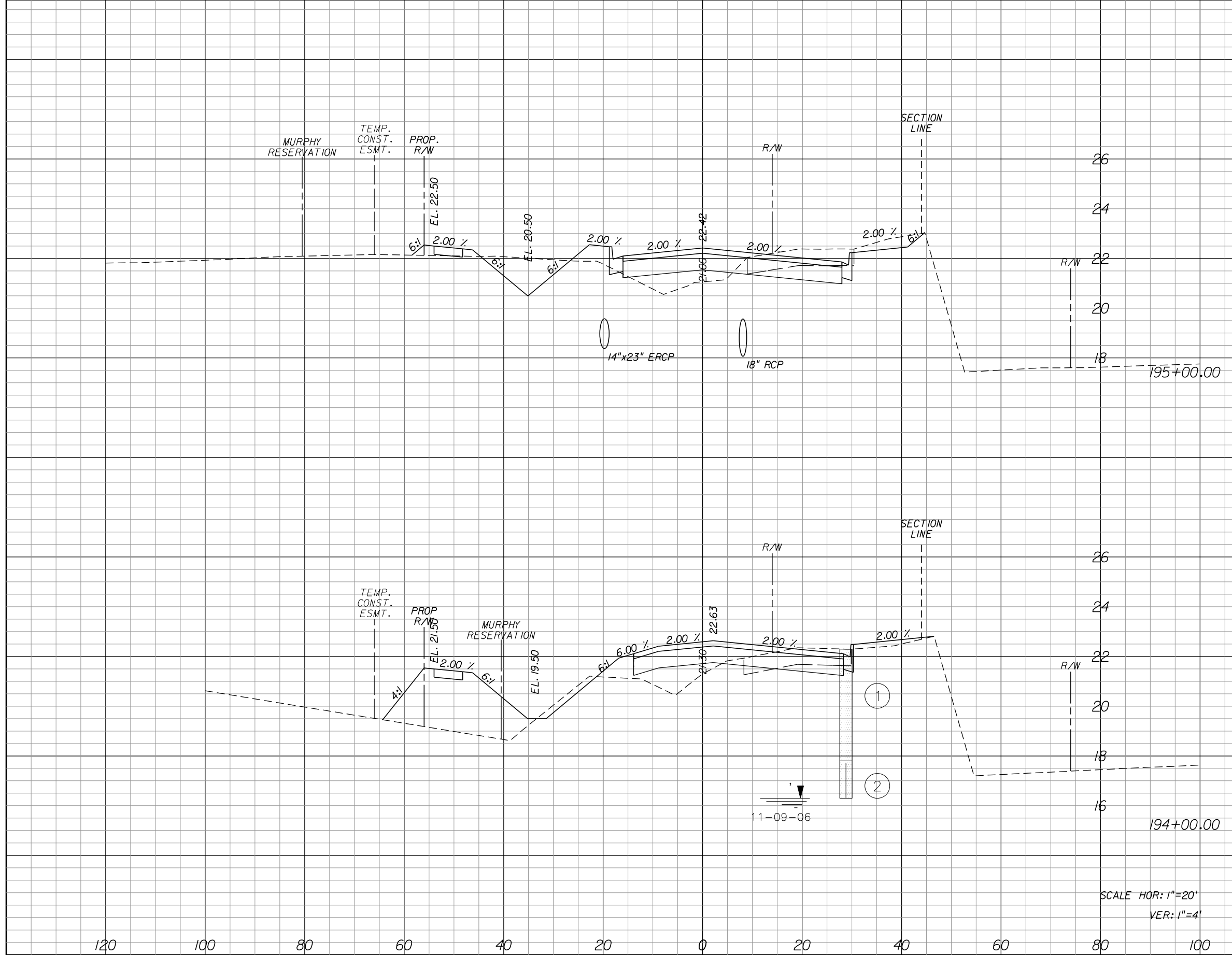
43.23 116.63 16.15 158.76 0.00 0.00

19.75 55.96 69.58 177.80 0.00 0.00

1505

IRCO Proj. No.

THE OFFICIAL RECORDS OF THIS SHEET IS THE ELECTRONIC FILE DIGITALLY SIGNED AND SEALED UNDER RULE 61G15-23.004, F.A.C.



SCALE HOR: 1"=20'
VER: 1"=4'

REVISIONS					
DATE	BY	DESCRIPTION	DATE	BY	DESCRIPTION

Kimley»Horn
BRIAN A. GOOD, P.E.
P.E. LICENSE NUMBER 56939
445 24th STREET, SUITE 200
VERO BEACH, FL 32960
(772) 794-4100
CERTIFICATE OF AUTHORIZATION# 00000696

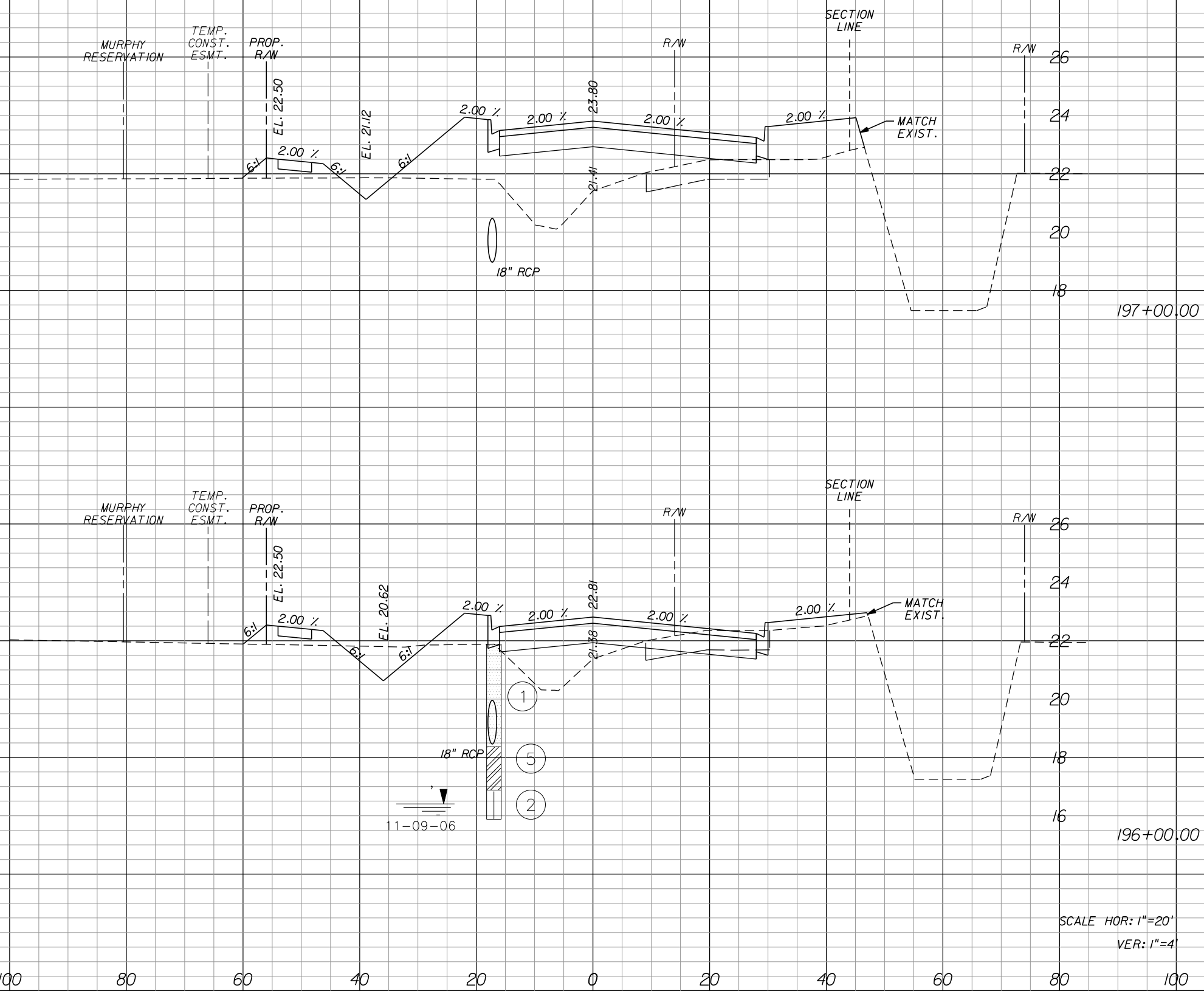
**INDIAN RIVER COUNTY
BOARD OF COUNTY COMMISSIONERS**
**66th AVENUE ROADWAY WIDENING -
PHASE IB 49th STREET TO 69th STREET**

**69th STREET
CROSS SECTIONS**

SHEET NO.
184

Regular Exc. Embankment Subsoil Exc.

A V A V A V



3.60	50.28	94.70	240.50	0.00	0.00
------	-------	-------	--------	------	------

23.55	123.67	35.17	95.04	0.00	0.00
-------	--------	-------	-------	------	------

REVISIONS					
DATE	BY	DESCRIPTION	DATE	BY	DESCRIPTION

Kimley»Horn
 BRIAN A. GOOD, P.E.
 P.E. LICENSE NUMBER 56939
 445 24th STREET, SUITE 200
 VERO BEACH, FL 32960
 (772) 794-4100
 CERTIFICATE OF AUTHORIZATION# 00000696

**INDIAN RIVER COUNTY
 BOARD OF COUNTY COMMISSIONERS**
**66th AVENUE ROADWAY WIDENING -
 PHASE IB 49th STREET TO 69th STREET**

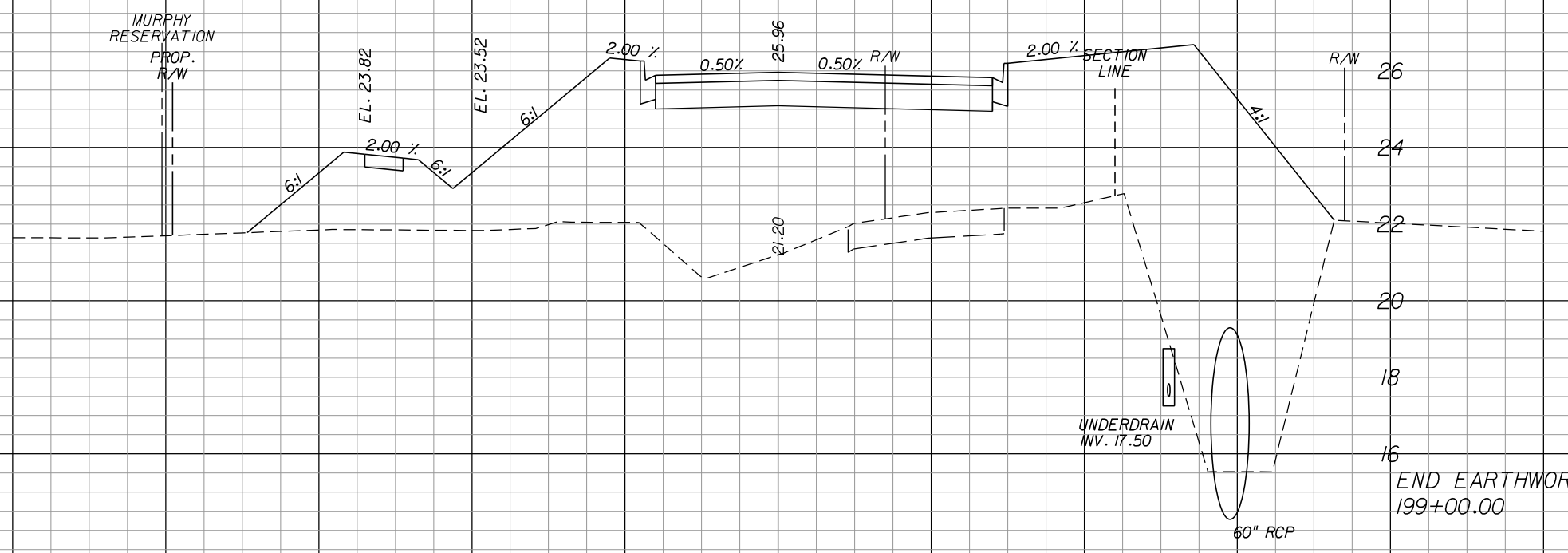
**69th STREET
 CROSS SECTIONS**

SHEET NO.
 185

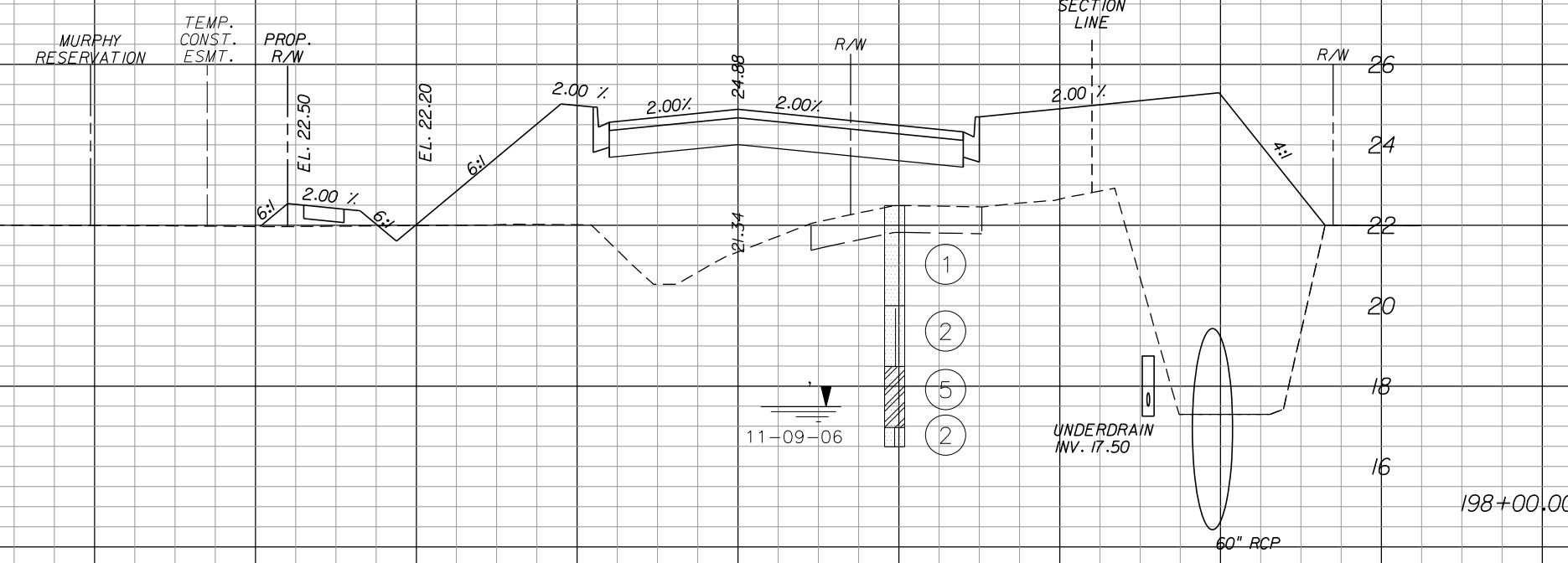
THE OFFICIAL RECORDS OF THIS SHEET IS THE ELECTRONIC FILE DIGITALLY SIGNED AND SEALED UNDER RULE 61G15-23.004, F.A.C. I.R.CO. Proj. No. 1505

Regular Exc. Embankment Subsoil Exc.

A V A V A V



0.00	1.63	525.38	1552.41	0.00	0.00
------	------	--------	---------	------	------



0.88	8.30	312.92	754.85	0.00	0.00
------	------	--------	--------	------	------

SCALE HOR: 1"=20'
VER: 1"=4'

120 100 80 60 40 20 0 20 40 60 80 100

REVISIONS					
DATE	BY	DESCRIPTION	DATE	BY	DESCRIPTION

Kimley»Horn
 BRIAN A. GOOD, P.E.
 P.E. LICENSE NUMBER 56939
 445 24th STREET, SUITE 200
 VERO BEACH, FL 32960
 (772) 794-4100
 CERTIFICATE OF AUTHORIZATION# 00000696

**INDIAN RIVER COUNTY
 BOARD OF COUNTY COMMISSIONERS**
**66th AVENUE ROADWAY WIDENING -
 PHASE IB 49th STREET TO 69th STREET**

**69th STREET
 CROSS SECTIONS**

SHEET NO.
186

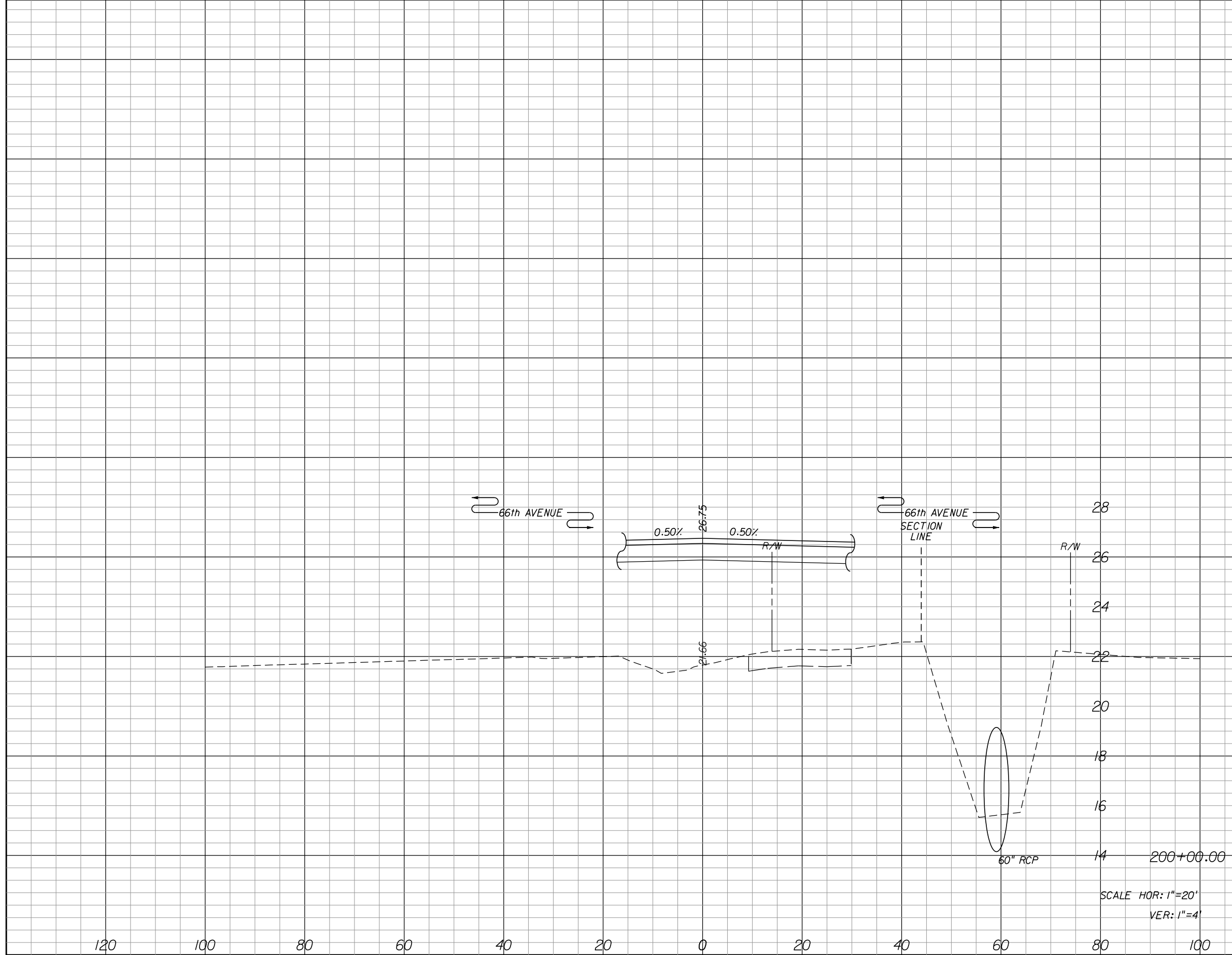
THE OFFICIAL RECORDS OF THIS SHEET IS THE ELECTRONIC FILE DIGITALLY SIGNED AND SEALED UNDER RULE 61G15-23.004, F.A.C. I.R.CO. Proj. No. 1505

Regular Exc.		Embankment		Subsoil Exc.	
A	V	A	V	A	V

1505

IRCO Proj. No.

THE OFFICIAL RECORDS OF THIS SHEET IS THE ELECTRONIC FILE DIGITALLY SIGNED AND SEALED UNDER RULE 61G15-23.004, F.A.C.



120 100 80 60 40 20 0 20 40 60 80 100

SCALE HOR: 1"=20'
VER: 1"=4'

REVISIONS					
DATE	BY	DESCRIPTION	DATE	BY	DESCRIPTION

Kimley»Horn
 BRIAN A. GOOD, P.E.
 P.E. LICENSE NUMBER 56939
 445 24th STREET, SUITE 200
 VERO BEACH, FL 32960
 (772) 794-4100
 CERTIFICATE OF AUTHORIZATION# 00000696

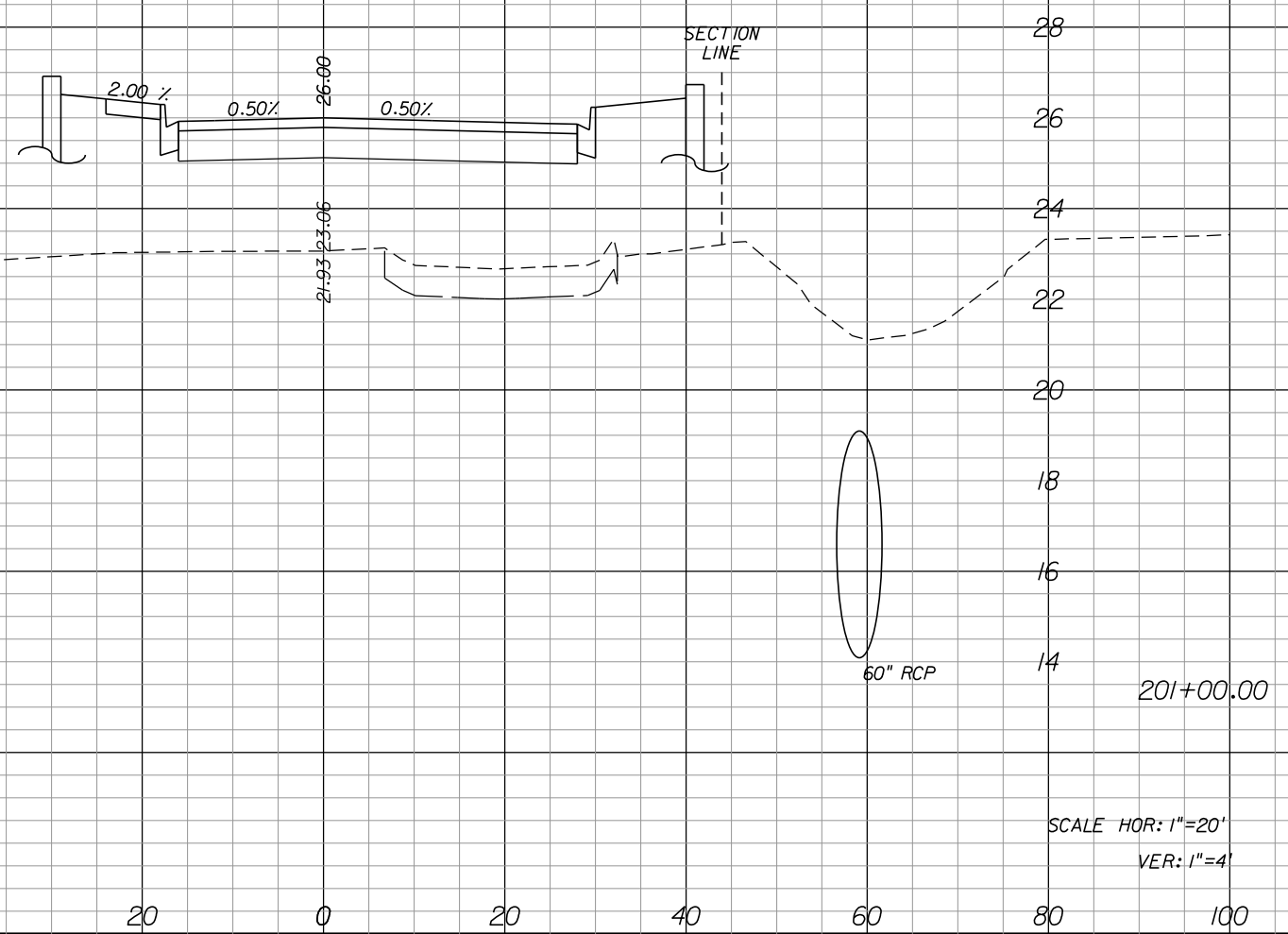
**INDIAN RIVER COUNTY
 BOARD OF COUNTY COMMISSIONERS**
**66th AVENUE ROADWAY WIDENING -
 PHASE IB 49th STREET TO 69th STREET**

**69th STREET
 CROSS SECTIONS**

SHEET NO.
187

Regular Exc.		Embankment		Subsoil Exc.	
A	V	A	V	A	V
0.00	0.00	326.53	1209.37	0.00	0.00

BEGIN EARTHWORK
201+20.00



120 100 80 60 40 20 0 20 40 60 80 100

REVISIONS					
DATE	BY	DESCRIPTION	DATE	BY	DESCRIPTION

Kimley»Horn
 BRIAN A. GOOD, P.E.
 P.E. LICENSE NUMBER 56939
 445 24th STREET, SUITE 200
 VERO BEACH, FL 32960
 (772) 794-4100
 CERTIFICATE OF AUTHORIZATION# 00000696

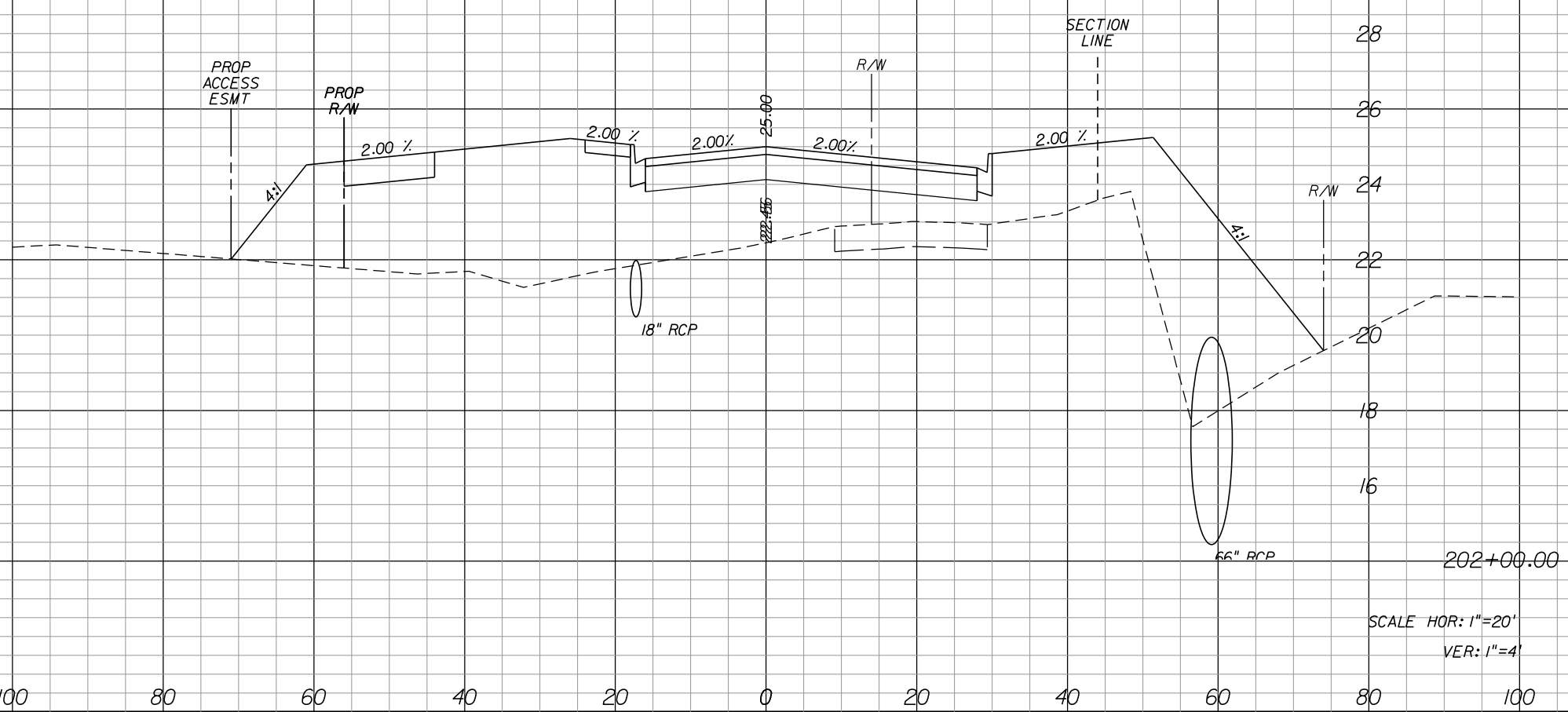
**INDIAN RIVER COUNTY
 BOARD OF COUNTY COMMISSIONERS**
**66th AVENUE ROADWAY WIDENING -
 PHASE IB 49th STREET TO 69th STREET**

**69th STREET
 CROSS SECTIONS**

SHEET NO.
188

THE OFFICIAL RECORDS OF THIS SHEET IS THE ELECTRONIC FILE DIGITALLY SIGNED AND SEALED UNDER RULE 61G15-23.004, F.A.C. I.R.CO. Proj. No. 1505

Regular Exc.		Embankment		Subsoil Exc.	
A	V	A	V	A	V
0.00	0.00	326.53	1209.37	0.00	0.00



REVISIONS					
DATE	BY	DESCRIPTION	DATE	BY	DESCRIPTION

Kimley»Horn
 BRIAN A. GOOD, P.E.
 P.E. LICENSE NUMBER 56939
 445 24th STREET, SUITE 200
 VERO BEACH, FL 32960
 (772) 794-4100
 CERTIFICATE OF AUTHORIZATION# 00000696

**INDIAN RIVER COUNTY
 BOARD OF COUNTY COMMISSIONERS**
**66th AVENUE ROADWAY WIDENING -
 PHASE IB 49th STREET TO 69th STREET**

**69th STREET
 CROSS SECTIONS**

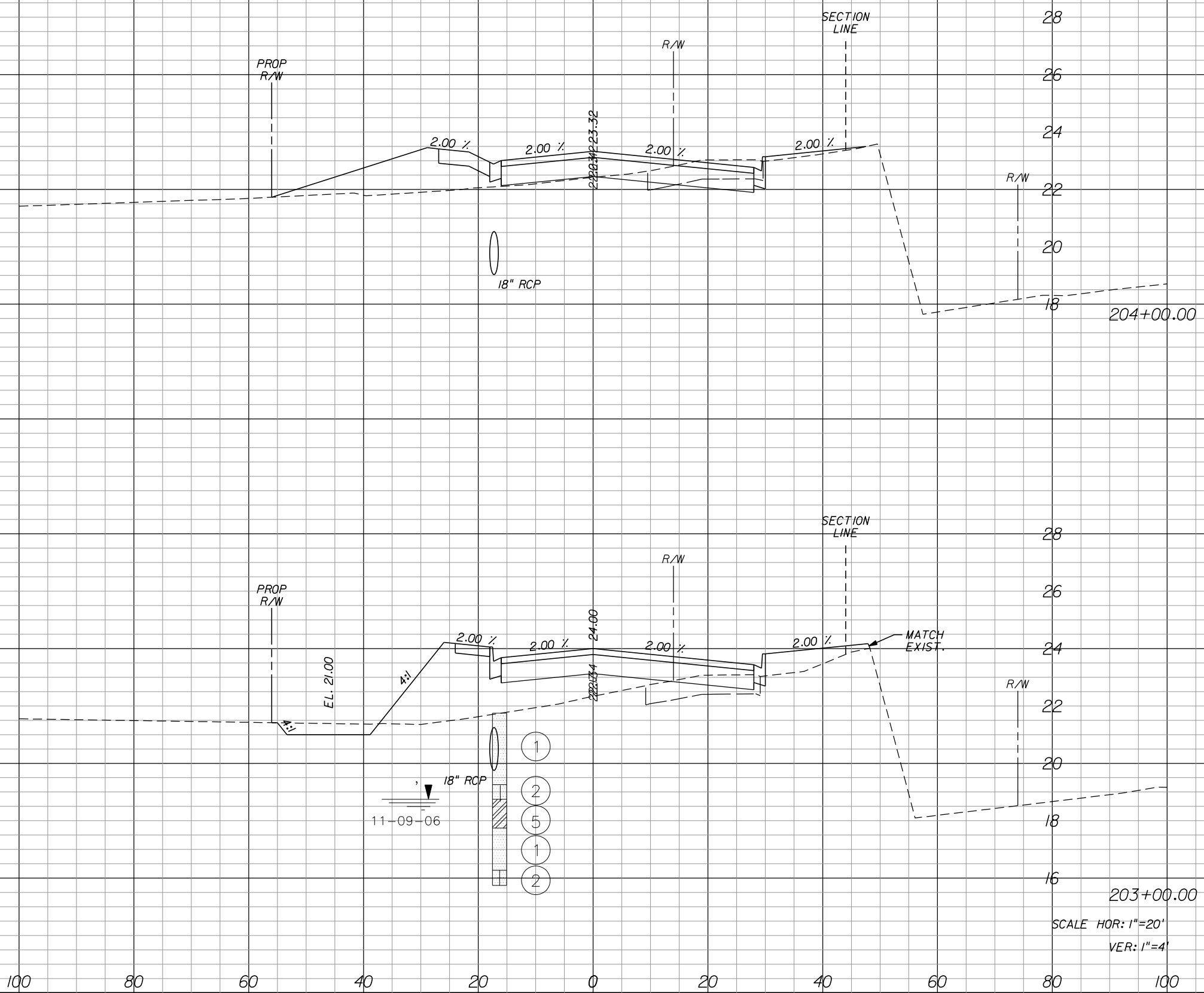
SHEET NO. 189

THE OFFICIAL RECORDS OF THIS SHEET IS THE ELECTRONIC FILE DIGITALLY SIGNED AND SEALED UNDER RULE 61G15-23.004, F.A.C.

IRCO Proj. No. 1505

Regular Exc. Embankment Subsoil Exc.

A V A V A V



19.06	56.69	33.54	186.52	0.00	0.00
11.55	21.39	67.18	729.09	0.00	0.00

SCALE HOR: 1"=20'
VER: 1"=4'

REVISIONS					
DATE	BY	DESCRIPTION	DATE	BY	DESCRIPTION

Kimley»Horn
 BRIAN A. GOOD, P.E.
 P.E. LICENSE NUMBER 56939
 445 24th STREET, SUITE 200
 VERO BEACH, FL 32960
 (772) 794-4100
 CERTIFICATE OF AUTHORIZATION# 00000696

**INDIAN RIVER COUNTY
 BOARD OF COUNTY COMMISSIONERS**
**66th AVENUE ROADWAY WIDENING -
 PHASE IB 49th STREET TO 69th STREET**

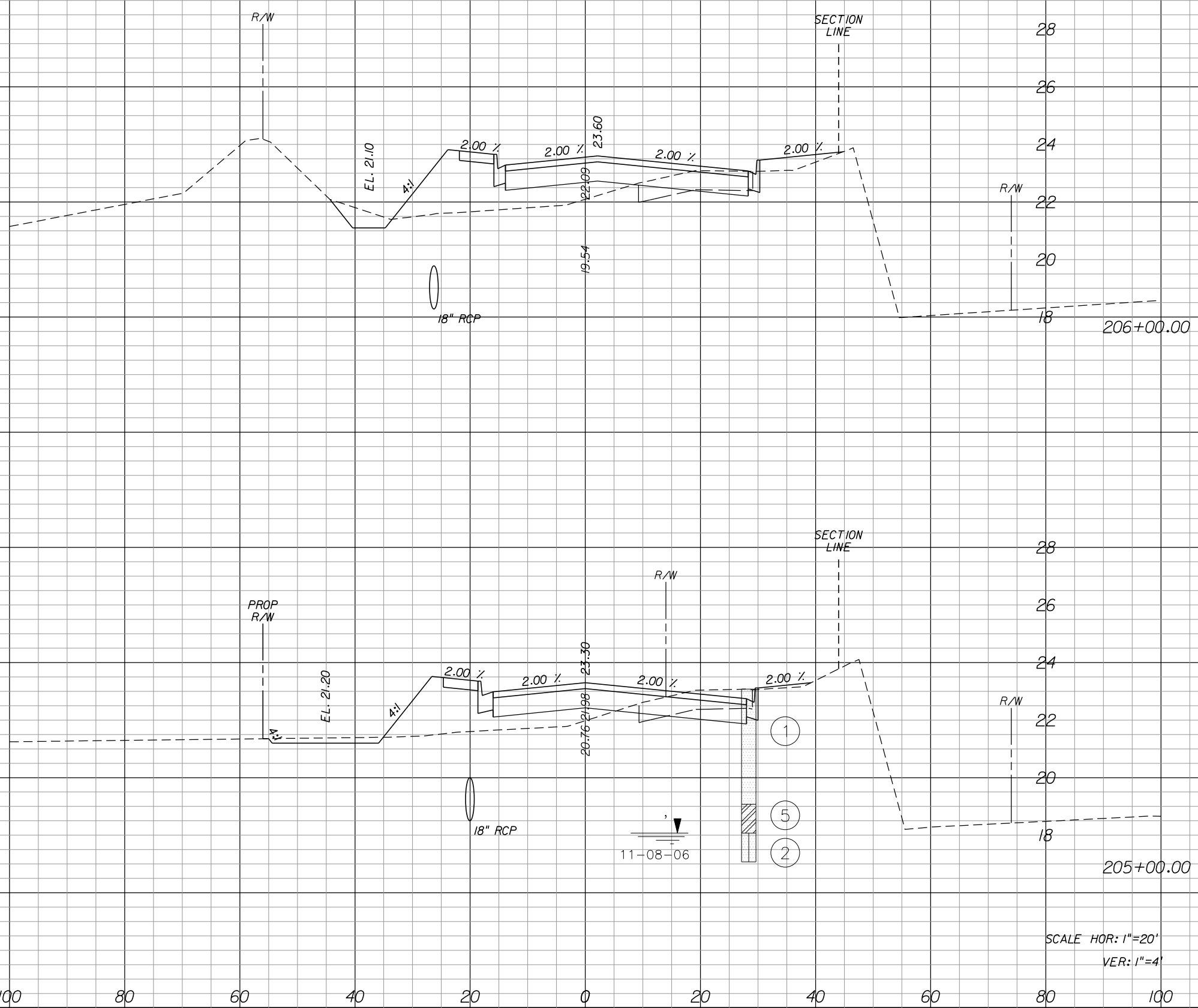
**69th STREET
 CROSS SECTIONS**

SHEET NO.
190

THE OFFICIAL RECORDS OF THIS SHEET IS THE ELECTRONIC FILE DIGITALLY SIGNED AND SEALED UNDER RULE 61G15-23.004, F.A.C. I.R.CO. Proj. No. 1505

Regular Exc. Embankment Subsoil Exc.

A V A V A V



17.10	73.22	43.66	143.22	0.00	0.00
22.44	76.85	33.68	124.48	0.00	0.00

120 100 80 60 40 20 0 20 40 60 80 100

REVISIONS					
DATE	BY	DESCRIPTION	DATE	BY	DESCRIPTION

Kimley»Horn
 BRIAN A. GOOD, P.E.
 P.E. LICENSE NUMBER 56939
 445 24th STREET, SUITE 200
 VERO BEACH, FL 32960
 (772) 794-4100
 CERTIFICATE OF AUTHORIZATION# 00000696

**INDIAN RIVER COUNTY
 BOARD OF COUNTY COMMISSIONERS**
**66th AVENUE ROADWAY WIDENING -
 PHASE IB 49th STREET TO 69th STREET**

**69th STREET
 CROSS SECTIONS**

SHEET NO.
 191

THE OFFICIAL RECORDS OF THIS SHEET IS THE ELECTRONIC FILE DIGITALLY SIGNED AND SEALED UNDER RULE 61G15-23.004, F.A.C. I.R.CO. Proj. No. 1505

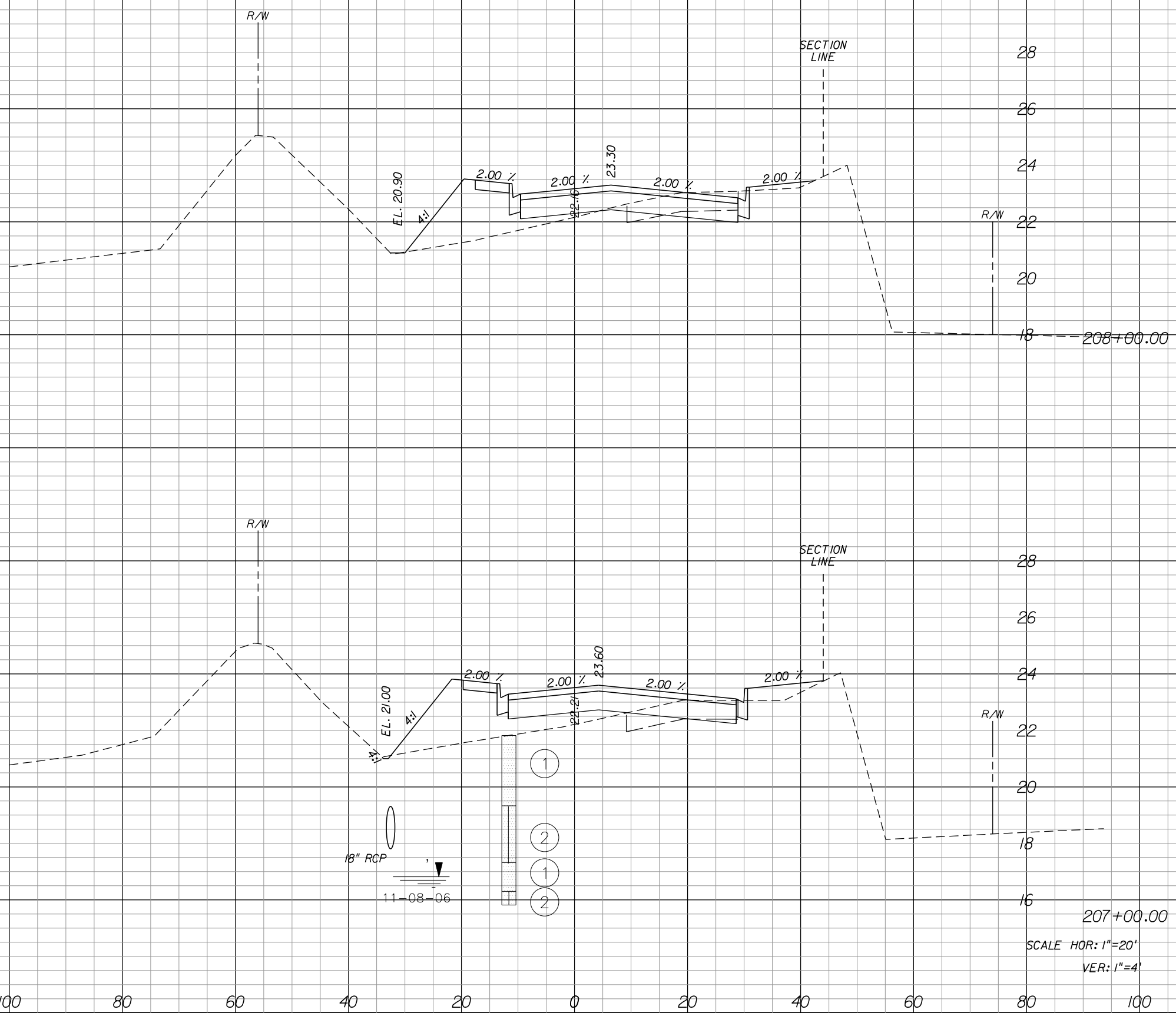
Regular Exc. Embankment Subsoil Exc.

A V A V A V

1505

IRCO Proj. No.

THE OFFICIAL RECORDS OF THIS SHEET IS THE ELECTRONIC FILE DIGITALLY SIGNED AND SEALED UNDER RULE 61G15-23.004, F.A.C.



17.58 53.69 31.34 137.30 0.00 0.00

11.41 52.80 42.80 160.11 0.00 0.00

SCALE HOR: 1"=20'
VER: 1"=4'

REVISIONS					
DATE	BY	DESCRIPTION	DATE	BY	DESCRIPTION

Kimley»Horn
 BRIAN A. GOOD, P.E.
 P.E. LICENSE NUMBER 56939
 445 24th STREET, SUITE 200
 VERO BEACH, FL 32960
 (772) 794-4100
 CERTIFICATE OF AUTHORIZATION# 00000696

**INDIAN RIVER COUNTY
 BOARD OF COUNTY COMMISSIONERS**
**66th AVENUE ROADWAY WIDENING -
 PHASE IB 49th STREET TO 69th STREET**

**69th STREET
 CROSS SECTIONS**

SHEET NO.
192

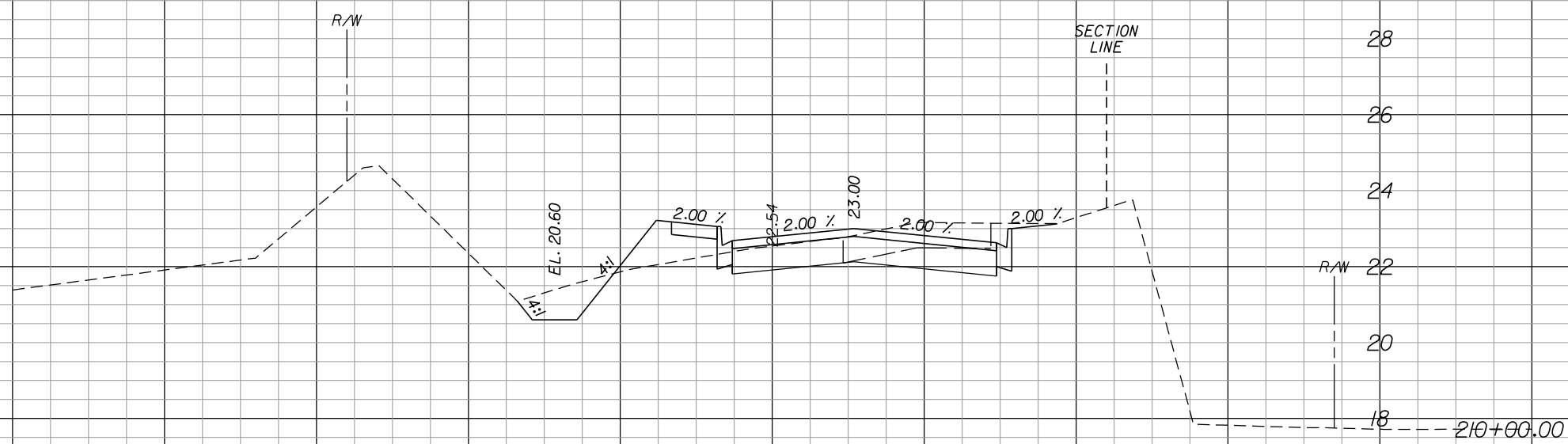
Regular Exc. Embankment Subsoil Exc.

A V A V A V

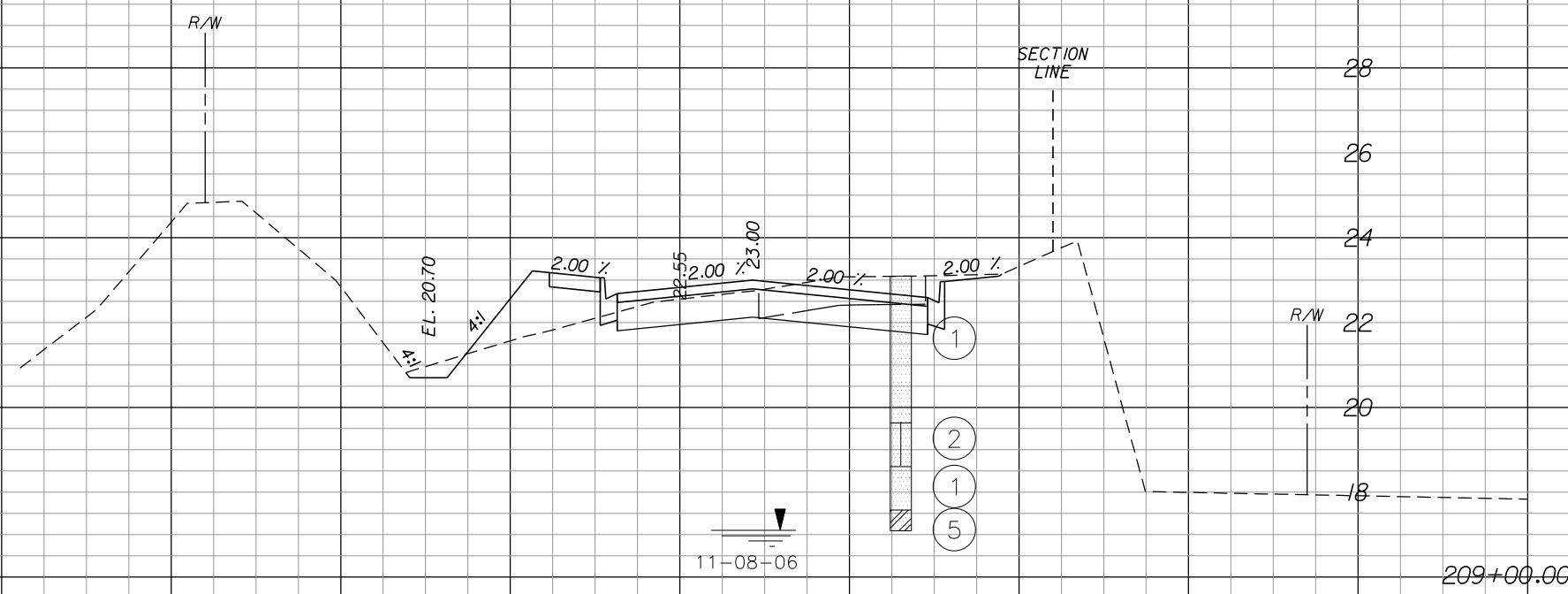
1505

IRCO Proj. No.

THE OFFICIAL RECORDS OF THIS SHEET IS THE ELECTRONIC FILE DIGITALLY SIGNED AND SEALED UNDER RULE 61G15-23.004, F.A.C.



42.78	147.11	8.83	41.57	0.00	0.00
-------	--------	------	-------	------	------



36.66	100.44	13.62	83.26	0.00	0.00
-------	--------	-------	-------	------	------

SCALE HOR: 1"=20'
VER: 1"=4'

120 100 80 60 40 20 0 20 40 60 80 100

REVISIONS					
DATE	BY	DESCRIPTION	DATE	BY	DESCRIPTION

Kimley»Horn
 BRIAN A. GOOD, P.E.
 P.E. LICENSE NUMBER 56939
 445 24th STREET, SUITE 200
 VERO BEACH, FL 32960
 (772) 794-4100
 CERTIFICATE OF AUTHORIZATION# 00000696

**INDIAN RIVER COUNTY
 BOARD OF COUNTY COMMISSIONERS**
**66th AVENUE ROADWAY WIDENING -
 PHASE IB 49th STREET TO 69th STREET**

**69th STREET
 CROSS SECTIONS**

SHEET NO.
193

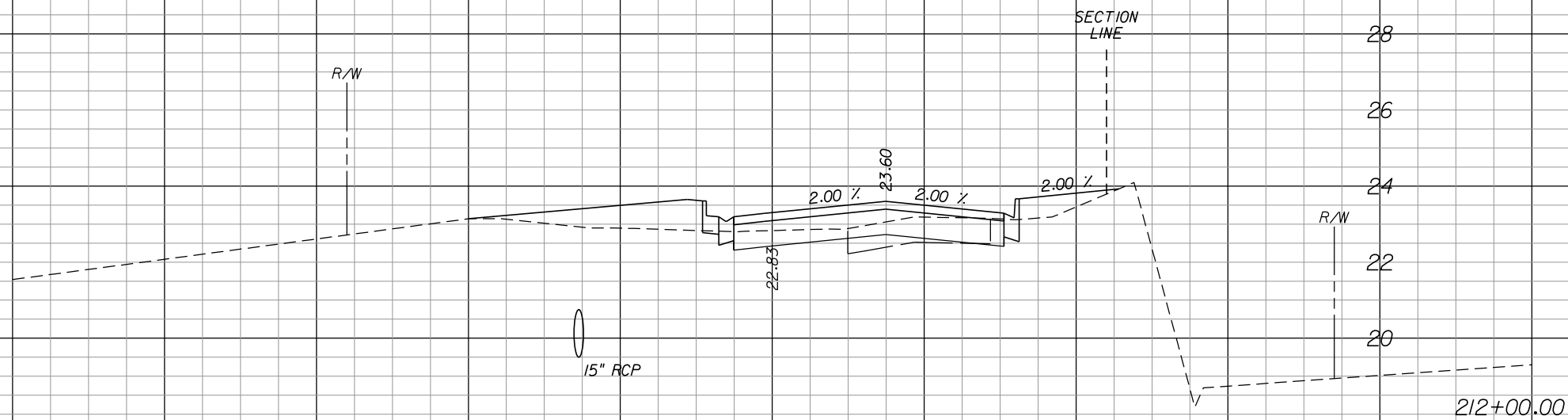
Regular Exc. Embankment Subsoil Exc.

A V A V A V

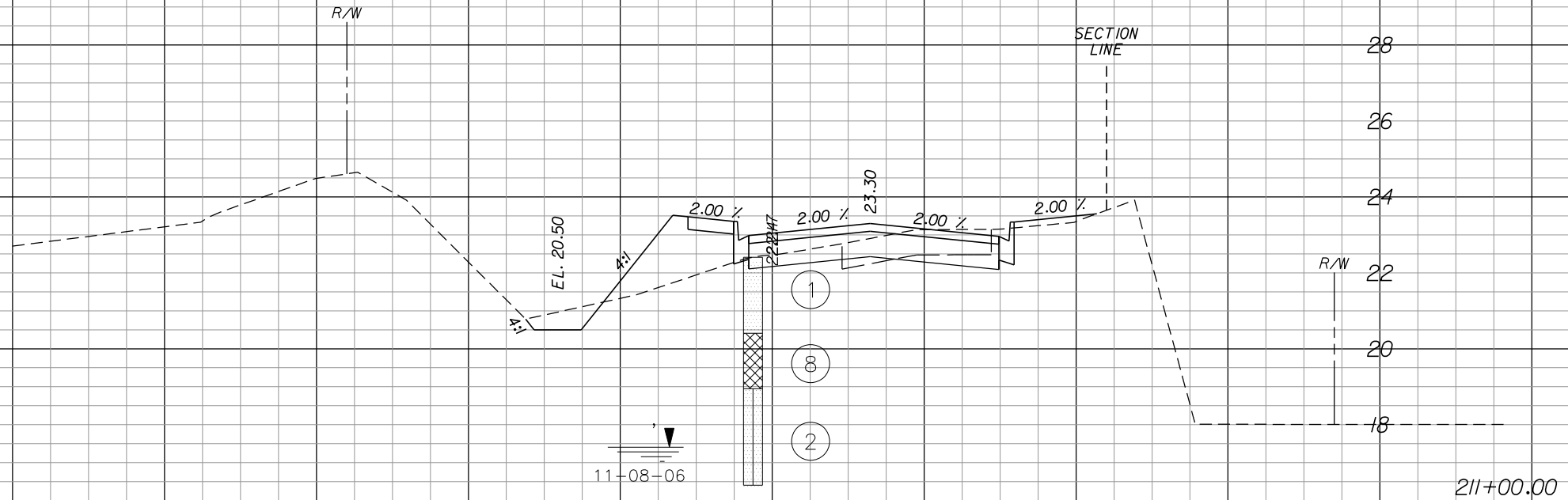
1505

IRCO Proj. No.

THE OFFICIAL RECORDS OF THIS SHEET IS THE ELECTRONIC FILE DIGITALLY SIGNED AND SEALED UNDER RULE 61G15-23.004, F.A.C.



17.88	81.09	18.58	70.13	0.00	0.00
-------	-------	-------	-------	------	------



25.91	127.20	19.29	52.07	0.00	0.00
-------	--------	-------	-------	------	------

SCALE HOR: 1"=20'
VER: 1"=4'

120 100 80 60 40 20 0 20 40 60 80 100

REVISIONS					
DATE	BY	DESCRIPTION	DATE	BY	DESCRIPTION

Kimley»Horn
 BRIAN A. GOOD, P.E.
 P.E. LICENSE NUMBER 56939
 445 24th STREET, SUITE 200
 VERO BEACH, FL 32960
 (772) 794-4100
 CERTIFICATE OF AUTHORIZATION# 00000696

**INDIAN RIVER COUNTY
 BOARD OF COUNTY COMMISSIONERS**
**66th AVENUE ROADWAY WIDENING -
 PHASE IB 49th STREET TO 69th STREET**

**69th STREET
 CROSS SECTIONS**

SHEET NO.
194

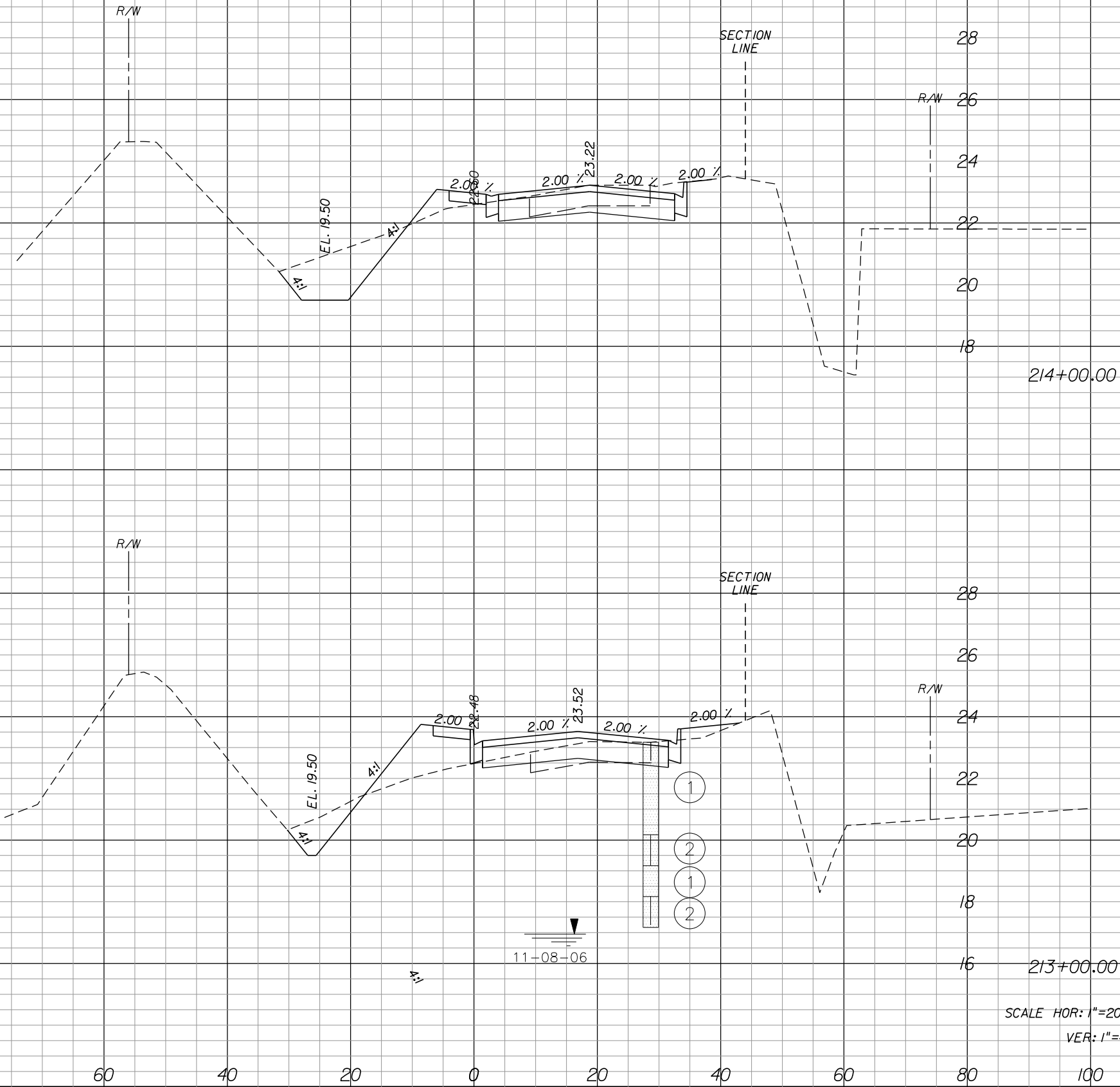
Regular Exc. Embankment Subsoil Exc.

A V A V A V

1505

IRCO Proj. No.

THE OFFICIAL RECORDS OF THIS SHEET IS THE ELECTRONIC FILE DIGITALLY SIGNED AND SEALED UNDER RULE 61G15-23.004, F.A.C.



49.43 137.24 3.65 41.94 0.00 0.00

24.68 78.81 19.00 69.59 0.00 0.00

SCALE HOR: 1"=20'
VER: 1"=4'

11-08-06

REVISIONS					
DATE	BY	DESCRIPTION	DATE	BY	DESCRIPTION

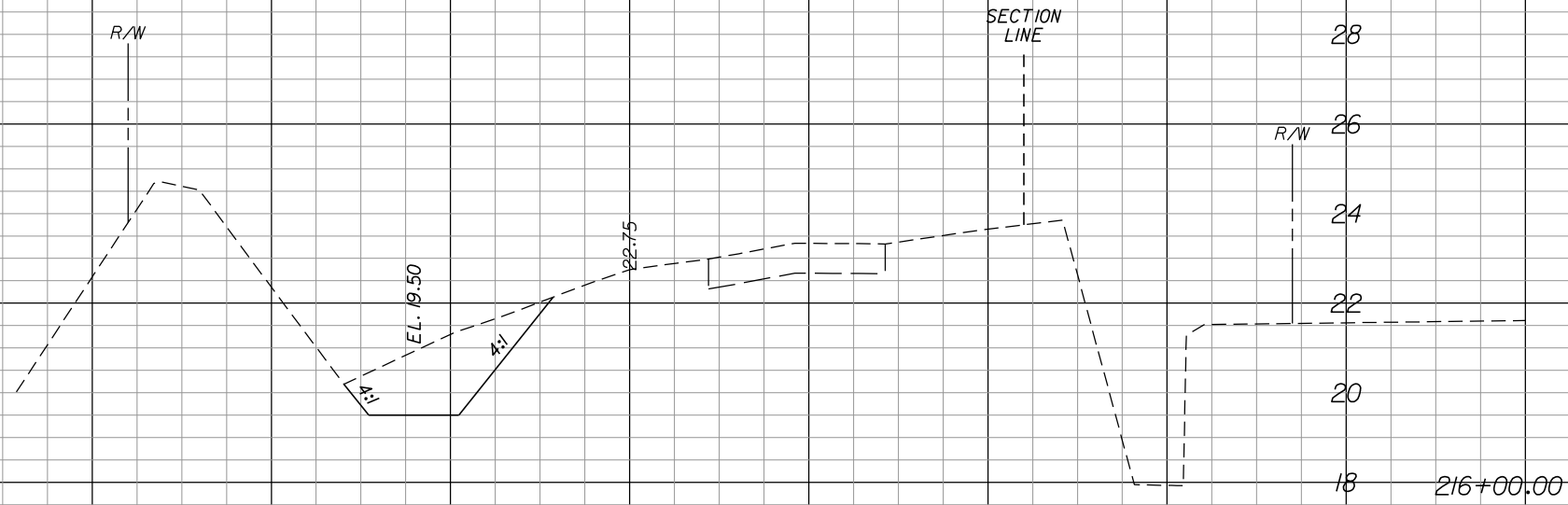
Kimley»Horn
 BRIAN A. GOOD, P.E.
 P.E. LICENSE NUMBER 56939
 445 24th STREET, SUITE 200
 VERO BEACH, FL 32960
 (772) 794-4100
 CERTIFICATE OF AUTHORIZATION# 00000696

**INDIAN RIVER COUNTY
 BOARD OF COUNTY COMMISSIONERS**
**66th AVENUE ROADWAY WIDENING -
 PHASE IB 49th STREET TO 69th STREET**

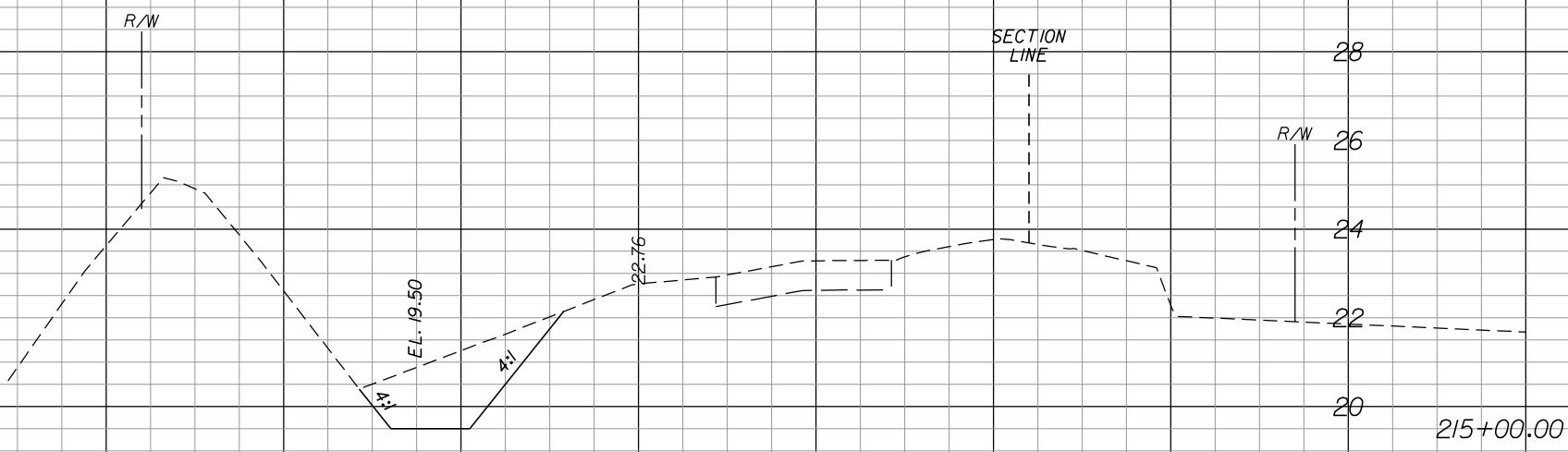
**69th STREET
 CROSS SECTIONS**

SHEET NO.
195

Regular Exc.		Embankment		Subsoil Exc.	
A	V	A	V	A	V



25.40	93.50	0.00	0.00	0.00	0.00
-------	-------	------	------	------	------



25.09	138.00	0.00	6.76	0.00	0.00
-------	--------	------	------	------	------

SCALE HOR: 1"=20'
VER: 1"=4'

120 100 80 60 40 20 0 20 40 60 80 100

REVISIONS					
DATE	BY	DESCRIPTION	DATE	BY	DESCRIPTION

Kimley»Horn
 BRIAN A. GOOD, P.E.
 P.E. LICENSE NUMBER 56939
 445 24th STREET, SUITE 200
 VERO BEACH, FL 32960
 (772) 794-4100
 CERTIFICATE OF AUTHORIZATION# 00000696

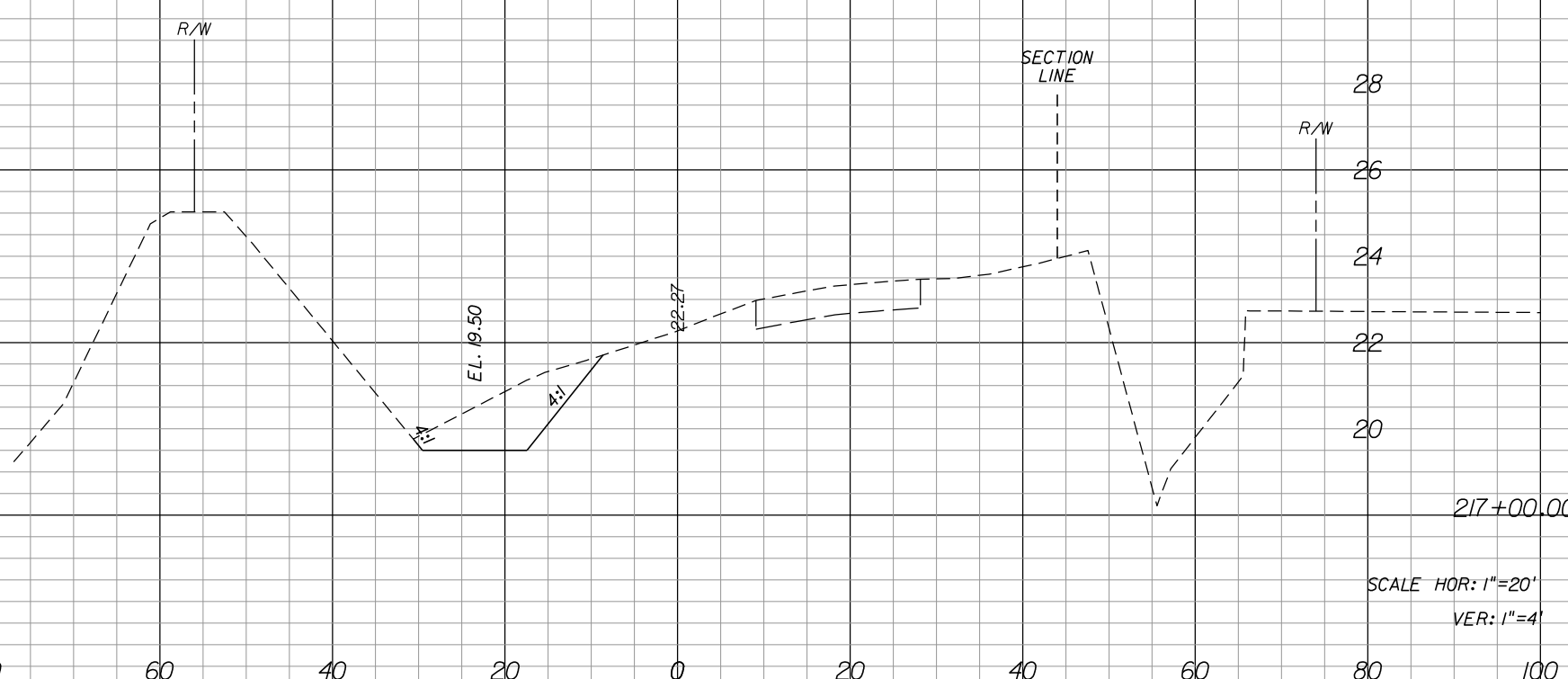
**INDIAN RIVER COUNTY
 BOARD OF COUNTY COMMISSIONERS**
**66th AVENUE ROADWAY WIDENING -
 PHASE IB 49th STREET TO 69th STREET**

**69th STREET
 CROSS SECTIONS**

SHEET NO.
196

THE OFFICIAL RECORDS OF THIS SHEET IS THE ELECTRONIC FILE DIGITALLY SIGNED AND SEALED UNDER RULE 61G15-23.004, F.A.C. I.R.CO. Proj. No. 1505

69th STREET EARTHWORK SUMMARY
 REGULAR EXCAVATION = 3,667 CY
 EMBANKMENT = 6,933 CY
 SUBSOIL EXCAVATION = 352 CY



Regular Exc.		Embankment		Subsoil Exc.	
A	V	A	V	A	V
19.66	29.99	0.00	0.00	0.00	0.00
19.66	83.44	0.00	0.00	0.00	0.00

END EARTHWORK
 217+41.18

SCALE HOR: 1"=20'
 VER: 1"=4'

REVISIONS					
DATE	BY	DESCRIPTION	DATE	BY	DESCRIPTION

Kimley»Horn
 BRIAN A. GOOD, P.E.
 P.E. LICENSE NUMBER 56939
 445 24th STREET, SUITE 200
 VERO BEACH, FL 32960
 (772) 794-4100
 CERTIFICATE OF AUTHORIZATION# 00000696

**INDIAN RIVER COUNTY
 BOARD OF COUNTY COMMISSIONERS**
**66th AVENUE ROADWAY WIDENING -
 PHASE IB 49th STREET TO 69th STREET**

**69th STREET
 CROSS SECTIONS**

SHEET NO.
 197

1. Site Description:

- a. Construction Activity: Widening of 66th Avenue to a 4 lane divided urban section with paved shoulders, sidewalks, landscaping, and bridge reconstructions.
- b. Sequence of Major Soil Disturbing Activities: Soil disturbing activities will take place during much of the anticipated construction period of this project. The following soil disturbing activities are listed in the approximate order in which they are anticipated to occur.
 - 1. Install Stabilized Construction Entrances
 - 2. Clearing and Grubbing
 - 3. Stormwater Management Facility Construction
 - 4. Excavation of Soils
 - 5. Embankment Construction
 - 6. Stabilization and Temporary Sodding
 - 7. Roadway Grading and Construction
 - 8. Final Grading and Sodding

c. Total Project Area: 74.6 Ac
Total Area to be Disturbed: 74.6 Ac

d. Runoff Data:
The following is a list of the drainage basin, the area of the basin and the runoff coefficient before, during, and after construction.

Basin	Area (Ac.)	Before Construction	During Construction	After Construction
66B	10.64	0.44	0.55	0.66
66C	11.25	0.44	0.54	0.63
66D	9.77	0.45	0.55	0.64
6W	2.08	0.35	0.58	0.74
6IE	2.07	0.35	0.58	0.74
65W	2.18	0.35	0.68	0.56
65E	3.17	0.51	0.54	0.58
69W	2.63	0.58	0.68	0.73
69E	2.52	0.58	0.68	0.73

e. Site Map: See KEY SHEET

f. Receiving Waters: Indian River Lagoon

2. Controls

A). Erosion and Sediment Controls: The soil erosion and sediment controls shall be maintained by the contractor to minimize the amount of soil disturbed, prevent offsite runoff from discharging across disturbed areas, and remove on-site sediment prior to discharge of runoff from the site.

All items represented in the following discussion are treated in detail in the "Florida Department of Transportation Standard Specification for Road and Bridge Construction or will be implemented by the Engineer in a manner appropriate to environmentally sensitive construction practices. The contractor will generate site specific erosion control plan including an implementation schedule for each phase of construction operations or activities. The Contractor will also be required to modify the plan or materials to adapt to seasonal variations and supply contract time schedules for the implementation of each subunit.

(a) Stabilization Practices: During construction the contractor will provide temporary seeding for areas which have been cleared and not reworked within 14 calendar days. The entire cleared and unpaved portion of the project will be sodded or mulched and seeded upon completion. Bare soil areas will be kept to a minimum. Stabilization Practices will include:

- Permanent sodding
- Limiting steep slopes
- Minimizing the area of disturbed soils at any given time
- Preservation of natural vegetation
- Soil retaining measures
- Dust control

(b) Structural Practices will include:

- Staked Silt Fences (if)
- Synthetic Bales (if)
- Rock Bags (ea)
- Retention/Detention Ponds
- Storm Drain Inlet Protection

(c) Phasing of Controls

Phase I - Installation of Environmental Control Features

- a. Environmental control features as provided in Plans Quantities are to be installed throughout the clearing and grubbing limits of environmentally sensitive areas as shown in plans (prior to clearing and grubbing).
- b. The contractor will be required to prepare a site specific erosion control plan along with a specific construction schedule for implementation. The contractor will also be required to modify the plan or materials to adapt to seasonal variations.

Phase II - Clearing and Grubbing

Clearing and grubbing shall be done as indicated on the typical sections or as noted in the plans.

Phase III - Excavation of Muck Soils and Embankment and Surcharge Construction

Environmental controls including synthetic bales, silt fences, sedimentation basins and other controls, as appropriate, shall be in place prior to the initiation of embankment and surcharge area construction.


Phase IV - Drainage System or Environmental Control Features

- a. Environmental control features as provided in Plans Quantities are to be installed in all areas of excavation or fill for drainage system or structure construction prior to such excavation or fill. All streams or ditches are to be protected from erosion or siltation by the methods detailed in the Stormwater Pollution Prevention Plan (SWPPP). Inlet entrances are also to be protected from siltation as detailed in the SWPPP. These include staked synthetic bales, sediment basins, turbidity barriers, silt fence barriers and others, as appropriate.
- b. The Contractor will be responsible for monitoring any activities for violation of water quality standards as they relate to turbidity (29 NTU's above background). Testing will take place to substantiate the intent of the project permits throughout the duration of the project. If the water quality standard is violated, sediment and erosion control measures will be reevaluated and re-installed as directed by the Engineer.

Phase V - Permanent Environmental Controls

Temporary environmental controls will be removed after new roadways have been opened, and permanent erosion, sediment and storm water control are in place and functioning. Final clean up will take place and any temporary surface water diversions or control features will be connected to the permitted stormwater management system.

B). Stormwater Management: Stormwater management will be via the permitted stormwater management system.

REVISIONS					 BRIAN A. GOOD, P.E. P.E. LICENSE NUMBER 56939 445 24th STREET, SUITE 200 VERO BEACH, FL 32960 (772) 794-4100 CERTIFICATE OF AUTHORIZATION# 00000696	INDIAN RIVER COUNTY BOARD OF COUNTY COMMISSIONERS 66th AVENUE ROADWAY WIDENING - PHASE IB 49th STREET TO 69th STREET	EROSION CONTROL GENERAL NOTES	SHEET NO.
DESCRIPTION	DATE	BY	DESCRIPTION	198				

C). Other Controls

- a) Waste Disposal: The contractor will provide litter control and collection within the project boundaries during construction activities. All fertilizer, hydrocarbon, or other chemical containers shall be disposed of by the contractor according to EPA's standard
- b) Off-Site Vehicle Tracking: Will be controlled by the following methods:
 - Haul Roads Dampened For Dust Control
 - Loaded Haul Trucks To Be Covered with Tarpaulin
 - Excess Dirt on Roads To Be Removed Daily
 - Soil Tracking Prevention Device Type A (Index 106)
- c) Sanitary Waste: Any field offices will have portable toilet facilities or the contractor will obtain permits for sewage treatment in accordance with 10D-6 F.A.C. "Standards for On-Site Sewage Disposal Systems".
- d) Fertilizers and Pesticides: Fertilizers will be used on this project in accordance with "FDOT Standard Specifications for Road and Bridge Construction" Section 982. To avoid nutrient loading to surface waters, fertilizers used on this project will not be applied within fifty (50) feet of any surface waters within the project limits.

D). Permits

The following permits have been obtain for the project:

SJRWMD Environmental Resource Permit

The contractor is responsible for obtaining the following permits.

- FDEP - NPDES Permit
- SJRWMD - Temporary Dewatering Permit (if needed)

Additional permit fees are to be included in the cost of Mobilization 101-1

3. Maintenance

The Contractor shall be responsible for daily inspection and maintenance of all erosion control devices throughout the construction phase of the project. Maintenance shall be conducted in accordance with "FDOT Standard Specifications for Road and Bridge Construction" Section 104 and "FDOT Roadway and Traffic Design Standards" standard indices 100 - 105 or as directed by the Engineer.

The Contractor will be responsible for maintenance and repairs of erosion and sediment control devices, and removal of erosion and sediment control devices until acceptance of the completed project by FDOT.

Maintenance and repair required for the control and abatement of erosion and water pollution shall be included in the cost of Pay Item 104-2A.

The following practices will be used to maintain erosion and sediment controls:

General:

The Contractor shall install and maintain rain gauges on the project site and record weekly rainfall in accordance with NPDES Permit No. FLR 100000. All control measures will be maintained by the Contractor.

All measures will be maintained in good working order. If a repair is necessary, it will be initiated within 24 hours of report.

Structural Practices Controls:

Built-up sediment will be removed from silt fence and staked turbidity barriers not later than when it has reached one-third the height of the fence.

Temporary and permanent seeding, sodding and planting will be inspected for bare spots, washouts, and healthy growth.

Soil tracking prevention device, Type A shall be maintained to prevent clogging of rock bedding which may impede the usefulness of the structure.

Floating turbidity barrier will be maintained with respect to depth of sediment and ensure that the fabric is attached securely to the floats and anchored properly at the bottom for proper sediment control.

4. Inspection

All erosion and water pollution abatement and control measures will be inspected daily by the Contractor.

Inspections are to be performed by qualified personnel who have completed the Florida Storm water, erosion and sediment control training and certification program for inspectors and contractors who have passed the examination.

Inspection Areas: Locations or areas to be inspected include but are not limited to:

- Discharge points to waters of the United States
- Discharge points to MS4 facilities
- Areas not meeting the "Final Stabilization" criteria

- Materials storage/stockpiles
- Sedimentation facilities
- Structural facilities
- Vehicle Entrances/Exits
- On-site stormwater management systems

The Contractor shall use the Construction Inspection Report form 650-040-03 for daily inspections.

The Contractor's daily inspections required for the control and abatement of erosion and water pollution shall be included in the cost of Pay Item 104-2A.

Tracking and Reporting

The Contractor is responsible for completing the inspection report form 650-040-03 every 7 days and after any 0.50 inch (or more) rainfall event. A copy of the inspection report shall be submitted to the Engineer weekly.

The County shall maintain all records submitted by the Contractor.

Preparation of the Contractor's weekly reports of inspections, maintenance and repairs required for the control and abatement of erosion and water pollution shall be included in the cost of Pay Item 104-2A.

5. Non-Storm Water Discharge and Hazardous Waste

The Contractor will provide Indian River County with an erosion control plan that incorporates the construction schedule and will include spill reporting and response. When the Contractor encounters a spill, construction will stop work and work will not resume until directed by the Engineer. Disposition of hazardous waste will be made in accordance with any requirements and regulations of any local, state or federal agency having jurisdiction.

6. References

The construction plans and specifications for 66th Avenue Roadway Widening - Phase I 49th Street to 69th Street are hereby referenced and made part of this Stormwater Pollution Prevention Plan.

7. Quantities

See construction plans summary of quantities sheets for erosion control quantity tabulation.

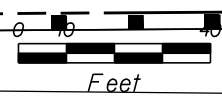
REVISIONS				Kimley»Horn	INDIAN RIVER COUNTY BOARD OF COUNTY COMMISSIONERS	EROSION CONTROL GENERAL NOTES	SHEET NO.
DESCRIPTION	DATE	BY	DESCRIPTION				
				BRIAN A. GOOD, P.E. P.E. LICENSE NUMBER 56939 445 24th STREET, SUITE 200 VERO BEACH, FL 32960 (772) 794-4100 CERTIFICATE OF AUTHORIZATION# 00000696	66th AVENUE ROADWAY WIDENING - PHASE IB 49th STREET TO 69th STREET	199	

BEGIN 66th AVENUE ROADWAY
EROSION CONTROL
STA. 351+25.16

66th AVENUE SEGMENT I
PROPOSED IMPROVEMENTS
BY ARCADIS 0° 12' 43" E

POT STA. 351+25.16

POT STA. 352+05.20



Feet

MATCHLINE STA. 355+00.00

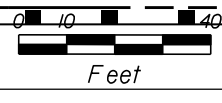
LEGEND:

- SILT FENCE
- *SEDIMENT CONTROL INLET PROTECTION
- FLOATING TURBIDITY BARRIER
- STAKED TURBIDITY BARRIER

*THE CONTRACTOR MAY UTILIZE THE FOLLOWING INLET PROTECTION METHODS AS APPROPRIATE:

1. GRAVEL CURB INLET FILTER
2. SILT FENCE INLET PROTECTION
3. CURB INLET SEDIMENT BARRIER
4. CURB & GUTTER SEDIMENT BARRIER
5. GRAVEL BAG CURB SEDIMENT BARRIERS

MATCHLINE STA. 355+00.00



Feet

MATCHLINE STA. 360+50.00

REVISIONS				
NO.	DESCRIPTION	DATE	BY	DESCRIPTION

Kimley»Horn
 BRIAN A. GOOD, P.E.
 P.E. LICENSE NUMBER 56939
 445 24th STREET, SUITE 200
 VERO BEACH, FL 32960
 (772) 794-4100
 CERTIFICATE OF AUTHORIZATION# 00000696

**INDIAN RIVER COUNTY
BOARD OF COUNTY COMMISSIONERS**
 66th AVENUE ROADWAY WIDENING -
 PHASE IB 49th STREET TO 69th STREET

**66th AVENUE
EROSION CONTROL PLAN**

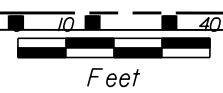
SHEET NO.
200

THE OFFICIAL RECORD OF THIS SHEET IS THE ELECTRONIC FILE DIGITALLY SIGNED AND SEALED UNDER RULE 61G15-23.004, F.A.C.

1505

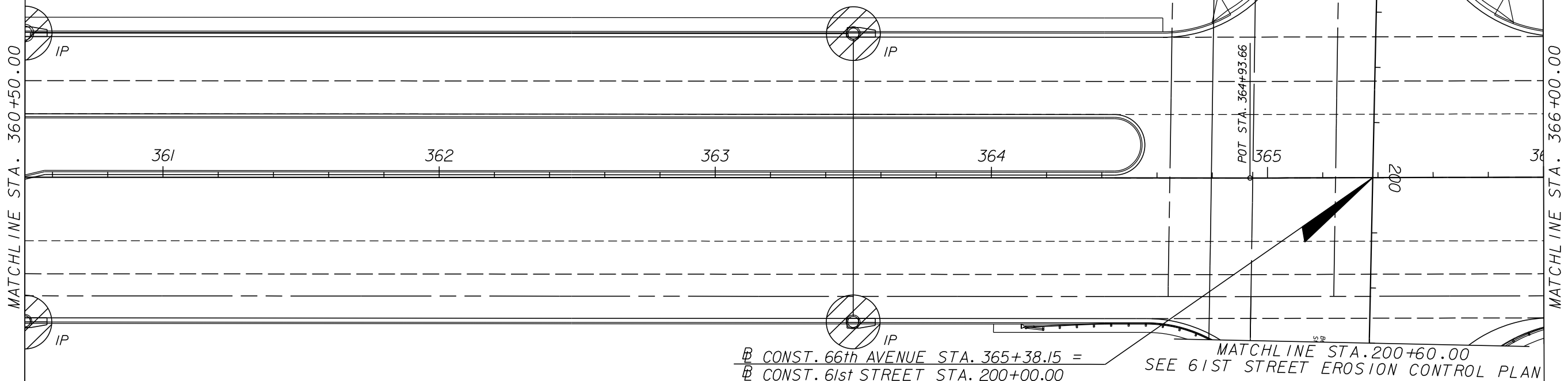
IRCO Proj. No.

MATCHLINE STA. 200+60.00
SEE 61ST STREET EROSION CONTROL PLAN



MATCHLINE STA. 360+50.00

MATCHLINE STA. 366+00.00



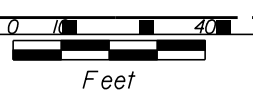
CONST. 66th AVENUE STA. 365+38.15 =
CONST. 61st STREET STA. 200+00.00

LEGEND:

- SILT FENCE
- *SEDIMENT CONTROL INLET PROTECTION
- FLOATING TURBIDITY BARRIER
- STAKED TURBIDITY BARRIER

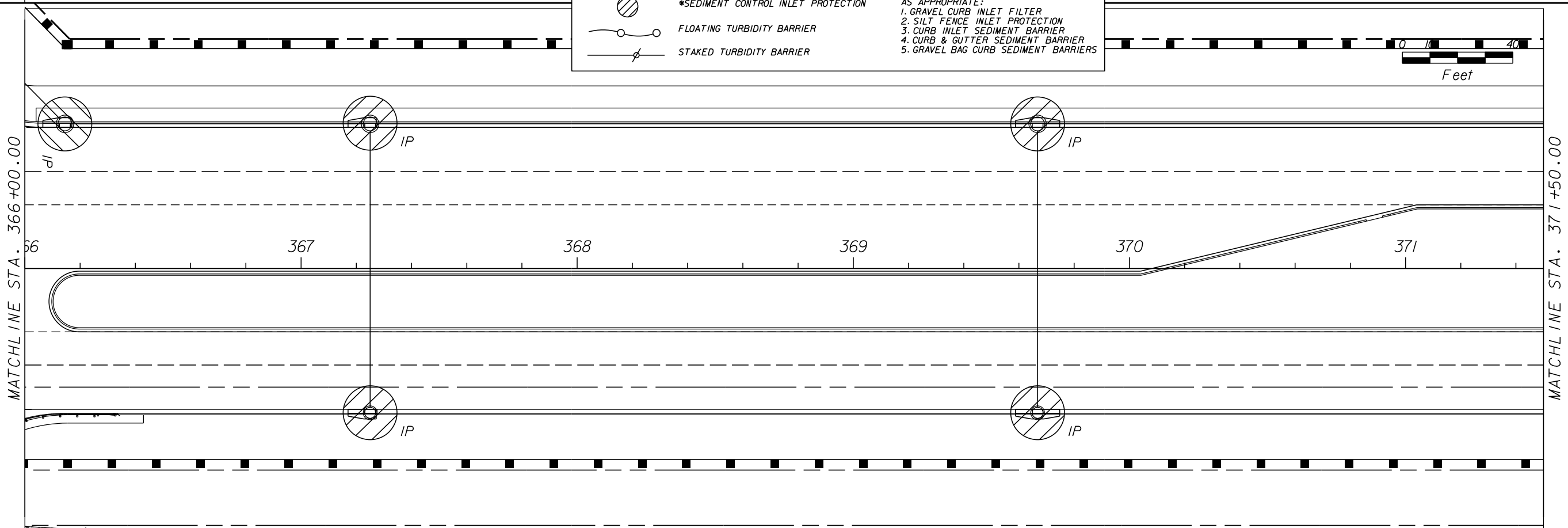
***THE CONTRACTOR MAY UTILIZE THE FOLLOWING INLET PROTECTION METHODS AS APPROPRIATE:**

1. GRAVEL CURB INLET FILTER
2. SILT FENCE INLET PROTECTION
3. CURB INLET SEDIMENT BARRIER
4. CURB & GUTTER SEDIMENT BARRIER
5. GRAVEL BAG CURB SEDIMENT BARRIERS



MATCHLINE STA. 366+00.00

MATCHLINE STA. 371+50.00



REVISIONS

NO.	DESCRIPTION	DATE	BY	DESCRIPTION

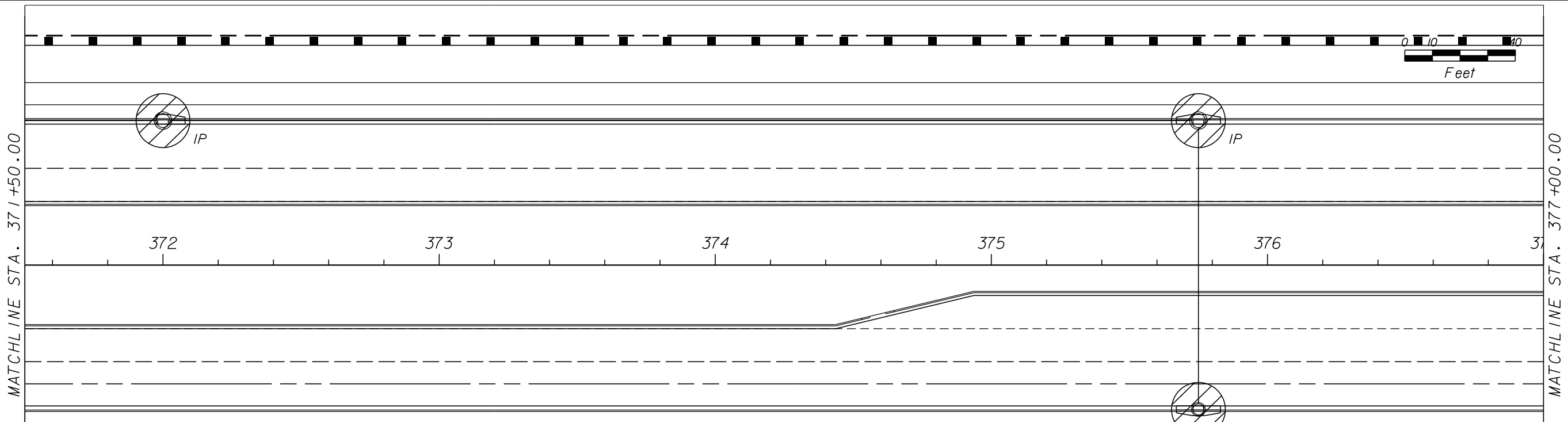
Kimley»Horn
 BRIAN A. GOOD, P.E.
 P.E. LICENSE NUMBER 56939
 445 24th STREET, SUITE 200
 VERO BEACH, FL 32960
 (772) 794-4100
 CERTIFICATE OF AUTHORIZATION# 00000696

**INDIAN RIVER COUNTY
 BOARD OF COUNTY COMMISSIONERS**
**66th AVENUE ROADWAY WIDENING -
 PHASE IB 49th STREET TO 69th STREET**

**66th AVENUE
 EROSION CONTROL PLAN**

SHEET NO.
201

THE OFFICIAL RECORD OF THIS SHEET IS THE ELECTRONIC FILE DIGITALLY SIGNED AND SEALED UNDER RULE 61G15-23.004, F.A.C. I.R.CO. Proj. No. 1505

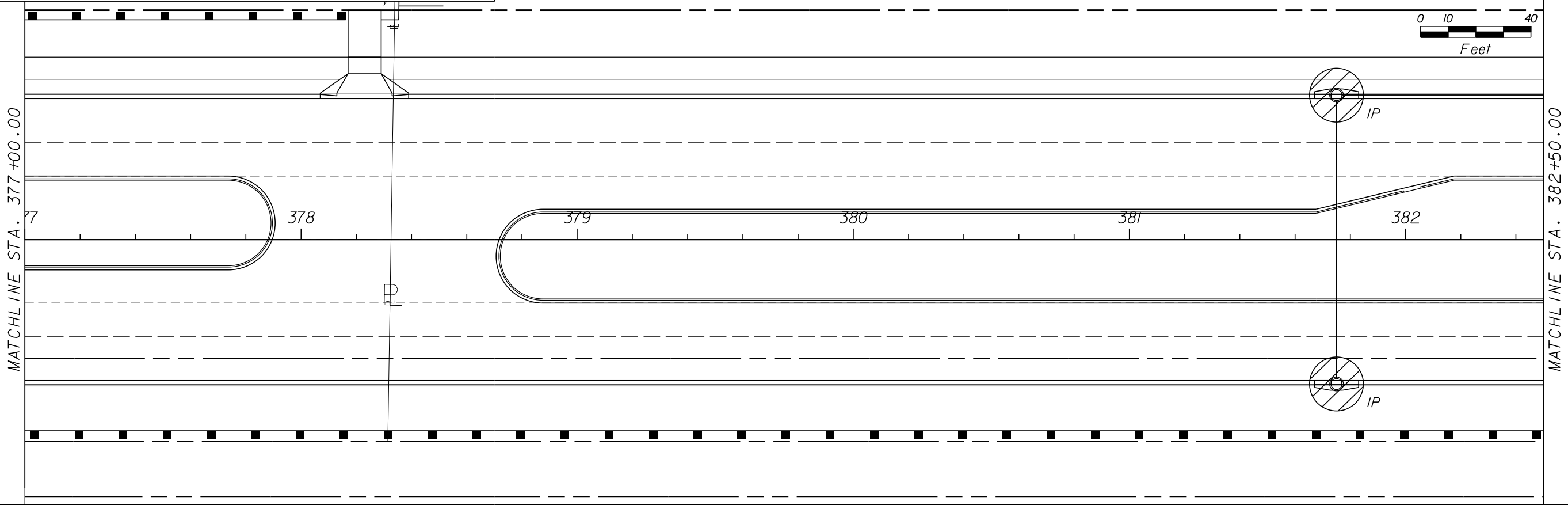


LEGEND:

- SILT FENCE
- *SEDIMENT CONTROL INLET PROTECTION
- FLOATING TURBIDITY BARRIER
- STAKED TURBIDITY BARRIER

*THE CONTRACTOR MAY UTILIZE THE FOLLOWING INLET PROTECTION METHODS AS APPROPRIATE:

1. GRAVEL CURB INLET FILTER
2. SILT FENCE INLET PROTECTION
3. CURB INLET SEDIMENT BARRIER
4. CURB & GUTTER SEDIMENT BARRIER
5. GRAVEL BAG CURB SEDIMENT BARRIERS



REVISIONS				
NO.	DESCRIPTION	DATE	BY	DESCRIPTION

Kimley»Horn
 BRIAN A. GOOD, P.E.
 P.E. LICENSE NUMBER 56939
 445 24th STREET, SUITE 200
 VERO BEACH, FL 32960
 (772) 794-4100
 CERTIFICATE OF AUTHORIZATION# 00000696

**INDIAN RIVER COUNTY
 BOARD OF COUNTY COMMISSIONERS**
 66th AVENUE ROADWAY WIDENING -
 PHASE IB 49th STREET TO 69th STREET

**66th AVENUE
 EROSION CONTROL PLAN**

SHEET NO.	202
-----------	-----

MATCHLINE STA. 382+50.00

MATCHLINE STA. 388+00.00



LEGEND:

- SILT FENCE
- *SEDIMENT CONTROL INLET PROTECTION
- FLOATING TURBIDITY BARRIER
- STAKED TURBIDITY BARRIER

***THE CONTRACTOR MAY UTILIZE THE FOLLOWING INLET PROTECTION METHODS AS APPROPRIATE:**

1. GRAVEL CURB INLET FILTER
2. SILT FENCE INLET PROTECTION
3. CURB INLET SEDIMENT BARRIER
4. CURB & GUTTER SEDIMENT BARRIER
5. GRAVEL BAG CURB SEDIMENT BARRIERS

MATCHLINE STA. 388+00.00

MATCHLINE STA. 393+50.00



MATCHLINE STA. 199+20.00
SEE 65TH STREET EROSION CONTROL PLAN

MATCHLINE STA. 200+60.00
SEE 65TH STREET EROSION CONTROL PLAN

CONST. 66th AVENUE STA. 392+13.80 =
CONST. 65th STREET STA. 200+00.00

REVISIONS				
NO.	DESCRIPTION	DATE	BY	DESCRIPTION

Kimley»Horn
 BRIAN A. GOOD, P.E.
 P.E. LICENSE NUMBER 56939
 445 24th STREET, SUITE 200
 VERO BEACH, FL 32960
 (772) 794-4100
 CERTIFICATE OF AUTHORIZATION# 00000696

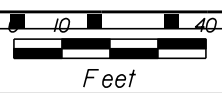
**INDIAN RIVER COUNTY
 BOARD OF COUNTY COMMISSIONERS**
**66th AVENUE ROADWAY WIDENING -
 PHASE IB 49th STREET TO 69th STREET**

**66th AVENUE
 EROSION CONTROL PLAN**

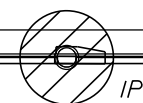
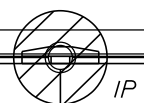
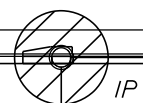
SHEET NO.
 203

MATCHLINE STA. 393+50.00

MATCHLINE STA. 399+00.00



Feet



394

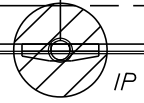
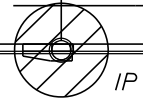
395

396

397

398

399



LEGEND:

- SILT FENCE
- *SEDIMENT CONTROL INLET PROTECTION
- FLOATING TURBIDITY BARRIER
- STAKED TURBIDITY BARRIER

*THE CONTRACTOR MAY UTILIZE THE FOLLOWING INLET PROTECTION METHODS AS APPROPRIATE:

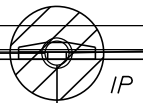
1. GRAVEL CURB INLET FILTER
2. SILT FENCE INLET PROTECTION
3. CURB INLET SEDIMENT BARRIER
4. CURB & GUTTER SEDIMENT BARRIER
5. GRAVEL BAG CURB SEDIMENT BARRIERS

MATCHLINE STA. 399+00.00

MATCHLINE STA. 404+50.00



Feet



400

401

402

403

404

REVISIONS

DESCRIPTION	DATE	BY	DESCRIPTION

Kimley»Horn

BRIAN A. GOOD, P.E.
 P.E. LICENSE NUMBER 56939
 445 24th STREET, SUITE 200
 VERO BEACH, FL 32960
 (772) 794-4100
 CERTIFICATE OF AUTHORIZATION# 00000696

**INDIAN RIVER COUNTY
 BOARD OF COUNTY COMMISSIONERS**
**66th AVENUE ROADWAY WIDENING -
 PHASE IB 49th STREET TO 69th STREET**

**66th AVENUE
 EROSION CONTROL PLAN**

SHEET NO.

204

MATCH LINE B-B
(SEE POND 66C EROSION CONTROL PLAN)



MATCHLINE STA. 404+50.00

MATCHLINE STA. 410+00.00

405

406

407

408

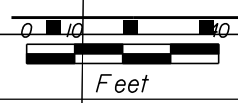
409

410

LEGEND:

- SILT FENCE
- *SEDIMENT CONTROL INLET PROTECTION
- FLOATING TURBIDITY BARRIER
- STAKED TURBIDITY BARRIER

*THE CONTRACTOR MAY UTILIZE THE FOLLOWING INLET PROTECTION METHODS AS APPROPRIATE:
 1. GRAVEL CURB INLET FILTER
 2. SILT FENCE INLET PROTECTION
 3. CURB INLET SEDIMENT BARRIER
 4. CURB & GUTTER SEDIMENT BARRIER
 5. GRAVEL BAG CURB SEDIMENT BARRIERS



MATCHLINE STA. 410+00.00

MATCHLINE STA. 415+50.00

411

412

413

414

415

REVISIONS

DESCRIPTION	DATE	BY	DESCRIPTION

Kimley»Horn

BRIAN A. GOOD, P.E.
 P.E. LICENSE NUMBER 56939
 445 24th STREET, SUITE 200
 VERO BEACH, FL 32960
 (772) 794-4100
 CERTIFICATE OF AUTHORIZATION# 00000696

**INDIAN RIVER COUNTY
 BOARD OF COUNTY COMMISSIONERS**
**66th AVENUE ROADWAY WIDENING -
 PHASE IB 49th STREET TO 69th STREET**

**66th AVENUE
 EROSION CONTROL PLAN**

SHEET NO.
 205

THE OFFICIAL RECORD OF THIS SHEET IS THE ELECTRONIC FILE DIGITALLY SIGNED AND SEALED UNDER RULE 61G15-23.004, F.A.C.

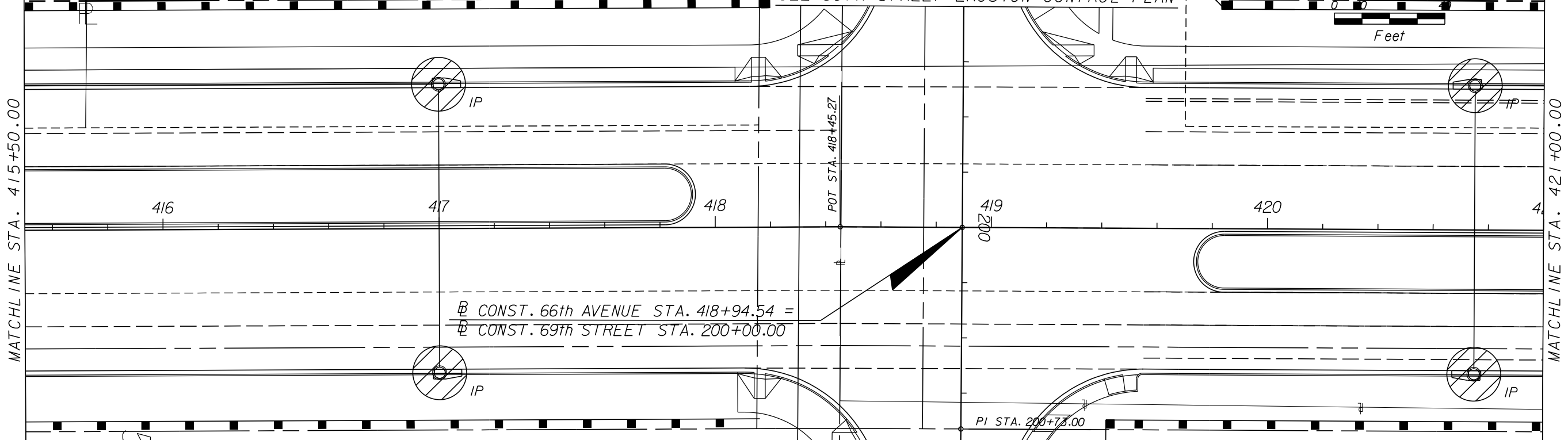
IRCO Proj. No. 1505

MATCHLINE STA. 199+20.00
SEE 69TH STREET EROSION CONTROL PLAN

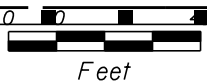


MATCHLINE STA. 415+50.00

MATCHLINE STA. 421+00.00

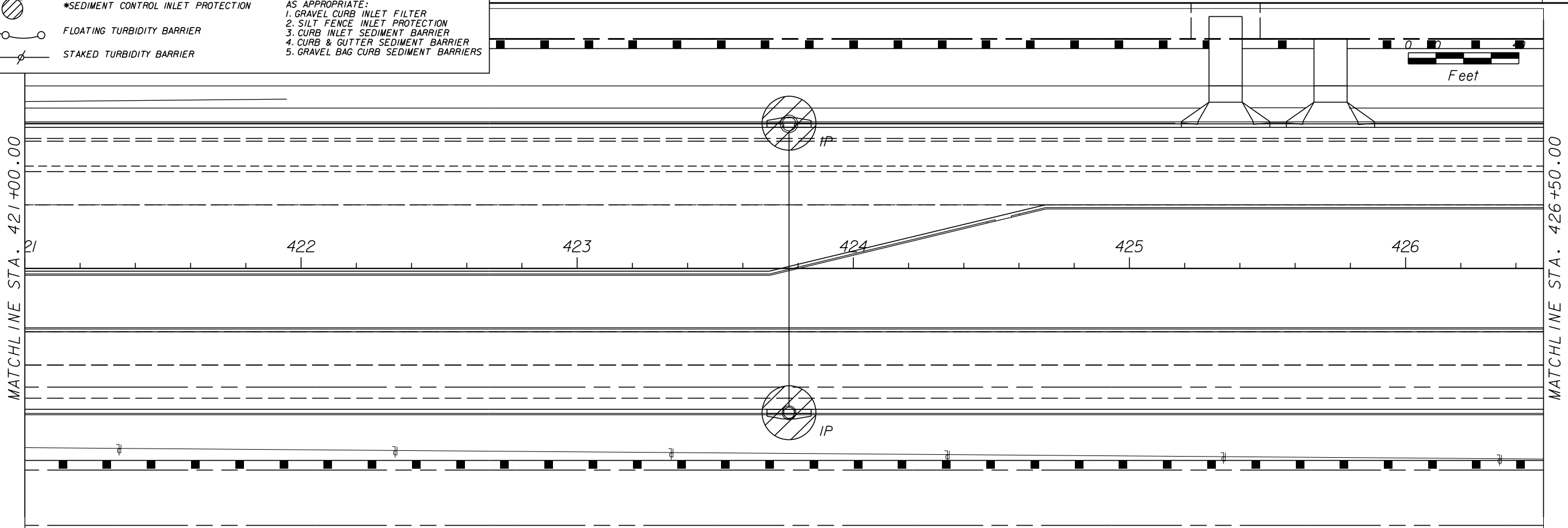


MATCHLINE STA. 200+80.00
SEE 69TH STREET EROSION CONTROL PLAN



MATCHLINE STA. 421+00.00

MATCHLINE STA. 426+50.00



LEGEND:

- SILT FENCE
- *SEDIMENT CONTROL INLET PROTECTION
- FLOATING TURBIDITY BARRIER
- STAKED TURBIDITY BARRIER

***THE CONTRACTOR MAY UTILIZE THE FOLLOWING INLET PROTECTION METHODS AS APPROPRIATE:**

1. GRAVEL CURB INLET FILTER
2. SILT FENCE INLET PROTECTION
3. CURB INLET SEDIMENT BARRIER
4. CURB & GUTTER SEDIMENT BARRIER
5. GRAVEL BAG CURB SEDIMENT BARRIERS

REVISIONS				
NO.	DESCRIPTION	DATE	BY	DESCRIPTION

Kimley»Horn
 BRIAN A. GOOD, P.E.
 P.E. LICENSE NUMBER 56939
 445 24th STREET, SUITE 200
 VERO BEACH, FL 32960
 (772) 794-4100
 CERTIFICATE OF AUTHORIZATION# 00000696

**INDIAN RIVER COUNTY
 BOARD OF COUNTY COMMISSIONERS**
**66th AVENUE ROADWAY WIDENING -
 PHASE IB 49th STREET TO 69th STREET**

**66th AVENUE
 EROSION CONTROL PLAN**

SHEET NO.
206

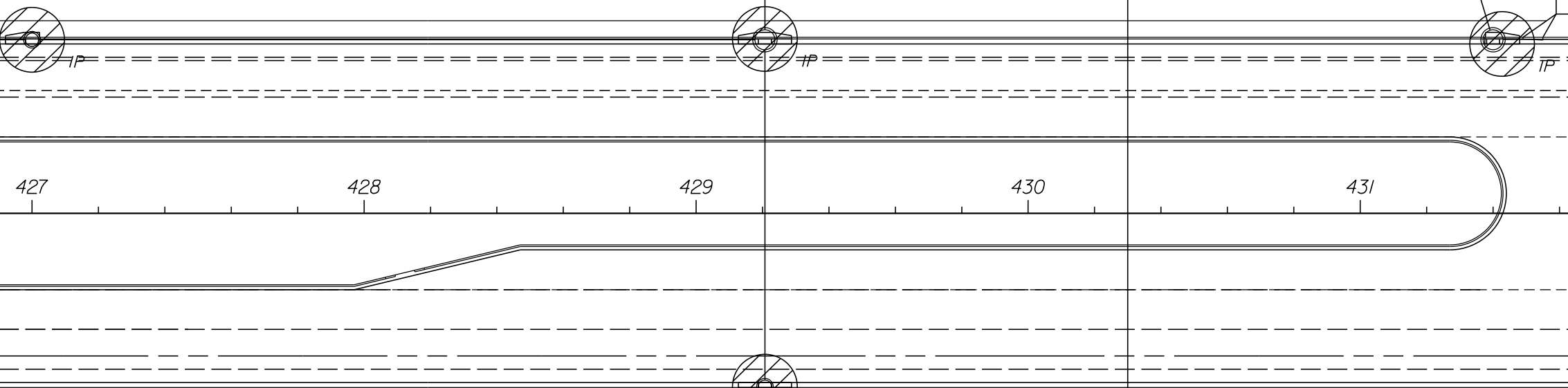
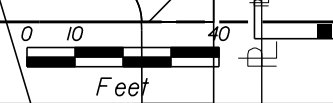
THE OFFICIAL RECORD OF THIS SHEET IS THE ELECTRONIC FILE DIGITALLY SIGNED AND SEALED UNDER RULE 61G15-23.004, F.A.C.

1505

IR.CO. Proj. No.

MATCHLINE STA. 426+50.00

MATCHLINE STA. 432+00.00



LEGEND:

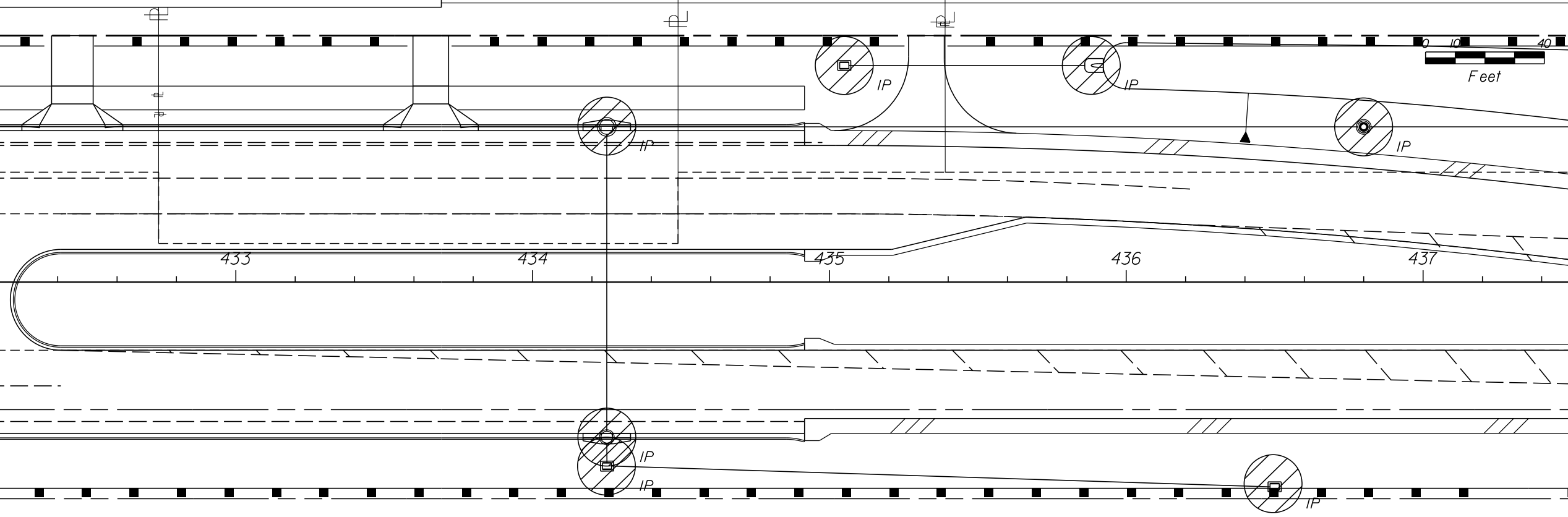
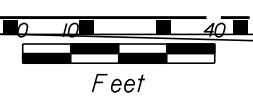
- SILT FENCE
- *SEDIMENT CONTROL INLET PROTECTION
- FLOATING TURBIDITY BARRIER
- STAKED TURBIDITY BARRIER

*THE CONTRACTOR MAY UTILIZE THE FOLLOWING INLET PROTECTION METHODS AS APPROPRIATE:

1. GRAVEL CURB INLET FILTER
2. SILT FENCE INLET PROTECTION
3. CURB INLET SEDIMENT BARRIER
4. CURB & GUTTER SEDIMENT BARRIER
5. GRAVEL BAG CURB SEDIMENT BARRIERS

MATCHLINE STA. 432+00.00

MATCHLINE STA. 437+50.00



REVISIONS				
NO.	DESCRIPTION	DATE	BY	DESCRIPTION

Kimley»Horn

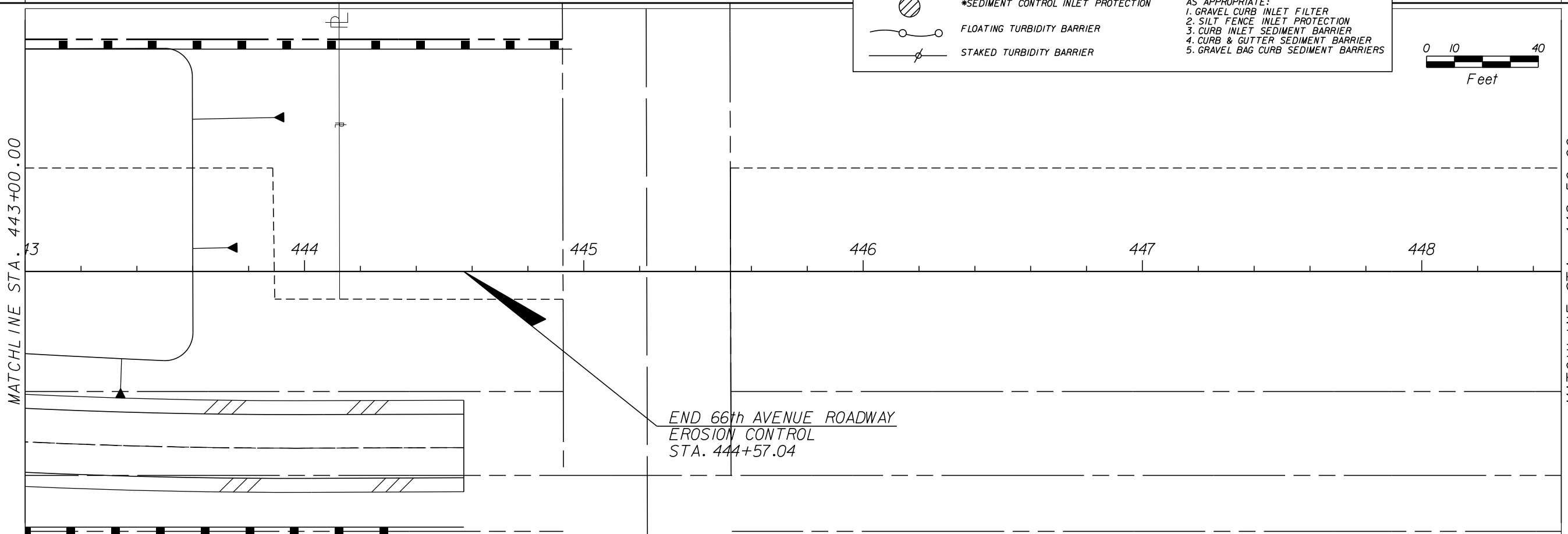
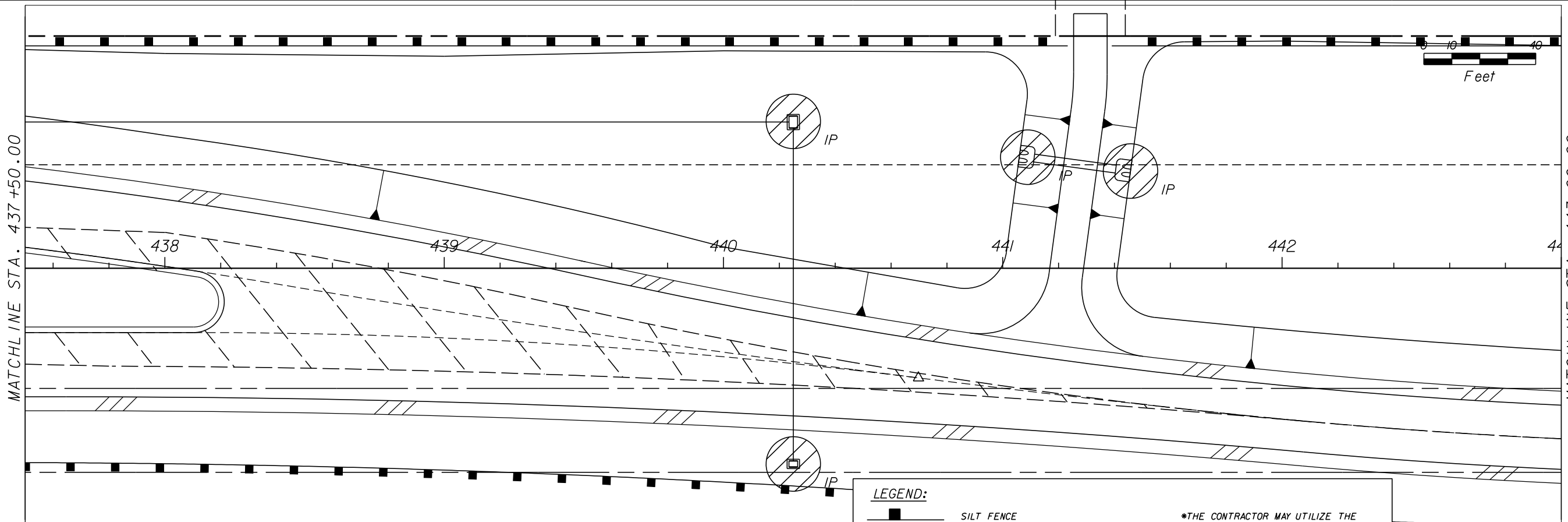
BRIAN A. GOOD, P.E.
P.E. LICENSE NUMBER 56939
445 24th STREET, SUITE 200
VERO BEACH, FL 32960
(772) 794-4100
CERTIFICATE OF AUTHORIZATION# 00000696

INDIAN RIVER COUNTY
BOARD OF COUNTY COMMISSIONERS

66th AVENUE ROADWAY WIDENING -
PHASE IB 49th STREET TO 69th STREET

66th AVENUE
EROSION CONTROL PLAN

SHEET NO.
207



LEGEND:

- SILT FENCE
- *SEDIMENT CONTROL INLET PROTECTION
- FLOATING TURBIDITY BARRIER
- STAKED TURBIDITY BARRIER

*THE CONTRACTOR MAY UTILIZE THE FOLLOWING INLET PROTECTION METHODS AS APPROPRIATE:

1. GRAVEL CURB INLET FILTER
2. SILT FENCE INLET PROTECTION
3. CURB INLET SEDIMENT BARRIER
4. CURB & GUTTER SEDIMENT BARRIER
5. GRAVEL BAG CURB SEDIMENT BARRIERS

REVISIONS				
NO.	DESCRIPTION	DATE	BY	DESCRIPTION

Kimley»Horn
 BRIAN A. GOOD, P.E.
 P.E. LICENSE NUMBER 56939
 445 24th STREET, SUITE 200
 VERO BEACH, FL 32960
 (772) 794-4100
 CERTIFICATE OF AUTHORIZATION# 00000696

**INDIAN RIVER COUNTY
 BOARD OF COUNTY COMMISSIONERS**
**66th AVENUE ROADWAY WIDENING -
 PHASE IB 49th STREET TO 69th STREET**

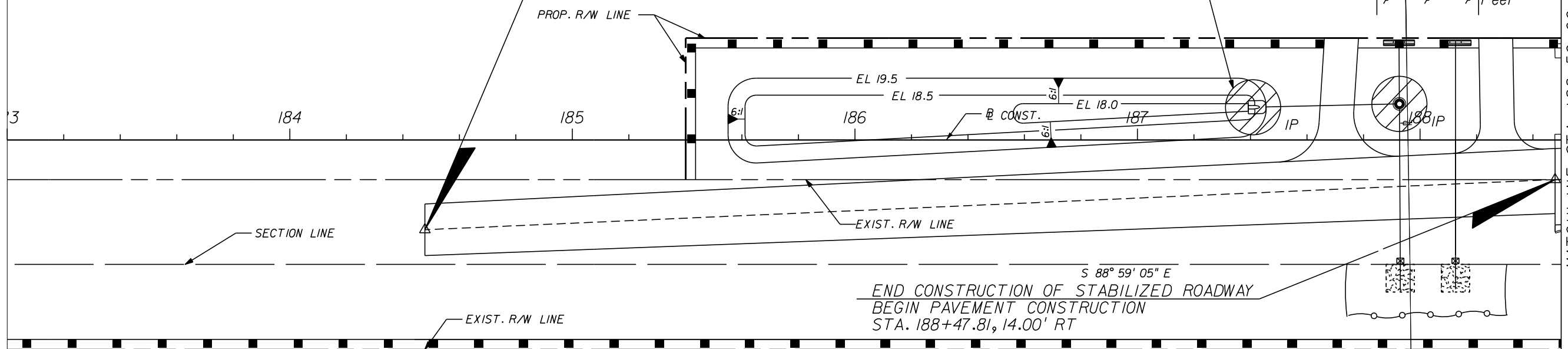
**66th AVENUE
 EROSION CONTROL PLAN**

SHEET NO.
 208

BEGIN 61st STREET EROSION CONTROL
STA. 184+47.81, 32.00' RT

STAKED TURBIDITY BARRIER (TYP.)

INLET PROTECTION (TYP.)



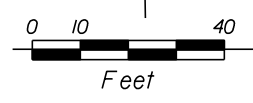
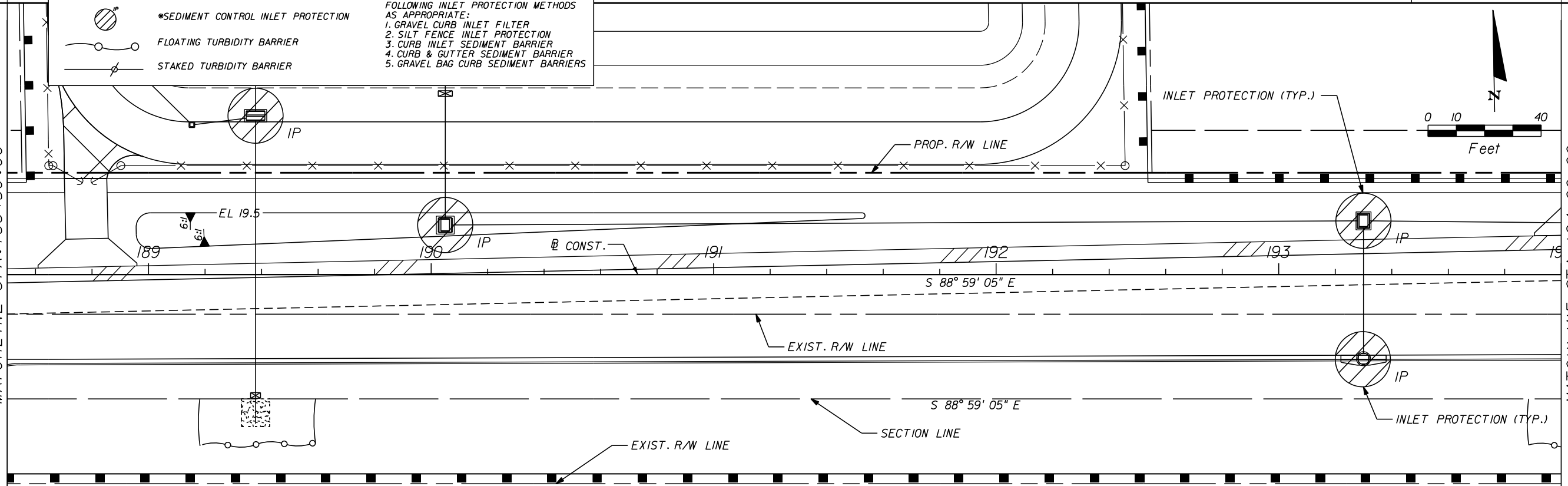
LEGEND:

- SILT FENCE
- *SEDIMENT CONTROL INLET PROTECTION
- FLOATING TURBIDITY BARRIER
- STAKED TURBIDITY BARRIER

*THE CONTRACTOR MAY UTILIZE THE FOLLOWING INLET PROTECTION METHODS AS APPROPRIATE:

1. GRAVEL CURB INLET FILTER
2. SILT FENCE INLET PROTECTION
3. CURB INLET SEDIMENT BARRIER
4. CURB & GUTTER SEDIMENT BARRIER
5. GRAVEL BAG CURB SEDIMENT BARRIERS

MATCHLINE STA. 188+50.00



MATCHLINE STA. 194+00.00

REVISIONS

DESCRIPTION	DATE	BY	DESCRIPTION

Kimley»Horn

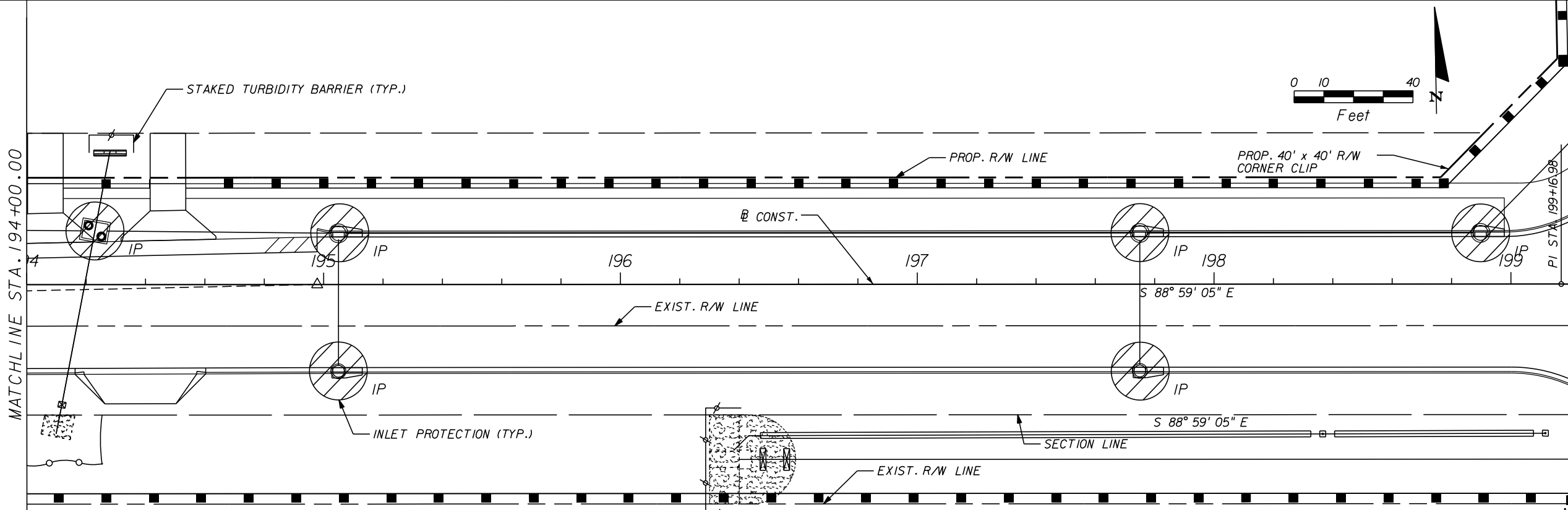
BRIAN A. GOOD, P.E.
 P.E. LICENSE NUMBER 56939
 445 24th STREET, SUITE 200
 VERO BEACH, FL 32960
 (772) 794-4100
 CERTIFICATE OF AUTHORIZATION# 00000696

**INDIAN RIVER COUNTY
 BOARD OF COUNTY COMMISSIONERS**
**66th AVENUE ROADWAY WIDENING -
 PHASE IB 49th STREET TO 69th STREET**

**61st STREET
 EROSION CONTROL PLAN**

SHEET NO.

209

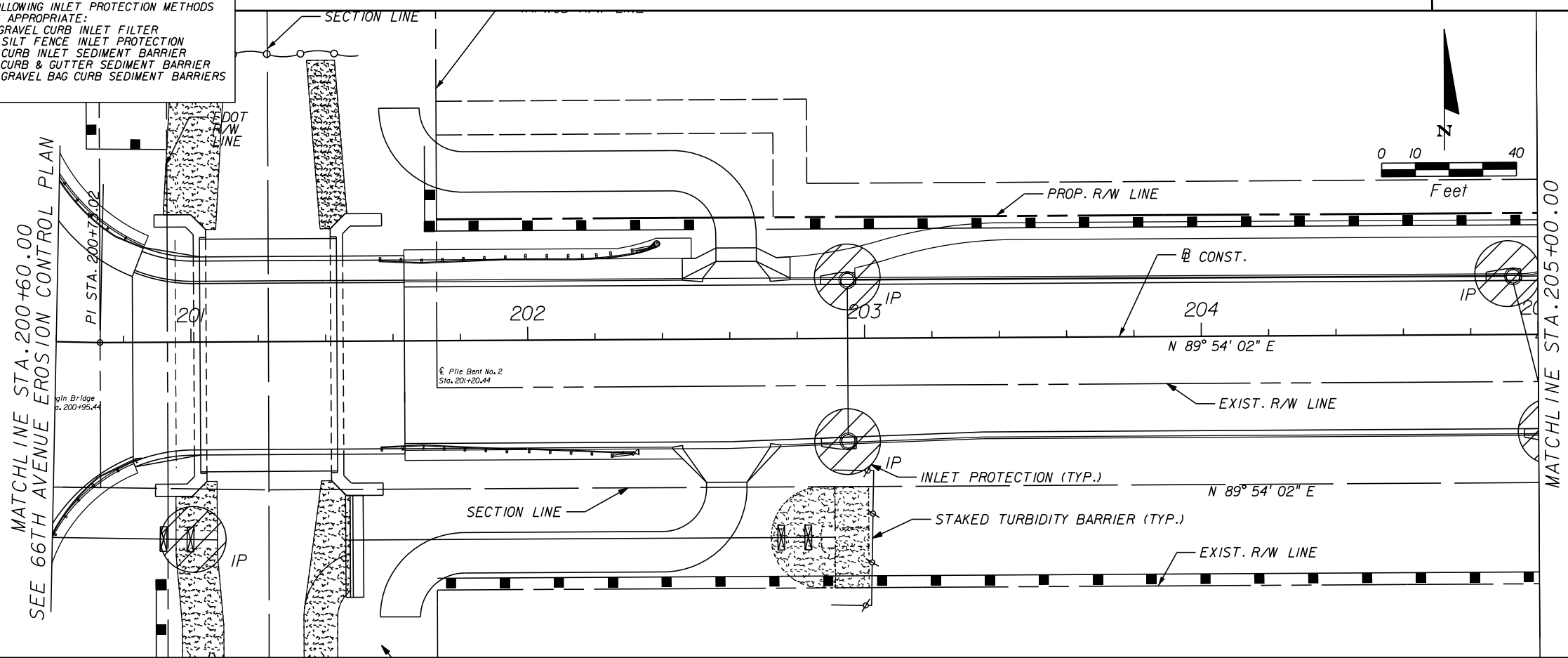


LEGEND:

- SILT FENCE
- *SEDIMENT CONTROL INLET PROTECTION
- FLOATING TURBIDITY BARRIER
- STAKED TURBIDITY BARRIER

*THE CONTRACTOR MAY UTILIZE THE FOLLOWING INLET PROTECTION METHODS AS APPROPRIATE:

1. GRAVEL CURB INLET FILTER
2. SILT FENCE INLET PROTECTION
3. CURB INLET SEDIMENT BARRIER
4. CURB & GUTTER SEDIMENT BARRIER
5. GRAVEL BAG CURB SEDIMENT BARRIERS



REVISIONS			
DESCRIPTION	DATE	BY	DESCRIPTION

Kimley»Horn

BRIAN A. GOOD, P.E.
P.E. LICENSE NUMBER 56939
445 24th STREET, SUITE 200
VERO BEACH, FL 32960
(772) 794-4100
CERTIFICATE OF AUTHORIZATION# 00000696

INDIAN RIVER COUNTY
BOARD OF COUNTY COMMISSIONERS

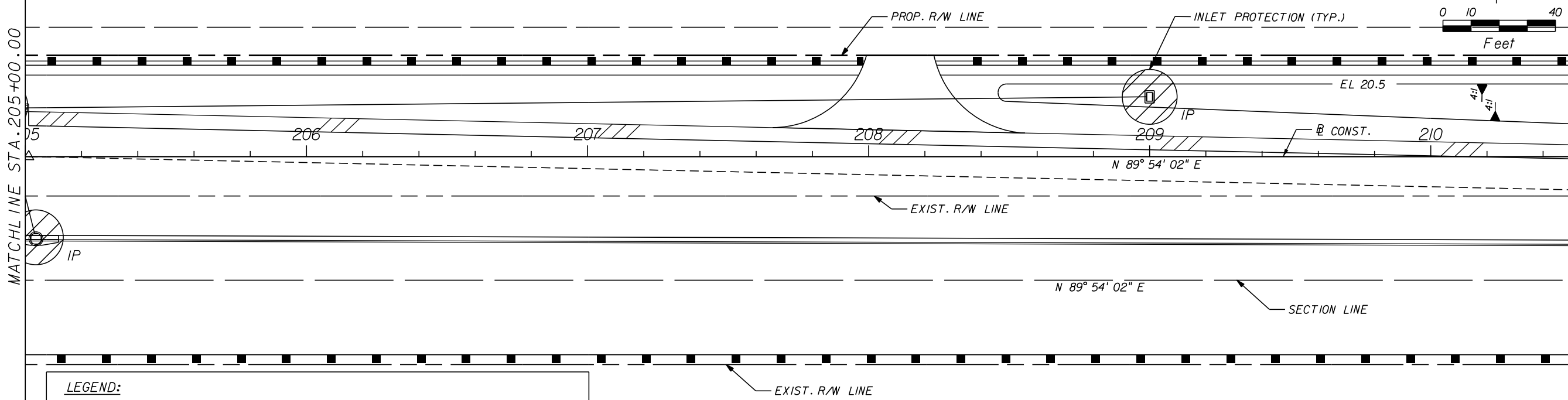
66th AVENUE ROADWAY WIDENING -
PHASE IB 49th STREET TO 69th STREET

61st STREET
EROSION CONTROL PLAN

SHEET NO.
210

MATCHLINE STA. 205+00.00

MATCHLINE STA. 210+50.00



LEGEND:

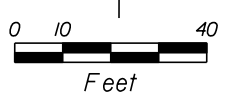
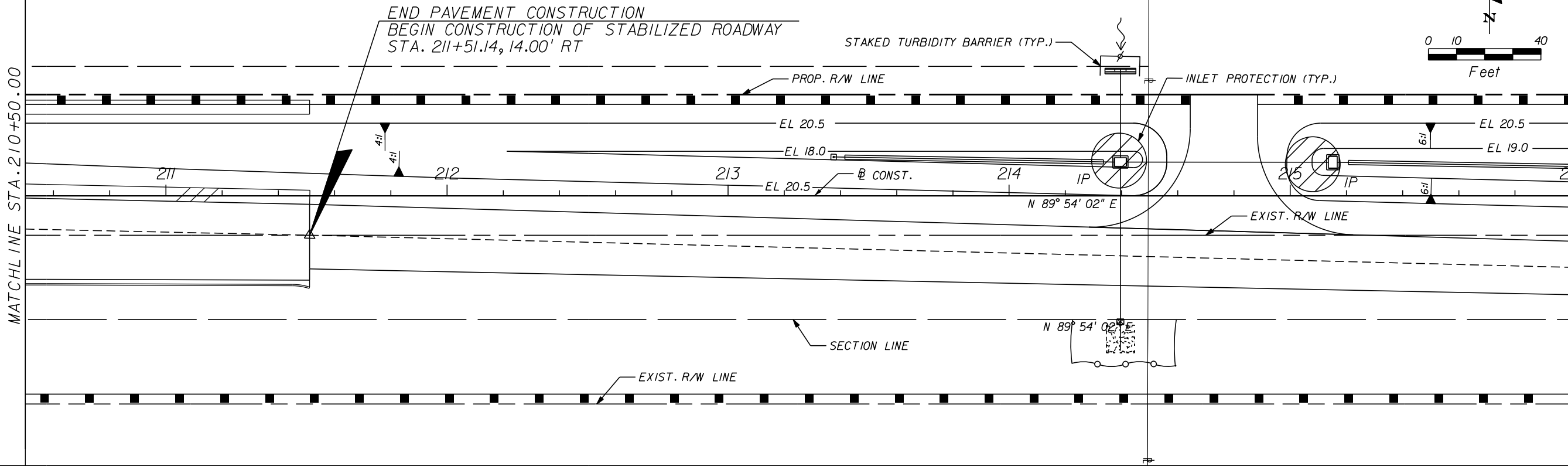
- SILT FENCE
- *SEDIMENT CONTROL INLET PROTECTION
- FLOATING TURBIDITY BARRIER
- STAKED TURBIDITY BARRIER

*THE CONTRACTOR MAY UTILIZE THE FOLLOWING INLET PROTECTION METHODS AS APPROPRIATE:

1. GRAVEL CURB INLET FILTER
2. SILT FENCE INLET PROTECTION
3. CURB INLET SEDIMENT BARRIER
4. CURB & GUTTER SEDIMENT BARRIER
5. GRAVEL BAG CURB SEDIMENT BARRIERS

MATCHLINE STA. 210+50.00

MATCHLINE STA. 215+00.00



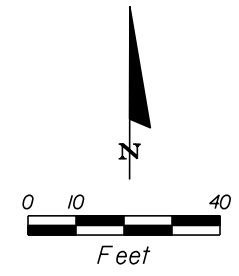
REVISIONS				
NO.	DESCRIPTION	DATE	BY	DESCRIPTION

Kimley»Horn
 BRIAN A. GOOD, P.E.
 P.E. LICENSE NUMBER 56939
 445 24th STREET, SUITE 200
 VERO BEACH, FL 32960
 (772) 794-4100
 CERTIFICATE OF AUTHORIZATION# 00000696

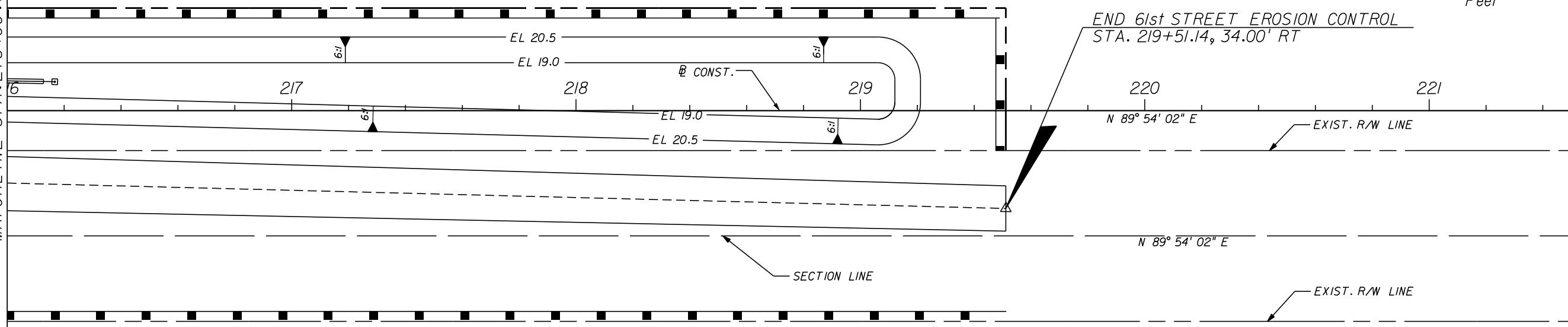
INDIAN RIVER COUNTY BOARD OF COUNTY COMMISSIONERS
66th AVENUE ROADWAY WIDENING - PHASE IB 49th STREET TO 69th STREET

61st STREET EROSION CONTROL PLAN



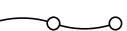
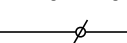
SHEET NO.
211



MATCHLINE STA. 216+00.00



LEGEND:

-  SILT FENCE
-  *SEDIMENT CONTROL INLET PROTECTION
-  FLOATING TURBIDITY BARRIER
-  STAKED TURBIDITY BARRIER

***THE CONTRACTOR MAY UTILIZE THE FOLLOWING INLET PROTECTION METHODS AS APPROPRIATE:**

1. GRAVEL CURB INLET FILTER
2. SILT FENCE INLET PROTECTION
3. CURB INLET SEDIMENT BARRIER
4. CURB & GUTTER SEDIMENT BARRIER
5. GRAVEL BAG CURB SEDIMENT BARRIERS

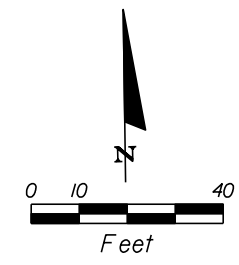
REVISIONS				
NO.	DESCRIPTION	DATE	BY	DESCRIPTION

Kimley»Horn
 BRIAN A. GOOD, P.E.
 P.E. LICENSE NUMBER 56939
 445 24th STREET, SUITE 200
 VERO BEACH, FL 32960
 (772) 794-4100
 CERTIFICATE OF AUTHORIZATION# 00000696

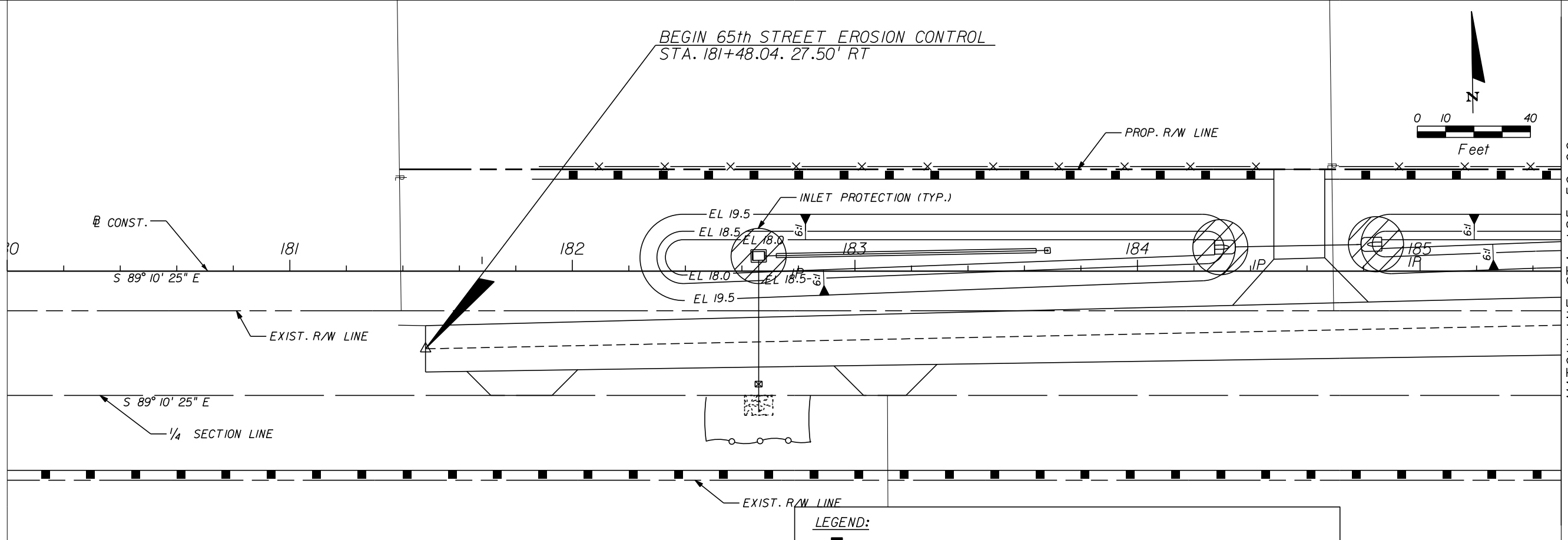
**INDIAN RIVER COUNTY
 BOARD OF COUNTY COMMISSIONERS**
 66th AVENUE ROADWAY WIDENING -
 PHASE IB 49th STREET TO 69th STREET

**61st STREET
 EROSION CONTROL PLAN**

SHEET NO.	212
-----------	-----



BEGIN 65th STREET EROSION CONTROL
STA. 181+48.04, 27.50' RT



MATCHLINE STA. 185+50.00

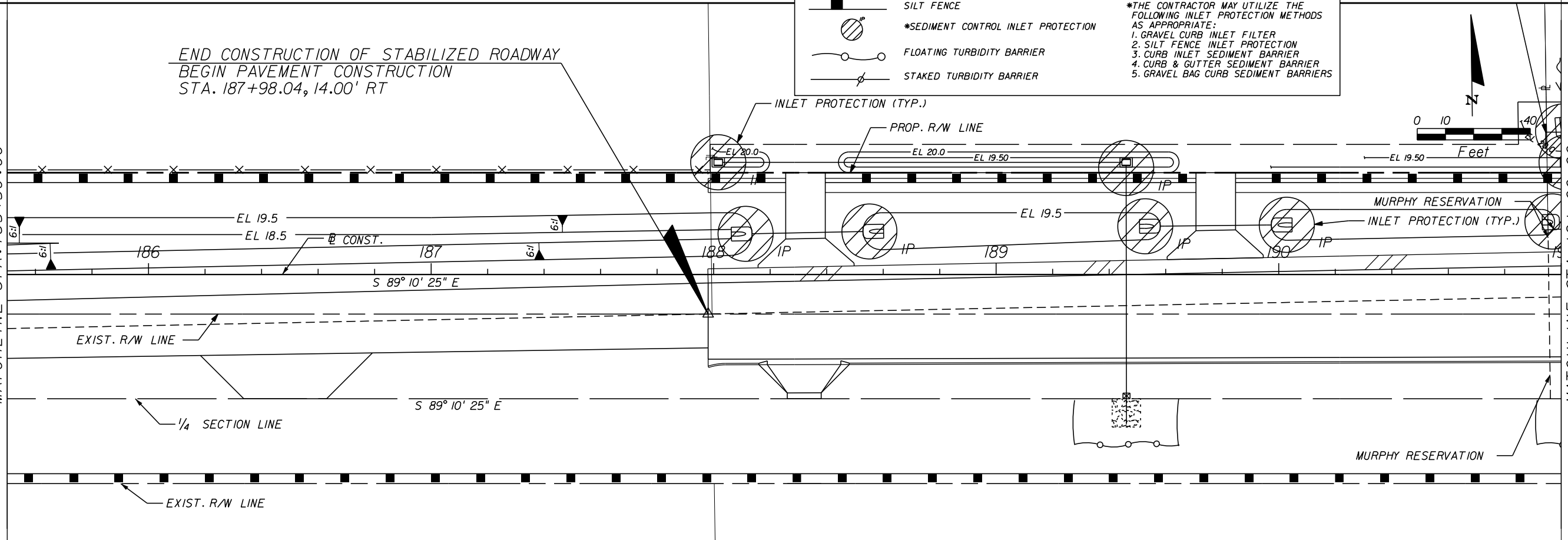
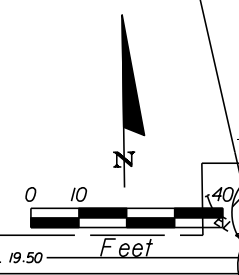
END CONSTRUCTION OF STABILIZED ROADWAY
BEGIN PAVEMENT CONSTRUCTION
STA. 187+98.04, 14.00' RT

LEGEND:

- SILT FENCE
- *SEDIMENT CONTROL INLET PROTECTION
- FLOATING TURBIDITY BARRIER
- STAKED TURBIDITY BARRIER

*THE CONTRACTOR MAY UTILIZE THE FOLLOWING INLET PROTECTION METHODS AS APPROPRIATE:

1. GRAVEL CURB INLET FILTER
2. SILT FENCE INLET PROTECTION
3. CURB INLET SEDIMENT BARRIER
4. CURB & GUTTER SEDIMENT BARRIER
5. GRAVEL BAG CURB SEDIMENT BARRIERS



MATCHLINE STA. 191+00.00

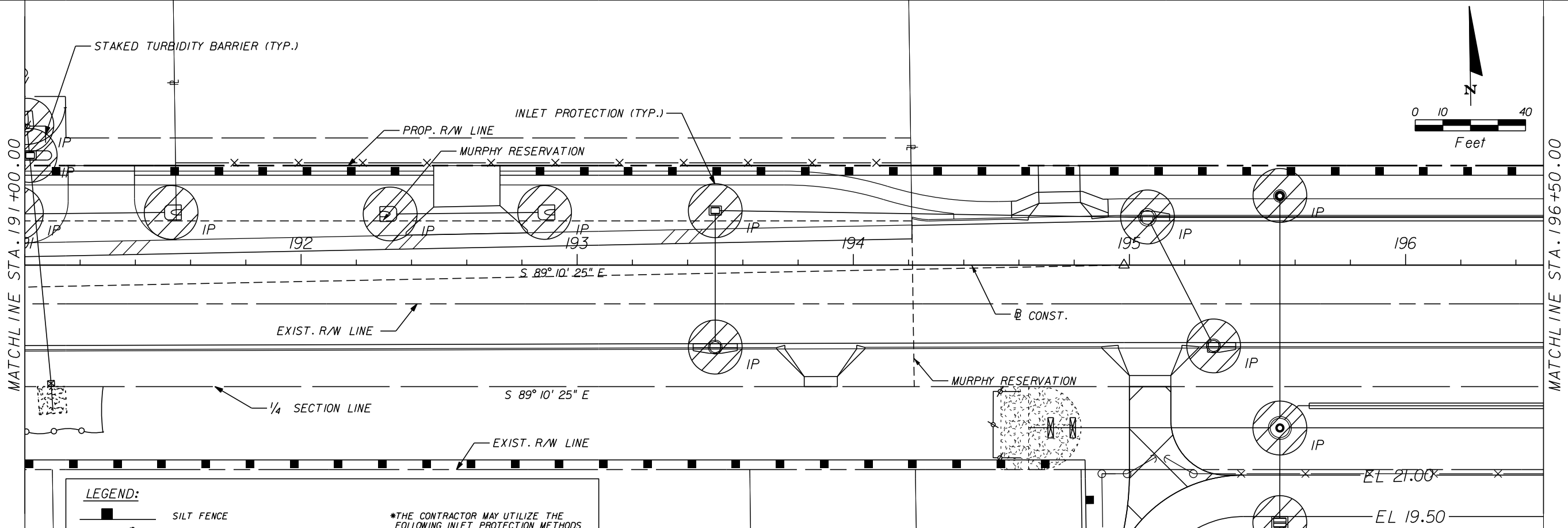
REVISIONS				
NO.	DESCRIPTION	DATE	BY	DESCRIPTION

Kimley»Horn
 BRIAN A. GOOD, P.E.
 P.E. LICENSE NUMBER 56939
 445 24th STREET, SUITE 200
 VERO BEACH, FL 32960
 (772) 794-4100
 CERTIFICATE OF AUTHORIZATION# 00000696

**INDIAN RIVER COUNTY
 BOARD OF COUNTY COMMISSIONERS**
 66th AVENUE ROADWAY WIDENING -
 PHASE IB 49th STREET TO 69th STREET

**65th STREET
 EROSION CONTROL PLAN**

SHEET NO.
 213

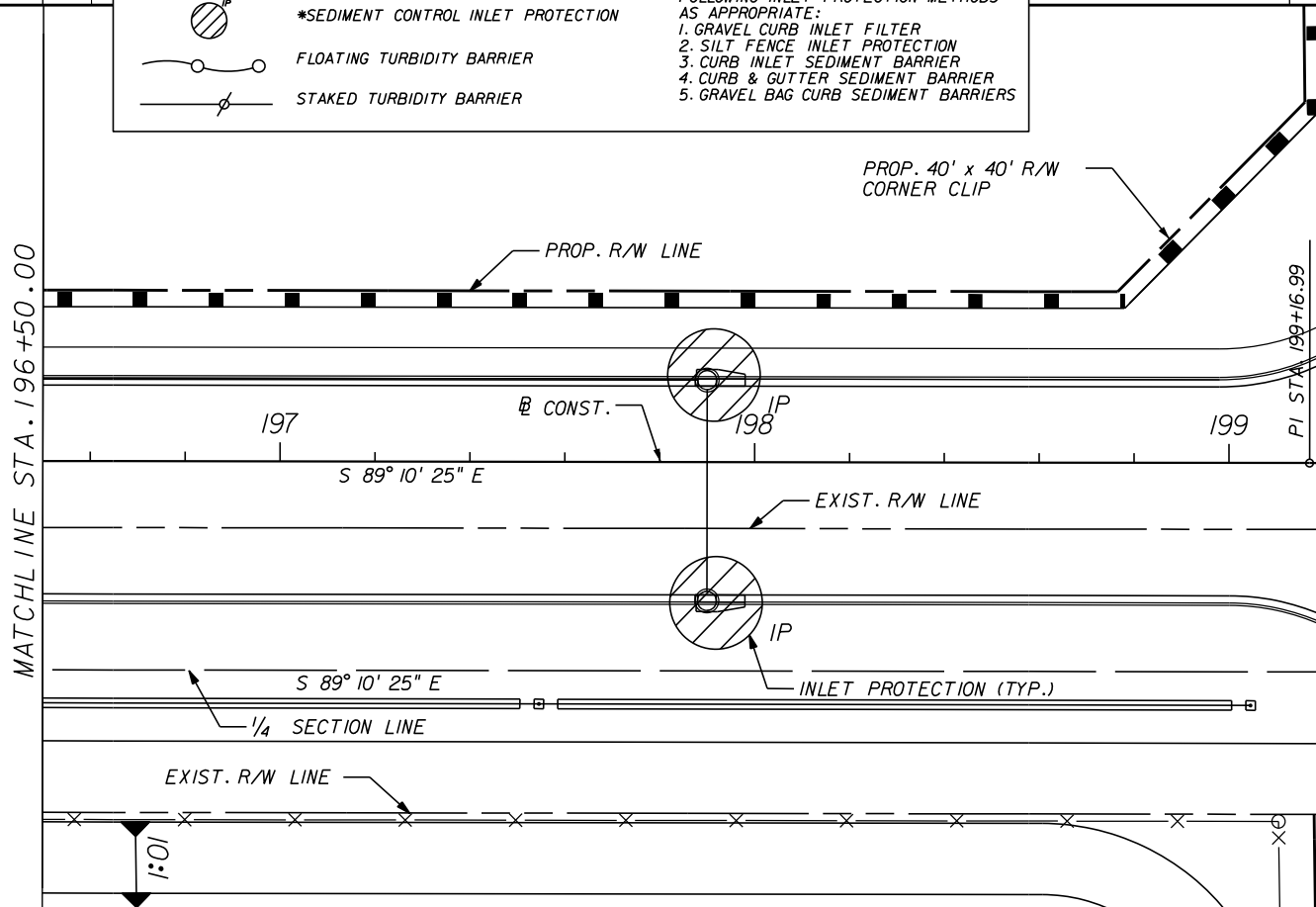


LEGEND:

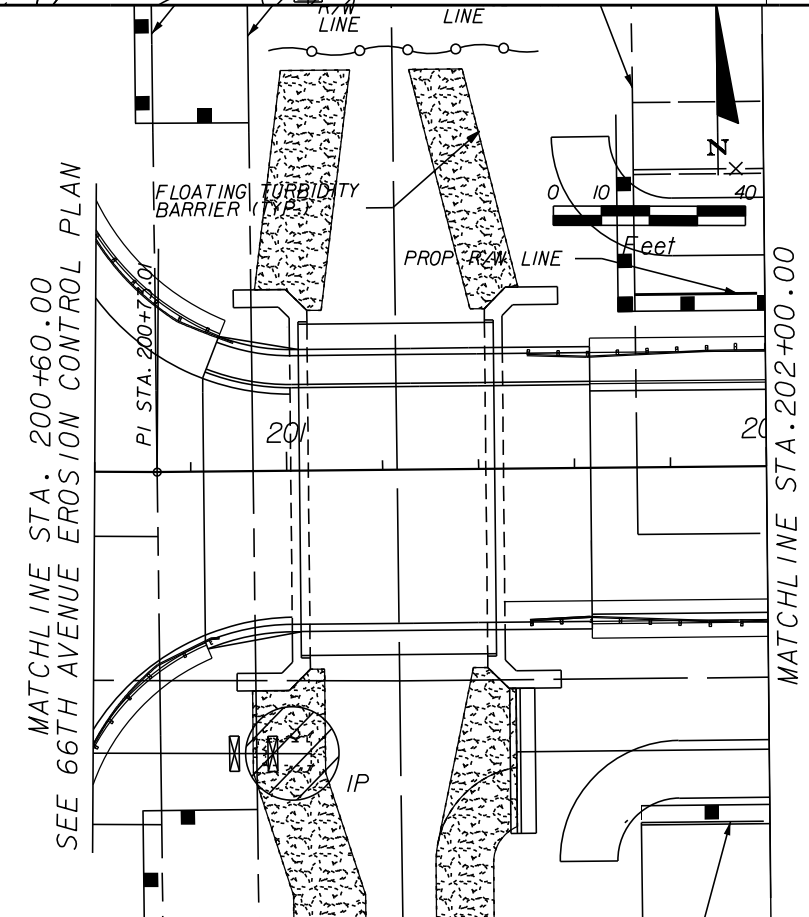
- SILT FENCE
- *SEDIMENT CONTROL INLET PROTECTION
- FLOATING TURBIDITY BARRIER
- STAKED TURBIDITY BARRIER

*THE CONTRACTOR MAY UTILIZE THE FOLLOWING INLET PROTECTION METHODS AS APPROPRIATE:

1. GRAVEL CURB INLET FILTER
2. SILT FENCE INLET PROTECTION
3. CURB INLET SEDIMENT BARRIER
4. CURB & GUTTER SEDIMENT BARRIER
5. GRAVEL BAG CURB SEDIMENT BARRIERS



SEE 66TH AVENUE EROSION CONTROL PLAN



REVISIONS			
DESCRIPTION	DATE	BY	DESCRIPTION

Kimley»Horn
 BRIAN A. GOOD, P.E.
 P.E. LICENSE NUMBER 56939
 445 24th STREET, SUITE 200
 VERO BEACH, FL 32960
 (772) 794-4100
 CERTIFICATE OF AUTHORIZATION# 00000696

INDIAN RIVER COUNTY BOARD OF COUNTY COMMISSIONERS
66th AVENUE ROADWAY WIDENING - PHASE IB 49th STREET TO 69th STREET

65th STREET EROSION CONTROL PLAN

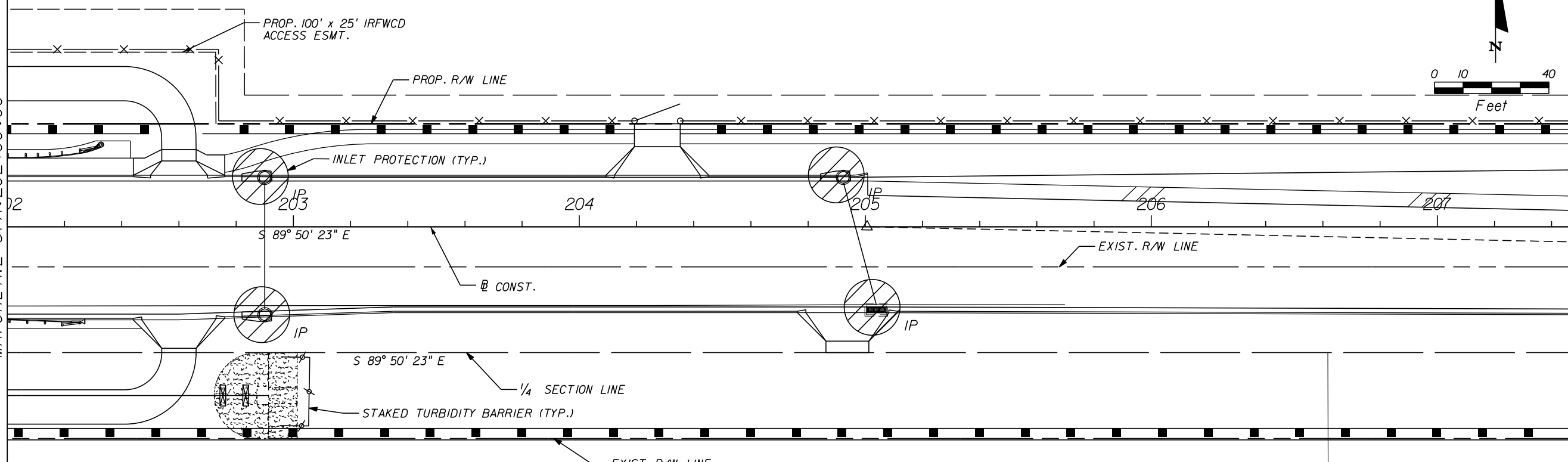
SHEET NO.
214

MATCHLINE STA. 202+00.00

MATCHLINE STA. 207+50.00

MATCHLINE STA. 207+50.00

MATCHLINE STA. 213+00.00

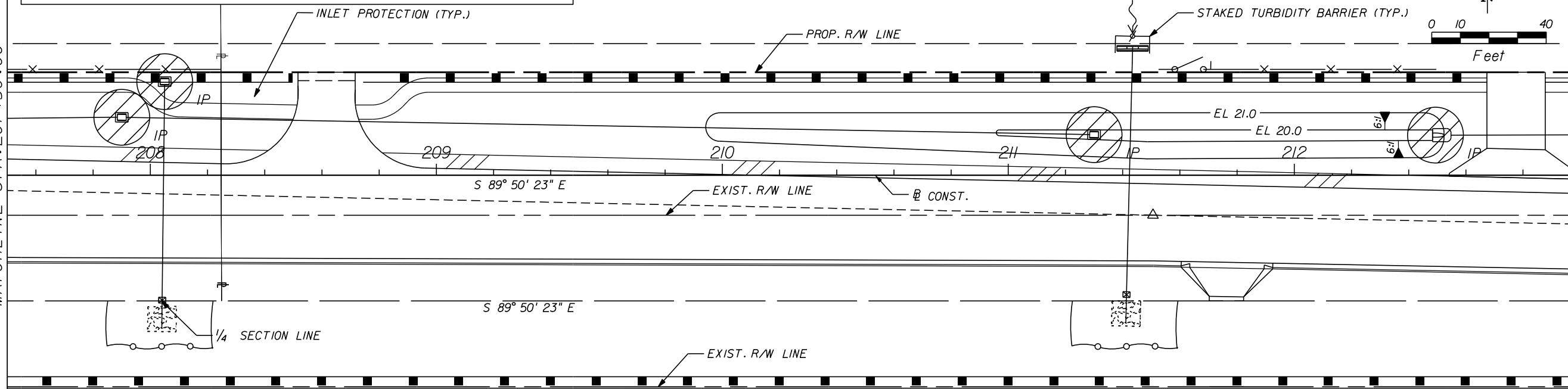


LEGEND:

- SILT FENCE
- *SEDIMENT CONTROL INLET PROTECTION
- FLOATING TURBIDITY BARRIER
- STAKED TURBIDITY BARRIER

*THE CONTRACTOR MAY UTILIZE THE FOLLOWING INLET PROTECTION METHODS AS APPROPRIATE:

1. GRAVEL CURB INLET FILTER
2. SILT FENCE INLET PROTECTION
3. CURB INLET SEDIMENT BARRIER
4. CURB & GUTTER SEDIMENT BARRIER
5. GRAVEL BAG CURB SEDIMENT BARRIERS



REVISIONS

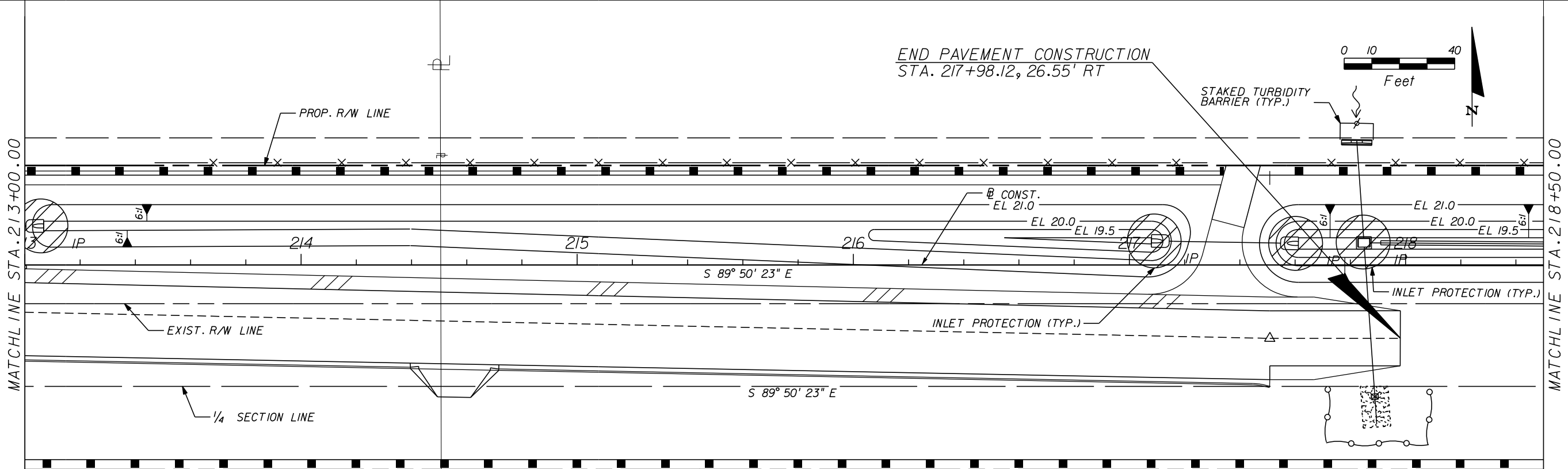
DESCRIPTION	DATE	BY	DESCRIPTION

Kimley»Horn
 BRIAN A. GOOD, P.E.
 P.E. LICENSE NUMBER 56939
 445 24th STREET, SUITE 200
 VERO BEACH, FL 32960
 (772) 794-4100
 CERTIFICATE OF AUTHORIZATION# 00000696

**INDIAN RIVER COUNTY
 BOARD OF COUNTY COMMISSIONERS**
 66th AVENUE ROADWAY WIDENING -
 PHASE IB 49th STREET TO 69th STREET

**65th STREET
 EROSION CONTROL PLAN**

SHEET NO.
 215

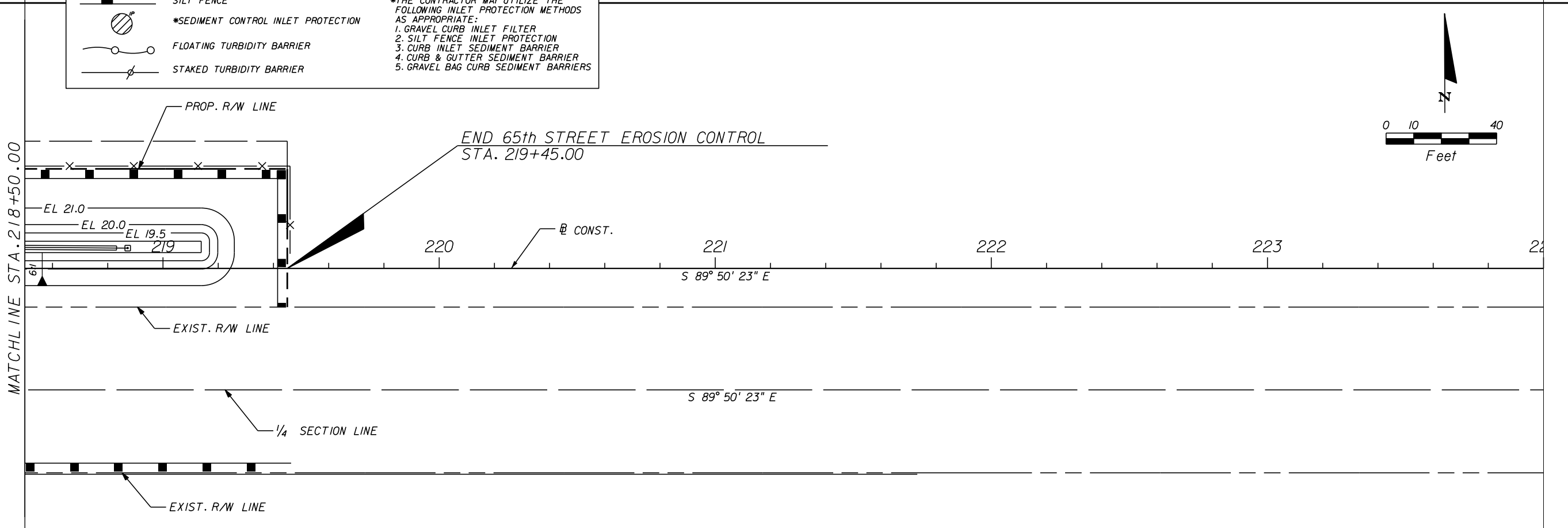


LEGEND:

- SILT FENCE
- *SEDIMENT CONTROL INLET PROTECTION
- FLOATING TURBIDITY BARRIER
- STAKED TURBIDITY BARRIER

*THE CONTRACTOR MAY UTILIZE THE FOLLOWING INLET PROTECTION METHODS AS APPROPRIATE:

1. GRAVEL CURB INLET FILTER
2. SILT FENCE INLET PROTECTION
3. CURB INLET SEDIMENT BARRIER
4. CURB & GUTTER SEDIMENT BARRIER
5. GRAVEL BAG CURB SEDIMENT BARRIERS



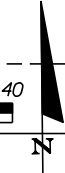
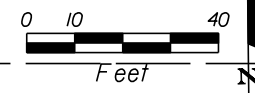
REVISIONS				
NO.	DESCRIPTION	DATE	BY	DESCRIPTION

Kimley»Horn
 BRIAN A. GOOD, P.E.
 P.E. LICENSE NUMBER 56939
 445 24th STREET, SUITE 200
 VERO BEACH, FL 32960
 (772) 794-4100
 CERTIFICATE OF AUTHORIZATION# 00000696

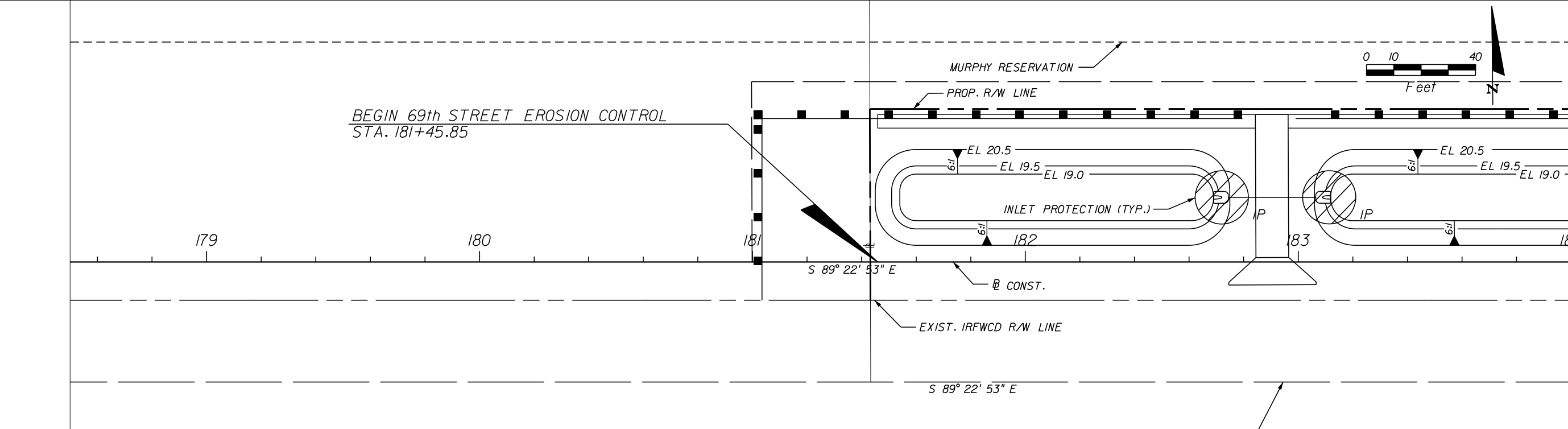
**INDIAN RIVER COUNTY
 BOARD OF COUNTY COMMISSIONERS**
 66th AVENUE ROADWAY WIDENING -
 PHASE IB 49th STREET TO 69th STREET

**65th STREET
 EROSION CONTROL PLAN**

SHEET NO.	216
-----------	-----



BEGIN 69th STREET EROSION CONTROL
STA. 181+45.85



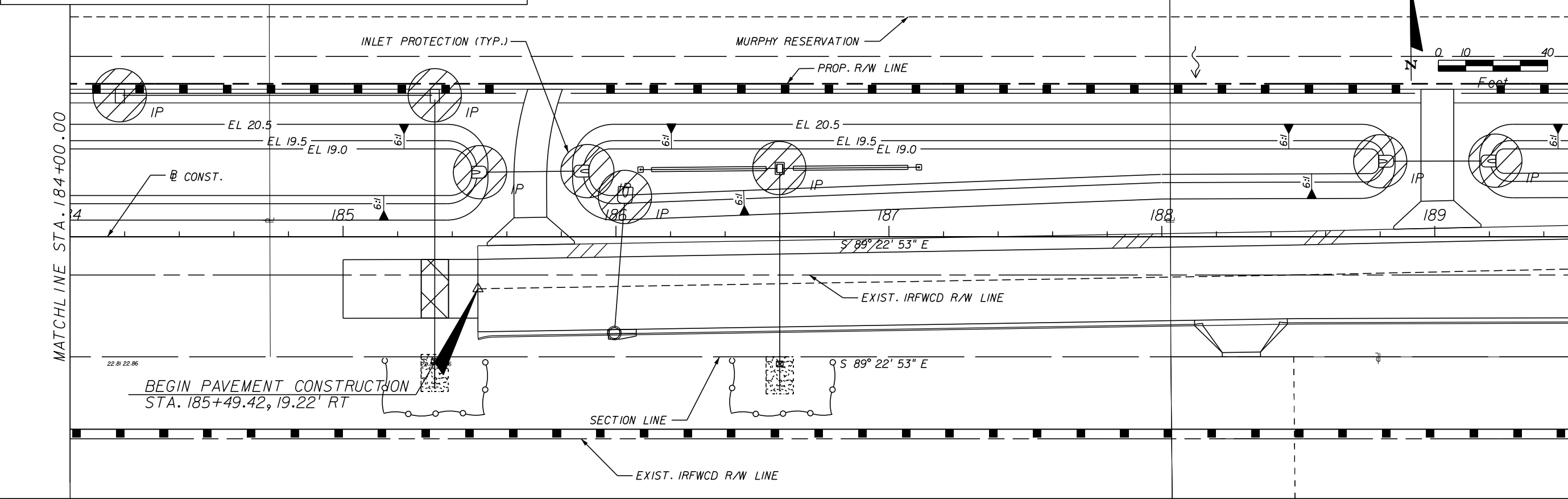
MATCHLINE STA. 184+00.00

LEGEND:

- SILT FENCE
- *SEDIMENT CONTROL INLET PROTECTION
- FLOATING TURBIDITY BARRIER
- STAKED TURBIDITY BARRIER

*THE CONTRACTOR MAY UTILIZE THE FOLLOWING INLET PROTECTION METHODS AS APPROPRIATE:

1. GRAVEL CURB INLET FILTER
2. SILT FENCE INLET PROTECTION
3. CURB INLET SEDIMENT BARRIER
4. CURB & GUTTER SEDIMENT BARRIERS
5. GRAVEL BAG CURB SEDIMENT BARRIERS



MATCHLINE STA. 189+50.00

BEGIN PAVEMENT CONSTRUCTION
STA. 185+49.42, 19.22' RT

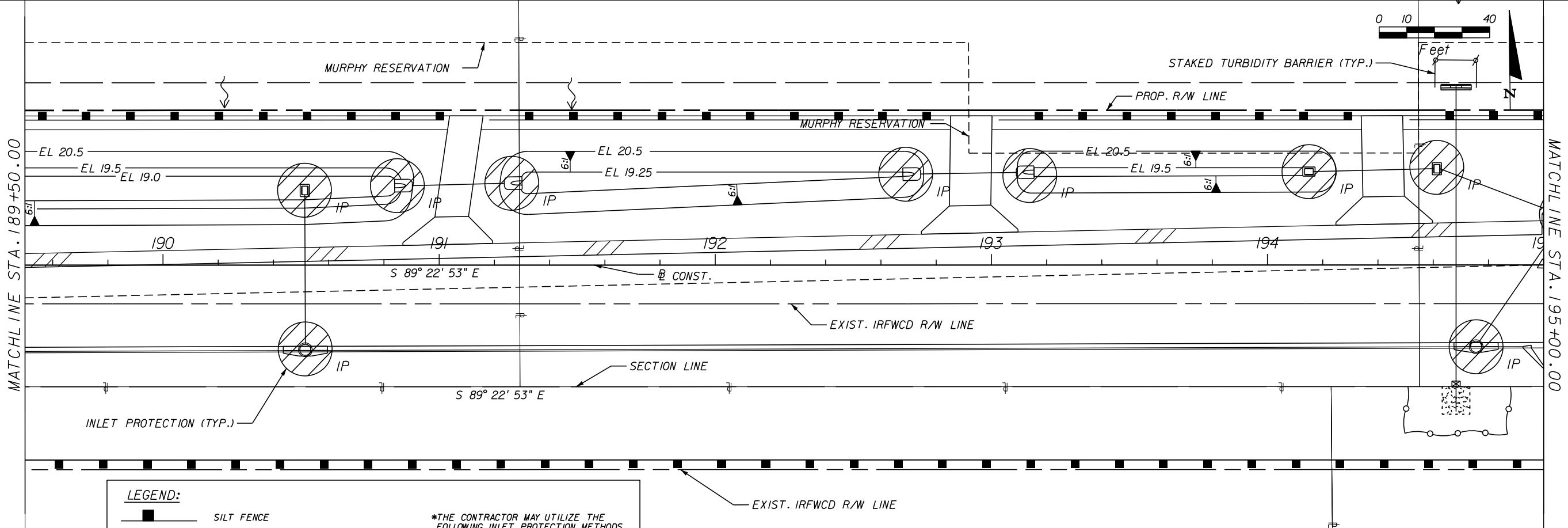
REVISIONS				
NO.	DESCRIPTION	DATE	BY	DESCRIPTION

Kimley»Horn
 BRIAN A. GOOD, P.E.
 P.E. LICENSE NUMBER 56939
 445 24th STREET, SUITE 200
 VERO BEACH, FL 32960
 (772) 794-4100
 CERTIFICATE OF AUTHORIZATION# 00000696

**INDIAN RIVER COUNTY
 BOARD OF COUNTY COMMISSIONERS**
 66th AVENUE ROADWAY WIDENING -
 PHASE IB 49th STREET TO 69th STREET

**69th STREET
 EROSION CONTROL PLAN**

SHEET NO.
 217

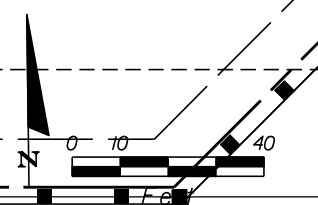
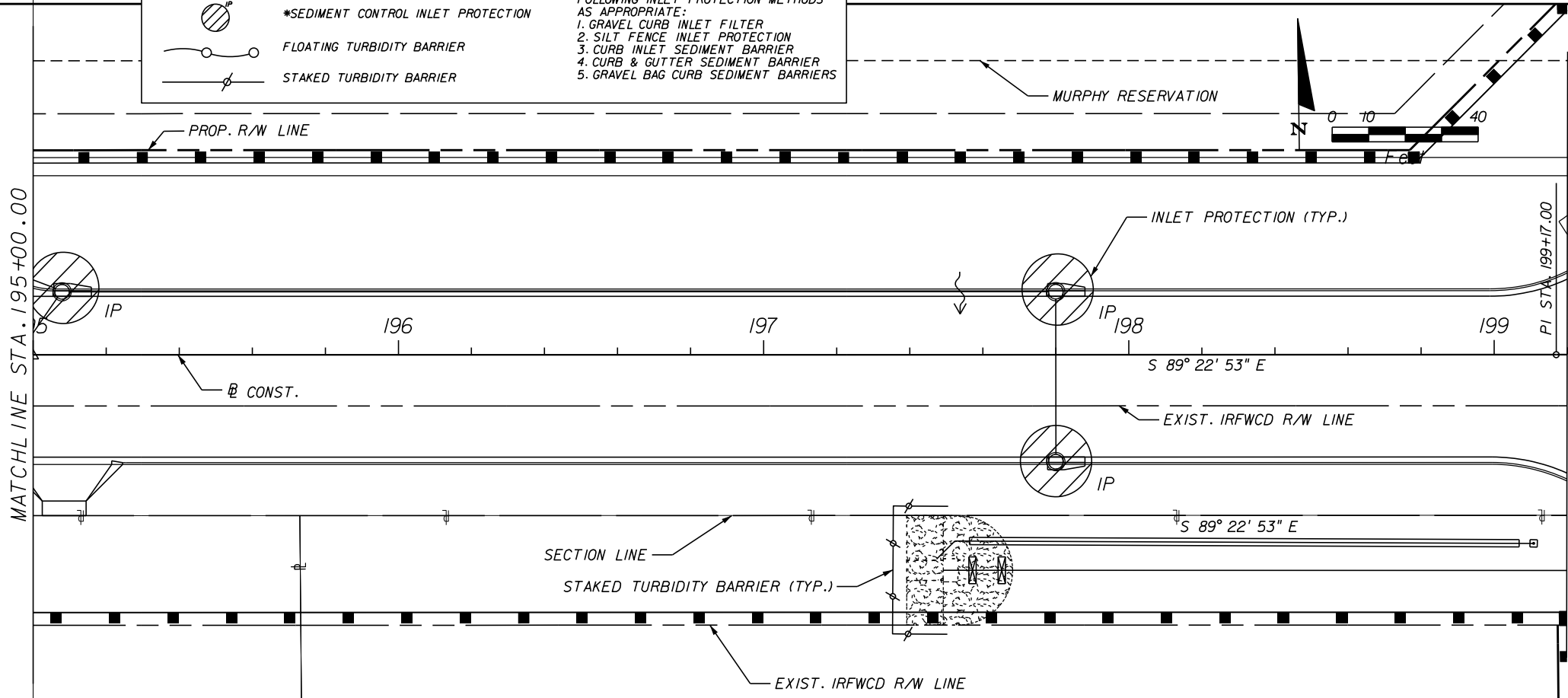


LEGEND:

- SILT FENCE
- *SEDIMENT CONTROL INLET PROTECTION
- FLOATING TURBIDITY BARRIER
- STAKED TURBIDITY BARRIER

*THE CONTRACTOR MAY UTILIZE THE FOLLOWING INLET PROTECTION METHODS AS APPROPRIATE:

1. GRAVEL CURB INLET FILTER
2. SILT FENCE INLET PROTECTION
3. CURB INLET SEDIMENT BARRIER
4. CURB & GUTTER SEDIMENT BARRIER
5. GRAVEL BAG CURB SEDIMENT BARRIERS



SEE 66TH AVENUE EROSION CONTROL PLANS

REVISIONS				
NO.	DESCRIPTION	DATE	BY	DESCRIPTION

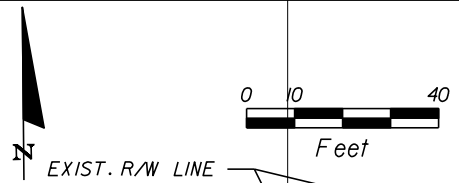
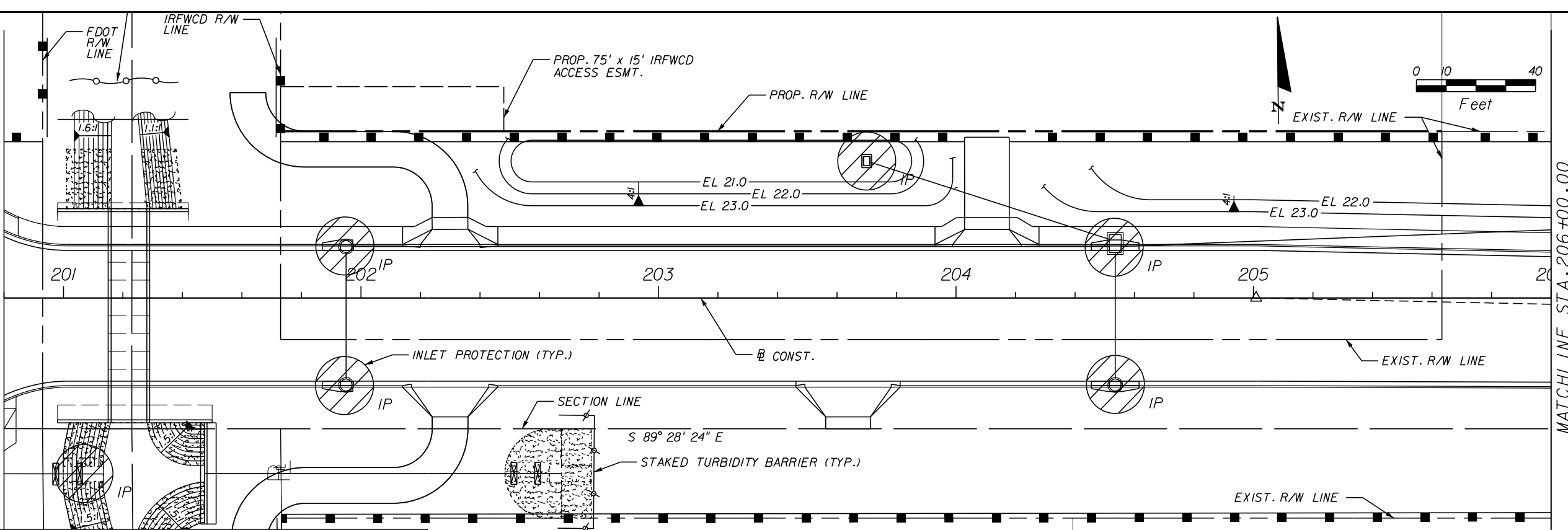
Kimley»Horn
 BRIAN A. GOOD, P.E.
 P.E. LICENSE NUMBER 56939
 445 24th STREET, SUITE 200
 VERO BEACH, FL 32960
 (772) 794-4100
 CERTIFICATE OF AUTHORIZATION# 00000696

**INDIAN RIVER COUNTY
 BOARD OF COUNTY COMMISSIONERS**
 66th AVENUE ROADWAY WIDENING -
 PHASE IB 49th STREET TO 69th STREET

**69th STREET
 EROSION CONTROL PLAN**

SHEET NO.	218
-----------	-----

MATCHLINE STA. 200+80.00
SEE 66TH AVENUE EROSION CONTROL PLANS



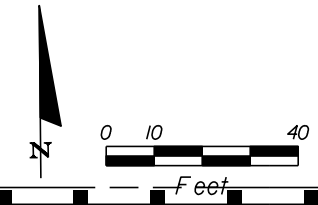
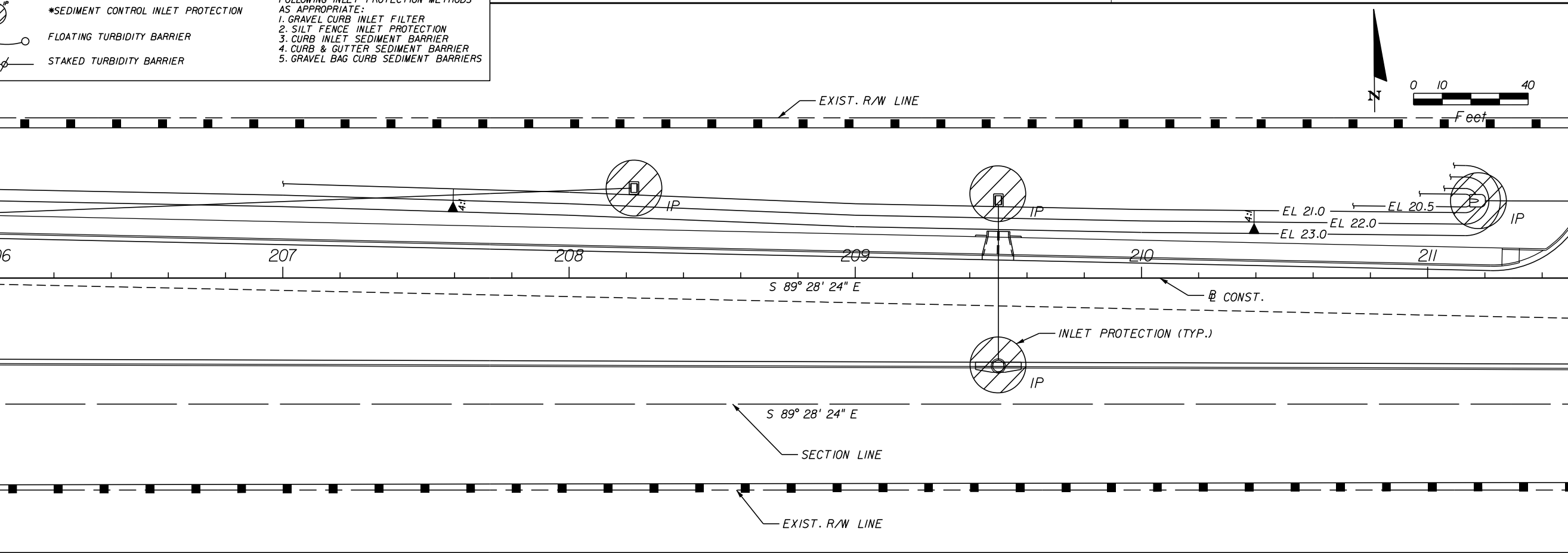
LEGEND:

- SILT FENCE
- *SEDIMENT CONTROL INLET PROTECTION
- FLOATING TURBIDITY BARRIER
- STAKED TURBIDITY BARRIER

*THE CONTRACTOR MAY UTILIZE THE FOLLOWING INLET PROTECTION METHODS AS APPROPRIATE:

1. GRAVEL CURB INLET FILTER
2. SILT FENCE INLET PROTECTION
3. CURB INLET SEDIMENT BARRIER
4. CURB & GUTTER SEDIMENT BARRIER
5. GRAVEL BAG CURB SEDIMENT BARRIERS

MATCHLINE STA. 206+00.00



MATCHLINE STA. 206+00.00

MATCHLINE STA. 211+50.00

REVISIONS			
NO.	DESCRIPTION	DATE	BY

Kimley»Horn
 BRIAN A. GOOD, P.E.
 P.E. LICENSE NUMBER 56939
 445 24th STREET, SUITE 200
 VERO BEACH, FL 32960
 (772) 794-4100
 CERTIFICATE OF AUTHORIZATION# 00000696

**INDIAN RIVER COUNTY
 BOARD OF COUNTY COMMISSIONERS**
 66th AVENUE ROADWAY WIDENING -
 PHASE IB 49th STREET TO 69th STREET

**69th STREET
 EROSION CONTROL PLAN**

SHEET NO.
219

THE OFFICIAL RECORD OF THIS SHEET IS THE ELECTRONIC FILE DIGITALLY SIGNED AND SEALED UNDER RULE 61G15-23.004, F.A.C.

1505

IRCO Proj. No.

MATCHLINE STA. 211+50.00

END PAVEMENT CONSTRUCTION
STA. 214+01.01, 18.54' RT



EXIST. R/W LINE

INLET PROTECTION (TYP.)

INLET PROTECTION (TYP.)

SECTION LINE

EXIST. R/W LINE

EL 20.0 EL 19.5

CONST.

EL 19.5 EL 20.0

EL 21.0

EL 22.0

S 89° 28' 24" E

S 89° 28' 24" E

LEGEND:

- SILT FENCE
- *SEDIMENT CONTROL INLET PROTECTION
- FLOATING TURBIDITY BARRIER
- STAKED TURBIDITY BARRIER

***THE CONTRACTOR MAY UTILIZE THE FOLLOWING INLET PROTECTION METHODS AS APPROPRIATE:**

1. GRAVEL CURB INLET FILTER
2. SILT FENCE INLET PROTECTION
3. CURB INLET SEDIMENT BARRIER
4. CURB & GUTTER SEDIMENT BARRIER
5. GRAVEL BAG CURB SEDIMENT BARRIERS

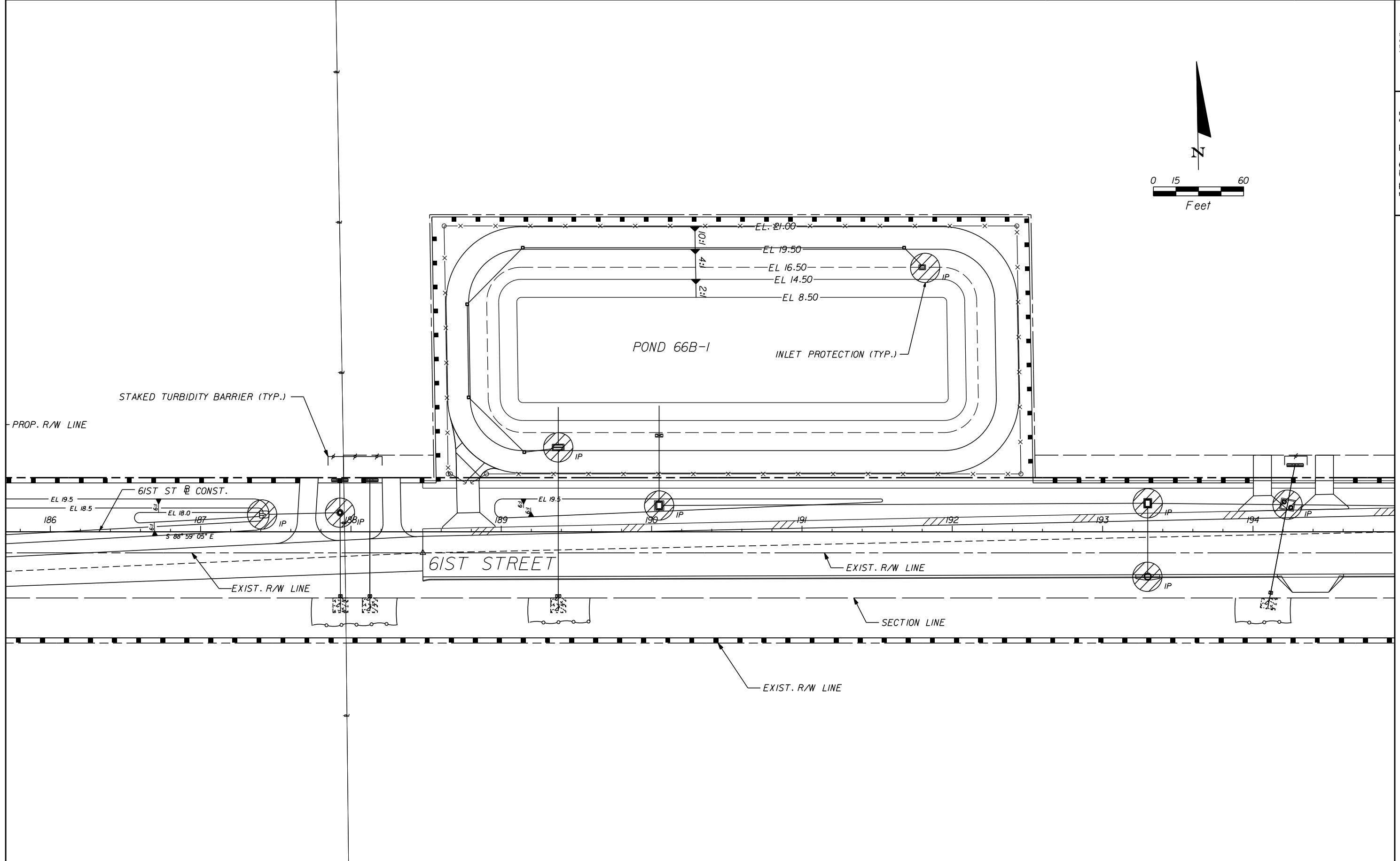
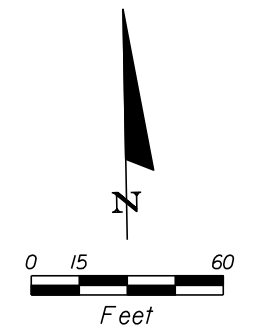
REVISIONS				
NO.	DESCRIPTION	DATE	BY	DESCRIPTION

Kimley»Horn
 BRIAN A. GOOD, P.E.
 P.E. LICENSE NUMBER 56939
 445 24th STREET, SUITE 200
 VERO BEACH, FL 32960
 (772) 794-4100
 CERTIFICATE OF AUTHORIZATION# 00000696

**INDIAN RIVER COUNTY
 BOARD OF COUNTY COMMISSIONERS**
 66th AVENUE ROADWAY WIDENING -
 PHASE IB 49th STREET TO 69th STREET

**69th STREET
 EROSION CONTROL PLAN**

SHEET NO.
 219A



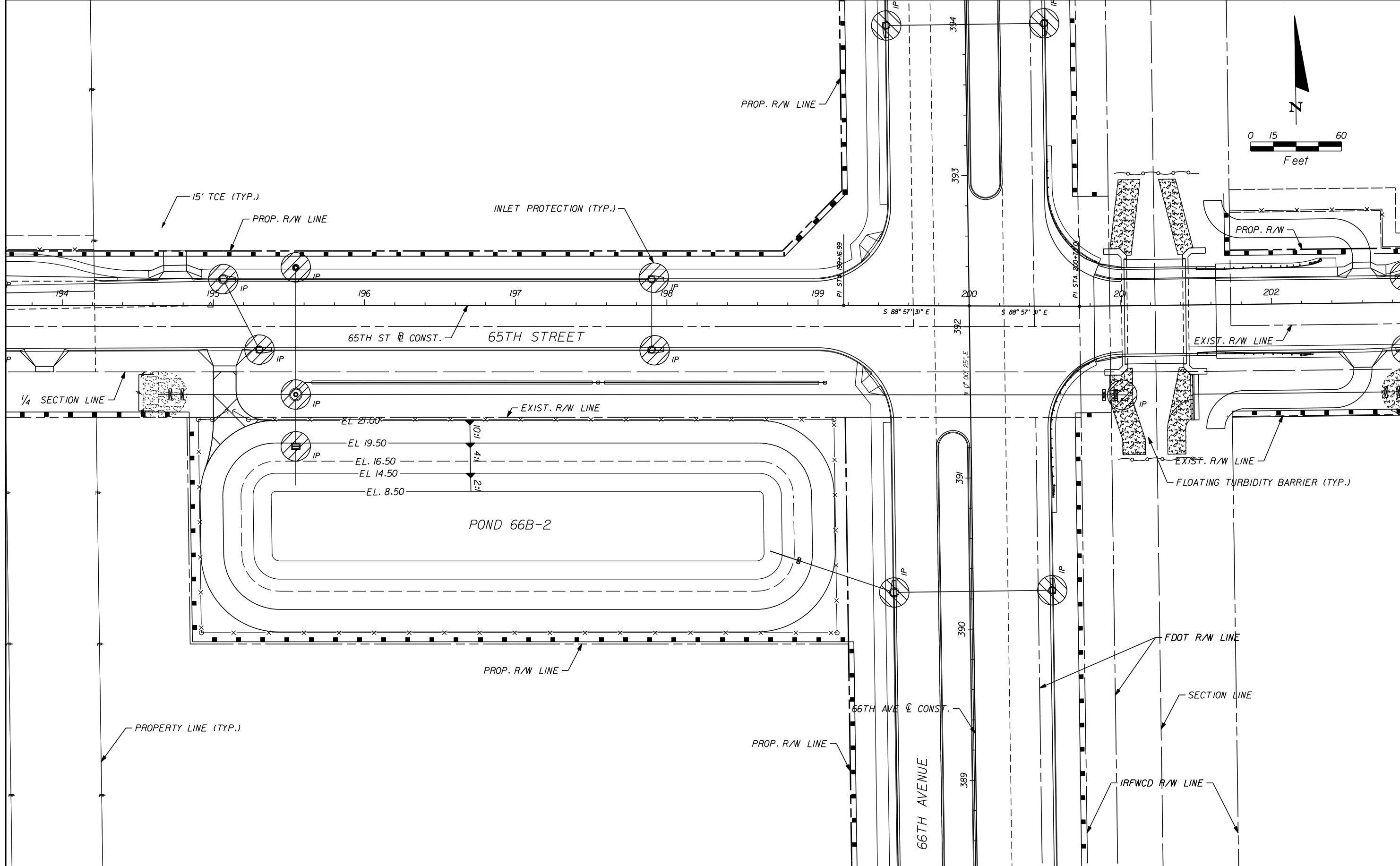
REVISIONS				
NO.	DESCRIPTION	DATE	BY	DESCRIPTION

Kimley»Horn
 BRIAN A. GOOD, P.E.
 P.E. LICENSE NUMBER 56939
 445 24th STREET, SUITE 200
 VERO BEACH, FL 32960
 (772) 794-4100
 CERTIFICATE OF AUTHORIZATION# 00000696

**INDIAN RIVER COUNTY
 BOARD OF COUNTY COMMISSIONERS**
**66th AVENUE ROADWAY WIDENING -
 PHASE IB 49th STREET TO 69th STREET**

**POND 66B-1
 EROSION CONTROL PLAN**

SHEET NO.
 220



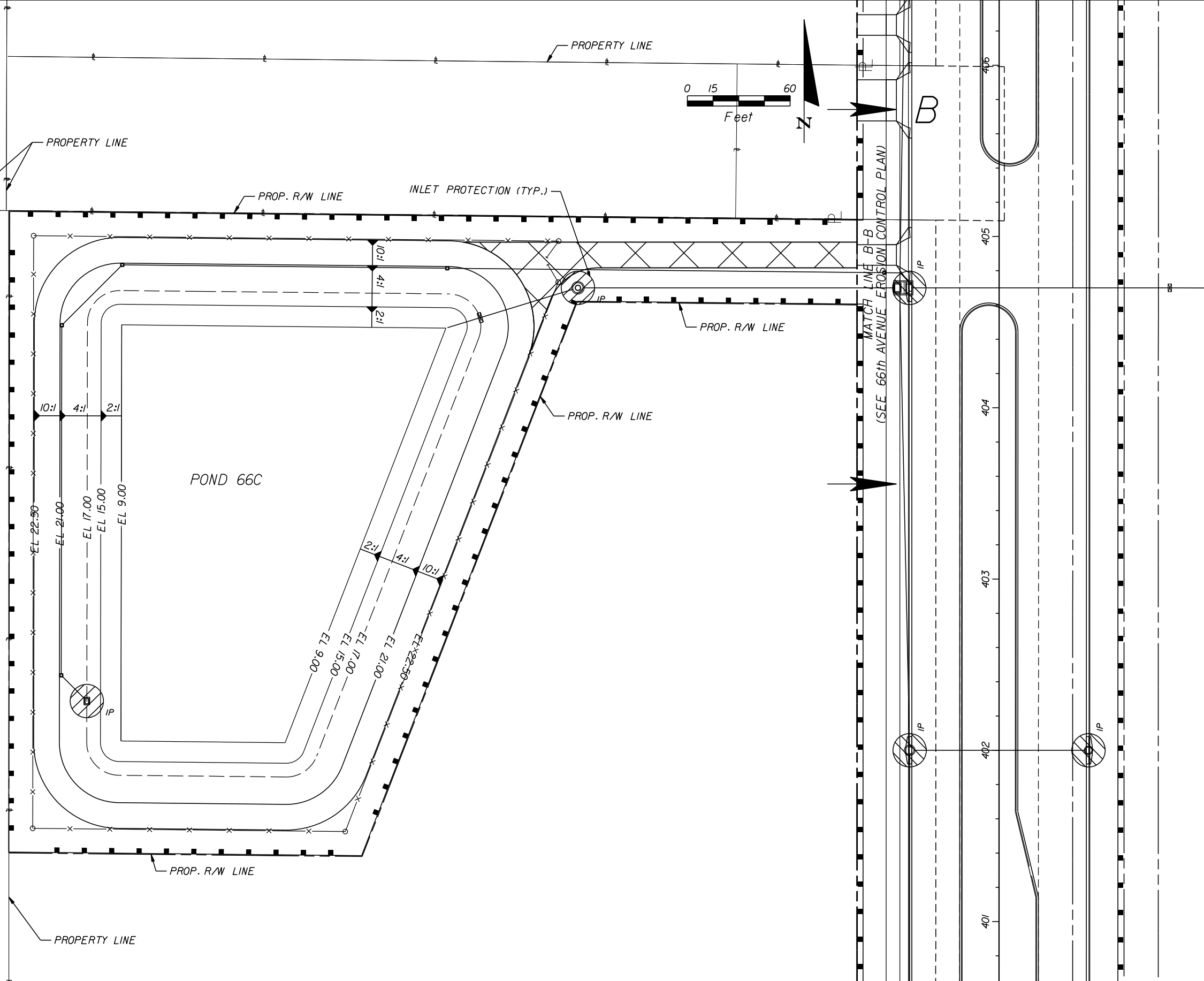
REVISIONS				
NO.	DESCRIPTION	DATE	BY	DESCRIPTION

Kimley»Horn
BRIAN A. GOOD, P.E.
 P.E. LICENSE NUMBER 56939
 445 24th STREET, SUITE 200
 VERO BEACH, FL 32960
 (772) 794-4100
 CERTIFICATE OF AUTHORIZATION# 00000696

**INDIAN RIVER COUNTY
 BOARD OF COUNTY COMMISSIONERS**
**66th AVENUE ROADWAY WIDENING -
 PHASE IB 49th STREET TO 69th STREET**

**POND 66B-2
 EROSION CONTROL PLAN**

SHEET NO.
 220A



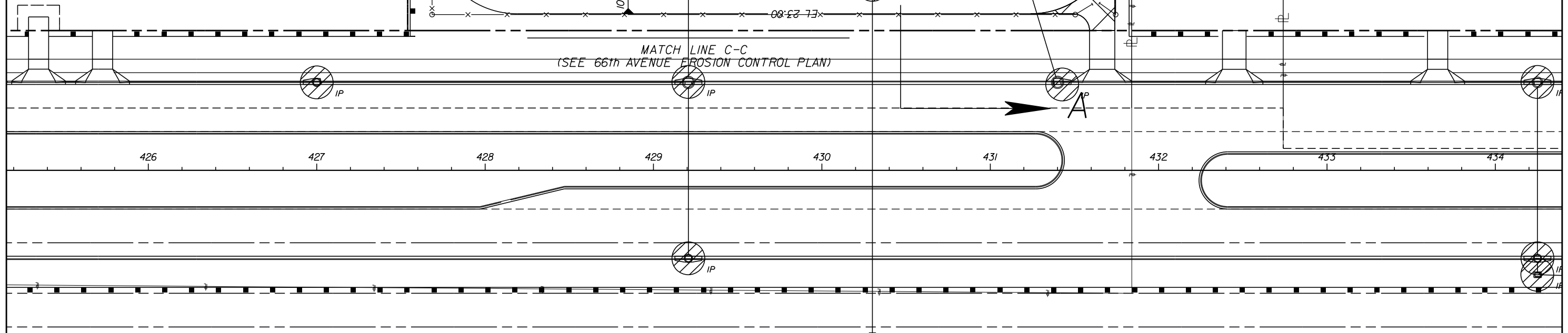
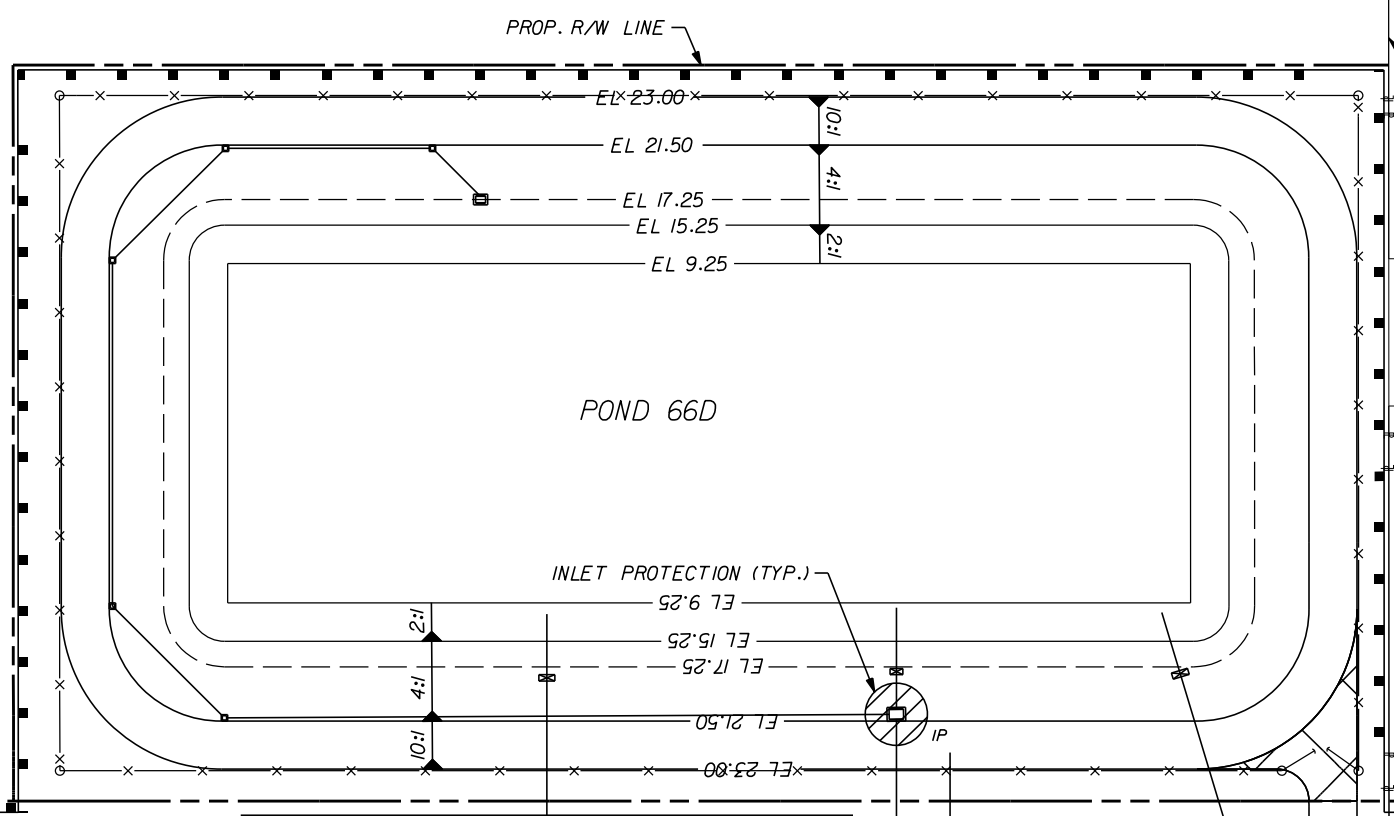
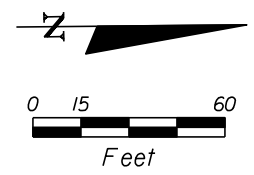
REVISIONS			
DESCRIPTION	DATE	BY	DESCRIPTION

Kimley»Horn
 BRIAN A. GOOD, P.E.
 P.E. LICENSE NUMBER 56939
 445 24th STREET, SUITE 200
 VERO BEACH, FL 32960
 (772) 794-4100
 CERTIFICATE OF AUTHORIZATION# 00000696

**INDIAN RIVER COUNTY
 BOARD OF COUNTY COMMISSIONERS**
**66th AVENUE ROADWAY WIDENING -
 PHASE IB 49th STREET TO 69th STREET**

**POND 66C
 EROSION CONTROL PLAN**

SHEET NO.	221
-----------	-----



REVISIONS				
NO.	DESCRIPTION	DATE	BY	DESCRIPTION

Kimley»Horn
 BRIAN A. GOOD, P.E.
 P.E. LICENSE NUMBER 56939
 445 24th STREET, SUITE 200
 VERO BEACH, FL 32960
 (772) 794-4100
 CERTIFICATE OF AUTHORIZATION# 00000696

**INDIAN RIVER COUNTY
 BOARD OF COUNTY COMMISSIONERS**
**66th AVENUE ROADWAY WIDENING -
 PHASE IB 49th STREET TO 69th STREET**

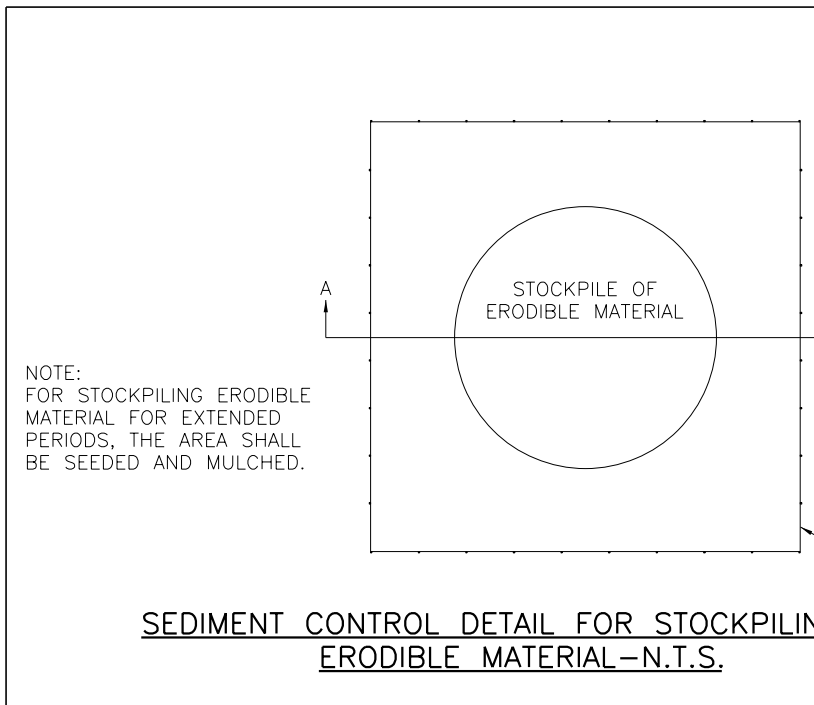
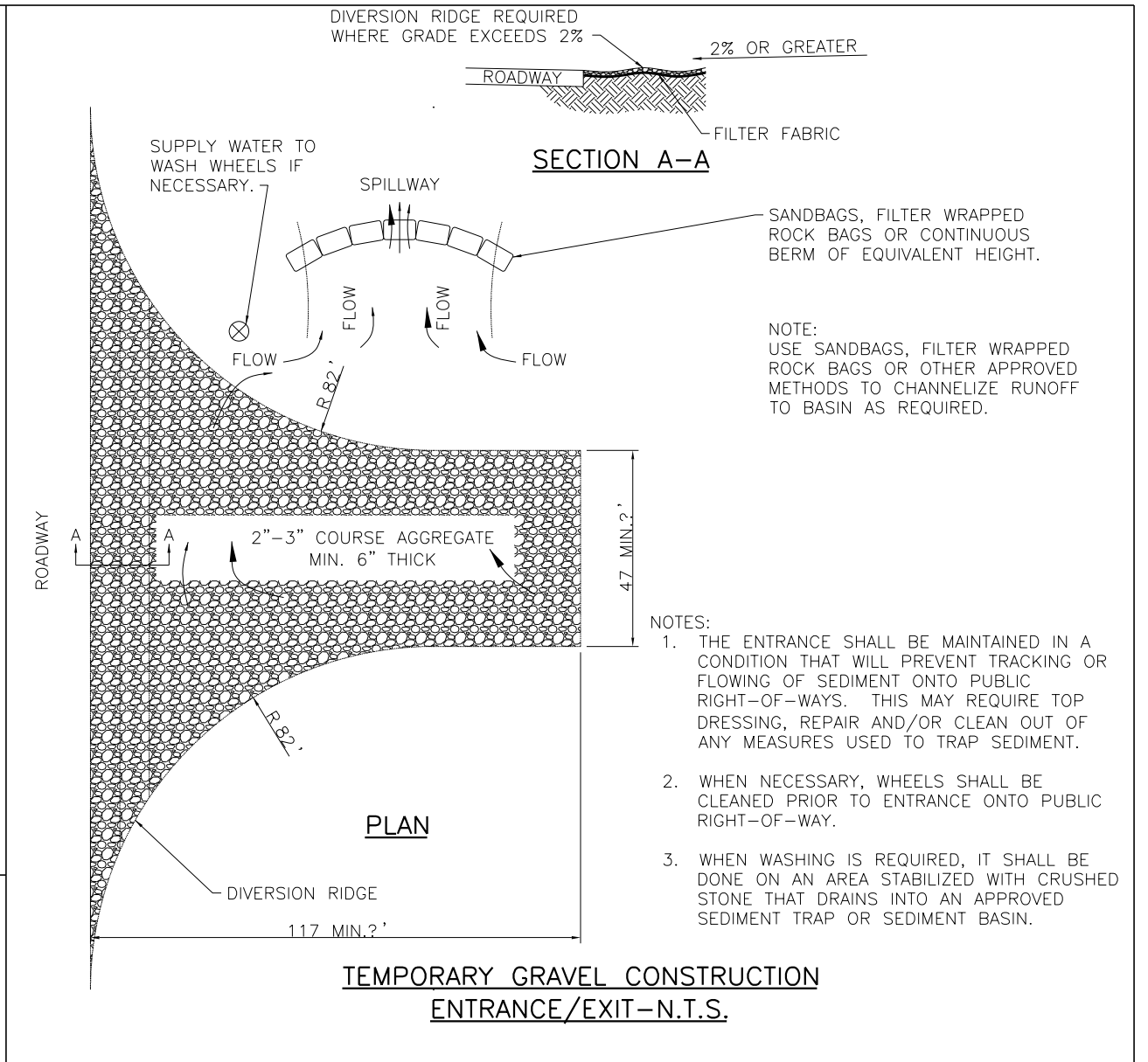
**POND 66D
 EROSION CONTROL PLAN**

SHEET NO.
 222

EROSION CONTROL NOTES

- Sediment basins and traps, perimeter dikes, sediment barriers and other measures intended to trap sediment shall be constructed as a first step in any land disturbing activity and shall be made functional before up-slope land disturbance takes place.
- All sediment control measures are to be adjusted to meet field conditions at the time of construction and be constructed prior to any grading or disturbance of existing surface material on balance of site. Perimeter sediment barriers shall be constructed to prevent sediment or trash from flowing or floating on to adjacent properties.
- Permanent or temporary soil stabilization shall be applied to denuded areas within seven (7) days after final grade is reached on any portion of the site. Temporary soil stabilization shall be applied within seven (7) days to denuded areas that may not be at final grade but will remain undisturbed for longer than 30 days. Permanent stabilization shall be applied to areas that are to be left undisturbed for more than one year.
- During construction of the project, soil stock piles shall be stabilized, covered or contained with sediment trapping measures. The applicant is responsible for the temporary protection and permanent stabilization of all soil stockpiles on site as well as soil intentionally transported from the project site.
- A permanent vegetative cover shall be established on denuded areas not otherwise permanently stabilized.
- After any significant rainfall, sediment control structures will be inspected for integrity. Any damaged devices shall be corrected immediately.
- Concentrated runoff shall not flow down cut or fill slopes unless contained within an adequate temporary or permanent channel, flume, slope drain structure or approved control.
- Sediment will be prevented from entering any storm water system, ditch or channel. All storm water inlets that are made operable during construction shall be protected so that sediment-laden water cannot enter the conveyance system without first being filtered or otherwise treated to remove sediment.
- When work in a live watercourse is performed, precautions shall be taken to minimize encroachment, control sediment transport and stabilize the work area to the greatest extent possible during construction.
- Periodic inspection and maintenance of all sediment control structures must be provided to ensure intended purpose is accomplished. The developer, owner and/or contractor shall be continually responsible for all sediment controls. Sediment control measures shall be in working condition at the end of each working day.
- Where construction vehicle access routes intersect paved public roads, provisions shall be made to minimize the transport of sediment by tracking onto the paved surface. Where sediment is transported onto a public road surface with curbs and gutters, the road shall be cleaned thoroughly at the end of each day. Sediment shall be removed from the roads by shoveling or sweeping and transported to a sediment control disposal area. Street washing shall be allowed only after sediment is removed in this manner. This provision shall apply to individual subdivision lots as well as to larger land disturbing activities.
- All temporary erosion and sediment control measures shall be removed within 30 days after final site stabilization or after the temporary measures are no longer needed.
- Properties and waterways downstream from construction sites shall be protected from sediment deposition and erosion at all times during construction.

- Erosion control design and construction shall follow the applicable requirements of the "State of Florida Erosion and Sediment Control Designer and Reviewer Manual", Latest Update: July 2013", or current edition and as may be modified by the Project Engineer of Record via a signed and sealed drawing and as required by Indian River County permits and other regulatory agency permits.
- Contractor is responsible for all surface water discharges, rainfall run off or dewatering activities.
- Contractor must incorporate all BMP's necessary to meet or exceed state water quality and SWPPP requirements.
- The Pollution Prevention Plan is a minimum guideline only. Additional BMP's may be necessary at contractor's expense.
- NOI to be posted on site.
- Dewatering activities:
 - Discharge must not exceed state water quality standards.
 - Contractor must have a transferable SJRWMD Consumptive Use permit known as a "Noticed General Permit For Short Term Construction De-Watering".
 - No hydraulic pumps may be used for dewatering unless approved By the water management district for that area.
 - No turbid discharge. Turbidity readings are required once a week and must be reported to the project Engineer.
- Failure to develop and implement a certified stormwater pollution prevention plan shall be deemed a violation of the permit and the permittee shall be subject to enforcement action. The plan shall be completed prior to the submittal of an NOI (Notice of Intent) to be covered under the permit and updated as appropriate. The plan shall also provide for compliance with the terms and schedule of the plan beginning with the initiation of the construction activities.



NOTE

- THIS PLAN SHEET SHALL NOT BE CONSIDERED A SWPPP (STORMWATER POLLUTION PREVENTION PLAN) BUT IS A PLAN REPRESENTATIVE OF THE MINIMUM REQUIRED BMP'S (BEST MANAGEMENT PRACTICES).
- THE SWPPP SHALL BE COMPLETED PRIOR TO THE SUBMITTAL OF THE NOTICE OF INTENT (NOI) TO BE COVERED UNDER THE DEPARTMENT'S GENERIC PERMIT FOR STORMWATER DISCHARGE FROM LARGE AND SMALL CONSTRUCTION ACTIVITIES.

REVISIONS				
NO.	DESCRIPTION	DATE	BY	DESCRIPTION

Kimley»Horn

BRIAN A. GOOD, P.E.
 P.E. LICENSE NUMBER 56939
 445 24th STREET, SUITE 200
 VERO BEACH, FL 32960
 (772) 794-4100
 CERTIFICATE OF AUTHORIZATION# 00000696

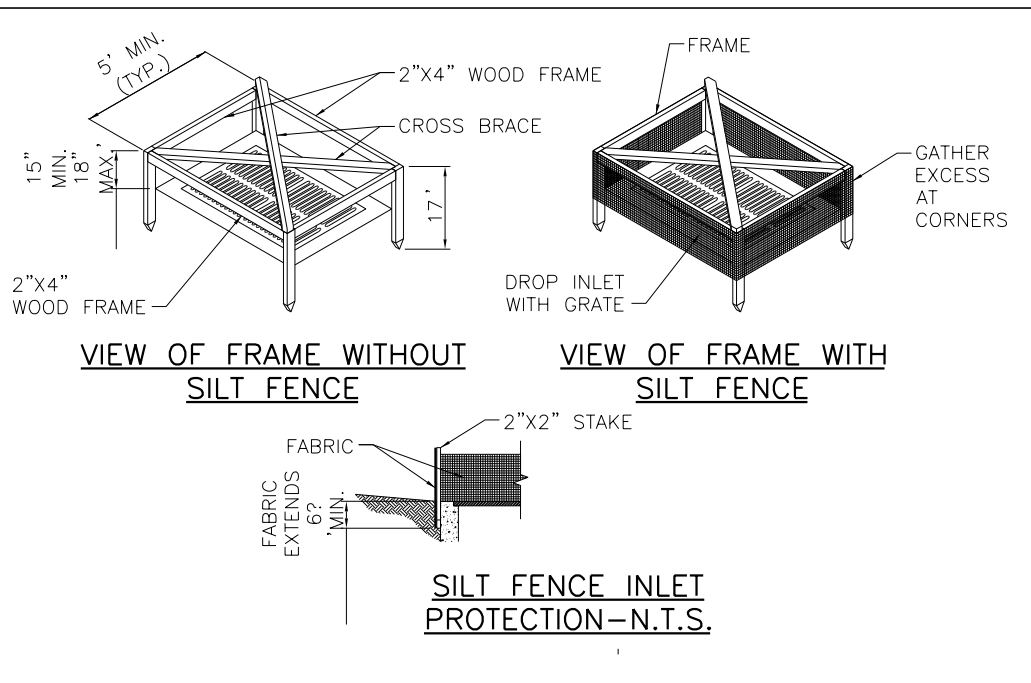
INDIAN RIVER COUNTY BOARD OF COUNTY COMMISSIONERS

66th AVENUE ROADWAY WIDENING - PHASE I 49th STREET TO 69th STREET

INDIAN RIVER COUNTY EROSION CONTROL DETAILS

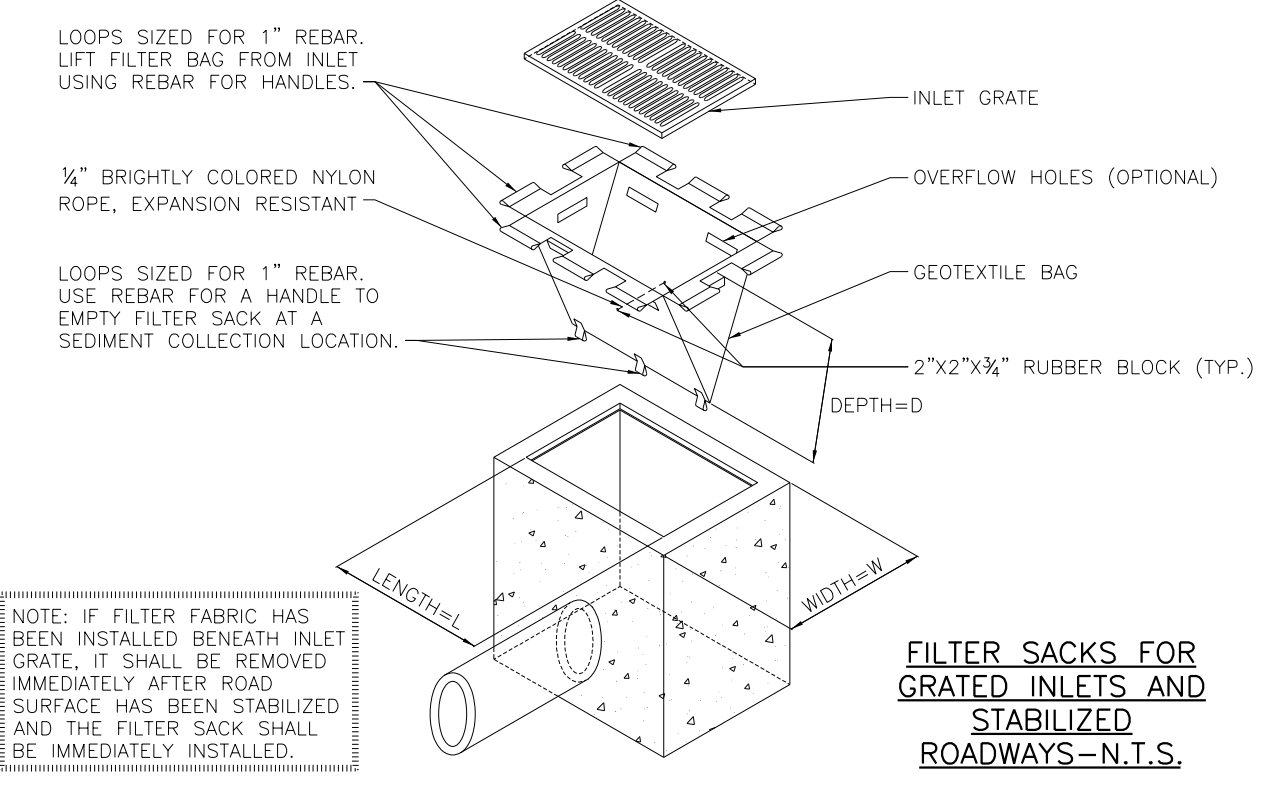
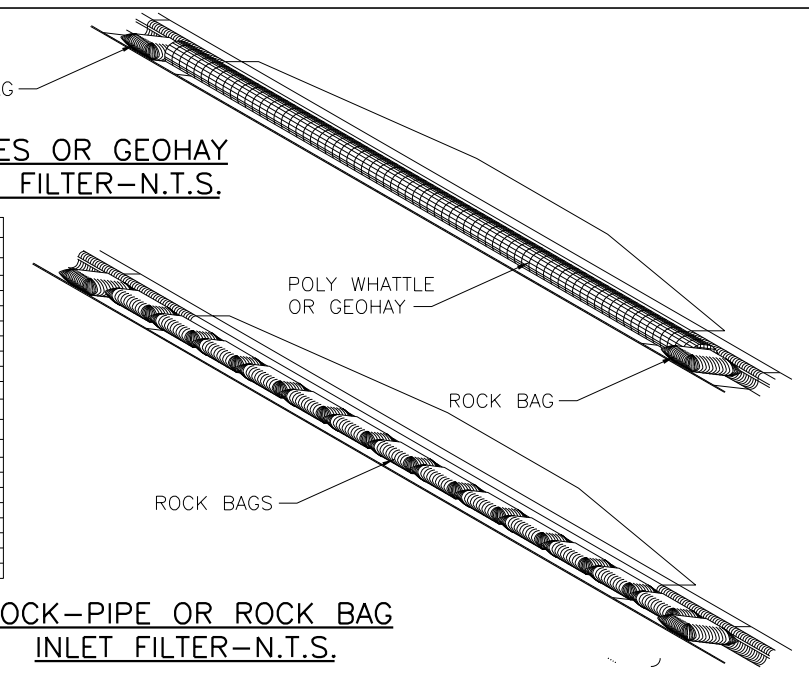
SHEET NO. 223

1505 I.R.CO. Proj. No. THE OFFICIAL RECORD OF THIS SHEET IS THE ELECTRONIC FILE DIGITALLY SIGNED AND SEALED UNDER RULE 61G15-23.004, F.A.C.



LOW TO MODERATE FLOW GEOTEXTILE FABRIC SPECIFICATION TABLE		
PROPERTIES	TEST METHOD	UNITS
GRAB TENSILE STRENGTH	ASTM D-4632	300 LBS.
GRAB TENSILE ELONGATION	ASTM D-4632	20%
PUNCTURE	ASTM D-4833	120 LBS.
MULLEN BURST	ASTM D-3786	800 P.S.I.
TRAPEZOID TEAR	ASTM D-4533	120 LBS.
UV RESISTANCE	ASTM D-4355	80%
APPARENT OPENING SIZE	ASTM D-4751	40 US SIEVE
FLOW RATE	ASTM D-4491	40 GAL./MIN./SQ. FT.
PERMITTIVITY	ASTM D-4491	0.55 SEC. -1
MODERATE TO HIGH FLOW GEOTEXTILE FABRIC SPECIFICATION TABLE		
PROPERTIES	TEST METHOD	UNITS
GRAB TENSILE STRENGTH	ASTM D-4632	265 LBS.
GRAB TENSILE ELONGATION	ASTM D-4632	20%
PUNCTURE	ASTM D-4833	135 LBS.
MULLEN BURST	ASTM D-3786	420 P.S.I.
TRAPEZOID TEAR	ASTM D-4533	45 LBS.
UV RESISTANCE	ASTM D-4355	90%
APPARENT OPENING SIZE	ASTM D-4751	20 US SIEVE
FLOW RATE	ASTM D-4491	200 GAL./MIN./SQ. FT.
PERMITTIVITY	ASTM D-4491	1.5 SEC. -1

POLY WHATTLES OR GEOHAY CURB INLET FILTER-N.T.S.

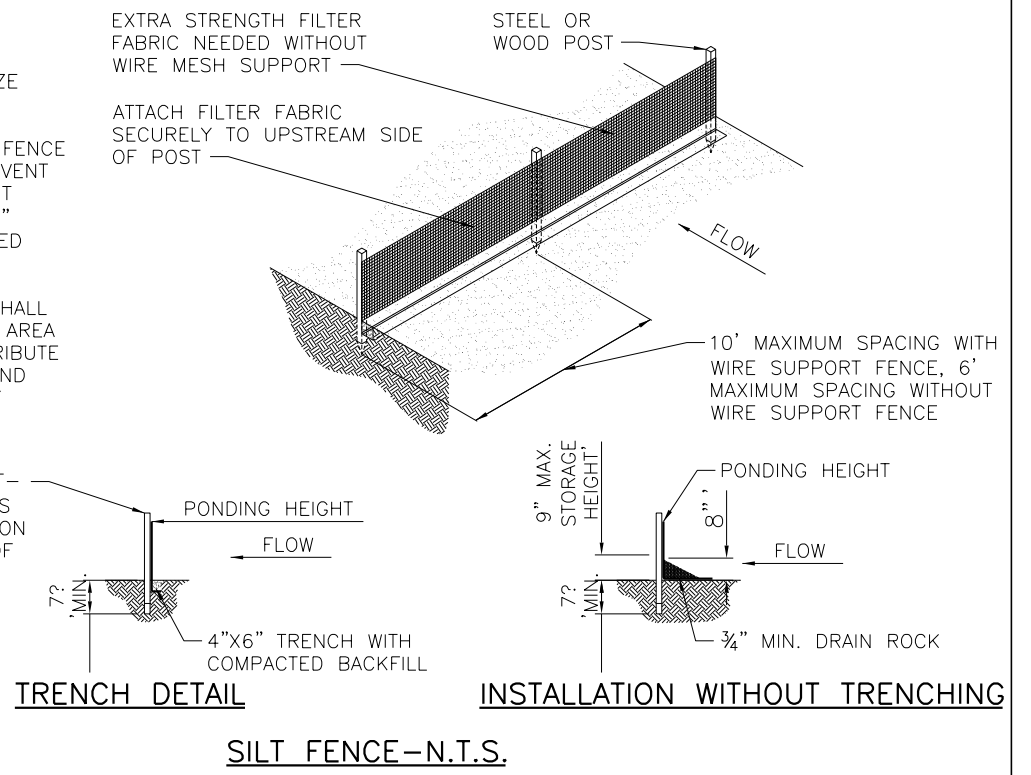


NOTES:

- SILT FENCE SHALL BE PLACED ON SLOPE CONTOURS TO MAXIMIZE PONDING EFFICIENCY.
- INSPECT AND REPAIR FENCE AFTER EACH STORM EVENT AND REMOVE SEDIMENT WHEN NECESSARY. 9" MAXIMUM RECOMMENDED STORAGE HEIGHT.
- REMOVED SEDIMENT SHALL BE DEPOSITED TO AN AREA THAT WILL NOT CONTRIBUTE SEDIMENT OFF-SITE AND CAN BE PERMANENTLY STABILIZED.

EXTRA STRENGTH FILTER FABRIC NEEDED WITHOUT WIRE MESH SUPPORT

ATTACH FILTER FABRIC SECURELY TO UPSTREAM SIDE OF POST



NOTE

- THIS PLAN SHEET SHALL NOT BE CONSIDERED A SWPPP (STORMWATER POLLUTION PREVENTION PLAN) BUT IS A PLAN REPRESENTATIVE OF THE MINIMUM REQUIRED BMP'S (BEST MANAGEMENT PRACTICES).
- THE SWPPP SHALL BE COMPLETED PRIOR TO THE SUBMITTAL OF THE NOTICE OF INTENT (NOI) TO BE COVERED UNDER THE DEPARTMENT'S GENERIC PERMIT FOR STORMWATER DISCHARGE FROM LARGE AND SMALL CONSTRUCTION ACTIVITIES.

REVISIONS				
NO.	DESCRIPTION	DATE	BY	DESCRIPTION

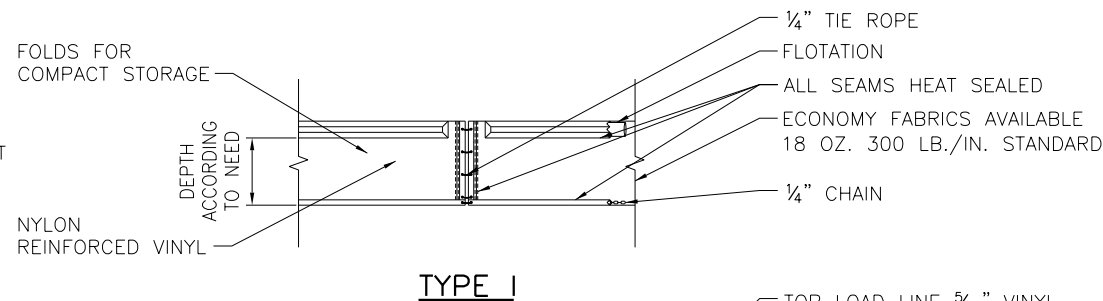
Kimley»Horn
 BRIAN A. GOOD, P.E.
 P.E. LICENSE NUMBER 56939
 445 24th STREET, SUITE 200
 VERO BEACH, FL 32960
 (772) 794-4100
 CERTIFICATE OF AUTHORIZATION# 00000696

INDIAN RIVER COUNTY BOARD OF COUNTY COMMISSIONERS
 66th AVENUE ROADWAY WIDENING - PHASE I 49th STREET TO 69th STREET

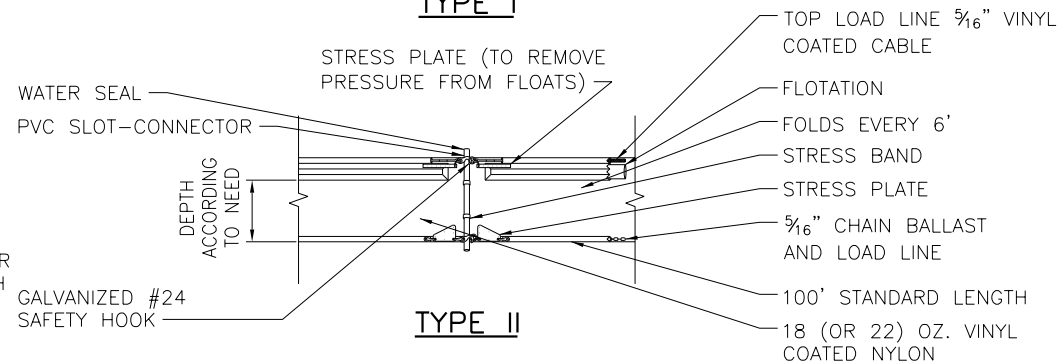
INDIAN RIVER COUNTY EROSION CONTROL DETAILS

SHEET NO. 224

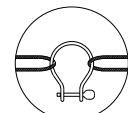
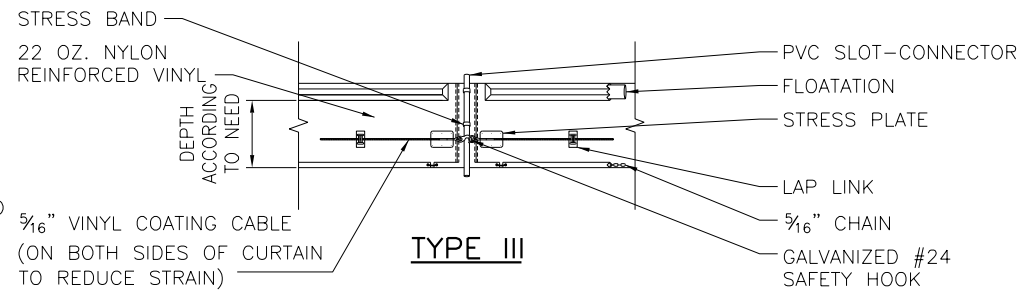
TYPE I. DOT FOR WATERS WITH LOW CURRENTS (NO MORE THAN ONE FOOT PER SECOND) AND LIGHT WINDS: LAKES, PONDS, SMALL STREAMS, MARSHES. FLEXIBLE TOP FLOTATION SECTION WITH ENCAPSULATED EPS FOAM FLOTATION LOGS (6"x6"x4')



TYPE 2. DOT FOR HIGHER CURRENT WATERS (UP TO FIVE FEET PER SECOND): DEEPER LAKES, STREAMS, INTERCOASTAL AND TIDAL AREAS. INCLUDES AN ENCAPSULATED STEEL LOAD CABLE ALONG TOP OF BARRIER AND 8"x8"x4' FLOTATION LOGS. WEAR STRESS POINTS ARE REINFORCED WITH SHIELDS.



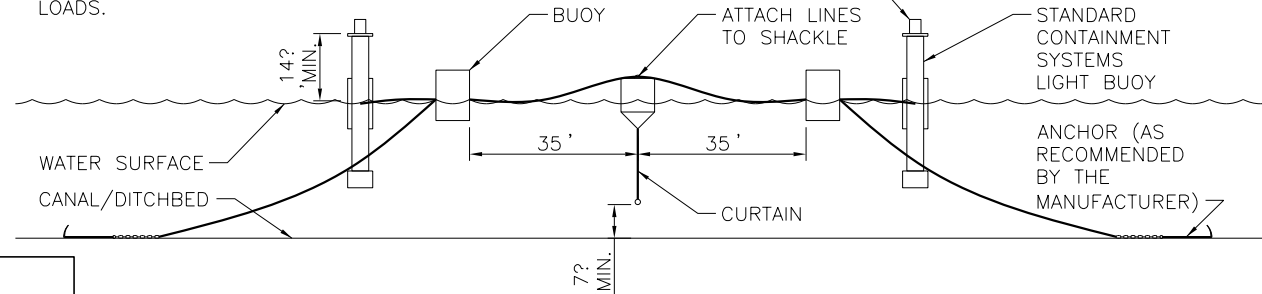
TYPE 3. DOT IS SIMILAR TO TYPE 2. DOT EXCEPT THAT POLYPROPYLENE FILTER FABRIC IS PERMANENTLY INSERTED INTO THE BARRIER SKIRT TO MEET SOME STATE'S SPECIFICATIONS.



BLOW-UP OF SHACKLE CONNECTION

NOTE: ANCHORING TO BUOYS AS SHOWN REMOVES ALL VERTICAL FORCES FROM THE CURTAIN, HENCE, THE CURTAIN WILL NOT SINK FROM WIND OR CURRENT LOADS.

AUTOMATIC FLASHING LIGHT (ON AT DUSK-OFF AT DAWN) 100' ON CENTER SHALL BE USED IN NAVIGABLE CHANNELS ONLY

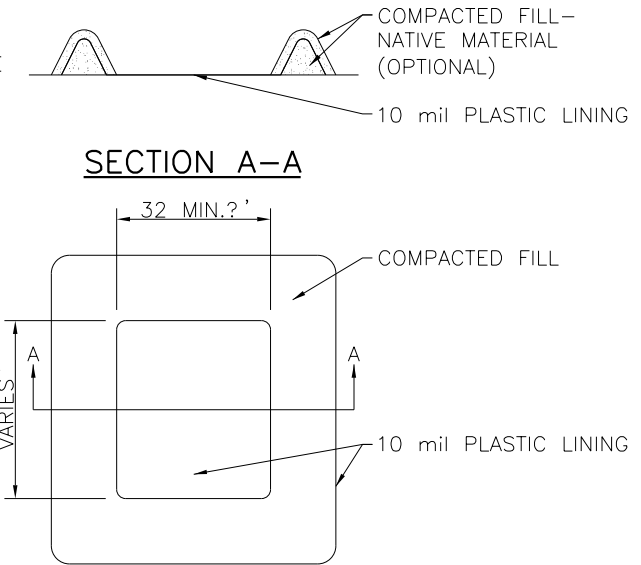


ORIENTATION WHEN INSTALLED (TIDAL SITUATION-TYPE III)-N.T.S.

NOTE
 1. THIS PLAN SHEET SHALL NOT BE CONSIDERED A SWPPP (STORMWATER POLLUTION PREVENTION PLAN) BUT IS A PLAN REPRESENTATIVE OF THE MINIMUM REQUIRED BMP'S (BEST MANAGEMENT PRACTICES).
 2. THE SWPPP SHALL BE COMPLETED PRIOR TO THE SUBMITTAL OF THE NOTICE OF INTENT (NOI) TO BE COVERED UNDER THE DEPARTMENT'S GENERIC PERMIT FOR STORMWATER DISCHARGE FROM LARGE AND SMALL CONSTRUCTION ACTIVITIES.

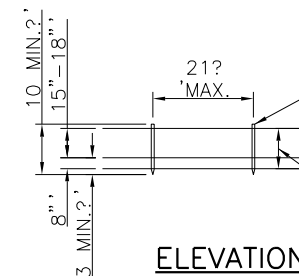
NOTES:

1. ACTUAL LAYOUT DETERMINED IN THE FIELD.
2. THE CONCRETE WASHOUT SIGN SHALL BE INSTALLED WITHIN 30' OF THE TEMPORARY CONCRETE WASHOUT FACILITY.
3. A ROLL OFF CONTAINER SPECIFICALLY MANUFACTURED FOR CONCRETE AND STUCCO WASHOUT MAY BE SUBSTITUTED.

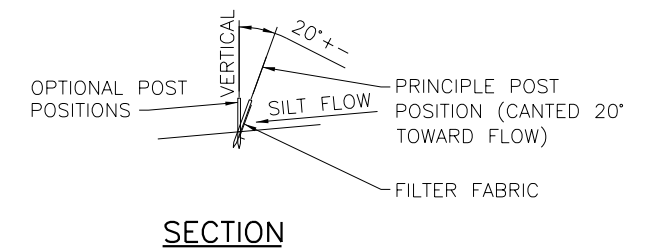


PLAN TYPE "ABOVE GRADE" WITH COMPACTED FILL

CONCRETE & STUCCO WASTE MANAGEMENT-N.T.S.

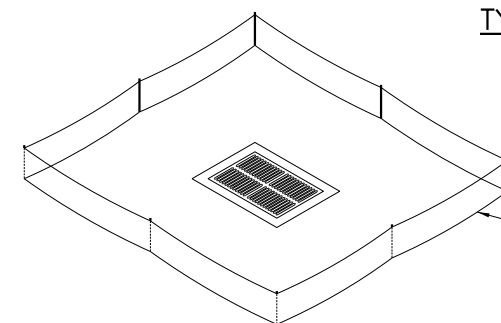


POST OPTIONS:
 WOOD 2-1/2" MIN. DIA.
 WOOD 2"x4"
 OAK 1-1/2"x1-1/2"
 STEEL 1.33 LBS./FT. MIN.
 FILTER FABRIC (IN CONFORMANCE WITH SEC. 985 F.D.O.T. SPEC.)

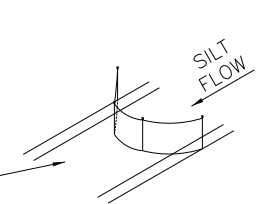


NOTES: SILT FENCE TO BE PAID FOR UNDER THE CONTRACT UNIT PRICE FOR STAKED SILT FENCE (L.F.)

TYPE III SILT FENCE



NOTE: SPACING FOR TYPE III FENCE TO BE IN ACCORDANCE WITH CHART 1, SHEET 1 OF 3 AND DITCH INSTALLATIONS AT DRAINAGE STRUCTURES SHEET 2 OF 3



DO NOT DEPLOY IN A MANNER THAT SILT FENCES WILL ACT AS A DAM ACROSS PERMANENT FLOWING WATERCOURSES. SILT FENCES ARE TO BE USED AT UPLAND LOCATIONS AND TURBIDITY BARRIERS USED AT PERMANENT BODIES OF WATER.

SILT FENCE APPLICATIONS-N.T.S.

REVISIONS				
DESCRIPTION	DATE	BY	DESCRIPTION	

Kimley»Horn

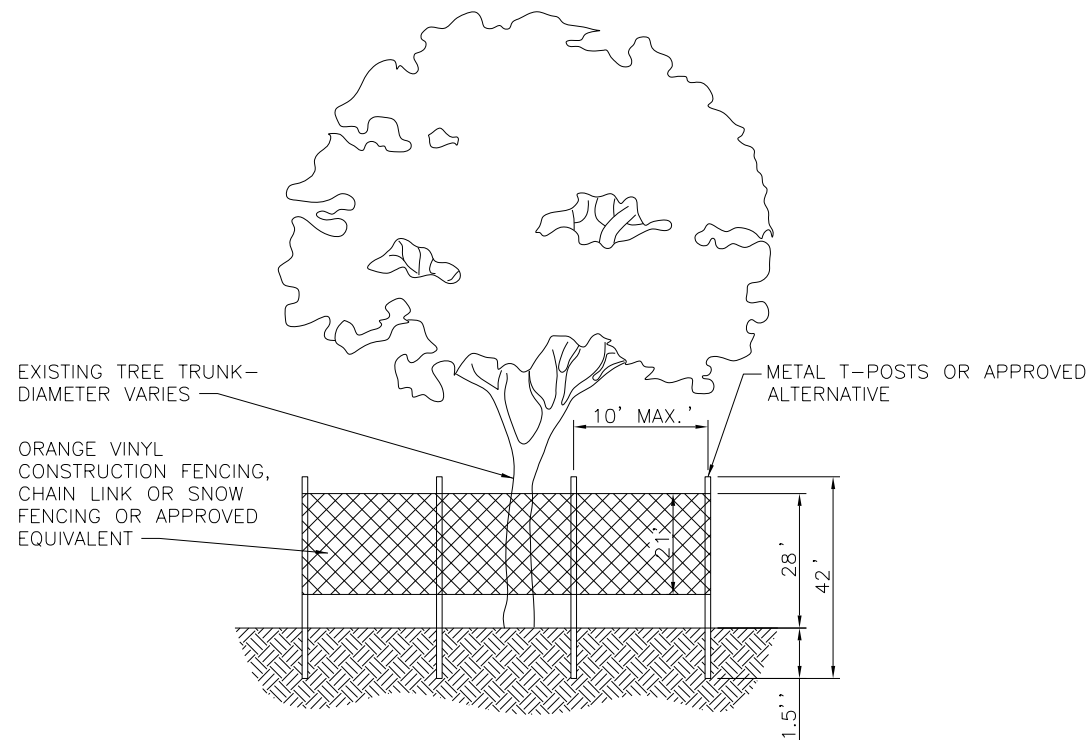
BRIAN A. GOOD, P.E.
 P.E. LICENSE NUMBER 56939
 445 24th STREET, SUITE 200
 VERO BEACH, FL 32960
 (772) 794-4100
 CERTIFICATE OF AUTHORIZATION# 00000696

INDIAN RIVER COUNTY BOARD OF COUNTY COMMISSIONERS
 66th AVENUE ROADWAY WIDENING - PHASE I 49th STREET TO 69th STREET

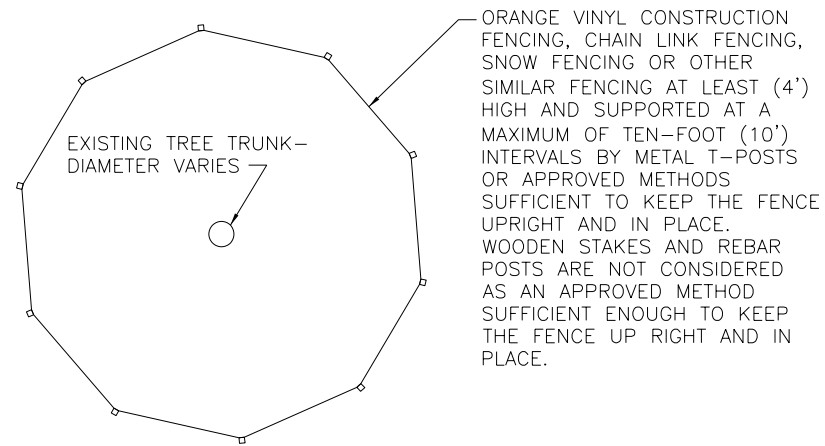
INDIAN RIVER COUNTY EROSION CONTROL DETAILS

SHEET NO.

225



ELEVATION

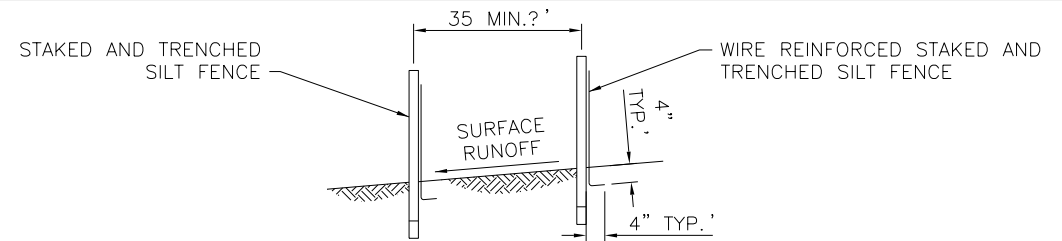


PLAN

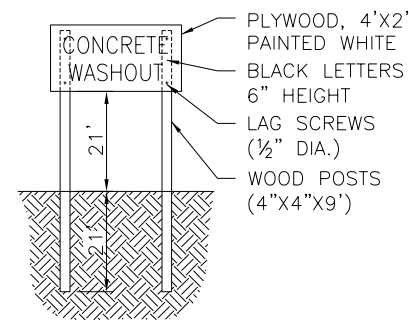
PROTECTIVE FENCING FOR TREES—N.T.S.

NOTES:

1. ALL TREES RETAINED ON A SITE SHALL BE PROTECTIVELY BARRICADED BEFORE AND DURING CONSTRUCTION ACTIVITIES.
2. UNDERGROUND UTILITY LINES SHALL BE ROUTED AROUND EXISTING TREES TO THE OUTSIDE OF THE DRIPLINE WHERE ABLE.
3. INSTALLATION OF FENCES AND WALLS SHALL TAKE INTO CONSIDERATION THE ROOT SYSTEMS OF EXISTING TREES.
4. FENCE/BARRICADE SHALL BE INSTALLED AT PERIMETER OF ALL TRESS OR GROUP OF TREES TO BE PRESERVED. FENCE SHALL BE MAINTAINED DURING CONSTRUCTION.
5. DO NOT PARK HEAVY EQUIPMENT ON TREE ROOTS. DO NOT ADD FILL 4" TO 6" AROUND TREE. ALL WORK WITHIN THE CRZ MUST BE DONE BY HAND.



DOUBLE ROW STAKED SILT FENCE FOR USE AROUND WETLANDS—N.T.S.



CONCRETE WASHOUT SIGN DETAIL (OR EQUIVALENT)

NOTE

1. THIS PLAN SHEET SHALL NOT BE CONSIDERED A SWPPP (STORMWATER POLLUTION PREVENTION PLAN) BUT IS A PLAN REPRESENTATIVE OF THE MINIMUM REQUIRED BMP'S (BEST MANAGEMENT PRACTICES).
2. THE SWPPP SHALL BE COMPLETED PRIOR TO THE SUBMITTAL OF THE NOTICE OF INTENT (NOI) TO BE COVERED UNDER THE DEPARTMENT'S GENERIC PERMIT FOR STORMWATER DISCHARGE FROM LARGE AND SMALL CONSTRUCTION ACTIVITIES.

REVISIONS

DESCRIPTION	DATE	BY	DESCRIPTION

Kimley»Horn

BRIAN A. GOOD, P.E.
P.E. LICENSE NUMBER 56939
445 24th STREET, SUITE 200
VERO BEACH, FL 32960
(772) 794-4100
CERTIFICATE OF AUTHORIZATION# 00000696

**INDIAN RIVER COUNTY
BOARD OF COUNTY COMMISSIONERS
66th AVENUE ROADWAY WIDENING -
PHASE I 49th STREET TO 69th STREET**

**INDIAN RIVER COUNTY
EROSION CONTROL DETAILS**

SHEET NO.

226