

*INDIAN RIVER COUNTY
BOARD OF COUNTY COMMISSIONERS*

ROADWAY CONTRACT PLANS

66th AVENUE ROADWAY WIDENING

PHASE IB 49th STREET TO 69th STREET

INDIAN RIVER COUNTY PROJECT No. 1505

FDOT FPID 436379-1-52-01

INDEX OF SIGNING & MARKING PLANS

SHEET NO.	SHEET DESCRIPTION
S-1	KEY SHEET
S-2	GENERAL NOTES
S-3 - S-4	SIGNING AND MARKING TABULATION OF QUANTITIES
S-5 - S-13	66th AVENUE SIGNING AND MARKING
S-14 - S-16	61st STREET SIGNING AND MARKING
S-17 - S-20	65th STREET SIGNING AND MARKING
S-21 - S-23	69th STREET SIGNING AND MARKING
S-24	GUIDE SIGN WORK SHEET

PLANS PREPARED BY:

Kimley»Horn

445 24th STREET, SUITE 200
VERO BEACH, FL 32960
(772) 794-4100
PROJECT NUMBER: 04703504I
CERTIFICATE OF AUTHORIZATION: 00000696

SIGNING AND MARKING PLANS
ENGINEER OF RECORD: BRIAN GOOD

P.E. NO. 56939

SIGNING AND MARKING CONTRACT PLANS

NOTE: THE SCALE OF THESE PLANS MAY
HAVE CHANGED DUE TO REPRODUCTION.

BID PLANS
DECEMBER 2020

P R E P A R E D F O R



Department of Public Works

RICHARD B. SZPYRKA, P.E., DIRECTOR

GOVERNING STANDARDS AND SPECIFICATIONS:
FLORIDA DEPARTMENT OF TRANSPORTATION,
"DESIGN STANDARDS" DATED JANUARY 2015,
AND "STANDARDS SPECIFICATIONS FOR ROAD
AND BRIDGE CONSTRUCTION" DATED 2015, AS
AMENDED BY CONTRACT DOCUMENTS.

SHEET
NO.

S-1

SIGNING & MARKING GENERAL NOTES

1. SIGNS AND PAVEMENT MARKINGS ARE TO CONFORM TO THE MANUAL ON UNIFORM TRAFFIC CONTROL DEVICES, LATEST EDITION AND THE INDIAN RIVER COUNTY TYPICAL DRAWINGS FOR ROADWAY SIGNING, STRIPING & GEOMETRICS.
2. ALL PAVEMENT MARKINGS ARE TO CONSIST OF 90 mil EXTRUDED ALKYD THERMOPLASTIC.
3. RAISED REFLECTIVE PAVEMNT MARKERS (RPMs) ARE TO CONSIST OF 4-INCH SQUARE MONO-DIRECTIONAL WHITE AND BI-DIRECTIONAL YELLOW. LANE LINE RPMs ON THE 4 (OR MORE) LANE PORTION OF ANY DIVIDED ROADWAY SHALL BE BI-DIRECTIONAL WHITE/RED.
4. RPMs SHALL BE POSITIONED IN ACCORDANCE WITH FDOT INDEX # 17352 AND THIS PLAN.
5. ALL GROUND MOUNTED STREET NAME SIGNS SHALL HAVE 8 INCH CAPITAL LETTERS.
6. SINGLE COLUMN GROUND SIGNS SHALL BE INSTALLED W/ STEEL SQUARE TUBE POST. STEEL SQUARE TUBE POST SHALL BE SIZED IN ACCORDANCE W/ FDOT INDEX NO. 11865.
7. ALL EXISTING SIGNS AND POSTS ARE TO BE REMOVED UNLESS NOTED OTHERWISE.
8. ALL PAVEMENT MARKINGS SHALL MEET SPECIFICATIONS AND BE IN ACCORDANCE WITH FDOT STANDARD SPECIFICATIONS FOR ROAD AND BRIDGE CONSTRUCTION, FDOT DESIGN STADNARDS, THE MANUAL ON UNIFORM TRAFFIC CONTROL DEVICES, 2009, FDOT TRAFFIC ENGINEERING MANUAL AND INDIAN RIVER COUNTY STANDARDS, LATEST EDITIONS.
9. ALL PAVEMENT MARKING MATERIAL SHALL BE ON THE DEPARTMENT OF TRANSPORTATION APPROVED PRODUCTS LIST (APL), IN ADDITION TO BEING APPROVED BY INDIAN RIVER COUNTY TRAFFIC ENGINEERING, PRIOR TO INSTALLATION.
10. THE METHOD OF REMOVAL OF PAVEMENT MARKINGS SHALL BE HYDROBLASTING AND IN ACCORDANCE WITH FDOT STANDARD SPECIFICATIONS FOR ROAD AND BRIDGE CONSTRUCTION, SECTION 711.
11. THE SIGNING AND PAVEMENT MARKING QUANTITIES THAT ARE DEPICTED WITHIN THE 66TH AVENUE SIGNALIZATION CONTRACT PLANS HAVE BEEN QUANTIFIED IN THE TABULATION OF QUANTITIES WITHIN THIS PLAN SET.

REVISIONS

NO.	DESCRIPTION	DATE	BY	DESCRIPTION

Kimley»Horn

BRIAN A. GOOD, P.E.
 P.E. LICENSE NUMBER 56939
 445 24th STREET, SUITE 200
 VERO BEACH, FL 32960
 (772) 794-4100
 CERTIFICATE OF AUTHORIZATION# 00000696

INDIAN RIVER COUNTY
 BOARD OF COUNTY COMMISSIONERS
 66th AVENUE ROADWAY WIDENING -
 PHASE IB 49th STREET TO 69th STREET

GENERAL NOTES

SHEET NO.
S-2

TABULATION OF QUANTITIES

PAY ITEM NO.	DESCRIPTION	UNIT	SHEET NUMBERS																		TOTAL THIS SHEET		SUB TOTAL		REF. SHEET	
			S-5		S-6		S-7		S-8		S-9		S-10		S-11		S-12		S-13		S-14					
			PLAN	FINAL	PLAN	FINAL	PLAN	FINAL	PLAN	FINAL	PLAN	FINAL	PLAN	FINAL	PLAN	FINAL	PLAN	FINAL	PLAN	FINAL	PLAN	FINAL	PLAN	FINAL		
700-1-11	SINGLE POST SIGN (FURNISH & INSTALL) (LESS THAN 12 SF)	AS	2		7		6		7		3		3		8		6		4		1		47		47	
700-2-12	MULTI-POST SIGN (FURNISH & INSTALL) (12-20 SF)	AS											1		1								2		2	
705-10-4	OBJECT MARKER, TYPE 4	EA														2					2		4		4	
706-3	RETRO-REFLECTIVE PAVEMENT MARKERS	EA	31		143		106		125		92		89		134		117		83		68		988		988	
711-11-121	THERMOPLASTIC, STD, WHITE, SOLID 6"	LF	1290		1778		2690		2026		2364		2445		1783		2676		1422		1105		19579		19579	
711-11-122	THERMOPLASTIC, STD, WHITE, SOLID 8"	LF			1295				775		515		138		1178								3901		3901	
711-11-123	THERMOPLASTIC, STD, WHITE, SOLID 12"	LF			171				167					697									1035		1035	
711-11-124	THERMOPLASTIC, STD, WHITE, SOLID 18"	LF			353				220		133		24		330								1060		1060	
711-11-125	THERMOPLASTIC, STD, WHITE, SOLID 24"	LF			26				25					113									164		164	
711-11-131	THERMOPLASTIC, STD, WHITE, SKIP (10'-30'), 6"	LF	1290		1913		2200		1921		2200		2200		1714		1011						14449		14449	
711-11-141	THERMOPLASTIC, STD, WHITE, SKIP (2'-4' / 6'-10'), 6"	LF	240		573				399		262		180		480								2134		2134	
711-11-160	THERMOPLASTIC, STD, WHITE, MESSAGE	EA	2		4		2		3		1		2		4		5				1		24		24	
	MERGE																2									
	BICYCLE PERSON		2		4		2		3		1		2		4		3				1					
711-11-170	THERMOPLASTIC, STD, WHITE, ARROW	EA	2		12		8		8		7		5		12		11				1		66		66	
	LEFT TURN				8				5		3				8											
	U TURN						6				3		3				6									
	MERGE																2									
	BICYCLE THRU		2		4		2		3		1		2		4		3				1					
711-11-221	THERMOPLASTIC, STD, YELLOW, SOLID 6"	LF	1292		2174		2082		2127		2205		2085		2031		2082		2160		2101		20339		20339	
711-11-224	THERMOPLASTIC, STD, YELLOW, SOLID 18"	LF			95				88					54		150		371		105			863		863	
711-11-241	THERMOPLASTIC, STD, YELLOW, SKIP (2'-4' / 6'-10'), 6"	LF			316		228		321				228		562		228						1883		1883	

THE OFFICIAL RECORD OF THIS SHEET IS THE ELECTRONIC FILE DIGITALLY SIGNED AND SEALED UNDER RULE 61G15-23.004, F.A.C.

I.R.C.O. Proj. No.

1505

REVISIONS				 BRIAN A. GOOD, P.E. P.E. LICENSE NUMBER 56939 445 24th STREET, SUITE 200 VERO BEACH, FL 32960 (772) 794-4100 CERTIFICATE OF AUTHORIZATION# 00000696	INDIAN RIVER COUNTY BOARD OF COUNTY COMMISSIONERS 66th AVENUE ROADWAY WIDENING - PHASE IB 49th STREET TO 69th STREET	SIGNING AND MARKING TABULATION OF QUANTITIES	SHEET NO.
DESCRIPTION	DATE	BY	DESCRIPTION				S-3

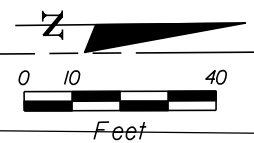
TABULATION OF QUANTITIES

PAY ITEM NO.	DESCRIPTION	UNIT	SHEET NUMBERS																		TOTAL THIS SHEET		GRAND TOTAL		REF. SHEET	
			S-15		S-16		S-17		S-18		S-19		S-20		S-21		S-22		S-23		T-8					
			PLAN	FINAL	PLAN	FINAL	PLAN	FINAL	PLAN	FINAL	PLAN	FINAL	PLAN	FINAL	PLAN	FINAL	PLAN	FINAL	PLAN	FINAL	PLAN	FINAL	PLAN	FINAL		
700-1-11	SINGLE POST SIGN (FURNISH & INSTALL) (LESS THAN 12 SF)	AS	8		1		1		6		3		1				5		3				28		75	
700-2-12	MULTI-POST SIGN (FURNISH & INSTALL) (12-20 SF)	AS																		2			2		4	
705-10-4	OBJECT MARKER, TYPE 4	EA			2		2						2		2								8		12	
706-3	RETRO-REFLECTIVE PAVEMENT MARKERS	EA	98		82		32		105		114		22		96		95		78		101		823		1811	
711-11-121	THERMOPLASTIC, STD, WHITE, SOLID 6"	LF	2160		1302		604		2050		2270		902		1900		2092		1555		1054		15889		35468	
711-11-122	THERMOPLASTIC, STD, WHITE, SOLID 8"	LF																			600		600		4501	
711-11-123	THERMOPLASTIC, STD, WHITE, SOLID 12"	LF															53		117		362		532		1567	
711-11-124	THERMOPLASTIC, STD, WHITE, SOLID 18"	LF																			170		170		1230	
711-11-125	THERMOPLASTIC, STD, WHITE, SOLID 24"	LF	51						48								44		14		149		306		470	
711-11-131	THERMOPLASTIC, STD, WHITE, SKIP (10'-30'), 6"	LF																			400		400		14849	
711-11-141	THERMOPLASTIC, STD, WHITE, SKIP (2'-4' / 6'-10'), 6"	LF	300						430		230						660				600		2220		4354	
711-11-160	THERMOPLASTIC, STD, WHITE, MESSAGE	EA	4				1		3		3				1		4		1		4		21		45	
	MERGE																									
	BICYCLE PERSON		4				1		3		3				1		4		1		4					
711-11-170	THERMOPLASTIC, STD, WHITE, ARROW	EA	12				1		7		5				1		11				8		45		111	
	LEFT TURN		8						4		2						6				8					
	U TURN																									
	MERGE																									
	BICYCLE THRU		4				1		3		3				1		5									
711-11-221	THERMOPLASTIC, STD, YELLOW, SOLID 6"	LF	2101		2500		1092		2750		3487		902		3092		2222		2470		1216		21832		42171	
711-11-224	THERMOPLASTIC, STD, YELLOW, SOLID 18"	LF	66		160		22		157		164				160		68		60				857		1720	
711-11-241	THERMOPLASTIC, STD, YELLOW, SKIP (2'-4' / 6'-10'), 6"	LF																	94		494		588		2471	

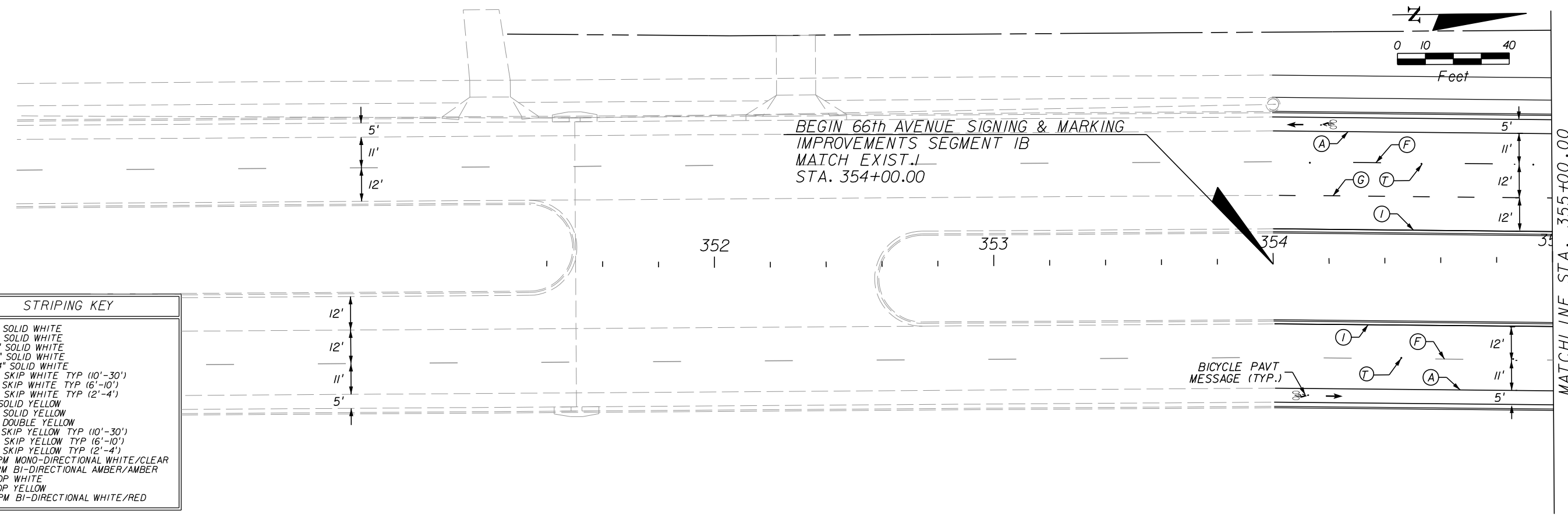
THE OFFICIAL RECORD OF THIS SHEET IS THE ELECTRONIC FILE DIGITALLY SIGNED AND SEALED UNDER RULE 61G15-23.004, F.A.C.

I.R.C.O. Proj. No. 1505

REVISIONS				 <small>BRIAN A. GOOD, P.E. P.E. LICENSE NUMBER 56939 445 24th STREET, SUITE 200 VERO BEACH, FL 32960 (772) 794-4100 CERTIFICATE OF AUTHORIZATION# 00000696</small>	INDIAN RIVER COUNTY BOARD OF COUNTY COMMISSIONERS 66th AVENUE ROADWAY WIDENING - PHASE IB 49th STREET TO 69th STREET	SIGNING AND MARKING TABULATION OF QUANTITIES	SHEET NO.
DESCRIPTION	DATE	BY	DESCRIPTION				S-4

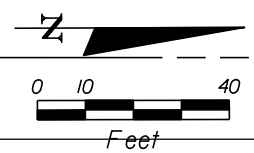


BEGIN 66th AVENUE SIGNING & MARKING
IMPROVEMENTS SEGMENT IB
MATCH EXIST. L
STA. 354+00.00



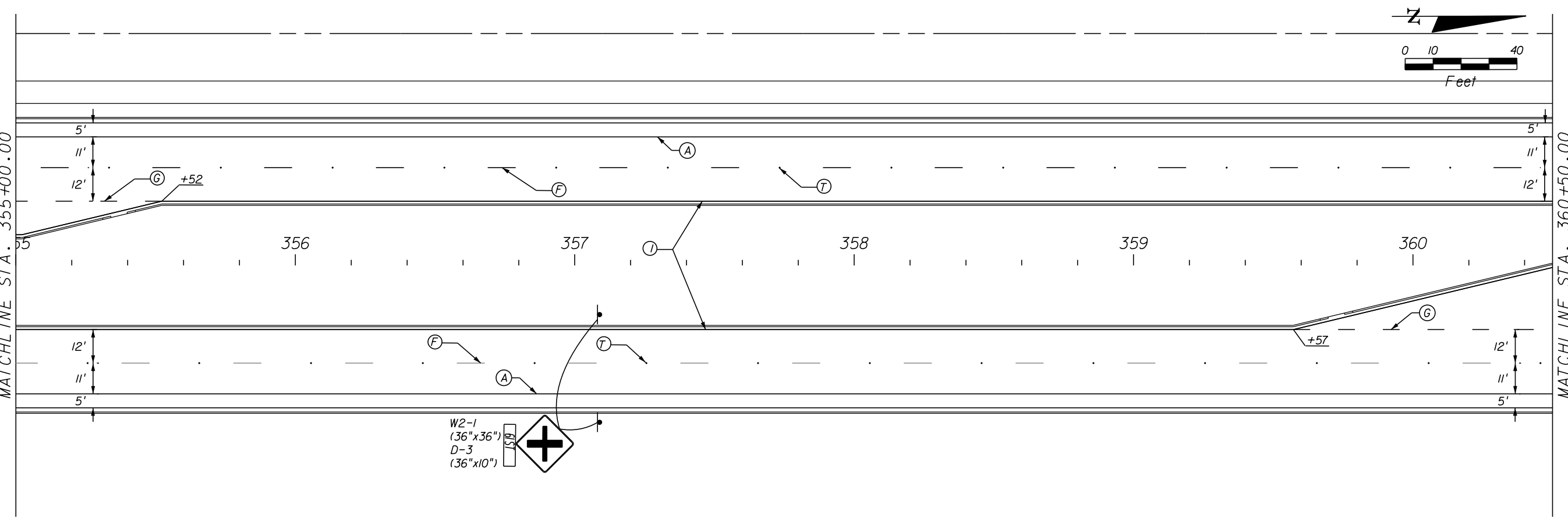
STRIPING KEY

- A = 6" SOLID WHITE
- B = 8" SOLID WHITE
- C = 12" SOLID WHITE
- D = 18" SOLID WHITE
- E = 24" SOLID WHITE
- F = 6" SKIP WHITE TYP (10'-30')
- G = 6" SKIP WHITE TYP (6'-10')
- H = 6" SKIP WHITE TYP (2'-4')
- I = 6" SOLID YELLOW
- J = 18" SOLID YELLOW
- K = 6" DOUBLE YELLOW
- L = 6" SKIP YELLOW TYP (10'-30')
- M = 6" SKIP YELLOW TYP (6'-10')
- N = 6" SKIP YELLOW TYP (2'-4')
- P = RPM MONO-DIRECTIONAL WHITE/CLEAR
- Q = RPM BI-DIRECTIONAL AMBER/AMBER
- R = FDP WHITE
- S = FDP YELLOW
- T = RPM BI-DIRECTIONAL WHITE/RED



MATCHLINE STA. 355+00.00

MATCHLINE STA. 360+50.00



W2-1
(36"x36")
D-3
(36"x10")

REVISIONS

DESCRIPTION	DATE	BY	DESCRIPTION

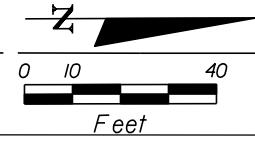
Kimley»Horn
 BRIAN A. GOOD, P.E.
 P.E. LICENSE NUMBER 56939
 445 24th STREET, SUITE 200
 VERO BEACH, FL 32960
 (772) 794-4100
 CERTIFICATE OF AUTHORIZATION# 00000696

**INDIAN RIVER COUNTY
 BOARD OF COUNTY COMMISSIONERS**
**66th AVENUE ROADWAY WIDENING -
 PHASE IB 49th STREET TO 69th STREET**

**66th AVENUE
 SIGNING AND MARKING**

SHEET NO.
 S-5

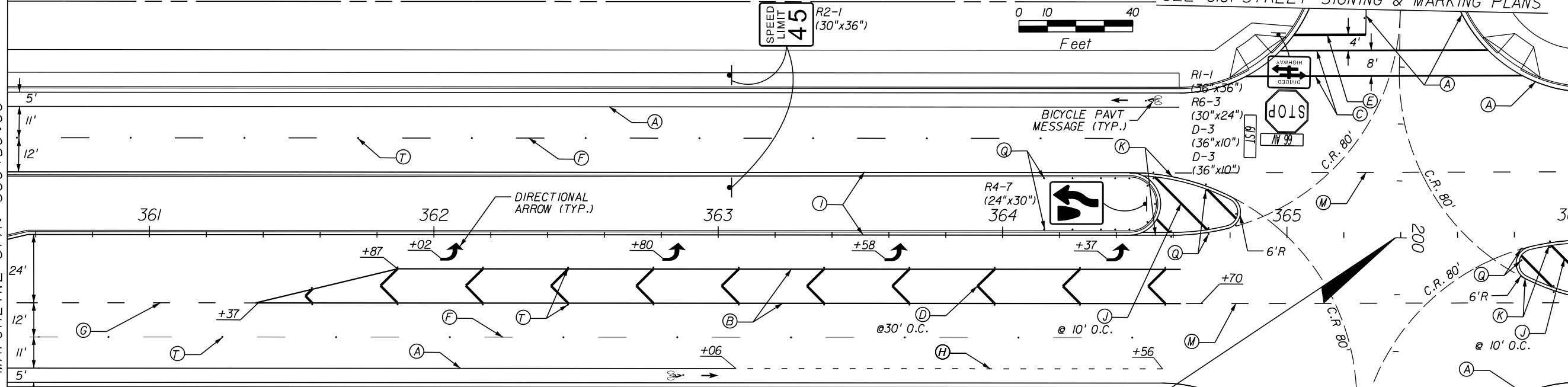
MATCH LINE - STA. 199+20.00
SEE 61st STREET SIGNING & MARKING PLANS



SPEED LIMIT 45
R2-1 (30"x36")

MATCHLINE STA. 360+50.00

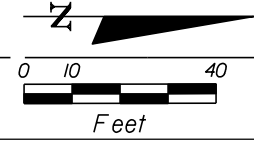
MATCHLINE STA. 366+00.00



STRIPING KEY	
A	= 6" SOLID WHITE
B	= 8" SOLID WHITE
C	= 12" SOLID WHITE
D	= 18" SOLID WHITE
E	= 24" SOLID WHITE
F	= 6" SKIP WHITE TYP (10'-30')
G	= 6" SKIP WHITE TYP (6'-10')
H	= 6" SKIP WHITE TYP (2'-4')
I	= 6" SOLID YELLOW
J	= 18" SOLID YELLOW
K	= 6" DOUBLE YELLOW
L	= 6" SKIP YELLOW TYP (10'-30')
M	= 6" SKIP YELLOW TYP (6'-10')
N	= 6" SKIP YELLOW TYP (2'-4')
P	= RPM MONO-DIRECTIONAL WHITE/CLEAR
Q	= RPM BI-DIRECTIONAL AMBER/AMBER
R	= FDP WHITE
S	= FDP YELLOW
T	= RPM BI-DIRECTIONAL WHITE/RED

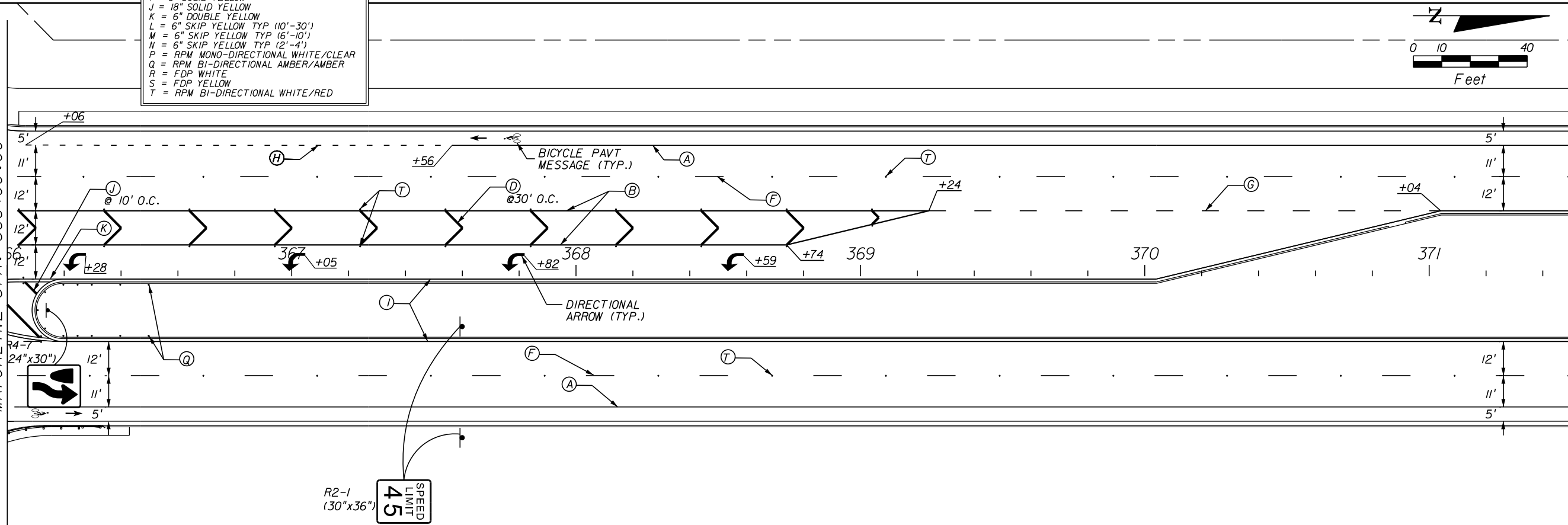
CONST. 66th AVENUE STA. 365+43.22 =
CONST. 61st STREET STA. 200+00.00

MATCH LINE - STA. 200+60.00
SEE 61st STREET SIGNING & MARKING PLANS



MATCHLINE STA. 366+00.00

MATCHLINE STA. 371+50.00



SPEED LIMIT 45
R2-1 (30"x36")

REVISIONS				
DESCRIPTION	DATE	BY	DESCRIPTION	

Kimley»Horn
BRIAN A. GOOD, P.E.
 P.E. LICENSE NUMBER 56939
 445 24th STREET, SUITE 200
 VERO BEACH, FL 32960
 (772) 794-4100
 CERTIFICATE OF AUTHORIZATION# 00000696

**INDIAN RIVER COUNTY
 BOARD OF COUNTY COMMISSIONERS**
**66th AVENUE ROADWAY WIDENING -
 PHASE IB 49th STREET TO 69th STREET**

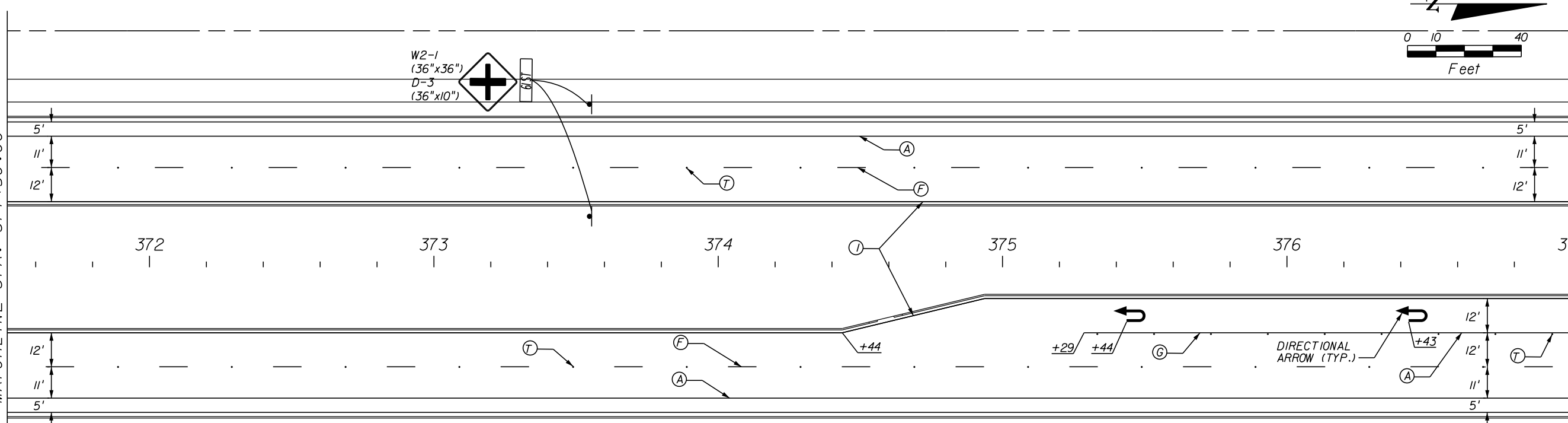
**66th AVENUE
 SIGNING AND MARKING**

SHEET NO.
5-6

THE OFFICIAL RECORD OF THIS SHEET IS THE ELECTRONIC FILE DIGITALLY SIGNED AND SEALED UNDER RULE 61G15-23.004, F.A.C. I.R.CO. Proj. No. 1505

MATCHLINE STA. 371+50.00

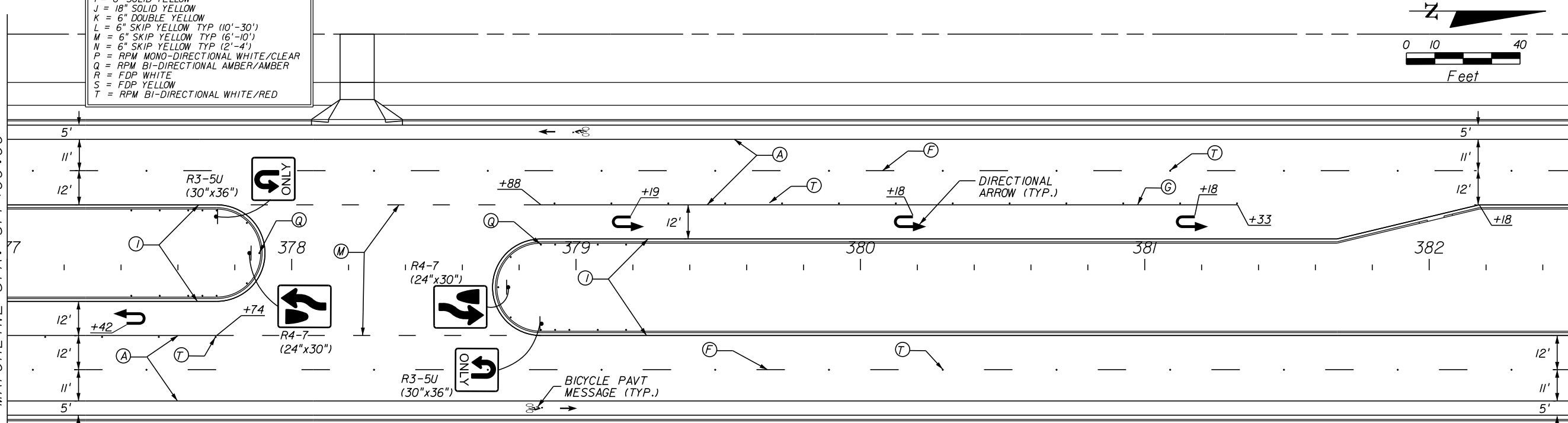
MATCHLINE STA. 377+00.00



STRIPING KEY	
A	= 6" SOLID WHITE
B	= 8" SOLID WHITE
C	= 12" SOLID WHITE
D	= 18" SOLID WHITE
E	= 24" SOLID WHITE
F	= 6" SKIP WHITE TYP (10'-30')
G	= 6" SKIP WHITE TYP (6'-10')
H	= 6" SKIP WHITE TYP (2'-4')
I	= 6" SOLID YELLOW
J	= 18" SOLID YELLOW
K	= 6" DOUBLE YELLOW
L	= 6" SKIP YELLOW TYP (10'-30')
M	= 6" SKIP YELLOW TYP (6'-10')
N	= 6" SKIP YELLOW TYP (2'-4')
P	= RPM MONO-DIRECTIONAL WHITE/CLEAR
Q	= RPM BI-DIRECTIONAL AMBER/AMBER
R	= FDP WHITE
S	= FDP YELLOW
T	= RPM BI-DIRECTIONAL WHITE/RED

MATCHLINE STA. 377+00.00

MATCHLINE STA. 382+50.00



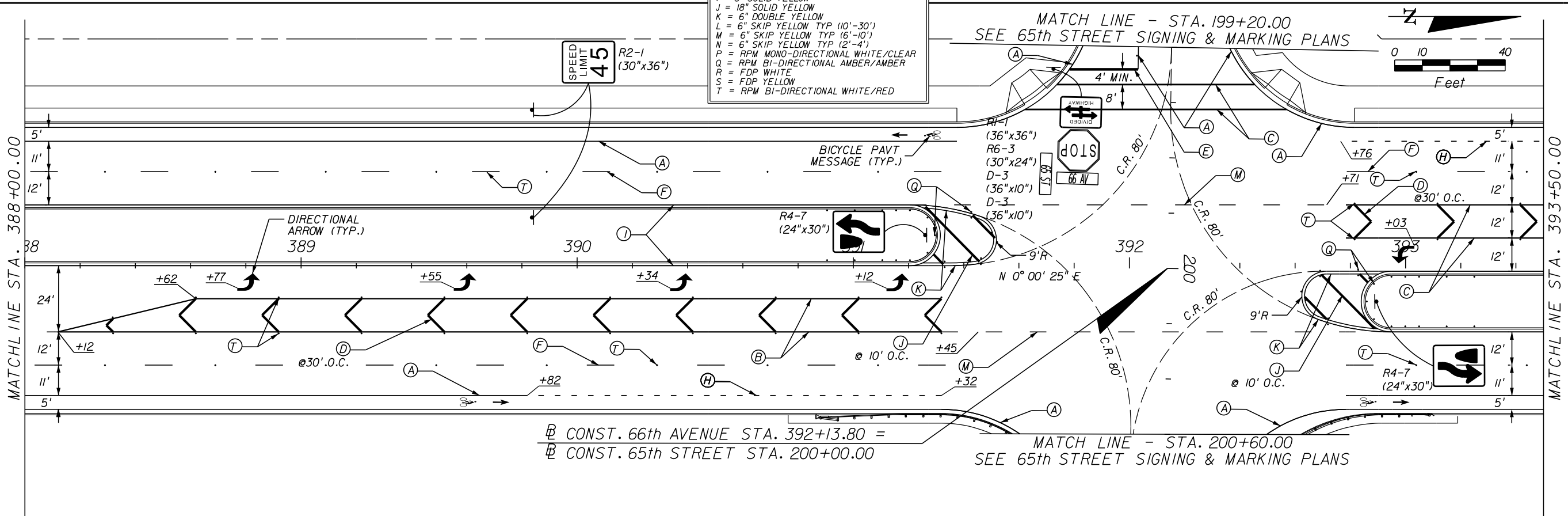
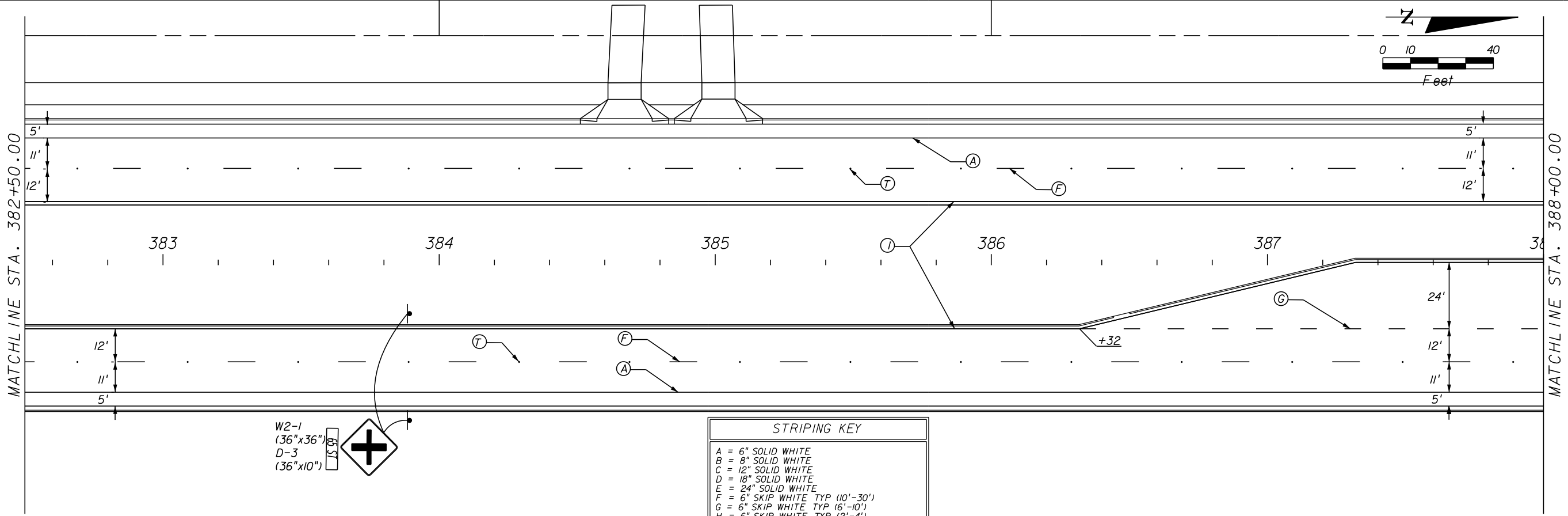
REVISIONS				
NO.	DESCRIPTION	DATE	BY	DESCRIPTION

Kimley»Horn
 BRIAN A. GOOD, P.E.
 P.E. LICENSE NUMBER 56939
 445 24th STREET, SUITE 200
 VERO BEACH, FL 32960
 (772) 794-4100
 CERTIFICATE OF AUTHORIZATION# 00000696

**INDIAN RIVER COUNTY
 BOARD OF COUNTY COMMISSIONERS**
**66th AVENUE ROADWAY WIDENING -
 PHASE IB 49th STREET TO 69th STREET**

**66th AVENUE
 SIGNING AND MARKING**

SHEET NO.
 5-7



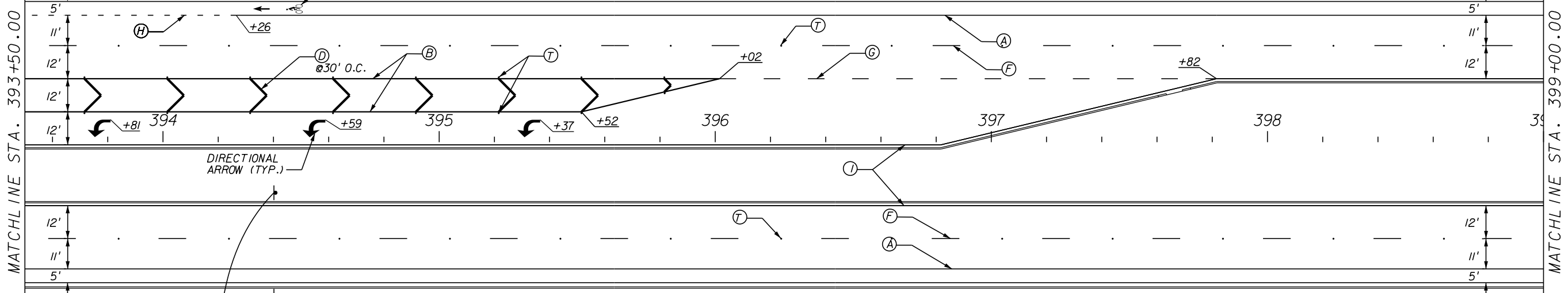
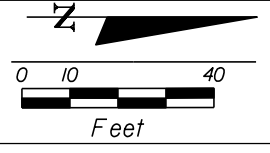
REVISIONS				
NO.	DESCRIPTION	DATE	BY	DESCRIPTION

Kimley»Horn
 BRIAN A. GOOD, P.E.
 P.E. LICENSE NUMBER 56939
 445 24th STREET, SUITE 200
 VERO BEACH, FL 32960
 (772) 794-4100
 CERTIFICATE OF AUTHORIZATION# 00000696

INDIAN RIVER COUNTY
BOARD OF COUNTY COMMISSIONERS
66th AVENUE ROADWAY WIDENING -
PHASE IB 49th STREET TO 69th STREET

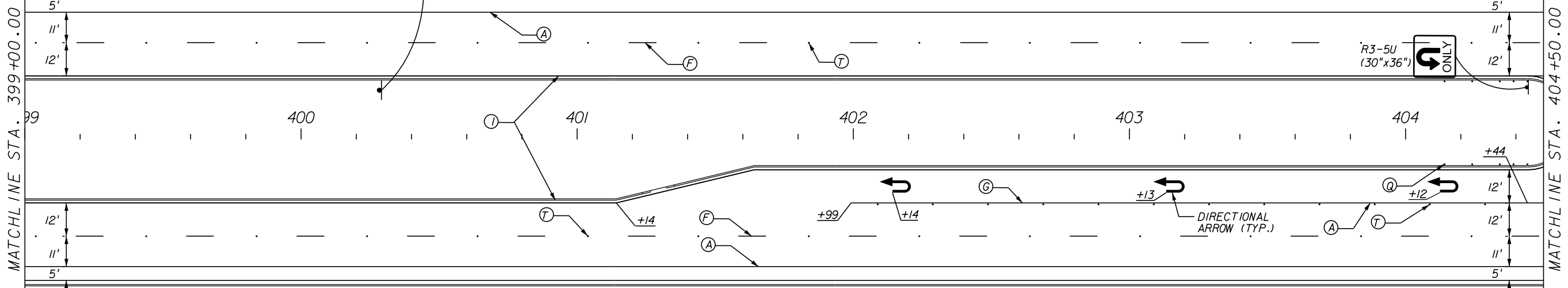
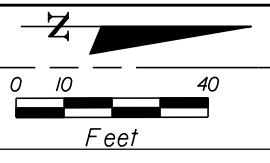
66th AVENUE
SIGNING AND MARKING

SHEET NO.
 5-8



R2-1 (30"x36")
SPEED LIMIT 45

STRIPING KEY	
A	= 6" SOLID WHITE
B	= 8" SOLID WHITE
C	= 12" SOLID WHITE
D	= 18" SOLID WHITE
E	= 24" SOLID WHITE
F	= 6" SKIP WHITE TYP (10'-30')
G	= 6" SKIP WHITE TYP (6'-10')
H	= 6" SKIP WHITE TYP (2'-4')
I	= 6" SOLID YELLOW
J	= 18" SOLID YELLOW
K	= 6" DOUBLE YELLOW
L	= 6" SKIP YELLOW TYP (10'-30')
M	= 6" SKIP YELLOW TYP (6'-10')
N	= 6" SKIP YELLOW TYP (2'-4')
P	= RPM MONO-DIRECTIONAL WHITE/CLEAR
Q	= RPM BI-DIRECTIONAL AMBER/AMBER
R	= FDP WHITE
S	= FDP YELLOW
T	= RPM BI-DIRECTIONAL WHITE/RED



W2-1 (36"x36")
D-3 (36"x10")

R3-5U (30"x36")
ONLY

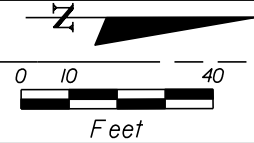
REVISIONS				
DESCRIPTION	DATE	BY	DESCRIPTION	

Kimley»Horn
 BRIAN A. GOOD, P.E.
 P.E. LICENSE NUMBER 56939
 445 24th STREET, SUITE 200
 VERO BEACH, FL 32960
 (772) 794-4100
 CERTIFICATE OF AUTHORIZATION# 00000696

**INDIAN RIVER COUNTY
 BOARD OF COUNTY COMMISSIONERS**
**66th AVENUE ROADWAY WIDENING -
 PHASE IB 49th STREET TO 69th STREET**

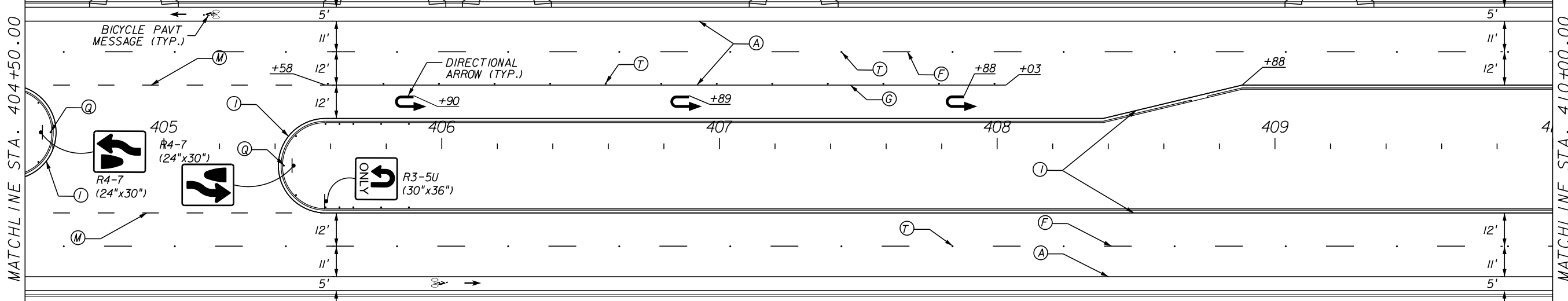
**66th AVENUE
 SIGNING AND MARKING**

SHEET NO.
 5-9



MATCHLINE STA. 404+50.00

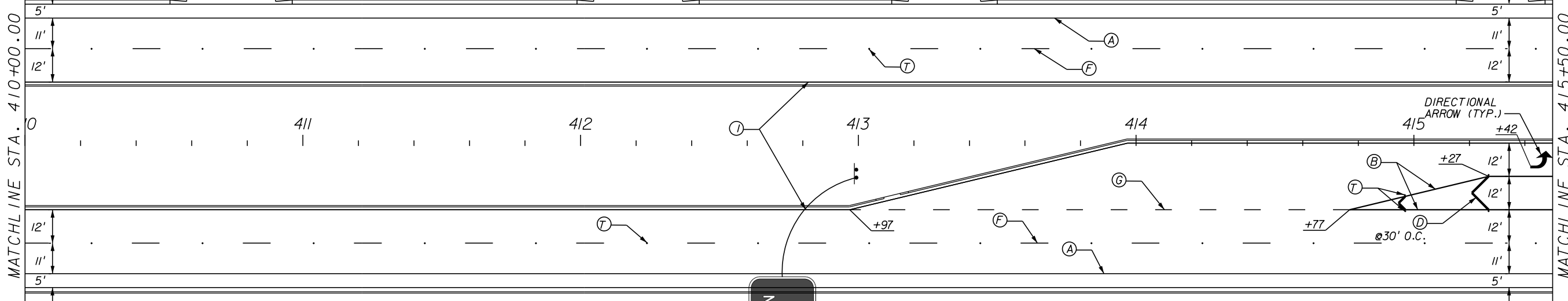
MATCHLINE STA. 410+00.00



STRIPING KEY	
A	= 6" SOLID WHITE
B	= 8" SOLID WHITE
C	= 12" SOLID WHITE
D	= 18" SOLID WHITE
E	= 24" SOLID WHITE
F	= 6" SKIP WHITE TYP (10'-30')
G	= 6" SKIP WHITE TYP (6'-10')
H	= 6" SKIP WHITE TYP (2'-4')
I	= 6" SOLID YELLOW
J	= 18" SOLID YELLOW
K	= 6" DOUBLE YELLOW
L	= 6" SKIP YELLOW TYP (10'-30')
M	= 6" SKIP YELLOW TYP (6'-10')
N	= 6" SKIP YELLOW TYP (2'-4')
P	= RPM MONO-DIRECTIONAL WHITE/CLEAR
Q	= RPM BI-DIRECTIONAL AMBER/AMBER
R	= FDP WHITE
S	= FDP YELLOW
T	= RPM BI-DIRECTIONAL WHITE/RED

MATCHLINE STA. 410+00.00

MATCHLINE STA. 415+50.00



69th St
NEXT SIGNAL

D3-2-M1
REFER TO GUIDE
SIGN DETAILS
(6'X3')

REVISIONS				
NO.	DESCRIPTION	DATE	BY	DESCRIPTION

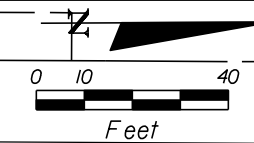
Kimley»Horn
BRIAN A. GOOD, P.E.
 P.E. LICENSE NUMBER 56939
 445 24th STREET, SUITE 200
 VERO BEACH, FL 32960
 (772) 794-4100
 CERTIFICATE OF AUTHORIZATION# 00000696

**INDIAN RIVER COUNTY
 BOARD OF COUNTY COMMISSIONERS**
**66th AVENUE ROADWAY WIDENING -
 PHASE IB 49th STREET TO 69th STREET**

**66th AVENUE
 SIGNING AND MARKING**

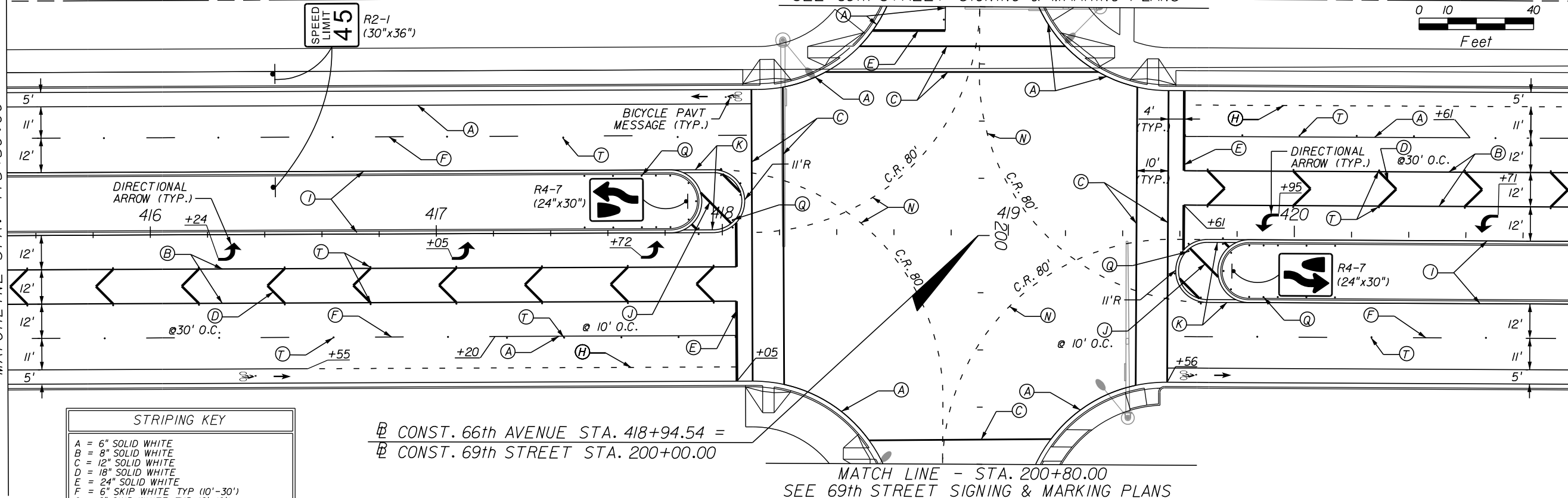
SHEET NO.
S-10

MATCH LINE - STA. 199+20.00
SEE 69th STREET SIGNING & MARKING PLANS



MATCHLINE STA. 415+50.00

MATCHLINE STA. 421+00.00



STRIPING KEY

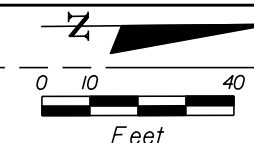
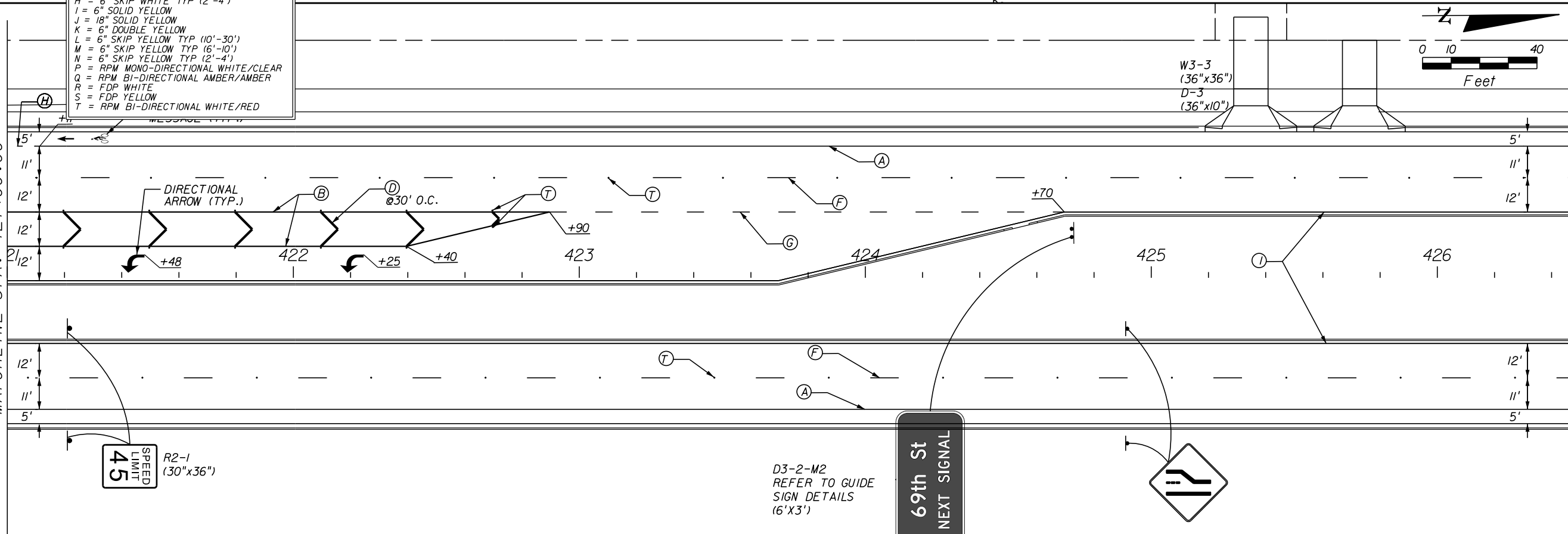
- A = 6" SOLID WHITE
- B = 8" SOLID WHITE
- C = 12" SOLID WHITE
- D = 18" SOLID WHITE
- E = 24" SOLID WHITE
- F = 6" SKIP WHITE TYP (10'-30')
- G = 6" SKIP WHITE TYP (6'-10')
- H = 6" SKIP WHITE TYP (2'-4')
- I = 6" SOLID YELLOW
- J = 18" SOLID YELLOW
- K = 6" DOUBLE YELLOW
- L = 6" SKIP YELLOW TYP (10'-30')
- M = 6" SKIP YELLOW TYP (6'-10')
- N = 6" SKIP YELLOW TYP (2'-4')
- P = RPM MONO-DIRECTIONAL WHITE/CLEAR
- Q = RPM BI-DIRECTIONAL AMBER/AMBER
- R = FDP WHITE
- S = FDP YELLOW
- T = RPM BI-DIRECTIONAL WHITE/RED

CONST. 66th AVENUE STA. 418+94.54 =
CONST. 69th STREET STA. 200+00.00

MATCH LINE - STA. 200+80.00
SEE 69th STREET SIGNING & MARKING PLANS

MATCHLINE STA. 421+00.00

MATCHLINE STA. 426+50.00



SPEED LIMIT 45
R2-1
(30"x36")

69th St
NEXT SIGNAL

D3-2-M2
REFER TO GUIDE
SIGN DETAILS
(6'X3')

REVISIONS

DESCRIPTION	DATE	BY	DESCRIPTION

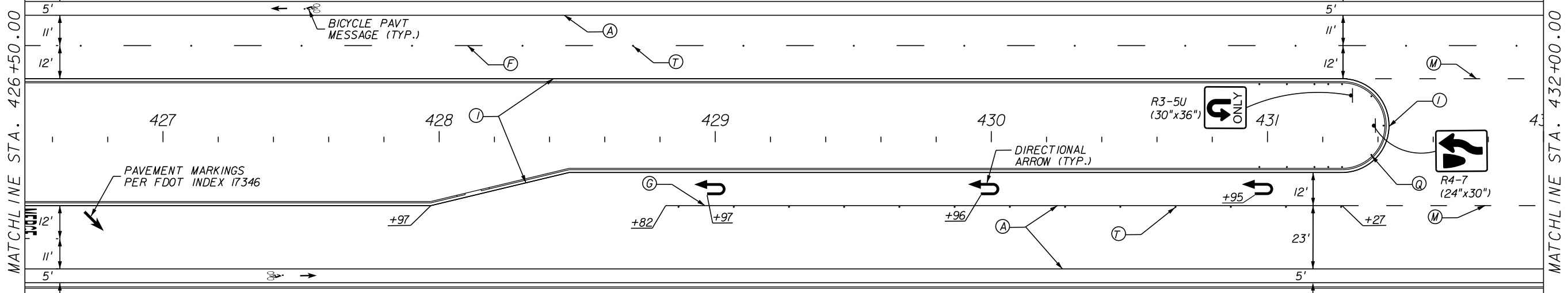
Kimley»Horn
BRIAN A. GOOD, P.E.
P.E. LICENSE NUMBER 56939
445 24th STREET, SUITE 200
VERO BEACH, FL 32960
(772) 794-4100
CERTIFICATE OF AUTHORIZATION# 00000696

**INDIAN RIVER COUNTY
BOARD OF COUNTY COMMISSIONERS**
66th AVENUE ROADWAY WIDENING -
PHASE IB 49th STREET TO 69th STREET

**66th AVENUE
SIGNING AND MARKING**

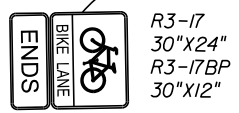
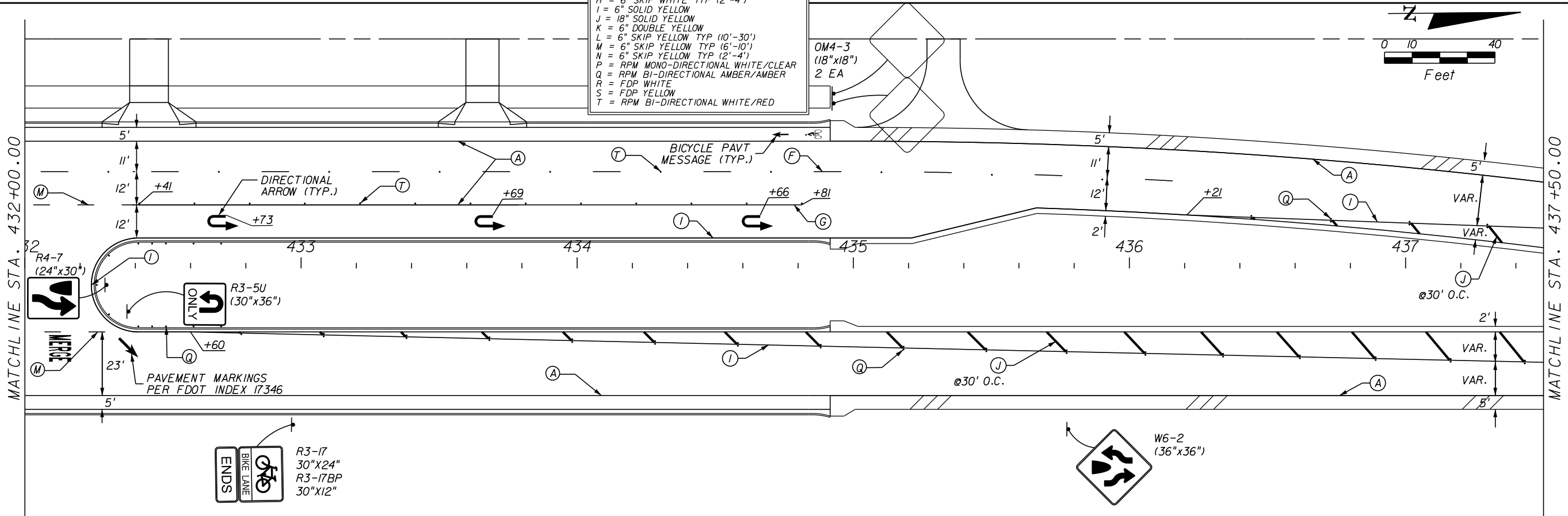
SHEET NO.
S-11

THE OFFICIAL RECORD OF THIS SHEET IS THE ELECTRONIC FILE DIGITALLY SIGNED AND SEALED UNDER RULE 61G15-23.004, F.A.C. I.R.C.O. Proj. No. 1505



STRIPING KEY

- A = 6" SOLID WHITE
- B = 8" SOLID WHITE
- C = 12" SOLID WHITE
- D = 18" SOLID WHITE
- E = 24" SOLID WHITE
- F = 6" SKIP WHITE TYP (10'-30')
- G = 6" SKIP WHITE TYP (6'-10')
- H = 6" SKIP WHITE TYP (2'-4')
- I = 6" SOLID YELLOW
- J = 18" SOLID YELLOW
- K = 6" DOUBLE YELLOW
- L = 6" SKIP YELLOW TYP (10'-30')
- M = 6" SKIP YELLOW TYP (6'-10')
- N = 6" SKIP YELLOW TYP (2'-4')
- P = RPM MONO-DIRECTIONAL WHITE/CLEAR
- Q = RPM BI-DIRECTIONAL AMBER/AMBER
- R = FDP WHITE
- S = FDP YELLOW
- T = RPM BI-DIRECTIONAL WHITE/RED



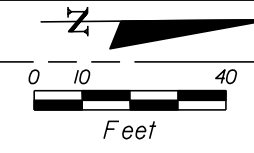
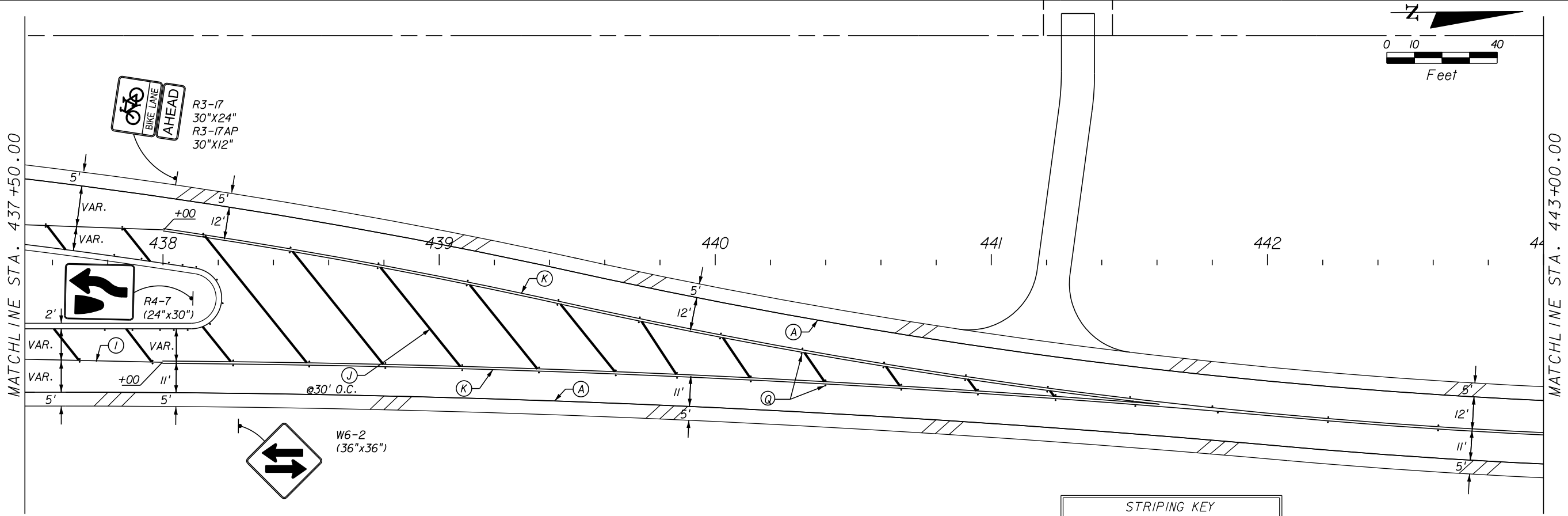
REVISIONS			
DESCRIPTION	DATE	BY	DESCRIPTION

Kimley»Horn
 BRIAN A. GOOD, P.E.
 P.E. LICENSE NUMBER 56939
 445 24th STREET, SUITE 200
 VERO BEACH, FL 32960
 (772) 794-4100
 CERTIFICATE OF AUTHORIZATION# 00000696

**INDIAN RIVER COUNTY
 BOARD OF COUNTY COMMISSIONERS**
**66th AVENUE ROADWAY WIDENING -
 PHASE IB 49th STREET TO 69th STREET**

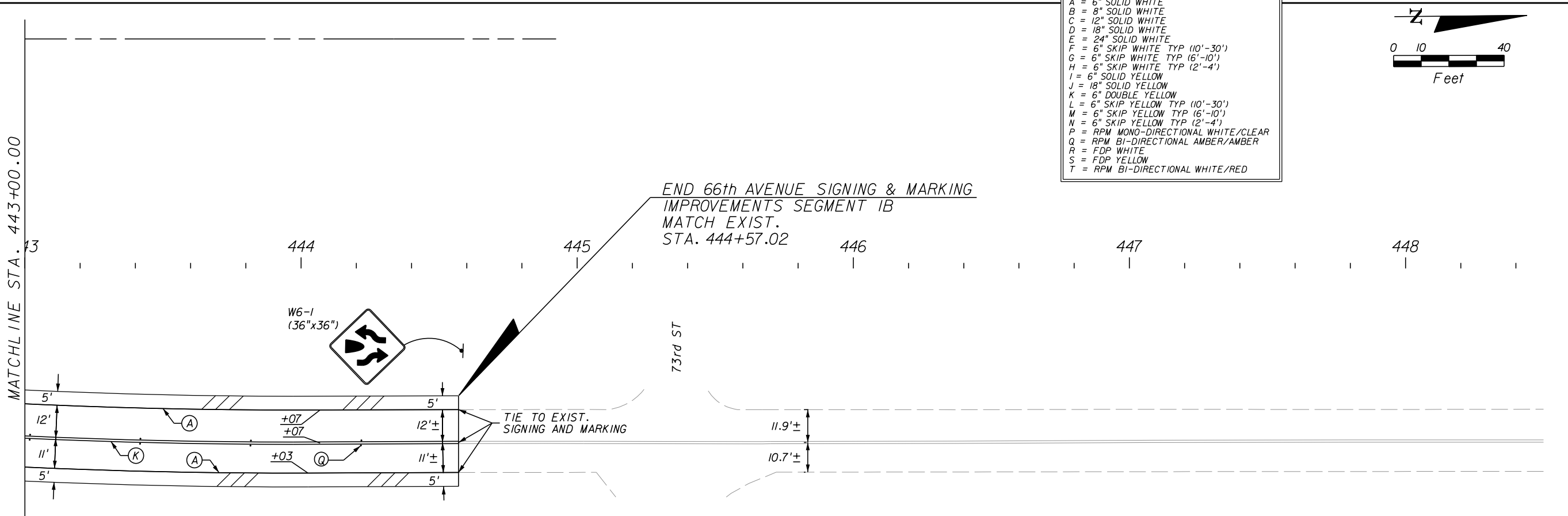
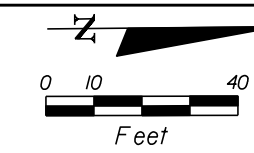
**66th AVENUE
 SIGNING AND MARKING**

SHEET NO.	5-12
-----------	------



STRIPING KEY

- A = 6" SOLID WHITE
- B = 8" SOLID WHITE
- C = 12" SOLID WHITE
- D = 18" SOLID WHITE
- E = 24" SOLID WHITE
- F = 6" SKIP WHITE TYP (10'-30')
- G = 6" SKIP WHITE TYP (6'-10')
- H = 6" SKIP WHITE TYP (2'-4')
- I = 6" SOLID YELLOW
- J = 12" SOLID YELLOW
- K = 6" DOUBLE YELLOW
- L = 6" SKIP YELLOW TYP (10'-30')
- M = 6" SKIP YELLOW TYP (6'-10')
- N = 6" SKIP YELLOW TYP (2'-4')
- P = RPM MONO-DIRECTIONAL WHITE/CLEAR
- Q = RPM BI-DIRECTIONAL AMBER/AMBER
- R = FDP WHITE
- S = FDP YELLOW
- T = RPM BI-DIRECTIONAL WHITE/RED



REVISIONS

DESCRIPTION	DATE	BY	DESCRIPTION

Kimley»Horn

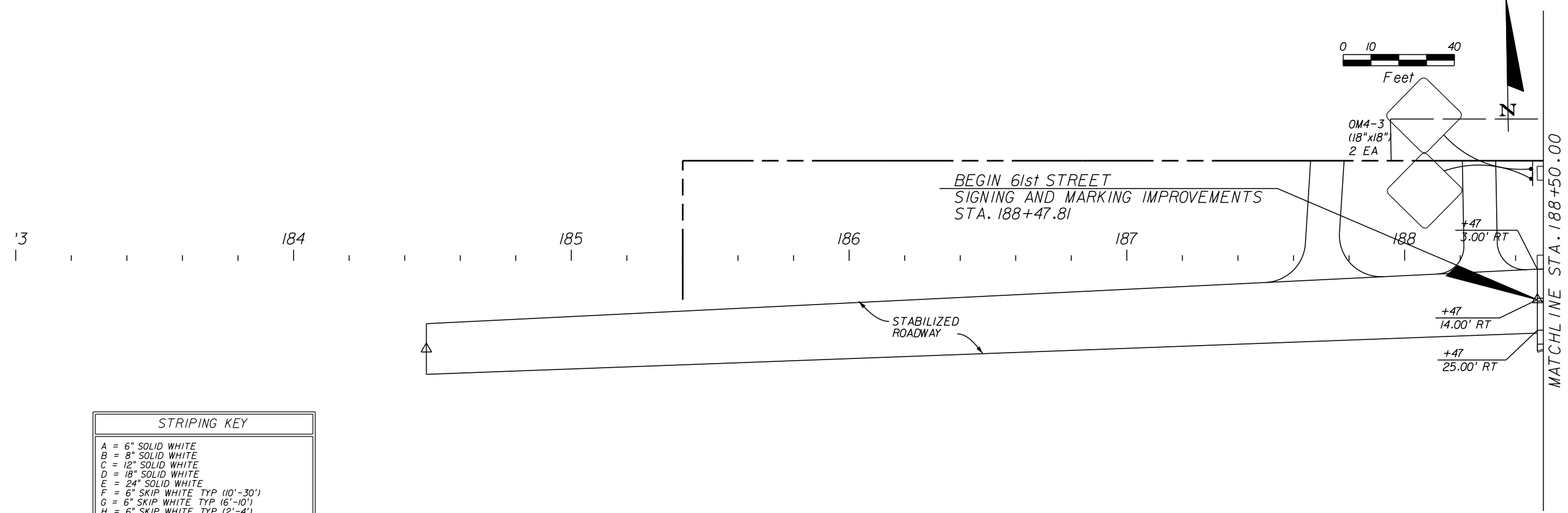
BRIAN A. GOOD, P.E.
 P.E. LICENSE NUMBER 56939
 445 24th STREET, SUITE 200
 VERO BEACH, FL 32960
 (772) 794-4100
 CERTIFICATE OF AUTHORIZATION# 00000696

INDIAN RIVER COUNTY BOARD OF COUNTY COMMISSIONERS

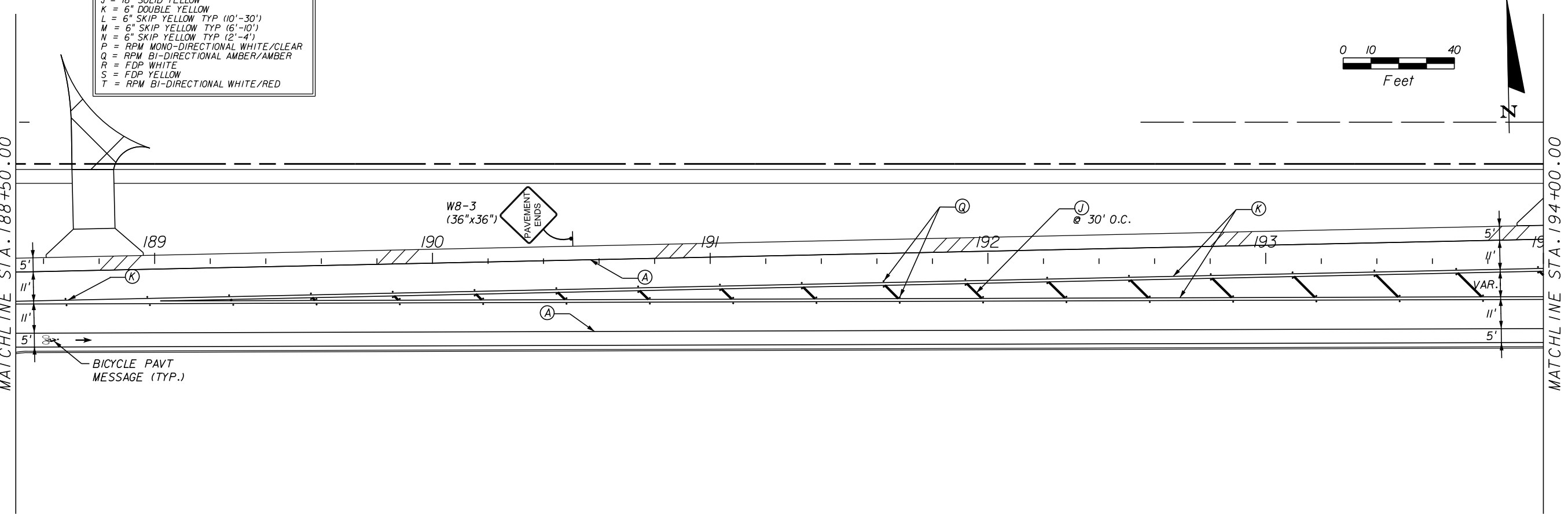
66th AVENUE ROADWAY WIDENING - PHASE IB 49th STREET TO 69th STREET

66th AVENUE SIGNING AND MARKING

SHEET NO. S-13



STRIPING KEY	
A	= 6" SOLID WHITE
B	= 8" SOLID WHITE
C	= 12" SOLID WHITE
D	= 18" SOLID WHITE
E	= 24" SOLID WHITE
F	= 6" SKIP WHITE TYP (10'-30')
G	= 6" SKIP WHITE TYP (6'-10')
H	= 6" SKIP WHITE TYP (2'-4')
I	= 6" SOLID YELLOW
J	= 18" SOLID YELLOW
K	= 6" DOUBLE YELLOW
L	= 6" SKIP YELLOW TYP (10'-30')
M	= 6" SKIP YELLOW TYP (6'-10')
N	= 6" SKIP YELLOW TYP (2'-4')
P	= RPM MONO-DIRECTIONAL WHITE/CLEAR
Q	= RPM BI-DIRECTIONAL AMBER/AMBER
R	= FDP WHITE
S	= FDP YELLOW
T	= RPM BI-DIRECTIONAL WHITE/RED



REVISIONS				
DESCRIPTION	DATE	BY	DESCRIPTION	

Kimley»Horn
 BRIAN A. GOOD, P.E.
 P.E. LICENSE NUMBER 56939
 445 24th STREET, SUITE 200
 VERO BEACH, FL 32960
 (772) 794-4100
 CERTIFICATE OF AUTHORIZATION# 00000696

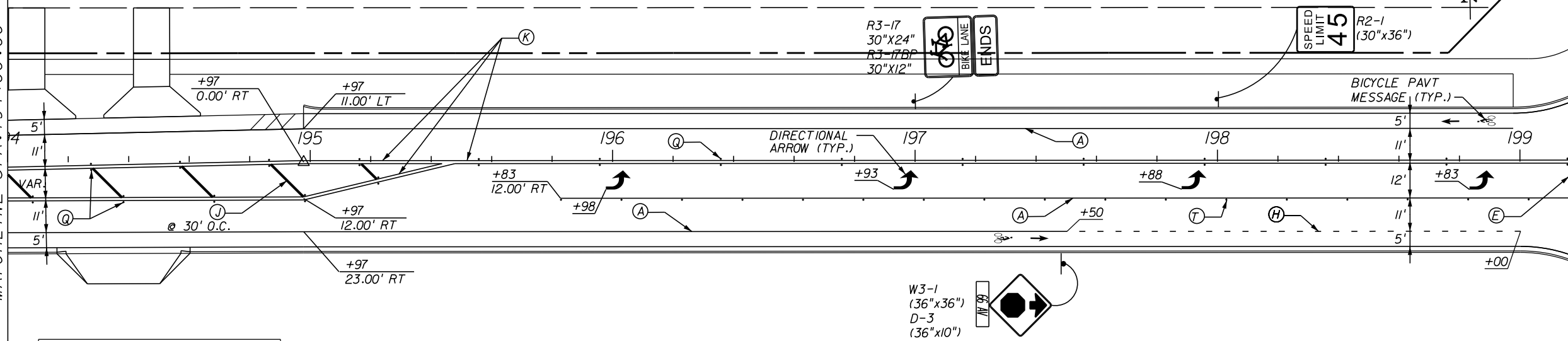
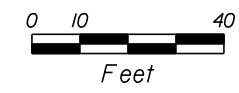
**INDIAN RIVER COUNTY
 BOARD OF COUNTY COMMISSIONERS**
 66th AVENUE ROADWAY WIDENING -
 PHASE IB 49th STREET TO 69th STREET

**61st STREET
 SIGNING AND MARKING**

SHEET NO.
 S-14

MATCHLINE STA. 194+00.00

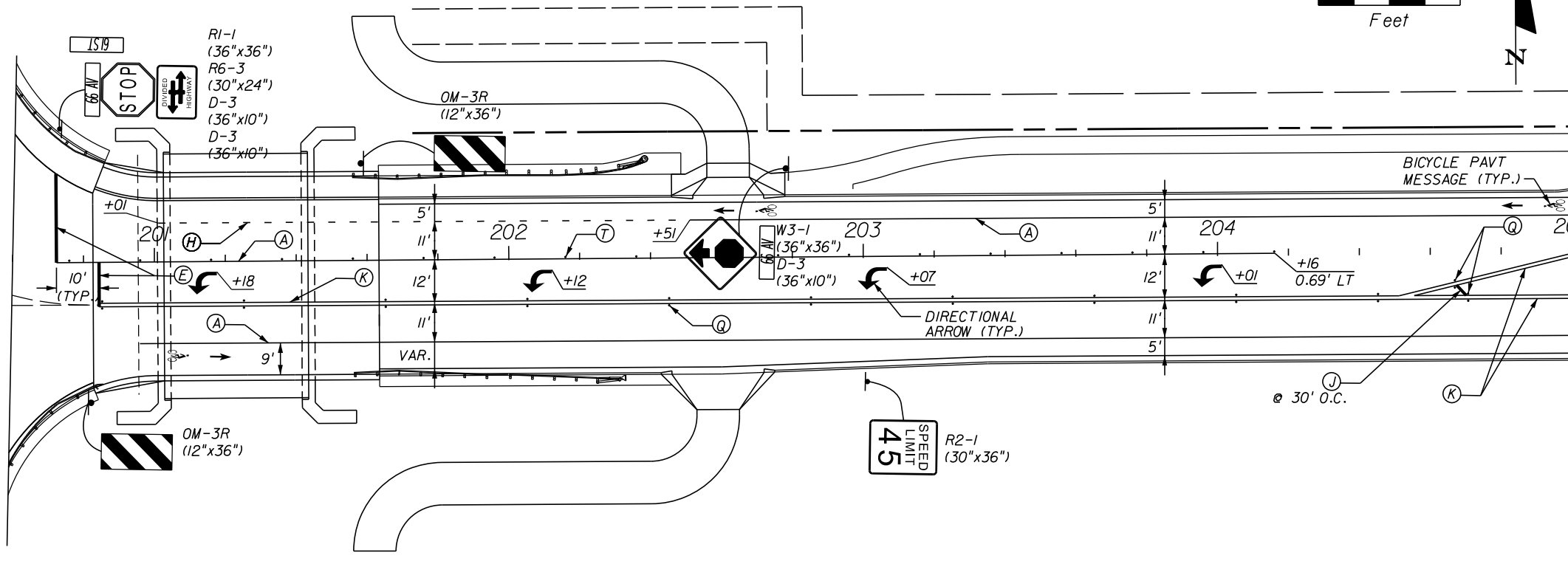
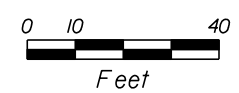
MATCHLINE STA. 199+20.00
SEE 66TH AVENUE SIGNING & MARKING SHEETS



STRIPING KEY	
A	6" SOLID WHITE
B	8" SOLID WHITE
C	12" SOLID WHITE
D	18" SOLID WHITE
E	24" SOLID WHITE
F	6" SKIP WHITE TYP (10'-30')
G	6" SKIP WHITE TYP (6'-10')
H	6" SKIP WHITE TYP (2'-4')
I	6" SOLID YELLOW
J	18" SOLID YELLOW
K	6" DOUBLE YELLOW
L	6" SKIP YELLOW TYP (10'-30')
M	6" SKIP YELLOW TYP (6'-10')
N	6" SKIP YELLOW TYP (2'-4')
P	RPM MONO-DIRECTIONAL WHITE/CLEAR
Q	RPM BI-DIRECTIONAL AMBER/AMBER
R	FDP WHITE
S	FDP YELLOW
T	RPM BI-DIRECTIONAL WHITE/RED

MATCHLINE STA. 200+60.00
SEE 66TH AVENUE SIGNING & MARKING SHEETS

MATCHLINE STA. 205+00.00



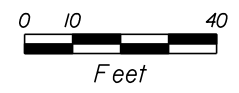
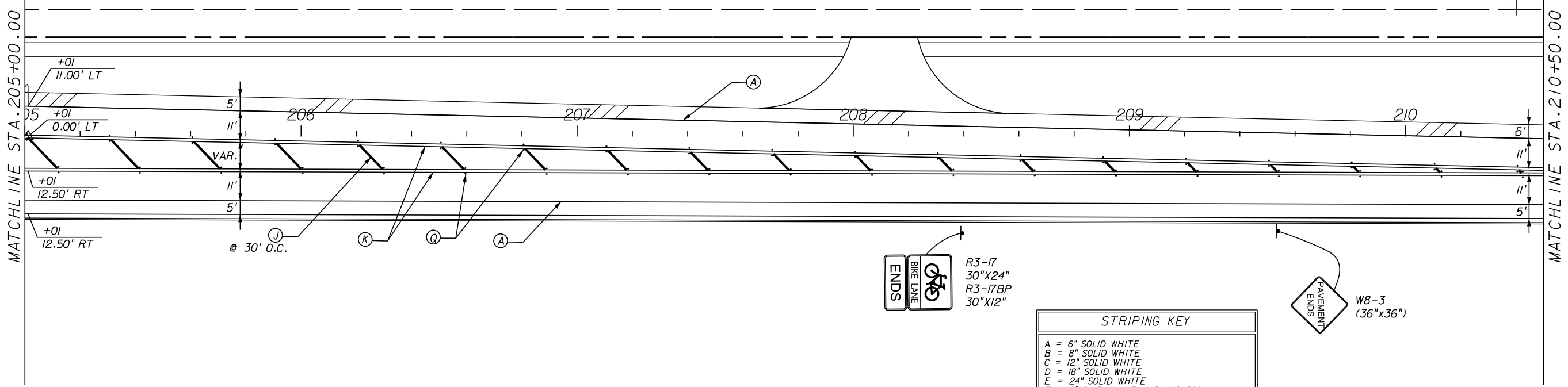
REVISIONS			
DESCRIPTION	DATE	BY	DESCRIPTION

Kimley»Horn
 BRIAN A. GOOD, P.E.
 P.E. LICENSE NUMBER 56939
 445 24th STREET, SUITE 200
 VERO BEACH, FL 32960
 (772) 794-4100
 CERTIFICATE OF AUTHORIZATION# 00000696

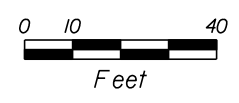
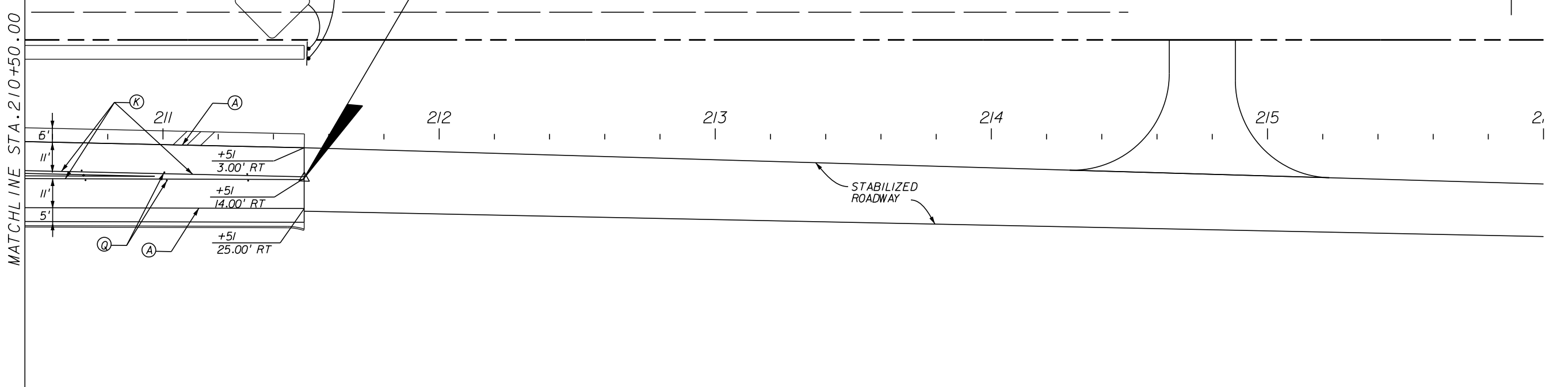
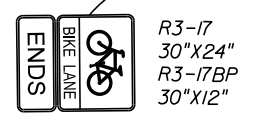
**INDIAN RIVER COUNTY
 BOARD OF COUNTY COMMISSIONERS**
**66th AVENUE ROADWAY WIDENING -
 PHASE IB 49th STREET TO 69th STREET**

**61st STREET
 SIGNING AND MARKING**

SHEET NO.
 S-15



STRIPING KEY	
A	= 6" SOLID WHITE
B	= 8" SOLID WHITE
C	= 12" SOLID WHITE
D	= 18" SOLID WHITE
E	= 24" SOLID WHITE
F	= 6" SKIP WHITE TYP (10'-30')
G	= 6" SKIP WHITE TYP (6'-10')
H	= 6" SKIP WHITE TYP (2'-4')
I	= 6" SOLID YELLOW
J	= 18" SOLID YELLOW
K	= 6" DOUBLE YELLOW
L	= 6" SKIP YELLOW TYP (10'-30')
M	= 6" SKIP YELLOW TYP (6'-10')
N	= 6" SKIP YELLOW TYP (2'-4')
P	= RPM MONO-DIRECTIONAL WHITE/CLEAR
Q	= RPM BI-DIRECTIONAL AMBER/AMBER
R	= FDP WHITE
S	= FDP YELLOW
T	= RPM BI-DIRECTIONAL WHITE/RED



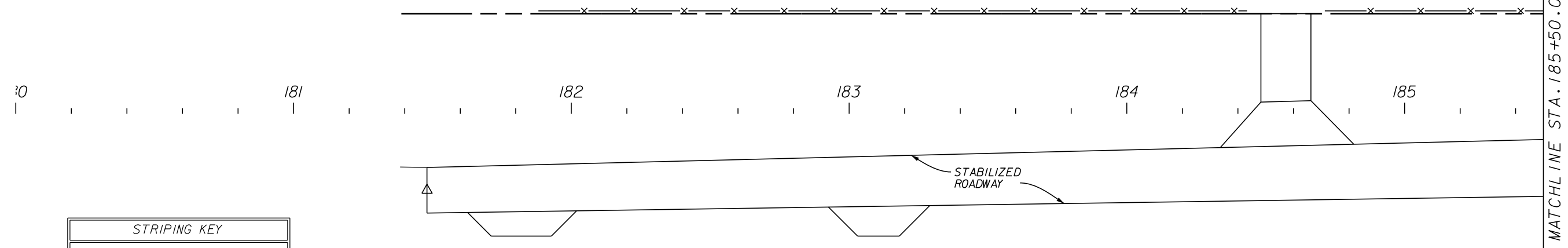
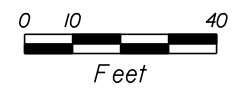
REVISIONS				
NO.	DESCRIPTION	DATE	BY	DESCRIPTION

Kimley»Horn
 BRIAN A. GOOD, P.E.
 P.E. LICENSE NUMBER 56939
 445 24th STREET, SUITE 200
 VERO BEACH, FL 32960
 (772) 794-4100
 CERTIFICATE OF AUTHORIZATION# 00000696

**INDIAN RIVER COUNTY
 BOARD OF COUNTY COMMISSIONERS**
**66th AVENUE ROADWAY WIDENING -
 PHASE IB 49th STREET TO 69th STREET**

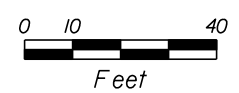
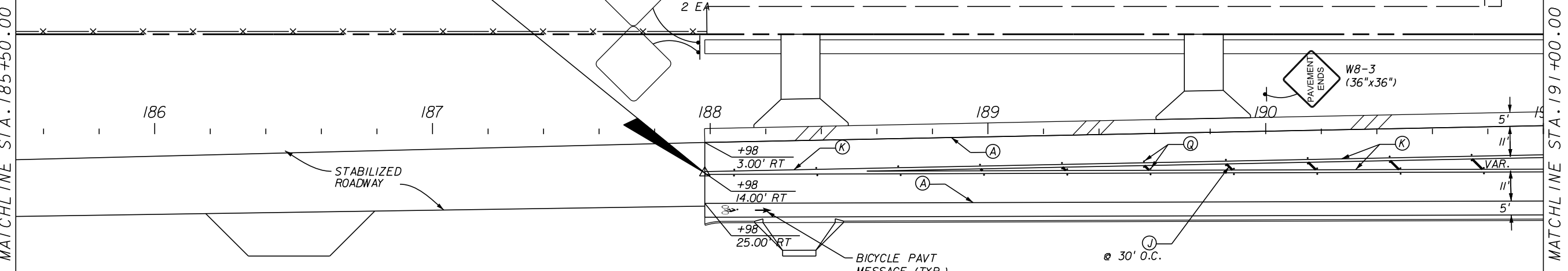
**61st STREET
 SIGNING AND MARKING**

SHEET NO.
 S-16



STRIPING KEY	
A	= 6" SOLID WHITE
B	= 8" SOLID WHITE
C	= 12" SOLID WHITE
D	= 18" SOLID WHITE
E	= 24" SOLID WHITE
F	= 6" SKIP WHITE TYP (10'-30')
G	= 6" SKIP WHITE TYP (6'-10')
H	= 6" SKIP WHITE TYP (2'-4')
I	= 6" SOLID YELLOW
J	= 18" SOLID YELLOW
K	= 6" DOUBLE YELLOW
L	= 6" SKIP YELLOW TYP (10'-30')
M	= 6" SKIP YELLOW TYP (6'-10')
N	= 6" SKIP YELLOW TYP (2'-4')
P	= RPM MONO-DIRECTIONAL WHITE/CLEAR
Q	= RPM BI-DIRECTIONAL AMBER/AMBER
R	= FDP WHITE
S	= FDP YELLOW
T	= RPM BI-DIRECTIONAL WHITE/RED

BEGIN 65th STREET
SIGNING AND MARKING IMPROVEMENTS
STA. 187+98.04



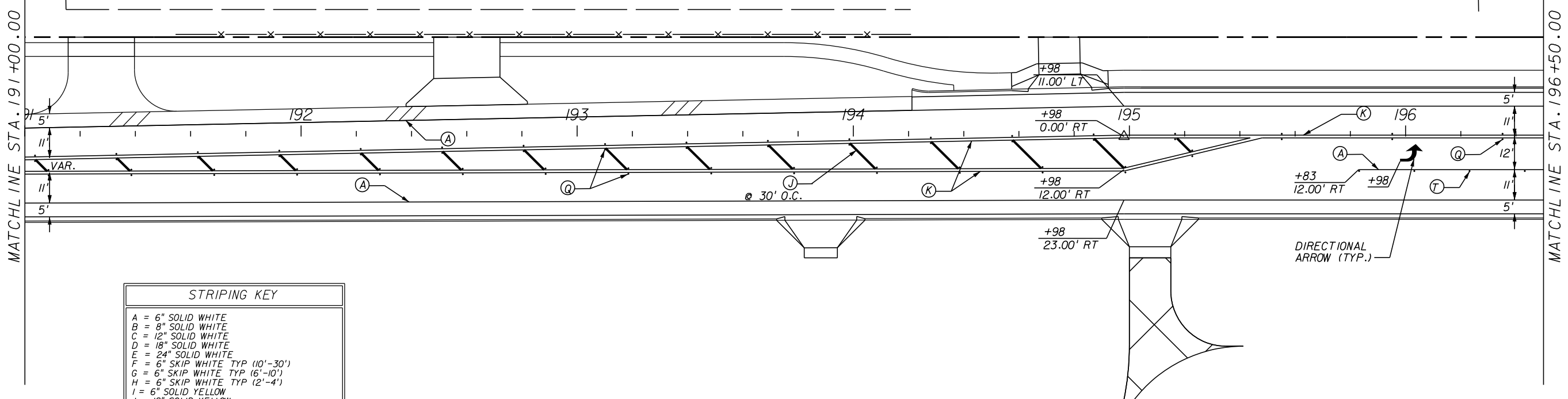
REVISIONS				
DESCRIPTION	DATE	BY	DESCRIPTION	

Kimley»Horn
 BRIAN A. GOOD, P.E.
 P.E. LICENSE NUMBER 56939
 445 24th STREET, SUITE 200
 VERO BEACH, FL 32960
 (772) 794-4100
 CERTIFICATE OF AUTHORIZATION# 00000696

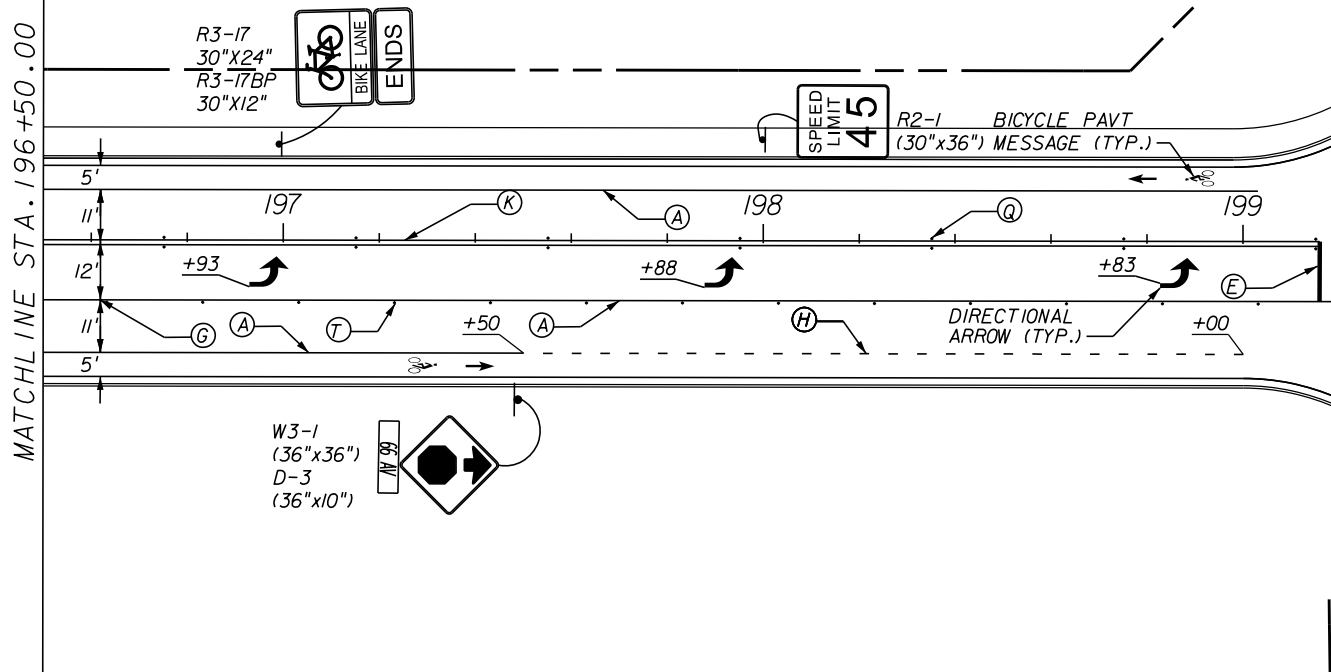
**INDIAN RIVER COUNTY
 BOARD OF COUNTY COMMISSIONERS**
**66th AVENUE ROADWAY WIDENING -
 PHASE IB 49th STREET TO 69th STREET**

**65th STREET
 SIGNING AND MARKING**

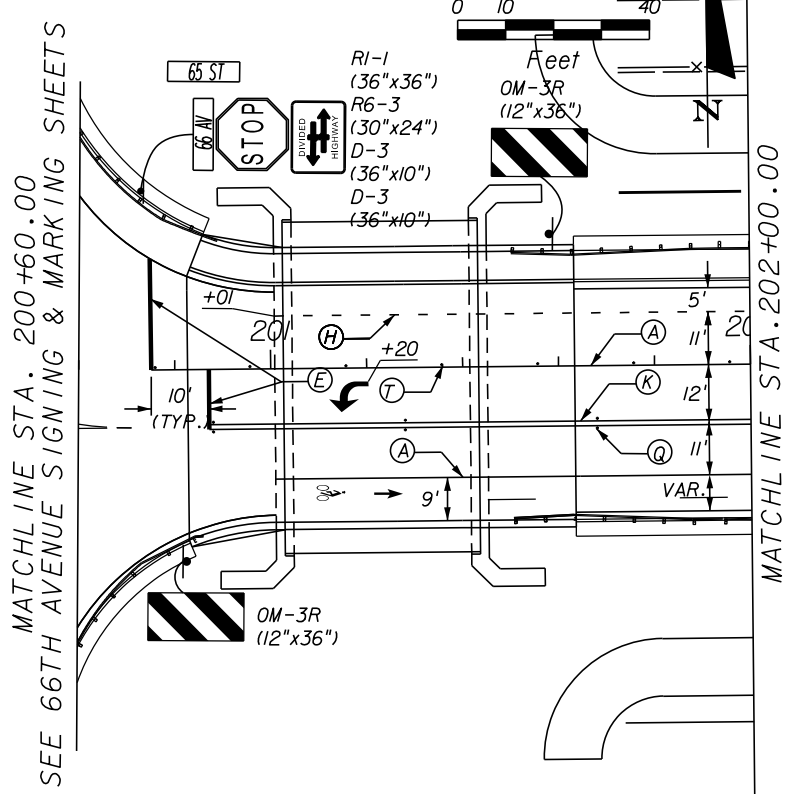
SHEET NO.
 S-17



STRIPING KEY	
A	= 6" SOLID WHITE
B	= 8" SOLID WHITE
C	= 12" SOLID WHITE
D	= 18" SOLID WHITE
E	= 24" SOLID WHITE
F	= 6" SKIP WHITE TYP (10'-30')
G	= 6" SKIP WHITE TYP (6'-10')
H	= 6" SKIP WHITE TYP (2'-4')
I	= 6" SOLID YELLOW
J	= 18" SOLID YELLOW
K	= 6" DOUBLE YELLOW
L	= 6" SKIP YELLOW TYP (10'-30')
M	= 6" SKIP YELLOW TYP (6'-10')
N	= 6" SKIP YELLOW TYP (2'-4')
P	= RPM MONO-DIRECTIONAL WHITE/CLEAR
Q	= RPM BI-DIRECTIONAL AMBER/AMBER
R	= FDP WHITE
S	= FDP YELLOW
T	= RPM BI-DIRECTIONAL WHITE/RED



SEE 66TH AVENUE SIGNING & MARKING SHEETS



REVISIONS				
DESCRIPTION	DATE	BY	DESCRIPTION	

Kimley»Horn
 BRIAN A. GOOD, P.E.
 P.E. LICENSE NUMBER 56939
 445 24th STREET, SUITE 200
 VERO BEACH, FL 32960
 (772) 794-4100
 CERTIFICATE OF AUTHORIZATION# 00000696

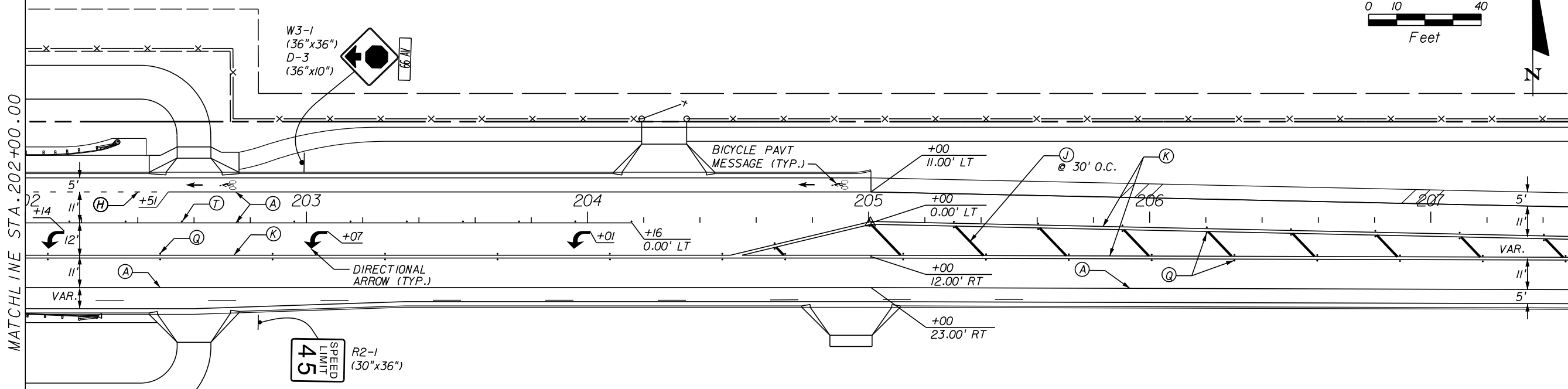
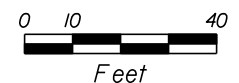
**INDIAN RIVER COUNTY
 BOARD OF COUNTY COMMISSIONERS**
**66th AVENUE ROADWAY WIDENING -
 PHASE IB 49th STREET TO 69th STREET**

**65th STREET
 SIGNING AND MARKING**

SHEET NO.
 S-18

MATCHLINE STA. 202+00.00

MATCHLINE STA. 207+50.00

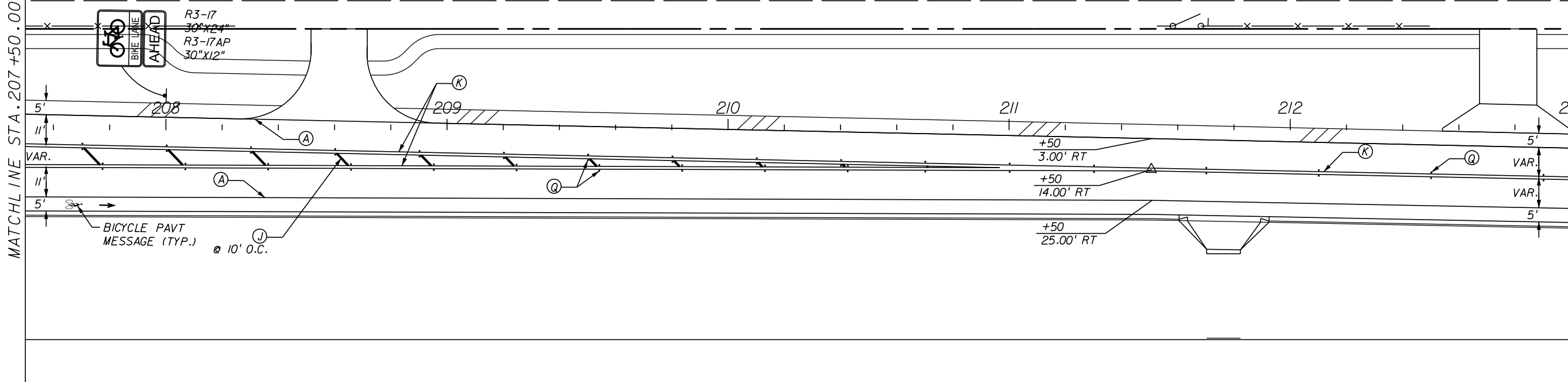


STRIPING KEY

A	= 6" SOLID WHITE
B	= 8" SOLID WHITE
C	= 12" SOLID WHITE
D	= 18" SOLID WHITE
F	= 24" SOLID WHITE
G	= 6" SKIP WHITE TYP (10'-30')
H	= 6" SKIP WHITE TYP (6'-10')
I	= 6" SKIP WHITE TYP (2'-4')
J	= 6" SOLID YELLOW
K	= 18" SOLID YELLOW
L	= 6" DOUBLE YELLOW
M	= 6" SKIP YELLOW TYP (10'-30')
N	= 6" SKIP YELLOW TYP (6'-10')
O	= 6" SKIP YELLOW TYP (2'-4')
P	= RPM MONO-DIRECTIONAL WHITE/CLEAR
Q	= RPM BI-DIRECTIONAL AMBER/AMBER
R	= FDP WHITE
S	= FDP YELLOW
T	= RPM BI-DIRECTIONAL WHITE/RED

MATCHLINE STA. 207+50.00

MATCHLINE STA. 213+00.00



REVISIONS

DESCRIPTION	DATE	BY	DESCRIPTION

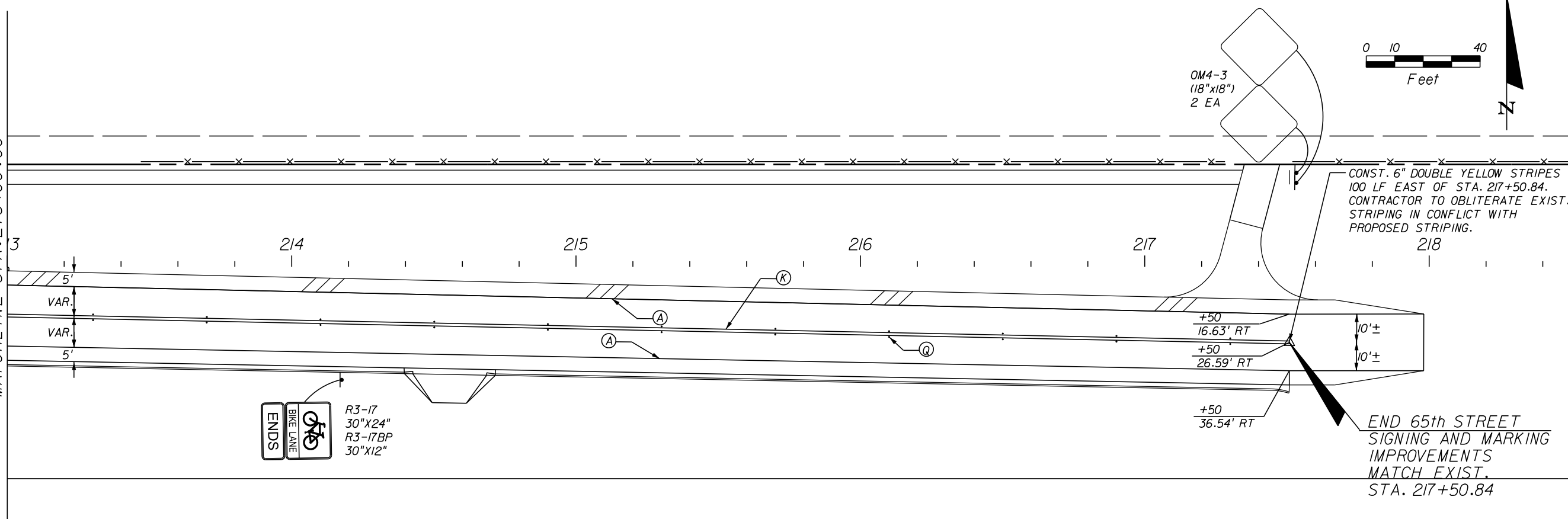
Kimley»Horn
BRIAN A. GOOD, P.E.
 P.E. LICENSE NUMBER 56939
 445 24th STREET, SUITE 200
 VERO BEACH, FL 32960
 (772) 794-4100
 CERTIFICATE OF AUTHORIZATION# 00000696

**INDIAN RIVER COUNTY
 BOARD OF COUNTY COMMISSIONERS
 66th AVENUE ROADWAY WIDENING -
 PHASE IB 49th STREET TO 69th STREET**

**65th STREET
 SIGNING AND MARKING**

SHEET NO.
 S-19

MATCHLINE STA. 213+00.00



ENDS
BIKE LANE
R3-17
30"x24"
R3-17BP
30"x12"

CONST. 6" DOUBLE YELLOW STRIPES
100 LF EAST OF STA. 217+50.84.
CONTRACTOR TO OBLITERATE EXIST.
STRIPING IN CONFLICT WITH
PROPOSED STRIPING.

+50
16.63' RT
+50
26.59' RT
+50
36.54' RT

END 65th STREET
SIGNING AND MARKING
IMPROVEMENTS
MATCH EXIST.
STA. 217+50.84

STRIPING KEY	
A	= 6" SOLID WHITE
B	= 8" SOLID WHITE
C	= 12" SOLID WHITE
D	= 18" SOLID WHITE
E	= 24" SOLID WHITE
F	= 6" SKIP WHITE TYP (10'-30')
G	= 6" SKIP WHITE TYP (6'-10')
H	= 6" SKIP WHITE TYP (2'-4')
I	= 6" SOLID YELLOW
J	= 18" SOLID YELLOW
K	= 6" DOUBLE YELLOW
L	= 6" SKIP YELLOW TYP (10'-30')
M	= 6" SKIP YELLOW TYP (6'-10')
N	= 6" SKIP YELLOW TYP (2'-4')
P	= RPM MONO-DIRECTIONAL WHITE/CLEAR
Q	= RPM BI-DIRECTIONAL AMBER/AMBER
R	= FDP WHITE
S	= FDP YELLOW
T	= RPM BI-DIRECTIONAL WHITE/RED

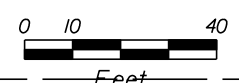
REVISIONS				
NO.	DESCRIPTION	DATE	BY	DESCRIPTION

Kimley»Horn
 BRIAN A. GOOD, P.E.
 P.E. LICENSE NUMBER 56939
 445 24th STREET, SUITE 200
 VERO BEACH, FL 32960
 (772) 794-4100
 CERTIFICATE OF AUTHORIZATION# 00000696

**INDIAN RIVER COUNTY
 BOARD OF COUNTY COMMISSIONERS**
**66th AVENUE ROADWAY WIDENING -
 PHASE IB 49th STREET TO 69th STREET**

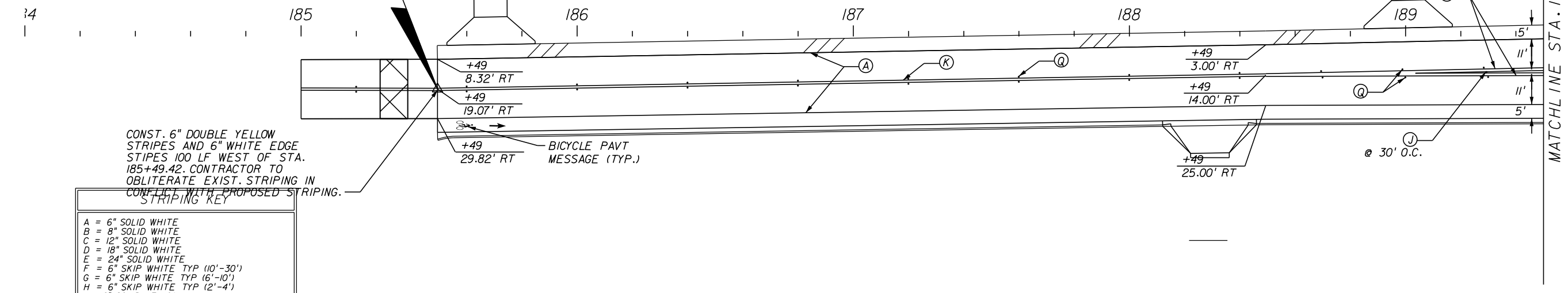
**65th STREET
 SIGNING AND MARKING**

SHEET NO.
S-20



BEGIN 69th STREET
SIGNING AND MARKING IMPROVEMENTS
MATCH EXIST.
STA. 185+49.42

MATCHLINE STA. 189+50.00

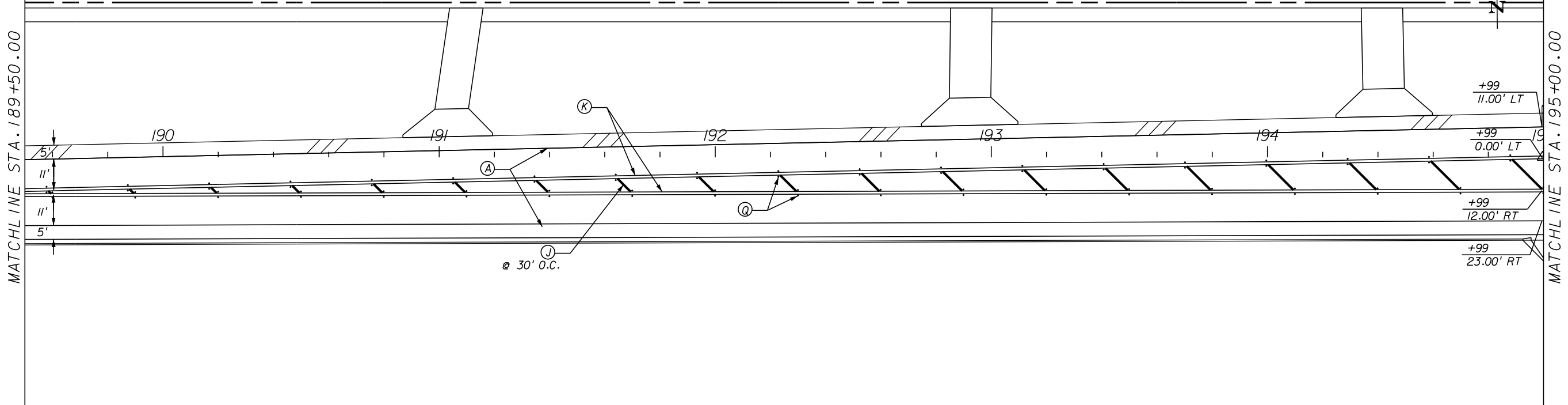


CONST. 6" DOUBLE YELLOW STRIPES AND 6" WHITE EDGE STRIPES 100 LF WEST OF STA. 185+49.42. CONTRACTOR TO OBLITERATE EXIST. STRIPING IN CONFLICT WITH PROPOSED STRIPING.

A	= 6" SOLID WHITE
B	= 8" SOLID WHITE
C	= 12" SOLID WHITE
D	= 18" SOLID WHITE
E	= 24" SOLID WHITE
F	= 6" SKIP WHITE TYP (10'-30')
G	= 6" SKIP WHITE TYP (6'-10')
H	= 6" SKIP WHITE TYP (2'-4')
I	= 6" SOLID YELLOW
J	= 18" SOLID YELLOW
K	= 6" DOUBLE YELLOW
L	= 6" SKIP YELLOW TYP (10'-30')
M	= 6" SKIP YELLOW TYP (6'-10')
N	= 6" SKIP YELLOW TYP (2'-4')
P	= RPM MONO-DIRECTIONAL WHITE/CLEAR
Q	= RPM BI-DIRECTIONAL AMBER/AMBER
R	= FDP WHITE
S	= FDP YELLOW
T	= RPM BI-DIRECTIONAL WHITE/RED

MATCHLINE STA. 189+50.00

MATCHLINE STA. 195+00.00



REVISIONS

DESCRIPTION	DATE	BY	DESCRIPTION

Kimley»Horn
 BRIAN A. GOOD, P.E.
 P.E. LICENSE NUMBER 56939
 445 24th STREET, SUITE 200
 VERO BEACH, FL 32960
 (772) 794-4100
 CERTIFICATE OF AUTHORIZATION# 00000696

**INDIAN RIVER COUNTY
 BOARD OF COUNTY COMMISSIONERS**
**66th AVENUE ROADWAY WIDENING -
 PHASE IB 49th STREET TO 69th STREET**

**69th STREET
 SIGNING AND MARKING**

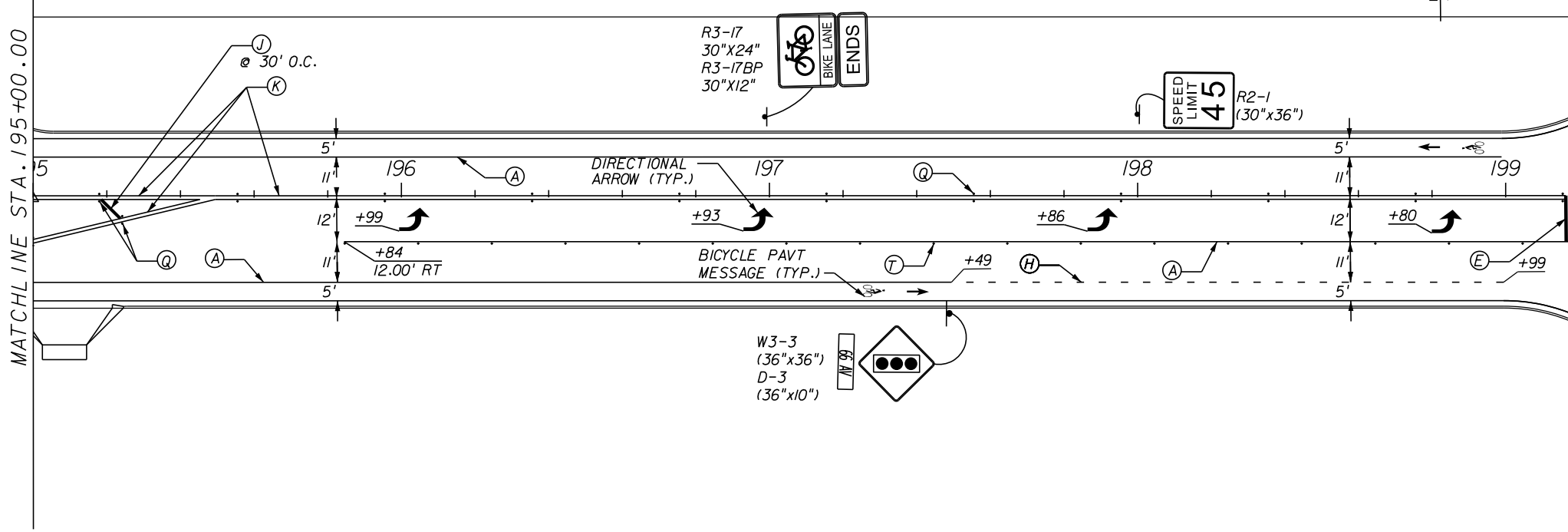
SHEET NO.
 S-21

MATCHLINE STA. 195+00.00

MATCHLINE STA. 199+20.00
SEE 66TH AVENUE SIGNING & MARKING SHEETS

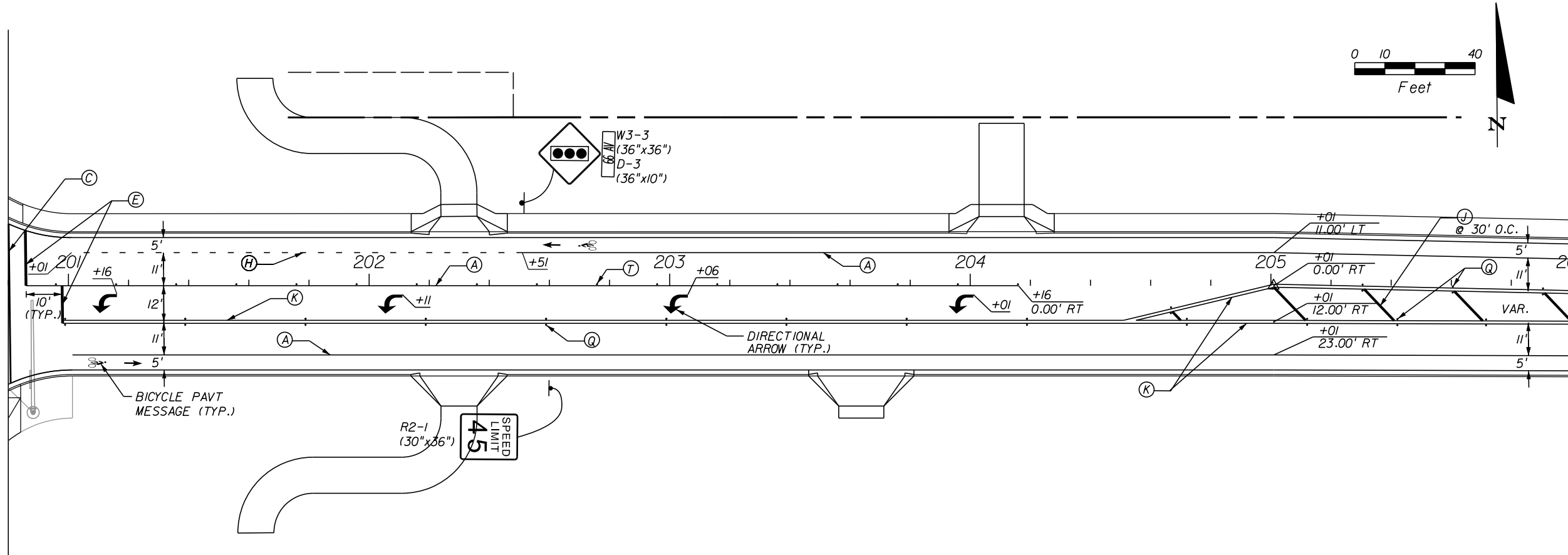
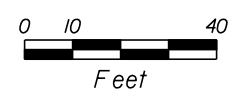


STRIPING KEY	
A	= 6" SOLID WHITE
B	= 8" SOLID WHITE
C	= 12" SOLID WHITE
D	= 18" SOLID WHITE
E	= 24" SOLID WHITE
F	= 6" SKIP WHITE TYP (10'-30')
G	= 6" SKIP WHITE TYP (6'-10')
H	= 6" SKIP WHITE TYP (2'-4')
I	= 6" SOLID YELLOW
J	= 18" SOLID YELLOW
K	= 6" DOUBLE YELLOW
L	= 6" SKIP YELLOW TYP (10'-30')
M	= 6" SKIP YELLOW TYP (6'-10')
N	= 6" SKIP YELLOW TYP (2'-4')
P	= RPM MONO-DIRECTIONAL WHITE/CLEAR
Q	= RPM BI-DIRECTIONAL AMBER/AMBER
R	= FDP WHITE
S	= FDP YELLOW
T	= RPM BI-DIRECTIONAL WHITE/RED



MATCHLINE STA. 200+80.00
SEE 66TH AVENUE SIGNING & MARKING SHEETS

MATCHLINE STA. 206+00.00



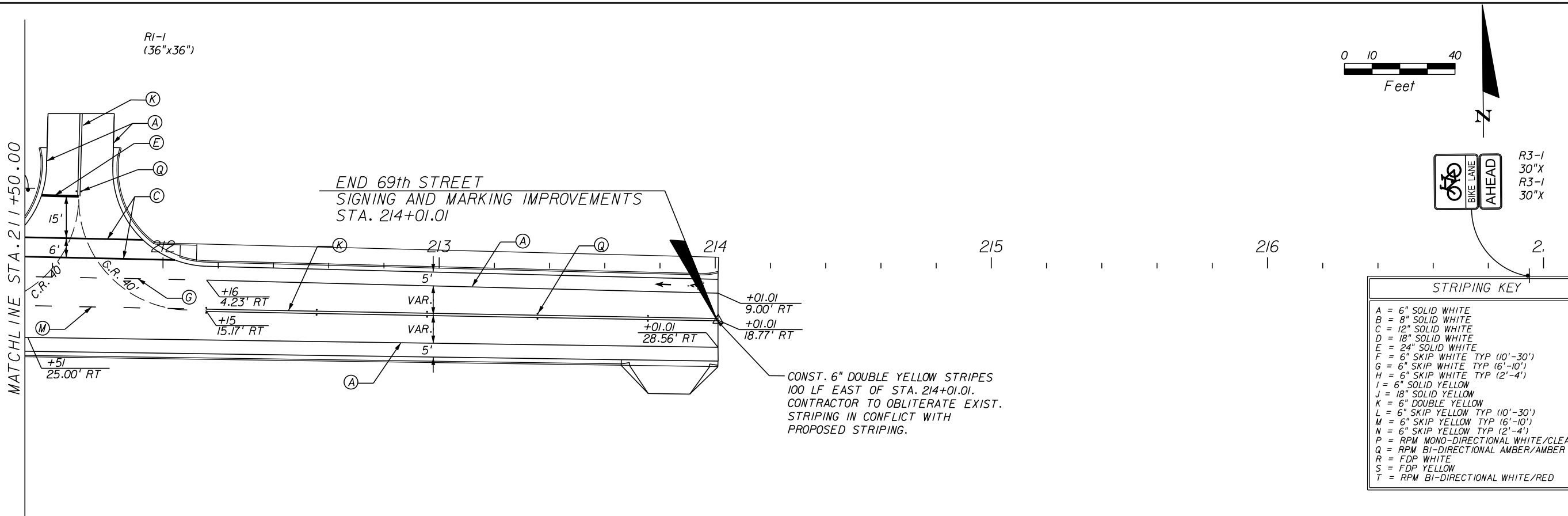
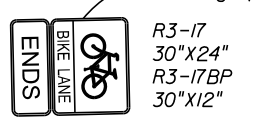
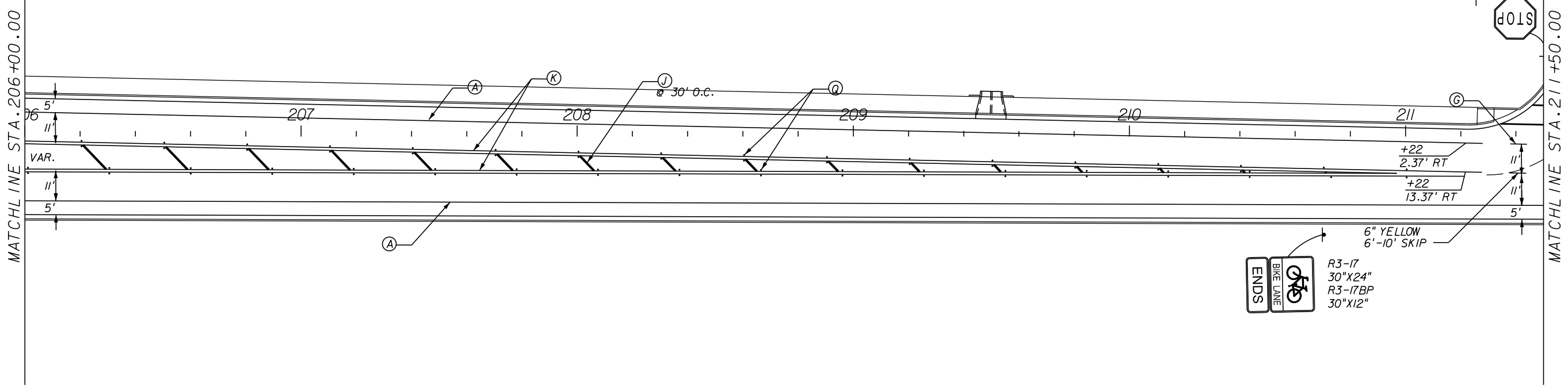
REVISIONS			
DESCRIPTION	DATE	BY	DESCRIPTION

Kimley»Horn
 BRIAN A. GOOD, P.E.
 P.E. LICENSE NUMBER 56939
 445 24th STREET, SUITE 200
 VERO BEACH, FL 32960
 (772) 794-4100
 CERTIFICATE OF AUTHORIZATION# 00000696

**INDIAN RIVER COUNTY
 BOARD OF COUNTY COMMISSIONERS**
**66th AVENUE ROADWAY WIDENING -
 PHASE IB 49th STREET TO 69th STREET**

**69th STREET
 SIGNING AND MARKING**

SHEET NO.
 S-22



STRIPING KEY

- A = 6" SOLID WHITE
- B = 8" SOLID WHITE
- C = 12" SOLID WHITE
- D = 18" SOLID WHITE
- E = 24" SOLID WHITE
- F = 6" SKIP WHITE TYP (10'-30')
- G = 6" SKIP WHITE TYP (6'-10')
- H = 6" SKIP WHITE TYP (2'-4')
- I = 6" SOLID YELLOW
- J = 18" SOLID YELLOW
- K = 6" DOUBLE YELLOW
- L = 6" SKIP YELLOW TYP (10'-30')
- M = 6" SKIP YELLOW TYP (6'-10')
- N = 6" SKIP YELLOW TYP (2'-4')
- P = RPM MONO-DIRECTIONAL WHITE/CLEAR
- Q = RPM BI-DIRECTIONAL AMBER/AMBER
- R = FDP WHITE
- S = FDP YELLOW
- T = RPM BI-DIRECTIONAL WHITE/RED

REVISIONS				
NO.	DESCRIPTION	DATE	BY	DESCRIPTION

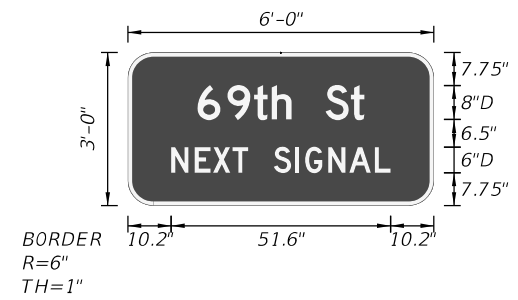
Kimley»Horn
 BRIAN A. GOOD, P.E.
 P.E. LICENSE NUMBER 56939
 445 24th STREET, SUITE 200
 VERO BEACH, FL 32960
 (772) 794-4100
 CERTIFICATE OF AUTHORIZATION# 00000696

**INDIAN RIVER COUNTY
 BOARD OF COUNTY COMMISSIONERS**
**66th AVENUE ROADWAY WIDENING -
 PHASE IB 49th STREET TO 69th STREET**

**69th STREET
 SIGNING AND MARKING**

SHEET NO.
S-23

SIGN NAME	69ST	QTY	2	SIGN NO.	STATION(S)
PANEL	BORDER				none
WIDTH	6'-0"	WIDTH	1"		
HEIGHT	3'-0"	RADII	6"		
LEGEND	White	COLOR	White		
COLOR	Green				
SYMBOL(S)	ANGLE	X	Y	WID	HT
SIGN NO.	NO. OF POSTS	EDGE OF LANE CLEARANCE	COLUMN SIZE	AVERAGE LENGTH	



Panel Style: ADVANCE_SIGNAL.ssi
M.U.T.C.D.: 2009 Edition

NO. OF LIGHT FIXTURES	FIXTURE SPACING	PHOTOMETRIC CURVE	WATT	VOLTAGE

COPY	6	9	t	h	S	t	L													
SPACE	16.4	23.4	29.7	33.8	38.5	46.5	52.4	39.3												
COPY	N	E	X	T	S	I	G	N	A	L	L									
SPACE	10.2	15.7	20	24.6	28.3	34.3	39.4	41.7	47.1	52.1	58.1	51.6								
COPY																				
SPACE																				
COPY																				
SPACE																				
COPY																				
SPACE																				

SIGN NAME	QTY	SIGN NO.	STATION(S)		
PANEL	BORDER				
WIDTH	WIDTH				
HEIGHT	RADII				
LEGEND	COLOR				
COLOR					
SYMBOL(S)	ANGLE	X	Y	WID	HT
SIGN NO.	NO. OF POSTS	EDGE OF LANE CLEARANCE	COLUMN SIZE	AVERAGE LENGTH	

NO. OF LIGHT FIXTURES	FIXTURE SPACING	PHOTOMETRIC CURVE	WATT	VOLTAGE

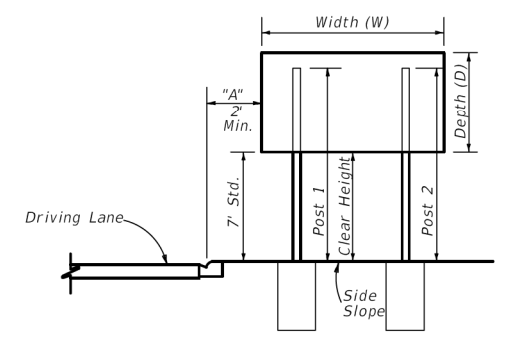
COPY																				
SPACE																				
COPY																				
SPACE																				
COPY																				
SPACE																				
COPY																				
SPACE																				
COPY																				
SPACE																				

CLEARANCE FROM EDGE OF TRAVELED WAY TO EDGE OF SIGN ("A"XFT) (MIN.)	STATION OR M.P.	SIGN NO.	SIGN SIZE (W X D) (FT)	SIDE SLOPE (RISE : RUN)	CLEAR HEIGHT (FT)	NO. OF POSTS	AVERAGE LENGTH OF POSTS (FT)	STEEL POSTS	ALUMINUM BEAMS	AVERAGE LENGTH OF POSTS AND FOOTING (FT)	U-CHANNEL POSTS	SQUARE STEEL TUBES
2' - 0"	413+00	D3-2-M1	6' - 0" X 3' - 0"	FLAT	7'	2	9.66'	W 6X12	-	-	-	-
2' - 0"	424+75	D3-2-M2	6' - 0" X 3' - 0"	FLAT	7'	2	9.66'	W 6X12	-	-	-	-

* FOUNDATION DEPTH SHALL BE 6'-6"

NOTES:

- FOR ADDITIONAL DETAILS AND NOTES SEE STANDARD INDEX NO. 11200 AND 17302.
- CLEAR HEIGHT IS THE DISTANCE BETWEEN THE BOTTOM OF THE MAIN SIGN PANEL AND THE GROUND AT THE CENTER OF THE MAIN SIGN PANEL.
- IT SHALL BE THE CONTRACTORS RESPONSIBILITY TO VERIFY THE LENGTH OF THE SIGN SUPPORTS IN THE FIELD PRIOR TO FABRICATION.
- AVERAGE LENGTH OF POSTS COLUMN IS APPLICABLE TO STEEL POST AND ALUMINUM BEAMS.
- AT LOCATIONS WHERE MULTI-POST SIGNS ARE BEING INSTALLED OVER PROPOSED DRAINAGE PIPES THE CONTRACTOR SHALL PLACE THE ASSEMBLY POST EITHER SIDE OF THE PIPE SO THAT THE SIGN STRADDLES THE PIPE. THE CONTRACTOR SHALL EXERCISE CAUTION IN THESE SITUATIONS IN ORDER TO AVOID DAMAGING THE PROPOSED PIPE.



TYPICAL SECTIONS FOR PLACEMENT OF MULTI-COLUMN SIGNS N.T.S.

REVISIONS				
DESCRIPTION	DATE	BY	DESCRIPTION	

Kimley»Horn
BRIAN A. GOOD, P.E.
 P.E. LICENSE NUMBER 56939
 445 24th STREET, SUITE 200
 VERO BEACH, FL 32960
 (772) 794-4100
 CERTIFICATE OF AUTHORIZATION# 00000696

INDIAN RIVER COUNTY BOARD OF COUNTY COMMISSIONERS
66th AVENUE ROADWAY WIDENING - PHASE IB 49th STREET TO 69th STREET

GUIDE SIGN WORK SHEET

SHEET NO.	S-24
-----------	------