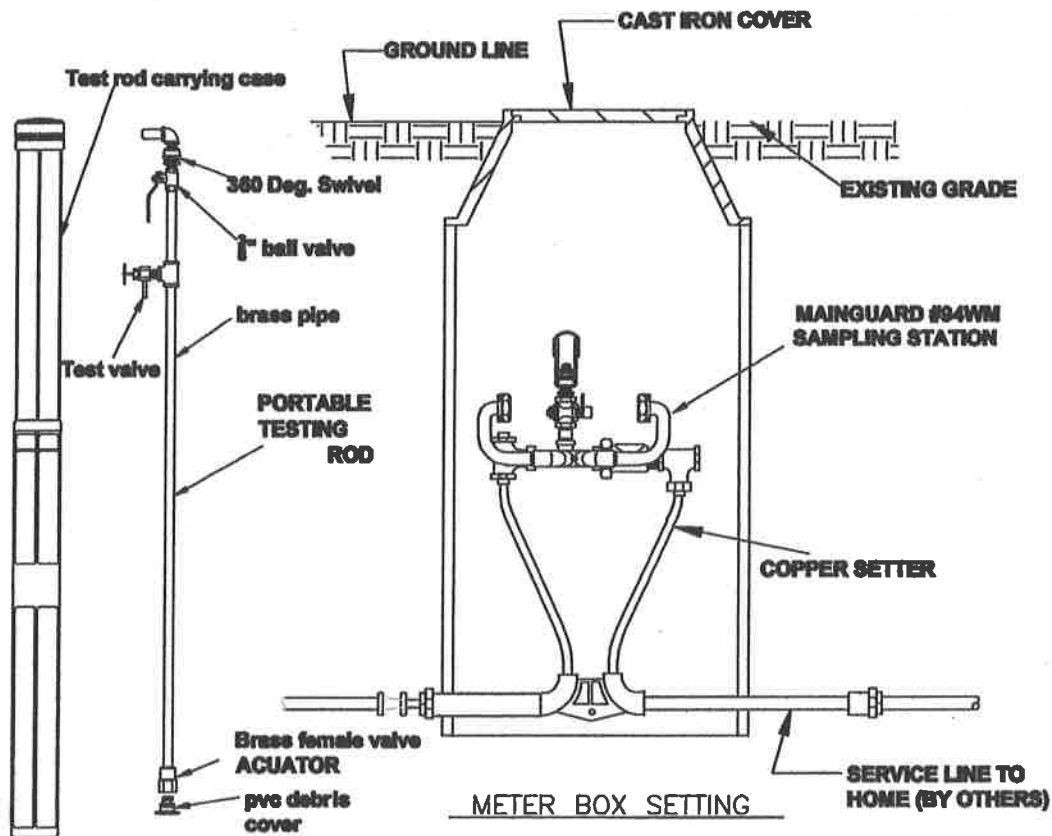


#94WM METER BOX SAMPLING STATION



Sampling Stations shall be meter box- retrofit style. Each station will install into existing meter yokes, and water meters can then be re-set into sampling station setter. To begin water flow, a portable rod with a female coupler will screw onto a male valve connected to the station. This connection will require a turning motion only, with no pushing or pulling needed. Each male valve will be located before the water meter, have an auxiliary shut-off valve, and be protected by a (PVC or brass) cover when not in use. Each station shall have a dual check valve between water meter and residence. Portable rod will be brass and each furnished with protective plug and carrying case. One rod will be furnished for every__ stations. Stations shall be manufactured by Kupferle Foundry Company, St. Louis, Mo. model#94WM, or approved equal.