

Submittal Data

Bibb County Elementary School Gyms

Location: Macon, GA

Date: June 12, 2017



Project: Bibb County Elementary School Gyms

Plan-ID	Qty	Model No	Description	Page
WM-01	1	T60H1DC15CXXXXE	Wall-Mount™ Heat Pump 460-3 ph	3
WM-02	1	T60H1DB15CXXXXX	Wall-Mount™ Heat Pump 208/230-3 ph	6
			RFG/W Series Return Air Filter Grille Dimensions	9



Cooling Performance @ Project Parameters

Total Cooling Capacity	57,500	Btuh
Sensible Capacity	41,400	Btuh
Efficiency (at AHRI)	10.70	EER
Outdoor DB Temp	95.0	°F
Entering DB Temp	80.0	°F
Entering WB Temp	67.0	°F
Leaving DB Temp	57.5	°F
Leaving WB Temp	56.3	°F

HP Heating Performance

HP Capacity @47.0°F	54,000	Btuh
HP Capacity @17.0°F	32,000	Btuh
HP COP @47.0°F	3.2	
HP COP @17.0°F	2.2	

Electric Resistance Heat

Nominal Heat Size	15	kW
Electric Heat Voltage	460	Volts
Heat Output	47,099	Btuh

Maximum KW that can operate with the heat pump on is 9KW. Full heat available during emergency heat mode.

Dehumidification Performance

65° Outdoor 90% Indoor RH (65/63 db/wb)		
Air Flow	1650	cfm
Sensible Capacity	1,361	Btuh
Latent Capacity	37,553	Btuh
Water Removed per hour	35.00	lb

Supply Air Performance

Total Supply Air	1700	cfm
Blower Motor	3/4	hp
ECM Blower Motor		
Non-Ducted		

Air flow is based on Wet Coil

Electrical Data

Power Supply	460	Volts
	3	Phase
	60	Hertz
Minimum Circuit Ampacity	29	Amps
Maximum External Fuse or	30	Amps
Circuit Breaker		
Field Power Wire Size	10	
Ground Wire	10	

Based on 75C copper wire, All wiring must conform to the National Electrical Code and all local codes

Caution: When more than one field power circuit is run through one conduit, the conductors must be derated. Pay special attention to note 8 of Table 310 regarding Ampacity Adjustment Factors when more than three (3) current carrying conductors are in a raceway.

Factory Options Selected

- 15 - 15 KW
- C - Commercial Ventilator - Modulating Spring Return with Exhaust
- X - 1-inch Fiberglass MERV 2
- X - Beige
- X - Front Outlet
- X - Standard Coils
- E - Standard Controls + LAC

Field Installed Accessories

- RFG-5W - Return air filter grill - Extruded aluminum with blades fixed at 45 degree angle, 2" Flange (Filter Included)
- SG-5W - Sidewall supply register with 2 sets of individually adjusted blades, 2" Flange



Standard Product Features

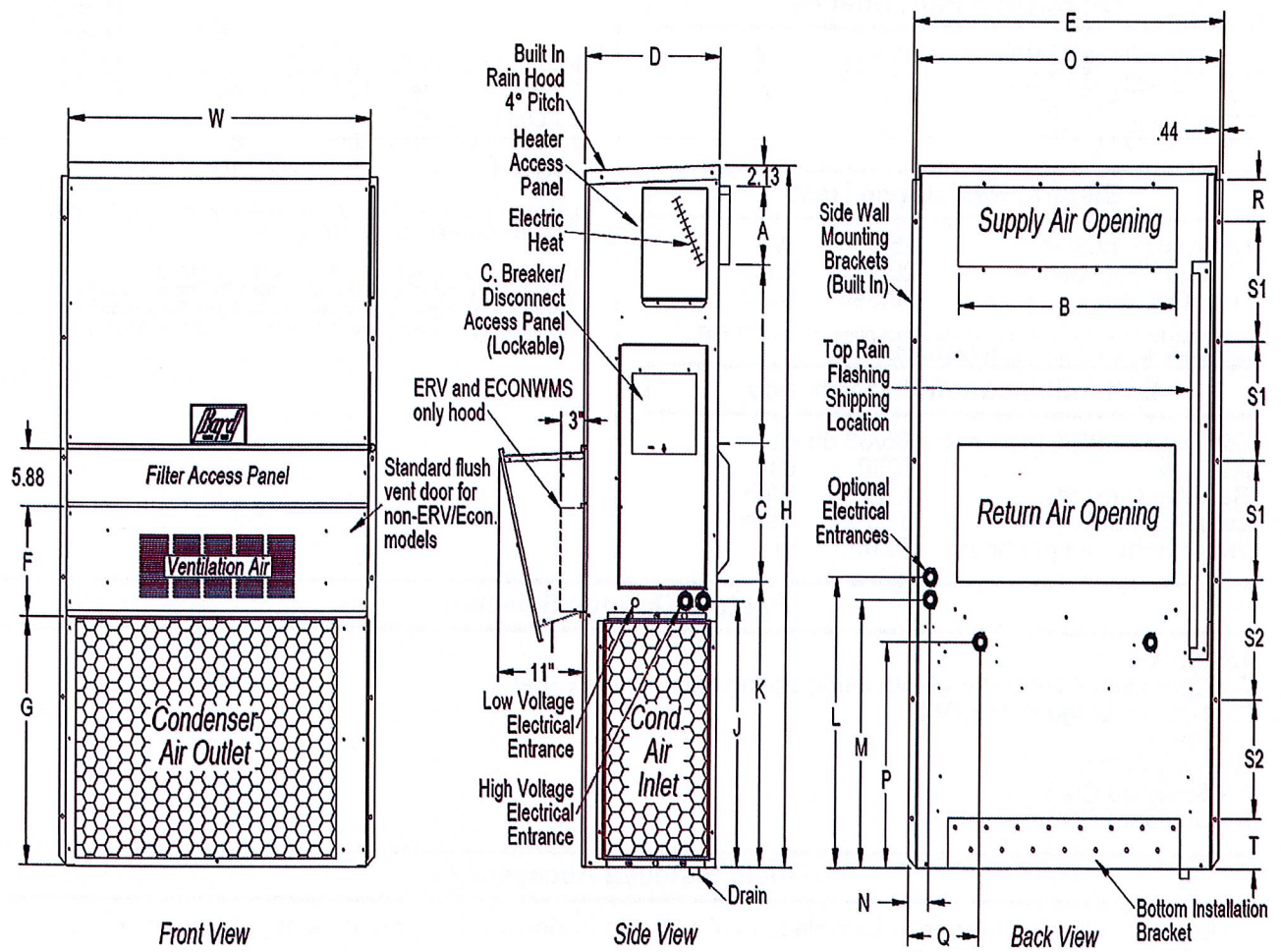
Right Side Control Panel

- Dehumidification circuit with an independent heat exchanger coil in the supply air stream in addition to the standard evaporator coil. Dehumidification circuit includes a three way valve and a check valve in the reheat coil return line.
- Solid State Electronic Heat Pump Control provides efficient 30-minute defrost cycle. Includes a thermistor sensor and speed up terminal for service along with a 10-minute defrost override.
- Five Minute Compressor Time Delay is built into the electronic heat pump control.
- Emergency Heat Circuit permits continuous operation of the system
- ECM Indoor Blower Motor with soft start and stop
- Scroll Compressors eliminate need for crankcase heater
- R-410A Refrigerant
- Grooved tubing and enhanced louvered fin coils
- Twin Blowers
- Foil Faced Insulation (all insulation exposed to airstream)
- Liquid Line Filter Drier
- High & Low Pressure Switches are Auto-Reset
- Pre-Painted 20 Gauge Zinc Coated Steel Cabinet
- Electrical Components are easily accessible through a right side, service panel opening
- Features a lockable, hinged access cover to the circuit breaker or Disconnect
- Separate Filter Service Door
- Condenser Fan and Motor Shroud Assemble slides out for easy access
- Slope Top with 4 degree pitch for water run-off is standard
- Top Rain Flashing is provided
- Certified to ANSI/AHRI Standard 390-2003 for SPVU (Single Package Vertical Units)
- Intertek ETL Listed to Standard for Safety Heating and Cooling Equipment ANSI/UL 1995/CSA 22.2 No. 236-05, Fourth Edition.



Dimensions of Basic Unit for Architectural and Installation Requirements (Inches)

Width (W)	Depth (D)	Height (H)	Supply		Return		E	F	G	I	
			A	B	C	B					
42.075	22.432	93	9.88	29.88	15.88	29.88	43.88	13.56	37	30	
J	K	L	M	N	O	P	Q	R	S1	S2	T
40.81	35.06	42.81	40.56	3.37	43	31	10	1.44	16	16	10





Cooling Performance @ Project Parameters

Total Cooling Capacity	57,500	Btuh
Sensible Capacity	41,400	Btuh
Efficiency (at AHRI)	10.70	EER
Outdoor DB Temp	95.0	°F
Entering DB Temp	80.0	°F
Entering WB Temp	67.0	°F
Leaving DB Temp	57.5	°F
Leaving WB Temp	56.3	°F

HP Heating Performance

HP Capacity @47.0°F	54,000	Btuh
HP Capacity @17.0°F	32,000	Btuh
HP COP @47.0°F	3.2	
HP COP @17.0°F	2.2	

Electric Resistance Heat

Nominal Heat Size	15	kW
Electric Heat Voltage	208	Volts
Heat Output	38,396	Btuh

Maximum KW that can operate with the heat pump on is 9KW. Full heat available during emergency heat mode.

Dehumidification Performance

65° Outdoor 90% Indoor RH (65/63 db/wb)		
Air Flow	1650	cfm
Sensible Capacity	1,361	Btuh
Latent Capacity	37,553	Btuh
Water Removed per hour	35.00	lb

Supply Air Performance

Total Supply Air	1700	cfm
Blower Motor	3/4	hp
ECM Blower Motor		
Non-Ducted		

Air flow is based on Wet Coil

Electrical Data

Power Supply	208/230	Volts
	3	Phase
	60	Hertz
Minimum Circuit Ampacity	58	Amps
Maximum External Fuse or	60	Amps
Circuit Breaker		
Field Power Wire Size	6	
Ground Wire	10	

Based on 75C copper wire, All wiring must conform to the National Electrical Code and all local codes

Caution: When more than one field power circuit is run through one conduit, the conductors must be derated. Pay special attention to note 8 of Table 310 regarding Ampacity Adjustment Factors when more than three (3) current carrying conductors are in a raceway.

Factory Options Selected

- 15 - 15 KW
- C - Commercial Ventilator - Modulating Spring Return with Exhaust
- X - 1-inch Fiberglass MERV 2
- X - Beige
- X - Front Outlet
- X - Standard Coils
- X - Standard Controls

Field Installed Accessories

- RFG-5W - Return air filter grill - Extruded aluminum with blades fixed at 45 degree angle, 2" Flange (Filter Included)
- SG-5W - Sidewall supply register with 2 sets of individually adjusted blades, 2" Flange



Standard Product Features

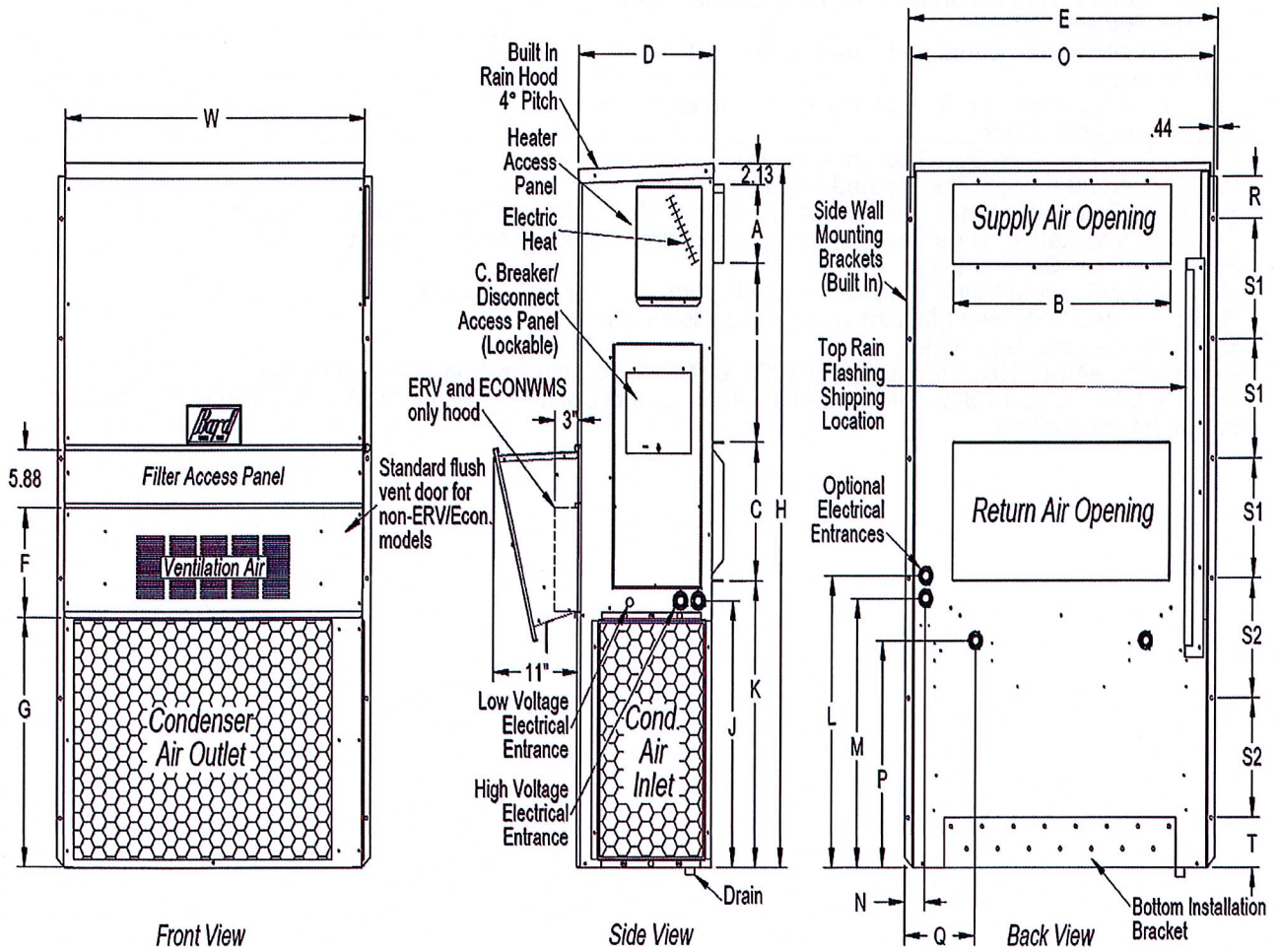
Right Side Control Panel

- Dehumidification circuit with an independent heat exchanger coil in the supply air stream in addition to the standard evaporator coil. Dehumidification circuit includes a three way valve and a check valve in the reheat coil return line.
- Solid State Electronic Heat Pump Control provides efficient 30-minute defrost cycle. Includes a thermistor sensor and speed up terminal for service along with a 10-minute defrost override.
- Five Minute Compressor Time Delay is built into the electronic heat pump control.
- Emergency Heat Circuit permits continuous operation of the system
- ECM Indoor Blower Motor with soft start and stop
- Scroll Compressors eliminate need for crankcase heater
- R-410A Refrigerant
- Grooved tubing and enhanced louvered fin coils
- Twin Blowers
- Foil Faced Insulation (all insulation exposed to airstream)
- Liquid Line Filter Drier
- High & Low Pressure Switches are Auto-Reset
- Pre-Painted 20 Gauge Zinc Coated Steel Cabinet
- Electrical Components are easily accessible through a right side, service panel opening
- Features a lockable, hinged access cover to the circuit breaker or Disconnect
- Separate Filter Service Door
- Condenser Fan and Motor Shroud Assemble slides out for easy access
- Slope Top with 4 degree pitch for water run-off is standard
- Top Rain Flashing is provided
- Certified to ANSI/AHRI Standard 390-2003 for SPVU (Single Package Vertical Units)
- Intertek ETL Listed to Standard for Safety Heating and Cooling Equipment ANSI/UL 1995/CSA 22.2 No. 236-05, Fourth Edition.



Dimensions of Basic Unit for Architectural and Installation Requirements (Inches)

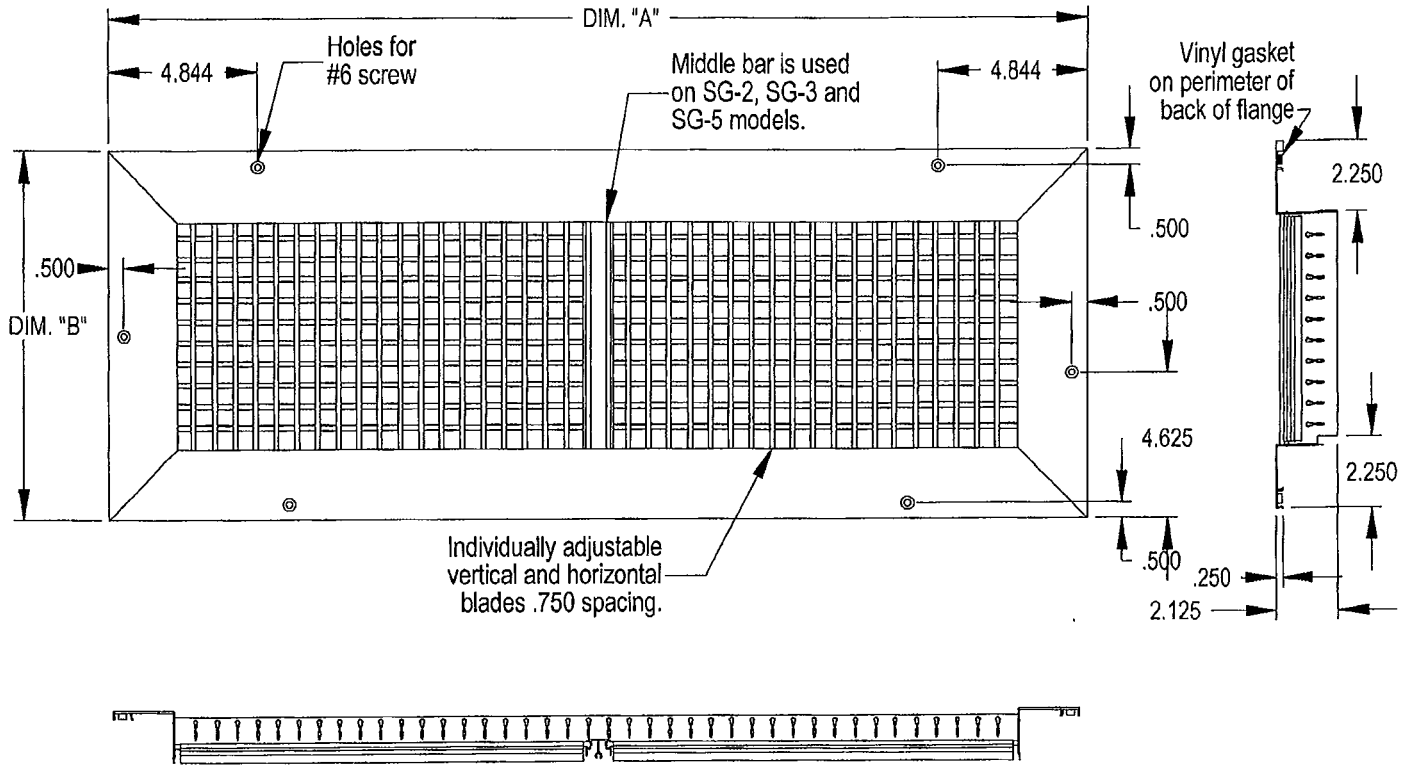
Width (W)	Depth (D)	Height (H)	Supply		Return		E	F	G	I	
			A	B	C	B					
42.075	22.432	93	9.88	29.88	15.88	29.88	43.88	13.56	37	30	
J	K	L	M	N	O	P	Q	R	S1	S2	T
40.81	35.06	42.81	40.56	3.37	43	31	10	1.44	16	16	10



"SG/W" Series Supply Air Grilles



Climate Control Solutions



Grille Size Chart			
Grille part number	Use with unit(s)	Dim. "A"	Dim. "B"
SG-1W (5"x 17")	WA121	21.25	9.25
SG-2W (8"x 20")	WA,WE,WL,WH 18-25	24.25	12.25
SG-3W (8"x 28")	SH,WA,WE,WG,WL,WH 26-37	32.25	12.25
SG-5W (10"x 30")	SH,WA,WE,WG,WL,WH 38-72	34.25	14.25

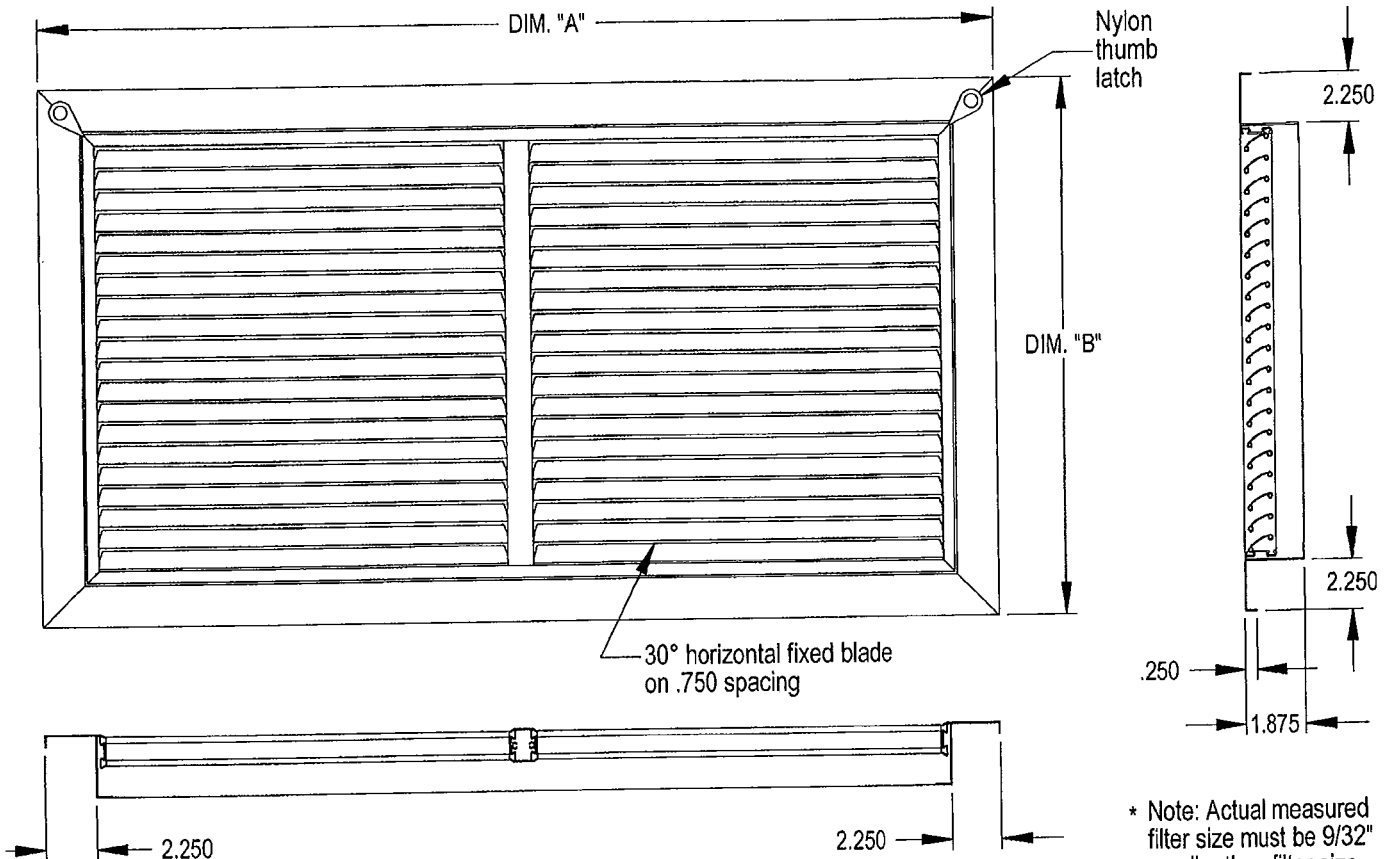
Standard industry tolerances apply. Specs. are subject to change without notice.

Construction: Aluminum frame - brushed anodized aluminum finish.

MS-2430 A

Job Name:	Architect:
Location:	Engineer:
	Contractor:

"RFG/W" Series Return Air Filter Grille (Supplied With Filter)



Grille Size and Filter Chart

Grille part number	Use with unit(s)	Dim. "A"	Dim. "B"	Filter Size*	Disposable Filter P/N (MERV 2)
RFG-1W (10"x 17")	WA121	21.25	14.25	10 x 17 x 1	7004-038
RFG-2W (12"x 20")	WA, WE, WL, WH 18-25	24.25	16.25	12 x 20 x 1	7004-003
RFG-3W (14"x 28")	SH, WA, WE, WG, WL, WH 26-37	32.25	18.25	14 x 28 x 1	7004-039
RFG-5W (16"x 30")	SH, WA, WE, WG, WL, WH 38-72	34.25	20.25	16 x 30 x 1	7004-019

Standard industry tolerances apply. Specs. are subject to change without notice.

Construction: Aluminum frame - brushed anodized aluminum finish.

MIS-2429 A

Job Name:	Architect:
Location:	Engineer:
	Contractor: