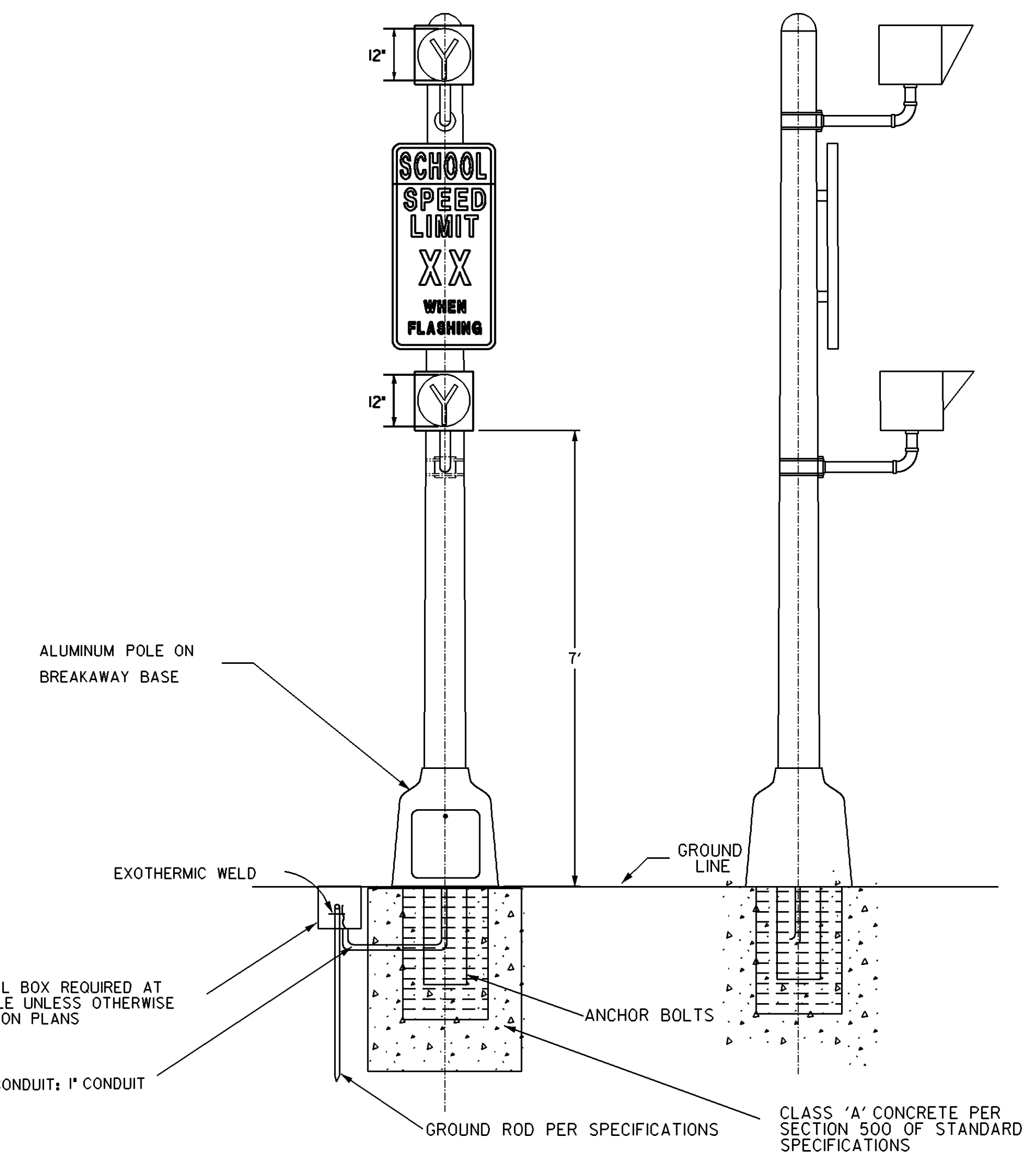


WOOD POLE MOUNTED FLASHING SCHOOL SIGNAL



PEDESTRIAN POLE MOUNTED FLASHING SCHOOL SIGNAL

STANDARD SIGN SUMMARY GENERAL NOTES

- ALL STANDARD HIGHWAY SIGNS SHALL BE FABRICATED AND ERECTED IN ACCORDANCE WITH THE DETAILS SHOWN IN THE PLANS, THE MANUAL ON UNIFORM TRAFFIC CONTROL DEVICES, CURRENT EDITION, AND THE GEORGIA STANDARD SPECIFICATIONS, SUPPLEMENTAL SPECIFICATIONS, AND/OR SPECIAL PROVISIONS.
- ALL STANDARD HIGHWAY SIGNS SHALL BE ERECTED AT A HEIGHT OF 7 FEET ABOVE THE NORMAL EDGE OF PAVEMENT TO THE BOTTOM OF THE SIGN OR ASSEMBLY.
- 3a. HORIZONTAL CLEARANCE FOR STANDARD HIGHWAY SIGNS ON INTERSTATE HIGHWAYS SHALL BE 32 FEET FROM THE NORMAL EDGE OF PAVEMENT TO THE NEARER EDGE OF THE SIGN(S), UNLESS SPECIFIED OTHERWISE IN THE PLANS. HORIZONTAL CLEARANCE FOR STANDARD HIGHWAY SIGNS ON RAMPS SHALL BE 2 FEET FROM THE NORMAL EDGE OF PAVED SHOULDER, OR EDGE OF GRADED SHOULDER WHEN PRESENT.
- 3b. HORIZONTAL CLEARANCE FOR STANDARD HIGHWAY SIGNS ON ALL OTHER ROADWAYS SHALL BE 6 FEET FROM THE EDGE OF PAVED SHOULDER OR 12 FEET FROM THE NORMAL EDGE OF PAVEMENT TO THE NEARER EDGE OF THE SIGN(S), WHICHEVER IS GREATER. THE HORIZONTAL CLEARANCE IN NON-MOUNTABLE CURB SECTIONS SHALL BE AT LEAST 2 FEET FROM THE CURB FACE TO THE NEARER EDGE OF THE SIGN(S).
- 3c. HORIZONTAL CLEARANCE FOR STANDARD HIGHWAY SIGNS MOUNTED BEHIND GUARD RAIL SHALL BE 6 FEET FROM THE FACE OF THE GUARD RAIL TO THE NEARER EDGE OF THE SIGN(S).

- TYPE III (ENCAPSULATED LENS) REFLECTIVE SHEETING SHALL BE USED FOR ALL STANDARD HIGHWAY SIGNS REQUIRING RETROREFLECTIVE BACKGROUNDS EXCEPT AS SPECIFIED BELOW OR SPECIFIED OTHERWISE IN THE PLANS. EITHER CLASS 1 OR CLASS 2 ADHESIVE BACKING IS PERMISSIBLE.
- TYPE XI (VERY HIGH INTENSITY) YELLOW GREEN FLUORESCENT BACKGROUND SHALL BE USED FOR SCHOOL WARNING SIGNS, INCLUDING THE "SCHOOL" PORTION OF THE SCHOOL SPEED LIMIT (S5-1) SIGN, AND INCLUDING ANY SUPPLEMENTAL PLAQUES USED IN ASSOCIATION WITH THESE WARNING SIGNS, SHALL USE TYPE XI (VERY HIGH INTENSITY) YELLOW-GREEN FLUORESCENT BACKGROUND WITH A BLACK LEGEND AND BORDER UNLESS OTHERWISE NOTED IN THE M. U. T. C. D.
- REFER TO GDOT TRAFFIC SIGNAL STANDARD DETAILS AND GDOT STANDARD SPECIFICATIONS 647 AND 925.
- DETAILS SHOWN IS FOR WOOD POST AND ALUMINUM POLE. GALVANIZED SQUARE TUBE STEEL POST MAY BE SUBSTITUTED. REFER TO STANDARD SPECIFICATIONS SECTION 911. GALVANIZED SQUARE TUBE POSTS MAY BE USED AS APPROVED BY THE DEPARTMENT OF TRANSPORTATION ENGINEER.
- IF WARNING BEACONS HAVE MORE THAN ONE SIGNAL SECTION, THEY SHALL FLASH ALTERNATELY.
- SUBMIT ALTERNATE MOUNTING METHODS, TO THE OFFICE OF TRAFFIC OPERATIONS FOR APPROVAL PRIOR TO FABRICATION AND INSTALLATION.

Guidelines For Usage On Metric Projects

When these details are incorporated into plans and or projects that are being prepared or constructed in metric units, exact or precise conversion to metric units is not required. The dimensions shown that are in feet and inches may be converted to corresponding metric units using the following "Rounded-Off" conversion factors: 1" = 25mm, 4" = 100mm, and 12" = 300mm. All measurement notes that refer to linear feet and square yards shall be interpreted to mean linear meters and square meters.

DATE		DEPARTMENT OF TRANSPORTATION STATE OF GEORGIA	
REVISION DESCRIPTION		TRAFFIC SIGNAL DETAIL FLASHING SCHOOL ASSEMBLY POST MOUNTED INSTALLATION	
REV. BY:		FEBRUARY 2012	DETAIL NUMBER TS-12B
NOT TO SCALE - REPORT ERRORS			