

DAKOTA

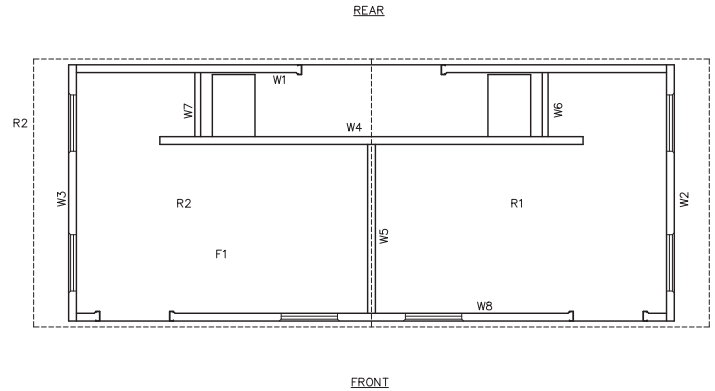
MANUFACTURED BY:
CXT INC. (TX)
901 N. HIGHWAY 77
HILLSBORO, TX 76645

SITE ADDRESS:
WOLF CREEK PARK
9575 WOLF CREEK RIDGE
ELBERTA, AL 36530

NOTES

- BUILDING IS DESIGNED TO COMPLY WITH THE 2021 INTERNATIONAL BUILDING CODE (IBC).
- DESIGN COMPLIES WITH THE PROVISIONS OF THE 2021 IBC CODE FOR THE FOLLOWING LOADS:
GROUND SNOW LOAD = 250 PSF
FLOOR LIVE LOAD = 400 PSF
IBC DESIGN SPECTRAL RESPONSE $S_s = 0.401, S_1 = 0.175$
SITE CLASS D
RISK CATEGORY: II
SEISMIC DESIGN CATEGORY: D
BEARING WALL SYSTEM $R = 4.0$
AS-BUILT INTERMEDIATE-PRECAST SHEARWALLS BASIC
WIND - $V = 157$ MPH
WIND - $V_{ASD} = 122$ MPH
WIND EXPOSURE 'C'
***BUILDING IS NOT TO BE PLACED IN A LOCATION WHERE LOADS EXCEED THE VALUES PROVIDED ABOVE.
- CONSTRUCTION TYPE: V-B
OCCUPANCY: U
OCCUPANT LOAD: 5
EXTERIOR WALLS: 1-HR RATED PER IBC TABLE 720.1(2), ITEM 4-1.1
MINIMUM FIRE SEPARATION DISTANCE: 10 FEET (PER IBC TABLE 705.8)
MAXIMUM UNPROTECTED OPENING AREA: 3.99% (WALL W2 & W3)
- CONCRETE STRENGTH $f'_{ci} = 2500$ PSI INITIAL $f'_{c} = 5000$ PSI AIR ENTRAINMENT $6\% \pm 1 \frac{1}{2}\%$ IN PLASTIC CONCRETE.
REINFORCING STEEL: ASTM A615 #3 GRADE 40, #4 AND LARGER GRADE 60
MINIMUM LAP 18" AT SPLICES. TIE BARS WITH DOUBLE ANNEALED 16 GA IRON WIRE. REINFORCING TO BE PLACED IN CENTER OF PANEL UNO.
REINFORCING STEEL SHALL BE ACCURATELY PLACED, ADEQUATELY SUPPORTED AND SECURED AGAINST DISPLACEMENT BEFORE CONCRETE IS PLACED AND SHALL ALSO MET THE STANDARDS SET FORTH IN ACI 318.
WELDED WIRE FABRIC(W.W.F.): ASTM A1064, 4x4xW6.7xW6.7, $F_y=80$ KSI (OR EQUIVAL), SMOOTH WIRE, MIN. LAP 2 SQUARES.
- EMBEDDED ITEMS IDENTIFIED ON DRAWINGS(i.e. PS-2, R301) REFER TO CXT STANDARD EMBEDMENT CATALOG.
- BACK OF PANELS TO HAVE SMOOTH TROWEL FINISH U.N.O. ALL SURFACES TO BE TEXTURED ARE NOTED ON PANEL DWG'S
- REFER TO SEPARATE CXT INCORPORATED SPECIFICATIONS COVERING DESIGN, MATERIALS, PRODUCTION, AND INSTALLATION CRITERIA FOR SPECIFIC STYLE OF BUILDING.
- ALL REBAR BENDS TO HAVE A MINIMUM RADIUS OF 6x THE BAR DIAMETER.
- ADEQUATE PLUMBING FACILITIES MUST BE PROVIDED IN ACCORDANCE WITH THE 2021 IBC (NOT BY CXT)
- INSTALLATION TO MEET APPLICABLE FEDERAL, STATE, AND LOCAL CODES BY OTHERS.

PANEL MARK NO. KEY PLAN



INDEX OF DRAWINGS

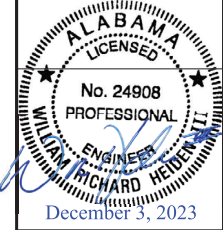
NO.	TITLE
DK-01	COVER SHEET
DK-02	RIGGING DETAILS
DK-03	FLOOR PLAN
DK-04	BUILDING ELEVATIONS
DK-05	INTERIOR ELEVATIONS
DK-06	INTERIOR ELEVATIONS DETAILS
DK-08	WALL PANEL MARK W1
DK-09	WALL PANEL MARK W2
DK-10	WALL PANEL MARK W3
DK-11	WALL PANEL MARK W4
DK-12	WALL PANEL MARK W5
DK-13	WALL PANEL MARK W6
DK-14	WALL PANEL MARK W7
DK-15	WALL PANEL MARK W8
DK-16	FLOOR SLAB MARK F1
DK-17	ROOF SLAB MARK R1
DK-18	ROOF SLAB MARK R2
DK-19	FOUNDATION DETAIL
DK-20	FLOOR DRAIN LOCATIONS & BELOW FLOOR PIPING
DK-21	WASTE, VENT, & WATER PIPING PLANS & NOTES
DK-22	PLUMBING SCHEDULE, DIAGRAMS, & NOTES
DK-23	ELECTRICAL NOTES & SCHEDULES
DK-24	ELECTRICAL PLAN, LEGEND, & NOTES
DK-25	EMBEDDED MATERIALS

APPLICABLE CODES

2021 INTERNATIONAL BUILDING CODE (IBC)
2021 INTERNATIONAL PLUMBING CODE
2021 INTERNATIONAL MECHANICAL CODE
2020 NATIONAL ELECTRICAL CODE (NEC)
2021 INTERNATIONAL ENERGY CONSERVATION CODE
2019 ASHRAE 90.1
2010 ADA STANDARDS FOR ACCESSIBLE DESIGN

SPECIAL CONDITIONS AND/OR LIMITATIONS

ACCESSIBILITY TO THIS BUILDING, INCLUDING PARKING, IS TO BE PROVIDED BY OTHERS AND CONSTRUCTED IN ACCORDANCE WITH ALL LOCAL BUILDING CODES.



6707 E. Flamingo Ave, Bldg 300, Nampa, ID 83687
901 N. Highway 77 Hillsboro, TX 76645
362 Waverly Road Williamstown, WV 26187

DAKOTA
BUILDING NUMBER DK-110

NOTICE
The information contained herein is proprietary and the exclusive property of CXT Incorporated. The information may only be used by the original recipient for the purpose intended. Reproduction or distribution of this information is strictly prohibited without the prior written consent of CXT Incorporated. By allowing use of this information, CXT Incorporated grants no warranty, express or implied, including a warranty of merchantability or of fitness for a particular purpose.

CXT Incorporated			
1	ADDED DOOR STOPS	1	WOLFWOOD-17-25
REV.	DESCRIPTION	DATE	BY
		9-19-23	
DRAWN	ICOSP	FILE NO.	DK-110
CHECKED	SPINNER	PLOT	64

COVER SHEET

DWG NO.	SHEET	REV.
DK-01	1 / 25	1

CASTING TOLERANCES
OVERALL LENGTH OR WIDTH
10 FT OR UNDER = ± 1/8"
10 TO 20 FT = ± 1/8", -3/16"
20 TO 40 FT = ± 1/4"
TRIM REINFORCEMENT TO BE NO MORE THAN 4" FROM FORM
TOTAL THICKNESS = ± 1/8, ± 1/4
VARIATION FROM SQUARE = ± 1/8 PER 6 FT OF DIAGONAL
LOCAL SMOOTHNESS = 1/4" IN 10 FT
SNEEP = ± 1/4"
POSITION OF TENDONS = ± 1/4"
POSITION OF BLOCKOUTS = ± 1/4"
SIZE OF BLOCKOUTS = ± 1/4"
POSITION OF EMBEDS = ± 1/4"
TRIMMING AND FINISHES OF PLATES = ± 1/16, -1/4
BENDING = LENGTH/260
END SQUARENESS = ± 1/8"

ALABAMA STATE APPROVAL, TAGS, & PE DRAWINGS (ECC ONLY) REQUIRED

WALL TEXTURE: SPLIT FACE BLOCK
WALL COLOR: BUCKSKIN

ROOF TEXTURE: RIBBED METAL
ROOF COLOR: EVERGREEN

TRIM PAINT: DTM ALKYD ENAMEL BROWN
SEALER: STANDARD
PACKAGE: MARINE

DAKOTA

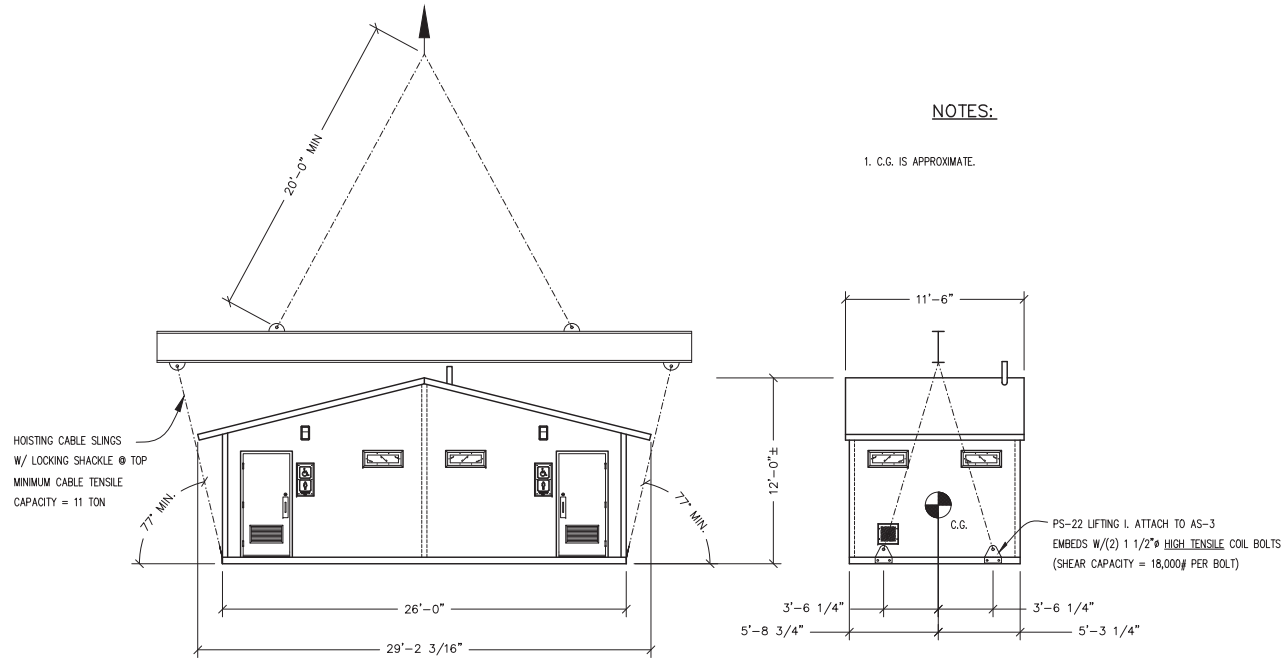
RECOMMENDED HANDLING AND INSTALLATION INSTRUCTIONS

NOTES:

1. THE DAKOTA STYLE BUILDING CONSISTS OF ONE UNIT TO BE PLACED AT THE PROJECT SITE. PROPER SITE PREPARATION AND HANDLING IS ESSENTIAL FOR THE SAFE AND PROPER INSTALLATION OF THE BUILDING.
2. PROVIDE UTILITY CONNECTIONS (PLUMBING & ELECTRICAL) AS REQUIRED AND/OR AS CALLED FOR ON THE DRAWINGS.
3. FILL FLOOR BLOCKOUTS AFTER COMPLETION OF UTILITY HOOKUPS WITH CONCRETE. SLOPE TO DRAIN.

NOTES:

1. C.G. IS APPROXIMATE.



CRANE LIFTING SCHEMATIC

SHIPPING WEIGHTS AND DIMENSIONS			
WEIGHT	LENGTH	WIDTH	HEIGHT
81,900	29'-2 3/16"	11'-6"	12'-0"



December 3, 2023



6707 E. Flamingo Ave, Bldg 300, Nampa, ID 83687
 801 N. Highway 77 Hillsboro, TX 76645
 362 Waverly Road Williamstown, WV 26187

PROJECT NAME
DAKOTA
 BUILDING NUMBER **DK-110**

NOTICE
 The information contained herein is proprietary and the exclusive property of CXT Incorporated. The information may only be used by the original recipient for the purpose intended. Reproduction or distribution of this information is strictly prohibited without the prior written consent of CXT Incorporated. By drawing use of this information, CXT Incorporated grants no warranty, express or implied, including a warranty of merchantability or of fitness for a particular purpose.

REV.	DESCRIPTION	DATE
1	ADDED DOOR STOPS	9-19-23
2	CHANGES TO 17-25	9-19-23
3	SCALE	NPS
4	DRAWN	FILE NO.
5	CHECKED	PLOT

RIGGING DETAILS

DWG NO. **DK-02** SHEET **2** REV. **1**
 25

DOOR SCHEDULE						
TYPE	FRAME	DOOR SIZE	MATERIAL	DOOR TYPE	LATCH	LOCK
(A) SINGLE	3/0 x 6/8 x 3-3/4"	3/0 x 6/8 x 1-3/4"	GALVANIZED	LH REVERSE	PUSH/PULL	DEADBOLT
GLAZING	HNGS	KICK PLATE	STOP	SWEEP	THRESHOLD	VENTILATION
N/A	SS SPRING HINGE 4-1/2" x 4-1/2"	N/A		3"	3" x 4" x 1/4"	LOUVER
TYPE	FRAME	DOOR SIZE	MATERIAL	DOOR TYPE	LATCH	LOCK
(B) SINGLE	3/0 x 6/8 x 3-3/4"	3/0 x 6/8 x 1-3/4"	GALVANIZED	RH REVERSE	PUSH/PULL	DEADBOLT
GLAZING	HNGS	KICK PLATE	STOP	SWEEP	THRESHOLD	VENTILATION
N/A	SS SPRING HINGE 4-1/2" x 4-1/2"	N/A		3"	3" x 4" x 1/4"	LOUVER
TYPE	FRAME	DOOR SIZE	MATERIAL	DOOR TYPE	LATCH	LOCK
(C) DOUBLE	6/0 x 6/8 x 3-3/4"	(2) 3/0 x 6/8 x 1-3/4"	GALVANIZED	RH (ACTIVE) / LH (INACTIVE)	PASSAGE	DEADBOLT
GLAZING	HNGS	KICK PLATE	STOP	SWEEP	THRESHOLD	VENTILATION
N/A	SS SPRING HINGE 4-1/2" x 4-1/2"	N/A		6"	6" x 4" x 1/4"	N/A

- ALL EXTERIOR DOORS AND WINDOWS TO BE LISTED AND LABELED AS COMPLIANT WITH AAMA/WDMA/CSA101/1.S.2/A440 OR TESTED PER ASTM E330.
- DOOR HARDWARE SHALL NOT REQUIRE TIGHT PINCHING OR TWISTING OF THE WRIST OR SPECIAL KNOWLEDGE TO OPERATE.
- UNLATCHING OF ANY DOOR SHALL NOT REQUIRE MORE THAN ONE OPERATION.

LIGHTING AND VENTILATION REQUIREMENTS		
AREA	RESTROOM	CHASE
REQUIRED VENTILATION	106.29 SQ.FT	40.33 SQ.FT
PROVIDED VENTILATION	20.87 SQ.FT	40.00 SQ.FT
REQUIRED NATURAL LIGHTING	8.50 SQ.FT	3.23 SQ.FT
PROVIDED NATURAL LIGHTING	3.00 SQ.FT ***	0.00 SQ.FT ***

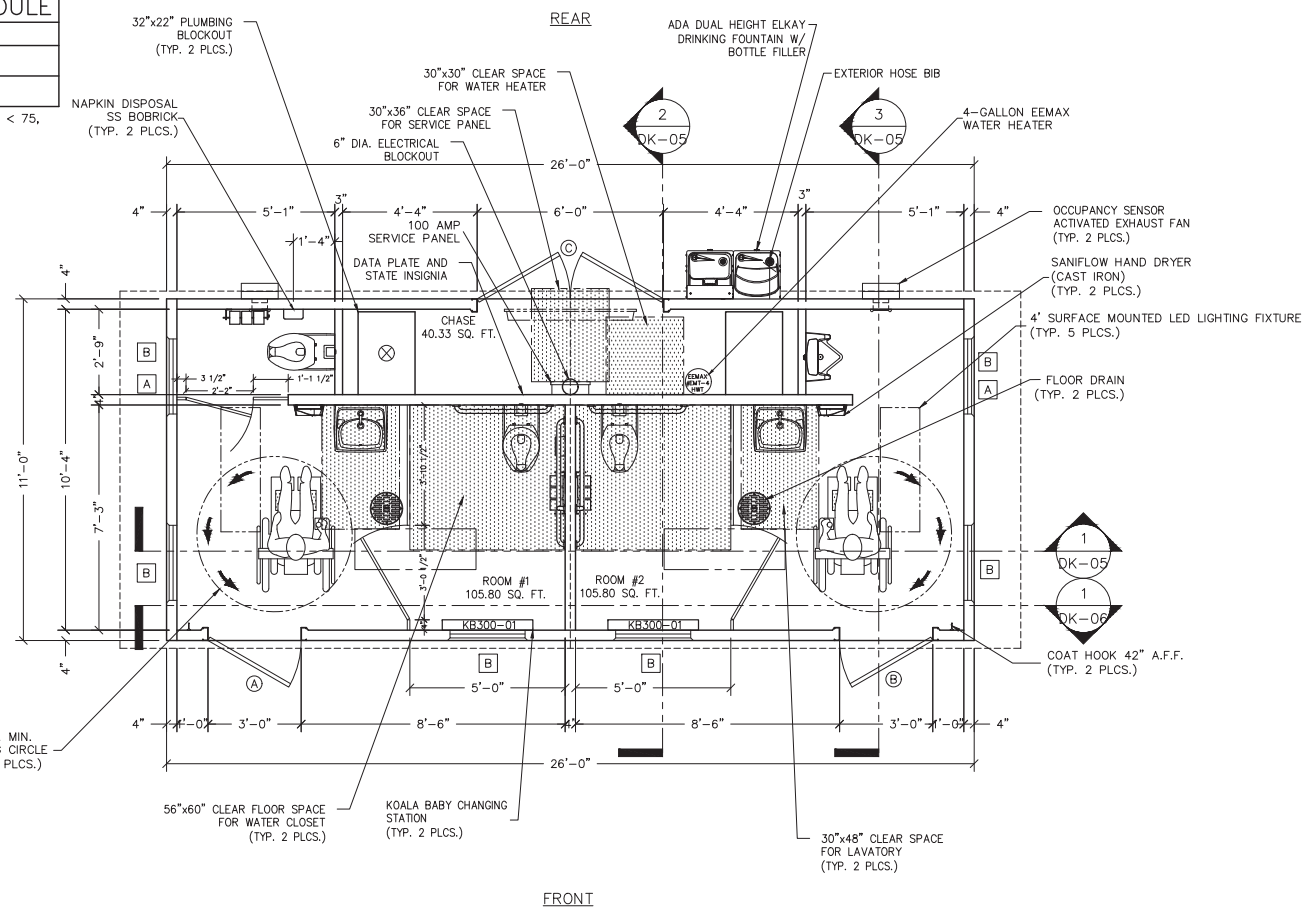
***ARTIFICIAL LIGHTING PROVIDED TO MEET REQUIRED FOOT CANDLES

MARINE PACKAGE

WINDOW & VENT SCHEDULE

SYMBOL	DESCRIPTION
(A)	MS-2 EMBED
(B)	MS-4 EMBED

LEXAN SELF-IGNITION > 1000, SMOKE DENSITY < 75, CLASS CCI.



LB Foster
CXT® Products

6707 E. Flamingo Ave, Bldg 300, Nampa, ID 83687
801 N. Highway 77 Hillsboro, TX 76645
362 Noverly Road, Williamstown, WV 26187

DAKOTA
BUILDING NUMBER DK-110

NOTICE
The information contained herein is proprietary and the exclusive property of CXT Incorporated. The information may only be used by the original recipient for the purpose intended. Reproduction or distribution of this information is strictly prohibited without the prior written consent of CXT Incorporated. By allowing use of this information, CXT Incorporated grants no warranty, express or implied, including a warranty of merchantability or of fitness for a particular purpose.

NO.	ADDED	DOOR	STOPS	DATE	BY
1	ADDED	DOOR	STOPS	9-19-23	SPINNER
2	ADDED	DOOR	STOPS	9-19-23	SPINNER
3	ADDED	DOOR	STOPS	9-19-23	SPINNER

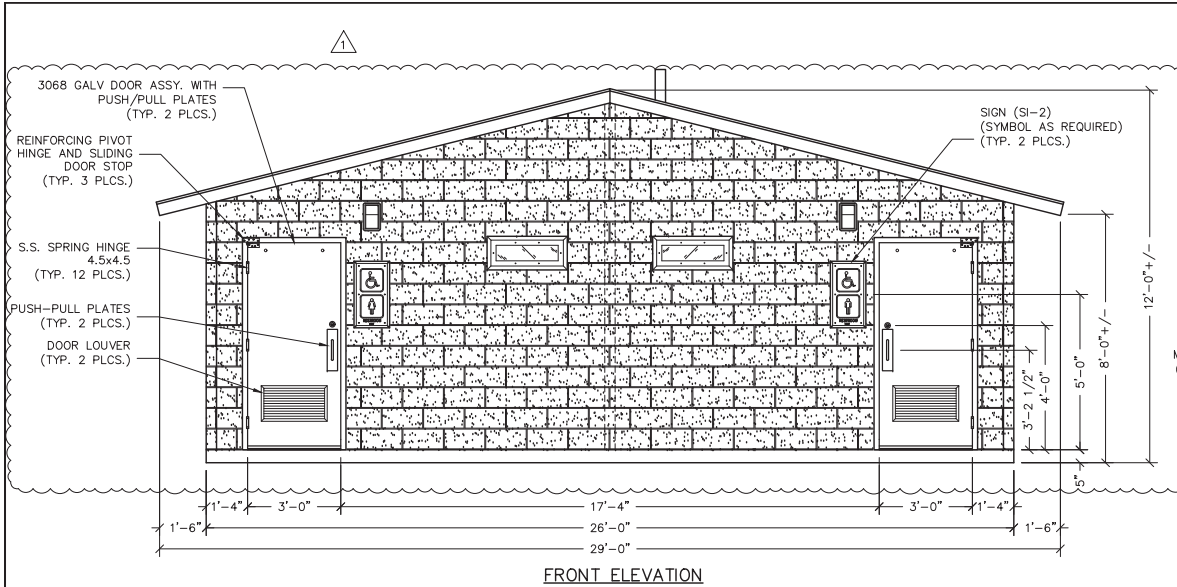
FLOOR PLAN

DWG NO.	SHEET	REV.
DK-03	3	1

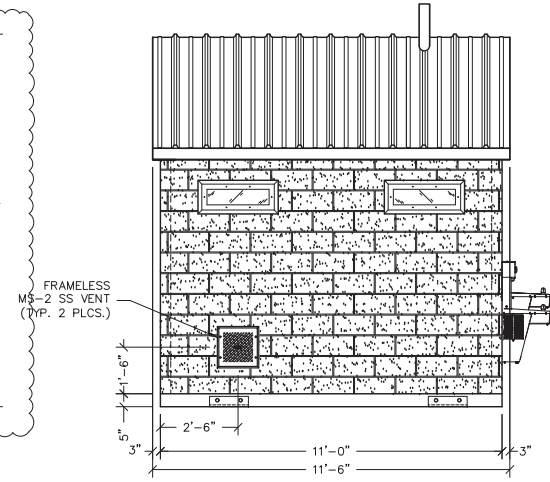
NOTE: ELECTRICAL AND PLUMBING COMPONENTS ARE SHOWN FOR GENERAL ARRANGEMENT ONLY. SEE SHEETS DK-20 THRU DK-24 FOR COMPLETE SYSTEM DESCRIPTIONS.

MARINE PACKAGE

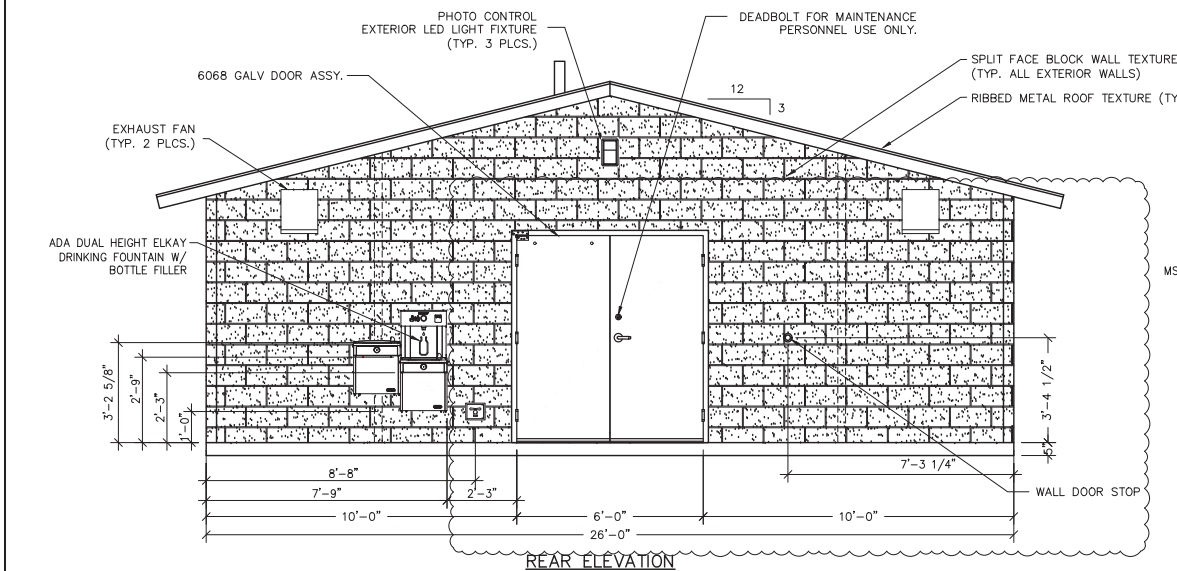
MATERIALS	QTY
MS-2 SS	2
3068 PUSH/PULL DOOR ASSY	2
6068 GALV DOOR ASSY	1
S.S. SPRING HINGE 4.5x4.5	12
MS-4 SS WINDOW	6
SI-2 SS	2
DOOR LOUVER	2
DRINKING FOUNTAIN W/ BOTTLE FILLER	1



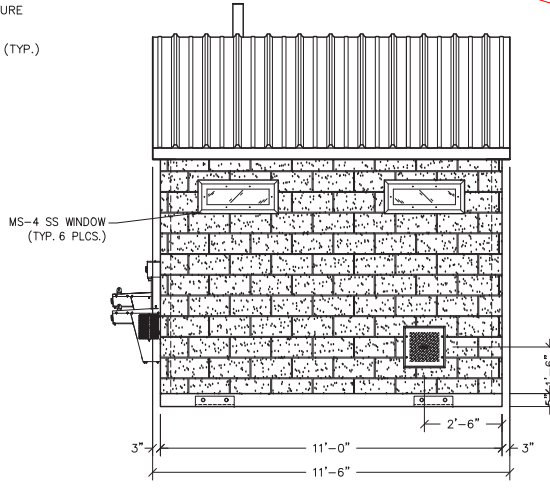
FRONT ELEVATION



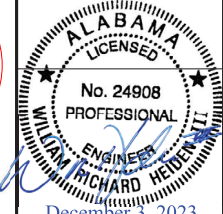
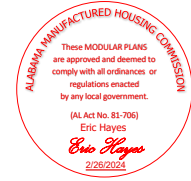
RH ELEVATION



REAR ELEVATION



LH ELEVATION



LB Foster
CXT® Products

6707 E. Flamingo Ave, Bldg 300, Nampa, ID 83687
901 N. Highway 77 Hillsboro, TX 76645
362 Waverly Road Williamstown, WV 26187

PROJECT NO. DAKOTA
BUILDING NUMBER DK-110

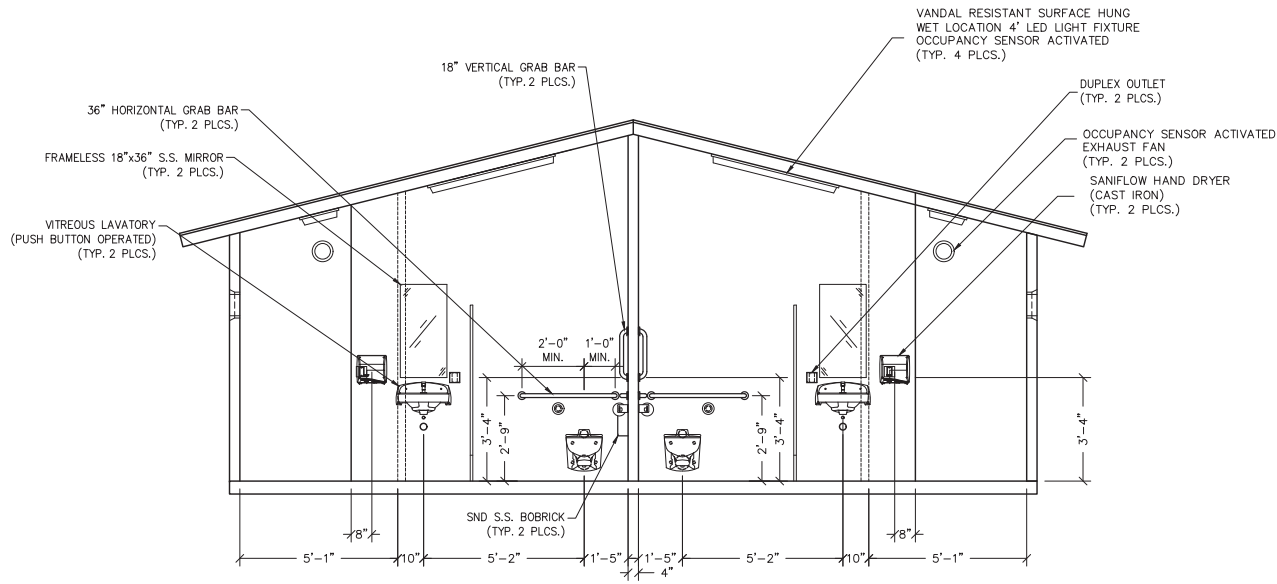
NOTICE
The information contained herein is proprietary and the exclusive property of CXT Incorporated. The information may only be used by the original recipient for the purpose intended. Reproduction or distribution of this information is strictly prohibited without the prior written consent of CXT Incorporated. By giving use of this information, CXT Incorporated grants no warranty, express or implied, including a warranty of merchantability or of fitness for a particular purpose.
CXT Incorporated

NO.	ADDED	DESCRIPTION	DATE	BY
1	ADDED DOOR STOPS			

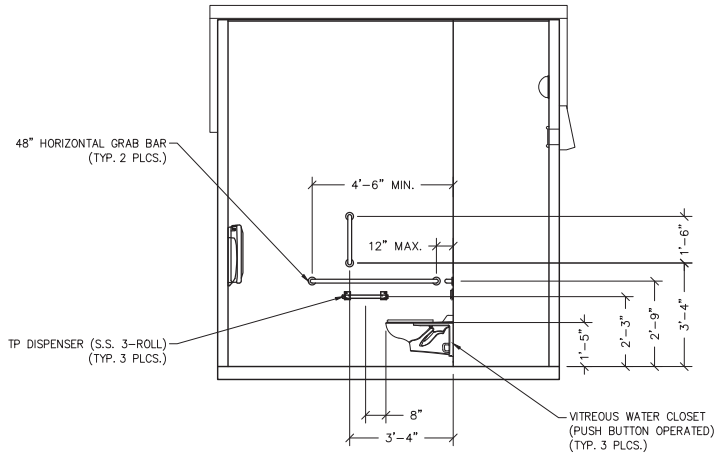
SCALE: 1/4"=1'-0"
DRAWN: CLOS
CHECKED: SUPNER
DATE: 9-19-23
FILE NO.: DK-110
PLOT: 48

BUILDING ELEVATIONS
DWG NO. DK-04
SHEET 4 OF 25
REV. 1

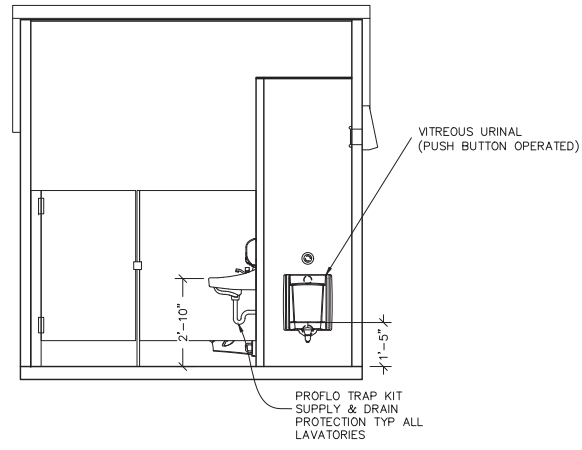
MARINE PACKAGE



1 INTERIOR ELEVATION



2 INTERIOR ELEVATION - MEN'S SINGLE STALL
WOMEN'S OPPOSITE HAND

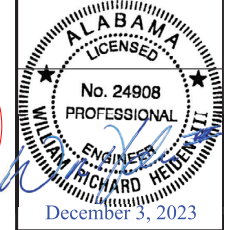
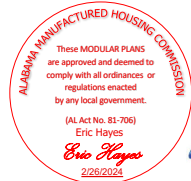


3 INTERIOR ELEVATION - MEN'S LAVATORY & URINAL

MATERIALS	
ITEM	QTY
18" GRAB BAR	2
36" GRAB BAR	2
48" GRAB BAR	2
TOILET PAPER DISPENSER	3
TOILET PAPER ROLL	9
SND S.S. BOBRICK	2

MARINE PACKAGE
CU. FT. CONC. SQ. FT. W.W.F.

APPROXIMATE WEIGHT



LB Foster
CXT® Products

6707 E. Flamingo Ave, Bldg 300, Nampa, ID 83687
801 N. Highway 77 Hillsboro, TX 76645
362 Waverly Road Williamstown, WV 26187

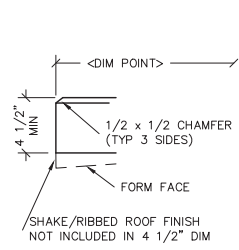
DAKOTA
BUILDING NUMBER DK-110

NOTICE
The information contained herein is proprietary and the exclusive property of CXT Incorporated. The information may only be used by the original recipient for the purpose intended. Reproduction or distribution of this information is strictly prohibited without the prior written consent of CXT Incorporated. By allowing use of this information, CXT Incorporated grants no warranty, express or implied, including a warranty of merchantability or of fitness for a particular purpose.

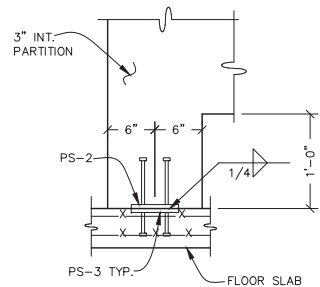
NO.	DESCRIPTION	DATE
1	ADDED DOOR STOPS	12/01/2023
2	REVISED	9-19-23
3	SCALE	1/4"=1'-0"
4	DRAWN	1/2023
5	CHECKED	1/2023
6	FILE NO.	DK-110
7	SUPPLIER	PLOT 48

INTERIOR ELEVATIONS

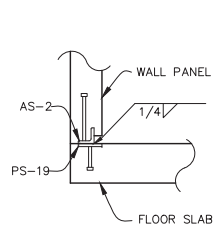
DWG NO. DK-05 SHEET 5 OF 25 REV. 1



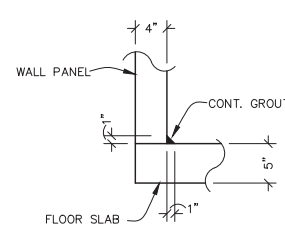
1 TYPICAL ROOF SLAB EDGE



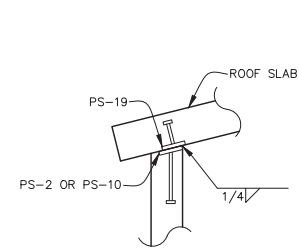
2 INT. PARTITION BASE CONNECTION



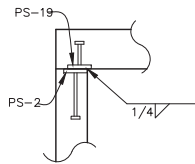
3 TYP. WALL TO FLOOR SLAB WELDED CONNECTION



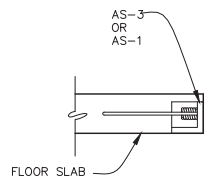
4 TYP. WALL TO FLOOR SLAB JOINT DETAIL



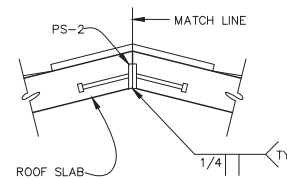
5 TYP. WALL TO ROOF SLAB WELDED CONNECTION



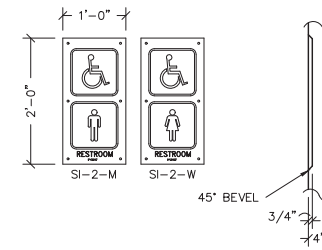
6 TYP. WALL TO WALL PANEL WELDED CONNECTION



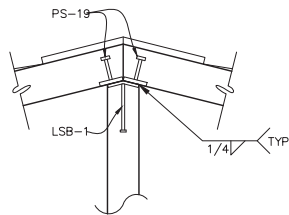
7 FLOOR LIFT PLATE DETAIL



8 ROOF PEAK WELDMENT DETAIL



9 SIGN SI-2 DETAIL



10 ROOF PEAK TO INTERIOR WALL CONNECTION

ALABAMA MANUFACTURED HOUSING COMMISSION
 These MODULAR PLANS are approved and deemed to comply with all ordinances or regulations enacted by any local government.
 (AL Act No. 81-706)
 Eric Hayes
Eric Hayes
 2/28/2024



December 3, 2023

LB Foster
CXT® Products

6707 E. Flamingo Ave, Bldg 300, Nampa, ID 83687
 801 N. Highway 77 Hillsboro, TX 76645
 362 Waverly Road Williamstown, WV 26187

DAKOTA
 BUILDING NUMBER DK-110

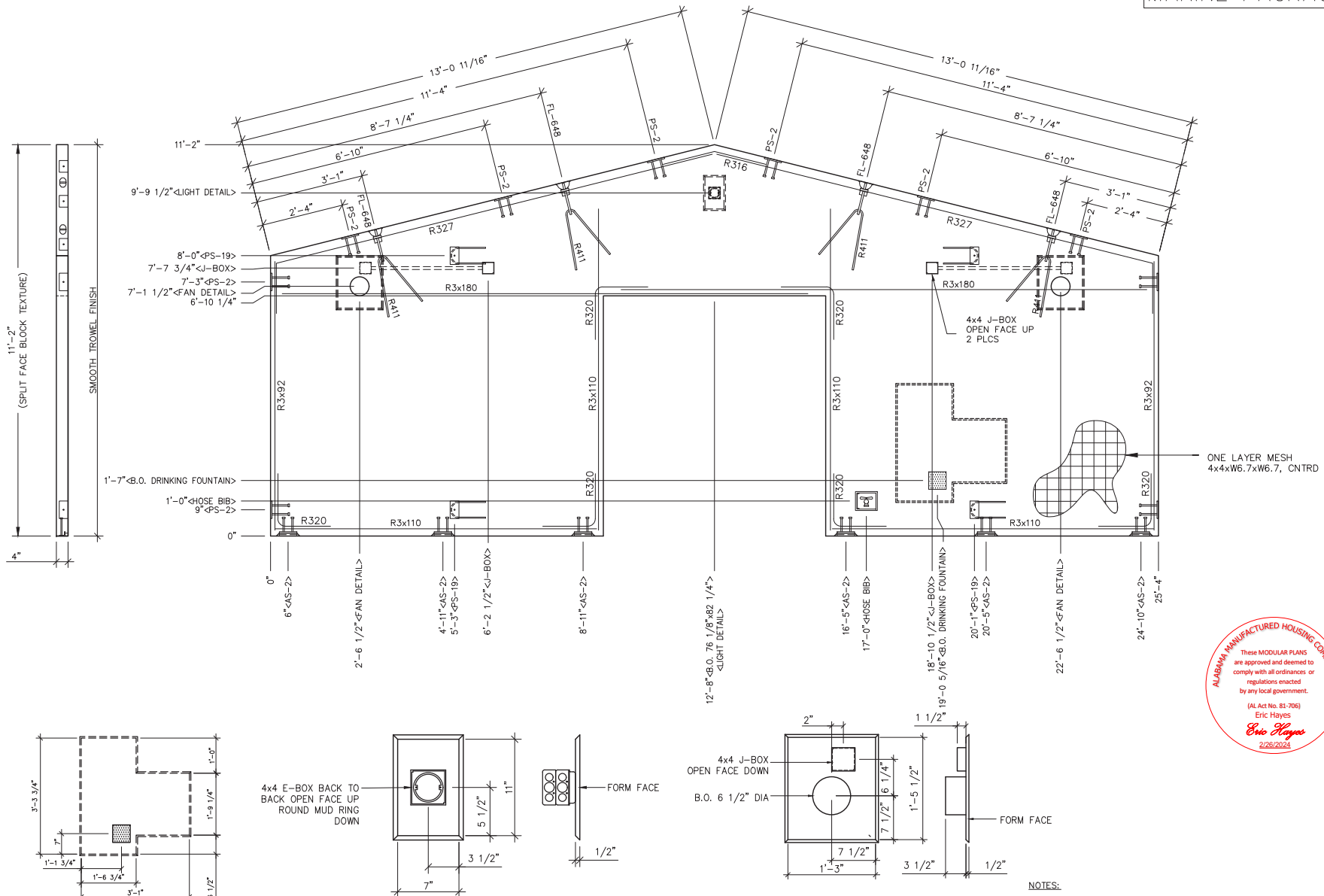
NOTICE
 The information contained herein is proprietary and the exclusive property of CXT Incorporated. The information may only be used by the original recipient for the purpose intended. Reproduction or distribution of this information is strictly prohibited without the prior written consent of CXT Incorporated. By allowing use of this information, CXT Incorporated grants no warranty, express or implied, including a warranty of merchantability or of fitness for a particular purpose.

NO. 1	ADDED DOOR STOPS	DATE	9-19-23
SCALE	NPS	FILE NO.	DK-110
DRAWN	LOOS	PLOT	48
CHECKED	SUPPNER		

DETAILS

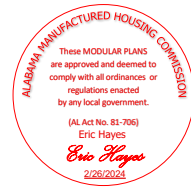
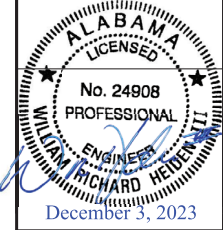
DWG NO.	7	SHEET	25	REV.	1
	DK-07				

MARINE PACKAGE



EMBEDDED MATERIALS	
ITEM	QTY
AS-2 SS	6
PS-2 SS	10
FL-648	4
R411	4
R3x92	4
R3x110	8
R3x180	4
R320	12
R327	2
R316	1
R303	4
PS-19 SS	4
4x4 J-BOX	4
B.O. 6 1/2" DIA	2
4x4 E-BOX	2
ROUND MUD RING	1
B.O. 76 1/8" x 82 1/4"	1
B.O. DRINKING FOUNTAIN	1
TEXTURE B.O.	1
HOSE BIB	1

MARINE PACKAGE	
CU. FT. CONC.	SQ. FT. W.W.F.
66.2 (2.45)	199
APPROXIMATE WEIGHT	
9,336	



LB Foster
CXT® Products

6707 E. Flamingo Ave, Bldg 300, Nampa, ID 83687
801 N. Highway 77 Hillsboro, TX 76645
362 Waverly Road Williamstown, WV 26187

DAKOTA
BUILDING NUMBER DK-110

NOTICE
The information contained herein is proprietary and the exclusive property of CXT Incorporated. The information may only be used by the original recipient for the purpose intended. Reproduction or distribution of this information is strictly prohibited without the prior written consent of CXT Incorporated. By allowing use of this information, CXT Incorporated grants no warranty, express or implied, including a warranty of merchantability or of fitness for a particular purpose.

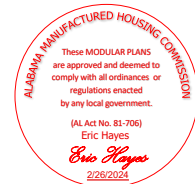
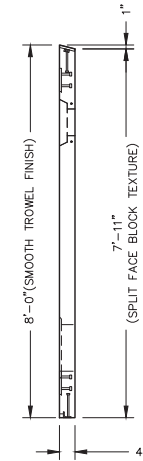
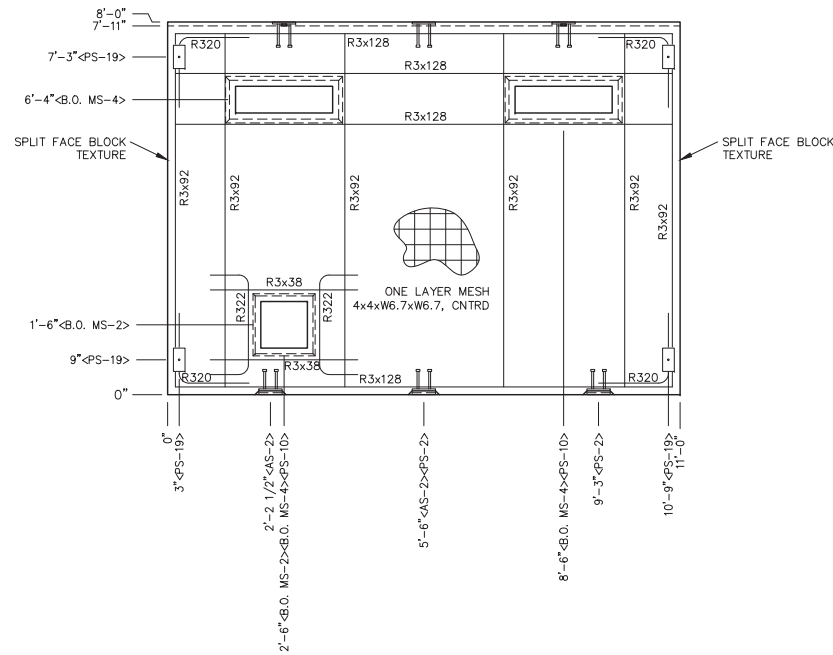
NO.	DESCRIPTION	DATE
1	ADDED DOOR STOPS	12/15/2023
2	REVISIONS	9-19-23
3	SCALE	3/8"=1'-0"
4	DRAWN	SSS
5	CHECKED	SSS
6	SUPER	SSS
7	FILE NO.	DK-110
8	PLOT	32

WALL PANEL MARK W1

DWG NO.	SHEET	REV.
DK-08	8 / 25	1

- NOTES:**
- EXCEPT R411, R327 & R316, REINFORCING BARS TO BE PLACED IN PAIRS ONE EACH FACE OF PANEL W/ 3/4" MIN. COVER
 - ALL OTHER BARS TO BE CENTERED IN PANEL.

MARINE PACKAGE



NOTES:

- EXCEPT R322 & R3x38 REINFORCING BARS TO BE PLACED IN PAIRS ONE EACH FACE OF PANEL W/ 3/4" MIN. COVER
- ALL OTHER REBAR TO BE CENTERED IN PANEL.

EMBEDDED MATERIALS	
ITEM	QTY
AS-2 SS	3
PS-2 SS	1
PS-10 SS	2
PS-19 SS	4
R3x92	12
R3x128	8
R320	8
R3x38	2
R322	2
B.O. MS-2	1
B.O. MS-4	2

MARINE PACKAGE	
CU. FT. CONC. 28.2 (1.04)	SQ. FT. W.W.F. 88
APPROXIMATE WEIGHT 4,231	

MARINE PACKAGE	
CU. FT. CONC. 28.2 (1.04)	SQ. FT. W.W.F. 88
APPROXIMATE WEIGHT 4,231	



LB Foster
CXT® Products

6707 E. Fleming Ave, Bldg 300, Nampa, ID 83687
801 N. Highway 77 Hillsboro, TX 76645
362 Waverly Road Williamstown, WV 26187

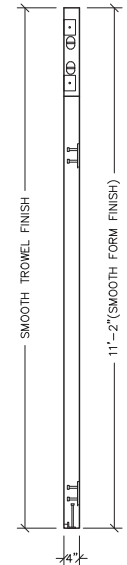
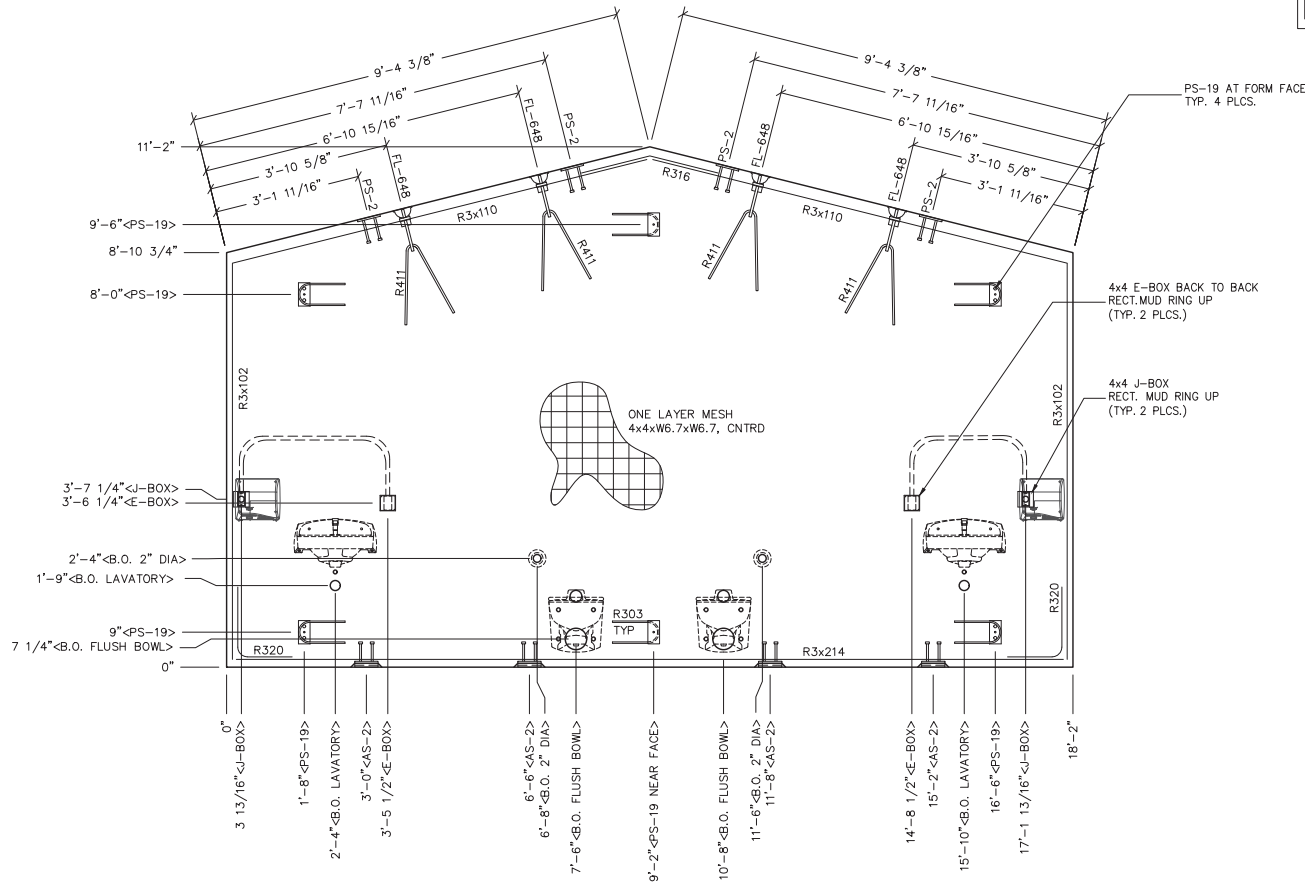
DAKOTA
BUILDING NUMBER DK-110

NOTICE
The information contained herein is proprietary and the exclusive property of CXT Incorporated. The information may only be used by the original recipient for the purpose intended. Reproduction or distribution of this information is strictly prohibited without the prior written consent of CXT Incorporated. By allowing use of this information, CXT Incorporated grants no warranty, express or implied, including a warranty of merchantability or of fitness for a particular purpose.

ADD'D DOOR STOPS	JKWJMSYADQD-17-25
SCALE	3/8"=1'-0" DATE 9-19-23
DRAWN	CS22 FILE NO. DK-110
CHECKED	SPENNER PLOT 32

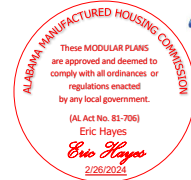
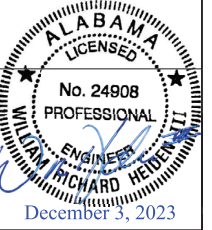
WALL PANEL MARK W3		
DWG NO. DK-10	SHEET 10 25	REV. 1

MARINE PACKAGE



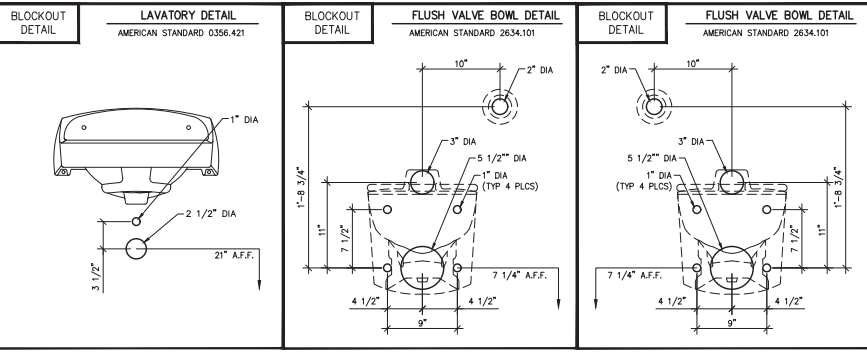
EMBEDDED MATERIALS	
ITEM	QTY
AS-2 SS	4
PS-2 SS	4
PS-19 SS	6
FL-648	4
R411	4
R303	6
R3x110	2
R3x102	4
R316	1
R3x214	2
R320	4
4x4 E-BOX	4
RECT. MUD RING	4
4x4 J-BOX	2
B.O. LAVATORY	2
B.O. FLUSH BOWL	2
B.O. 2\" DIA	2

MARINE PACKAGE	
CU. FT. CONC.	SQ. FT. W.W.F.
60.7 (2.25)	182
APPROXIMATE WEIGHT	
9,112	



LB Foster
CXT® Products

6707 E. Flamingo Ave, Bldg 300, Nampa, ID 83687
801 N. Highway 77 Hillsboro, TX 76645
362 Noverly Road, Williamsstown, WV 26187



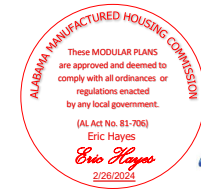
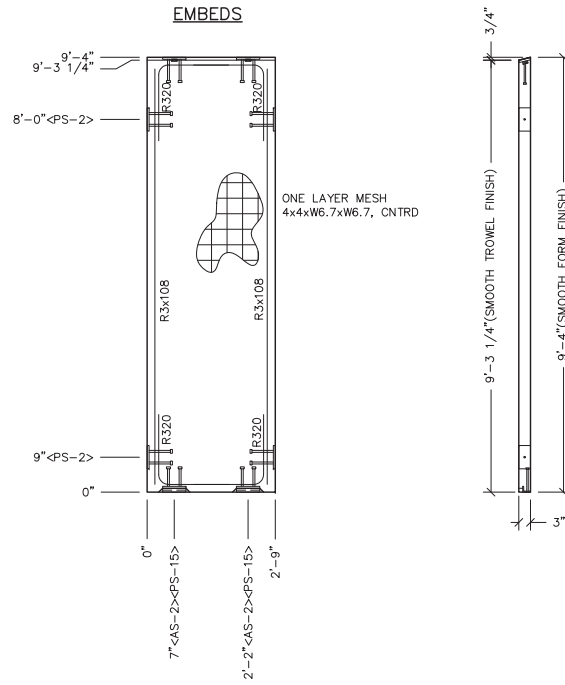
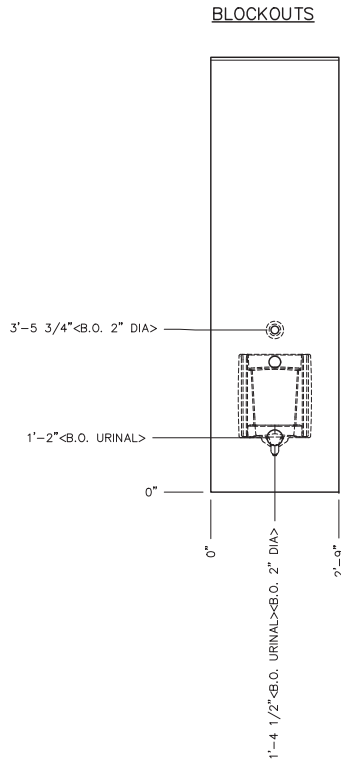
NOTES:

1. EXCEPT R303, R411, R3x110 & R316, REINFORCING BARS TO BE PLACED IN PAIRS ONE EACH FACE OF PANEL W/ 3/4\"/>

NOTICE	
The information contained herein is proprietary and the exclusive property of CXT Incorporated. The information may only be used by the original recipient for the purpose intended. Reproduction or distribution of this information is strictly prohibited without the prior written consent of CXT Incorporated. By allowing use of this information, CXT Incorporated grants no warranty, express or implied, including a warranty of merchantability or of fitness for a particular purpose.	
CXT Incorporated	
1.1	ADDED DOOR STOPS
1.2	REVISIONS
SCALE	3/8\"/>
DRAWN	12/22
CHECKED	SUPPNER
WALL PANEL MARK W4	
DWG NO.	DK-11
SHEET	11
REV.	25

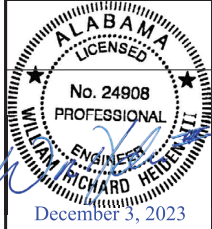
MARINE PACKAGE

EMBEDDED MATERIALS	
ITEM	QTY
AS-2 SS	2
PS-15 SS	2
PS-2 SS	4
R3x108	4
R320	8
B.O. URINAL	1
B.O. 2" DIA	1



MARINE PACKAGE	
CU. FT. CONC.	SQ. FT. W.W.F.
6.4 (0.24)	26

APPROXIMATE WEIGHT
96.3



6707 E. Flamingo Ave, Bldg 300, Nampa, ID 83687
801 N. Highway 77 Hillsboro, TX 76645
362 Waverly Road Williamstown, WV 26187

DAKOTA
BUILDING NUMBER DK-110

NOTICE
The information contained herein is proprietary and the exclusive property of CXT Incorporated. The information may only be used by the original recipient for the purpose intended. Reproduction or distribution of this information is strictly prohibited without the prior written consent of CXT Incorporated. By allowing use of this information, CXT Incorporated grants no warranty, express or implied, including a warranty of merchantability or of fitness for a particular purpose.

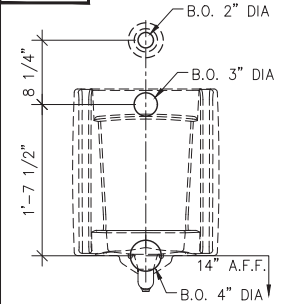
CXT Incorporated

NO.	DESCRIPTION	DATE
1	ADDED DOOR STOPS	9-19-23
2	REVISIONS	9-19-23
3	REVISIONS	9-19-23
4	REVISIONS	9-19-23
5	REVISIONS	9-19-23
6	REVISIONS	9-19-23
7	REVISIONS	9-19-23
8	REVISIONS	9-19-23
9	REVISIONS	9-19-23
10	REVISIONS	9-19-23
11	REVISIONS	9-19-23
12	REVISIONS	9-19-23
13	REVISIONS	9-19-23
14	REVISIONS	9-19-23
15	REVISIONS	9-19-23
16	REVISIONS	9-19-23
17	REVISIONS	9-19-23
18	REVISIONS	9-19-23
19	REVISIONS	9-19-23
20	REVISIONS	9-19-23
21	REVISIONS	9-19-23
22	REVISIONS	9-19-23
23	REVISIONS	9-19-23
24	REVISIONS	9-19-23
25	REVISIONS	9-19-23

WALL PANEL
MARK W6

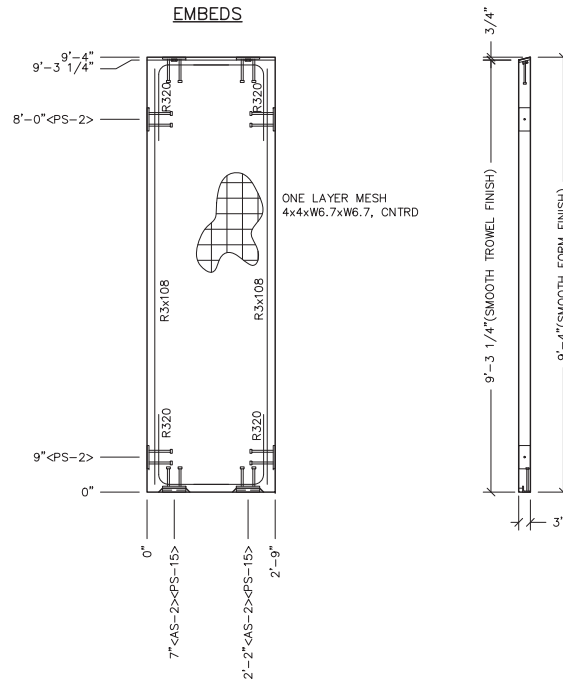
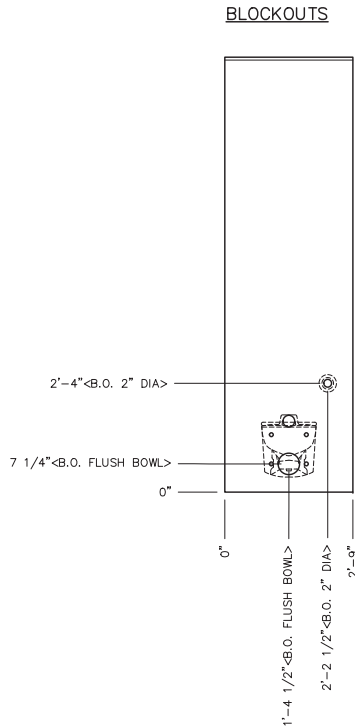
DWG NO.	SHEET	REV.
DK-13	13	1

BLOCKOUT DETAIL

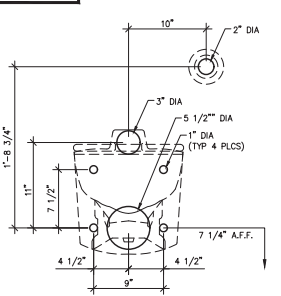


- NOTES:
1. REINFORCING BARS TO BE PLACED IN PAIRS ONE EACH FACE OF PANEL W/ 3/4" MIN. COVER

MARINE PACKAGE



**BLOCKOUT
DETAIL**



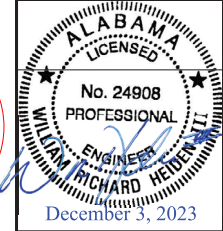
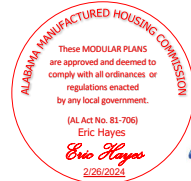
NOTES:

- REINFORCING BARS TO BE PLACED IN PAIRS
ONE EACH FACE OF PANEL W/ 3/4" MIN. COVER

EMBEDDED MATERIALS	
ITEM	QTY
AS-2 SS	2
PS-15 SS	2
PS-2 SS	4
R3x108	4
R320	8
B.O. FLUSH BOWL	1
B.O. 2" DIA	1

MARINE PACKAGE	
CU. FT. CONC.	SQ. FT. W.W.F.
6.4 (0.24)	26

APPROXIMATE WEIGHT
96.3



6707 E. Fleming Ave, Bldg 300, Nampa, ID 83687
801 N. Highway 77 Hillsboro, TX 76645
362 Waverly Road Williamsstown, WV 26187

PROJECT NO. DAKOTA
BUILDING NUMBER DK-110

NOTICE

The information contained herein is proprietary and the exclusive property of CXT Incorporated. The information may only be used by the original recipient for the purpose intended. Reproduction or distribution of this information is strictly prohibited without the prior written consent of CXT Incorporated. By drawing use of this information, CXT Incorporated grants no warranty, express or implied, including a warranty of merchantability or of fitness for a particular purpose.

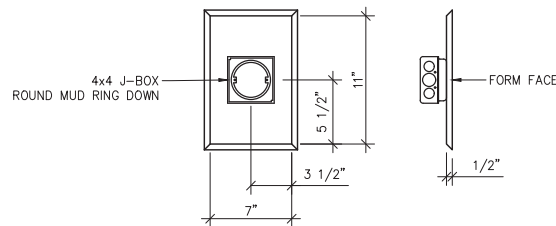
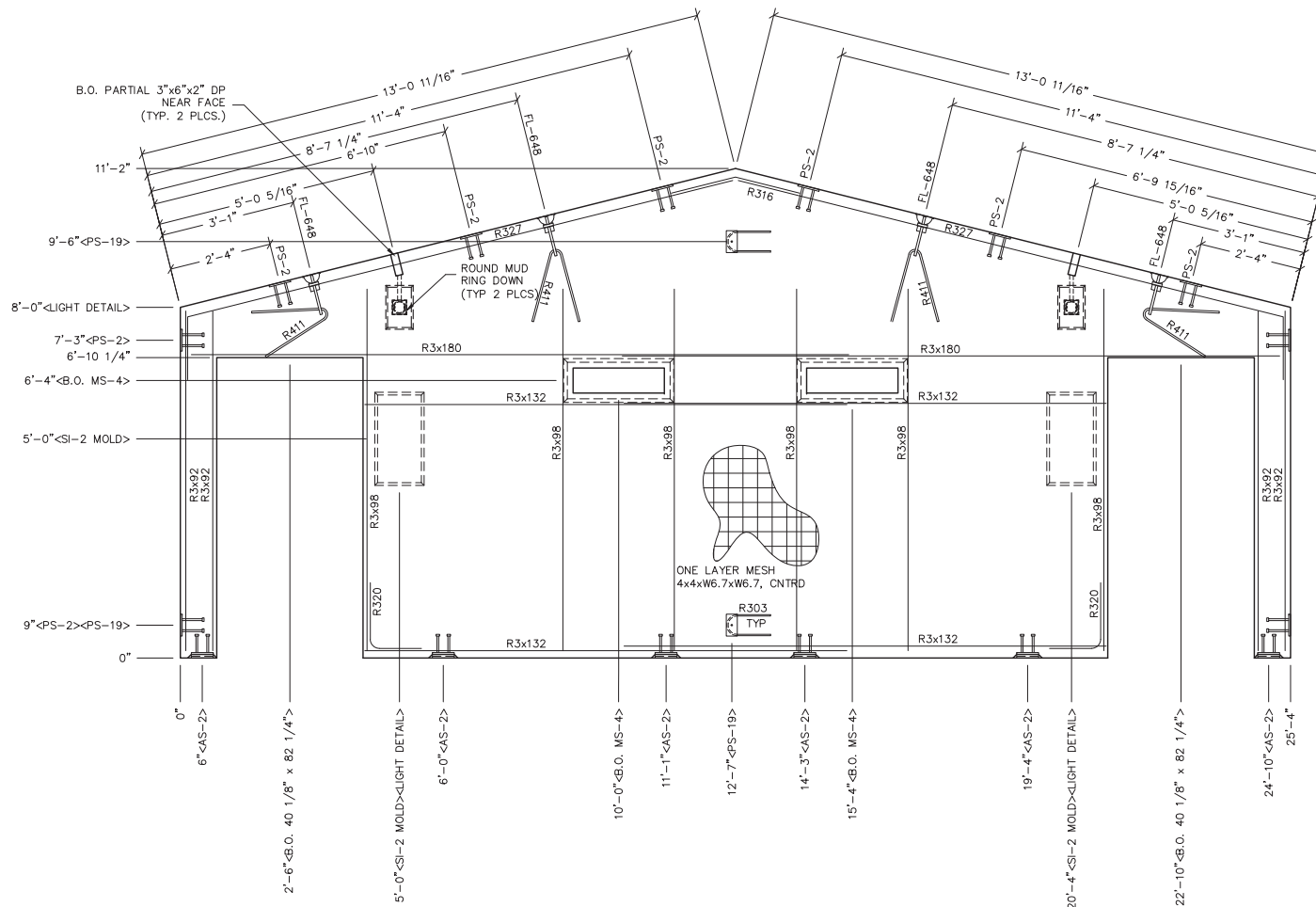
CXT Incorporated

REV.	DESCRIPTION	DATE
1	ADDED DOOR STOPS	9-19-23

**WALL PANEL
MARK W7**

DWG NO.	SHEET	REV.
DK-14	14/25	1

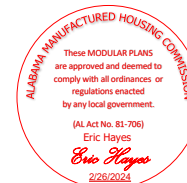
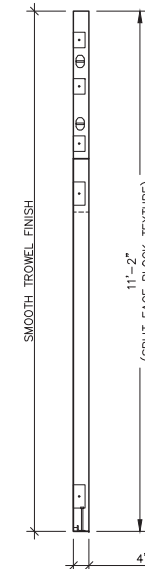
MARINE PACKAGE



LIGHT DETAIL

NOTES:

- EXCEPT R303, R411, R327 & R316, REINFORCING BARS TO BE PLACED IN PAIRS ONE EACH FACE OF PANEL, W/ 3/4" MIN. COVER ALL OTHER BARS TO BE CENTERED IN PANEL



EMBEDDED MATERIALS	
ITEM	QTY
AS-2 SS	6
PS-2 SS	10
FL-648	4
R411	4
R3x92	8
R3x98	12
R3x180	4
R320	4
R327	2
R316	1
R3x132	8
B.O. PARTIAL 3"x6"x2" DP	2
R303	2
PS-19 SS	2
4x4 J-BOX	2
ROUND MUD RING	2
B.O. 40 1/8" x 82 1/4"	2
B.O. MS-4	2
SI-2 MOLD	2

MARINE PACKAGE	
CU. FT. CONC.	SO. FT. W.W.F.
64.9 (2.40)	197

APPROXIMATE WEIGHT 9,730



December 3, 2023



6707 E. Flamingo Ave, Bldg 300, Nampa, ID 83687
 801 N. Highway 77 Hillsboro, TX 76645
 362 Waverly Road Williamstown, WV 26187

PROJECT NO. DAKOTA
 BUILDING NUMBER DK-110

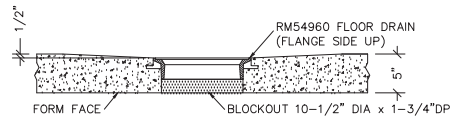
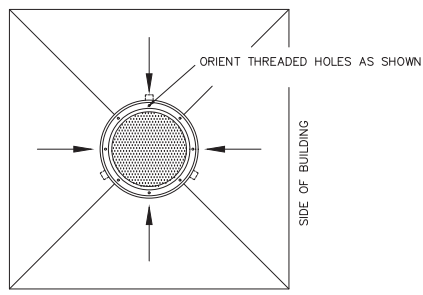
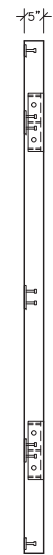
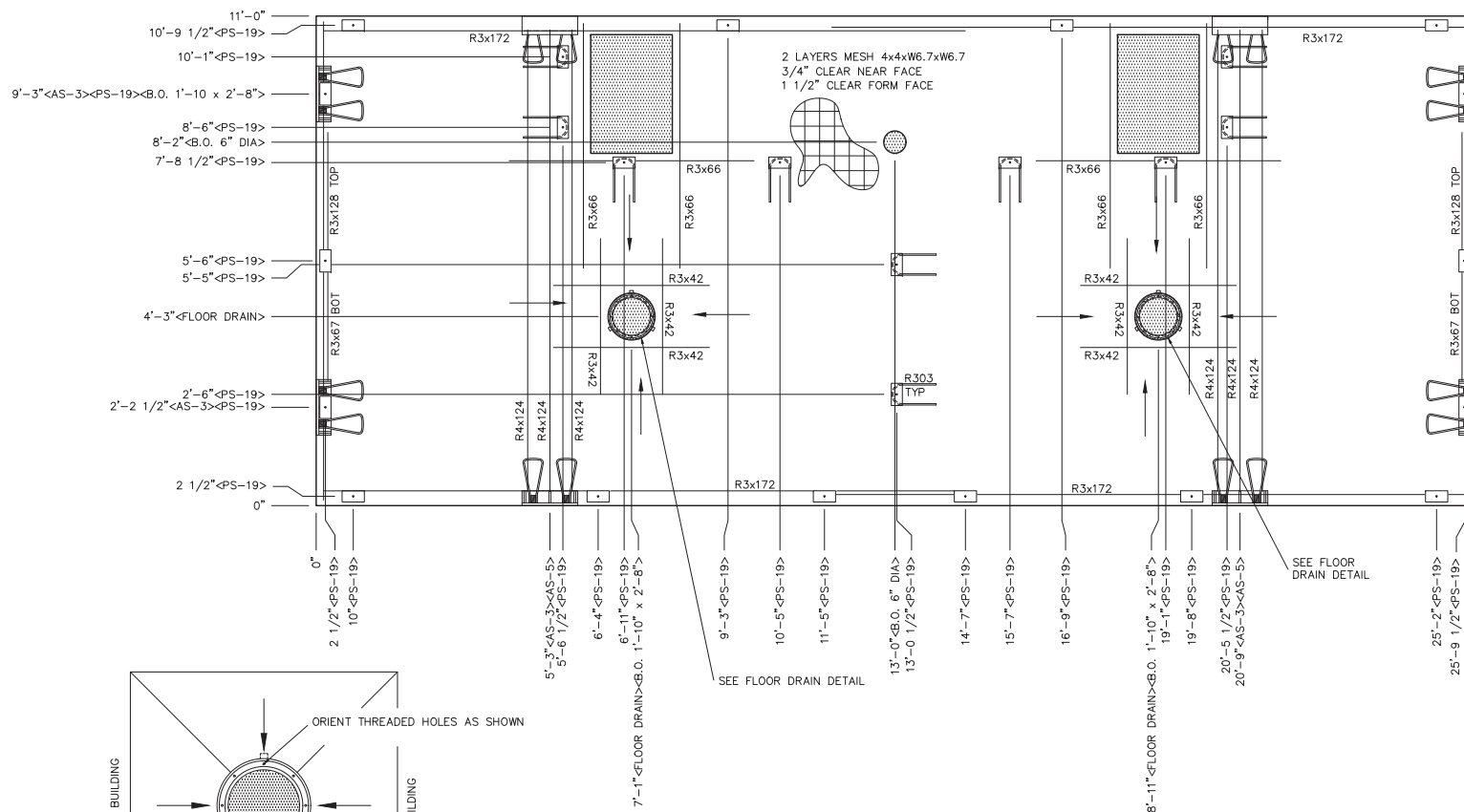
NOTICE
 The information contained herein is proprietary and the exclusive property of CXT Incorporated. The information may only be used by the original recipient for the purpose intended. Reproduction or distribution of this information is strictly prohibited without the prior written consent of CXT Incorporated. By allowing use of this information, CXT Incorporated grants no warranty, express or implied, including a warranty of merchantability or of fitness for a particular purpose.

CXT Incorporated	
NO. ADDED DOOR STOPS	NO. MOUNTING HOLES - 17-25
REV. 1	ISSUED
SCALE: 3/8"=1'-0"	DATE: 9-19-23
DRAWN: [Signature]	FILE NO.: DK-110
CHECKED: SUPERNER	PLOT: 32

WALL PANEL MARK W8

DWG NO.	SHEET	REV.
DK-15	15	1
	25	

MARINE PACKAGE

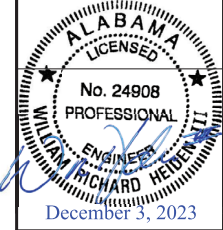
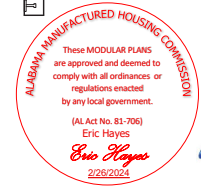


FLOOR DRAIN BLOCKOUT DETAIL

- NOTES:
1. SLOPE 1/4" TO FLOOR DRAIN BLOCKOUTS AS INDICATED BY ARROWS.
 2. EXCEPT R3x67, R3x128 & R4x124, REINFORCING BARS TO BE PLACED IN PAIRS ONE EACH FACE OF PANEL WITH 1 1/4" MIN. COVER
 3. R4x124 TO BE PLACED IN BOTTOM OF PANEL WITH 1 1/4" COVER

EMBEDDED MATERIALS		
ITEM	QTY	
B.O. 6" DIA	1	
AS-3	6	
AS-5	2	
PS-19 SS	26	
R303	10	
R3x42	16	
R3x67	2	
R3x66	12	
R3x128	2	
R3x172	8	
R4x124	6	
FLOOR DRAIN	2	
B.O. 1'-10" x 2'-8"	2	

MARINE PACKAGE	
CU. FT. CONC.	SQ. FT. W.W.F.
115.0 (4.26)	572
APPROXIMATE WEIGHT	
17,252	



6707 E. Flamingo Ave, Bldg 300, Nampa, ID 83687
801 N. Highway 77 Hillsboro, TX 76645
362 Waverly Road Williamstown, WV 26187

PROJECT NO. DAKOTA
BUILDING NUMBER DK-110

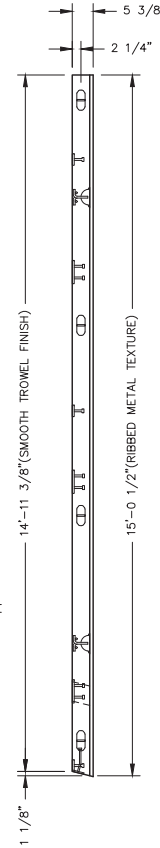
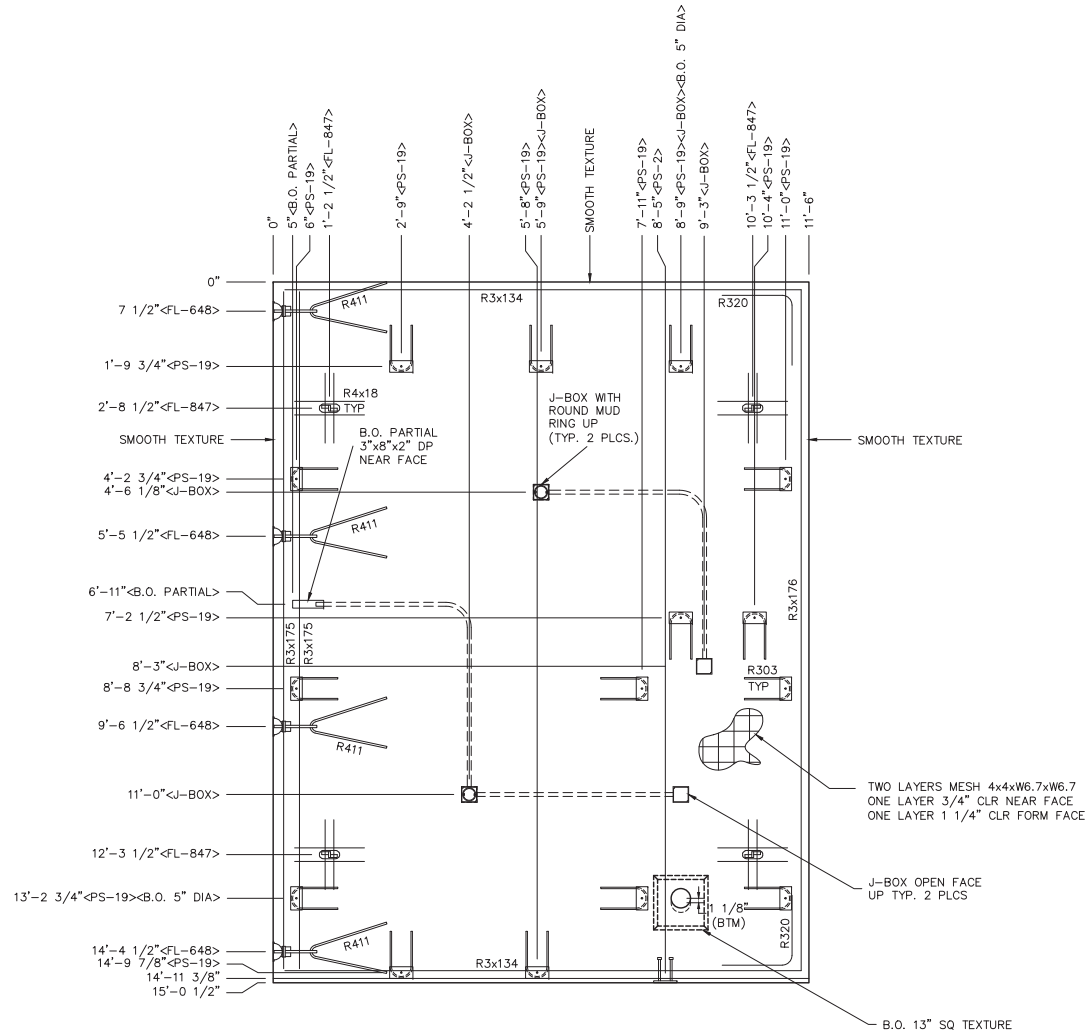
NOTE:
The information contained herein is proprietary and the exclusive property of CXT Incorporated. The information may only be used by the original recipient for the purpose intended. Reproduction or distribution of this information is strictly prohibited without the prior written consent of CXT Incorporated. By allowing use of this information, CXT Incorporated grants no warranty, express or implied, including a warranty of merchantability or of fitness for a particular purpose.

ADD'D DOOR STOPS	NO. OF DOOR STOPS
REVISIONS	DATE
DRAWN	FILE NO.
CHECKED	PLOT

FLOOR SLAB
MARK F1

DWG. NO.	SHEET	REV.
DK-16	16	1
	25	

MARINE PACKAGE



NOTES:

- EXCEPT R303, R411, R3x175 & R4x18 BARS TO BE PLACED IN PAIRS, ONE EACH FACE OF PANEL W/ 1 1/4" MIN. COVER.
- PLACE R4x18 REBAR WITH 1" COVER NEAR FACE.
- ALL OTHER BARS TO BE CENTERED IN PANEL.
- AFTER BUILDING ASSEMBLY, GROUT LIFTING INSERT VOIDS & FINISH TO MATCH

EMBEDDED MATERIALS	
ITEM	QTY
PS-19 SS	15
FL-847	4
FL-648	4
R411	4
R303	15
R3x134	4
R3x175	2
R3x176	2
R320	4
PS-2 SS	1
R4x18	16
B.O. PARTIAL 3"x8"x2" DP	1
B.O. 5" DIA	1
4x4 J-BOX	4
ROUND MUD RING	2
TEX. B.O. 13"x13"	1

MARINE PACKAGE	
CU. FT. CONC.	SQ. FT. W.W.F.
67.9 (2.52)	346

APPROXIMATE WEIGHT
10,191



6707 E. Flamingo Ave, Bldg 300, Nampa, ID 83687
801 N. Highway 77 Hillsboro, TX 76645
362 Waverly Road Williamstown, WV 26187

DAKOTA
BUILDING NUMBER DK-110

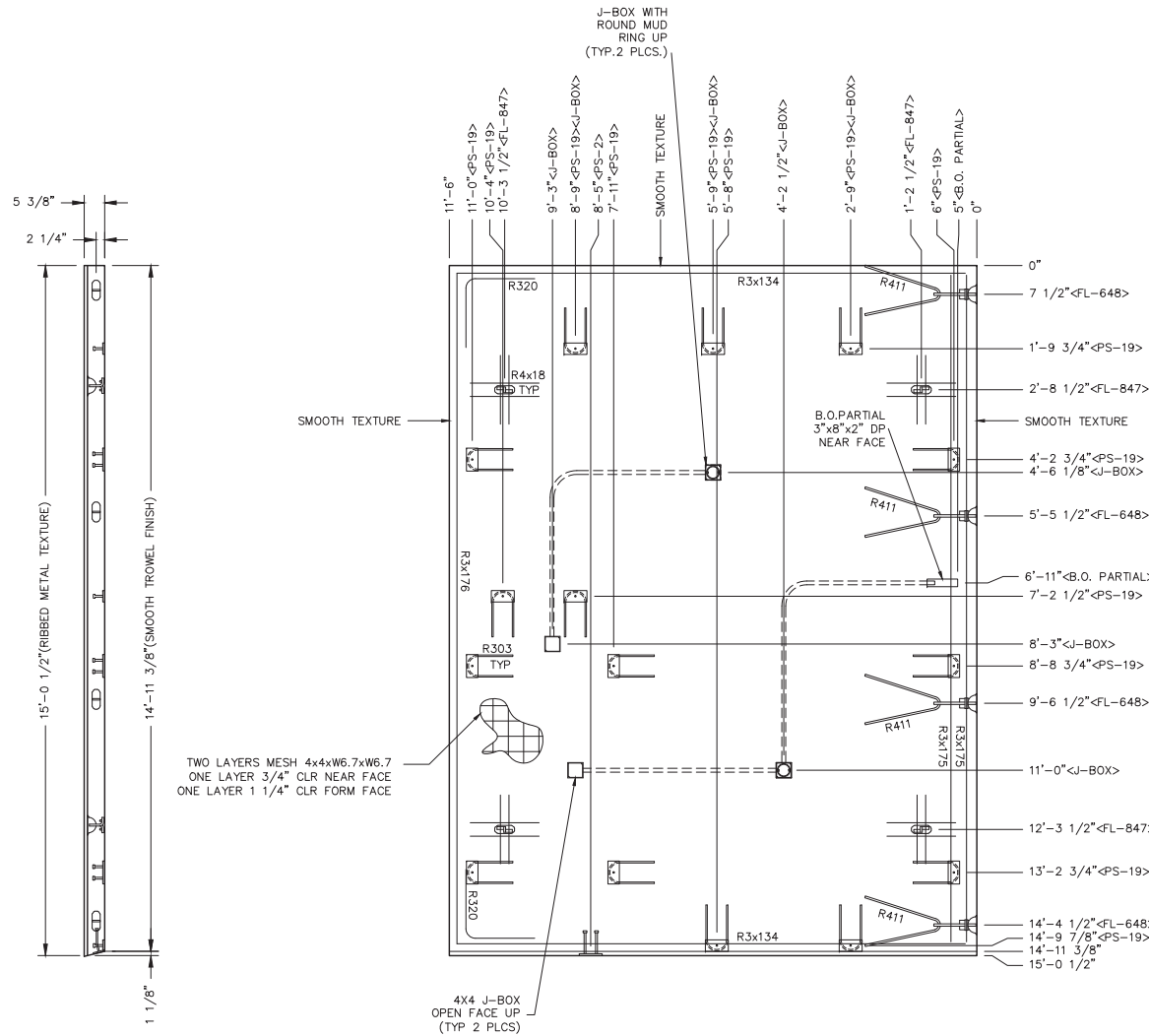
NOTICE
The information contained herein is proprietary and the exclusive property of CXT Incorporated. The information may only be used by the original recipient for the purpose intended. Reproduction or distribution of this information is strictly prohibited without the prior written consent of CXT Incorporated. By electing use of this information, CXT Incorporated grants no warranty, express or implied, including a warranty of merchantability or of fitness for a particular purpose.

REV.	DESCRIPTION	DATE
1	ADDED DOOR STOPS	9-19-23
2	CHANGES	9-19-23
3	CHANGES	9-19-23

ROOF SLAB
MARK R1

DWG NO.	SHEET	REV.
DK-17	17	1

MARINE PACKAGE



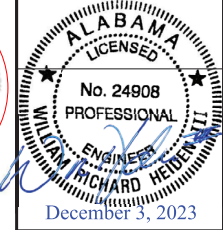
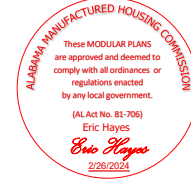
TWO LAYERS MESH 4x4xW6.7xW6.7
ONE LAYER 3/4" CLR NEAR FACE
ONE LAYER 1 1/4" CLR FORM FACE

- NOTES:**
- EXCEPT R303, R411, R3x175 & R4x18 BARS TO BE PLACED IN PAIRS, ONE EACH FACE OF PANEL W/ 1 1/4" MIN. COVER.
 - PLACE R4x18 REBAR WITH 1" COVER NEAR FACE.
 - ALL OTHER BARS TO BE CENTERED IN PANEL.
 - AFTER BUILDING ASSEMBLY, GROUT LIFTING INSERT VOIDS & FINISH TO MATCH

EMBEDDED MATERIALS	
ITEM	QTY
PS-19 SS	15
FL-847	4
FL-648	4
R411	4
R303	15
R3x134	4
R3x175	2
R3x176	2
R320	4
PS-2 SS	1
R4x18	16
B.O. PARTIAL 3"x6"x2" DP	1
ROUND MUD RING	2
4x4 J-BOX	4

MARINE PACKAGE	
CU. FT. CONC.	SQ. FT. W.W.F.
68.0 (2.52)	346

APPROXIMATE WEIGHT
10,199



LB Foster
CXT® Products

6707 E. Flamingo Ave, Bldg 300, Nampa, ID 83687
801 N. Highway 77 Hillsboro, TX 76645
362 Waverly Road Williamstown, WV 26187

DAKOTA
BUILDING NUMBER DK-110

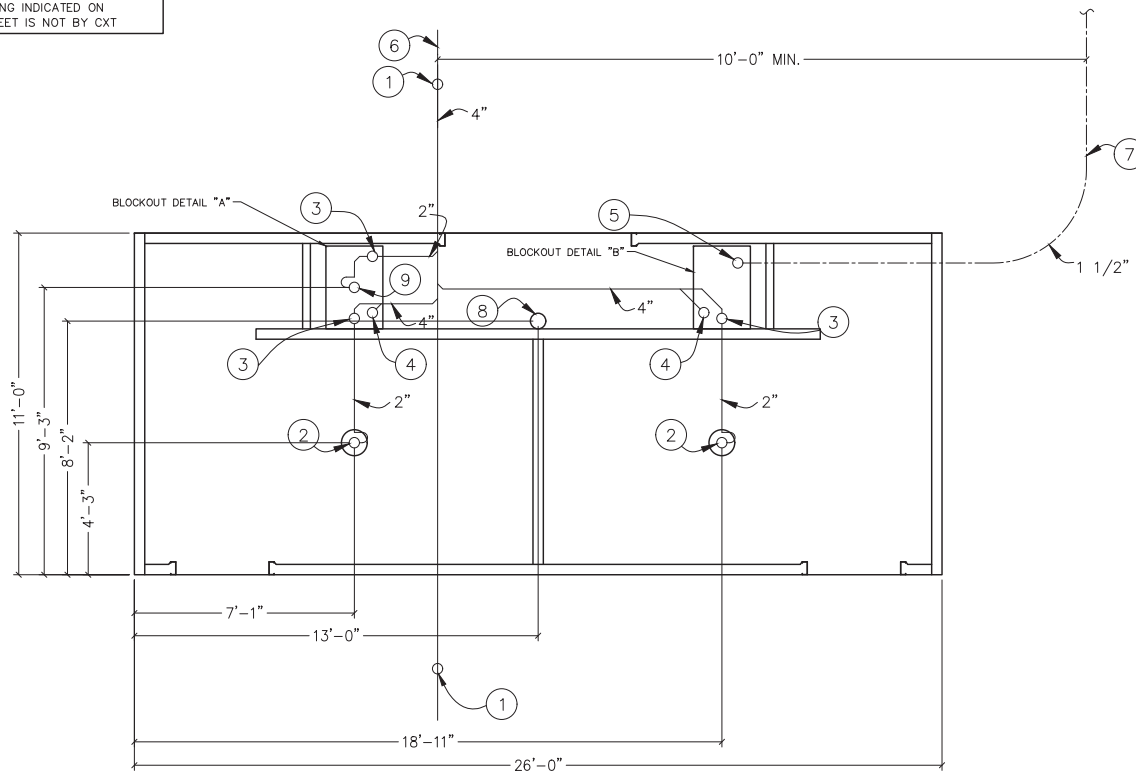
NOTICE
The information contained herein is proprietary and the exclusive property of CXT Incorporated. The information may only be used by the original recipient for the purpose intended. Reproduction or distribution of this information is strictly prohibited without the prior written consent of CXT Incorporated. By allowing use of this information, CXT Incorporated grants no warranty, express or implied, including a warranty of merchantability or of fitness for a particular purpose.
CXT Incorporated

NO. ADDED DOOR STOPS	NO. W/STAYS	NO. 17-25
SCALE	DATE	9-19-23
DRAWN	FILE NO.	DK-110
CHECKED	PLOT	32

ROOF SLAB
MARK R2

DWG NO.	SHEET	REV.
DK-18	18 25	1

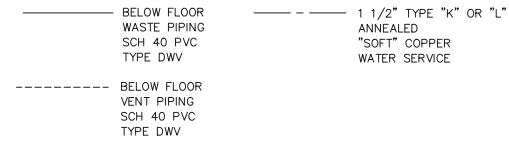
ALL PIPING INDICATED ON THIS SHEET IS NOT BY CXT



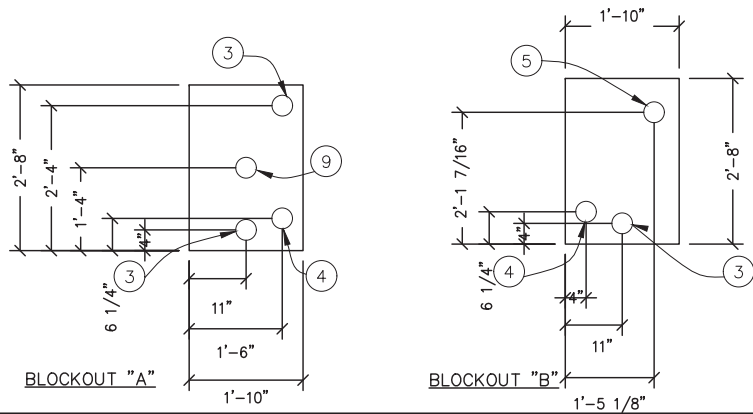
BELOW FLOOR PIPING – KEY NOTES

1. 4" CLEAN OUT TO GRADE.
2. 2" FLOOR DRAIN. FIELD INSTALLED TRAP SEAL (10"Ø BLOCKOUT)
3. 2" VENT PIPES EXTENDED 12" ABOVE FINISHED FLOOR LEVEL, PROVIDE TEST PLUG. (1'-10"x2'-8" BLOCKOUT)
4. 4" WASTE PIPE EXTENDED 12" ABOVE FINISHED FLOOR LEVEL, PROVIDE TEST PLUG. (1'-10"x2'-8" BLOCKOUT)
5. 1 1/2" TYPE K OR L ANNEALED "SOFT" COPPER WATER SERVICE EXTENDED 12" ABOVE FINISHED FLOOR LEVEL, PROVIDE CAP AT END. (1'-10"x2'-8" BLOCKOUT)
6. 30" MIN. BURY, PROVIDE TRACER TAPE.
7. MIN. BURY PER LOCAL REQUIREMENTS TO PROTECT FROM FREEZING AND DAMAGE.
8. ELECTRICAL STUB UP, (6"Ø BLOCKOUT)
9. 2" FLOOR DRAIN. FIELD INSTALLED TRAP SEAL (1'-4 1/2"x2'-0" BLOCKOUT)

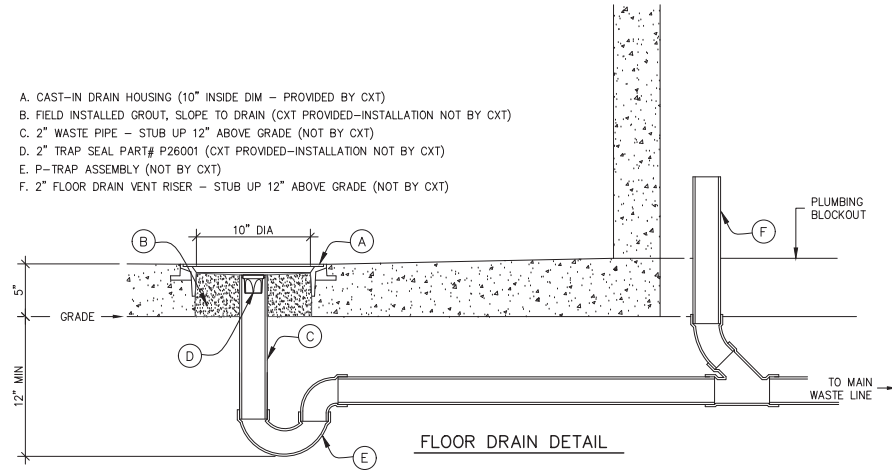
PIPING LEGEND



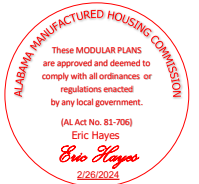
FLOOR DRAIN BLOCKOUTS & BELOW FLOOR PIPING



- A. CAST-IN DRAIN HOUSING (10" INSIDE DIM – PROVIDED BY CXT)
- B. FIELD INSTALLED GROUT, SLOPE TO DRAIN (CXT PROVIDED—INSTALLATION NOT BY CXT)
- C. 2" WASTE PIPE – STUB UP 12" ABOVE GRADE (NOT BY CXT)
- D. 2" TRAP SEAL PART# P26001 (CXT PROVIDED—INSTALLATION NOT BY CXT)
- E. P-TRAP ASSEMBLY (NOT BY CXT)
- F. 2" FLOOR DRAIN VENT RISER – STUB UP 12" ABOVE GRADE (NOT BY CXT)



FLOOR DRAIN DETAIL



December 3, 2023

LB Foster
CXT® Products

6707 E. Fleming Ave, Bldg 300, Nampa, ID 83687
801 N. Highway 77 Hillsboro, TX 76645
362 Waverly Road Williamstown, WV 26187

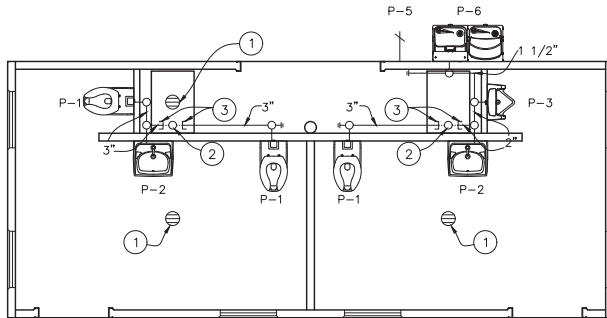
DAKOTA
BUILDING NUMBER DK-110

NOTICE
The information contained herein is proprietary and the exclusive property of CXT Incorporated. The information may only be used by the original recipient for the purpose intended. Reproduction or distribution of this information is strictly prohibited without the prior written consent of CXT Incorporated. By giving use of this information, CXT Incorporated grants no warranty, express or implied, including a warranty of merchantability or of fitness for a particular purpose.
CXT Incorporated

NO.	ADDED	DOOR	STOPS	REVISED	DATE	BY
1						

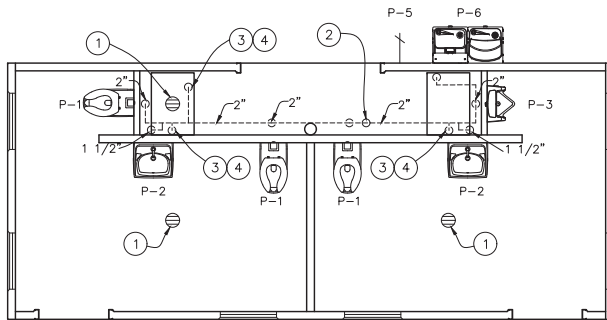
FLOOR DRAIN LOCATIONS & BELOW FLOOR PIPING

DWG NO. DK-20	SHEET 20	REV. 1
	25	



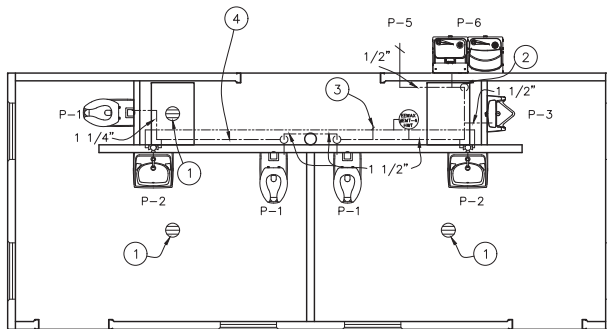
WASTE PIPE PLAN

1/4"=1'-0"



VENT PIPE PLAN

1/4"=1'-0"



WATER PIPE PLAN

1/4"=1'-0"

WASTE PIPING — KEY NOTES

1. 2" FLOOR DRAIN, FIELD INSTALLED (NOT BY CXT)
2. 4" WASTE THROUGH FLOOR, FIELD INSTALLED (NOT BY CXT)
3. PROVIDE TEST PLUG IN END OF WASTE PIPE. CONTINUATION OF PIPING IS FIELD INSTALLED & NOT BY CXT.

VENT PIPING — KEY NOTES

1. 2" FLOOR DRAIN, FIELD INSTALLED (NOT BY CXT)
2. 3" VENT THROUGH ROOF.
3. 2" VENT WITH TEST PLUG.
4. FIELD INSTALLED 2" VENT PIPING FROM FLOOR DRAINS. (NOT BY CXT)

WATER PIPING — KEY NOTES

1. 2" FLOOR DRAIN, FIELD INSTALLED (NOT BY CXT)
2. FIELD INSTALLED 1 1/2" WATER SUPPLY WITH SHUT-OFF VALVE NEAR FLOOR. (NOT BY CXT)
3. 3/4" HOSE BIBB WITH VACUUM BREAKER AND WHEEL HANDLE
4. WATER PIPING ALONG WALL, SEE DIAGRAM ON DK-22.

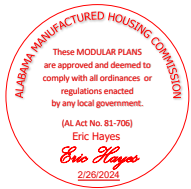
PIPING LEGEND

- COLD WATER; COPPER, ASTM B88, TYPE "K" OR "L"
- HOT WATER; COPPER, ASTM B88, TYPE "K" OR "L"
- - - VENT PIPING; SCH 40 PVC, ASTM D2665, TYPE DWV
- WASTE PIPE; SCH 40 PVC, ASTM D2665, TYPE DWV
- FIELD PIPING; (NOT BY CXT)

SPECIAL NOTES:

1. TOTAL FIXTURE COUNT: (5)
2. FLOWING PRESSURE: 45 PSI MIN, 80 PSI MAX
3. TOTAL DEVELOPED LENGTH = 20'-0"*

*APPROXIMATE DISTANCE FROM THE SOURCE TO THE FARTHEST FIXTURE



December 3, 2023



6707 E. Flamingo Ave, Bldg 300, Nampa, ID 83687
801 N. Highway 77 Hillsboro, TX 76645
362 Moverly Road Williamstown, WV 26187

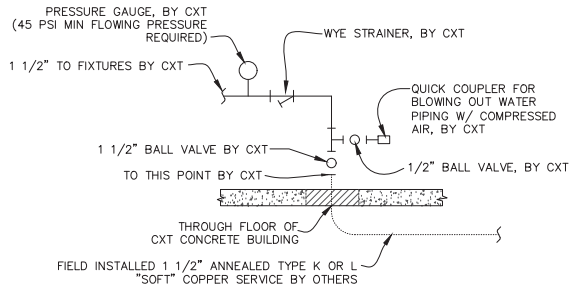
DAKOTA
BUILDING NUMBER DK-110

NOTICE
The information contained herein is proprietary and the exclusive property of CXT Incorporated. The information may only be used by the original recipient for the purpose intended. Reproduction or distribution of this information is strictly prohibited without the prior written consent of CXT Incorporated. By allowing use of this information, CXT Incorporated grants no warranty, express or implied, including a warranty of merchantability or of fitness for a particular purpose.
CXT Incorporated

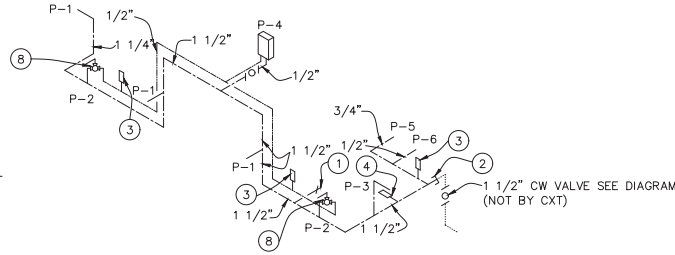
NO.	ADDED	DOOR	STOPS	REVISIONS	DATE	BY
1						

WASTE, VENT, & WATER PIPING PLANS & NOTES

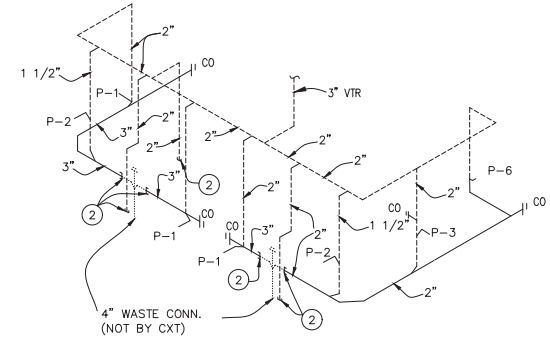
DWG NO. DK-21 SHEET 21 OF 25 REV. 1



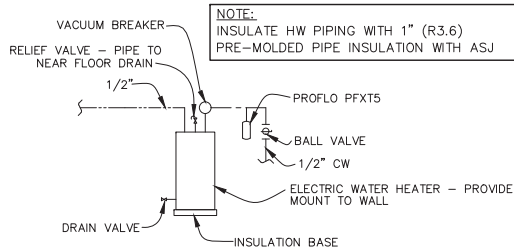
WATER SERVICE DETAIL
NTS



WATER PIPING RISER DIAGRAM
NTS



WASTE & VENT RISER DIAGRAM
NTS



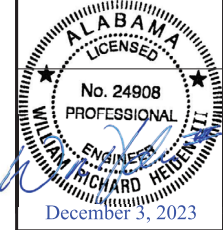
WATER HEATER DETAIL

WATER PIPING RISER - KEY NOTES

- 3/4" HOSE BIBB WITH VACUUM BREAKER & WHEEL HANDLE.
- TO THIS POINT BY CXT.
- 1/2" AIR QUICK CONNECTION W/ BALL VALVE FOR BLOWING OUT WATER PIPING.
- 1/2" BALL VALVE & CAPPED CW LINE FOR BLOWING OUT WATER PIPING.
- 1/2" CW TO WATER HEATER, SEE HOT WATER PIPING RISER DIAGRAM.
- PROVIDE WYE STRAINER
- ASSE 1010 WATER HAMMER ARRESTOR SIOUX CHIEF HYDRA-RESTOR #654-C OR EQUAL.
- ASSE 1070 WATER TEMPERATURE LIMITING DEVICE
- PROVIDE SHUT-OFF VALVES ON COLD AND HOT WATER SUPPLY FOR EACH FIXTURE

PIPING LEGEND

- COLD WATER; COPPER, ASTM B88, TYPE "K" OR "L"
- HOT WATER; COPPER, ASTM B88, TYPE "K" OR "L"
- VENT PIPING; SCH 40 PVC, ASTM D2665, TYPE DWV
- WASTE PIPE; SCH 40 PVC, ASTM D2665, TYPE DWV
- FIELD PIPING; (NOT BY CXT)



SYM	DESCRIPTION	MANUFACTURER	CXT PART NUMBER	FLUSH VL/FAUCET	SUPPLIES	QTY	HW	CW	WASTE	VENT	SUPPLIES / NOTES
P-1	WATER CLOSET (PUSH BUTTON)	AMERICAN STANDARD	2634.101 (W.C.) 5905.100 (W.C. SEAT)	SLOAN "ROYAL" #952-1.6 L-3 W=4"	SLOAN HY33A	3		1-1/4"	3"	2"	1. OFFSET FLUSH VALVE TAILPIECE PER ADA, RIGHT OR LEFT HAND, AS REQUIRED. 2. PROVIDE FLUSH VALVE FOR 4" WALL THICKNESS. 3. MOUNT RIM AT 17" ABOVE FLOOR. 3. USE CLOSET GASKET JG13534 AND Z1203 FINISH KIT
P-2	LAVATORY (PUSH BUTTON)	AMERICAN STANDARD	0356.421 (LAV)	SYMMONS SLS-7000		2	1/2"	1/2"	1-1/2"	1-1/2"	1. 1/2X15 COMP ANG LAV BSCR1915AC 2. 3 PC COVER SET PF202WH.
P-3	URINAL (PUSH BUTTON)	AMERICAN STANDARD	6515.001(URINAL)	SLOAN "ROYAL" #995.1	SLOAN HY33A	1	-	3/4"	2"	2"	1. PROVIDE FLUSH VALVE FOR 3" WALL THICKNESS. 2. MOUNT RIM AT 17" ABOVE FLOOR.
P-4	WATER HEATER	EEMAX	EMT-4			1	1/2"	1/2"	-	-	1. 4 GALLON 120V WALL MOUNTED WATER HEATER. PROVIDE GFCI OUTLET IN CHASE PER MFR RECOMMENDATIONS.
P-5	HOSE BIB	PRIER	WALL HYDRANT: C-63N10 HYDRANT BOX C-634BX1 GASKET: C-634			1	-	3/4"	-	-	
P-6	DRINKING FOUNTAIN	ELKAY	VRCTL8WSK			1	-	1/2"	1 1/2"	1 1/2"	1. DUAL HEIGHT COMBINATION
P-7	NOT USED										
P-8	FLOOR DRAIN	TRAVIS SIOUX CHIEF	RM54960 840-2A			2 1			2" 2"	2" 2"	1. 2" TRAP SEAL PART# P26001 (CXT PROVIDED-INSTALLATION NOT BY CXT)

LB Foster
CXT® Products

6707 E. Flamingo Ave, Bldg 300, Nampa, ID 83687
801 N. Highway 77 Hillsboro, TX 76645
362 Waverly Road Williamstown, WV 26187

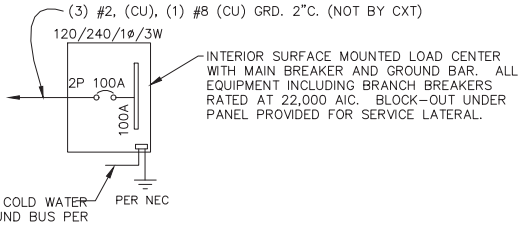
DAKOTA
BUILDING NUMBER DK-110

NOTE
The information contained herein is proprietary and the exclusive property of CXT Incorporated. The information may only be used by the original recipient for the purpose intended. Reproduction or distribution of this information is strictly prohibited without the prior written consent of CXT Incorporated. By allowing use of this information, CXT Incorporated grants no warranty, express or implied, including a warranty of merchantability or of fitness for a particular purpose.
CXT Incorporated

1	ADDED DOOR STOPS	12/10/2023	17-25
1	REVISIONS	DATE	REV
SCALE	3/16"=1'-0"	DATE	9-19-23
DRAWN	EGOS	FILE NO.	DK-110
CHECKED	SPINNER	PLOT	64

PLUMBING SCHEDULE, DIAGRAMS, & NOTES

DWG NO. **DK-22** SHEET 22 OF 25 REV. 1



ONE-LINE POWER DIAGRAM
 NTS

GENERAL ELECTRICAL NOTES

GENERAL NOTES

- RECESSED JUNCTION BOXES FOR SINGLE DEVICES SHALL HAVE SINGLE GANG MUD RINGS CAST IN CONCRETE WALLS.
- ALL RECEPTACLES SHALL BE GFCI PROTECTED BY CIRCUIT BREAKERS, OR BY OTHER GFCI RECEPTACLES.
- ALL CONDUIT SHALL BE SIZED PER NEC. EXPOSED CONDUIT SHALL BE EMT/FMC, RECESSED SHALL BE PVC.
- INSTALL ALL WIRING IN CONDUIT OR RELATED ENCLOSURES.
- ALL ELECTRICAL INSTALLATIONS SHALL MEET THE 2020 NATIONAL ELECTRICAL CODE (NEC).
- MINIMUM WIRE SIZE SHALL BE #12 AWG COPPER, THHN INSULATION UNLESS NOTED OTHERWISE.
- ROUTE ALL CONDUITS IN UTILITY ROOM AT CEILING OR FACE OF WALLS.
- ELECTRICAL DRAWINGS ARE DIAGRAMMATIC IN NATURE & MAY NOT SHOW EXACT LOCATIONS OF DEVICES. REFER TO WALL PANEL & OTHER DRAWINGS FOR EXACT LOCATIONS OF J-BOXES, ETC.
- CIRCUIT BREAKER LOCKOUTS REQUIRED FOR EACH HAND DRYER.

EXHAUST FAN SCHEDULE								
SYM	MFR	MODEL #	CFM	SONES	VOLTS	AMPS	WATTS	NOTES
EF-1	FANTECH	RVF-6XL	381	6.0	120	1.32	148	1

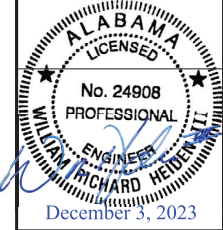
NOTE

- FANS LISTED FOR WET LOCATION, CONTROL VIA OCCUPANCY SENSOR. LOCATE OPEN FACE J-BOX ON EXTERIOR SIDE OF PANEL.

PANEL SCHEDULE													
AMP 100		PANEL 120/240V, 1P, 3W		TOTAL CONNECTED VA LOAD 5,053		TOTAL CALCULATED VA LOAD 5,349							
SURFACE MOUNT													
NO	DESCRIPTION	OCB	TYPE	LOAD (VA)	(A)	PH	NO	DESCRIPTION	OCB	TYPE	LOAD (VA)	(A)	
1	PHOTO CONTROLLED EXTERIOR LIGHTS	1P/20A	C	42	0.4	A	2	CHASE RECEPTACLE	1P/20A	R	180	1.5	
3	CHASE LIGHT	1P/20A	N	25	0.2	B	4	RM#1 & RM#2 RECEPTACLE	1P/20A	R	360	3.0	
5	RESTROOM #1 & #2 LIGHT & FAN	1P/20A	N	396	3.3	A	6	EEMAX WATER HEATER GFCI OUTLET	1P/20A	R	1,400	11.7	
7	RESTROOM #1 HAND DRYER	1P/20A	L	1,140	9.5	B	8	RESTROOM #2 HAND DRYER	1P/20A	N	1,140	9.5	
9	DRINKING FOUNTAIN GFCI	1P/20A	R	370	3.1	A	10						
11						B	12						
13						A	14						
15						B	16						
17						A	18						
19						B	20						
NOTE: MAXIMUM ALLOWABLE AIC IS 22K AMPS. PANEL MODIFICATIONS WILL BE REQUIRED (NOT BY CXT) IF TRANSFORMER CAPACITY EXCEEDS 175 KVA.										LOAD		CONNECTED	CALCULATED
										(C)CONTINUOUS		42 x1.25	53 VA
										(R)EC (1ST 10KVA)		2310 x1.00	2310 VA
										(N)ON-CONTINUOUS		1,561 x1.00	1,561 VA
										(L)ARGEST MOTOR		1,140 x1.25	1,425 VA
										TOTAL LOAD		5,053	5,349 VA
													22.3 AMPS

LIGHTING FIXTURE SCHEDULE			
FIXTURE NUMBER	VOLTAGE	WATTS	DESCRIPTION
A	120	25	LUMINAIRE VPF84 INTERIOR LIGHT FIXTURE, VPF8 4FT NODIM 25W 40K MV CLP WHT WL 20CC SURFACE MOUNTED, LED LAMP 4 FT, WRAP AROUND LENS, LOW TEMPERATURE DRIVER, BUILT IN OCCUPANCY SENSOR ACTIVATED W/ ADDITIONAL OCCUPANCY SENSOR FOR FAN CONTROL
B	120	14	SWOOP 610 LED EXTERIOR LIGHT, YWP610-14W HP-3500K-120-CP-BRZ-CAB/PC EXTERIOR, VANDAL RESISTANT, WALL MOUNTED, 14 WATT, CLEAR PRISMATIC LENS, BUILT IN PHOTOELECTRIC CONTROL
C	120	25	LUMINAIRE VPF84 INTERIOR LIGHT FIXTURE, VPF8 4FT NODIM 25W 40K MVOLT CLP WHT WL SURFACE MOUNTED, LED LAMP 4 FT, WRAP AROUND LENS, LOW TEMPERATURE DRIVER, SWITCH ACTIVATED
D	120	25	LUMINAIRE VPF84 INTERIOR LIGHT FIXTURE, VPF8 4FT NODIM 25W 40K MV CLP WHT WL OCC SURFACE MOUNTED, LED LAMP 4 FT, WRAP AROUND LENS, LOW TEMPERATURE DRIVER, BUILT IN OCCUPANCY SENSOR ACTIVATED

NOTE : THE SOURCE OF EFFICACY OF EXTERIOR LIGHTING IS TO BE A MINIMUM OF 45 LUMENS PER WATT.



6707 E. Flamingo Ave, Bldg 300, Nampa, ID 83687
 801 N. Highway 77 Hillsboro, TX 76645
 362 Waverly Road Williamstown, WV 26187

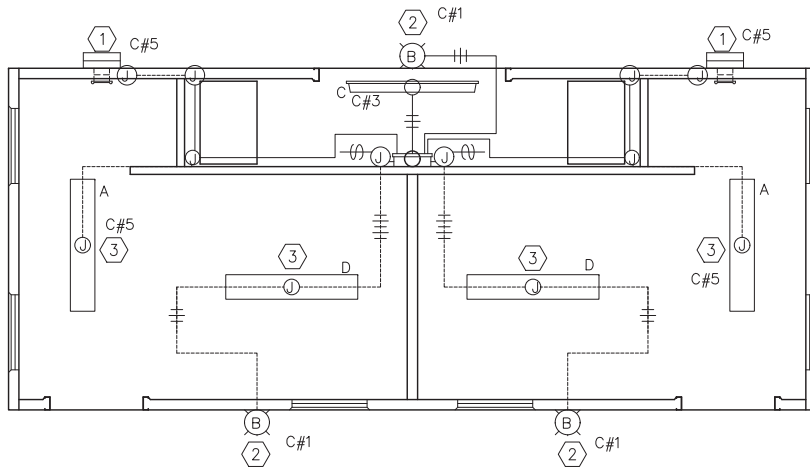
DAKOTA
 BUILDING NUMBER DK-110

NOTE
 The information contained herein is proprietary and the exclusive property of CXT Incorporated. The information may only be used by the original recipient for the purpose intended. Reproduction or distribution of this information is strictly prohibited without the prior written consent of CXT Incorporated. By allowing use of this information, CXT Incorporated grants no warranty, express or implied, including a warranty of merchantability or of fitness for a particular purpose.
 CXT Incorporated

NO	ADDED	DOOR	STOPS	DATE	BY
1				9-19-23	
SCALE	1/4"=1'-0"	DATE	9-19-23		
DRAWN	EGOS	FILE NO.	DK-110		
CHECKED	SUPNER	PLOT	48		

ELECTRICAL NOTES & SCHEDULES

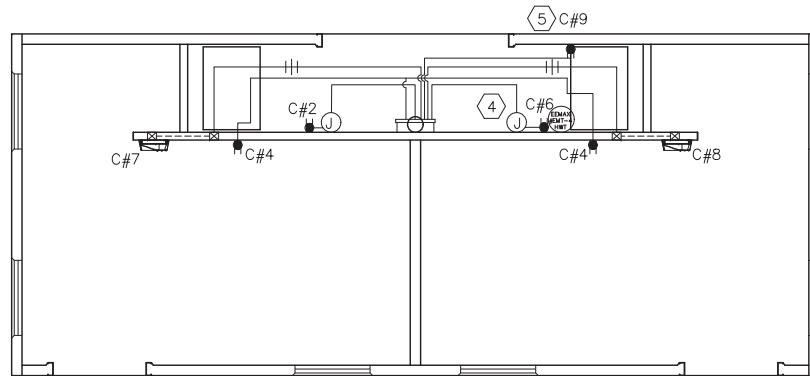
DWG NO.	DK-23	SHEET	23	REV.	1
			25		



LIGHTING / EXHAUST FAN PLAN

ELECTRICAL — KEY NOTES

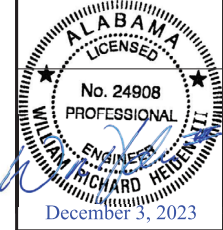
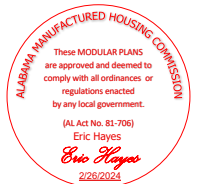
- ① CIRCUITS FOR EXHAUST FANS TO BE WIRED THROUGH OCCUPANCY SENSOR LIGHTS.
- ② LIGHT FIXTURE TO BE CONTROLLED BY PHOTOCELL. ROUTE WIRING IN CONCEALED CONDUIT.
- ③ OCCUPANCY SENSOR CONTROLLED INTERIOR LIGHTS.
- ④ GFCI OUTLET FOR WATER HEATER.
- ⑤ GFCI OUTLET FOR BOTTLE FILLER DRINKING FOUNTAIN.



WATER HEATER, HAND DRYER, BOTTLE FILLER GFCI AND RECEPTACLE PLAN

SYMBOLS LEGEND

- ① NOTE REFERENCE
- [] LED INTERIOR FIXTURE
- ⓑ LED EXTERIOR FIXTURE
- Ⓢ SWITCH
- Ⓞ GFCI DUPLEX RECEPTACLE
- [] LOAD CENTER/PANEL C
- Ⓧ JUNCTION BOX
- SURFACE MOUNTED CONDUIT, CROSSHATCH DENOTES WIRES, (ALL #12AWG UNO) ALWAYS ONE WIRE TO BE GROUND WIRE
- SURFACE MOUNTED CONDUIT
- CONCEALED CONDUIT
- [] HOT WATER TANK
- C#XX CIRCUIT NUMBER
- [] HAND DRYER



6707 E. Flamingo Ave, Bldg 300, Nampa, ID 83687
 801 N. Highway 77 Hillsboro, TX 76645
 362 Mowbray Road Williamstown, WV 26187

DAKOTA
 BUILDING NUMBER DK-110

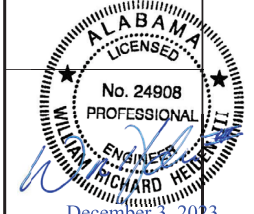
NOTICE
 The information contained herein is proprietary and the exclusive property of CXT Incorporated. The information may only be used by the original recipient for the purpose intended. Reproduction or distribution of this information is strictly prohibited without the prior written consent of CXT Incorporated. By allowing use of this information, CXT Incorporated grants no warranty, express or implied, including a warranty of merchantability or of fitness for a particular purpose.
 CXT Incorporated

REV.	DESCRIPTION	DATE
1	ADDED DOOR STOPS	10/19/23
2	REVISIONS	9-19-23
3	SCALE: 1/4"=1'-0"	DATE: 9-19-23
4	DRAWN: []	FILE NO.: DK-110
5	CHECKED: SUPPNER	PLOT: 48

ELECTRICAL PLAN,
 LEGEND, & NOTES
 DWG NO. DK-24 SHEET 24/25 REV. 1

WALL PANEL W1			WALL PANEL W2			WALL PANEL W3			WALL PANEL W4			WALL PANEL W5			WALL PANEL W6			WALL PANEL W7			WALL PANEL W8														
EMBEDDED MATERIALS			EMBEDDED MATERIALS			EMBEDDED MATERIALS			EMBEDDED MATERIALS			EMBEDDED MATERIALS			EMBEDDED MATERIALS			EMBEDDED MATERIALS			EMBEDDED MATERIALS														
ITEM	QTY		ITEM	QTY		ITEM	QTY		ITEM	QTY		ITEM	QTY		ITEM	QTY		ITEM	QTY		ITEM	QTY													
AS-2 SS	6		AS-2 SS	3		AS-2 SS	3		AS-2 SS	4		AS-2 SS	2		AS-2 SS	2		AS-2 SS	2		AS-2 SS	2		AS-2 SS	6										
PS-2 SS	10		PS-2 SS	1		PS-2 SS	1		PS-2 SS	4		PS-2 SS	2		PS-15 SS	2		PS-15 SS	2		PS-15 SS	2		PS-15 SS	2		PS-2 SS	10							
FL-648	4		PS-10 SS	2		PS-10 SS	2		PS-19 SS	6		PS-2 SS	4		PS-2 SS	4		PS-2 SS	4		PS-2 SS	4		PS-2 SS	4		FL-648	4							
R411	4		PS-19 SS	4		PS-19 SS	4		FL-648	4		R3x64	4		R3x108	4		R3x108	4		R3x108	4		R3x108	4		R411	4							
R3x92	4		R3x92	12		R3x92	12		R411	4		R3x129	4		R320	8		R320	8		R320	8		R320	8		R3x92	8							
R3x110	8		R3x128	8		R3x128	8		R303	6		R320	8		B.O. FLUSH BOWL	1		B.O. FLUSH BOWL	1		B.O. FLUSH BOWL	1		B.O. FLUSH BOWL	1		R3x98	12							
R3x180	4		R320	8		R320	8		R3x110	2		R320	8		B.O. 2" DIA	1		B.O. 2" DIA	1		B.O. 2" DIA	1		B.O. 2" DIA	1		R3x180	4							
R320	12		R3x38	2		R3x38	2		R3x102	4		R320	4														R320	4							
R327	2		R322	2		R322	2		R316	1		R320	4														R327	2							
R316	1		B.O. MS-2	1		B.O. MS-2	1		R3x214	2																	R316	1							
R303	4		B.O. MS-4	2		B.O. MS-4	2		R320	2																	R3x132	8							
PS-19 SS	4								4x4 E-BOX	4																	B.O. PARTIAL 3'x6'x2" DP	2							
4x4 J-BOX	4								RECT. MUD RING	4																	R303	2							
B.O. 6 1/2" DIA	2								4x4 J-BOX	2																	PS-19 SS	2							
4x4 E-BOX	2								B.O. LAVATORY	2																	4x4 J-BOX	2							
ROUND MUD RING	1								B.O. FLUSH BOWL	2																	ROUND MUD RING	2							
B.O. 76 1/8" x 82 1/4"	1								B.O. 2" DIA	2																	B.O. 40 1/8" x 82 1/4"	2							
B.O. DRINKING FOUNTAIN	1																										B.O. MS-4	2							
TEXTURE B.O.	1																										SI-2 MOLD	2							
HOSE BIB	1																																		
MARINE PACKAGE			MARINE PACKAGE			MARINE PACKAGE			MARINE PACKAGE			MARINE PACKAGE			MARINE PACKAGE			MARINE PACKAGE			MARINE PACKAGE			MARINE PACKAGE											
CU. FT. CONC.	66.2 (2.45)	SQ. FT. W.W.F.	199	CU. FT. CONC.	28.2 (1.04)	SQ. FT. W.W.F.	88	CU. FT. CONC.	28.2 (1.04)	SQ. FT. W.W.F.	88	CU. FT. CONC.	60.7 (2.25)	SQ. FT. W.W.F.	182	CU. FT. CONC.	26.9 (1.00)	SQ. FT. W.W.F.	81	CU. FT. CONC.	6.4 (0.24)	SQ. FT. W.W.F.	26	CU. FT. CONC.	6.4 (0.24)	SQ. FT. W.W.F.	26	CU. FT. CONC.	64.9 (2.40)	SQ. FT. W.W.F.	197	CU. FT. CONC.	64.9 (2.40)	SQ. FT. W.W.F.	197
APPROXIMATE WEIGHT	9,936			APPROXIMATE WEIGHT	4,231			APPROXIMATE WEIGHT	4,231			APPROXIMATE WEIGHT	9,112		APPROXIMATE WEIGHT	4,033			APPROXIMATE WEIGHT	963			APPROXIMATE WEIGHT	963			APPROXIMATE WEIGHT	9,730							

FLOOR SLAB F1			ROOF SLAB R1			ROOF SLAB R2					
EMBEDDED MATERIALS			EMBEDDED MATERIALS			EMBEDDED MATERIALS					
ITEM	QTY		ITEM	QTY		ITEM	QTY				
B.O. 6" DIA	1		PS-19 SS	15		PS-19 SS	15				
AS-3	6		FL-847	4		FL-847	4				
AS-5	2		FL-648	4		FL-648	4				
PS-19 SS	26		R411	4		R411	4				
R303	10		R303	15		R303	15				
R3x42	16		R3x134	4		R3x134	4				
R3x67	2		R3x175	2		R3x175	2				
R3x66	12		R3x176	2		R3x176	2				
R3x128	2		R320	4		R320	4				
R3x172	8		PS-2 SS	1		PS-2 SS	1				
R4x124	6		R4x18	16		R4x18	16				
FLOOR DRAIN	2		B.O. PARTIAL 3'x8'x2" DP	1		B.O. PARTIAL 3'x8'x2" DP	1				
B.O. 1'-10" x 2'-8"	2		B.O. 5" DIA	1		ROUND MUD RING	2				
			4x4 J-BOX	4		4x4 J-BOX	4				
			ROUND MUD RING	2							
			TEX. B.O. 13'x13"	1							
MARINE PACKAGE			MARINE PACKAGE			MARINE PACKAGE					
CU. FT. CONC.	115.0 (4.26)	SQ. FT. W.W.F.	572	CU. FT. CONC.	67.9 (2.52)	SQ. FT. W.W.F.	346	CU. FT. CONC.	68.0 (2.52)	SQ. FT. W.W.F.	346
APPROXIMATE WEIGHT	17,252			APPROXIMATE WEIGHT	10,191			APPROXIMATE WEIGHT	10,199		



LB Foster
CXT® Products

6707 E. Flamingo Ave. Bldg. 300, Nemo, ID 83687
301 N. Highway 77 Hillsboro, TX 76645
362 Waverly Road Williamstown, WV 26187

RECEIVED
DAKOTA
BUILDING NUMBER DK-110

NOTICE
The information contained herein is proprietary and the exclusive property of CXT Incorporated. The information may only be used by the original recipient for the purpose intended. Reproduction or distribution of this information is strictly prohibited without the prior written consent of CXT Incorporated. By altering use of this information, CXT Incorporated grants no warranty, express or implied, including a warranty of merchantability or of fitness for a particular purpose.

CXT Incorporated			
1	ADDED DOOR STOPS	1/10/24	10-17-23
REV.	DESCRIPTION	DATE	BY
SCALE	1/8" = 1'-0"	DATE	10-18-23
DRAWN	LOGG	FILE NO.	DK-110
CHECKED	N/PNER	PILOT	-

EMBEDDED MATERIALS

DWG NO.	DK-25	SHEET	25	REV.	1
---------	-------	-------	----	------	---