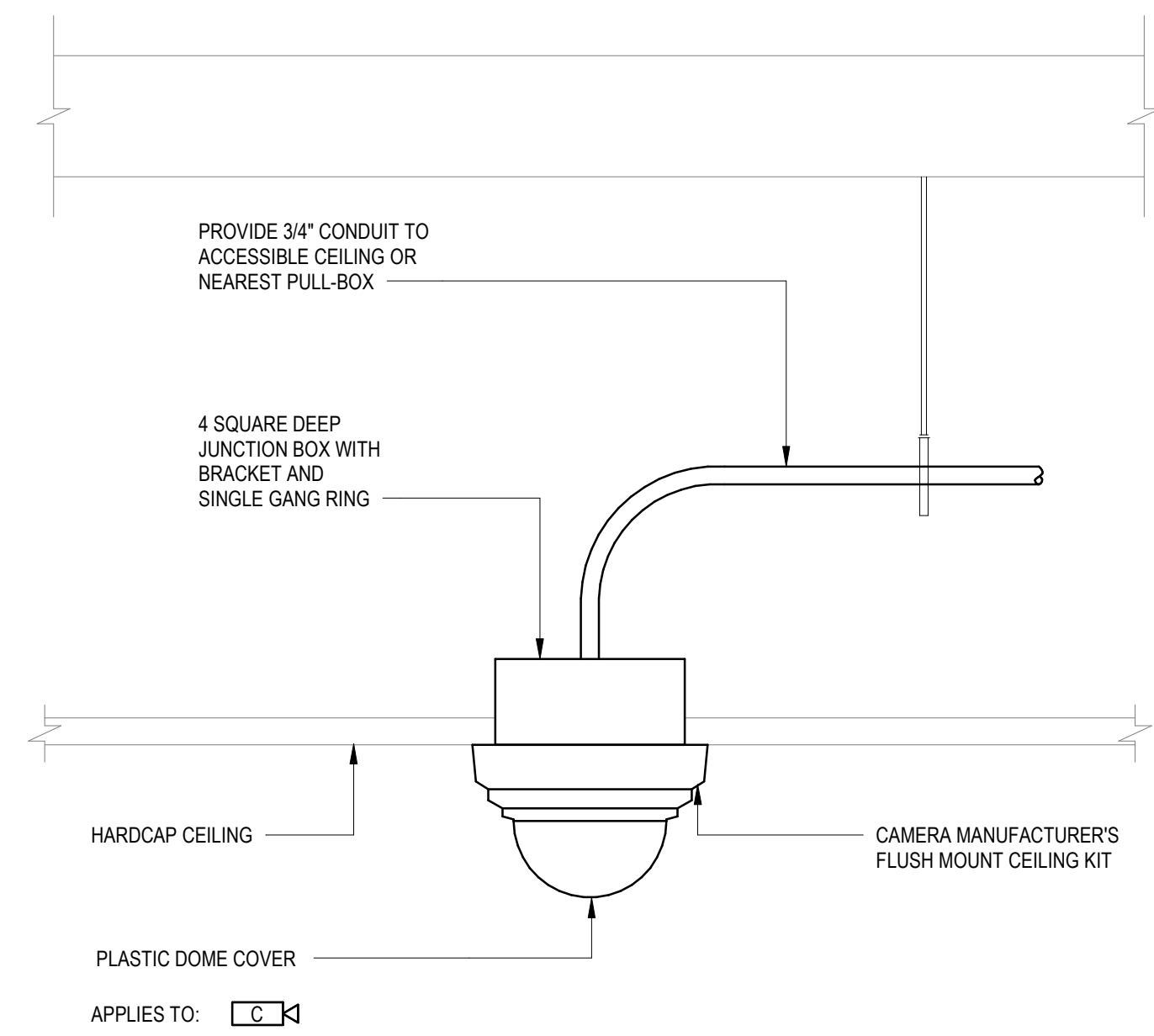
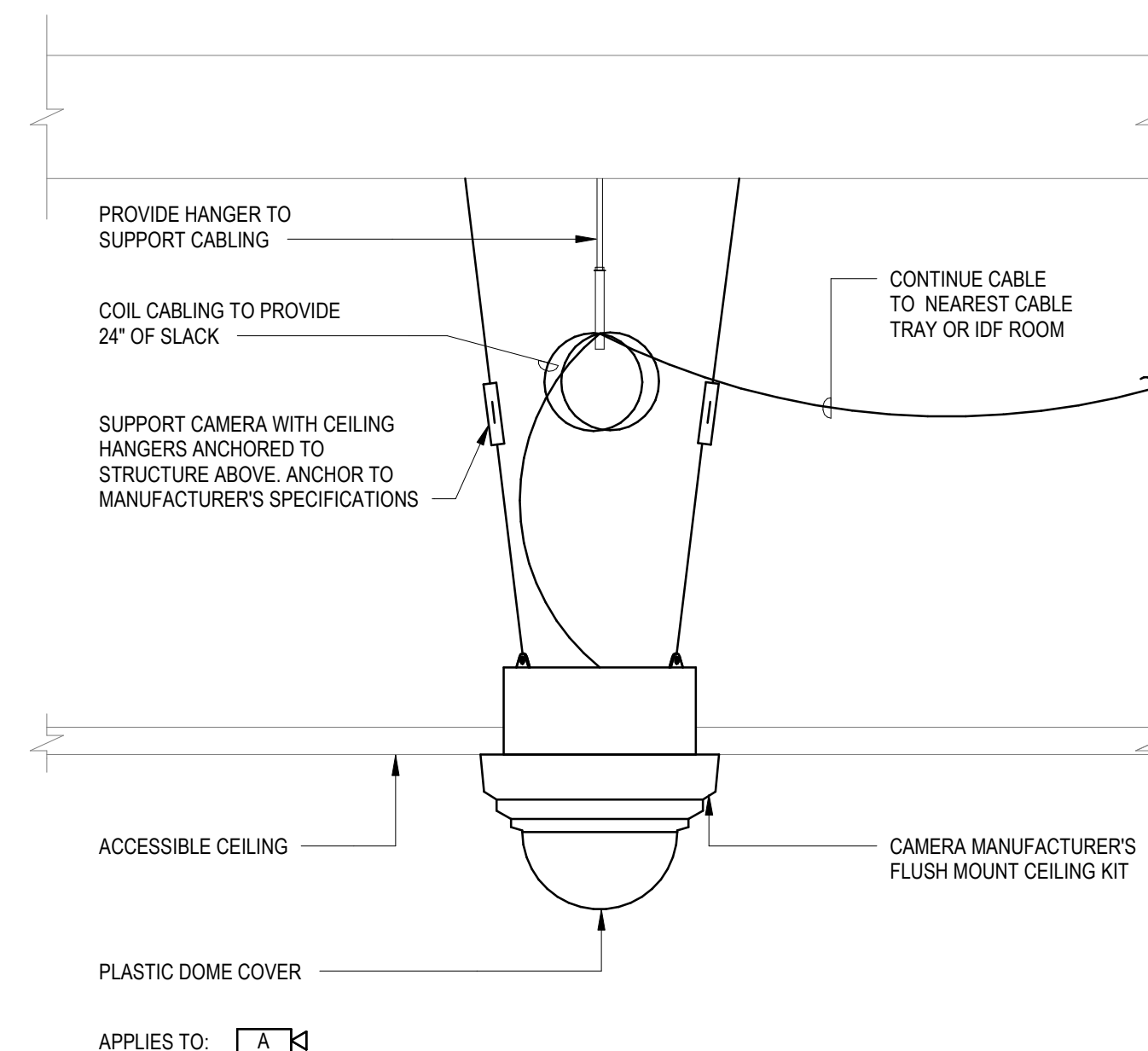


THEORY OF OPERATION:
 - DOOR IS LOCKED AT ALL TIMES.
 - ALARM IS BYPASSED ON SCHEDULE DURING DAY.
 - AFTER HOURS ALARM IS ENABLES.

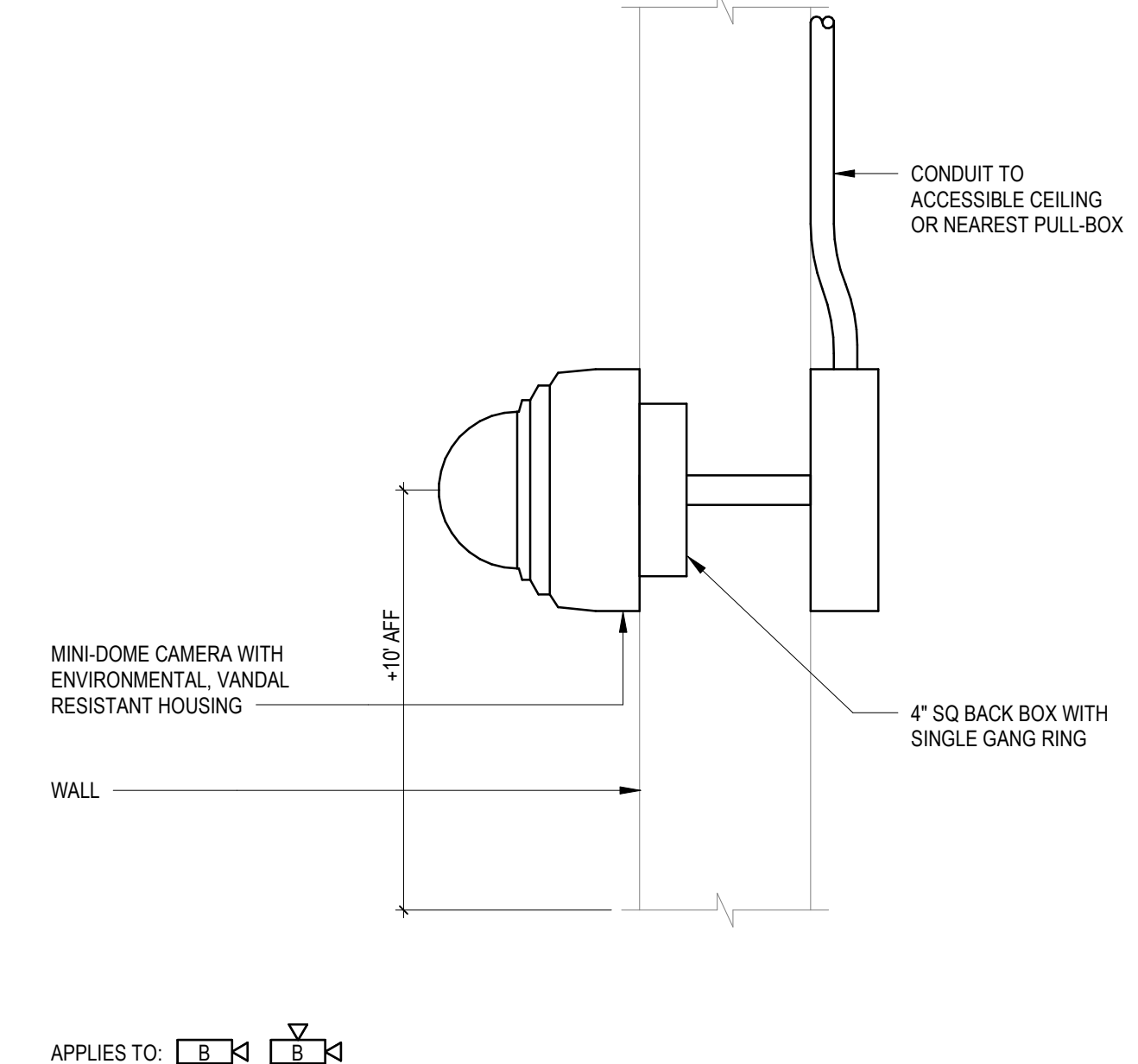
4 MONITORED SINGLE DOOR
 SCALE: NONE



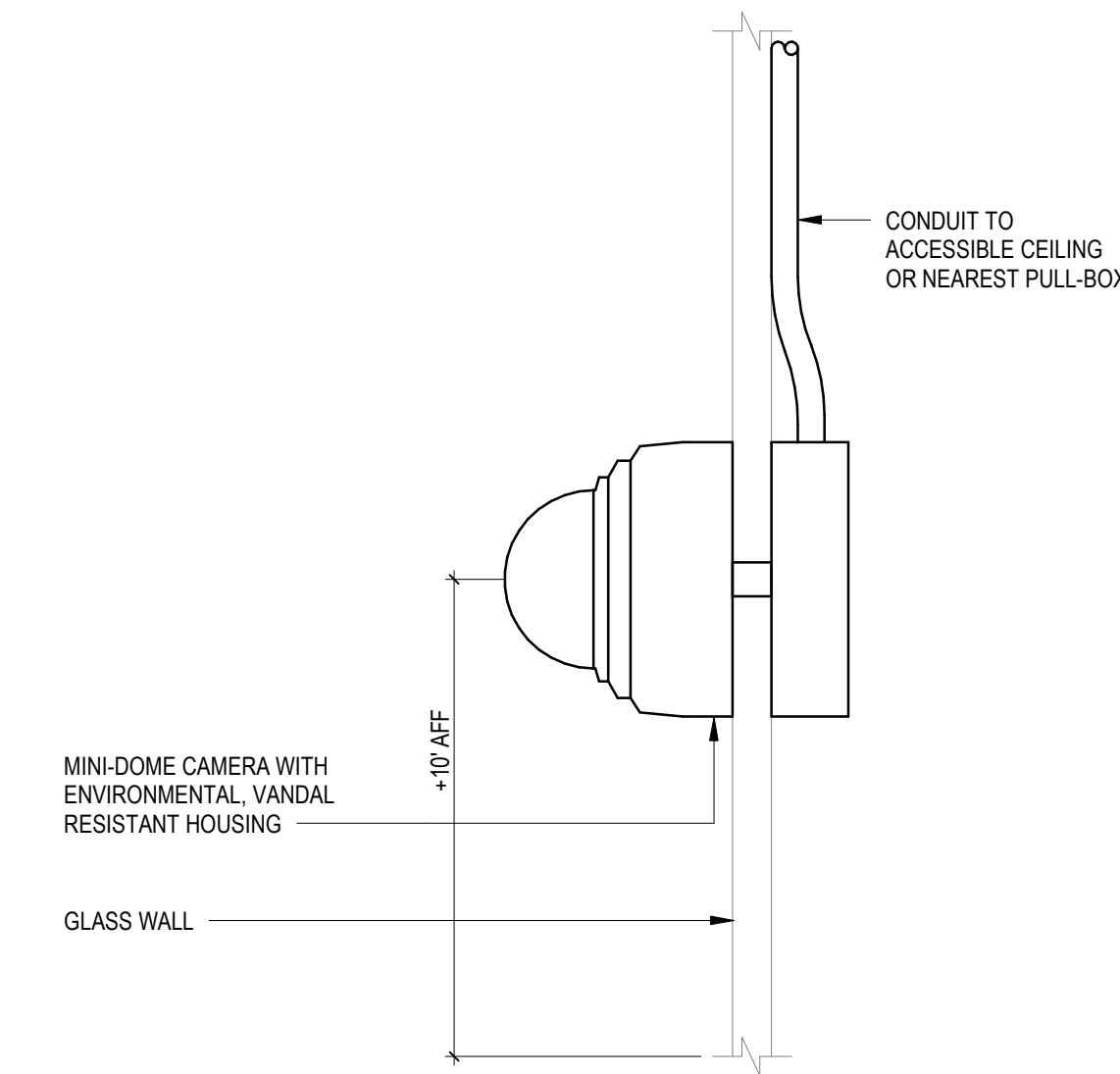
3 INTERIOR IP CAMERA (NON-ACCESSIBLE CEILING)
 SCALE: NONE



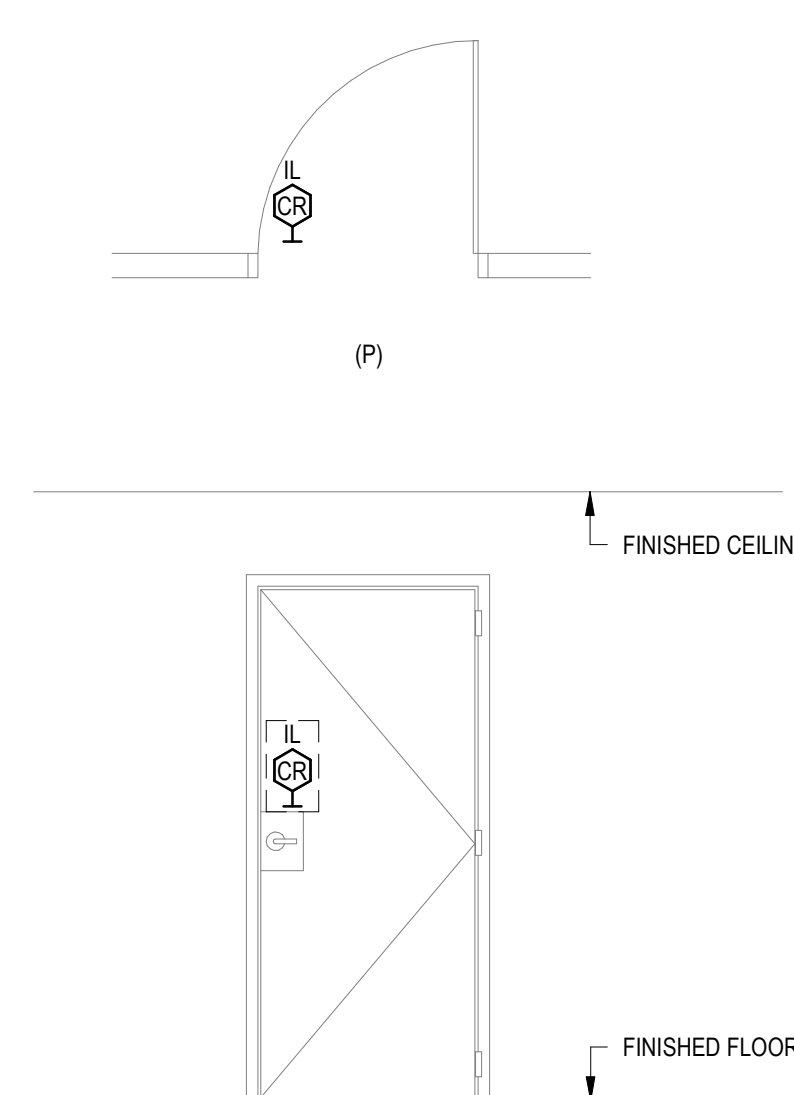
2 CAMERA INTERIOR FLUSH MOUNT
 SCALE: NONE



1 CAMERA EXTERIOR WALL MOUNT
 SCALE: NONE

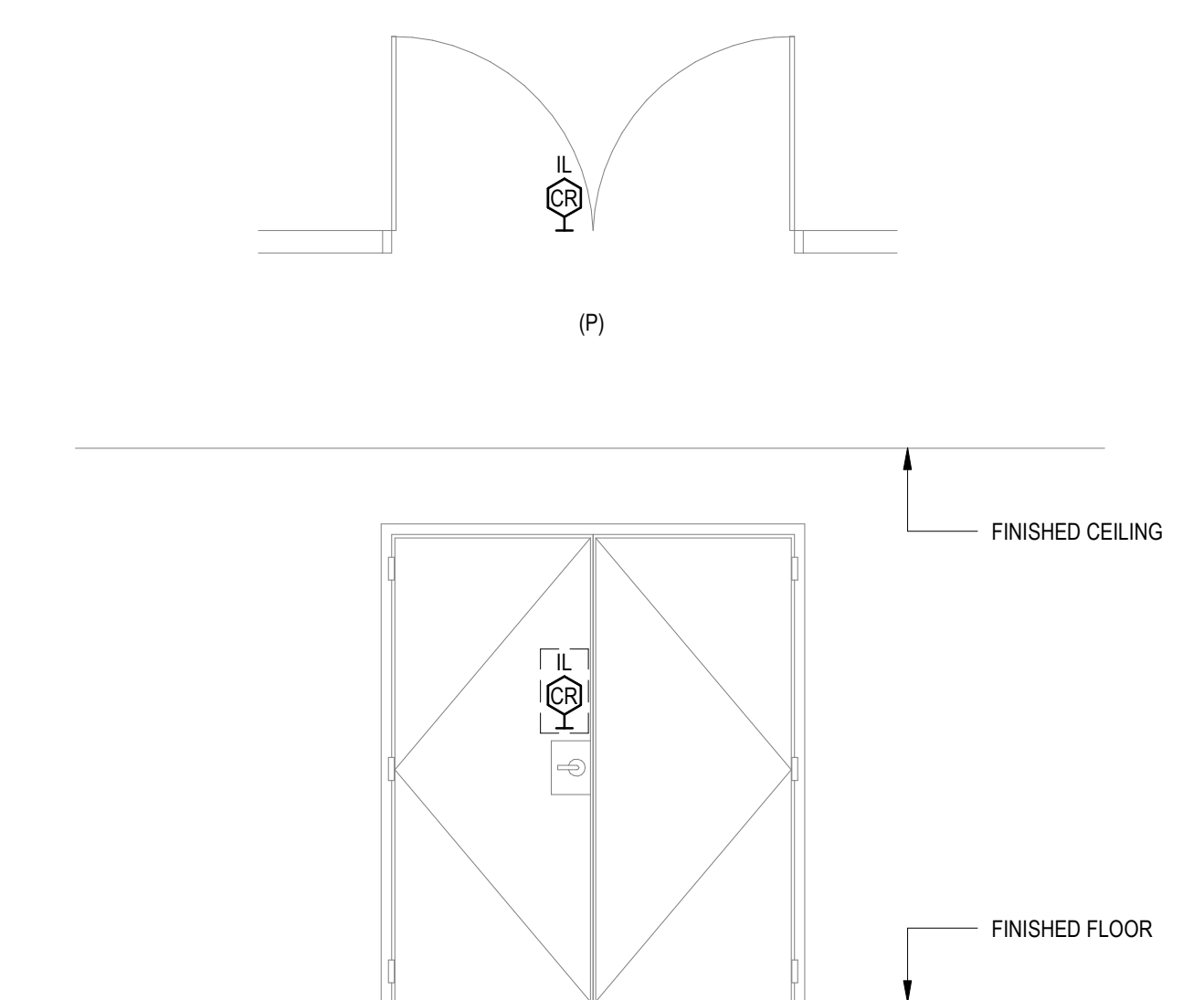


7 CAMERA EXTERIOR GLASS WALL MOUNT
 SCALE: NONE



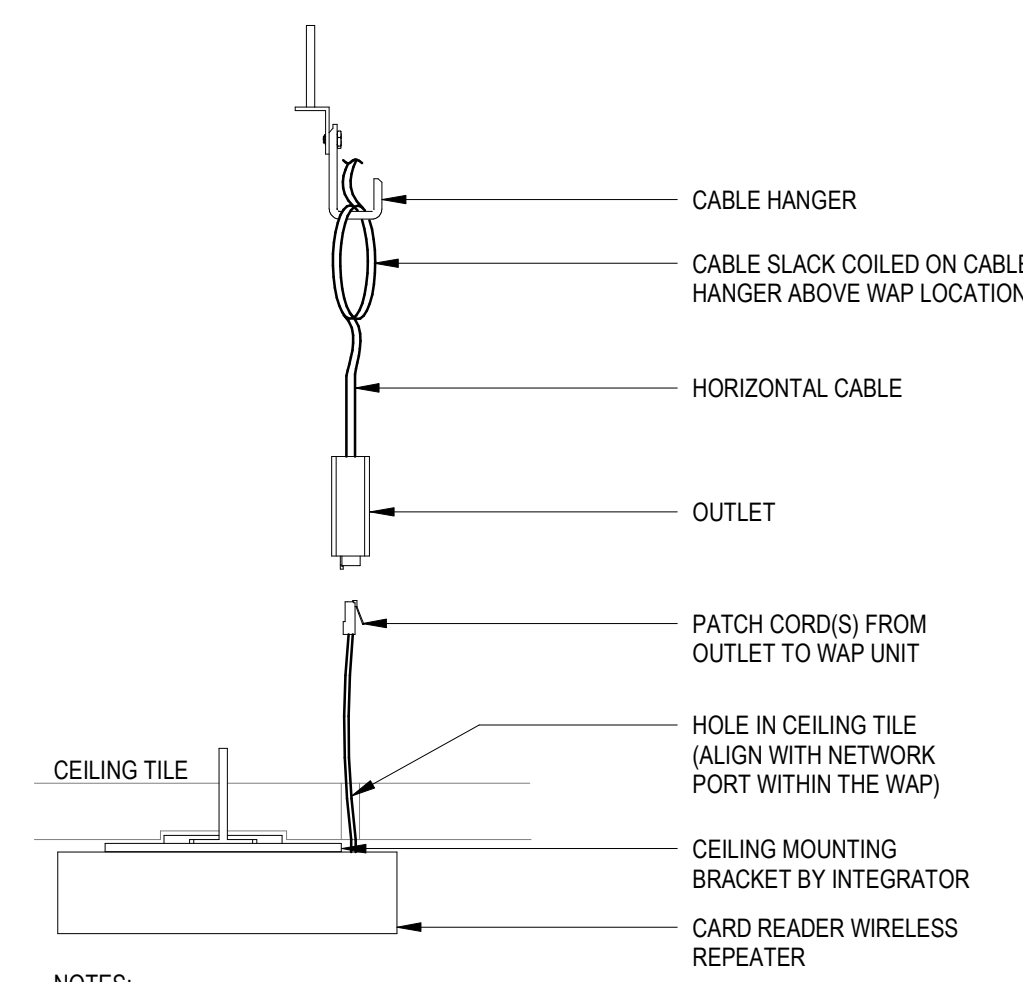
THEORY OF OPERATION:
 - NORMAL DOOR STATE IS CLOSED AT ALL TIMES.
 - DOOR IS LOCKED ON THE NON-PROTECTED SIDE AND UNLOCKED ON THE PROTECTED SIDE.
 - TO OPEN DOOR FROM NON-PROTECTED SIDE, CARD MUST BE PRESENTED TO UNLOCK DOOR.
 - DOOR CONTACT AND REQUEST-TO-EXIT SENSOR BUILT INTO INTEGRATED CARD READER.

6 CARD READER SINGLE W/ ELECTRIC LOCK
 SCALE: NONE



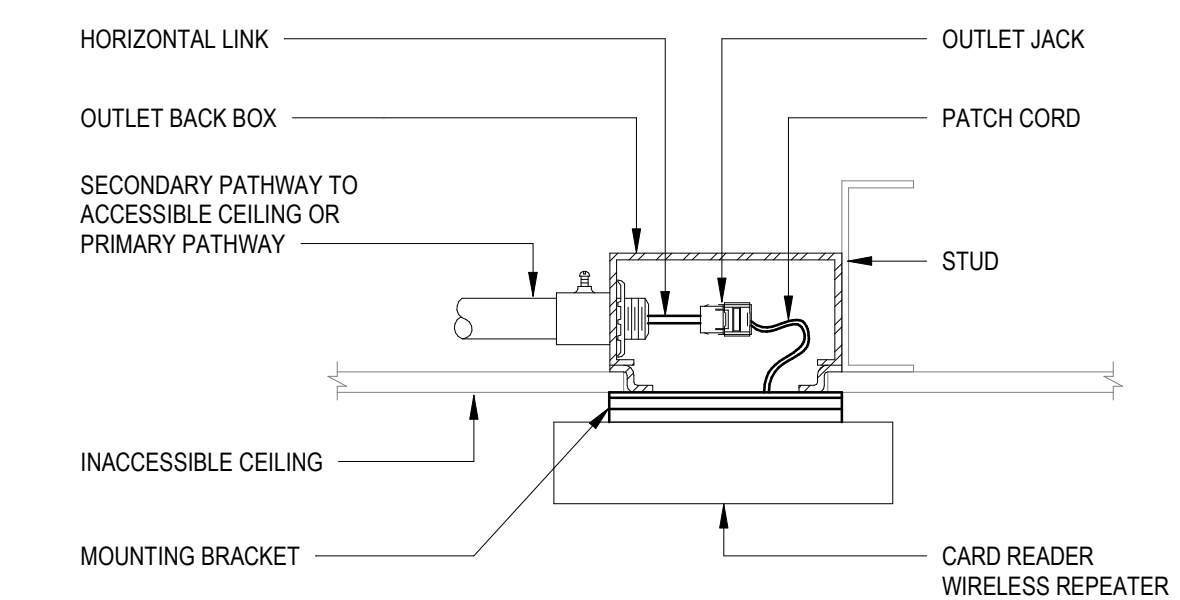
THEORY OF OPERATION:
 - NORMAL DOOR STATE IS CLOSED AND LOCKED AT ALL TIMES.
 - DOOR IS LOCKED ON THE NON-PROTECTED SIDE AND UNLOCKED ON THE PROTECTED SIDE.
 - TO OPEN DOOR FROM NON-PROTECTED SIDE, CARD MUST BE PRESENTED TO UNLOCK DOOR.
 - REQUEST TO EXIT MOTION SENSOR BYPASSES ALARM ONLY ON EXIT.
 - DOOR CONTACT AND REQUEST-TO-EXIT SENSOR BUILT INTO INTEGRATED CARD READER.

5 CARD READER PAIR W/ ELECTRIC LOCK
 SCALE: NONE



NOTES:
 1. LOCATE OUTLET AND CABLE HANGER IN AN ACCESSIBLE LOCATION.
 2. REFER TO THE OUTLET SCHEDULE FOR OUTLET CONFIGURATION REQUIREMENTS.
 3. REFER TO PLANS FOR OUTLET LOCATIONS.

10 CARD READER WIRELESS REPEATER- CLG GRID-MT
 SCALE: NONE



NOTES:
 1. REFER TO OUTLET SCHEDULES FOR OUTLET AND PATCH CORD REQUIREMENTS.
 2. REFER TO PLANS FOR OUTLET/DEVICE LOCATIONS.

9 CARD READER WIRELESS REPEATER - CLG SRF-MT, INACCESSIBLE CLG
 SCALE: NONE

ISSUE DATE	03/31/2023
NAT. JOB NUMBER	21942
REVISIONS:	
DATE	DESCRIPTION
3 05/16/2024	Addendum No. 03