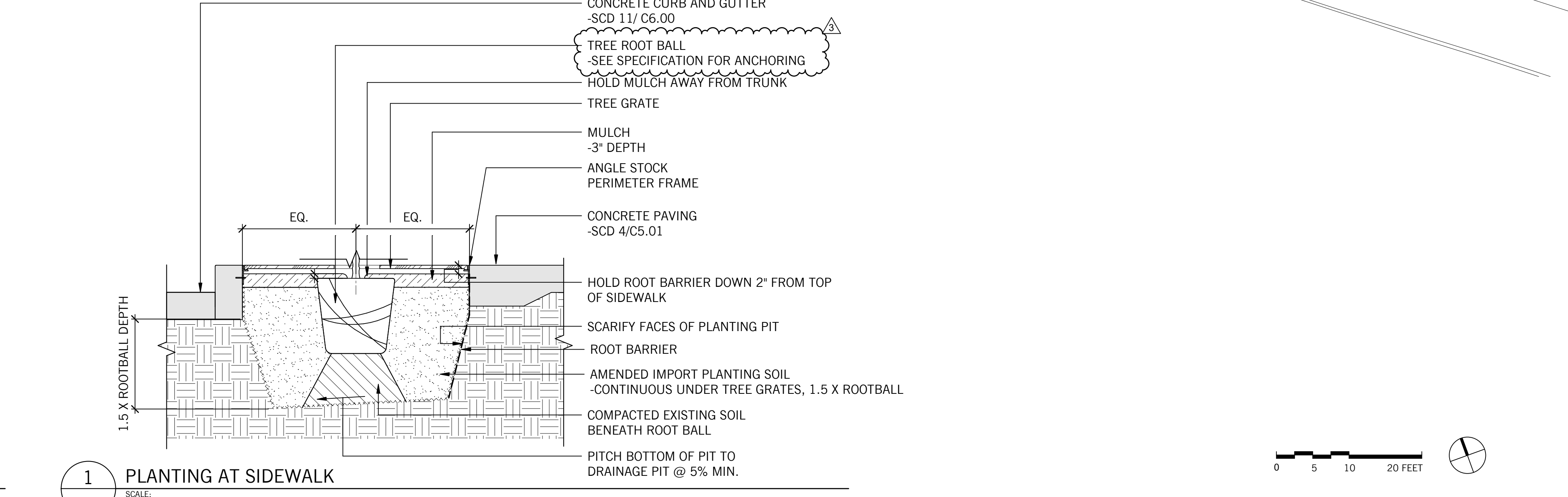
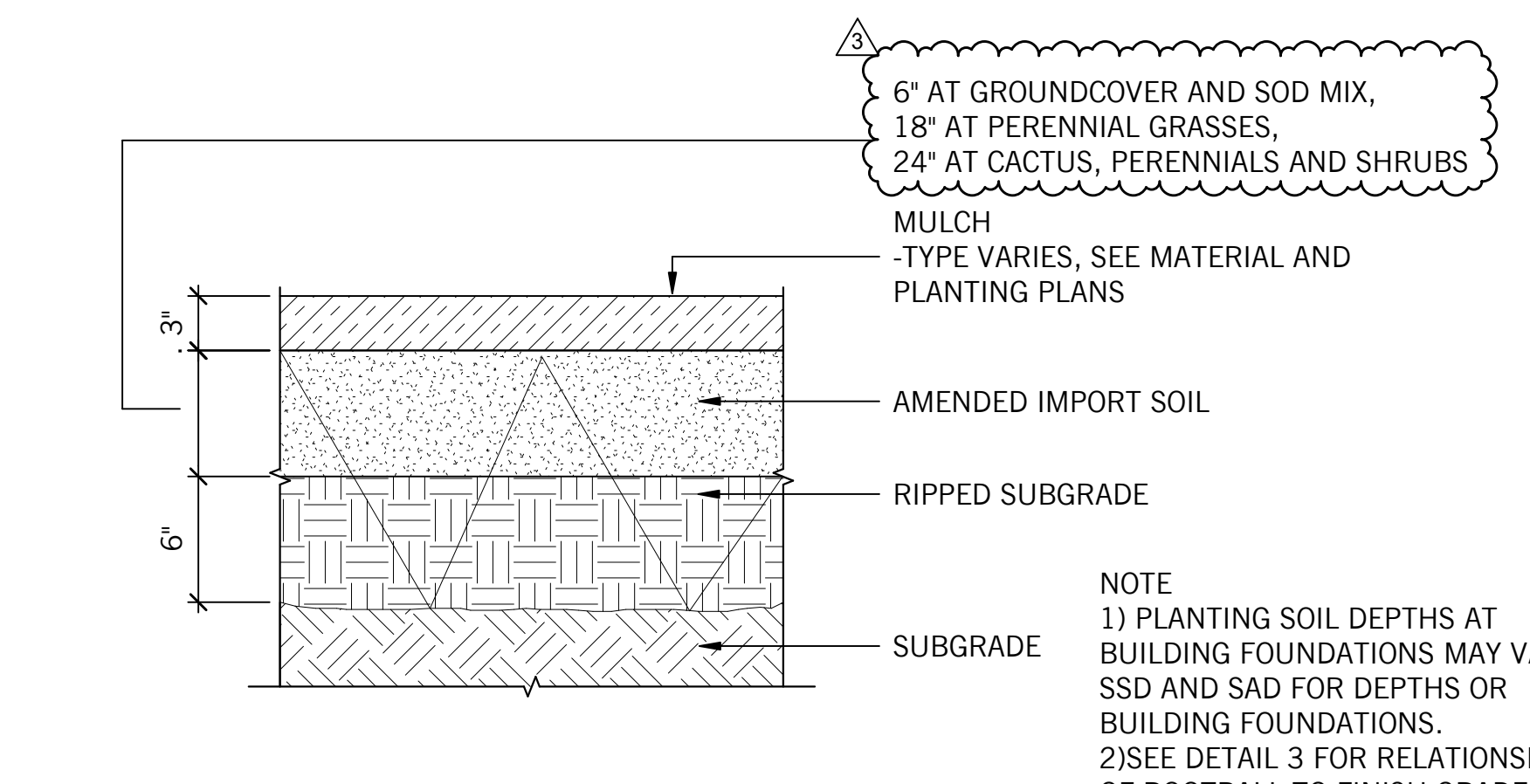
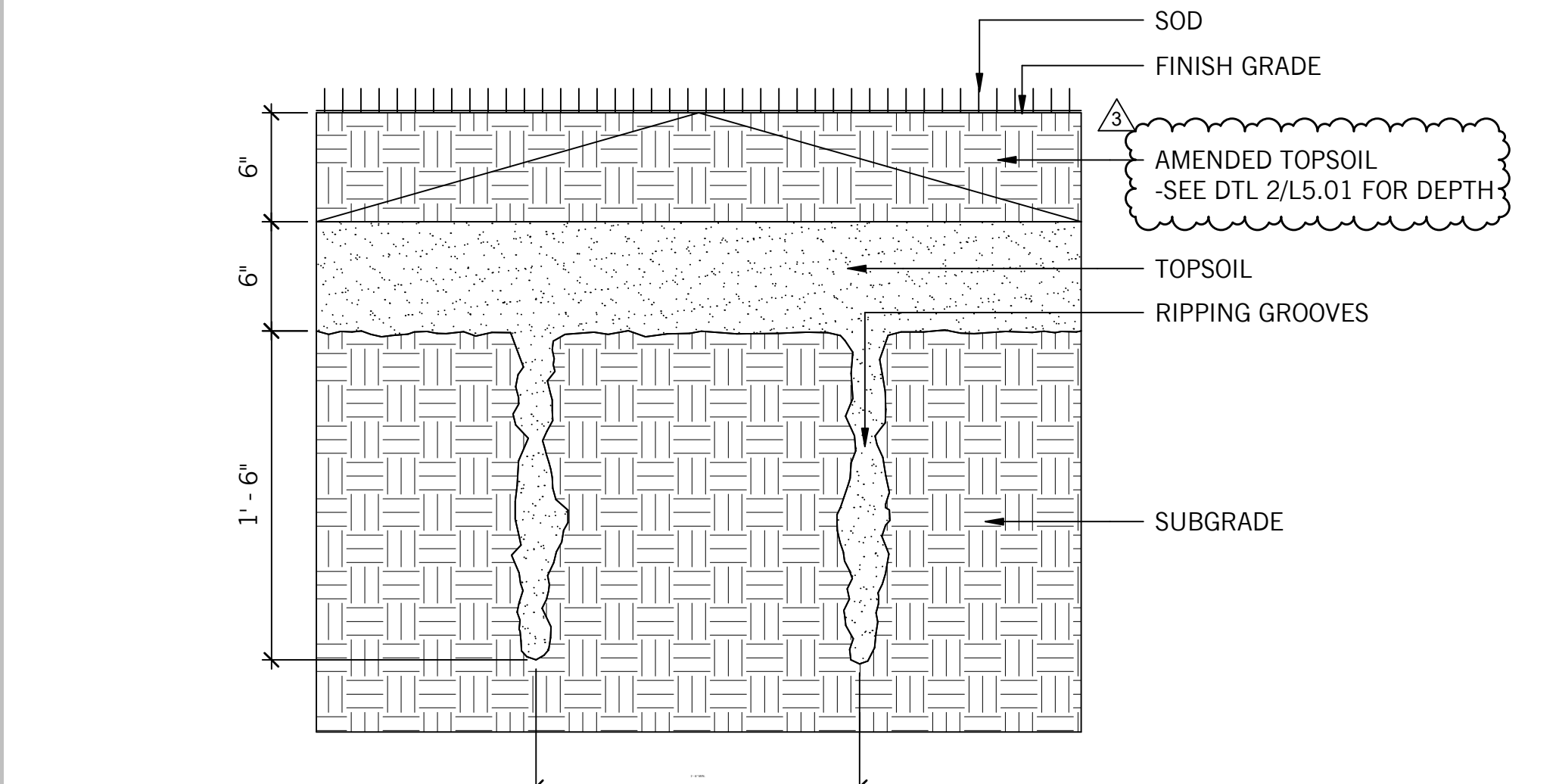
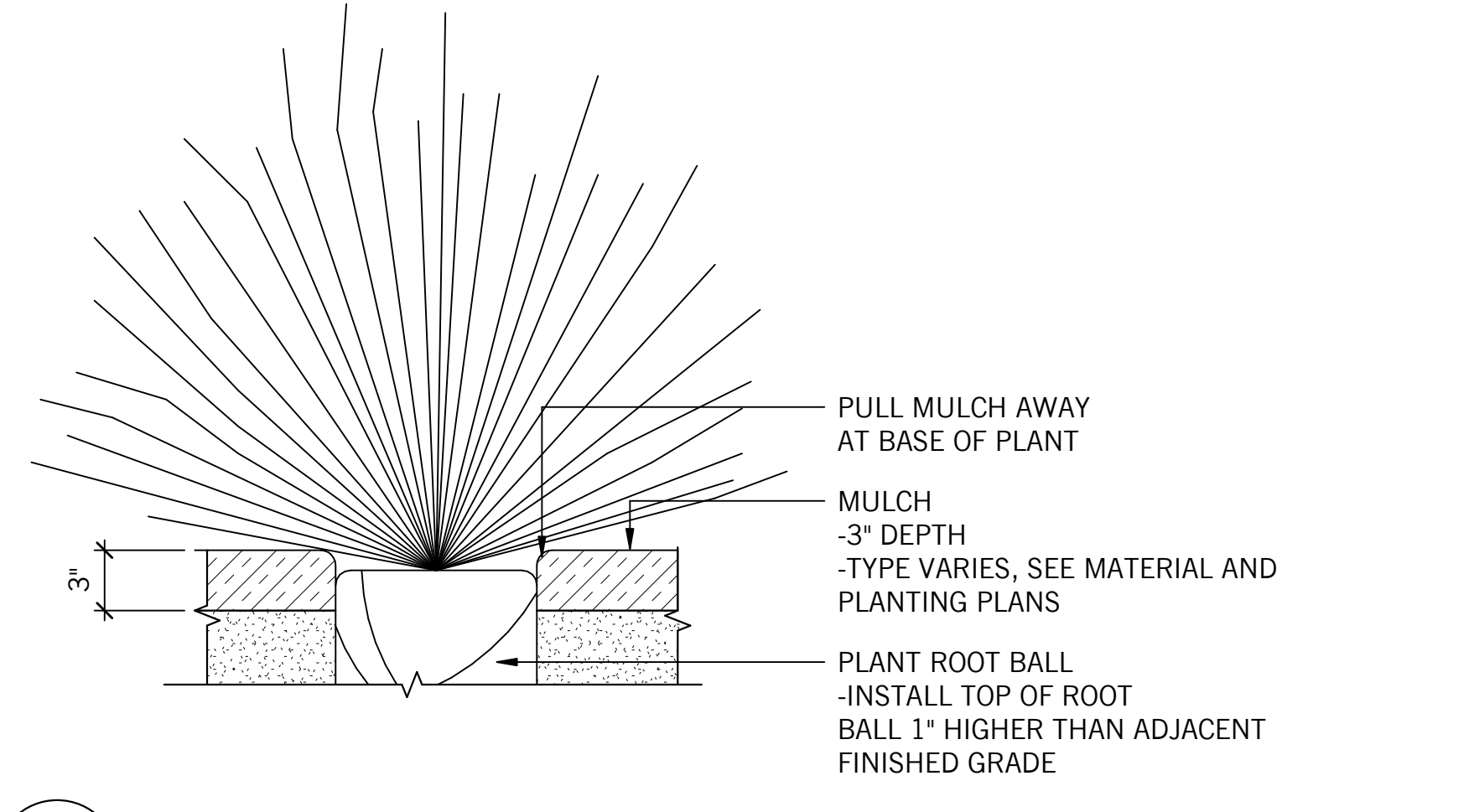
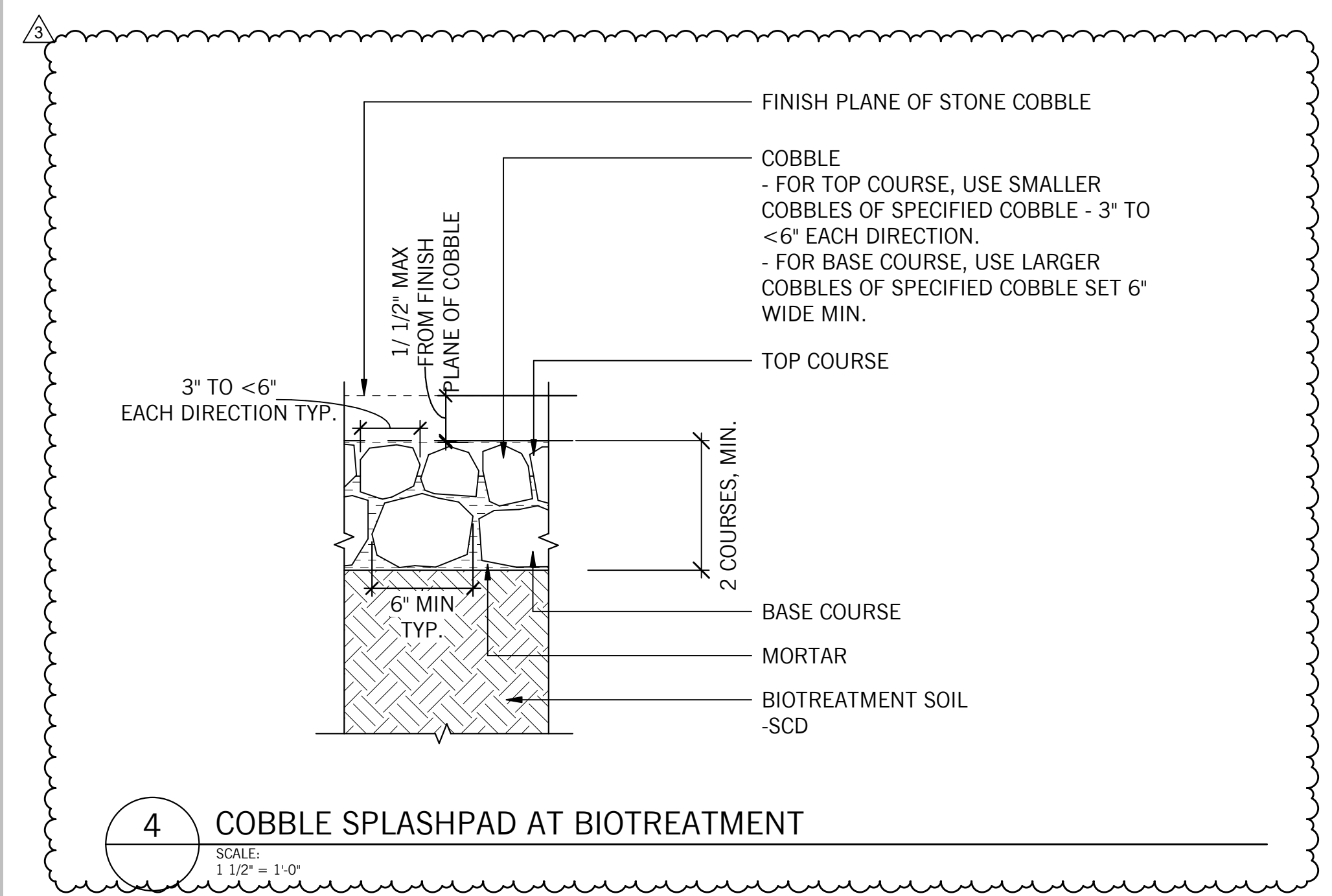
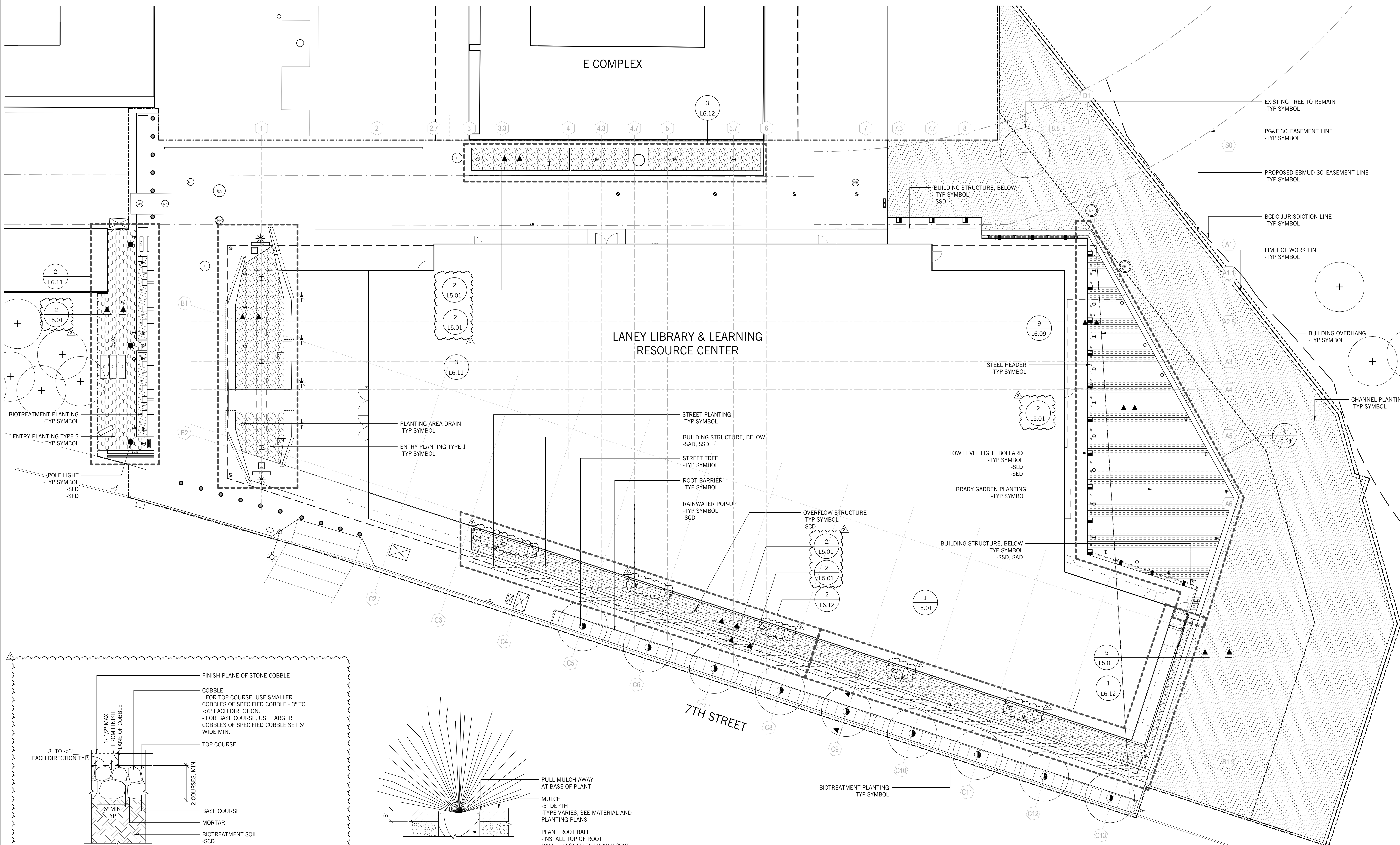


LANEY LIBRARY & LEARNING RESOURCE CENTER



APPROVALS

**NOLL & TAM**  
ARCHITECTS

729 Heinz Avenue  
Berkeley, CA 94710  
tel 510.542.2200  
fax 510.542.2201

**CAVAGNERO**  
MARK CAVAGNERO ASSOCIATES ARCHITECTS  
1645 Sutter Street, Suite 200  
San Francisco, California 94111  
P: 415.398.6514  
www.cavagnero.com

SEAL

LANDSCAPE ARCHITECT  
STATE OF CALIFORNIA

**MANTLE**  
LANDSCAPE ARCHITECTURE

986 OVERLOOK RD.  
BERKELEY, CA, 94708  
T: 510.927.3200  
WWW.MANTLELA.COM

PROJECT TITLE

**Peralta Community College District  
Laney Library & Learning Resource Center  
(Building 100 Replacement)**

900 Fallon Street, Oakland, CA 94607

ISSUE FOR BID

ISSUE DATE: 03/1/2023  
SHEET JOB NUMBER: 2192  
REVISIONS:  
3 05/16/2024 ADDENDUM 03

DRAWN BY: SH CHECKED BY: RS  
SHEET TITLE: **LANDSCAPE PLANTING PLAN**

SHEET NUMBER: **L5.01**

S:\142024\11-43-19-AM - Autodesk Docs\PCDD-Laney Library\_L501PCDD-Laney Library\_L501\_LANDSCAPE\_2024.rvt